

Wall-Mount Bracket

Installation Information	GB
Informations d'installation	FR
Información de instalación	ES
Installationsinformationen	DE
Installatie-informatie	NL
Informazioni sull'installazione	IT
Installationsinformation	SE
Informacje dotyczące instalacji	PL
Informações de instalação	PT
Oplysninger om montering	DK
Asennustiedot	FI
Installasjonsveiledning	NO
Πληροφορίες εγκατάστασης	GR
Montaj Bilgileri	TR
Szerelési információk	HU

Instalační informace	CZ
Informácie týkajúce sa montáže	SK
Informații de instalare	RO
Информация за монтаж	BG
Информация по установке	RU
Інформація про встановлення	UA
Raigaldusteave	EE
Uzstādīšanas informācija	LV
Montavimo informacija	LT
Navodila za uporabo	SI
Informacije za instalaciju	HR
Орнату ақпаратты	KZ
Informacije za montažu	SR
הוראות התקנה	HE

Installation Information for Using Sony Wall-Mount Bracket (SU-WL850)

Supported models*:

KD-75XH80xx / 65XH81xx / 65XH80xx / 55XH81xx / 55XH80xx

KE-75XH80xx / 65XH81xx / 65XH80xx / 55XH81xx / 55XH80xx

* In the actual model names, the "xx" indicates numbers and/or characters specific to each model.

To Customers

For product protection and safety reasons, Sony strongly recommends that installation of your TV be performed by Sony dealers or licensed contractors. Do not attempt to install it yourself.

To Sony Dealers and Contractors

Provide full attention to safety during the installation, periodic maintenance and examination of this product.

Sufficient expertise is required for installing this product, especially to determine the strength of the wall for withstanding the TV's weight. Be sure to entrust the attachment of this product to the wall to Sony dealers or licensed contractors and pay adequate attention to safety during the installation. Sony is not liable for any damage or injury caused by mishandling or improper installation.

For Safety and proper installation, follow the Wall-mount Bracket Operation Instructions, TV Setup Guide and the directions in this manual.

Wall-Mount Bracket

On Safety

Thank you for purchasing this product.

To Customers

Installing the TV to the Wall



WARNING

PROFESSIONAL INSTALLATION REQUIRED

This product should only be installed by a professional installer who is trained to determine the strength of the wall for withstanding the TV's weight. If it is not properly secured during installation, the TV may fall and cause serious injury. Sony is not liable for any damage or injury caused by mishandling or improper installation, or installing any other than the specified product. Your Statutory Rights (if any) are not affected.

To Sony dealers

Sufficient expertise is required for installing this product. Be sure to read this instruction manual thoroughly to do the installation work safely. Sony is not liable for any damages or injury caused by mishandling or improper installation. Please give this manual to the customer after installation.

This instruction manual shows the correct handling of the product and important precautions necessary to prevent accidents. It is your responsibility to read, thoroughly understand, and follow all instructions in this instruction manual. Failure to do so may result in serious personal injury or property damage, and may void the warranty. Keep this manual available for future reference.

Products by Sony are designed with safety in mind. If the products are used incorrectly, however, it may result in a serious injury through fire, electric shock, the product toppling over, or the product dropping. Be sure to observe the precautions for safety to prevent such accidents.

CAUTION

Specified products

This Wall-Mount Bracket is designed for use with the products specified TVs. For TVs, refer to their "Reference Guide" to verify that the Wall-Mount Bracket can be used.

To Customers

WARNING

If the following precautions are not observed, serious injury or death through fire, electric shock, or the product dropping can result.

Be sure to subcontract the installation to licensed contractors and keep small children away during the installation.

If the Wall-Mount Bracket or the TV is not installed correctly, the following accidents may occur. Be sure licensed contractors carry out installation.

- The TV may fall and cause a serious injury such as a bruise or a fracture.
- If the wall on which the Wall-Mount Bracket is installed is unstable, uneven, or not perpendicular to the floor, the unit may fall and cause injury or property damage. The wall should be capable of supporting a weight of at least six times the TV weight.
(Refer to your TV's "Reference Guide" for its weight.)
- If the installation of the Wall-Mount Bracket on the wall is not sufficiently sturdy, the unit may fall and cause injury or property damage.

Be sure to subcontract moving or dismantling of the TV to licensed contractors.

If persons other than licensed contractors transport or dismantle the TV, it may fall and cause injury or property damage. Be sure that two or more persons (three or more persons for 75 inches and above TV set) carry or dismantle the TV.

Do not remove screws, etc., after mounting the TV.

If you do so, the TV may fall and cause injury or property damage.

Do not make alterations to the parts of the Wall-Mount Bracket.

If you do so, the Wall-Mount Bracket may fall and cause injury or property damage.

Do not mount any equipment other than the specified product.

This Wall-Mount Bracket is designed for use with the specified product only. If you mount equipment other than specified, it may fall or break, and cause injury or property damage.

Do not apply any load other than the TV on the Wall-Mount Bracket. Do not shake the TV left/right, up/down.

If you do so, the TV may fall and cause injury or property damage.

Do not lean on or hang from the TV.

Do not lean on or hang from the TV as it may fall on you and cause serious injury.

CAUTION

If the following precautions are not observed, injury or property damage may occur.

- Be careful to not pinch your fingers while handling the Wall-Mount Bracket or swiveling the TV set.
- While swiveling the TV set, handle it with caution and take care not to hit any people nearby.
- Be sure to store the unused parts in a safe place for future use. Keep them away from children.

Do not handle the product with excessive force during cleaning or maintenance.

Do not apply excessive force on the top side of the TV. If you do so, the TV may fall and cause injury or property damage.

Precautions

- If you use the TV installed on the Wall-Mount Bracket for a long time, the wall behind or above the TV may become discolored or the wallpaper may come unstuck, depending on the material of the wall.
- If the Wall-Mount Bracket is removed after installing it on the wall, the screw holes are left.
- Do not use the Wall-Mount Bracket in a place where it is subjected to mechanical vibrations.

Installing the Wall-Mount Bracket

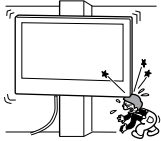
To Sony Dealers

WARNING

The following instructions are for Sony dealers only. Be sure to read safety precautions described above and pay special attention to safety during the installation, maintenance and checking of this product.

Do not install the Wall-Mount Bracket on wall surfaces where the corners or the sides of the TV protrude away from the wall surface.

Do not install the Wall-Mount Bracket on wall surfaces such as a pillar, where the corners or the sides of the TV protrude away from the wall surface. If a person or object happens to hit the protruded corner or side of the TV, it may cause injury or property damage.

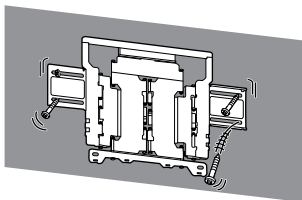


Do not install the TV over or under an air-conditioner.

If the TV is exposed to water leaks or air current from an air conditioner for a long time, it may cause a fire, an electric shock or a malfunction of the TV.

Be sure to install the Wall-Mount Bracket securely to the wall following the instructions in this instruction manual.

If any of the screws are loose or fall out, the Wall-Mount Bracket may fall and cause injury or property damage. Be sure to use the appropriate screws for the material of the wall and install the unit securely using four screws of 8 mm diameter (or equivalent).



Be sure to use the supplied screws and attachment parts properly following the instructions given in this instruction manual. If you use substitute items, the TV may fall and cause bodily injury to someone or damage to the TV.



The screws needed to secure the Wall-Mount Bracket to the wall are not supplied.

Use the appropriate screws for the wall material and structure when mounting the Wall-Mount Bracket.

Be sure to assemble the bracket properly following the instructed procedure explained in this instruction manual.

If any of the screws are loose or fall out, the TV may fall and cause bodily injury to someone or damage to the TV.

Be sure to tighten the screws securely in the designated position.

If you fail to do so, the TV may fall and cause bodily injury to someone or damage to the TV.

Be careful not to subject the TV to shock during installation.

If the TV is exposed to shock, it may fall or break apart. This may cause injury.

Be sure to install the TV on a wall that is both perpendicular and flat.

If you fail to do so, the TV may fall and cause injury.

After proper installation of the TV, secure the cables properly.

If people or objects get tangled with cables, this may result in injury or damage to the TV.

Do not allow the mains lead or the connecting cable to be pinched.

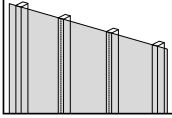
If the mains lead or the connecting cable is pinched between the unit and the wall or is bent or twisted by force, the internal conductors may become exposed and cause a short circuit or an electrical break. This may cause a fire or an electric shock.

Before getting started

Firstly, check the type of the wall to install the TV.

What is your wall made of?

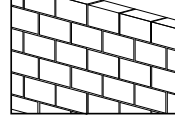
Dry wall with studs



Precautions

- Maximum dry wall thickness: 16 mm.
- Ensure that the inner wood stud size is at least 51 x 102 mm for common or 38 x 89 mm for nominal.
- Keep minimum 406 mm horizontal space between fasteners.

Solid Concrete or Concrete Block



Precautions

- Mount the Wall-Mount Bracket directly onto the solid concrete wall.
- Ensure that the thickness of solid concrete wall is at least 203 mm.
- Ensure that the size of each concrete block is at least 203 x 203 x 406 mm.

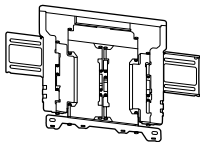

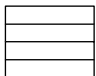

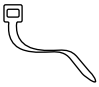
Preparing for installation

- Have the TV's Reference Guide and Setup Guide at hand before installation.
- Confirm the installing position of your TV.
- Prepare four screws of 8 mm diameter and four proper washers (not supplied).
Select screws suitable for the material of the wall.

Checking the parts

Supplied with SU-WL850

- Verify that all the parts are included.



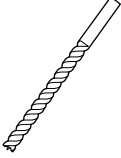
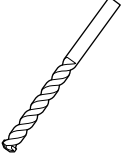
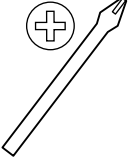



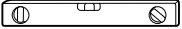
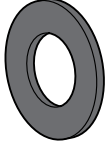

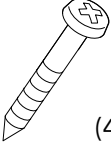
Ⓐ WM1 (1) 	Ⓑ WM2 (1) 
Ⓒ WM3 (4) 	Ⓓ M6 (4) 
Ⓔ WT1 (6) 	

Supplied with the TV

VS Wall-Mount Attachment (4) 
--



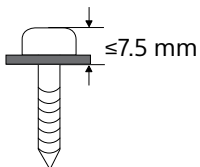
Tools needed

*1 		 5.5 mm	 10 mm 
*2 		 1.5 N·m {15 kgf·cm}	
*3  (4)	*2  (4)	*3  (4) 8 mm x 60 mm	

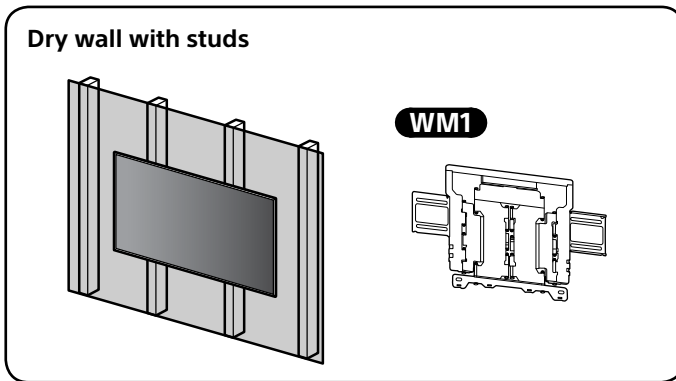
*1 Only for dry wall with studs

*2 Only for solid concrete or concrete block

*3 Be careful when selecting screws and washers



A Attaching TV to the Dry Wall with Studs

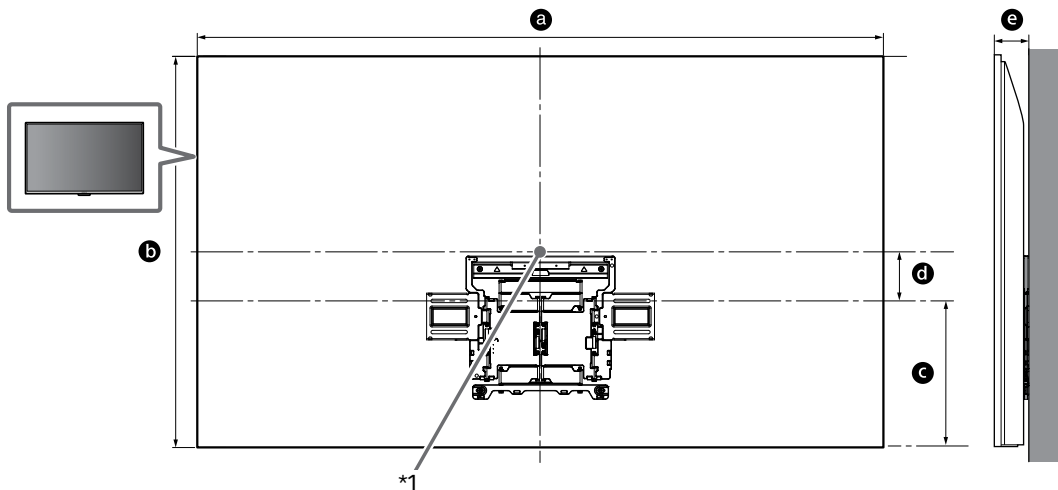


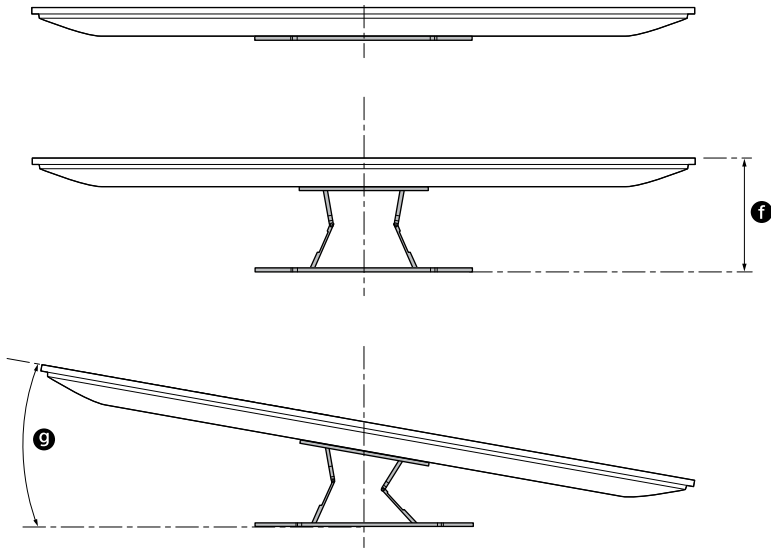
Installing the Wall-Mount Bracket to the wall

1 Decide on the installation location.

Make sure that the wall has enough space for the TV and is capable of supporting a weight of at least six times that of the TV.

Refer to the following table on installing the TV to the wall. Refer to your TV's Reference Guide for the TV's weight.





(mm)

Model Name	a	b	c	d	e	f*2	g*2 (°)
KD-75XH80xx	1,686	969	364	123	86	288	15
KE-75XH80xx							
KD-65XH81xx	1,462	841	365	59	83	287	18
KE-65XH81xx							
KD-65XH80xx							
KE-65XH80xx							
KD-55XH81xx	1,243	718	365	3	83	287	20
KE-55XH81xx							
KD-55XH80xx							
KE-55XH80xx							

GB

TV installation dimensions table (mm)

Figures in the table may differ slightly depending on the installation.

*1 (Screen centre point)

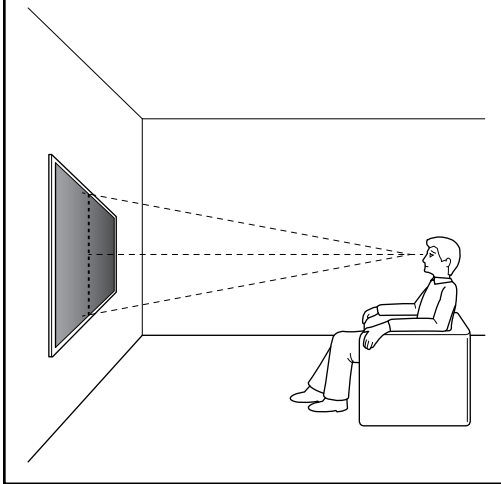
*2 (Approx.)

Note

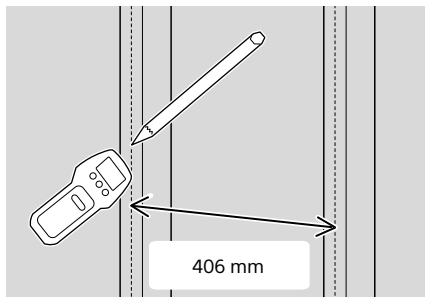
- When your TV is installed on the wall, the upper side of the TV slightly leans forward.

Note

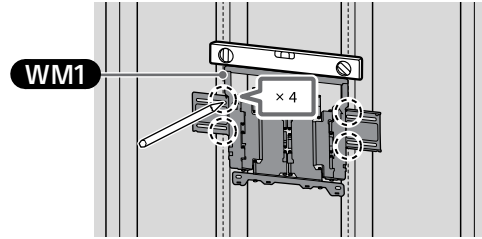
- We recommend you to check the position of TV in the viewing environment.



2



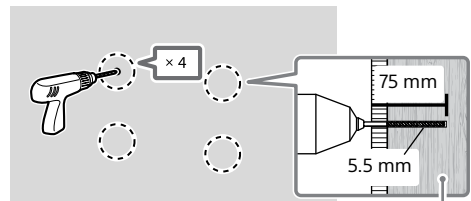
- 3 Align **WM1** to the wall and make four marks aligned with the studs.



Note

- Use a level to check whether **WM1** is level.

- 4 Drill upper pilot holes on the marks.

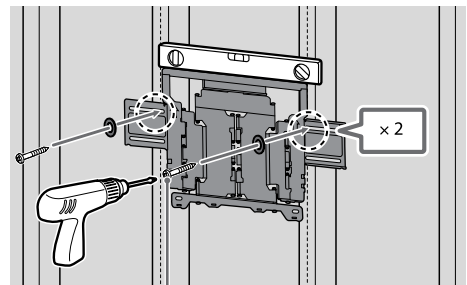


Stud or Reinforcement

Note

- Pilot holes must be drilled to a depth of 75 mm, using a 5.5 mm diameter drill bit.

- 5 Install **WM1** on the wall using suitable screws (not supplied) and washers (not supplied).



8 mm x 60 mm

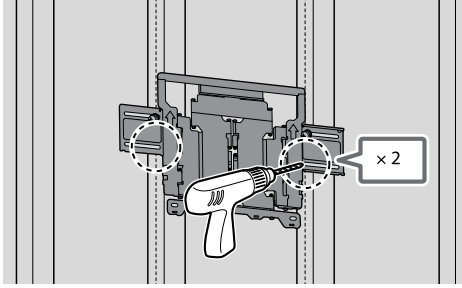
Note

- Use a level to check whether **WM1** is level.

Precaution

- Do not over-tighten wooden screw 8 mm x 60 mm. Improper tightening could reduce the holding power of wooden screw 8 mm x 60 mm.

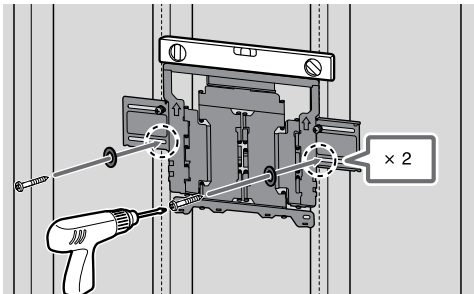
- 6 Drill lower pilot holes on the marks. (Refer step 4 for the drill instruction.)



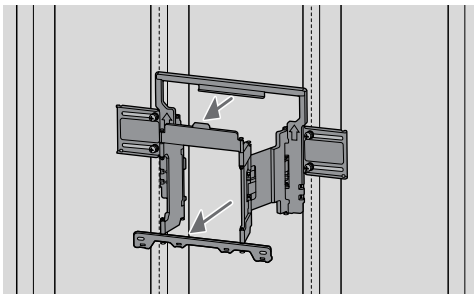
- 7 Fit the suitable screws and washers to the holes.

Note

- Use a level to check whether the Wall-Mount Bracket is level.

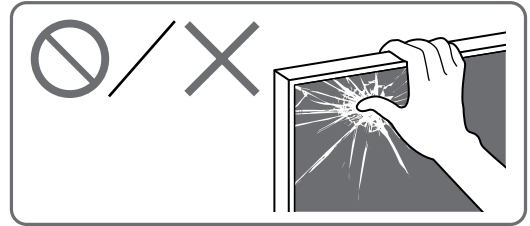


- 8 Pull out the arm of the bracket to the end.

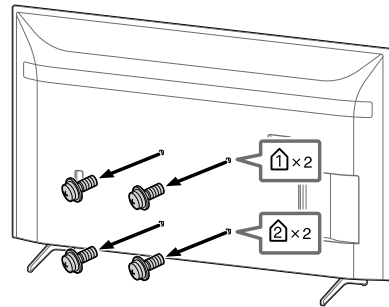


Preparing for the installation of the TV

Make sure to attach the Table-Top Stand before installing the TV to the wall by referring to the Setup Guide.



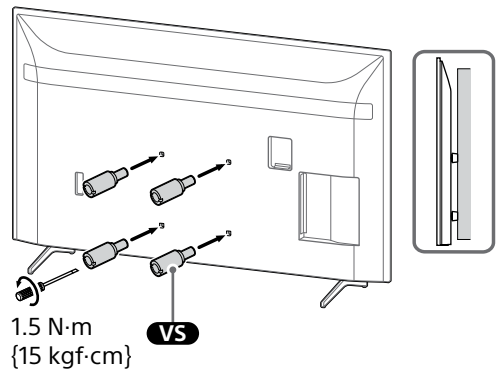
- 1 Remove the screws from the rear of the TV.



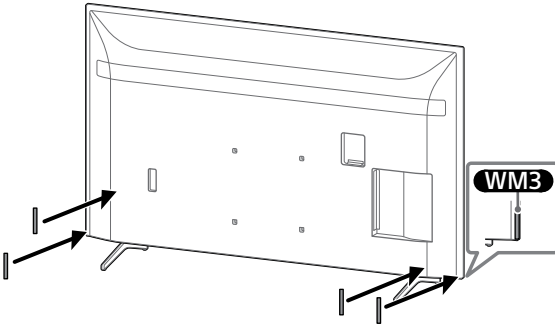
Note

- Be sure to store the removed screws and unused parts in a safe place, keeping them away from children.

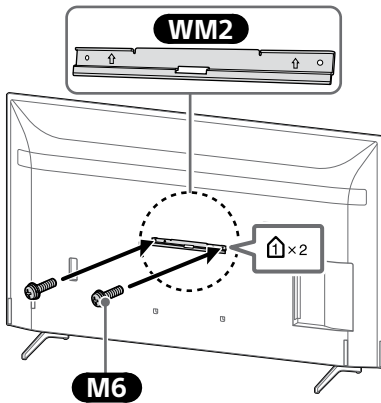
- 2 Attach the Wall-Mount Attachment (supplied with the TV) to the rear of the TV (to make it parallel with the wall).



3 Attach **WM3**.

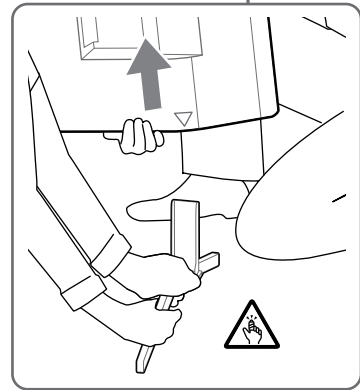
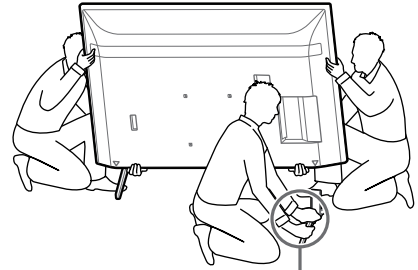


4 Attach the **WM2** to the TV using **M6**.



5 Detach the Table-Top Stand from the TV.

- Remove one side of the Table-Top Stand at a time. Firmly hold the Table-Top Stand securely with both hands while the other people lift up the TV.



- Repeat the previous step and remove the other side of the Table-Top Stand.

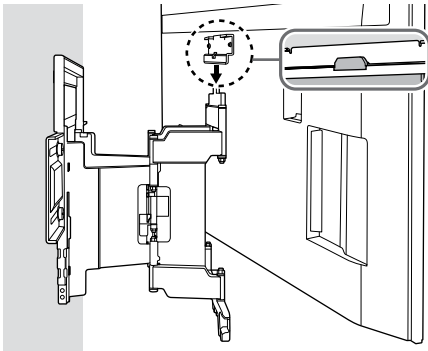
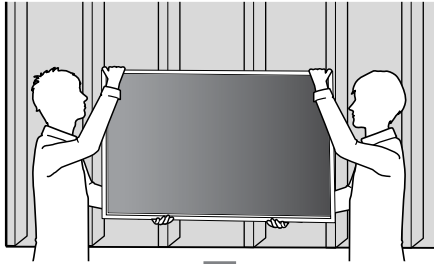
Note

- Three or more people are required to detach the Table-Top Stand.
- Be careful not to use excessive force while detaching the Table-Top Stand from the TV as it may cause the TV set to fall resulting in personal injury or physical damage to the TV.
- Take care when handling the Table-Top Stand to prevent damage to the TV.
- Be careful when lifting the TV as the Table-Top Stand is detached, the Table-Top Stand may topple over and cause personal injury.
- Take care when removing the Table-Top Stand from the TV to prevent it from falling over and damaging the surface that the TV is sitting on.

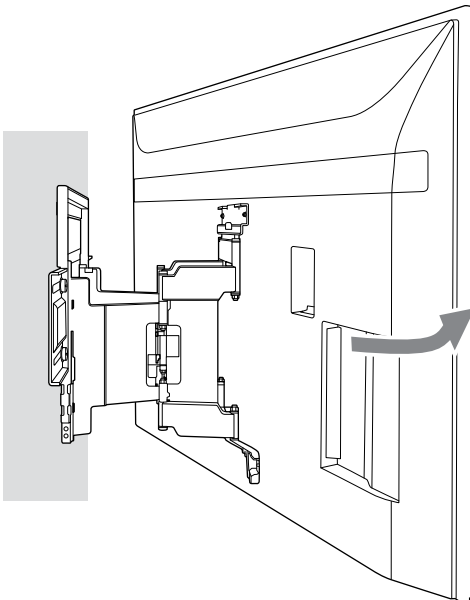
Installing the TV on the wall



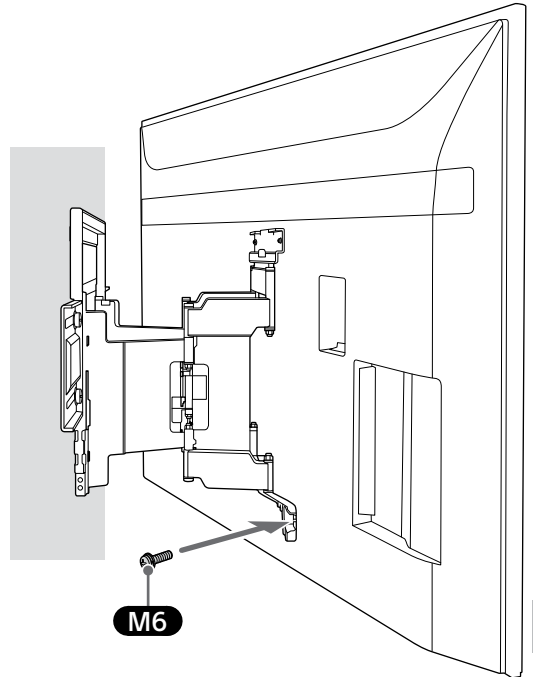
1



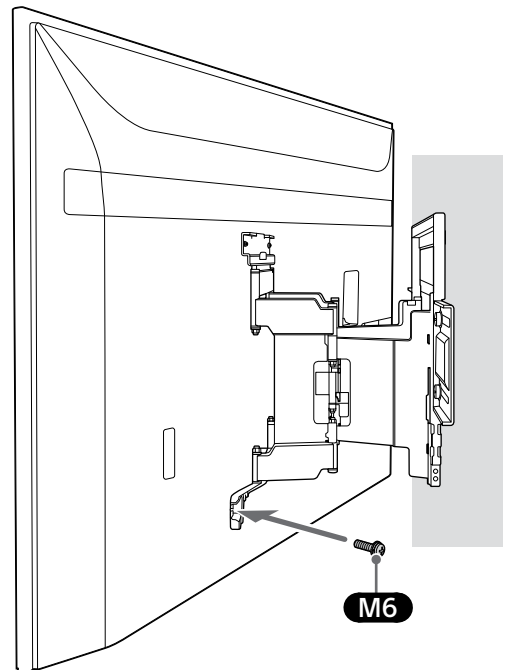
2



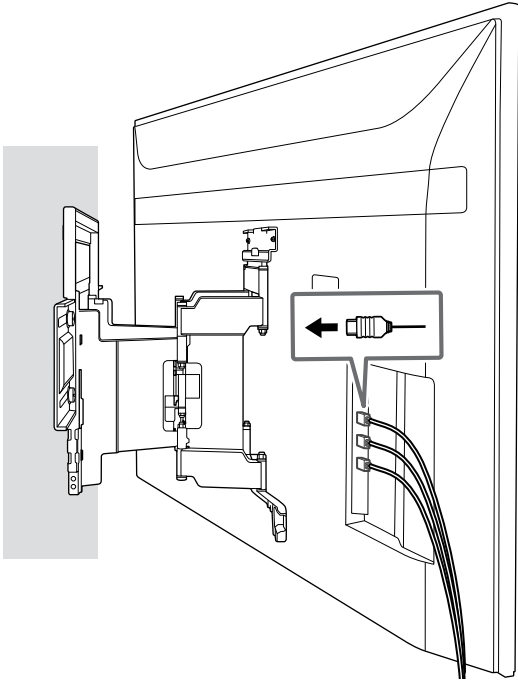
3 Screw the left and right side of the Wall-Mount Bracket.



GB

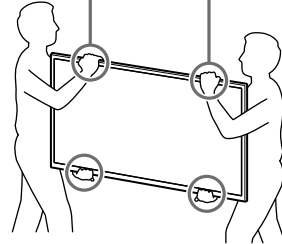


4

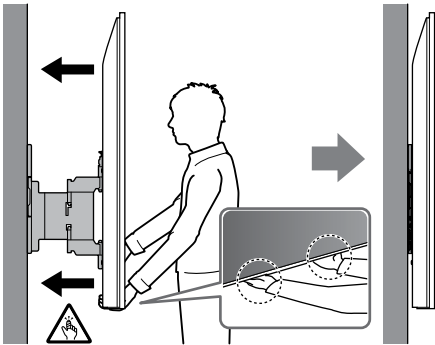


WARNING

- Be sure that two or more persons (three or more persons for 75 inches and above TV set) hold the TV when carrying it.



5 When moving the TV, hold it firmly from the bottom.



Confirming the completion of the installation

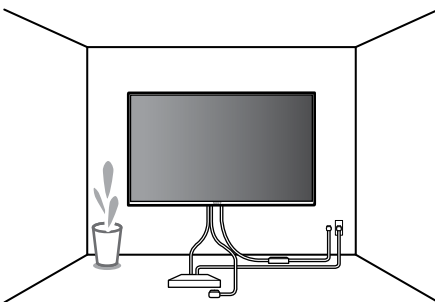
Check the following points.

- The cord and the cable are not twisted or pinched.

WARNING

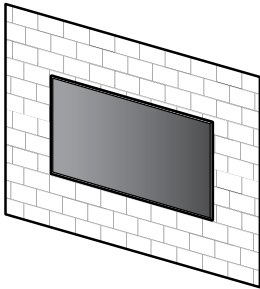
- Improper placement of the mains lead, etc. may cause fire or electric shock through a short circuit. Be sure to confirm the completion of the installation for safety.

6

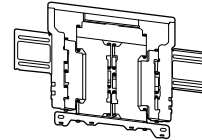


B Attaching the Wall-Mount Bracket to the Solid Concrete or Concrete Block

Solid Concrete or Concrete Block



WM1

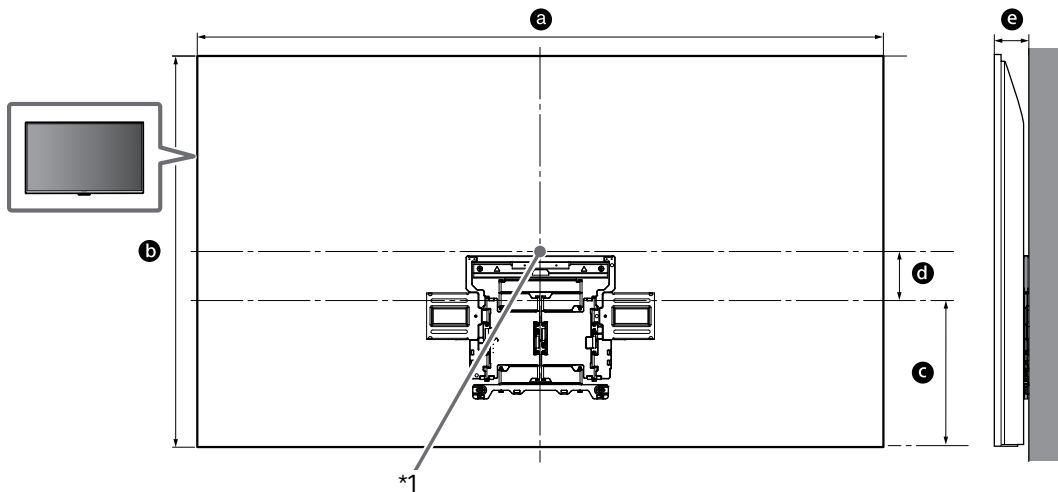


Installing the Wall-Mount Bracket to the wall

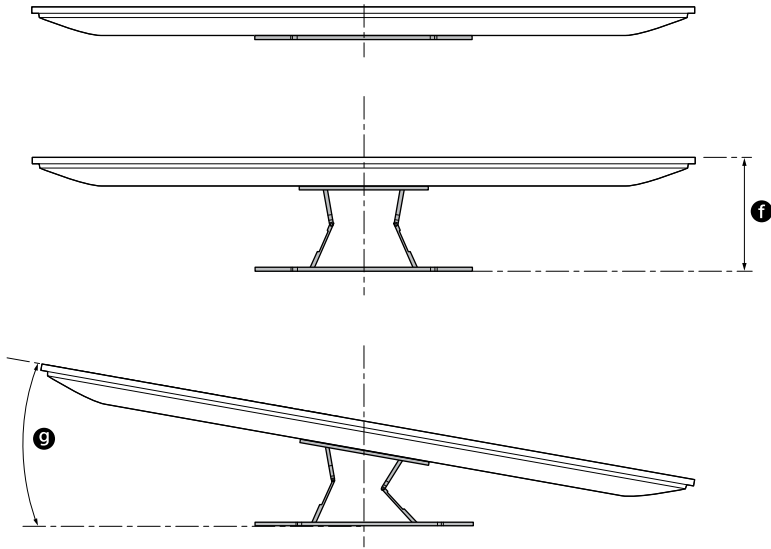
1 Decide on the installation location.

Make sure that the wall has enough space for the TV and is capable of supporting a weight of at least six times that of the TV.

Refer to the following table on installing the TV to the wall. Refer to your TV's Reference Guide for the TV's weight.



GB



(mm)

Model Name	a	b	c	d	e	f*2	g*2 (°)
KD-75XH80xx	1,686	969	364	123	86	288	15
KE-75XH80xx							
KD-65XH81xx	1,462	841	365	59	83	287	18
KE-65XH81xx							
KD-65XH80xx							
KE-65XH80xx							
KD-55XH81xx	1,243	718	365	3	83	287	20
KE-55XH81xx							
KD-55XH80xx							
KE-55XH80xx							

TV installation dimensions table (mm)

Figures in the table may differ slightly depending on the installation.

*1 (Screen centre point)

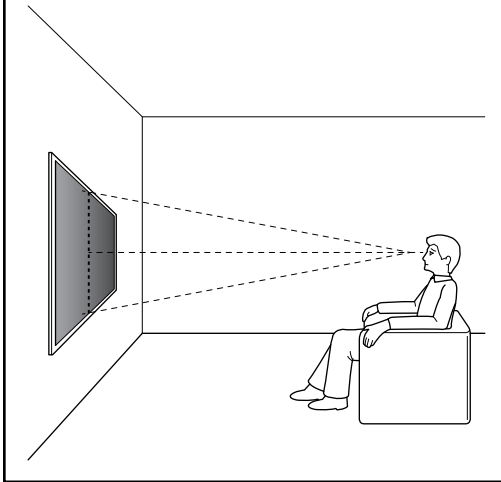
*2 (Approx.)

Note

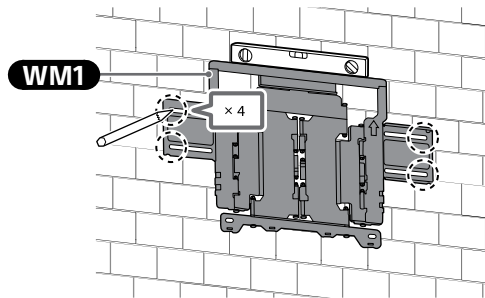
- When your TV is installed on the wall, the upper side of the TV slightly leans forward.

Note

- We recommend you to check the position of TV in the viewing environment.



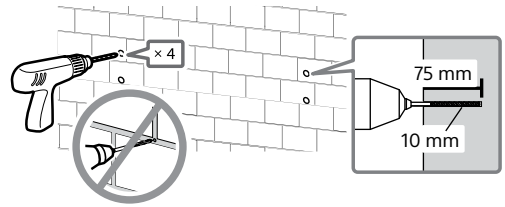
2 Align **WM1** to the wall and make four marks.



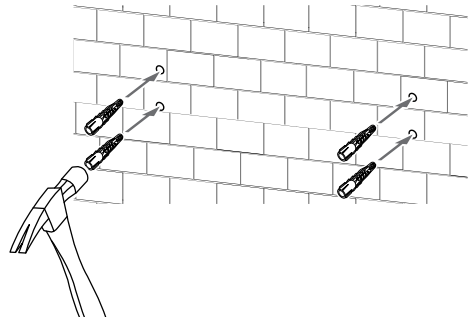
Note

- Use a level to check whether **WM1** is level.

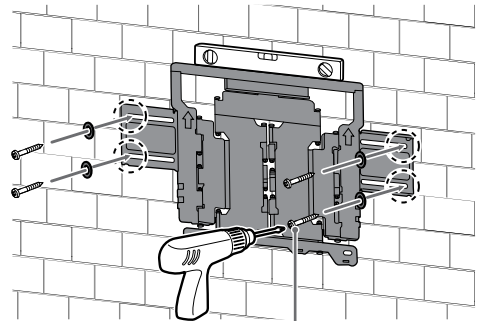
3 Drill pilot holes on the marks.



4



5 Install **WM1** on the wall using suitable screws (not supplied) and washers (not supplied).



8 mm × 60 mm

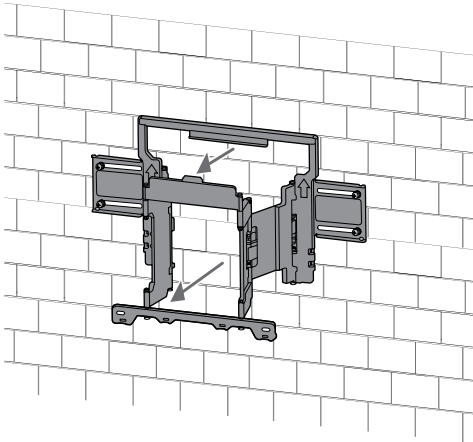
Note

- Use a level to check whether the Wall-Mount Bracket is level.

Precaution

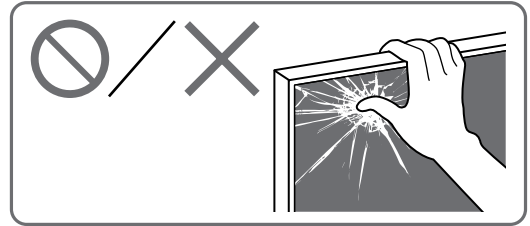
- Do not over-tighten wooden screw 8 mm × 60 mm. Improper tightening could reduce the holding power of wooden screw 8 mm × 60 mm.

- 6 Pull out the arm of the bracket to the end.

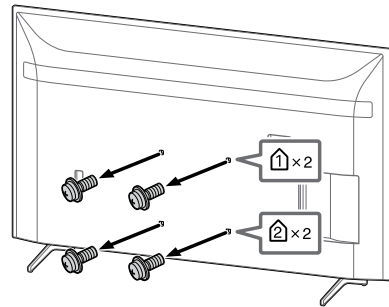


Preparing for the installation of the TV

Make sure to attach the Table-Top Stand before installing the TV to the wall by referring to the Setup Guide.



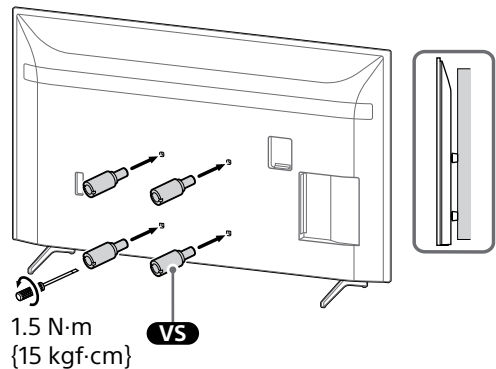
- 1 Remove the screws from the rear of the TV.



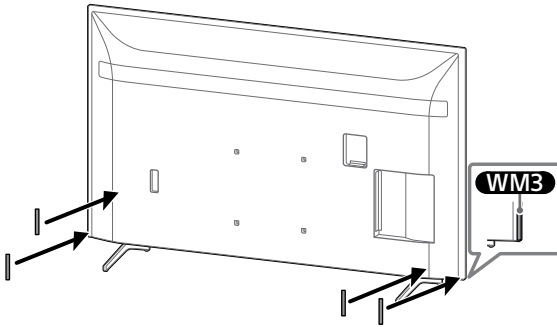
Note

- Be sure to store the removed screws and unused parts in a safe place, keeping them away from children.

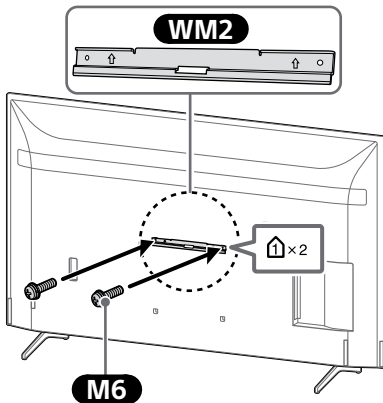
- 2 Attach the Wall-Mount Attachment (supplied with the TV) to the rear of the TV (to make it parallel with the wall).



3 Attach **WM3**.

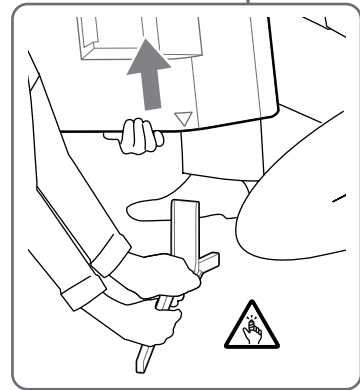
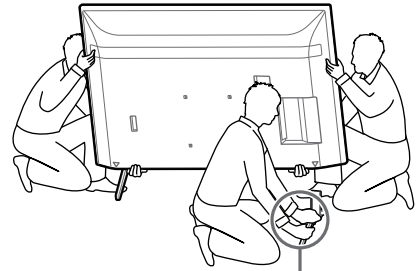


4 Attach the **WM2** to the TV using **M6**.



5 Detach the Table-Top Stand from the TV.

- Remove one side of the Table-Top Stand at a time. Firmly hold the Table-Top Stand securely with both hands while the other people lift up the TV.

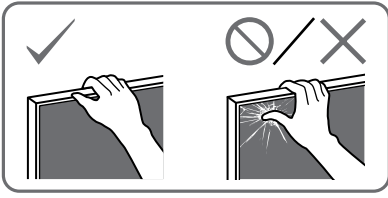


- Repeat the previous step and remove the other side of the Table-Top Stand.

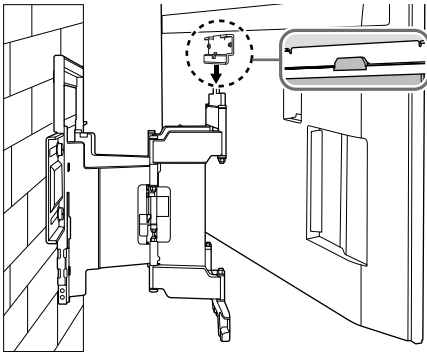
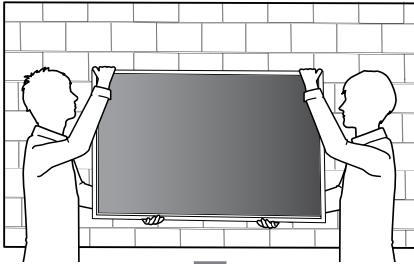
Note

- Three or more people are required to detach the Table-Top Stand.
- Be careful not to use excessive force while detaching the Table-Top Stand from the TV as it may cause the TV set to fall resulting in personal injury or physical damage to the TV.
- Take care when handling the Table-Top Stand to prevent damage to the TV.
- Be careful when lifting the TV as the Table-Top Stand is detached, the Table-Top Stand may topple over and cause personal injury.
- Take care when removing the Table-Top Stand from the TV to prevent it from falling over and damaging the surface that the TV is sitting on.

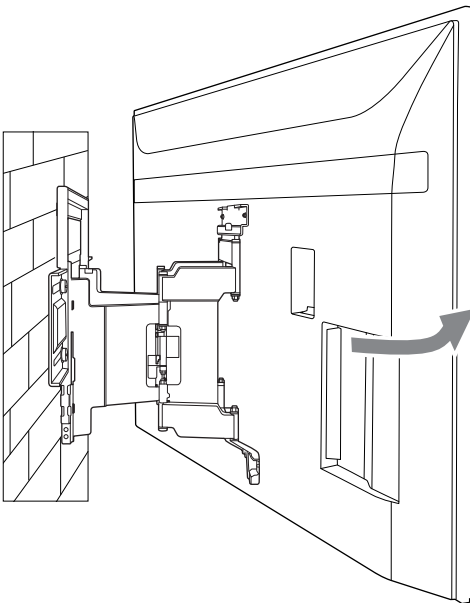
Installing the TV on the wall



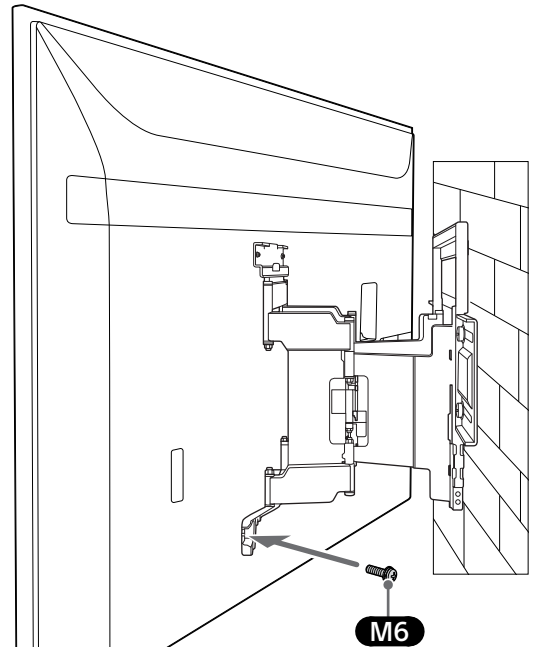
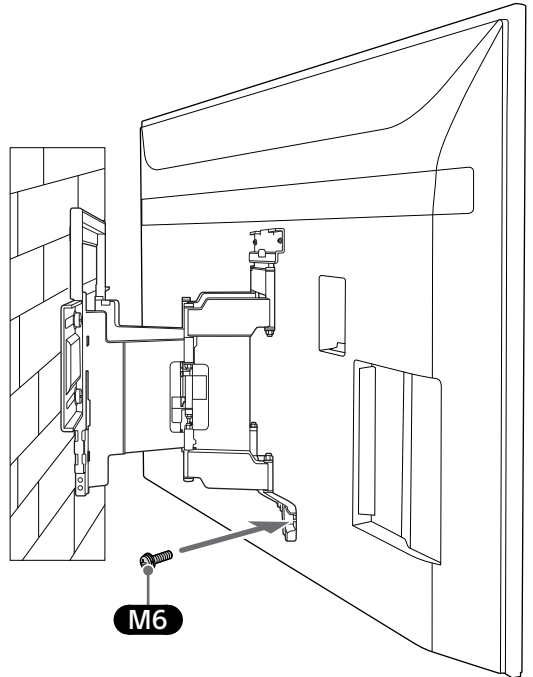
1



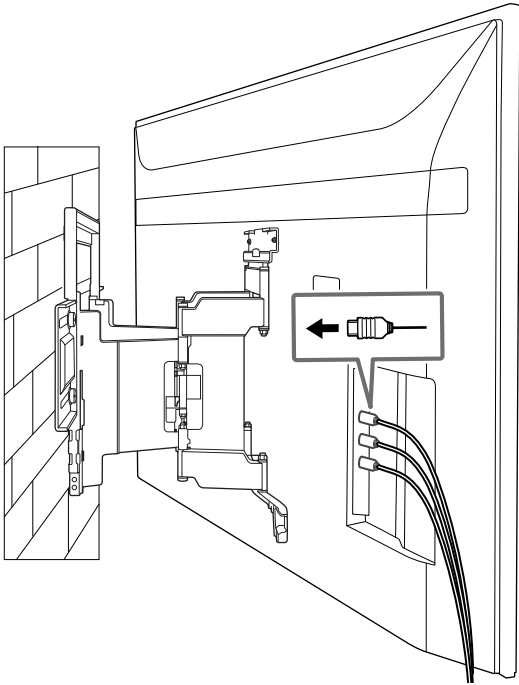
2



3 Screw the left and right side of the Wall-Mount Bracket.

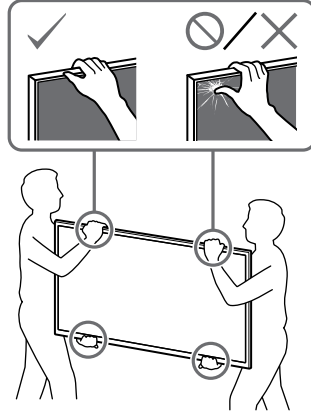


4

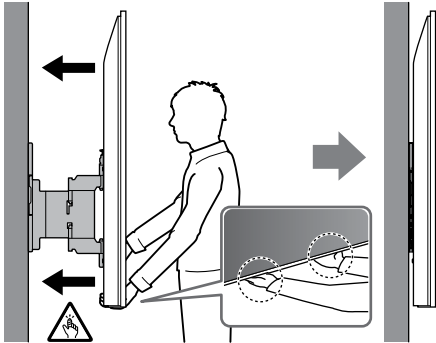


WARNING

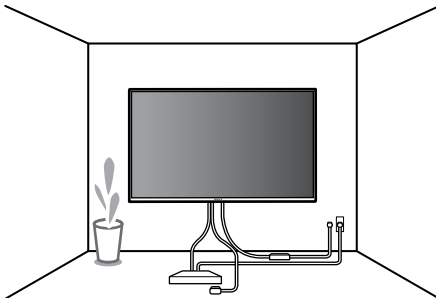
- Be sure that two or more persons (three or more persons for 75 inches and above TV set) hold the TV when carrying it.



5 When moving the TV, hold it firmly from the bottom.



6



Confirming the completion of the installation

Check the following points.

- The cord and the cable are not twisted or pinched.

WARNING

- Improper placement of the mains lead, etc. may cause fire or electric shock through a short circuit. Be sure to confirm the completion of the installation for safety.

Other information

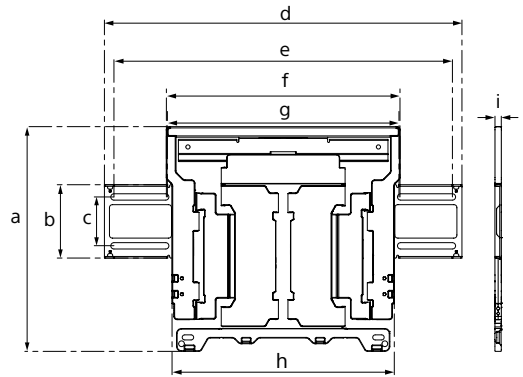
When removing the TV, reverse the previous installation procedure.

WARNING

- Be sure that two or more persons (three or more persons for 75 inches and above TV set) hold the TV when removing it.

Specifications

WM1



Dimensions: (Approx.) [mm]

a : 354
b : 116
c : 77
d : 563
e : 533
f : 370
g : 368
h : 350
i : 11

Mass (base only): (Approx.) [kg]

3.0

Design and specifications are subject to change without notice.

Informations d'installation pour l'utilisation du Support de fixation murale Sony (SU-WL850)

Modèles pris en charge* :

KD-75XH80xx / 65XH81xx / 65XH80xx / 55XH81xx / 55XH80xx

KE-75XH80xx / 65XH81xx / 65XH80xx / 55XH81xx / 55XH80xx

* Dans les noms de modèles réels, le « xx » indique des numéros et/ou des caractères spécifiques à chaque modèle.

À l'attention des clients

Pour des raisons de protection du produit et de sécurité, Sony recommande vivement que l'installation de votre téléviseur soit effectuée par un revendeur Sony ou un installateur agréé. N'essayez pas de l'installer vous-même.

A l'attention des revendeurs et installateurs Sony

Soyez particulièrement attentif à la sécurité pendant l'installation, l'entretien périodique et l'examen du produit.

Une certaine expérience est requise pour installer ce produit, en particulier pour déterminer la résistance du mur qui devra supporter le poids du téléviseur. Veillez à confier la fixation de ce produit au mur à un revendeur Sony ou un installateur agréé et apportez une attention suffisante à la sécurité pendant l'installation. Sony n'est responsable d'aucun dégât ou blessure provoqué par une erreur de manipulation ou installation incorrecte.

Pour la sécurité et une installation correcte, suivez le Mode d'emploi du Support de fixation murale, le Guide d'installation du téléviseur et les consignes de ce manuel.

Support de fixation murale

Sécurité

Nous vous remercions d'avoir fait l'acquisition de ce produit.

À l'attention des clients

Installation du téléviseur au mur



INSTALLATION PAR UN PROFESSIONNEL REQUISE

Ce produit doit être installé exclusivement par un installateur professionnel ayant été formé pour déterminer la résistance du mur qui devra soutenir le poids du téléviseur. S'il est mal fixé lors de son installation, le téléviseur peut tomber et provoquer des blessures graves. Sony ne saurait être tenue responsable de tout dommage ou de toute blessure découlant d'une mauvaise utilisation ou d'une installation incorrecte, ou encore de l'installation d'un produit autre que celui spécifié. Vos droits légaux (éventuels) ne sont pas affectés.

À l'attention des détaillants Sony

L'installation de ce produit exige un certain savoir-faire. Lisez ce mode d'emploi attentivement afin de procéder à l'installation en toute sécurité. Sony ne saurait être tenue responsable de tout dommage ou de toute blessure découlant d'une mauvaise utilisation ou d'une installation incorrecte. Une fois l'installation terminée, veuillez remettre ce manuel d'installation au client.

Ce mode d'emploi indique comment manipuler le produit correctement et contient des précautions essentielles à prendre pour éviter tout accident. Il vous incombe de lire, bien comprendre et suivre toutes les instructions de ce mode d'emploi. Ne pas respecter cette consigne peut entraîner des blessures ou des dommages matériels, et peut invalider la garantie. Conservez ce mode d'emploi pour toute référence ultérieure.

Les produits Sony sont conçus pour vous offrir le maximum de sécurité. Toutefois, si les produits sont utilisés de façon incorrecte, ils peuvent entraîner des blessures graves en provoquant un incendie ou l'électrocution, ou encore la chute de l'appareil hors de son support. Veillez à observer les consignes de sécurité préconisées pour éviter de tels accidents.

ATTENTION

Produits spécifiés

Ce support de fixation murale est conçu pour être utilisé avec les téléviseurs spécifiés. Pour les téléviseurs, reportez-vous au « Guide de référence » pour vérifier si le support de fixation murale peut être utilisé.

À l'attention des clients

AVERTISSEMENT

Le non-respect des consignes suivantes peut être fatal ou entraîner des blessures graves en provoquant un incendie, l'électrocution ou la chute de l'appareil.

Veillez à confier l'installation à du personnel agréé en tenant les petits enfants à l'écart pendant l'installation.

Si le support de fixation murale ou le téléviseur n'est pas installé correctement, les accidents suivants peuvent se produire. Veillez à confier l'installation à des installateurs agréés.

- Le téléviseur peut tomber et causer des blessures graves comme des hématomes ou des fractures.
- Si le mur sur lequel le support de fixation murale est fixé est instable, inégal ou non perpendiculaire au sol, l'appareil risque de tomber et de provoquer des blessures ou des dommages matériels. Le mur doit pouvoir supporter un poids d'au moins six fois celui du téléviseur. (Pour connaître le poids du téléviseur, reportez-vous à son « Guide de référence ».)
- Si l'installation du support de fixation murale n'est pas assez solide, l'appareil risque de tomber et de provoquer des blessures ou des dommages matériels.

Veillez à confier le déplacement ou le démontage du téléviseur à des installateurs agréés.

Si des personnes autres que des installateurs agréés transportent ou démontent le téléviseur, celui-ci peut tomber et provoquer des blessures ou des dommages matériels. Deux personnes au moins (trois personnes ou plus pour les téléviseurs de 75 pouces ou plus) doivent porter ou démonter le téléviseur.

Ne retirez pas les vis, etc. après l'installation du téléviseur.

Dans ce cas, le téléviseur pourrait tomber et provoquer des blessures ou des dommages matériels.

Ne modifiez pas les pièces du support de fixation murale.

Dans ce cas, le support de fixation murale pourrait tomber et provoquer des blessures ou des dommages matériels.

N'installez aucun appareil autre que ceux spécifiés.

Ce support de fixation murale est conçu pour être utilisé avec les produits spécifiés uniquement. Si vous installez un appareil autre que ceux qui sont spécifiés, il pourrait tomber ou se briser et provoquer des blessures ou des dommages matériels.

N'installez aucune charge autre que le téléviseur sur le support de fixation murale.

Ne secouez pas le téléviseur vers la gauche/droite, le haut/bas.

Dans ce cas, le téléviseur pourrait tomber et provoquer des blessures ou des dommages matériels.

Ne vous appuyez pas sur le téléviseur et ne vous y suspendez pas.

Ne vous appuyez pas sur le téléviseur et ne vous y suspendez pas, car il risque de tomber et de causer des blessures graves.

ATTENTION

Le non-respect des consignes suivantes peut entraîner des blessures ou des dommages matériels.

- Veillez à ne pas vous coincer les doigts lorsque vous manipulez le support de fixation murale ou faites pivoter le téléviseur.
- Lorsque vous faites pivoter le téléviseur, manipulez-le avec précaution et faites attention de ne heurter personne à proximité.
- Veillez à stocker les pièces inutilisées en lieu sûr en vue d'une utilisation ultérieure. Tenez-les hors de portée des enfants.

N'appliquez aucune force excessive sur le produit au cours de l'entretien ou du nettoyage de l'appareil.

N'exercez aucune pression excessive sur le dessus du téléviseur. Dans ce cas, le téléviseur pourrait tomber et provoquer des blessures ou des dommages matériels.

Précautions

- Si vous utilisez le téléviseur fixé au support de fixation murale pendant une longue période, le mur situé derrière le téléviseur ou au-dessus de celui-ci peut se décolorer, ou encore le papier peint peut se décoller, selon le matériau du mur.
- Les trous des vis restent apparents si vous démontez le support de fixation murale après son installation.
- N'utilisez pas le support de fixation murale dans un endroit soumis à des vibrations mécaniques.

Installation du support de fixation murale

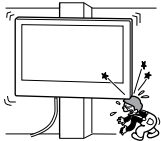
À l'attention des détaillants Sony

AVERTISSEMENT

Les instructions suivantes concernent les détaillants Sony uniquement. Lisez attentivement les consignes de sécurité ci-dessus et accordez une attention particulière à la sécurité lors de l'installation, de l'entretien et de la vérification de ce produit.

N'installez pas le support de fixation murale sur une surface où les coins ou les côtés du téléviseur dépasseraient.

N'installez pas le support de fixation murale sur une surface verticale telle qu'une colonne, où les coins ou les côtés du téléviseur dépasseraient de la surface murale. Si une personne ou un objet venait à heurter le coin ou les côtés du téléviseur, ceci risquerait de provoquer des blessures ou des dommages matériels.

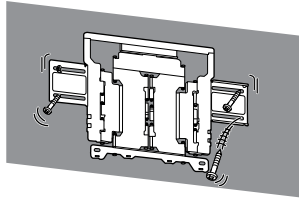


N'installez pas le téléviseur sur ou sous un climatiseur.

L'exposition prolongée du téléviseur à des fuites d'eau ou à des courants d'air provenant du climatiseur pourrait provoquer un incendie, l'électrocution ou des problèmes de fonctionnement du téléviseur.

Veillez à installer le support de fixation murale solidement en suivant les instructions de ce mode d'emploi.

S'il manque des vis ou si elles sont desserrées, le support de fixation murale pourrait tomber et provoquer des blessures ou des dommages matériels. Assurez-vous d'utiliser les vis appropriées au matériau du mur et installez l'unité de façon sécurisée en utilisant quatre vis de 8 mm de diamètre (ou équivalentes).



Veillez à utiliser correctement les vis et les pièces de fixation fournies conformément aux instructions du mode d'emploi. Si vous utilisez d'autres éléments de fixation, le téléviseur pourrait tomber et causer des blessures corporelles ou être endommagé.

Veillez à monter le support correctement en suivant la procédure décrite dans ce mode d'emploi.

S'il manque des vis ou si elles sont desserrées, le téléviseur pourrait tomber et causer des blessures corporelles ou être endommagé.

Veillez à serrer les vis solidement dans la position indiquée.

Si vous oubliez, le téléviseur pourrait tomber et causer des blessures corporelles ou être endommagé.

Veillez à ne pas soumettre le téléviseur à des chocs pendant l'installation.

Si le téléviseur subit des chocs, il pourrait tomber ou se briser. Ceci pourrait causer des blessures.

Veillez à installer le téléviseur sur un mur parfaitement vertical et plat.

Dans le cas contraire, le téléviseur pourrait tomber et provoquer des blessures.

Une fois le téléviseur installé correctement, fixez solidement les câbles.

Si des personnes ou des objets s'accrochent aux câbles, ceci risque de provoquer des blessures ou d'endommager le téléviseur.

Veillez à ce que le cordon d'alimentation CA ou le câble de raccordement ne soit pas coincé ni écrasé.

Si le cordon d'alimentation CA ou le câble de raccordement est coincé entre l'appareil et le mur, ou s'il est plié ou tordu, les conducteurs internes peuvent être exposés et provoquer un court-circuit ou une coupure électrique. Un incendie ou l'électrocution pourrait en résulter.



Les vis nécessaires à l'installation du support de fixation murale au mur ne sont pas fournies.

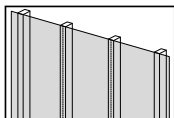
Utilisez les vis appropriées selon le matériau et la structure du mur lors du montage du support de fixation murale.

Avant de commencer

Vérifiez d'abord le type de cloison où vous allez installer le téléviseur.

De quoi est faite votre cloison ?

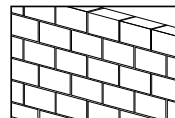
Cloison sèche avec montants



Précautions

- Épaisseur maximale du mur sec : 16 mm.
- Assurez-vous que la taille du montant en bois intérieur est d'au moins 51 x 102 mm pour commun ou 38 x 89 mm pour nominal.
- Gardez un espace minimal de 406 mm entre les attaches.

Béton plein ou bloc de béton



Précautions

- Montez le support de fixation murale directement dans le mur en béton plein.
- Assurez-vous que l'épaisseur du mur en béton plein est d'au moins 203 mm.
- Assurez-vous que la taille de chaque bloc de béton est au moins de 203 x 203 x 406 mm.

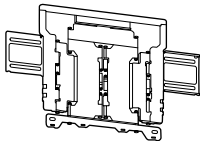

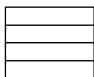

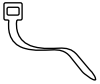
Préparation de l'installation

- Gardez le Guide de référence du téléviseur et le Guide d'installation à portée de main avant l'installation.
- Vérifiez la position d'installation de votre téléviseur.
- Préparez quatre vis de 8 mm de diamètre et quatre rondelles appropriées (non fournies). Choisissez des vis adaptées au matériau et au mur.

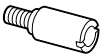
Vérification des pièces

Fournies avec le SU-WL850

- Vérifiez que vous disposez de toutes les pièces.



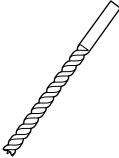
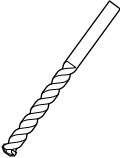
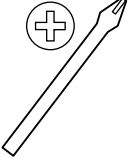




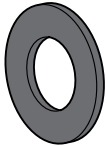

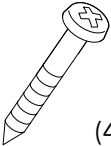
(A) WM1 (1) 	(B) WM2 (1) 
(C) WM3 (4) 	(D) M6 (4) 
(E) WT1 (6) 	

Fournie avec le téléviseur

VS Accessoire de fixation murale (4) 
--



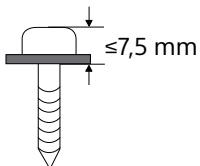
Outils nécessaires

*1 		 5,5 mm	 10 mm 
*2 		 1,5 N·m {15 kgf·cm}	
*3  (4)	*2  (4)	*3  (4) 8 mm x 60 mm	

*1 Uniquement pour une cloison sèche avec montants

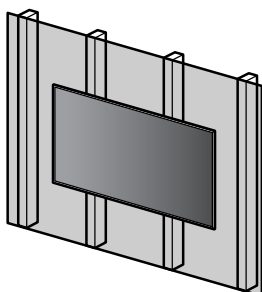
*2 Uniquement pour du béton plein ou un bloc de béton

*3 Attention au choix des vis et des rondelles

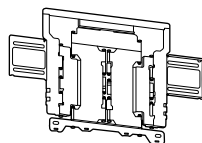


A Fixation du téléviseur à la cloison sèche avec montants

Cloison sèche avec montants



WM1

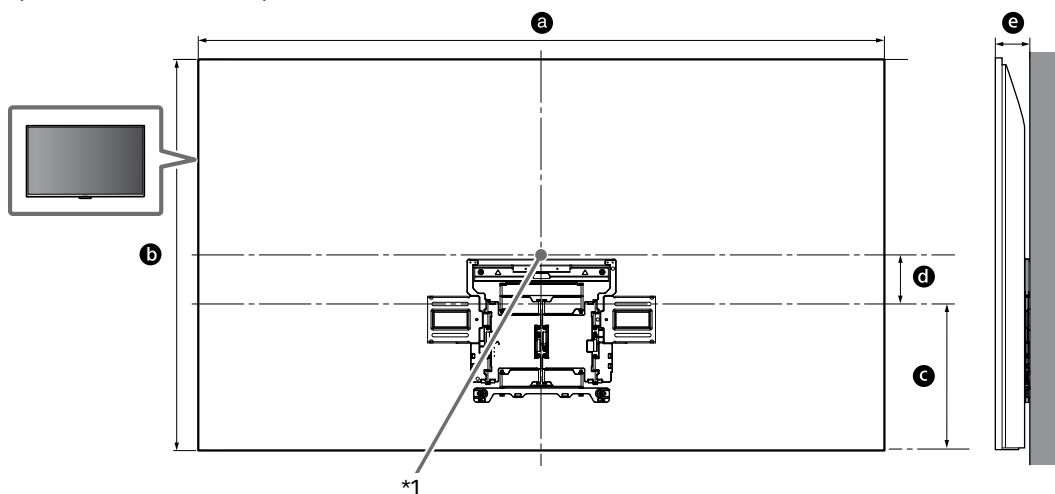


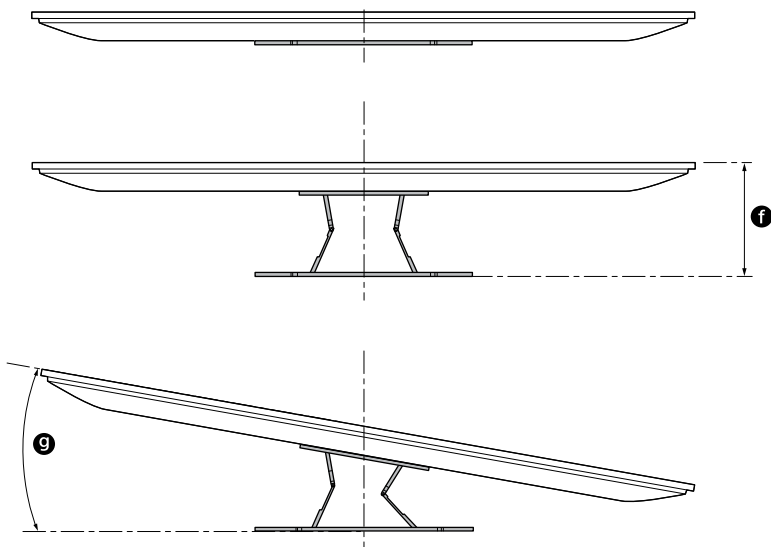
Installation du support de fixation murale au mur

1 Choisissez l'emplacement d'installation.

Assurez-vous que le mur dispose d'un espace suffisant pour le téléviseur et qu'il peut supporter un poids équivalent à au moins six fois celui du téléviseur.

Reportez-vous au tableau suivant lorsque vous installez le téléviseur au mur. Pour connaître le poids du téléviseur, reportez-vous au Guide de référence du téléviseur.





(mm)

Nom du modèle	a	b	c	d	e	f*2	g*2 (°)
KD-75XH80xx	1 686	969	364	123	86	288	15
KE-75XH80xx							
KD-65XH81xx	1 462	841	365	59	83	287	18
KE-65XH81xx							
KD-65XH80xx							
KE-65XH80xx	1 243	718	365	3	83	287	20
KD-55XH81xx							
KE-55XH81xx							
KD-55XH80xx							
KE-55XH80xx							

Tableau des dimensions d'installation du téléviseur (mm)

Les valeurs indiquées dans le tableau peuvent être légèrement différentes selon l'installation.

*1 (Point central de l'écran)

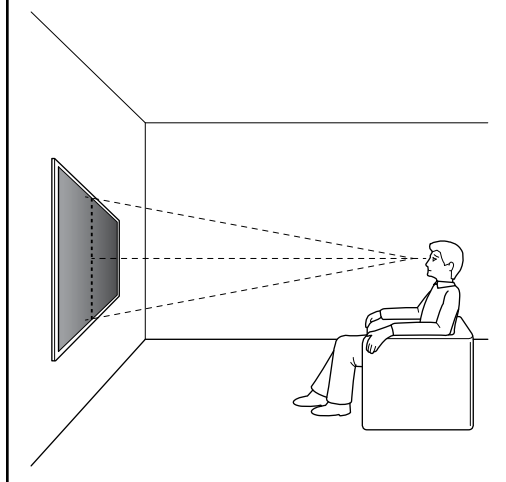
*2 (Environ.)

Remarque

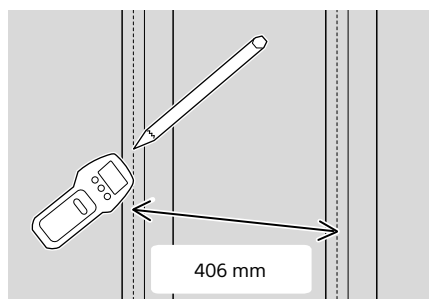
- Lorsque votre téléviseur est installé au mur, la partie supérieure du téléviseur penche légèrement vers l'avant.

Remarque

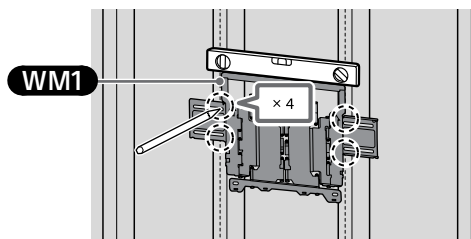
- Nous vous recommandons de vérifier la position du téléviseur dans l'environnement visuel.



2



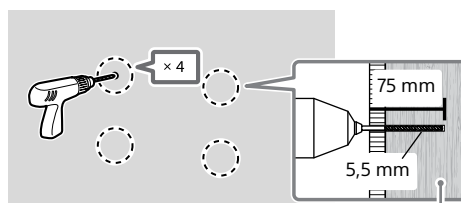
- 3 Aligned le **WM1** à la cloison et faites quatre repères alignés aux montants.



Remarque

- Utilisez un niveau pour vérifier si **WM1** est de niveau.

- 4 Percez des trous de guidage supérieurs sur les repères.

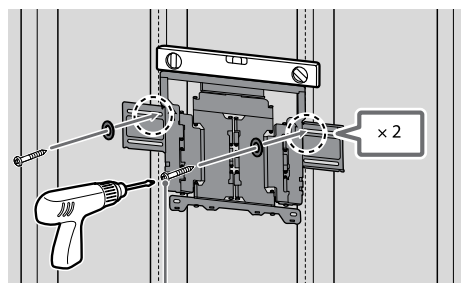


Montant ou renfort

Remarque

- Les trous de guidage doivent être percés à une profondeur de 75 mm, à l'aide d'une mèche de 5,5 mm.

- 5 Installez le **WM1** sur la cloison à l'aide des vis (non fournies) et des rondelles adaptées (non fournies).



8 mm x 60 mm

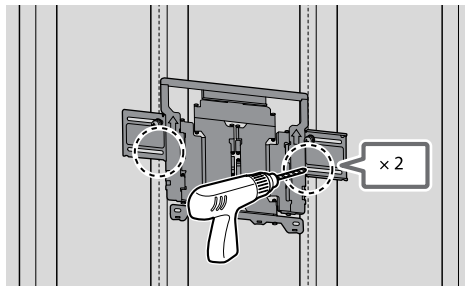
Remarque

- Utilisez un niveau pour vérifier si **WM1** est de niveau.

Précautions

- Ne serrez pas trop la vis à bois 8 mm x 60 mm. Un serrage inapproprié peut réduire le pouvoir de maintien de la vis à bois 8 mm x 60 mm.

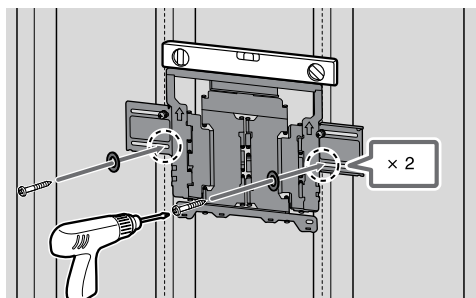
- 6 Percez des trous de guidage inférieurs sur les repères. (Pour connaître les instructions de perçage, reportez-vous à l'étape 4.)



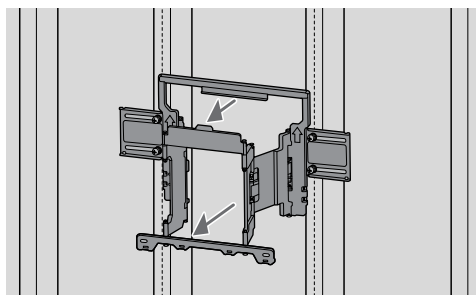
- 7 Montez les vis et les rondelles adaptées dans les trous.

Remarque

- Utilisez un niveau pour vérifier si le support de fixation murale est de niveau.

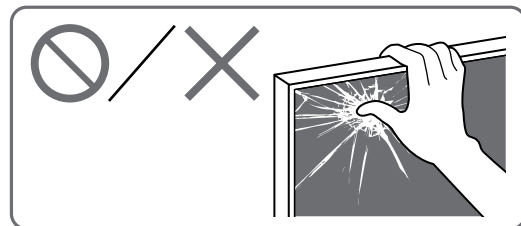


- 8 Retirez le bras du support jusqu'au bout.

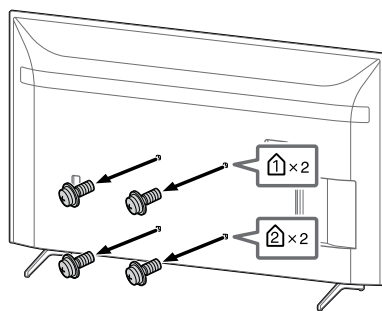


Préparation à l'installation du téléviseur

Assurez-vous de fixer le support de table avant d'installer le téléviseur au mur en vous reportant au Guide d'installation.



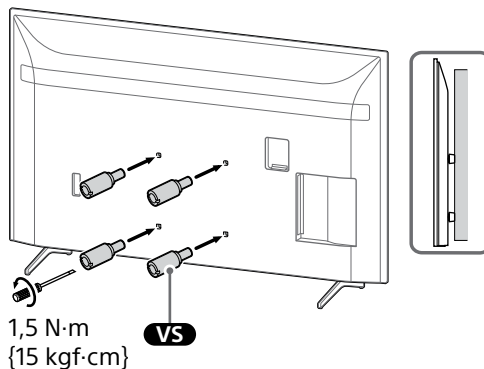
- 1 Retirez les vis à l'arrière du téléviseur.



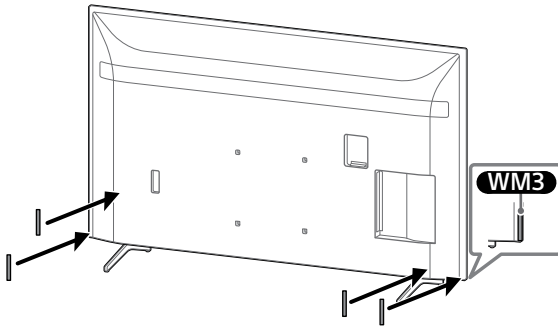
Remarque

- Les vis que vous retirez et les pièces inutilisées doivent être rangées en lieu sûr, hors de portée des enfants.

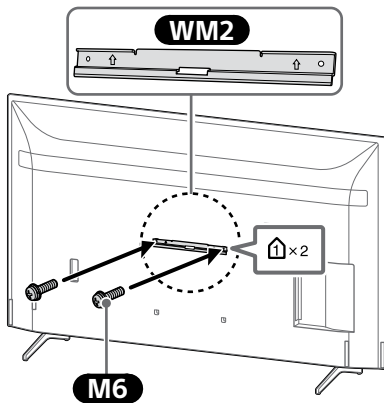
- 2 Fixez l'accessoire de fixation murale (fourni avec le téléviseur) à l'arrière du téléviseur (pour le rendre parallèle au mur).



3 Fixez le **WM3**.

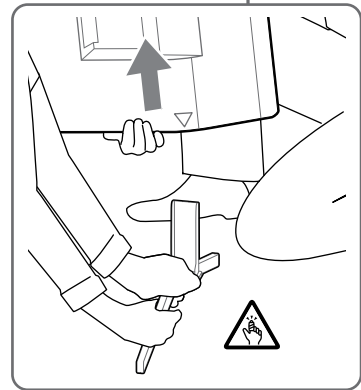
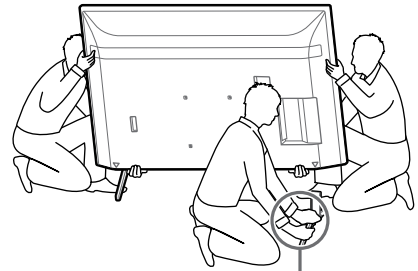


4 Fixez le **WM2** au téléviseur à l'aide du **M6**.



5 Détachez le support de table du téléviseur.

- Retirez un côté du support de table à la fois. Tenez fermement le support de table à deux mains pendant que les autres personnes soulèvent le téléviseur.

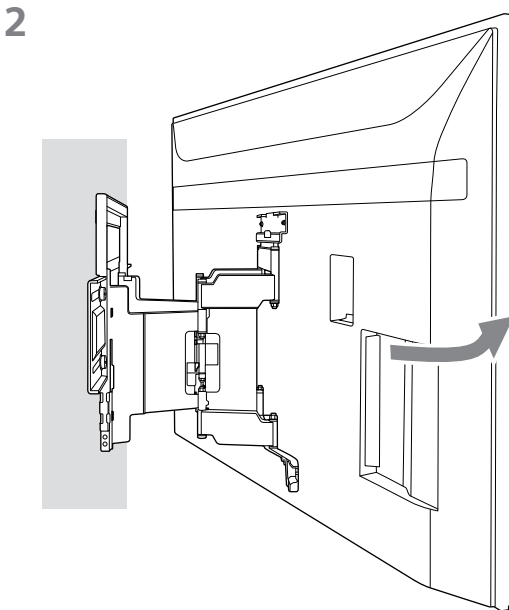
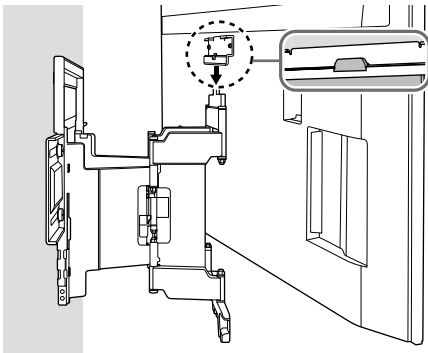
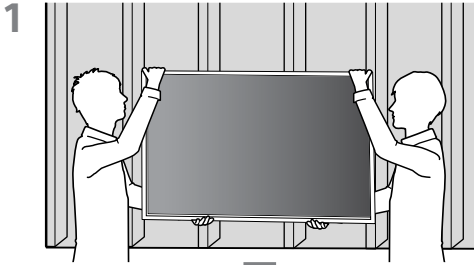


- Répétez l'étape précédente et retirez l'autre côté du support de table.

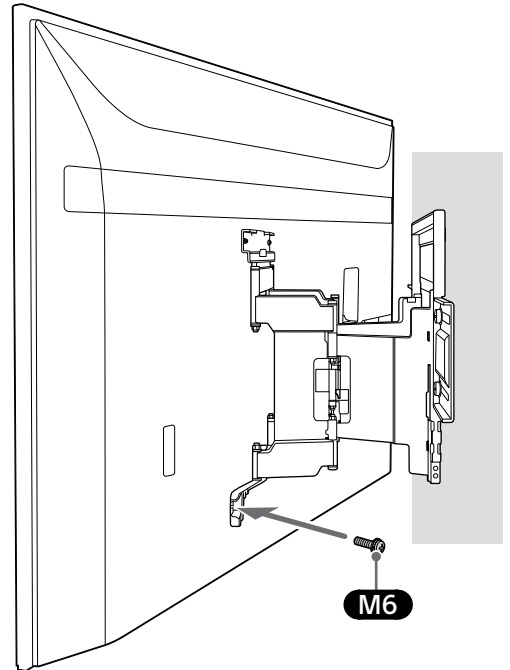
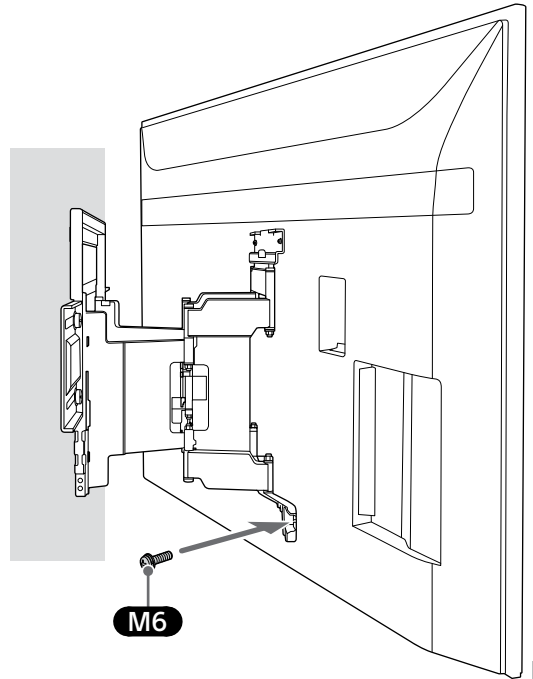
Remarque

- La présence de trois personnes ou plus est nécessaire pour détacher le support de table.
- Veillez à ne pas exercer de force excessive en détachant le support de table du téléviseur car ce dernier pourrait tomber et ainsi être endommagé et occasionner des blessures corporelles.
- Lorsque vous manipulez le support de table, prenez soin d'éviter d'endommager le téléviseur.
- Faites preuve de prudence lorsque vous soulevez le téléviseur alors que le support de table est détaché, car le support de table pourrait se renverser et provoquer des blessures.
- Faites attention lorsque vous retirez le support de table du téléviseur afin d'éviter qu'il ne tombe et endommage la surface sur laquelle repose le téléviseur.

Installation du téléviseur au mur

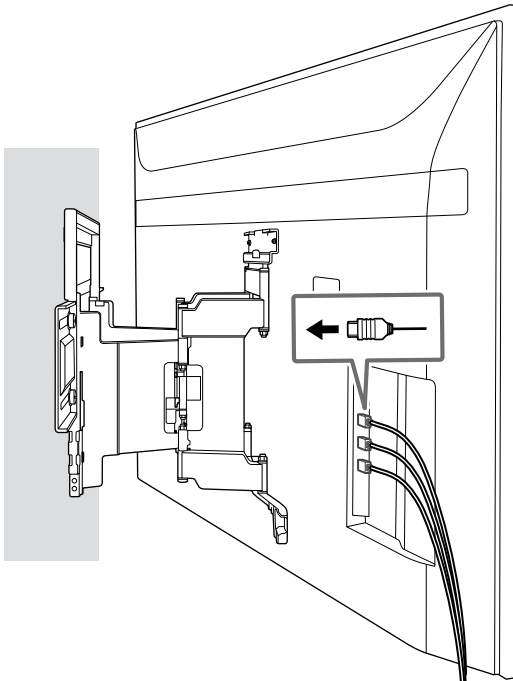


3 Vissez les côtés gauche et droit du support de fixation murale.



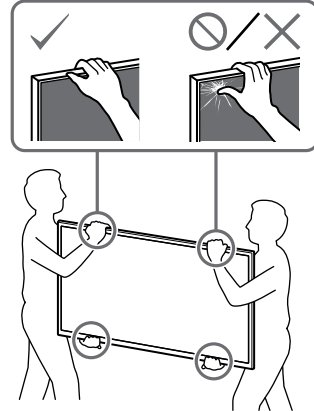
FR

4

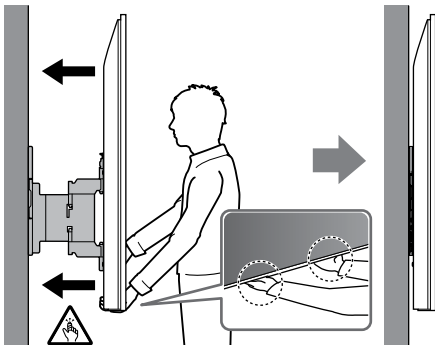


AVERTISSEMENT

- Deux personnes au moins (trois personnes ou plus pour les téléviseurs de 75 pouces ou plus) doivent soutenir le téléviseur pour le déplacer.



5 Pour déplacer le téléviseur, saisissez-le fermement par sa base.



Vérification de l'achèvement de l'installation

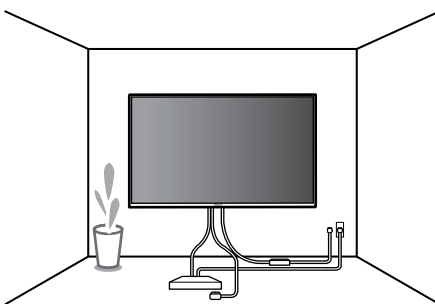
Vérifiez les points suivants.

- Le cordon et le câble ne sont pas tordus ou coincés.

AVERTISSEMENT

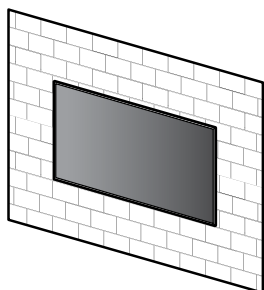
- Si le cordon d'alimentation CA ou autre n'est pas correctement installé, un court-circuit pourrait survenir et provoquer un incendie ou l'électrocution. Pour votre sécurité, vérifiez que l'installation est effectuée complètement.

6

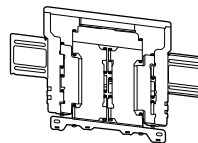


B Fixation du support de fixation murale à du béton plein ou à un bloc de béton

Béton plein ou bloc de béton



WM1



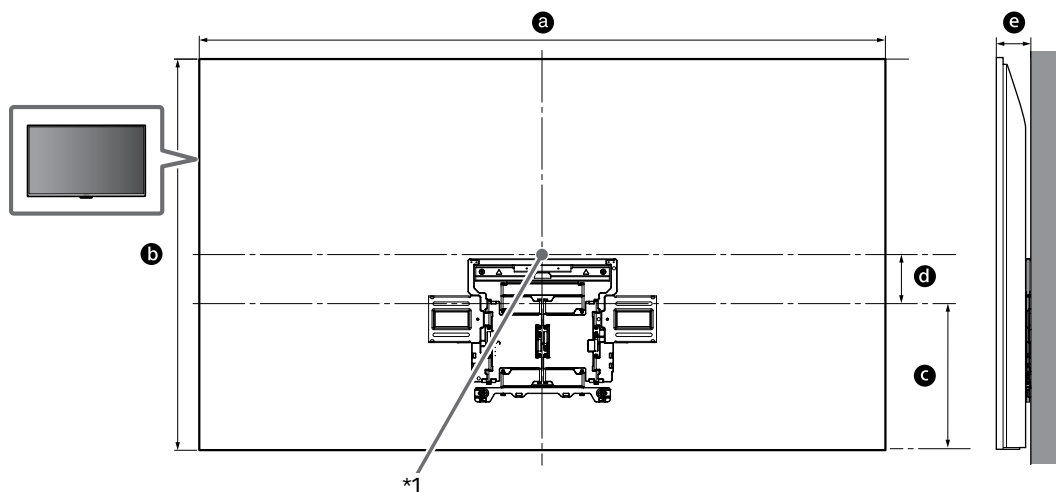
Installation du support de fixation murale au mur

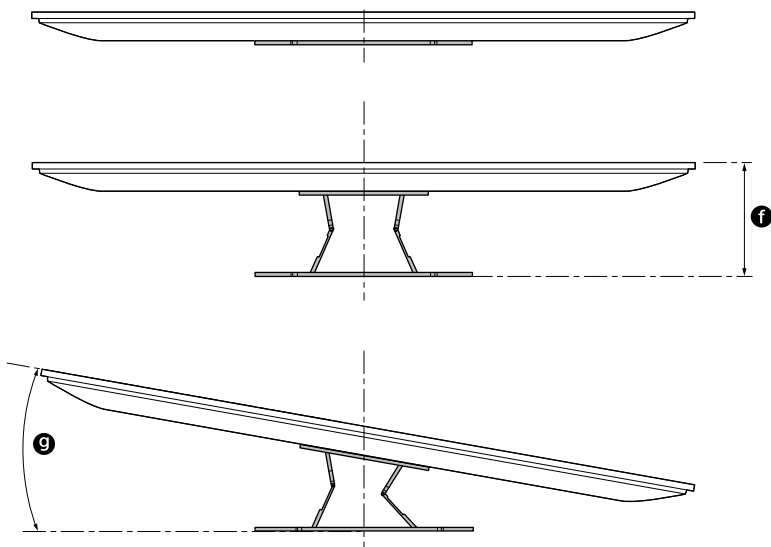
1 Choisissez l'emplacement d'installation.

Assurez-vous que le mur dispose d'un espace suffisant pour le téléviseur et qu'il peut supporter un poids équivalent à au moins six fois celui du téléviseur.

Reportez-vous au tableau suivant lorsque vous installez le téléviseur au mur. Pour connaître le poids du téléviseur, reportez-vous au Guide de référence du téléviseur.

FR





(mm)

Nom du modèle	a	b	c	d	e	f*2	g*2 (°)
KD-75XH80xx	1 686	969	364	123	86	288	15
KE-75XH80xx							
KD-65XH81xx	1 462	841	365	59	83	287	18
KE-65XH81xx							
KD-65XH80xx							
KE-65XH80xx							
KD-55XH81xx	1 243	718	365	3	83	287	20
KE-55XH81xx							
KD-55XH80xx							
KE-55XH80xx							

Tableau des dimensions d'installation du téléviseur (mm)

Les valeurs indiquées dans le tableau peuvent être légèrement différentes selon l'installation.

*1 (Point central de l'écran)

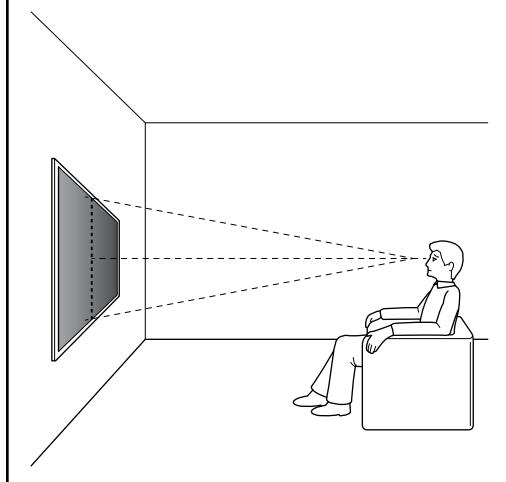
*2 (Environ.)

Remarque

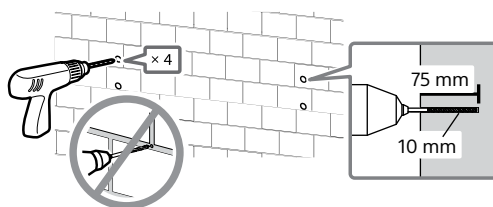
- Lorsque votre téléviseur est installé au mur, la partie supérieure du téléviseur penche légèrement vers l'avant.

Remarque

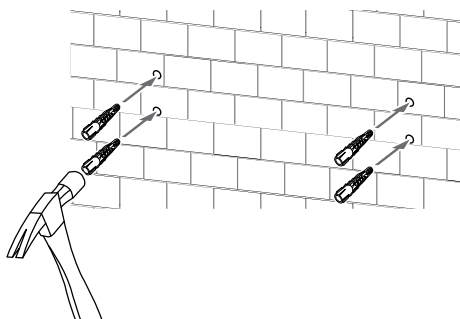
- Nous vous recommandons de vérifier la position du téléviseur dans l'environnement visuel.



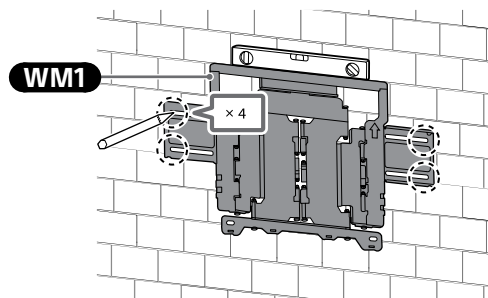
3 Percez des trous de guidage sur les repères.



4



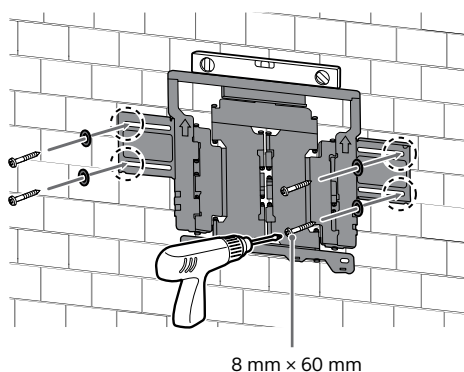
2 Alignez le WM1 à la cloison et faites quatre repères.



Remarque

- Utilisez un niveau pour vérifier si WM1 est de niveau.

5 Installez le WM1 sur la cloison à l'aide des vis (non fournies) et des rondelles adaptées (non fournies).



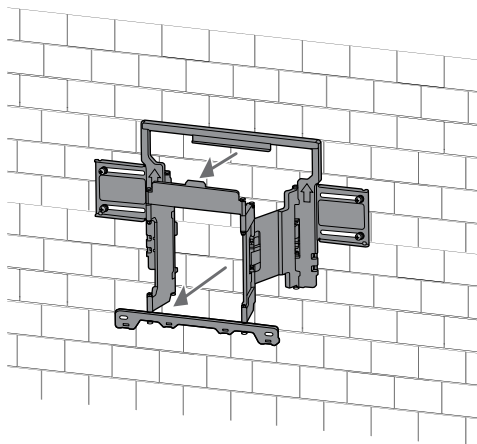
Remarque

- Utilisez un niveau pour vérifier si le support de fixation murale est de niveau.

Précautions

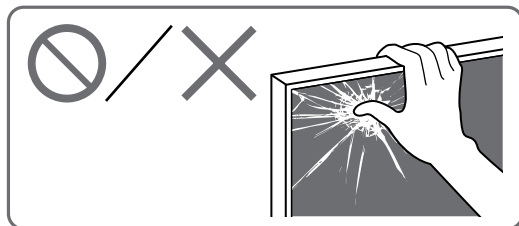
- Ne serrez pas trop la vis à bois 8 mm x 60 mm. Un serrage inapproprié peut réduire le pouvoir de maintien de la vis à bois 8 mm x 60 mm.

- 6 Retirez le bras du support jusqu'au bout.

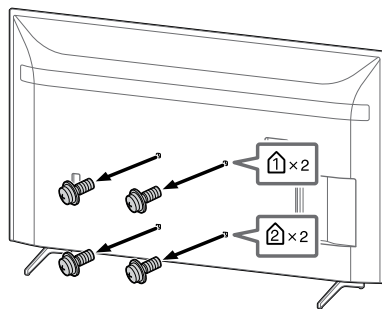


Préparation à l'installation du téléviseur

Assurez-vous de fixer le support de table avant d'installer le téléviseur au mur en vous reportant au Guide d'installation.



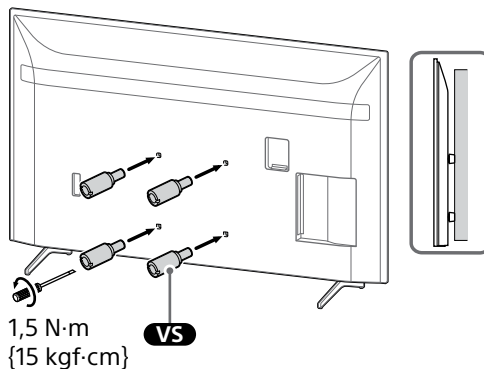
- 1 Retirez les vis à l'arrière du téléviseur.



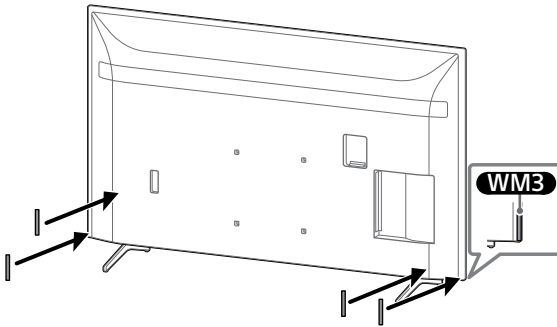
Remarque

- Les vis que vous retirez et les pièces inutilisées doivent être rangées en lieu sûr, hors de portée des enfants.

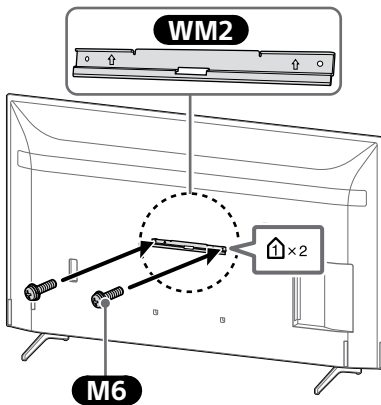
- 2 Fixez l'accessoire de fixation murale (fourni avec le téléviseur) à l'arrière du téléviseur (pour le rendre parallèle au mur).



3 Fixez le WM3.

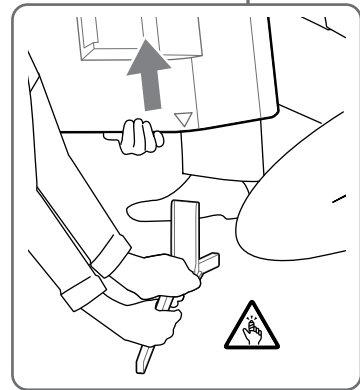
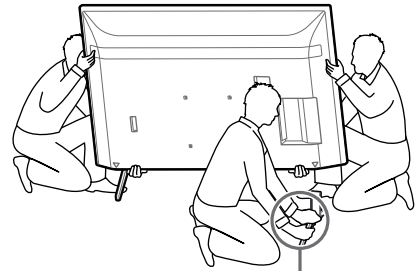


4 Fixez le WM2 au téléviseur à l'aide du M6.



5 Détachez le support de table du téléviseur.

- Retirez un côté du support de table à la fois. Tenez fermement le support de table à deux mains pendant que les autres personnes soulèvent le téléviseur.

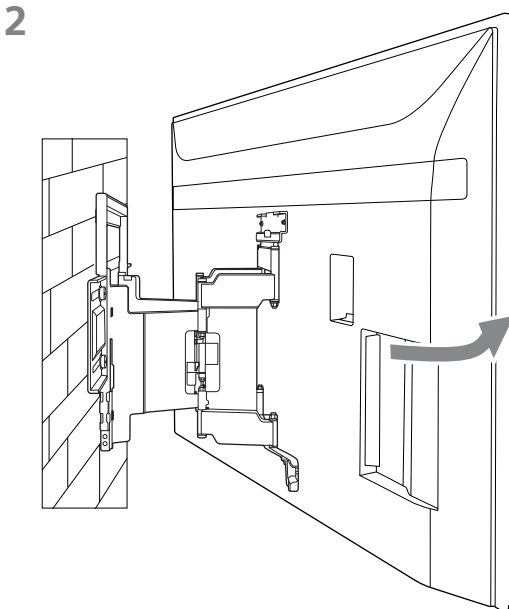
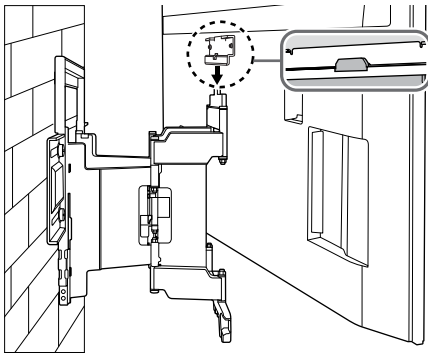
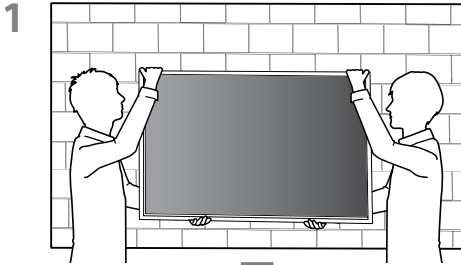


- Répétez l'étape précédente et retirez l'autre côté du support de table.

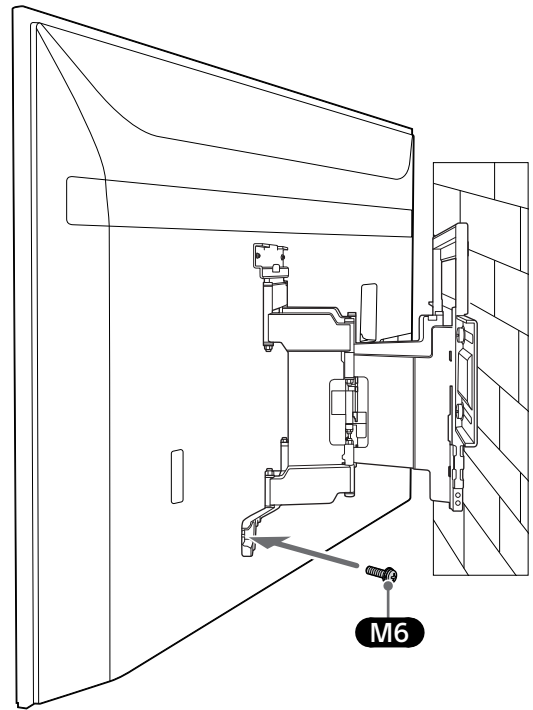
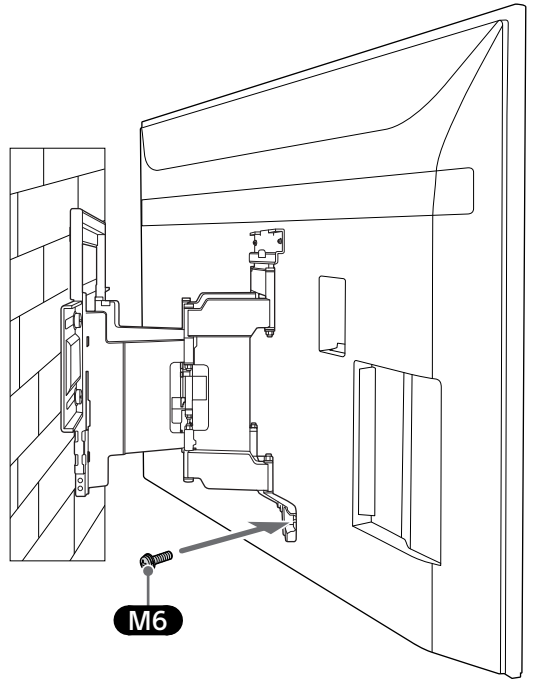
Remarque

- La présence de trois personnes ou plus est nécessaire pour détacher le support de table.
- Veillez à ne pas exercer de force excessive en détachant le support de table du téléviseur car ce dernier pourrait tomber et ainsi être endommagé et occasionner des blessures corporelles.
- Lorsque vous manipulez le support de table, prenez soin d'éviter d'endommager le téléviseur.
- Faites preuve de prudence lorsque vous soulevez le téléviseur alors que le support de table est détaché, car le support de table pourrait se renverser et provoquer des blessures.
- Faites attention lorsque vous retirez le support de table du téléviseur afin d'éviter qu'il ne tombe et endommage la surface sur laquelle repose le téléviseur.

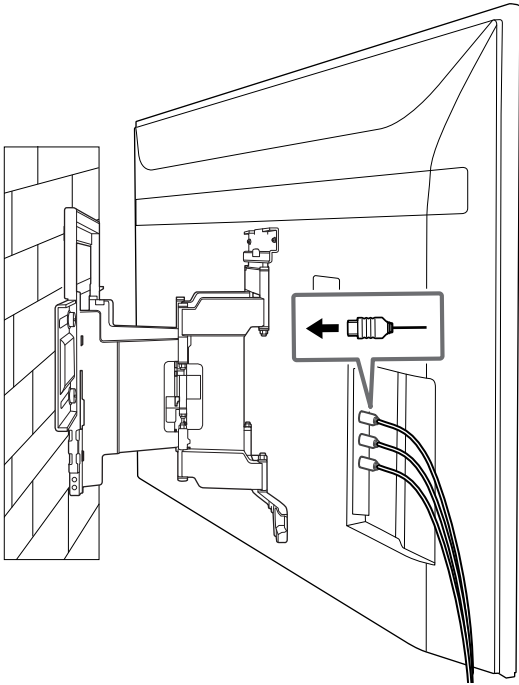
Installation du téléviseur au mur



3 Vissez les côtés gauche et droit du support de fixation murale.

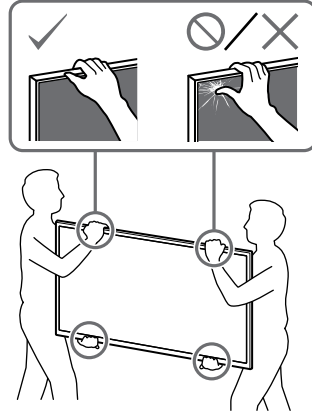


4

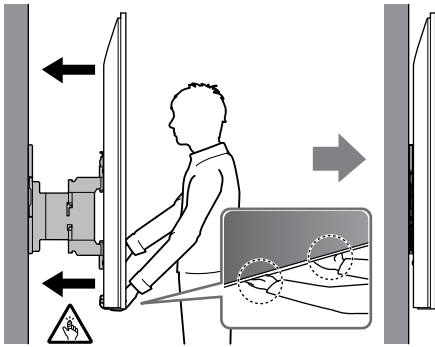


AVERTISSEMENT

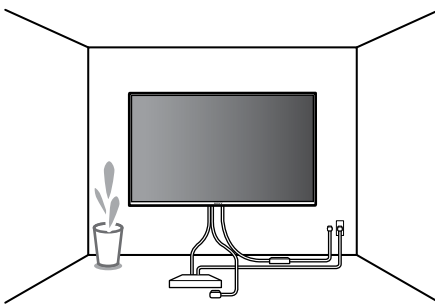
- Deux personnes au moins (trois personnes ou plus pour les téléviseurs de 75 pouces ou plus) doivent soutenir le téléviseur pour le déplacer.



5 Pour déplacer le téléviseur, saisissez-le fermement par sa base.



6



Vérification de l'achèvement de l'installation

Vérifiez les points suivants.

- Le cordon et le câble ne sont pas tordus ou coincés.

AVERTISSEMENT

- Si le cordon d'alimentation CA ou autre n'est pas correctement installé, un court-circuit pourrait survenir et provoquer un incendie ou l'électrocution. Pour votre sécurité, vérifiez que l'installation est effectuée complètement.

Informations complémentaires

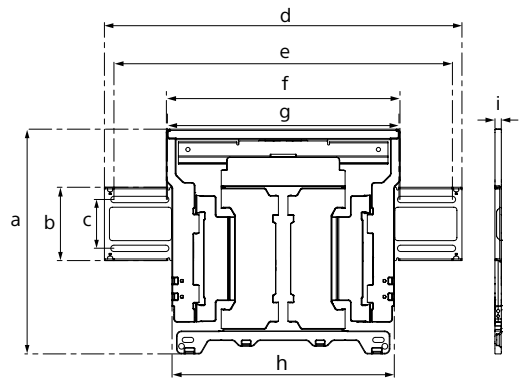
Lors du retrait du téléviseur, inversez la procédure d'installation décrite précédemment.

AVERTISSEMENT

- Deux personnes au moins (trois personnes ou plus pour les téléviseurs de 75 pouces ou plus) doivent soutenir le téléviseur pour le retirer.

Spécifications

WM1



Dimensions : (Environ) [mm]

- a : 354
- b : 116
- c : 77
- d : 563
- e : 533
- f : 370
- g : 368
- h : 350
- i : 11

Poids (base seule) : (Environ) [kg]

3,0

La conception et les spécifications sont sujettes à modification sans préavis.

Información de instalación para usar el Soporte de pared de Sony (SU-WL850)

Modelos compatibles*:

KD-75XH80xx / 65XH81xx / 65XH80xx / 55XH81xx / 55XH80xx

KE-75XH80xx / 65XH81xx / 65XH80xx / 55XH81xx / 55XH80xx

* En los nombres de modelo reales, "xx" indica los números y/o los caracteres específicos de cada modelo.

Información para los clientes

Por motivos de seguridad y protección del producto, Sony recomienda encarecidamente que la instalación del televisor la realice un distribuidor de Sony o un contratista autorizado. No intente realizar la instalación por su cuenta.

Información para los distribuidores y contratistas de Sony

Preste especial atención a la seguridad durante los procesos de instalación, mantenimiento periódico y revisión de este producto.

La instalación de este producto requiere disponer de suficiente experiencia, especialmente para determinar la solidez de la pared para soportar el peso del televisor. Asegúrese de confiar la instalación de este producto en la pared únicamente a distribuidores de Sony o contratistas autorizados, y preste especial atención a la seguridad durante el proceso de instalación. Sony queda exento de cualquier responsabilidad por daños o lesiones ocasionados por una manipulación incorrecta o una instalación inadecuada.

Por su seguridad y para una instalación correcta, siga las Instrucciones de manejo del soporte de pared, la Guía de configuración del televisor y las indicaciones de este manual.

Soporte de pared

Seguridad

Muchas gracias por la adquisición de este producto.

Información para los clientes

Instalación del televisor en una pared



ADVERTENCIA

INSTALACIÓN PROFESIONAL OBLIGATORIA

La instalación de este producto debe dejarse siempre en manos de un instalador profesional con la formación necesaria para determinar si la pared tiene la resistencia suficiente para soportar el peso del televisor. En caso de fijación incorrecta durante la instalación, el televisor puede caerse y provocar lesiones graves. Sony no asumirá responsabilidad alguna por las lesiones o daños causados por una manipulación o instalación incorrectas, o por la instalación de un producto distinto del especificado. Esto no afecta a sus derechos legales (en caso de haberlos).

Información para los distribuidores de Sony

Para la instalación de este producto se requieren conocimientos suficientes. Lea detenidamente este manual de instrucciones para realizar la instalación de manera segura. Sony no se responsabiliza de ningún daño o lesión provocados por una manipulación o instalación incorrectas. Entregue este manual al cliente después de la instalación.

Este manual de instrucciones muestra la manera correcta de manipular el producto, así como precauciones importantes necesarias para evitar accidentes. Es su responsabilidad leer, entender y seguir todas las instrucciones de este manual de instrucciones. Si no las sigue, pueden producirse lesiones físicas graves o daños materiales y también puede quedar sin efecto la garantía. Conserve este manual para poder consultarlo en el futuro.

Los productos de Sony están diseñados pensando en la seguridad. Sin embargo, si los productos se utilizan incorrectamente, pueden producirse lesiones graves a causa de un incendio o una descarga, o al volcarse o caerse el producto. Para evitar tales accidentes, asegúrese de observar las precauciones de seguridad.

PRECAUCIÓN

Productos especificados

El soporte de montaje mural está diseñado para utilizar con los TV especificados en el producto. En el caso de los televisores, consulte su "Guía de referencia" para comprobar que puede utilizarse el soporte de pared.

Información para los clientes

ADVERTENCIA

Si no se tienen en cuenta las siguientes precauciones, existe el peligro de sufrir lesiones graves o incluso de muerte a raíz de un incendio o una descarga eléctrica, o a causa de que el producto se caiga.

Asegúrese de contratar la instalación a contratistas autorizados y mantenga a los niños alejados durante la instalación.

Si el soporte de montaje mural o el televisor no están instalados correctamente, pueden ocurrir los accidentes siguientes. Asegúrese de que la instalación la lleven a cabo contratistas autorizados.

- El televisor podría caerse y provocar lesiones graves como contusiones o fracturas.
- Si la pared en la que se instala el soporte de montaje mural es inestable, desigual o no es perpendicular al suelo, la unidad puede caerse y provocar daños personales o materiales. La pared debe ser capaz de soportar un peso seis veces superior al del televisor como mínimo. (Consulte la "Guía de referencia" de su televisor para conocer su peso.)
- Si la instalación del soporte de montaje mural en la pared no es lo suficientemente resistente, es posible que la unidad se caiga y provoque daños personales o materiales.

Asegúrese de contratar el traslado o el desmontaje del televisor a contratistas autorizados.

Si otras personas que no son contratistas autorizados llevan a cabo el transporte o el desmontaje del televisor, ésta puede caerse y provocar daños personales y materiales. Asegúrese de que dos o más personas (tres o más personas para un televisor de 75 pulgadas o más) transporten o desmonten el televisor.

No quite los tornillos, etc., una vez montado el televisor.

Si lo hace, el televisor puede caerse y provocar daños personales o materiales.

No modifique las piezas del soporte de montaje mural.

Si lo hace, el soporte de montaje mural puede caerse y provocar daños personales o materiales.

No monte ningún otro equipo que no sea el producto especificado.

Este soporte de montaje mural se ha diseñado para utilizarse sólo con el producto especificado. Si monta un equipo distinto del especificado, puede caerse o romperse y provocar daños personales o materiales.

No aplique ningún peso que no sea el propio del televisor en el soporte de montaje mural. No sacuda el televisor hacia la izquierda, la derecha, arriba o abajo.

Si lo hace, el televisor puede caerse y provocar daños personales o materiales.

No se apoye en el televisor ni se cuelgue de éste.

No se apoye en el televisor ni se cuelgue de éste, ya que podría caerle encima y provocarle lesiones graves.

PRECAUCIÓN

Si no se tienen en cuenta las precauciones siguientes, podrían producirse daños personales o materiales.

- Tenga cuidado para evitar pillarse los dedos al manipular el soporte de pared o al girar el televisor.
- Al girar el televisor, manipúlelo con precaución y evite cualquier impacto con otras personas situadas cerca.
- Guarde los componentes que no utilice en un lugar seguro por si los necesita en el futuro. Manténgalos fuera del alcance de los niños.

No manipule el producto con fuerza excesiva cuando realice su limpieza o mantenimiento.

No aplique fuerza excesiva en la parte superior del televisor. Si lo hace, el televisor puede caerse y provocar daños personales o materiales.

Precauciones

- Si utiliza el televisor instalado en el soporte de montaje mural durante un largo período de tiempo, es posible que la pared que quede detrás o encima del televisor se descolore o que, si la pared está empapelada, se despreque el papel, dependiendo del material de la pared.
- Si se quita el soporte de montaje mural después de haber estado instalado en la pared, quedarán los orificios de los tornillos.
- No use el soporte de montaje mural en un lugar en el que pueda sufrir vibraciones mecánicas.

Instalación del soporte del montaje mural

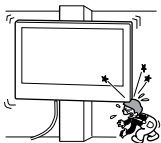
Información para los distribuidores de Sony

ADVERTENCIA

Las instrucciones siguientes están destinadas únicamente a los distribuidores de Sony. Asegúrese de leer las precauciones de seguridad descritas anteriormente y preste especial atención a la seguridad durante la instalación, el mantenimiento y la comprobación de este producto.

No instale el soporte de montaje mural en superficies de paredes en las que puedan sobresalir las esquinas o los lados del televisor.

No instale el soporte de montaje mural en superficies de paredes, tales como una columna, en las que puedan sobresalir las esquinas o los lados del televisor. Si una persona o un objeto se golpea con la esquina o el lado saliente del televisor, pueden producirse daños personales o materiales.

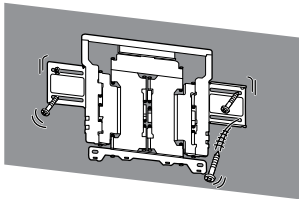


No instale el televisor encima ni debajo de un aparato de aire acondicionado.

Si el televisor queda expuesto a goteo de agua o corriente de aire procedentes del aparato de aire acondicionado durante mucho tiempo, podría producirse un incendio, una descarga eléctrica o un fallo de funcionamiento.

Asegúrese de instalar el soporte de montaje mural firmemente en la pared siguiendo las instrucciones de este manual.

Si alguno de los tornillos queda suelto o se desprende, el soporte de montaje mural puede caerse y provocar daños personales o materiales. Asegúrese de utilizar los tornillos adecuados para el material de la pared y de instalar la unidad de forma segura utilizando cuatro tornillos de 8 mm de diámetro (o equivalentes).



Asegúrese de utilizar correctamente los tornillos y las piezas de sujeción suministrados siguiendo las instrucciones que se describen en este manual. Si utiliza artículos sustitutivos, el televisor podría caerse y dañarse o provocar daños personales.

Efectúe correctamente el montaje del soporte siguiendo el procedimiento descrito en este manual.

Si alguno de los tornillos queda suelto o se desprende, el televisor podría caerse y dañarse o provocar daños personales.

Asegúrese de apretar bien los tornillos en la posición correspondiente.

De lo contrario, el televisor podría caerse y dañarse o provocar daños personales.

Procure que el televisor no reciba golpes durante la instalación.

Si el televisor recibe algún golpe, puede caerse o romperse. Tales percances podrían causar heridas personales.

Asegúrese de instalar el televisor en una pared que sea perpendicular y plana.

De lo contrario, el televisor podría caerse y provocar daños personales.

Una vez que haya instalado correctamente el televisor, fije adecuadamente los cables.

Si alguna persona u objeto se enreda con los cables, correrá el peligro de sufrir heridas personales o de dañarse el televisor.

Evite que el cable de alimentación de CA o el cable de conexión queden atrapados.

Si el cable de alimentación de CA o el cable de conexión quedan atrapados entre la unidad y la pared o si se doblan o tuercen con fuerza, es posible que los conductores internos queden expuestos y que provoquen un cortocircuito o corte eléctrico. Esto podría originar un incendio o producir descargas eléctricas.



Los tornillos necesarios para fijar el soporte de montaje mural a la pared no están incluidos.

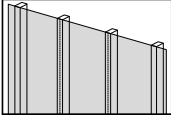
Utilice los tornillos adecuados para el material y la estructura de la pared en la que se proponga montar el soporte de montaje mural.

Antes de empezar

En primer lugar, compruebe el tipo de pared donde se instalará el TV.

¿De qué material es la pared?

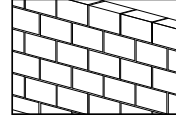
Pared de cartón yeso con puntales



Precauciones

- Grosor máximo de la pared de cartón yeso: 16 mm.
- Asegúrese de que el tamaño del puntal de madera interno sea como mínimo de 51 x 102 mm (estándar) o 38 x 89 mm (nominal).
- Deje un espacio horizontal mínimo de 406 mm entre los mecanismos de sujeción.

Hormigón en masa o bloque de hormigón



Precauciones

- Monte el soporte de pared directamente en la pared de hormigón en masa.
- Asegúrese de que el grosor de la pared de hormigón en masa es como mínimo de 203 mm.
- Compruebe que el tamaño de cada bloque de hormigón sea como mínimo de 203 x 203 x 406 mm.

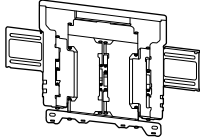

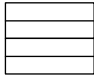

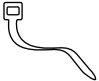
Preparación para la instalación

- Tenga a mano la Guía de referencia y la Guía de configuración del televisor antes de la instalación.
- Confirme la posición de instalación del televisor.
- Prepare cuatro tornillos de 8 mm de diámetro y cuatro arandelas adecuadas (no suministradas).
Elija los tornillos adecuados para el material de la pared.

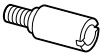
Verificación de las piezas

Suministrado con SU-WL850

- Compruebe que se hayan suministrado todas las piezas.



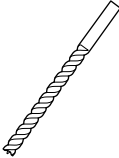
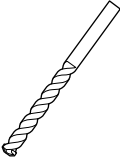
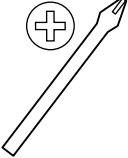




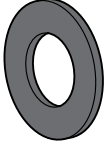


A WM1 (1) 	B WM2 (1) 
C WM3 (4) 	D M6 (4) 
E WT1 (6) 	

Suministrado con el televisor

VS Soporte para montaje en pared (4) 
--



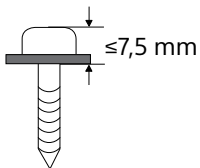
Herramientas necesarias

*1 		 5,5 mm	 10 mm	
*2 		 1,5 N·m {15 kgf·cm}		
*3  (4)	*2  (4)	*3  (4) 8 mm x 60 mm		

*1 Solo para paredes de cartón yeso con puntales

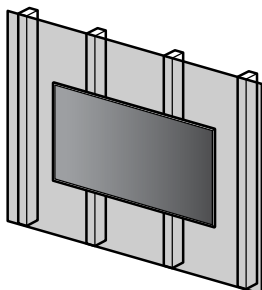
*2 Solo para paredes de hormigón en masa o bloque de hormigón

*3 Seleccione con atención los tornillos y las arandelas

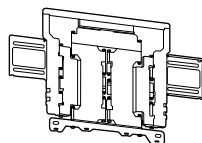


A Montaje del TV en una pared de cartón yeso con puntales

Pared de cartón yeso con puntales



WM1

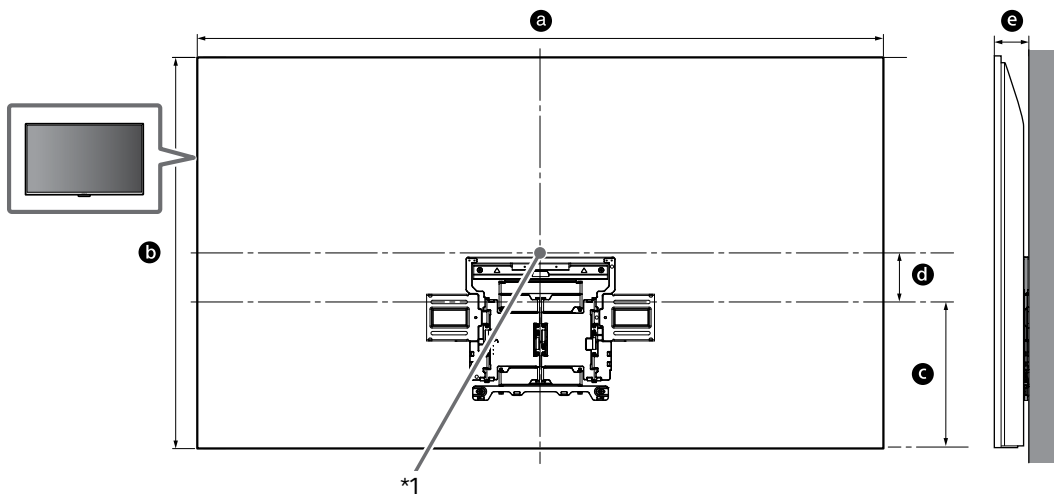


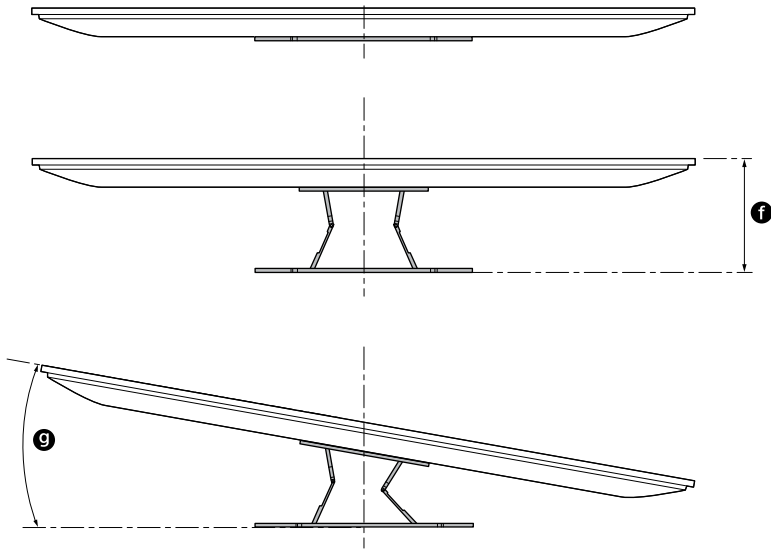
Instalación del soporte de pared en la pared

1 Decida la ubicación de instalación.

Asegúrese de que haya suficiente espacio en la pared para el televisor y de que la pared pueda soportar un peso al menos cuatro veces superior al del televisor.

Consulte la siguiente tabla acerca de la instalación del televisor en la pared. Para conocer el peso del televisor, consulte la Guía de referencia del televisor.





(mm)

Nombre del modelo	a	b	c	d	e	f*2	g*2 (°)
KD-75XH80xx	1 686	969	364	123	86	288	15
KE-75XH80xx							
KD-65XH81xx	1 462	841	365	59	83	287	18
KE-65XH81xx							
KD-65XH80xx							
KE-65XH80xx							
KD-55XH81xx	1 243	718	365	3	83	287	20
KE-55XH81xx							
KD-55XH80xx							
KE-55XH80xx							

Tabla de dimensiones de instalación del televisor (mm)
Las cifras de la tabla pueden ser distintas según la instalación.

*1 (Punto del centro de la pantalla)

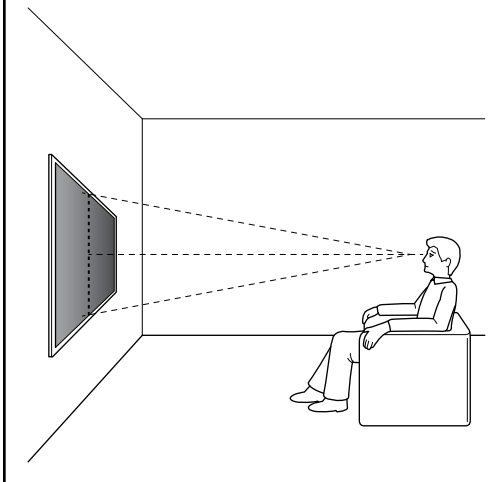
*2 (Aprox.)

Nota

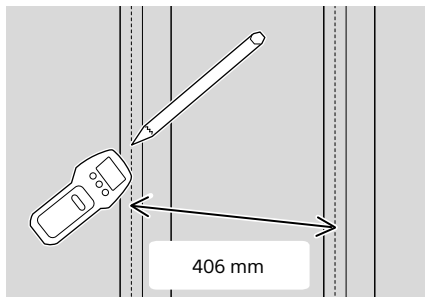
- Cuando el televisor está instalado en la pared, el lado superior del televisor está ligeramente inclinado hacia delante.

Nota

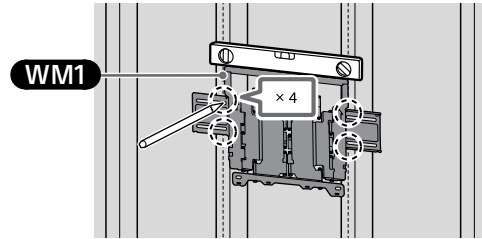
- Le recomendamos que compruebe la posición del televisor desde el lugar donde mirará la televisión.



2



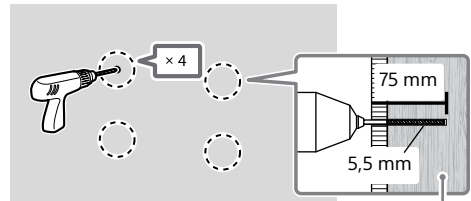
3 Alinee **WM1** con la pared y realice cuatro marcas alineadas con los puntales.



Nota

- Use un nivel para comprobar que el **WM1** queda recto.

4 Taladre los agujeros guía superiores en las marcas.

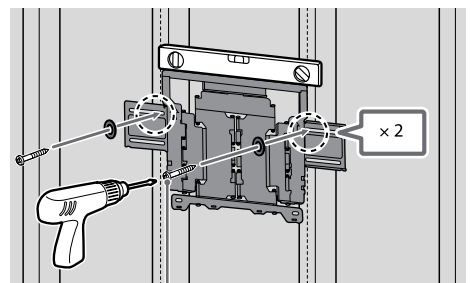


Puntal o refuerzo

Nota

- Los agujeros guía deben tener una profundidad de 75 mm y deben taladrarse usando una broca de 5,5 mm de diámetro.

5 Instale **WM1** en la pared usando los tornillos (no suministrados) y las arandelas (no suministradas) adecuados.



8 mm x 60 mm

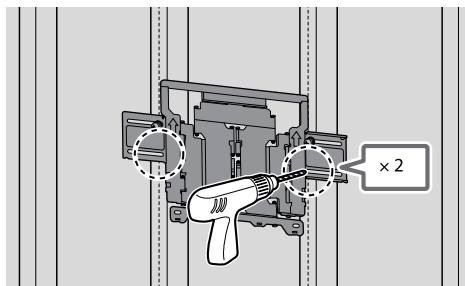
Nota

- Use un nivel para comprobar que el **WM1** queda recto.

Precaución

- No apriete en exceso el tornillo de madera de 8 mm x 60 mm. Un apriete incorrecto podría reducir la capacidad de retención del tornillo de madera de 8 mm x 60 mm.

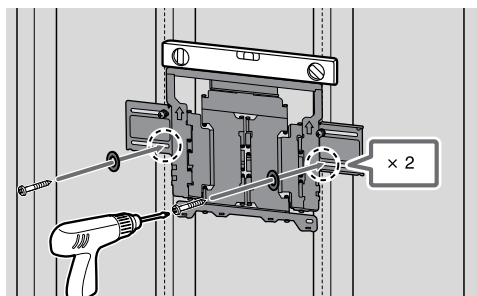
- 6 Taladre los agujeros guía inferiores en las marcas.
(Consulte el paso 4 para ver las instrucciones para taladrar.)



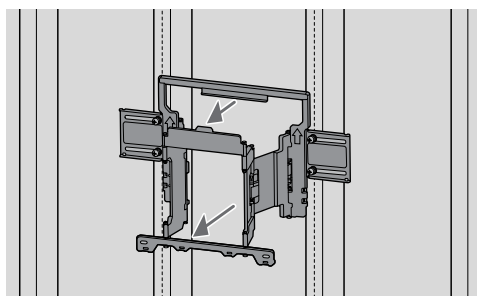
- 7 Coloque los tornillos y las arandelas adecuados en los agujeros.

Nota

- Utilice un nivel para comprobar que el soporte de pared queda recto.

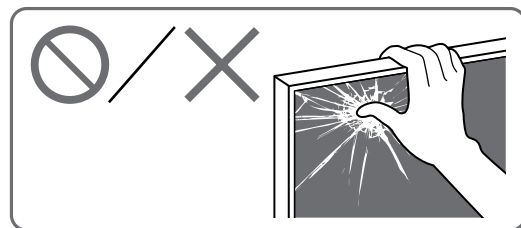


- 8 Extienda el brazo del soporte hasta el tope.

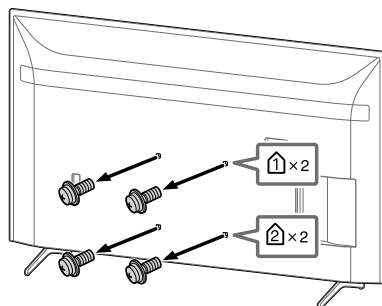


Preparación para instalar el televisor

Asegúrese de montar el soporte de sobremesa antes de instalar el televisor en la pared según las instrucciones de la Guía de configuración.



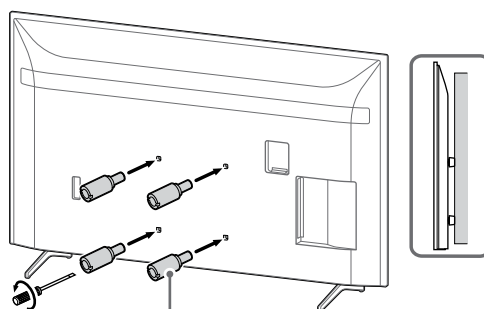
- 1 Quite los tornillos de la parte trasera del televisor.



Nota

- Asegúrese de guardar los tornillos retirados y las piezas no utilizadas en un lugar seguro, lejos del alcance de los niños.

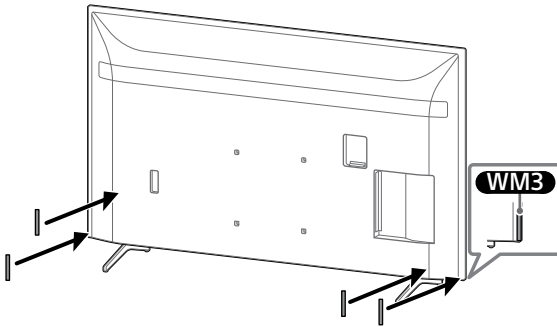
- 2 Una la unión de pared (suministrada con el televisor) a la parte trasera del televisor (para que esté en paralelo a la pared).



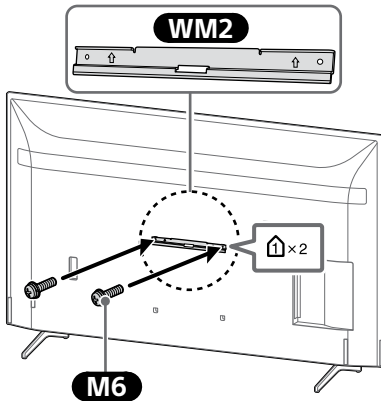
1,5 N·m
{15 kgf·cm}

VS

3 Monte el WM3.

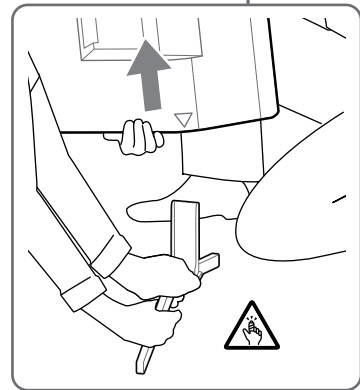
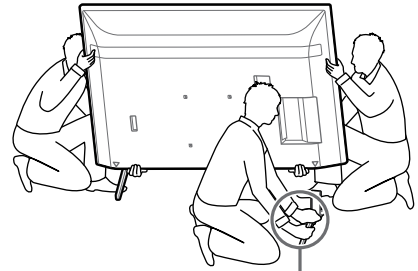


4 Fije el WM2 en el TV usando M6.



5 Desinstale el soporte de sobremesa del televisor.

- Retire de a una las esquinas del soporte de sobremesa. Sujete con firmeza el soporte de sobremesa con ambas manos de forma segura mientras otras personas levantan el televisor.

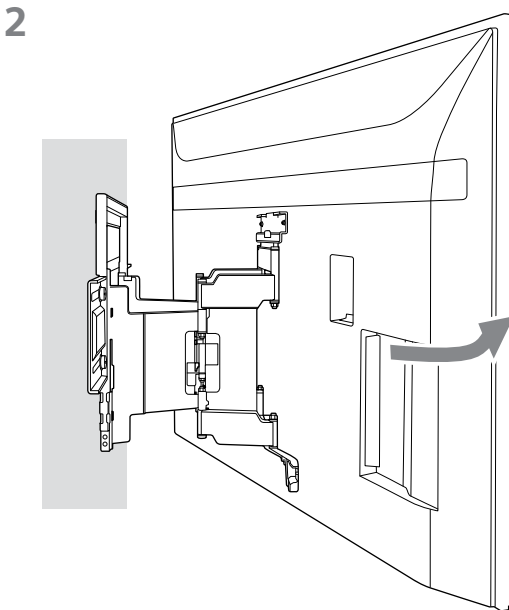
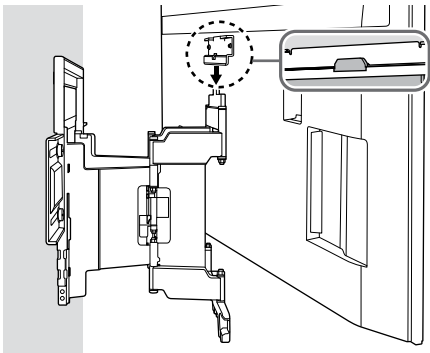
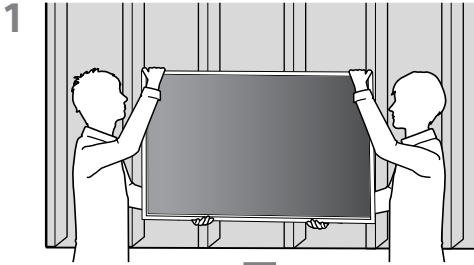


- Repita el paso anterior y retire la otra esquina del soporte de sobremesa.

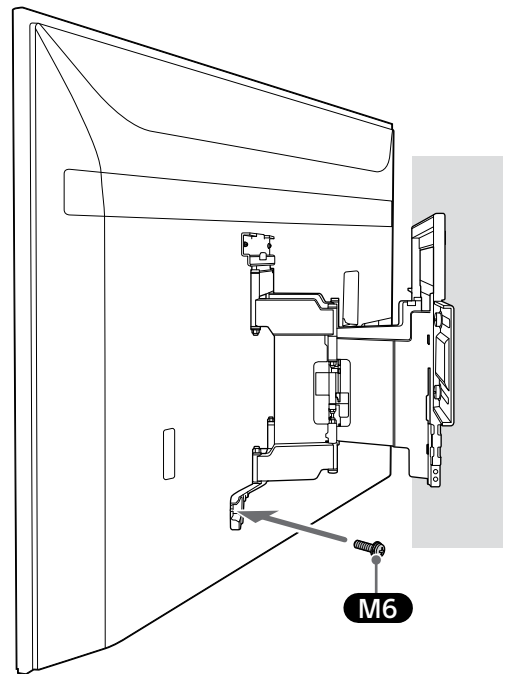
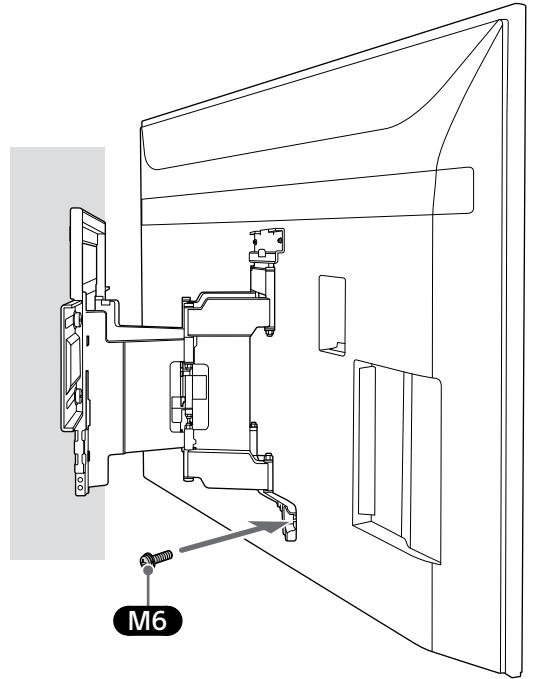
Nota

- Se necesitan tres o más personas para desmontar el soporte de sobremesa.
- Tenga cuidado de no aplicar fuerza excesiva mientras desmonta el soporte de sobremesa del televisor, ya que podría caerse y provocar daños personales o materiales.
- Manipule el soporte de sobremesa con cuidado para no dañar el televisor.
- Tenga cuidado al levantar el televisor ya que si se desprende el soporte de sobremesa, este podría desequilibrarse y provocar lesiones personales.
- Tenga cuidado al retirar el soporte de sobremesa del televisor para evitar que se caiga y dañe la superficie sobre la que está el televisor.

Instalación del televisor en la pared

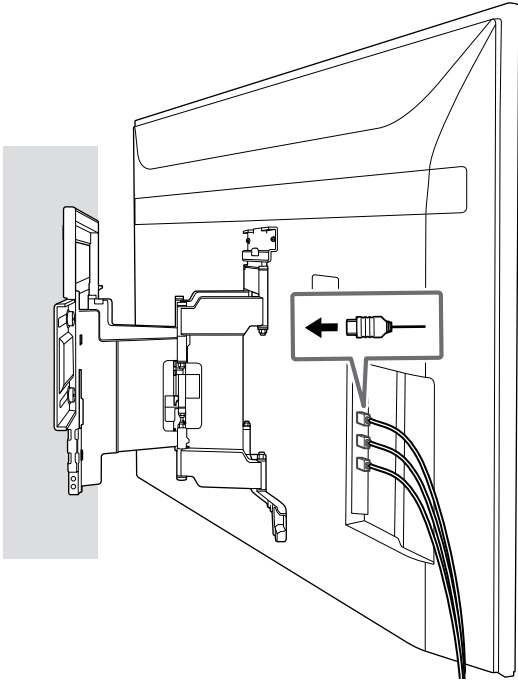


- 3 Atornille el lado izquierdo y el lado derecho del soporte de pared.



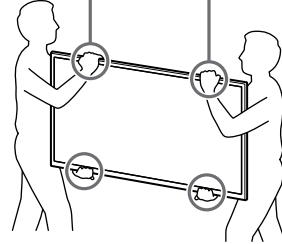
ES

4

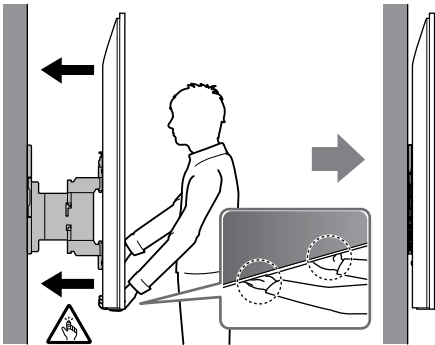


ADVERTENCIA

- Asegúrese de que dos o más personas (tres o más personas para un televisor de 75 pulgadas o más) sujeten el televisor para transportarlo.



5 Al mover el televisor, sujételo con fuerza por la base.



Confirmación del final de la instalación

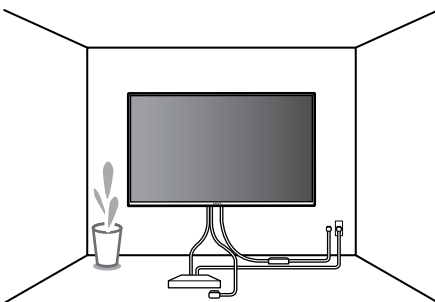
Verifique los siguientes puntos.

- Que los cables no estén retorcidos ni atrapados.

ADVERTENCIA

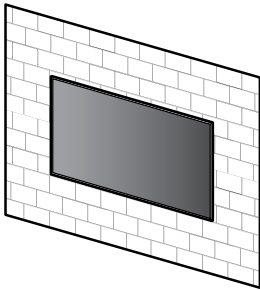
- La colocación inadecuada del cable de alimentación de CA, etc., puede ser causa de un incendio o de descargas eléctricas debido a un cortocircuito. Por razones de seguridad, no olvide confirmar que haya finalizado la instalación.

6

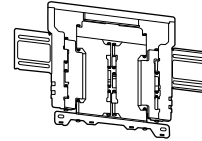


B Instalación del soporte de pared en una pared de hormigón en masa o bloque de hormigón

Hormigón en masa o bloque de hormigón



WM1

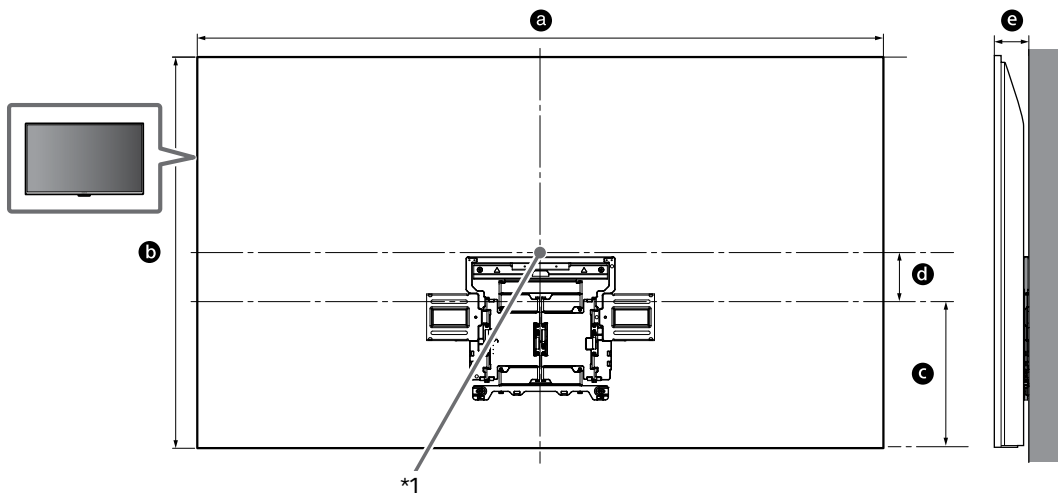


Instalación del soporte de pared en la pared

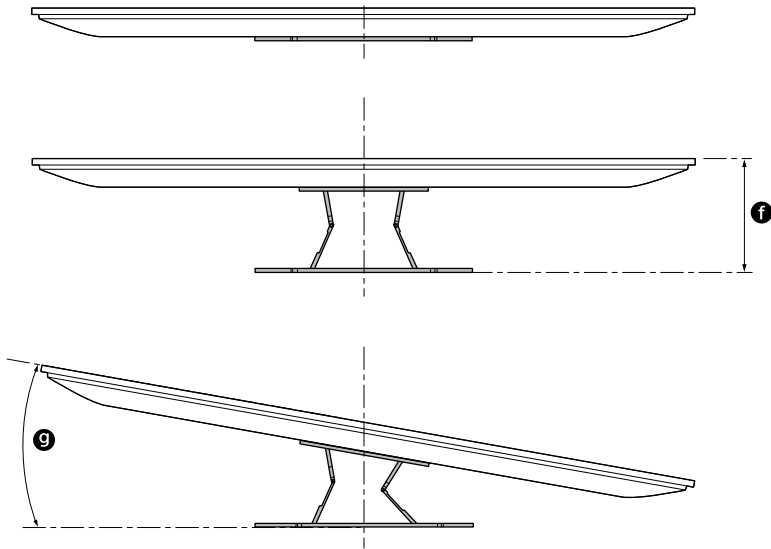
1 Decida la ubicación de instalación.

Asegúrese de que haya suficiente espacio en la pared para el televisor y de que la pared pueda soportar un peso al menos cuatro veces superior al del televisor.

Consulte la siguiente tabla acerca de la instalación del televisor en la pared. Para conocer el peso del televisor, consulte la Guía de referencia del televisor.



ES



(mm)

Nombre del modelo	a	b	c	d	e	f*2	g*2 (°)
KD-75XH80xx	1 686	969	364	123	86	288	15
KE-75XH80xx							
KD-65XH81xx	1 462	841	365	59	83	287	18
KE-65XH81xx							
KD-65XH80xx							
KE-65XH80xx							
KD-55XH81xx	1 243	718	365	3	83	287	20
KE-55XH81xx							
KD-55XH80xx							
KE-55XH80xx							

Tabla de dimensiones de instalación del televisor (mm)

Las cifras de la tabla pueden ser distintas según la instalación.

*1 (Punto del centro de la pantalla)

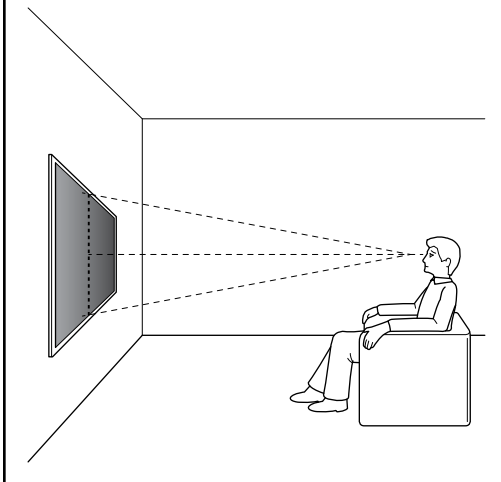
*2 (Aprox.)

Nota

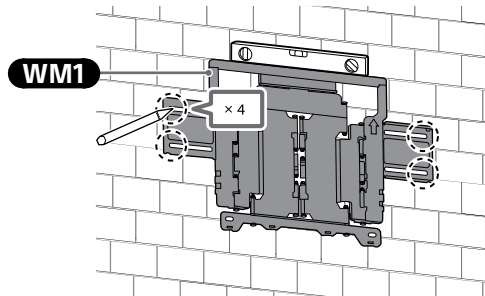
- Cuando el televisor está instalado en la pared, el lado superior del televisor está ligeramente inclinado hacia delante.

Nota

- Le recomendamos que compruebe la posición del televisor desde el lugar donde mirará la televisión.

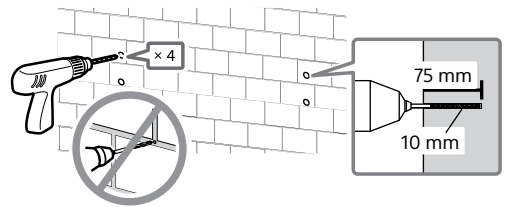


2 Alinee **WM1** con la pared y realice cuatro marcas.

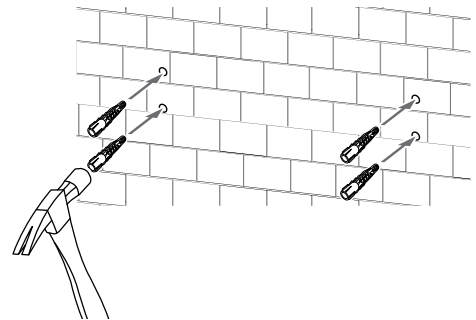
**Nota**

- Use un nivel para comprobar que el **WM1** queda recto.

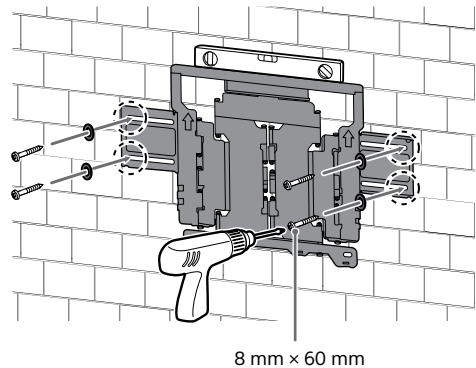
3 Taladre los orificios en las marcas.



4



5 Instale **WM1** en la pared usando los tornillos (no suministrados) y las arandelas (no suministradas) adecuados.

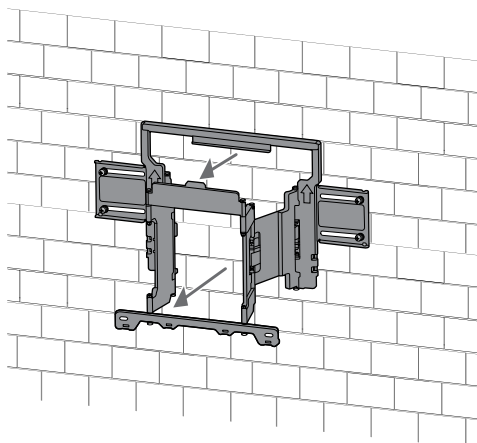
**Nota**

- Utilice un nivel para comprobar que el soporte de pared queda recto.

Precaución

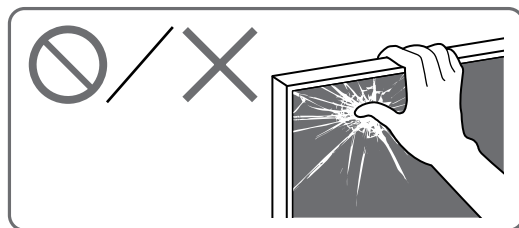
- No apriete en exceso el tornillo de madera de 8 mm x 60 mm. Un apriete incorrecto podría reducir la capacidad de retención del tornillo de madera de 8 mm x 60 mm.

- 6 Extienda el brazo del soporte hasta el tope.

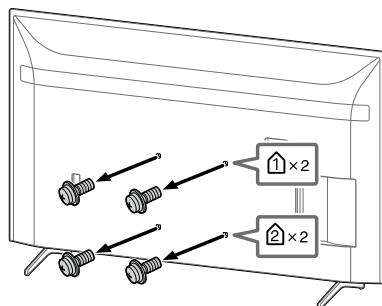


Preparación para instalar el televisor

Asegúrese de montar el soporte de sobremesa antes de instalar el televisor en la pared según las instrucciones de la Guía de configuración.



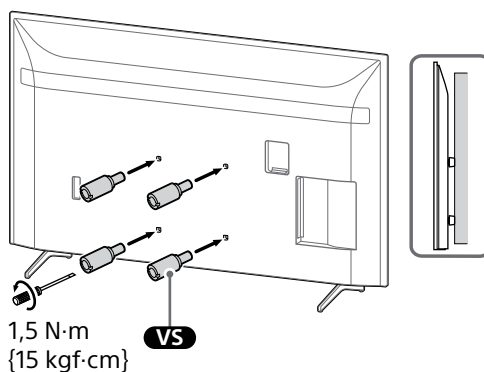
- 1 Quite los tornillos de la parte trasera del televisor.



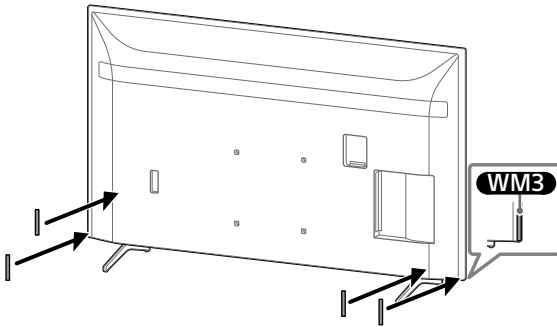
Nota

- Asegúrese de guardar los tornillos retirados y las piezas no utilizadas en un lugar seguro, lejos del alcance de los niños.

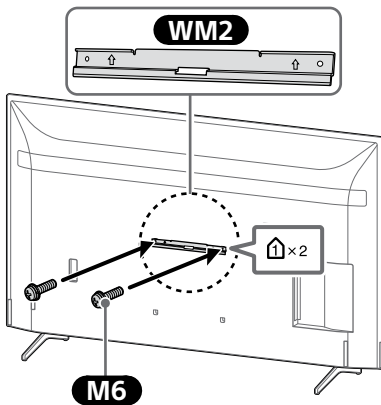
- 2 Una la unión de pared (suministrada con el televisor) a la parte trasera del televisor (para que esté en paralelo a la pared).



3 Monte el **WM3**.

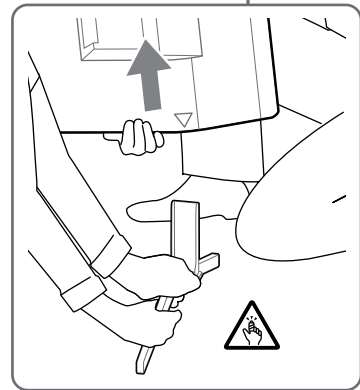
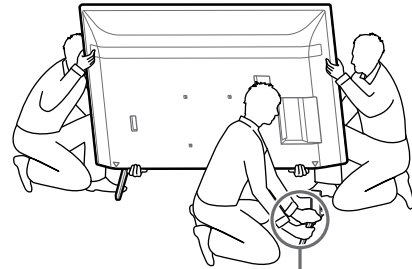


4 Fije el **WM2** en el TV usando **M6**.



5 Desinstale el soporte de sobremesa del televisor.

- Retire de a una las esquinas del soporte de sobremesa. Sujete con firmeza el soporte de sobremesa con ambas manos de forma segura mientras otras personas levantan el televisor.

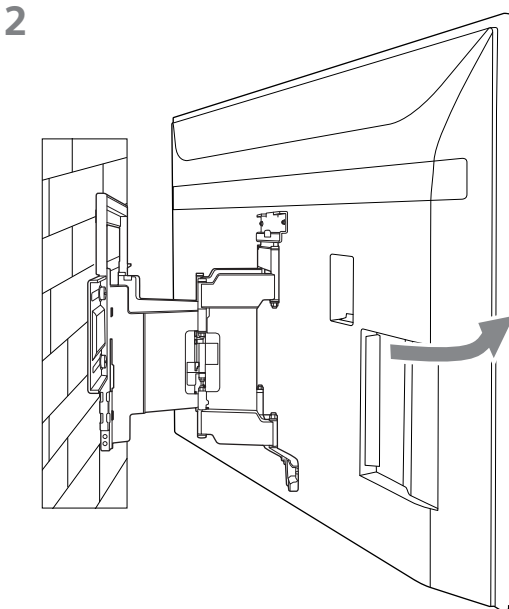
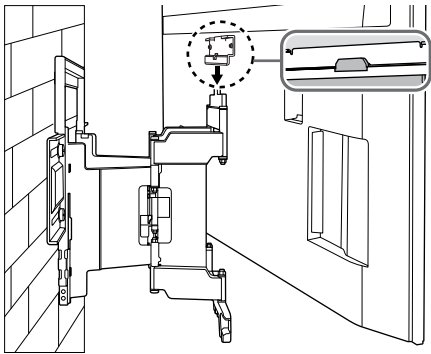
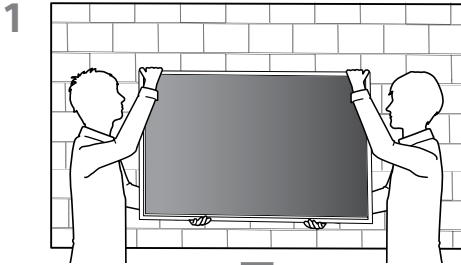


- Repita el paso anterior y retire la otra esquina del soporte de sobremesa.

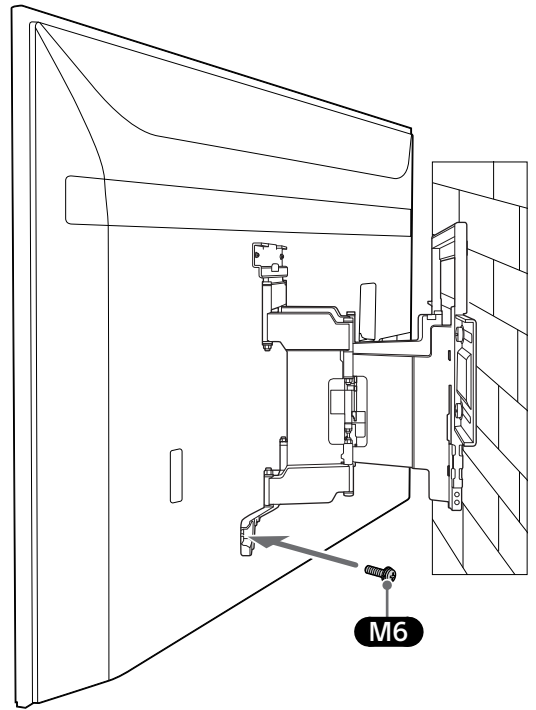
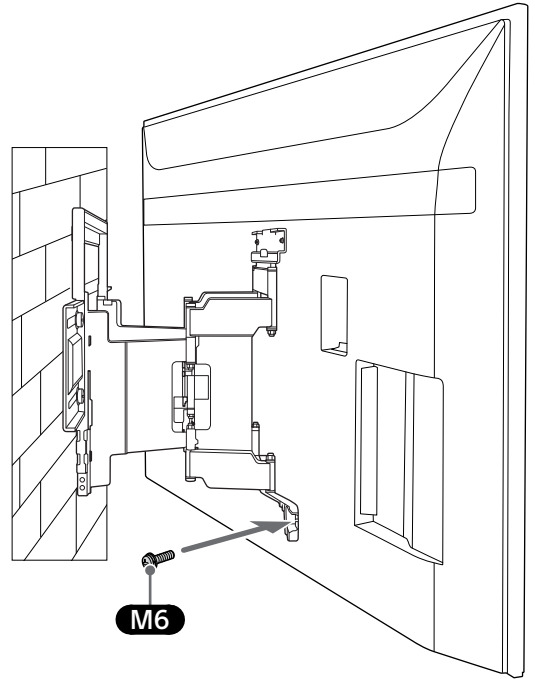
Nota

- Se necesitan tres o más personas para desmontar el soporte de sobremesa.
- Tenga cuidado de no aplicar fuerza excesiva mientras desmonta el soporte de sobremesa del televisor, ya que podría caerse y provocar daños personales o materiales.
- Manipule el soporte de sobremesa con cuidado para no dañar el televisor.
- Tenga cuidado al levantar el televisor ya que si se desprende el soporte de sobremesa, este podría desequilibrarse y provocar lesiones personales.
- Tenga cuidado al retirar el soporte de sobremesa del televisor para evitar que se caiga y dañe la superficie sobre la que está el televisor.

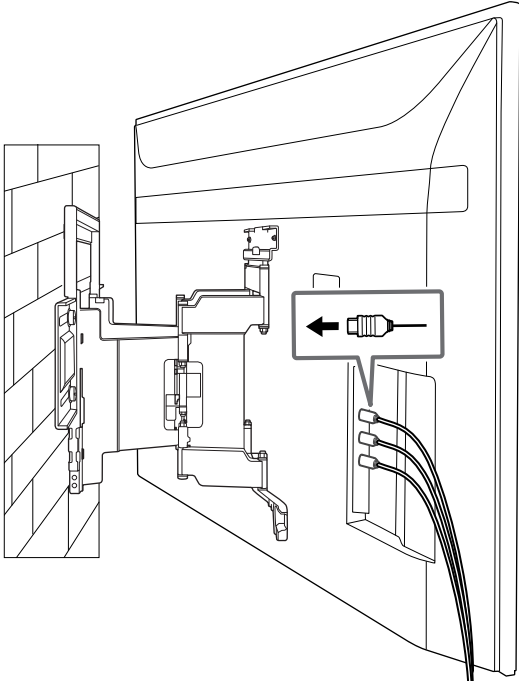
Instalación del televisor en la pared



- 3 Atornille el lado izquierdo y el lado derecho del soporte de pared.

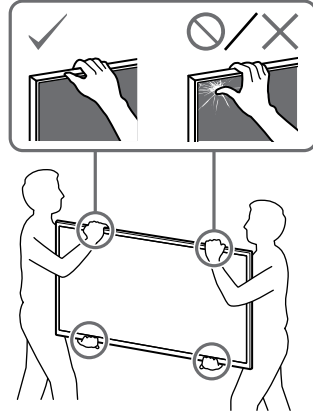


4

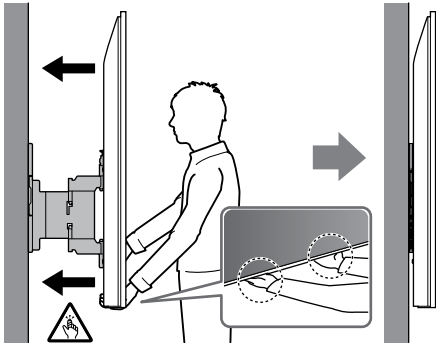


ADVERTENCIA

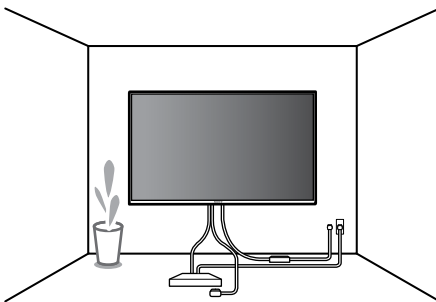
- Asegúrese de que dos o más personas (tres o más personas para un televisor de 75 pulgadas o más) sujeten el televisor para transportarlo.



5 Al mover el televisor, sujételo con fuerza por la base.



6



ES

Confirmación del final de la instalación

Verifique los siguientes puntos.

- Que los cables no estén retorcidos ni atrapados.

ADVERTENCIA

- La colocación inadecuada del cable de alimentación de CA, etc., puede ser causa de un incendio o de descargas eléctricas debido a un cortocircuito. Por razones de seguridad, no olvide confirmar que haya finalizado la instalación.

Información adicional

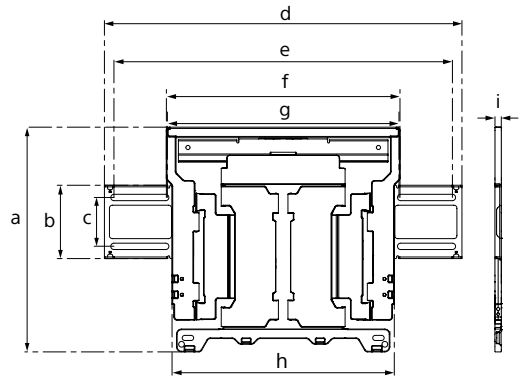
Para retirar el televisor, lleve a cabo el procedimiento de instalación a la inversa.

ADVERTENCIA

- Asegúrese de que dos o más personas (tres o más personas para un televisor de 75 pulgadas o más) sujeten el televisor para retirarlo.

Especificaciones

WM1



Dimensiones: (aprox.) [mm]

a : 354
b : 116
c : 77
d : 563
e : 533
f : 370
g : 368
h : 350
i : 11

Peso (solo base): (aprox.) [kg]

3,0

El diseño y las especificaciones están sujetos a cambios sin previo aviso.

Installationsinformationen zum Verwenden der Wandhalterung (SU-WL850) von Sony

Unterstützte Modelle*:

KD-75XH80xx / 65XH81xx / 65XH80xx / 55XH81xx / 55XH80xx

KE-75XH80xx / 65XH81xx / 65XH80xx / 55XH81xx / 55XH80xx

* „xx“ steht für Zahlen und/oder Zeichen, die im eigentlichen Modellnamen für das jeweilige Modell eindeutig sind.

Für den Kunden

Zum Schutz des Produkts und aus Sicherheitsgründen empfiehlt Sony dringend, die Installation des Fernsehgeräts von einem Sony-Händler oder lizenzierten Fachleuten ausführen zu lassen. Versuchen Sie nicht, das Fernsehgerät selbst zu installieren.

Für Sony-Händler und Montagefachleute

Achten Sie bei der Installation, der regelmäßigen Wartung und der Überprüfung des Produkts in erster Linie auf Sicherheit.

Zur Installation dieses Produkts sind Fachkenntnisse erforderlich, insbesondere um die Tragfähigkeit der Wand für das Gewicht des Fernsehgeräts sicherzustellen. Überlassen Sie die Montage dieses Produkts an der Wand unbedingt Sony-Händlern oder lizenzierten Fachleuten und ergreifen Sie bei der Montage geeignete Sicherheitsmaßnahmen. Sony übernimmt keine Haftung für Verletzungen bzw. Sachschäden, die durch unsachgemäßen Umgang mit dem Produkt oder eine fehlerhafte Montage entstehen.

Befolgen Sie aus Gründen der Sicherheit und der ordnungsgemäßen Installation die Bedienungsanleitung für die Wandhalterung, das Einrichtungshandbuch für das Fernsehgerät und die Anweisungen in diesem Handbuch.

Wandhalterung

Hinweise zur Sicherheit

Vielen Dank, dass Sie sich für dieses Produkt entschieden haben.

Für den Kunden

Montieren des Fernsehgeräts an der Wand



WARNUNG

**INSTALLATION DURCH EINEN FACHMANN
ERFORDERLICH**

Dieses Produkt sollte nur von einem professionellen Monteur installiert werden, der darin geschult ist, die Stärke der Wand zu bestimmen, die das Gewicht des Fernsehgeräts tragen muss. Wenn das Gerät während der Installation nicht ordnungsgemäß gesichert wird, kann das Fernsehgerät herunterfallen und schwerwiegende Verletzungen verursachen. Sony ist nicht haftbar für Schäden oder Verletzungen, die durch einen fehlerhaften Umgang oder die unsachgemäße Installation bzw. die Installation eines anderen als des angegebenen Produkts verursacht wurden. Ihre gesetzlichen Rechte (wenn zutreffend) sind davon nicht betroffen.

An die Sony-Händler

Zur Montage dieses Produkts sind ausreichende Fachkenntnisse erforderlich. Lesen Sie sich diese Anleitung unbedingt sorgfältig durch, um die Montagearbeiten sicher durchzuführen. Sony übernimmt keine Haftung für Schäden oder Verletzungen durch die fehlerhafte Handhabung oder eine unsachgemäße Montage. Händigen Sie diese Anleitung nach der Montage dem Kunden aus.

Diese Bedienungsanleitung zeigt die richtige Handhabung des Produkts und wichtige Sicherheitshinweise, die notwendig sind, um Unfälle zu vermeiden. Es liegt in Ihrer Verantwortung, alle Anweisungen in dieser Bedienungsanleitung zu lesen, sie genau zu verstehen und zu befolgen. Andernfalls kann es zu schwerwiegenden Personen- oder Sachschäden bzw. zu einem Erlöschen der Garantie kommen. Bewahren Sie diese Anleitung zum künftigen Nachschlagen auf.

Produkte von Sony wurden im Hinblick auf die Sicherheit entwickelt. Wenn die Produkte aber falsch verwendet werden, kann dies zu schwerwiegenden Verletzungen durch Feuer, Stromschlag, das Kippen des Produkts oder das Herunterfallen des Produkts führen. Beachten Sie unbedingt die Sicherheitshinweise, um solche Unfälle zu vermeiden.

VORSICHT

Angegebene Produkte

Diese Wandhalterung wurde zur Verwendung mit den angegebenen Fernsehgeräten entwickelt. Beachten Sie bei Fernsehgeräten deren „Referenzanleitung“, um zu verifizieren, dass die Wandhalterung verwendet werden kann.

Für den Kunden

WARNUNG

Wenn die folgenden Sicherheitshinweise nicht beachtet werden, kann es zu schwerwiegenden Verletzungen oder Tod durch Feuer, Stromschlag oder das Herunterfallen des Produkts kommen.

Überlassen Sie die Montage einem lizenzierten Fachmann und halten Sie kleine Kinder während der Montage fern.

Wenn die Wandhalterung oder das Fernsehgerät nicht korrekt montiert werden, kann es zu den folgenden Unfällen kommen. Achten Sie darauf, dass die Montage durch einen lizenzierten Fachmann ausgeführt wird.

- Das Fernsehgerät kann herunterfallen und schwerwiegenden Verletzungen wie Prellungen oder Brüche verursachen.
- Wenn die Wand, an der die Wandhalterung montiert werden soll, instabil, uneben oder nicht senkrecht zum Boden ist, kann das Gerät herunterfallen und Verletzungen oder Sachschäden verursachen. Die Wand sollte mindestens das sechsfache Gewicht des Fernsehgeräts tragen können. (Informationen zum Gewicht finden Sie in der „Referenzanleitung“ des Fernsehgeräts.)
- Wenn die Montage der Wandhalterung an der Wand nicht ausreichend stabil ist, kann das Gerät herunterfallen und Verletzungen oder Sachschäden verursachen.

Überlassen Sie die Umpositionierung bzw. den Abbau des Fernsehgeräts einem lizenzierten Fachmann.

Wenn andere Personen als ein lizenziertes Fachmann den Transport oder Abbau des Fernsehgeräts übernehmen, kann es herunterfallen und Verletzungen oder Sachschäden verursachen. Achten Sie darauf, dass zwei oder mehr Personen (drei oder mehr Personen ab 75-Zoll-Fernsehgerät) das Fernsehgerät tragen oder demontieren.

Entfernen Sie keine Schrauben usw., nachdem Sie das Fernsehgerät montiert haben.

Andernfalls kann das Fernsehgerät herunterfallen und Verletzungen oder Sachschäden verursachen.

Nehmen Sie keine Veränderungen an Teilen der Wandhalterung vor.

Andernfalls kann die Wandhalterung herunterfallen und Verletzungen oder Sachschäden verursachen.

Montieren Sie keine Geräte außer dem angegebenen Produkt.

Diese Wandhalterung wurde nur zur Verwendung mit dem angegebenen Produkt entwickelt. Wenn Sie andere als das angegebene Gerät montieren, kann sie herunterfallen oder brechen und Verletzungen oder Sachschäden verursachen.

Belasten Sie die Wandhalterung nur mit dem Gewicht des Fernsehgeräts. Setzen Sie das Fernsehgerät keinen Erschütterungen nach links/rechts oder oben/unten aus.

Andernfalls kann das Fernsehgerät herunterfallen und Verletzungen oder Sachschäden verursachen.

Lehnen und hängen Sie sich nicht an das Fernsehgerät.

Lehnen und hängen Sie sich nicht an das Fernsehgerät, da es auf Sie fallen und schwerwiegende Verletzungen verursachen könnte.

VORSICHT

Wenn die folgenden Sicherheitshinweise nicht beachtet werden, kann es zu Verletzungen oder Sachschäden kommen.

- Achten Sie darauf, dass Sie sich nicht die Finger einklemmen, während Sie mit der Wandhalterung arbeiten oder das Fernsehgerät drehen.
- Gehen Sie beim Schwenken des Fernsehgeräts vorsichtig vor und achten Sie darauf, dass Sie keine Personen in der Nähe treffen.
- Lagern Sie die nicht verwendeten Teile unbedingt zur künftigen Verwendung an einem sicheren Ort. Halten Sie sie von Kindern fern.

Üben Sie während der Reinigung oder Wartung keine übermäßige Gewalt auf das Produkt aus.

Üben Sie keine übermäßige Gewalt auf die Oberseite des Fernsehgeräts aus. Andernfalls kann das Fernsehgerät herunterfallen und Verletzungen oder Sachschäden verursachen.

Vorsichtshinweise

- Wenn Sie das Fernsehgerät längere Zeit verwenden, wenn es an der Wandhalterung angebracht ist, kann sich, abhängig vom Material der Wand, die Wand hinter oder über dem Fernsehgerät verfärben oder die Tapete kann sich lösen.
- Wenn die Wandhalterung nach der Montage an der Wand entfernt wird, verbleiben die Schraubenbohrungen.
- Verwenden Sie die Wandhalterung nicht an Orten, an denen sie mechanischen Vibrationen ausgesetzt ist.

Montieren der Wandhalterung

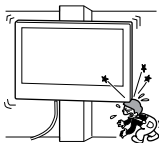
An die Sony-Händler

WARNUNG

Die folgenden Anweisungen gelten nur für Sony-Händler. Lesen Sie sich unbedingt die oben aufgeführten Sicherheitshinweise durch und achten Sie während der Montage, Wartung und Überprüfung des Produkts insbesondere auf die Sicherheit.

Installieren Sie die Wandhalterung nicht auf einer Wandfläche, bei der die Ecken der Kanten des Fernsehgeräts über die Wandfläche hinausragen.

Installieren Sie die Wandhalterung nicht auf einer Wandfläche, wie einer Säule, bei der die Ecken der Kanten des Fernsehgeräts über die Wandfläche hinausragen. Wenn eine Person oder ein Objekt gegen die vorstehende Ecke oder Seite des Fernsehgeräts stößt, kann es zu Verletzungen oder Sachschäden kommen.

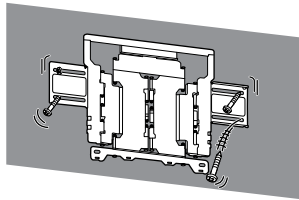


Montieren Sie das Fernsehgerät nicht über oder unter einem Klimagerät.

Wenn das Fernsehgerät längere Zeit austretendem Wasser oder dem Luftstrom einer Klimaanlage ausgesetzt ist, kann es zu einem Brand, Stromschlag oder einer Fehlfunktion des Fernsehgeräts kommen.

Achten Sie darauf, die Wandhalterung entsprechend den Anweisungen in dieser Bedienungsanleitung sicher an der Wand zu montieren.

Wenn Schrauben locker sind oder herausfallen, kann die Wandhalterung herunterfallen und Verletzungen oder Sachschäden verursachen. Achten Sie darauf, dass Sie passende Schrauben für das Material der Wand verwenden, und installieren Sie das Gerät sicher mit vier Schrauben mit einem Durchmesser von 8 mm (oder entsprechend).



Verwenden Sie unbedingt die mitgelieferten Schrauben und Befestigungsteile entsprechend den Anweisungen in dieser Bedienungsanleitung. Wenn Sie andere Teile verwenden, kann das Fernsehgerät herunterfallen und Personenschäden oder Schäden am Fernsehgerät verursachen.

Bauen Sie die Halterung ordnungsgemäß entsprechend den in dieser Bedienungsanleitung beschriebenen Schritten zusammen.

Wenn die Schrauben lose sind oder herausfallen, kann das Fernsehgerät herunterfallen und Personenschäden oder Schäden am Fernsehgerät verursachen.

Ziehen Sie die Schrauben unbedingt an den dafür vorgesehenen Positionen fest.

Andernfalls kann das Fernsehgerät herunterfallen und Personenschäden oder Schäden am Fernsehgerät verursachen.

Achten Sie darauf, das Fernsehgerät während der Montage keinen Erschütterungen auszusetzen.

Wenn das Fernsehgerät Erschütterungen ausgesetzt wird, kann es herunterfallen oder brechen. Dies kann zu Verletzungen führen.

Achten Sie darauf, das Fernsehgerät an einer Wand zu montieren, die senkrecht und eben ist.

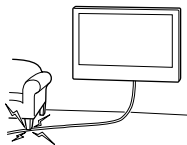
Andernfalls kann das Fernsehgerät herunterfallen und Verletzungen verursachen.

Sichern Sie die Kabel nach der ordnungsgemäßen Montage des Fernsehgeräts ordnungsgemäß.

Wenn sich Personen oder Gegenstände in den Kabeln verfangen, kann diese zu Verletzungen oder Schäden am Fernsehgerät führen.

Verhindern Sie, dass das Netz- oder die Verbindungskabel eingeklemmt werden.

Wenn das Netz- oder die Verbindungskabel zwischen dem Gerät und der Wand eingeklemmt werden oder gewaltsam verbogen oder verdreht werden, können die internen Adern freigelegt werden und es kann zu einem Kurzschluss oder Stromschlag kommen. Dies kann zu einem Brand oder Stromschlag führen.



**Die Schrauben zur
Sicherung der
Wandhalterung an der
Wand sind nicht
mitgeliefert.**

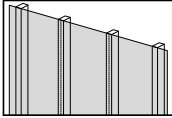
Verwenden Sie passende Schrauben für das Material und die Struktur der Wand, wenn Sie die Wandhalterung montieren.

Bevor Sie beginnen

Überprüfen Sie zuerst die Art der Wand, an der der Fernseher installiert werden soll.

Woraus besteht Ihre Wand?

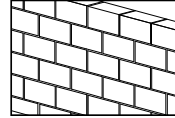
Trockenbauwand mit Ständern



Vorsichtshinweise

- Maximale Stärke der Trockenbauwand: 16 mm.
- Stellen Sie sicher, dass die Größe der inneren Holzständer mindestens 51 x 102 mm als allgemeine oder 38 x 89 mm als Nenngröße beträgt.
- Halten Sie einen minimalen horizontalen Abstand von 406 mm zwischen den Halterungen ein.

Massivbeton oder Betonblockstein



Vorsichtshinweise

- Befestigen Sie die Wandhalterung direkt an der Massivbetonwand.
- Stellen Sie sicher, dass die Stärke der Massivbetonwand mindestens 203 mm beträgt.
- Stellen Sie sicher, dass die Größe jedes Betonblocksteins mindestens 203 x 203 x 406 mm beträgt.

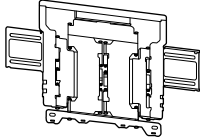

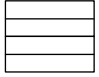

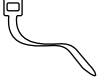
Vorbereitung der Montage

- Halten Sie für die Installation die Referenzanleitung und das Einrichtungshandbuch des Fernsehgeräts bereit.
- Überprüfen Sie die Montageposition des Fernsehgeräts.
- Halten Sie vier Schrauben mit einem Durchmesser von 8 mm und vier passende Unterlegscheiben (nicht mitgeliefert) bereit. Wählen Sie Schrauben, die für das Material der Wand geeignet sind.

Überprüfen der Teile

Mit der SU-WL850 geliefert

- Stellen Sie sicher, dass alle Teile vorhanden sind.



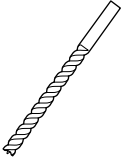
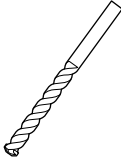
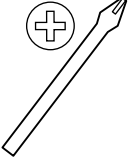



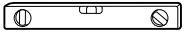
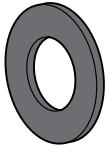

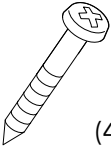
A WM1 (1) 	B WM2 (1) 
C WM3 (4) 	D M6 (4) 
E WT1 (6) 	

Mit dem Fernsehgerät geliefert

VS Wandmontagebefestigung (4) 



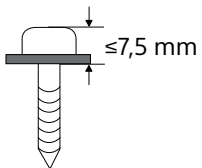
Benötigtes Werkzeug

*1 	  5,5 mm  10 mm 		
*2    1,5 N·m {15 kgf·cm} 			
*3  (4)	*2  (4)	*3  (4) 8 mm x 60 mm	

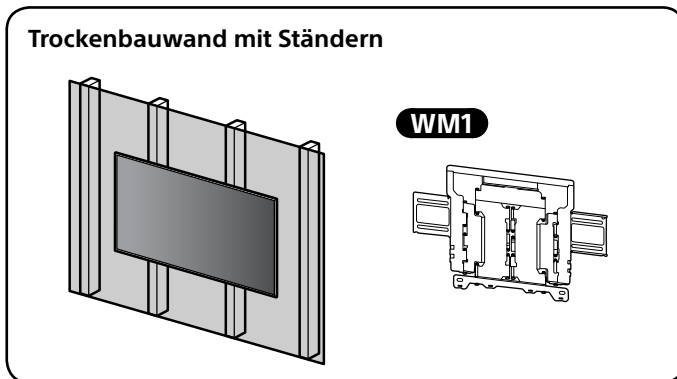
*1 Nur für Trockenbauwände mit Ständern

*2 Nur für Massivbeton oder Betonblocksteine

*3 Seien Sie vorsichtig bei der Auswahl der Schrauben und Unterlegscheiben



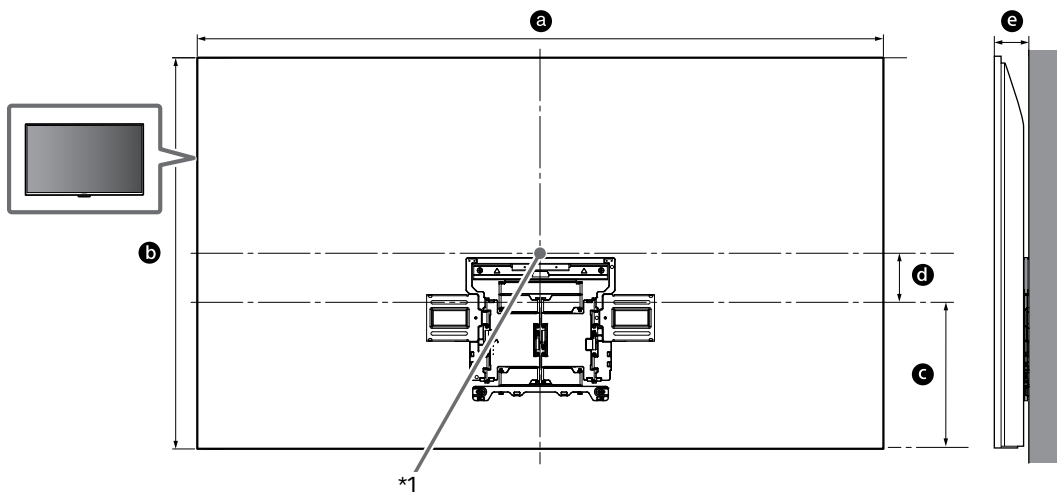
A Anbringen des Fernsehers an der Trockenbauwand mit Ständern



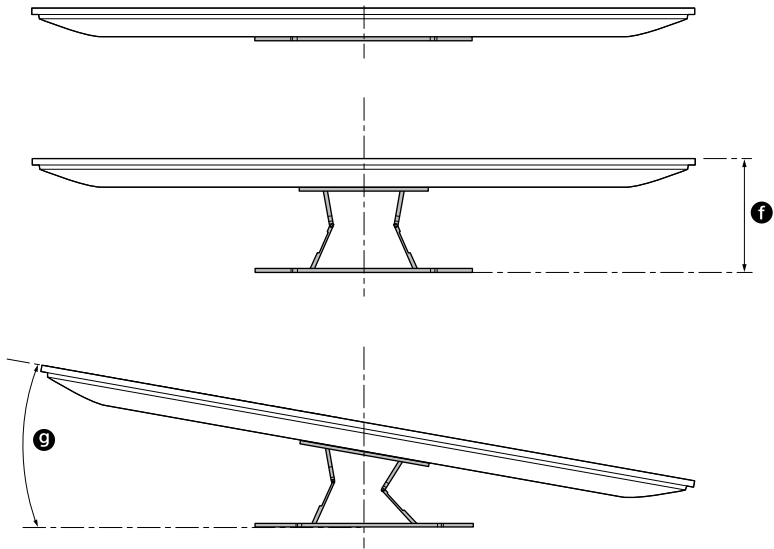
Installation der Wandhalterung an der Wand

1 Legen Sie die Montageposition fest.

Stellen Sie sicher, dass an der Wand genug Platz für das Fernsehgerät ist und dass die Wand eine Tragfähigkeit von mindestens dem Vierfachen des Gewichts des Fernsehgeräts aufweist. In der folgenden Tabelle finden Sie Informationen zum Montieren des Fernsehgeräts an der Wand. Im Referenzleitfaden zum Fernsehgerät finden Sie Informationen zum Gewicht des Fernsehgeräts.



DE



(mm)

Modellbezeichnung	a	b	c	d	e	f*2	g*2 (°)
KD-75XH80xx	1.686	969	364	123	86	288	15
KE-75XH80xx							
KD-65XH81xx	1.462	841	365	59	83	287	18
KE-65XH81xx							
KD-65XH80xx							
KE-65XH80xx							
KD-55XH81xx	1.243	718	365	3	83	287	20
KE-55XH81xx							
KD-55XH80xx							
KE-55XH80xx							

Tabelle der Abmessungen zur Montage des Fernsehgeräts (mm)

Die Angaben in der Tabelle können je nach Installation etwas variieren.

*1 (Bildschirm-Mittelpunkt)

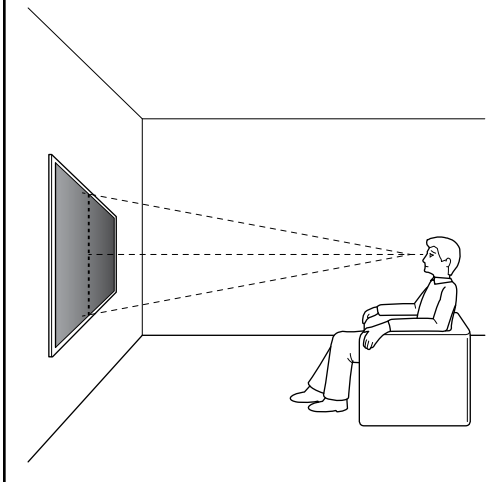
*2 (ca.)

Hinweis

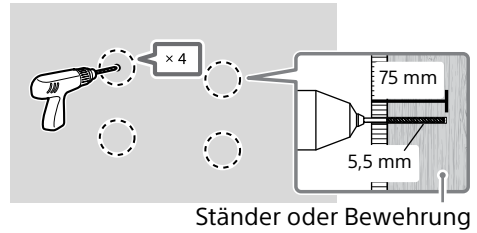
- Wenn das Fernsehgerät an der Wand montiert ist, ist die Oberkante des Fernsehgeräts leicht nach vorne geneigt.

Hinweis

- Wir empfehlen Ihnen, die Position des Fernsehgeräts in der entsprechenden Sitzposition zu prüfen.



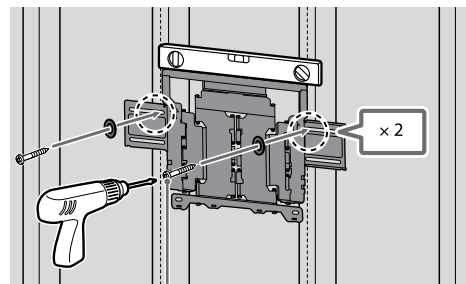
4 Bohren Sie an den Markierungen die oberen Vorbohrungen.



Hinweis

- Die Vorbohrungen müssen auf eine Tiefe von 75 mm mit einem Bohreinsatz mit einem Durchmesser von 5,5 mm gebohrt werden.

5 Bringen Sie **WM1** mit geeigneten Schrauben (nicht mitgeliefert) und Unterlegscheiben (nicht mitgeliefert) an der Wand an.



8 mm x 60 mm

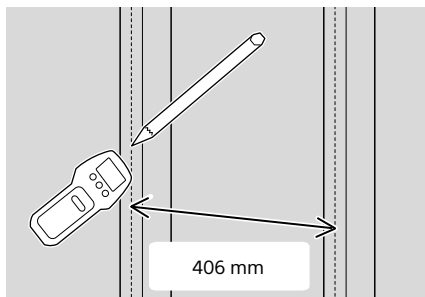
Hinweis

- Verwenden Sie eine Wasserwaage, um zu prüfen, ob das Teil **WM1** gerade ist.

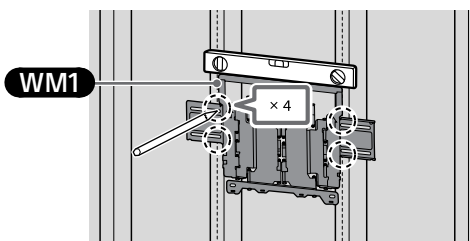
Vorsichtsmaßnahme

- Ziehen Sie die Holzschraube 8 mm x 60 mm nicht übermäßig fest. Ein unsachgemäßes Festziehen kann die Haltekraft der Holzschraube 8 mm x 60 mm reduzieren.

2



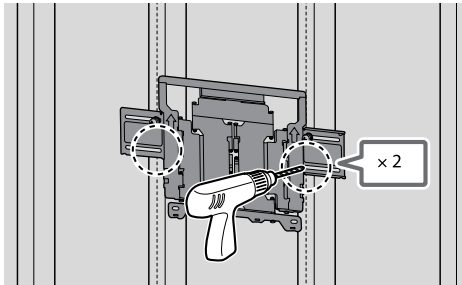
3 Richten Sie **WM1** an der Wand aus und machen Sie vier Markierungen, die an den Ständern ausgerichtet sind.



Hinweis

- Verwenden Sie eine Wasserwaage, um zu prüfen, ob das Teil **WM1** gerade ist.

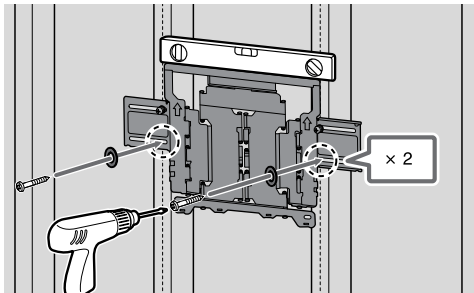
- 6** Bohren Sie an den Markierungen die unteren Vorbohrungen. (Beachten Sie die Bohranweisungen in Schritt 4.)



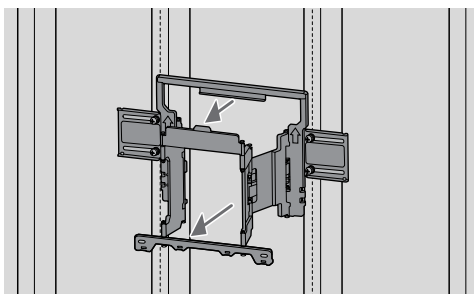
- 7** Setzen Sie geeignete Schrauben und Unterlegscheiben in die Bohrungen ein.

Hinweis

- Verwenden Sie eine Wasserwaage, um zu prüfen, ob die Wandhalterung gerade ist.

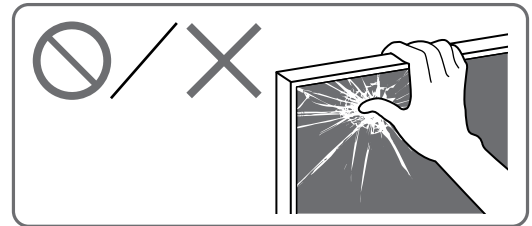


- 8** Ziehen Sie den Arm der Halterung bis zum Anschlag heraus.

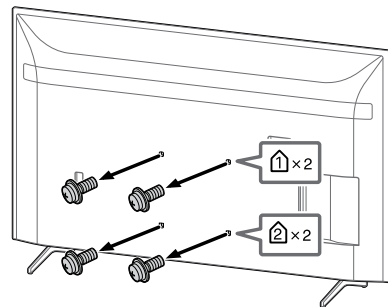


Vorbereitung der Montage des Fernsehgeräts

Stellen Sie sicher, dass Sie den Tischständer anbringen, bevor Sie den Fernseher an der Wand befestigen. Beachten Sie dazu das Einrichtungshandbuch.



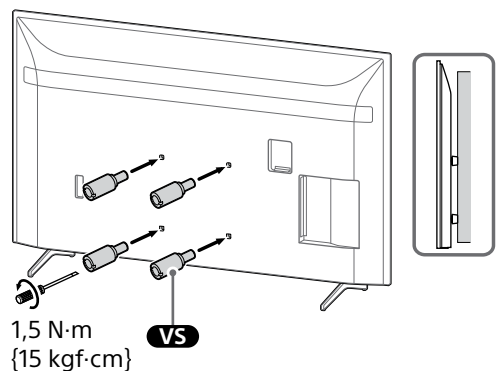
- 1** Entfernen Sie die Schrauben an der Rückseite des Fernsehgeräts.



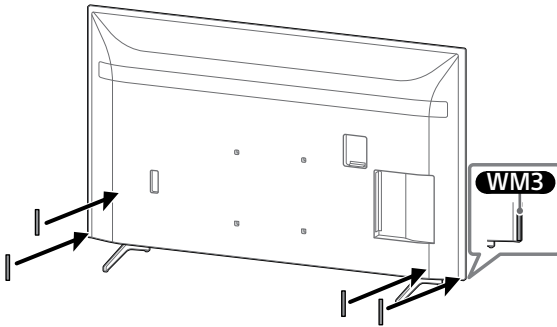
Hinweis

- Bewahren Sie die abgenommenen Schrauben und nicht verwendeten Teile unbedingt an einem sicheren, für Kinder nicht zugänglichen Ort auf.

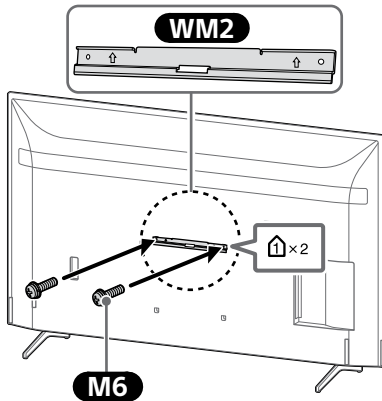
- 2** Befestigen Sie die Wandmontagebefestigung (mit dem Fernsehgerät mitgeliefert) an der Rückseite des Fernsehgeräts (parallel zur Wand).



3 Bringen Sie die Teile **WM3** an.

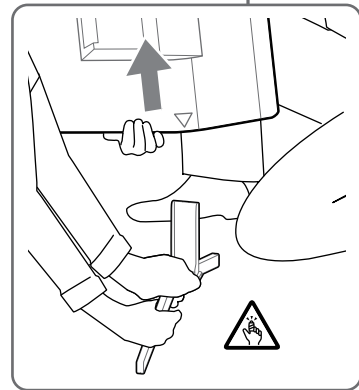
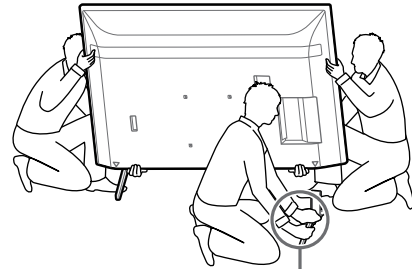


4 Bringen Sie **WM2** mit **M6** am Fernseher an.



5 Nehmen Sie den Tischständer vom Fernsehgerät ab.

- Entfernen Sie immer nur eine Seite des Tischständers auf einmal. Halten Sie den Tischständer mit beiden Händen fest, während die anderen Personen das Fernsehgerät anheben.

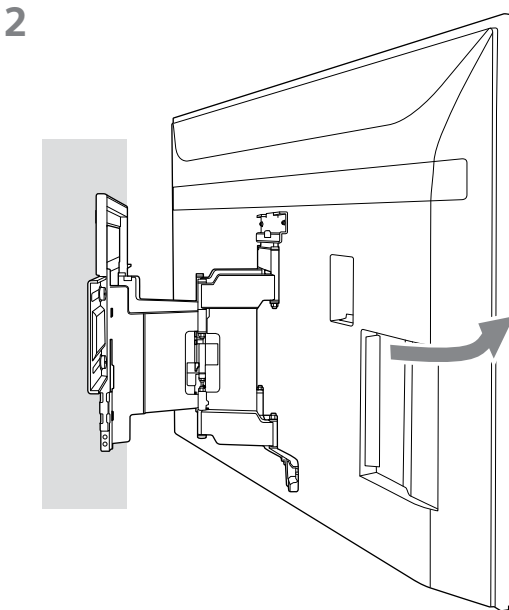
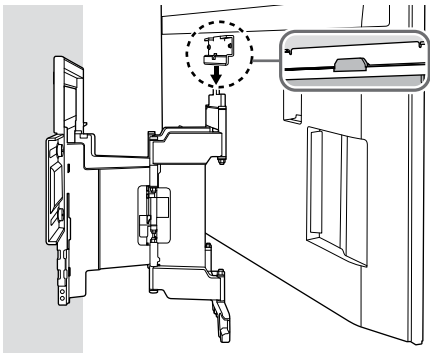
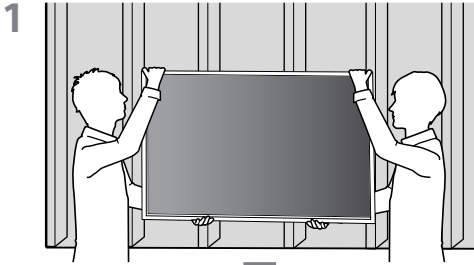


- Wiederholen Sie den vorherigen Schritt und entfernen Sie die andere Seite des Tischständers.

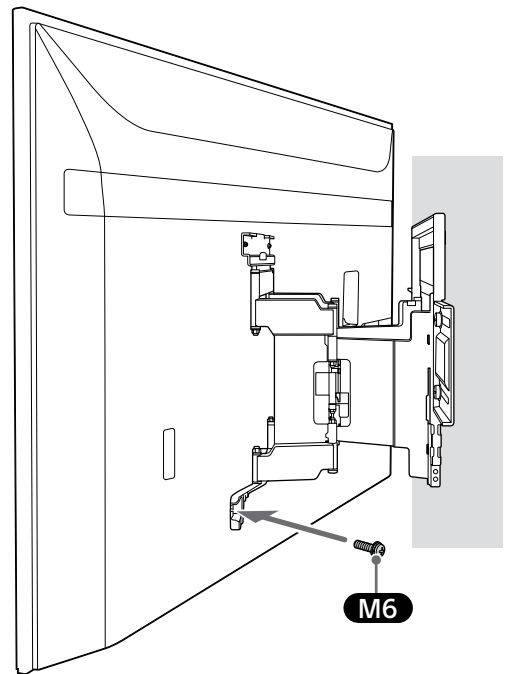
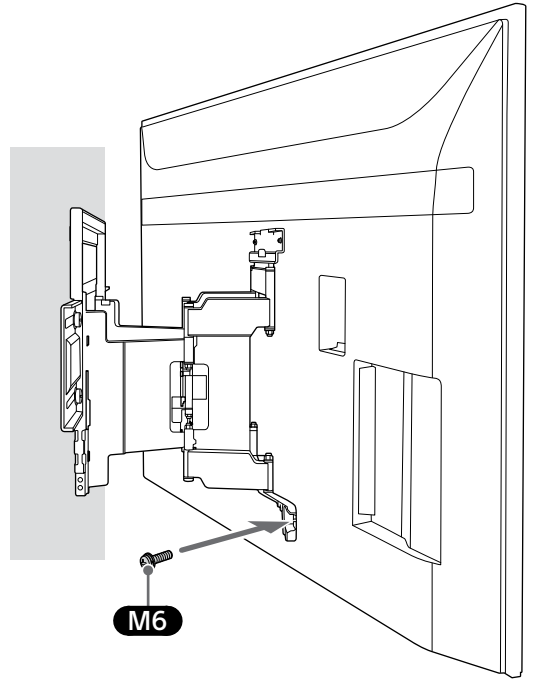
Hinweis

- Zum Lösen des Tischständers sind drei oder mehr Personen erforderlich.
- Wenden Sie beim Lösen des Tischständers vom Fernsehgerät keine großen Kräfte an, anderenfalls kann das Fernsehgerät herunterfallen und Verletzungen oder Schäden am Fernsehgerät verursachen.
- Gehen Sie bei der Handhabung des Tischständers vorsichtig vor, um das Fernsehgerät nicht zu beschädigen.
- Seien Sie vorsichtig, wenn Sie das Fernsehgerät anheben, da der Tischständer beim Abnehmen umkippen und Verletzungen verursachen kann.
- Achten Sie immer darauf, wenn Sie den Tischständer vom Fernsehgerät abnehmen, damit er nicht umkippt und die Oberfläche, auf der der Fernseher steht, beschädigt wird.

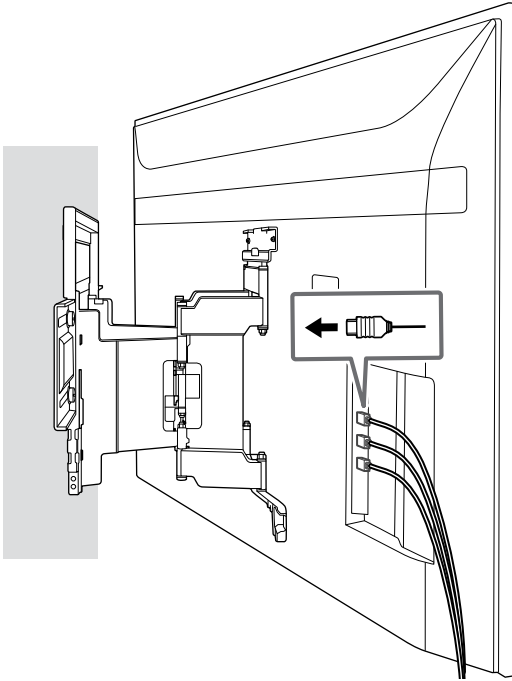
Montieren des Fernsehgeräts an der Wand



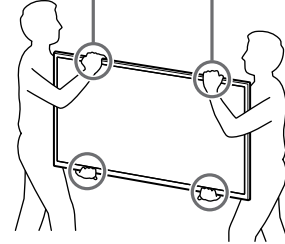
- 3 Schrauben Sie die linke und rechte Seite der Wandhalterung an.



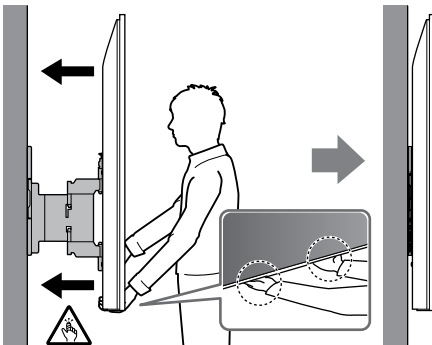
4

**WARNUNG**

- Achten Sie darauf, dass zwei oder mehr Personen (drei oder mehr Personen ab 75-Zoll-Fernsehgerät) das Fernsehgerät beim Tragen halten.



- 5 Wenn Sie das Fernsehgerät bewegen, halten Sie es gut an der Unterseite fest.



Überprüfen der abgeschlossenen Montage

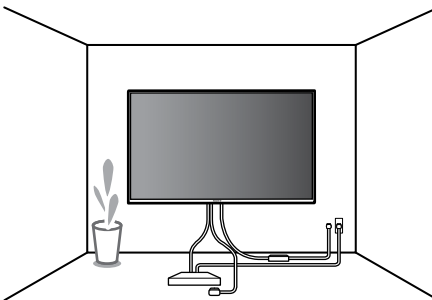
Überprüfen Sie die folgenden Punkte.

- Die Kabel sind nicht verdreht oder eingeklemmt.

WARNUNG

- Eine unsachgemäße Platzierung des Netzkabels usw. kann zu einem Brand oder Stromschlag durch einen Kurzschluss führen. Achten Sie darauf, die Montage bei Abschluss zur Sicherheit zu überprüfen.

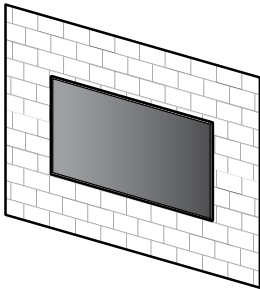
6



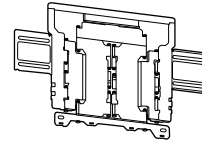
DE

B Bringen Sie die Wandhalterung an der Massivbeton- oder Betonblocksteinwand an.

Massivbeton oder Betonblockstein



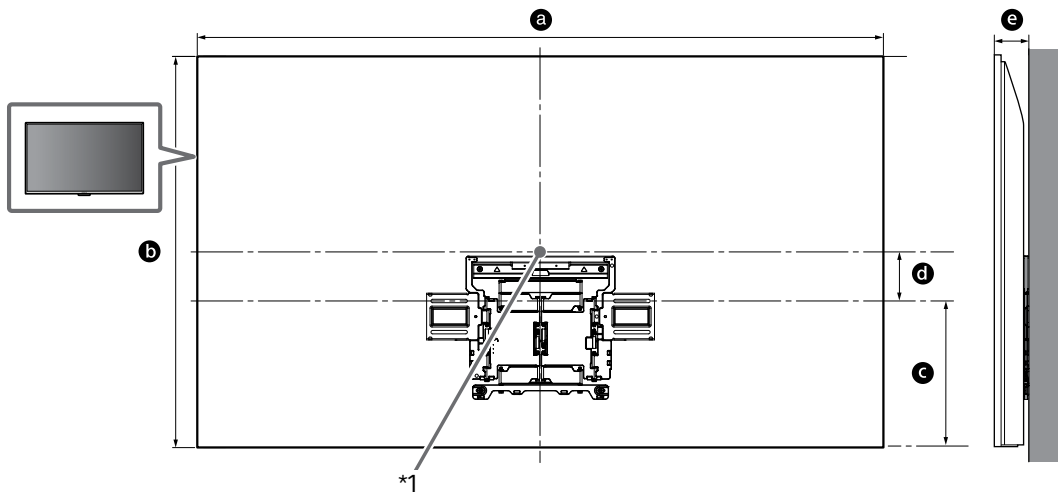
WM1

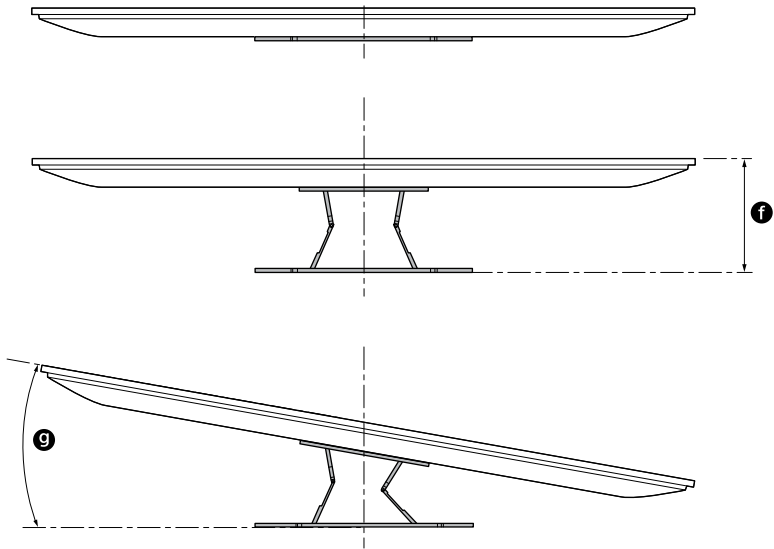


Installation der Wandhalterung an der Wand

1 Legen Sie die Montageposition fest.

Stellen Sie sicher, dass an der Wand genug Platz für das Fernsehgerät ist und dass die Wand eine Tragfähigkeit von mindestens dem Vierfachen des Gewichts des Fernsehgeräts aufweist. In der folgenden Tabelle finden Sie Informationen zum Montieren des Fernsehgeräts an der Wand. Im Referenzleitfaden zum Fernsehgerät finden Sie Informationen zum Gewicht des Fernsehgeräts.





(mm)

Modellbezeichnung	a	b	c	d	e	f*2	g*2 (°)
KD-75XH80xx	1.686	969	364	123	86	288	15
KE-75XH80xx							
KD-65XH81xx	1.462	841	365	59	83	287	18
KE-65XH81xx							
KD-65XH80xx							
KE-65XH80xx							
KD-55XH81xx	1.243	718	365	3	83	287	20
KE-55XH81xx							
KD-55XH80xx							
KE-55XH80xx							

DE

Tabelle der Abmessungen zur Montage des Fernsehgeräts (mm)

Die Angaben in der Tabelle können je nach Installation etwas variieren.

*1 (Bildschirm-Mittelpunkt)

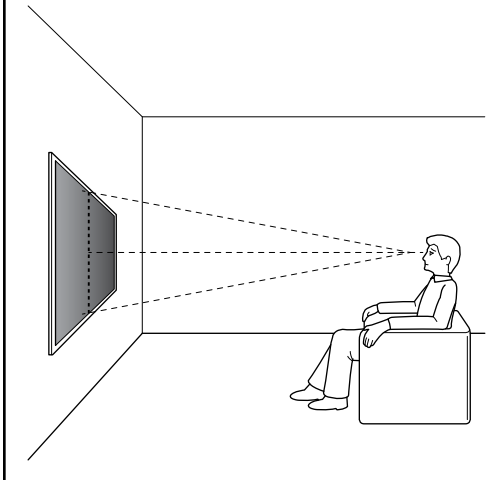
*2 (ca.)

Hinweis

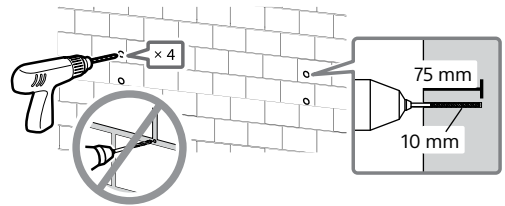
- Wenn das Fernsehgerät an der Wand montiert ist, ist die Oberkante des Fernsehgeräts leicht nach vorne geneigt.

Hinweis

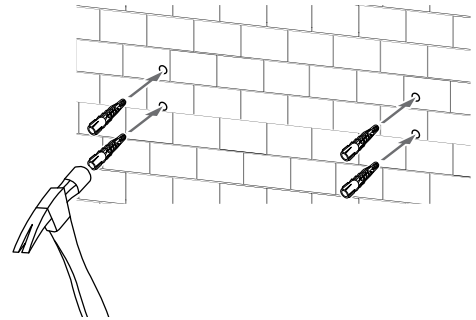
- Wir empfehlen Ihnen, die Position des Fernsehgeräts in der entsprechenden Sitzposition zu prüfen.



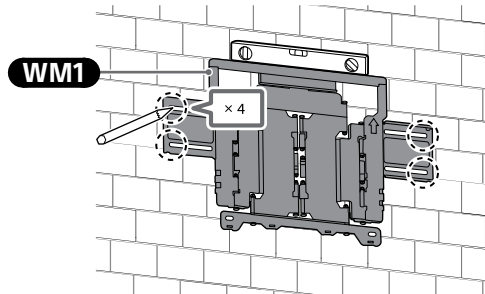
3 Bohren Sie Vorbohrungen an den markierten Stellen.



4



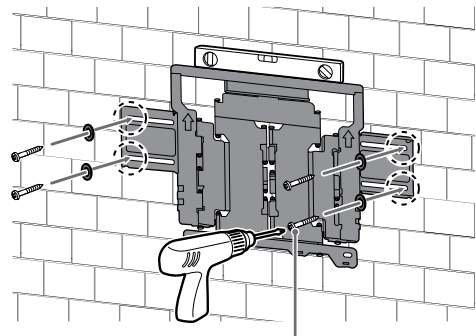
2 Richten Sie **WM1** an der Wand aus und machen Sie vier Markierungen.



Hinweis

- Verwenden Sie eine Wasserwaage, um zu prüfen, ob das Teil **WM1** gerade ist.

5 Bringen Sie **WM1** mit geeigneten Schrauben (nicht mitgeliefert) und Unterlegscheiben (nicht mitgeliefert) an der Wand an.



8 mm x 60 mm

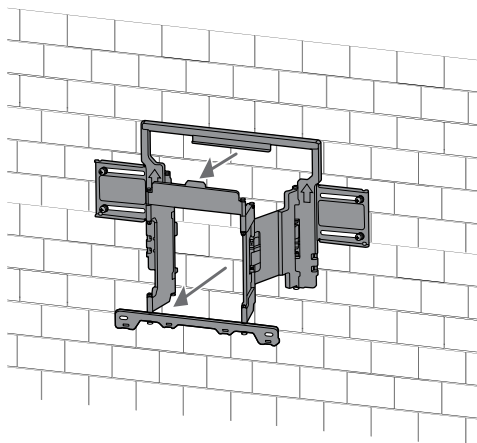
Hinweis

- Verwenden Sie eine Wasserwaage, um zu prüfen, ob die Wandhalterung gerade ist.

Vorsichtsmaßnahme

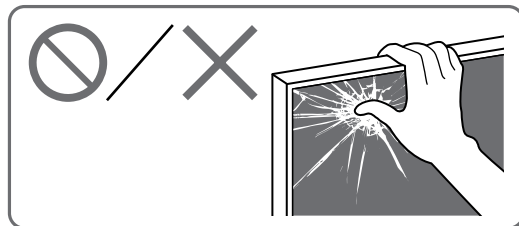
- Ziehen Sie die Holzschraube 8 mm x 60 mm nicht übermäßig fest. Ein unsachgemäßes Festziehen kann die Haltekraft der Holzschraube 8 mm x 60 mm reduzieren.

- 6 Ziehen Sie den Arm der Halterung bis zum Anschlag heraus.

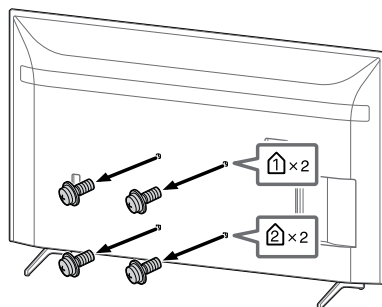


Vorbereitung der Montage des Fernsehgeräts

Stellen Sie sicher, dass Sie den Tischständer anbringen, bevor Sie den Fernseher an der Wand befestigen. Beachten Sie dazu das Einrichtungshandbuch.



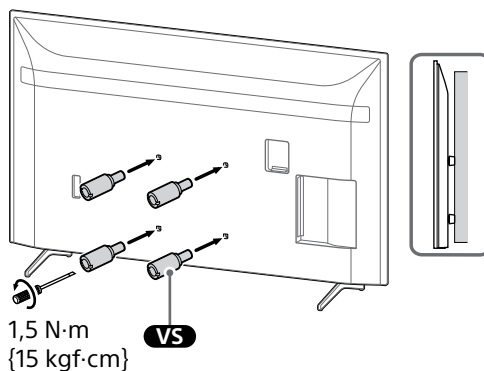
- 1 Entfernen Sie die Schrauben an der Rückseite des Fernsehgeräts.



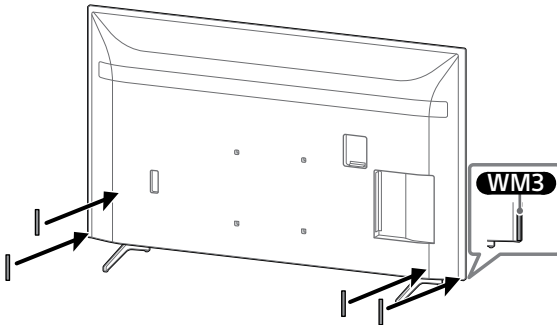
Hinweis

- Bewahren Sie die abgenommenen Schrauben und nicht verwendeten Teile unbedingt an einem sicheren, für Kinder nicht zugänglichen Ort auf.

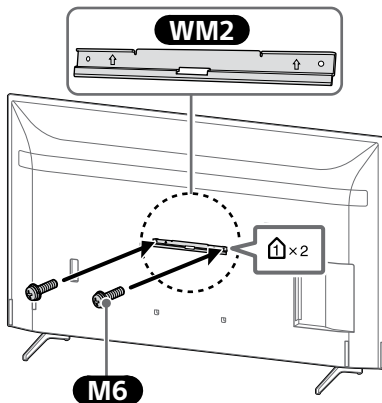
- 2 Befestigen Sie die Wandmontagebefestigung (mit dem Fernsehgerät mitgeliefert) an der Rückseite des Fernsehgeräts (parallel zur Wand).



3 Bringen Sie die Teile **WM3** an.

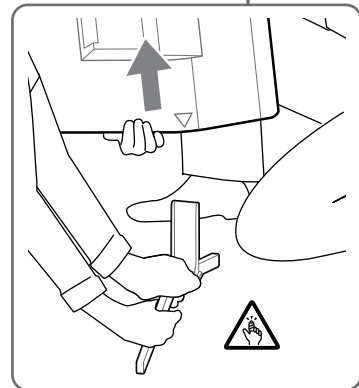
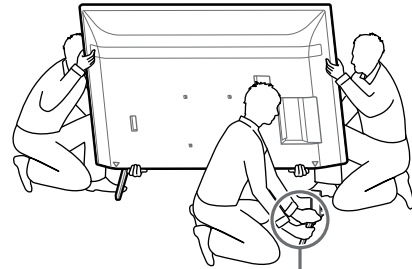


4 Bringen Sie **WM2** mit **M6** am Fernseher an.



5 Nehmen Sie den Tischständer vom Fernsehgerät ab.

- Entfernen Sie immer nur eine Seite des Tischständers auf einmal. Halten Sie den Tischständer mit beiden Händen fest, während die anderen Personen das Fernsehgerät anheben.

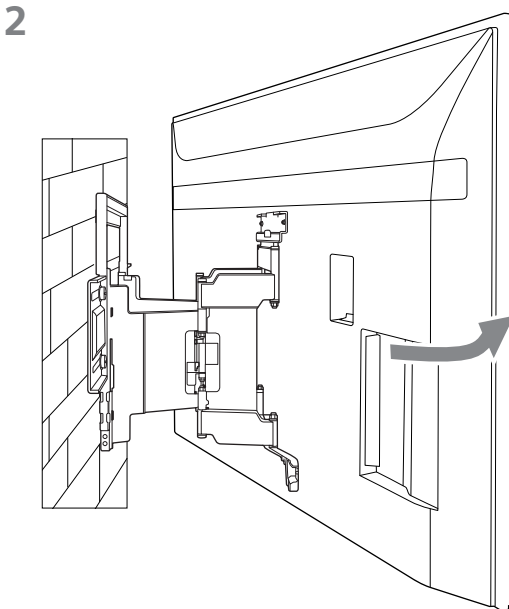
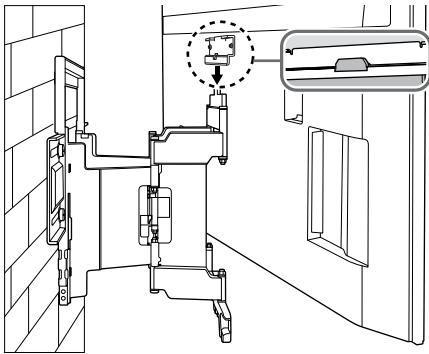
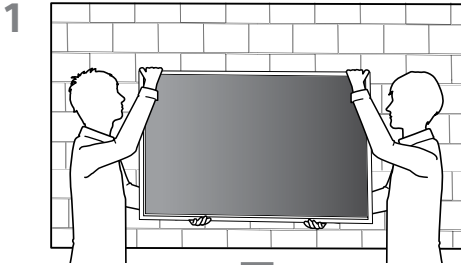


- Wiederholen Sie den vorherigen Schritt und entfernen Sie die andere Seite des Tischständers.

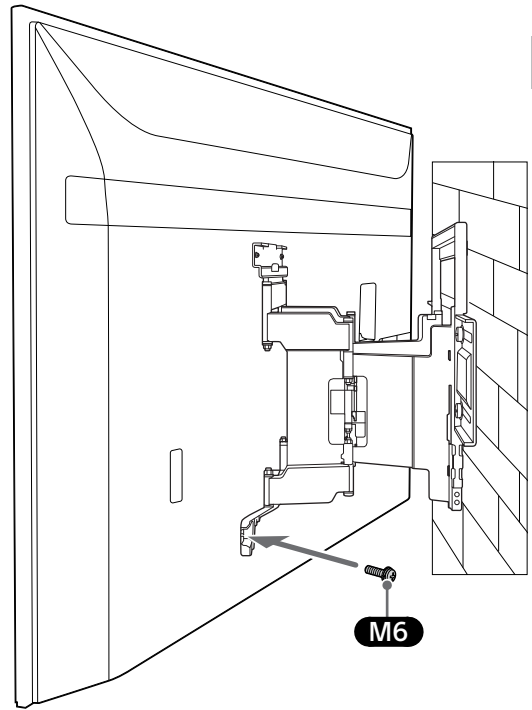
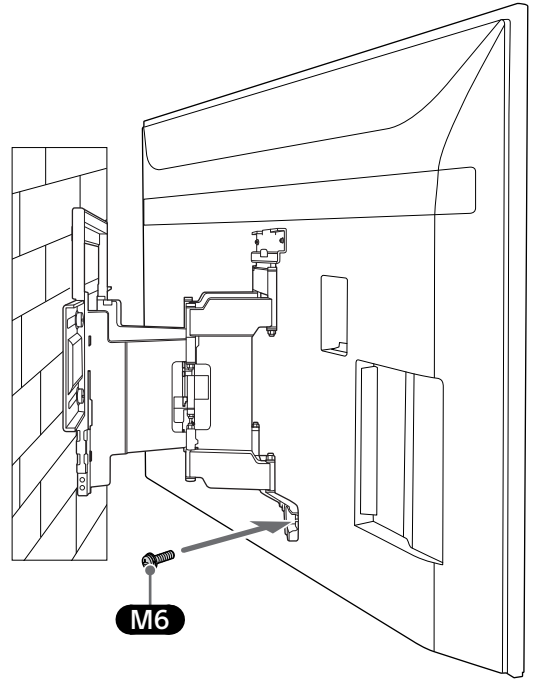
Hinweis

- Zum Lösen des Tischständers sind drei oder mehr Personen erforderlich.
- Wenden Sie beim Lösen des Tischständers vom Fernsehgerät keine großen Kräfte an, anderenfalls kann das Fernsehgerät herunterfallen und Verletzungen oder Schäden am Fernsehgerät verursachen.
- Gehen Sie bei der Handhabung des Tischständers vorsichtig vor, um das Fernsehgerät nicht zu beschädigen.
- Seien Sie vorsichtig, wenn Sie das Fernsehgerät anheben, da der Tischständer beim Abnehmen umkippen und Verletzungen verursachen kann.
- Achten Sie immer darauf, wenn Sie den Tischständer vom Fernsehgerät abnehmen, damit er nicht umkippt und die Oberfläche, auf der der Fernseher steht, beschädigt wird.

Montieren des Fernsehgeräts an der Wand

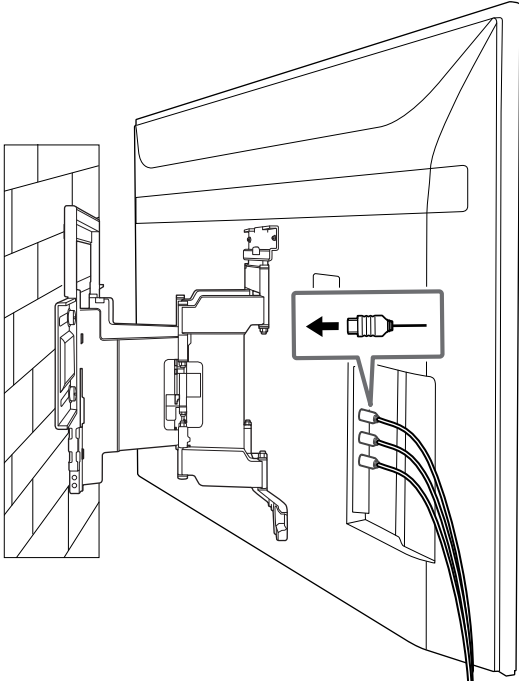


- 3 Schrauben Sie die linke und rechte Seite der Wandhalterung an.



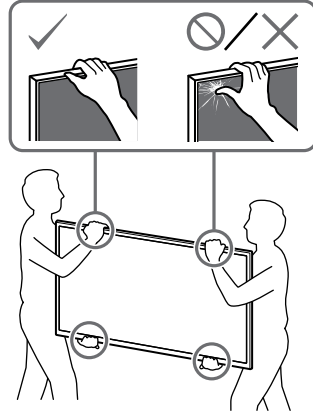
DE

4

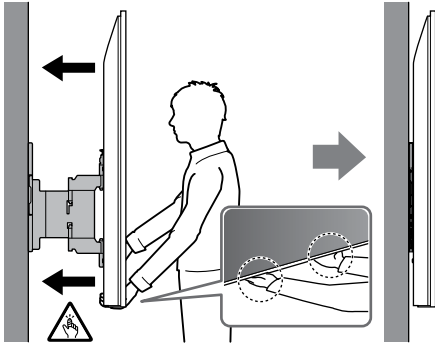


WARNUNG

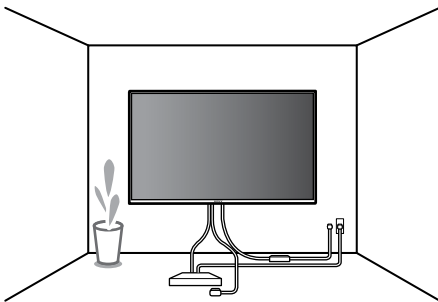
- Achten Sie darauf, dass zwei oder mehr Personen (drei oder mehr Personen ab 75-Zoll-Fernsehgerät) das Fernsehgerät beim Tragen halten.



5 Wenn Sie das Fernsehgerät bewegen, halten Sie es gut an der Unterseite fest.



6



Überprüfen der abgeschlossenen Montage

Überprüfen Sie die folgenden Punkte.

- Die Kabel sind nicht verdreht oder eingeklemmt.

WARNUNG

- Eine unsachgemäße Platzierung des Netzkabels usw. kann zu einem Brand oder Stromschlag durch einen Kurzschluss führen. Achten Sie darauf, die Montage bei Abschluss zur Sicherheit zu überprüfen.

Sonstige Informationen

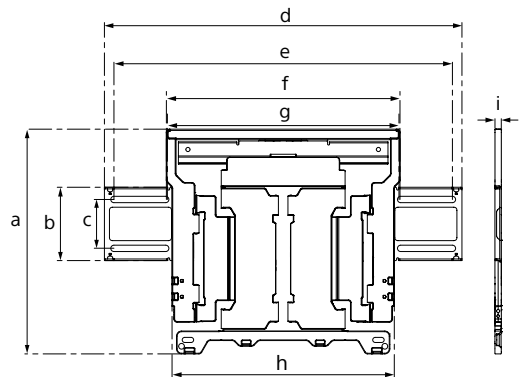
Führen Sie die Montageschritte in umgekehrter Reihenfolge durch, wenn Sie das Fernsehgerät abnehmen.

WARNUNG

- Achten Sie darauf, dass zwei oder mehr Personen (drei oder mehr Personen ab 75-Zoll-Fernsehgerät) das Fernsehgerät beim Abnehmen halten.

Technische Daten

WM1



Abmessungen: (ca.) [mm]

- a : 354
- b : 116
- c : 77
- d : 563
- e : 533
- f : 370
- g : 368
- h : 350
- i : 11

Gewicht (nur Grundplatte): (ca.) [kg]

3,0

Design und technische Daten können ohne vorherige Ankündigung geändert werden.

DE

Installatie-informatie voor de Sony-wandmontagesteun (SU-WL850)

Ondersteunde modellen*:

KD-75XH80xx / 65XH81xx / 65XH80xx / 55XH81xx / 55XH80xx

KE-75XH80xx / 65XH81xx / 65XH80xx / 55XH81xx / 55XH80xx

* In de werkelijke modelnamen staan in plaats van "xx" nummers en/of letters die voor elk model anders zijn.

Aan de klanten

Om het apparaat te beschermen en om veiligheidsredenen raadt Sony u met klem aan de televisie te laten installeren door een Sony-dealer of een erkende installateur. Probeer de installatie niet zelf uit te voeren.

Aan Sony-dealers en installateurs

Let goed op de veiligheid tijdens installatie, periodiek onderhoud en inspectie van dit product.

Voor de installatie van dit product is de nodige expertise vereist, met name om te bepalen of de muur sterk genoeg is om het gewicht van de televisie te dragen. Laat de installatie van dit product aan een muur uitvoeren door een Sony-dealer of een erkende installateur, en let goed op de veiligheid tijdens de installatie. Sony kan niet aansprakelijk worden gesteld voor schade of letsels als gevolg van een onjuiste behandeling of installatie.

Volg voor een veilige en juiste installatie de gebruiksaanwijzing van de wandmontagesteun, de installatiehandleiding van de televisie en de aanwijzingen in deze handleiding.

Wandmontagesteun

Veiligheid

Bedankt voor uw aankoop van dit product.

Aan de klanten

De tv aan de muur bevestigen



WAARSCHUWING

PROFESSIONELE INSTALLATIE VEREIST

Dit product mag uitsluitend worden geïnstalleerd door een erkende installateur die kan bepalen of de wand sterk genoeg is voor het gewicht van de tv. Als de steun niet goed aan de wand bevestigd wordt, dan kan de tv vallen en ernstig letsel veroorzaken. Sony is niet aansprakelijk voor schade en/of letsel als gevolg van verkeerde behandeling of onjuiste installatie, of voor installaties anders dan het vermelde product. Uw wettelijke rechten (indien van toepassing) worden niet aangetast.

Aan Sony-dealers

Om dit product te kunnen installeren is afdoende deskundigheid nodig. Lees deze gebruiksaanwijzing aandachtig door zodat u de installatie veilig kunt uitvoeren. Sony is niet aansprakelijk voor schade of letsel als gevolg van onjuist handelen of een onjuiste installatie. Geef deze gebruiksaanwijzing aan de klant nadat het product is geïnstalleerd.

In deze gebruiksaanwijzing wordt beschreven hoe het product moet worden gebruikt en worden belangrijke voorzorgsmaatregelen gegeven die vereist zijn om ongelukken te voorkomen. Het is uw verantwoordelijkheid om deze gebruiksaanwijzing goed door te lezen, alles daarin te begrijpen en alle instructies daarin te volgen. Als u deze verantwoordelijkheid niet neemt, dan kan dat resulteren in ernstig persoonlijk letsel of schade aan eigendommen, en zal de garantie komen te vervallen. Bewaar deze gebruiksaanwijzing voor toekomstig gebruik.

Bij het ontwerpen van producten houdt Sony rekening met de veiligheid. Als de producten onjuist worden gebruikt, kan dit echter ernstige letsels veroorzaken als gevolg van brand, elektrische schokken, omvallen of laten vallen van het product. Houd rekening met de veiligheidsmaatregelen om dergelijke ongevallen te voorkomen.

OPGELET

Opgegeven producten

Deze wandmontagesteun is geschikt voor gebruik met de opgegeven tv's. Raadpleeg voor tv's de betreffende "Referentiegids" om te controleren of de wandmontagesteun gebruikt kan worden.

Aan de klanten

WAARSCHUWING

Als u de volgende voorzorgsmaatregelen niet in acht neemt, kan dit leiden tot ernstige verwondingen of zelfs de dood ten gevolge van brand, elektrische schokken of het laten vallen van het product.

Besteed de installatie uit aan bevoegde installateurs en houd kleine kinderen uit de buurt tijdens de installatie.

Als de wandmontagesteun of de tv niet correct wordt geïnstalleerd, kunnen de volgende ongelukken zich voordoen. Zorg ervoor dat de installatie wordt uitgevoerd door bevoegde installateurs.

- De tv kan vallen en ernstige letsels veroorzaken, zoals kneuzingen of breuken.
- Als de muur waaraan de wandmontagesteun wordt bevestigd onstabiel of ongelijk is of niet loodrecht op de vloer staat, kan de steun vallen, met letsels of beschadiging van eigendommen tot gevolg. De wand dient sterk genoeg te zijn om minstens zesmaal het gewicht van de tv te kunnen dragen. (Raadpleeg de "Referentiegids" voor het gewicht van uw tv.)
- Als de wandmontagesteun niet stevig genoeg aan de muur wordt bevestigd, kan de steun vallen, met letsels of beschadiging van eigendommen tot gevolg.

Als u de tv wilt verplaatsen of van de steun wilt halen, moet u dit werk uitbesteden aan bevoegde installateurs.

Als andere personen dan bevoegde installateurs de tv verplaatsen of van de steun halen, kan de tv vallen, met letsels of beschadiging van eigendommen tot gevolg. Zorg dat tenminste twee personen (tenminste drie personen voor een tv-toestel van 75 inch of groter) de tv dragen of van de steun halen.

Verwijder de schroeven niet nadat de tv aan de steun is bevestigd.

Als u dit wel doet, kan de tv vallen, met letsels of beschadiging van eigendommen tot gevolg.

Breng geen aanpassingen aan de onderdelen van de wandmontagesteun aan.

Als u dit wel doet, kan de wandmontagesteun vallen, met letsels of beschadiging van eigendommen tot gevolg.

Installeer geen andere producten dan het opgegeven product.

Deze wandmontagesteun is alleen geschikt voor gebruik met het opgegeven product. Als u andere producten dan het opgegeven product gaat installeren, kan het vallen of breken, met letsels of beschadiging van eigendommen tot gevolg.

Bevestig geen ander gewicht dan de tv aan de wandmontagesteun. Schud de tv niet van links naar rechts of op en neer.

Als u dit wel doet, kan de tv vallen, met letsels of beschadiging van eigendommen tot gevolg.

Leun niet op en hang niet aan de tv.

Leun niet op en hang niet aan de tv. De tv kan op u vallen en ernstige letsels veroorzaken.

OPGELET

Als er geen rekening wordt gehouden met de volgende voorzorgsmaatregelen, kan dit letsel of beschadiging van eigendommen tot gevolg hebben.

- Pas op dat uw vingers niet bekneld raken wanneer u met de wandmontagesteun bezig bent of aan de tv-set draait.
- Wees altijd voorzichtig wanneer u de TV ronddraait zodat u geen omstaanders raakt.
- Bewaar de ongebruikte onderdelen op een veilige plaats voor later gebruik. Houd ze uit de buurt van kinderen.

Oefen niet te veel druk uit op het product als u dit reinigt of onderhoudt.

Oefen niet te veel druk uit op de bovenkant van de tv. Als u dit wel doet, kan de tv vallen, met letsels of beschadiging van eigendommen tot gevolg.

Voorzorgsmaatregelen

- Als u de tv langere tijd gebruikt terwijl deze aan de wandmontagesteun is bevestigd, kan de muur achter of boven de tv verkleuren en kan het behang losraken, afhankelijk van het materiaal waarvan de muur is gemaakt.
- Als u de wandmontagesteun verwijdert nadat u deze aan de muur hebt bevestigd, dan blijven de schroefgaten zichtbaar.
- Gebruik de wandmontagesteun niet op plaatsen waar deze wordt blootgesteld aan mechanische trillingen.

De wandmontagesteun installeren

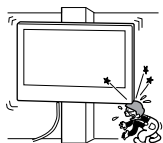
Aan Sony-dealers

WAARSCHUWING

De volgende instructies gelden enkel voor Sony-dealers. Lees zeker de bovenstaande veiligheidsmaatregelen en schenk extra aandacht aan de veiligheid tijdens de installatie, het onderhoud en de controle van dit product.

Installeer de wandmontagesteun niet op een muuroppervlak waarbij de hoeken of de zijkanten van de tv de wand niet raken.

Installeer de wandmontagesteun niet op muuroppervlakken, zoals een pilaar, waarbij de hoeken of de zijkanten van de tv de wand niet raken. Als een persoon of voorwerp tegen een uitstekende hoek of zijkant van de tv botst, kan dit letsels of beschadiging van eigendommen tot gevolg hebben.

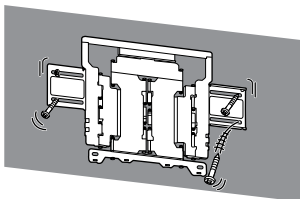


Installeer de tv niet boven of onder een airconditioner.

Als de tv voor langere tijd wordt blootgesteld aan waterlekage of luchtcirculatie van een airconditioner, kan dit brand, elektrische schokken of een storing van de tv tot gevolg hebben.

Bevestig de wandmontagesteun stevig aan de muur volgens de instructies in deze gebruiksaanwijzing.

Als een van de schroeven los zit of valt, kan de wandmontagesteun vallen, met letsels of beschadiging van eigendommen tot gevolg. Zorg ervoor dat u de juiste schroeven gebruikt voor het type muur en bevestig het apparaat stevig met vier schroeven van 8 mm diameter (of gelijkwaardig).



Gebruik de bijgeleverde schroeven en montageonderdelen op de juiste manier volgens de instructies in deze gebruiksaanwijzing. Als u andere onderdelen gebruikt, kan de tv vallen, met lichamelijke letsels of beschadiging van de tv tot gevolg.

Zorg ervoor dat u de steun correct monteert volgens de instructies in deze gebruiksaanwijzing.

Als een van de schroeven los zit of valt, kan de tv vallen, met lichamelijke letsels of beschadiging van de tv tot gevolg.

Draai de schroeven stevig vast op de aangegeven plaats.

Als u dit niet doet, kan de tv vallen, met lichamelijke letsels of beschadiging van de tv tot gevolg.

Stel de tv niet bloot aan schokken tijdens de installatie.

Als de tv wordt blootgesteld aan schokken, kan die vallen of breken. Dit kan letsels tot gevolg hebben.

Bevestig de tv aan een vlakke muur die loodrecht op de vloer staat.

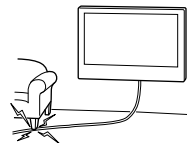
Als u dit niet doet, kan de tv vallen, met letsels tot gevolg.

Bundel de kabels goed samen na het installeren van de tv.

Als mensen of voorwerpen blijven haperen aan de kabels, kan dit letsels of beschadiging van de tv tot gevolg hebben.

Zorg ervoor dat het netsnoer en de verbindingkabel niet geklemd raken.

Als het netsnoer of de verbindingkabel geklemd raakt tussen de steun en de muur of als een van beide met kracht gebogen of gedraaid is, kan de interne bedrading worden blootgelegd, waardoor er kortsluiting of een stroomonderbreking kan worden veroorzaakt. Dit kan brand of elektrische schokken tot gevolg hebben.



De schroeven die u nodig hebt om de wandmontagesteun te bevestigen, zijn niet bijgeleverd.

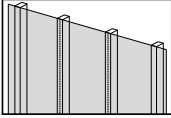
Gebruik voor het bevestigen van de wandmontagesteun schroeven die geschikt zijn voor het materiaal en de structuur van de muur.

Voor u aan de slag gaat

Ga eerst na aan welk type muur u de TV zult bevestigen.

Waaruit bestaat de muur?

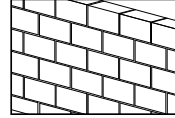
Gipsplaatwand met stijlen



Voorzorgsmaatregelen

- Maximale dikte van de gipsplaten: 16 mm.
- Zorg ervoor dat het formaat van de houten stijlen minstens 51 x 102 mm bedraagt voor normaal of 38 x 89 mm voor nominaal.
- Zorg voor minstens 406 mm horizontale afstand tussen de bevestigingsstukken.

Massief beton of betonstenen



Voorzorgsmaatregelen

- Bevestig de wandmontagesteun rechtstreeks aan de muur uit massief beton.
- Zorg ervoor dat muur uit massief beton minstens 203 mm dik is.
- Zorg ervoor dat het formaat van elke betonsteen minstens 203 x 203 x 406 mm bedraagt.

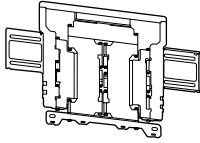

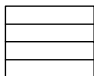

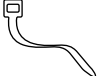
De voorbereidingen treffen voor de installatie

- Houd de referentiegids en de installatiehandleiding van de televisie bij de hand vóór de installatie.
- Bepaal waar u de tv zult installeren.
- Voorzie vier schroeven met een diameter van 8 mm en vier onderleggingen (niet bijgeleverd).
Gebruik schroeven die geschikt zijn voor het materiaal van de muur.


De onderdelen controleren

Bijgeleverd bij SU-WL850

- Ga na of alle onderdelen bijgeleverd zijn.



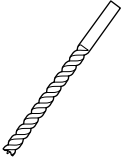
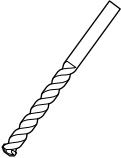
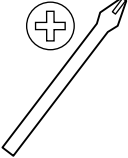




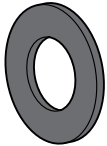

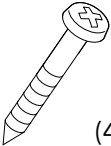
A WM1 (1) 	B WM2 (1) 
C WM3 (4) 	D M6 (4) 
E WT1 (6) 	

Bijgeleverd bij de televisie

VS Bevestigingsplaat voor wandmontage (4) 



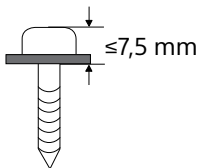
Benodigde gereedschappen

*1 	  5,5 mm  10 mm 		
*2    1,5 N·m {15 kgf·cm} 			
*3  (4)	*2  (4)	*3  (4) 8 mm x 60 mm	

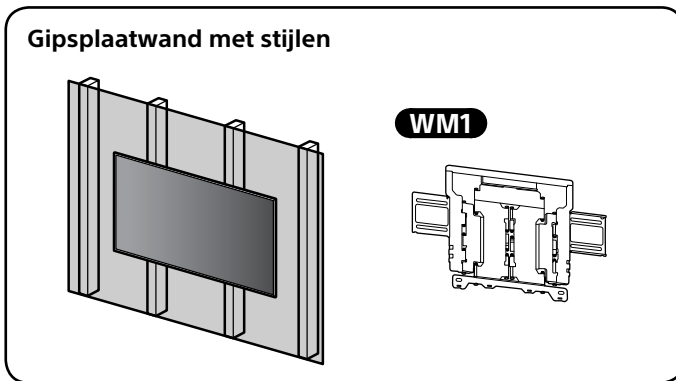
*1 Alleen voor gipsplaatwand met stijlen

*2 Alleen voor massief beton en betonstenen

*3 Let op bij het kiezen van de schroeven en onderleggingen



A De TV bevestigen aan een gipsplaatwand met stijlen

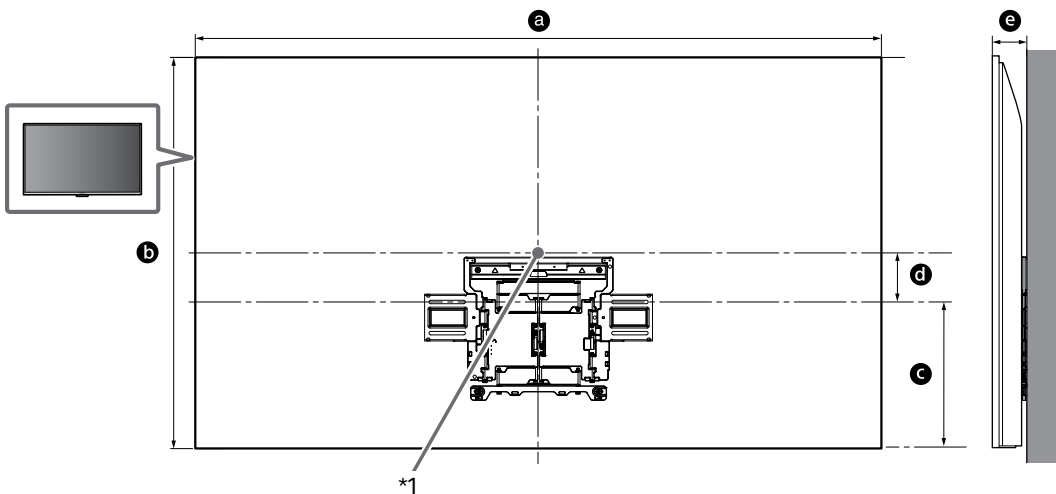


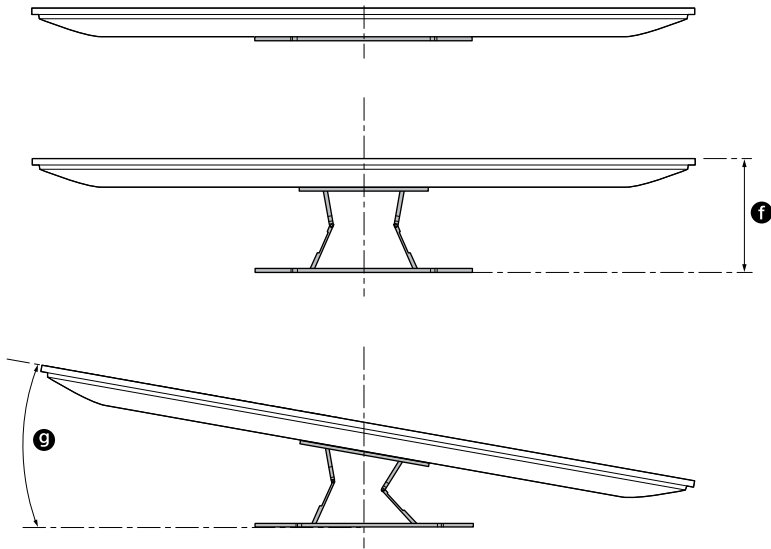
De wandmontagesteun aan de wand bevestigen

1 Bepaal waar u de tv zult installeren.

Voorzie voldoende ruimte voor de televisie aan de muur en zorg ervoor dat deze minstens vier keer het gewicht van de televisie kan dragen.

Raadpleeg de volgende tabel om de televisie op de wand te installeren. Raadpleeg de referentiehandleiding van uw televisie voor het gewicht van uw televisie.





(mm)

Modelnaam	a	b	c	d	e	f*2	g*2 (°)
KD-75XH80xx	1.686	969	364	123	86	288	15
KE-75XH80xx							
KD-65XH81xx	1.462	841	365	59	83	287	18
KE-65XH81xx							
KD-65XH80xx							
KE-65XH80xx							
KD-55XH81xx	1.243	718	365	3	83	287	20
KE-55XH81xx							
KD-55XH80xx							
KE-55XH80xx							

Tabel met installatieafmetingen van de televisie (mm)

De waarden in de tabel kunnen licht afwijken afhankelijk van de installatie.

*1 (Middelpunt van het beeldscherm)

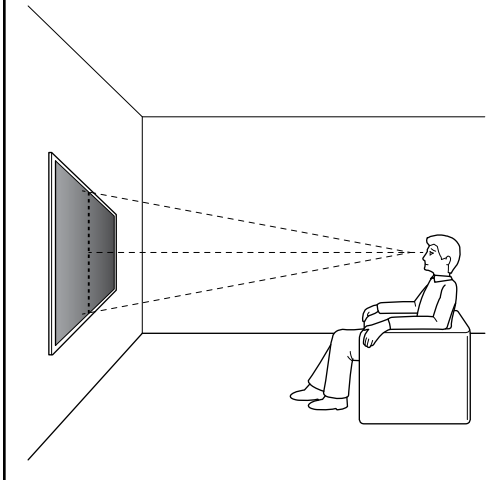
*2 (ong.)

Opmerking

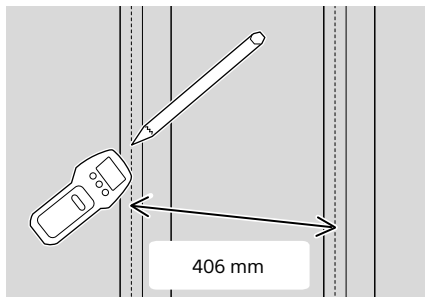
- Wanneer uw televisie aan een muur is bevestigd, helt de bovenzijde van de televisie licht naar voor.

Opmerking

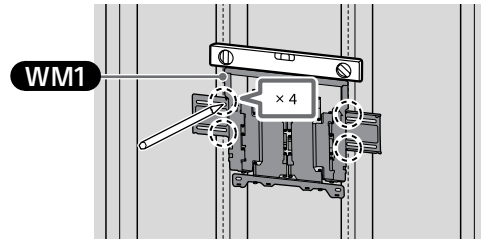
- We adviseren om de positie van de tv in de kijkruimte te controleren.



2



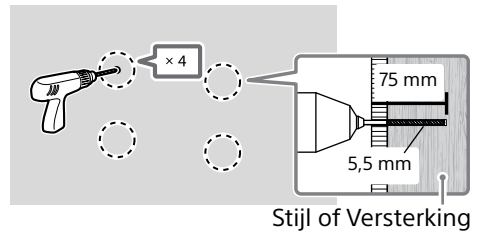
- 3 Plaats **WM1** horizontaal tegen de muur en breng vier markeringen aan ter hoogte van de stijlen.



Opmerking

- Gebruik een waterpas om te controleren of **WM1** waterpas is.

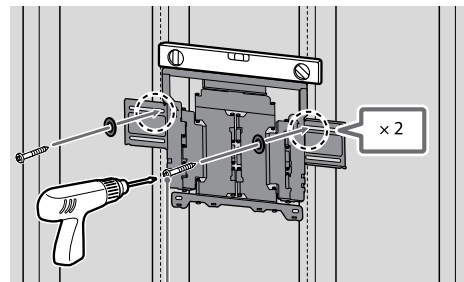
- 4 Boor gaten voor in de bovenste markeringen.



Opmerking

- De voorgeboorde gaten moeten 75 mm diep zijn en een diameter van 5,5 mm hebben.

- 5 Bevestig **WM1** aan de muur met behulp van geschikte schroeven (niet bijgeleverd) en onderleggingen (niet bijgeleverd).



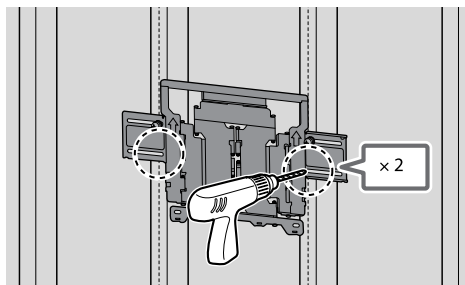
Opmerking

- Gebruik een waterpas om te controleren of **WM1** waterpas is.

Voorzichtig

- Houten schroef 8 mm x 60 mm niet te vast aandraaien. Incorrect aandraaien kan de houdkracht van de houten schroef 8 mm x 60 mm verminderen.

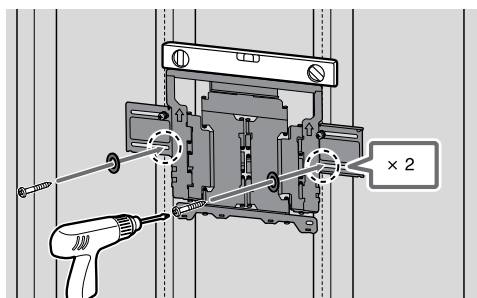
- 6 Boor gaten voor in de onderste markeringen. (Zie stap 4 voor de boorinstructies.)



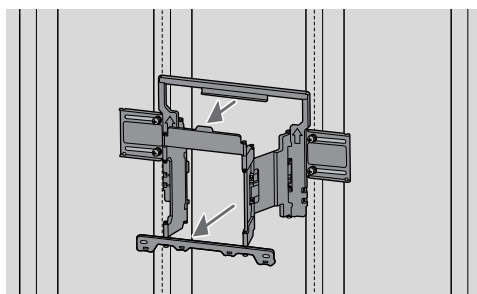
- 7 Breng gepaste schroeven en onderleggingen aan in de openingen.

Opmerking

- Gebruik een waterpas om te controleren of de wandmontagesteun waterpas is.

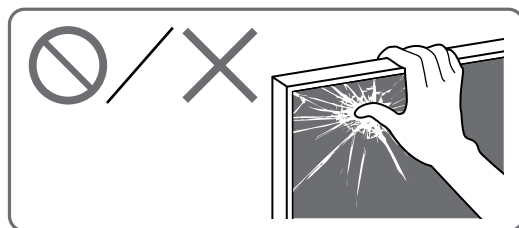


- 8 Trek de arm van de steun volledig uit.

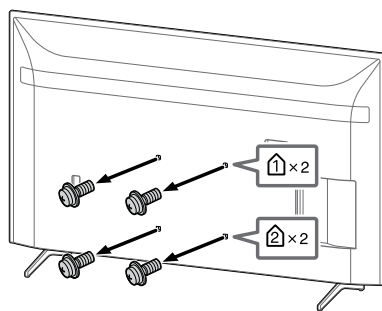


De installatie van de tv voorbereiden

Zorg ervoor dat u de tafelstandaard bevestigt voordat u de tv aan de muur monteert door de installatiehandleiding te raadplegen.



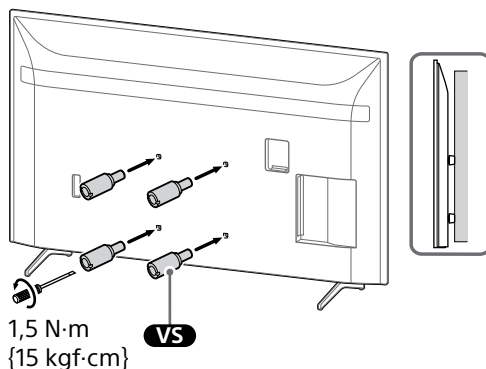
- 1 Verwijder de schroeven aan de achterkant van de televisie.



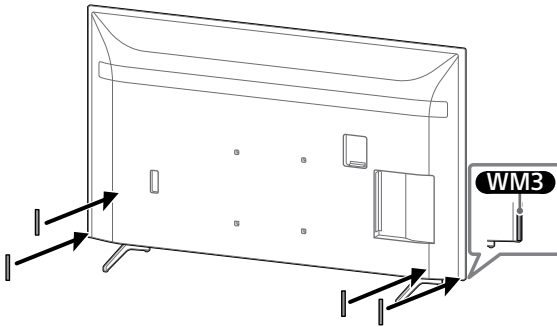
Opmerking

- Bewaar de verwijderde schroeven en ongebruikte onderdelen op een veilige plaats waar kinderen er niet bij kunnen.

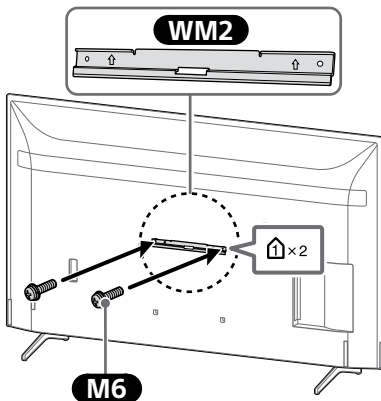
- 2 Bevestig de bevestigingsplaat voor de wandmontage (bijgeleverd met de televisie) aan de achterzijde van de televisie (om het evenwijdig aan de wand te maken).



3 Bevestig **WM3**.

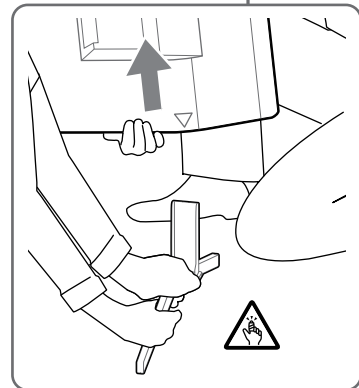
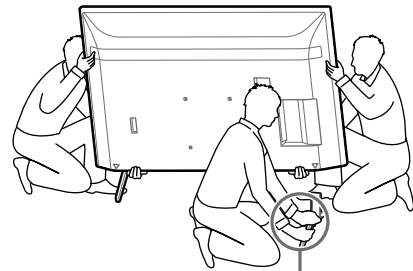


4 Bevestig **WM2** aan de TV met behulp van **M6**.



5 Maak de tafelstandaard los van de televisie.

- Verwijder één zijde van de tafelstandaard tegelijkertijd. Houd de tafelstandaard stevig vast met beide handen terwijl de andere personen de televisie optillen.

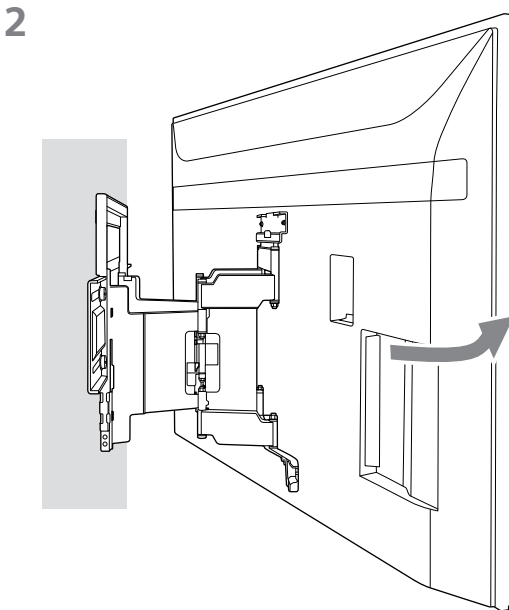
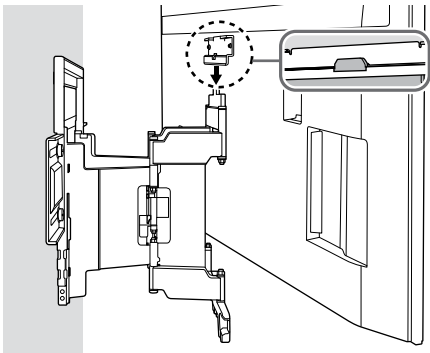
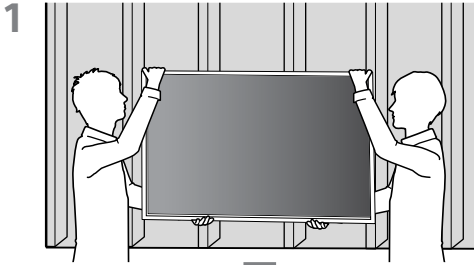


- Herhaal de vorige stap en verwijder de andere zijde van de tafelstandaard.

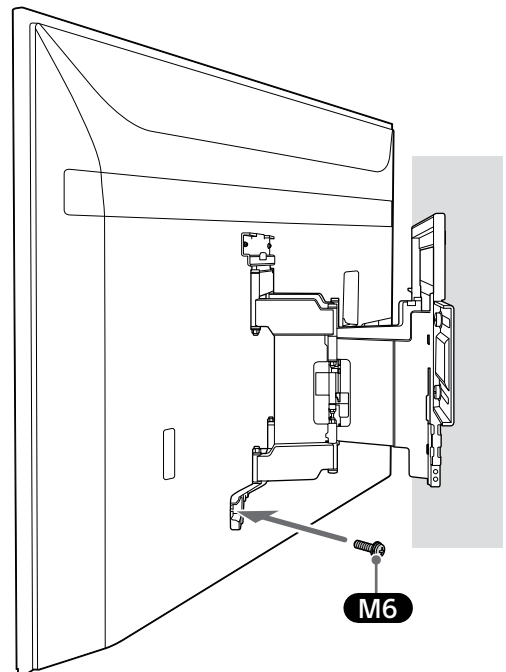
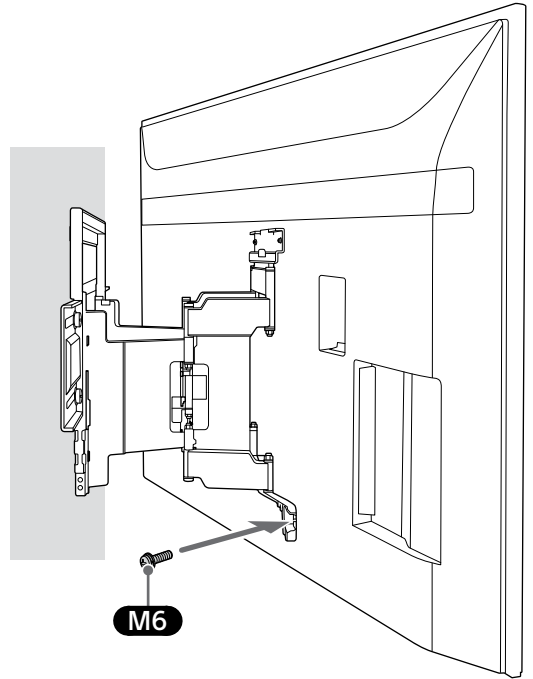
Opmerking

- Er zijn drie of meer personen nodig om de tafelstandaard te verwijderen.
- Zorg ervoor dat er niet te veel kracht wordt gebruikt bij het verwijderen van de tafelstandaard van de televisie, omdat daardoor het televisietoestel kan vallen en dit kan persoonlijk letsel of fysieke beschadiging van de televisie tot gevolg hebben.
- Wees voorzichtig met de tafelstandaard om schade aan de televisie te voorkomen.
- Wees voorzichtig bij het optillen van de tv als de tafelstandaard gedemonteerd is, omdat de tafelstandaard kan omvallen en dit persoonlijk letsel tot gevolg kan hebben.
- Wees voorzichtig bij het verwijderen van de tafelstandaard van de tv en voorkom dat deze omvalt en het oppervlak waar de tv op staat beschadigt.

De tv aan de muur bevestigen

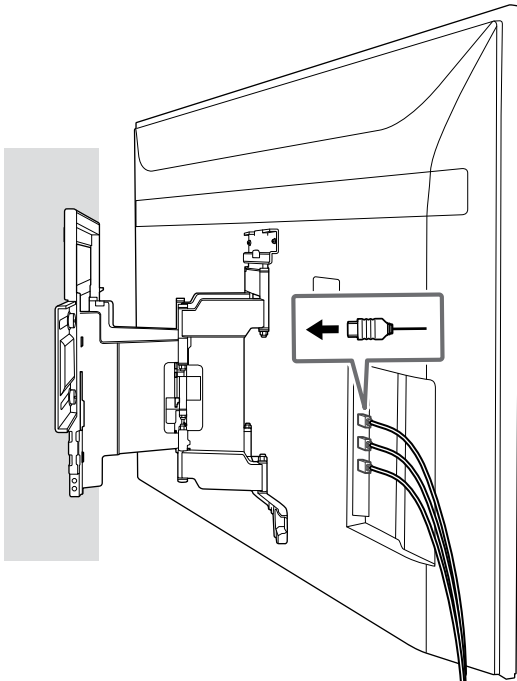


- 3 Schroef de linker- en rechterkant van de wandmontagesteun vast.



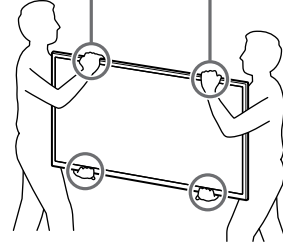
NL

4

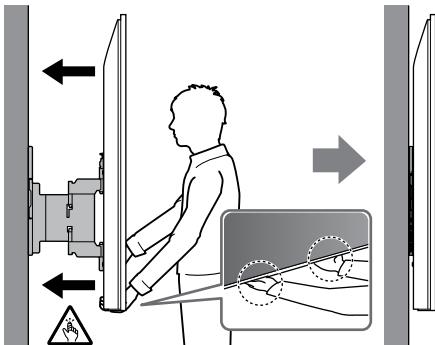


WAARSCHUWING

- Zorg dat tenminste twee personen (tenminste drie personen voor een tv-toestel van 75 inch of groter) de tv vasthouden tijdens het dragen.



- 5 Houd de tv tijdens het verplaatsen ervan stevig aan de onderkant vast.



De installatie controleren

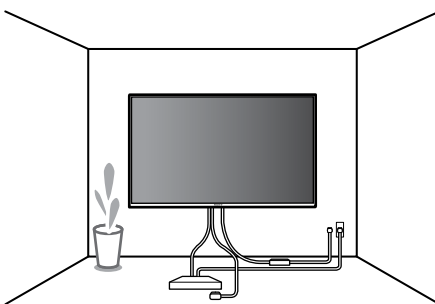
Controleer de volgende punten.

- Het snoer en de kabel zijn niet verstrengeld of gekneld.

WAARSCHUWING

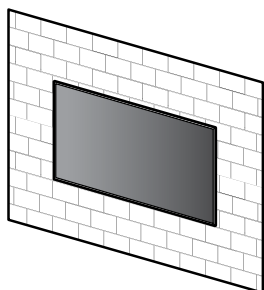
- Een fout aangesloten netsnoer enz. kan door een kortsluiting brand of elektrische schokken veroorzaken. Controleer altijd achteraf de installatie om zeker te zijn dat alles veilig is.

6

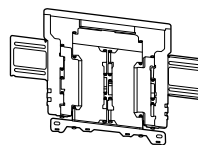


B De wandmontagesteun bevestigen aan massief beton of betonstenen

Massief beton of betonstenen



WM1

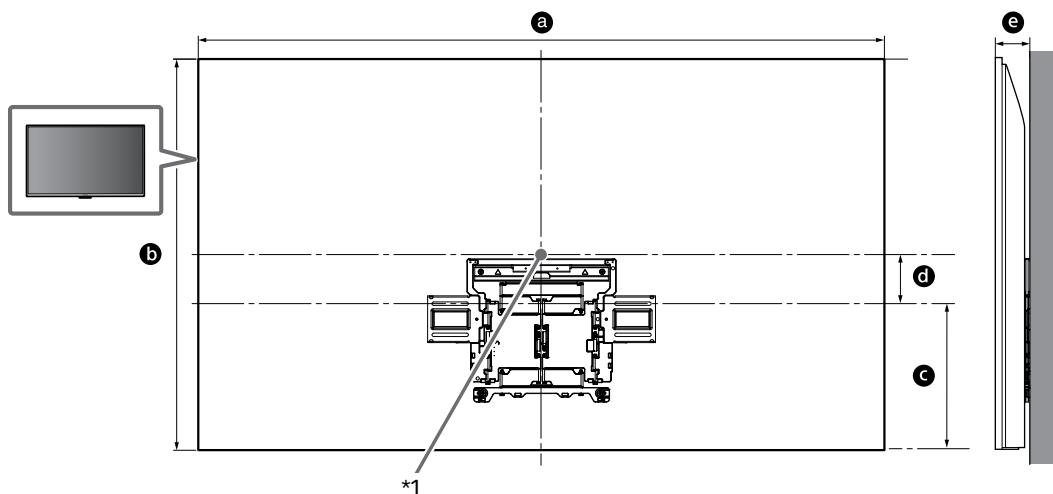


De wandmontagesteun aan de wand bevestigen

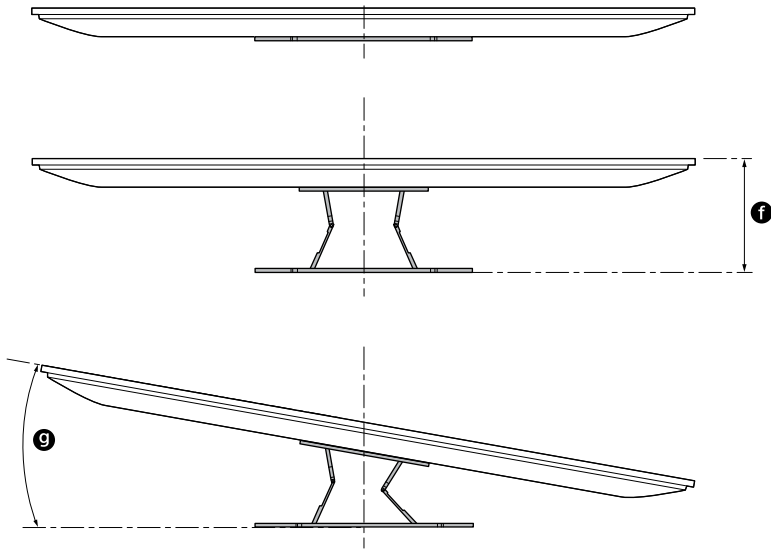
1 Bepaal waar u de tv zult installeren.

Voorzie voldoende ruimte voor de televisie aan de muur en zorg ervoor dat deze minstens vier keer het gewicht van de televisie kan dragen.

Raadpleeg de volgende tabel om de televisie op de wand te installeren. Raadpleeg de referentiehandleiding van uw televisie voor het gewicht van uw televisie.



NL



(mm)

Modelnaam	a	b	c	d	e	f*2	g*2 (°)
KD-75XH80xx	1.686	969	364	123	86	288	15
KE-75XH80xx							
KD-65XH81xx	1.462	841	365	59	83	287	18
KE-65XH81xx							
KD-65XH80xx							
KE-65XH80xx							
KD-55XH81xx	1.243	718	365	3	83	287	20
KE-55XH81xx							
KD-55XH80xx							
KE-55XH80xx							

Tabel met installatieafmetingen van de televisie (mm)

De waarden in de tabel kunnen licht afwijken afhankelijk van de installatie.

*1 (Middelpunt van het beeldscherm)

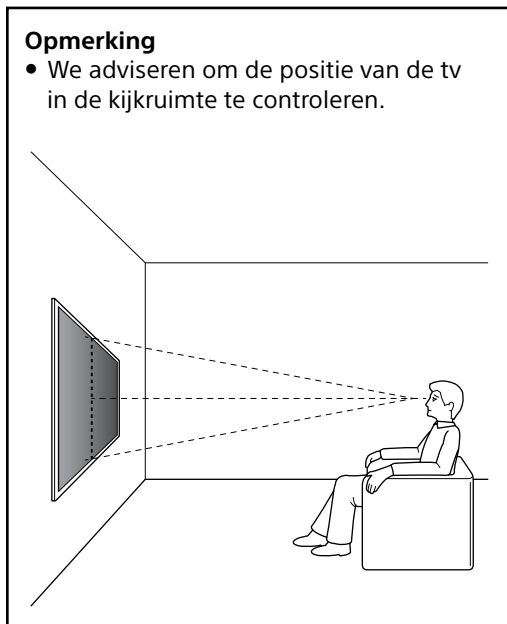
*2 (ong.)

Opmerking

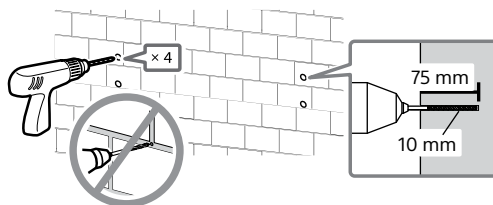
- Wanneer uw televisie aan een muur is bevestigd, helt de bovenzijde van de televisie licht naar voor.

Opmerking

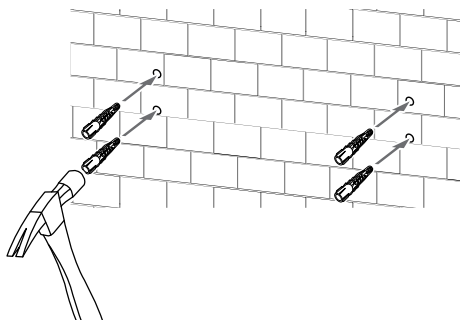
- We adviseren om de positie van de tv in de kijkruimte te controleren.



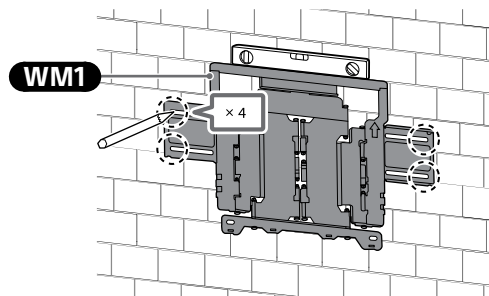
3 Boor proefgaten op de markeerpunten.



4



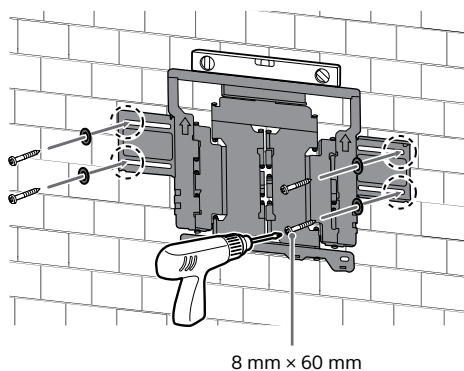
2 Plaats **WM1** horizontaal tegen de muur en breng vier markeringen aan.



Opmerking

- Gebruik een waterpas om te controleren of **WM1** waterpas is.

5 Bevestig **WM1** aan de muur met behulp van geschikte schroeven (niet bijgeleverd) en onderleggingen (niet bijgeleverd).



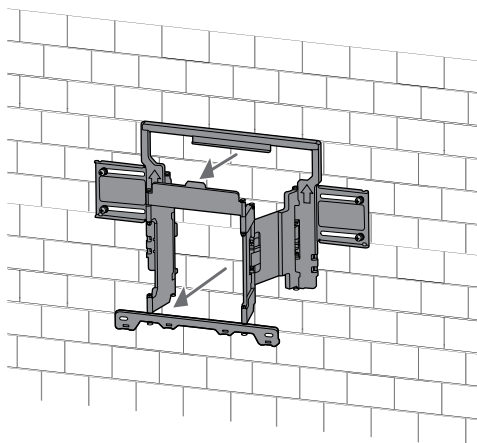
Opmerking

- Gebruik een waterpas om te controleren of de wandmontagesteun waterpas is.

Voorzichtig

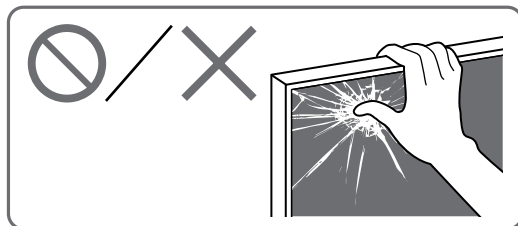
- Houten schroef 8 mm x 60 mm niet te vast aandraaien. Incorrect aandraaien kan de houdkracht van de houten schroef 8 mm x 60 mm verminderen.

- 6 Trek de arm van de steun volledig uit.

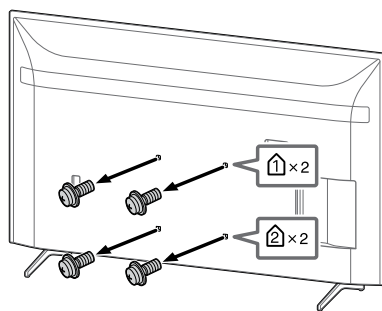


De installatie van de tv voorbereiden

Zorg ervoor dat u de tafelstandaard bevestigt voordat u de tv aan de muur monteert door de installatiehandleiding te raadplegen.



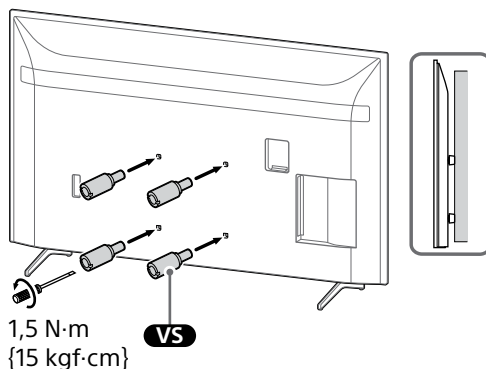
- 1 Verwijder de schroeven aan de achterkant van de televisie.



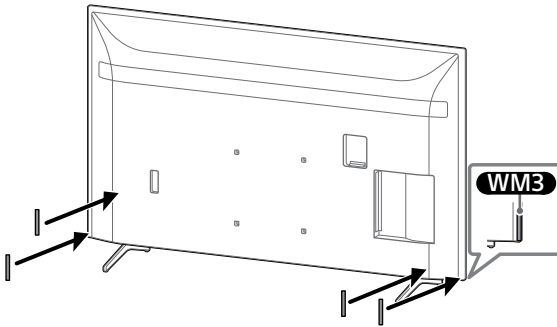
Opmerking

- Bewaar de verwijderde schroeven en ongebruikte onderdelen op een veilige plaats waar kinderen er niet bij kunnen.

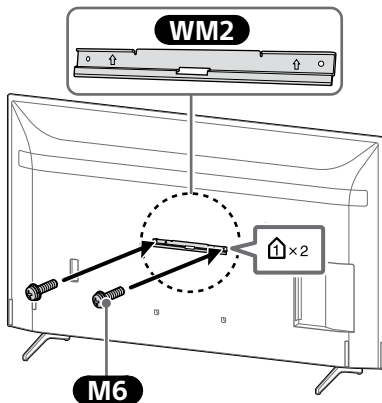
- 2 Bevestig de bevestigingsplaat voor de wandmontage (bijgeleverd met de televisie) aan de achterzijde van de televisie (om het evenwijdig aan de wand te maken).



3 Bevestig **WM3**.

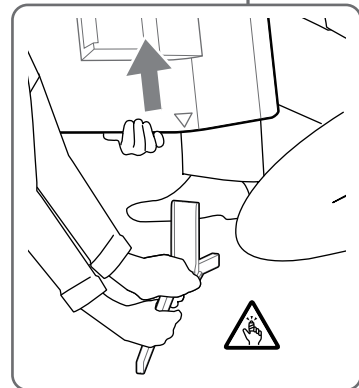
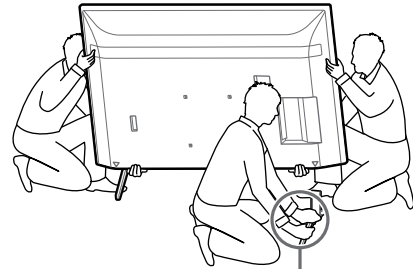


4 Bevestig **WM2** aan de TV met behulp van **M6**.



5 Maak de tafelstandaard los van de televisie.

- Verwijder één zijde van de tafelstandaard tegelijkertijd. Houd de tafelstandaard stevig vast met beide handen terwijl de andere personen de televisie optillen.



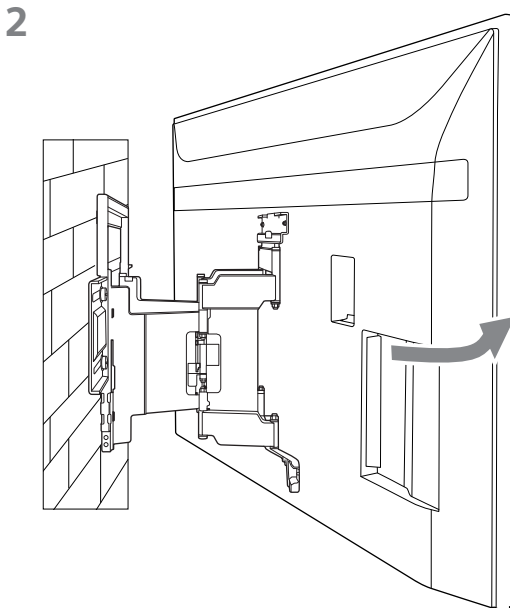
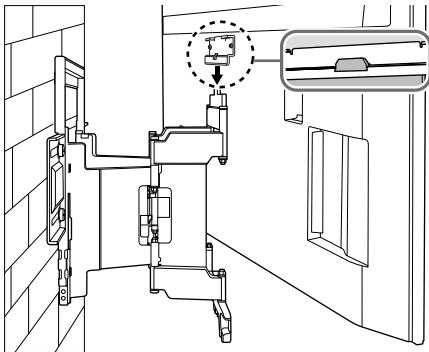
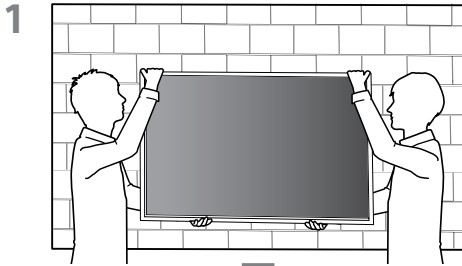
- Herhaal de vorige stap en verwijder de andere zijde van de tafelstandaard.

Opmerking

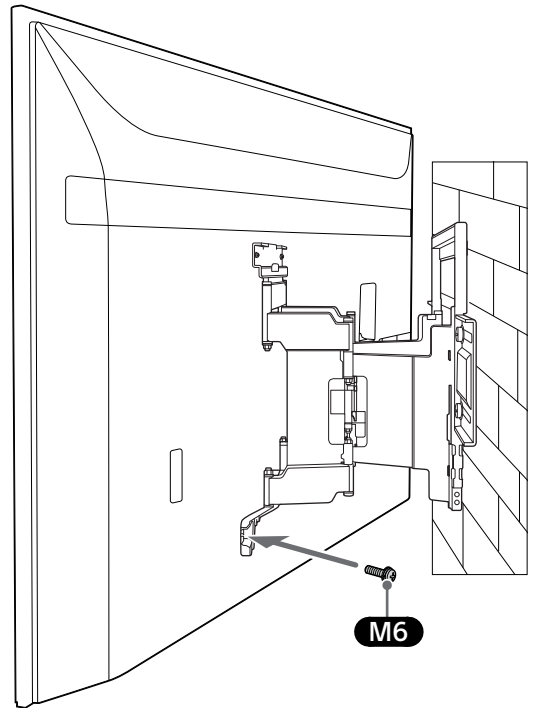
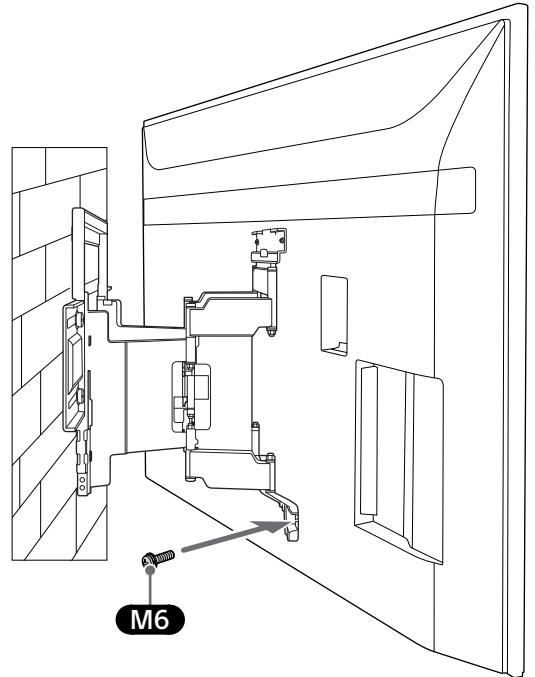
- Er zijn drie of meer personen nodig om de tafelstandaard te verwijderen.
- Zorg ervoor dat er niet te veel kracht wordt gebruikt bij het verwijderen van de tafelstandaard van de televisie, omdat daardoor het televisietoestel kan vallen en dit kan persoonlijk letsel of fysieke beschadiging van de televisie tot gevolg hebben.
- Wees voorzichtig met de tafelstandaard om schade aan de televisie te voorkomen.
- Wees voorzichtig bij het optillen van de tv als de tafelstandaard gedemonteerd is, omdat de tafelstandaard kan omvallen en dit persoonlijk letsel tot gevolg kan hebben.
- Wees voorzichtig bij het verwijderen van de tafelstandaard van de tv en voorkom dat deze omvalt en het oppervlak waar de tv op staat beschadigt.

NL

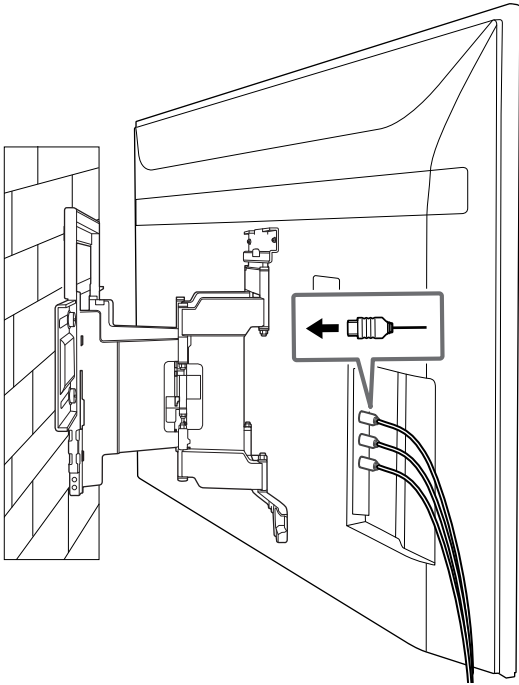
De tv aan de muur bevestigen



- 3 Schroef de linker- en rechterkant van de wandmontagesteun vast.

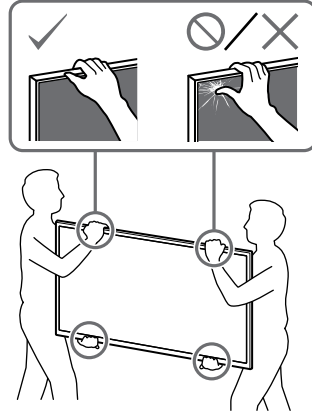


4

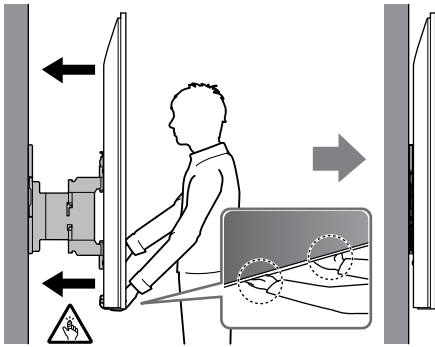


WAARSCHUWING

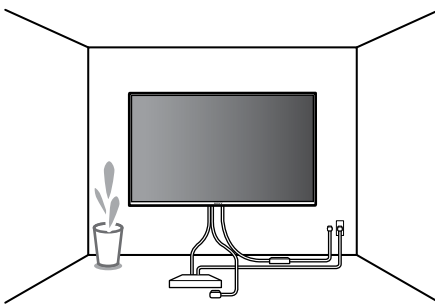
- Zorg dat tenminste twee personen (tenminste drie personen voor een tv-toestel van 75 inch of groter) de tv vasthouden tijdens het dragen.



5 Houd de tv tijdens het verplaatsen ervan stevig aan de onderkant vast.



6



NL

De installatie controleren

Controleer de volgende punten.

- Het snoer en de kabel zijn niet verstrengeld of gekneld.

WAARSCHUWING

- Een fout aangesloten netsnoer enz. kan door een kortsluiting brand of elektrische schokken veroorzaken. Controleer altijd achteraf de installatie om zeker te zijn dat alles veilig is.

Extra informatie

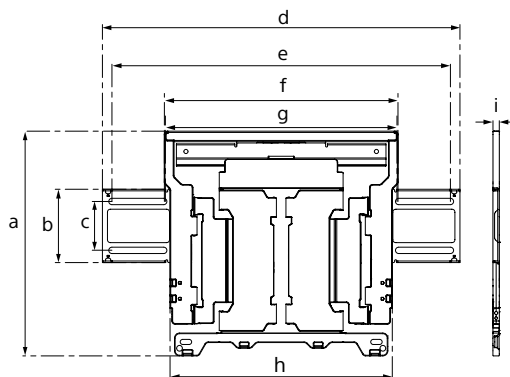
Voer de hiervoor beschreven installatieprocedure omgekeerd uit om de tv van de muur te verwijderen.

WAARSCHUWING

- Zorg dat tenminste twee personen (tenminste drie personen voor een tv-toestel van 75 inch of groter) de tv vasthouden tijdens het verwijderen.

Technische gegevens

WM1



Afmetingen: (ong.) [mm]

- a : 354
- b : 116
- c : 77
- d : 563
- e : 533
- f : 370
- g : 368
- h : 350
- i : 11

Gewicht (alleen voet): (ong.) [kg]

3,0

Wijzigingen aan het ontwerp en de technische gegevens zijn voorbehouden zonder kennisgeving.

Informazioni sull'installazione per l'utilizzo della staffa di montaggio a parete Sony (SU-WL850)

Modelli supportati*:

KD-75XH80xx / 65XH81xx / 65XH80xx / 55XH81xx / 55XH80xx

KE-75XH80xx / 65XH81xx / 65XH80xx / 55XH81xx / 55XH80xx

* Nei nomi dei modelli, "xx" indica numeri e/o caratteri utilizzati per designare i singoli modelli.

Ai Clienti

Per la protezione del prodotto e per motivi di sicurezza, Sony consiglia caldamente di far realizzare l'installazione del televisore da rivenditori Sony o distributori autorizzati. Non cercare di installare il televisore da soli.

Per i rivenditori e gli installatori Sony

Prestare particolare attenzione alle misure di sicurezza durante l'installazione, la manutenzione periodica e la revisione del presente prodotto.

Per l'installazione di questo prodotto è necessaria una certa esperienza, soprattutto per stabilire la resistenza del muro che dovrebbe sostenere il peso del televisore. Affidare il lavoro di collocazione di questo prodotto a parete a rivenditori Sony o a distributori autorizzati e prestare l'attenzione necessaria alla sicurezza durante l'installazione. Sony non si assume alcuna responsabilità in caso di danni o ferite causate da una gestione non adeguata o da un'installazione scorretta.

Per un'installazione sicura e corretta, seguire le istruzioni per l'uso della staffa di montaggio a parete, la guida di installazione del televisore e le istruzioni contenute nel presente manuale.

Staffa di montaggio a parete

Informazioni sulla sicurezza

Grazie per aver acquistato questo prodotto.

Ai Clienti

Installazione del televisore a parete



AVVERTENZA

INSTALLAZIONE PROFESSIONALE NECESSARIA

Il presente prodotto deve essere installato esclusivamente da un professionista qualificato, in grado di verificare se la parete è sufficientemente solida da sostenere il peso della TV. Se non viene assicurata saldamente durante l'installazione, la TV potrebbe cadere e causare lesioni gravi. Sony non potrà essere ritenuta responsabile per danni o lesioni causate da usi non appropriati del prodotto, da installazione non corretta o da installazioni di prodotti diversi da quello specificato. Quanto dichiarato non pregiudica (eventuali) diritti legali dell'acquirente.

Informazioni per i rivenditori Sony

Per l'installazione di questo prodotto è necessario disporre di sufficiente competenza. Leggere attentamente il presente manuale di istruzioni per garantire la corretta esecuzione della procedura di installazione. Sony non potrà essere ritenuta responsabile per danni o lesioni causate da usi non appropriati del prodotto o da installazione non corretta. Consegnare il presente manuale al cliente dopo l'installazione.

Il presente manuale di istruzioni spiega come utilizzare correttamente questo prodotto; inoltre, contiene precauzioni importanti da rispettare per prevenire incidenti. È responsabilità dell'utente leggere, comprendere e rispettare tutte le istruzioni contenute nel presente manuale di istruzioni. La mancata osservanza di quanto contenuto nel presente manuale potrebbe causare lesioni personali gravi o danni agli oggetti e potrebbe rendere nulla la garanzia. Conservare questo manuale a portata di mano per poterlo consultare in futuro.

I prodotti Sony sono progettati per essere sicuri. Ciononostante, è possibile che, se i prodotti vengono utilizzati in modo errato, si verifichino lesioni gravi dovute a incendi, scosse elettriche, ribaltamento o caduta dei prodotti stessi. Onde evitare tali incidenti, accertarsi di osservare le appropriate precauzioni per la sicurezza.

ATTENZIONE

Prodotti specificati

Questa staffa di montaggio a parete è progettata per essere utilizzata con i televisori specificati. Per la TV, consultare la rispettiva "Guida di riferimento" per verificare che possa essere utilizzata la staffa di montaggio a parete.

Ai Clienti

AVVERTENZA

Se le precauzioni riportate di seguito non vengono rispettate, è possibile procurarsi lesioni gravi o mortali a causa di incendi, scosse elettriche o caduta del prodotto.

Assicurarsi che l'installazione venga eseguita da personale autorizzato e tenere lontani i bambini durante l'installazione.

Se la staffa di montaggio a parete o il televisore non vengono installati correttamente, possono verificarsi i seguenti incidenti. Accertarsi che l'installazione sia effettuata da personale autorizzato.

- Il televisore potrebbe cadere e causare lesioni gravi, per esempio contusioni o fratture.
- Se la parete su cui viene installata la staffa di montaggio a parete è instabile, irregolare oppure non è perpendicolare al pavimento, l'unità potrebbe cadere causando lesioni o danni a oggetti. La parete deve essere in grado di sostenere un peso pari ad almeno sei volte il peso della TV.
(Per quanto riguarda il peso, consultare la "Guida di riferimento" della TV.)
- Se l'installazione a muro della staffa di montaggio non è sufficientemente salda sulla parete, l'unità potrebbe cadere e causare lesioni o danni a oggetti.

Assicurarsi che lo spostamento o lo smontaggio del televisore vengano eseguiti da personale autorizzato.

Qualora lo spostamento o lo smontaggio del televisore vengano eseguiti da personale non autorizzato, il televisore potrebbe cadere e causare lesioni o danni a oggetti. Assicurarsi che due o più persone (tre o più persone per televisori a 75 pollici e oltre) trasportino o smontino il televisore.

Dopo aver completato il montaggio del televisore, non rimuovere viti o altri elementi simili.

In caso contrario, il televisore potrebbe cadere e provocare lesioni o danni a oggetti.

Non effettuare modifiche sulla staffa di montaggio a parete.

In caso contrario, la staffa di montaggio a parete potrebbe cadere e provocare lesioni o danni a oggetti.

Non montare prodotti diversi da quelli specificati.

Questa staffa di montaggio a parete è progettata per essere utilizzata esclusivamente con il prodotto specificato. Se viene montato un prodotto diverso da quello specificato, questo potrebbe cadere o rompersi causando lesioni o danni a oggetti.

Non collocare altri oggetti diversi dal televisore sulla staffa di montaggio a parete.

Non scuotere il televisore verso destra/sinistra o verso l'alto/il basso.

In caso contrario, il televisore potrebbe cadere e provocare lesioni o danni a oggetti.

Non appoggiarsi né aggrapparsi al televisore.

Non appoggiarsi né aggrapparsi al televisore perché potrebbe cadere e causare lesioni gravi.

ATTENZIONE

In caso di inosservanza delle seguenti precauzioni, potrebbero verificarsi lesioni o danni a oggetti.

- Prestare attenzione a non schiacciarsi le dita durante l'utilizzo della staffa di montaggio a parete o mentre si fa ruotare la TV.
- Quando si orienta il TV, maneggiarlo con cautela e fare attenzione a non colpire eventuali persone nelle vicinanze.
- Accertarsi di riporre le parti non utilizzate in un luogo sicuro per riutilizzarle eventualmente in futuro. Tenere queste parti fuori dalla portata dei bambini.

Non esercitare una pressione eccessiva sul prodotto durante le operazioni di pulizia o manutenzione.

Non applicare una forza eccessiva sulla parte superiore del televisore. In caso contrario, il televisore potrebbe cadere e provocare lesioni o danni a oggetti.

Precauzioni

- Se si utilizza il televisore installato sulla staffa di montaggio a parete per un tempo prolungato, è possibile che la parete dietro o sopra il televisore si scolorisca o che la carta da parati si stacchi, a seconda del materiale di cui è costituita la parete.
- Se la staffa di montaggio a parete viene rimossa dopo essere stata installata sulla parete, i fori delle viti rimangono.
- Non utilizzare la staffa di montaggio a parete in luoghi soggetti a vibrazioni meccaniche.

Installazione della staffa di montaggio a parete

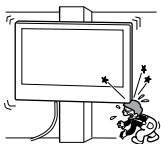
Informazioni per i rivenditori Sony

AVVERTENZA

Le seguenti istruzioni si rivolgono esclusivamente ai rivenditori Sony. Accertarsi di leggere le precauzioni per la sicurezza descritte in precedenza e prestare particolare attenzione alla sicurezza durante le operazioni di installazione, manutenzione e controllo del prodotto.

Non installare la staffa di montaggio a parete su un muro dove gli angoli o i lati del televisore sporgono dalla superficie del muro stesso.

Non installare la staffa di montaggio a parete su un pilastro se gli angoli o i lati del televisore sporgono dalla superficie del pilastro stesso. Se una persona o un oggetto dovessero urtare la parte sporgente del televisore, potrebbero verificarsi lesioni o danni a oggetti.

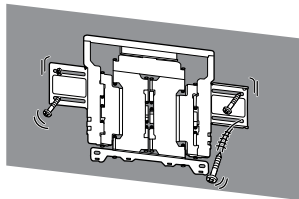


Non installare il televisore sopra o sotto un condizionatore d'aria.

Se il televisore rimane esposto a perdite d'acqua o correnti d'aria provenienti da un condizionatore per lungo tempo, potrebbero verificarsi incendi, scosse elettriche o malfunzionamenti del televisore.

Accertarsi di installare saldamente la staffa di montaggio a parete rispettando le istruzioni contenute in questo manuale.

Se una o più viti dovessero apparire allentate o dovessero cadere, la staffa di montaggio a parete potrebbe cadere a sua volta, causando lesioni a persone o danni a oggetti. Accertarsi di utilizzare viti adatte al tipo di parete e installare l'unità in maniera sicura usando quattro viti con diametro di 8 mm (o equivalenti).



Accertarsi di utilizzare correttamente le viti e gli altri materiali per l'installazione in dotazione rispettando le istruzioni contenute in questo manuale di istruzioni. Se si utilizzano altri materiali, il televisore potrebbe cadere e causare lesioni a persone o danni al televisore stesso.

Accertarsi di montare correttamente la staffa rispettando la procedura spiegata nel presente manuale di istruzioni.

Se una o più viti dovessero apparire allentate o dovessero cadere, il televisore potrebbe cadere e causare lesioni a persone o danni al televisore stesso.

Accertarsi di serrare saldamente le viti nella posizione indicata.

In caso contrario, il televisore potrebbe cadere e causare lesioni a persone o danni al televisore stesso.

Evitare che il televisore subisca urti durante l'installazione.

Se il televisore subisce urti, potrebbe cadere o rompersi. Ciò potrebbe causare lesioni.

Accertarsi di installare il televisore su una parete perpendicolare e piana.

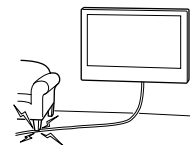
In caso contrario, il televisore potrebbe cadere e provocare lesioni.

Dopo aver completato correttamente l'installazione del televisore, fissare correttamente i cavi.

Qualora persone o oggetti dovessero rimanere impigliati nei cavi, ciò potrebbe causare lesioni o danni al televisore.

Verificare che il cavo di alimentazione CA o il cavo di collegamento non rimangano incastrati.

Se il cavo di alimentazione CA o il cavo di collegamento rimangono incastrati tra il prodotto e la parete oppure vengono piegati o attorcigliati forzatamente, è possibile che i conduttori interni restino scoperti, provocando cortocircuiti o rotture dei cavi stessi. Ciò potrebbe causare incendi o scosse elettriche.



Le viti necessarie per l'installazione a parete della staffa di montaggio non sono fornite in dotazione.

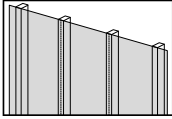
Per montare la staffa di montaggio a parete, utilizzare le viti appropriate per il materiale di cui è composta la parete.

Operazioni preliminari

Innanzitutto, controllare il tipo di parete su cui sarà installata la TV.

Di cosa è fatta la parete?

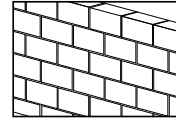
Parete in cartongesso con montanti



Precauzioni

- Spessore massimo del cartongesso: 16 mm.
- Assicurarsi che la dimensione dei montanti di legno interni sia almeno 51 x 102 mm per comune o 38 x 89 mm per nominale.
- Mantenere uno spazio orizzontale minimo di 406 mm tra i fissaggi.

Parete in cemento pieno o mattoni di cemento



Precauzioni

- Montare la staffa di montaggio a parete direttamente sulla parete in cemento pieno.
- Assicurarsi che lo spessore della parete di cemento pieno sia di almeno 203 mm.
- Assicurarsi che la dimensione di ciascun mattone di cemento sia di almeno 203 x 406 mm.

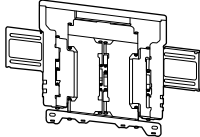

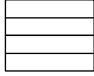

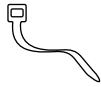
Preparazione per l'installazione

- Tenere la Guida di riferimento e la guida di installazione del televisore a portata di mano prima dell'installazione.
- Controllare la posizione di installazione del televisore.
- Preparare quattro viti con diametro di 8 mm e quattro rondelle appropriate (non in dotazione).
Scegliere viti adatte al materiale di cui è composta la parete.

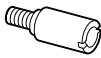
Controllo degli elementi

In dotazione con SU-WL850

- Verificare che tutti gli elementi necessari siano inclusi.



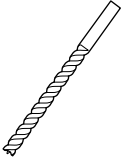
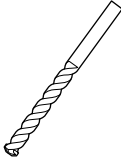
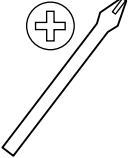



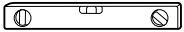
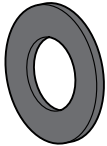

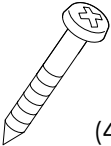
A WM1 (1) 	B WM2 (1) 
C WM3 (4) 	D M6 (4) 
E WT1 (6) 	

In dotazione con il televisore

VS Accessorio di montaggio a parete (4) 



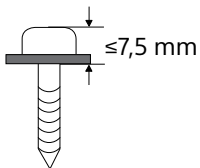
Strumenti necessari

*1 	  5,5 mm  10 mm 		
*2    1,5 N·m {15 kgf·cm} 			
*3  (4)	*2  (4)	*3  (4) 8 mm x 60 mm	

*1 Solo per pareti in cartongesso con montanti

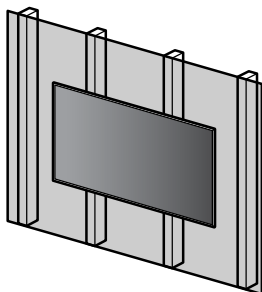
*2 Solo per pareti in cemento pieno o mattoni di cemento

*3 Prestare attenzione al momento di scegliere le viti e le rondelle

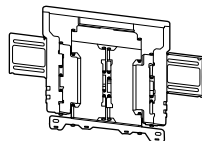


A Fissaggio della TV alla parete in cartongesso con montanti

Parete in cartongesso con montanti



WM1

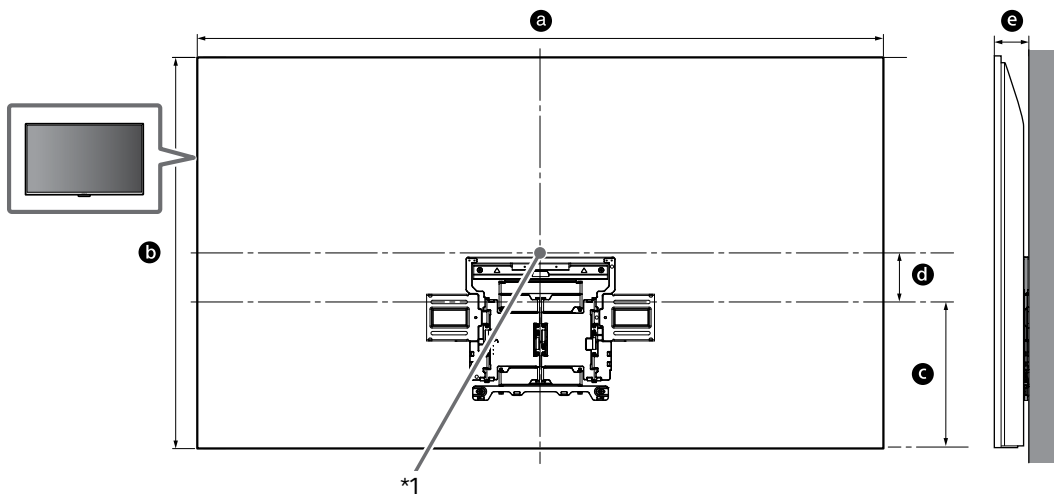


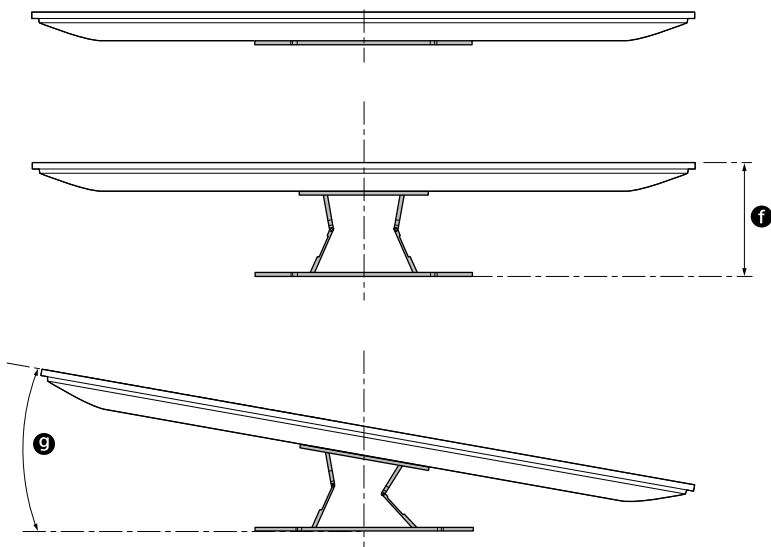
Installazione della staffa di montaggio a parete alla parete

1 Scegliere la posizione di installazione.

Assicurarsi che la parete abbia abbastanza spazio per il televisore e sia in grado di sostenere un peso pari almeno a quattro volte quello del televisore.

Consultare la seguente tabella sull'installazione del televisore alla parete. Consultare la Guida di riferimento del televisore per conoscere il suo peso.





(mm)

Nome del modello	a	b	c	d	e	f*2	g*2 (°)
KD-75XH80xx	1.686	969	364	123	86	288	15
KE-75XH80xx							
KD-65XH81xx	1.462	841	365	59	83	287	18
KE-65XH81xx							
KD-65XH80xx							
KE-65XH80xx	1.243	718	365	3	83	287	20
KD-55XH81xx							
KE-55XH81xx							
KD-55XH80xx							
KE-55XH80xx							

Installazione televisore, tabella dimensioni (mm)

I numeri nella tabella potrebbero variare leggermente a seconda dell'installazione.

*1 (Punto centrale dello schermo)

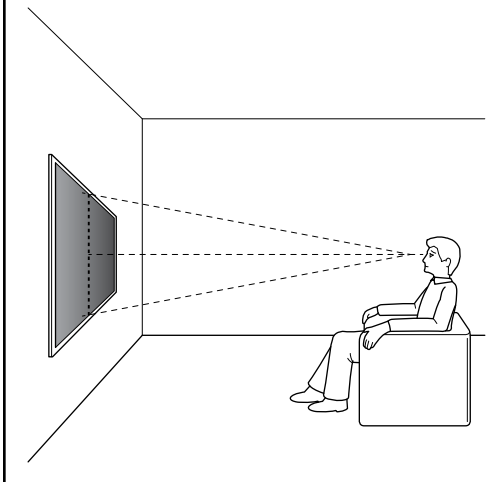
*2 (Circa)

Nota

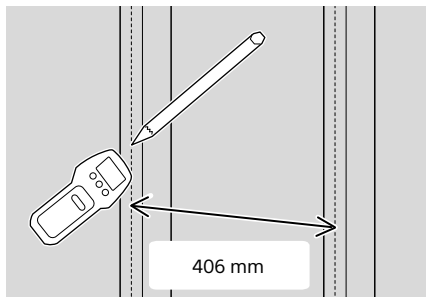
- Quando il televisore è installato alla parete, la parte superiore del televisore sporge leggermente in avanti.

Nota

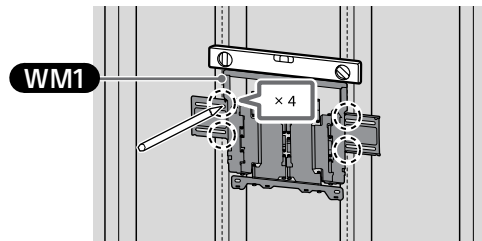
- Raccomandiamo di verificare che la TV sia visibile correttamente dalla posizione prescelta.



2

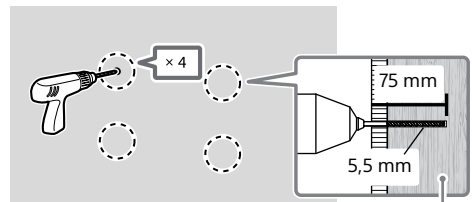


- 3 Allineare **WM1** alla parete e accertarsi che i quattro contrassegni siano allineati con i montanti.

**Nota**

- Utilizzare una livella per controllare che **WM1** sia al livello giusto.

- 4 Effettuare quindi i fori superiori in corrispondenza dei contrassegni.

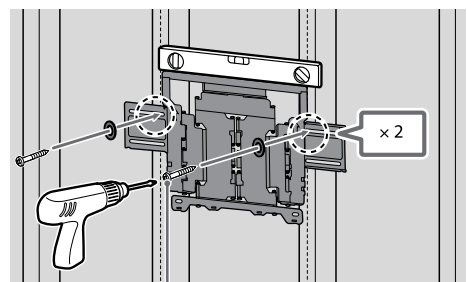


Montanti o rinforzo

Nota

- I fori devono avere una profondità di 75 mm; utilizzare un trapano con punta con diametro di 5,5 mm.

- 5 Installare **WM1** sulla parete utilizzando le viti (non in dotazione) e le rondelle (non in dotazione) appropriate.



8 mm × 60 mm

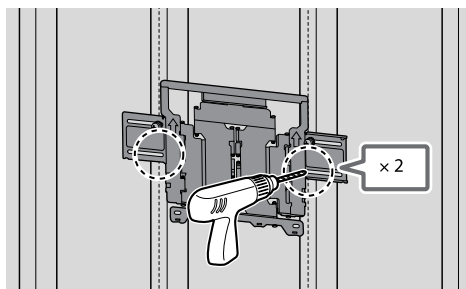
Nota

- Utilizzare una livella per controllare che **WM1** sia al livello giusto.

Precauzioni

- Non stringere eccessivamente le viti in legno da 8 mm × 60 mm. Un serraggio errato potrebbe ridurre la presa della vite in legno da 8 mm × 60 mm.

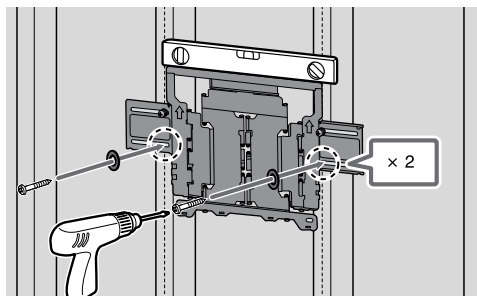
- 6 Effettuare i fori inferiori in corrispondenza dei contrassegni. (Fare riferimento al punto 4 per le istruzioni su come eseguire i fori.)



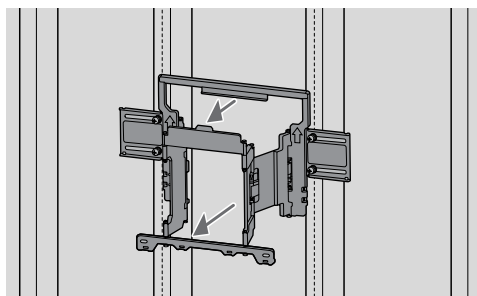
- 7 Inserire le viti e le rondelle appropriate nei fori.

Nota

- Utilizzare una livella per verificare che la staffa di montaggio a parete sia al livello giusto.

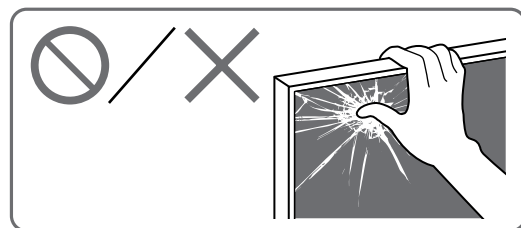


- 8 Estrarre completamente il braccio della staffa.

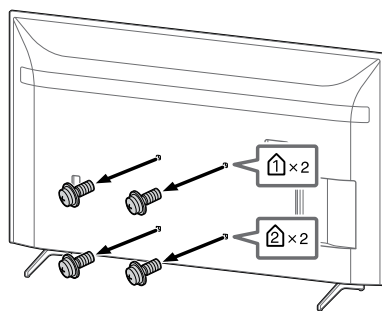


Preparazione per l'installazione del televisore

Verifica di fissare il piedistallo prima di installare la TV a parete, facendo riferimento alla Guida di installazione.



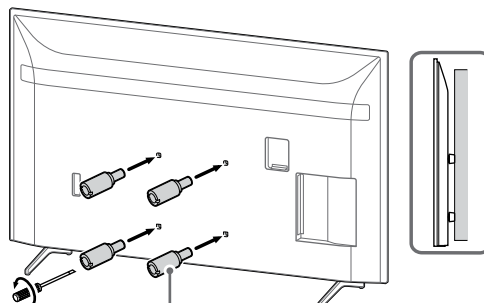
- 1 Rimuovere le viti dalla parte posteriore del televisore.



Nota

- Assicurarsi di conservare le viti rimosse e le parti non utilizzate in un luogo sicuro, lontano dalla portata dei bambini.

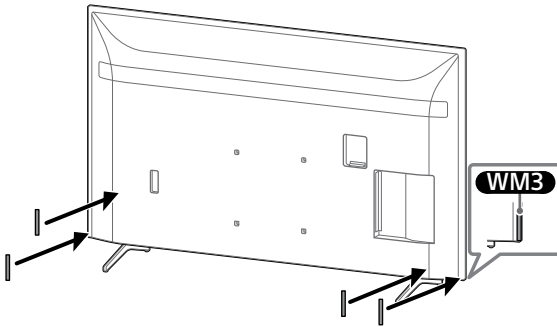
- 2 Collegare l'accessorio di montaggio a parete (in dotazione con il televisore) al retro del televisore (per renderlo parallelo alla parete).



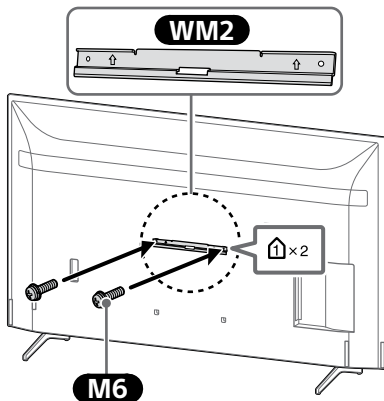
1,5 N·m
{15 kgf·cm}

VS

3 Fissare WM3.

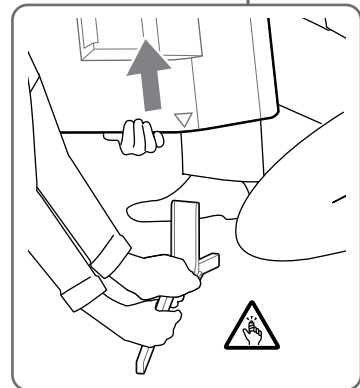
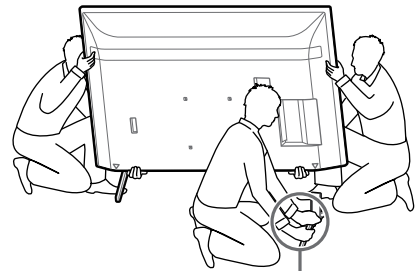


4 Fissare WM2 alla TV usando M6.



5 Rimuovere il supporto da tavolo dal televisore.

- Rimuovere un lato del supporto da tavolo alla volta. Tenere saldamente il supporto da tavolo con entrambe le mani mentre le altre persone sollevano il televisore.

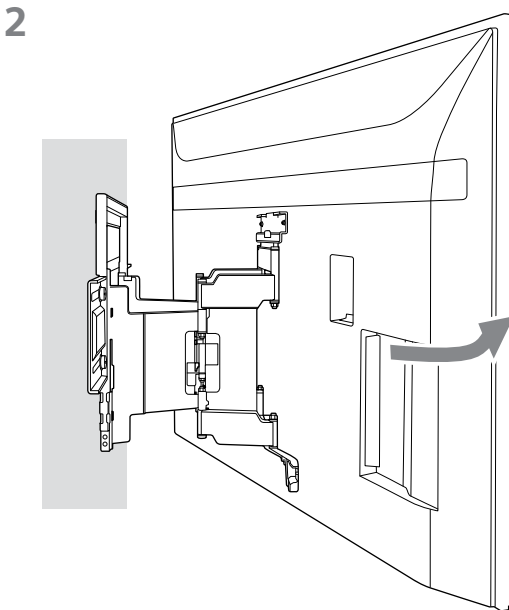
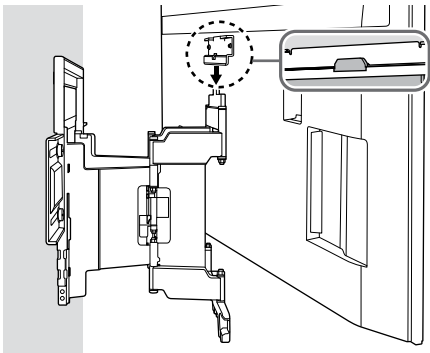
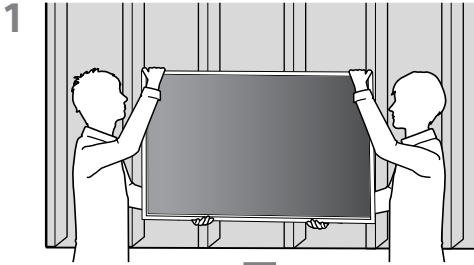


- Ripetere i passaggi precedenti e rimuovere l'altro lato del supporto da tavolo.

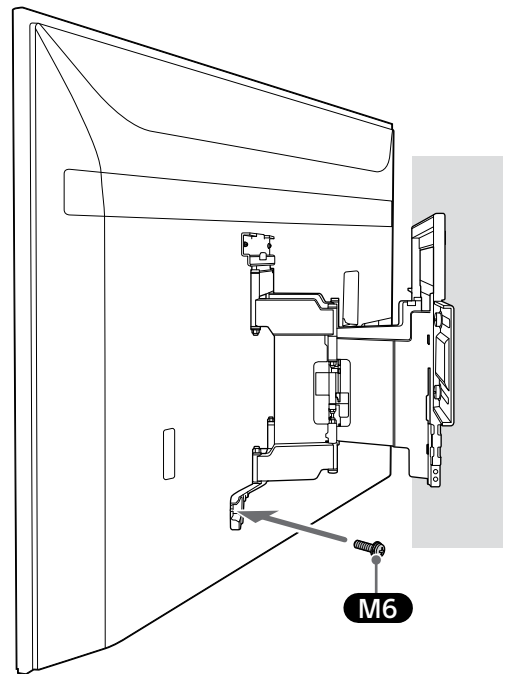
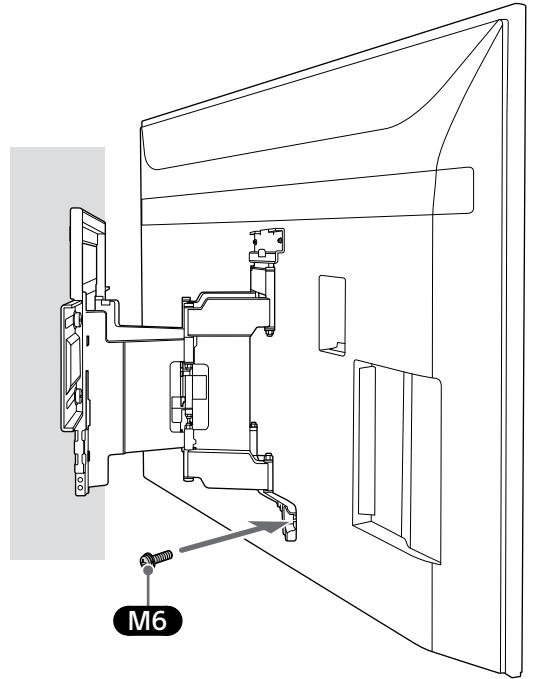
Nota

- Per rimuovere il supporto da tavolo sono necessarie tre o più persone.
- Prestare attenzione a non esercitare eccessiva forza durante la rimozione del supporto da tavolo dal televisore poiché il televisore potrebbe cadere e causare lesioni o danni materiali al televisore.
- Prestare attenzione durante la manipolazione del supporto da tavolo per evitare danni al televisore.
- Fare attenzione quando si solleva il televisore mentre si stacca il supporto da tavolo, questo potrebbe rovesciarsi e causare lesioni personali.
- Fare attenzione quando si rimuove il supporto da tavolo dal televisore per evitare che cada e danneggi la superficie su cui si trova il televisore.

Installazione del televisore a parete

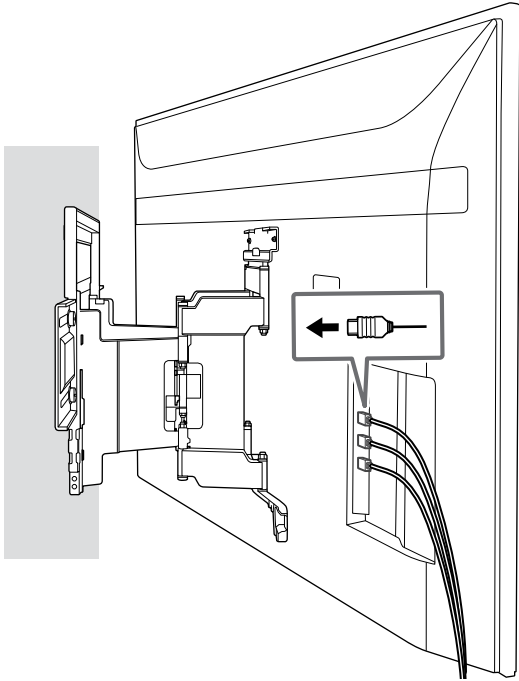


- 3 Avvitare il lato sinistro e destro della staffa di montaggio a parete.



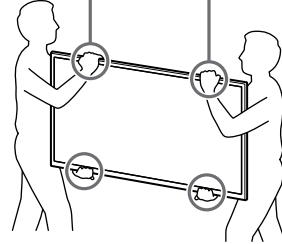
IT

4

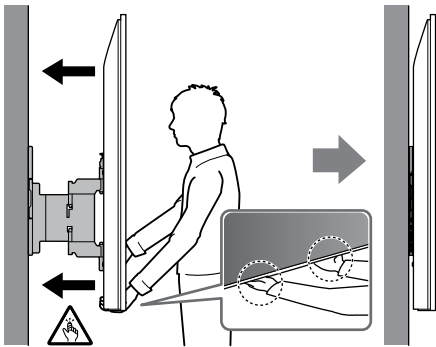


AVVERTENZA

- Assicurarsi che due o più persone (tre o più persone per televisori a 75 pollici e oltre) mantengano il televisore durante il trasporto.



5 Quando si sposta la TV, afferrarla e tenerla saldamente dal fondo.



Controllo finale dopo l'installazione

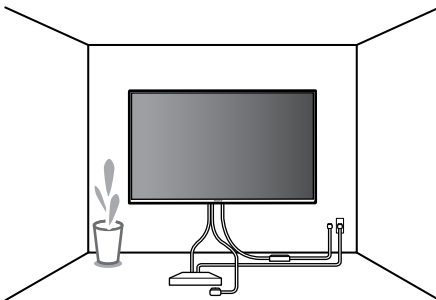
Verificare quanto segue.

- I cavi non sono attorcigliati o incastrati.

AVVERTENZA

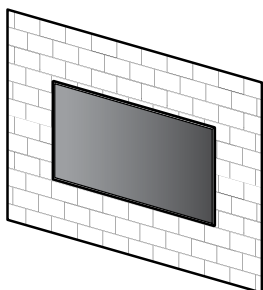
- Un posizionamento non corretto del cavo di alimentazione CA ecc. può causare corto circuiti e, di conseguenza, incendi o scosse elettriche. Una volta completata l'installazione, accertarsi di verificarne la sicurezza.

6

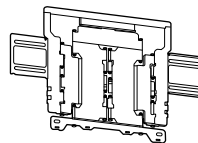


B Fissaggio della staffa di montaggio a parete alla parete di cemento pieno o di mattoni di cemento

Parete in cemento pieno o mattoni di cemento



WM1

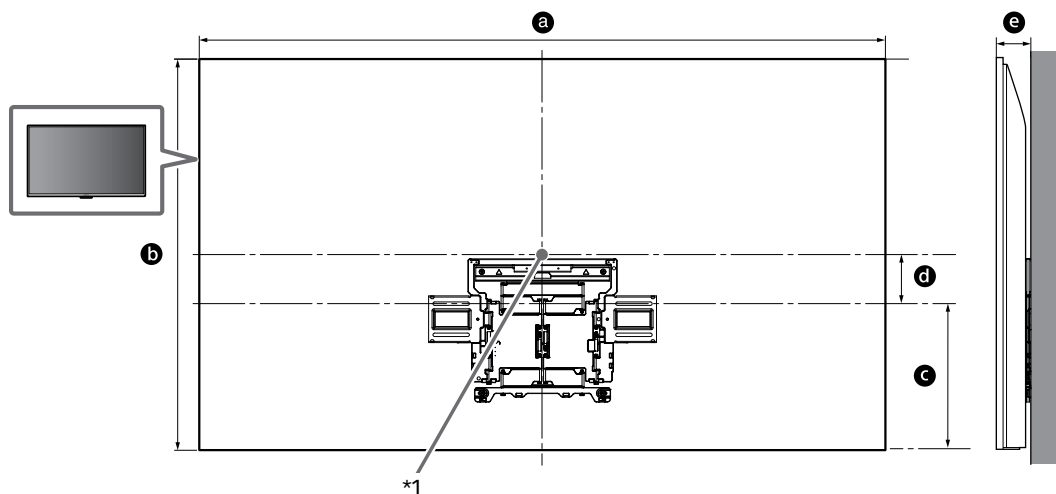


Installazione della staffa di montaggio a parete alla parete

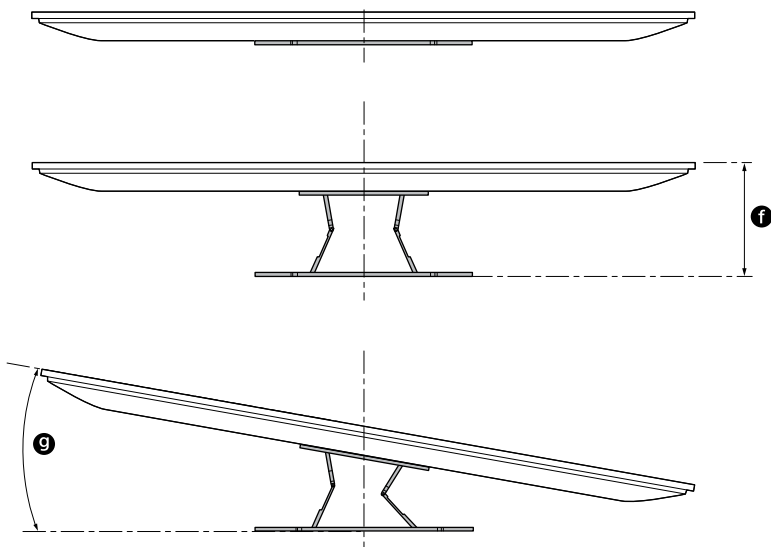
1 Scegliere la posizione di installazione.

Assicurarsi che la parete abbia abbastanza spazio per il televisore e sia in grado di sostenere un peso pari almeno a quattro volte quello del televisore.

Consultare la seguente tabella sull'installazione del televisore alla parete. Consultare la Guida di riferimento del televisore per conoscere il suo peso.



IT



(mm)

Nome del modello	a	b	c	d	e	f*2	g*2 (°)
KD-75XH80xx	1.686	969	364	123	86	288	15
KE-75XH80xx							
KD-65XH81xx	1.462	841	365	59	83	287	18
KE-65XH81xx							
KD-65XH80xx							
KE-65XH80xx	1.243	718	365	3	83	287	20
KD-55XH81xx							
KE-55XH81xx							
KD-55XH80xx							
KE-55XH80xx							

Installazione televisore, tabella dimensioni (mm)

I numeri nella tabella potrebbero variare leggermente a seconda dell'installazione.

*1 (Punto centrale dello schermo)

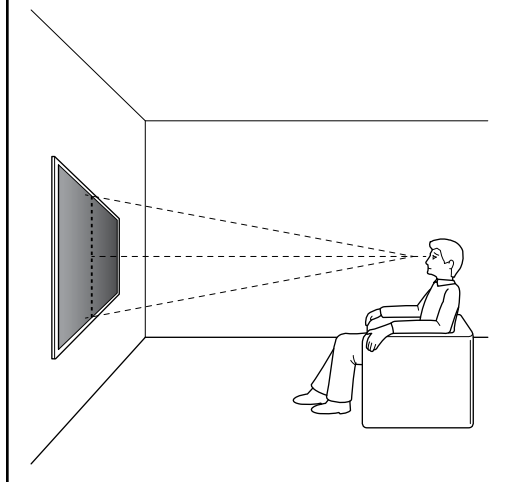
*2 (Circa)

Nota

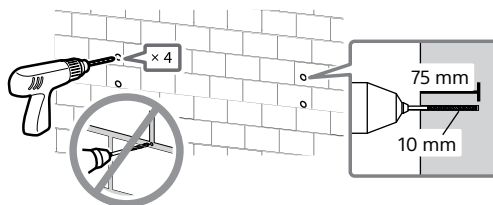
- Quando il televisore è installato alla parete, la parte superiore del televisore sporge leggermente in avanti.

Nota

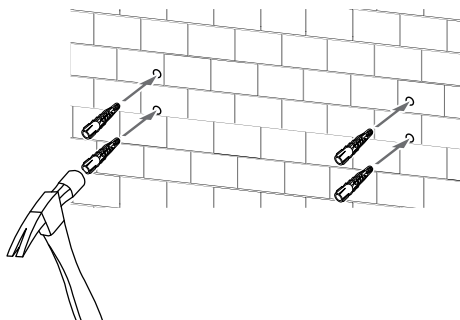
- Raccogliamo di verificare che la TV sia visibile correttamente dalla posizione prescelta.



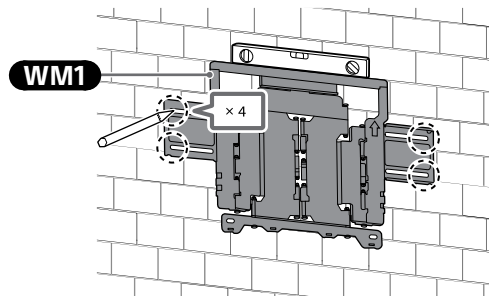
3 Fare i fori basandosi sui contrassegni.



4

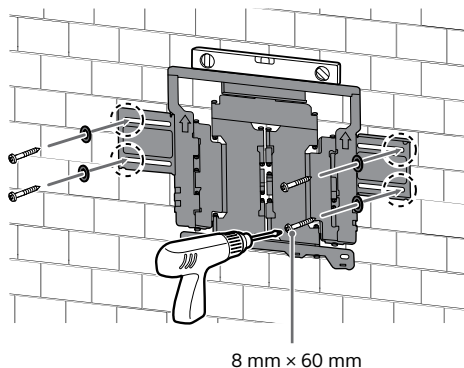


2 Allineare WM1 alla parete e fare quattro contrassegni.

**Nota**

- Utilizzare una livella per controllare che WM1 sia al livello giusto.

5 Installare WM1 sulla parete utilizzando le viti (non in dotazione) e le rondelle (non in dotazione) appropriate.

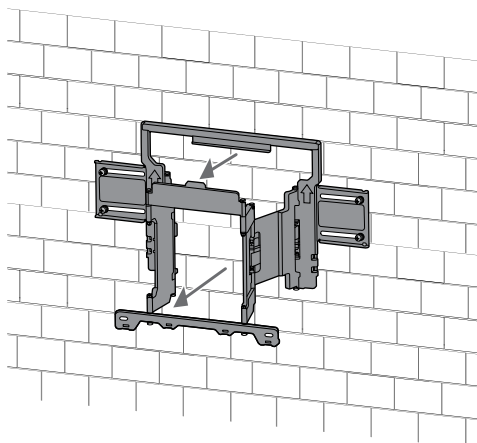
**Nota**

- Utilizzare una livella per verificare che la staffa di montaggio a parete sia al livello giusto.

Precauzioni

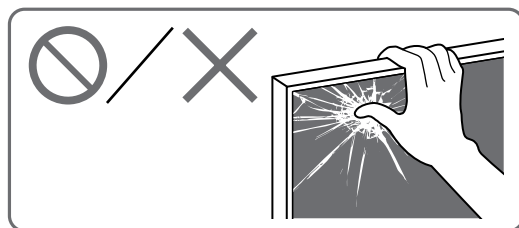
- Non stringere eccessivamente la vite in legno da 8 mm x 60 mm. Un serraggio errato potrebbe ridurre la presa della vite in legno da 8 mm x 60 mm.

6 Estrarre completamente il braccio della staffa.

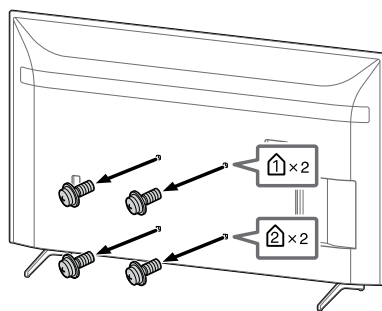


Preparazione per l'installazione del televisore

Verifica di fissare il piedistallo prima di installare la TV a parete, facendo riferimento alla Guida di installazione.



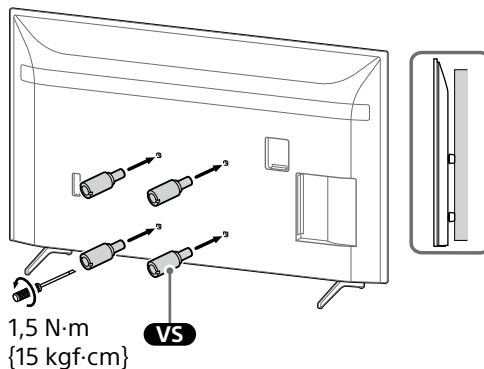
1 Rimuovere le viti dalla parte posteriore del televisore.



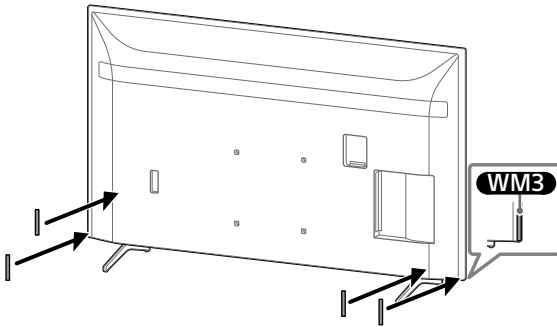
Nota

- Assicurarsi di conservare le viti rimosse e le parti non utilizzate in un luogo sicuro, lontano dalla portata dei bambini.

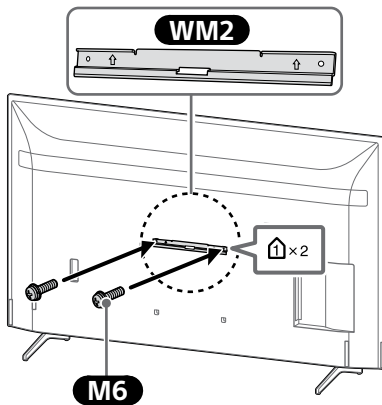
2 Collegare l'accessorio di montaggio a parete (in dotazione con il televisore) al retro del televisore (per renderlo parallelo alla parete).



3 Fissare WM3.

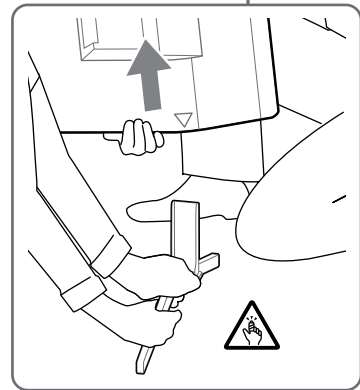
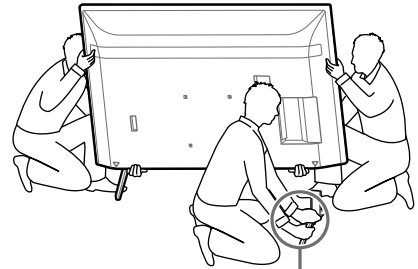


4 Fissare WM2 alla TV usando M6.



5 Rimuovere il supporto da tavolo dal televisore.

- Rimuovere un lato del supporto da tavolo alla volta. Tenere saldamente il supporto da tavolo con entrambe le mani mentre le altre persone sollevano il televisore.

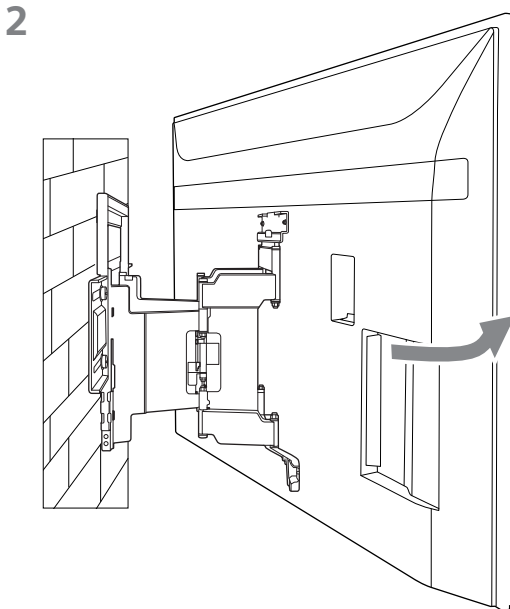
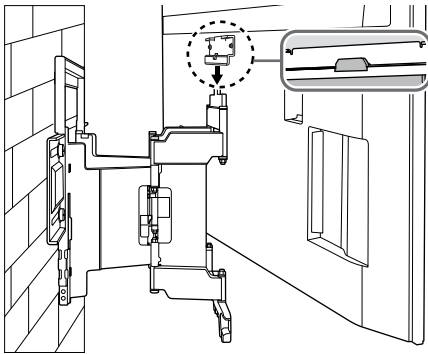
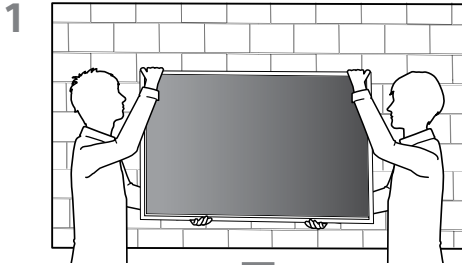


- Ripetere i passaggi precedenti e rimuovere l'altro lato del supporto da tavolo.

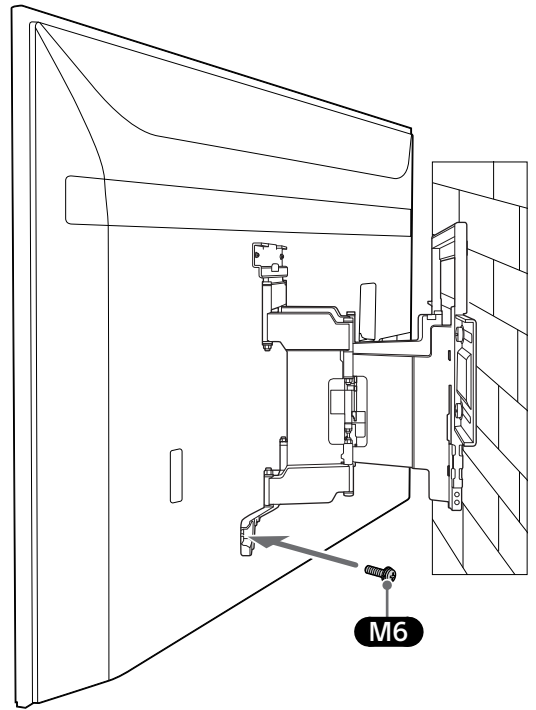
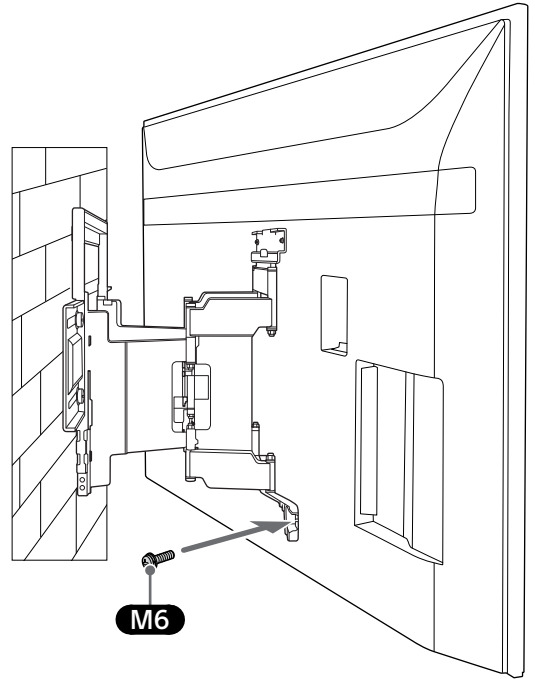
Nota

- Per rimuovere il supporto da tavolo sono necessarie tre o più persone.
- Prestare attenzione a non esercitare eccessiva forza durante la rimozione del supporto da tavolo dal televisore poiché il televisore potrebbe cadere e causare lesioni o danni materiali al televisore.
- Prestare attenzione durante la manipolazione del supporto da tavolo per evitare danni al televisore.
- Fare attenzione quando si solleva il televisore mentre si stacca il supporto da tavolo, questo potrebbe rovesciarsi e causare lesioni personali.
- Fare attenzione quando si rimuove il supporto da tavolo dal televisore per evitare che cada e danneggi la superficie su cui si trova il televisore.

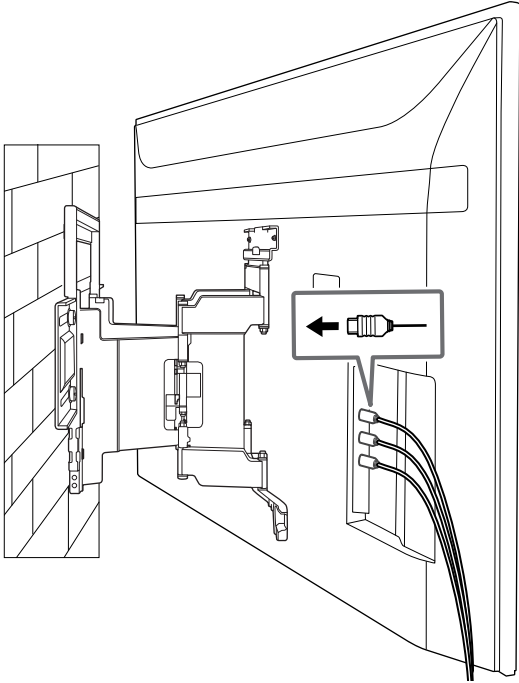
Installazione del televisore a parete



- 3 Avvitare il lato sinistro e destro della staffa di montaggio a parete.

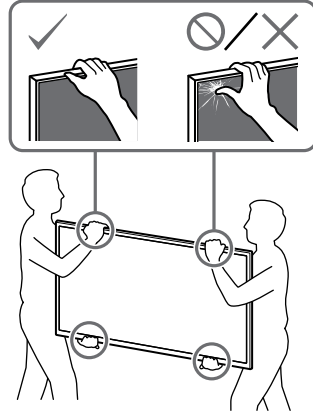


4

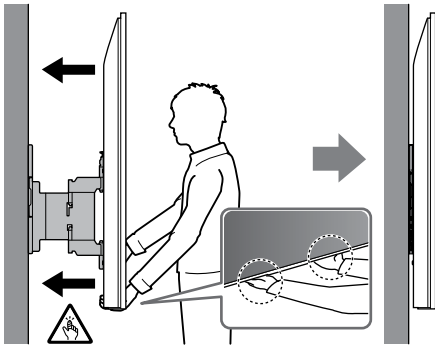


AVVERTENZA

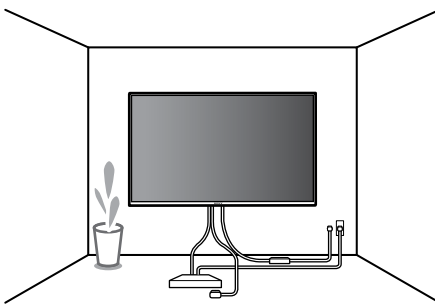
- Assicurarsi che due o più persone (tre o più persone per televisori a 75 pollici e oltre) mantengano il televisore durante il trasporto.



5 Quando si sposta la TV, afferrarla e tenerla saldamente dal fondo.



6



IT

Controllo finale dopo l'installazione

Verificare quanto segue.

- I cavi non sono attorcigliati o incastrati.

AVVERTENZA

- Un posizionamento non corretto del cavo di alimentazione CA ecc. può causare corto circuiti e, di conseguenza, incendi o scosse elettriche. Una volta completata l'installazione, accertarsi di verificarne la sicurezza.

Altre informazioni

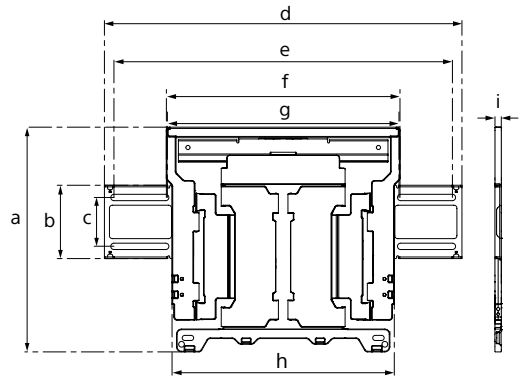
Per rimuovere il televisore, attenersi alla procedura di installazione descritta in precedenza, ma in ordine inverso.

AVVERTENZA

- Assicurarsi che due o più persone (tre o più persone per televisori a 75 pollici e oltre) mantengano il televisore durante la rimozione.

Caratteristiche tecniche

WM1



Dimensioni: (Circa) [mm]

a : 354
b : 116
c : 77
d : 563
e : 533
f : 370
g : 368
h : 350
i : 11

Peso (solo base): (Circa) [kg]

3,0

Design e specifiche tecniche sono soggette a modifiche senza preavviso.

Installationsinformation för användning av Sony Väggfäste (SU-WL850)

Modeller som stöds*:

KD-75XH80xx / 65XH81xx / 65XH80xx / 55XH81xx / 55XH80xx

KE-75XH80xx / 65XH81xx / 65XH80xx / 55XH81xx / 55XH80xx

* I aktuella modellnamn anger "xx" siffror och/eller tecken som är specifika för varje modell.

Till kunder

För att skydda produkten och av säkerhetsskäl rekommenderar Sony starkt att TV:n installeras av Sony-återförsäljare eller licensierade installatörer. Försök inte att installera den själv.

Till Sony-återförsäljare och installatörer

Ägna full uppmärksamhet åt säkerheten under installation, periodiskt underhåll och undersökning av denna produkt.

Tillräcklig expertis krävs för att installera denna produkt, speciellt för att fastställa väggens styrka när det gäller att hålla upp TV:ns vikt. Anlita alltid en Sony-återförsäljare eller en licensierad installatör och ägna vederbörlig uppmärksamhet åt säkerhet under installationen. Sony är inte ansvarsskyldiga för materiella skador eller personskador som orsakats av felaktig hantering eller felaktig installation.

För säkerhet och riktig installation, följ användarinstruktionerna för väggfästet, TV:ns startguide och anvisningarna i denna manual.

Väggfäste

Om säkerhet

Tack för att du valt denna produkt.

Till kunder

Montera TV:n på väggen



WARNING

INSTALLATION MÅSTE UTFÖRAS AV KUNNIGA PERSONER

Denna produkt bör endast installeras av en kunnig installatör som är utbildad i att avgöra om väggen håller för TV:ns vikt. Det kan hända att TV:n faller i golvet och orsakar allvarlig skada om den inte säkras ordentligt under installationen. Sony är inte ansvarigt för eventuella person- eller materialskador som orsakats av felaktig hantering eller felaktig installation, eller av att annat än den specificerade produkten installerats. Dina eventuella lagenliga rättigheter påverkas inte.

För Sony-återförsäljare

Installationen av denna produkt kräver att du har tillräckliga kunskaper. För att du ska kunna göra den här installationen säker måste du ta del av informationen i den här bruksanvisningen. Sony kan inte hållas ansvarigt för eventuella skador eller personsador som orsakats av felaktig användning eller felaktig installation. Vänligen ge den här bruksanvisningen till kunden efter utförd installation.

I den här bruksanvisningen finns instruktioner för hur produkten används samt information om sådant som du bör känna till för att undvika olyckor. Det är ditt ansvar att noggrant läsa igenom, förstå och följa alla anvisningar i denna bruksanvisning. Underlåtenhet att göra det kan resultera i allvarlig personskada eller skada på egendom, och kan upphäva garantin. Behåll den här bruksanvisningen för framtida bruk.

Produkter från Sony är utformade med tanke på säkerhet. Om produkterna emellertid används felaktigt kan det leda till allvarliga personsador till följd av brand, elstötar eller av att produkten välts eller fallit ned. Förebygg sådana olyckor genom att inte åsidosätta säkerheten.

SE UPP

Angivna produkter

Detta väggfäste är tillverkat för att användas tillsammans med passande TV-apparater. Se "Referensmaterial" som medföljde TV:n för att se om detta väggfäste går att använda.

Till kunder

WARNING

Om följande säkerhetsföreskrifter inte följs kan det leda till allvarliga personsador eller dödsfall som följd av brand, elektriska stötar, att produkten välter eller faller ner.

Överlåt installationen till behörig personal och se till att små barn inte befinner sig i närheten när installationen utförs.

Om väggfästet eller TV:n inte installeras på rätt sätt kan följande olyckor ske. Se till att installationen utförs av behörig personal.

- TV:n kan falla ner och orsaka allvarliga skador som skrapår eller benbrott.
- Om väggen där väggfästet monteras inte är stabil, jämn eller lodrät mot golvet, kan enheten lossna och orsaka skador på person och/eller egendom. Väggen skall vara stark nog att klara en vikt på minst sex gånger TV:ns vikt. (Mer information om vikten finns i "Referensmaterial" till TV:n.)
- Om inte installationen av väggfästet sitter stabilt kan enheten lossna och orsaka skador på person och/eller egendom.

Överlåt förflyttning eller nedmontering av TV:n till behörig person.

Om obehöriga personer transporterar eller monterar ner TV:n kan den falla och orsaka allvarliga person- eller egendomsskador. Var noga med att två eller flera personer (tre eller fler personer för 75 tum och över TV-apparater) bär eller de-monterar TV: n.

Ta inte ur några skruvar etc. efter att TV:n monterats.

Det kan leda till att TV:n faller ner och orsakar allvarliga person- eller egendomsskador.

Modifiera inte väggfästets olika delar.

Då kan väggfästet lossna och orsaka skador på person och/eller egendom.

Montera ingen annan utrustning än den specificerade produkten.

Detta väggfäste är tillverkat enbart för användning tillsammans med angiven produkt. Om du använder det för montering av annan utrustning kan det lossna eller gå sönder och orsaka skador på person eller egendom.

Utsätt inte väggfästet för annan belastning än den från TV:n.

Skaka inte TV:n åt vänster/höger, uppåt/nedåt.

Det kan leda till att TV:n faller ner och orsakar allvarliga person- eller egendomsskador.

Luta dig inte mot eller häng på TV:n.

Luta dig inte mot eller häng på TV:n eftersom den kan falla ner på dig och orsaka allvarlig skada.

SE UPP

Om du inte efterföljer följande säkerhetsföreskrifter finns det risk för personsador eller skador på egendom.

- Var försiktig så att du inte klämmer dina fingrar när du hanterar väggfästet eller vrider TV:n.
- Hantera TV-apparaten försiktigt när du vrider på den, så att du inte råkar stöta till någon person i närheten.
- Förvara oanvända delar på en säker plats för framtida användning. Håll borta från barn.

Hantera enheten försiktig när du rengör den eller utför underhåll.

Tyng inte onödigt mycket på TV:ns ovansida. Det kan leda till att TV:n faller ner och orsakar allvarliga person- eller egendomsskador.

Försiktighetsåtgärder

- Om du använder TV:n monterad på väggfästet under en längre tid, finns det risk att väggen bakom eller ovanför TV:n missfärgas eller att tapeten lossnar, beroende på väggmaterialet.
- Om du tar bort väggfästet från väggen efter installationen finns skruvhålen kvar i väggen.
- Använd inte väggfästet på platser som är utsatta för mekanisk vibration.

Installera väggfästet

Till Sony-återförsäljare

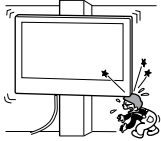
WARNING

Följande instruktioner gäller bara för Sony-återförsäljare. Läs ovanstående säkerhetsföreskrifter noga och släpp aldrig tanken på säkerheten, vare sig under installation, underhåll eller kontroll av den här produkten.

SE

Installera inte väggfästet på en yta där TV:ns hörn eller sidor skjuter ut från väggen.

Installera inte väggfästet på en yta, till exempel en pelare, där TV:ns hörn eller sidor skjuter ut från väggen. Om en person eller ett föremål råkar slå emot TV:ns utskjutande delar kan det leda till allvarlig person- eller egendomsskada.

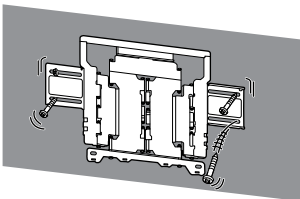


Installera inte TV:n över eller under en luftkonditioneringsanläggning.

Om TV:n utsätts för vattenläckage eller luftströmmar från en luftkonditioneringsanläggning under en längre tid kan det leda till brand, elektriska stötar eller funktionsstörning hos TV:n.

Följ anvisningarna i den här bruksanvisningen nog så att monteringen av väggfästet uppfyller säkerhetskraven.

Om någon av skruvarna sitter löst eller lossnar kan väggfästet lossna och orsaka skador på person eller egendom. Försäkra dig om att du använder skruvar som är lämpliga för väggens material och installera enheten, med fyra skruvar som är 8 mm i diameter (eller motsvarande), på ett säkert sätt.



Följ anvisningarna i den här bruksanvisningen så att de medföljande skruvarna och monteringsdetaljerna blir använda på rätt sätt. Om du använder ersättningsdetaljer kan TV:n falla ner och orsaka personskador eller skador på TV:n.

Se till att fästet monteras ihop korrekt enligt instruktionerna i bruksanvisningen.

Om någon av skruvarna sitter löst eller lossnat helt, kan TV:n lossna och orsaka personskador eller skador på TV:n.

Fäst och dra åt skruvarna på den plats där de är avsedda att sitta.

I annat fall kan TV:n falla ner och orsaka personskador eller skador på TV:n.

Utsätt inte TV:n för stötar vid installationen.

Om TV:n utsätts för stötar kan den falla ner eller gå sönder. Detta kan orsaka personskador.

Installera TV:n på en vägg som är både lodrät och slät.

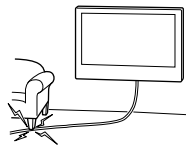
Annars kan TV:n falla ner och orsaka personskador.

När TV:n installerats på rätt sätt fäster du kablarna ordentligt.

Om personer eller föremål trasslar in sig i kablarna kan det orsaka personskador eller skador på TV:n.

Se till att inte nätkabeln eller anslutningskabeln kommer i kläm.

Om nätkabeln eller anslutningskabeln kläms mellan enheten och väggen, eller böjs och vrids med våld, kan de inre ledarna i kablarna friläggas, vilket kan leda till kortslutning eller strömavbrott. Det kan i sin tur leda till brand eller elektrisk stöt.



Skruvarna som behövs för att skruva fast väggfästet på väggen medföljer ej.

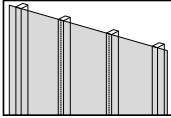
Skruva fast väggfästet med skruvar som är avpassade efter väggmaterialet och väggens struktur.

Innan du börjar

Kontrollera först vilken typ av vägg TV:n ska installeras på.

Vad är din vägg byggd av?

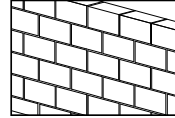
Gipsvägg med träreglar



Försiktighetsåtgärder

- Maximal tjocklek för gipsvägg: 16 mm.
- Säkerställ att storleken av träreglarna är minst 51 x 102 mm för vanlig installation eller 38 x 89 mm för nominell installation.
- Behåll 406 mm horisontellt utrymme mellan fästena.

Massiv betong eller betongblock



Försiktighetsåtgärder

- Montera väggfästet direkt på den massiva betongväggen.
- Säkerställ att betongväggen är minst 203 mm tjock.
- Säkerställ att storleken av varje betongblock är minst 203 x 203 x 406 mm.

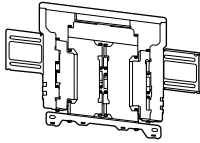

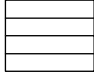

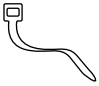
Förbereda installationen

- Ha TV:ns referensguide och startguide till hands före installation.
- Kontrollera din TV:s monteringsplats.
- Förbered fyra skruvar med 8 mm diameter och fyra brickor (medföljer ej).
Välj skruvar som är lämpliga för väggmaterialet.

Kontrollera delarna

Medföljer SU-WL850

- Kontrollera så att alla delar medföljer.



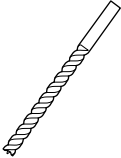
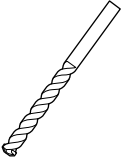
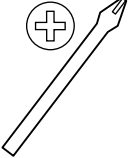




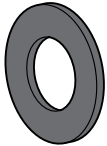

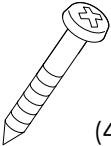
A WM1 (1) 	B WM2 (1) 
C WM3 (4) 	D M6 (4) 
E WT1 (6) 	

Medföljer TV:n

VS Väggfästanordning (4) 
--



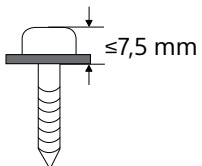
Verktyg som krävs

*1 	  5,5 mm  10 mm 		
*2    1,5 N·m {15 kgf·cm} 			
*3  (4)	*2  (4)	*3  (4) 8 mm x 60 mm	

*1 Endast för gipsvägg med träreglar

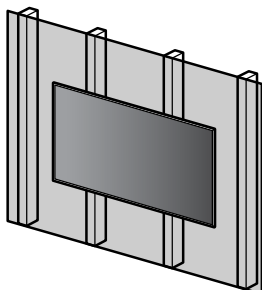
*2 Endast för betongvägg eller betongblock

*3 Var noggrann när du väljer skruvar och brickor

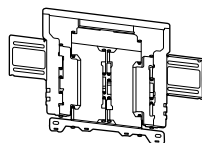


A Montera din TV på gipsvägg med träreglar

Gipsvägg med träreglar



WM1

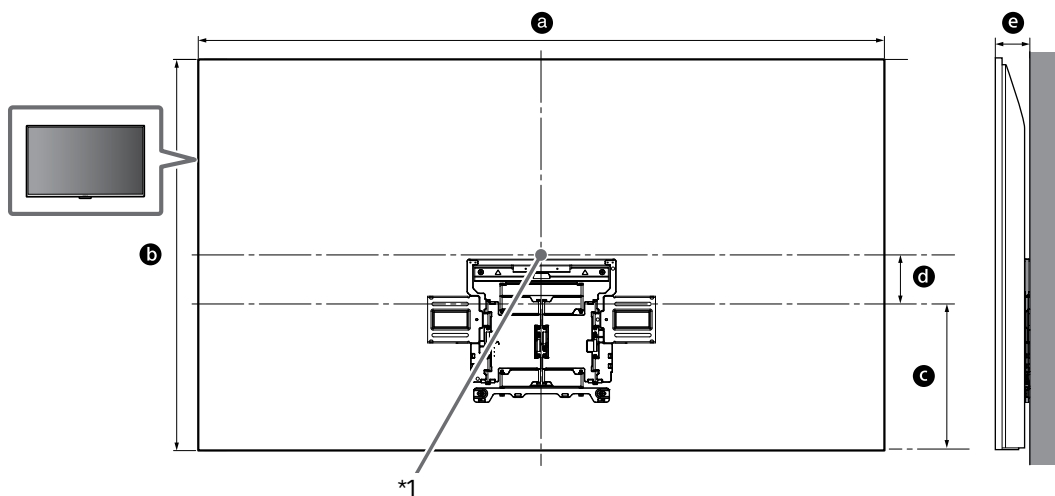


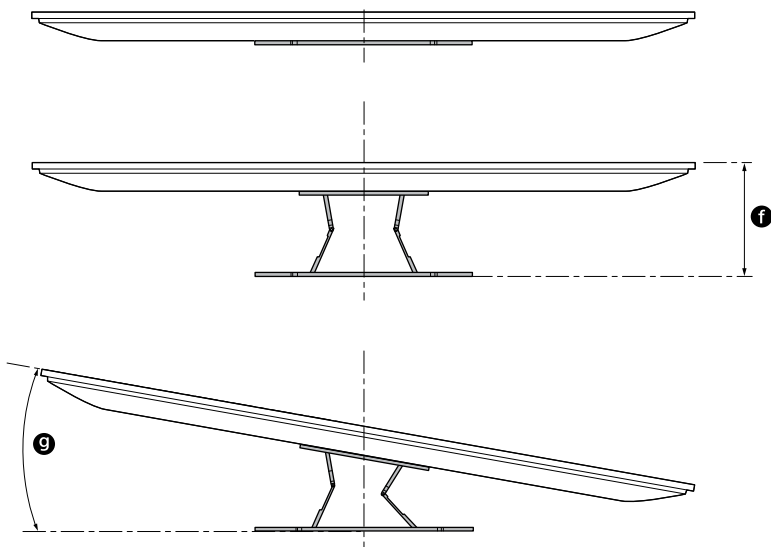
Montera väggfästet på väggen

1 Välj installationsplats.

Kontrollera att väggen är stor nog för TV:n och att den är stark nog för en vikt som är fyra gånger TV:ns vikt.

Se följande tabell beträffande att installera TV:n på väggen. Se TV:ns referensguide avseende TV:ns vikt.





(mm)

Modellnamn	a	b	c	d	e	f*2	g*2 (°)
KD-75XH80xx	1 686	969	364	123	86	288	15
KE-75XH80xx							
KD-65XH81xx	1 462	841	365	59	83	287	18
KE-65XH81xx							
KD-65XH80xx							
KE-65XH80xx							
KD-55XH81xx	1 243	718	365	3	83	287	20
KE-55XH81xx							
KD-55XH80xx							
KE-55XH80xx							

Måttabell för TV-installation (mm)

Värdena i tabellen kan variera något beroende på installationen.

*1 (Skärmens mittpunkt)

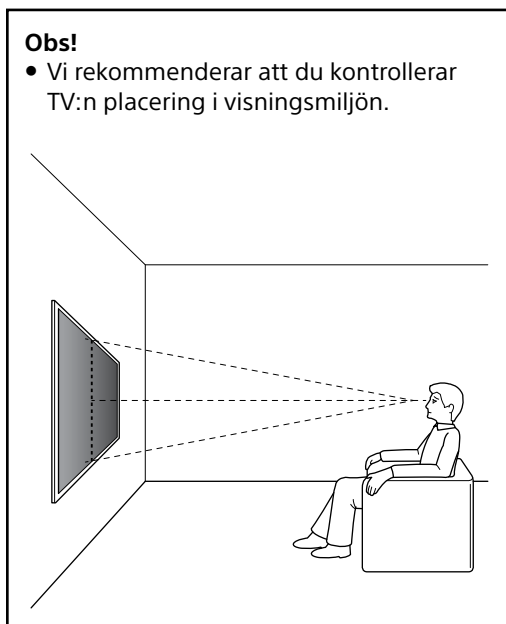
*2 (Cirka)

Anmärkning

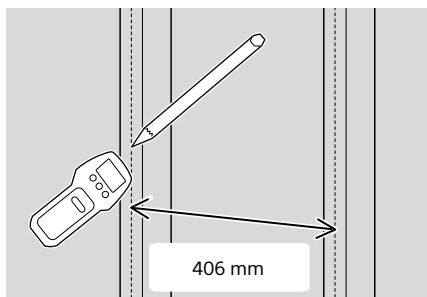
- När TV:n monteras på väggen lutar TV:ns övre sida något framåt.

Obs!

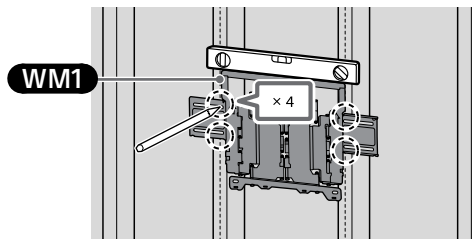
- Vi rekommenderar att du kontrollerar TV:n placering i visningsmiljön.



2

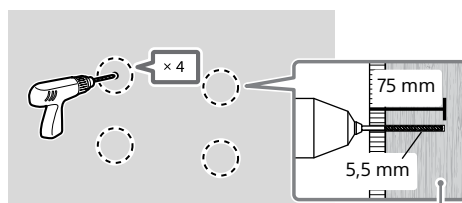


- 3 Rikta in **WM1** mot väggen och gör fyra markeringar som är inriktade längs träreglarna.

**Obs!**

- Använd ett vattenpass för att kontrollera så att **WM1** är i nivå.

- 4 Borra övre pilothål på markeringarna.

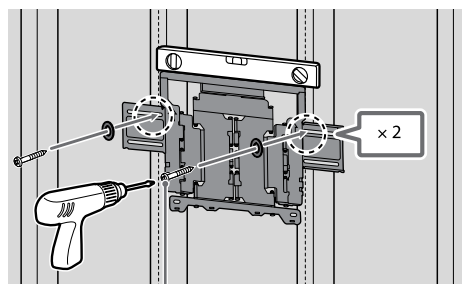


Träreglar eller förstärkning

Obs!

- Pilothål måste borraras till ett djup av 75 mm med en borrarps som är 5,5 mm i diameter.

- 5 Installera **WM1** på väggen med lämpliga skruvar (medföljer ej) och brickor (medföljer ej).



8 mm x 60 mm

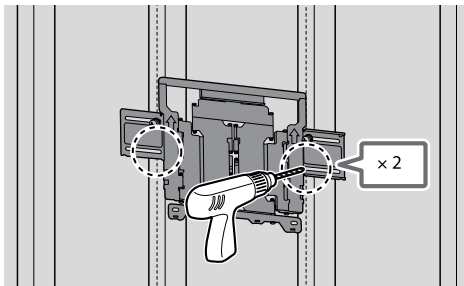
Obs!

- Använd ett vattenpass för att kontrollera så att **WM1** är i nivå.

Försiktighetsåtgärd

- Dra inte åt träskruv 8 mm x 60 mm för hårt. Felaktig åtdragning kan minska hålleffekten för träskruv 8 mm x 60 mm.

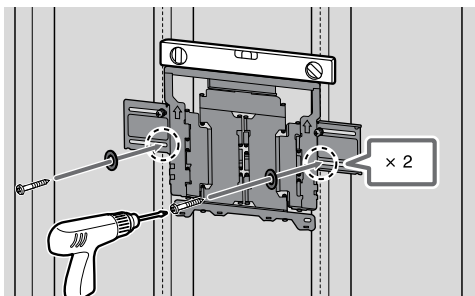
- 6 Borra nedre pilothål på markeringarna. (Se steg 4 för instruktioner om borring.)



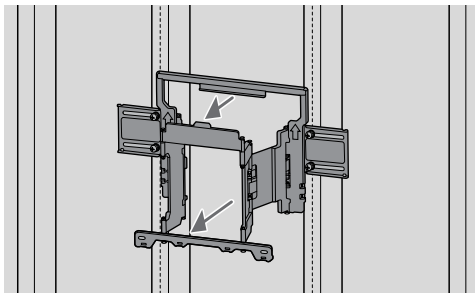
- 7 Montera lämpliga skruvar och brickor i hålen.

Obs!

- Använd ett vattenpass för att kontrollera så att väggfästet är i nivå.

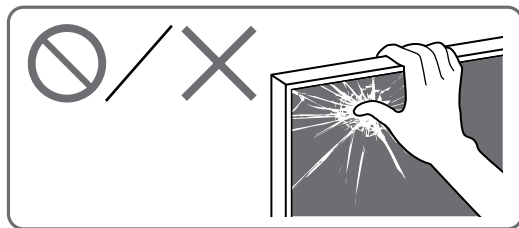


- 8 Dra ut fästets arm hela vägen.

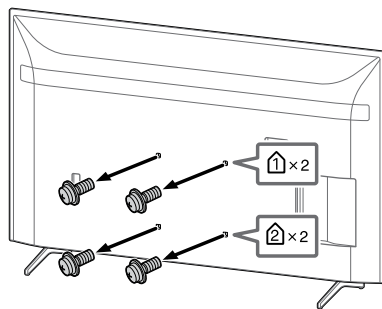


Förbered installationen av TV:n

Var noga med att fästa bordsstativ innan TV installeras på väggen enligt instruktionerna i Startguide.



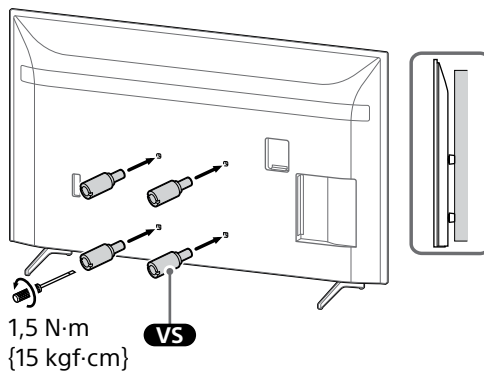
- 1 Ta bort skruvarna från TV:ns baksida.



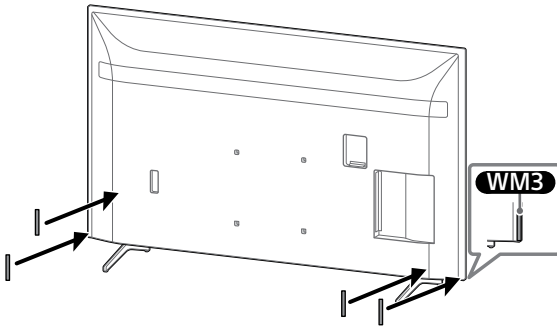
Obs!

- Var noga med att förvara de borttagna skruvarna och oanvända delarna på en säker plats och håll dem borta från barn.

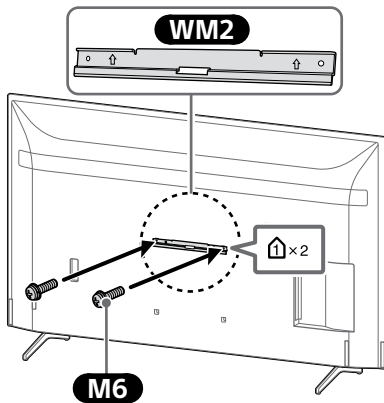
- 2 Fäst väggfästans ordning (medföljer TV:n) mot TV:ns baksida (för att få den parallell med väggen).



3 Sätt fast WM3.

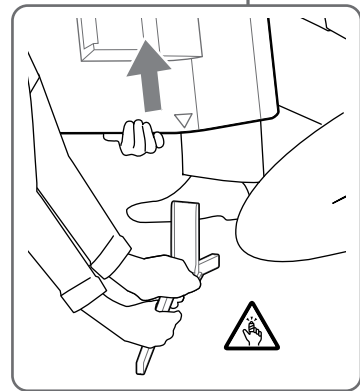
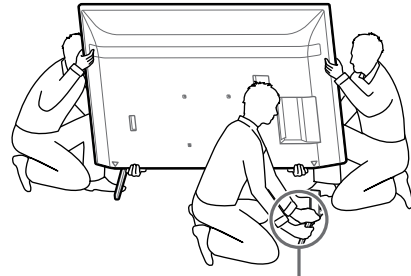


4 Fäst WM2 vid TV:n med M6.



5 Ta loss bordsstativet från TV:n.

- Avlägsna en sida av bordsstativet åt gången. Håll ett fast och säkert tag om bordsstativet med båda händerna medan de andra personerna lyfter upp TV:n.

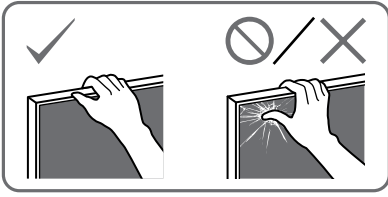


- Upprepa föregående steg och avlägsna den andra sidan av bordsstativet.

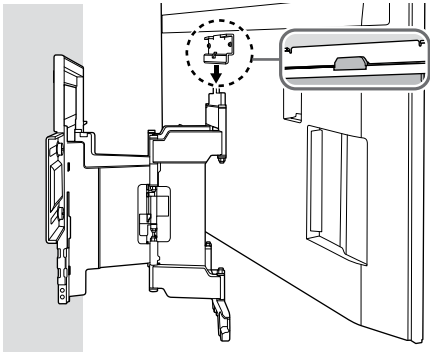
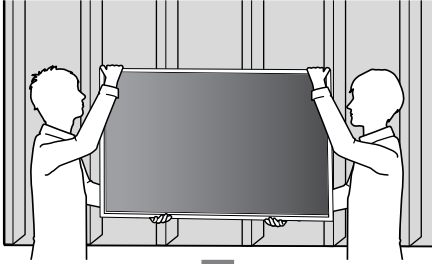
Obs!

- Tre eller fler personer krävs för att ta loss bordsstativet.
- Var försiktig så att ni inte tar i med för hård kraft medan ni tar loss bordsstativet från TV:n eftersom det kan orsaka att TV:n faller och resultera i personskada eller fysisk skada på TV:n.
- Var försiktiga vid hantering av bordsstativet för att undvika skada på TV:n.
- Var försiktig när du lyfter TV:n när bordsstativet lossats, eftersom bordsstativet kan välta och orsaka personskador.
- Var försiktig när du tar bort bordsstativ från TV:n för att hindra den från att ramla och skada ytan som TV:n sitter på.

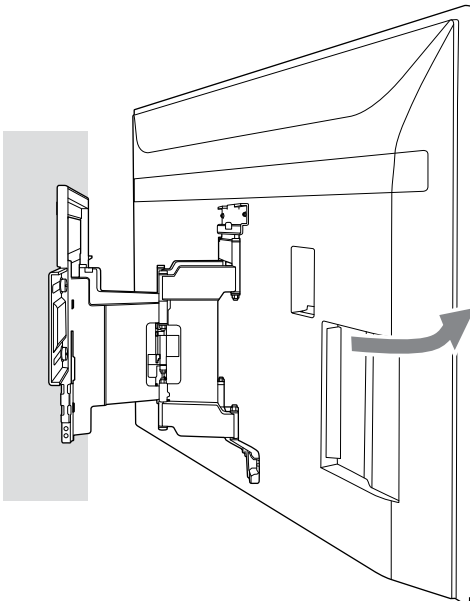
Montera TV:n på väggen



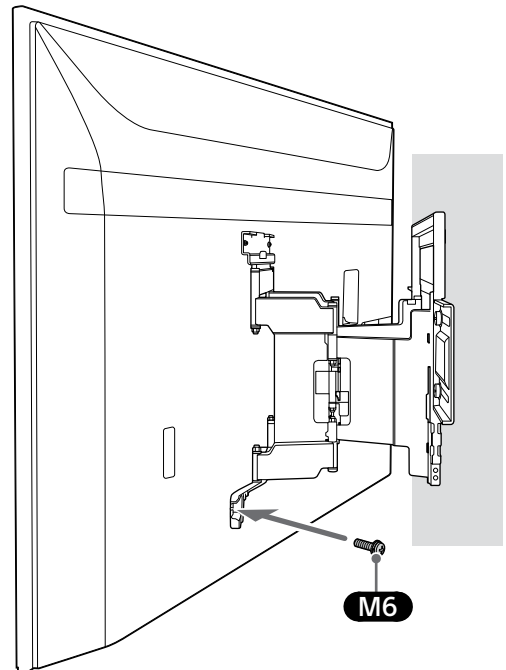
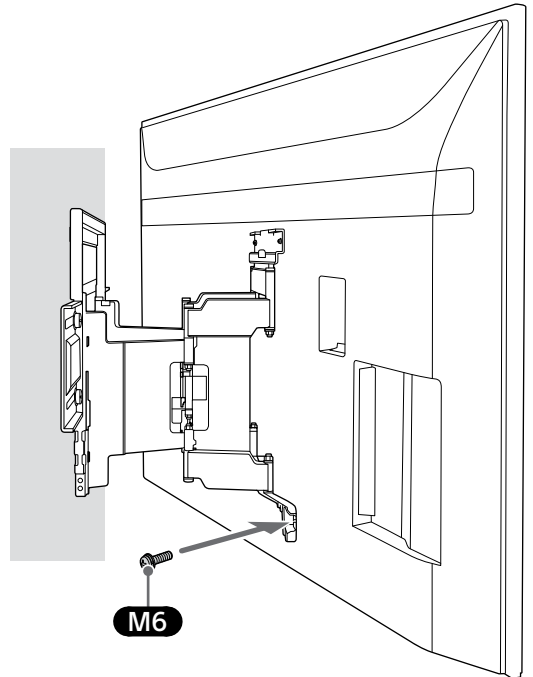
1



2

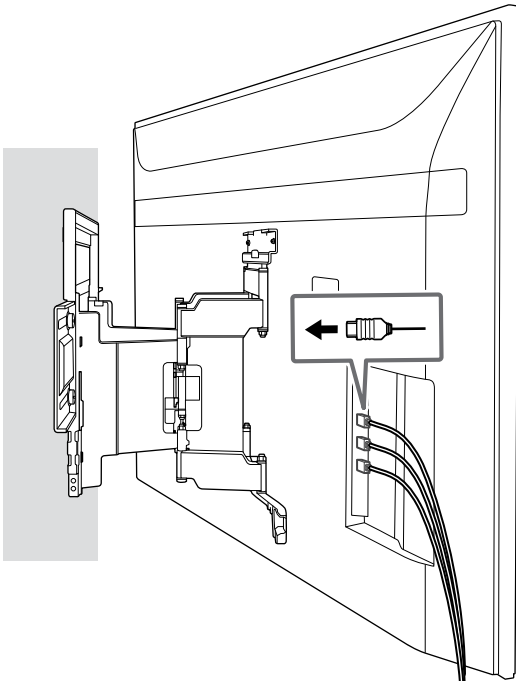


3 Skruva fast den vänstra och högra sidan av väggfästet.

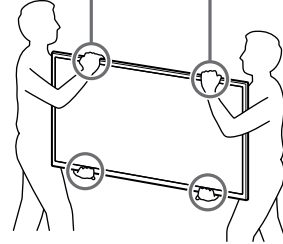


SE

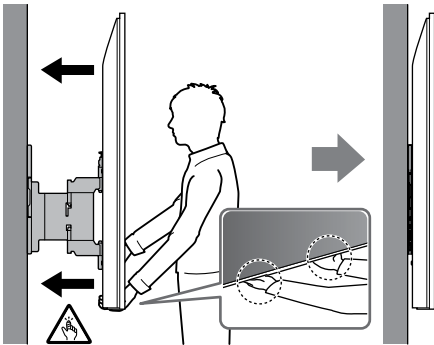
4

**VARNING**

- Var noga med att två eller flera personer (tre eller fler personer för 75 tum och över TV-apparater) håller TV:n när den bärs.



5 Håll ett ordentligt grepp i TV:ns underkant när den ska flyttas.



Kontrollera att installationen har slutförts

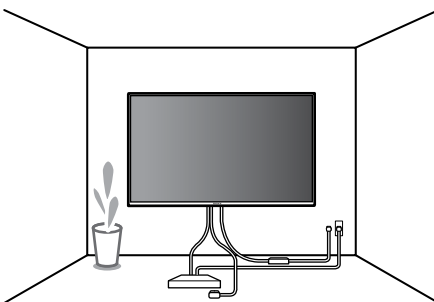
Kontrollera följande punkter.

- Sladden och kabeln inte har vridits eller kommit i kläm.

VARNING

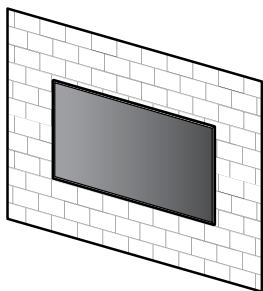
- Felaktig placering av nätkabeln etc. leda till brand eller elektriska stötar till följd av en kortslutning. Av säkerhetsskäl är det viktigt att du kontrollerar att installationen har slutförts.

6

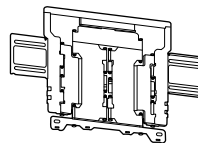


B Montera väggfästet på massiv betong eller betongblock

Massiv betong eller betongblock



WM1

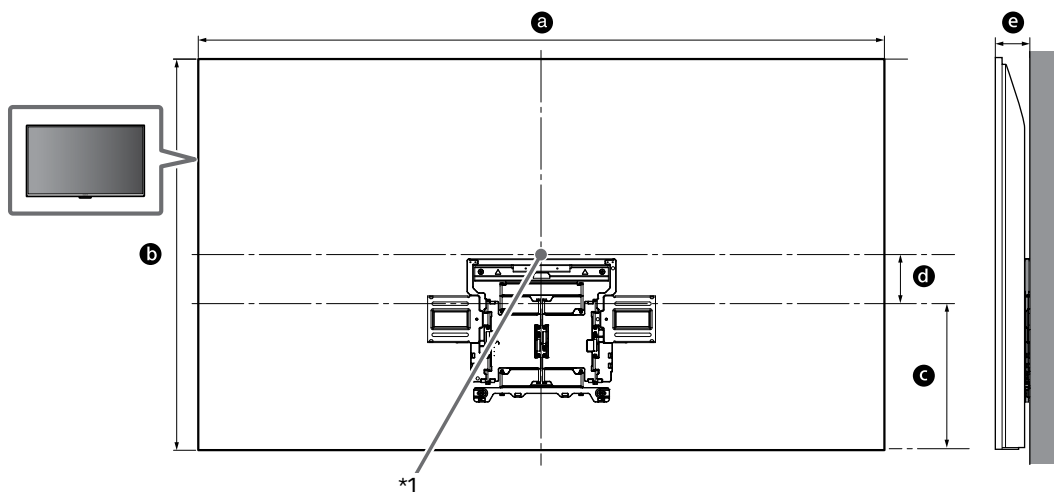


Montera väggfästet på vägg

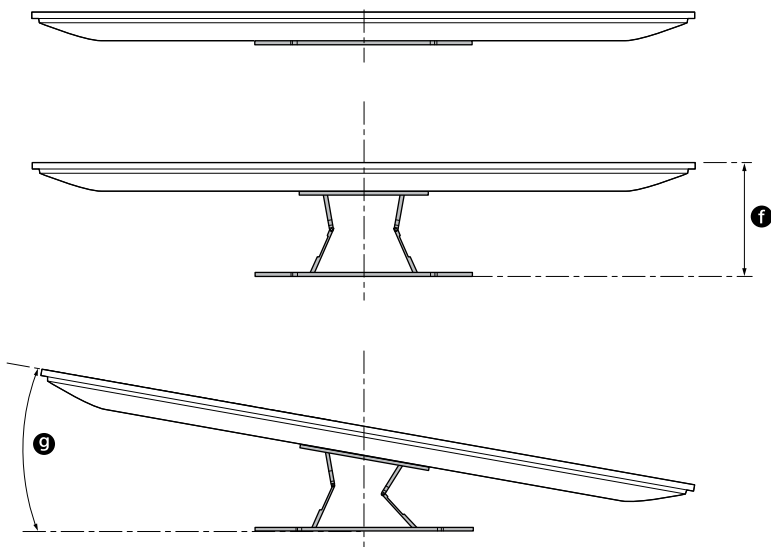
1 Välj installationsplats.

Kontrollera att väggen är stor nog för TV:n och att den är stark nog för en vikt som är fyra gånger TV:ns vikt.

Se följande tabell beträffande att installera TV:n på väggen. Se TV:ns referensguide avseende TV:ns vikt.



SE



(mm)

Modellnamn	a	b	c	d	e	f*2	g*2 (°)
KD-75XH80xx	1 686	969	364	123	86	288	15
KE-75XH80xx							
KD-65XH81xx	1 462	841	365	59	83	287	18
KE-65XH81xx							
KD-65XH80xx							
KE-65XH80xx							
KD-55XH81xx	1 243	718	365	3	83	287	20
KE-55XH81xx							
KD-55XH80xx							
KE-55XH80xx							

Måttabell för TV-installation (mm)

Värdena i tabellen kan variera något beroende på installationen.

*1 (Skärmens mittpunkt)

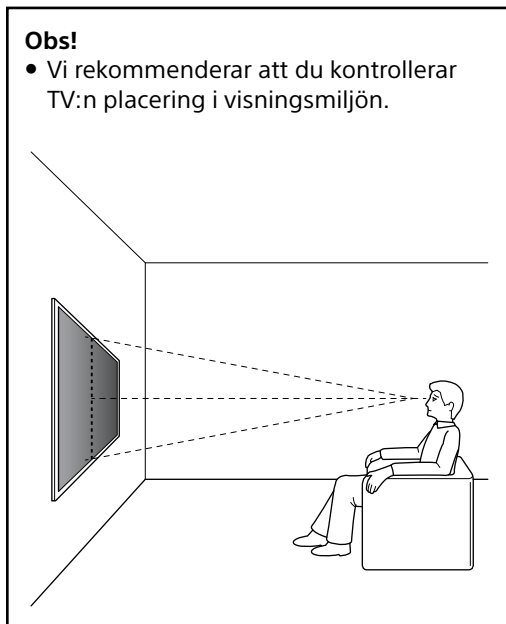
*2 (Cirka)

Obs!

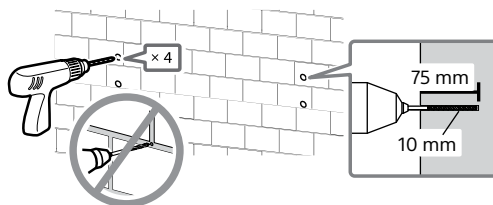
- När TV:n monteras på väggen lutar TV:ns övre sida något framåt.

Obs!

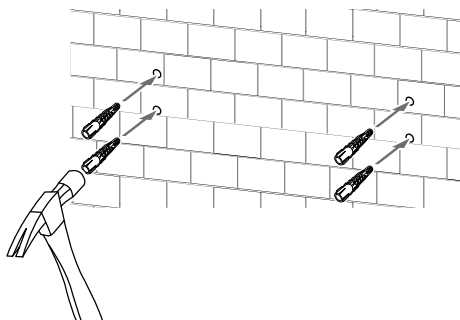
- Vi rekommenderar att du kontrollerar TV:n placering i visningsmiljön.



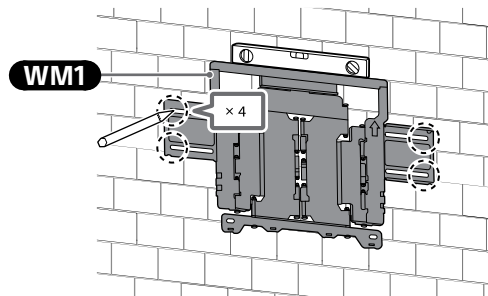
3 Borra ledhål i de markeringar du gjort.



4

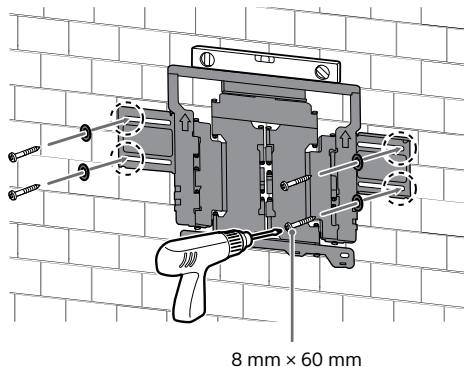


2 Rikta in WM1 mot väggen och gör fyra markeringar.

**Obs!**

- Använd ett vattenpass för att kontrollera så att WM1 är i nivå.

5 Installera WM1 på väggen med lämpliga skruvar (medföljer ej) och brickor (medföljer ej).

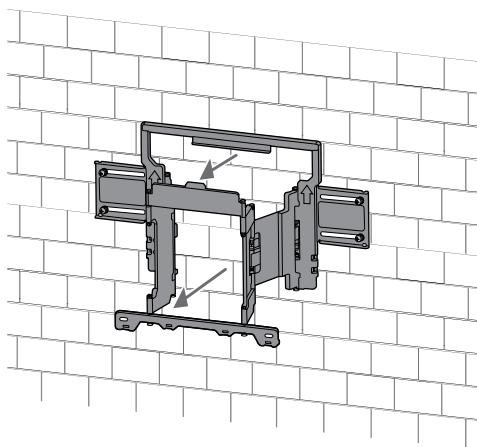
**Obs!**

- Använd ett vattenpass för att kontrollera så att väggfästet är i nivå.

Försiktighetsåtgärd

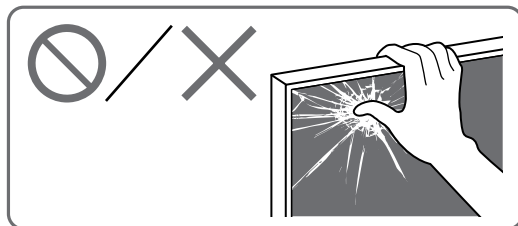
- Dra inte åt träskruv 8 mm x 60 mm för hårt. Felaktig åtdragning kan minska hålleffekten för träskruv 8 mm x 60 mm.

6 Dra ut fästets arm hela vägen.

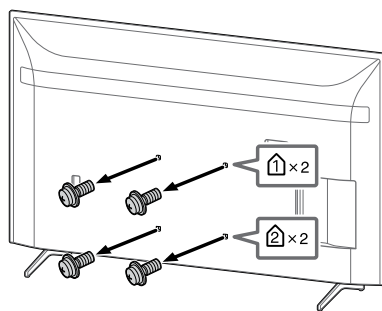


Förbered installationen av TV:n

Var noga med att fästa bordsstativ innan TV installeras på väggen enligt instruktionerna i Startguide.



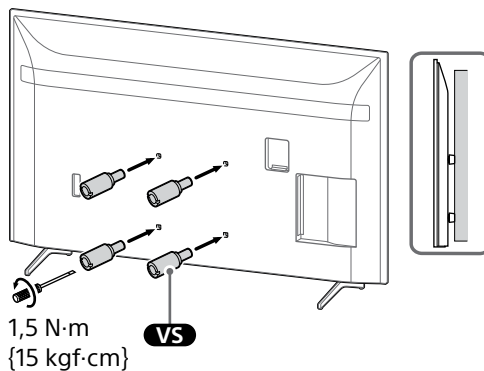
1 Ta bort skruvarna från TV:ns baksida.



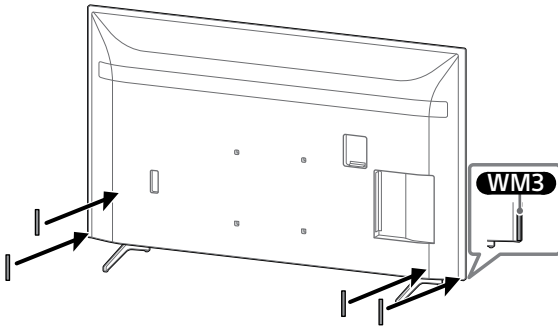
Obs!

- Var noga med att förvara de borttagna skruvarna och oanvända delarna på en säker plats och håll dem borta från barn.

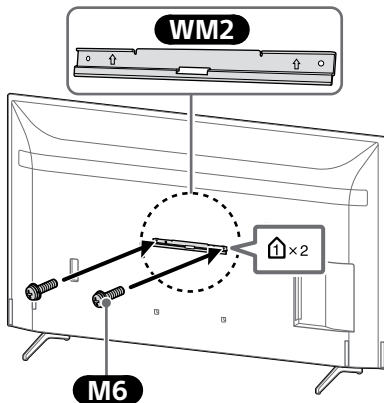
2 Fäst väggfästans ordning (medföljer TV:n) mot TV:ns baksida (för att få den parallell med väggen).



3 Sätt fast WM3.

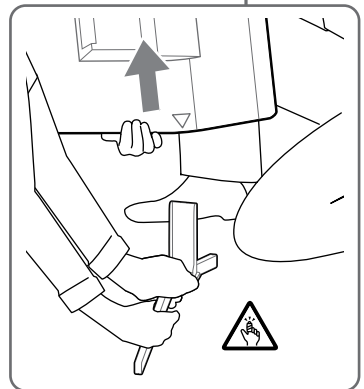
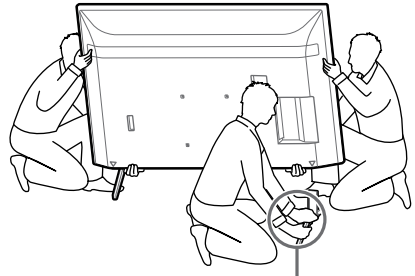


4 Fäst WM2 vid TV:n med M6.



5 Ta loss bordsstativet från TV:n.

- Avlägsna en sida av bordsstativet åt gången. Håll ett fast och säkert tag om bordsstativet med båda händerna medan de andra personerna lyfter upp TV:n.



- Upprepa föregående steg och avlägsna den andra sidan av bordsstativet.

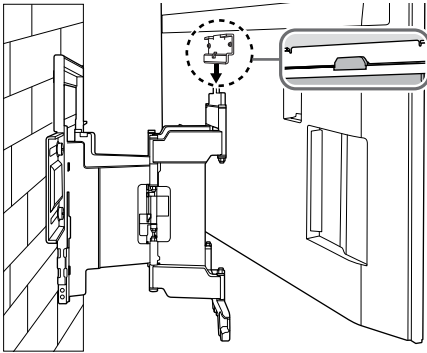
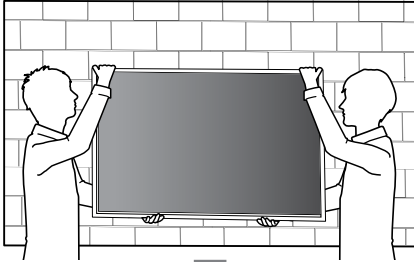
Obs!

- Tre eller fler personer krävs för att ta loss bordsstativet.
- Var försiktig så att ni inte tar i med för hård kraft medan ni tar loss bordsstativet från TV:n eftersom det kan orsaka att TV:n faller och resultera i personskada eller fysisk skada på TV:n.
- Var försiktiga vid hantering av bordsstativet för att undvika skada på TV:n.
- Var försiktig när du lyfter TV:n när bordsstativet lossats, eftersom bordsstativet kan välta och orsaka personskador.
- Var försiktig när du tar bort bordsstativ från TV:n för att hindra den från att ramla och skada ytan som TV:n sitter på.

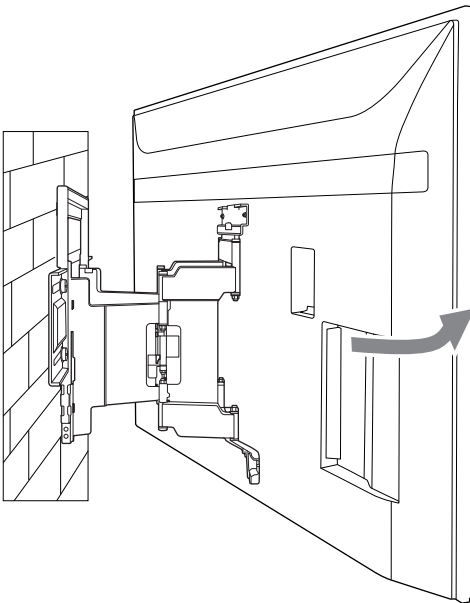
Montera TV:n på väggen



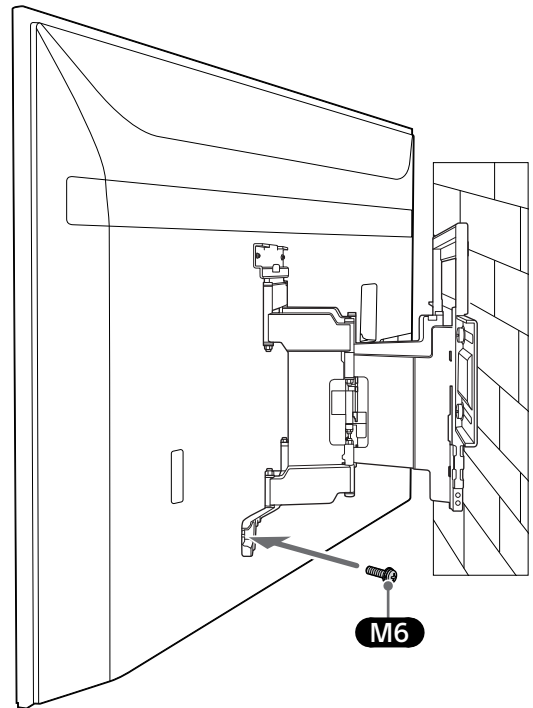
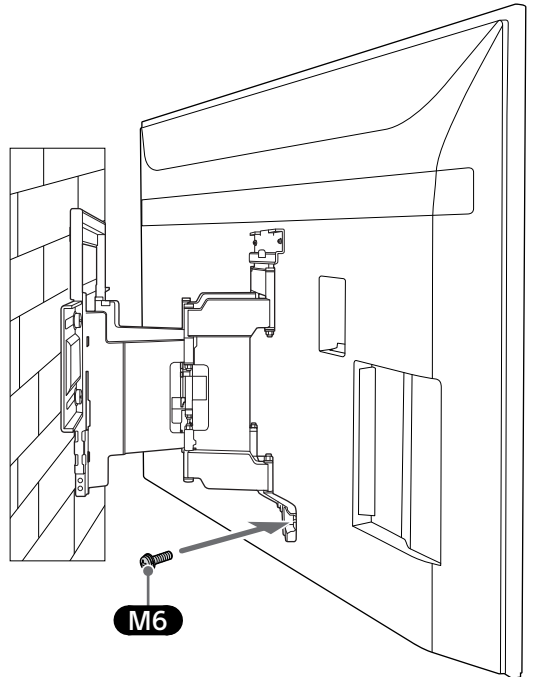
1



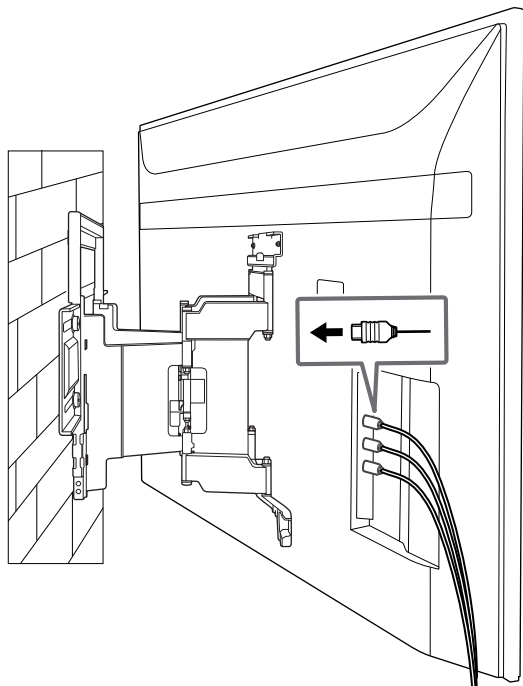
2



3 Skruva fast den vänstra och högra sidan av väggfästet.

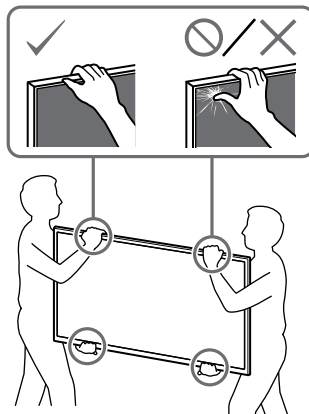


4

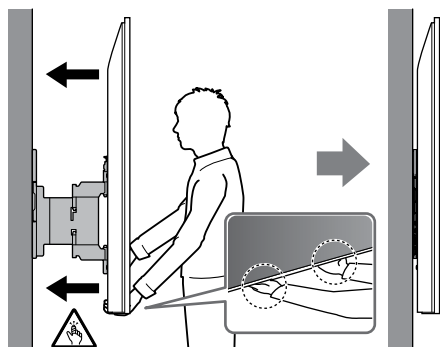


VARNING

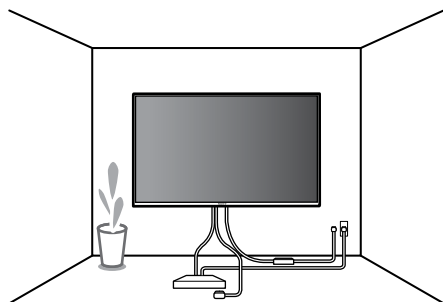
- Var noga med att två eller flera personer (tre eller fler personer för 75 tum och över TV-apparater) håller TV:n när den bärs.



5 Håll ett ordentligt grepp i TV:ns underkant när den ska flyttas.



6



SE

Kontrollera att installationen har slutförts

Kontrollera följande punkter.

- Sladden och kabeln inte har vridits eller kommit i kläm.

VARNING

- Felaktig placering av nätkabeln etc. leda till brand eller elektriska stötar till följd av en kortslutning. Av säkerhetsskäl är det viktigt att du kontrollerar att installationen har slutförts.

Övrig information

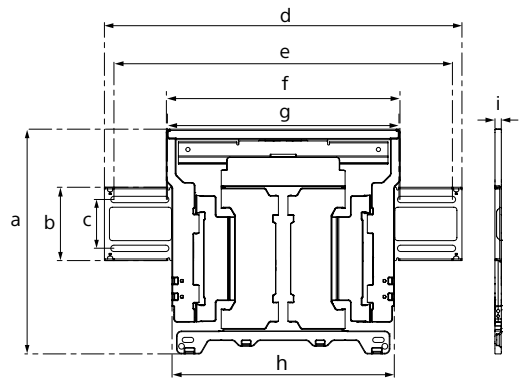
Ta bort TV:n genom att utföra installationsförfarandet i omvänd ordning.

VARNING

- Var noga med att två eller flera personer (tre eller fler personer för 75 tum och över TV-apparater) håller TV:n när den tas bort.

Specifikationer

WM1



Mått: (cirka.) [mm]

- a : 354
- b : 116
- c : 77
- d : 563
- e : 533
- f : 370
- g : 368
- h : 350
- i : 11

Vikt (endast bas): (cirka.) [kg]

3,0

Design och specifikationer kan ändras utan föregående meddelande.

Informacje dotyczące instalacji w celu korzystania z uchwytu ściennego firmy Sony (SU-WL850)

Obsługiwane modele*:

KD-75XH80xx / 65XH81xx / 65XH80xx / 55XH81xx / 55XH80xx

KE-75XH80xx / 65XH81xx / 65XH80xx / 55XH81xx / 55XH80xx

* Symbol „xx” w rzeczywistych nazwach modeli wskazuje cyfry i/lub znaki specyficzne dla danego modelu.

Do Klientów

W celu zapewnienia ochrony produktu i bezpieczeństwa firma Sony zdecydowanie zaleca przeprowadzenie montażu telewizora przez dystrybutorów Sony lub licencjonowanych wykonawców. Nie należy podejmować samodzielnych prób montażu.

Do dystrybutorów Sony i wykonawców

Podczas montażu, okresowej konserwacji i sprawdzania tego produktu należy przestrzegać wszystkich zasad bezpieczeństwa.

Do zamontowania tego produktu konieczne jest posiadanie odpowiedniego doświadczenia, co dotyczy szczególnie sprawdzania nośności ściany w celu podtrzymania ciężaru telewizora. Montaż tego produktu do ściany należy powierzyć dystrybutorom Sony lub licencjonowanym wykonawcom, zwracając odpowiednią uwagę na kwestie bezpieczeństwa podczas montażu. Firma Sony nie ponosi odpowiedzialności za żadne szkody lub obrażenia wynikające z nieprawidłowego postępowania lub nieprawidłowego montażu.

W celu zapewnienia bezpiecznego i prawidłowego montażu należy stosować się do zaleceń przedstawionych w Instrukcji obsługi uchwytu ściennego, Przewodniku ustawień telewizora oraz do wskazówek podanych w niniejszej instrukcji.

Uchwyt ścienny

Informacje dotyczące bezpieczeństwa

Dziękujemy za zakup tego produktu.

Do Klientów

Montaż telewizora na ścianie



OSTRZEŻENIE

WYMAGANY FACHOWY MONTAŻ

Montaż produktu powinien wykonać tylko profesjonalny instalator, mający odpowiednie kwalifikacje, aby określić, czy ściana utrzyma masę telewizora. Jeśli telewizor nie zostanie odpowiednio zabezpieczony podczas montażu, może spaść i spowodować poważne obrażenia ciała. Firma Sony nie ponosi odpowiedzialności za jakiegokolwiek szkody lub obrażenia ciała wynikające z nieprawidłowej obsługi lub montażu bądź instalacji innych urządzeń niż określony produkt. To zastrzeżenie nie ogranicza praw ustawowych klientów (jeśli takie przysługują).

Do dystrybutorów Sony

Do zamontowania tego produktu konieczne jest posiadanie odpowiedniego doświadczenia. Należy dokładnie przeczytać tę instrukcję, aby zapewnić bezpieczny przebieg prac montażowych. Firma Sony nie ponosi odpowiedzialności za żadne szkody lub obrażenia wynikające z nieprawidłowego postępowania lub nieprawidłowego montażu. Po zakończeniu montażu należy przekazać tę instrukcję klientowi.

W tej instrukcji przedstawiono prawidłową obsługę produktu oraz ważne środki ostrożności, mające na celu zapobieżenie wypadkom. Użytkownik ma obowiązek uważnie, ze zrozumieniem przeczytać wszystkie wskazówki w niniejszej instrukcji i postępować zgodnie z ich treścią. W przeciwnym razie może dojść do poważnych obrażeń ciała lub zniszczenia mienia, a także do unieważnienia gwarancji. Należy zachować tę instrukcję w celu wykorzystania w przyszłości.

Produkty firmy Sony są projektowane z myślą o zapewnieniu bezpieczeństwa. Nieprawidłowe korzystanie z produktów może jednak spowodować poważne obrażenia na skutek pożaru, porażenia prądem elektrycznym, przewrócenia się produktu lub jego upadku. Należy przestrzegać środków ostrożności, aby uniknąć tego typu wypadków.

Nadzór nad dystrybucją na terytorium RP :
Sony Europe B.V.
Da Vincilaan 7-D1, 1930 Zaventem, Belgia

UWAGA

Określone produkty

Ten uchwyt ścienny został zaprojektowany z myślą o użyciu z określonymi modelami telewizorów. W przypadku innych telewizorów należy sprawdzić w ich „Przewodnik”, czy uchwyt ścienny może zostać użyty.

Do Klientów

OSTRZEŻENIE

Nieprzestrzeganie poniższych środków ostrożności może spowodować poważne obrażenia lub śmierć na skutek pożaru, porażenia prądem elektrycznym lub upadku produktu.

Należy zlecać montaż licencjonowanym wykonawcom i zapewnić, aby podczas montażu nie znajdowały się w pobliżu małe dzieci.

Jeśli uchwyt ścienny lub telewizor nie zostaną zamontowane prawidłowo, może to skutkować następującymi wypadkami.

- Należy zlecać montaż licencjonowanym wykonawcom.
- Telewizor może spaść, powodując poważne obrażenia, takie jak stłuczenia czy złamania.
 - Jeśli ściana, na której montowany jest telewizor, jest niestabilna, nierówna albo nieprostopadła do podłogi, telewizor może spaść, powodując obrażenia lub uszkodzenia mienia. Ściana powinna być w stanie utrzymać masę co najmniej sześciokrotnie większą od masy telewizora. (Masa telewizora została podana w „Przewodnik”).
 - Jeśli montaż uchwyty ściennego do ściany nie zostanie wykonany odpowiednio mocno, telewizor może spaść, powodując obrażenia lub uszkodzenia mienia.

Należy zlecać przemieszczanie i demontaż telewizora licencjonowanym wykonawcom.

Jeśli przemieszczaniem lub demontażem telewizora będą zajmować się osoby inne niż licencjonowani wykonawcy, telewizor może spaść, powodując obrażenia lub uszkodzenia mienia. Do przenoszenia lub demontażu telewizora potrzebne są co najmniej dwie osoby (co najmniej trzy dla ekranów powyżej 75 cali).

Po zamontowaniu telewizora nie wykręcać śrub itp.

Na skutek takiego działania telewizor może spaść, powodując obrażenia lub uszkodzenia mienia.

Nie modyfikować elementów uchwyty ściennego.

Na skutek takiego działania uchwyt ścienny może spaść, powodując obrażenia lub uszkodzenia mienia.

Nie montować innych urządzeń niż określony produkt.

Ten uchwyt ścienny jest przewidziany do użytku wyłącznie z określonymi produktami. W przypadku zamontowania urządzenia innego niż określone, może ono spaść, powodując obrażenia lub uszkodzenia mienia.

Nie obciążać uchwyty ściennego obciążeniem innym niż telewizor. Nie potrząsaj telewizorem na boki ani w górę/w dół.

Na skutek takiego działania telewizor może spaść, powodując obrażenia lub uszkodzenia mienia.

Nie wieszać się ani nie opierać na telewizorze.

Nie wieszać się ani nie opierać na telewizorze, gdyż na skutek takiego działania telewizor może spaść, powodując poważne obrażenia.

UWAGA

Nieprzestrzeganie poniższych środków ostrożności może spowodować obrażenia lub uszkodzenia mienia.

- Uważać, aby nie przyciąć sobie palców, trzymając uchwyt ścienny lub obracając telewizor.
- Obracając telewizor, zachowaj ostrożność i uważaj na osoby w twoim otoczeniu.
- Niewykorzystane części należy przechować w bezpiecznym miejscu do późniejszego wykorzystania. Należy je przechować w miejscu niedostępnym dla dzieci.

Podczas czyszczenia i konserwacji nie wywierać zbyt mocnego nacisku na produkt.

Nie naciskać zbyt mocno telewizora od góry. Na skutek takiego działania telewizor może spaść, powodując obrażenia lub uszkodzenia mienia.

Środki ostrożności

- W przypadku długotrwałego użytkowania telewizora zamontowanego na uchwycie ściennym ściana za lub ponad telewizorem może ulec odbarwieniu albo tapeta może się odkleić, w zależności od rodzaju materiału, jakim pokryta jest ściana.
- Po zdemontowaniu zamontowanego wcześniej do ściany uchwytu ściennego otwory w ścianie pozostają.
- Nie używać uchwytu ściennego w miejscach narażonych na drgania mechaniczne.

Montaż uchwytu ściennego

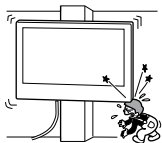
Do dystrybutorów Sony

OSTRZEŻENIE

Poniższe instrukcje są przeznaczone wyłącznie dla dystrybutorów Sony. Należy przeczytać powyższe środki ostrożności, zwracając szczególną uwagę na bezpieczeństwo podczas montażu, konserwacji i sprawdzania tego produktu.

Nie montować uchwytu ściennego na powierzchniach, w przypadku których narożniki lub boki telewizora mogłyby wystawać poza powierzchnię.

Nie montować uchwytu ściennego na powierzchniach takich jak filary, w przypadku których narożniki lub boki telewizora mogłyby wystawać poza powierzchnię. W razie uderzenia narożnika lub boku telewizora przez osobę lub obiekt mogłoby to spowodować obrażenia lub uszkodzenia mienia.

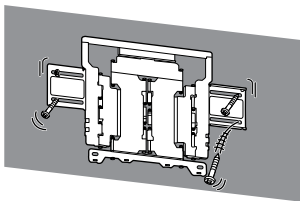


Nie montować telewizora nad lub pod klimatyzatorem.

W przypadku narażenia telewizora przez dłuższy czas na wycieki wody albo strumień powietrza z klimatyzatora może dojść do porażenia prądem elektrycznym lub awarii telewizora.

Uchwyt ścienny należy mocno zamocować do ściany, zgodnie ze wskazówkami podanymi w tej instrukcji.

Jeśli którakolwiek ze śrub poluzuje się lub wypadnie, uchwyt ścienny może spaść, powodując obrażenia lub uszkodzenia mienia. Użyj śruby dostosowanej do budulca ściany i zainstaluj urządzenie bezpiecznie z zastosowaniem śruby o średnicy 8 mm (lub ich odpowiedników).



Należy używać dostarczonych śrub i elementów montażowych w prawidłowy sposób, zgodnie ze wskazówkami podanymi w tej instrukcji. W przypadku używania elementów zastępczych telewizor może spaść, powodując obrażenia lub uszkodzenia.

Uchwyt należy zamontować w prawidłowy sposób, zgodnie ze wskazówkami podanymi w tej instrukcji.

Jeśli którakolwiek ze śrub poluzuje się lub wypadnie, telewizor może spaść, powodując obrażenia lub uszkodzenia.

Śruby należy mocno wkręcać w wyznaczonych miejscach.

W innym przypadku telewizor może spaść, powodując obrażenia lub uszkodzenia.

Nie narażać telewizora na wstrząsy podczas montażu.

Na skutek wstrząsów telewizor może spaść lub rozpaść się. Może to spowodować obrażenia.

Montować telewizor na ścianie prostopadłej do podłogi i płaskiej.

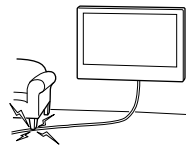
W innym przypadku telewizor może spaść, powodując obrażenia.

Po zamontowaniu telewizora w prawidłowy sposób zamocować kable.

Zaplątanie się osób lub obiektów w kable może spowodować obrażenia lub uszkodzenia.

Nie dopuszczać do zaciśnięcia przewodu zasilającego lub kabli łączących.

W przypadku zaciśnięcia przewodu zasilającego lub kabli łączących pomiędzy urządzeniem a ścianą albo ich zginania lub skręcania na siłę może dojść do odsłonięcia wewnętrznych żył, a co za tym idzie do zwarcia lub przerwy w obwodzie. Może to spowodować pożar lub porażenie prądem elektrycznym.



Śruby potrzebne do zamontowania uchwytu ściennego do ściany nie są dostarczone.

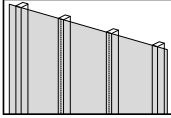
Podczas montażu uchwytu ściennego należy używać śrub odpowiednich do materiału i struktury ściany.

Przed rozpoczęciem

Sprawdzić, z jakiego materiału wykonana jest ściana, na której będzie zawieszany telewizor.

Z jakiego materiału wykonana jest ściana?

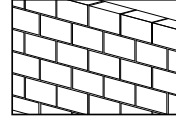
Płyta KG ze stelażem



Środki ostrożności

- Maksymalna grubość płyty KG: 16 mm.
- Upewnić się, że wymiary drewnianej deski stelażowej wewnętrznej są nie mniejsze niż 51 x 102 mm dla wymiarów typowych lub 38 x 89 mm dla wymiarów nominalnych.
- Pomiędzy elementami mocującymi należy zachować nie mniej niż 406 mm odstępu.

Lita ściana z betonu lub bloczków betonowych



Środki ostrożności

- Uchwyt ścienny należy montować bezpośrednio na powierzchnię litej ściany betonowej.
- Grubość litej ściany betonowej powinna być nie mniejsza niż 203 mm.
- Wymiary bloczków, z których wykonana jest ściana, powinny być nie mniejsze niż 203 x 203 x 406 mm.

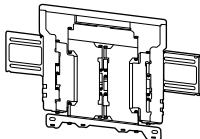

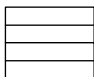

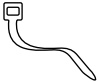
Przygotowanie do montażu

- W czasie instalacji należy mieć do dyspozycji Instrukcję telewizora oraz Przewodnik ustawień.
- Wybrać miejsce montażu telewizora.
- Przygotować cztery wkręty o średnicy 8 mm i cztery odpowiednie podkładki (nie należą do wyposażenia).
Wybrać śruby odpowiednie do materiału, z którego wykonana jest ściana.


Sprawdzenie elementów

Dostarczone z uchwytem SU-WL850

- Sprawdzić, czy wszystkie elementy zostały dostarczone.



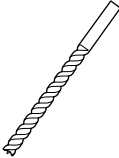
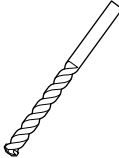
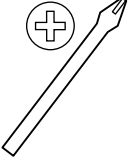



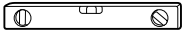
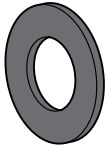

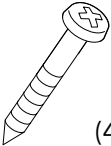
A WM1 (1) 	B WM2 (1) 
C WM3 (4) 	D M6 (4) 
E WT1 (6) 	

Dostarczone z telewizorem

VS Uchwyt ścienny (4) 



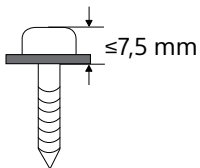
Potrzebne narzędzia

*1 	  5,5 mm  10 mm 		
*2    1,5 N·m {15 kgf·cm} 			
*3  (4)	*2  (4)	*3  (4) 8 mm x 60 mm	

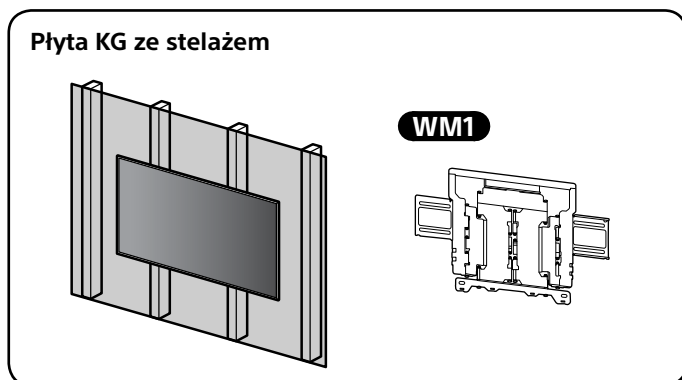
*1 Tylko do płyt KG ze stelażem

*2 Tylko do litych ścian betonowych lub z bloczków betonowych

*3 Podczas dobierania wkrętów i podkładek należy zachować ostrożność



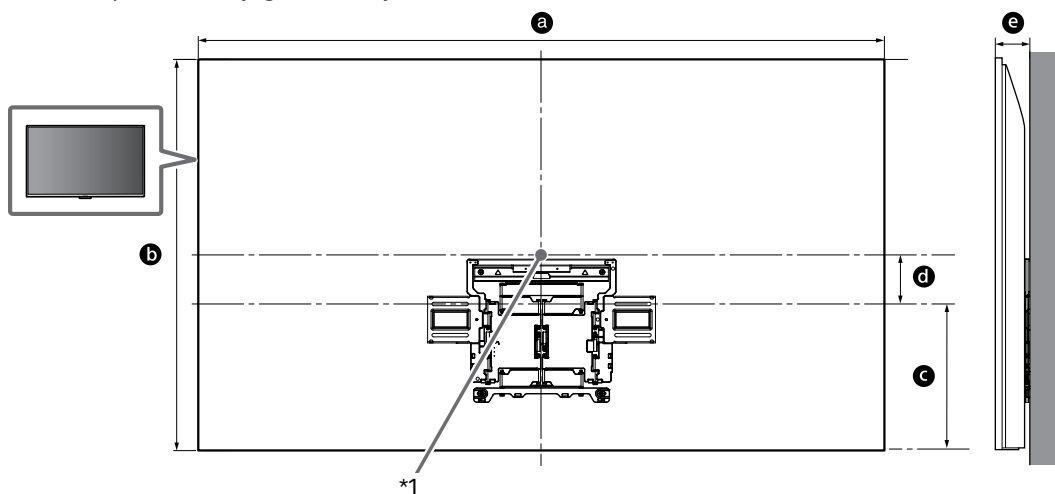
A Przytwierdzanie telewizora do płyty KG ze stelażem

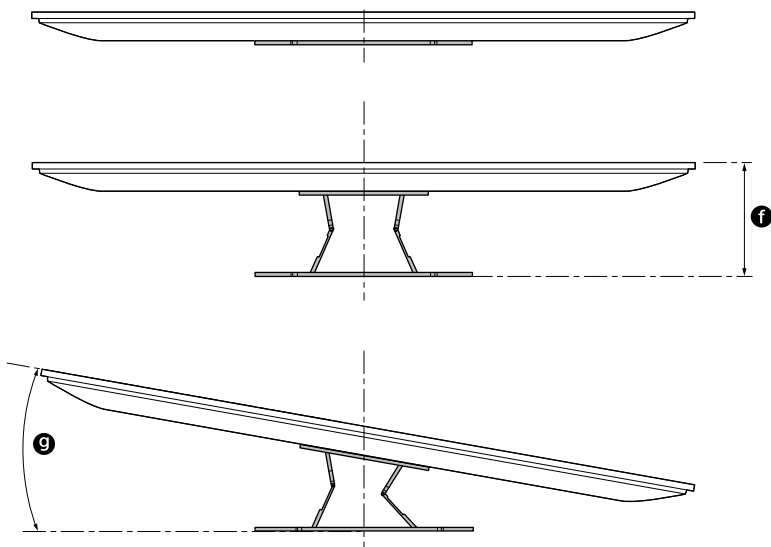


Montaż uchwyty ścienne na ścianie

1 Wybrać miejsce montażu.

Upewnić się, że na ścianie jest wystarczająco dużo miejsca dla telewizora, a także że ściana jest w stanie unieść ciężar co najmniej czterokrotnie większy od ciężaru telewizora. Zapoznać się z poniższą tabelą dotyczącą montażu telewizora na ścianie. Ciężar telewizora można sprawdzić w jego instrukcji.





(mm)

Nazwa modelu	a	b	c	d	e	f*2	g*2 (°)
KD-75XH80xx	1 686	969	364	123	86	288	15
KE-75XH80xx							
KD-65XH81xx	1 462	841	365	59	83	287	18
KE-65XH81xx							
KD-65XH80xx							
KE-65XH80xx							
KD-55XH81xx	1 243	718	365	3	83	287	20
KE-55XH81xx							
KD-55XH80xx							
KE-55XH80xx							

PL

Tabela wymiarów instalacyjnego telewizora (mm)

Wartości podane w tabeli mogą się różnić minimalnie w zależności od instalacji.

*1 (Centralny punkt ekranu)

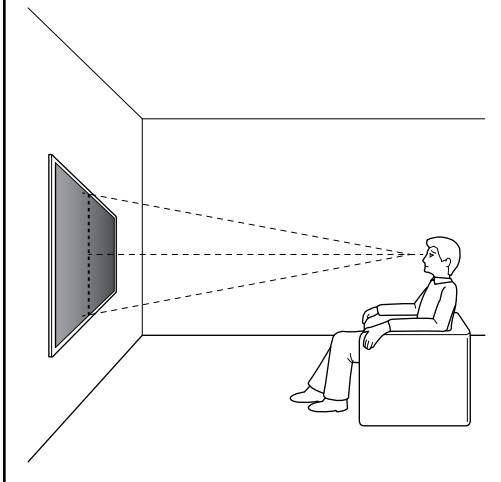
*2 (około)

Uwaga

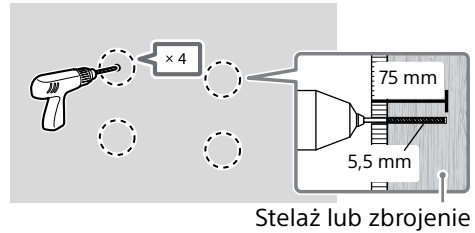
- Po zamontowaniu telewizora na ścianie jego górna część jest lekko przechylona do przodu.

Uwaga

- Zalecamy sprawdzenie pozycji telewizora w miejscu oglądania.



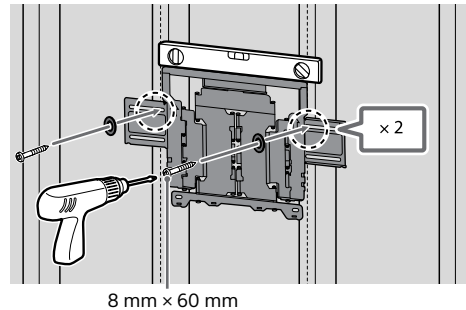
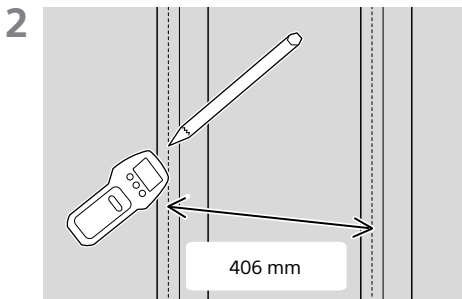
4 Wywiercić górne otwory pilotażowe w oznaczonych punktach.



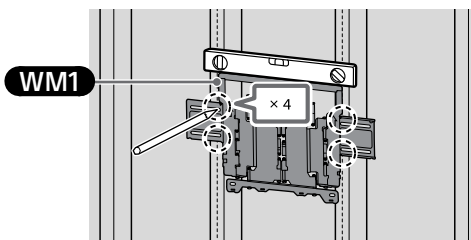
Uwaga

- Otwory pilotażowe należy wywiercić na głębokość 75 mm za pomocą wiertła o średnicy 5,5 mm.

5 Zamontować element **WM1** na ścianie za pomocą odpowiednich wkrętów (nie należą do wyposażenia) i podkładek (nie należą do wyposażenia).



3 Przyłożyć element **WM1** do ściany i oznaczyć cztery miejsca na otwory na belkach stelażu.



Uwaga

- Użyj poziomnicy, aby sprawdzić czy element **WM1** jest wypoziomowany.

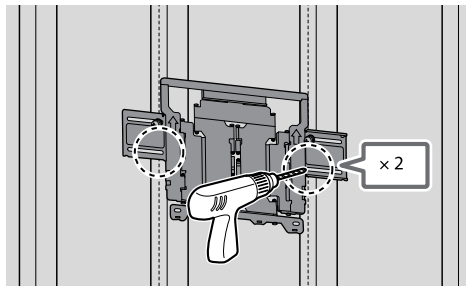
Uwaga

- Użyj poziomnicy, aby sprawdzić czy element **WM1** jest wypoziomowany.

Środki ostrożności

- Nie dokręcać zbyt mocno drewnianej śruby 8 mm x 60 mm. Nieprawidłowa siła dokręcania może obniżyć sprawność działania drewnianej śruby 8 mm x 60 mm.

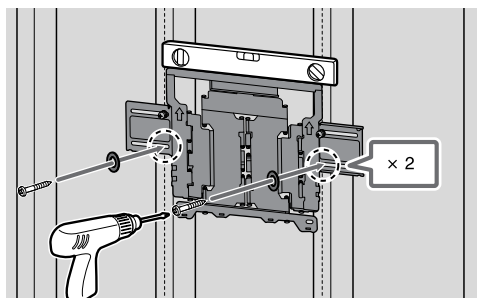
- 6 Wywiercić dolne otwory pilotażowe w oznaczonych punktach. (Instrukcje dotyczące wiercenia otworów można znaleźć w kroku 4.)



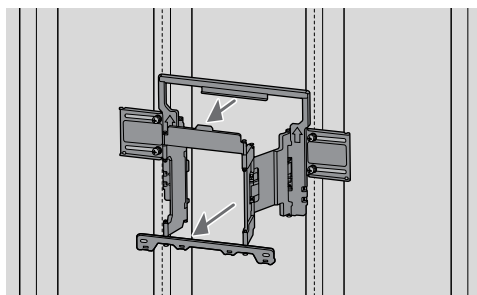
- 7 Włożyć odpowiednie śruby i podkładki do otworów.

Uwaga

- Użyj poziomnicy, aby sprawdzić, czy uchwyt ścienny jest wypoziomowany.

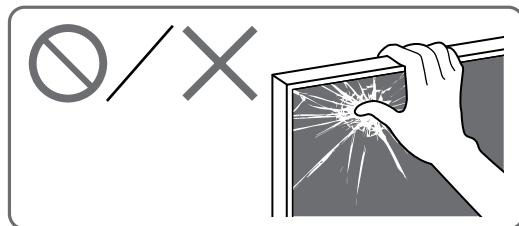


- 8 Wyciągnąć ramię wspornika aż do samego końca.

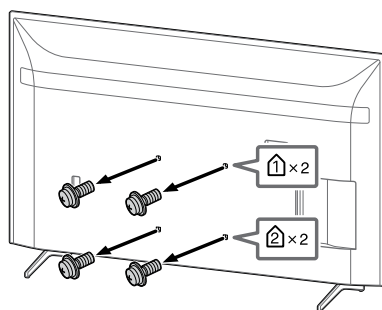


Przygotowanie do montażu telewizora

Należy upewnić się, że podstawa jest dołączona przez montażem telewizor na ścianie, odnosząc się do Przewodnik ustawień.



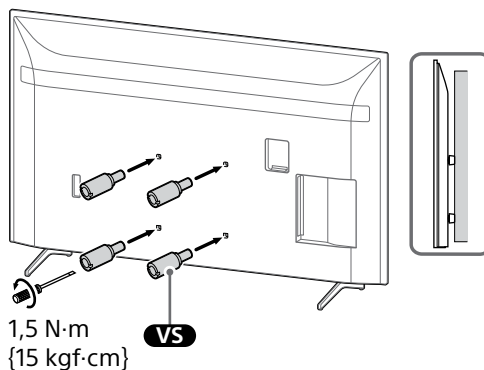
- 1 Odkręć śruby z tyłu telewizora.



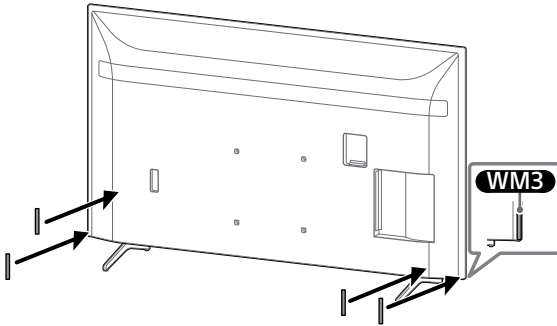
Uwaga

- Wykręcone śruby i niewykorzystane części przechowywać w bezpiecznym miejscu z dala od dzieci.

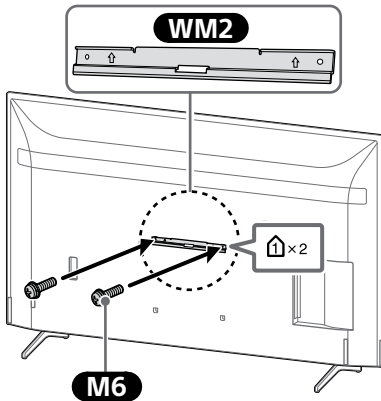
- 2 Przymocuj uchwyt ścienny (dostarczony z telewizorem) z tyłu telewizora (aby ustawić go równoległe do ściany).



3 Przymocuj element **WM3**.

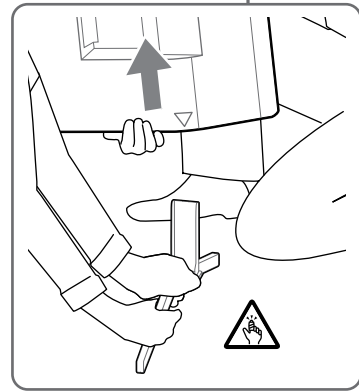
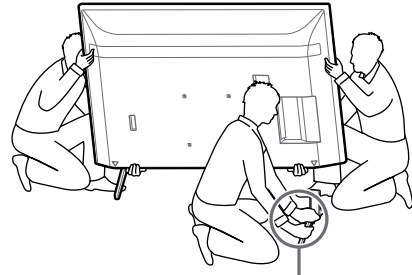


4 Zamontować element **WM2** do telewizora za pomocą **M6**.



5 Odkręć podstawę od telewizora.

- Usuń boki podstawy pojedynczo. Chwyć podstawę mocno obiema rękami, a pozostałe osoby powinny podnieść telewizor.

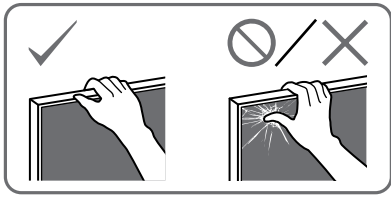


- Powtórz poprzednią czynność i usuń drugi bok podstawy.

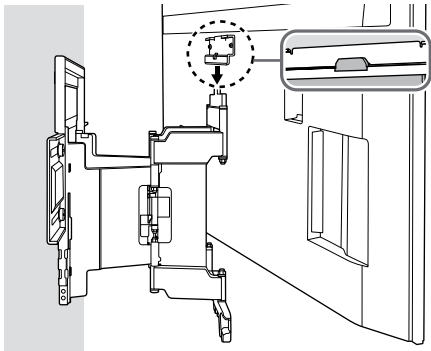
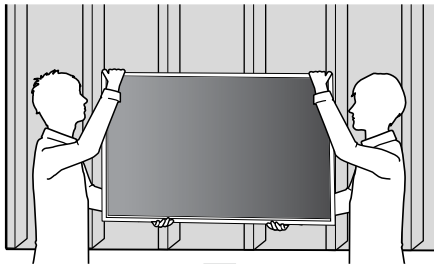
Uwaga

- Odłączenie podstawy wymaga współdziałania przynajmniej trzech osób.
- Należy uważać, aby nie użyć nadmiernej siły przy odłączaniu podstawy od telewizora, gdyż może to spowodować upadek telewizora i doprowadzić do obrażeń ciała lub fizycznego uszkodzenia telewizora.
- Zachować ostrożność podczas obsługi podstawy, aby uniknąć uszkodzenia telewizora.
- Zachowaj ostrożność, unosząc telewizor i odłączając podstawę. Łatwo ją można przewrócić i spowodować obrażenia.
- Uważaj podczas odłączania podstawy od telewizora, aby nie spadła i nie uszkodziła powierzchni, na której stał odbiornik.

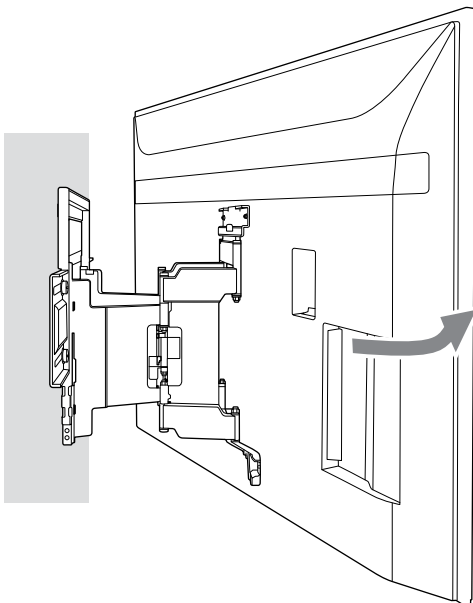
Montaż telewizora na ścianie



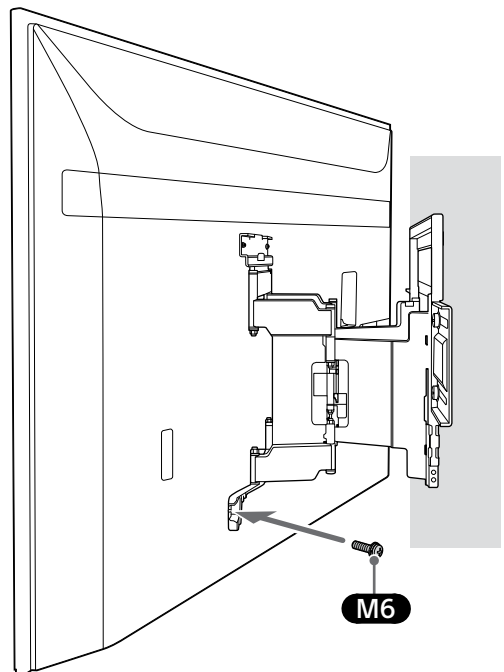
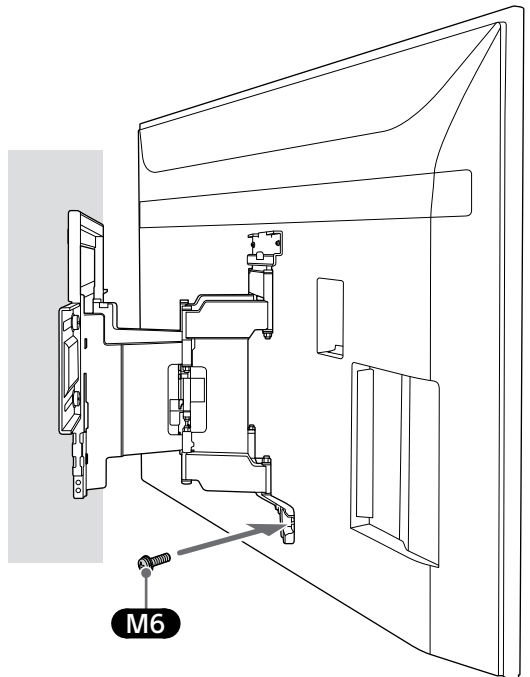
1



2

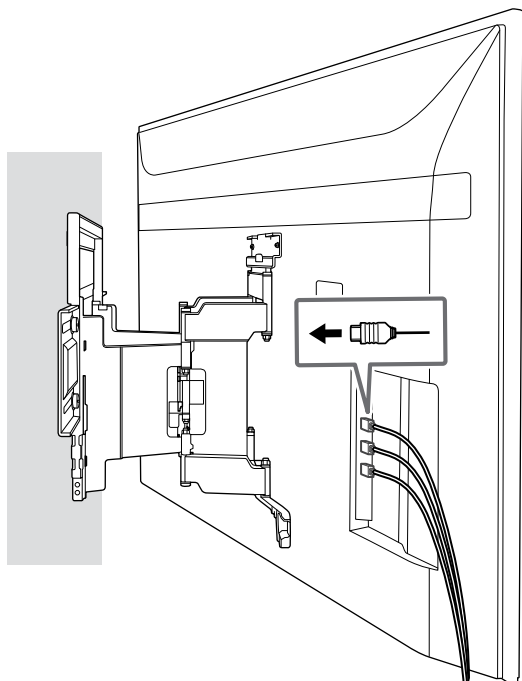


3 Przykręcić lewą i prawą stronę uchwytu ściennego.

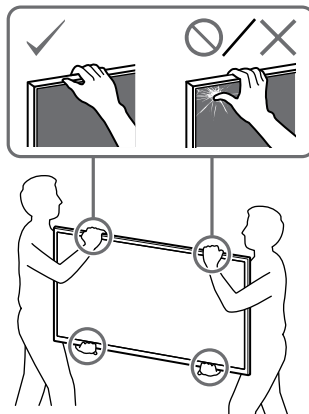


PL

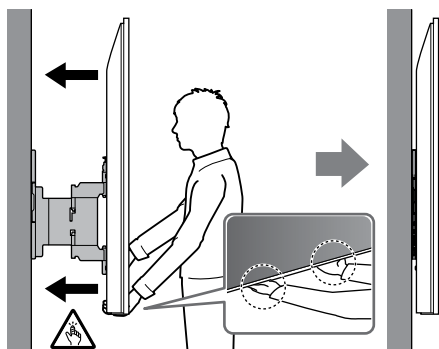
4

**OSTRZEŻENIE**

- Do przenoszenia telewizora potrzebne są co najmniej dwie osoby (co najmniej trzy dla ekranów powyżej 75 cali).



5 Przenosząc telewizor, chwycić go mocno od dołu.



Sprawdzenie kompletności montażu

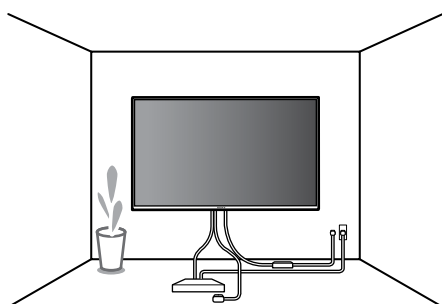
Sprawdzić następujące pozycje.

- Czy przewód i kable nie są skręcone ani zaciśnięte.

OSTRZEŻENIE

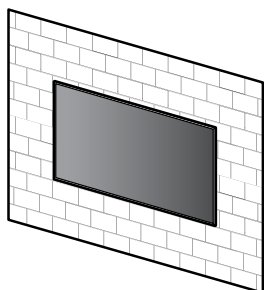
- Nieprawidłowe umieszczenie przewodu zasilającego itp. może spowodować pożar lub porażenie prądem elektrycznym na skutek zwarcia. Ze względów bezpieczeństwa należy sprawdzić kompletność montażu.

6

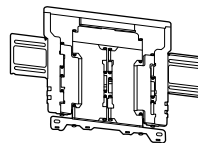


B Montowanie uchwyty ścienne do litej ściany z betonu lub bloczków betonowych

Lita ściana z betonu lub bloczków betonowych



WM1

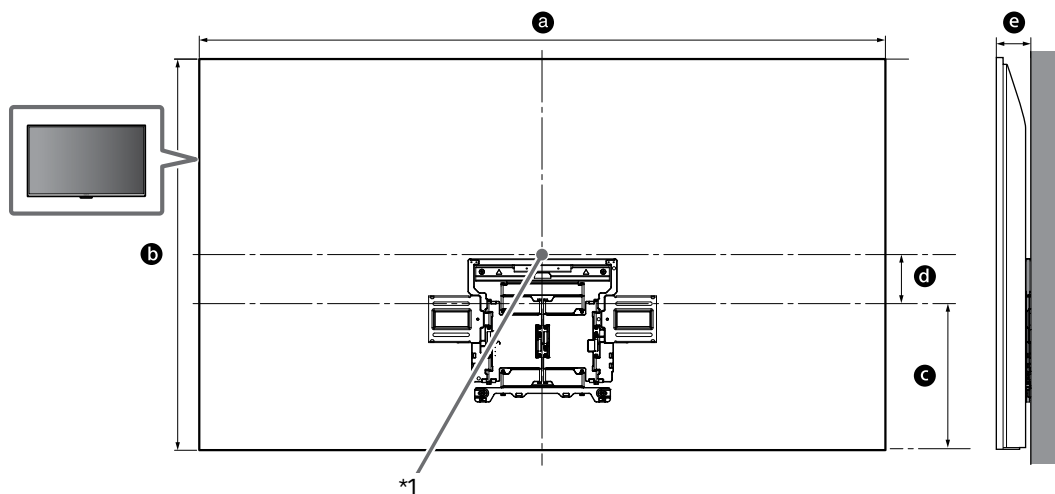


Montaż uchwyty ścienne na ścianie

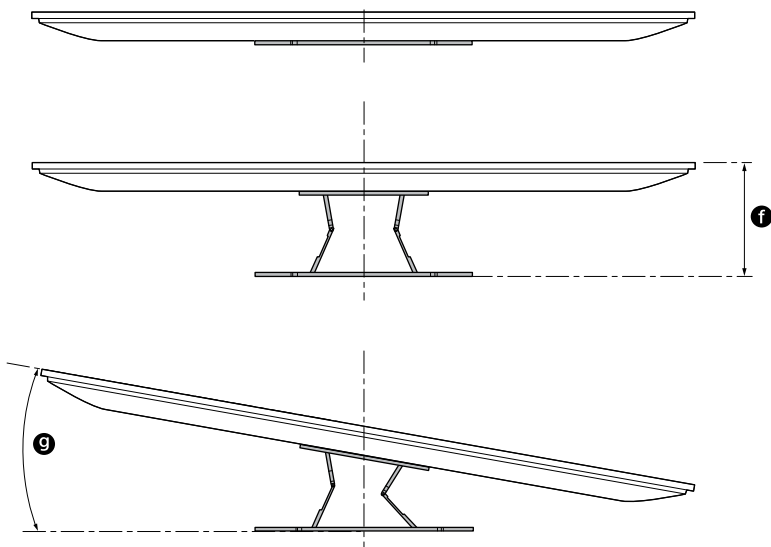
1 Wybrać miejsce montażu.

Upewnić się, że na ścianie jest wystarczająco dużo miejsca dla telewizora, a także że ściana jest w stanie unieść ciężar co najmniej czterokrotnie większy od ciężaru telewizora.

Zapoznać się z poniższą tabelą dotyczącą montażu telewizora na ścianie. Ciężar telewizora można sprawdzić w jego instrukcji.



PL



(mm)

Nazwa modelu	a	b	c	d	e	f*2	g*2 (°)
KD-75XH80xx	1 686	969	364	123	86	288	15
KE-75XH80xx							
KD-65XH81xx	1 462	841	365	59	83	287	18
KE-65XH81xx							
KD-65XH80xx							
KE-65XH80xx							
KD-55XH81xx	1 243	718	365	3	83	287	20
KE-55XH81xx							
KD-55XH80xx							
KE-55XH80xx							

Tabela wymiarów instalacyjnego telewizora (mm)

Wartości podane w tabeli mogą się różnić minimalnie w zależności od instalacji.

*1 (Centralny punkt ekranu)

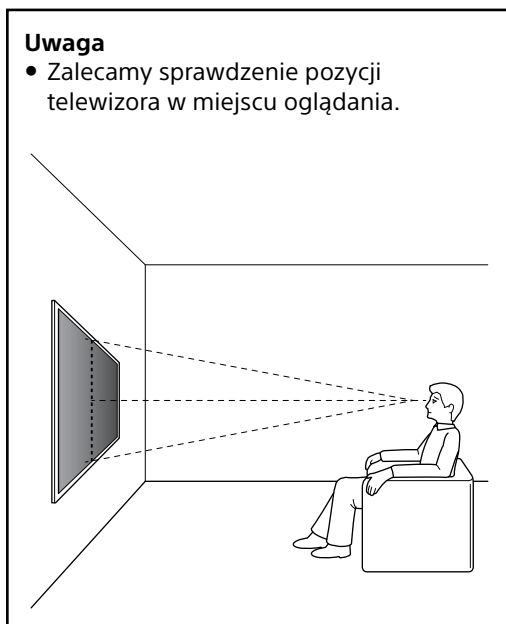
*2 (około)

Uwaga

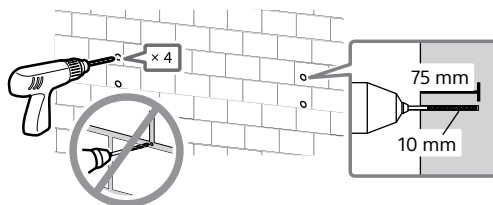
- Po zamontowaniu telewizora na ścianie jego górna część jest lekko przechylona do przodu.

Uwaga

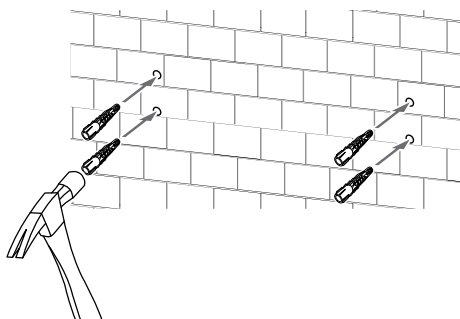
- Zalecamy sprawdzenie pozycji telewizora w miejscu oglądania.



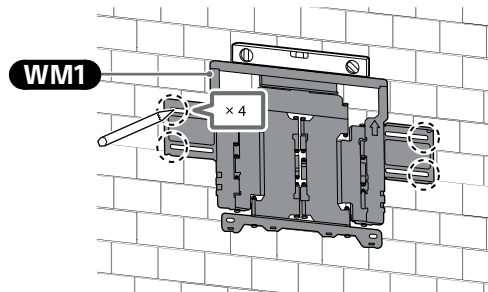
3 Wywierć otwory pilotowe w zaznaczonych punktach.



4



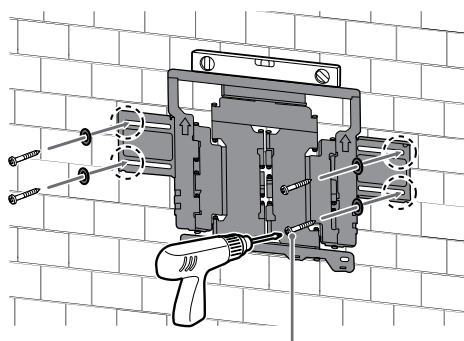
2 Przyłożyć element WM1 do ściany i oznaczyć cztery miejsca na otwory na ścianie.



Uwaga

- Użyj poziomnicy, aby sprawdzić czy element WM1 jest wypoziomowany.

5 Zamontować element WM1 na ścianie za pomocą odpowiednich wkrętów (nie należą do wyposażenia) i podkładek (nie należą do wyposażenia).



8 mm × 60 mm

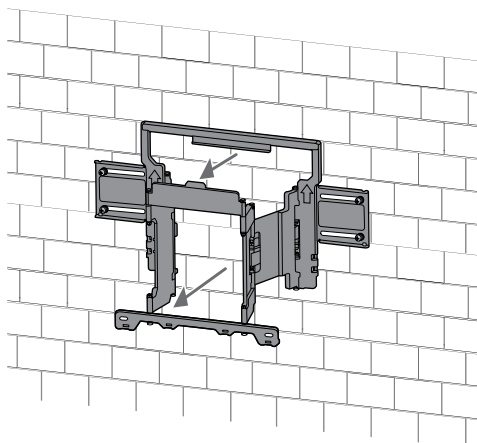
Uwaga

- Użyj poziomnicy, aby sprawdzić, czy uchwyt ścienny jest wypoziomowany.

Środki ostrożności

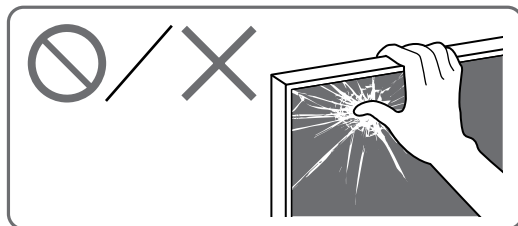
- Nie dokręcać zbyt mocno drewnianej śruby 8 mm × 60 mm. Nieprawidłowa siła dokręcania może obniżyć sprawność działania drewnianej śruby 8 mm × 60 mm.

- 6 Wyciągnąć ramię wspornika aż do samego końca.

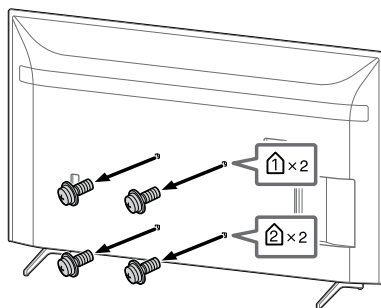


Przygotowanie do montażu telewizora

Należy upewnić się, że podstawa jest dołączona przez montażem telewizor na ścianie, odnosząc się do Przewodnik ustawień.



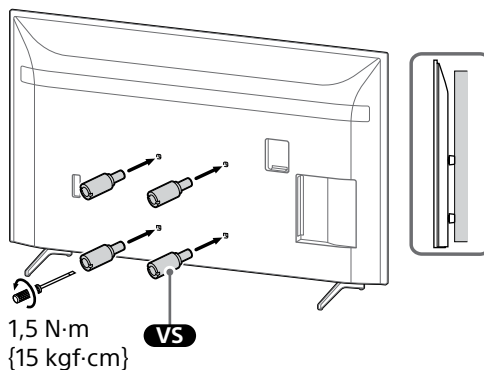
- 1 Odkręć śruby z tyłu telewizora.



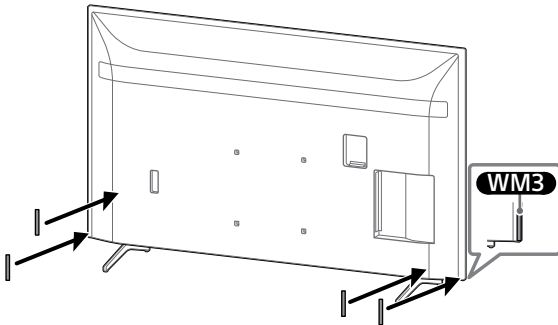
Uwaga

- Wykręcone śruby i niewykorzystane części przechowywać w bezpiecznym miejscu z dala od dzieci.

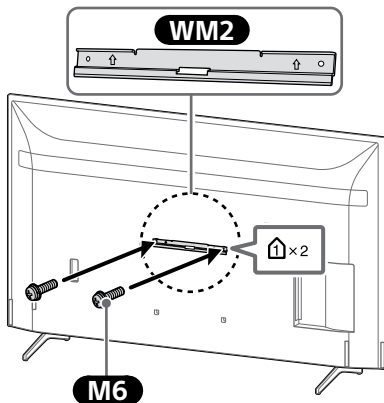
- 2 Przymocuj uchwyt ścienny (dostarczony z telewizorem) z tyłu telewizora (aby ustawić go równoległe do ściany).



3 Przymocuj element **WM3**.

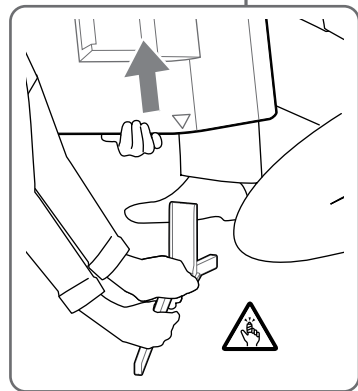
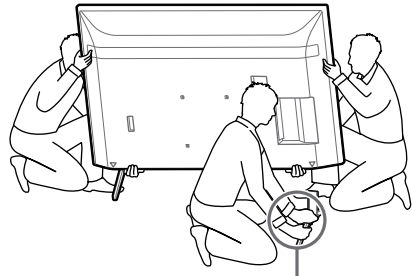


4 Zamontować element **WM2** do telewizora za pomocą **M6**.



5 Odkręć podstawę od telewizora.

- Usuń boki podstawy pojedynczo. Chwyć podstawę mocno obiema rękami, a pozostałe osoby powinny podnieść telewizor.



- Powtórz poprzednią czynność i usuń drugi bok podstawy.

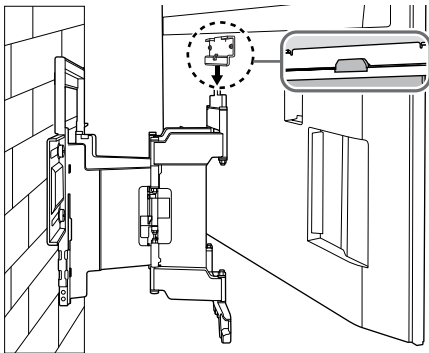
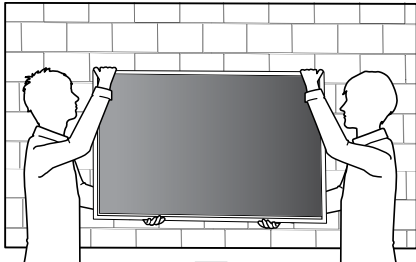
Uwaga

- Odłączenie podstawy wymaga współdziałania przynajmniej trzech osób.
- Należy uważać, aby nie użyć nadmiernej siły przy odłączaniu podstawy od telewizora, gdyż może to spowodować upadek telewizora i doprowadzić do obrażeń ciała lub fizycznego uszkodzenia telewizora.
- Zachować ostrożność podczas obsługi podstawy, aby uniknąć uszkodzenia telewizora.
- Zachowaj ostrożność, unosząc telewizor i odłączając podstawę. Łatwo ją można przewrócić i spowodować obrażenia.
- Uważaj podczas odłączania podstawy od telewizora, aby nie spadła i nie uszkodziła powierzchni, na której stał odbiornik.

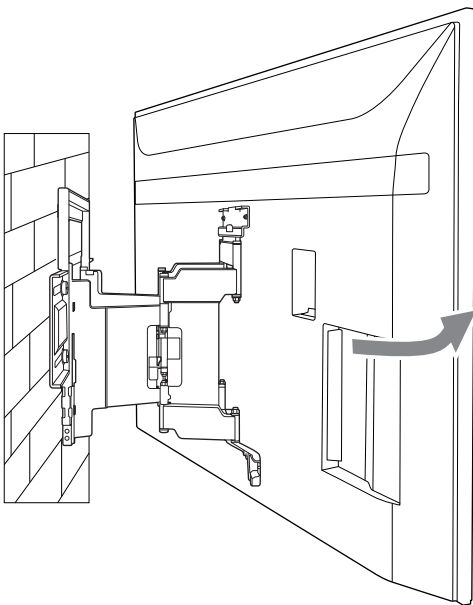
Montaż telewizora na ścianie



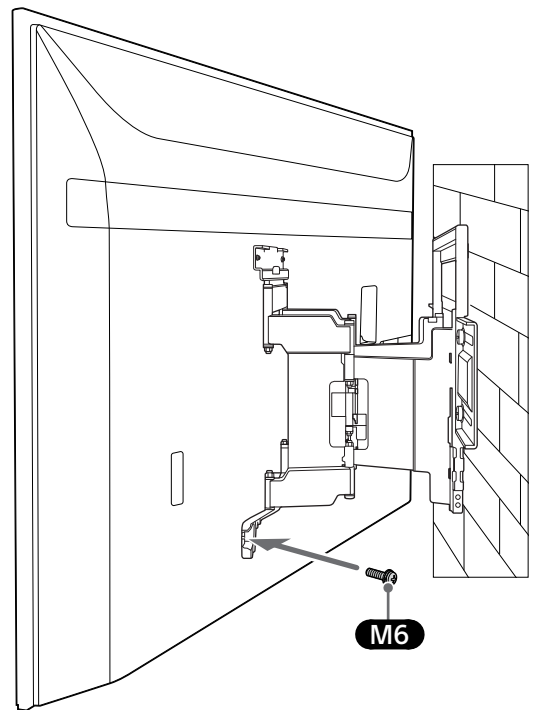
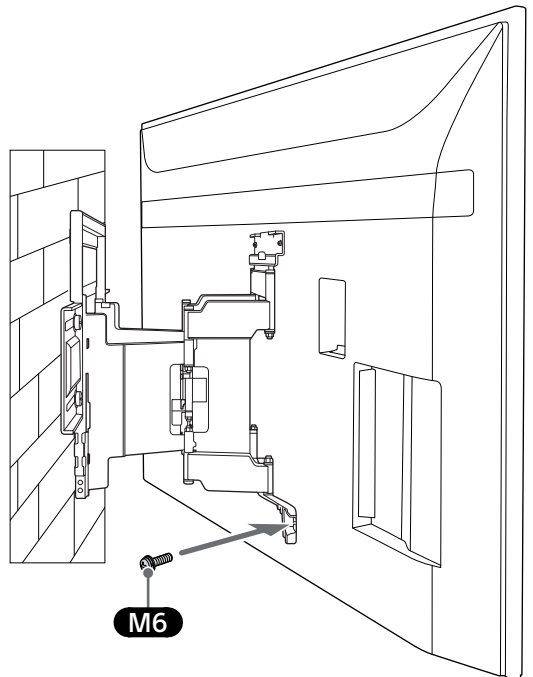
1



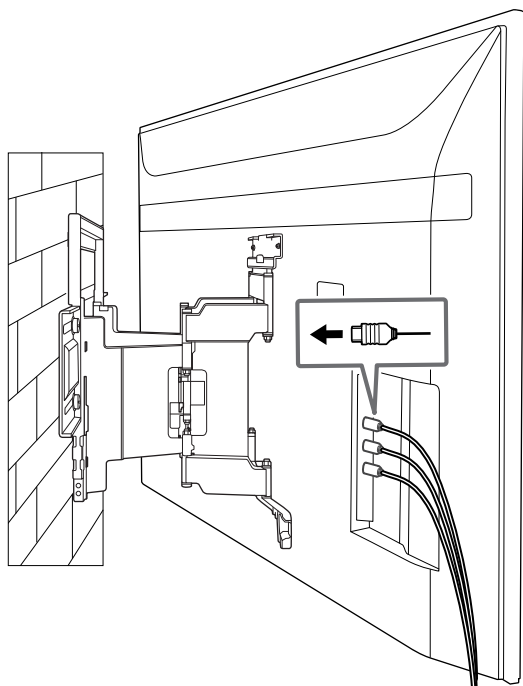
2



3 Przykręcić lewą i prawą stronę uchwytu ściennego.

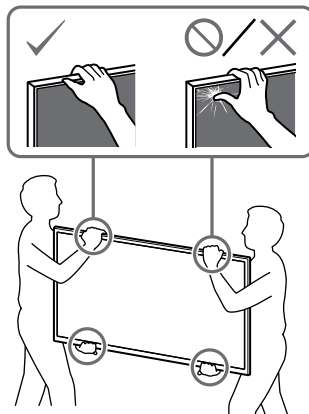


4

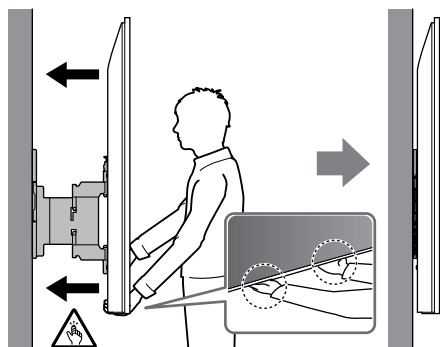


OSTRZEŻENIE

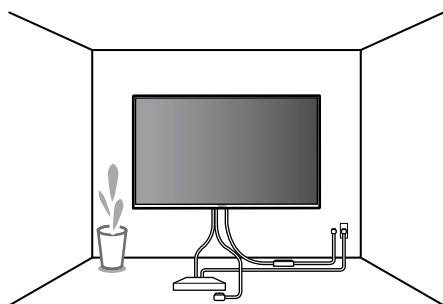
- Do przenoszenia telewizora potrzebne są co najmniej dwie osoby (co najmniej trzy dla ekranów powyżej 75 cali).



5 Przenosząc telewizor, chwyć go mocno od dołu.



6



PL

Sprawdzenie kompletności montażu

Sprawdzić następujące pozycje.

- Czy przewód i kable nie są skręcone ani zaciśnięte.

OSTRZEŻENIE

- Nieprawidłowe umieszczenie przewodu zasilającego itp. może spowodować pożar lub porażenie prądem elektrycznym na skutek zwarcia. Ze względów bezpieczeństwa należy sprawdzić kompletność montażu.

Pozostałe informacje

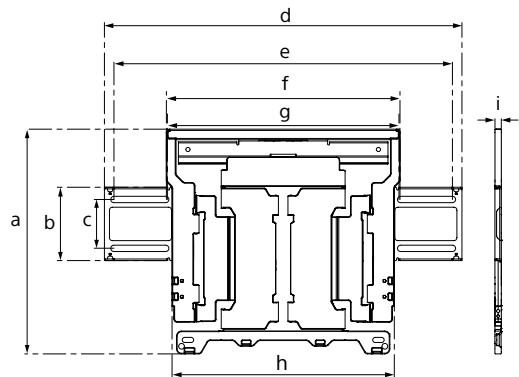
W celu zdemontowania telewizora należy wykonać procedurę montażu w odwrotnej kolejności.

OSTRZEŻENIE

- Do demontażu telewizora potrzebne są co najmniej dwie osoby (co najmniej trzy dla ekranów powyżej 75 cali).

Specyfikacja

WM1



Wymiary: (ok.) [mm]

a : 354
b : 116
c : 77
d : 563
e : 533
f : 370
g : 368
h : 350
i : 11

Ciężar (tylko podstawa): (ok.) [kg]

3,0

Konstrukcja i specyfikacja mogą ulec zmianie bez uprzedzenia.

Informações de instalação para Utilizar o Suporte de Parede Sony (SU-WL850)

Modelos suportados*:

KD-75XH80xx / 65XH81xx / 65XH80xx / 55XH81xx / 55XH80xx

KE-75XH80xx / 65XH81xx / 65XH80xx / 55XH81xx / 55XH80xx

* Nos nomes de modelos actuais, o "xx" indica números e/ou caracteres específicos a cada modelo.

Para os clientes

Para proteção do produto e por motivos de segurança, a Sony recomenda vivamente que a instalação do seu televisor seja efetuada por agentes ou técnicos licenciados da Sony. Não tente instalá-lo sozinho.

Para os agentes e técnicos da Sony

Deve ser dada total atenção à segurança durante a instalação, durante qualquer manutenção periódica e durante qualquer verificação deste produto.

É necessário ter experiência suficiente para instalar este produto, especialmente para determinar se a parede tem robustez suficiente para suportar o peso do televisor. Certifique-se de que confia a instalação deste produto numa parede a agentes ou técnicos licenciados da Sony e dê a devida atenção à segurança durante a instalação. A Sony não poderá ser responsabilizada por quaisquer danos ou ferimentos causados por manuseamento incorreto ou instalação incorreta.

Para Segurança e instalação adequadas, siga as Instruções de Funcionamento do Suporte de Parede, Guia de configuração do Televisor e as indicações neste manual.

Suporte de parede

Segurança

Obrigado por ter adquirido este produto.

Para os clientes

Instalar o televisor na parede



A INSTALAÇÃO TEM DE SER EFETUADA POR UM PROFISSIONAL

Este produto tem de ser instalado por um instalador profissional que tenha a formação adequada para determinar se a parede tem resistência suficiente para suportar o peso do Televisor. Se o Televisor não for fixado corretamente durante a instalação, poderá cair e causar ferimentos graves. A Sony não poderá ser responsabilizada por quaisquer danos ou ferimentos causados por manuseamento incorreto ou instalação imprópria, nem pela instalação de um produto diferente do especificado. Os seus Direitos Estatutários (se existirem) não são afectados.

Para os agentes da Sony

É necessária uma formação técnica adequada para instalar este produto. Leia atentamente este manual de instruções para efectuar a instalação com segurança. A Sony não se responsabiliza por quaisquer danos ou ferimentos causados pela utilização indevida ou instalação incorrecta. Após a instalação, entregue este manual de instruções ao cliente.

Este manual de instruções descreve as precauções importantes necessárias para evitar acidentes e utilizar o produto de forma correcta. O utilizador é responsável por ler, compreender totalmente e seguir todas as instruções deste manual de instruções. Se não o fizer, pode provocar ferimentos graves em pessoas e danos materiais que podem anular a garantia. Guarde este manual para futuras consultas.

Os produtos da Sony são concebidos para oferecer a máxima segurança. No entanto, se utilizados de forma incorrecta, podem provocar ferimentos graves através de incêndio, choque eléctrico ou queda. Para evitar esse tipo de acidentes, respeite as precauções de segurança.

CUIDADO

Produtos especificados

Este Suporte para Montagem na Parede foi concebido para ser utilizado apenas com o televisor especificado. Para o seu Televisor, consulte o respetivo "Guia de referência" para verificar qual é o Suporte de parede que pode ser utilizado.

Para os clientes

AVISO

O não cumprimento das precauções indicadas abaixo, pode provocar a morte ou ferimentos graves através de incêndio, choque eléctrico ou queda do produto.

Certifique-se de que a instalação é efectuada por representantes autorizados e mantenha as crianças afastadas do local durante a instalação.

Se o suporte de montagem na parede ou o televisor não forem instalados correctamente, podem ocorrer os seguintes acidentes. Certifique-se de que a instalação é efectuada por técnicos qualificados.

- O televisor pode cair e provocar ferimentos graves, como equimoses ou fracturas.
- Se a parede onde o Suporte para Montagem na Parede está instalado for instável, irregular ou não estiver perpendicular ao chão, o aparelho pode cair e provocar ferimentos ou danos materiais. A parede deve ser capaz de suportar, pelo menos, seis vezes o peso do Televisor. (Consulte o "Guia de referência" do seu televisor para saber qual é o seu peso.)
- Se a instalação do Suporte para Montagem na Parede não for suficientemente sólida, o aparelho pode cair e provocar ferimentos ou danos materiais.

Contrate técnicos qualificados para o transporte e desmontagem do televisor.

Se o transporte ou montagem for feito por pessoas que não os técnicos qualificados, o televisor pode cair e provocar ferimentos ou danos materiais. Certifique-se de que o transporte ou a desmontagem do televisor deverá ser efectuado por duas ou mais pessoas (três ou mais pessoas para televisor de 75 polegadas e acima).

Não retire os parafusos, etc., após a desmontagem do televisor.

Se o fizer, o televisor pode cair e provocar ferimentos ou danos materiais.

Não faça quaisquer alterações nas peças do Suporte para Montagem na Parede.

Se o fizer, o Suporte para Montagem na Parede pode cair e provocar ferimentos ou danos materiais.

Não instale um equipamento diferente do especificado no suporte.

Este Suporte de Instalação na Parede foi concebido para ser utilizado apenas com o produto especificado. A instalação de qualquer outro equipamento pode resultar em queda ou quebra e provocar danos materiais ou ferimentos.

Não coloque nenhuma carga para além do televisor no Suporte para Montagem na Parede. Não agite o televisor para a esquerda/para a direita, para cima/para baixo.

Se o fizer, o televisor pode cair e provocar ferimentos ou danos materiais.

Não se encoste nem se pendure no televisor.

Não se encoste nem se pendure no televisor, pois este pode cair e provocar ferimentos graves.

CUIDADO

Se as seguintes precauções não forem observadas, poderão ocorrer ferimentos ou danos materiais.

- Tenha cuidado para não trilhar os dedos quando manusear o Suporte de parede ou rodar o Televisor.
- Quando rodar o Televisor, faça-o suavemente e tenha cuidado para não bater em pessoas que estejam perto.
- Certifique-se de que guarda as peças não utilizadas num local seguro para futura utilização. Mantenha-as afastadas de crianças.

Não faça demasiada força durante a limpeza ou manutenção do produto.

Não faça demasiada força na parte superior do televisor. Se o fizer, o televisor pode cair e provocar ferimentos ou danos materiais.

Precauções

- Se utilizar o televisor instalado no Suporte para Montagem na Parede durante muito tempo, a parede por trás ou por cima do televisor pode perder a cor e o papel de parede pode descolar-se, dependendo do material da parede.
- Se retirar o Suporte para Montagem na Parede depois de o instalar, os orifícios do parafuso ficam na parede.
- Não utilize o Suporte para Montagem na Parede num local num local sujeito a vibrações mecânicas.

Instalar o suporte para montagem na parede

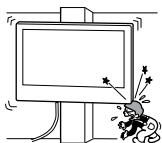
Para os Agentes da Sony

AVISO

As seguintes instruções destinam-se apenas aos agentes da Sony. Leia as precauções de segurança na íntegra e preste muita atenção às medidas de segurança que é preciso respeitar durante a instalação, manutenção e verificação deste produto.

Não instale o suporte para montagem em paredes em que os cantos ou os lados do televisor fiquem afastados da parede.

Não instale o suporte para montagem na parede em colunas em que os cantos ou os lados do televisor fiquem afastados da parede. Se uma pessoa ou objeto embaterem no canto ou lado saliente do televisor, isso pode provocar ferimentos ou danos materiais.

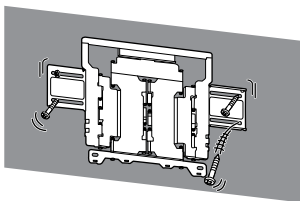


Não instale o televisor por cima ou por baixo de um aparelho de ar condicionado.

Se o televisor ficar exposto a fugas de água ou correntes de ar do aparelho de ar condicionado durante muito tempo, pode ocorrer um incêndio, um choque elétrico ou uma avaria.

Instale o suporte para montagem na parede com segurança seguindo as indicações deste manual de instruções.

Se algum dos parafusos estiver solto ou cair, o suporte para montagem na parede pode cair e provocar ferimentos ou danos materiais. Certifique-se de que utiliza os parafusos corretos para o material da parede e instale a unidade firmemente com quatro parafusos de 8 mm de diâmetro (ou equivalentes).



Utilize os parafusos e os acessórios fornecidos conforme as indicações deste manual de instruções. Se utilizar outros acessórios, o televisor pode cair e provocar ferimentos a alguém ou danos materiais no próprio televisor.

Monte o suporte corretamente, seguindo o procedimento explicado neste manual de instruções.

Se um dos parafusos se soltar ou cair, o televisor pode cair e provocar ferimentos a alguém ou danos materiais no televisor.

Aperte bem os parafusos na posição correta.

Se não o fizer, o televisor pode cair e ferir alguém ou ficar danificado.

Não submeta o televisor a qualquer choque durante a instalação.

Se o televisor sofrer choques, pode cair ou partir-se. O que pode provocar ferimentos.

Instale o televisor numa parede perpendicular e plana.

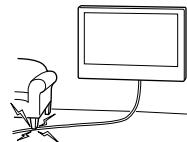
Se não o fizer, o televisor pode cair e provocar ferimentos.

Depois de instalar corretamente o televisor, fixe bem os cabos.

Se as pessoas ou objetos ficarem emaranhados nos cabos, podem ferir-se ou danificar o televisor ou o monitor.

Não deixe o cabo de alimentação CA, nem o cabo de ligação ficarem trilhados.

Se o cabo de alimentação CA ou o cabo de ligação ficar trilhado entre o aparelho e a parede ou se os dobrar ou torcer à força, os condutores internos podem ficar à vista e provocar um curto-circuito ou a quebra do cabo elétrico. Pode provocar um incêndio ou choque elétrico.



Os parafusos necessários para fixar o Suporte para Montagem na Parede não estão incluídos.

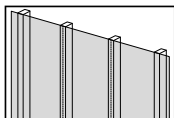
Utilize os parafusos apropriados para o material de que é feita a parede e para a estrutura quando instalar o Suporte para Montagem na Parede.

Antes de começar

Comece por verificar qual é o tipo de parede em que vai instalar o Televisor.

Qual é o material da sua parede?

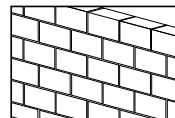
Parede de gesso com barrotes



Precauções

- Espessura máxima da parede de gesso: 16 mm.
- Certifique-se de que a dimensão dos barrotes de madeira interiores é igual ou superior a 51 x 102 mm em termos comuns ou 38 x 89 mm em termos nominais.
- Mantenha uma distância horizontal de 406 mm ou mais entre os fixadores.

Betão armado ou blocos de betão



Precauções

- No caso de betão armado, monte o Suporte de parede diretamente na parede.
- Certifique-se de que a espessura da parede de betão armado é igual ou superior a 203 mm.
- Certifique-se de que a dimensão de cada bloco de betão é igual ou superior a 203 x 203 x 406 mm.

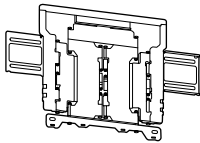

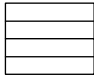

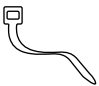
Preparar a instalação

- Tenha o Guia de referência do Televisor e o Guia de configuração à mão antes da instalação.
- Confirme a posição de instalação do seu televisor.
- Utilize quatro parafusos com diâmetro de 8 mm e quatro anilhas adequadas (não fornecidas).
Escolha parafusos adequados para o material da parede.

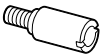
Verificação das peças

Fornecido com o SU-WL850

- Verifique se todas as peças estão incluídas.



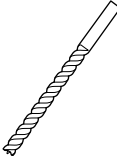
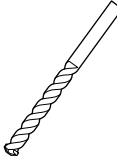
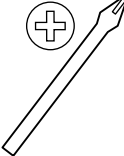






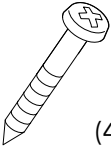
(A) WM1 (1) 	(B) WM2 (1) 
(C) WM3 (4) 	(D) M6 (4) 
(E) WT1 (6) 	

Fornecida com o televisor

VS Acessório de Suporte de Parede (4) 



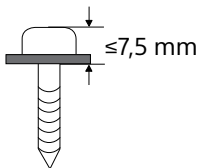
Ferramentas necessárias

*1 	  5,5 mm  10 mm 		
*2 		 1,5 N·m {15 kgf·cm}	
*3  (4)	*2  (4)	*3  8 mm x 60 mm (4)	

*1 Apenas no caso de parede de gesso com barrotes

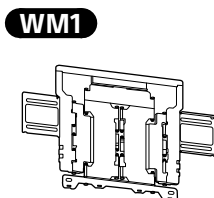
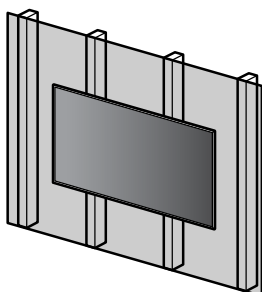
*2 Apenas no caso de parede de betão armado ou blocos de betão

*3 Tenha cuidado quando escolher os parafusos e as anilhas



A Instalar o Televisor numa parede de gesso com barrotes

Parede de gesso com barrotes

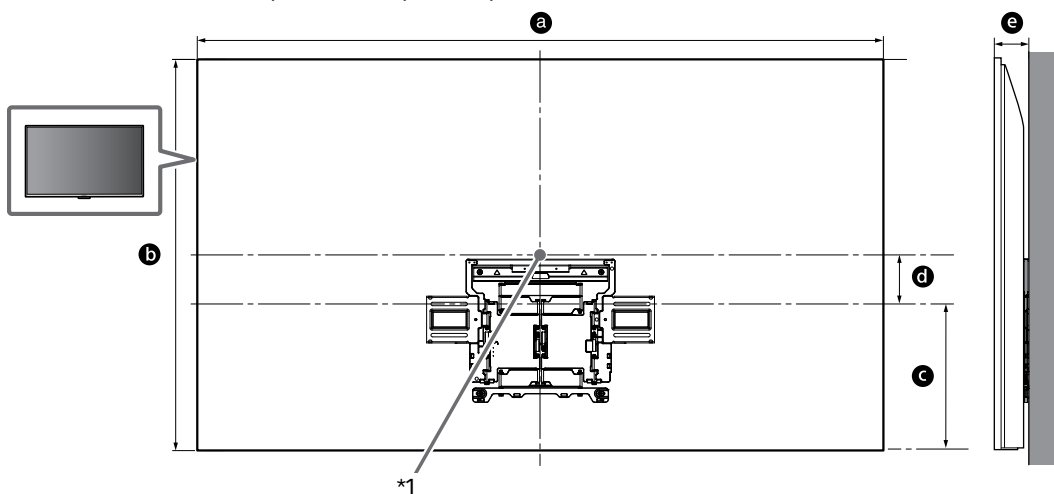


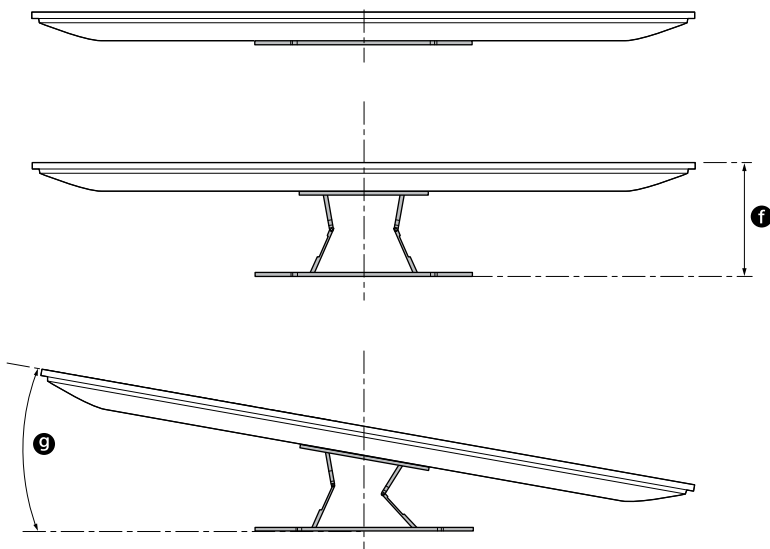
Instalar o Suporte de parede na parede

1 Decida sobre a localização da instalação.

Certifique-se de que a parede tem espaço suficiente para o televisor e que consegue suportar o quádruplo do peso do televisor.

Consulte a tabela seguinte relativa à instalação do televisor numa parede. Consulte o Guia de referência do televisor para saber qual é o peso do televisor.





(mm)

Nome do modelo	a	b	c	d	e	f*2	g*2 (°)
KD-75XH80xx	1.686	969	364	123	86	288	15
KE-75XH80xx							
KD-65XH81xx	1.462	841	365	59	83	287	18
KE-65XH81xx							
KD-65XH80xx							
KE-65XH80xx							
KD-55XH81xx	1.243	718	365	3	83	287	20
KE-55XH81xx							
KD-55XH80xx							
KE-55XH80xx							

Tabela de dimensões de instalação (mm) do televisor

Os números da tabela podem variar ligeiramente dependendo da instalação.

*1 (Ponto central do ecrã)

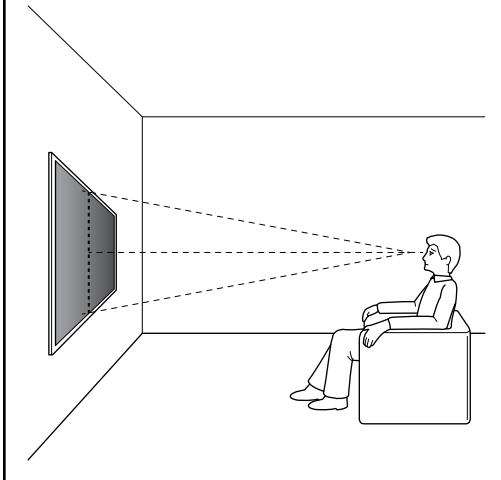
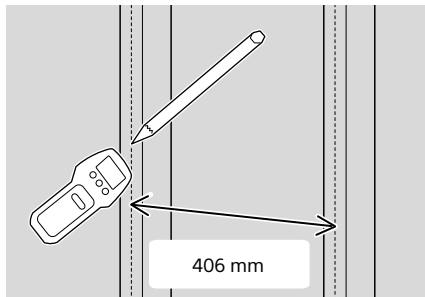
*2 (Aprox.)

Nota

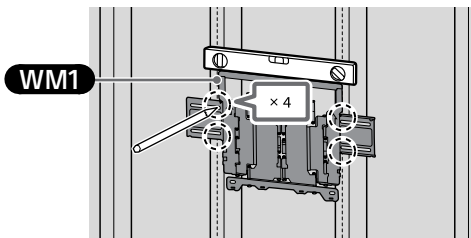
- Quando o televisor estiver instalado na parede, a parte superior do televisor ficará ligeiramente inclinada para a frente.

Nota

- Recomendamos que verifique a posição do Televisor no ambiente de visualização.

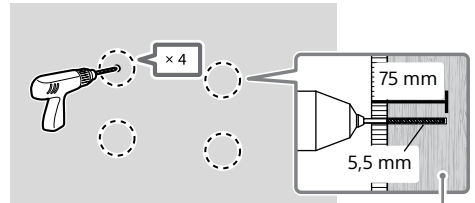
**2**

3 Alinhe a peça **WM1** na parede e faça quatro marcas sobre os barrote.

**Nota**

- Utilize um nível para verificar se o **WM1** está nivelado.

4 Perfure orifícios piloto nas marcas superiores.

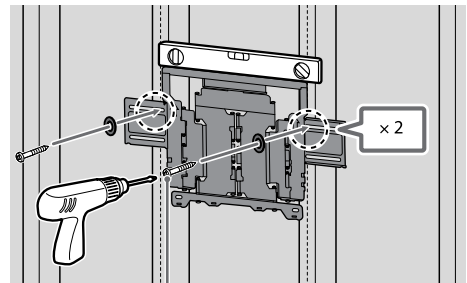


Barrote ou Reforço

Nota

- Os orifícios piloto devem ter 75 mm de profundidade e devem ser perfurados com uma broca de 5,5 mm de diâmetro.

5 Instale a peça **WM1** na parede com os parafusos adequados (não fornecidos) e as anilhas (não fornecidas).



8 mm x 60 mm

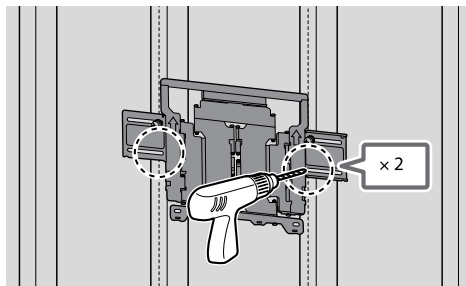
Nota

- Utilize um nível para verificar se o **WM1** está nivelado.

Precaução

- Não aperte excessivamente o parafuso de madeira de 8 mm x 60 mm. Um aperto incorreto pode reduzir a capacidade de sustentação do parafuso de madeira de 8 mm x 60 mm.

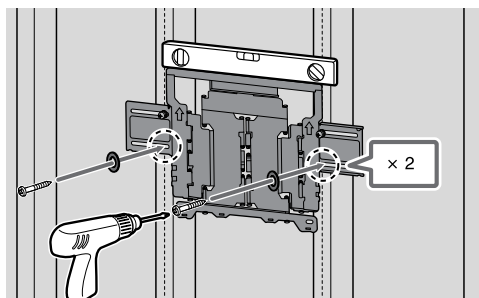
- 6 Perfure orifícios piloto nas marcas inferiores. (Consulte as instruções de perfuração no passo 4.)



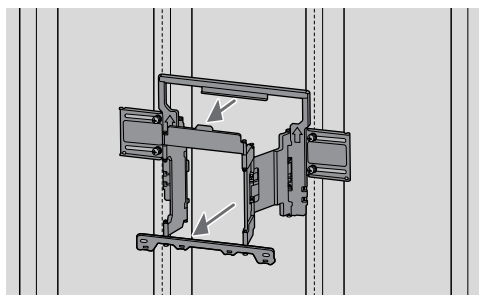
- 7 Instale os parafusos adequados e as respectivas anilhas nos orifícios.

Nota

- Utilize um nível para verificar se o Suporte de parede está nivelado.

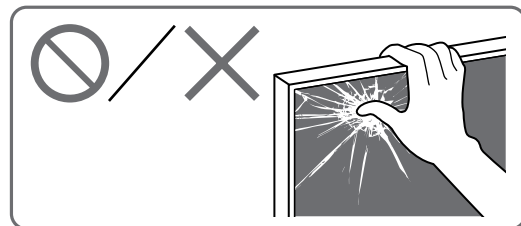


- 8 Estenda totalmente os braços do suporte.

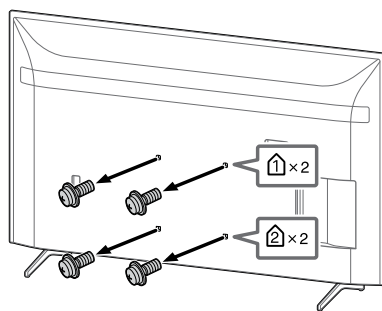


Preparar a instalação do televisor

Certifique-se de que fixa o Suporte de mesa antes de instalar o Televisor na parede, consultando o Guia de configuração.



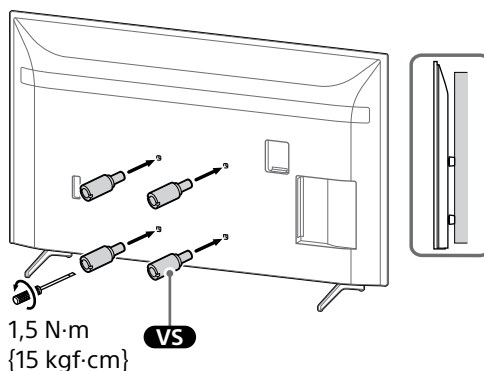
- 1 Remova os parafusos da parte de trás do televisor.



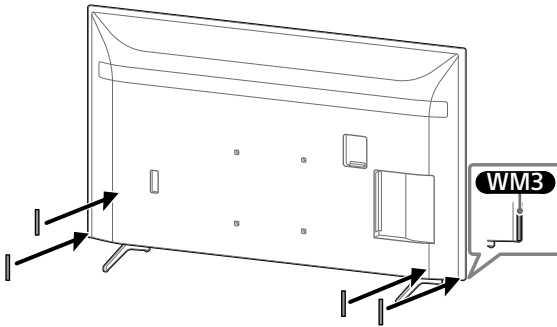
Nota

- Certifique-se de que guarda os parafusos retirados e peças não utilizadas num lugar seguro e fora do alcance de crianças.

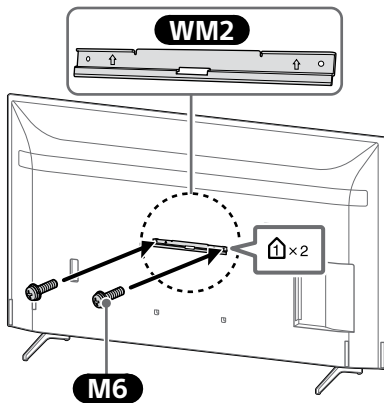
- 2 Instale a fixação de parede (fornecida com o televisor) à parte de trás do televisor (para ficar paralelo à parede).



3 Instale o WM3.

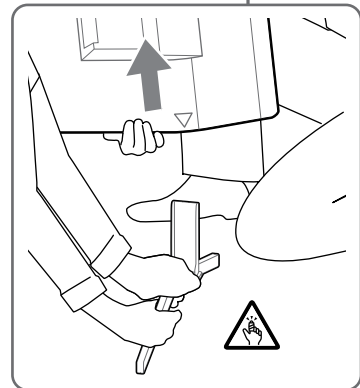
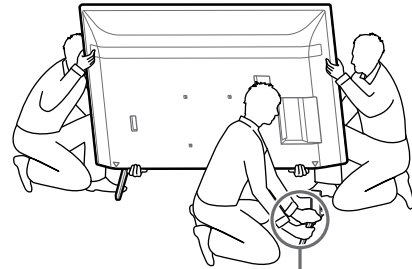


4 Instale a peça WM2 no Televisor com os parafusos M6.



5 Separe o Suporte de Fixação para Mesas do televisor.

- Remova um lado do Suporte de Mesa do Televisor de cada vez. Firmemente segure no Suporte de Mesa do Televisor com ambas as mãos enquanto outra pessoa levanta o televisor.

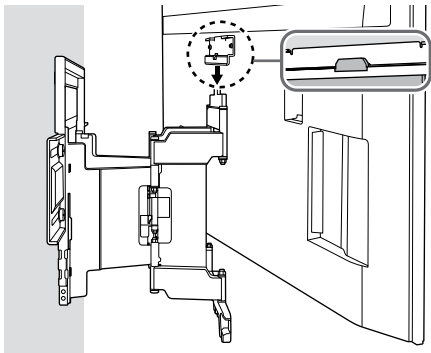
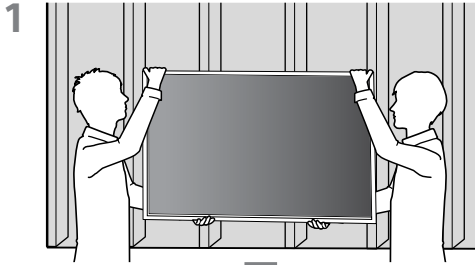


- Repita o passo anterior e remova o outro lado do Suporte de Mesa do Televisor.

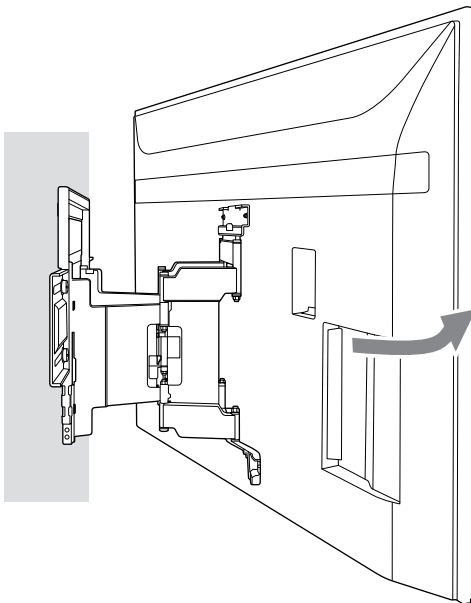
Nota

- Três ou mais pessoas são necessárias para desencaixar o Suporte de Mesa do televisor.
- Tenha cuidado para não exercer demasiada força enquanto desencaixa o Suporte De Mesa do Televisor, pois pode causar a queda do televisor e resultar em ferimentos pessoais ou danos físicos ao televisor.
- Tenha cuidado quando manuseia o Suporte de Mesa do Televisor para prevenir danos ao televisor.
- Tenha cuidado ao levantar o televisor, pois o Suporte de Mesa do Televisor é desencaixado, o Suporte de Mesa do Televisor pode cair e provocar ferimentos pessoais.
- Tenha cuidado ao remover o Suporte de Mesa do Televisor para evitar que caia e danifique a superfície onde se encontra o televisor.

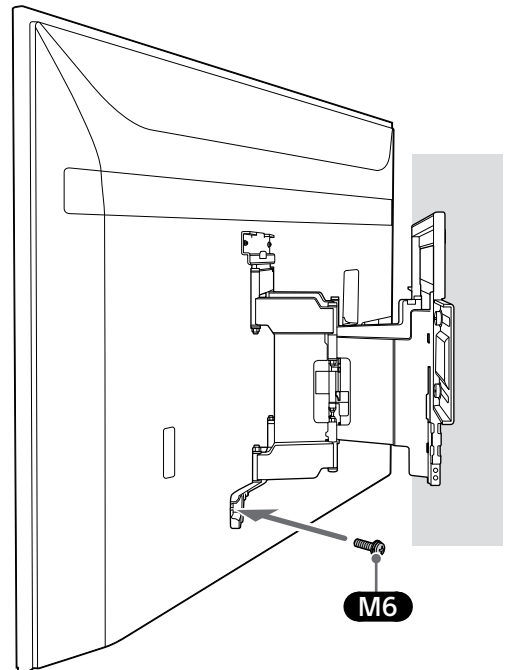
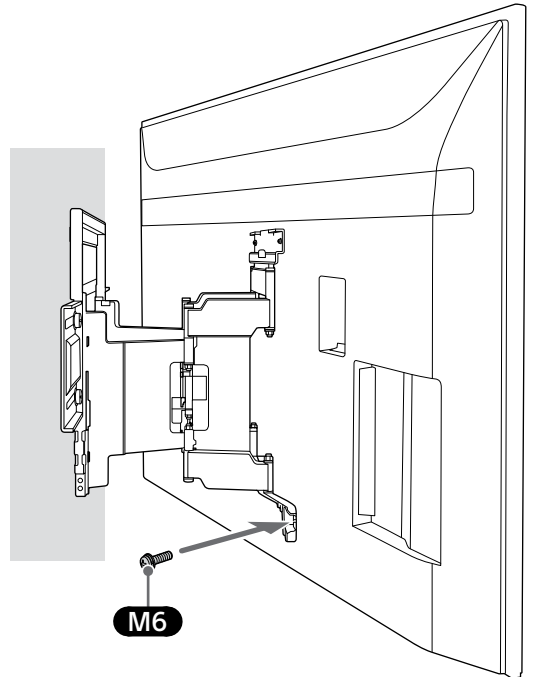
Instalação do televisor na parede



2

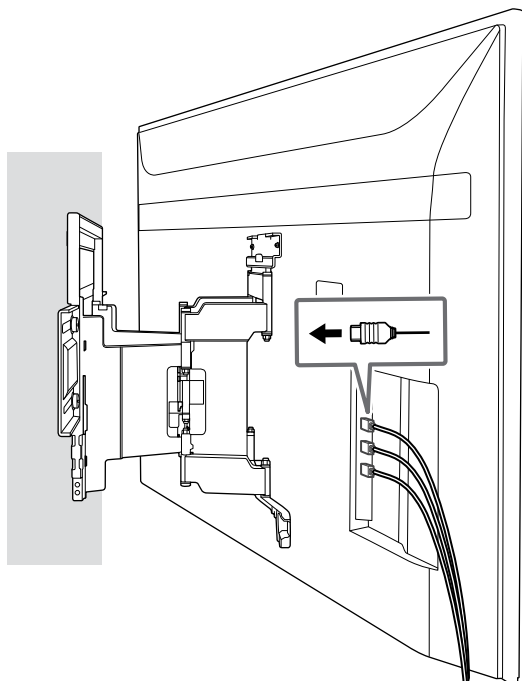


3 Aparafuse os lados esquerdo e direito do Suporte de parede.



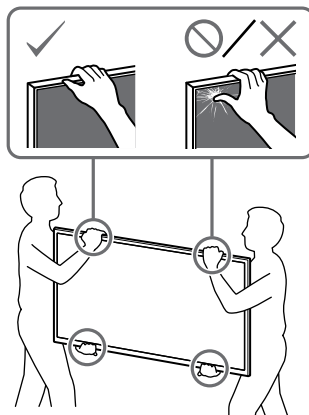
PT

4

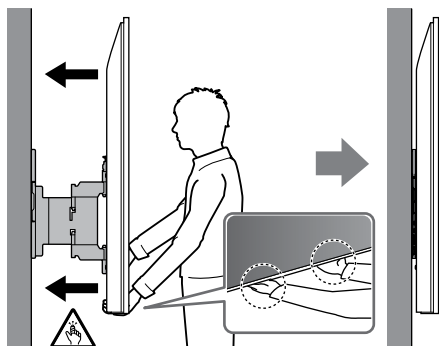


AVISO

- Certifique-se que duas ou mais pessoas (três ou mais pessoas para televisor de 75 polegadas e acima) seguram o televisor quando o transportam.



5 Quando deslocar o Televisor, segure-o com firmeza pela base.



Confirmar a conclusão da instalação

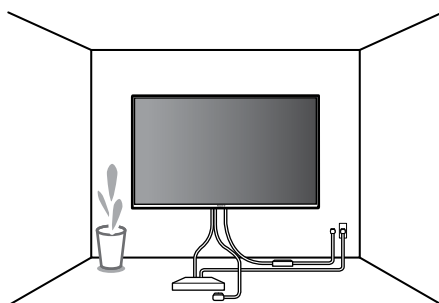
Verifique os seguintes pontos.

- Os cabos de alimentação e ligação não estão dobrados nem trilhados.

AVISO

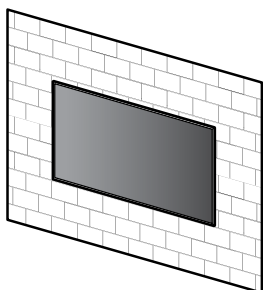
- A instalação incorreta do cabo de alimentação CA, etc., pode provocar um incêndio ou choque elétrico devido a um curto-circuito. Verifique se a instalação está terminada, por medida de segurança.

6

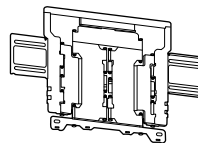


B Instalar o Suporte de parede numa parede de betão armado ou blocos de betão

Betão armado ou blocos de betão



WM1

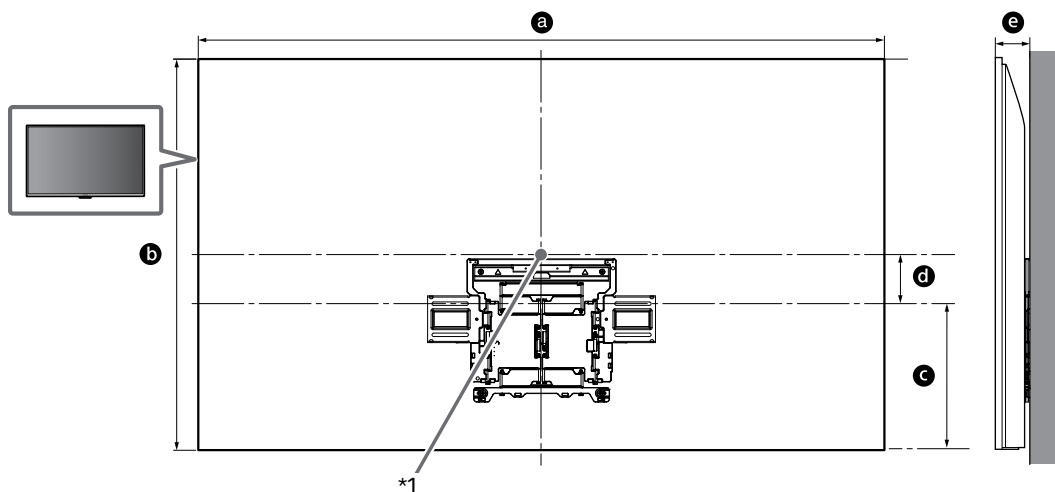


Instalar o Suporte de parede na parede

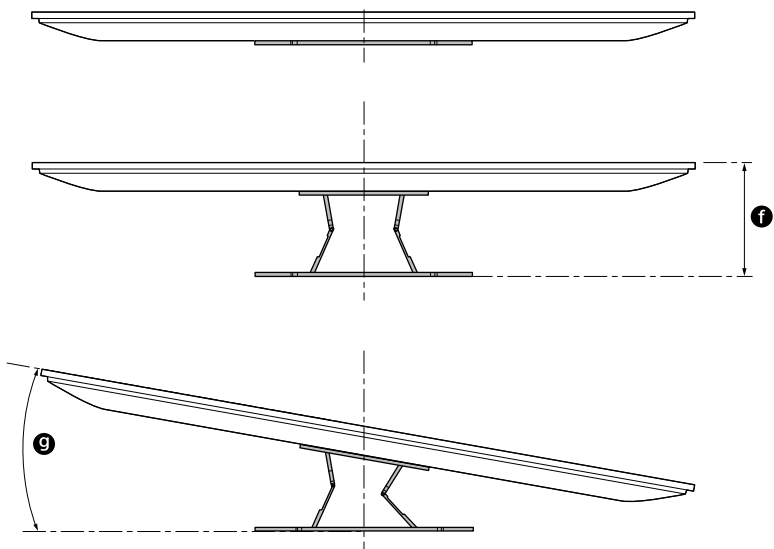
1 Decida sobre a localização da instalação.

Certifique-se de que a parede tem espaço suficiente para o televisor e que consegue suportar o quádruplo do peso do televisor.

Consulte a tabela seguinte relativa à instalação do televisor numa parede. Consulte o Guia de referência do televisor para saber qual é o peso do televisor.



PT



(mm)

Nome do modelo	a	b	c	d	e	f*2	g*2 (°)
KD-75XH80xx	1.686	969	364	123	86	288	15
KE-75XH80xx							
KD-65XH81xx	1.462	841	365	59	83	287	18
KE-65XH81xx							
KD-65XH80xx							
KE-65XH80xx							
KD-55XH81xx	1.243	718	365	3	83	287	20
KE-55XH81xx							
KD-55XH80xx							
KE-55XH80xx							

Tabela de dimensões de instalação (mm) do televisor

Os números da tabela podem variar ligeiramente dependendo da instalação.

*1 (Ponto central do ecrã)

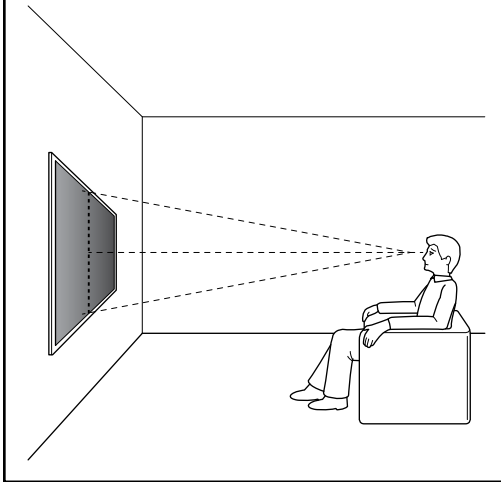
*2 (Aprox.)

Nota

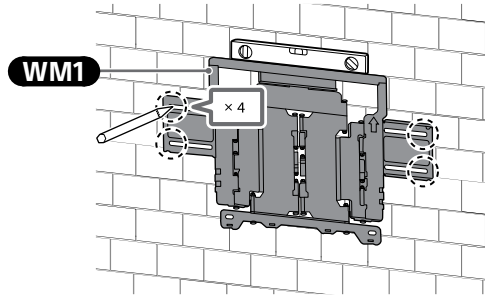
- Quando o televisor estiver instalado na parede, a parte superior do televisor ficará ligeiramente inclinada para a frente.

Nota

- Recomendamos que verifique a posição do Televisor no ambiente de visualização.

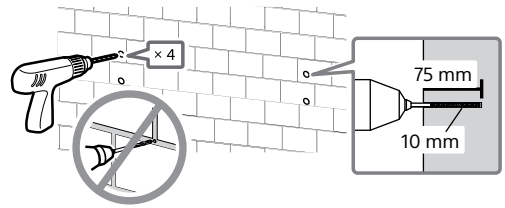


2 Alinhe a peça **WM1** na parede e faça quatro marcas.

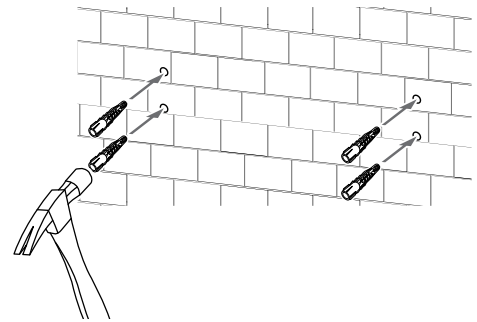
**Nota**

- Utilize um nível para verificar se o **WM1** está nivelado.

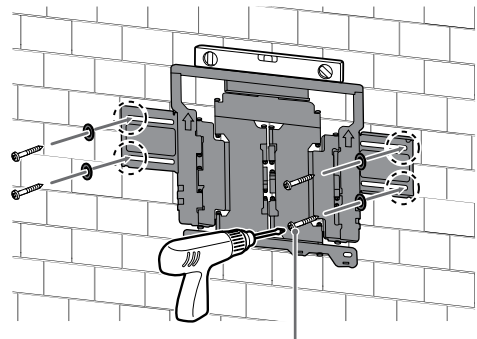
3 Perfure orifícios piloto nas marcas.



4



5 Instale a peça **WM1** na parede com os parafusos adequados (não fornecidos) e as anilhas (não fornecidas).



8 mm × 60 mm

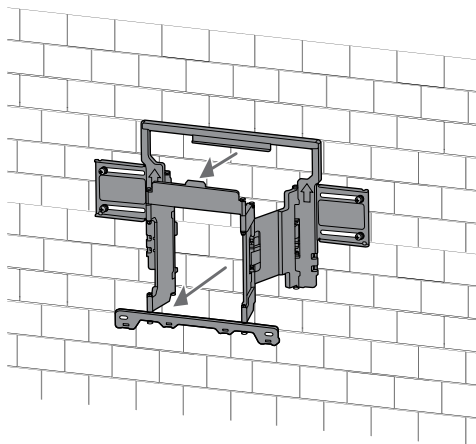
Nota

- Utilize um nível para verificar se o Suporte de parede está nivelado.

Precaução

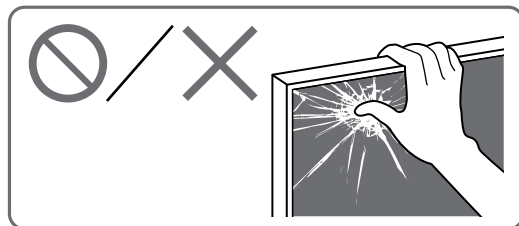
- Não aperte excessivamente o parafuso de madeira de 8 mm × 60 mm. Um aperto incorreto pode reduzir a capacidade de sustentação do parafuso de madeira de 8 mm × 60 mm.

- 6 Estenda totalmente os braços do suporte.

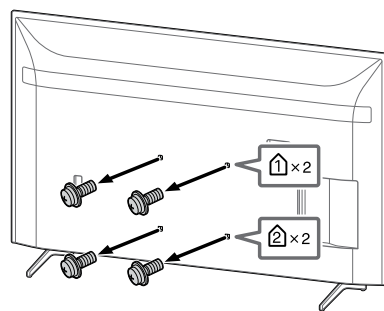


Preparar a instalação do televisor

Certifique-se de que fixa o Suporte de mesa antes de instalar o Televisor na parede, consultando o Guia de configuração.



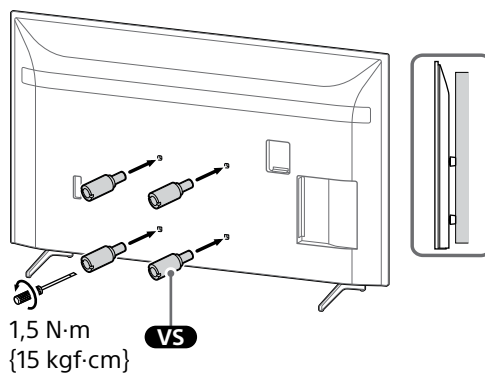
- 1 Remova os parafusos da parte de trás do televisor.



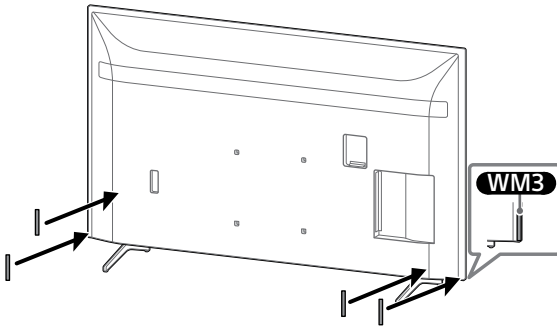
Nota

- Certifique-se de que guarda os parafusos retirados e peças não utilizadas num lugar seguro e fora do alcance de crianças.

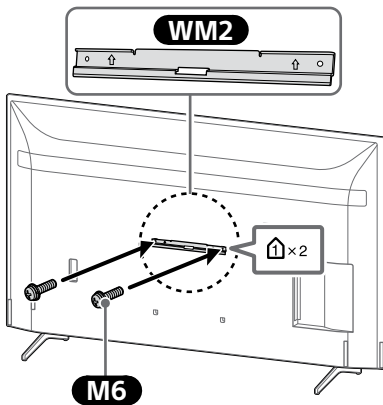
- 2 Instale a fixação de parede (fornecida com o televisor) à parte de trás do televisor (para ficar paralelo à parede).



3 Instale o WM3.

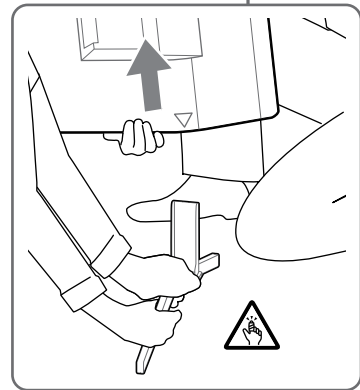
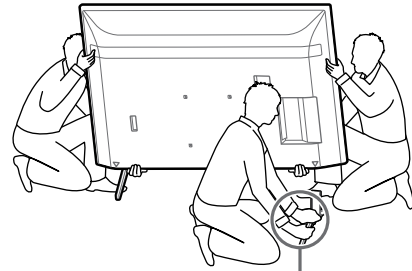


4 Instale a peça WM2 no Televisor com os parafusos M6.



5 Separe o Suporte de Fixação para Mesas do televisor.

- Remova um lado do Suporte de Mesa do Televisor de cada vez. Firmemente segure no Suporte de Mesa do Televisor com ambas as mãos enquanto outra pessoa levanta o televisor.

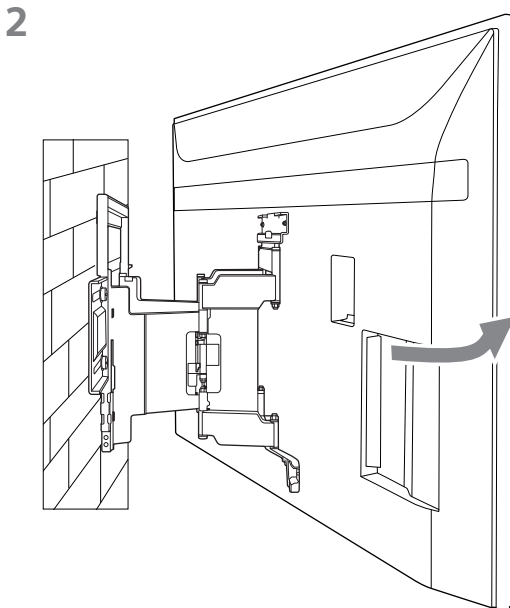
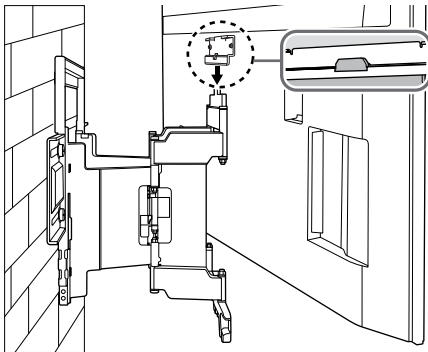
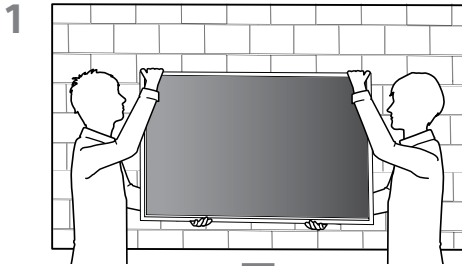


- Repita o passo anterior e remova o outro lado do Suporte de Mesa do Televisor.

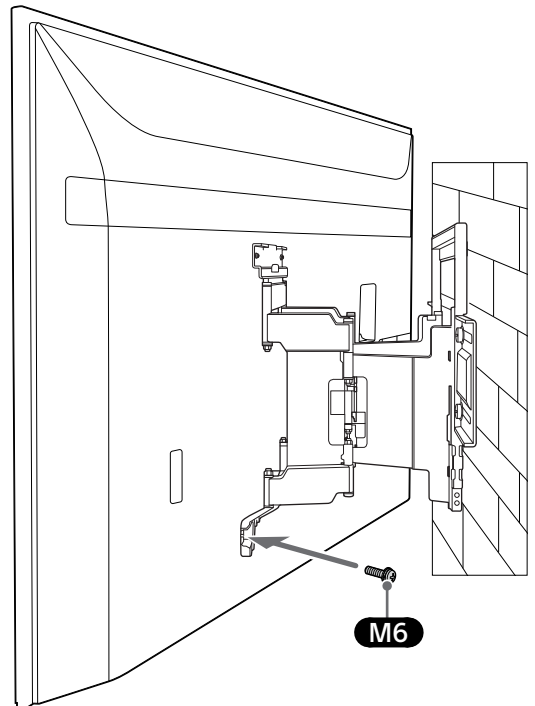
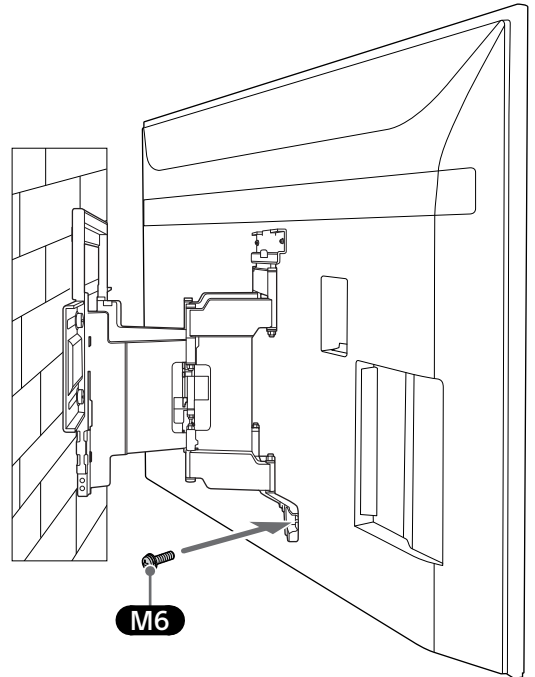
Nota

- Três ou mais pessoas são necessárias para desencaixar o Suporte de Mesa do televisor.
- Tenha cuidado para não exercer demasiada força enquanto desencaixa o Suporte De Mesa do Televisor, pois pode causar a queda do televisor e resultar em ferimentos pessoais ou danos físicos ao televisor.
- Tenha cuidado quando manuseia o Suporte de Mesa do Televisor para prevenir danos ao televisor.
- Tenha cuidado ao levantar o televisor, pois o Suporte de Mesa do Televisor é desencaixado, o Suporte de Mesa do Televisor pode cair e provocar ferimentos pessoais.
- Tenha cuidado ao remover o Suporte de Mesa do Televisor para evitar que caia e danifique a superfície onde se encontra o televisor.

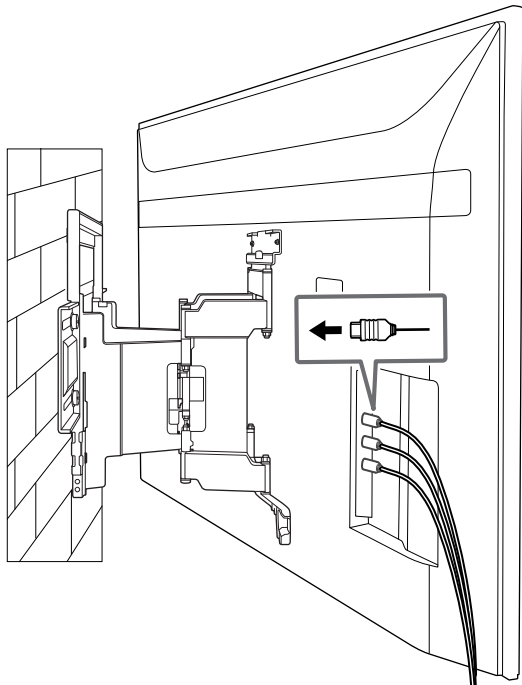
Instalação do televisor na parede



3 Aparafuse os lados esquerdo e direito do Suporte de parede.

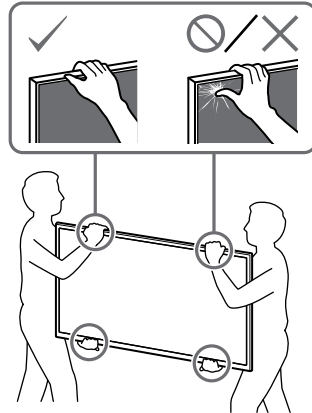


4

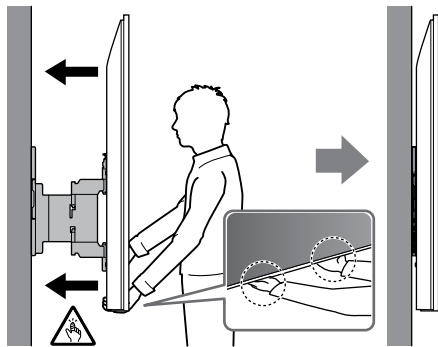


AVISO

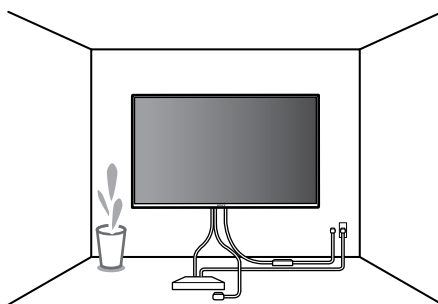
- Certifique-se que duas ou mais pessoas (três ou mais pessoas para televisor de 75 polegadas e acima) seguram o televisor quando o transportam.



5 Quando deslocar o Televisor, segure-o com firmeza pela base.



6



PT

Confirmar a conclusão da instalação

Verifique os seguintes pontos.

- Os cabos de alimentação e ligação não estão dobrados nem trilhados.

AVISO

- A instalação incorreta do cabo de alimentação CA, etc., pode provocar um incêndio ou choque elétrico devido a um curto-circuito. Verifique se a instalação está terminada, por medida de segurança.

Outras informações

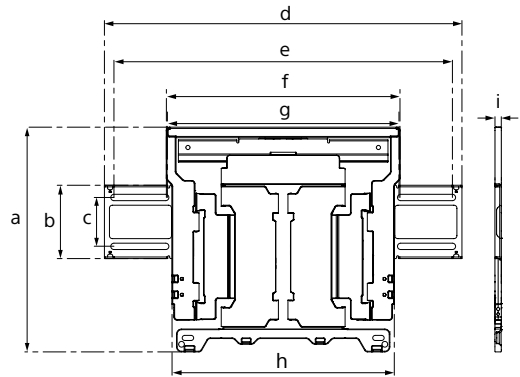
Quando remover o televisor, inverta o procedimento de instalação anterior.

AVISO

- Certifique-se que duas ou mais pessoas (três ou mais pessoas para televisor de 75 polegadas e acima) seguram o televisor quando o removem.

Especificações

WM1



Dimensões: (Aprox.) [mm]

a : 354
b : 116
c : 77
d : 563
e : 533
f : 370
g : 368
h : 350
i : 11

Peso (apenas base): (Aprox.) [kg]

3,0

O design e as especificações estão sujeitas a alterações sem aviso prévio.

Oplysninger om montering med Sonys Beslag til vægmontering (SU-WL850)

Understøttede modeller*:

KD-75XH80xx / 65XH81xx / 65XH80xx / 55XH81xx / 55XH80xx
KE-75XH80xx / 65XH81xx / 65XH80xx / 55XH81xx / 55XH80xx

* "xx" i modelnavnene angiver tal og/eller tegn for den enkelte model.

Til kunder

Af hensyn til produktets og den generelle sikkerhed anbefaler Sony på det kraftigste, at monteringen af TV'et udføres af en Sony-forhandler eller en autoriseret installatør. Forsøg ikke at montere det selv.

Til Sony-forhandlere og installatører

Vær opmærksom på sikkerheden under montering, vedligeholdelse og eftersyn af produktet.

Installation af dette produkt kræver visse forudsætninger, især for at finde ud af, om væggen kan bære TV'ets vægt. Monteringen af dette produkt skal udføres af en Sony-forhandler eller autoriseret installatør under hensyntagen til sikkerheden. Sony er ikke ansvarlig for beskadigelse eller personskade, der opstår som følge af forkert håndtering eller forkert montering.

For sikker og korrekt installation, følg vejledningen til beslag til vægmontering, TV-installationsvejledningen og retningslinjerne i denne manual.

Beslag til vægmontering

Om sikkerhed

Tak, fordi du har købt dette produkt.

Til kunder

Vægmontering af TV'et



ADVARSEL

KRÆVER PROFESSIONEL MONTERING

Dette produkt må kun monteres af en professionel installatør, som er uddannet i at fastlægge styrken af væggen i forhold til TV'ets vægt. Hvis det ikke fastgøres korrekt under monteringen, kan TV'et falde ned og forårsage alvorlige kvæstelser. Sony påtager sig intet ansvar for skader eller kvæstelser forårsaget af forkert håndtering eller forkert montering, eller for montering af andet end det specificerede produkt. Dine eventuelle lovsikrede rettigheder påvirkes ikke.

Til Sony-forhandlere

Installation af dette produkt kræver visse forudsætninger. Læs denne vejledning grundigt for at udføre monteringen på sikker vis. Sony kan ikke holdes ansvarlig for personskader eller materielle skader forårsaget af ukorrekt behandling eller montering. Giv denne vejledning til kunden efter monteringen.

Denne monteringsvejledning beskriver korrekt håndtering af produktet og de vigtigste forholdsregler, som er nødvendige for at forhindre ulykker. Det er dit ansvar at læse, forstå og følge alle instruktioner i denne betjeningsvejledning. Undladelse af at gøre dette kan resultere i alvorlige kvæstelser eller tingsskade og kan ugyldiggøre garantien. Gem vejledningen til senere brug.

Sonys produkter er udformet med henblik på at opnå bedst mulig sikkerhed. Hvis produkterne anvendes forkert, kan det medføre alvorlig personskade som følge af brand, elektrisk stød, eller fordi produktet vælter eller falder ned. Undgå sådanne ulykker ved at overholde sikkerhedsforskrifterne.

FORSIGTIG

Specificerede produkter

Dette beslag til vægmontering kan kun bruges til montering af de ovenfor nævnte produkter. Se den tilhørende "Referencevejledning" til dit TV for at kontrollere, at beslaget til vægmontering kan anvendes.

Til kunder

ADVARSEL

Hvis følgende forholdsregler ikke overholdes, kan det medføre alvorlig personskade eller død som følge af brand, elektrisk stød, eller fordi produktet vælter eller falder ned.

Monteringen skal udføres af en autoriseret installatør. Børn må ikke være i nærheden under monteringen.

Hvis beslaget til vægmontering eller TV'et ikke monteres korrekt, kan der ske følgende ulykker. Lad en autoriseret installatør udføre monteringen.

- TV'et kan falde ned og forårsage alvorlige skader, f.eks. blå mærker eller brud.
- Hvis den væg, hvor beslaget til vægmontering er monteret, er ustabil, skæv eller ikke står vinkelret på gulvet, kan enheden falde ned og forårsage personskade eller materiel skade. Væggen skal være i stand til at bære en vægt på mindst seks gange TV'ets vægt. (Se dit TV's "Referencevejledning" vedrørende TV'ets vægt.)
- Hvis monteringen af beslaget til vægmontering ikke er solid nok, kan enheden falde ned og forårsage personskade eller materiel skade.

Flytning eller afmontering af TV'et skal udføres af en autoriseret installatør.

Hvis TV'et flyttes eller afmonteres af ikke-autoriserede personer, kan det falde ned og forårsage personskade eller materiel skade. Sørg for, at der er mindst to personer (tre eller flere personer til TV på 75 tommer og derover) til at bære eller afmontere TV'et.

Du må ikke fjerne skruer osv., når TV'et er monteret.

Hvis du gør dette, kan TV'et falde ned og forårsage personskade eller materiel skade.

Foretag ikke ændringer på beslaget til vægmontering.

Hvis du gør det, kan beslaget til vægmontering falde ned og forårsage personskade eller materiel skade.

Monter ikke andet udstyr end det specificerede produkt.

Dette beslag til vægmontering er udviklet til kun at bruges sammen med det specificerede produkt. Hvis du monterer andet udstyr end det specificerede, kan det falde ned eller gå i stykker og forårsage personskade eller materiel skade.

Monter ikke nogen anden belastning end TV'et på beslaget til vægmontering. Ryst ikke TV'et mod venstre/højre, op/ned.

Hvis du gør dette, kan TV'et falde ned og forårsage personskade eller materiel skade.

Du må ikke læne dig ind over TV'et eller hænge i det.

Du må ikke læne dig ind over TV'et eller hænge i det, da det kan falde ned og forårsage alvorlig personskade.

FORSIGTIG

Hvis følgende forholdsregler ikke overholdes, kan der opstå materiel skade eller personskade.

- Vær omhyggelig med ikke at få fingrene i klemme, når du håndterer beslaget til vægmontering eller drejer TV'et.
- Vær forsigtig, når TV'et drejres, så det ikke kommer til at ramme andre.
- Sørg for at opbevare de ikke-anvendte dele på et sikkert sted til fremtidig brug. Hold dem på afstand af børn.

Håndter produktet forsigtigt under rengøring og vedligeholdelse.

Du må ikke trykke hårdt ind på forsiden af TV'et. Hvis du gør dette, kan TV'et falde ned og forårsage personskade eller materiel skade.

Sikkerhedsforanstaltninger

- Hvis du bruger TV'et monteret på beslaget til vægmontering gennem længere tid, kan væggen bag ved eller oven over TV'et blive misfarvet, eller tapetet kan løsne sig, afhængigt af det materiale, væggen er lavet af.
- Hvis beslaget til vægmontering fjernes efter montering på væggen, bliver skruenhullerne tilbage.
- Du må ikke bruge beslaget til vægmontering på et sted, hvor det udsættes for mekaniske vibrationer.

Montering af beslaget til vægmontering

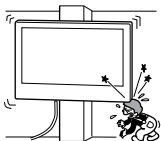
Til Sony-forhandlere

ADVARSEL

Følgende anvisninger er kun til Sony-forhandlere. Sørg for at læse ovennævnte sikkerhedsforskrifter grundigt, og vær særlig opmærksom på sikkerheden under montering, vedligeholdelse, kontrol og reparation af dette produkt.

Monter ikke beslaget til vægmontering på flader, hvor TV'ets hjørner eller sider stikker frem.

Monter ikke beslaget til vægmontering på flader, f.eks. en søjle, hvor TV'ets hjørner eller sider stikker frem. Hvis en person eller genstand støder imod TV'ets fremspringende hjørne eller side, kan det medføre personskaade eller materiel skade.

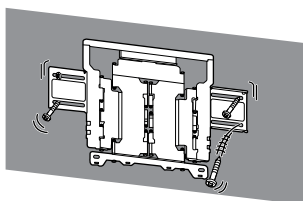


Du må ikke montere TV'et over eller under et klima anlæg.

Hvis TV'et gennem længere tid udsættes for vanddryp eller luft fra et klima anlæg, kan det medføre brand, elektrisk stød eller beskadigelse af TV'et.

Sørg for at montere beslaget til vægmontering sikkert på væggen ved at følge instruktionerne i denne brugervejledning.

Hvis nogle af skruerne er løse eller falder ud, kan beslaget til vægmontering falde ned og forårsage personskaade eller materiel skade. Sørg for at bruge skruer, der er egnet til væggen materiale, og monter enheden sikkert ved brug af fire skruer med en diameter på 8 mm (eller tilsvarende).



Sørg for at bruge de medfølgende skruer og tilhørende dele korrekt, og følg anvisningerne i denne monteringsvejledning. Hvis du bruger andre dele, kan TV'et falde ned og forårsage personskaade eller blive beskadiget.

Sørg for at samle beslaget korrekt ved at følge den procedure, der er forklaret i denne brugervejledning.

Hvis nogle af skruerne er løse eller falder ud, kan TV'et falde ned og forårsage personskaade eller blive beskadiget.

Sørg for at stramme skruerne tilstrækkeligt på den angivne position.

Hvis du ikke gør dette, kan TV'et falde ned og forårsage personskaade eller blive beskadiget.

Sørg for, at TV'et ikke udsættes for stødpåvirkninger under monteringen.

Hvis TV'et udsættes for stødpåvirkninger, kan det falde ned og gå i stykker. Dette kan forårsage personskaade.

Sørg for at montere TV'et på en væg, der er plan og vinkelret på gulvet.

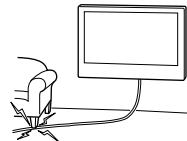
Hvis du ikke gør dette, kan TV'et falde ned og forårsage personskaade.

Sørg for at sikre kablerne forsvarligt efter korrekt montering af TV'et.

Hvis mennesker eller genstande bliver viklet ind i kablerne, kan det forårsage personskaade eller beskadigelse af TV'et.

Du må ikke lade strømkablet eller tilslutningskablet blive klemt.

Hvis strømkablet eller tilslutningskablet er klemt mellem enheden og væggen eller bøjes eller snoes, kan ledningstrådene blive blottet og forårsage kortslutning eller strømafbrydelse. Dette kan medføre brand eller elektrisk stød.



De skruer, der skal bruges til at fastgøre beslaget til væggen, medfølger ikke.

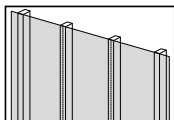
Brug skruer, der egner sig til det materiale, væggen er lavet af, når beslaget til vægmontering monteres.

Før du går i gang

Undersøg først typen af væggen, hvor TV'et skal monteres.

Hvad er din væg lavet af?

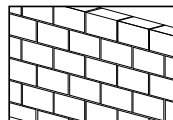
Gipsvæg med stivere



Sikkerhedsforanstaltninger

- Maksimal tykkelse af gipsvæg: 16 mm.
- Kontroller, at de indvendige stivere måler mindst 51 x 102 mm i almindeligt mål eller 38 x 89 mm nominelt.
- Hold mindst 406 mm vandret afstand mellem fastgørelseselementerne.

Massiv beton eller betonelementer



Sikkerhedsforanstaltninger

- Monter beslaget til vægmontering direkte på den massive betonavæg.
- Kontroller, at tykkelsen af den massive betonavæg er mindst 203 mm.
- Kontroller, at størrelsen på hvert betonelement er mindst 203 x 203 x 406 mm.

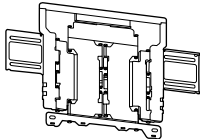

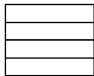

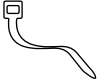
Klargøring for installation

- Sørg for at have TV-referncevejledningen og installationsvejledningen klar inden installation.
- Find TV'ets midtpunkt.
- Klargør fire skruer med 8 mm diameter og fire almindelige skiver (medfølger ikke). Vælg skruer, der passer til væggens materiale.


Kontrol af dele

Følger med SU-WL850

- Kontroller, at alle dele forefindes.



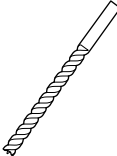
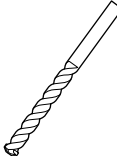
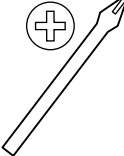






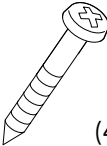
Ⓐ WM1 (1) 	Ⓑ WM2 (1) 
Ⓒ WM3 (4) 	Ⓓ M6 (4) 
Ⓔ WT1 (6) 	

Følger med TV'et

VS Tilslutning til vægmontering (4) 



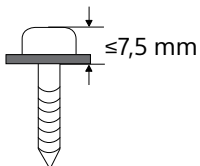
Nødvendigt værktøj

*1 	  5,5 mm  10 mm 		
*2 		 1,5 N·m {15 kgf·cm}	
*3  (4)	*2  (4)	*3  (4) 8 mm x 60 mm	

*1 Kun for gipsvæg med stivere

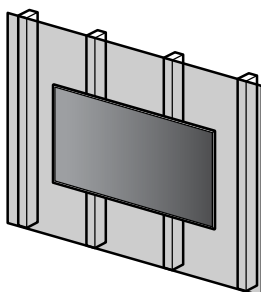
*2 Kun for massiv beton eller betonelementer

*3 Vær omhyggelig med valget af skruer og skiver

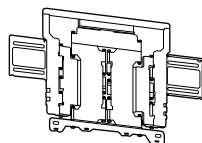


A Montering af TV på gipsvæg med stivere

Gipsvæg med stivere



WM1

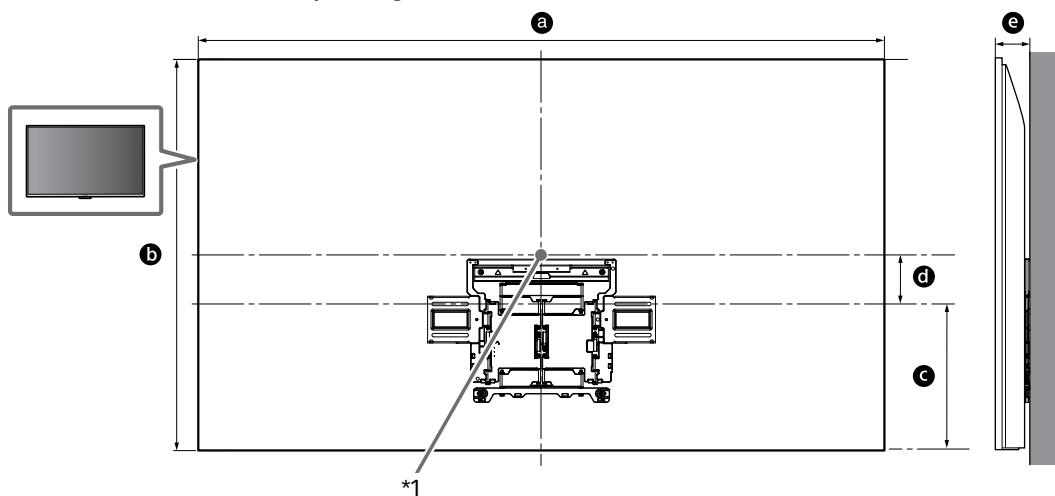


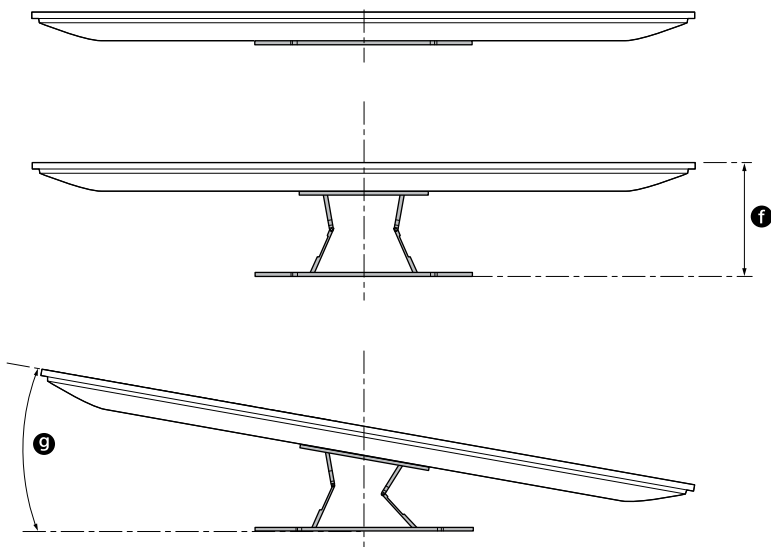
Montering af beslaget til vægmontering på væggen

1 Find TV'ets placering.

Sørg for, at der er nok plads til TV'et på væggen, og at væggen kan bære en vægt på mindst fire gange TV'ets vægt.

Se følgende tabel vedrørende montering af TV'et på væggen. Flere oplysninger om TV'ets vægt findes i TV'ets Referencevejledning.





(mm)

Modelnavn	a	b	c	d	e	f*2	g*2 (°)
KD-75XH80xx	1.686	969	364	123	86	288	15
KE-75XH80xx							
KD-65XH81xx	1.462	841	365	59	83	287	18
KE-65XH81xx							
KD-65XH80xx							
KE-65XH80xx							
KD-55XH81xx	1.243	718	365	3	83	287	20
KE-55XH81xx							
KD-55XH80xx							
KE-55XH80xx							

Tabel med TV-installationsmål (mm)

Tallene i oversigten kan variere en smule afhængigt af monteringen.

*1 (Skærmmidt punkt)

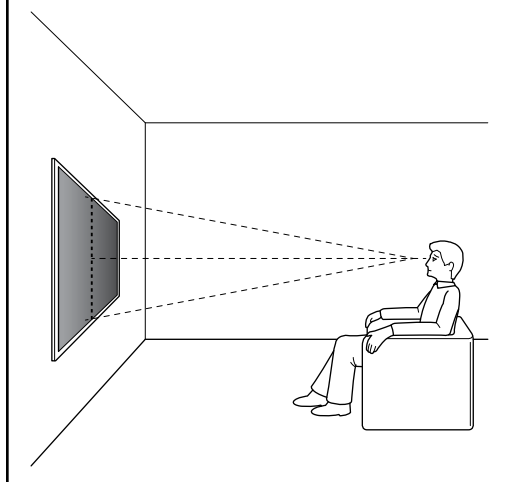
*2 (Ca.)

Bemærk

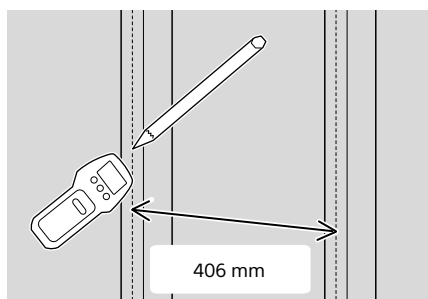
- Hvis TV'et monteres på en væg, vipper TV'ets øverste del lidt fremad.

Bemærk

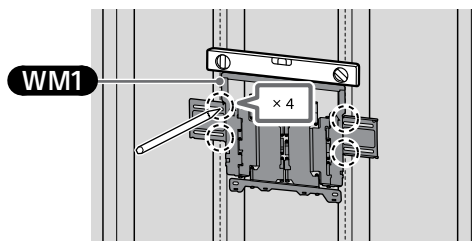
- Vi anbefaler, at du kontrollerer placeringen af TV'et i de omgivelser, det skal anvendes i.



2



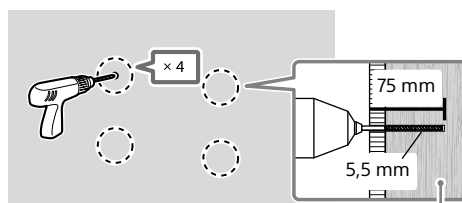
- 3 Anbring **WM1** mod væggen, juster det, og lav fire mærker ud for stiverne.



Bemærk

- Brug et vaterpas til at kontrollere, om **WM1** er i vater.

- 4 Udfør forboring ved de øverste mærker.

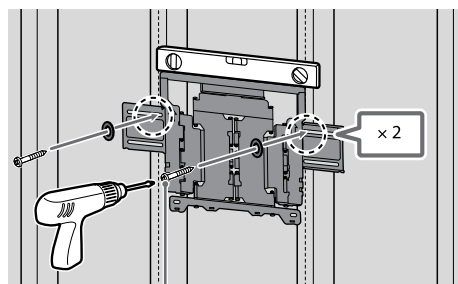


Stiver eller forstærkning

Bemærk

- Forboringen skal udføres i en dybde af 75 mm med et 5,5 mm bor.

- 5 Monter **WM1** på væggen med egnede skruer (medfølger ikke) og skiver (medfølger ikke).



8 mm x 60 mm

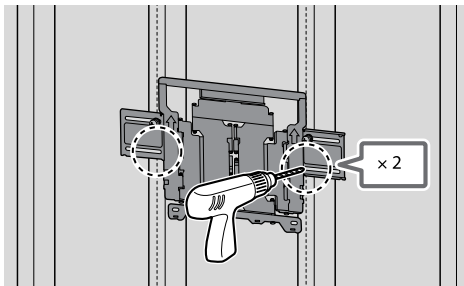
Bemærk

- Brug et vaterpas til at kontrollere, om **WM1** er i vater.

Forholdsregler

- Overspænd ikke træskruen 8 mm x 60 mm. Forkert tilspænding kan reducere træskruens 8 mm x 60 mm holdstyrke.

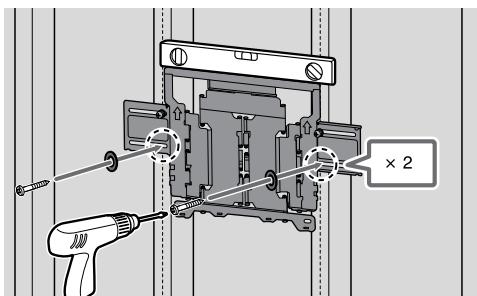
- 6 Udfør forboring ved de nederste mærker. (Se trin 4 for vejledning om boring.)



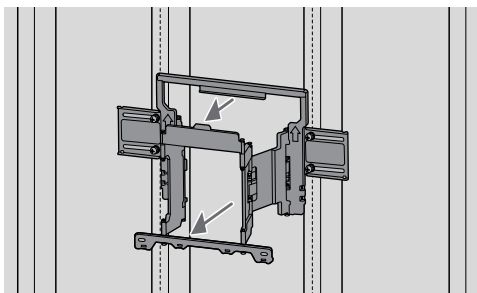
- 7 Sæt egnede skruer med skiver i hullerne.

Bemærk

- Brug et vaterpas til at kontrollere, om beslaget til vægmontering er i vater.

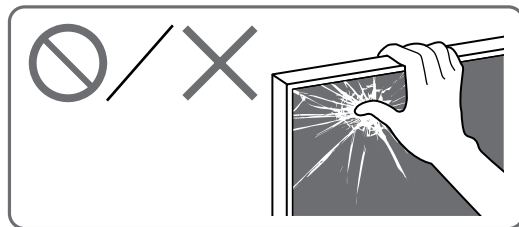


- 8 Træk armen på beslaget helt ud.

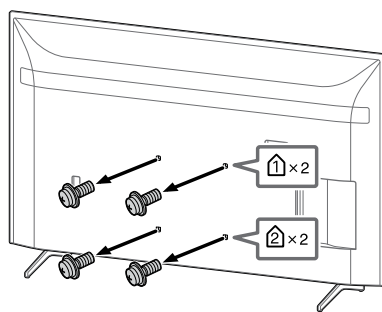


Gør klar til montering af TV'et

Sørg for at fastgøre TV-foden ifølge Installationsvejledningen, før TV'et monteres på væggen.



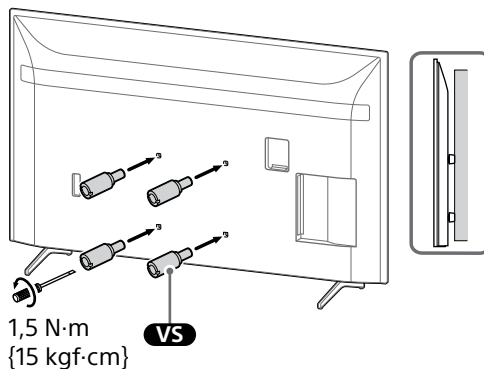
- 1 Fjern skruerne fra bagsiden af TV'et.



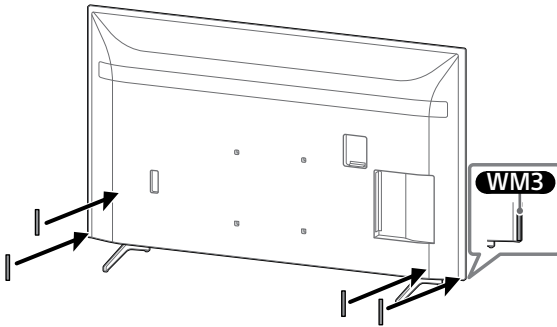
Bemærk

- Sørg for at opbevare de fjernede skruer og dele, der ikke anvendes, på et sikkert sted – utilgængeligt for børn.

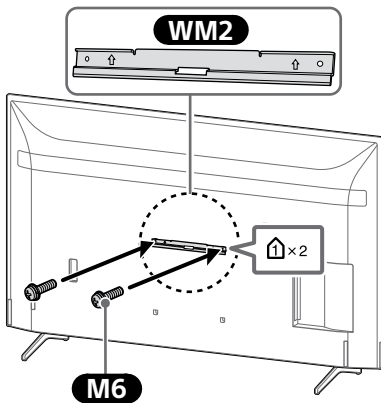
- 2 Forbind tilslutningen til vægmontering (følger med TV'et) til bagsiden af TV'et (for at gøre det parallel med muren).



3 Fastgør WM3.

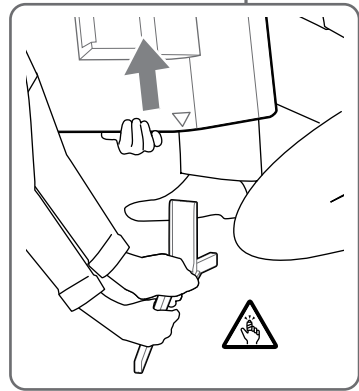
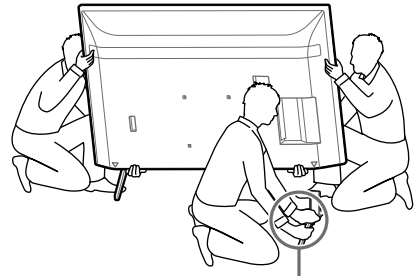


4 Sæt WM2 på TV'et ved hjælp af M6.



5 Afmonter TV'ets TV-fod.

- Fjern én side af TV-foden af gangen. Hold godt fast på TV-foden med begge hænder, mens de andre personer løfter TV'et op.

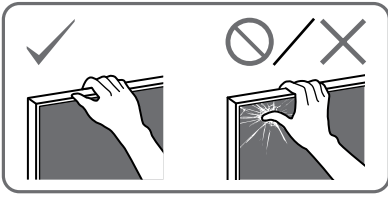


- Gentag foregående trin og fjern den anden side af TV-foden.

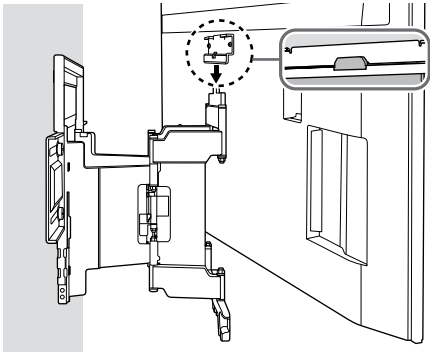
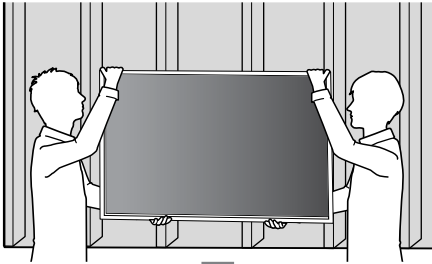
Bemærk

- Der kræves tre eller flere personer til at afmontere TV-foden.
- Vær forsigtig og brug ikke unødigt kraft ved afmontering af TV-foden fra TV'et da det kan forårsage at TV'et falder, hvilket kan resultere i tilskadekomst af personer eller fysisk skade på TV'et.
- Vær forsigtig ved håndtering af TV-foden for at undgå at beskadige TV'et.
- Vær forsigtig når du løfter TV'et, når TV-foden er afmonteret, da TV-foden kan vælte og forårsage personskade.
- Vær forsigtig, når du fjerner TV-foden fra TV'et for at forhindre, at det vælter og beskadiger overfladen, som TV'et er placeret på.

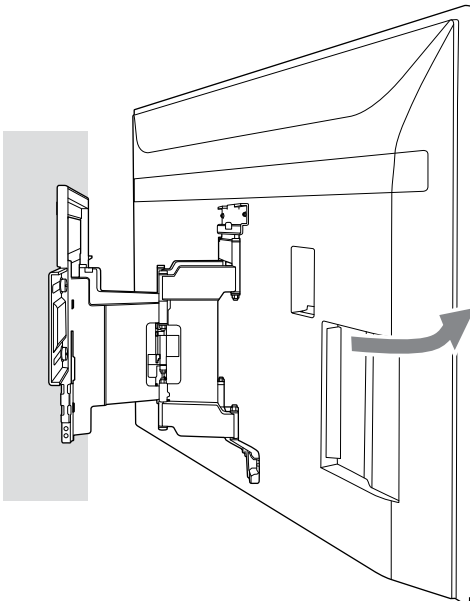
Vægmontering af TV'et



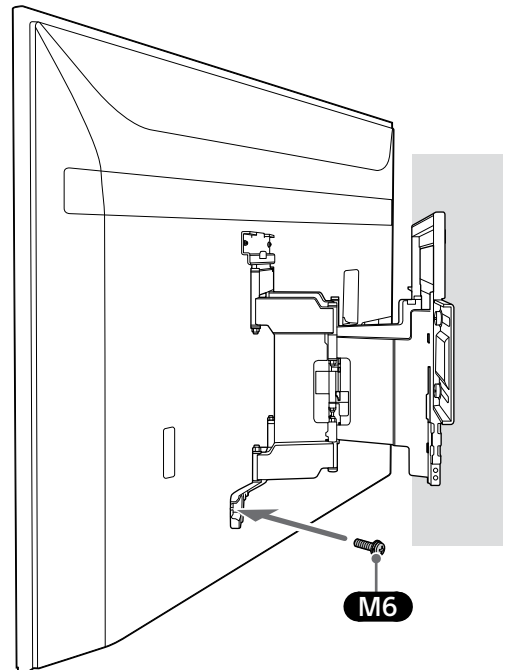
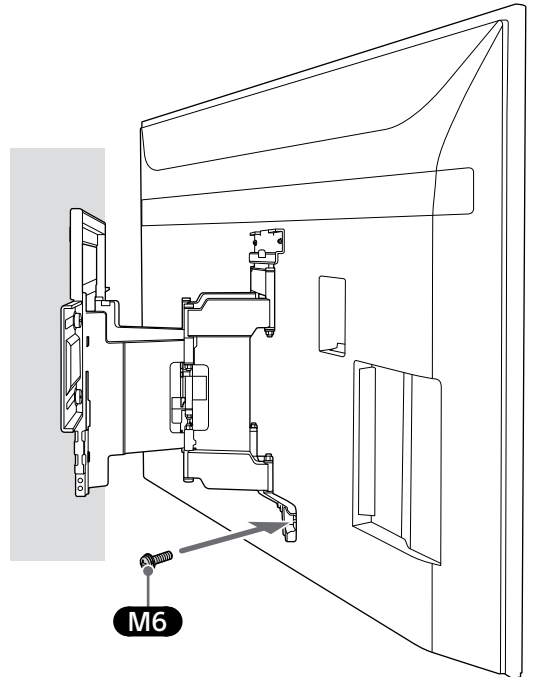
1



2

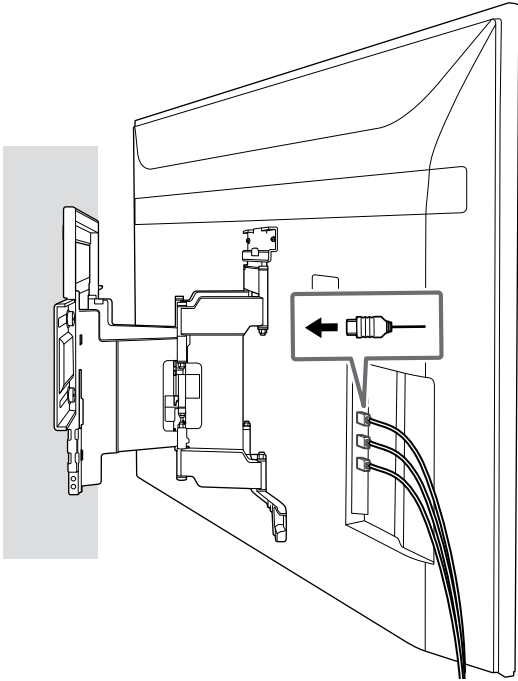


3 Skru på venstre og højre side af beslaget til vægmontering.

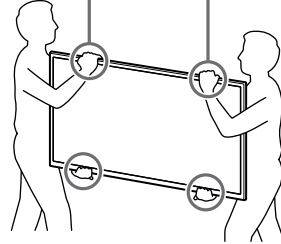


DK

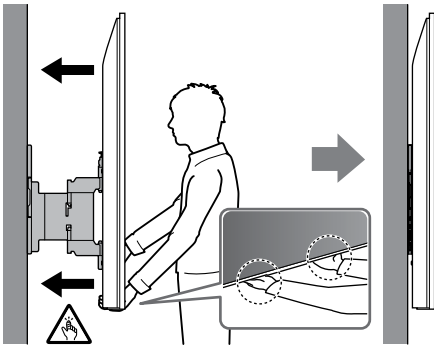
4

**ADVARSEL**

- Sørg for, at der er mindst to personer (tre eller flere personer til TV på 75 tommer og derover) til at bære TV'et.



5 Ved flytning af TV'et skal det holdes godt fast på undersiden.

**Kontroller monteringen**

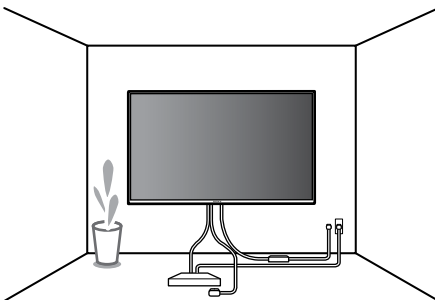
Kontroller følgende punkter.

- Ledningen og kablet må ikke være snoet eller klemt.

ADVARSEL

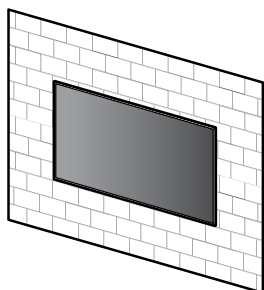
- Forkert placering af strømkablet osv. kan medføre brand eller give elektrisk stød, hvis der opstår en kortslutning. Kontroller, at monteringen er sikker.

6

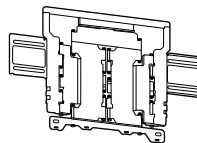


B Montering af beslaget til vægmontering på massiv beton eller betonelementer

Massiv beton eller betonelementer



WM1

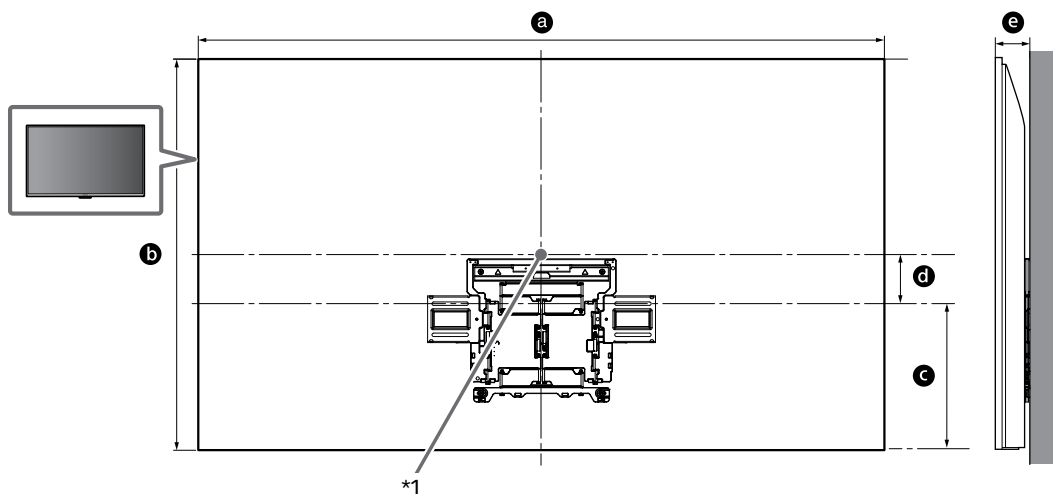


Montering af beslaget til vægmontering på væggen

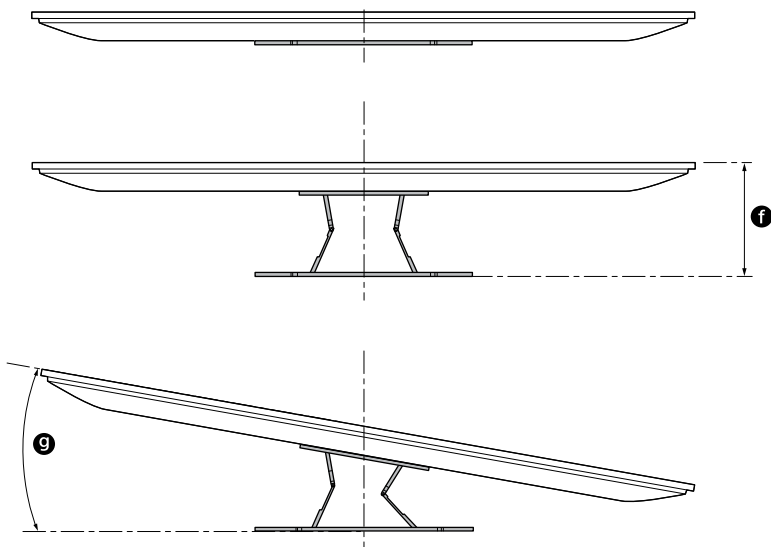
1 Find TV'ets placering.

Sørg for, at der er nok plads til TV'et på væggen, og at væggen kan bære en vægt på mindst fire gange TV'ets vægt.

Se følgende tabel vedrørende montering af TV'et på væggen. Flere oplysninger om TV'ets vægt findes i TV'ets Referencevejledning.



DK



(mm)

Modelnavn	a	b	c	d	e	f*2	g*2 (°)
KD-75XH80xx	1.686	969	364	123	86	288	15
KE-75XH80xx							
KD-65XH81xx	1.462	841	365	59	83	287	18
KE-65XH81xx							
KD-65XH80xx							
KE-65XH80xx							
KD-55XH81xx	1.243	718	365	3	83	287	20
KE-55XH81xx							
KD-55XH80xx							
KE-55XH80xx							

Tabel med TV-installationsmål (mm)

Tallene i oversigten kan variere en smule afhængigt af monteringen.

*1 (Skærmmidt punkt)

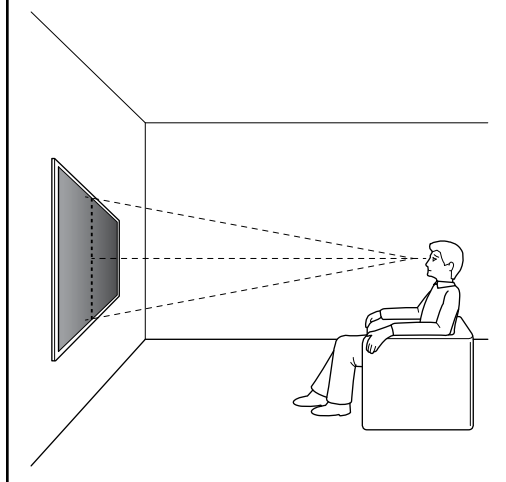
*2 (Ca.)

Bemærk

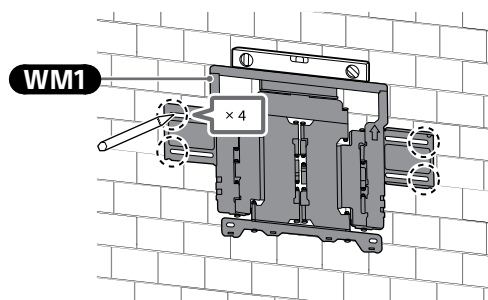
- Hvis TV'et monteres på en væg, vipper TV'ets øverste del lidt fremad.

Bemærk

- Vi anbefaler, at du kontrollerer placeringen af TV'et i de omgivelser, det skal anvendes i.



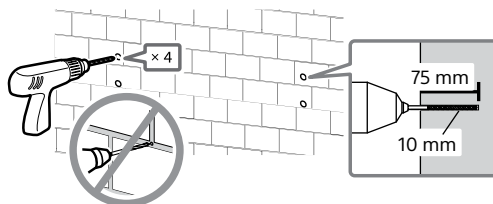
- 2 Anbring **WM1** mod væggen, og lav fire mærker.



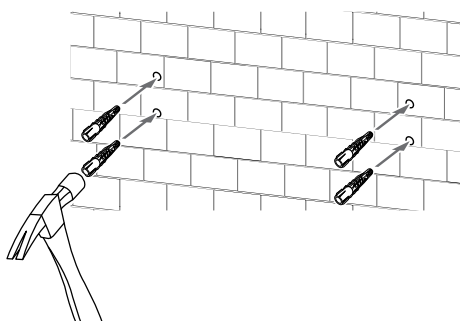
Bemærk

- Brug et vaterpas til at kontrollere, om **WM1** er i vater.

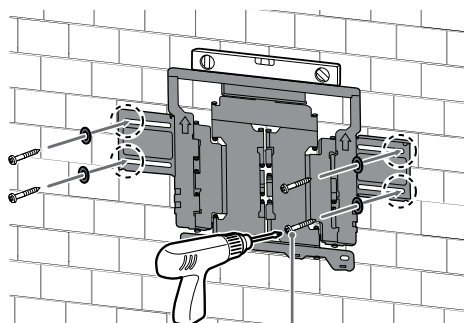
- 3 Forbor huller på mærkerne.



- 4



- 5 Monter **WM1** på væggen med egnede skruer (medfølger ikke) og skiver (medfølger ikke).



8 mm x 60 mm

Bemærk

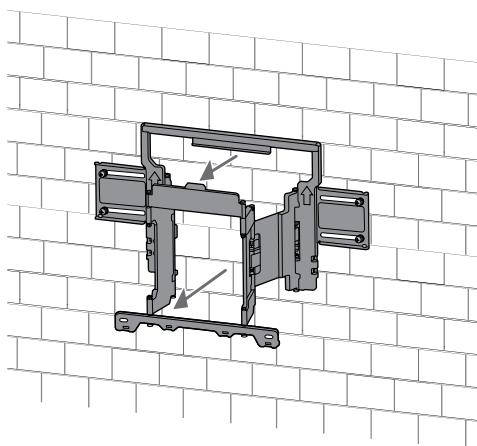
- Brug et vaterpas til at kontrollere, om beslaget til vægmontering er i vater.

Forholdsregler

- Overspænd ikke træskruen 8 mm x 60 mm. Forkert tilspænding kan reducere træskruens 8 mm x 60 mm holdestykke.

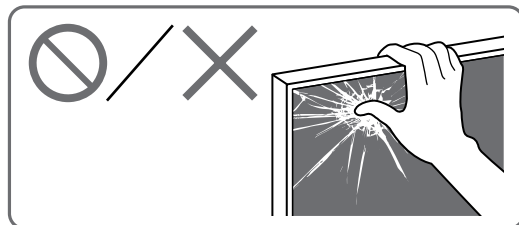
DK

6 Træk armen på beslaget helt ud.

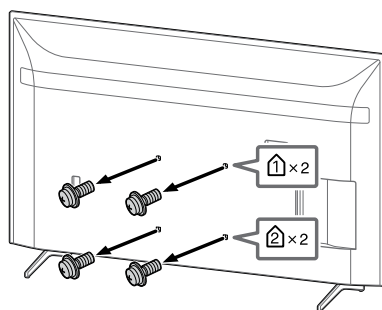


Gør klar til montering af TV'et

Sørg for at fastgøre TV-foden ifølge Installationsvejledningen, før TV'et monteres på væggen.



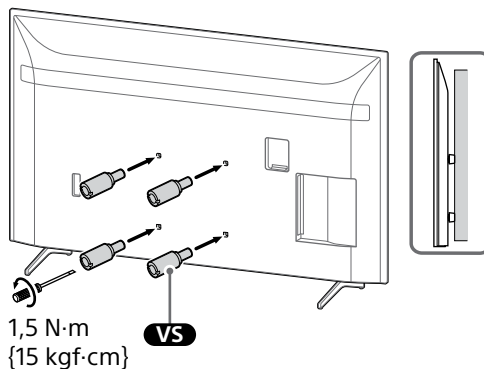
1 Fjern skruerne fra bagsiden af TV'et.



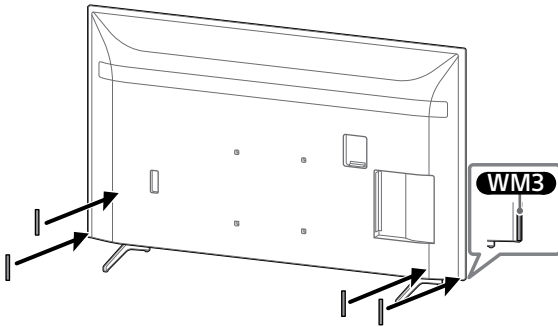
Bemærk

- Sørg for at opbevare de fjernede skruer og dele, der ikke anvendes, på et sikkert sted – utilgængeligt for børn.

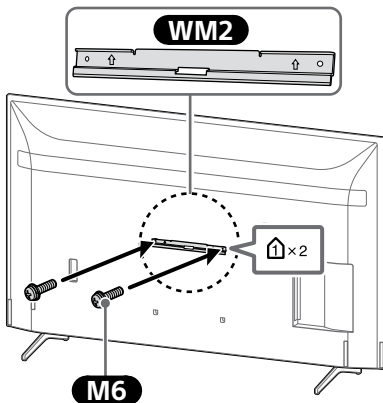
2 Forbind tilslutningen til vægmontering (følger med TV'et) til bagsiden af TV'et (for at gøre det parallel med muren).



3 Fastgør WM3.

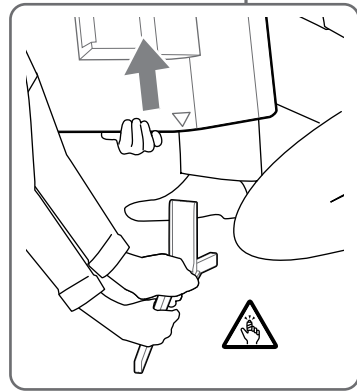
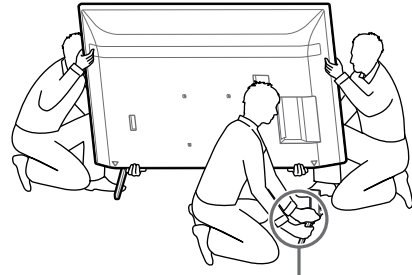


4 Sæt WM2 på TV'et ved hjælp af M6.



5 Afmonter TV'ets TV-fod.

- Fjern én side af TV-foden af gangen. Hold godt fast på TV-foden med begge hænder, mens de andre personer løfter TV'et op.



- Gentag foregående trin og fjern den anden side af TV-foden.

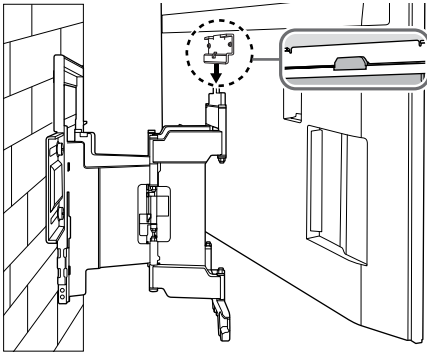
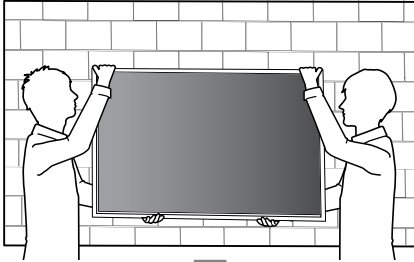
Bemærk

- Der kræves tre eller flere personer til at afmontere TV-foden.
- Vær forsigtig og brug ikke unødigt kraft ved afmontering af TV-foden fra TV'et da det kan forårsage at TV'et falder, hvilket kan resultere i tilskadekomst af personer eller fysisk skade på TV'et.
- Vær forsigtig ved håndtering af TV-foden for at undgå at beskadige TV'et.
- Vær forsigtig når du løfter TV'et, når TV-foden er afmonteret, da TV-foden kan vælte og forårsage personskade.
- Vær forsigtig, når du fjerner TV-foden fra TV'et for at forhindre, at det vælter og beskadiger overfladen, som TV'et er placeret på.

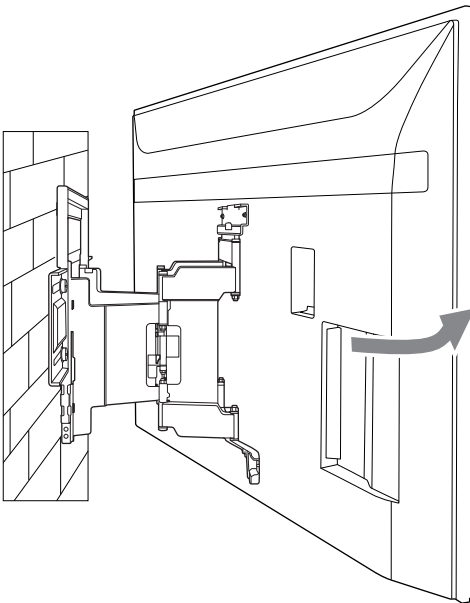
Vægmontering af TV'et



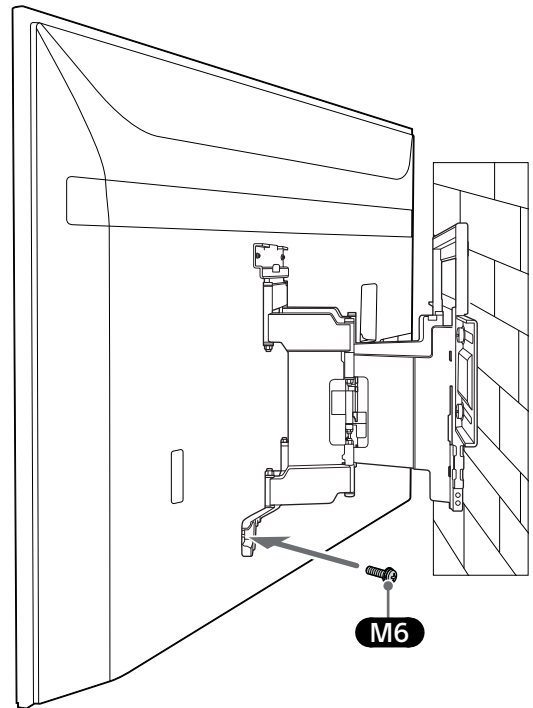
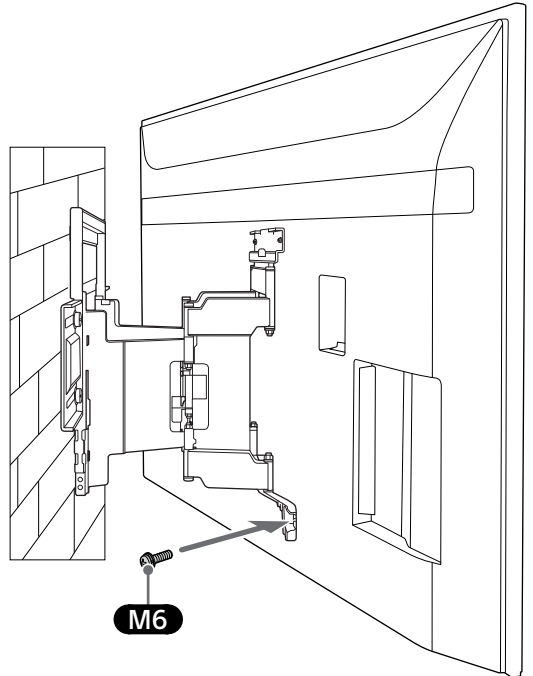
1



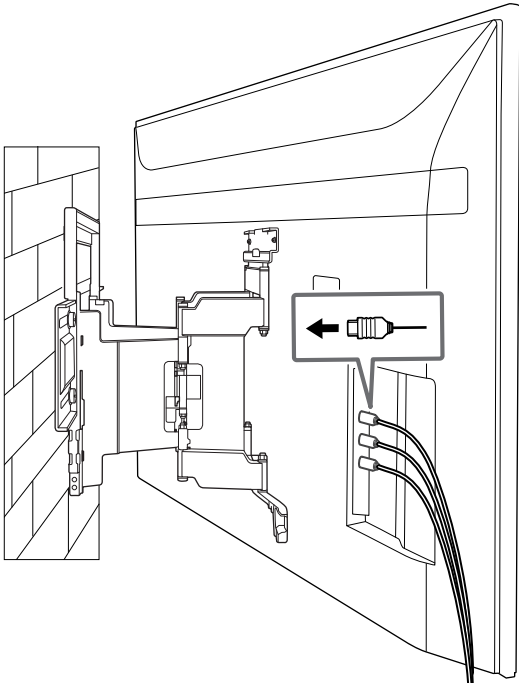
2



3 Skru på venstre og højre side af beslaget til vægmontering.

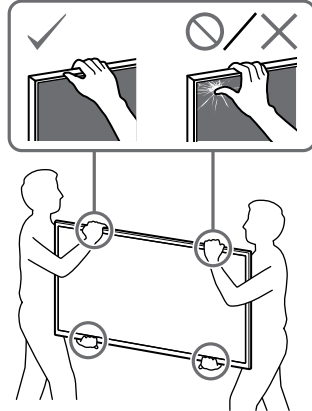


4

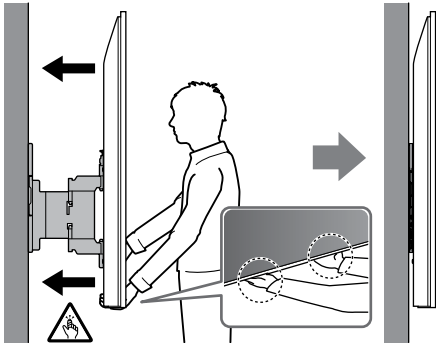


ADVARSEL

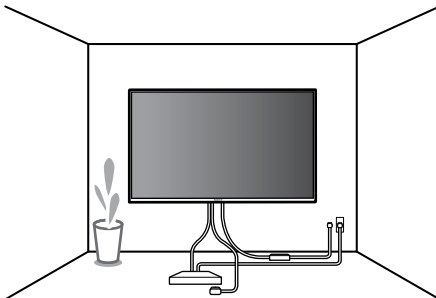
- Sørg for, at der er mindst to personer (tre eller flere personer til TV på 75 tommer og derover) til at bære TV'et.



5 Ved flytning af TV'et skal det holdes godt fast på undersiden.



6



DK

Kontroller monteringen

Kontroller følgende punkter.

- Ledningen og kablet må ikke være snoet eller klemt.

ADVARSEL

- Forkert placering af strømkablet osv. kan medføre brand eller give elektrisk stød, hvis der opstår en kortslutning. Kontroller, at monteringen er sikker.

Flere oplysninger

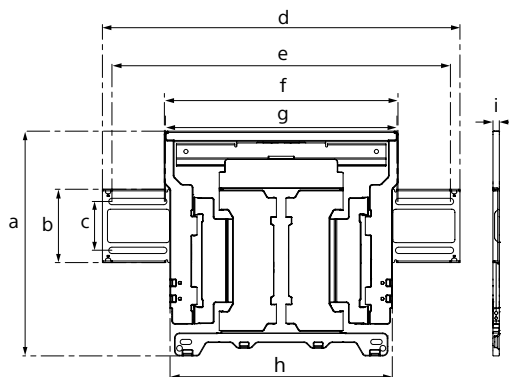
Hvis TV'et skal afmonteres, udføres monteringsproceduren i omvendt rækkefølge.

ADVARSEL

- Sørg for, at der er mindst to personer (tre eller flere personer til TV på 75 tommer og derover) til at holde TV'et, når det afmonteres.

Specifikationer

WM1



Mål: (ca.) [mm]

- a: 354
- b: 116
- c: 77
- d: 563
- e: 533
- f: 370
- g: 368
- h: 350
- i: 11

Vægt (kun base): (ca.) [kg]

3,0

Design og specifikationer kan ændres uden varsel.

Asennustiedot Sonyn seinäasennuskiinnittimen (SU-WL850) käyttämiseksi

Tuetut mallit*:

KD-75XH80xx / 65XH81xx / 65XH80xx / 55XH81xx / 55XH80xx
KE-75XH80xx / 65XH81xx / 65XH80xx / 55XH81xx / 55XH80xx

* Kyseisissä mallinimissä "xx" tarkoittaa kunkin mallin numeroita ja/tai merkkejä.

Asiakkaille

Tuotteen suojelemiseksi ja turvallisuuden vuoksi Sony suosittelee, että television asennus annetaan Sonyn jälleenmyyjän tai asiantuntevan huoltoliikkeen tehtäväksi. Älä yritä asentaa sitä itse.

Sony-jälleenmyyjille ja urakoitsijoille

Kiinnitä erityistä huomiota turvallisuuteen tämän tuotteen asennuksen, huollon ja tarkastuksen aikana.

Tämän tuotteen asentaminen edellyttää riittävää ammattitaitoa erityisesti sen määrittämiseksi, kestääkö seinä television painon. Tämän tuotteen seinään asentaminen on jätettävä Sonyn jälleenmyyjän tai huoltoliikkeen tehtäväksi ja asennuksen turvallisuuteen on kiinnitettävä riittävästi huomiota. Sony ei ole vastuussa mistään vahingosta tai vammoista, jotka johtuvat tuotteen väärästä käsittelystä tai asennuksesta.

Varmista turvallisuus ja asianmukainen asennus noudattamalla seinäasennuskiinnittimen käyttöohjeita, TV:n asetusopasta ja tämän oppaan ohjeita.

Seinäasennuskiinnitin

Turvallisuus

Kiitos, että päätit ostaa tämän tuotteen.

Asiakkaille

Television asennus seinälle



VAATII AMMATILAISEN ASENNUKSEN

Tämän tuotteen saa asentaa vain ammattimainen asentaja, joka osaa määrittää kestäväksi seinä TV:n painon. Jos TV:tä ei kiinnitetä oikein asennuksen aikana, se saattaa pudota ja aiheuttaa vakavan loukkaantumisen. Sony ei ole vastuussa vahingoista tai loukkaantumisesta, joka johtuu virheellisestä käsittelystä tai asennuksesta tai muun kuin määritetyn tuotteen asennuksesta. Tämä ei vaikuta (mahdollisiin) lakisääteisiin oikeuksiisi.

Sony-jälleenmyyjille

Tämän tuotteen asentaminen edellyttää riittävää ammattitaitoa. Lue nämä käyttöohjeet huolellisesti, jotta asennus voidaan suorittaa turvallisesti. Sony ei ole vastuussa mistään vahingosta tai vammoista, jotka johtuvat tuotteen väärästä käsittelystä tai asennuksesta. Anna tämä käyttöohje asiakkaalle asennuksen jälkeen.

Tässä käyttöohjeessa kuvataan tuotteen oikeaoppinen käsittely sekä tärkeät varotoimet onnettomuuksien estämiseksi. On käyttäjän vastuulla lukea, ymmärtää ja noudattaa kaikkia tämän käyttöoppaan ohjeita. Jos näin ei tehdä, seurauksena voi olla vakava henkilökohtainen loukkaantuminen tai omaisuusvahinkoa ja se voi mitätöidä takuun. Säilytä tämä käyttöohje tulevaa käyttöä varten.

Sonyn tuotteet on suunniteltu turvallisuutta ajatellen. Jos tuotteita käytetään väärin, seurauksena voi olla tulipalon, sähköiskun, tuotteen kaatumisen tai putoamisen aiheuttama vakava henkilövahinko. Huomioi turvallisuutta koskevat varotoimet tällaisten onnettomuuksien estämiseksi.

VAROTOIMET

Määritetyt tuotteet

Tämä seinäasennuskiinnitin on tarkoitettu käytettäväksi sille määritettyjen televisioiden kanssa. Tarkista TV:n "Viiteopas"-asiakirjasta, että seinäasennuskiinnintä voidaan käyttää.

Asiakkaille

VAROITUS

Jos seuraavia varotoimia ei noudateta, seurauksena voi olla tulipalon, sähköiskun tai tuotteen putoamisen aiheuttama vakava henkilövahinko tai kuolema.

Asennuksen saa suorittaa vain valtuutettu asentaja. Pidä lapset poissa asennusalueelta asennuksen aikana.

Jos seinäasennuskiinnintä tai televisiota ei asenneta oikein, seurauksena voi olla seuraavat onnettomuudet. Muista jättää asennus valtuutetun asentajan tehtäväksi.

- Televisio saattaa pudota ja aiheuttaa mustelmia, murtumia tai muun vakavan henkilövahingon.
- Jos seinä, johon seinäasennuskiinnitin asennetaan, on epävaka, epätasainen tai se ei ole kohtisuorassa lattiaan nähden, yksikkö saattaa pudota ja aiheuttaa henkilö- tai omaisuusvahingon. Seinän pitäisi pystyä kannattamaan vähintään kuusi kertaa TV:n painon. (Katso TV:n paino "Viiteopas"-asiakirjasta.)
- Jos seinäasennuskiinnintä ei ole asennettu seinälle tarpeeksi tukevasti, yksikkö saattaa pudota ja aiheuttaa henkilö- tai omaisuusvahingon.

Muista antaa television siirtäminen tai irrottaminen valtuutetun asentajan tehtäväksi.

Jos muut kuin valtuutetut asentavat kuljettavat tai irrottavat television, se saattaa pudota ja aiheuttaa henkilö- tai omaisuusvahingon. Varmista, että televisiota kantamassa ja irrottamassa on vähintään kaksi henkilöä (tai vähintään kolme henkilöä, jos television koko on yli 75 tuumaa).

Älä irrota ruuveja tms. television kiinnityksen jälkeen.

Jos näin tehdään, televisio saattaa pudota ja aiheuttaa henkilö- tai omaisuusvahingon.

Älä tee muutoksia seinäasennuskiinnittimen osiin.

Jos näin tehdään, seinäasennuskiinnitin saattaa pudota ja aiheuttaa henkilö- tai omaisuusvahingon.

Älä asenna muita laitteita kuin määritelty tuote.

Tämä seinäasennuskiinnitin on tarkoitettu käytettäväksi ainoastaan sille määritetyn tuotteen kanssa. Jos asennat muun kuin määritetyn laitteen, se saattaa pudota ja rikkoutua ja aiheuttaa henkilö- tai omaisuusvahingon.

Älä kohdista seinäasennuskiinnittimeen television lisäksi muuta kuormaa. Älä ravista televisiota vasemmalle/oikealle tai ylös/alas.

Jos näin tehdään, televisio saattaa pudota ja aiheuttaa henkilö- tai omaisuusvahingon.

Älä nojaa tai riipu televisiosta.

Älä nojaa tai riipu televisiosta, sillä se saattaa pudota ja aiheuttaa vakavan henkilövahingon.

VAROTOIMET

Jos seuraavia varotoimia ei noudateta, seurauksena voi olla henkilö- tai omaisuusvahinko.

- Varo, etteivät sormet jää väliin, kun käsittelet seinäasennuskiinnintä tai käännät TV:tä.
- Kun käännät TV:tä, käsittele varoen ja huolehdi, ettet osu lähellä oleviin ihmisiin.
- Muista säilyttää käyttämättömät osat varmassa tallessa tulevaa käyttöä varten. Pidä ne poissa lasten ulottuvilta.

Älä käytä liikaa voimaa tuotteen puhdistuksen tai huollon yhteydessä.

Älä paina television yläsivulta liialla voimalla. Jos näin tehdään, televisio saattaa pudota ja aiheuttaa henkilö- tai omaisuusvahingon.

Varotoimet

- Jos seinäasennuskiinnittimeen asennettua televisiota käytetään pitkään, television takana tai yläpuolella oleva seinäpinta voi värjäytyä tai tapetti irrota seinämateriaalista riippuen.
- Jos seinäasennuskiinnitin irrotetaan sen seinään asentamisen jälkeen, seinään jää ruuvinreiät.
- Älä käytä seinäasennuskiinnintä paikassa, johon kohdistuu mekaanista tärinää.

Seinäasennuskiinnittimen asentaminen

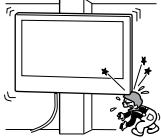
Sony-jälleenmyyjille

VAROITUS

Seuraavat ohjeet ovat ainoastaan Sony-jälleenmyyjille. Muista lukea edellä olevat turvallisuusvarotoimet ja kiinnitä erityistä huomiota turvallisuuteen tämän tuotteen asennuksen, huollon ja tarkastuksen aikana.

Älä asenna seinäasennuskiinnitintä seinäpintoihin, joissa television kulmat tai sivut ulkonevat seinäpinnasta.

Älä asenna seinäasennuskiinnitintä pylväaseen tai vastaaviin seinäpintoihin, joissa television kulmat tai sivut ulkonevat seinäpinnasta. Jos henkilö tai esine osuu television ulkonevaan kulmaan tai sivuun, seurauksena voi olla henkilö- tai omaisuusvahinko.

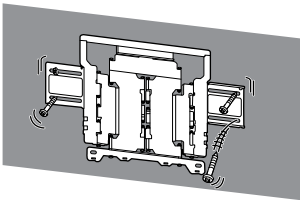


Älä asenna televisiota ilmastointilaitteen ylä- tai alapuolelle.

Jos televisio altistuu ilmastointilaitteen vesivuodoille tai ilmapirralle pitkiä aikoja, seurauksena voi olla tulipalo, sähköisku tai television toimintahäiriö.

Muista asentaa seinäasennuskiinnitin tukevasti seinään tässä käyttöohjeessa annettujen ohjeiden mukaisesti.

Jos jokin ruuveista on löysällä tai pudonnut, seinäasennuskiinnitin saattaa pudota ja aiheuttaa henkilö- tai omaisuusvahingon. Muista käyttää seinän materiaaliin sopivia ruuvit ja asenna yksikkö tukevasti neljällä ruuvit, jotka ovat halkaisijaltaan 8 mm (tai vastaavia).



Muista käyttää toimitettuja ruuveja ja kiinnitysosia oikein ja noudata tässä käyttöohjeessa annettuja ohjeita. Jos käytät korvaavia osia, televisio saattaa pudota ja aiheuttaa henkilövahingon tai vahingoittaa televisiota.

Muista koota kiinnitin oikein noudattamalla tässä käyttöohjeessa selitettyä menetelmää.

Jos jokin ruuveista on löysällä tai pudonnut, televisio saattaa pudota ja aiheuttaa henkilövahingon tai vahingoittaa televisiota.

Muista kiristää ruuvit kunnolla tarkoitettuihin kohtiin.

Jos näin ei tehdä, televisio saattaa pudota ja rikkoutua sekä aiheuttaa henkilö- tai omaisuusvahingon.

Varo kohdistamasta televisioon iskuja asennuksen aikana.

Jos televisioon kohdistuu isku, televisio saattaa pudota ja rikkoutua sekä aiheuttaa henkilö- tai omaisuusvahingon.

Televisio on asennettava seinään, joka on sekä kohtisuora että tasainen.

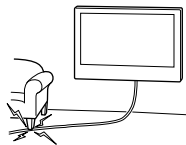
Jos näin ei tehdä, televisio saattaa pudota ja rikkoutua sekä aiheuttaa henkilö- tai omaisuusvahingon.

Kun televisio on asennettu oikein, kiinnitä kaapelit kunnolla.

Jos henkilöitä tai esineitä sotkeutuu kaapeleihin, seurauksena saattaa olla henkilövahinko tai television vahingoittuminen.

Älä anna virtajohdon ja liitäntäkaapelin jäädä puristuksiin.

Jos virtajohto tai liitäntäkaapeli jää puristuksiin laitteen ja seinän väliin tai niitä taitetaan tai kierretään voimalla, sisäiset johtimet voivat tulla näkyviin ja seurauksena on oikosulku tai katkos. Tämä voi aiheuttaa tulipalon tai sähköiskun.



Seinäasennuskiinnittimen seinäkiinnitykseen tarvittavat ruuvit eivät sisälly toimitukseen.

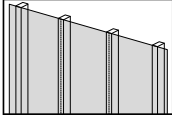
Käytä seinämateriaalille ja -rakenteelle sopivia ruuveja, kun kiinnität seinäasennuskiinnittimen.

Ennen aloittamista

Tarkista ensin seinätyyppi, johon TV asennetaan.

Mistä seinä on tehty?

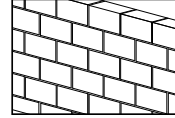
Kipsilevyseinä, jossa on koolaus



Varoimet

- Kipsilevyseinän maksimipaksuus: 16 mm.
- Varmista, että sisäisen koolauspuun koko on vähintään 51 x 102 mm yleisesti tai 38 x 89 mm nimellisesti.
- Pidä vähintään 406 mm väliä vaakasuunnassa kiinnittimien välillä.

Betoniseinä tai tiiliseinä



Varoimet

- Kiinnitä seinäasennuskiinnitin suoraan betoniseinään.
- Varmista, että betoniseinän paksuus on vähintään 203 mm.
- Varmista, että kunkin tiilen koko on vähintään 203 x 203 x 406 mm.

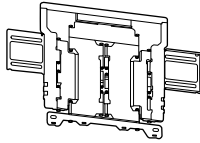

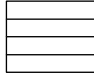

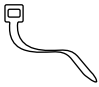
Asennuksen valmistelu

- Ota TV:n viiteopas ja asetusopas esille ennen asennusta.
- Tarkista television asennuskohta.
- Valmistele neljä ruuvia, joiden halkaisija on 8 mm, ja neljä sopivaa aluslevyä (ei sisälly toimitukseen).
Valitse seinämateriaalille sopivat ruuvit.

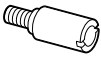
Osien tarkistaminen

Toimitetaan SU-WL850:n mukana

- Tarkista, että kaikki osat on toimitettu.



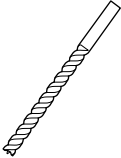
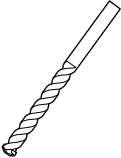
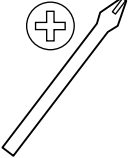




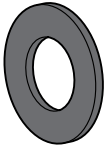

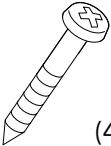
A WM1 (1) 	B WM2 (1) 
C WM3 (4) 	D M6 (4) 
E WT1 (6) 	

Toimitetaan television mukana

VS Seinäasennuksen kiinnitysosa (4) 



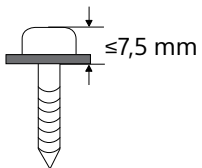
Tarvittavat työkalut

*1 	  5,5 mm  10 mm 		
*2    1,5 N·m {15 kgf·cm} 			
*3  (4)	*2  (4)	*3  (4) 8 mm x 60 mm	

*1 Vain kipsilevyseinä, jossa on koolaus

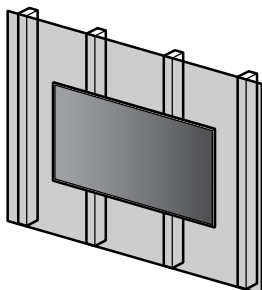
*2 Vain betoniseinä tai tiiliseinä

*3 Valitse ruuvit ja aluslevyt huolellisesti

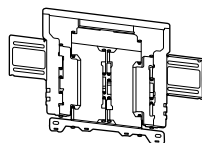


A TV:n kiinnittäminen kipsilevyseinään, jossa on koolaus

Kipsilevyseinä, jossa on koolaus



WM1

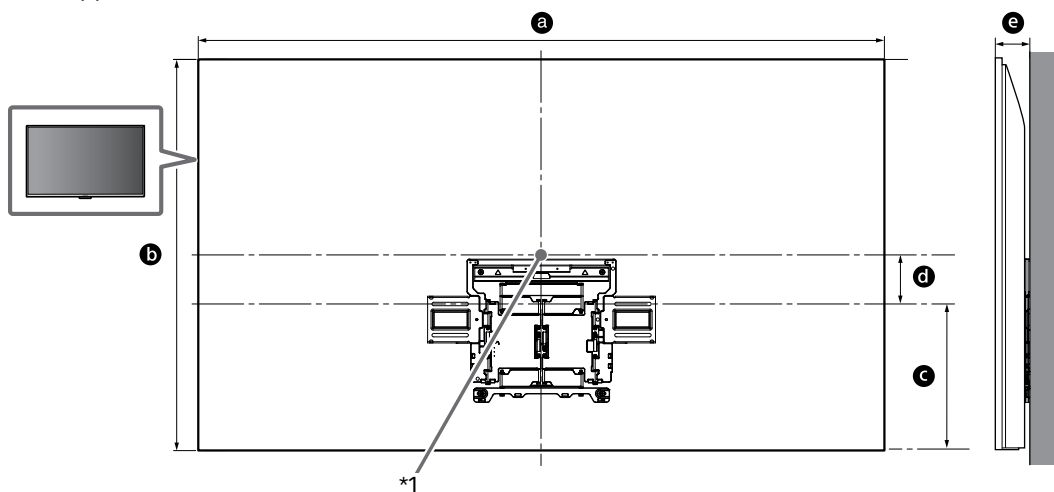


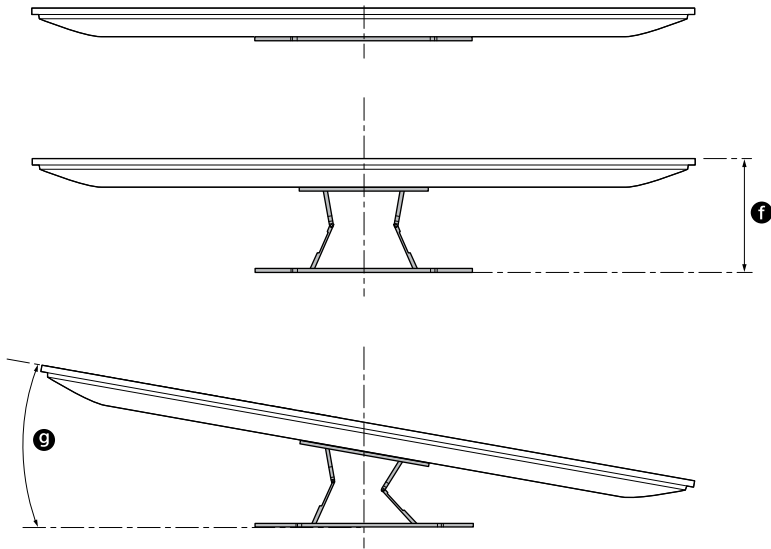
Seinäasennuskiinnittimen asentaminen seinälle

1 Määritä asennuspaikka.

Varmista, että seinä on riittävän iso televisiolle ja pystyy kantamaan vähintään neljä kertaa television painon.

Katso seuraava taulukko television asentamiseksi seinälle. Katso television paino television viiteoppaasta.





(mm)

Mallinimi	a	b	c	d	e	f*2	g*2 (°)
KD-75XH80xx	1 686	969	364	123	86	288	15
KE-75XH80xx							
KD-65XH81xx	1 462	841	365	59	83	287	18
KE-65XH81xx							
KD-65XH80xx							
KE-65XH80xx							
KD-55XH81xx	1 243	718	365	3	83	287	20
KE-55XH81xx							
KD-55XH80xx							
KE-55XH80xx							

TV:n asennusmittataulukko (mm)

Taulukon arvot voivat vaihdella hieman asennuksen mukaan.

*1 (Ruudun keskipiste)

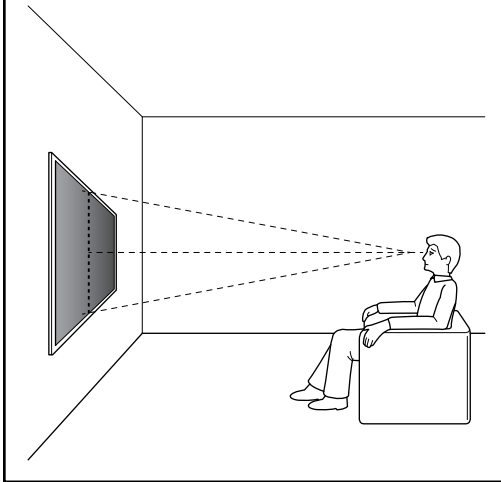
*2 (noin)

Huomautus

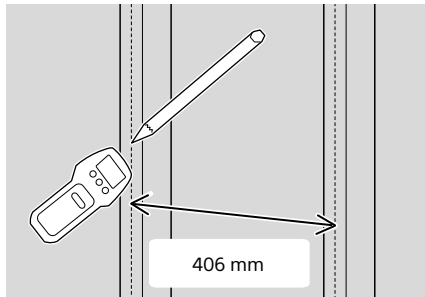
- Kun televisio on asennettu seinälle, sen yläreuna on hieman eteenpäin kallellaan.

Huomautus

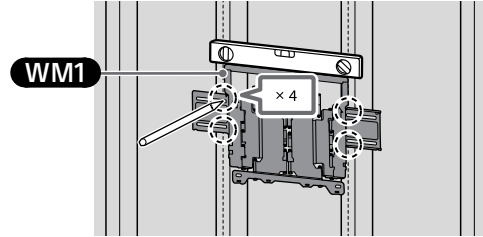
- Suosittelemme TV:n sijainnin tarkistamisen katseluympäristössä.



2



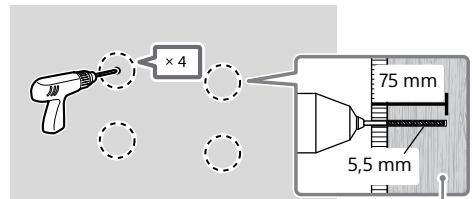
- 3 Aseta **WM1** seinän mukaisesti ja tee neljä merkkiä koolausten kohdalle.



Huomautus

- Tarkista vatupassilla, että **WM1** on suorassa.

- 4 Pora aloitusyläreiät merkien kohdalle.

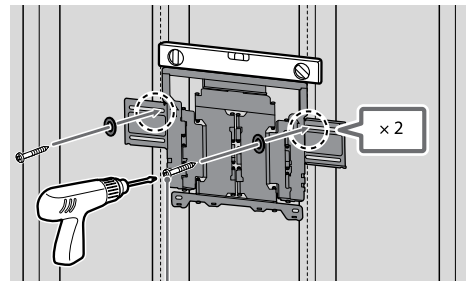


Koolaus tai vahvistus

Huomautus

- Aloitusreiät on porattava 75 mm:n syvyyteen halkaisijaltaan 5,5 mm:n poranterällä.

- 5 Asenna **WM1** seinään sopivilla ruuveilla (ei sisälly toimitukseen) ja aluslevyillä (ei sisälly toimitukseen).



8 mm x 60 mm

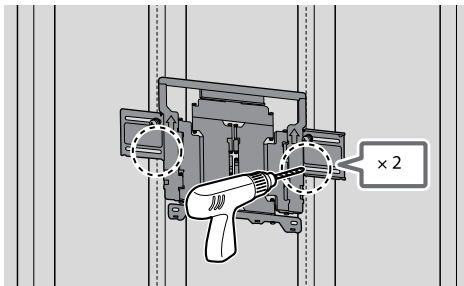
Huomautus

- Tarkista vatupassilla, että **WM1** on suorassa.

Varoimet

- Älä ylikiristä puuruuvia (8 mm x 60 mm). Virheellinen kiristäminen voi heikentää puuruvin (8 mm x 60 mm) pitovoimaa.

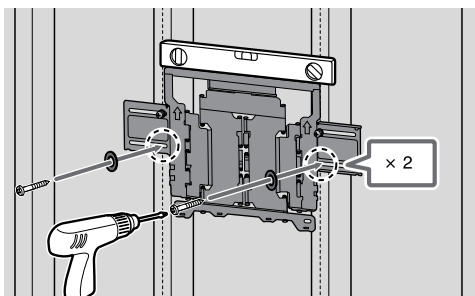
- 6 Poraa aloituslareiät merkkien kohdalle. (Katso vaiheesta 4 porausohjeet.)



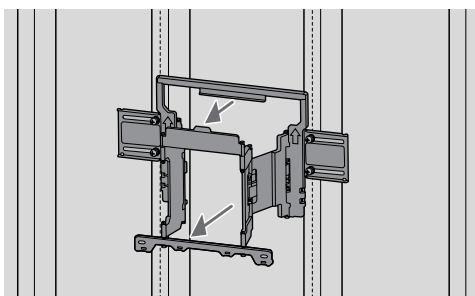
- 7 Etsi sopivat ruuvit ja aluslevyt reikiin.

Huomautus

- Tarkista vatupassilla, että seinäasennuskiinnitin on suorassa.

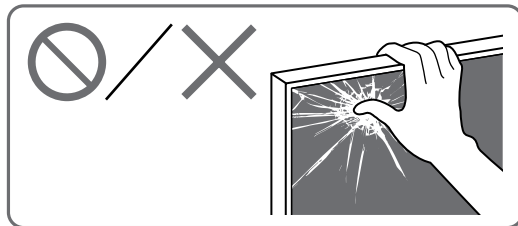


- 8 Vedä kiinnittimen varsi loppuun saakka.

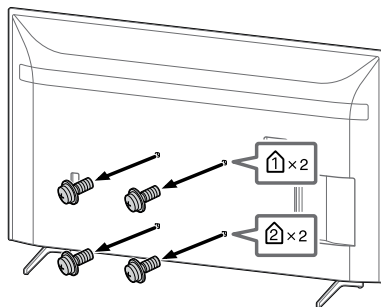


Television asennuksen valmistelu

Muista kiinnittää pöytäjalusta Asetusopas mukaisesti ennen kuin asennat TV:n seinään.



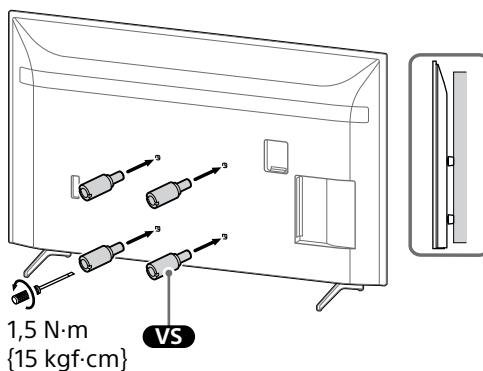
- 1 Irrota ruuvit television takaa.



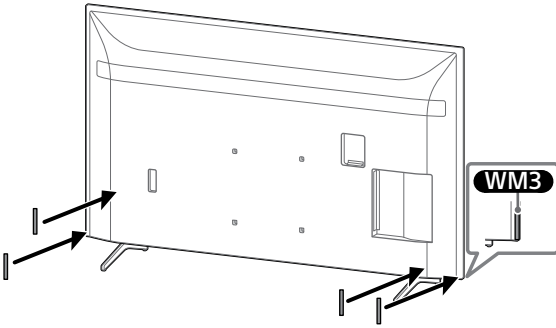
Huomautus

- Laita irrotetut ruuvit ja käyttämättömät osat talteen turvalliseen paikkaan, jossa ne ovat poissa lasten ulottuvilta.

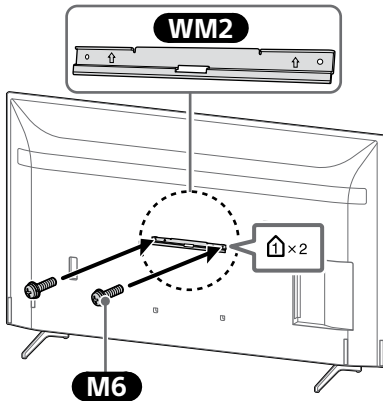
- 2 Kiinnitä seinäasennuksen kiinnitysosa (Sisältyy TV:n toimitukseen) TV:n takaosaan (jotta se on seinän kanssa samansuuntainen).



3 Kiinnitä WM3.

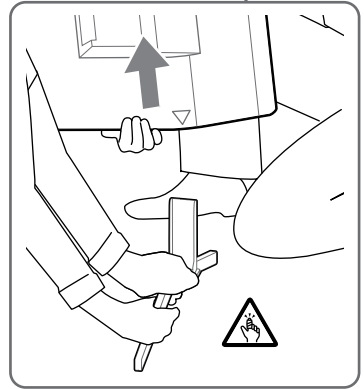
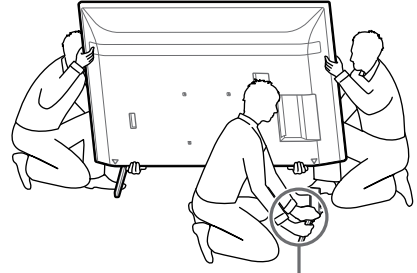


4 Kiinnitä WM2 TV:hen M6 -ruuveilla.



5 Irrota pöytäjalusta televisiosta.

- Poista pöytäjalustan sivut yksi kerrallaan. Pitele pöytäjalustaa tukevasti molemmilla käsillä, kun toiset henkilöt nostavat TV:tä.

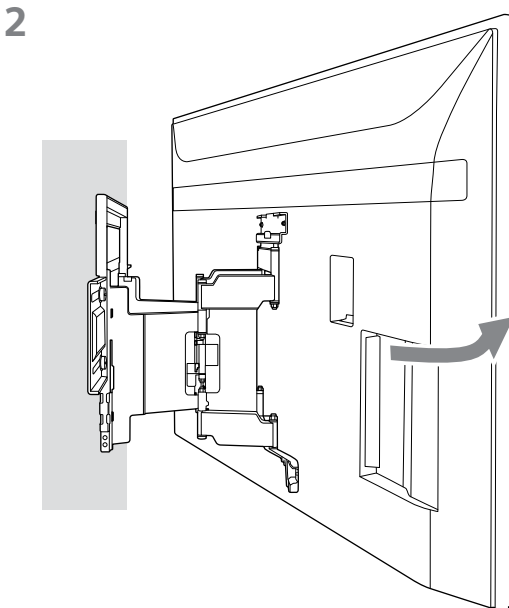
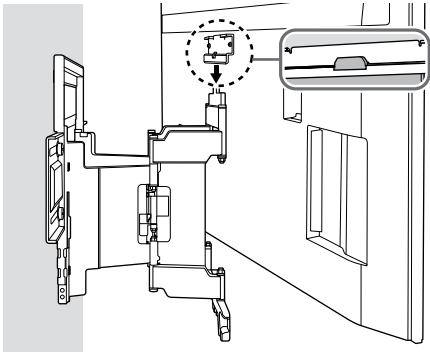
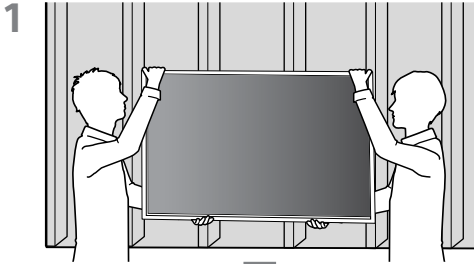
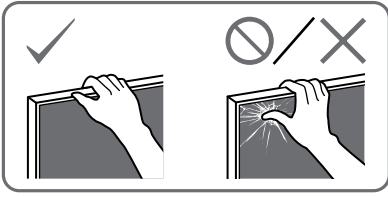


- Toista edellinen vaihe ja poista pöytäjalustan toinen sivu.

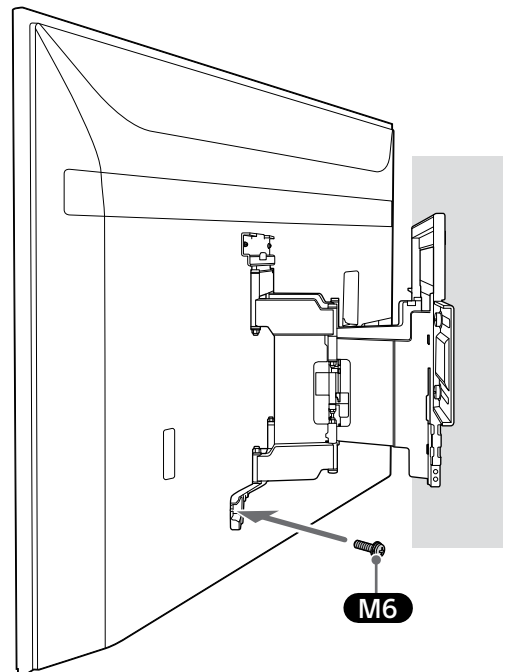
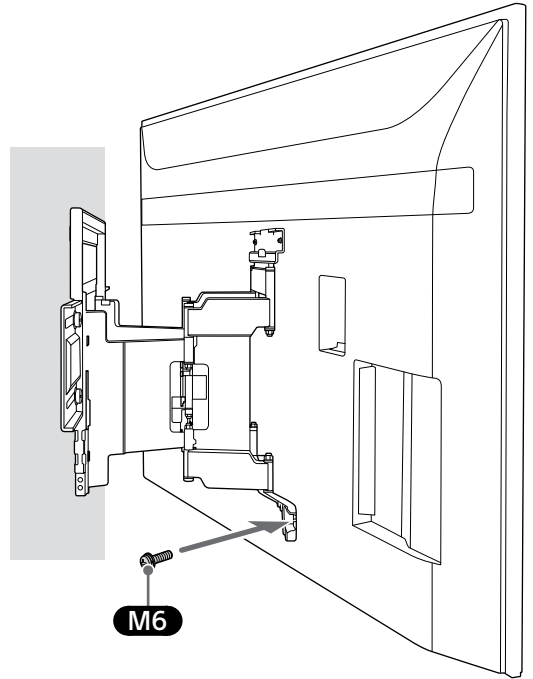
Huomautus

- Pöytäjalustan irrottamisessa tarvitaan vähintään kolme henkilöä.
- Varo käyttämästä liiallista voimaa irrottaessasi pöytäjalustaa TV:stä, jotta TV ei kaadu ja vahingoitu tai aiheuta henkilövahinkoa.
- Käsittele pöytäjalustaa varovasti, jotta TV ei vahingoitu.
- Ole varovainen nostaessasi pöytäjalustasta irrotettua televisiota, sillä pöytäjalusta voi kaatua ja aiheuttaa henkilövahingon.
- Ole varovainen irrottaessasi pöytäjalustaa televisiosta, jotta televisio ei kaadu ja vahingoita TV:n alla olevaa pintaa.

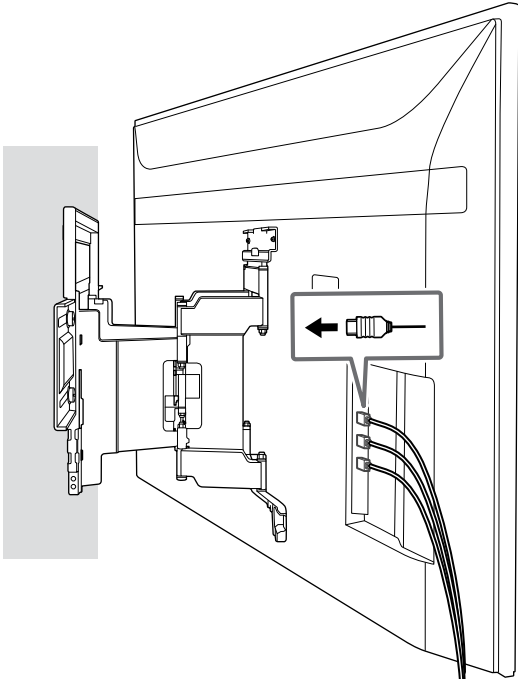
Television asennus seinään



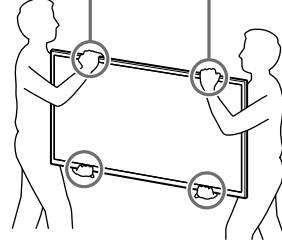
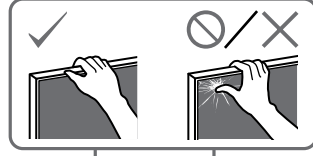
- 3 Kiinnitä ruuveilla seinäasennuskiinnittimen vasen ja oikea puoli.



4

**VAROITUS**

- Varmista, että vähintään kaksi henkilöä (tai vähintään kolme henkilöä, jos television koko on yli 75 tuumaa) kannattelee televisiota sen kantamisen aikana.

**Asennuksen tarkistaminen**

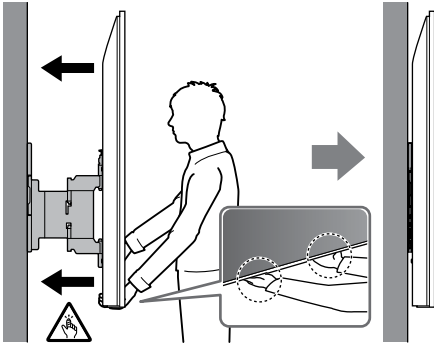
Tarkista seuraavat kohdat.

- Johto ja kaapeli eivät ole kiertyneenä tai puristuksissa.

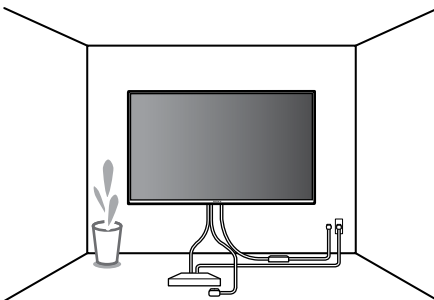
VAROITUS

- Virtajohdon jne. virheellinen sijoitus saattaa aiheuttaa tulipalon tai sähköiskun oikosulun vuoksi. Muista tarkistaa valmis asennus turvallisuuden vuoksi.

5 Kun kuljetat TV:tä, pidä sitä tukevasti pohjasta.

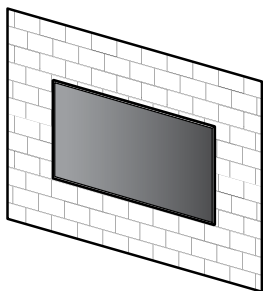


6

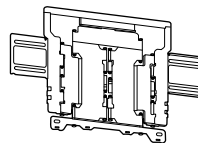


B Seinäasennuskiinnittimen kiinnittäminen betoniseinään tai tiiliseinään

Betoniseinä tai tiiliseinä



WM1

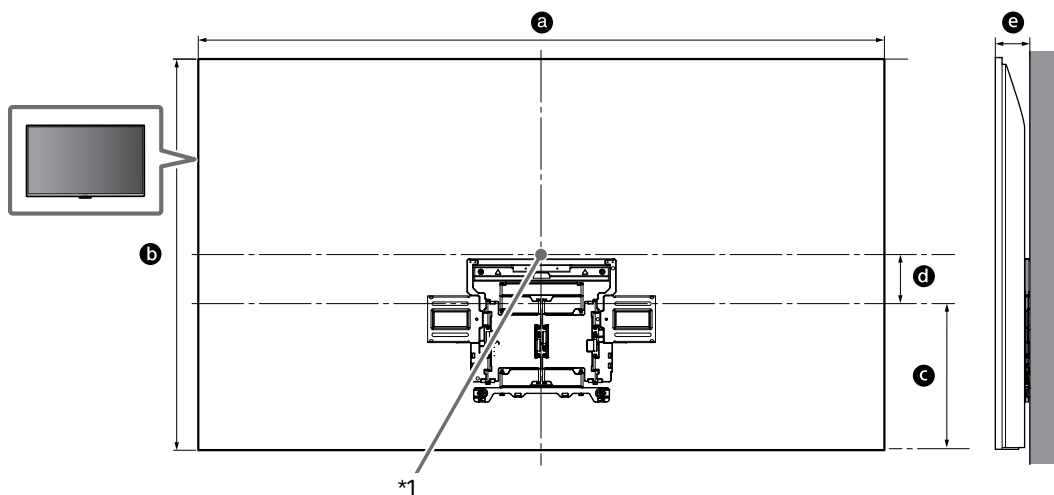


Seinäasennuskiinnittimen asentaminen seinälle

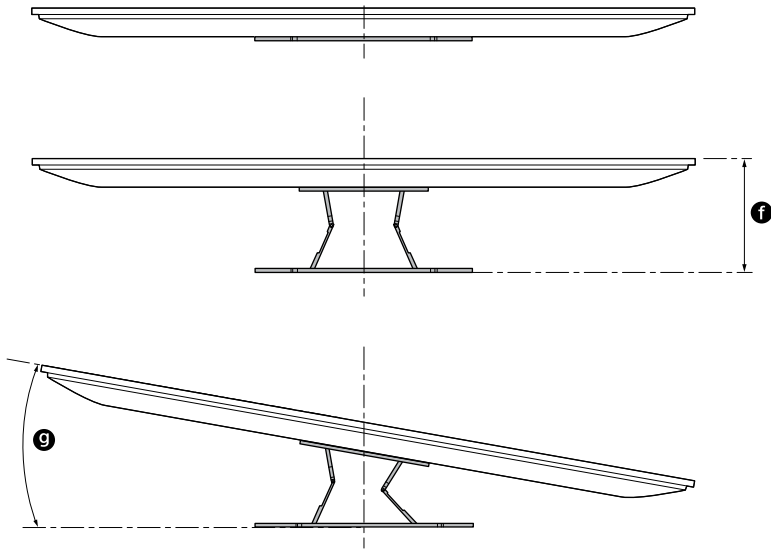
1 Määritä asennuspaikka.

Varmista, että seinä on riittävän iso televisiolle ja pystyy kantamaan vähintään neljä kertaa television painon.

Katso seuraava taulukko television asentamiseksi seinälle. Katso television paino television viiteoppaasta.



FI



(mm)

Mallinimi	a	b	c	d	e	f*2	g*2 (°)
KD-75XH80xx	1 686	969	364	123	86	288	15
KE-75XH80xx							
KD-65XH81xx	1 462	841	365	59	83	287	18
KE-65XH81xx							
KD-65XH80xx							
KE-65XH80xx							
KD-55XH81xx	1 243	718	365	3	83	287	20
KE-55XH81xx							
KD-55XH80xx							
KE-55XH80xx							

TV:n asennusmittataulukko (mm)

Taulukon arvot voivat vaihdella hieman asennuksen mukaan.

*1 (Ruudun keskipiste)

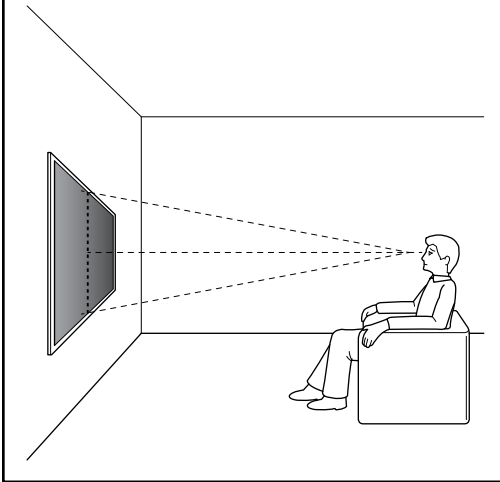
*2 (noin)

Huomautus

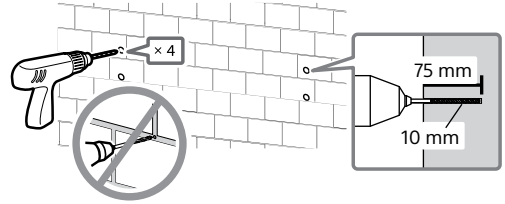
- Kun televisio on asennettu seinälle, sen yläreuna on hieman eteenpäin kallellaan.

Huomautus

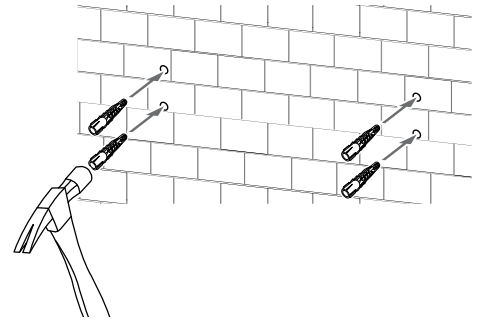
- Suosittelemme TV:n sijainnin tarkistamisen katseluympäristössä.



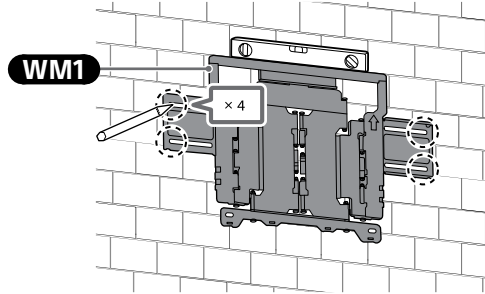
3 Pora alkureiät merkkien kohdalle.



4



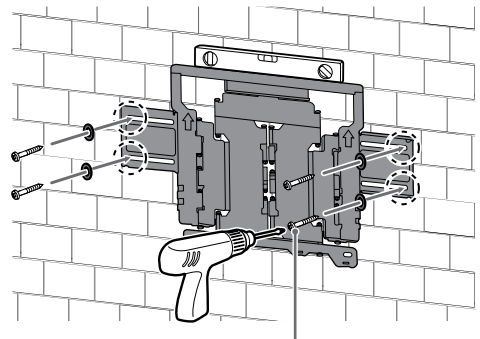
2 Aseta WM1 seinän mukaisesti ja tee neljä merkkiä.



Huomautus

- Tarkista vatupassilla, että WM1 on suorassa.

5 Asenna WM1 seinään sopivilla ruuveilla (ei sisälly toimitukseen) ja aluslevyillä (ei sisälly toimitukseen).



8 mm x 60 mm

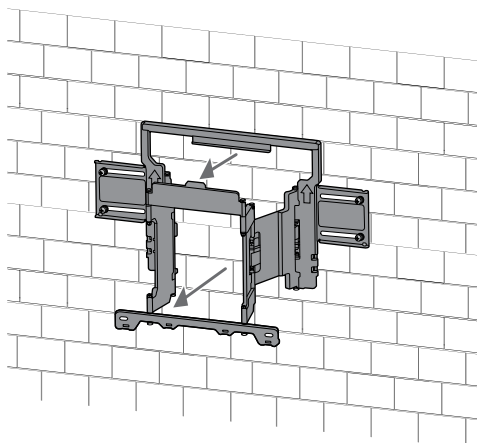
Huomautus

- Tarkista vatupassilla, että seinäasennuskiinnitin on suorassa.

Varoitimet

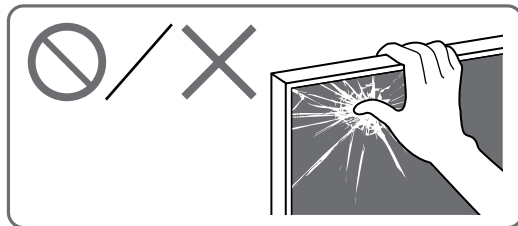
- Älä ylikiristä puuruuvia (8 mm x 60 mm). Virheellinen kiristäminen voi heikentää puuruuvien (8 mm x 60 mm) pitovoimaa.

6 Vedä kiinnittimen varsi loppuun saakka.

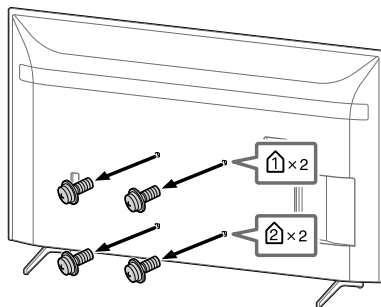


Television asennuksen valmistelu

Muista kiinnittää pöytäjalusta Asetusopas mukaisesti ennen kuin asennat TV:n seinään.



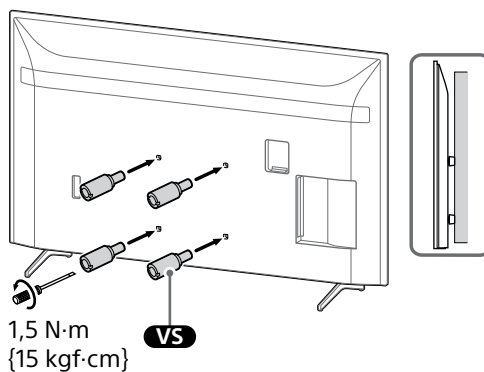
1 Irrota ruuvit television takaa.



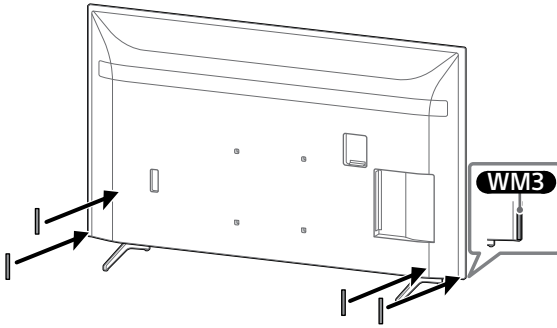
Huomautus

- Laita irrotetut ruuvit ja käyttämättömät osat talteen turvalliseen paikkaan, jossa ne ovat poissa lasten ulottuvilta.

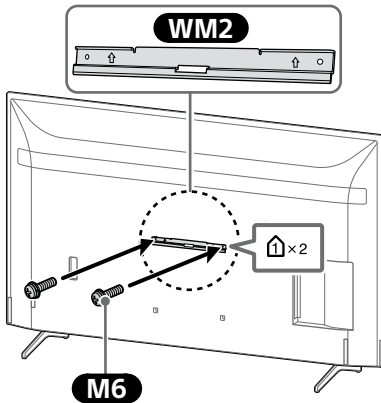
2 Kiinnitä seinäasennuksen kiinnitysosa (Sisältyy TV:n toimitukseen) TV:n takaosaan (jotta se on seinän kanssa samansuuntainen).



3 Kiinnitä WM3.

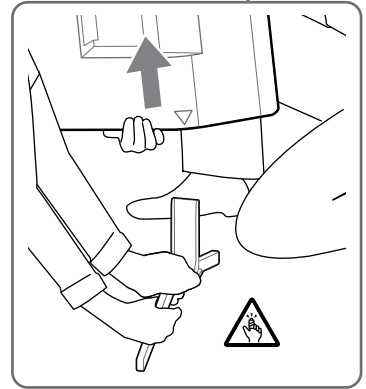
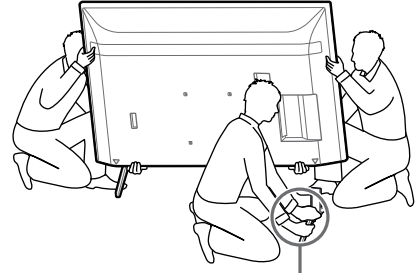


4 Kiinnitä WM2 TV:hen M6 -ruuveilla.



5 Irrota pöytäjalusta televisiosta.

- Poista pöytäjalustan sivut yksi kerrallaan. Pitele pöytäjalustaa tukevasti molemmilla käsillä, kun toiset henkilöt nostavat TV:tä.



- Toista edellinen vaihe ja poista pöytäjalustan toinen sivu.

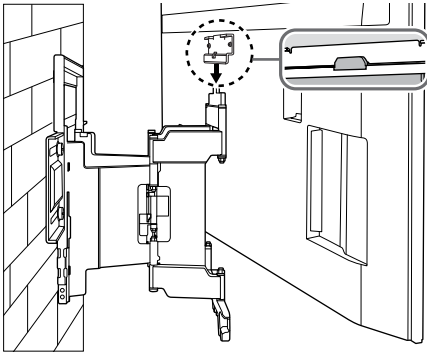
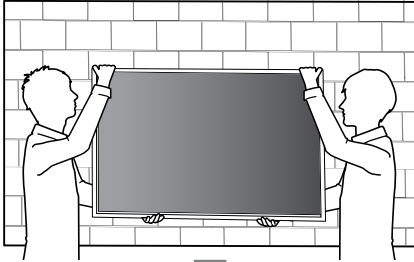
Huomautus

- Pöytäjalustan irrottamisessa tarvitaan vähintään kolme henkilöä.
- Varo käyttämästä liiallista voimaa irrottaessasi pöytäjalustaa TV:stä, jotta TV ei kaadu ja vahingoitu tai aiheuta henkilövahinkoa.
- Käsittele pöytäjalustaa varovasti, jotta TV ei vahingoitu.
- Ole varovainen nostaessasi pöytäjalustasta irrotettua televisiota, sillä pöytäjalusta voi kaatua ja aiheuttaa henkilövahingon.
- Ole varovainen irrottaessasi pöytäjalustaa televisiosta, jotta televisio ei kaadu ja vahingoita TV:n alla olevaa pintaa.

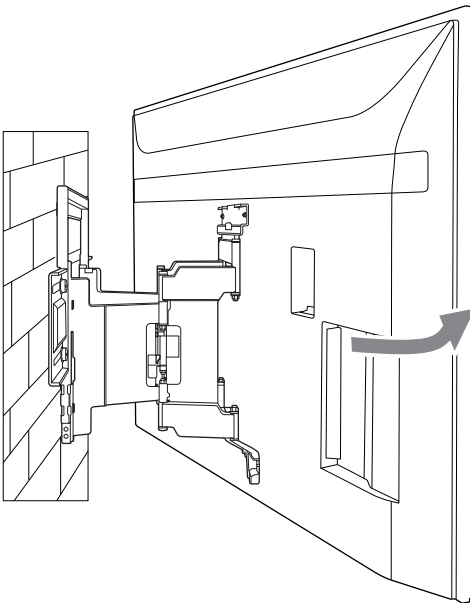
Television asennus seinään



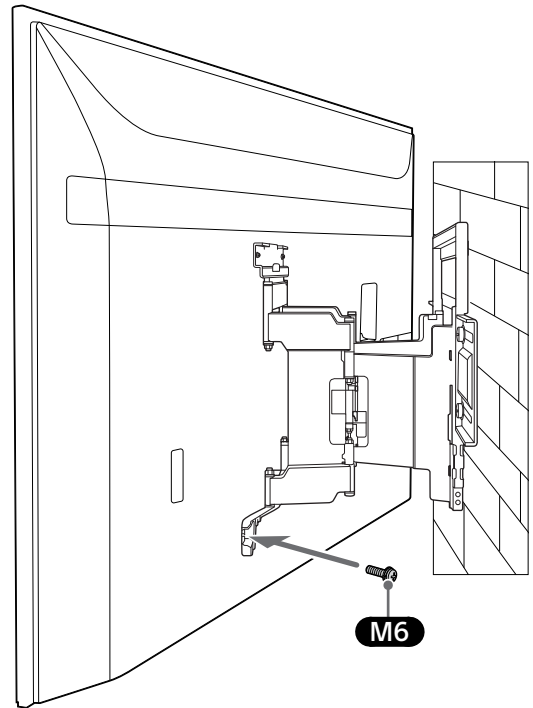
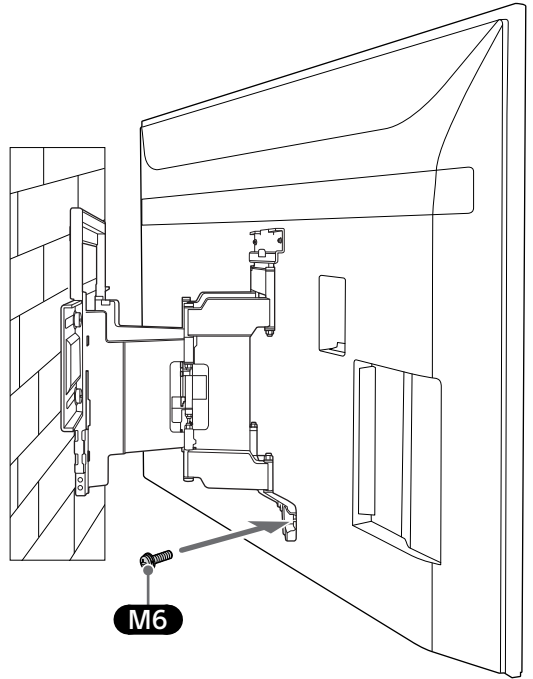
1



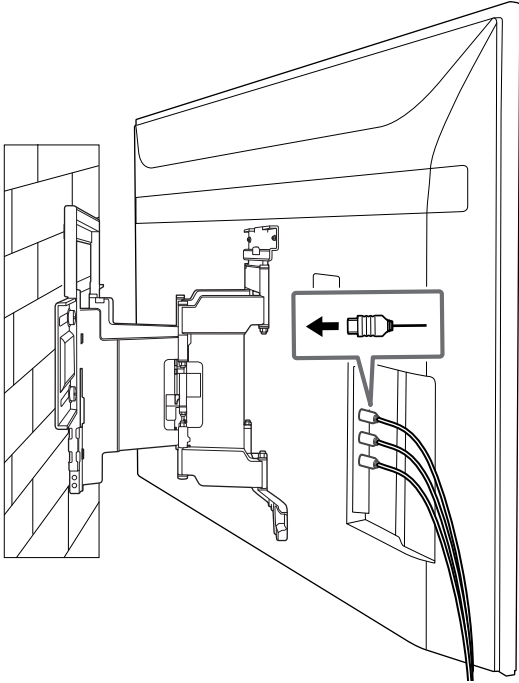
2



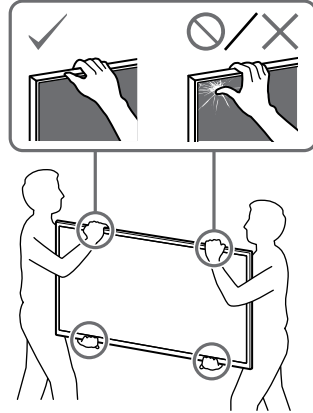
3 Kiinnitä ruuveilla seinäasennuskiinnittimen vasen ja oikea puoli.



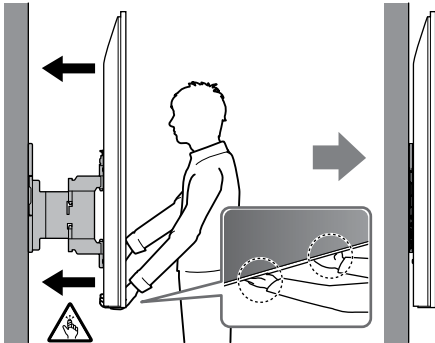
4

**VAROITUS**

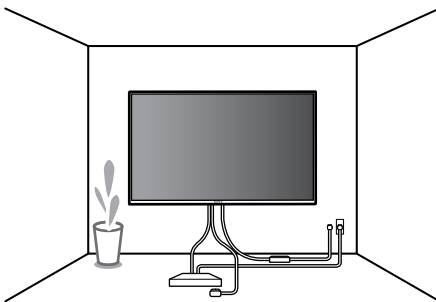
- Varmista, että vähintään kaksi henkilöä (tai vähintään kolme henkilöä, jos television koko on yli 75 tuumaa) kannattelee televisiota sen kantamisen aikana.



5 Kun kuljetat TV:tä, pidä sitä tukevasti pohjasta.



6



Asennuksen tarkistaminen

Tarkista seuraavat kohdat.

- Johto ja kaapeli eivät ole kiertyneenä tai puristuksissa.

VAROITUS

- Virtajohdon jne. virheellinen sijoitus saattaa aiheuttaa tulipalon tai sähköiskun oikosulun vuoksi. Muista tarkistaa valmis asennus turvallisuuden vuoksi.

Muuta tietoa

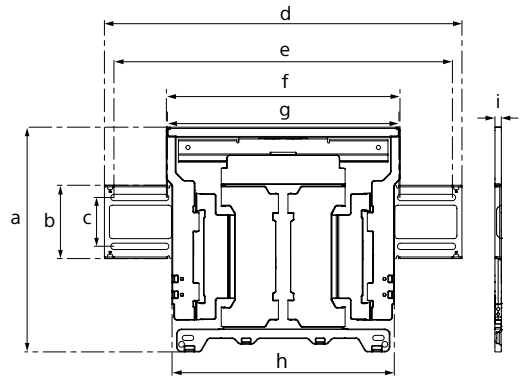
Televisio irrotetaan asennukseen nähden päinvastaisessa järjestyksessä.

VAROITUS

- Varmista, että vähintään kaksi henkilöä (tai vähintään kolme henkilöä, jos television koko on yli 75 tuumaa) kannattelee televisiota sen irrottamisen aikana.

Tekniset tiedot

WM1



Mitat: (noin) [mm]

- a : 354
- b : 116
- c : 77
- d : 563
- e : 533
- f : 370
- g : 368
- h : 350
- i : 11

Paino (vain jalusta): (noin) [kg]

3,0

Rakennetta ja teknisiä ominaisuuksia voidaan muuttaa ilman ennakoilmoitusta.

Installasjonsveiledning for bruk med Sony veggmonteringsbrakett (SU-WL850)

Støttede modeller*:

KD-75XH80xx / 65XH81xx / 65XH80xx / 55XH81xx / 55XH80xx

KE-75XH80xx / 65XH81xx / 65XH80xx / 55XH81xx / 55XH80xx

* I de faktiske modellnavnene, indikerer "xx" tall og/eller bokstaver som gjelder spesielt for hver modell.

Til kunder

Av hensyn til produktets beskyttelse og sikkerheten, anbefaler Sony sterkt at TV-en installeres av Sony-forhandlere eller lisensierte entreprenører. Ikke forsøk å installere den selv.

Til Sony-forhandlere og -leverandører

Legg spesielt merke til sikkerheten under installasjonen, periodisk vedlikehold og ved undersøkelse av dette produktet.

Tilstrekkelig ekspertise er nødvendig for å installere dette produktet, spesielt for å fastslå at veggen kan klare TV-ens vekt. Overlat monteringen av dette produktet til Sony-forhandlere eller lisensierte entreprenører, og vær spesielt oppmerksom på sikkerheten under installasjon. Sony er ikke ansvarlig for eventuell skade eller personskade forårsaket av feil behandling eller installasjon.

Av sikkerhetsmessige årsaker og for korrekt installasjon må bruksanvisningene for veggmonteringsbraketten, innstillingsveiledningen og retningslinjene i denne håndboken følges.

Veggmonteringsbrakett

Om sikkerheten

Takk for at du kjøpte dette produktet.

Til kunder

Montere TV-en på veggen



ADVARSEL

PROFESJONELL INSTALLASJON KREVES

Dette produktet bør kun installeres av en profesjonell installatør som er opplært til å fastslå styrken til veggen som skal holde oppe TV-ens vekt. Hvis TV-en ikke er riktig sikret under installasjon, kan den falle ned og føre til alvorlig personskade. Sony er ikke ansvarlige for skade eller personskade forårsaket av feil håndtering eller installasjon, eller installasjon av noe annet enn det spesifiserte produktet. Dine forbrukerrettigheter (hvis noen) påvirkes ikke.

Til Sony-forhandlere

Tilstrekkelig ekspertise er nødvendig for å montere dette produktet. Les nøye gjennom denne bruksanvisningen for å gjøre installasjonen på en trygg måte. Sony er ikke ansvarlige for skader eller personskader som oppstår som følge av feil håndtering eller installasjon. Gi denne håndboken til kunden etter installasjon.

Denne bruksanvisningen viser korrekt håndtering av produktet og viktige forholdsregler som er nødvendige for å forhindre uhell. Det er ditt ansvar å lese, grundig forstå og følge alle anvisninger i denne bruksanvisningen. Manglende evne til å gjøre dette kan føre til alvorlig personskade eller skade på eiendom, og kan annullere garantien. Ha denne håndboken tilgjengelig for fremtidig referanse.

Sonys produkter er utviklet med fokus på sikkerheten. Hvis produktene brukes feil, kan det derimot føle til alvorlig personskade på grunn av brann, elektrisk støt, produktet velter eller faller ned. Overhold forholdsreglene for sikkerhet for å forhindre slike uhell.

FORSIKTIG

Spesifiserte produkter

Denne veggmonteringsbraketten er utviklet for bruk med de oppgitte TV-produktene. For TV-er, se deres "Referanseveiledning" for å sjekke at veggmonteringsbraketten kan brukes.

Til kunder

ADVARSEL

Hvis følgende forholdsregler ikke følges, kan alvorlig personskade eller dødsfall oppstå gjennom brann, elektrisk støt eller produktet kan falle ned.

Overlat installasjonen til lisensierte entreprenører og hold små barn unna under installasjonen.

Hvis veggmonteringsbraketten eller TV-en ikke installeres riktig, kan følgende uhell oppstå. Sørg for at lisensierte entreprenører utfører installasjonen.

- TV-en kan falle ned og forårsake en alvorlig personskade som et blåmerke eller et brudd.
- Hvis veggen som veggmonteringsbraketten installeres på er ustabil, ujevn eller ikke vinkelrett til gulvet, kan enheten falle ned og forårsake personskade eller skade på eiendom. Veggen bør kun støtte en vekt på minst seks ganger TV-ens vekt. (Se TV-ens "Referanseveiledning" for vekten.)
- Hvis veggmonteringsbraketten ikke installeres solid nok på veggen, kan enheten falle ned og forårsake personskade eller skade på eiendom.

Overlat flytting eller demontering av TV-en til lisensierte entreprenører.

Hvis en annen person enn lisensierte entreprenører transporterer eller demonterer TV-en, kan den falle ned og forårsake personskade eller skade på eiendom. Sørg for at to eller flere personer (tre eller flere personer for TV-er på 75 tommer eller mer) bærer eller demonterer TV-en.

Ikke fjern skruer e.l. etter montering av TV-en.

Hvis du gjør dette, kan TV-en falle ned og forårsake personskade eller skade på eiendom.

Ikke gjør endringer på delene til veggmonteringsbraketten.

Hvis du gjør dette, kan veggmonteringsbraketten falle ned og forårsake personskade eller skade på eiendom.

Ikke monter noe annet utstyr enn det spesifiserte produktet.

Denne veggmonteringsbraketten er utviklet for bruk med det spesifiserte produktet. Hvis du monterer annet utstyr enn det som er spesifisert, kan det falle ned eller ødelegges, og forårsake personskade eller skade på eiendom.

Ikke påfør noen annen vekt enn den fra TV-en på veggmonteringsbraketten.

Ikke rist TV-en til venstre/høyre eller opp/ned.

Hvis du gjør dette, kan TV-en falle ned og forårsake personskade eller skade på eiendom.

Ikke len deg på eller heng fra TV-en.

Ikke len deg på eller heng fra TV-en da den kan falle ned på deg og forårsake personskade.

FORSIKTIG

Hvis følgende forholdsregler ikke følges, kan personskade eller skade på eiendom oppstå.

- Vær forsiktig så du ikke klemmer fingrene når du håndterer veggmonteringsbraketten eller dreier TV-en.
- Vær forsiktig mens du dreier TV-en så du ikke treffer noen som står i nærheten.
- Oppbevar ubrukte deler på en trygg plass for fremtidig bruk. Hold dem unna barn.

Ikke håndter produktet med ekstrem kraft under rengjøring eller vedlikehold.

Ikke bruk ekstrem kraft på oversiden på TV-en. Hvis du gjør dette, kan TV-en falle ned og forårsake personskade eller skade på eiendom.

Forholdsregler

- Hvis du bruker TV-en montert på veggmonteringsbraketten over lang tid, kan veggen bak eller over TV-en bli misfarget eller tapeten kan løsne, avhengig av veggens materiale.
- Hvis veggmonteringsbraketten er fjernet etter at den er montert på veggen, står skruehullene igjen.
- Ikke bruk veggmonteringsbraketten på et sted hvor den er utsatt for mekaniske vibrasjoner.

NO

Installere veggmonteringsbraketten

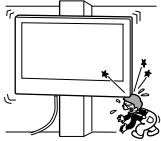
Til Sony-forhandlere

ADVARSEL

Følgende instruksjer er bare for Sony-forhandlere. Les sikkerhetsforholdsreglene beskrevet under og legg spesielt merke til sikkerheten under installasjon, vedlikehold og kontroll av dette produktet.

Ikke monter veggmonteringsbraketten på veggo-verflater hvor hjørnene eller sidene av TV-en stikker frem fra veggo-verflaten.

Ikke monter veggmonteringsbraketten på veggoverflater som en søyle hvor hjørnene eller sidene av TV-en stikker frem fra veggoverflaten. Hvis en person eller en gjenstand treffer det utstikkende hjørnet eller siden på TV-en, kan det føre til personskade eller skade på eiendom.

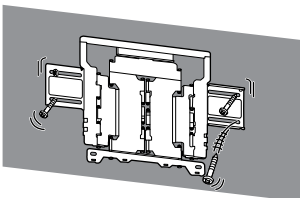


Ikke installer TV-en over eller under et klimaanlegg.

Hvis TV-en utsettes for vannlekkasjer eller luftstrøm fra et klimaanlegg over lang tid, kan dette forårsake brann, elektrisk støt eller en feilfunksjon på TV-en.

Sørg for at du monterer veggmonteringsbraketten sikkert på veggen etter anvisningene i denne bruksanvisningen.

Hvis noen av skruene er løse eller faller ut, kan veggmonteringsbraketten falle ned og forårsake personskade eller skade på eiendom. Pass på å bruke skruer som er egnet for veggmaterialet, og installer enheten sikkert med fire skruer med en diameter på 8 mm (eller tilsvarende).



Sørg for at du bruker de inkluderte skruene og tilkoblingsdelene på riktig måte etter anvisningene som er gitt i denne bruksanvisningen. Dersom du bruker erstattede deler, kan TV-en falle ned og forårsake personskade eller skade på TV-en.

Sørg for at du monterer braketten riktig etter anvisninger forklart i denne bruksanvisningen.

Dersom noen av skruene er løse eller faller ut, kan TV-en falle ned og forårsake personskade eller skade på TV-en.

Sørg for at du strammer skruene godt til i riktig posisjon.

Hvis du ikke vil gjøre dette, kan TV-en falle ned og forårsake personskade eller skade på TV-en.

Vær forsiktig så TV-en ikke utsettes for støt under installasjon.

Hvis TV-en utsettes for støt, kan den falle ned eller ødelegges. Dette kan forårsake personskade.

Sørg for at du installerer TV-en på en vegg som er både vinkelrett og flat.

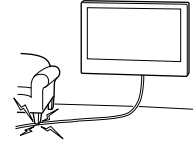
Hvis du ikke gjør dette, kan TV-en falle ned og forårsake personskade.

Etter riktig installasjon av TV-en, må du feste kablene på riktig måte.

Hvis personer eller gjenstander blir viklet inn i kablene, kan dette føre til personskade eller skade på TV-en.

Ikke la strømledningen eller forbindelsesledningen komme i klem.

Hvis strømledningen eller forbindelsesledningen blir klemmet mellom enheten og veggen, eller blir bøyd eller vridd med makt, kan de interne lederne bli eksponert og forårsake en kortslutning eller et elektrisk brudd. Dette kan forårsake brann eller elektrisk støt.



Skruene som er nødvendige for å sikre veggmonteringsbraketten til veggen følger ikke med.

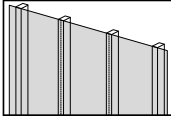
Bruk skruer som passer for veggmaterialet og strukturen når du monterer veggmonteringsbraketten.

Før du kommer i gang

Kontroller først type vegg hvor TV-en skal monteres.

Hva er veggen laget av?

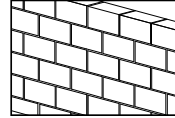
Gipsplate med stifter



Forholdsregler

- Maksimal tykkelse på gipsplate: 16 mm.
- Kontroller at den interne trestiftens størrelse er minst 51 x 102 mm for vanlig eller 38 x 89 mm for nominell.
- La det være minst 406 mm horisontal klarering mellom festelementer.

Solid betong eller betongblokk



Forholdsregler

- Monter veggmonteringsbraketten direkte på veggen av solid betong.
- Kontroller at tykkelsen på veggen av solid betong er minst 203 mm.
- Kontroller at størrelsen på hver betongblokk er minst 203 x 203 x 406 mm.

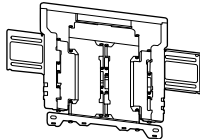

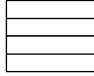

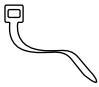
Forberede installasjonen

- Sørg for å ha TV-ens referanseveiledning og innstillingsveiledningen tilgjengelig før installasjonen.
- Bekreft posisjonen TV-en skal installeres i.
- Gjør klar fire skruer med en diameter på 8 mm og fire skiver (medfølger ikke). Velg skruer som passer for materialet i vegg.

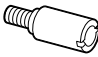
Kontrollere delene

Inkludert med SU-WL850

- Bekreft at alle deler følger med.



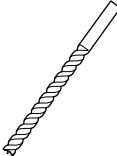
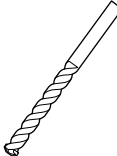
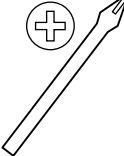






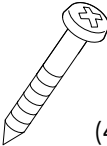
A WM1 (1) 	B WM2 (1) 
C WM3 (4) 	D M6 (4) 
E WT1 (6) 	

Inkludert med TV-en

VS Veggmonteringsfeste (4) 
--



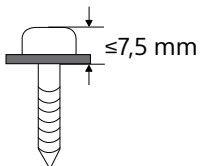
Nødvendig verktøy

*1 	  5,5 mm  10 mm 		
*2    1,5 N·m {15 kgf·cm} 			
*3  (4)	*2  (4)	*3  (4) 8 mm x 60 mm	

*1 Kun for gipsplate med stifter

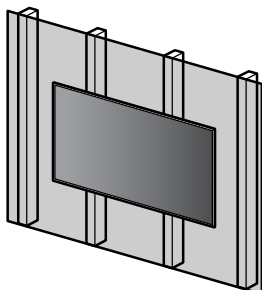
*2 Kun for solid betong eller betongblokk

*3 Vær forsiktig når du velger skruer og skiver

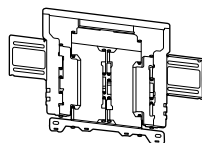


A Feste TV-en på gipsplaten med stifter

Gipsplate med stifter



WM1

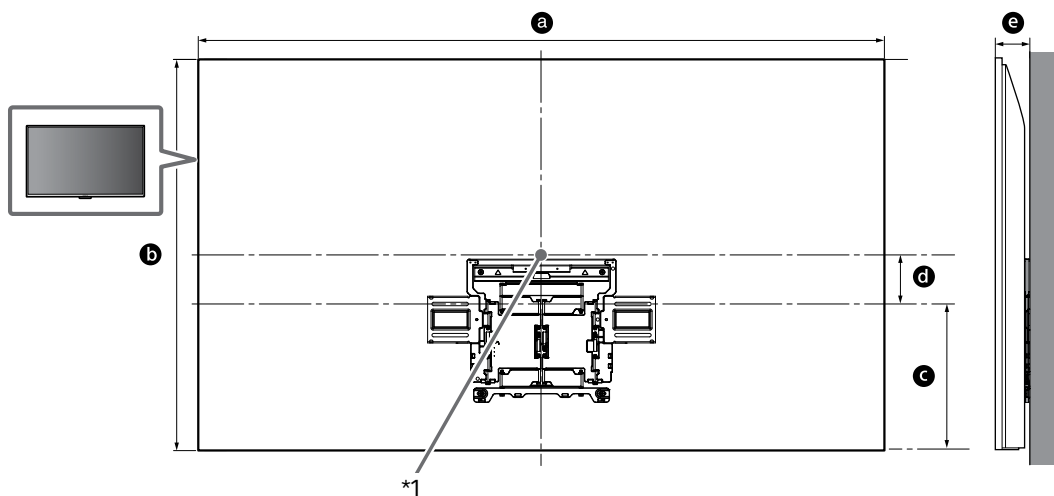


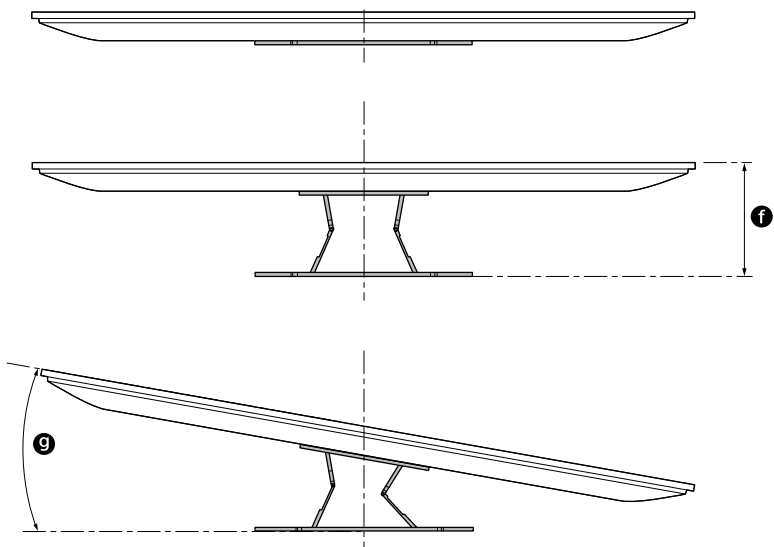
Installere veggmonteringsbraketten på veggen

1 Bestemme installasjonsstedet.

Sørg for at veggen har nok plass for TV-en og at den kan støtte en vekt på minst fire ganger TV-ens.

Se følgende tabell om å installere TV-en på veggen. Se TV-ens referanseveiledning for TV-ens vekt.





(mm)

Modellnavn	a	b	c	d	e	f*2	g*2 (°)
KD-75XH80xx	1686	969	364	123	86	288	15
KE-75XH80xx							
KD-65XH81xx	1462	841	365	59	83	287	18
KE-65XH81xx							
KD-65XH80xx							
KE-65XH80xx							
KD-55XH81xx	1243	718	365	3	83	287	20
KE-55XH81xx							
KD-55XH80xx							
KE-55XH80xx							

Tabell over monteringsmålene for TV-en (mm)
Tallene i tabellen kan variere noe avhengig av installasjonen.

*1 (Skjermcenterpunkt)

*2 (ca.)

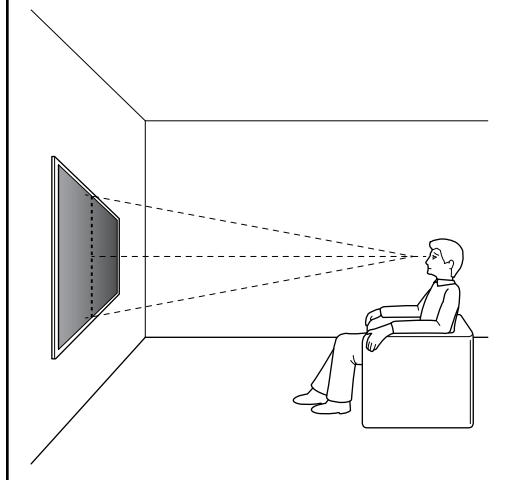
Merknad

- Når TV-en er installert på veggen, lener øvre side av TV-en noe fremover.

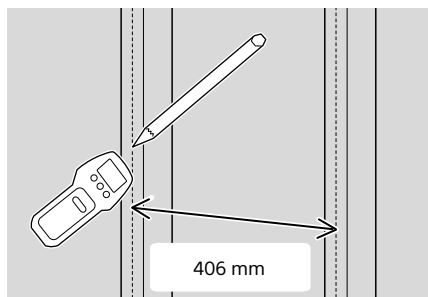
NO

Merknad

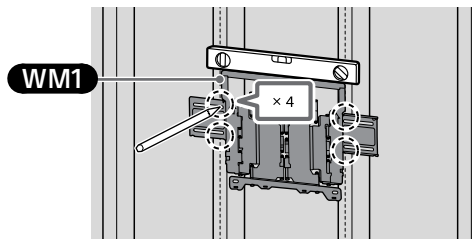
- Vi anbefaler at du sjekker posisjonen til TV-en i visningsmiljøet.



2



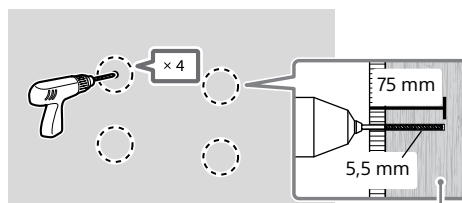
- 3 Sett **WM1** på linje på veggen og sett fire merker på linje med stiftene.



Merknad

- Bruk et vater til å sjekke om **WM1** er plan.

- 4 Lag de øvre prøvehullene på merkene med en boremaskin.

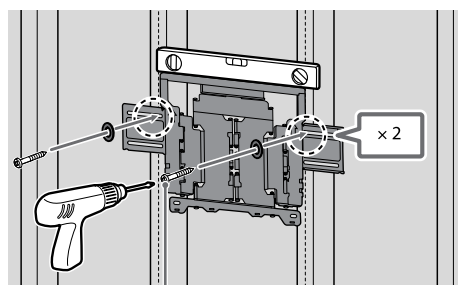


Stift eller forsterkning

Merknad

- Prøvehullene må bores til en dybde på 75 mm med en drillbit på 5,5 mm diameter.

- 5 Monter **WM1** på veggen med egnede skruer (medfølger ikke) og skiver (medfølger ikke).



8 mm × 60 mm

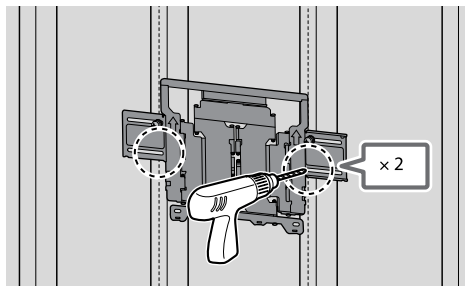
Merknad

- Bruk et vater til å sjekke om **WM1** er plan.

Forholdsregel

- Ikke overstram treskruen (8 mm × 60 mm). Feil tilstramming kan redusere holdekraften til treskruen (8 mm × 60 mm).

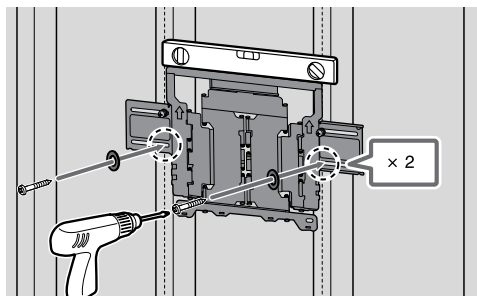
- 6** Lag de nedre prøvehullene på merkene med en boremaskin. (Se trinn 4 for instruks om drilling.)



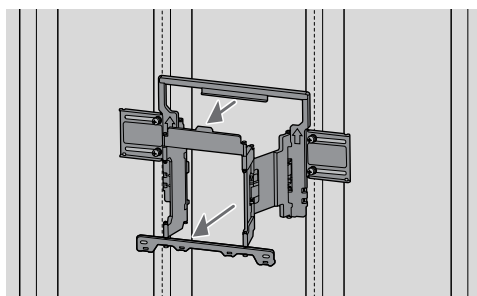
- 7** Sett de egnede skruene og skivene i hullene.

Merknad

- Bruk et vater til å sjekke om veggmonteringsbraketten er plan.

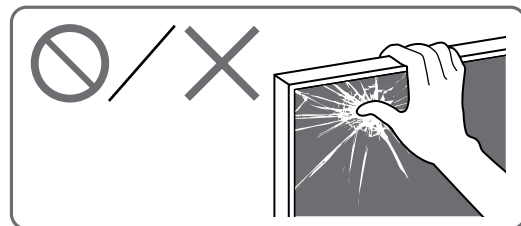


- 8** Dra armen på braketten helt ut.

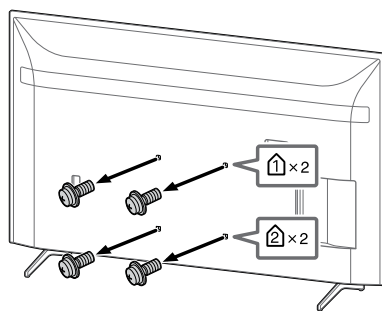


Forberede installasjonen av TV-en

Husk å feste bordstativ før du installerer TV-en på veggen ved å henvise til Innstillingsveiledning.



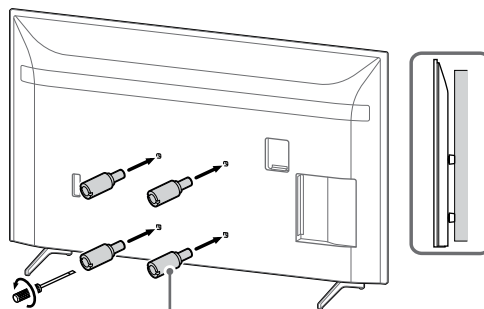
- 1** Fjern skruene fra baksiden av TV-en.



Merknad

- Sørg for at ubrukte deler og skruene du har fjernet blir oppbevart på en trygg plass, utenfor barns rekkevidde.

- 2** Fest veggmonteringsfestet (følger med TV-en) bak på TV-en (for å gjøre den parallell med veggen).

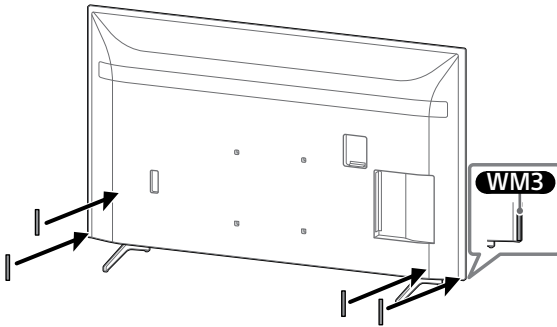


1,5 N·m
{15 kgf·cm}

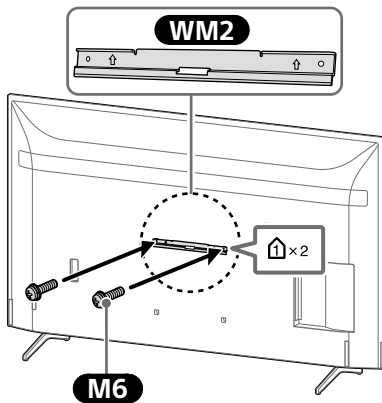
VS

NO

3 Fest **WM3**.

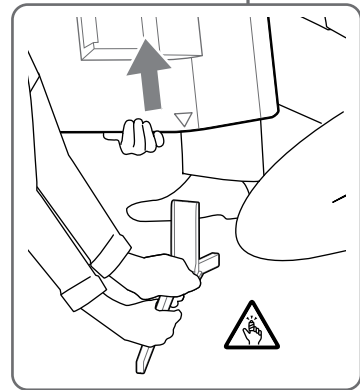
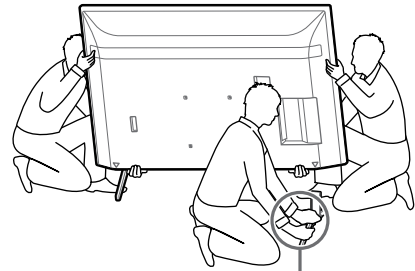


4 Fest **WM2** til TV-en med **M6**.



5 Demonter bordstativet fra TV-en.

- Fjern den ene siden av bordstativet om gangen. Hold bordstativet godt fast med begge hender mens den andre personen løfter opp TV-en.



- Gjenta det forrige trinnet og fjern den andre siden av bordstativet.

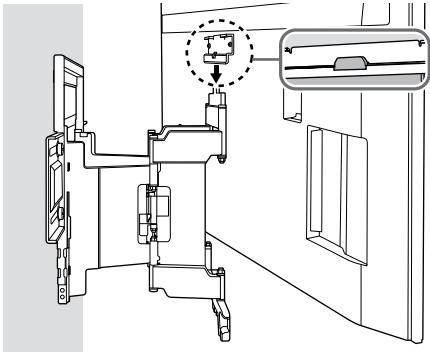
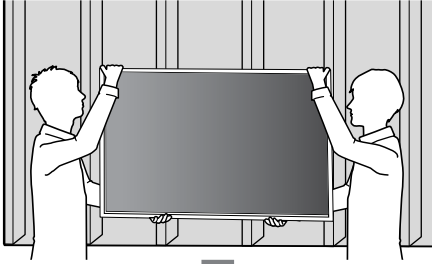
Merknad

- Tre eller flere personer er nødvendig for å løsne bordstativet.
- Vær forsiktig så du ikke bruker for mye kraft når bordstativet løsnes fra TV-en, da dette kan medføre at TV-en faller ned og også medføre personskader eller fysiske skader på TV-en.
- Vær forsiktig ved håndtering av bordstativet for å hindre skader på TV-en.
- Vær forsiktig når TV-en løftes, da bordstativet er løsnet, bordstativet kan vippe over og medføre personskader.
- Vær forsiktig når bordstativet fjernes fra TV-en for å hindre at det faller ned og skader overflaten på TV-en som det er festet til.

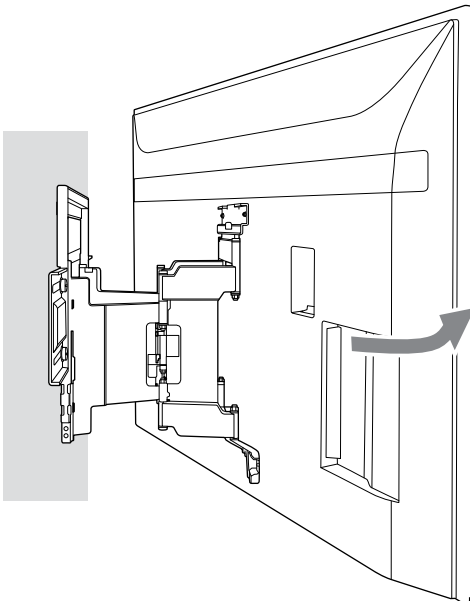
Installere TV-en på vegg



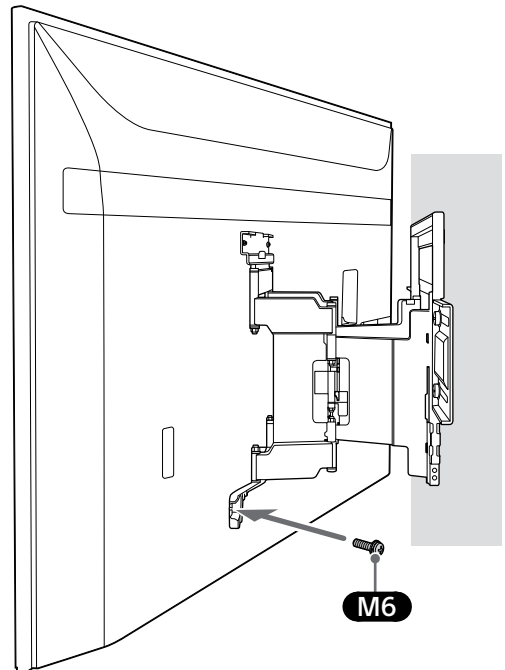
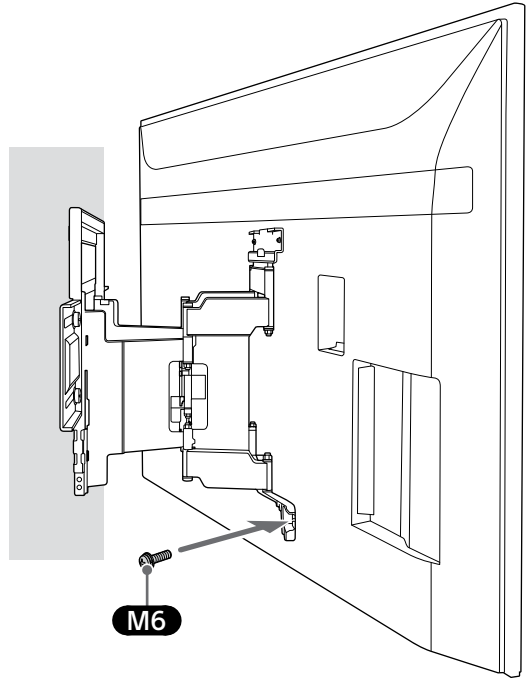
1



2

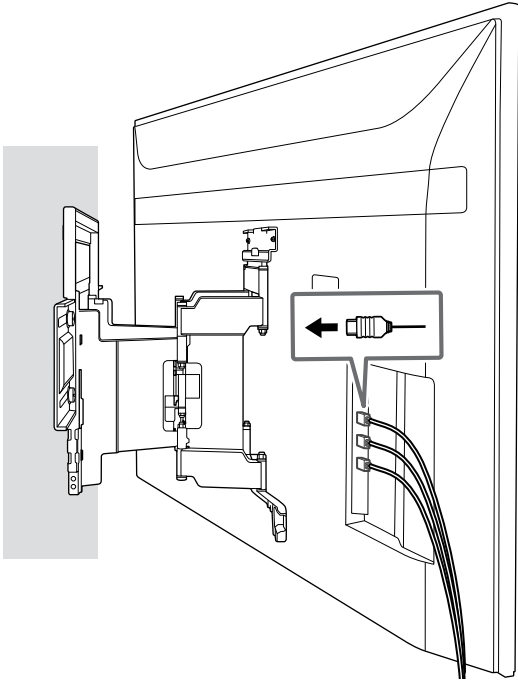


3 Skru inn venstre og høyre side av veggmonteringsbraketten.

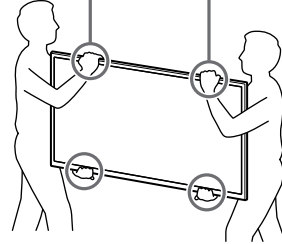


NO

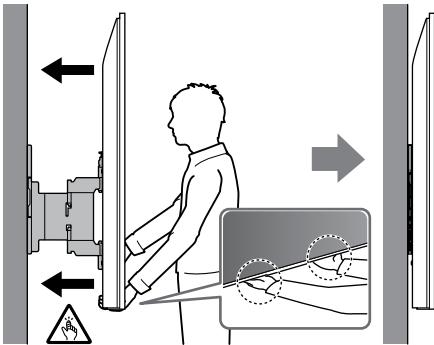
4

**ADVARSEL**

- Sørg for at to eller flere personer (tre eller flere personer for TV-er på 75 tommer eller mer) holder TV-en når den bæres.



5 Hold TV-en godt på bunnen når du flytter den.



Bekreft fullføringen av installasjonen

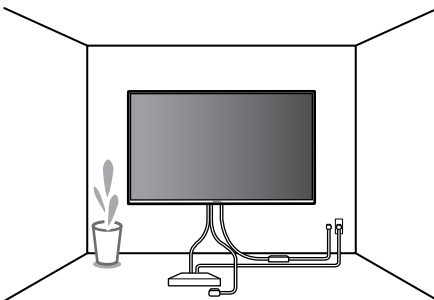
Kontroller følgende punkter.

- Ledningen og kabelen er ikke vridd eller klempt.

ADVARSEL

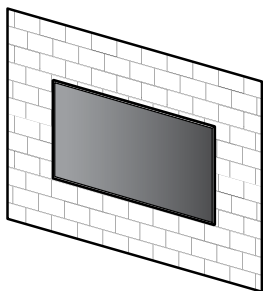
- Feil plassering av strømledningen, e.l. kan forårsake brann eller elektrisk støt på grunn av en kortslutning. Sørg for at installasjonen fullføres på riktig måte.

6

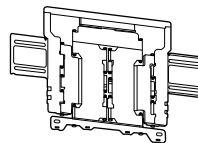


B Feste veggmonteringsbraketten til den solide betongen eller betongblokken

Solid betong eller betongblokk



WM1

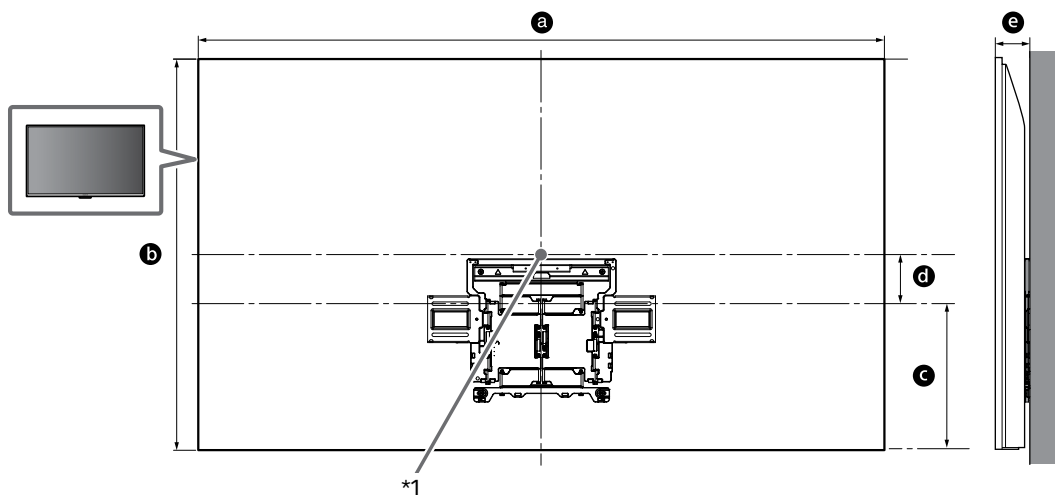


Installere veggmonteringsbraketten på vegg

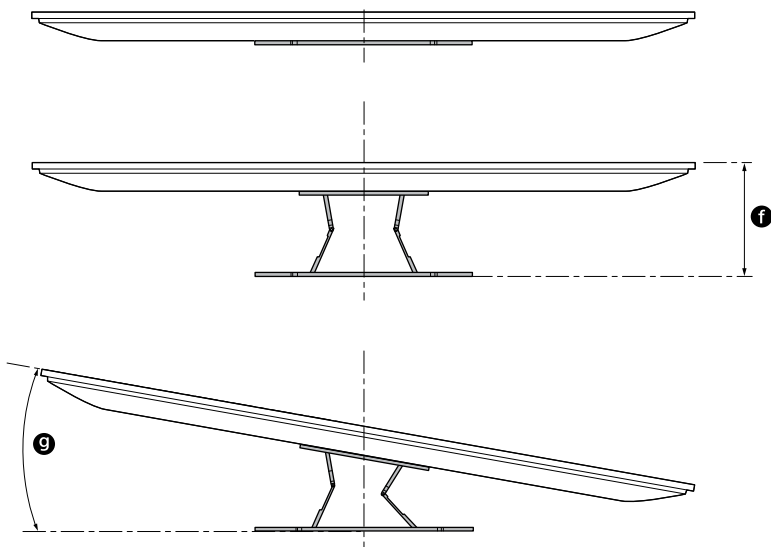
1 Bestemme installasjonsstedet.

Sørg for at vegg har nok plass for TV-en og at den kan støtte en vekt på minst fire ganger TV-ens.

Se følgende tabell om å installere TV-en på vegg. Se TV-ens referanseveiledning for TV-ens vekt.



NO



(mm)

Modellnavn	a	b	c	d	e	f*2	g*2 (°)
KD-75XH80xx	1686	969	364	123	86	288	15
KE-75XH80xx							
KD-65XH81xx	1462	841	365	59	83	287	18
KE-65XH81xx							
KD-65XH80xx							
KE-65XH80xx							
KD-55XH81xx	1243	718	365	3	83	287	20
KE-55XH81xx							
KD-55XH80xx							
KE-55XH80xx							

Tabell over monteringsmålene for TV-en (mm)
Tallene i tabellen kan variere noe avhengig av installasjonen.

*1 (Skjermcenterpunkt)

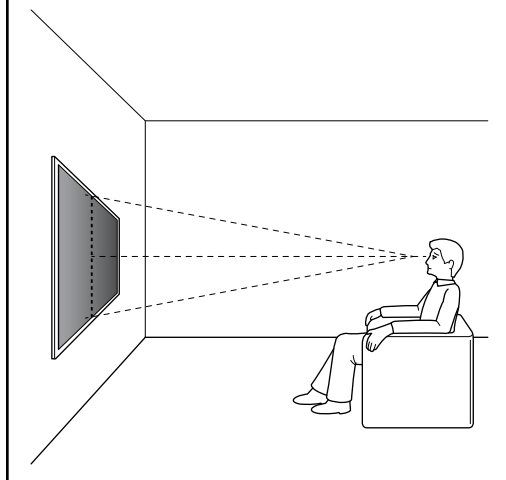
*2 (ca.)

Merknad

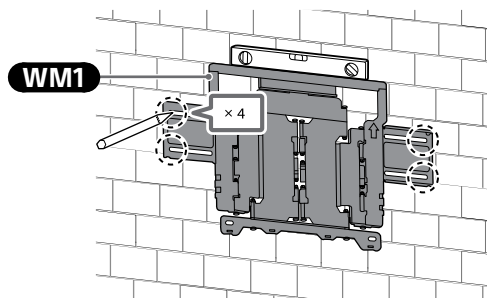
- Når TV-en er installert på veggen, lener øvre side av TV-en noe fremover.

Merknad

- Vi anbefaler at du sjekker posisjonen til TV-en i visningsmiljøet.



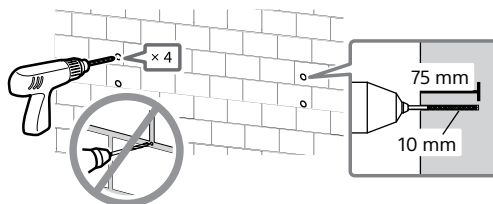
- 2 Sett **WM1** på linje på veggen og sett fire merker.



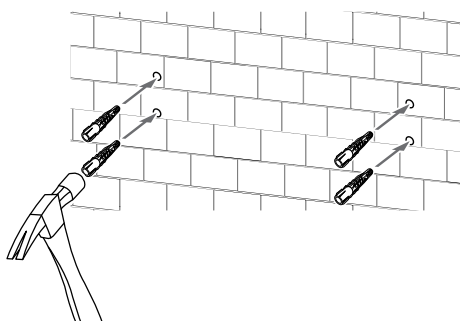
Merknad

- Bruk et vater til å sjekke om **WM1** er plan.

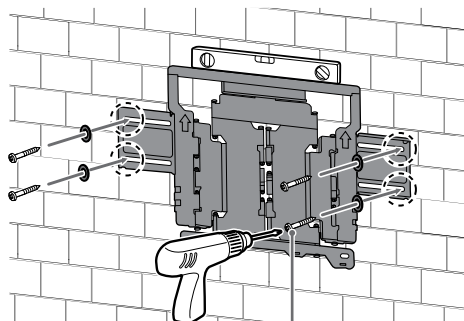
- 3 Drill lede hull på merkene.



- 4



- 5 Monter **WM1** på veggen med egnede skruer (medfølger ikke) og skiver (medfølger ikke).



8 mm x 60 mm

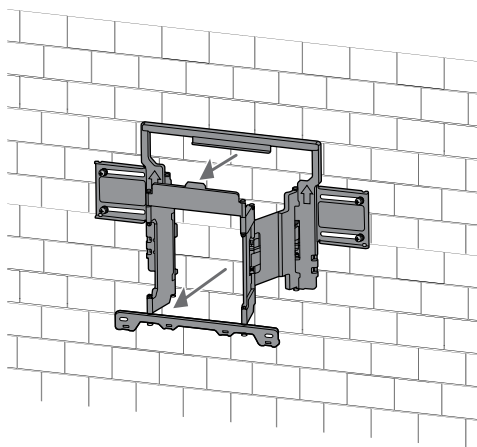
Merknad

- Bruk et vater til å sjekke om veggmonteringsbraketten er plan.

Forholdsregel

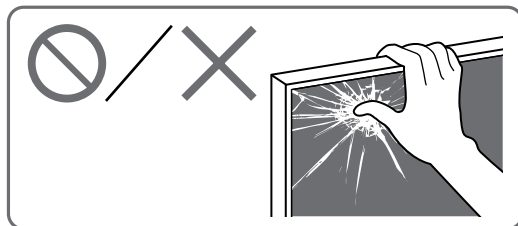
- Ikke overstram treskruen (8 mm x 60 mm). Feil tilstramming kan redusere holdekraften til treskruen (8 mm x 60 mm).

6 Dra armen på braketten helt ut.

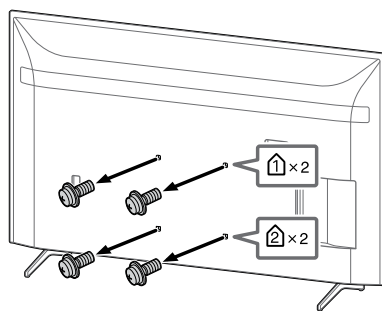


Forberede installasjonen av TV-en

Husk å feste bordstativ før du installerer TV-en på veggen ved å henvise til Innstillingsveiledning.



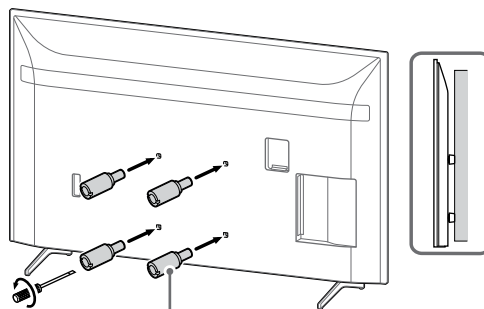
1 Fjern skruene fra baksiden av TV-en.



Merknad

- Sørg for at ubrukte deler og skruene du har fjernet blir oppbevart på en trygg plass, utenfor barns rekkevidde.

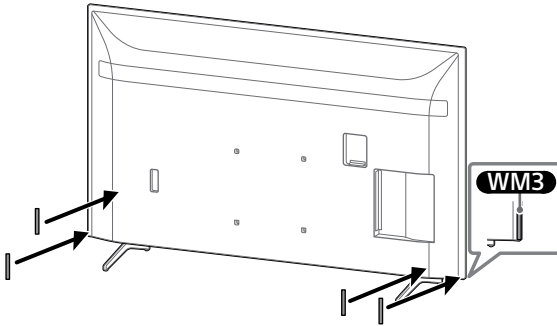
2 Fest veggmonteringsfestet (følger med TVen) bak på TVen (for å gjøre den parallell med veggen).



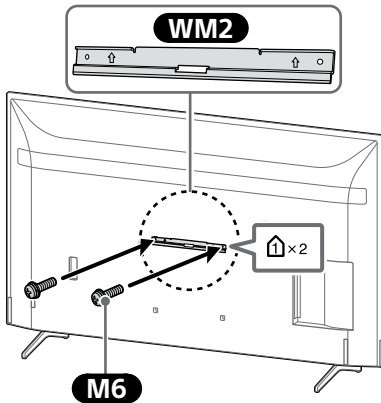
1,5 N·m
{15 kgf·cm}

VS

3 Fest **WM3**.

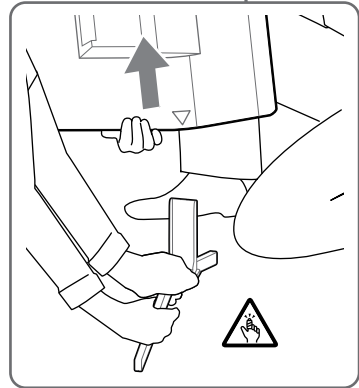
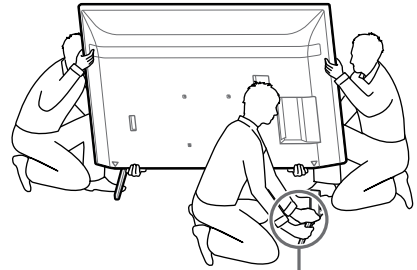


4 Fest **WM2** til TV-en med **M6**.



5 Demonter bordstativet fra TV-en.

- Fjern den ene siden av bordstativet om gangen. Hold bordstativet godt fast med begge hender mens den andre personen løfter opp TV-en.



- Gjenta det forrige trinnet og fjern den andre siden av bordstativet.

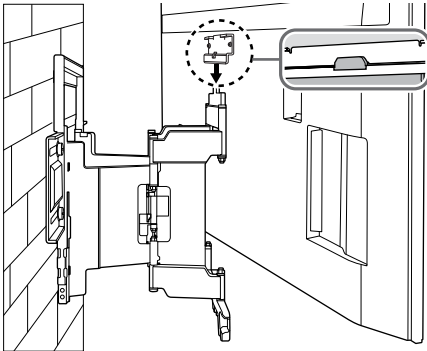
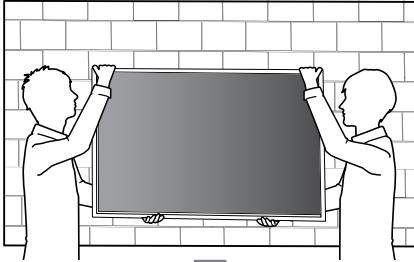
Merknad

- Tre eller flere personer er nødvendig for å løsne bordstativet.
- Vær forsiktig så du ikke bruker for mye kraft når bordstativet løsnes fra TV-en, da dette kan medføre at TV-en faller ned og også medføre personskader eller fysiske skader på TV-en.
- Vær forsiktig ved håndtering av bordstativet for å hindre skader på TV-en.
- Vær forsiktig når TV-en løftes, da bordstativet er løsnet, bordstativet kan vippe over og medføre personskader.
- Vær forsiktig når bordstativet fjernes fra TV-en for å hindre at det faller ned og skader overflaten på TV-en som det er festet til.

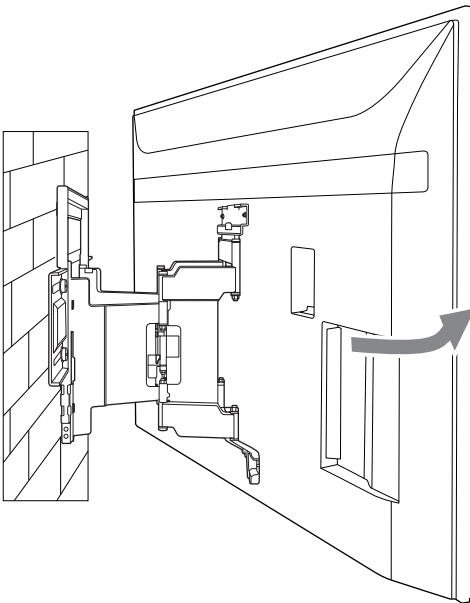
Installere TV-en på vegg



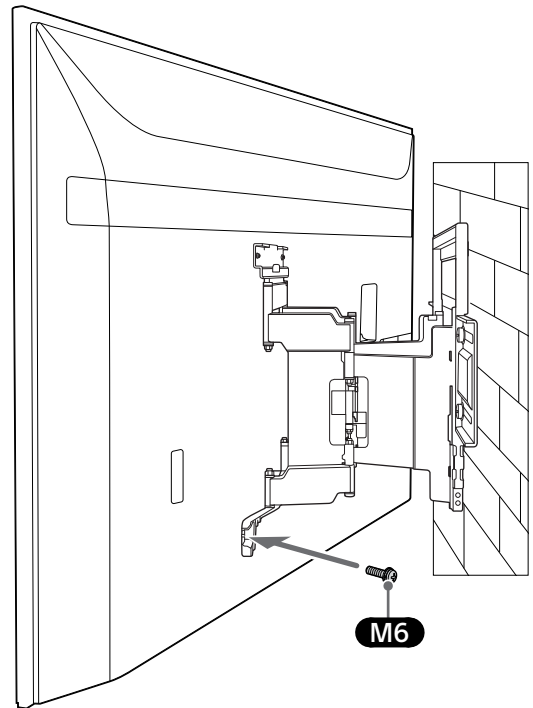
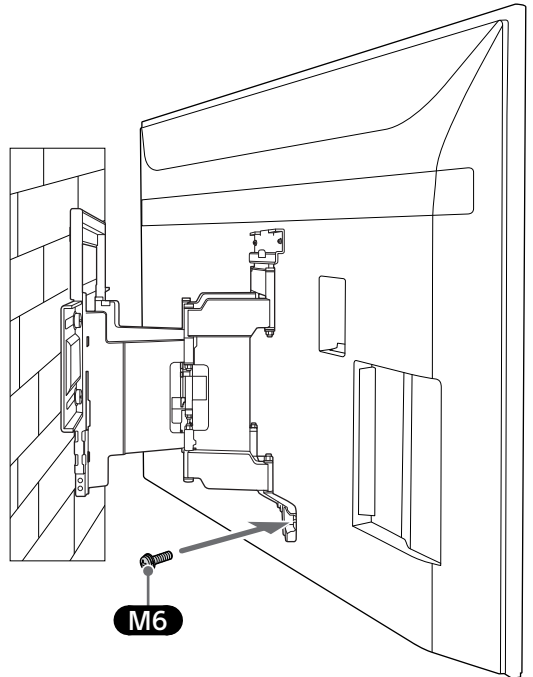
1



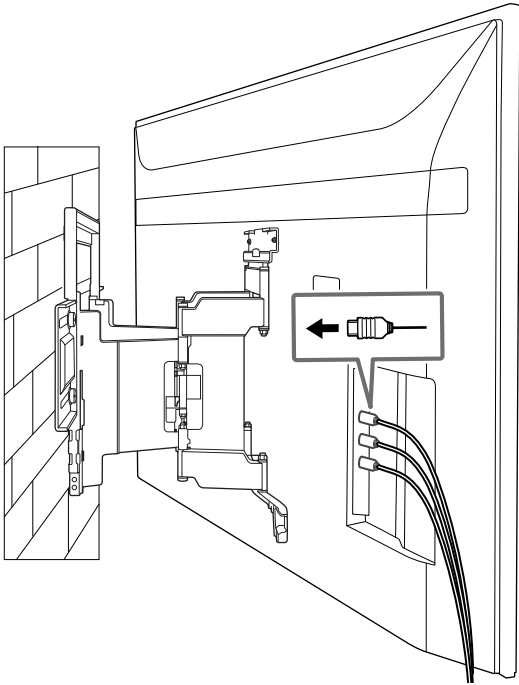
2



3 Skru inn venstre og høyre side av veggmonteringsbraketten.

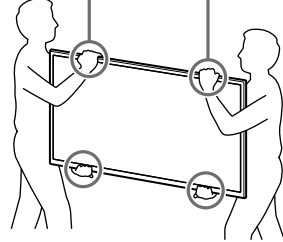


4

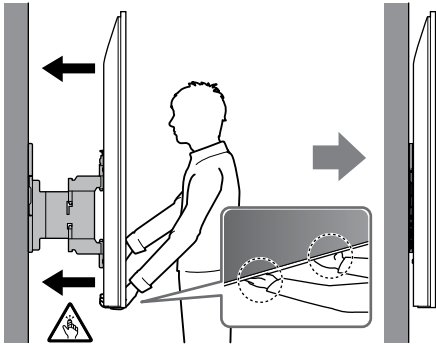


ADVARSEL

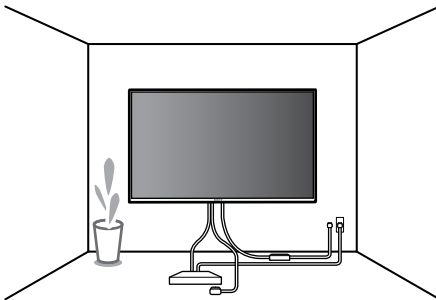
- Sørg for at to eller flere personer (tre eller flere personer for TV-er på 75 tommer eller mer) holder TV-en når den bæres.



5 Hold TV-en godt på bunnen når du flytter den.



6



NO

Bekreft fullføringen av installasjonen

Kontroller følgende punkter.

- Ledningen og kabelen er ikke vridd eller klempt.

ADVARSEL

- Feil plassering av strømledningen, e.l. kan forårsake brann eller elektrisk støt på grunn av en kortslutning. Sørg for at installasjonen fullføres på riktig måte.

Annen informasjon

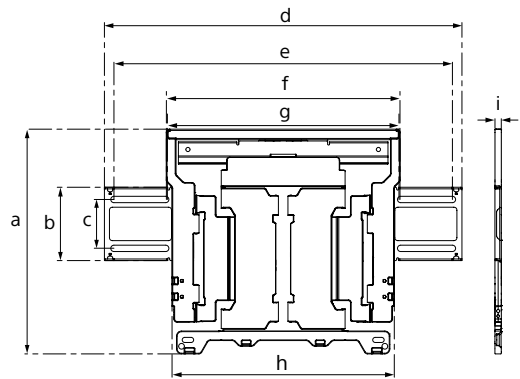
Når du fjerner TV-en, utfører du installasjonen i motsatt rekkefølge.

ADVARSEL

- Sørg for at to eller flere personer (tre eller flere personer for TV-er på 75 tommer eller mer) holder TV-en når den fjernes.

Spesifikasjoner

WM1



Mål: (Ca.) [mm]

a : 354
b : 116
c : 77
d : 563
e : 533
f : 370
g : 368
h : 350
i : 11

Vekt (kun sokkel): (Ca.) [kg]

3,0

Design og spesifikasjoner kan endres uten forvarsel.

Πληροφορίες εγκατάστασης για τη Χρήση της Επιτοίχιας βάσης της Sony (SU-WL850)

Υποστηριζόμενα μοντέλα*:

KD-75XH80xx / 65XH81xx / 65XH80xx / 55XH81xx / 55XH80xx

KE-75XH80xx / 65XH81xx / 65XH80xx / 55XH81xx / 55XH80xx

* Στις πραγματικές ονομασίες των μοντέλων, το "xx" υποδεικνύει τους αριθμούς ή/και χαρακτήρες του συγκεκριμένου μοντέλου.

Προς τους πελάτες

Για λόγους προστασίας και ασφάλειας του προϊόντος, η Sony συνιστά ένθερμα η εγκατάσταση της τηλεόρασής σας να πραγματοποιείται από αντιπροσώπους της Sony ή εξουσιοδοτημένους τεχνικούς. Μην επιχειρήσετε να την εγκαταστήσετε μόνοι σας.

Προς τους αντιπροσώπους της Sony και τους τεχνικούς

Δώστε μεγάλη προσοχή στην ασφάλεια κατά την εγκατάσταση, την περιοδική συντήρηση και τον έλεγχο του προϊόντος αυτού.

Απαιτείται επαρκής εμπειρία για την εγκατάσταση του προϊόντος αυτού και ειδικότερα για να προσδιοριστεί η αντοχή του τοίχου που θα συγκρατεί το βάρος της τηλεόρασης. Αναθέστε την τοποθέτηση του προϊόντος αυτού στον τοίχο σε αντιπροσώπους της Sony ή σε εξουσιοδοτημένους τεχνικούς και δείξτε την απαραίτητη προσοχή στα θέματα ασφάλειας κατά την εγκατάσταση. Η Sony δεν αναλαμβάνει καμία ευθύνη για τυχόν ζημιά ή τραυματισμό που ενδέχεται να προκληθεί από λανθασμένους χειρισμούς ή ακατάλληλη εγκατάσταση.

Για ασφάλεια και σωστή εγκατάσταση, ακολουθήστε τις Οδηγίες λειτουργίας της Επιτοίχιας βάσης, τον Οδηγό εγκατάστασης της τηλεόρασης και τις οδηγίες σε αυτό το εγχειρίδιο.

Επιτοίχια Βάση

Σχετικά με την ασφάλεια

Σας ευχαριστούμε που αγοράσατε αυτό το προϊόν.

Προς τους πελάτες

Εγκατάσταση της τηλεόρασης στον τοίχο



ΠΡΟΕΙΔΟΠΟΙΗΣΗ

ΑΠΑΙΤΕΙΤΑΙ ΕΓΚΑΤΑΣΤΑΣΗ ΑΠΟ ΕΙΔΙΚΟ

Το προϊόν αυτό θα πρέπει να τοποθετείται μόνο από ειδικό εγκατάστασης, ο οποίος θα είναι κατάλληλα καταρτισμένος ώστε να υπολογίσει την αντοχή του τοίχου, προκειμένου να δεχθεί το βάρος της τηλεόρασης. Αν δεν στερεωθεί κατάλληλα κατά την εγκατάσταση, η τηλεόραση μπορεί να πέσει και να προκαλέσει σοβαρό τραυματισμό. Η Sony δεν φέρει καμία ευθύνη για τυχόν υλική ζημιά ή τραυματισμό που θα προκληθεί από λάθος χειρισμό ή ακατάλληλη εγκατάσταση, ή λόγω εγκατάσταση οποιουδήποτε άλλου εκτός από το καθορισμένο προϊόν. Δεν επιτρεάονται τα νόμιμα δικαιώματά σας (εάν υπάρχουν).

Προς τους αντιπροσώπους της Sony

Για την εγκατάσταση αυτού του προϊόντος απαιτείται επαρκής τεχνική κατάρτιση. Διαβάστε προσεκτικά το παρόν εγχειρίδιο οδηγιών, έτσι ώστε να εκτελέσετε τις εργασίες εγκατάστασης με ασφάλεια. Η Sony δεν αναλαμβάνει καμία ευθύνη για τυχόν ζημιά ή τραυματισμό που ενδέχεται να προκληθεί από λανθασμένους χειρισμούς ή ακατάλληλη εγκατάσταση. Μετά την εγκατάσταση, παραδώστε αυτό το εγχειρίδιο στον πελάτη.

Στο παρόν εγχειρίδιο οδηγιών παρουσιάζεται ο σωστός τρόπος χειρισμού του προϊόντος, καθώς και σημαντικές προφυλάξεις, οι οποίες είναι απαραίτητες για την αποφυγή ατυχημάτων. Αποτελεί δική σας ευθύνη να διαβάσετε, να κατανοήσετε πλήρως και να ακολουθήσετε όλες τις οδηγίες που δίνονται σε αυτό το εγχειρίδιο οδηγιών. Σε αντίθετη περίπτωση, μπορεί να προκληθεί σοβαρός τραυματισμός ή υλική ζημιά και η εγγύηση να καταστεί άκυρη. Φυλάξτε το παρόν εγχειρίδιο για μελλοντική χρήση.

Τα προϊόντα της Sony σχεδιάζονται με γνώμονα την ασφάλεια. Σε περίπτωση λανθασμένου χειρισμού ενδέχεται να προκληθεί σοβαρός τραυματισμός λόγω πυρκαγιάς, ηλεκτροπληξίας, ανατροπής ή πτώσης του προϊόντος. Για να αποφύγετε τέτοιου είδους ατυχήματα, βεβαιωθείτε ότι λαμβάνετε τις προφυλάξεις ασφάλειας.

ΠΡΟΣΟΧΗ

Συμβατά προϊόντα

Αυτή η Επιτοίχια βάση έχει σχεδιαστεί για χρήση με τα καθορισμένα μοντέλα τηλεόρασης. Ανατρέξτε στον αντίστοιχο "Οδηγός αναφοράς" της τηλεόρασης για να βεβαιωθείτε ότι μπορείτε να χρησιμοποιήσετε την Επιτοίχια Βάση.

Προς τους πελάτες

ΠΡΟΕΙΔΟΠΟΙΗΣΗ

Εάν δεν ληφθούν οι ακόλουθες προφυλάξεις, ενδέχεται να προκληθεί σοβαρός τραυματισμός ή θάνατος λόγω πυρκαγιάς, ηλεκτροπληξίας, ανατροπής ή πτώσης του προϊόντος.

Φροντίστε να αναθέσετε την εγκατάσταση σε εξουσιοδοτημένους τεχνικούς και κρατήστε μακριά τα παιδιά κατά τη διάρκεια της εγκατάστασης.

Εάν η Επιτοίχια βάση ή η τηλεόραση δεν εγκατασταθούν σωστά, ενδέχεται να προκληθούν τα ατυχήματα που αναφέρονται παρακάτω. Βεβαιωθείτε ότι η εγκατάσταση θα εκτελεστεί από εξουσιοδοτημένους τεχνικούς.

- Η τηλεόραση ενδέχεται να πέσει και να προκαλέσει σοβαρούς τραυματισμούς, όπως μώλωπες ή κατάγματα.
- Εάν ο τοίχος στον οποίο θα εγκαταστήσετε την Επιτοίχια βάση είναι ασταθής, ανομοιομορφος ή δεν είναι κατακόρυφος προς το δάπεδο, ενδέχεται να προκληθεί πτώση της μονάδας με συνέπεια τραυματισμούς ή υλικές ζημιές. Ο τοίχος θα πρέπει να έχει την κατάλληλη αντοχή για να δεχθεί βάρος τουλάχιστον εξαπλάσιο από το βάρος της τηλεόρασης. (Ανατρέξτε στον "Οδηγός αναφοράς" της τηλεόρασής σας για το βάρος της.)
- Εάν η Επιτοίχια βάση δεν στερεωθεί σταθερά στον τοίχο, ενδέχεται να προκληθεί πτώση της μονάδας με συνέπεια τραυματισμούς ή υλικές ζημιές.

Αναθέστε τη μεταφορά ή την αφαίρεση της τηλεόρασης σε εξουσιοδοτημένους τεχνικούς.

Εάν η μεταφορά ή η αφαίρεση της τηλεόρασης πραγματοποιηθεί από μη εξουσιοδοτημένο προσωπικό, ενδέχεται να προκληθεί πτώση με συνέπεια τραυματισμούς ή υλικές ζημιές. Φροντίστε η μεταφορά ή η αφαίρεση της τηλεόρασης να πραγματοποιηθεί από δύο ή περισσότερα άτομα (τρία ή περισσότερα άτομα για τηλεοράσεις μεγαλύτερες από 75 ίντσες).

Μην αφαιρείτε βίδες κλπ. μετά την τοποθέτηση της τηλεόρασης.

Σε διαφορετική περίπτωση, ενδέχεται να προκληθεί πτώση της τηλεόρασης με συνέπεια τραυματισμούς ή υλικές ζημιές.

Μην τροποποιείτε τα εξαρτήματα της Επιτοίχιας Βάσης.

Σε διαφορετική περίπτωση, ενδέχεται να προκληθεί πτώση της Επιτοίχιας Βάσης με συνέπεια τραυματισμούς ή υλικές ζημιές.

Μην τοποθετείτε συσκευές διαφορετικές από τις καθορισμένες.

Αυτή η Επιτοίχια βάση έχει σχεδιαστεί για χρήση μόνο με το καθορισμένο προϊόν. Εάν τοποθετήσετε συσκευή διαφορετική από αυτήν που καθορίζεται, ενδέχεται να προκληθεί πτώση ή θραύση της συσκευής με συνέπεια τραυματισμούς ή υλικές ζημιές.

Μην τοποθετείτε στην Επιτοίχια βάση άλλα φορτία εκτός από την τηλεόραση.

Μην κινείτε την τηλεόραση προς τα αριστερά/δεξιά ή προς τα πάνω/κάτω.

Σε διαφορετική περίπτωση, ενδέχεται να προκληθεί πτώση της τηλεόρασης με συνέπεια τραυματισμούς ή υλικές ζημιές.

Μην στηρίζετε και μην κρέμεστε από την τηλεόραση.

Μην στηρίζετε και μην κρέμεστε από την τηλεόραση, καθώς ενδέχεται να προκληθεί πτώση της με συνέπεια σοβαρό τραυματισμό.

ΠΡΟΣΟΧΗ

Εάν δεν ληφθούν οι ακόλουθες προφυλάξεις, ενδέχεται να προκληθούν τραυματισμοί ή υλικές ζημιές.

- Προσέξτε να μην πιάσετε τα δάκτυλά σας κατά το χειρισμό της Επιτοίχιας Βάσης ή κατά την περιστροφή της τηλεόρασης.
- Στρέψτε την τηλεόραση αργά, προσέχοντας να μην χτυπήσετε άτομα που βρίσκονται κοντά.
- Φροντίστε να αποθηκεύσετε τα εξαρτήματα που δεν χρησιμοποιούνται σε ασφαλές μέρος για μελλοντική χρήση. Κρατήστε τα μακριά από παιδιά.

GR

Μην ασκείτε υπερβολική δύναμη στο προϊόν κατά τον καθαρισμό ή τις εργασίες συντήρησης.

Μην ασκείτε υπερβολική δύναμη στην επάνω πλευρά της τηλεόρασης. Σε διαφορετική περίπτωση, ενδέχεται να προκληθεί πτώση της τηλεόρασης με συνέπεια τραυματισμούς ή υλικές ζημιές.

Προφυλάξεις

- Εάν η τηλεόραση παραμένει συνδεδεμένη στην Επιτοίχια βάση για μεγάλο χρονικό διάστημα, η επιφάνεια του τοίχου πίσω ή επάνω από την τηλεόραση ενδέχεται να ξεθωριάσει ή η ταπετσαρία ενδέχεται να ξεκολλήσει, ανάλογα με το υλικό κατασκευής του τοίχου.
- Εάν η Επιτοίχια βάση αφαιρεθεί αφού εγκατασταθεί στον τοίχο, θα παραμείνουν οι οπές των βιδών.
- Μην χρησιμοποιείτε την Επιτοίχια βάση σε σημεία που υπόκεινται σε μηχανικούς κραδασμούς.

Εγκατάσταση της Επιτοίχιας Βάσης

Προς τους αντιπροσώπους της Sony

ΠΡΟΕΙΔΟΠΟΙΗΣΗ

Οι ακόλουθες οδηγίες αφορούν μόνον τους αντιπροσώπους της Sony. Διαβάστε τις προφυλάξεις ασφάλειας που περιγράφονται παραπάνω και τηρήστε τα μέτρα ασφάλειας κατά τη διάρκεια της εγκατάστασης, της συντήρησης και του ελέγχου αυτού του προϊόντος.

Μην εγκαθιστάτε την Επιτοίχια βάση σε επιφάνειες τοίχου όπου οι γωνίες ή οι πλευρές της τηλεόρασης θα προεξέχουν από την επιφάνεια του τοίχου.

Μην εγκαθιστάτε την Επιτοίχια βάση σε επιφάνειες τοίχου, όπως κολόνες, όπου οι γωνίες ή οι πλευρές της τηλεόρασης θα προεξέχουν από την επιφάνεια του τοίχου. Εάν κάποιο άτομο ή κάποιο αντικείμενο προσκρούσει σε γωνία ή σε πλευρά της τηλεόρασης η οποία προεξέχει από την επιφάνεια του τοίχου, ενδέχεται να προκληθούν τραυματισμοί ή υλικές ζημιές.

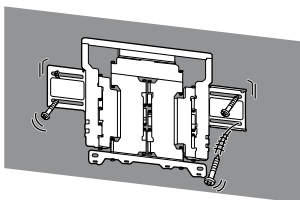


Μην τοποθετείτε την τηλεόραση επάνω ή κάτω από συσκευές κλιματισμού.

Εάν η τηλεόραση παραμένει εκτεθειμένη σε διαρροή νερού ή ρεύμα αέρα από συσκευή κλιματισμού για μεγάλο χρονικό διάστημα, ενδέχεται να προκληθεί πυρκαγιά, ηλεκτροπληξία ή δυσλειτουργία της τηλεόρασης.

Εγκαταστήστε την Επιτοίχια βάση σταθερά στον τοίχο, ακολουθώντας τις οδηγίες που παρέχονται στο παρόν εγχειρίδιο οδηγιών.

Σε περίπτωση μερικής ή πλήρους χαλάρωσης των βιδών, ενδέχεται να προκληθεί πτώση της Επιτοίχιας Βάσης με συνέπεια τραυματισμούς ή υλικές ζημιές. Βεβαιωθείτε ότι χρησιμοποιείτε τις κατάλληλες βίδες για το υλικό του τοίχου και εγκαταστήστε τη μονάδα με ασφάλεια χρησιμοποιώντας τέσσερις βίδες διαμέτρου 8 mm (ή άλλες ισοδύναμες).



Χρησιμοποιήστε τις βίδες που παρέχονται στη συσκευασία, καθώς και τα συνδεδειμένα εξαρτήματα σύμφωνα με τις οδηγίες που παρέχονται στο παρόν εγχειρίδιο. Εάν χρησιμοποιήσετε υποκατάστατα εξαρτήματα, ενδέχεται να προκληθεί πτώση της τηλεόρασης με συνέπεια τραυματισμούς ή υλικές ζημιές στην τηλεόραση.

Συναρμολογήστε σωστά τα εξαρτήματα του στηρίγματος, ακολουθώντας τη διαδικασία που περιγράφεται στο παρόν εγχειρίδιο οδηγιών.

Σε περίπτωση μερικής ή πλήρους χαλάρωσης της σύσφιξης σε κάποια από τις βίδες, ενδέχεται να προκληθεί πτώση της τηλεόρασης με συνέπεια τραυματισμούς ή ζημιά στην τηλεόραση.

Σφίξτε τις βίδες και βεβαιωθείτε ότι έχουν τοποθετηθεί στη σωστή θέση.

Σε αντίθετη περίπτωση, ενδέχεται να προκληθεί πτώση της τηλεόρασης με συνέπεια τραυματισμούς ή ζημιά στην τηλεόραση.

Μην υποβάλλετε την τηλεόραση σε κραδασμούς κατά την τοποθέτηση της.

Σε διαφορετική περίπτωση, ενδέχεται να προκληθεί πτώση και θραύση της τηλεόρασης. Επίσης, υπάρχει πιθανότητα τραυματισμού.

Τοποθετήστε την τηλεόραση σε τοίχο ο οποίος είναι κατακόρυφος προς το δάπεδο και επίπεδος.

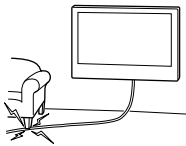
Σε διαφορετική περίπτωση, ενδέχεται να προκληθεί πτώση της τηλεόρασης με συνέπεια τραυματισμούς.

Αφού τοποθετήσετε σωστά την τηλεόραση, ασφαλίστε κατάλληλα τα καλώδια.

Εάν άτομα ή αντικείμενα μπερδευτούν στα καλώδια, ενδέχεται να προκληθούν τραυματισμοί ή ζημιά στην τηλεόραση.

Αποφύγετε την άσκηση πιέσεων στο καλώδιο τροφοδοσίας ή στο καλώδιο σύνδεσης.

Εάν το καλώδιο τροφοδοσίας ή το καλώδιο σύνδεσης συμπιέζεται ανάμεσα στην συσκευή και στον τοίχο ή λυγίσει ή στρεβλωθεί λόγω άσκησης πίεσης, υπάρχει κίνδυνος έκθεσης των εσωτερικών αγωγών των καλωδίων με συνέπεια βραχυκύκλωμα ή διακοπή ηλεκτρικού ρεύματος. Αυτό ενδέχεται να προκαλέσει πυρκαγιά ή ηλεκτροπληξία.



Οι βίδες που απαιτούνται για τη στερέωση της Επιτοίχιας Βάσης στον τοίχο δεν παρέχονται.

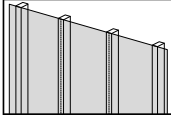
Κατά την τοποθέτηση της Επιτοίχιας βάσης, χρησιμοποιήστε βίδες οι οποίες είναι κατάλληλες για το υλικό κατασκευής και τη δομή του τοίχου.

Πριν ξεκινήσετε

Αρχικά ελέγξτε τον τύπο του τοίχου για την εγκατάσταση της τηλεόρασης.

Από τι υλικό είναι κατασκευασμένος ο τοίχος σας;

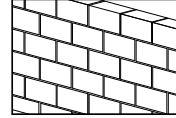
Γυψοσανίδα με καρφιά



Προφυλάξεις

- Μέγιστο πάχος γυψοσανίδας: 16 mm.
- Βεβαιωθείτε ότι το μέγεθος του εσωτερικού ξύλινου καρφιού είναι 51 x 102 mm τουλάχιστον για τα κοινά ή 38 x 89 mm για τα καρφιά ονομαστικών διαστάσεων.
- Διατηρήστε οριζόντια απόσταση 406 mm τουλάχιστον μεταξύ των συνδέσμων.

Συμπαγές τσιμέντο ή τσιμεντόλιθοι



Προφυλάξεις

- Τοποθετήστε την Επιτοίχια Βάση απευθείας στον τοίχο από συμπαγές μπετόν.
- Βεβαιωθείτε ότι το πάχος του τοίχου από συμπαγές μπετόν είναι 203 mm τουλάχιστον.
- Βεβαιωθείτε ότι το μέγεθος κάθε τσιμεντόλιθου είναι 203 x 203 x 406 mm τουλάχιστον.

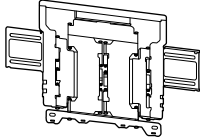

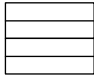

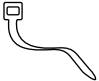
Προετοιμασία για τοποθέτηση

- Να έχετε κοντά σας τον Οδηγό αναφοράς και τον Οδηγό εγκατάστασης της τηλεόρασης πριν από την εγκατάσταση.
- Επαληθεύστε τη θέση τοποθέτησης της τηλεόρασης.
- Προετοιμάστε τέσσερις βίδες διαμέτρου 8 mm και τέσσερις κατάλληλες ροδέλες (δεν παρέχονται).
Επιλέξτε βίδες που είναι κατάλληλες για το υλικό κατασκευής του τοίχου.

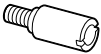
Έλεγχος των εξαρτημάτων

Παρέχονται με το μοντέλο SU-WL850

- Ελέγξτε ότι περιλαμβάνονται όλα τα εξαρτήματα.



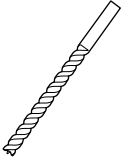
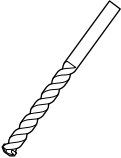
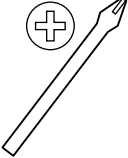




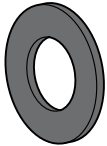

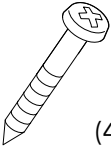
Α WM1 (1) 	Β WM2 (1) 
Γ WM3 (4) 	Δ M6 (4) 
Ε WT1 (6) 	

Παρέχονται με την τηλεόραση

VS Εξάρτημα Επιτοίχιας Βάσης (4) 
--



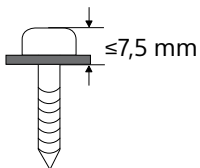
Απαιτούμενα εργαλεία

*1 	  5,5 mm  10 mm 		
*2    1,5 N·m {15 kgf·cm} 			
*3  (4)	*2  (4)	*3  (4) 8 mm x 60 mm	

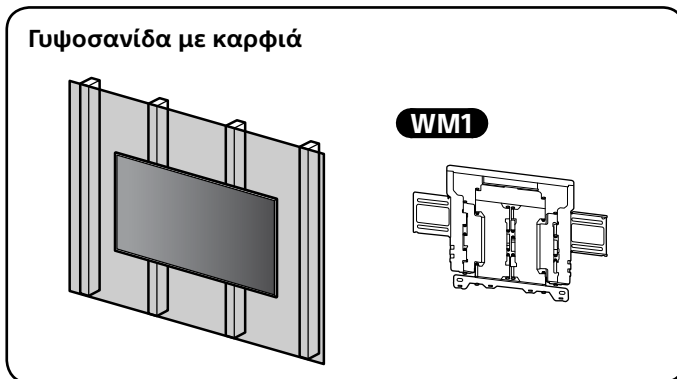
*1 Μόνο για γυψοσανίδες με καρφιά

*2 Μόνο για συμπαγές τσιμέντο ή τσιμεντόλιθους

*3 Pečlivě vyberte šrouby a podložky



A Τοποθέτηση της τηλεόρασης στη γυψοσανίδα με καρφιά



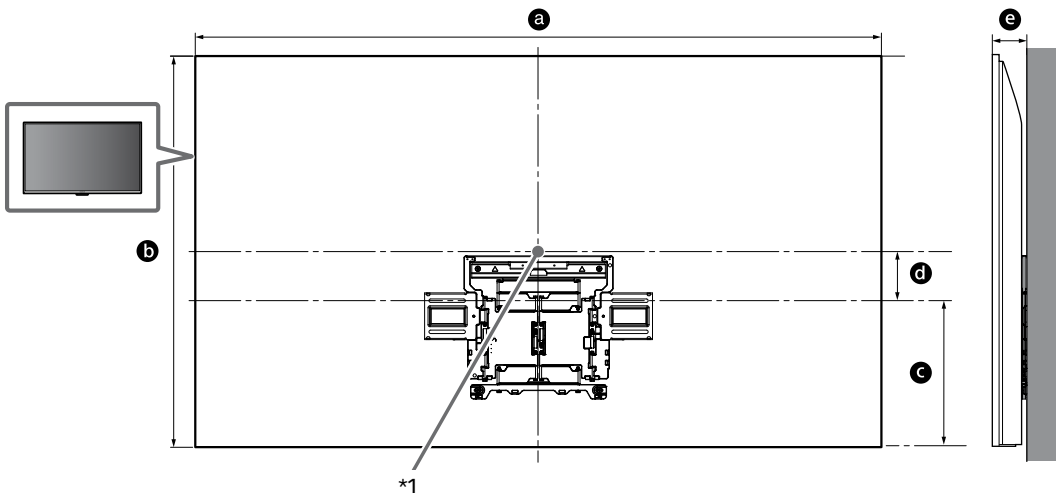
Εγκατάσταση της Επιτοίχιας Βάσης στον τοίχο

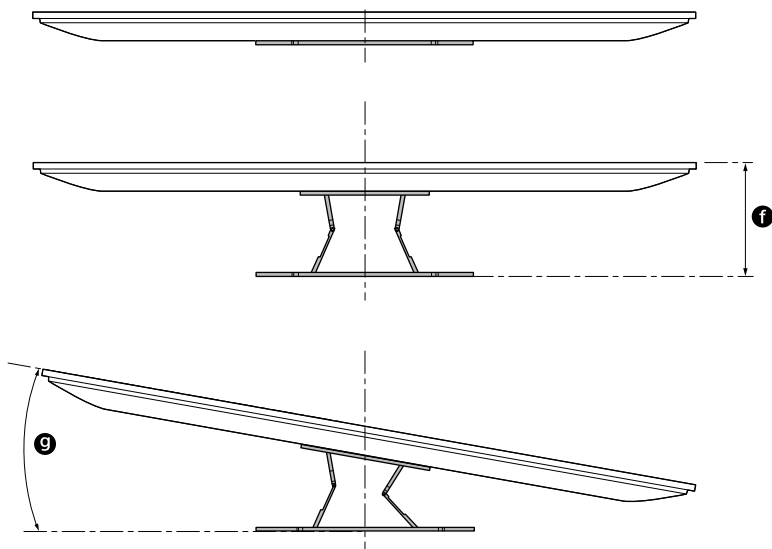
1 Καθορίστε τη θέση τοποθέτησης.

Βεβαιωθείτε ότι στον τοίχο υπάρχει αρκετός χώρος για την τηλεόραση και ότι ο τοίχος μπορεί να στηρίξει βάρος τουλάχιστον τέσσερις φορές μεγαλύτερο από αυτό της τηλεόρασης.

Συμβουλευτείτε τον παρακάτω πίνακα για την εγκατάσταση της τηλεόρασης στον τοίχο.

Ανατρέξτε στον Οδηγό αναφοράς της τηλεόρασής σας για πληροφορίες σχετικά με το βάρος της.





(mm)

Όνομα μοντέλου	a	b	c	d	e	f*2	g*2 (°)
KD-75XH80xx	1.686	969	364	123	86	288	15
KE-75XH80xx							
KD-65XH81xx	1.462	841	365	59	83	287	18
KE-65XH81xx							
KD-65XH80xx							
KE-65XH80xx							
KD-55XH81xx	1.243	718	365	3	83	287	20
KE-55XH81xx							
KD-55XH80xx							
KE-55XH80xx							

Πίνακας διαστάσεων για την εγκατάσταση της τηλεόρασης (mm)

Οι τιμές του πίνακα ενδέχεται να διαφέρουν ελαφρώς ανάλογα με την εγκατάσταση.

*1 (Κεντρικό σημείο οθόνης)

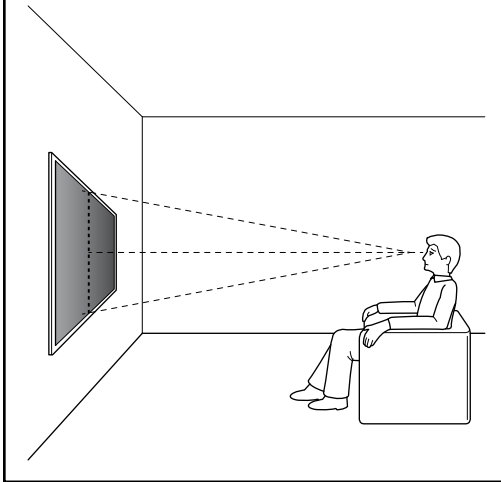
*2 (Περίπου)

Σημείωση

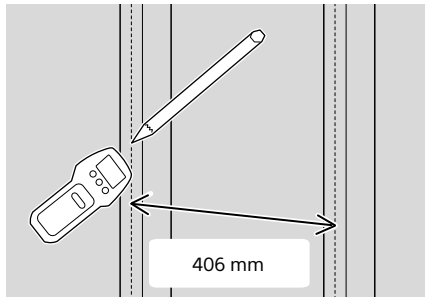
- Όταν η τηλεόραση είναι εγκατεστημένη στον τοίχο, το ανώτερο τμήμα της τηλεόρασης γέρνει ελαφρώς μπροστά.

Σημείωση

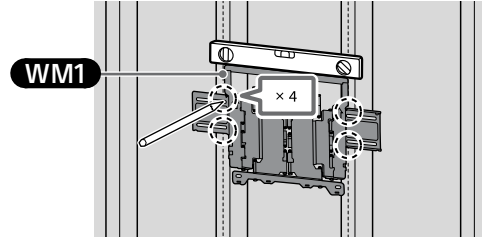
- Συνιστάται να ελέγξετε τη θέση της τηλεόρασης στο περιβάλλον τηλεθέασης.



2



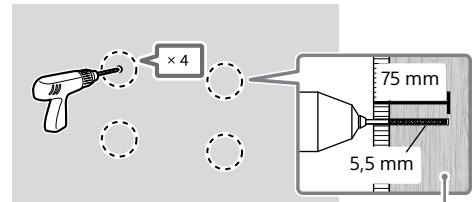
- 3 Ευθυγραμμίστε το τμήμα **WM1** στον τοίχο και σχεδιάστε τέσσερα σημάδια τα οποία θα ευθυγραμμίζονται με τα καρφιά.



Σημείωση

- Χρησιμοποιήστε αλφάδι για να ελέγξετε εάν το **WM1** είναι οριζόντιο.

- 4 Ανοίξτε τις επάνω οπές οδηγούς στα σημάδια.

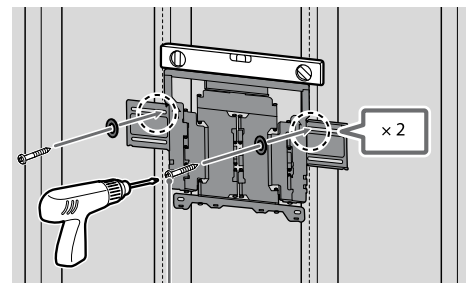


Καρφιά ή Ενίσχυση

Σημείωση

- Οι οπές οδηγού θα πρέπει να ανοιχθούν σε βάθος 75 mm, με χρήση τρυπανιού διαμέτρου 5,5 mm.

- 5 Τοποθετήστε το τμήμα **WM1** στον τοίχο χρησιμοποιώντας κατάλληλες βίδες (δεν παρέχονται) και ροδέλες (δεν παρέχονται).



8 mm × 60 mm

Σημείωση

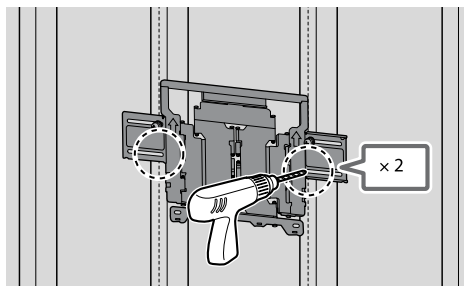
- Χρησιμοποιήστε αλφάδι για να ελέγξετε εάν το **WM1** είναι οριζόντιο.

GR

Προσοχή

- Μη σφίγγετε υπερβολικά την Ξυλόβιδα 8 mm × 60 mm. Το υπερβολικό σφίξιμο μπορεί να μειώσει τη δύναμη συγκράτησης της Ξυλόβιδας 8 mm × 60 mm.

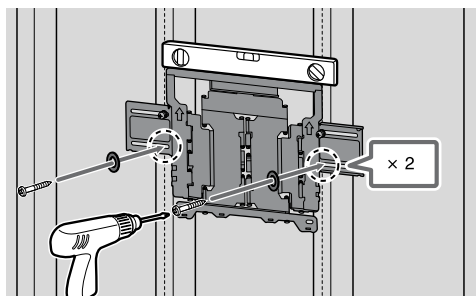
- 6 Ανοίξτε τις κάτω οπές οδηγούς στα σημάδια. (Ανατρέξτε στο βήμα 4 για οδηγίες σχετικά με τη διάνοιξη των οπών.)



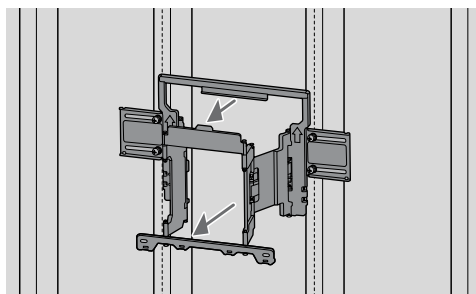
- 7 Τοποθετήστε τις κατάλληλες βίδες και ροδέλες στις οπές.

Σημείωση

- Χρησιμοποιήστε ένα αλφάδι για να ελέγξετε εάν η Επιτοίχια Βάση έχει κλίση.

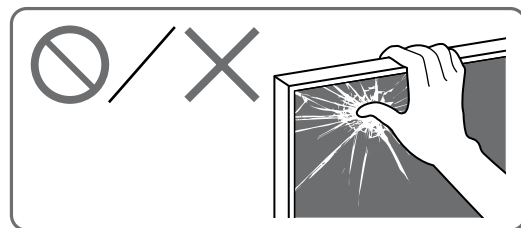


- 8 Τραβήξτε τον βραχίονα της βάσης μέχρι τέρμα.

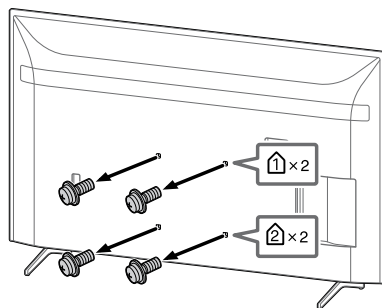


Προετοιμασία για την τοποθέτηση της τηλεόρασης

Βεβαιωθείτε ότι έχετε προσαρτήσει τη βάση επιτραπέζιας τοποθέτησης πριν εγκαταστήσετε την τηλεόραση στον τοίχο ανατρέχοντας στον Οδηγό εγκατάστασης.



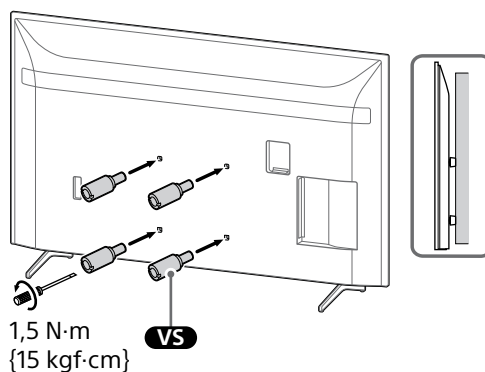
- 1 Αφαιρέστε τις βίδες από το πίσω μέρος της τηλεόρασης.



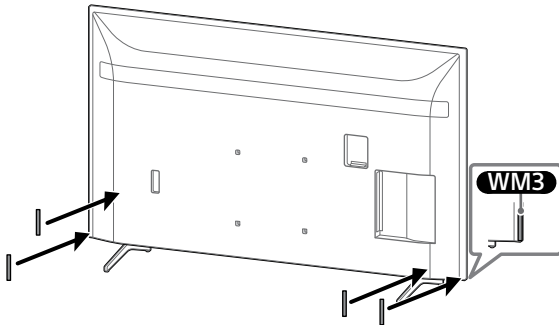
Σημείωση

- Αποθηκεύστε τις βίδες που αφαιρέσατε και τα μη χρησιμοποιημένα εξαρτήματα σε ένα ασφαλές σημείο και φυλάξτε τα μακριά από παιδιά.

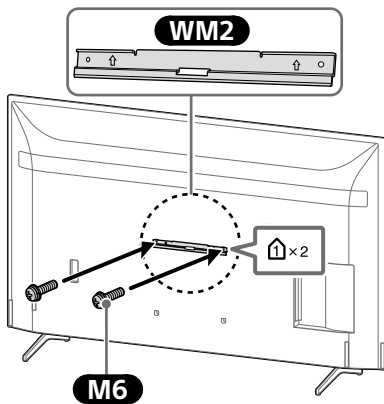
- 2 Συνδέστε το Εξάρτημα Επιτοίχιας Βάσης (παρέχεται με την τηλεόραση) στο πίσω μέρος της τηλεόρασης (για να είναι παράλληλα με τον τοίχο).



3 Τοποθετήστε το **WM3**.

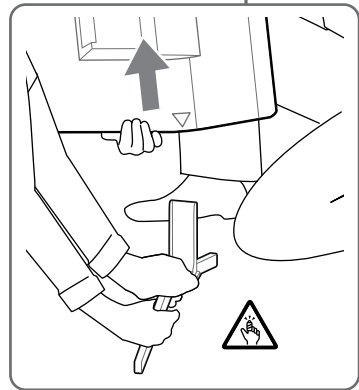
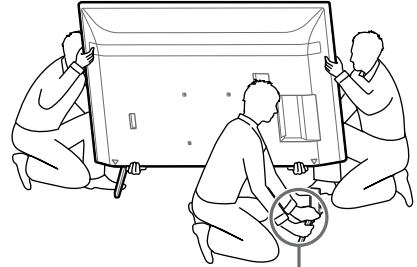


4 Τοποθετήστε το τμήμα **WM2** στην τηλεόραση χρησιμοποιώντας τις βίδες **M6**.



5 Αφαιρέστε τη Βάση επιτραπέζιας τοποθέτησης από την τηλεόραση.

- Αφαιρέστε μία-μία τις πλευρές της βάσης επιτραπέζιας τοποθέτησης. Κρατήστε σταθερά και με ασφάλεια τη βάση επιτραπέζιας τοποθέτησης και με τα δύο χέρια ενώ κάποιος άλλοι ανασηκώνουν την τηλεόραση.

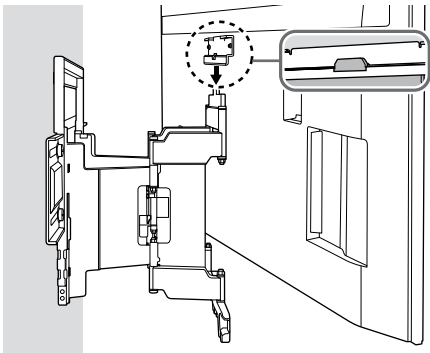
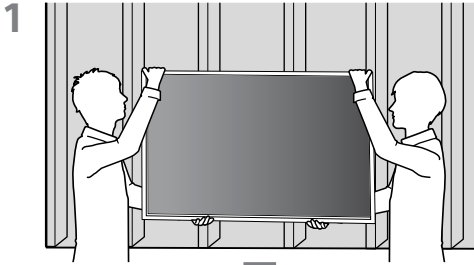


- Επαναλάβετε το προηγούμενο βήμα και αφαιρέστε την άλλη πλευρά της βάσης επιτραπέζιας τοποθέτησης.

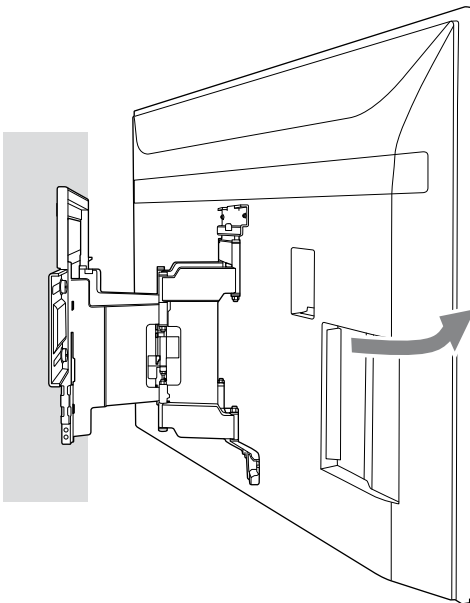
Σημείωση

- Για την αφαίρεση της Βάσης επιτραπέζιας τοποθέτησης απαιτούνται τρία ή περισσότερα άτομα.
- Προσέξτε να μην ασκήσετε υπερβολική δύναμη κατά την αφαίρεση της Βάσης επιτραπέζιας τοποθέτησης από την τηλεόραση καθώς μπορεί να προκληθεί πτώση της τηλεόρασης και, κατά συνέπεια, τραυματισμός ή ζημιά στην τηλεόραση.
- Προσέχετε κατά τον χειρισμό της Βάσης επιτραπέζιας τοποθέτησης για την αποφυγή πρόκληση ζημιάς στην τηλεόραση.
- Προσέχετε όταν σηκώνετε την τηλεόραση καθώς, επειδή έχει αφαιρεθεί η Βάση επιτραπέζιας τοποθέτησης, η Βάση μπορεί να πέσει και να προκληθεί τραυματισμός.
- Προσέχετε όταν αφαιρείτε τη Βάση επιτραπέζιας τοποθέτησης από την τηλεόραση ώστε να μην πέσει και προκαλέσει ζημιά στην επιφάνεια όπου στέκεται η τηλεόραση.

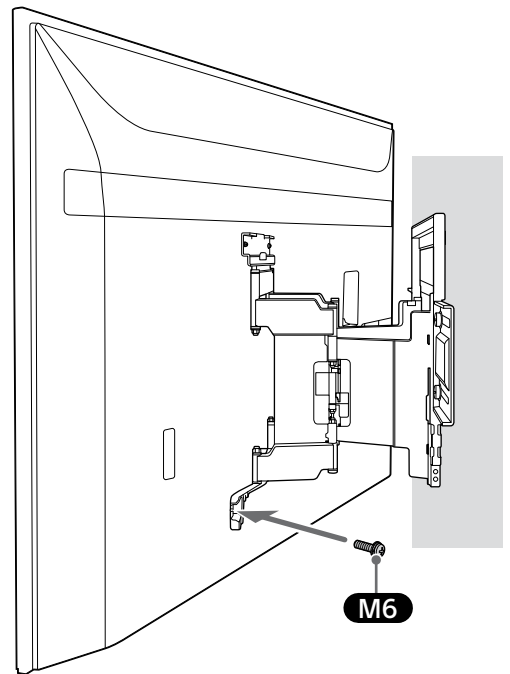
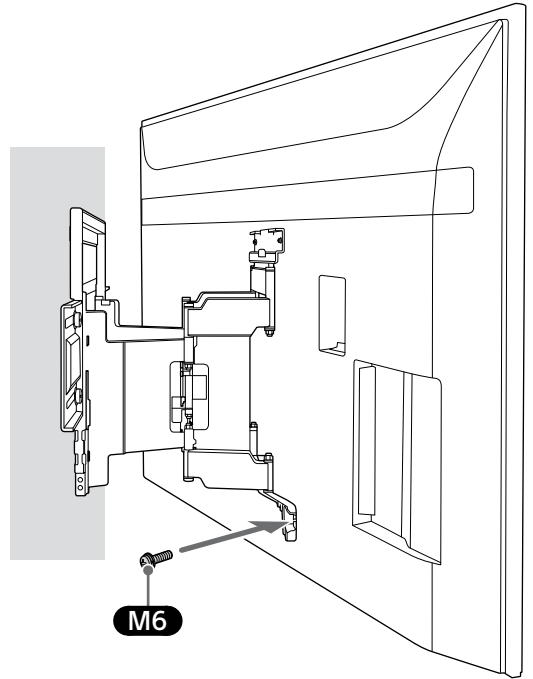
Τοποθέτηση της τηλεόρασης στον τοίχο



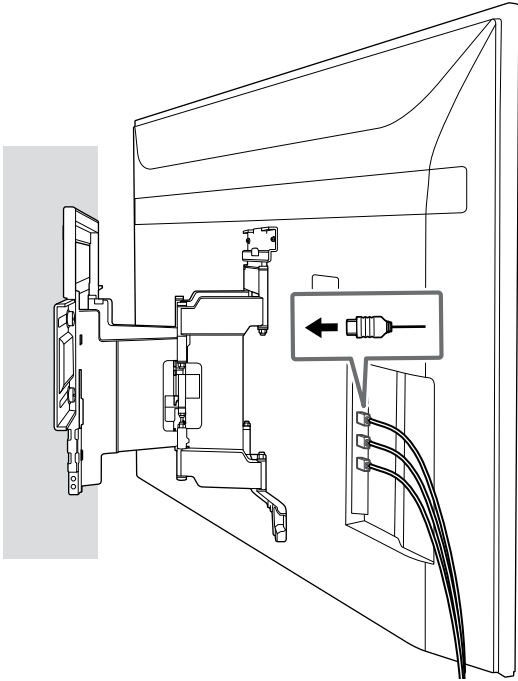
2



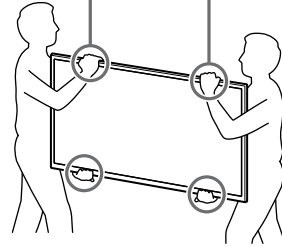
3 Βιδώστε την αριστερή και τη δεξιά πλευρά της Επιτοίχιας Βάσης.



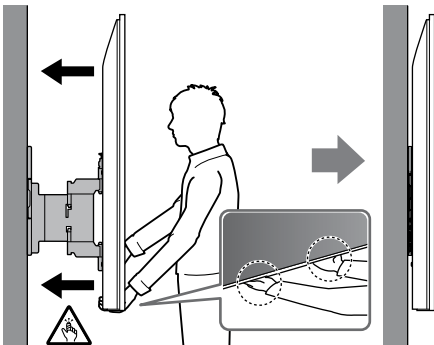
4

**ΠΡΟΕΙΔΟΠΟΙΗΣΗ**

- Βεβαιωθείτε ότι η μεταφορά ή της τηλεόρασης θα πραγματοποιηθεί από δύο ή περισσότερα άτομα (τρία ή περισσότερα άτομα για τηλεοράσεις μεγαλύτερες από 75 ίντσες).



- 5 Όταν μετακινείτε την τηλεόραση, να την κρατάτε καλά από κάτω.



Επαλήθευση της ολοκλήρωσης των εργασιών τοποθέτησης

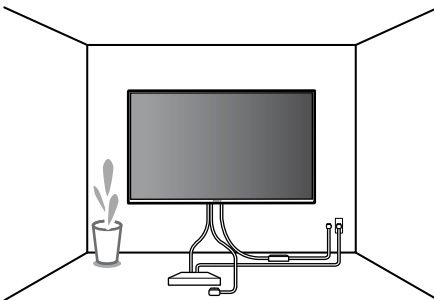
Ελέγξτε τα παρακάτω σημεία.

- Το σχοινί και το καλώδιο δεν έχουν στρεβλωθεί ή συμπιεστεί.

ΠΡΟΕΙΔΟΠΟΙΗΣΗ

- Η λανθασμένη τοποθέτηση του καλωδίου τροφοδοσίας κλπ. μπορεί να προκαλέσει πυρκαγιά ή ηλεκτροπληξία λόγω βραχυκυκλώματος. Για λόγους ασφάλειας, βεβαιωθείτε ότι έχουν ολοκληρωθεί οι εργασίες τοποθέτησης.

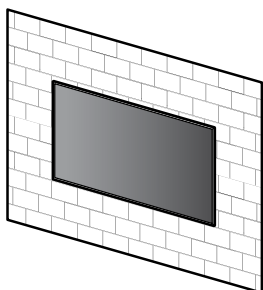
6



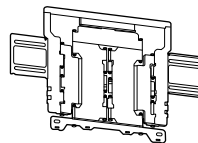
GR

B Τοποθέτηση της Επιτοίχιας Βάσης στο συμπαγές τσιμέντο ή τους τσιμεντόλιθους

Συμπαγές τσιμέντο ή τσιμεντόλιθοι



WM1



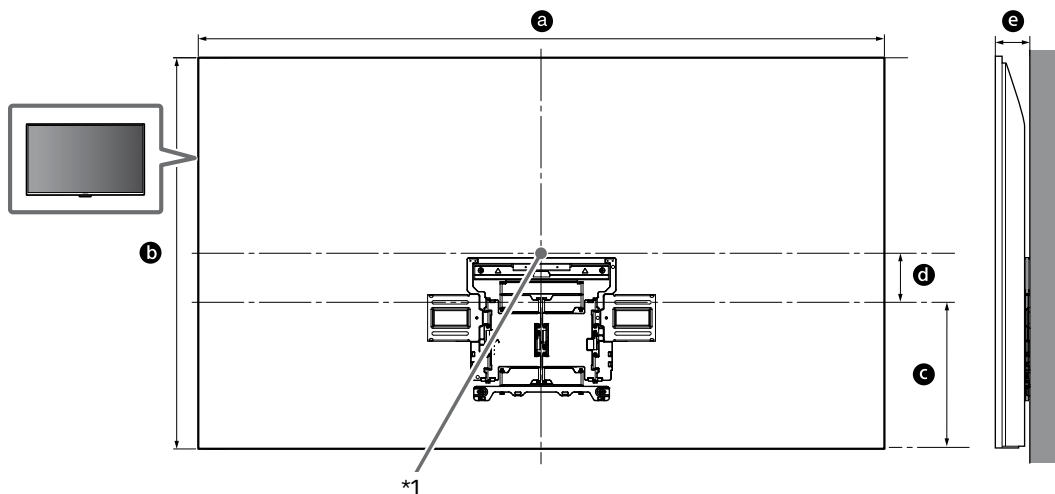
Εγκατάσταση της Επιτοίχιας Βάσης στον τοίχο

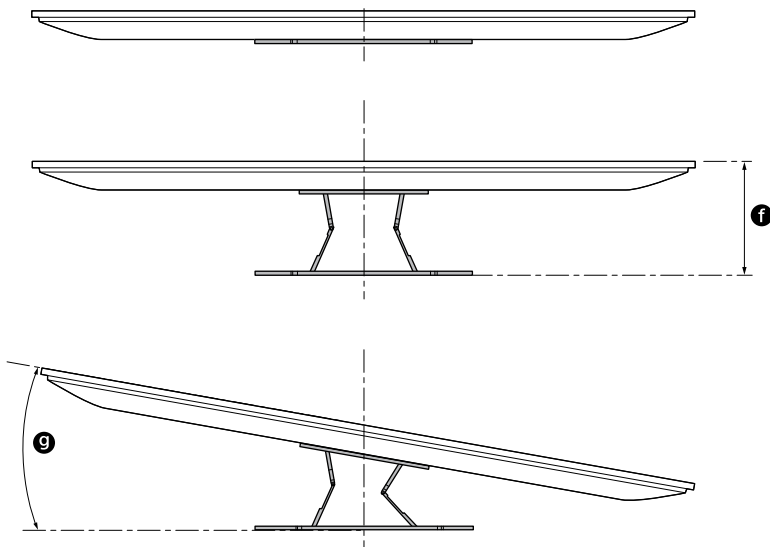
1 Καθορίστε τη θέση τοποθέτησης.

Βεβαιωθείτε ότι στον τοίχο υπάρχει αρκετός χώρος για την τηλεόραση και ότι ο τοίχος μπορεί να στηρίξει βάρος τουλάχιστον τέσσερις φορές μεγαλύτερο από αυτό της τηλεόρασης.

Συμβουλευτείτε τον παρακάτω πίνακα για την εγκατάσταση της τηλεόρασης στον τοίχο.

Ανατρέξτε στον Οδηγό αναφοράς της τηλεόρασής σας για πληροφορίες σχετικά με το βάρος της.





(mm)

Όνομα μοντέλου	a	b	c	d	e	f*2	g*2 (°)
KD-75XH80xx	1.686	969	364	123	86	288	15
KE-75XH80xx							
KD-65XH81xx	1.462	841	365	59	83	287	18
KE-65XH81xx							
KD-65XH80xx							
KE-65XH80xx							
KD-55XH81xx	1.243	718	365	3	83	287	20
KE-55XH81xx							
KD-55XH80xx							
KE-55XH80xx							

Πίνακας διαστάσεων για την εγκατάσταση της τηλεόρασης (mm)

Οι τιμές του πίνακα ενδέχεται να διαφέρουν ελαφρώς ανάλογα με την εγκατάσταση.

*1 (Κεντρικό σημείο οθόνης)

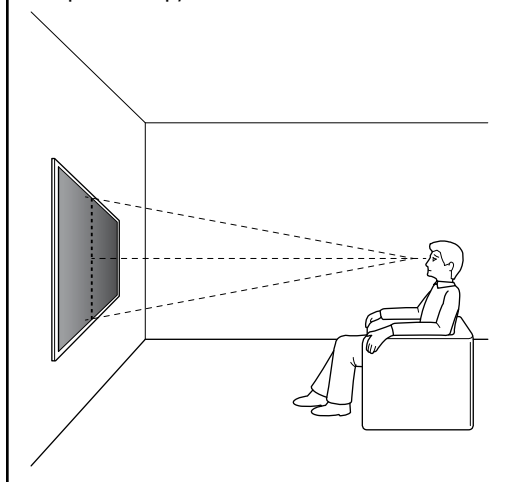
*2 (Περίπου)

Σημείωση

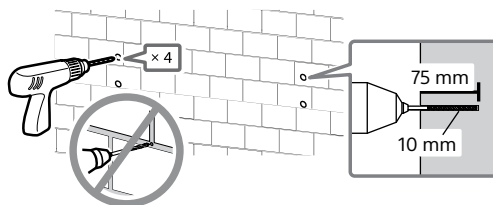
- Όταν η τηλεόραση είναι εγκατεστημένη στον τοίχο, το ανώτερο τμήμα της τηλεόρασης γέρνει ελαφρώς μπροστά.

Σημείωση

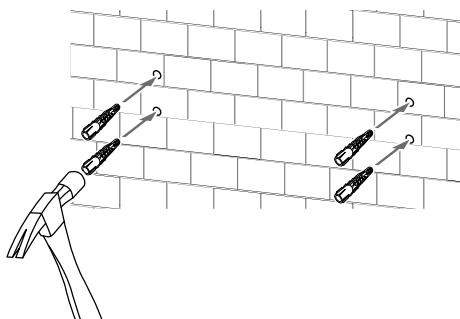
- Συνιστάται να ελέγξετε τη θέση της τηλεόρασης στο περιβάλλον τηλεθέασης.



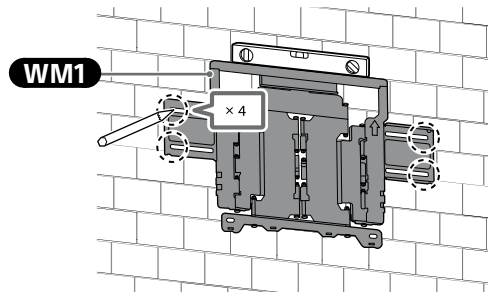
3 Ανοίξτε τρύπες οδηγούς επάνω στα σημάδια.



4



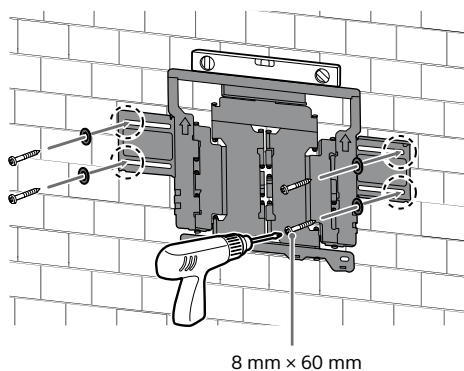
2 Ευθυγραμμίστε το τμήμα WM1 στον τοίχο και σχεδιάστε τέσσερα σημάδια.



Σημείωση

- Χρησιμοποιήστε αλφάδι για να ελέγξετε εάν το WM1 είναι οριζόντιο.

5 Τοποθετήστε το τμήμα WM1 στον τοίχο χρησιμοποιώντας κατάλληλες βίδες (δεν παρέχονται) και ροδέλες (δεν παρέχονται).



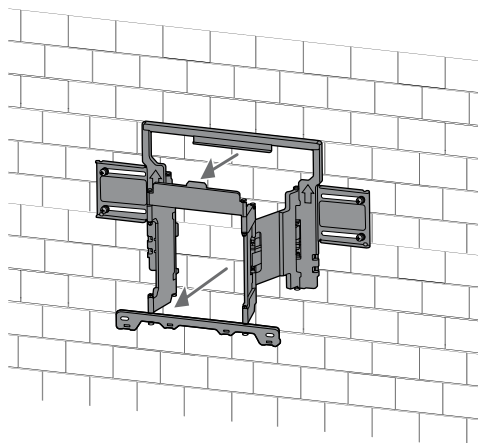
Σημείωση

- Χρησιμοποιήστε ένα αλφάδι για να ελέγξετε εάν η Επιτοίχια Βάση έχει κλίση.

Προσοχή

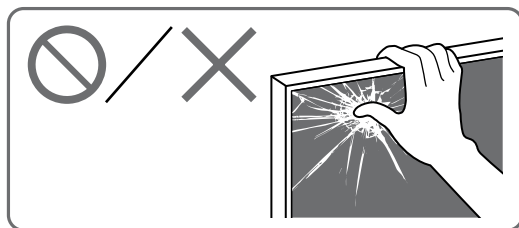
- Μη σφίγγετε υπερβολικά την ξυλόβιδα 8 mm x 60 mm. Το υπερβολικό σφίξιμο μπορεί να μειώσει τη δύναμη συγκράτησης της ξυλόβιδας 8 mm x 60 mm.

- 6 Τραβήξτε τον βραχίονα της βάσης μέχρι τέρμα.

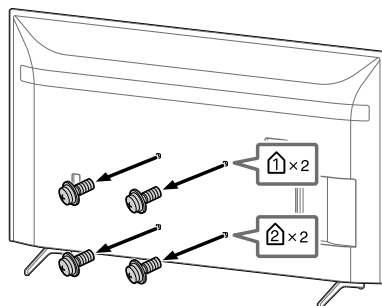


Προετοιμασία για την τοποθέτηση της τηλεόρασης

Βεβαιωθείτε ότι έχετε προσαρτήσει τη βάση επιτραπέζιας τοποθέτησης πριν εγκαταστήσετε την τηλεόραση στον τοίχο ανατρέχοντας στον Οδηγό εγκατάστασης.



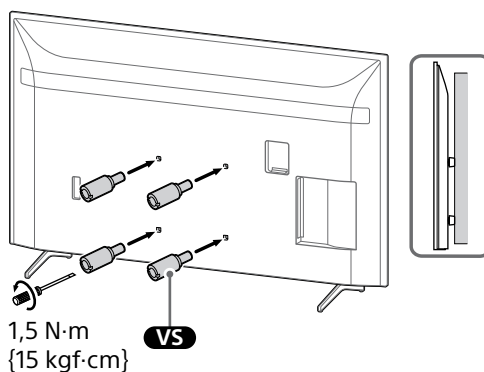
- 1 Αφαιρέστε τις βίδες από το πίσω μέρος της τηλεόρασης.



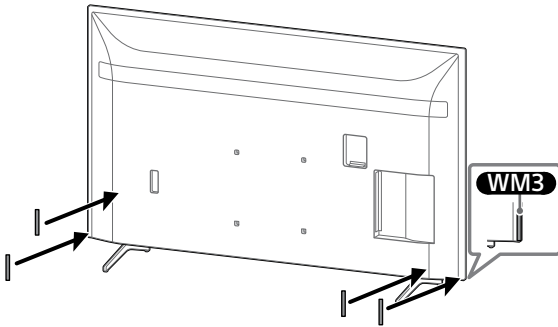
Σημείωση

- Αποθηκεύστε τις βίδες που αφαιρέσατε και τα μη χρησιμοποιημένα εξαρτήματα σε ένα ασφαλές σημείο και φυλάξτε τα μακριά από παιδιά.

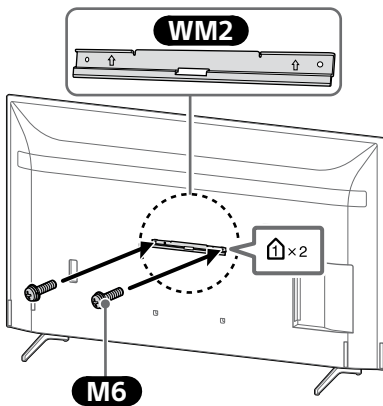
- 2 Συνδέστε το Εξάρτημα Επιτοίχιας Βάσης (παρέχεται με την τηλεόραση) στο πίσω μέρος της τηλεόρασης (για να είναι παράλληλα με τον τοίχο).



3 Τοποθετήστε το **WM3**.

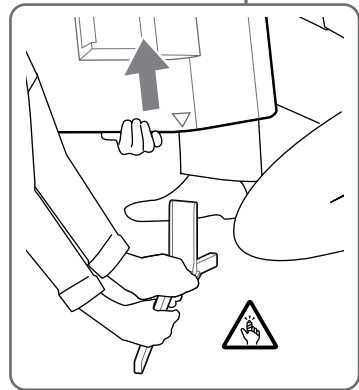
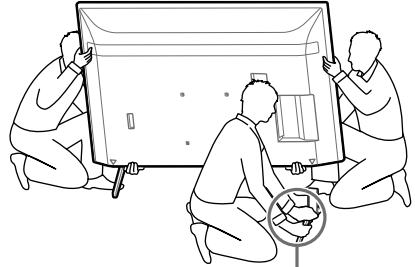


4 Τοποθετήστε το τμήμα **WM2** στην τηλεόραση χρησιμοποιώντας τις βίδες **M6**.



5 Αφαιρέστε τη Βάση επιτραπέζιας τοποθέτησης από την τηλεόραση.

- Αφαιρέστε μία-μία τις πλευρές της βάσης επιτραπέζιας τοποθέτησης. Κρατήστε σταθερά και με ασφάλεια τη βάση επιτραπέζιας τοποθέτησης και με τα δύο χέρια ενώ κάποιος άλλοι ανασηκώνουν την τηλεόραση.

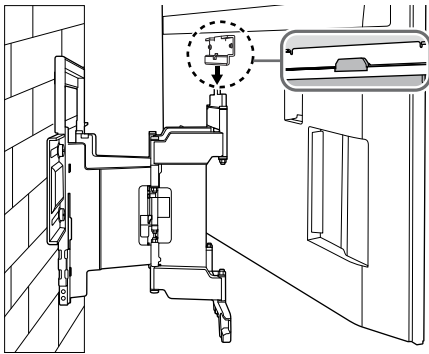
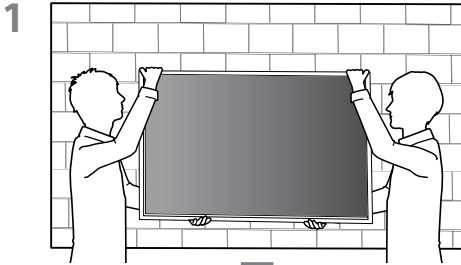
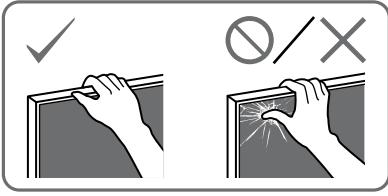


- Επαναλάβετε το προηγούμενο βήμα και αφαιρέστε την άλλη πλευρά της βάσης επιτραπέζιας τοποθέτησης.

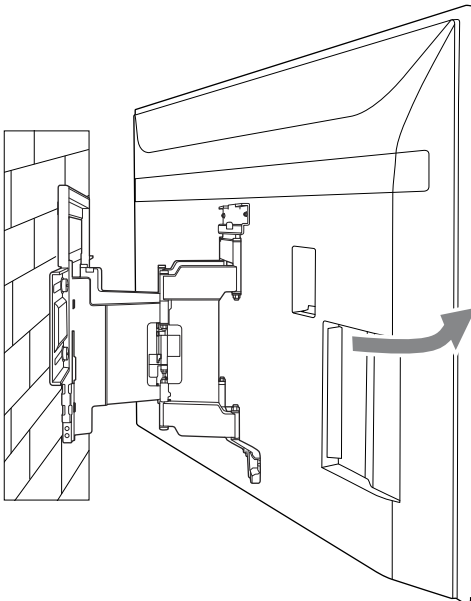
Σημείωση

- Για την αφαίρεση της Βάσης επιτραπέζιας τοποθέτησης απαιτούνται τρία ή περισσότερα άτομα.
- Προσέξτε να μην ασκήσετε υπερβολική δύναμη κατά την αφαίρεση της Βάσης επιτραπέζιας τοποθέτησης από την τηλεόραση καθώς μπορεί να προκληθεί πτώση της τηλεόρασης και, κατά συνέπεια, τραυματισμός ή ζημιά στην τηλεόραση.
- Προσέχετε κατά τον χειρισμό της Βάσης επιτραπέζιας τοποθέτησης για την αποφυγή πρόκληση ζημιάς στην τηλεόραση.
- Προσέχετε όταν σηκώνετε την τηλεόραση καθώς, επειδή έχει αφαιρεθεί η Βάση επιτραπέζιας τοποθέτησης, η Βάση μπορεί να πέσει και να προκληθεί τραυματισμός.
- Προσέχετε όταν αφαιρείτε τη Βάση επιτραπέζιας τοποθέτησης από την τηλεόραση ώστε να μην πέσει και προκαλέσει ζημιά στην επιφάνεια όπου στέκεται η τηλεόραση.

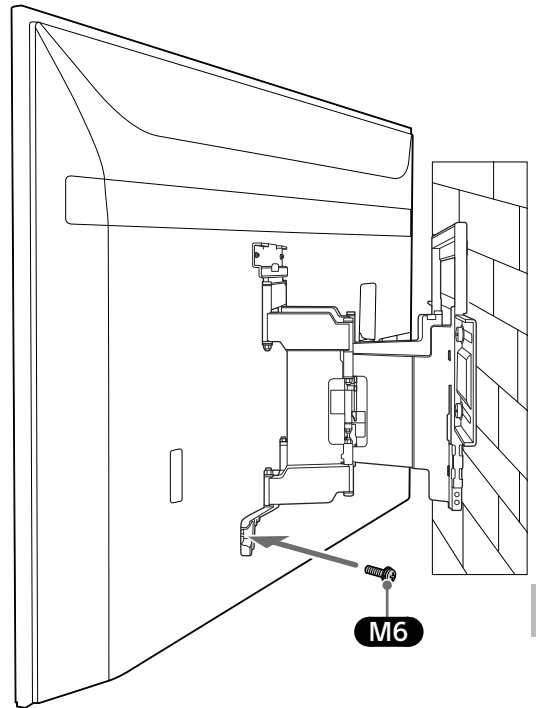
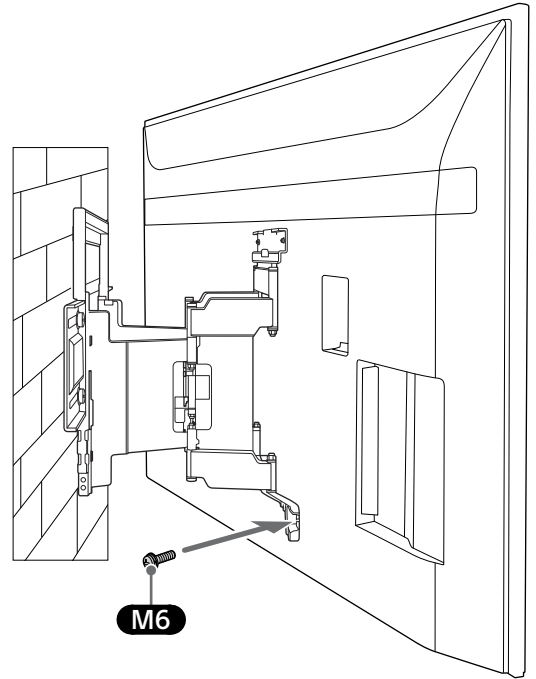
Τοποθέτηση της τηλεόρασης στον τοίχο



2

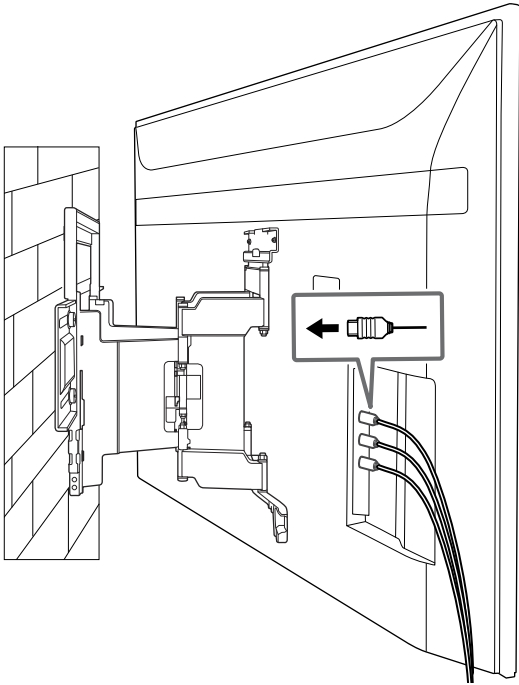


3 Βιδώστε την αριστερή και τη δεξιά πλευρά της Επιτοίχιας Βάσης.



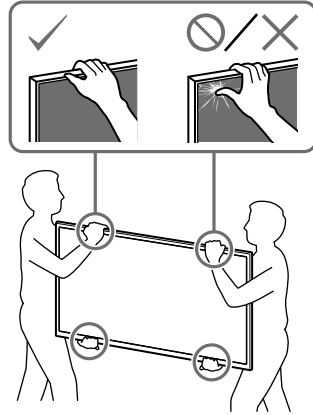
GR

4

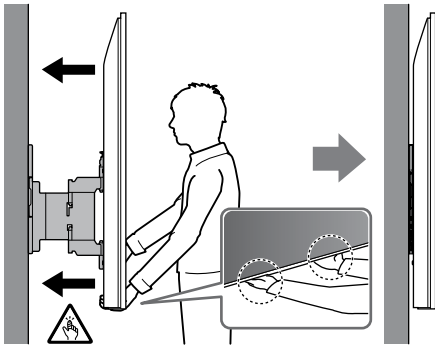


ΠΡΟΕΙΔΟΠΟΙΗΣΗ

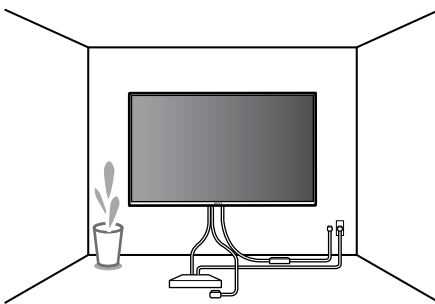
- Βεβαιωθείτε ότι η μεταφορά ή της τηλεόρασης θα πραγματοποιηθεί από δύο ή περισσότερα άτομα (τρία ή περισσότερα άτομα για τηλεοράσεις μεγαλύτερες από 75 ίντσες).



5 Όταν μετακινείτε την τηλεόραση, να την κρατάτε καλά από κάτω.



6



Επαλήθευση της ολοκλήρωσης των εργασιών τοποθέτησης

Ελέγξτε τα παρακάτω σημεία.

- Το σχοινί και το καλώδιο δεν έχουν στρεβλωθεί ή συμπιεστεί.

ΠΡΟΕΙΔΟΠΟΙΗΣΗ

- Η λανθασμένη τοποθέτηση του καλωδίου τροφοδοσίας κλπ. μπορεί να προκαλέσει πυρκαγιά ή ηλεκτροπληξία λόγω βραχυκυκλώματος. Για λόγους ασφάλειας, βεβαιωθείτε ότι έχουν ολοκληρωθεί οι εργασίες τοποθέτησης.

Άλλες πληροφορίες

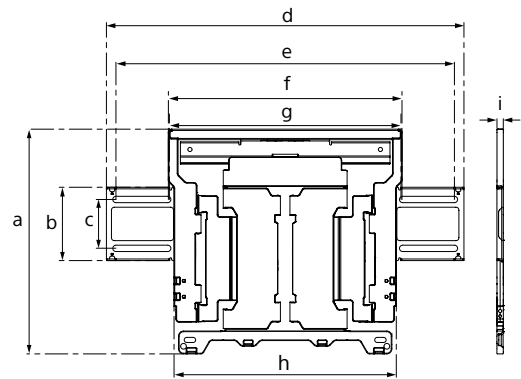
Κατά την αφαίρεση της τηλεόρασης, ακολουθήστε τα βήματα της διαδικασίας τοποθέτησης με την αντίστροφη σειρά.

ΠΡΟΕΙΔΟΠΟΙΗΣΗ

- Φροντίστε δύο ή περισσότερα άτομα (τρία ή περισσότερα άτομα για τηλεοράσεις μεγαλύτερες από 75 ίντσες) να κρατούν την τηλεόραση κατά την αφαίρεσή της.

Τεχνικά χαρακτηριστικά

WM1



Διαστάσεις: (Περίπου) [mm]

- a : 354
- b : 116
- c : 77
- d : 563
- e : 533
- f : 370
- g : 368
- h : 350
- i : 11

Βάρος (μόνο για τη βάση): (Περίπου) [kg]

3,0

Ο σχεδιασμός και τα τεχνικά χαρακτηριστικά υπόκεινται σε αλλαγή χωρίς προειδοποίηση.

Sony Duvar Askı Aparatını Kullanma Hakkında Montaj Bilgileri (SU-WL850)

Desteklenen modeller*:

**KD-75XH80xx / 65XH81xx / 65XH80xx / 55XH81xx / 55XH80xx
KE-75XH80xx / 65XH81xx / 65XH80xx / 55XH81xx / 55XH80xx**

* Gerçek model adlarında "xx", bir modele özgü numara ve/veya karakterleri ifade eder.

Müşterilerimize

Ürünü koruma ve güvenlik nedenleriyle, Sony TV'nizin montajının Sony satıcıları veya lisanslı yükleniciler tarafından gerçekleştirilmesini önemle önerir. Kendiniz kurmaya çalışmayın.

Sony Satıcıları ve Yüklenicilerine

Montaj, periyodik bakım ve bu ürünün incelenmesi sırasında güvenliğe son derece dikkat edin.

Özellikle duvarın TV'nin ağırlığına dayanacak kadar güçlü olup olmadığını belirlemek için bu ürünün montajı için yeterli derece uzmanlık gerekir. Bu ürünün duvara takılması konusunda Sony satıcılarına veya lisanslı yüklenicilere güvenin ve montaj sırasında güvenliğe yeterince dikkat edin. Sony, montajın yanlış yöntemle veya uygunsuz şekilde yapılmasından kaynaklanan hasar veya yaralanmalardan sorumlu değildir.

Güvenlik ve doğru kurulum için, Duvar Askı Aparatı Kullanım Talimatlarını, TV Kurulum Kılavuzunu ve bu kılavuzdaki talimatları izleyin.

Duvar Askı Aparatı

Güvenlik

Bu ürünü satın aldığınız için teşekkür ederiz.

Müşterilerimize

Televizyonu duvara monte etme



UYARI

PROFESYONEL MONTAJ GEREKLİDİR

Bu ürün; duvarın, televizyonun ağırlığının taşıyabilecek sağlamlıkta olduğunu belirlemek için gerekli eğitimi almış, profesyonel bir montör tarafından monte edilmelidir. Montaj sırasında sağlam şekilde sabitlenmezse televizyon düşebilir ve ciddi yaralanmalara neden olabilir. Sony yanlış taşıma veya montajdan veya belirtilen ürün dışında bir ürünün montajından kaynaklanabilecek hasarlar ve yaralanmalarla ilgili hiçbir sorumluluk kabul etmez. Yasal Haklarınız (varsa) etkilenmez.

Sony Bayilerine

Bu ürünü monte etmek için yeterli derecede uzmanlık gereklidir. Montaj işinin güvenli bir şekilde yapılması için mutlaka bu kullanım kılavuzunun tamamını okuyun. Sony, montajın yanlış yöntemle veya uygunsuz şekilde yapılmasından kaynaklanan hasarlardan veya yaralanmalardan sorumlu değildir. Montajdan sonra lütfen bu kılavuzu müşteriye verin.

Bu kullanım kılavuzunda ürünün doğru kullanımı ve kazaları önlemek için alınması gereken önemli tedbirler açıklanmaktadır. Bu montaj kılavuzunda verilen tüm talimatların okunması, anlaşılması ve takip edilmesi kullanıcının sorumluluğundadır. Aksi takdirde ciddi yaralanmalar veya maddi hasar meydana gelebilir ve garanti geçersiz kalabilir. Bu kılavuzu ileride başvurmak için saklayın.

Sony ürünleri güvenliğe önem verilerek tasarlanmıştır. Ürünlerin yanlış kullanılması yangın, elektrik çarpması, ürünün devrilmesi veya ürünün düşmesi sonucunda ciddi yaralanmaya neden olabilir. Bu gibi kazaları önlemek için güvenlik tedbirlerine mutlaka uyun.

Üretici Firma: Sony Corporation
1-7-1 Konan Minato-ku Tokyo, 108-0075 Japan
Telefon: (+81 3) 6748 2111

Türkiye İrtibat Numaraları:
Tel: 0216-633 98 00
Faks: 0216-632 70 30
e-mail: bilgi@eu.sony.com

AAAA Yönetmeliğine Uygundur
PCB içermez

SONY®

İthalatçı Firma: Sony Eurasia Pazarlama A.Ş.

Adres: Onur Ofis Park Plaza Saray Mah.
Ahmet Tevfik İleri Cad.
No:10 34768 Ümraniye
İstanbul Türkiye
Sony Bilgi ve Danışma Hattı:
444 SONY (7669)
(+90 216) 633 98 00

DİKKAT

Belirtilen ürünler

Bu Duvar Askı Aparatı belirtilen televizyonlarla kullanılacak şekilde tasarlanmıştır. Televizyonlar için, Duvar Askı Aparatının kullanılabileceğini doğrulamak için "Başvuru Kılavuzu"na bakın.

Müşterilerimize

UYARI

Aşağıdaki tedbirler alınmaması, yangın, elektrik çarpması veya ürünün düşmesi sonucunda ciddi yaralanmaya veya ölüme neden olabilir.

Montajı mutlaka lisanslı yüklenicilere yaptırın ve montaj sırasında küçük çocukları uzak tutun.

Duvar Askı Aparatı veya televizyon doğru monte edilmezse, aşağıdaki kazalar meydana gelebilir. Montajı mutlaka lisanslı yüklenicilere yaptırın.

- Televizyon düşebilir ve sıyrık veya kırık gibi ciddi bir yaralanmaya neden olabilir.
- Duvar Askı Aparatının monte edileceği duvar sabit değil, pürüzlü veya zemine dik değilse, ünite düşebilir ve yaralanmaya veya malın hasar görmesine neden olabilir. Duvar, televizyonun ağırlığının en az 6 katını taşıyabilecek sağlamlıkta olmalıdır. (Ağırlığını öğrenmek için televizyonunuzun "Başvuru Kılavuzu"na bakın.)
- Duvar Askı Aparatının duvara montajının yeterli derecede sağlam yapılmaması, ünitenin düşmesine ve ciddi yaralanmaya veya malın hasar görmesine neden olabilir.

Televizyonun montajını veya demontajını mutlaka lisanslı yüklenicilere yaptırın.

Televizyonu lisanslı yüklenicilerin dışındaki kişiler taşırsa veya demonte ederse, televizyon düşebilir ve ciddi yaralanmaya veya malın hasar görmesine neden olabilir. Televizyonu taşıma veya sökme işlemlerinin iki veya daha fazla kişi (75 inç ve üzeri TV seti için üç veya daha fazla kişi) tarafından yapıldığından emin olun.

Televizyonu monte ettikten sonra vidaları, vb. çıkarmayın.

Çıkarırsanız, televizyon düşebilir ve ciddi yaralanmaya veya malın hasar görmesine neden olabilir.

Duvar Askı Aparatının parçalarında değişiklik yapmayın.

Değişiklik yaparsanız, Duvar Askı Aparatı düşebilir ve ciddi yaralanmaya veya malın hasar görmesine neden olabilir.

Belirtilen ürün dışındaki ekipmanları sökmeyin.

Bu Duvar Askı Aparatı yalnızca belirtilen ürünle kullanılacak şekilde tasarlanmıştır. Belirtilen ürünün dışında ekipman monte ederseniz, düşebilir veya kırılabilir ve ciddi yaralanmaya veya malın hasar görmesine neden olabilir.

Duvar Askı Aparatına televizyon dışında bir yük yüklemeyin. Televizyonu sola/sağa, yukarı/aşağı sallamayın.

Çıkarırsanız, televizyon düşebilir ve ciddi yaralanmaya veya malın hasar görmesine neden olabilir.

Televizyona dayanmayın veya asılmayın.

Televizyon üzerinize düşebileceğinden ve ciddi yaralanmaya neden olabileceğinden televizyona dayanmayın veya asılmayın.

DİKKAT

Aşağıdaki tedbirler alınmazsa, ciddi yaralanma veya malda hasar ortaya çıkabilir.

- Duvar Askı Aparatını taşıırken veya televizyonu yerleştirirken parmaklarınızı sıkıstırmamaya dikkat edin.
- Televizyonu döndürürken dikkatli olun ve etraftaki insanlara vurmamaya çalışın.
- Kullanılmayan parçaları daha sonra kullanmak üzere güvenli bir yerde sakladığınızdan emin olun. Bunları çocukların ulaşamayacakları bir yerde saklayın.

Temizleme veya bakım sırasında ürüne aşırı güç uygulamayın.

Televizyonun üst kenarına aşırı güç uygulamayın. Çıkarırsanız, televizyon düşebilir ve ciddi yaralanmaya veya malın hasar görmesine neden olabilir.

TR

Tedbirler

- Televizyonu Duvar Askı Aparatı takılı olarak uzun süre kullanırsanız, duvarın yapıldığı malzemeye bağlı olarak arkadaki duvarda veya televizyonun üstünde renk değişimi olabilir veya duvar kağıdı yerinden çıkabilir.
- Duvar Askı Aparatı duvara monte edildikten sonra çıkarılırsa, vida delikleri kalır.
- Duvar Askı Aparatını mekanik titreşimlere maruz kalan bir yerde kullanmayın.

Duvar Askı Aparatını Monte Etme

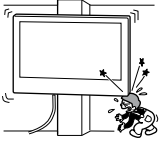
Sony Bayilerine

UYARI

Aşağıdaki talimatlar yalnızca Sony bayiiileri içindir. Bu ürünün montajı, bakımı ve kontrolü sırasında, yukarıda belirtilen güvenlik tedbirlerini okuduğunuzdan ve güvenliğe özellikle önem verdiğinizden emin olun.

Duvar Askı Aparatını televizyonun köşelerinin veya kenarlarının duvar yüzeyinden çıkıntı yaptıği duvar yüzeylerine monte etmeyin.

Duvar Askı Aparatını televizyonun köşelerinin veya kenarlarının duvar yüzeyinden çıkıntı yaptıği, kolon gibi duvar yüzeylerine monte etmeyin. Bir kişi veya nesne televizyonun çıkıntı yapan köşesine veya kenarına çarparsa, yaralanma veya mal hasarı ortaya çıkabilir.

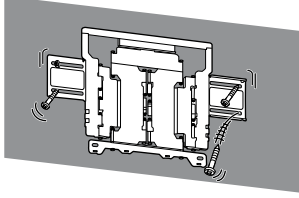


Televizyonu klimanın üzerine veya altına monte etmeyin.

Televizyon klimadan gelen su sızıntısı veya hava akımına uzun süre maruz kalırsa, yangın, elektrik çarpması veya televizyonda arıza meydana gelebilir.

Duvar askı aparatını duvara bu kullanım kılavuzundaki talimatlara göre sağlam bir şekilde monte ettiğinizden emin olun.

Vidalardan biri gevşerse veya çıkarsa, Duvar Askı Aparatı düşebilir ve ciddi yaralanmaya veya mal hasarına neden olabilir. Duvar malzemesi için uygun vidalar kullanın ve 8 mm çapında (veya eşdeğer) dört vidalar kullanarak üniteyi sağlam bir şekilde monte edin.



Birlikte verilen vidaları ve ek parçaları bu kullanım kılavuzundaki talimatlara göre doğru bir şekilde kullandığınızdan emin olun. Başka parçalar kullanırsanız, televizyon düşebilir ve bedensel yaralanmaya veya televizyonun hasar görmesine neden olabilir.

Aparatı bu kullanım kılavuzunda açıklanan prosedüre göre doğru bir şekilde monte ettiğinizden emin olun.

Vidalardan biri gevşer veya çıkarsa, televizyon düşebilir ve bedensel yaralanmaya veya televizyonun hasar görmesine neden olabilir.

Vidaları gösterilen konumda iyice sıkıştırdığınızdan emin olun.

Bu yapılmazsa, televizyon düşebilir ve bedensel yaralanmaya veya televizyonun hasar görmesine neden olabilir.

Montaj sırasında televizyonu darbeye maruz bırakmamaya dikkat edin.

Televizyon darbeye maruz bırakılırsa, düşebilir veya parçalarına ayrılabilir. Bu, yaralanmaya neden olabilir.

Televizyonu dik ve düz bir duvara monte ettiğinizden emin olun.

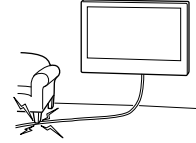
Bu yapılmazsa, televizyon düşebilir ve yaralanmaya neden olabilir.

Televizyon doğru şekilde monte edildikten sonra, kabloları doğru şekilde sabitleyin.

Kişiler veya nesnelere kablolarla takılırsa, yaralanma veya televizyonda hasar ortaya çıkabilir.

AC güç kablosunun veya bağlantı kablosunun sıkışmasına izin vermeyin.

AC güç kablosu veya bağlantı kablosu ünite ile duvar arasına sıkıştırsa veya güç uygulanarak bükülür veya kıvrılırsa, iç iletkenler ortaya çıkabilir ve bu durum, kısa devreye veya elektrik kesilmesine neden olabilir. Bu durum, yangına veya elektrik çarpmasına neden olabilir.



Duvar Askı Aparatını duvara sabitlemek için gereken vidalar ürünle birlikte verilmez.

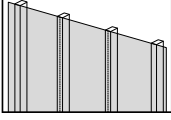
Duvar Askı Aparatını monte ederken duvar malzemesi ve yapısı için uygun vidaları kullanın.

Başlamadan önce

Öncelikle, TV'nin monte edileceği duvarın tipini kontrol edin.

Duvarınızın malzemesi nedir?

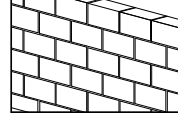
Saplama vidaları bulunan kuru duvar



Tedbirler

- Maksimum kuru duvar kalınlığı: 16 mm.
- İç ahşap saplama vidasının boyutunun genel için 51 x 102 mm ve nominal için 38 x 89 mm olduğundan emin olun.
- Bağlantı elemanları arasında minimum 406 mm'lik yatay boşluk bırakın.

İç Dolu Beton veya Beton Blok



Tedbirler

- Duvar Montaj Aparatını doğrudan içi dolu beton duvara monte edin.
- İç dolu beton duvarın en az 203 mm kalınlıkta olduğundan emin olun.
- Her bir beton bloğun en az 203 x 203 x 406 mm boyutunda olduğundan emin olun.

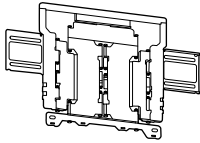

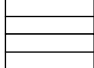

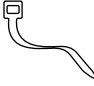
Montaj için hazırlanma

- Kurulumdan önce televizyonun Başvuru Kılavuzunu ve Kurulum Kılavuzunu hazır bulundurun.
- Televizyonunuzun montaj konumunu onaylayın.
- 8 mm çapında dört vida ve bunlara uygun dört pul temin edin (ürünle birlikte verilmez). Duvarın malzemesine uygun vidalar seçin.

Parçaları kontrol etme

SU-WL850 ile birlikte verilir

- Tüm parçaların bulunduğundan emin olun.



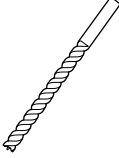
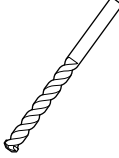
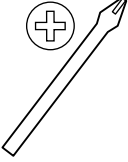



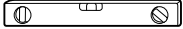
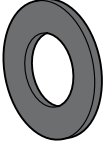


Ⓐ WM1 (1) 	Ⓑ WM2 (1) 
Ⓒ WM3 (4) 	Ⓓ M6 (4) 
Ⓔ WT1 (6) 	

TV ile birlikte verilir

VS Duvar Askı Aparatı (4) 



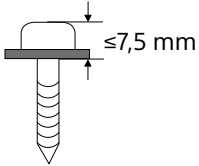
Gerekli aletler

*1 	  5,5 mm  10 mm 		
*2    1,5 N·m {15 kgf·cm} 			
*3  (4)	*2  (4)	*3  (4) 8 mm x 60 mm	

*1 Sadece saplama vidaları içeren kuru duvarlar için

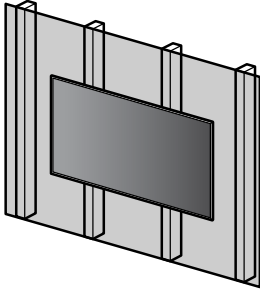
*2 Sadece içi dolu beton veya beton blok duvarlar için

*3 Vidaları ve pulları seçerken dikkatli olun

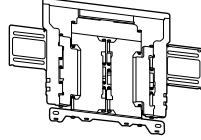


A TV'nin Saplama Vidaları İçeren Kuru Duvarlara Montajı

Saplama vidaları bulunan kuru duvar



WM1

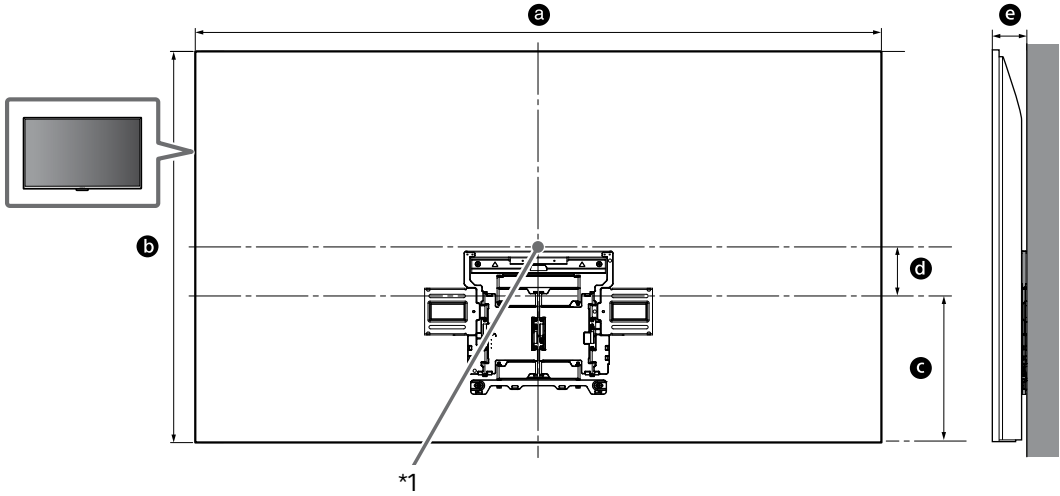


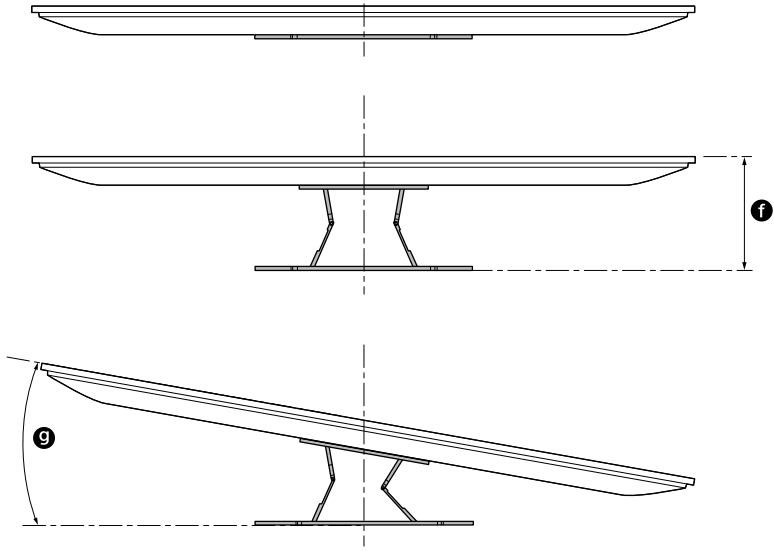
Duvar Askı Aparatının duvara montajı

1 Montaj konumuna karar verin.

Duvarda TV için yeterince alan olduğundan ve duvarın TV'nin ağırlığının en az dört katı ağırlık taşıyabileceğinden emin olun.

TV'yi duvara monte etmek hakkında aşağıdaki tabloya bakın. TV'nin ağırlığı için TV'nizin Başvuru Kılavuzuna bakın.





(mm)

Model adı	a	b	c	d	e	f*2	g*2 (°)
KD-75XH80xx	1.686	969	364	123	86	288	15
KE-75XH80xx							
KD-65XH81xx	1.462	841	365	59	83	287	18
KE-65XH81xx							
KD-65XH80xx							
KE-65XH80xx							
KD-55XH81xx	1.243	718	365	3	83	287	20
KE-55XH81xx							
KD-55XH80xx							
KE-55XH80xx							

Televizyon montaj boyutları tablosu (mm)
Tablodaki şekiller montaja bağlı olarak biraz değişebilir.

*1 (Ekranın merkez noktası)

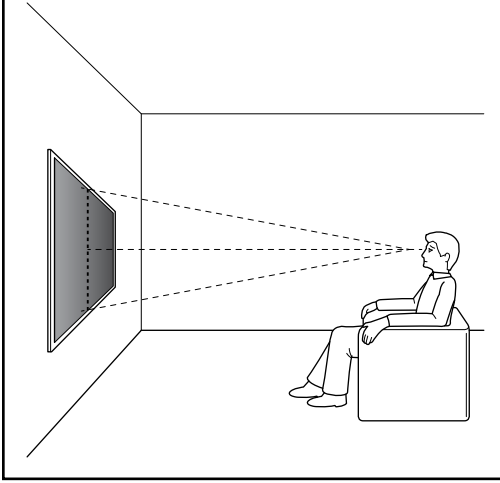
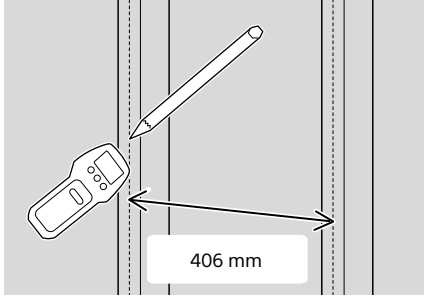
*2 (Yakl.)

Not

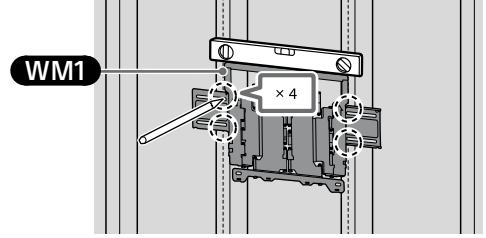
- TV'niz duvara monte edildiğinde, TV'nin üst tarafı öne doğru biraz eğilir.

Not

- Kurulum konumunu televizyonu izleyeceğiniz yerden kontrol etmenizi öneririz.

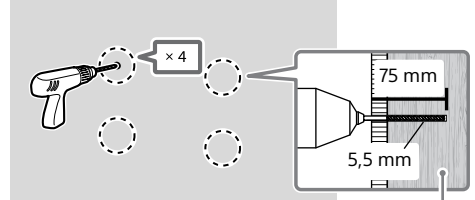
**2**

3 **WM1** 'i duvara hizalayın ve vidaların denk geldiği dört noktayı işaretleyin.

**Not**

- Bir su terazisi kullanarak **WM1** 'in düz durduğunu kontrol edin.

4 İşaretlediğiniz üst noktalara pilot delikler açın.

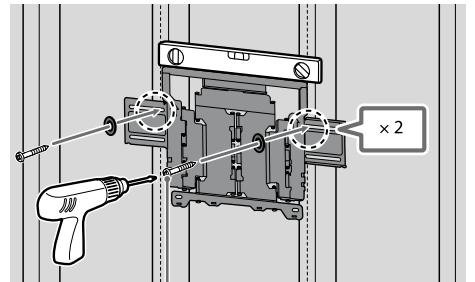


Saplama Vidası veya Takviye

Not

- Pilot delikleri mutlaka 5,5 mm'lik matkap ucu kullanarak en az 75 mm derinliğinde açılmalıdır.

5 **WM1** 'i uygun vidalar (ürünle verilmez) ve pullar (ürünle verilmez) kullanarak duvara monte edin.



8 mm x 60 mm

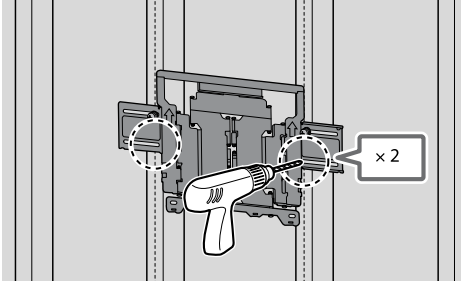
Not

- Bir su terazisi kullanarak **WM1** 'in düz durduğunu kontrol edin.

Önem

- 8 mm x 60 mm ölçülü ahşap vidayı çok fazla sıkmayın. Hatalı şekilde sıkılırsa 8 mm x 60 mm ölçülü ahşap vidanın sıkma gücü azalabilir.

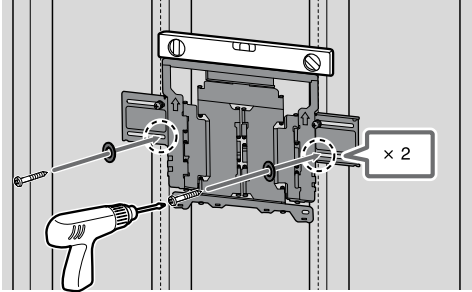
- 6 İşaretlediğiniz noktalara pilot delikleri açın. (Delik delme talimatları için adım 4'e bakın.)



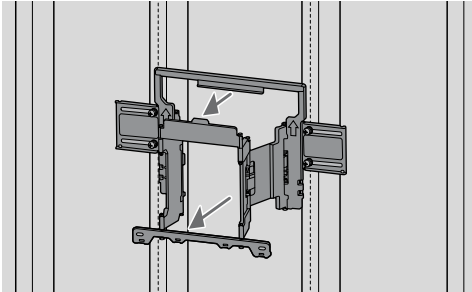
- 7 Deliklere uygun vidalar ve pullar takın.

Not

- Bir su terazisi kullanarak Duvar Askı Aparatının düz olup olmadığını kontrol edin.

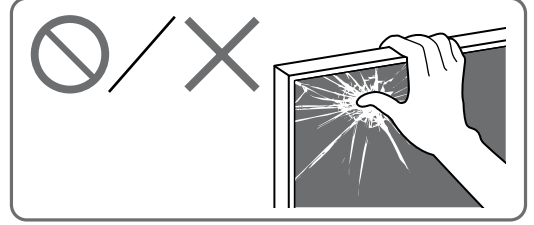


- 8 Aparatın kolunu sonuna kadar çekin.

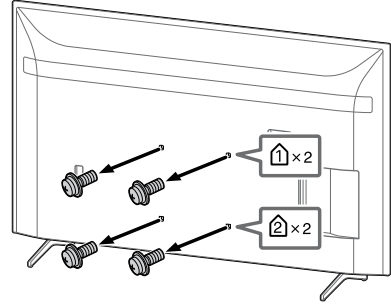


Televizyonun montajı için hazırlanma

Televizyon duvara monte etmeden önce Kurulum Kılavuzu bakarak Masa Üstü Sehpasını bağlamayı unutmayın.



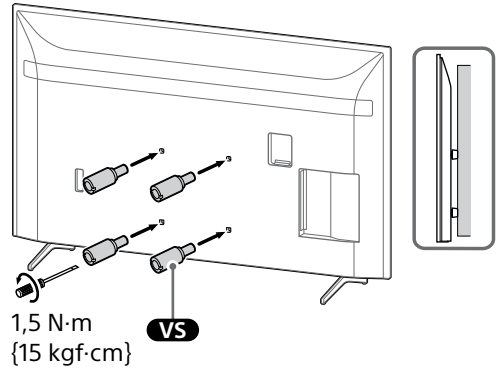
- 1 TV'nin arkasındaki vidaları çıkarın.



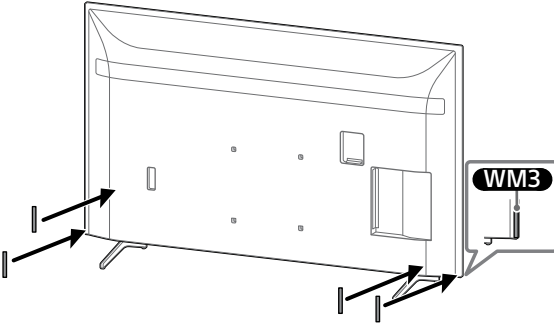
Not

- Çıkarılan vidaları ve kullanılmayan parçaları çocuklardan uzak tutarak güvenli bir yerde depoladığınızdan emin olun.

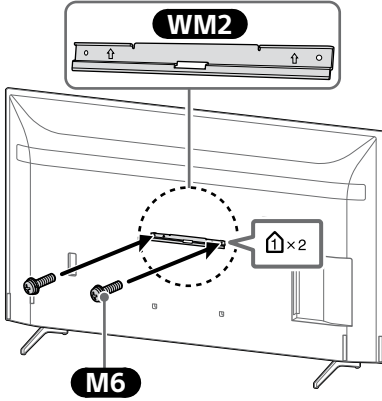
- 2 Duvar Askı Aparatını (TV ile birlikte verilir) TV'nin arkasına takın (duvarla paralel hale getirmek için).



3 WM3 'i takın.

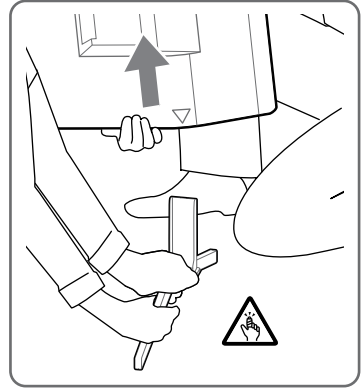
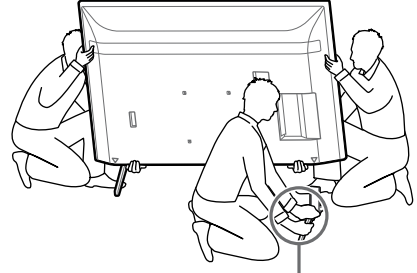


4 WM2 'yi M6 kullanarak TV'ye takın.



5 Masa Üstü Sehpa'sını televizyondan sökün.

- Masa Üstü Sehpa'nın bir tarafını bir seferde kaldırın. Diğer insanlar televizyonu kaldırırken iki elinizle Masa Üstü Sehpayı sıkıca ve güvenli bir şekilde tutun.

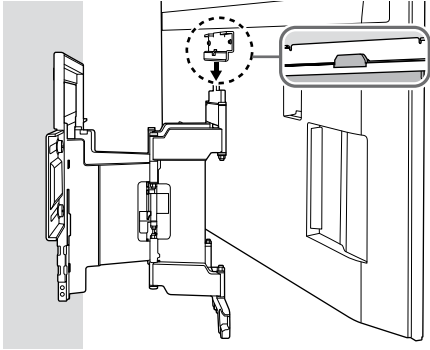
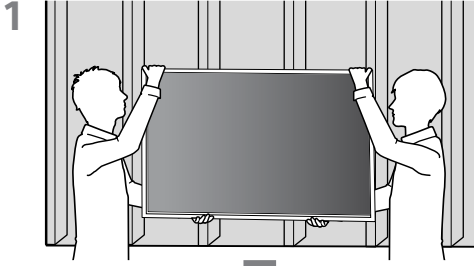


- Önceki adımı tekrarlayın ve Masa Üstü Sehpa'nın diğer tarafını kaldırın.

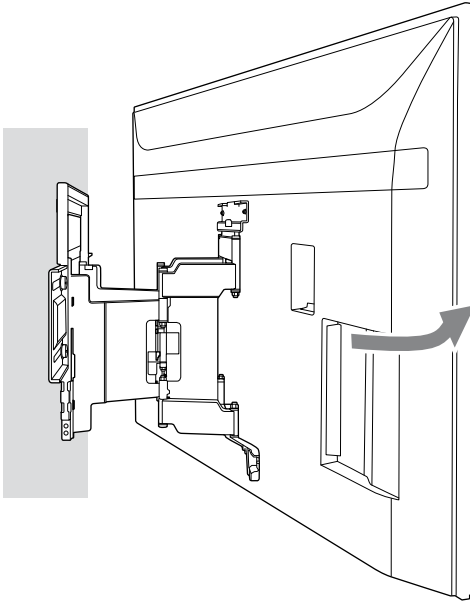
Not

- Masa Üstü Sehpadan ayırmak için üç veya daha fazla insan gereklidir.
- Masa Üstü Sehpayı televizyondan ayırırken aşırı güç uygulamayın: çünkü televizyon setinin düşmesine ve dolayısıyla fiziksel yaralanma veya televizyonun hasar görmesine neden olabilirsiniz.
- Televizyona hasar gelmesini engellemek için Masaüstü Sehpayı kaldırırken dikkatli olun.
- Masa Üstü Sehpa'sı sökme işlemi sırasında televizyonu kaldırırken dikkatli olun; Masa Üstü Sehpa'sı devrilebilir ve yaralanmalara neden olabilir.
- Masa Üstü Sehpa'sını televizyondan sökerken çıkarırken devrilmemesi ve televizyonun oturduğu yüzeye zarar vermemesi için dikkatli olun.

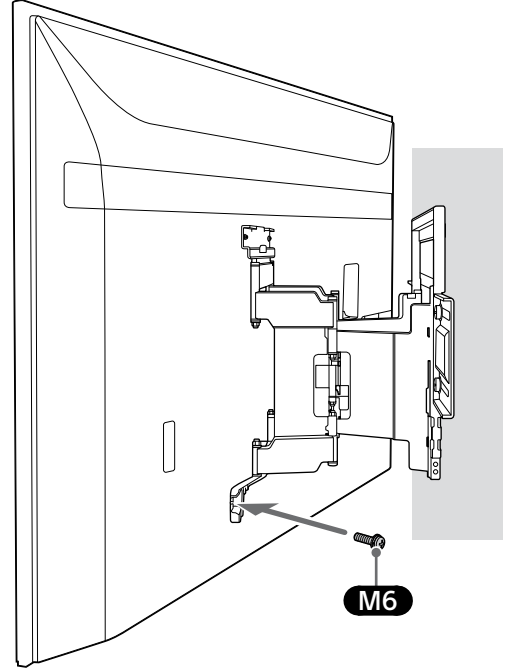
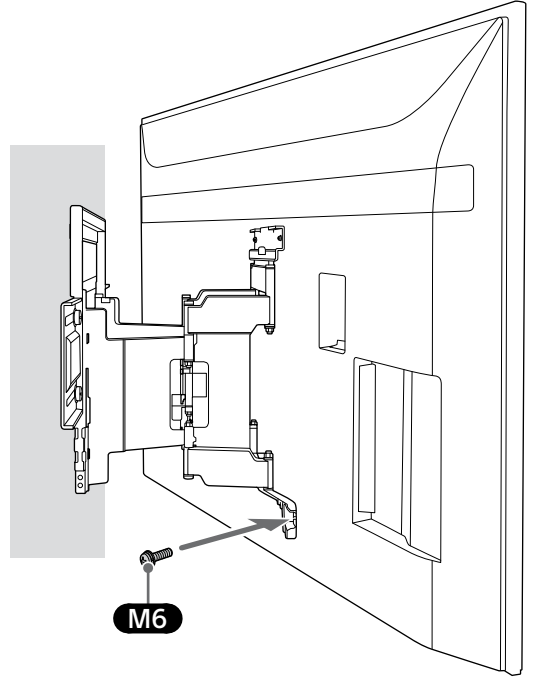
Televizyonu duvara monte etme



2

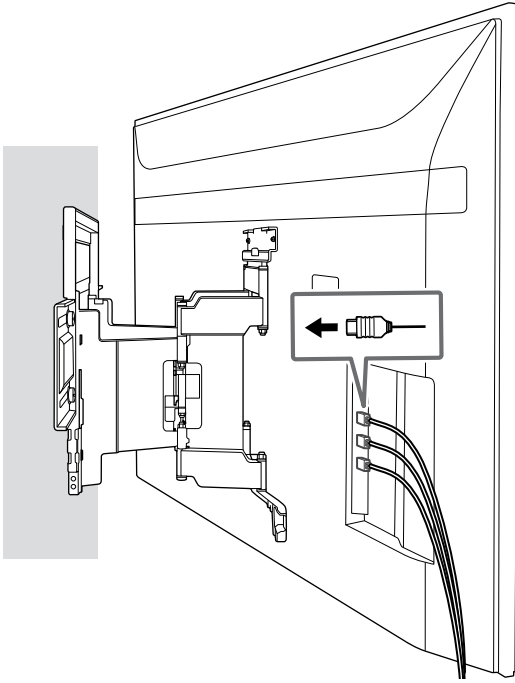


3 Duvar Montaj Aparatının sol ve sağ tarafını vidalayın.



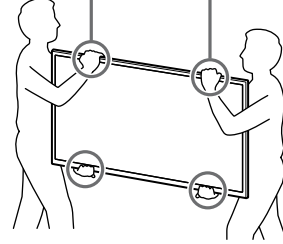
TR

4

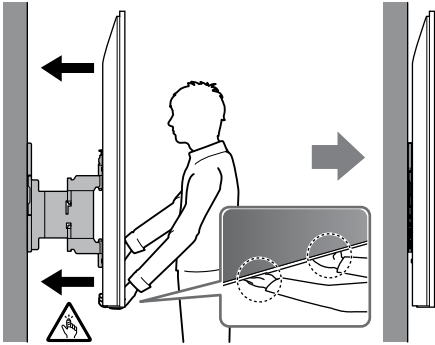


UYARI

- Taşırken televizyonu iki veya daha fazla kişinin (75 inç ve üzeri TV seti için üç veya daha fazla kişi) tuttuğundan emin olun.



5 Televizyonu taşırken altından sağlam şekilde tutun.



Montajın tamamlandığını onaylama

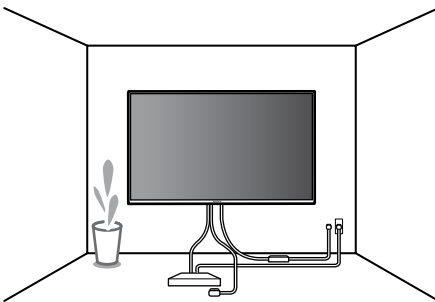
Aşağıdaki noktaları kontrol edin.

- Güç kablosu ve kablo bükülü veya sıkıştırılmış olmamalıdır.

UYARI

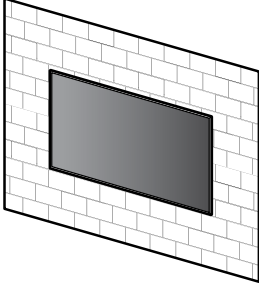
- AC güç kablosu vb.'nin yanlış yerleştirilmesi, kısa devreye ve dolayısıyla yangına veya elektrik çarpmasına neden olabilir. Montajın güvenli bir şekilde tamamlandığından emin olun.

6

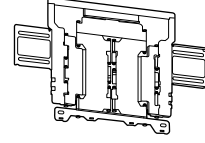


B Duvar Montaj Aparatının İçi Dolu Beton veya Beton Blok Duvarlara Montajı

İçi Dolu Beton veya Beton Blok



WM1

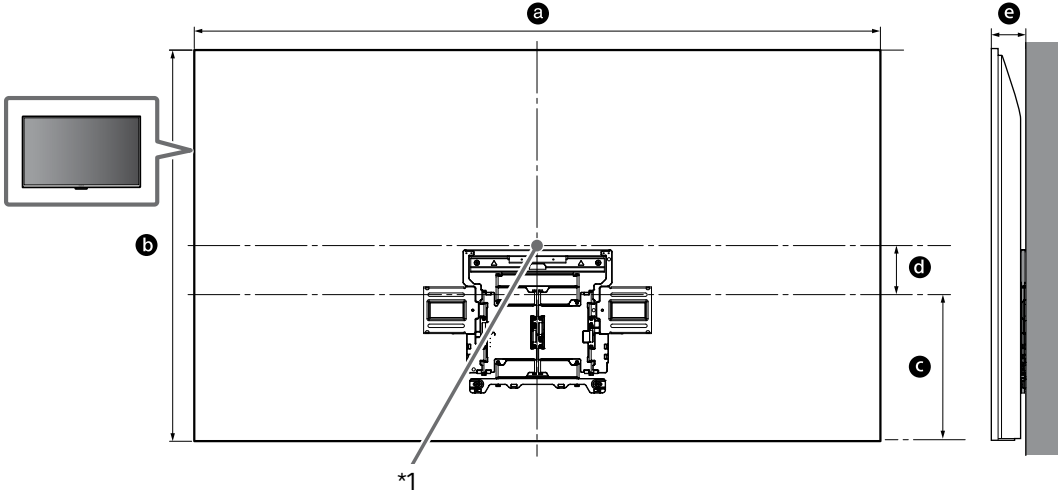


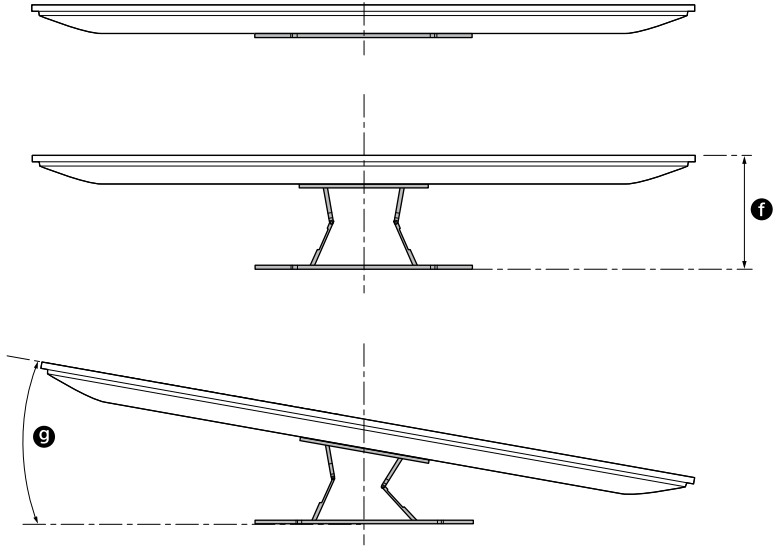
Duvar Askı Aparatının duvara montajı

1 Montaj konumuna karar verin.

Duvarda TV için yeterince alan olduğundan ve duvarın TV'nin ağırlığının en az dört katı ağırlık taşıyabileceğinden emin olun.

TV'yi duvara monte etmek hakkında aşağıdaki tabloya bakın. TV'nin ağırlığı için TV'nizin Başvuru Kılavuzuna bakın.





(mm)

Model adı	a	b	c	d	e	f*2	g*2 (°)
KD-75XH80xx	1.686	969	364	123	86	288	15
KE-75XH80xx							
KD-65XH81xx	1.462	841	365	59	83	287	18
KE-65XH81xx							
KD-65XH80xx							
KE-65XH80xx							
KD-55XH81xx	1.243	718	365	3	83	287	20
KE-55XH81xx							
KD-55XH80xx							
KE-55XH80xx							

Televizyon montaj boyutları tablosu (mm)

Tablodaki şekiller montaja bağlı olarak biraz değişebilir.

*1 (Ekranın merkez noktası)

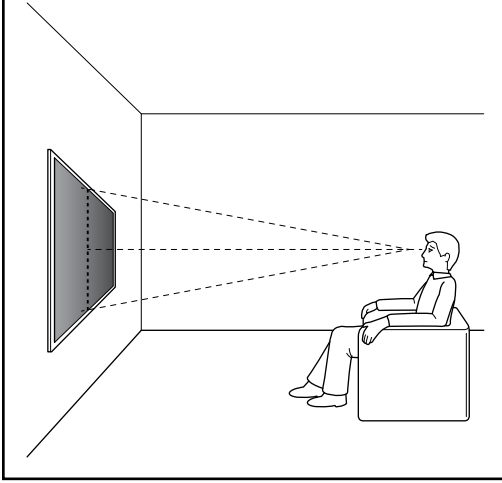
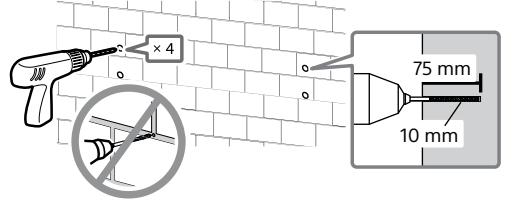
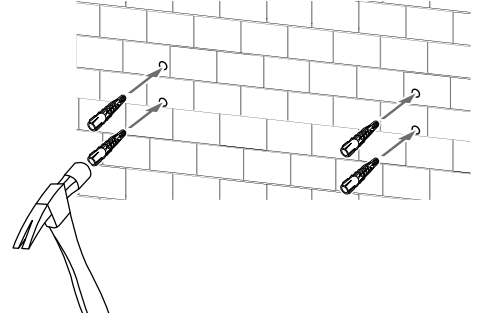
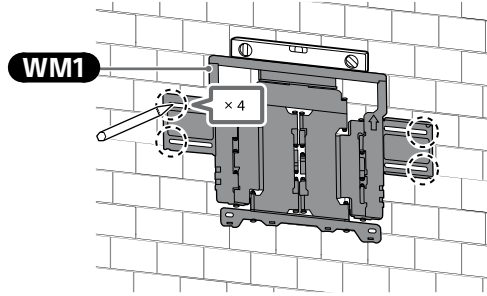
*2 (Yakl.)

Not

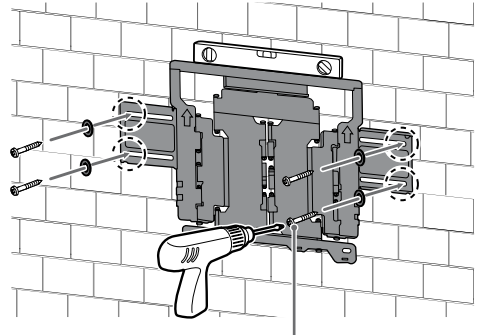
- TV'niz duvara monte edildiğinde, TV'nin üst tarafı öne doğru biraz eğilir.

Not

- Kurulum konumunu televizyonu izleyeceğiniz yerden kontrol etmenizi öneririz.

**3** İşaretlerin bulunduğu noktalara kılavuz delikleri delin.**4****2** WM1 'i duvara hizalayın ve dört noktayı işaretleyin.**Not**

- Bir su terazisi kullanarak WM1 'in düz durduğunu kontrol edin.

5 WM1 'i uygun vidalar (ürünle verilmez) ve pullar (ürünle verilmez) kullanarak duvara monte edin.

8 mm x 60 mm

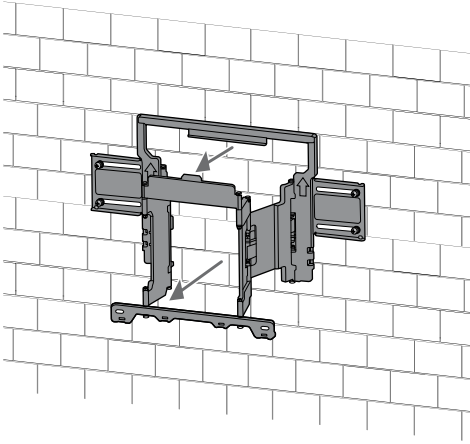
Not

- Bir su terazisi kullanarak Duvar Askı Aparatının düz olup olmadığını kontrol edin.

Önlem

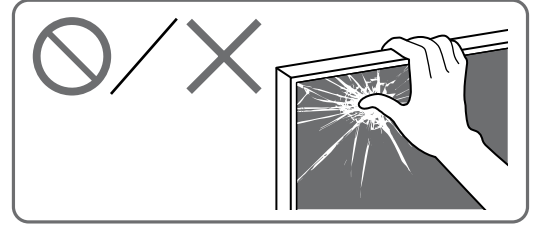
- 8 mm x 60 mm ölçülü ahşap vidayı çok fazla sıkmayın. Hatalı şekilde sıkılırsa 8 mm x 60 mm ölçülü ahşap vidanın sıkma gücü azalabilir.

6 Aparatın kolunu sonuna kadar çekin.

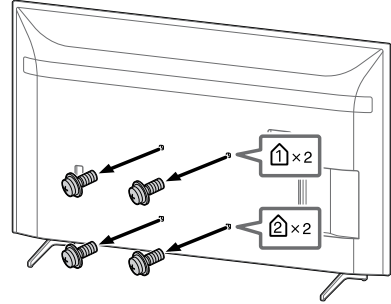


Televizyonun montajı için hazırlanma

Televizyon duvara monte etmeden önce Kurulum Kılavuzu bakarak Masa Üstü Sehpasını bağlamayı unutmayın.



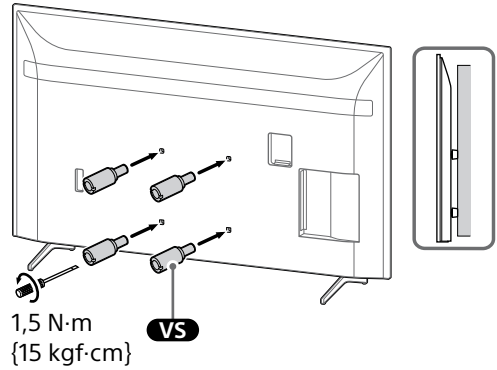
1 TV'nin arkasındaki vidaları çıkarın.



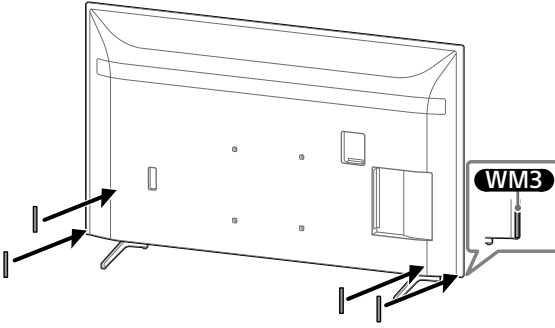
Not

- Çıkarılan vidaları ve kullanılmayan parçaları çocuklardan uzak tutarak güvenli bir yerde depoladığınızdan emin olun.

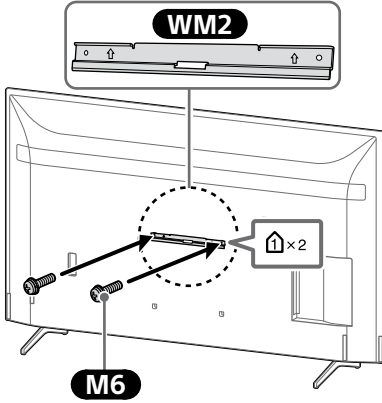
2 Duvar Askı Aparatını (TV ile birlikte verilir) TV'nin arkasına takın (duvarla paralel hale getirmek için).



3 WM3 'i takın.

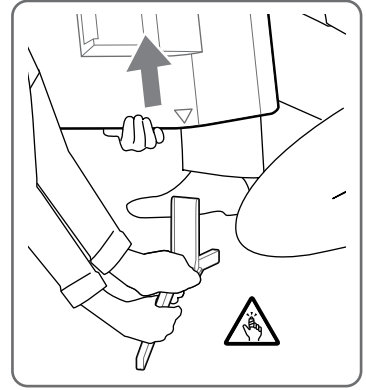
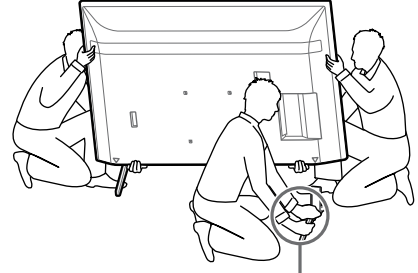


4 WM2 'yi M6 kullanarak TV'ye takın.



5 Masa Üstü Sehpasını televizyondan sökün.

- Masa Üstü Sehpanın bir tarafını bir seferde kaldırın. Diğer insanlar televizyonu kaldırırken iki elinizle Masa Üstü Sehpayı sıkıca ve güvenli bir şekilde tutun.

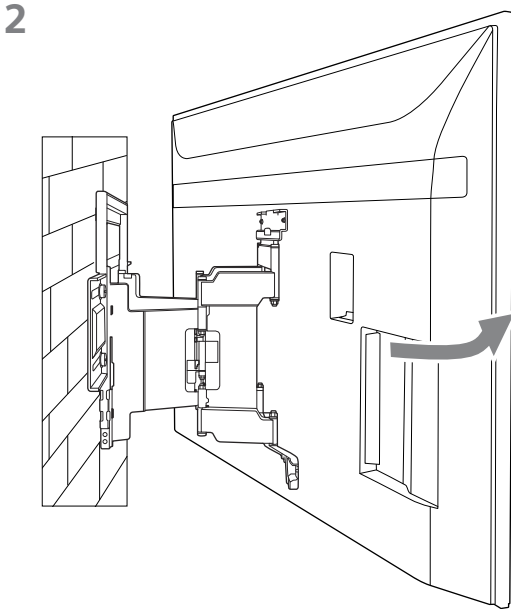
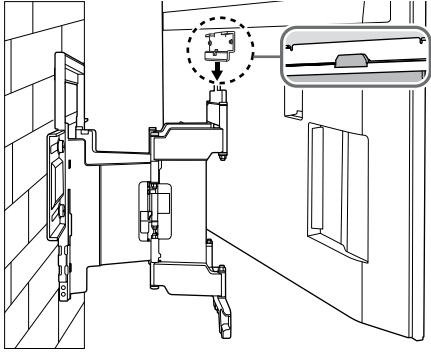
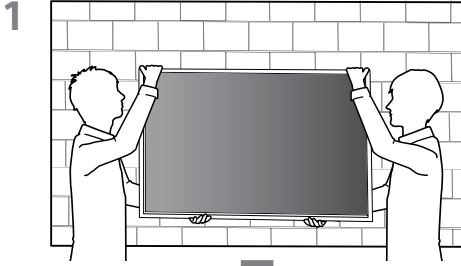


- Önceki adımı tekrarlayın ve Masa Üstü Sehpanın diğer tarafını kaldırın.

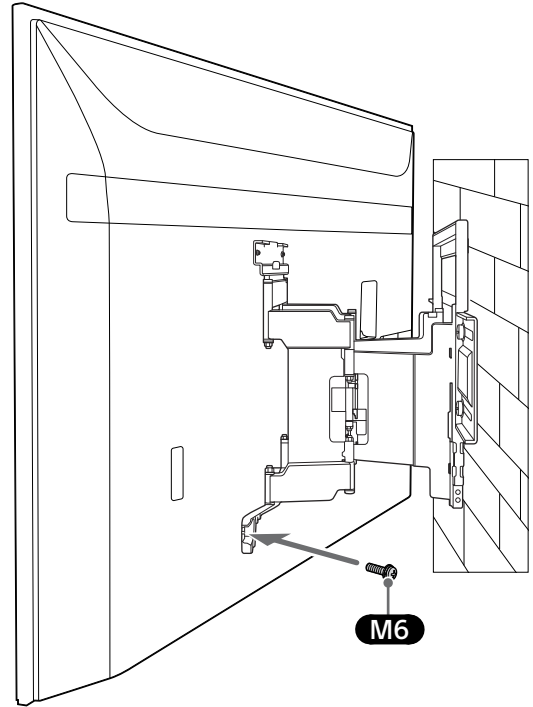
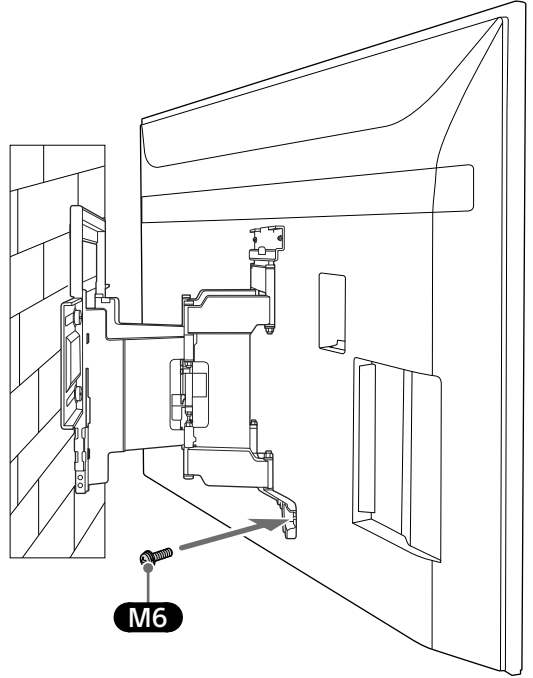
Not

- Masa Üstü Sehpadan ayırmak için üç veya daha fazla insan gereklidir.
- Masa Üstü Sehpayı televizyondan ayırırken aşırı güç uygulamayın: çünkü televizyon setinin düşmesine ve dolayısıyla fiziksel yaralanma veya televizyonun hasar görmesine neden olabilirsiniz.
- Televizyona hasar gelmesini engellemek için Masaüstü Sehpayı kaldırırken dikkatli olun.
- Masa Üstü Sehpa sökme işlemi sırasında televizyonu kaldırırken dikkatli olun; Masa Üstü Sehpa devrilebilir ve yaralanmalara neden olabilir.
- Masa Üstü Sehpasını televizyondan sökerken çıkarırken devrilmemesi ve televizyonun oturduğu yüzeye zarar vermemesi için dikkatli olun.

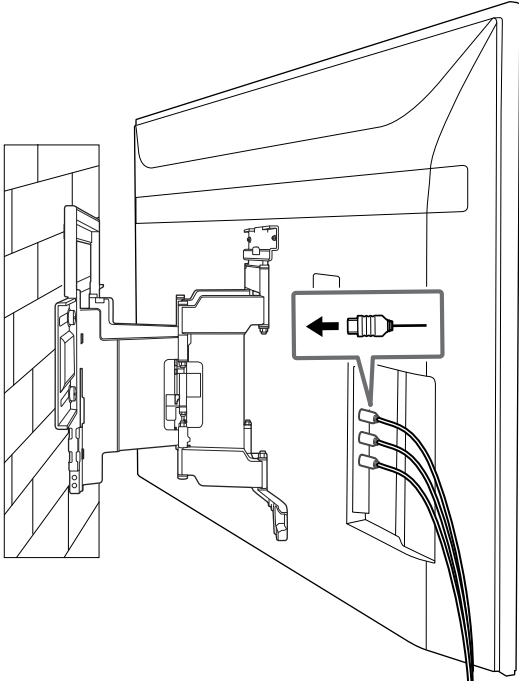
Televizyonu duvara monte etme



3 Duvar Montaj Aparatının sol ve sağ tarafını vidalayın.

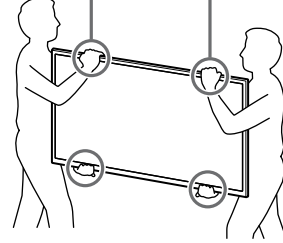
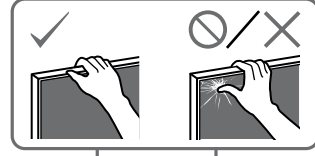


4

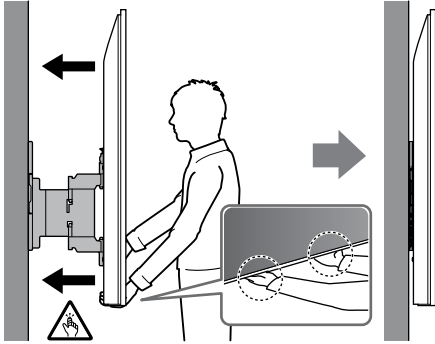


UYARI

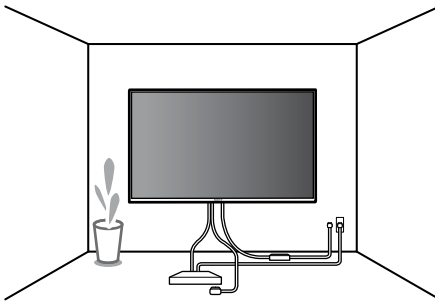
- Taşırken televizyonu iki veya daha fazla kişinin (75 inç ve üzeri TV seti için üç veya daha fazla kişi) tuttuğundan emin olun.



5 Televizyonu taşırken altından sağlam şekilde tutun.



6



Montajın tamamlandığını onaylama

Aşağıdaki noktaları kontrol edin.

- Güç kablosu ve kablo bükülü veya sıkıştırılmış olmamalıdır.

UYARI

- AC güç kablosu vb.'nin yanlış yerleştirilmesi, kısa devreye ve dolayısıyla yangına veya elektrik çarpmasına neden olabilir. Montajın güvenli bir şekilde tamamlandığından emin olun.

Diğer bilgiler

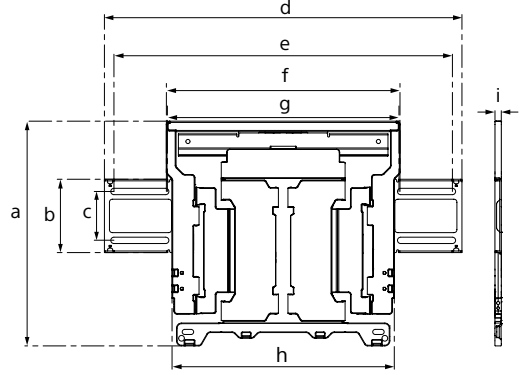
Televizyonu çıkarırken, önceki kurulum prosedürünü ters yönde izleyin.

UYARI

- Çıkarrırken televizyonu iki veya daha fazla kişinin (75 inç ve üzeri TV seti için üç veya daha fazla kişi) tuttuğundan emin olun.

Teknik Özellikler

WM1



Boyutlar: (Yakl.) [mm]

- a : 354
- b : 116
- c : 77
- d : 563
- e : 533
- f : 370
- g : 368
- h : 350
- i : 11

Ağırlık (yalnızca taban): (Yakl.) [kg]

3,0

Tasarım ve teknik özellikler, önceden bildirilmeksizin değişikliğe tabidir.

Szerelési információk a Sony fali konzol (SU-WL850) használatához

Támogatott modellek*:

KD-75XH80xx / 65XH81xx / 65XH80xx / 55XH81xx / 55XH80xx

KE-75XH80xx / 65XH81xx / 65XH80xx / 55XH81xx / 55XH80xx

* Az adott típusnévben szereplő „xx” a típusra jellemző számokat és/vagy karaktereket jelöli.

Vásárlóink figyelmébe

Termék- és baleset-biztonsági okokból a Sony azt tanácsolja, hogy a tv-készülék üzembe helyezését Sony viszonteladó vagy alvállalkozó hajtsa végre. Ne kísérelje meg a termék önálló felszerelését.

Sony viszonteladók és alvállalkozók figyelmébe

A termék üzembe helyezésekor, rendszeres karbantartásakor és vizsgálatakor maradéktalanul tartson be minden biztonsági óvintézkedést.

A készülék felszerelése megfelelő szaktudást igényel, különösen a tv-készülék súlyát tartó fal teherbírásának megállapítását illetően. A készülék falra rögzítését mindig bízza Sony viszonteladóra vagy alvállalkozóra, és szereléskor ügyeljen a biztonságra. A Sony nem vállal felelősséget a gondatlan vagy szakszerűtlen szerelésből eredő személyi sérülésekért vagy anyagi károkért.

A biztonság és a megfelelő felszerelés érdekében kövesse a fali konzol kezelési útmutatóját, a TV-beállítási útmutatót és a jelen kézikönyv utasításait.

Fali konzol

Biztonság

Köszönjük, hogy ezt a készüléket vásárolta meg.

Vásárlóink figyelmébe

A tv felszerelése a falra



FIGYELMEZTETÉS

PROFESSIONÁLIS SZERELÉS SZÜKSÉGES

A tartót csak professzionális szerelő szerelheti fel, aki képes annak eldöntésére, hogy a fal teherbírása megfelelő-e a TV-készülék súlyának megtartásához. Ha a tartó rögzítése nem megfelelő, akkor a TV leeshet és súlyos sérülést okozhat. A Sony nem tehető felelőssé a helytelen kezelés, nem megfelelő felszerelés, vagy a megadott terméktől eltérő termék felszerelése miatti anyagi károkért vagy személyi sérülésekért. Az Ön törvényes jogait (ha vannak) ez nem érinti.

Sony viszonteladók számára

A termék felszereléséhez megfelelő tapasztalat szükséges. A biztonságos munkavégzés érdekében alaposan olvassa el ezt az útmutatót. A Sony nem tehető felelőssé a helytelen kezelés és szerelés miatt bekövetkezett semmilyen kárért vagy sérülésért. Kérjük, a szerelés befejezése után ezt az útmutatót adja át a fogyasztónak.

Ez a használati útmutató a termék helyes kezelését, illetve a fontos balesetvédelmi intézkedéseket mutatja be. Kérjük, hogy olvassa el és ertse meg az útmutatót, valamint tartsa be az összes benne szereplő utasítást. Ennek elmulasztása súlyos személyi sérülést és anyagi kárt okozhat, és a jóállást is semmissé teheti. A későbbi használat céljára őrizze meg ezt az útmutatót.

A Sony termékeinek tervezése a biztonság szem előtt tartásával történik. A termékek helytelen használata azonban súlyos égési sérülést, áramütést okozhat, a termék feldőlhet vagy leeshet. Az ilyen balesetek elkerülése érdekében tartsa be a biztonsági előírásokat.

VIGYÁZAT

Meghatározott termékek

Ez a fali konzol a megadott tv-készülékekhez használható. A TV „Felhasználói útmutató” ellenőrizze, hogy a fali konzol használható-e a készülékhez.

Vásárlóink figyelmébe

FIGYELMEZTETÉS

A következő biztonsági előírások be nem tartása súlyos égési sérülést, halált, áramütést okozhat, a termék pedig leeshet.

A szerelést erre felhatalmazott vállalkozó végezze, és a gyerekeket tartsa távol a szerelés helyszínétől.

A fali konzol vagy a tv-készülék helytelen felszerelése esetén a következő balesetek következhetnek be. A szerelést felhatalmazott vállalkozónak kell végeznie.

- A tv-készülék leeshet, és súlyos sérülést, zúzódást vagy törést okozhat.
- Ha a fal, amelyre a fali konzolt felszerelik, nem stabil, egyenetlen, vagy nem merőleges a padlózatra, akkor a készülék leeshet, és személyi sérülést vagy anyagi kárt okozhat. A falnak képesnek kell lennie a TV súlyának hatarsúlyát kitevő súly megtartására. (A TV súlyát lásd a „Felhasználói útmutató”.)
- Ha a fali konzol felerősítése nem eléggé erős, akkor a készülék leeshet, és személyi sérülést vagy anyagi kárt okozhat.

A tv-készülék szállítását és levételét erre felhatalmazott vállalkozó végezze.

Ha a tv-készülék szállítását vagy levételét nem felhatalmazott vállalkozó végzi, a készülék leeshet, és személyi sérülést vagy anyagi kárt okozhat. Ügyeljen rá, hogy kettő, vagy több személy (75 hüvelykes, vagy annál nagyobb televízió esetén három vagy több személy) szállítsa vagy szerelje le a televíziót.

A tv-készülék felerősítése után ne távolítsa el a csavarokat stb.

Ellenkező esetben a tv-készülék leeshet, és személyi sérülést vagy anyagi kárt okozhat.

A fali konzolt ne szerelje szét, és az alkatrészeit ne változtassa meg.

Ekkor a fali konzol leeshet, és személyi sérülést vagy anyagi kárt okozhat.

A fali konzolra csak a megadott készüléket erősítse fel.

Ez a fali konzol csak a megadott készülékekhez használható. Más készülék felerősítése esetén a készülék leeshet, eltörhet, és személyi sérülést vagy anyagi kárt okozhat.

A fali konzolra csak a tv-készüléket erősítse fel. E Ne rázza a tv-t jobbra/balra, felfelé/lefelé.

Ellenkező esetben a tv-készülék leeshet, és személyi sérülést vagy anyagi kárt okozhat.

Ne támaszkodjon a tv-készülékre, és ne kapaszkodjon bele.

Ne támaszkodjon a tv-készülékre, és ne kapaszkodjon bele, mert a tv-készülék Önrre eshet, és súlyos sérülést okozhat.

VIGYÁZAT

Az alábbi biztonsági előírások be nem tartása személyi sérülést vagy anyagi kárt okozhat.

- Ügyeljen arra, hogy a fali konzol kezelésekor vagy a TV-készülék forgatásakor ne csípje be az ujját.
- A TV-készüléket óvatosan fordítsa el, hogy ne üsse meg a közelben tartózkodókat.
- A nem használt alkatrészeket őrizze meg a későbbi felhasználás céljára. Tartsa őket gyerekek elől elzárva.

A készülék tisztítása vagy karbantartása során ne alkalmazzon túl nagy erőt.

Ne nyomja meg nagy erővel a tv-készülék felső részét. Ellenkező esetben a tv-készülék leeshet, és személyi sérülést vagy anyagi kárt okozhat.

Biztonsági előírások

- Ha a fali konzolra erősített tv-készüléket hosszú ideig használja, akkor a fal anyagától függően a tv-készülék mögött vagy felett elszineződhet a falfelület, a tapéta leválhat.
- Ha a fali konzolt leszereli, a csavarfuratok megmaradnak.
- Ne használja a fali konzolt olyan helyen, ahol mechanikai rezgésnek lehet kitéve.

A fali konzol felszerelése

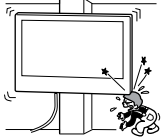
Sony viszonteladók számára

FIGYELMEZTETÉS

A következő útmutatások csak a Sony viszonteladók számára szólnak. Feltétlenül olvassa el a fenti biztonsági előírásokat, és a készülék felszerelése, karbantartása és ellenőrzése során fokozottan ügyeljen a biztonságra.

A fali konzolt ne szerelje fel olyan helyen, ahol a tv-készülék sarkai vagy oldalai kilóghatnak a fal síkjából.

A falra függesztő konzolt ne szerelje fel olyan falfelületre, például oszlopra, ahol a tv-készülék sarkai vagy oldalai kilóghatnak a fal síkjából. Ha egy személy vagy tárgy a tv-készülék kiálló sarkába vagy oldalába ütközik, az személyi sérülést vagy anyagi kárt okozhat.

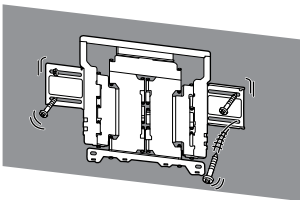


A tv-készüléket ne szerelje légkondicionáló alá vagy fölé.

Ha a tv-készüléket hosszú ideig éri a légkondicionálóból csepegő víz vagy a levegőáram, az áramütést okozhat, vagy a tv-készülék helytelenül működhet.

Ügyeljen a fali konzol ennek a használati útmutatónak megfelelő, biztonságos falra rögzítésére.

Ha bármelyik csavar laza, vagy kiesik, akkor a fali konzol leeshet, és személyi sérülést vagy anyagi kárt okozhat. Ügyeljen arra, hogy a fal anyagának megfelelő csavarokat használja, és a készüléket a négy 8 mm-es (vagy ezekkel egyenértékű) csavarokat biztonságosan rögzítse.



A mellékelt csavarokat és csatlakozóelemeket használja, és tartsa be a használati útmutató utasításait. Ha más alkatrészeket használ, akkor a tv-készülék leeshet, és személyi sérülést okozhat, vagy a tv-készülék megsérülhet.

A fali konzolt a használati útmutató utasításainak szigorú betartásával, helyesen szerelje össze.

Ha valamelyik csavar laza, vagy kiesik, akkor a tv-készülék leeshet, és személyi sérülést okozhat, vagy megsérülhet.

A megfelelő pozícióban erősen húzza meg a csavarokat.

Ennek elmulasztása esetén a tv-készülék leeshet, és személyi sérülést okozhat, vagy megsérülhet.

Ügyeljen arra, hogy felszerelés közben ne érje ütés a tv-készüléket.

Ha a tv-készüléket ütés éri, akkor leeshet vagy eltörhet. Ez személyi sérülést okozhat.

A tv-készüléket olyan sík falra szerelje fel, amely merőleges a padlózatra.

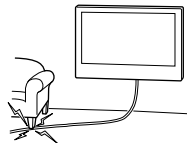
Ellenkező esetben a tv-készülék leeshet, és személyi sérülést okozhat.

A tv-készülék helyes felerősítése után megfelelően rögzítse a kábeleket.

Ha a kábelek emberbe vagy tárgyakba gabalyodnak, az személyi sérülést okozhat, és a tv-készülék megrongálódhat.

Ügyeljen arra, hogy a hálózati kábel vagy a csatlakozókábelek ne csípődjenek be.

Ha a hálózati kábel vagy az összekötő kábelek a készülék és a fal közé csípődnek, illetve erőszakosan meghajlítják vagy megcsavarják őket, akkor a belső vezetékek szabadabbá válhatnak, és rövidzárlat vagy szakadás következhet be. Ez tüzet vagy áramütést okozhat.



A fali konzol falra erősítéséhez szükséges csavarok nincsenek mellékelve.

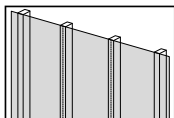
A fali konzol falra erősítéséhez használja a fal anyagának és szerkezetének megfelelő csavarokat.

A felszerelés megkezdése előtt

Először is ellenőrizze a fal típusát, amelyre fel szeretné szerelni a TV-készüléket.

Mi a fal anyaga?

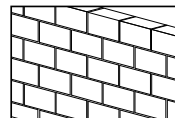
Gipszkarton, oszlopfákkal



Biztonsági előírások

- Gipszkarton fal maximális vastagsága: 16 mm.
- Ellenőrizze, hogy a belső oszlopfa mérete legalább általánosan 51 x 102 mm, vagy névlegesen 38 x 89 mm legyen.
- A rögzítési pontok közötti vízszintes távolság legalább 406 mm legyen.

Tömör beton, vagy betonelem



Biztonsági előírások

- A fali konzolt közvetlenül a tömör betonfalra erősítse.
- Ellenőrizze, hogy a tömör betonfal vastagsága legalább 203 mm legyen.
- Ellenőrizze, hogy minden egyes betonelem mérete legalább 203 x 203 x 406 mm legyen.

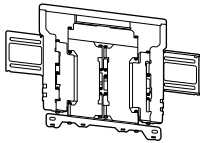

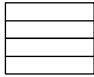

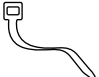
A felszerelés előkészületei

- A felszerelés előtt készítse elő a TV referencía útmutatóját és a beállítási útmutatóját.
- Döntse el, hol helyezkedjen el a tv-készülék.
- Készítsen elő négy darab 8 mm-es csavart és hozzá illő alátétet (nincs mellékelve). A fal anyagának megfelelő csavarokat válasszon.

Az alkatrészek ellenőrzése

A SU-WL850 modellhez mellékelve

- Ellenőrizze, hogy minden alkatrész megtalálható-e.



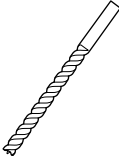
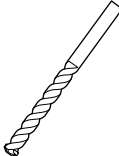
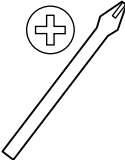




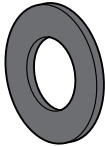

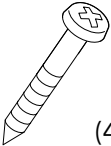
A WM1 (1) 	B WM2 (1) 
C WM3 (4) 	D M6 (4) 
E WT1 (6) 	

A tv-készülékhez mellékelve

VS Fali konzol toldaleka (4) 
--



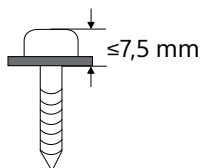
Szükséges szerszámok

*1 	  5,5 mm  10 mm 		
*2 		 1,5 N·m {15 kgf·cm}	
*3  (4)	*2  (4)	*3  8 mm x 60 mm (4)	

*1 Csak gipszkarton fal esetén, oszlopfákkal

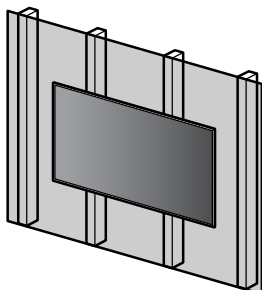
*2 Csak tömör beton, vagy betonelemekből álló fal esetén

*3 A csavarokat és alátéteket gondosan válassza meg

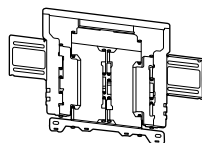


A A TV rögzítése az oszlopfás gipszkarton falra

Gipszkarton, oszlopfákkal



WM1

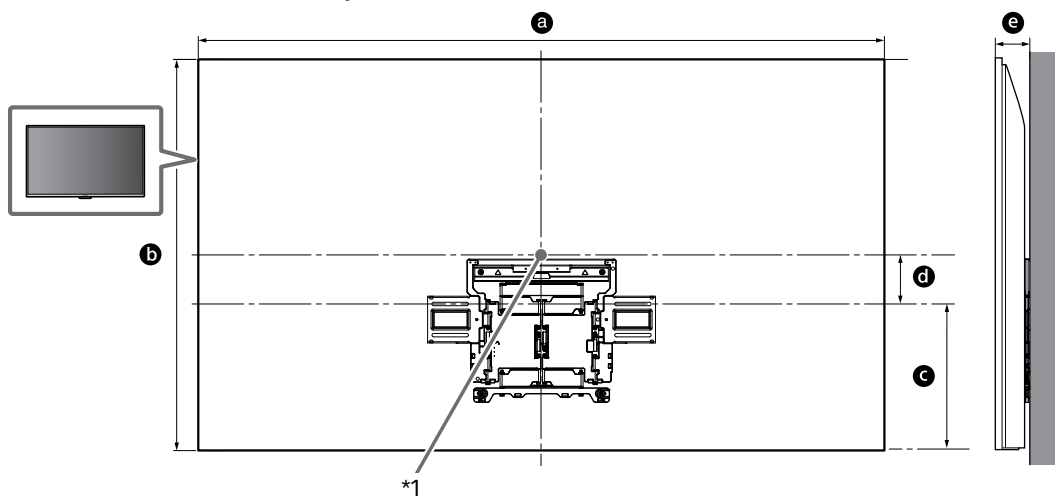


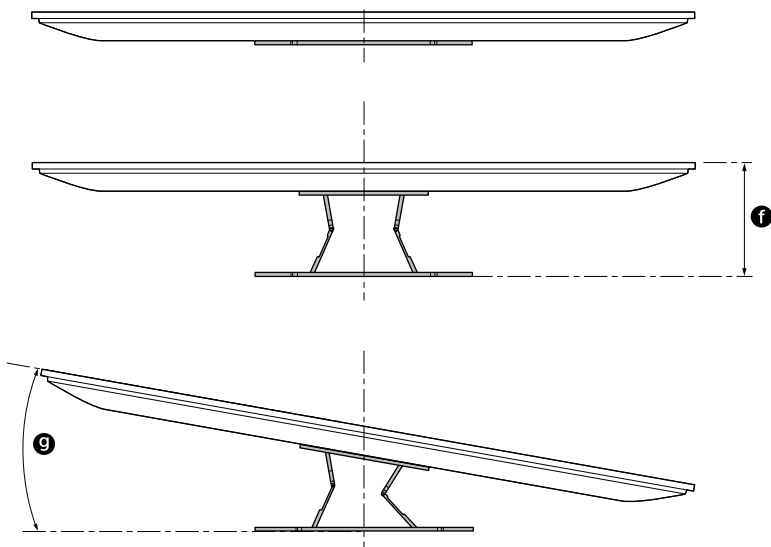
A fal konzol falra szerelése

1 Határozza meg a felszerelés helyét.

Győződjön meg arról, hogy a falon elegendő hely van a tv-készüléknek, illetve hogy a fal legalább a televíziókészülék súlyának négyszeresét képes megtartani.

A következő táblázat alapján szerelje fel a tv-készüléket a falra. A tv-készülék súlyát lásd a készülék Referencia útmutatójában.





(mm)

Típusnév	a	b	c	d	e	f*2	g*2 (°)
KD-75XH80xx	1 686	969	364	123	86	288	15
KE-75XH80xx							
KD-65XH81xx	1 462	841	365	59	83	287	18
KE-65XH81xx							
KD-65XH80xx							
KE-65XH80xx							
KD-55XH81xx	1 243	718	365	3	83	287	20
KE-55XH81xx							
KD-55XH80xx							
KE-55XH80xx							

Méretábrázat a tv-készülék felszereléséhez (mm)

A felszereléstől függően a táblázat adataihoz képest kisebb eltérés mutatkozhat.

*1 (A képernyő középpontja)

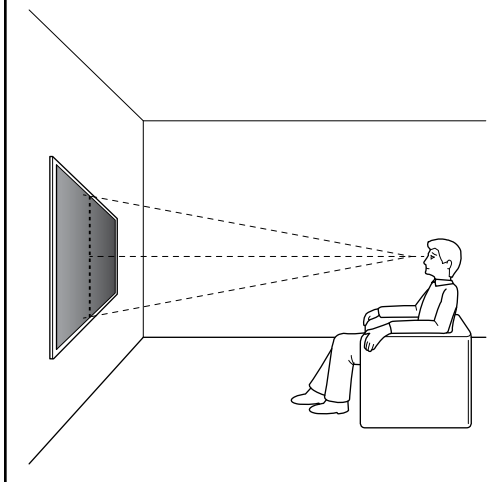
*2 (kb.)

Megjegyzés

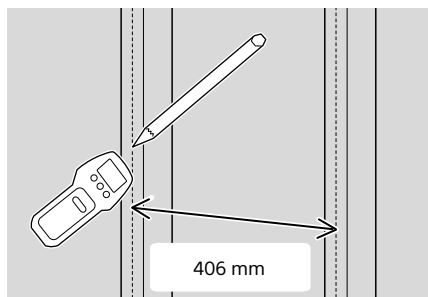
- Ha a tv-készüléket falra szereli, a tv felső oldala enyhén előre dől.

Megjegyzés

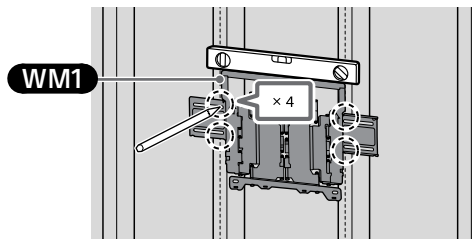
- Javasoljuk, hogy arról a helyről ellenőrizze a TV helyzetét, ahonnan nézni fogják.



2



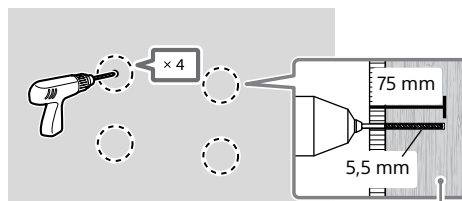
- 3 A **WM1** elemet illesse a falra, és az oszlopfákhoz igazítva jelölje ki a négy furat helyét.



Megjegyzés

- Vízmértékkel ellenőrizze a **WM1** vízszintes helyzetét.

- 4 A jelölések helyén fúrja ki a felső vezetőfuratokat.

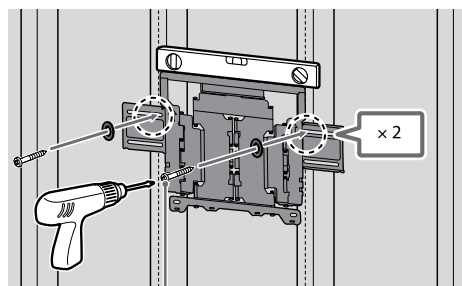


Oszlopfák vagy megerősítés

Megjegyzés

- A vezetőfuratok mélysége 75 mm, a fúrósár átmérője 5,5 mm legyen.

- 5 A megfelelő csavarokkal (nincs mellékelve) és alátétekkel (nincs mellékelve) rögzítse a falra a **WM1** elemet.



8 mm × 60 mm

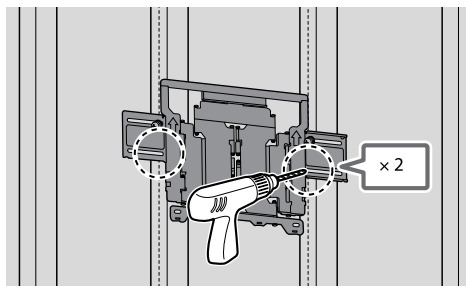
Megjegyzés

- Vízmértékkel ellenőrizze a **WM1** vízszintes helyzetét.

Figyelmeztetés

- Ne húzza meg túlságosan a 8 mm × 60 mm-es facsavart. A helytelen meghúzás csökkentheti a 8 mm × 60 mm-es facsavar tartóerejét.

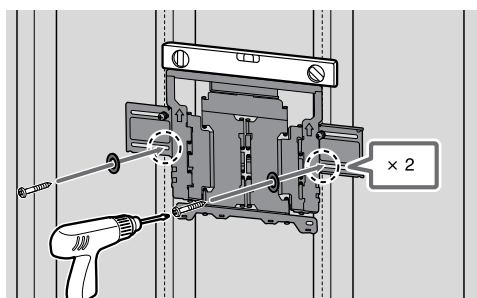
- 6** A jelölések helyén fúrja ki az alsó vezetőfuratokat. (A fúrással kapcsolatban lásd a 4. lépést.)



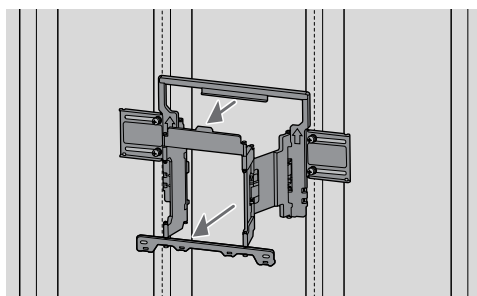
- 7** A megfelelő csavarokat és alátéteket illesse a furatokba.

Megjegyzés

- Vízmértékkel ellenőrizze a fali konzol vízszintes helyzetét.

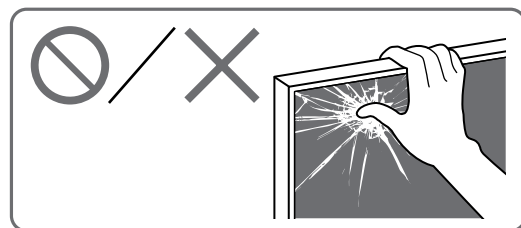


- 8** A végállásig húzza ki a konzol karját.

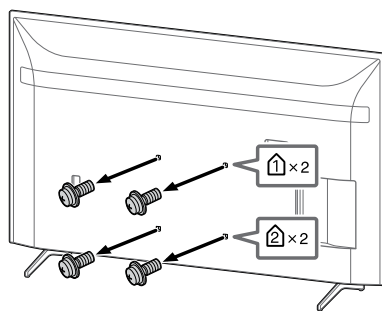


A televíziókészülék felszerelésének előkészítése

A TV falra szerelése előtt a felszerelési útmutatónak megfelelően szerelje fel az asztali állványt.



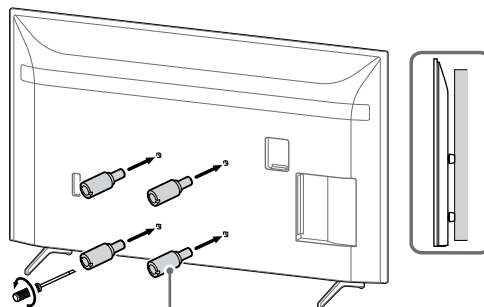
- 1** Távolítsa el a csavarokat a tv-készülék hátuljáról.



Megjegyzés

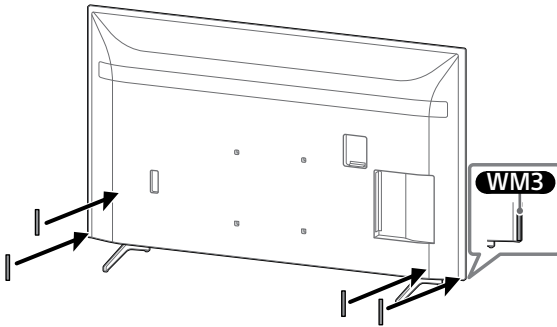
- Ügyeljen arra, hogy az eltávolított csavarokat és használaton kívüli részeket biztos helyen, gyermekek elől elzárva tárolja.

- 2** Csatlakoztassa a fali konzol toldalékát (mellékelve a TV-hez) a TV hátához (annak érdekében, hogy az párhuzamos legyen a fallal).

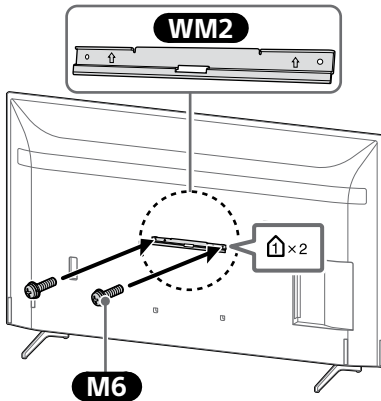


1,5 N·m
{15 kgf·cm}

3 Rögzítse fel a **WM3** tartót.

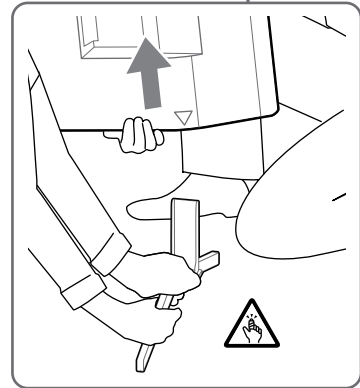


4 Az **WM2** használatával rögzítse a **M6** elemet a TV-hez.



5 Válassza le az asztali állványt a tv-készülekről.

- Egyszerre csak az asztali állvány egyik oldalát távolítsa el. Fogja meg erősen és tartsa meg biztonságosan az asztali állványt mindkét kezével, miközben a többiek felemelik a televíziót.

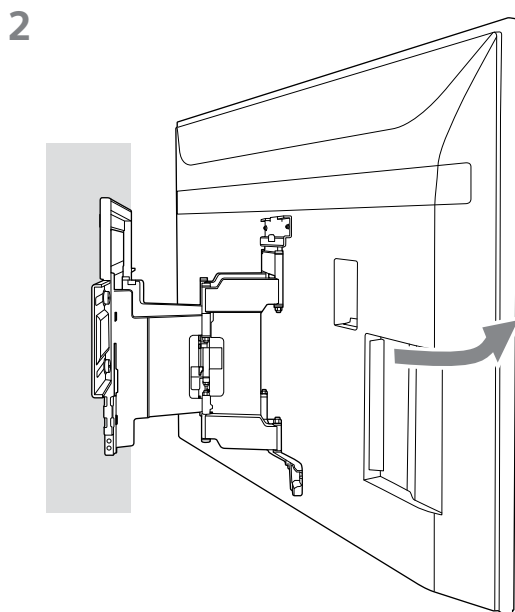
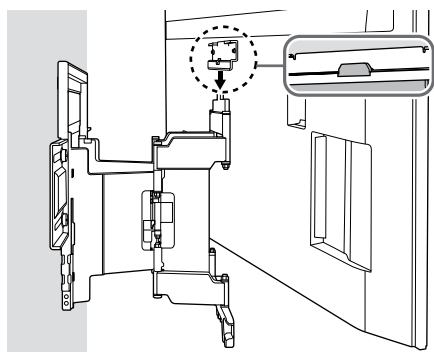
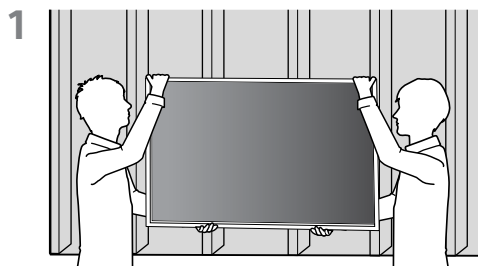


- Ismétlje meg az előző lépést, és távolítsa el az asztali állvány másik oldalát.

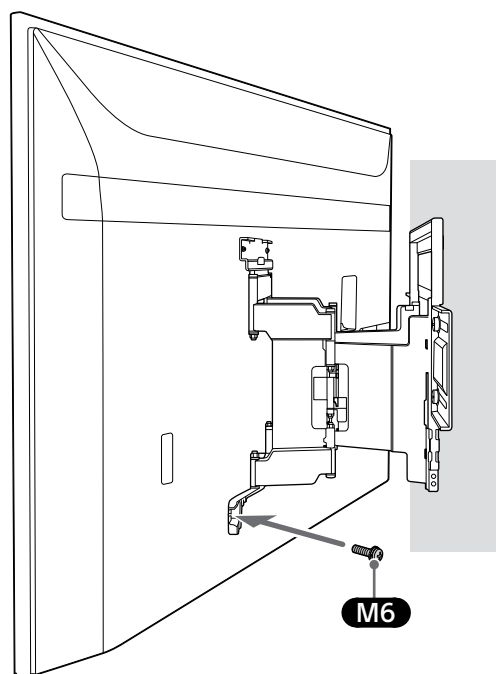
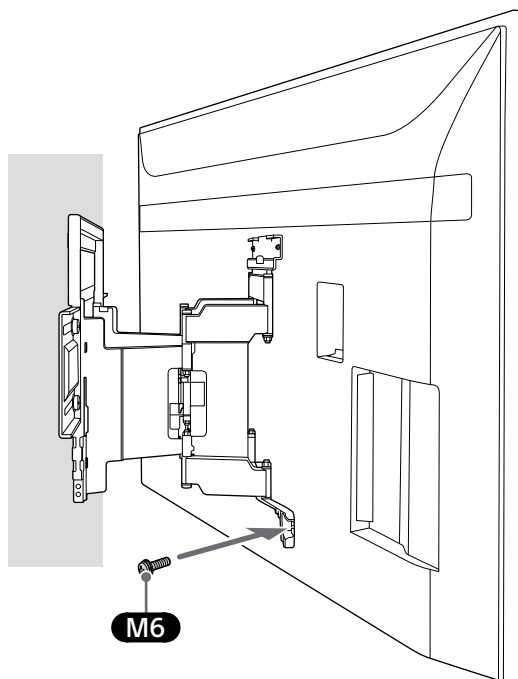
Megjegyzés

- Az asztali állvány leválasztásához három vagy több személy szükséges.
- Ügyeljen arra, hogy az asztali állvány televízióról történő leválasztásakor ne alkalmazzon túl nagy erőt, mert az a televízió leeséséhez vezethet, ami személyi sérülést vagy a televízió fizikai károsodását eredményezheti.
- Az asztali állvány kezelésekor legyen óvatos annak érdekében, hogy elkerülje a televízió sérülését.
- A televízió megemelésékor legyen óvatos, mivel az asztali állvány leválasztása után az asztali állvány felborulhat és személyi sérülést okozhat.
- Legyen óvatos, amikor az asztali állványt leválasztja a televízióról, nehogy az felboruljon és kárt tegyen abban a felületben, amin a televízió áll.

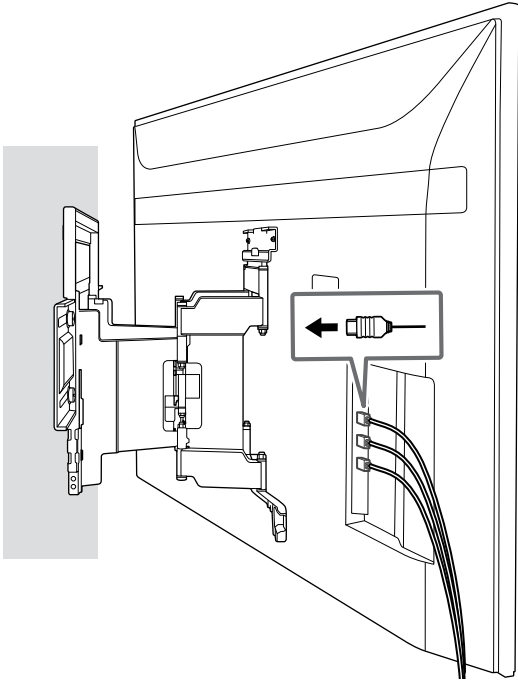
A tv-készülék felszerelése a falra



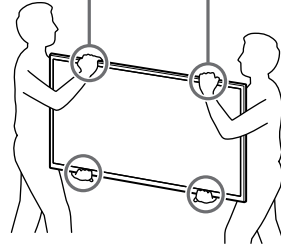
3 Csavarral rögzítse a fali konzol jobb és bal oldalát.



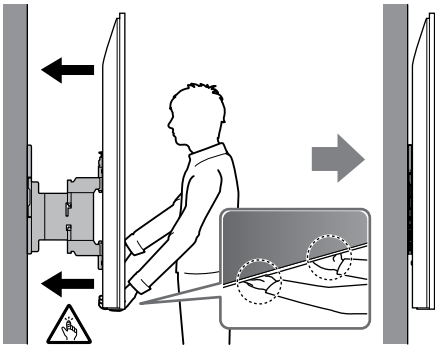
4

**FIGYELMEZTETÉS**

- Ügyeljen rá, hogy kettő, vagy több személy (75 hüvelykes, vagy annál nagyobb televízió esetén három vagy több személy) fogja a televíziót szállítás közben.



5 A TV mozgatásakor erősen tartsa a készülék alját.



A felszerelés megfelelőségének ellenőrzése

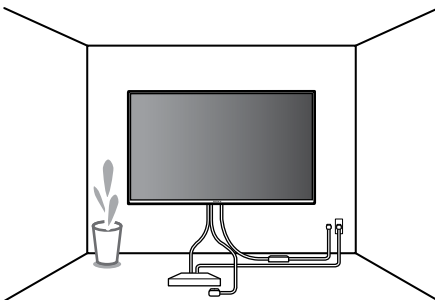
Ellenőrizze a következőket.

- A hálózati kábel és az összekötő kábelek nem csavarodtak meg vagy csípődtek be.

FIGYELMEZTETÉS

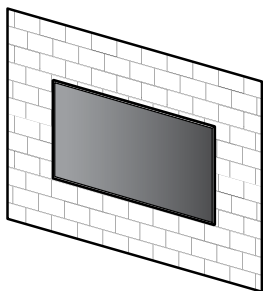
- A hálózati kábel stb. nem megfelelő elhelyezése rövidzárlat miatt tüzet vagy áramütést okozhat. Ellenőrizze a felszerelés megfelelőségét.

6

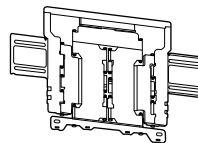


B A fali konzol rögzítése tömör betonból vagy betonelemekből álló falra

Tömör beton, vagy betonelem



WM1

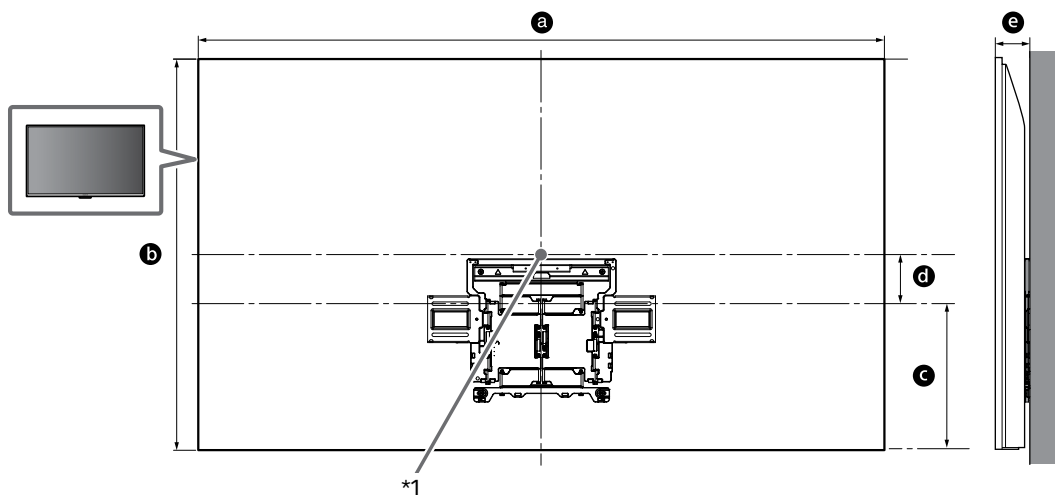


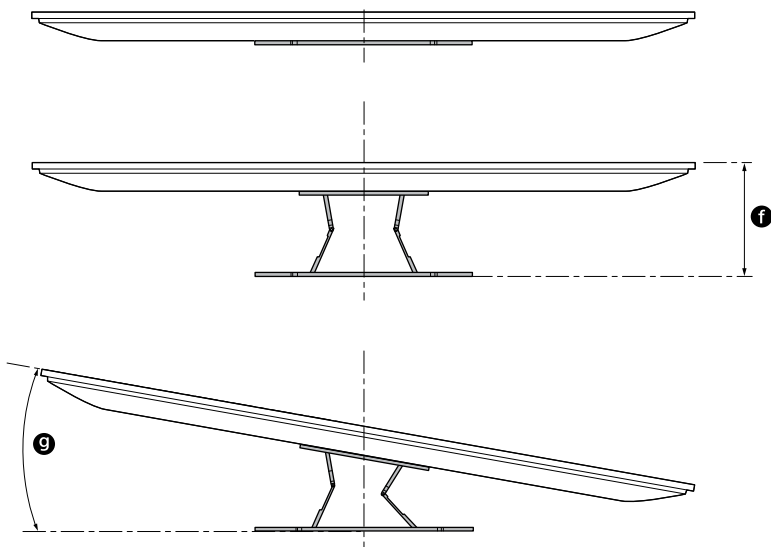
A fali konzol falra szerelése

1 Határozza meg a felszerelés helyét.

Győződjön meg arról, hogy a falon elegendő hely van a tv-készüléknek, illetve hogy a fal legalább a televíziókészülék súlyának négyszeresét képes megtartani.

A következő táblázat alapján szerelje fel a tv-készüléket a falra. A tv-készülék súlyát lásd a készülék Referencia útmutatójában.





(mm)

Típusnév	a	b	c	d	e	f*2	g*2 (°)
KD-75XH80xx	1 686	969	364	123	86	288	15
KE-75XH80xx							
KD-65XH81xx	1 462	841	365	59	83	287	18
KE-65XH81xx							
KD-65XH80xx							
KE-65XH80xx							
KD-55XH81xx	1 243	718	365	3	83	287	20
KE-55XH81xx							
KD-55XH80xx							
KE-55XH80xx							

Méret táblázat a tv-készülék felszereléséhez (mm)

A felszereléstől függően a táblázat adataihoz képest kisebb eltérés mutatkozhat.

*1 (A képernyő középpontja)

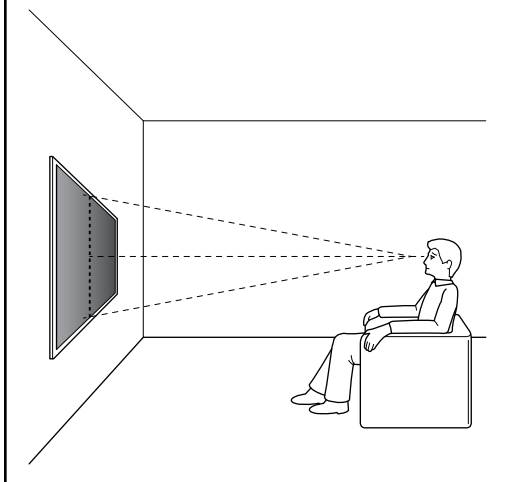
*2 (kb.)

Megjegyzés

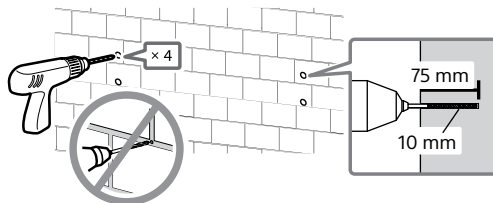
- Ha a tv-készüléket falra szereli, a tv felső oldala enyhén előre dől.

Megjegyzés

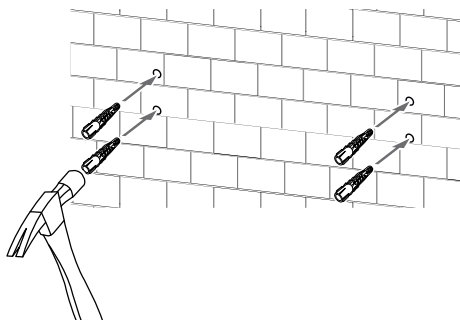
- Javasoljuk, hogy arról a helyről ellenőrizze a TV helyzetét, ahonnan nézni fogják.



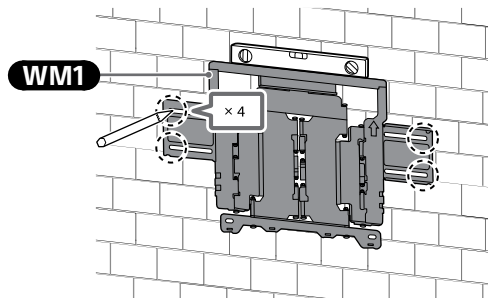
3 A megjelölt pontokon készítsen előfuratokat.



4



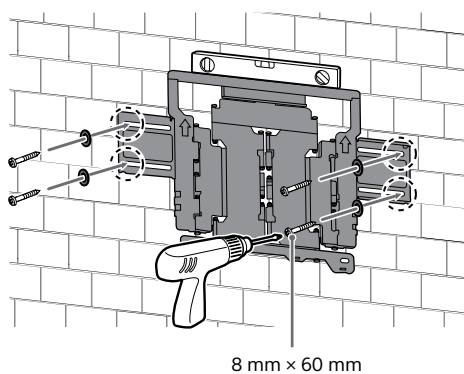
2 A WM1 elemet illessze a falra, és jelölje ki a négy furat helyét.



Megjegyzés

- Vízmértékkel ellenőrizze a WM1 vízszintes helyzetét.

5 A megfelelő csavarokkal (nincs mellékelve) és alátétekkel (nincs mellékelve) rögzítse a falra a WM1 elemet.



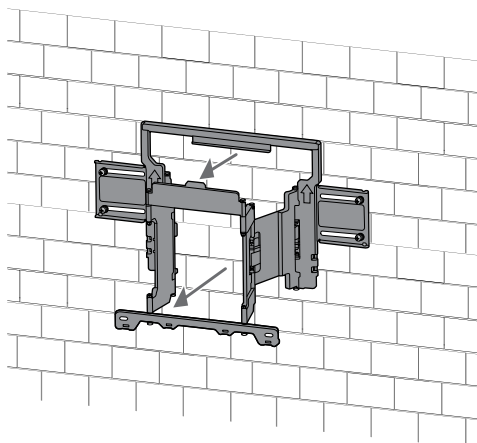
Megjegyzés

- Vízmértékkel ellenőrizze a fali konzol vízszintes helyzetét.

Figyelmeztetés

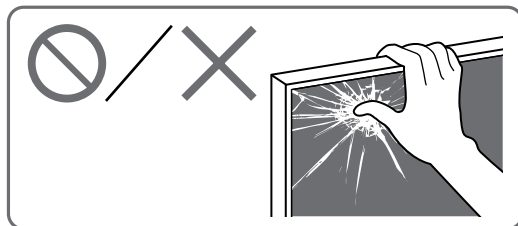
- Ne húzza meg túlságosan a 8 mm x 60 mm-es facsavart. A helytelen meghúzás csökkentheti a 8 mm x 60 mm-es facsavar tartóerejét.

- 6 A végállásig húzza ki a konzol karját.

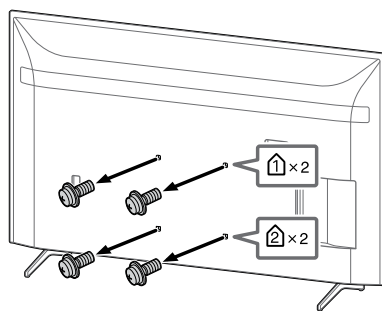


A televíziókészülék felszerelésének előkészítése

A TV falra szerelése előtt a felszerelési útmutatónak megfelelően szerelje fel az asztali állványt.



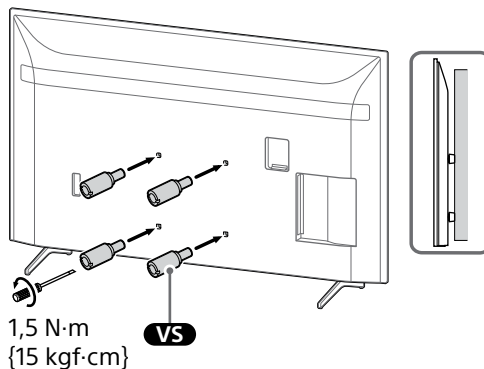
- 1 Távolítsa el a csavarokat a tv-készülék hátuljáról.



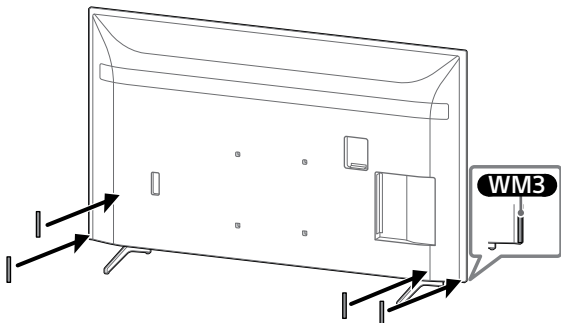
Megjegyzés

- Ügyeljen arra, hogy az eltávolított csavarokat és használaton kívüli részeket biztos helyen, gyermekek elől elzárva tárolja.

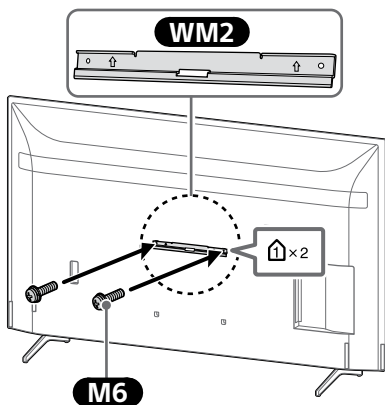
- 2 Csatlakoztassa a fali konzol toldalékát (mellékelve a TV-hez) a TV hátához (annak érdekében, hogy az párhuzamos legyen a fallal).



3 Rögzítse fel a **WM3** tartót.

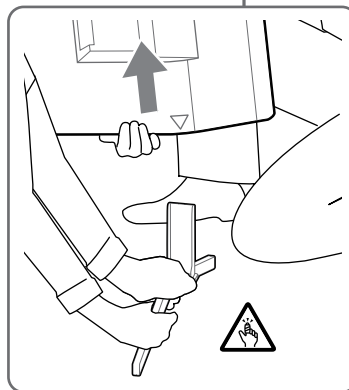
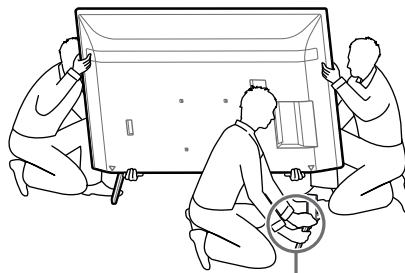


4 Az **WM2** használatával rögzítse a **M6** elemet a TV-hez.



5 Válassza le az asztali állványt a tv-készülekről.

- Egyszerre csak az asztali állvány egyik oldalát távolítsa el. Fogja meg erősen és tartsa meg biztonságosan az asztali állványt mindkét kezével, miközben a többiek felemelik a televíziót.

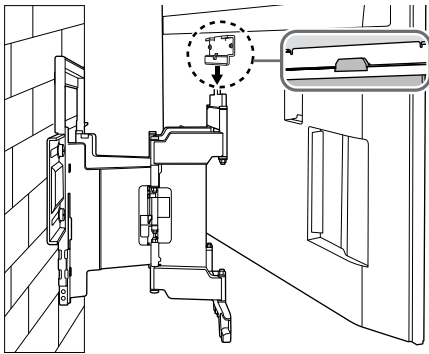
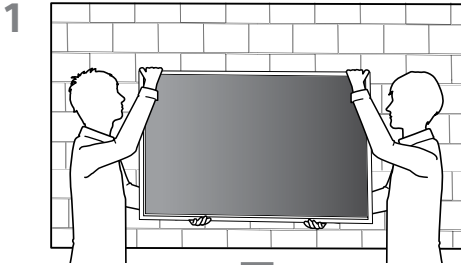


- Ismétlje meg az előző lépést, és távolítsa el az asztali állvány másik oldalát.

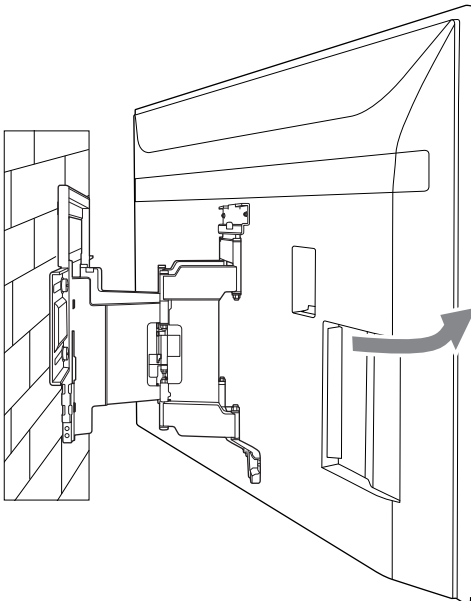
Megjegyzés

- Az asztali állvány leválasztásához három vagy több személy szükséges.
- Ügyeljen arra, hogy az asztali állvány televízióról történő leválasztásakor ne alkalmazzon túl nagy erőt, mert az a televízió leeséséhez vezethet, ami személyi sérülést vagy a televízió fizikai károsodását eredményezheti.
- Az asztali állvány kezelésekor legyen óvatos annak érdekében, hogy elkerülje a televízió sérülését.
- A televízió megemelésékor legyen óvatos, mivel az asztali állvány leválasztása után az asztali állvány felborulhat és személyi sérülést okozhat.
- Legyen óvatos, amikor az asztali állványt leválasztja a televízióról, nehogy az felboruljon és kárt tegyen abban a felületben, amin a televízió áll.

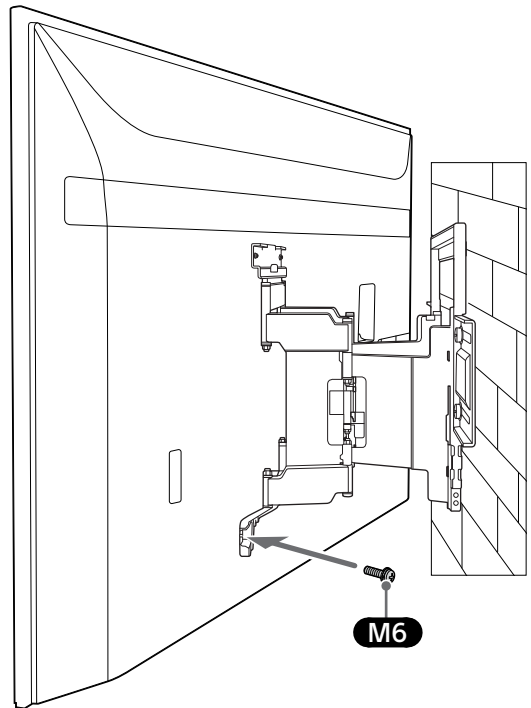
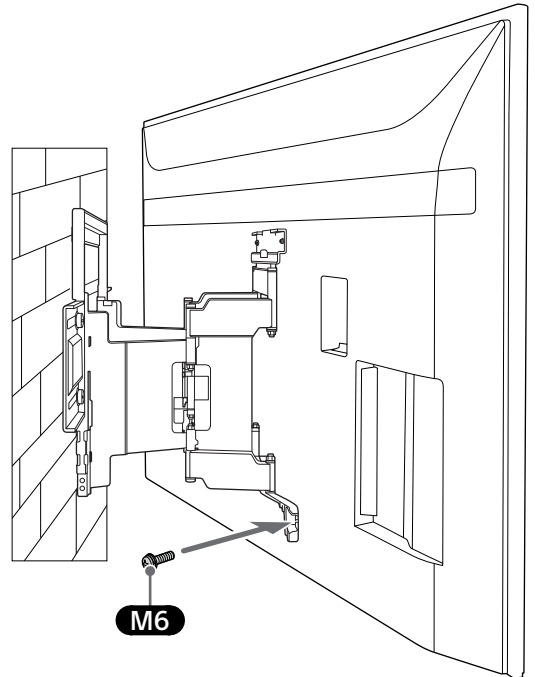
A tv-készülék felszerelése a falra



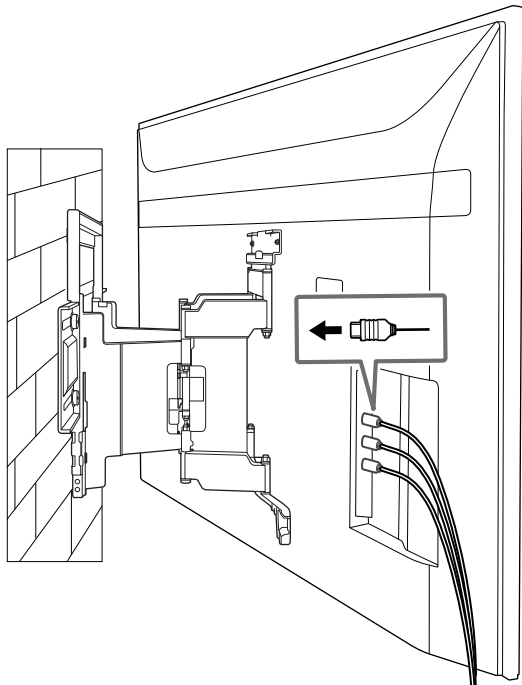
2



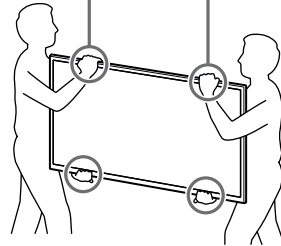
3 Csavarral rögzítse a fali konzol jobb és bal oldalát.



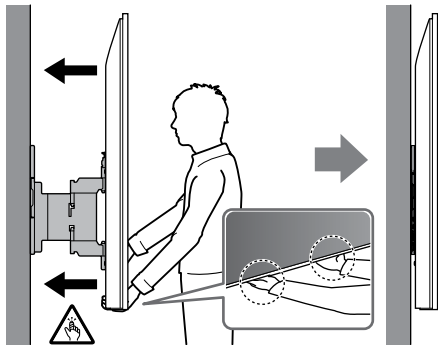
4

**FIGYELMEZTETÉS**

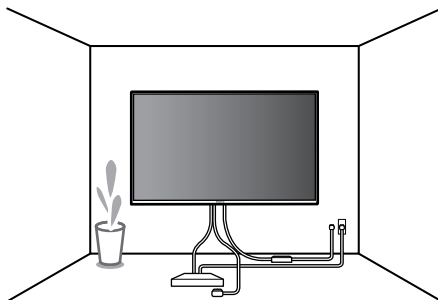
- Ügyeljen rá, hogy kettő, vagy több személy (75 hüvelykes, vagy annál nagyobb televízió esetén három vagy több személy) fogja a televíziót szállítás közben.



5 A TV mozgásakor erősen tartsa a készülék alját.



6



A felszerelés megfelelőségének ellenőrzése

Ellenőrizze a következőket.

- A hálózati kábel és az összekötő kábelek nem csavarodtak meg vagy csípődtek be.

FIGYELMEZTETÉS

- A hálózati kábel stb. nem megfelelő elhelyezése rövidzárlat miatt tüzet vagy áramütést okozhat. Ellenőrizze a felszerelés megfelelőségét.

Egyéb információk

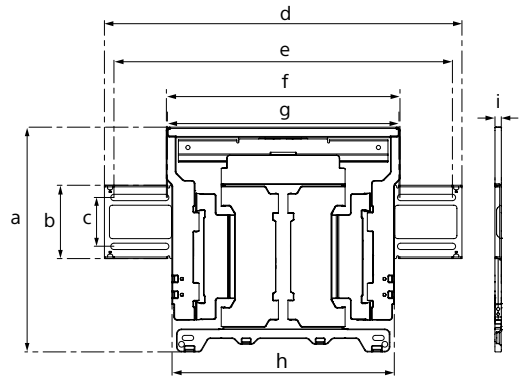
A televíziókészülék eltávolításakor visszafelé hajtsa végre az eljárást.

FIGYELMEZTETÉS

- Ügyeljen rá, hogy kettő, vagy több személy (75 hüvelykes, vagy annál nagyobb televízió esetén három vagy több személy) fogja a televíziót leszerelés közben.

Műszaki adatok

WM1



Méretek: (kb.) [mm]

a : 354
b : 116
c : 77
d : 563
e : 533
f : 370
g : 368
h : 350
i : 11

Súly (csak az alap): (kb.) [kg]

3,0

A forma és a műszaki adatok előzetes bejelentés nélkül megváltozhatnak.

Instalační informace k používání nástěnného držáku Sony (SU-WL850)

Podporované modely*:

KD-75XH80xx / 65XH81xx / 65XH80xx / 55XH81xx / 55XH80xx

KE-75XH80xx / 65XH81xx / 65XH80xx / 55XH81xx / 55XH80xx

* U jednotlivých názvů modelů označuje „xx“ čísla a/nebo znaky popisující jednotlivé konkrétní modely.

Pro zákazníky

Společnost Sony za účelem ochrany produktu a z důvodů bezpečnosti důrazně doporučuje, aby instalaci televizoru provedl prodejce Sony nebo autorizovaný dodavatel. Nepokoušejte se o jeho instalaci sami.

Pro prodejce a dodavatele Sony

Během instalace, pravidelné údržby a prohlídek výrobku důsledně dbejte na bezpečnost.

Instalace tohoto produktu vyžaduje dostatečné zkušenosti, zejména pak pro posouzení, zda zeď unese váhu televizoru. Připevnění tohoto produktu na zeď byste měli svěřit prodejcům Sony nebo autorizovaným dodavatelům a během instalace věnovat patřičnou pozornost bezpečnosti. Společnost Sony nenese žádnou odpovědnost za poškození nebo zranění způsobené nesprávnou manipulací nebo instalací.

V zájmu bezpečné a správné instalace postupujte podle provozních pokynů k montáži nástěnného držáku, průvodce nastavením televizoru a pokynů v této příručce.

Nástěnný držák

Bezpečnostní opatření

Děkujeme, že jste si zakoupili tento produkt.

Pro zákazníky

Montáž televizoru na zeď



VYŽADUJE ODBORNOU INSTALACI

Instalaci tohoto produktu smí provést pouze odborník, který dokáže fundovaně posoudit nosnost stěny vzhledem ke hmotnosti TV. V případě nedostatečného upevnění během instalace může dojít k pádu TV a k vážnému zranění. Společnost Sony není odpovědná za jakékoliv škody nebo zranění způsobená nesprávným zacházením, nesprávnou instalací nebo instalací jiného, než určeného produktu. Vaše zákonná práva (pokud existují) nejsou omezena.

Informace pro prodejce společnosti Sony

Montáž tohoto produktu vyžaduje odborné znalosti a zkušenosti. Důkladně si přečtěte tento návod k použití, abyste montáž mohli provést v souladu s bezpečnostními pokyny. Společnost Sony nenese žádnou odpovědnost za jakékoliv škody nebo zranění způsobená nesprávným zacházením nebo nesprávnou montáží. Po provedení montáže tento návod vraťte zákazníkovi.

Tento návod k použití popisuje správnou manipulaci s produktem a obsahuje důležité upozornění, jejichž dodržování brání vzniku nehod. Jste povinni si přečíst veškeré pokyny v této příručce, důkladně je porozumět a dodržovat je. Zanedbání této povinnosti může mít za následek zranění nebo škody na majetku a propadnutí záruky. Tento návod uschovejte pro budoucí použití.

Produkty od společnosti Sony jsou navrženy s ohledem na bezpečnost. Pokud nebudete produkt používat správně, může dojít k vážnému zranění ohněm, elektrickému šoku nebo v důsledku převrácení nebo pádu produktu. Aby k takovým nehodám nedošlo, vždy dodržujte uvedená bezpečnostní opatření.

UPOZORNĚNÍ

Určené produkty

Tato konzola pro montáž na zeď je určena k použití s určenými televizory. V „Referenční příručce“ k TV ověřte, zda nástěnný držák lze použít.

Pro zákazníky

VAROVÁNÍ

Pokud nebudete dodržovat následující bezpečnostní opatření, může dojít k vážným zraněním nebo smrti v důsledku požáru, úrazu elektrickým proudem nebo pádu produktu.

Proto montáž tohoto produktu svěřte licencovaným dodavatelům a během montáže nedovolte malým dětem pobývat v blízkosti produktu.

Pokud konzolu pro montáž na zeď nebo televizor nenamontujete správně, může dojít k následujícím nehodám. Montáž svěřte licencovaným dodavatelům.

- Televizor může spadnout a způsobit vážné zranění, například zhmoždění nebo zlomeninu.
- Pokud zeď, na kterou chcete konzolu namontovat, není stabilní, rovná a kolmá k podlaze, jednotka může spadnout a způsobit zranění nebo poškození majetku. Nosnost stěny musí být alespoň šestkrát vyšší, než hmotnost TV. (Hmotnost TV je uvedena v příslušné „Referenční příručce“.)
- Pokud není montáž konzoly na zeď dostatečně pevná, jednotka může spadnout a způsobit zranění nebo poškození majetku.

Přenos nebo demontáž televizoru svěřte licencovaným dodavatelům.

Pokud přenos nebo demontáž televizoru provádí jiné osoby než licencovaní dodavatelé, může televizor spadnout a způsobit zranění nebo poškození majetku. Přenášení nebo demontáž televizoru musí provádět dvě nebo více osob (tři nebo více osob v případě televizoru o velikosti 75 palců a více).

Po montáži televizoru nevytahujte šrouby atd.

V opačném případě by mohl televizor spadnout a způsobit zranění nebo poškození majetku.

Součásti konzoly pro montáž na zeď nijak neupravujte.

V opačném případě by mohla konzola spadnout a způsobit zranění nebo poškození majetku.

Na konzolu nemontujte žádná jiná než určená zařízení.

Tato konzola pro montáž na zeď je určena k použití pouze s určenými zařízeními. Pokud na ni namontujete jiné než určené zařízení, mohlo by spadnout nebo se rozlomit a způsobit zranění nebo poškození majetku.

Zabraňte tomu, aby na konzolu působila jiná zátěž než televizor. Netřeste televizorem doleva/doprava, nahoru/dolů.

V opačném případě by mohl televizor spadnout a způsobit zranění nebo poškození majetku.

O televizor se neopírejte ani se na něj nezavěšujte.

O televizor se neopírejte ani se na něj nezavěšujte, protože by na vás mohl spadnout a způsobit vážné zranění.

UPOZORNĚNÍ

Pokud nebudete dodržovat následující opatření, může dojít ke zranění nebo poškození majetku.

- Při manipulaci s nástěnným držákem nebo otáčením TV dávejte pozor, abyste si neskřípli prsty.
- Při otáčení televizoru dávejte pozor, abyste nezranili osoby nacházející se v jeho blízkosti.
- Nepoužité části uložte na bezpečném místě pro budoucí použití. Uchovávejte je mimo dosah dětí.

Během čištění nebo provádění údržby na produkt nevyvíjejte nadměrnou sílu.

Na horní část televizoru nevyvíjejte sílu. V opačném případě by mohl televizor spadnout a způsobit zranění nebo poškození majetku.

Bezpečnostní opatření

- Pokud používáte televizor namontovaný na konzole na zeď dlouhou dobu, barva stěny za nebo nad televizorem se může změnit nebo může dojít k odlepení tapety, v závislosti na materiálu stěny.
- Pokud po montáži na zeď konzolu odstraníte, zůstanou po ní díry na šrouby.
- Konzolu pro montáž na zeď nepoužívejte na místech, na která působí mechanické ořesy.

Montáž konzoly na zeď

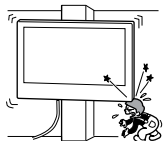
Informace pro
prodejce společnosti
Sony

VAROVÁNÍ

Následující pokyny jsou určeny pouze pro prodejce společnosti Sony. Pročtěte si výše uvedené pokyny a během montáže, údržby a kontroly tohoto produktu věnujte zvýšenou pozornost bezpečnosti.

Konzolu na zeď nemontujte na plochy stěn, na kterých rohy nebo boky televizoru přecházejí ze stěny.

Konzolu na zeď nemontujte na plochy stěn, například sloupky, na kterých rohy nebo boky televizoru přecházejí ze stěny. Pokud do vyčnívajícího rohu nebo boku televizoru narazí osoba nebo předmět, může dojít ke zranění nebo poškození majetku.

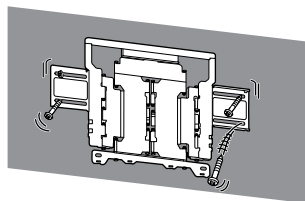


Televizor nemontujte nad ani pod klimatizaci.

Pokud je televizor dlouhodobě vystaven prosakování vody nebo proudu vzduchu z klimatizace, může dojít k požáru, úrazu elektrickým proudem nebo poruše televizoru.

Konzolu na zeď bezpečně namontujte podle následujících pokynů v tomto návodu k použití.

Pokud jsou kterékoli šrouby uvolněné nebo pokud vypadnou, konzola může spadnout a způsobit zranění nebo poškození majetku. Použijte šrouby vhodné pro materiál zdi a nainstalujte jednotku pevně pomocí čtyř šroubů s průměrem 8 mm (nebo ekvivalentním).



Používejte pouze dodané šrouby a další součásti podle pokynů uvedených v tomto návodu k použití. Pokud použijete náhradní součásti, televizor může spadnout a způsobit zranění osob nebo poškození televizoru.

Konzolu sestavte správně dle pokynů vysvětlených v tomto návodu k použití.

Pokud jsou kterékoli šrouby uvolněné nebo pokud vypadnou, televizor může spadnout a způsobit zranění osob nebo poškození televizoru.

Šrouby pevně utáhněte v určené poloze.

V opačném případě může televizor spadnout a způsobit zranění osob nebo poškození televizoru.

Během montáže dávejte pozor, aby nedošlo k nárazu televizoru.

Pokud je televizor vystaven nárazům, může dojít k jeho pádu nebo rozlomení. V důsledku toho by pak mohlo dojít ke zranění.

Televizor namontujte na stěnu, která je kolmá a rovná.

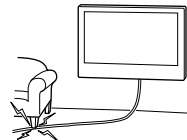
V opačném případě by mohl televizor spadnout a způsobit zranění.

Po řádné montáži televizoru řádně zajistěte kabely.

Pokud se do kabelů zamotají osoby nebo jiné předměty, může dojít ke zranění nebo poškození televizoru.

Dávejte pozor, aby nedošlo ke skřípnutí napájecí šňůry nebo propojovacího kabelu.

Pokud dojde ke skřípnutí napájecí šňůry nebo propojovacího kabelu mezi jednotku a stěnu nebo pokud dojde k jejich násilnému ohnutí nebo zkroucení, vnitřní vodiče mohou být obnaženy a mohou způsobit zkrat nebo přerušení elektrického obvodu. V důsledku toho může dojít k požáru nebo úrazu elektrickým proudem.



Šrouby nutné k montáži konzoly na zeď nejsou součástí balení.

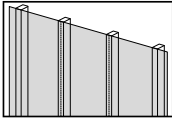
Při montáži konzoly na zeď použijte vhodné šrouby pro materiál stěny.

Než začnete

Nejdříve zjistěte typ stěny, na kterou chcete TV instalovat.

Z čeho je vaše stěna vyrobena?

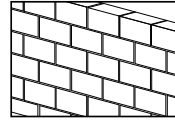
Sádkartonová stěna s rámy z dřevěných hranolů



Bezpečnostní opatření

- Maximální tloušťka sádkartonové stěny: 16 mm.
- Zkontrolujte, zda je velikost hranolu vnitřního dřevěného rámu alespoň 51 x 102 mm pro běžné nebo 38 x 89 mm pro jmenovité.
- Mezi upevňovacími prvky zachovejte vodorovnou vzdálenost minimálně 406 mm.

Betonové tvárnice nebo tvárnice ztraceného bednění



Bezpečnostní opatření

- Nástěnný držák namontujte přímo na stěnu z betonových tvárnic.
- Zkontrolujte, zda je tloušťka stěny z betonových tvárnic alespoň 203 mm.
- Zkontrolujte, zda je velikost jednotlivých tvárnic ztraceného bednění alespoň 203 x 203 x 406 mm.

CZ

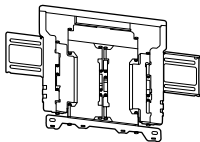

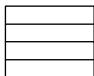

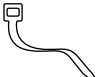
Příprava na montáž

- Před instalací mějte po ruce referenční příručku a průvodce nastavením televizoru.
- Zkontrolujte montážní polohu televizoru.
- Připravte si čtyři šrouby průměru 8 mm a čtyři odpovídající podložky (není součástí dodávky).
Vyberte šrouby vhodné pro materiál stěny.


Kontrola součástí

Dodáno s modelem SU-WL850

- Zkontrolujte, že žádná součást nechybí.



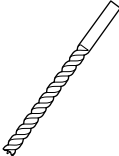
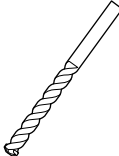
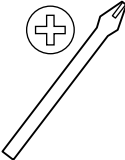




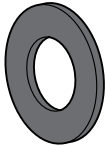

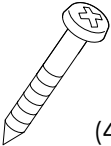
A WM1 (1) 	B WM2 (1) 
C WM3 (4) 	D M6 (4) 
E WT1 (6) 	

Dodáno s televizorem

VS Upevňovací díl pro montáž na zed' (4) 
--



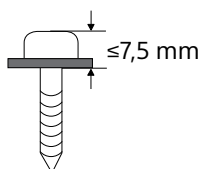
Potřebné nástroje

*1 	  5,5 mm  10 mm 		
*2 		 1,5 N·m {15 kg/cm}	
*3  (4)	*2  (4)	*3  8 mm x 60 mm (4)	

*1 Pouze pro sádkartonovou stěnu s rámy z dřevěných hranolů

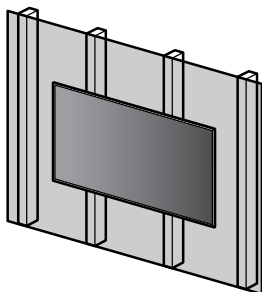
*2 Pouze pro stěnu z betonových tvárnic nebo z tvárnic ztraceného bednění

*3 Pečlivě vyberte šrouby a podložky

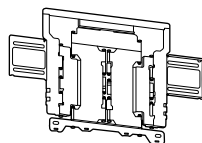


A Montáž TV na sádkokartonovou stěnu s rámy z dřevěných hranolů

Sádkokartonová stěna s rámy z dřevěných hranolů



WM1

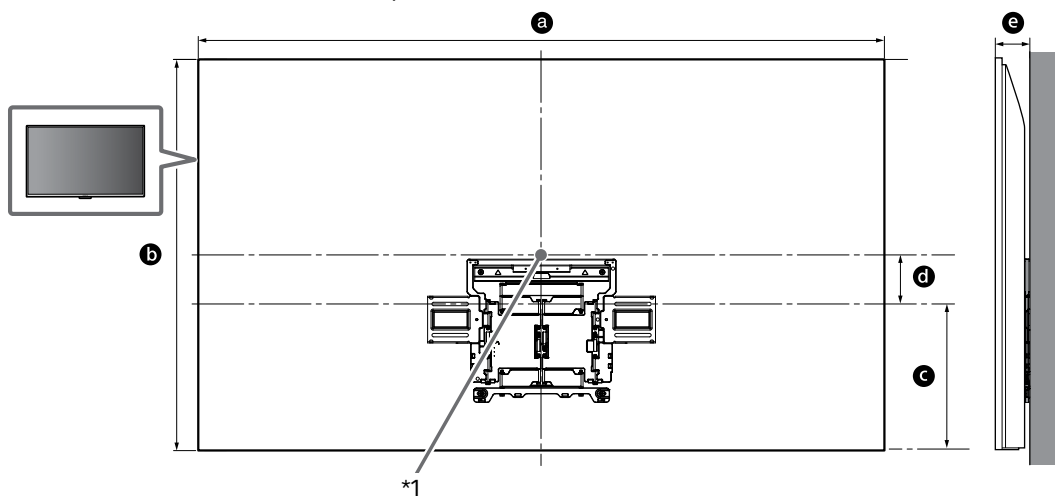


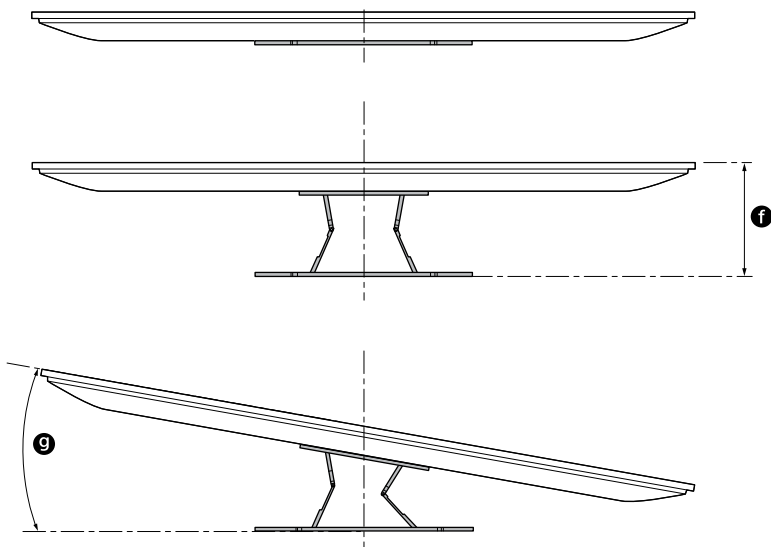
Instalace nástěnného držáku na stěnu

1 Rozhodněte se, kam chcete konzolu upevnit.

Ujistěte se, že je na zdi na televizor dostatek prostoru a že zeď unese alespoň čtyřnásobek hmotnosti televizoru.

Informace o montáži televizoru na zeď naleznete v následující tabulce. Informace o hmotnosti televizoru naleznete v Referenční příručce k televizoru.





(mm)

Název modelu	a	b	c	d	e	f*2	g*2 (°)
KD-75XH80xx	1 686	969	364	123	86	288	15
KE-75XH80xx							
KD-65XH81xx	1 462	841	365	59	83	287	18
KE-65XH81xx							
KD-65XH80xx							
KE-65XH80xx							
KD-55XH81xx	1 243	718	365	3	83	287	20
KE-55XH81xx							
KD-55XH80xx							
KE-55XH80xx							

Tabulka instalačních rozměrů TV (v mm)

Hodnoty v tabulce se v závislosti na instalaci mohou mírně lišit.

*1 (Bod středu obrazovky)

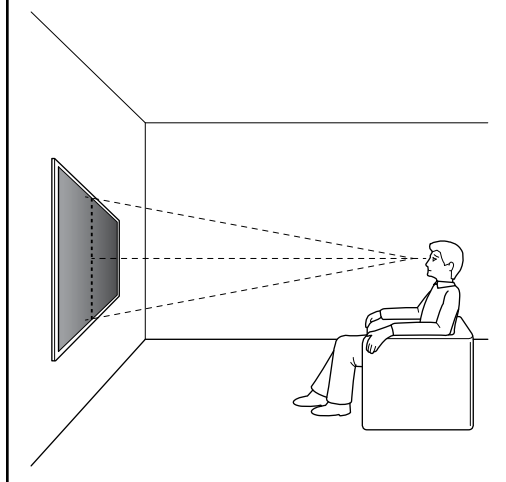
*2 (přibl.)

Poznámka

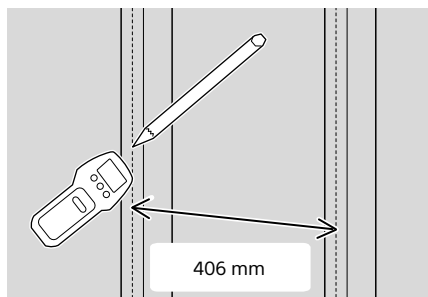
- Když televizor namontujete na zeď, bude se horní strana televizoru mírně naklánět vpřed.

Poznámka

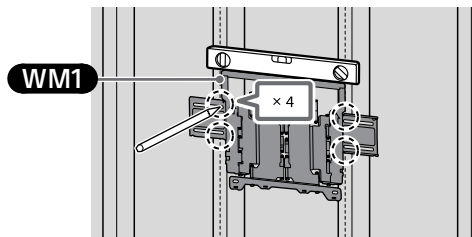
- Doporučujeme vyzkoušet polohu TV při sledování.



2



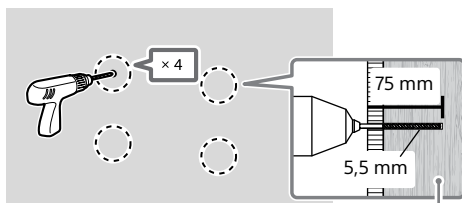
3 Zorientujte **WM1** ke stěně a provedte čtyři značky v místě hranolů.



Poznámka

- Pomocí vodováhy zkontrolujte, zda je **WM1** v rovnováze.

4 Na horních značkách předvrtejte otvory.

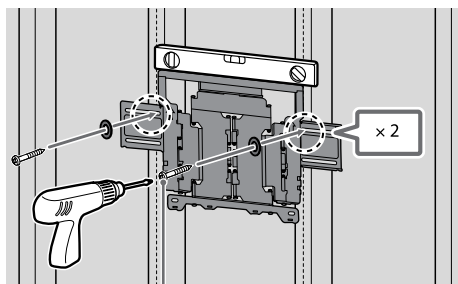


Rám z dřevěných hranolů nebo zpevnění

Poznámka

- Otvory je nutno předvrtat do hloubky 75 mm vrtákem o průměru 5,5 mm.

5 Namontujte **WM1** na stěnu s použitím vhodných šroubů (není součástí dodávky) a podložek (není součástí dodávky).



8 mm × 60 mm

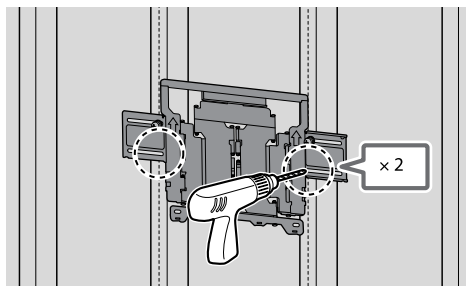
Poznámka

- Pomocí vodováhy zkontrolujte, zda je **WM1** v rovnováze.

Upozornění

- Neutahujte dřevěný šroub 8 mm × 60 mm příliš. Nesprávné utahnutí by mohlo snížit pevnost spoje dřevěného šroubu 8 mm × 60 mm.

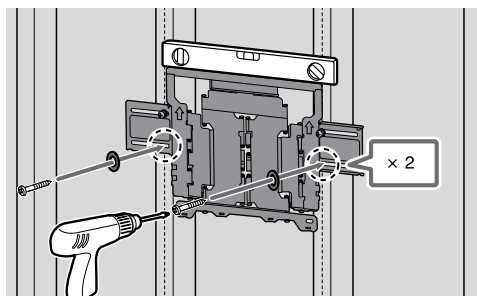
- 6 Na dolních značkách předvrtejte otvory. (Pokyny pro vrtání viz krok 4.)



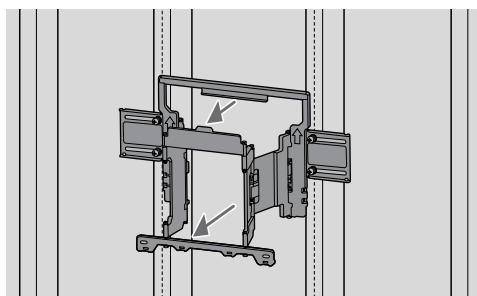
- 7 Do otvorů zašroubujte vhodné šrouby s podložkami.

Poznámka

- Pomocí vodováhy zkontrolujte, zda je nástěnný držák v rovnováze.

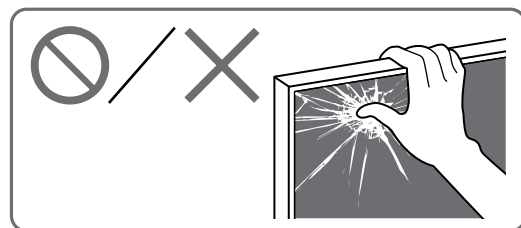


- 8 Vysuňte rameno držáku do konce.

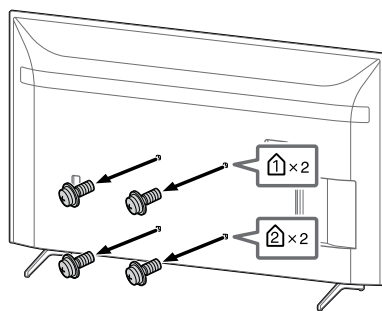


Příprava na montáž televizoru

Zajistěte, že před instalací TV na stěnu byl připevněn stolní stojan dle pokynů v průvodci nastavením.



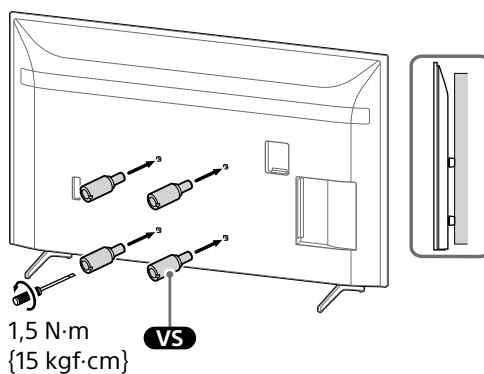
- 1 Vyšroubujte šrouby ze zadní části televizoru.



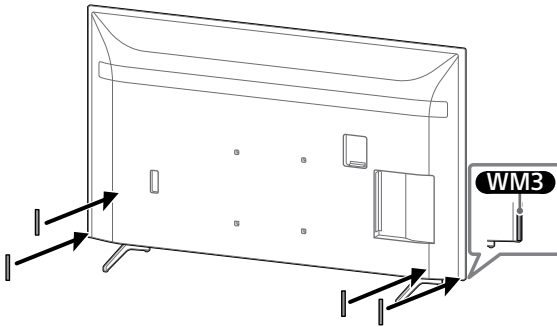
Poznámka

- Vyšroubované šrouby a nepoužité díly uschovejte na bezpečném místě mimo dosah dětí.

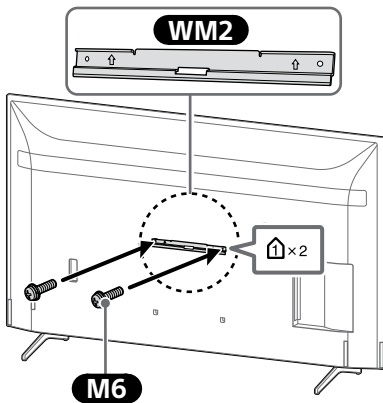
- 2 Připojte upevňovací díl pro montáž na zeď (dodán s TV) na zadní stranu TV (aby byla rovnoběžně se stěnou).



3 Připevněte **WM3**.

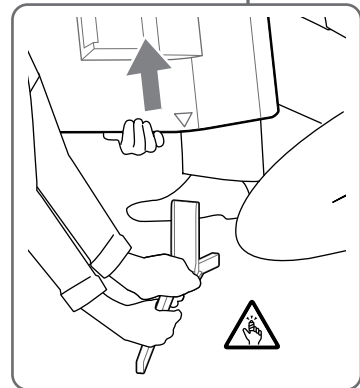
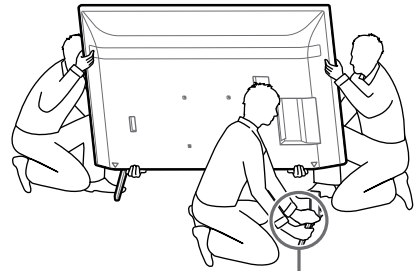


4 Připevněte **WM2** k TV s použitím **M6**.



5 Odmontujte stolní stojan od televizoru.

- Odstraňte současně jednu stranu stolního stojanu. Pevně držte stolní stojan bezpečně oběma rukama, zatímco ostatní lidé zvedají televizor.

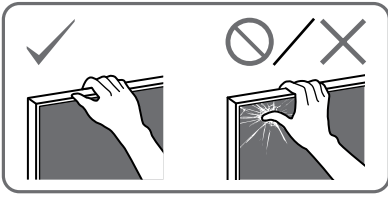


- Opakujte předchozí krok a odstraňte druhou stranu stolního stojanu.

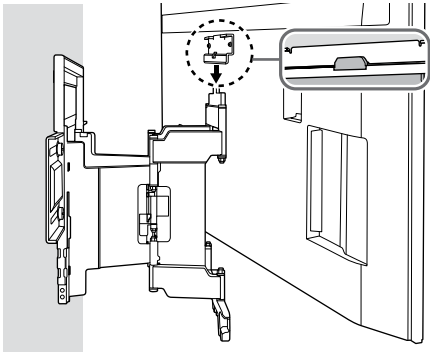
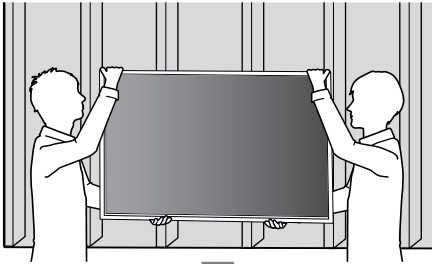
Poznámka

- Odpojení stolního stojanu od televizoru vyžaduje tři nebo více lidí.
- Dávejte pozor, abyste při odpojování stolního stojanu od televizoru nepůsobili nadměrnou silou, protože by televizor mohl spadnout a mohlo by tak dojít ke zranění osob nebo k poškození televizoru.
- Při manipulaci se stolním stojanem dávejte pozor, abyste zabránili poškození televizoru.
- Při zvedání televizoru buďte opatrní, protože při odpojení stolního stojanu by mohlo dojít k jeho převrácení a ke zranění osob.
- Při demontáži stolního stojanu z televizoru buďte opatrní, aby nedošlo k jeho pádu a poškození povrchu, na němž televizor stojí.

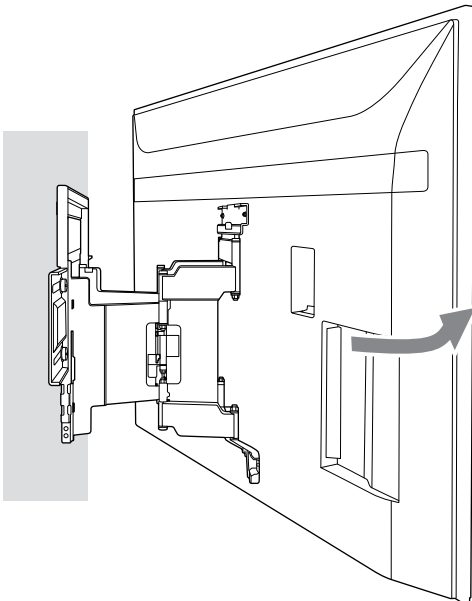
Montáž televizoru na zeď



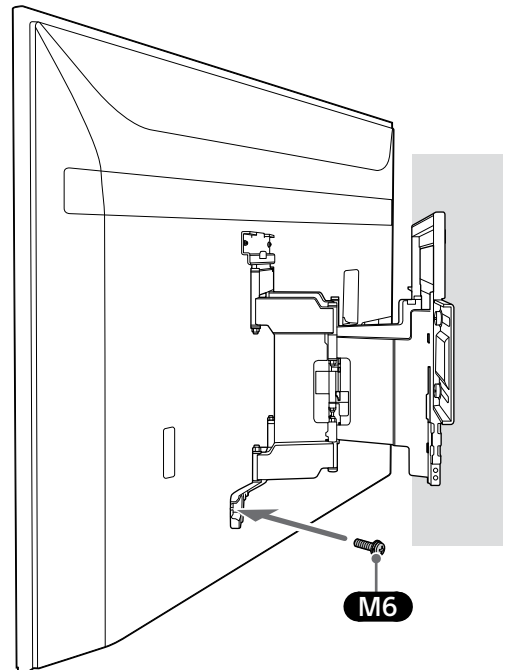
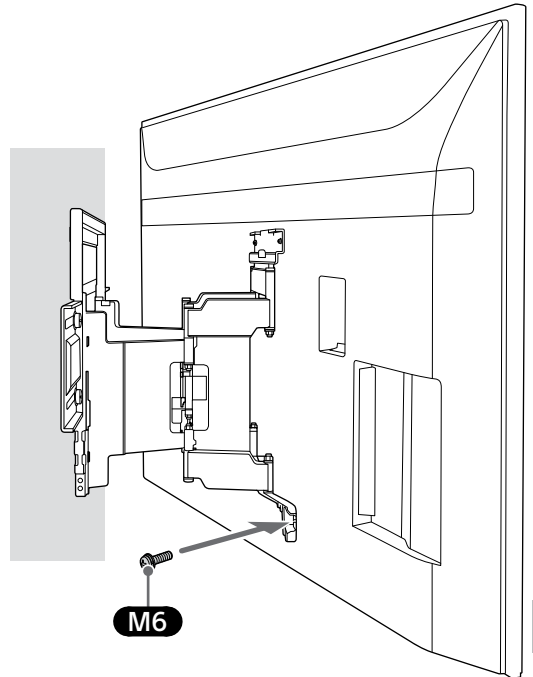
1



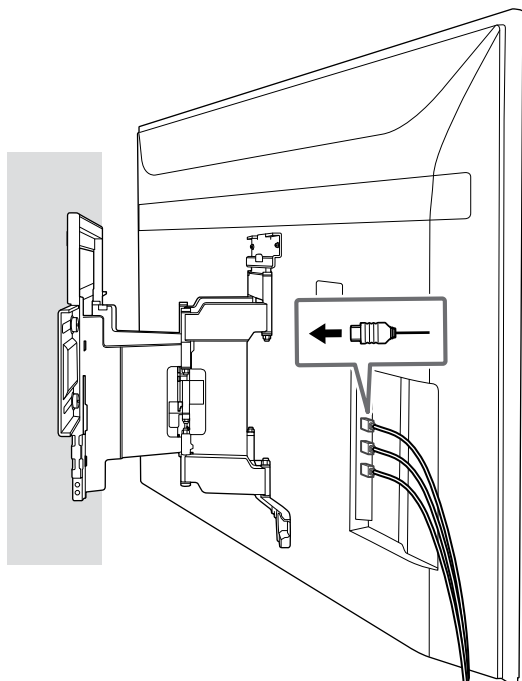
2



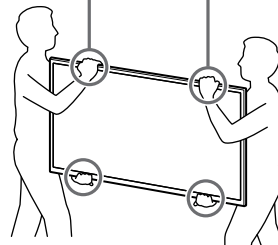
3 Zašroubujte levou a pravou stranu nástěnného držáku.



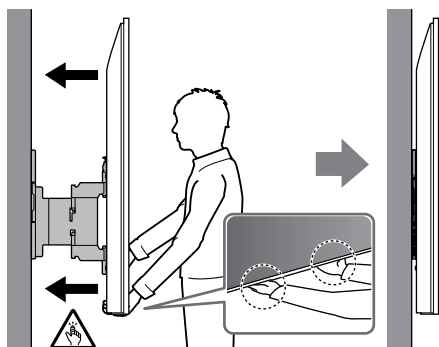
4

**VAROVÁNÍ**

- Přenášení televizoru musí provádět dvě nebo více osob (tři nebo více osob v případě televizoru o velikosti 75 palců a více).



5 Při přemísťování uchopte TV pevně za spodek.

**Potvrzení dokončení montáže**

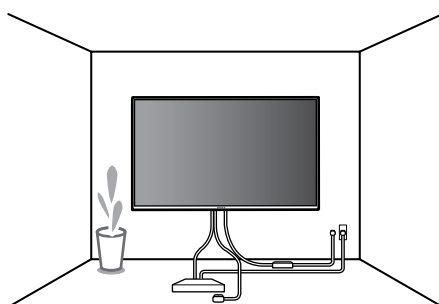
Zkontrolujte následující body.

- Šňůry ani kabely nejsou zkrouceny ani skřípnuty.

VAROVÁNÍ

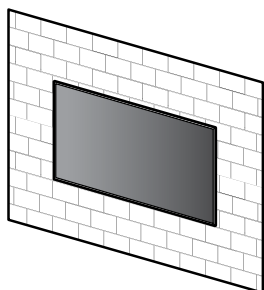
- Nesprávné umístění napájecí šňůry atd. může způsobit požár nebo úraz elektrickým proudem v důsledku zkratu. Z bezpečnostních důvodů je třeba dokončení montáže potvrdit.

6

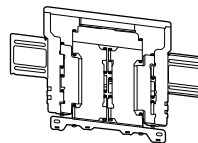


B Montáž nástěnného držáku na stěnu z betonových tvárnic nebo z tvárnic ztraceného bednění

Betonové tvárnice nebo tvárnice ztraceného bednění



WM1



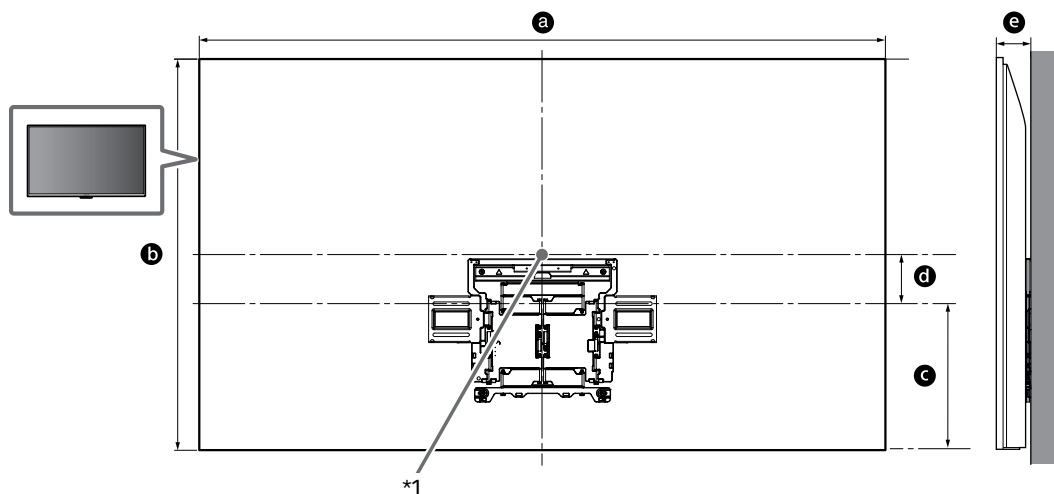
Instalace nástěnného držáku na stěnu

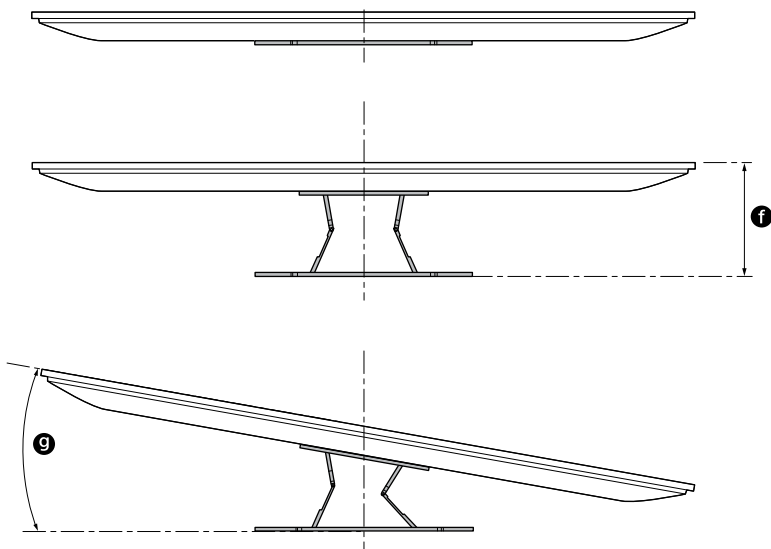
1 Rozhodněte se, kam chcete konzolu upevnit.

Ujistěte se, že je na zdi na televizor dostatek prostoru a že zeď unese alespoň čtyřnásobek hmotnosti televizoru.

Informace o montáži televizoru na zeď naleznete v následující tabulce. Informace o hmotnosti televizoru naleznete v Referenční příručce k televizoru.

CZ





(mm)

Název modelu	a	b	c	d	e	f*2	g*2 (°)
KD-75XH80xx	1 686	969	364	123	86	288	15
KE-75XH80xx							
KD-65XH81xx	1 462	841	365	59	83	287	18
KE-65XH81xx							
KD-65XH80xx							
KE-65XH80xx							
KD-55XH81xx	1 243	718	365	3	83	287	20
KE-55XH81xx							
KD-55XH80xx							
KE-55XH80xx							

Tabulka instalačních rozměrů TV (v mm)

Hodnoty v tabulce se v závislosti na instalaci mohou mírně lišit.

*1 (Bod středu obrazovky)

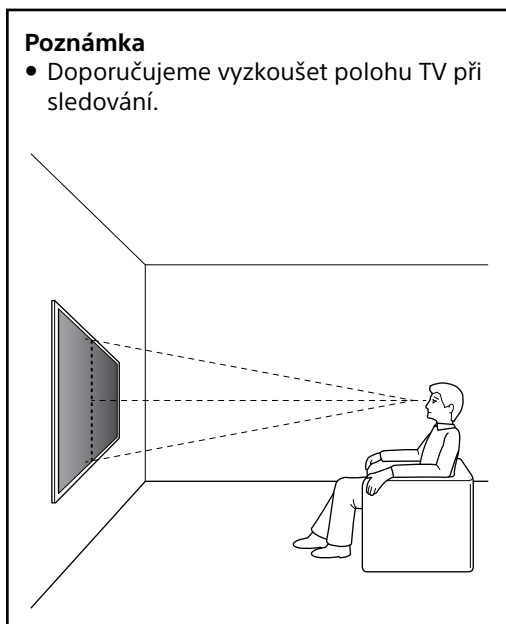
*2 (přibl.)

Poznámka

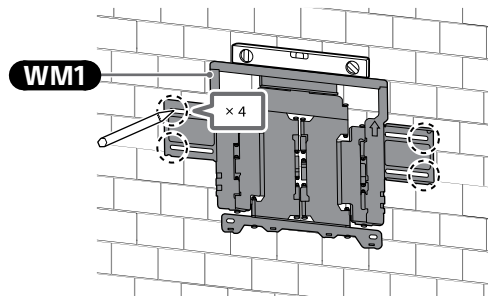
- Když televizor namontujete na zeď, bude se horní strana televizoru mírně naklánět vpřed.

Poznámka

- Doporučujeme vyzkoušet polohu TV při sledování.



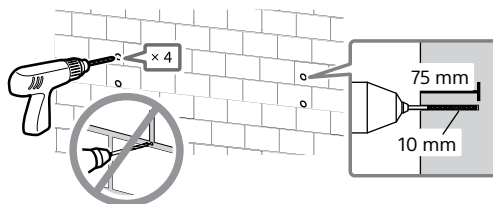
- 2 Zorientujte **WM1** ke stěně a proveďte čtyři značky.



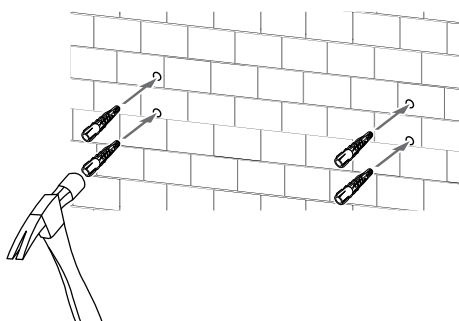
Poznámka

- Pomocí vodováhy zkontrolujte, zda je **WM1** v rovnováze.

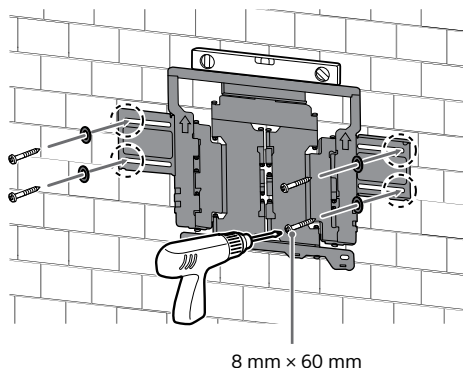
- 3 Vyvrtejte otvory na značkách.



- 4



- 5 Namontujte **WM1** na stěnu s použitím vhodných šroubů (není součástí dodávky) a podložek (není součástí dodávky).



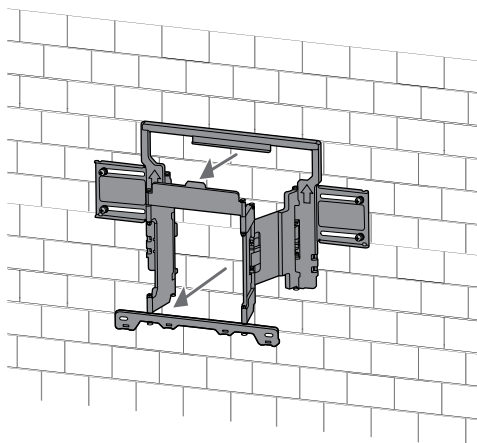
Poznámka

- Pomocí vodováhy zkontrolujte, zda je nástěnný držák v rovnováze.

Upozornění

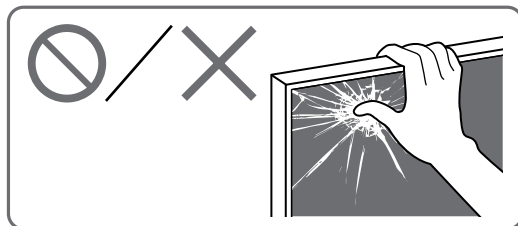
- Neutahujte dřevěný šroub 8 mm x 60 mm příliš. Nesprávné utažení by mohlo snížit pevnost spoje dřevěného šroubu 8 mm x 60 mm.

- 6 Vysuňte rameno držáku do konce.

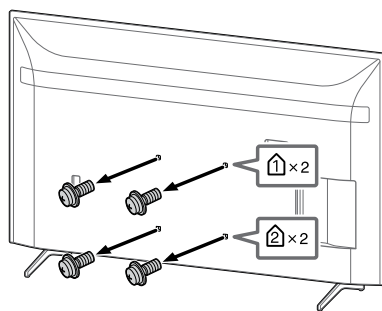


Příprava na montáž televizoru

Zajistěte, že před instalací TV na stěnu byl připevněn stolní stojan dle pokynů v průvodci nastavením.



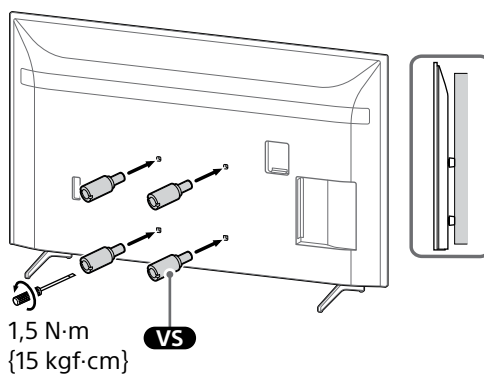
- 1 Vyšroubujte šrouby ze zadní části televizoru.



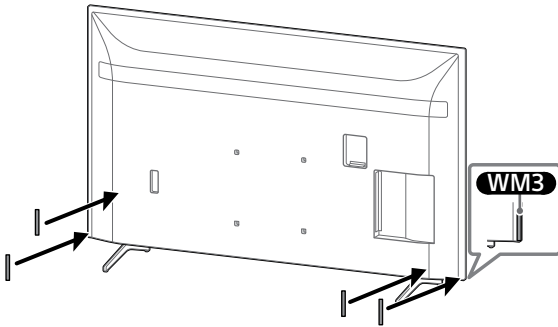
Poznámka

- Vyšroubované šrouby a nepoužité díly uschovejte na bezpečném místě mimo dosah dětí.

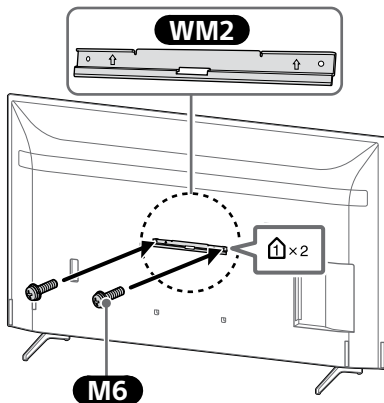
- 2 Připojte upevňovací díl pro montáž na zeď (dodán s TV) na zadní stranu TV (aby byla rovnoběžně se stěnou).



3 Připevněte **WM3**.

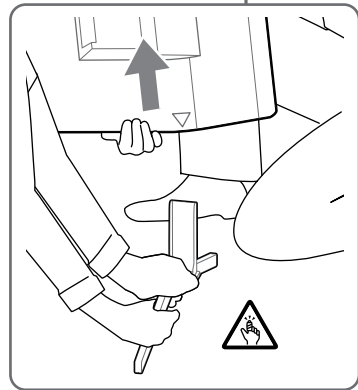
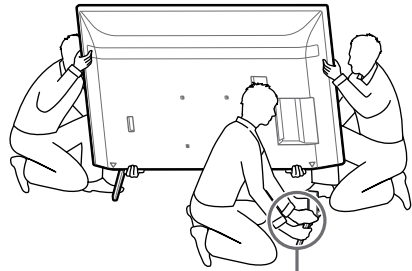


4 Připevněte **WM2** k TV s použitím **M6**.



5 Odmontujte stolní stojan od televizoru.

- Odstraňte současně jednu stranu stolního stojanu. Pevně držte stolní stojan bezpečně oběma rukama, zatímco ostatní lidé zvedají televizor.

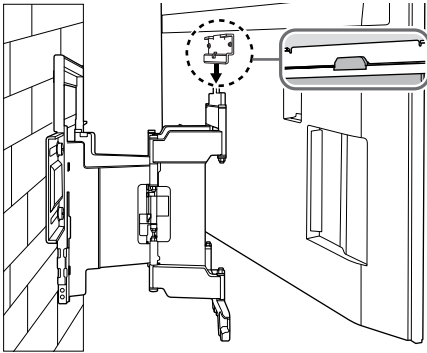
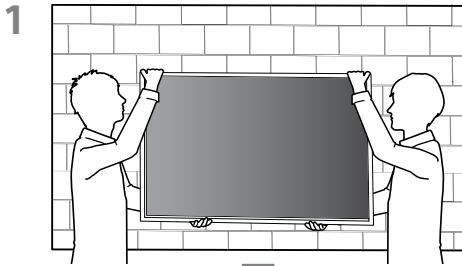
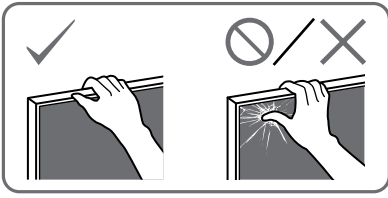


- Opakujte předchozí krok a odstraňte druhou stranu stolního stojanu.

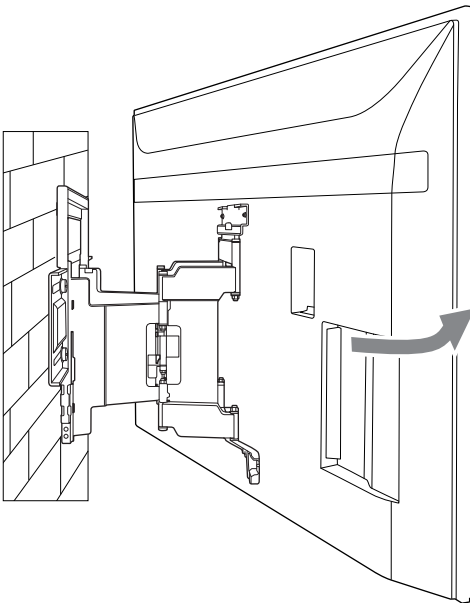
Poznámka

- Odpojení stolního stojanu od televizoru vyžaduje tři nebo více lidí.
- Dávejte pozor, abyste při odpojování stolního stojanu od televizoru nepůsobili nadměrnou silou, protože by televizor mohl spadnout a mohlo by tak dojít ke zranění osob nebo k poškození televizoru.
- Při manipulaci se stolním stojanem dávejte pozor, abyste zabránili poškození televizoru.
- Při zvedání televizoru buďte opatrní, protože při odpojení stolního stojanu by mohlo dojít k jeho převrácení a ke zranění osob.
- Při demontáži stolního stojanu z televizoru buďte opatrní, aby nedošlo k jeho pádu a poškození povrchu, na němž televizor stojí.

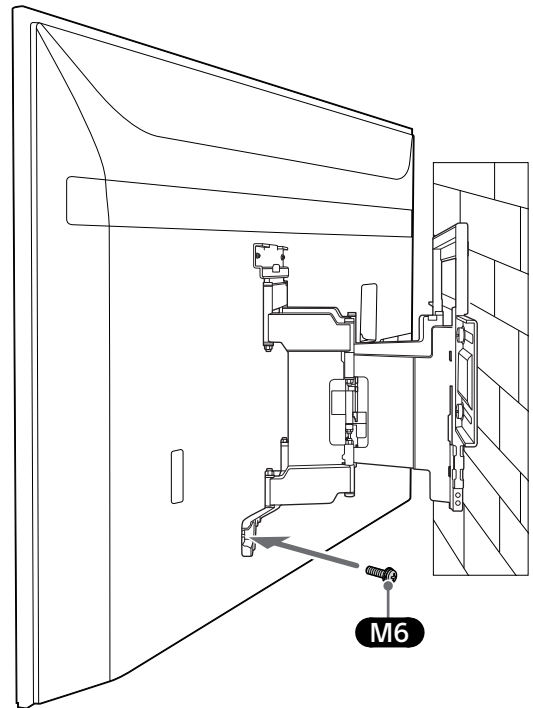
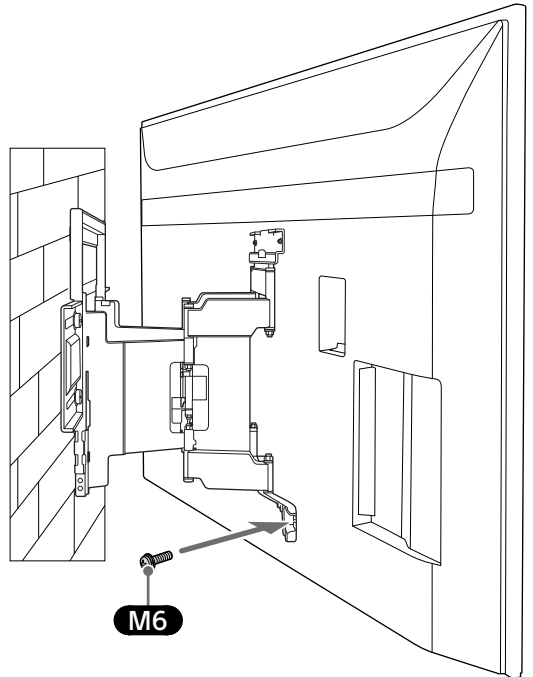
Montáž televizoru na zeď



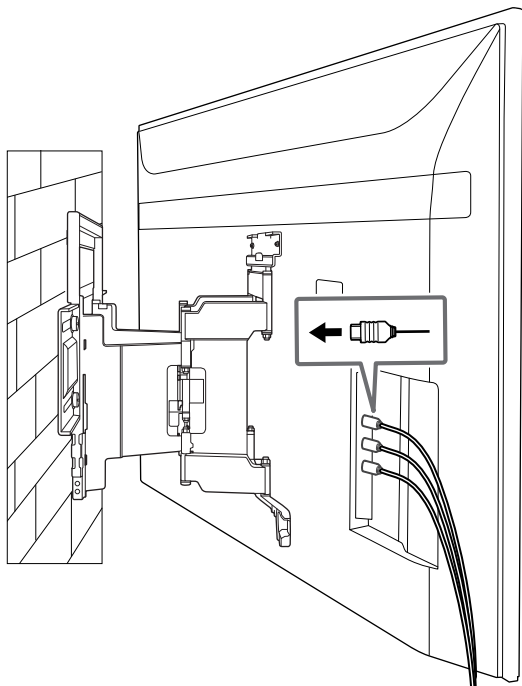
2



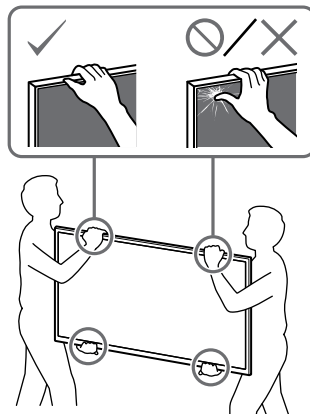
3 Zašroubujte levou a pravou stranu nástěnného držáku.



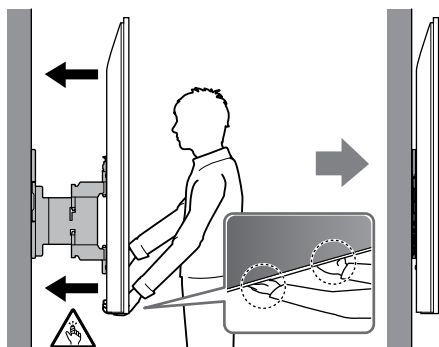
4

**VAROVÁNÍ**

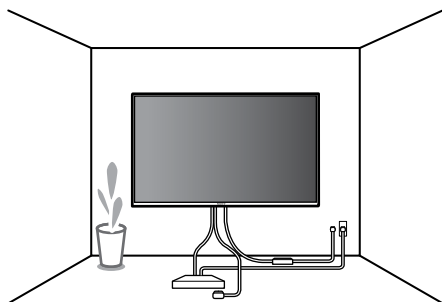
- Přenášení televizoru musí provádět dvě nebo více osob (tři nebo více osob v případě televizoru o velikosti 75 palců a více).



5 Při přemísťování uchopte TV pevně za spodek.



6



CZ

Potvrzení dokončení montáže

Zkontrolujte následující body.

- Šňůry ani kabely nejsou zkrouteny ani skřípnuty.

VAROVÁNÍ

- Nesprávné umístění napájecí šňůry atd. může způsobit požár nebo úraz elektrickým proudem v důsledku zkratu. Z bezpečnostních důvodů je třeba dokončení montáže potvrdit.

Další informace

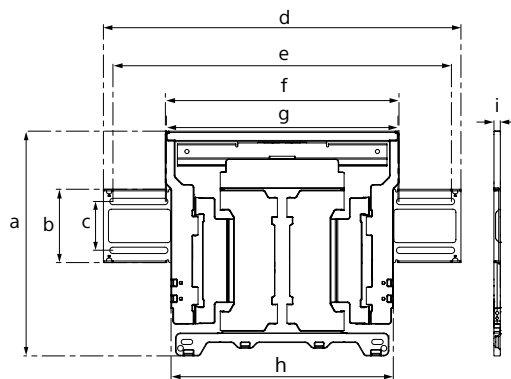
Při demontáži televizoru proveďte uvedený postup v obráceném sledu.

VAROVÁNÍ

- Odstraňování televizoru musí provádět dvě nebo více osob (tři nebo více osob v případě televizoru o velikosti 75 palců a více).

Technické údaje

WM1



Rozměry: (přibl.) [mm]

a : 354
b : 116
c : 77
d : 563
e : 533
f : 370
g : 368
h : 350
i : 11

Hmotnost (pouze základna): (přibl.) [kg]

3,0

Vzhled a technické údaje se mohou bez předchozího upozornění změnit.

Informácie týkajúce sa používania montážnej konzoly na stenu Sony (SU-WL850)

Podporované modely*:

KD-75XH80xx / 65XH81xx / 65XH80xx / 55XH81xx / 55XH80xx

KE-75XH80xx / 65XH81xx / 65XH80xx / 55XH81xx / 55XH80xx

* V názvoch modelov označujú znaky „xx“ čísla alebo znaky špecifické pre jednotlivé modely.

Pre zákazníkov

Z dôvodov ochrany produktu a bezpečnosti spoločnosť Sony odporúča, aby inštaláciu televízneho prijímača vykonali predajcovia spoločnosti Sony alebo licencovaní dodávatelia. Nepokúšajte sa ho nainštalovať sami.

Pre predajcov a dodávateľov spoločnosti Sony

Počas inštalácie, pravidelnej údržby a kontroly tohto produktu venujte plnú pozornosť bezpečnosti.

Inštalácia tohto produktu vyžaduje adekvátne odborné znalosti. Obzvlášť je potrebné určiť, či je stena dostatočne pevná na to, aby udržala hmotnosť televízneho prijímača. Pripevnenie tohto produktu na stenu zverte predajcom alebo licencovaným dodávateľom spoločnosti Sony a počas inštalácie venujte náležitú pozornosť bezpečnosti. Spoločnosť Sony nezodpovedá za žiadne škody ani zranenia spôsobené nevhodnou manipuláciou alebo nesprávnou inštaláciou.

Pre bezpečnosť a správnu inštaláciu postupujte podľa návodu na obsluhu montážnej konzoly na stenu, sprievodcu nastavením televízneho prijímača a podľa pokynov v tomto návode.

Montážna konzola na stenu

Informácie o bezpečnosti

Ďakujeme vám za zakúpenie tohto produktu.

Pre zákazníkov

Montáž TV prijímača na stenu



VÝSTRAHA

INŠTALÁCIU MUSÍ VYKONAŤ ODBORNÍK

Inštaláciu tohto výrobku musí vykonať odborný montér, ktorý je vyškolený, aby dokázal stanoviť únosnosť steny, či unesie hmotnosť televízneho prijímača. Ak počas inštalácie nebude správne zaistený, televízny prijímač môže spadnúť a spôsobiť vážne poranenie. Spoločnosť Sony nie je zodpovedná za žiadnu škodu ani poranenie spôsobené nesprávnou manipuláciou alebo nesprávnou inštaláciou či nainštalovaním iného než uvedeného výrobku. Vaše zákonné práva (ak nejaké máte) nie sú dotknuté.

Pre predajcov produktov spoločnosti Sony

Montáž tohto produktu vyžaduje adekvátne odborné znalosti. V záujme zaistenia bezpečnosti pri montáži si dôkladne prečítajte tento návod na používanie. Spoločnosť Sony nezodpovedá za žiadne škody ani zranenia spôsobené nevhodnou manipuláciou alebo nesprávnou montážou. Po montáži odovzdajte tento návod zákazníkovi.

V tomto návode na používanie je znázornená správna manipulácia s produktom a dôležitá bezpečnostná pokyny, účelom ktorých je predísť nehodám. Je vašou zodpovednosťou prečítať si, dôkladne pochopiť a dodržiavať všetky pokyny uvedené v návode na použitie. Opomenutie môže mať za následok vážne osobné poranenie alebo poškodenie majetku a dôjde k skončeniu platnosti záruky. Návod uschovajte pre budúce použitie.

Produkt od spoločnosti Sony boli navrhnuté s dôrazom na bezpečnosť. Ak sa však produkt používa nesprávne, môže to mať za následok vážne zranenie následkom požiaru, zásahu elektrickým prúdom, prevrhnutia výrobku alebo jeho pádu. Dodržiavajte bezpečnostné pokyny, aby sa podobným nehodám predišlo.

UPOZORNENIE

Špecifikované produkty

Táto montážna konzola na stenu je určená na použitie so špecifikovanými TV prijímačmi. V prípade televízneho prijímača si pozrite jeho „Referenčná príručka“ a overte, či možno montážnu konzolu na stenu použiť.

Pre zákazníkov

VÝSTRAHA

V prípade nedodržania bezpečnostných pokynov môže dôjsť k vážnemu zraneniu alebo smrti následkom požiaru, zásahu elektrickým prúdom alebo prevrhnutia výrobku.

Montáž zverte licencovanému dodávateľovi a dbajte na to, aby sa v blízkosti inštalácie nezdržiavali deti.

Ak sa montážna konzola na stenu alebo TV prijímač nenamontuje správne, môže dôjsť k nasledujúcim nehodám. Montáž zverte licencovanému dodávateľovi.

- TV prijímač by mohol spadnúť a spôsobiť vážne zranenia, napríklad modriny alebo zlomeniny.
- Ak je stena, na ktorú sa inštaluje montážna konzola na stenu, nestabilná, nerovná alebo nie je v pravom uhle s podlahou, jednotka môže spadnúť a spôsobiť zranenie alebo škody na majetku. Stena musí uniesť hmotnosť rovnajúcu sa aspoň šestnásobnej hmotnosti televízneho prijímača. (Informácie o hmotnosti televízneho prijímača nájdete v jeho „Referenčná príručka“.)
- Ak nie je montážna konzola na stenu namontovaná dostatočne pevne, jednotka môže spadnúť a spôsobiť zranenie alebo škody na majetku.

Premiestňovanie alebo odmontovanie TV prijímača zverte licencovanému dodávateľovi.

Ak TV prijímač prenášajú alebo demontujú iné osoby ako licencovaný dodávateľ, TV prijímač môže spadnúť a spôsobiť zranenie alebo škody na majetku. Dbajte na to, aby televízny prijímač prenášali alebo demontovali dvaja alebo viacerí ľudia (traja alebo viacerí ľudia pri televíznom prijímači 75 palcov a viac).

Po namontovaní TV prijímača neodskrutkujte skrutky.

V opačnom prípade môže TV prijímač spadnúť a spôsobiť zranenie alebo škody na majetku.

Časti montážnej konzoly na stenu neupravujte.

V opačnom prípade môže montážna konzola na stenu spadnúť a spôsobiť zranenie alebo škody na majetku.

Okrem špecifikovaných produktov nemontujte žiadne iné zariadenia.

Táto montážna konzola na stenu je určená na použitie iba so špecifikovanými produktmi. Ak na ňu namontujete iné zariadenie než je špecifikované, môže spadnúť alebo sa rozbiť a spôsobiť zranenie alebo škody na majetku.

Montážnu konzolu nezaťažujte ničím okrem TV prijímača. TV prijímačom netraste doľava, doprava, nahor ani nadol.

V opačnom prípade môže TV prijímač spadnúť a spôsobiť zranenie alebo škody na majetku.

O TV prijímač sa neopierajte a nevešajte sa naň.

O TV prijímač sa neopierajte a nevešajte sa naň, pretože by mohol na vás spadnúť a spôsobiť vážne zranenie.

SK

UPOZORNENIE

Ak nebudete dodržiavať nasledujúce bezpečnostné pokyny, môže dôjsť k zraneniu alebo škodám na majetku.

- Pri manipulácii s montážnou konzolou na stenu alebo s televíznym prijímačom dávajte pozor, aby ste si nepriveli prsty.
- Televízny prijímač otáčajte opatrne a dávajte pozor, aby ste nezasiahli okolostojace osoby.
- Nepoužité diely uschovajte na bezpečnom mieste, aby ste mohli v budúcnosti použiť. Uschovajte ich mimo dosahu detí.

Počas čistenia alebo údržby netlačte na produkt nadmernou silou.

Netlačte nadmernou silou na hornú časť TV prijímača. V opačnom prípade môže TV prijímač spadnúť a spôsobiť zranenie alebo škody na majetku.

Upozornenie

- Ak používate TV prijímač namontovaný na montážnu konzolu na stenu dlhodobo, v závislosti od materiálu steny sa môže zmeniť farba steny za alebo nad TV prijímačom alebo sa môže odlepiť tapeta.
- Po demontáži montážnej konzoly na stenu ostanú v stene otvory na skrutky.
- Montážnu konzolu na stenu nemontujte na miesta, kde bude vystavená mechanickým vibráciám.

Montáž montážnej konzoly na stenu

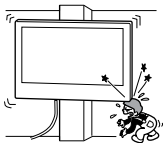
Pre predajcov produktov spoločnosti Sony

VÝSTRAHA

Nasledujúce pokyny sú určené len pre predajcov produktov spoločnosti Sony. Dôkladne si prečítajte bezpečnostné pokyny uvedené vyššie a počas montáže, údržby a kontroly tohto produktu venujte mimoriadnu pozornosť bezpečnosti.

Montážnu konzolu na stenu neinštalujte na povrch steny, kde budú rohy alebo strany TV prijímača vyčnievať mimo povrchu steny.

Montážnu konzolu na stenu neinštalujte na povrch steny, napríklad na pilier, kde budú rohy alebo strany TV prijímača vyčnievať mimo povrchu steny. Ak osoba alebo predmet narazí do vyčnievajúceho rohu alebo strany TV prijímača, môže dôjsť k zraneniu alebo škodám na majetku.

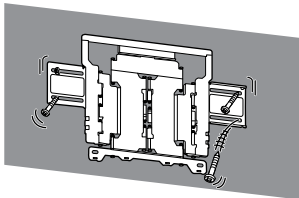


TV prijímač nemontujte nad ani pod klimatizáciu.

Ak je TV prijímač dlhodobo vystavený unikajúcej vode alebo prúdu vzduchu z klimatizácie, môže to mať za následok požiar, zásah elektrickým prúdom alebo poruchu TV prijímača.

Montážnu konzolu na stenu namontujte bezpečne na stenu podľa nasledujúcich pokynov v tomto návode.

Ak sa ktorákoľvek zo skrutiek uvoľní alebo vypadne, montážna konzola na stenu môže spadnúť a spôsobiť zranenie alebo škody na majetku. Dbajte na to, aby ste použili vhodné skrutky zodpovedajúce materiálu steny a jednotku nainštalovali bezpečne pomocou štyroch skrutky s priemerom 8 mm (alebo ekvivalentných).



Používajte len dodané skrutky a upevňovacie diely riadne podľa pokynov uvedených v tomto návode. Ak použijete náhradné diely, TV prijímač môže spadnúť a spôsobiť niekomu zranenie alebo sa môže TV prijímač poškodiť.

Konzolu správne zostavte podľa postupu uvedeného v tomto návode.

Ak sa ktorákoľvek zo skrutiek uvoľní alebo vypadne, TV prijímač môže spadnúť a spôsobiť niekomu zranenie alebo sa môže TV prijímač poškodiť.

Skrutky pevne utiahnite na vyznačenom mieste.

Ak tak neurobíte, TV prijímač môže spadnúť a spôsobiť niekomu zranenie alebo sa môže TV prijímač poškodiť.

Počas montáže nevystavujte TV prijímač nárazom.

TV prijímač vystavený nárazu môže spadnúť alebo prasknúť. To môže spôsobiť zranenie.

TV prijímač montujte na kolmú a rovnú stenu.

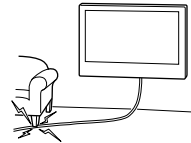
Ak tak neurobíte, TV prijímač môže spadnúť a spôsobiť zranenie.

Po správnej montáži TV prijímača pevne zaistite káble.

Ak sa do káblov zamotajú ľudia alebo predmety, môže dôjsť k zraneniu alebo poškodeniu TV prijímača.

Zabráňte priškripnutiu napájacieho alebo prepojovacieho kábla.

Keď je napájací alebo prepojovací kábel priškripnutý medzi jednotkou a stenou alebo nasilu ohnutý alebo skrútený, môžu sa odhaliť vnútorné vodiče, čo môže spôsobiť skrat alebo prerušenie napájania. Mohlo by dôjsť k požiaru alebo zásahu elektrickým prúdom.



Skrutky potrebné na upevnenie montážnej konzoly k stene sa nedodávajú.

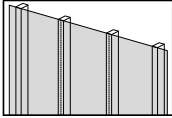
Na montáž montážnej konzoly na stenu použite skrutky vhodné pre materiál a konštrukciu steny.

Skôr než začnete

Najprv skontrolujte typ steny, na ktorú chcete nainštalovať televízny prijímač.

Z čoho je vaša stena skonštruovaná?

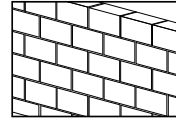
Sadrokartónová stena so stĺpikmi



Upozornenie

- Maximálna hrúbka sadrokartónovej steny: 16 mm.
- Rozmer vnútorných drevených stĺpikov musí byť aspoň 51 x 102 mm v prípade bežných alebo 38 x 89 mm v prípade úzkych.
- Medzi upínacími prvkami musí byť minimálna horizontálna vzdialenosť 406 mm.

Betónový panel a stena z betónových kvádrov



Upozornenie

- Montážnu konzolu na stenu nainštalujte priamo na stenu z betónového panela.
- Hrúbka steny z betónového panela musí byť aspoň 203 mm.
- Hrúbka každého betónového kvádra musí byť aspoň 203 x 203 x 406 mm.

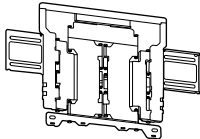

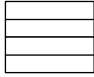

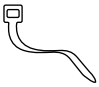
Príprava na montáž

- Pred inštaláciou si pripravte referenčnú príručku a sprievodcu nastavením televízneho prijímača.
- Stanovte montážnu polohu TV prijímača.
- Pripravte si štyri skrutky s priemerom 8 mm a štyri vhodné podložky (nedodávajú sa). Vyberte skrutky vhodné pre materiál steny.

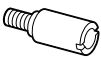
Kontrola dielov

Položky dodávané s montážnou konzolou na stenu SU-WL850

- Skontrolujte, či boli dodané všetky diely.



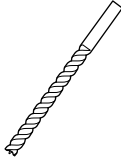
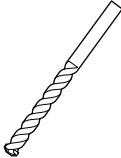
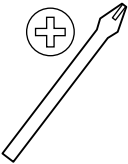



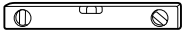


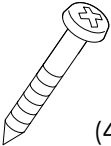
Ⓐ WM1 (1) 	Ⓑ WM2 (1) 
Ⓒ WM3 (4) 	Ⓓ M6 (4) 
Ⓔ WT1 (6) 	

Položky dodávané s TV prijímačom

VS Nadstavec pre montáž na stenu (4) 
--



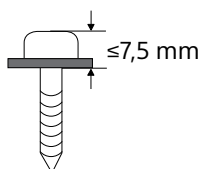
Potrebné náradie

*1 	  5,5 mm  10 mm 		
*2 		 1,5 N·m {15 kgf·cm}	
*3  (4)	*2  (4)	*3  8 mm x 60 mm (4)	

*1 Len v prípade sadrokartónovej steny so stĺpkami

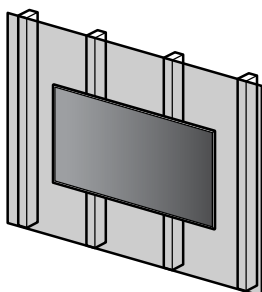
*2 Len v prípade betónového panela a steny z betónových kvádrov

*3 Pri výbere skrutiek a podložiek dávajte pozor

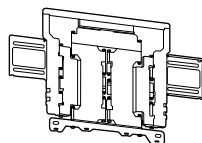


A Montáž televízneho prijímača na sadrokartónovú stenu so stĺpkami

Sadrokartónová stena so stĺpkami



WM1

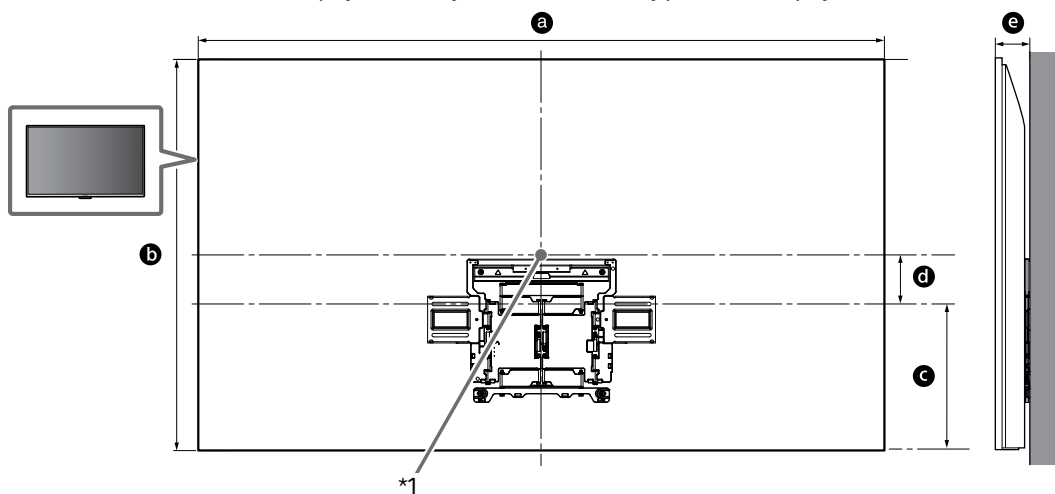


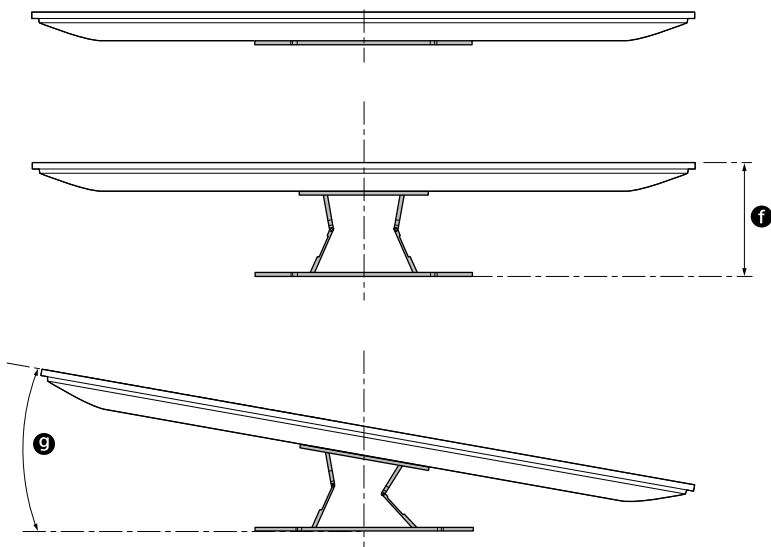
Inštalácia montážnej konzoly na stenu na stenu

1 Určte miesto montáže.

Stena musí byť dostatočne priestranná a mať nosnosť minimálne štvornásobku hmotnosti televízneho prijímača.

Pozrite si nasledujúcu tabuľku, kde nájdete informácie o montáži TV prijímača na stenu. Informácie o hmotnosti TV prijímača nájdete v referenčnej príručke TV prijímača.





(mm)

Názov modelu	a	b	c	d	e	f*2	g*2 (°)
KD-75XH80xx	1 686	969	364	123	86	288	15
KE-75XH80xx							
KD-65XH81xx	1 462	841	365	59	83	287	18
KE-65XH81xx							
KD-65XH80xx							
KE-65XH80xx							
KD-55XH81xx	1 243	718	365	3	83	287	20
KE-55XH81xx							
KD-55XH80xx							
KE-55XH80xx							

Tabuľka inštalačných rozmerov TV prijímača (mm)

Čísla v tabuľke sa môžu v závislosti od inštalácie mierne líšiť.

*1 (Stredový bod obrazovky)

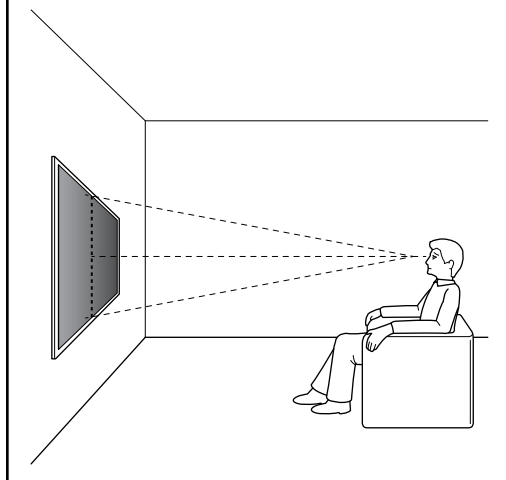
*2 (Pribl.)

Poznámka

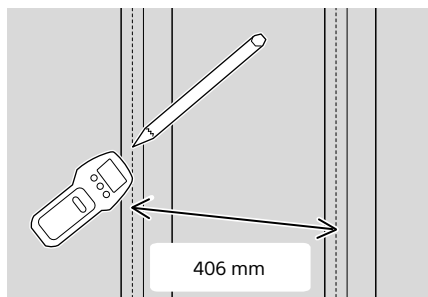
- Keď je televízny prijímač nainštalovaný na stene, horný okraj televízneho prijímača je mierne naklonený dopredu.

Poznámka

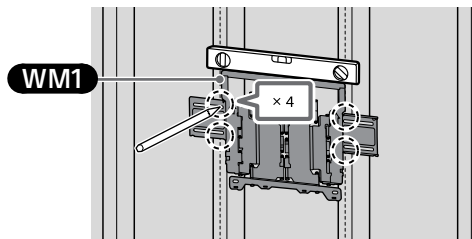
- Odporúčame vám skontrolovať polohu televízneho prijímača v prostredí, kde ho budete pozerať.



2



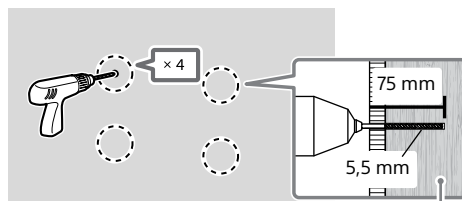
- 3 Priložte **WM1** na stenu a urobte štyri značky na miestach stĺpikov.



Poznámka

- Pomocou vodováhy skontrolujte vodorovnosť **WM1**.

- 4 Na vyznačených miestach vyvrtajte horné vodiace otvory.

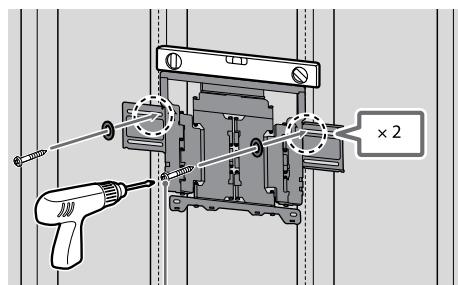


Prichytka alebo výstuž

Poznámka

- Vodiace otvory treba vyvrtáť do hĺbky 75 mm; použite na to vrták s priemerom 5,5 mm.

- 5 **WM1** nainštalujte na stenu; použite na to vhodné skrutky (nedodávajú sa) a podložky (nedodávajú sa).



8 mm x 60 mm

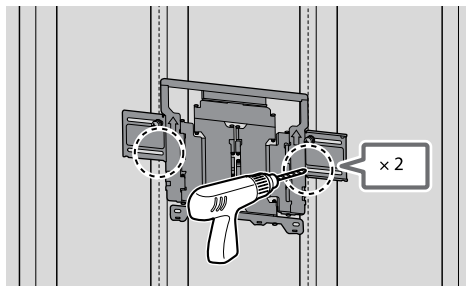
Poznámka

- Pomocou vodováhy skontrolujte vodorovnosť **WM1**.

Bezpečnostné upozornenie

- Drevenú skrutku 8 mm x 60 mm neťahajte nadmerne. Nesprávne utiahnutie by mohlo znížiť pridržavaciu schopnosť drevenej skrutky 8 mm x 60 mm.

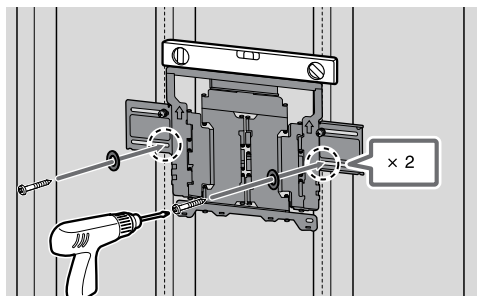
- 6 Na vyznačených miestach vyvrtajte spodné vodiace otvory. (Pokyny na vrtanie nájdete v kroku 4.)



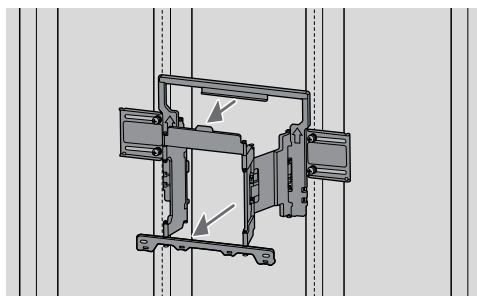
- 7 Do otvorov naskrutkujte vhodné skrutky a podložky.

Poznámka

- Pomocou vodováhy skontrolujte vodorovnosť montážnej konzoly na stenu.

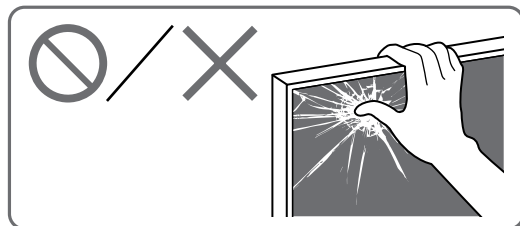


- 8 Rameno montážnej konzoly úplne vytiahnite.

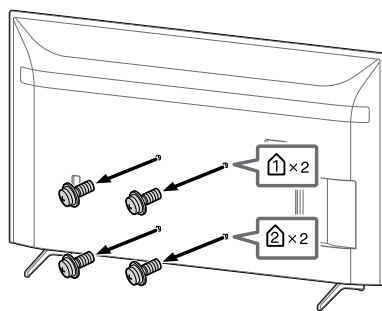


Príprava na montáž TV prijímača

Pred inštaláciou TV na stenu podľa Sprievodca nastavením nezabudnite pripevniť stolový stojan.



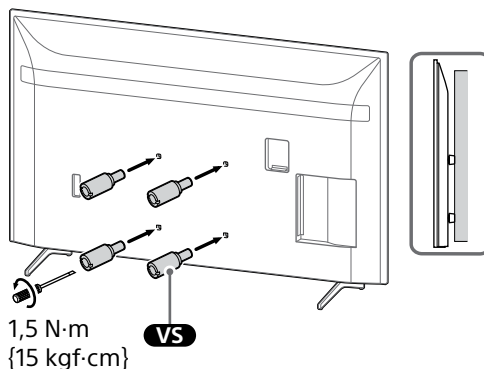
- 1 Odskrutkujte skrutky zo zadnej časti TV prijímača.



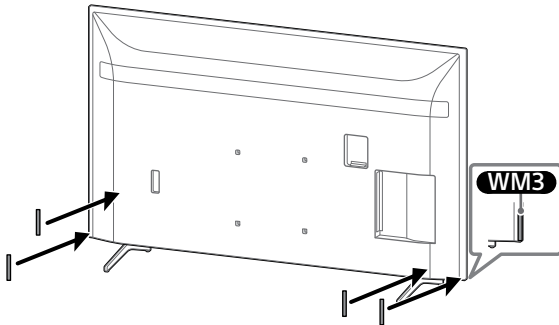
Poznámka

- Odstránené skrutky a nepoužité časti odložte na bezpečnom mieste mimo dosahu detí.

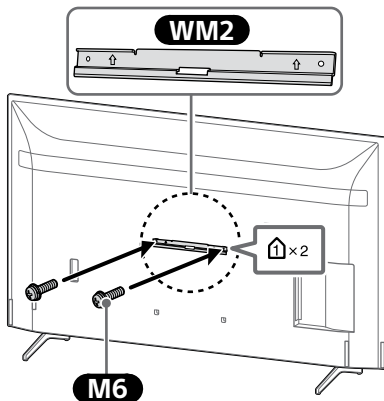
- 2 Pripevnite nástavec pre montáž na stenu (dodaný s televíznym prijímačom) na zadnú časť televízneho prijímača (aby bol rovnobežne so stenou).



3 Namontujte **WM3**.

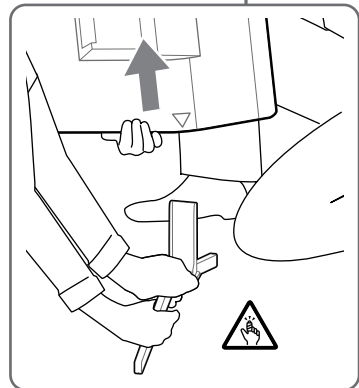
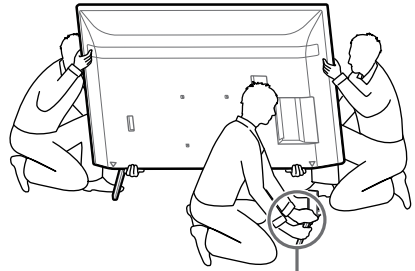


4 Pomocou **WM2** namontujte televízny prijímač na **M6**.



5 Odmontujte stolový stojan od TV prijímača.

- Stolový stojan odmontujte tak, že najskôr odmontujete jednu stranu, potom druhú. Pevne držte stolový stojan bezpečne oboma rukami, kým ďalšie osoby zdvíhajú televízny prijímač.

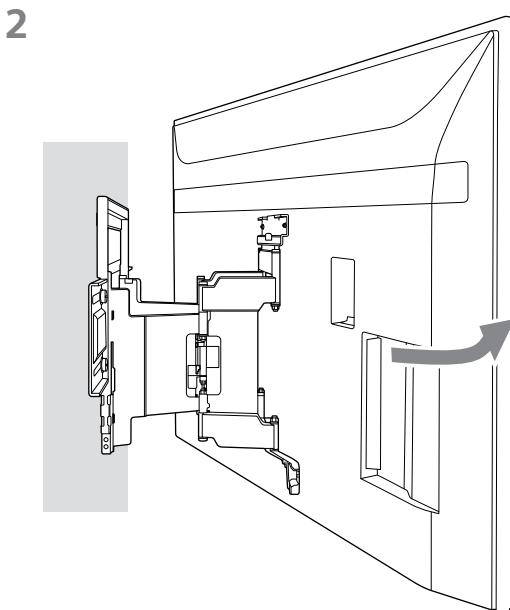
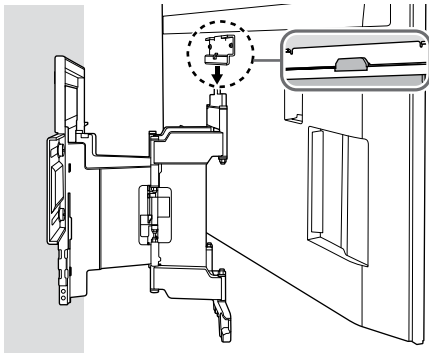
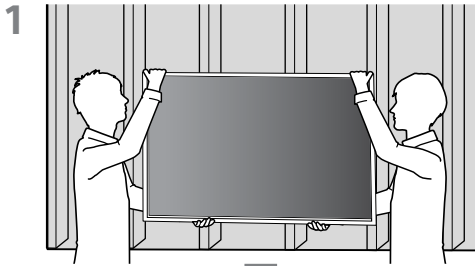
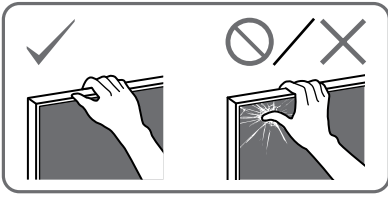


- Zopakujte predchádzajúci krok a odmontujte druhú stranu stolového stojana.

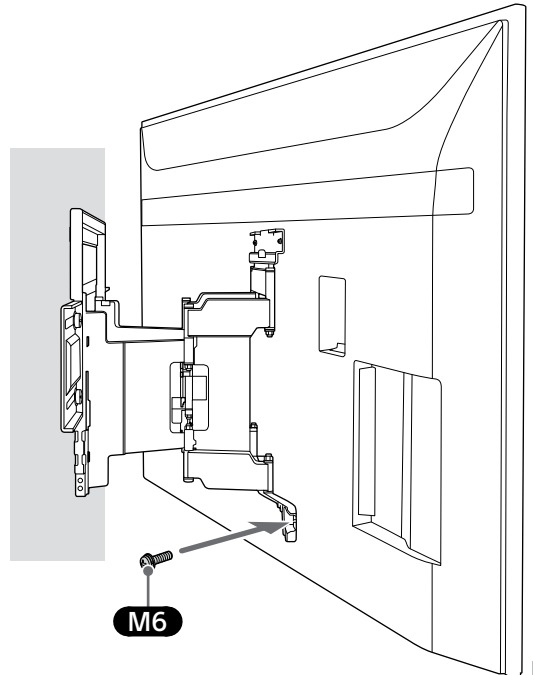
Poznámka

- Na odpojenie stolového stojana sú potrební traja alebo viacerí ľudia.
- Dbajte na to, aby ste pri odpájaní stolového stojana od televízneho prijímača nepoužívali nadmernú silu, pretože by mohlo dôjsť k pádu televízneho prijímača, čo by mohlo spôsobiť zranenie osôb alebo poškodenie televízneho prijímača.
- Pri manipulácii so stolovým stojanom buďte opatrní, aby aby nedošlo k poškodeniu televízneho prijímača.
- Buďte opatrní, keď dvíhate televízny prijímač pri odpájaní stolového stojana – stolový stojan sa môže prevrhnúť a spôsobiť zranenie.
- Pri demontáži stolového stojana z televízneho prijímača buďte opatrní, aby nedošlo k jeho prevrhnutiu a poškodeniu povrchu, na ktorom je televízny prijímač postavený.

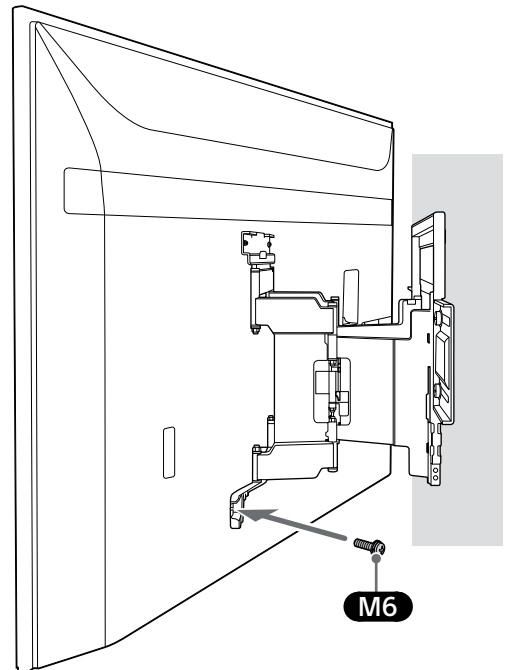
Montáž TV prijímača na stenu



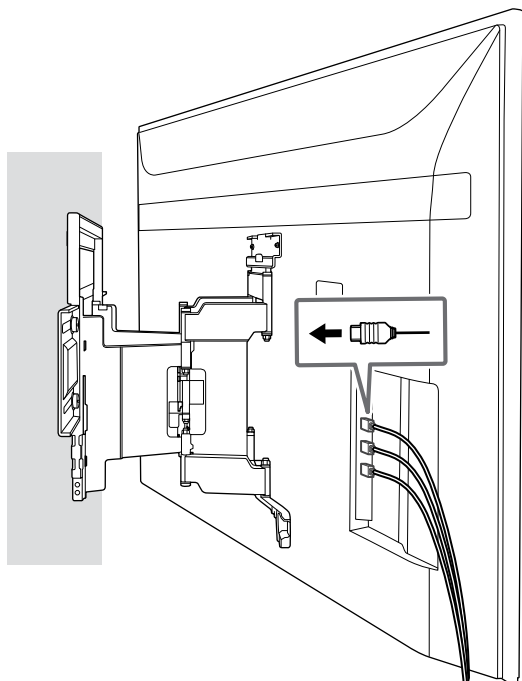
- 3 Priskrutkujte ľavú a pravú stranu montážnej konzoly na stenu.



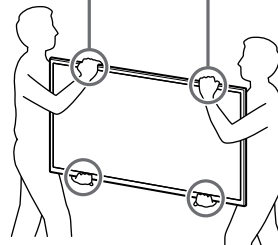
SK



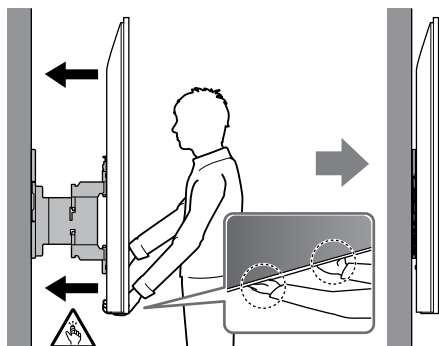
4

**VÝSTRAHA**

- Dbajte na to, aby televízny prijímač pri prenášaní držali dvaja alebo viacerí ľudia (traja alebo viacerí ľudia pri televíznom prijímači 75 palcov a viac).



5 Pri pohybovaní s televíznym prijímačom ho pevne držte za spodnú časť.



Kontrola dokončenej montáže

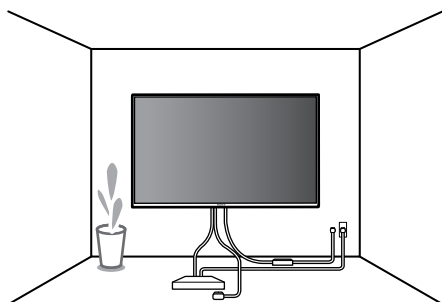
Skontrolujte nasledujúce:

- Káble nie sú skrútené a priškripané.

VÝSTRAHA

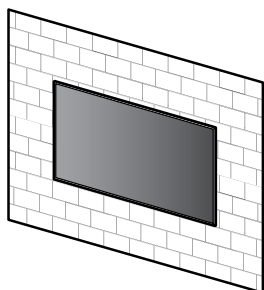
- Nesprávne umiestnenie napájacieho kábla môže zapríčiniť požiar alebo zásah elektrickým prúdom spôsobené skratom. Z dôvodu bezpečnosti nezabudnite skontrolovať kompletnosť montáže.

6

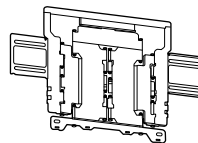


B Namontovanie montážnej konzoly na stenu na betónový panel alebo stenu z betónových kvádrov

Betónový panel a stena z betónových kvádrov



WM1



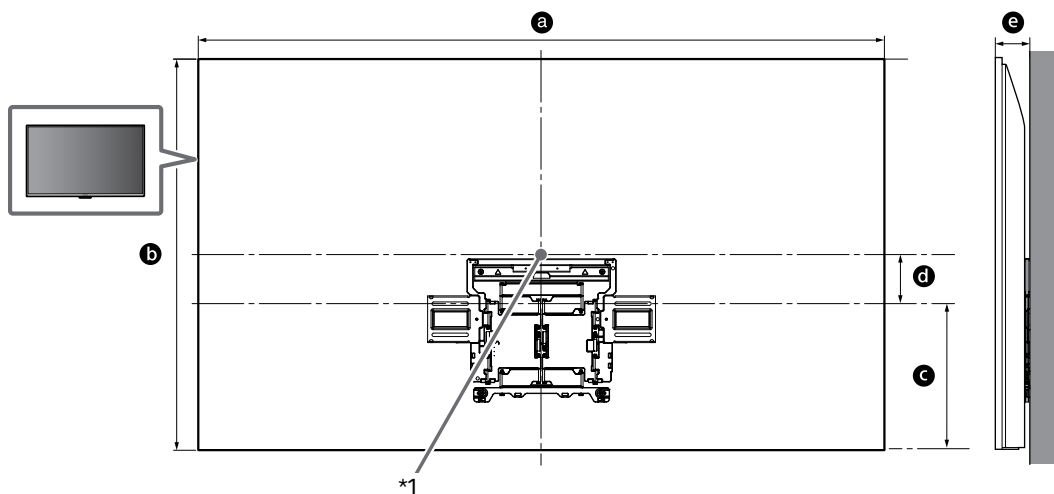
Inštalácia montážnej konzoly na stenu na stenu

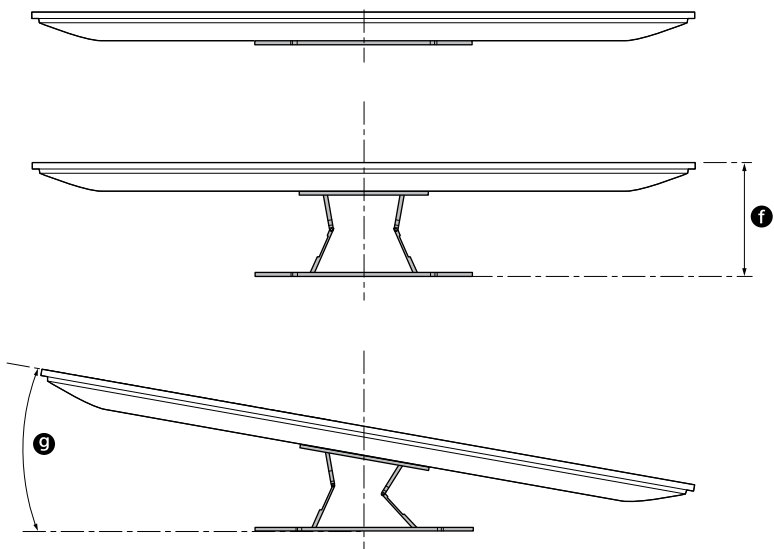
1 Určte miesto montáže.

Stena musí byť dostatočne priestranná a mať nosnosť minimálne štvornásobku hmotnosti televízneho prijímača.

Pozrite si nasledujúcu tabuľku, kde nájdete informácie o montáži TV prijímača na stenu. Informácie o hmotnosti TV prijímača nájdete v referenčnej príručke TV prijímača.

SK





(mm)

Názov modelu	a	b	c	d	e	f*2	g*2 (°)
KD-75XH80xx	1 686	969	364	123	86	288	15
KE-75XH80xx							
KD-65XH81xx	1 462	841	365	59	83	287	18
KE-65XH81xx							
KD-65XH80xx							
KE-65XH80xx							
KD-55XH81xx	1 243	718	365	3	83	287	20
KE-55XH81xx							
KD-55XH80xx							
KE-55XH80xx							

Tabuľka inštalačných rozmerov TV prijímača (mm)

Čísla v tabuľke sa môžu v závislosti od inštalácie mierne líšiť.

*1 (Stredový bod obrazovky)

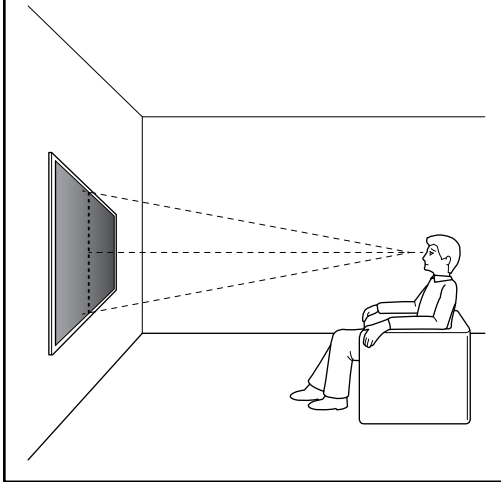
*2 (Pribl.)

Poznámka

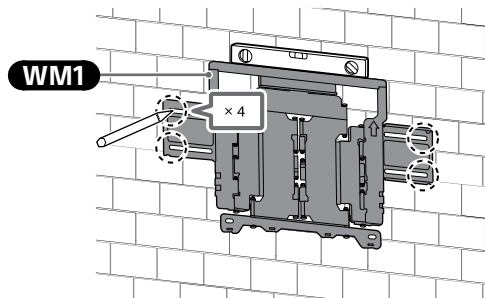
- Keď je televízny prijímač nainštalovaný na stene, horný okraj televízneho prijímača je mierne naklonený dopredu.

Poznámka

- Odporúčame vám skontrolovať polohu televízneho prijímača v prostredí, kde ho budete pozeráť.



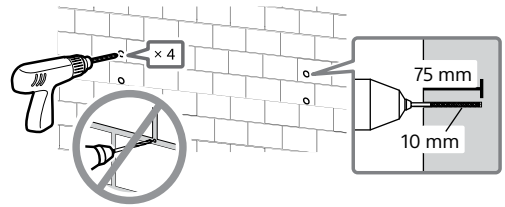
- 2 Priložte **WM1** na stenu a urobte štyri značky.



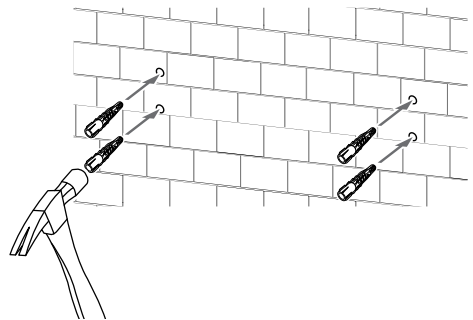
Poznámka

- Pomocou vodováhy skontrolujte vodorovnosť **WM1**.

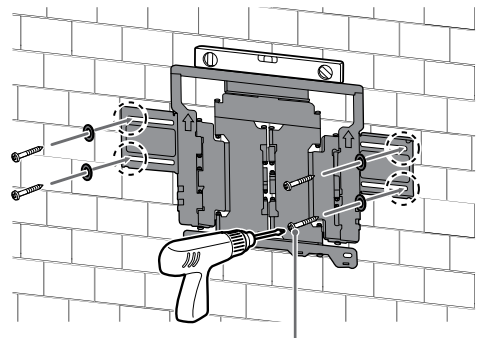
- 3 Do značiek vyvrtajte otvory.



- 4



- 5 **WM1** nainštalujte na stenu; použite na to vhodné skrutky (nedodávajú sa) a podložky (nedodávajú sa).



8 mm x 60 mm

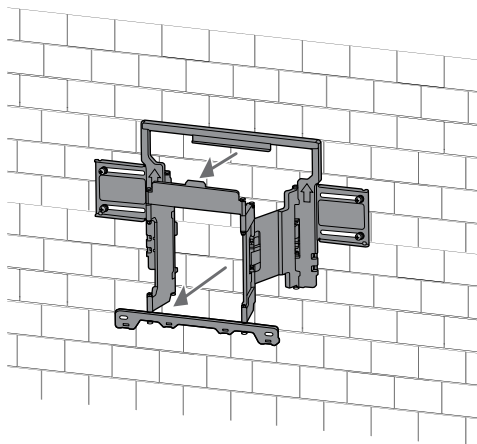
Poznámka

- Pomocou vodováhy skontrolujte vodorovnosť montážnej konzoly na stenu.

Bezpečnostné upozornenie

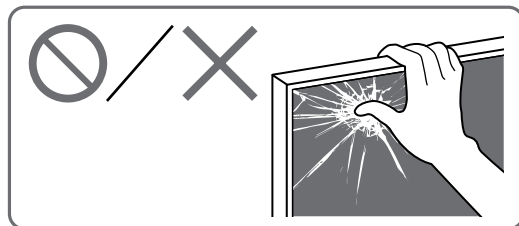
- Drevenú skrutku 8 mm x 60 mm neutahujte nadmerne. Nesprávne utiahnutie by mohlo znížiť pridržiavaciu schopnosť drevenej skrutky 8 mm x 60 mm.

- 6 Rameno montážnej konzoly úplne vyťahnite.

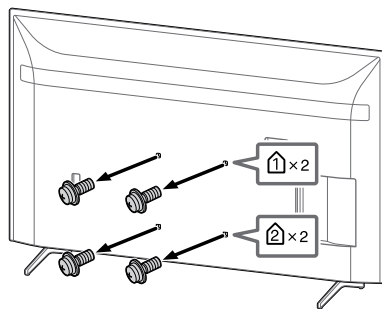


Príprava na montáž TV prijímača

Pred inštaláciou TV na stenu podľa Sprievodca nastavením nezabudnite pripevniť stolový stojan.



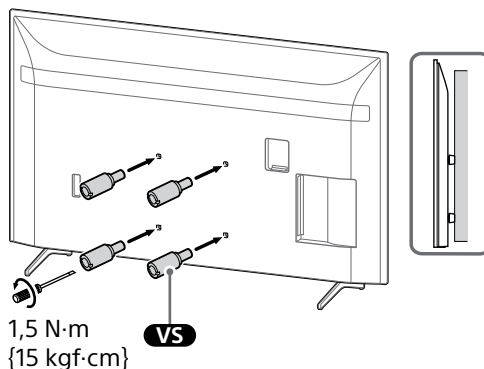
- 1 Odskrutkujte skrutky zo zadnej časti TV prijímača.



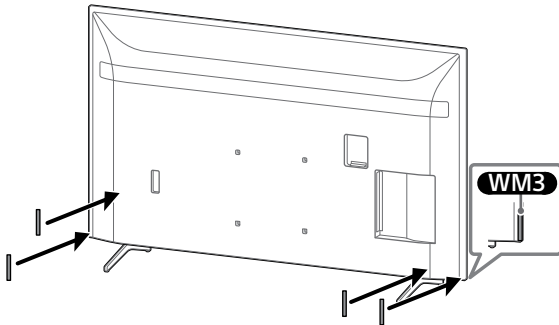
Poznámka

- Odstránené skrutky a nepoužité časti odložte na bezpečnom mieste mimo dosahu detí.

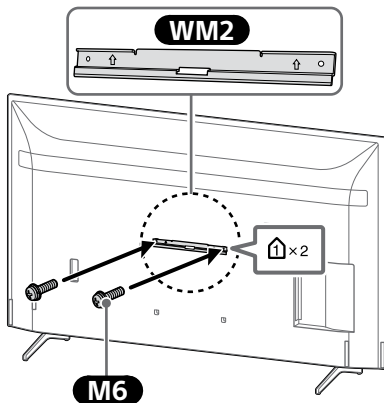
- 2 Pripevnite nástavec pre montáž na stenu (dodaný s televíznym prijímačom) na zadnú časť televízneho prijímača (aby bol rovnobežne so stenou).



3 Namontujte WM3.

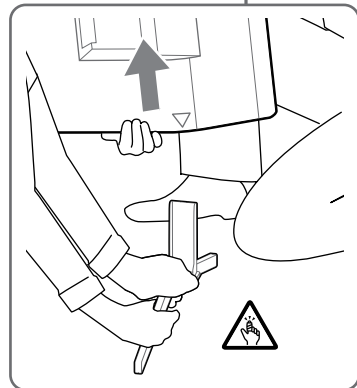
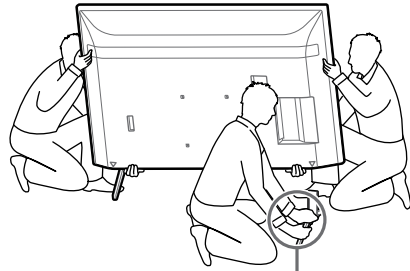


4 Pomocou WM2 namontujte televízny prijímač na M6.



5 Odmontujte stolový stojan od TV prijímača.

- Stolový stojan odmontujte tak, že najskôr odmontujete jednu stranu, potom druhú. Pevne držte stolový stojan bezpečne oboma rukami, kým ďalšie osoby zdvíhajú televízny prijímač.



- Zopakujte predchádzajúci krok a odmontujte druhú stranu stolového stojana.

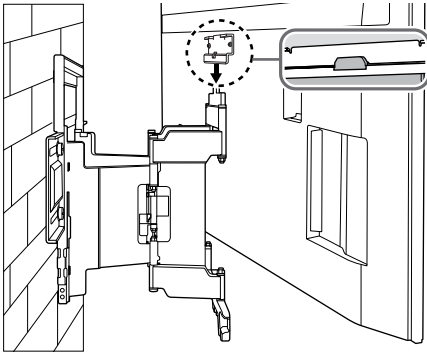
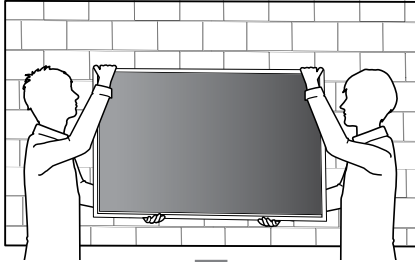
Poznámka

- Na odpojenie stolového stojana sú potrební traja alebo viacerí ľudia.
- Dbajte na to, aby ste pri odpájaní stolového stojana od televízneho prijímača nepoužívali nadmernú silu, pretože by mohlo dôjsť k pádu televízneho prijímača, čo by mohlo spôsobiť zranenie osôb alebo poškodenie televízneho prijímača.
- Pri manipulácii so stolovým stojanom buďte opatrní, aby aby nedošlo k poškodeniu televízneho prijímača.
- Buďte opatrní, keď dvíhate televízny prijímač pri odpájaní stolového stojana – stolový stojan sa môže prevrhnúť a spôsobiť zranenie.
- Pri demontáži stolového stojana z televízneho prijímača buďte opatrní, aby nedošlo k jeho prevrhnutiu a poškodeniu povrchu, na ktorom je televízny prijímač postavený.

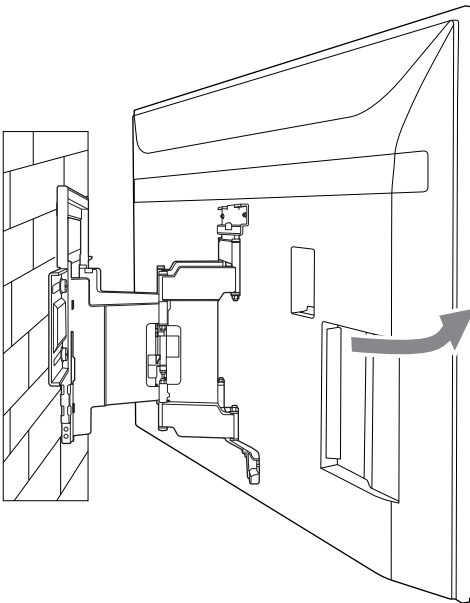
Montáž TV prijímača na stenu



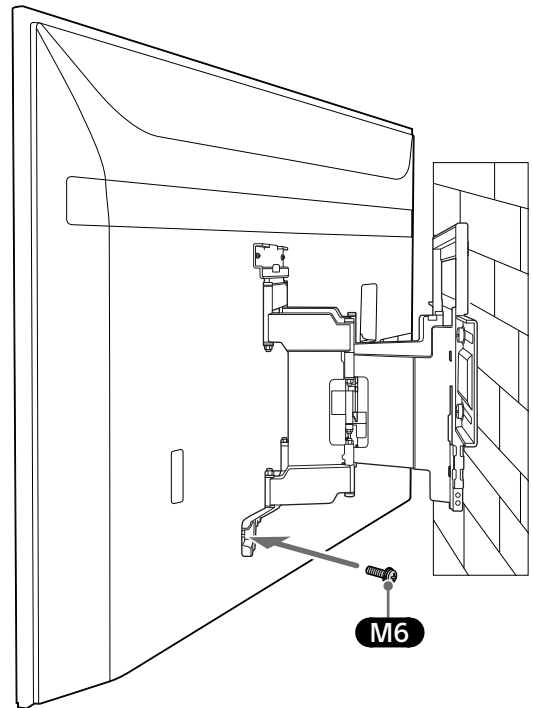
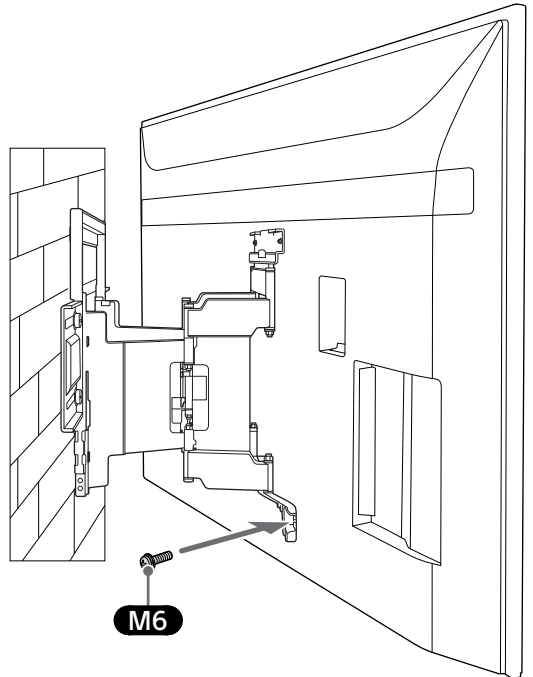
1



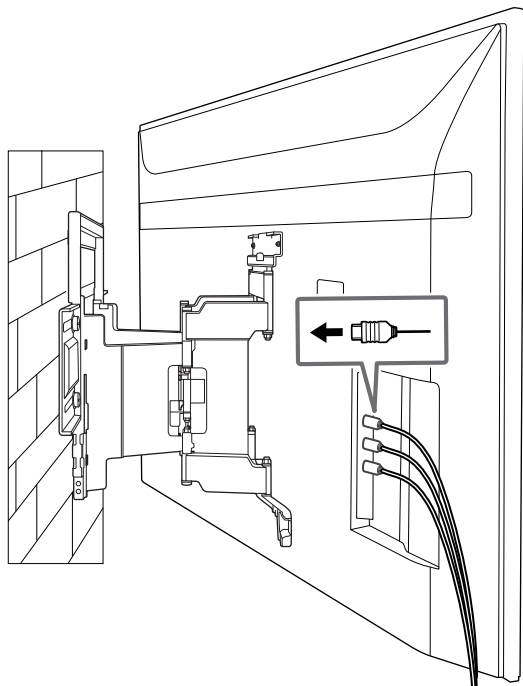
2



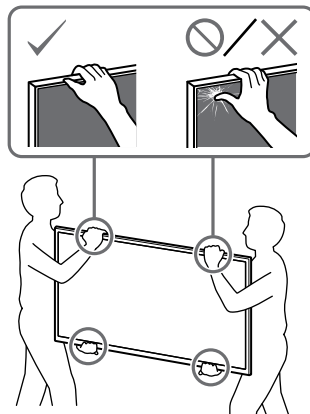
3 Priskrutkujte ľavú a pravú stranu montážnej konzoly na stenu.



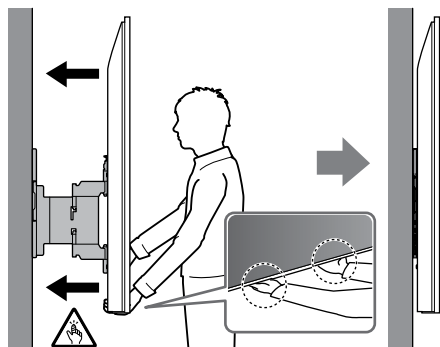
4

**VÝSTRAHA**

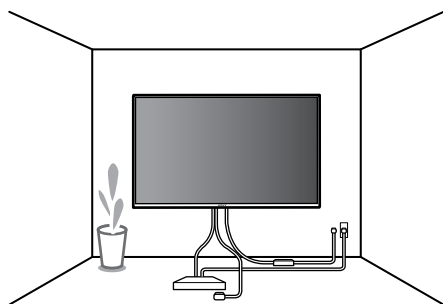
- Dbajte na to, aby televízny prijímač pri prenášaní držali dvaja alebo viacerí ľudia (traja alebo viacerí ľudia pri televíznom prijímači 75 palcov a viac).



5 Pri pohybovaní s televíznym prijímačom ho pevne držte za spodnú časť.



6



SK

Kontrola dokončenej montáže

Skontrolujte nasledujúce:

- Káble nie sú skrútené a priškripnuté.

VÝSTRAHA

- Nesprávne umiestnenie napájacieho kábla môže zapríčiniť požiar alebo zásah elektrickým prúdom spôsobené skratom. Z dôvodu bezpečnosti nezabudnite skontrolovať kompletnosť montáže.

Ďalšie informácie

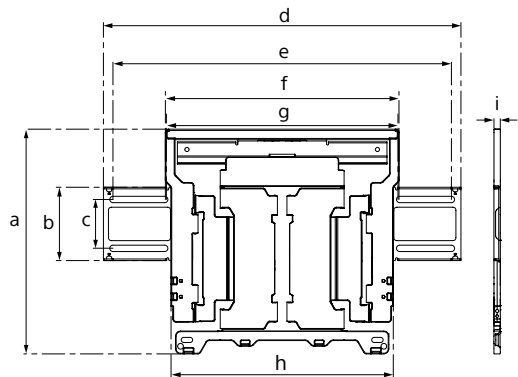
Pri demontáži TV prijímača zopakujte postup montáže v opačnom poradí.

VÝSTRAHA

- Dbajte na to, aby televízny prijímač pri odpájaní držali dvaja alebo viacerí ľudia (traja alebo viacerí ľudia pri televíznom prijímači 75 palcov a viac).

Technické údaje

WM1



Rozmery: (pribl.) [mm]

a : 354
b : 116
c : 77
d : 563
e : 533
f : 370
g : 368
h : 350
i : 11

Hmotnosť (len podstavec): (pribl.) [kg]

3,0

Dizajn a technické údaje sa môžu zmeniť bez upozornenia.

Informații de instalare pentru utilizarea dispozitivului de montare pe perete Sony (SU-WL850)

Modele acceptate*:

KD-75XH80xx / 65XH81xx / 65XH80xx / 55XH81xx / 55XH80xx

KE-75XH80xx / 65XH81xx / 65XH80xx / 55XH81xx / 55XH80xx

* Pentru numele modelului actual, „xx” indică numărul și/sau caracterele specifice pentru fiecare model.

Pentru clienți

Pentru protecția produsului și din motive de siguranță, Sony recomandă insistent ca instalarea televizorului dumneavoastră să fie efectuată de distribuitori sau contractori licențiați Sony. Nu încercați să îl instalați personal.

Pentru distribuitorii și contractorii Sony

Acordați atenție totală siguranței în timpul instalării, întreținerii periodice și examinării acestui produs.

Este necesară o experiență suficientă pentru instalarea acestui produs, mai ales pentru a determina rezistența peretelui pentru susținerea greutatei televizorului. Încredințați fixarea pe perete a acestui produs distribuitorilor sau contractorilor licențiați Sony și acordați o atenție adecvată siguranței în timpul instalării. Compania Sony nu este răspunzătoare pentru daune materiale sau vătămări corporale cauzate de manipularea inadecvată sau de instalarea necorespunzătoare.

Pentru instalarea corectă și în siguranță, respectați instrucțiunile de utilizare a dispozitivului de montare pe perete, ghidul de configurare a televizorului și instrucțiunile din prezentul manual.

Dispozitiv de montare pe perete

Despre siguranță

Vă mulțumim pentru achiziționarea acestui produs.

Pentru clienți

Montarea televizorului pe perete



AVERTISMENT

INSTALARE PROFESIONALĂ NECESARĂ

Acest produs trebuie instalat exclusiv de către un instalator profesionist, instruit să identifice rezistența peretelui care va trebui să susțină greutatea TV. Dacă nu este fixat corespunzător la instalare, TV-ul ar putea cădea și ar putea provoca vătămări grave. Sony nu își asumă răspunderea pentru daunele sau vătămările cauzate de manipularea necorespunzătoare sau instalarea greșită sau instalarea produselor altele decât cel specificat. Drepturile dvs. prevăzute de lege (dacă există) nu sunt afectate.

Pentru distribuitorii Sony

Pentru instalarea acestui produs este necesar un nivel suficient de experiență. Citiți cu atenție acest manual de instrucțiuni, pentru a efectua operațiile de instalare în siguranță. Sony nu este responsabilă pentru niciun fel de daune materiale sau vătămări corporale determinate de manipularea eronată sau de instalarea inadecvată. Înmănați acest manual clientului după instalare.

Acest manual de instrucțiuni prezintă modul de manipulare corectă a produsului și măsurile importante de precauție necesare pentru prevenirea accidentelor. Aveți responsabilitatea să citiți, să înțelegeți clar și să respectați toate instrucțiunile din acest manual de instrucțiuni. În caz contrar, pot rezulta vătămări corporale sau daune materiale grave ce ar putea conduce la anularea garanției. Păstrați acest manual disponibil pentru consultări ulterioare.

Produsele Sony sunt proiectate ținând cont de siguranță. Totuși, dacă produsele sunt utilizate incorect, pot avea ca rezultat producerea de grave vătămări corporale prin incendiu, electrocutare, răsturnarea sau căderea produsului. Respectați măsurile de precauție pentru siguranță, în vederea evitării unor asemenea accidente.

ATENȚIE

Produse specificate

Acest dispozitiv de montare pe perete este proiectat în vederea utilizării cu televizoarele specificate. Pentru TV-uri consultați „Ghid de referință” al acestora pentru a verifica dacă dispozitivul de montare pe perete poate fi utilizat.

Pentru clienți

AVERTISMENT

Dacă următoarele măsuri de precauție nu sunt respectate, pot rezulta grave vătămări corporale sau deces prin incendiu, electrocutare sau căderea produsului.

Subcontractați instalarea produsului unor contractori licențiați și țineți copiii mici la distanță în timpul instalării.

Dacă dispozitivul de montare pe perete sau televizorul nu este corect instalat, se pot produce următoarele accidente. Aveți grijă ca instalarea să fie efectuată de către contractori licențiați.

- Televizorul poate cădea și poate cauza grave vătămări corporale, precum contuzii sau o fractură.
- Dacă peretele pe care este instalat dispozitivul de montare este instabil, nu este plan sau nu este perpendicular pe podea, aparatul poate cădea și poate cauza vătămări corporale sau daune materiale. Peretele trebuie să poată susține o greutate de cel puțin șase ori mai mare decât greutatea TV-ului. (Pentru informații privind greutatea TV-ului, consultați „Ghid de referință” al acestuia.)
- Dacă instalarea dispozitivului de montare pe perete nu este suficient de rezistentă, aparatul poate cădea și poate cauza vătămări corporale sau daune materiale.

Contractați operațiile de montare sau demontare a televizorului unor contractori licențiați.

Dacă persoane în afara unor contractori licențiați transportă sau demontează televizorul, acesta poate cădea și poate cauza vătămări corporale sau daune materiale. Pentru transportarea sau demontarea televizorului este nevoie de două sau mai multe persoane (trei sau mai multe persoane pentru televizoarele cu diagonală de 75 de inci sau mai mare).

Nu demontați șuruburile etc. după montarea televizorului.

În caz contrar, televizorul poate cădea și poate cauza vătămări corporale sau daune materiale.

Nu aduceți modificări componentelor dispozitivului de montare pe perete.

În caz contrar, dispozitivul de montare pe perete poate cădea și poate cauza vătămări corporale sau daune materiale.

Nu montați alte echipamente în afara produsului specificat.

Acest dispozitiv de montare pe perete este proiectat numai în vederea utilizării cu produsul specificat. Dacă montați alt echipament decât cel specificat, acesta poate cădea sau se poate sparge și poate cauza vătămări corporale sau daune materiale.

Nu aplicați altă sarcină în afara televizorului pe dispozitivul de montare pe perete. Nu zdruncinați televizorul stânga/dreapta, sus/jos.

În caz contrar, televizorul poate cădea și poate cauza vătămări corporale sau daune materiale.

Nu vă rezemați pe și nu vă agățați de televizor.

Nu vă rezemați pe și nu vă agățați de televizor, deoarece acesta poate cădea și poate cauza grave vătămări corporale.

ATENȚIE

Dacă următoarele măsuri de precauție nu sunt respectate, se pot produce vătămări corporale sau daune materiale.

- Aveți grijă să nu vă prindeți degetele la manipularea dispozitivului de montare pe perete sau la rotirea TV-ului.
- În timp ce pivotați setul TV, manevrați cu atenție și aveți grijă să nu loviți persoanele din apropiere.
- Asigurați-vă că depozitați componentele neutilizate în siguranță, pentru utilizări viitoare. Nu le lăsați la îndemâna copiilor.

Nu manipulați produsul cu forță excesivă în timpul curățării sau al întreținerii.

Nu aplicați o forță excesivă în partea de sus a televizorului. În caz contrar, televizorul poate cădea și poate cauza vătămări corporale sau daune materiale.

Măsuri de precauție

- Dacă utilizați timp îndelungat televizorul instalat pe dispozitivul de montare pe perete, peretele din spatele sau de deasupra televizorului se poate decolora, iar tapetul se poate desprinde, în funcție de materialul peretelui.
- Dacă dispozitivul de montare pe perete este demontat după instalarea sa pe perete, în perete vor rămâne orificiile pentru șuruburi.
- Nu utilizați dispozitivul de montare pe perete într-o locație unde este supus la vibrații mecanice.

Instalarea dispozitivului de montare pe perete

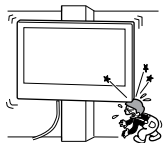
Pentru distribuitorii Sony

AVERTISMENT

Următoarele instrucțiuni sunt destinate numai distribuitorilor Sony. Citiți măsurile de precauție descrise mai sus și acordați o atenție specială siguranței în timpul instalării, al întreținerii și verificării acestui produs.

Nu instalați dispozitivul de montare pe perete pe suprafețe ale peretelui unde colțurile sau părțile laterale ale televizorului ies în afară față de suprafața peretelui.

Nu instalați dispozitivul de montare pe perete pe suprafețe ale peretelui precum un stâlp, unde colțurile sau părțile laterale ale televizorului ies în afară față de suprafața peretelui. Dacă se întâmplă ca o persoană sau un obiect să lovească partea sau colțul ieșit în afară al televizorului, acest lucru poate cauza vătămări corporale sau daune materiale.

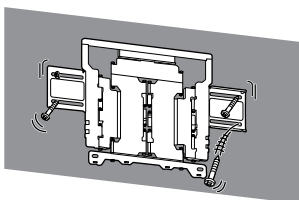


Nu instalați televizorul deasupra unei instalații de aer condiționat sau dedesubtul acesteia.

Dacă televizorul este expus timp îndelungat la scurgeri de apă sau la curenți de aer proveniți de la o instalație de aer condiționat, se pot produce incendii, șocuri electrice sau defecțiuni ale televizorului.

Instalați dispozitivul de montare pe perete în condiții de siguranță, urmând indicațiile din acest manual de instrucțiuni.

Dacă oricare dintre șuruburi sunt slăbite sau cad, dispozitivul de montare pe perete poate cădea și poate cauza vătămări corporale sau daune materiale. Utilizați șuruburi corespunzătoare pentru materialul peretelui și instalați unitatea cu rezistență suficientă, utilizând patru șuruburi cu diametru de 8 mm (sau echivalent).



Utilizați corespunzător șuruburile și piesele de montaj furnizate, urmând instrucțiunile din acest manual de instrucțiuni. Dacă utilizați elemente înlocuitoare, televizorul poate cădea și poate cauza vătămări corporale sau deteriorarea aparatului.

Asamblați dispozitivul de montare pe perete în mod corespunzător, urmând procedura explicată în acest manual de instrucțiuni.

Dacă oricare dintre șuruburi sunt slăbite sau cad, televizorul poate cădea și poate cauza vătămări corporale sau deteriorarea aparatului.

Strângeți adecvat șuruburile în poziția indicată.

În caz contrar, televizorul poate cădea și poate cauza vătămări corporale sau deteriorarea aparatului.

Nu supuneți televizorul la șocuri pe durata instalării.

Dacă televizorul este expus la șocuri, poate cădea sau se poate sparge. Aceasta poate cauza vătămări corporale.

Instalați televizorul pe un perete plan și perpendicular pe podea.

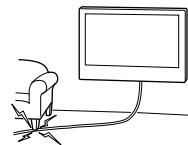
În caz contrar, televizorul poate cădea și poate cauza vătămări corporale.

După instalarea corectă a televizorului, fixați cablurile în mod corespunzător.

Dacă oameni sau obiecte se încurcă în cabluri, aceasta poate duce la vătămări corporale sau la deteriorarea televizorului.

Nu permiteți ciupirea/perforarea cablului de alimentare în curent alternativ și nici a cablului de conexiune.

În cazul în care cablul de alimentare în curent alternativ sau cablul de conexiune sunt ciupite/perforate între aparat și perete sau sunt îndoite sau răsucite forțat, conductorii interni pot deveni expuși și pot cauza un scurtcircuit sau o întrerupere a alimentării cu energie electrică. Aceasta poate determina incendii sau un șoc electric.



Șuruburile necesare pentru fixarea dispozitivului de montare pe perete nu sunt furnizate.

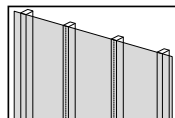
Utilizați șuruburile corespunzătoare pentru materialul și structura peretelui la fixarea dispozitivului de montare pe perete.

Înainte de a începe

Mai întâi, verificați tipul peretelui pe care veți instala televizorul.

Din ce este realizat peretele?

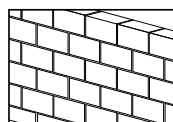
Gips-carton cu știfturi



Măsuri de precauție

- Grosimea maximă a peretelui de gips-carton: 16 mm.
- Asigurați-vă că dimensiunea știfturilor de lemn interioare este cel puțin 51 x 102 mm (normal) sau de cel puțin 38 x 89 mm (nominal).
- Mențineți un spațiu minim de 406 mm pe orizontală între dispozitivele de fixare.

O singură bucată de beton sau mai multe blocuri de beton



Măsuri de precauție

- Montați dispozitivul de montare pe perete direct pe peretele dintr-o singură bucată de beton.
- Asigurați-vă că grosimea peretelui dintr-o singură bucată de beton este de cel puțin 203 mm.
- Asigurați-vă că dimensiunea fiecărui bloc de beton este cel puțin 203 x 203 x 406 mm.

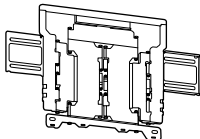

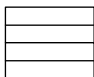

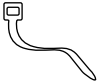
Pregătirea pentru instalare

- Țineți la îndemână ghidul de referință și ghidul de configurare a televizorului înainte de a începe instalarea.
- Confirmați poziția de instalare a televizorului.
- Pregătiți patru șuruburi cu diametrul de 8 mm și patru șaibe corespunzătoare (neincluse).
Selectați șuruburi corespunzătoare pentru materialul peretelui.

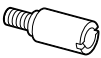
Verificarea pieselor

Furnizat cu SU-WL850

- Verificați dacă sunt incluse toate piesele.



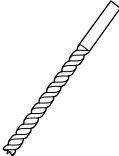
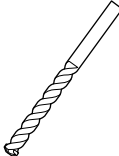
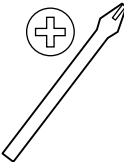






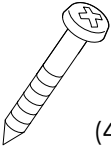
A WM1 (1) 	B WM2 (1) 
C WM3 (4) 	D M6 (4) 
E WT1 (6) 	

Furnizat cu televizorul

VS Element de fixare a dispozitivului de montare pe perete (4) 
--



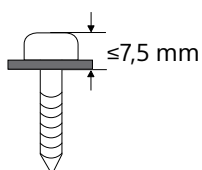
Unelte necesare

*1 	  5,5 mm	 10 mm	
*2 		 1,5 N·m {15 kgf·cm}	
*3  (4)	*2  (4)	*3  8 mm x 60 mm (4)	

*1 Doar pentru pereți din gips-carton cu știfturi

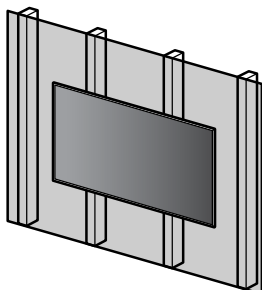
*2 Doar pentru pereți dintr-o singură bucată de beton sau din mai multe blocuri de beton

*3 Aveți grijă atunci când alegeți șuruburile și șaibele

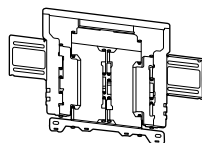


A Atașarea televizorului la peretele de gips-carton cu știfturi

Gips-carton cu știfturi



WM1

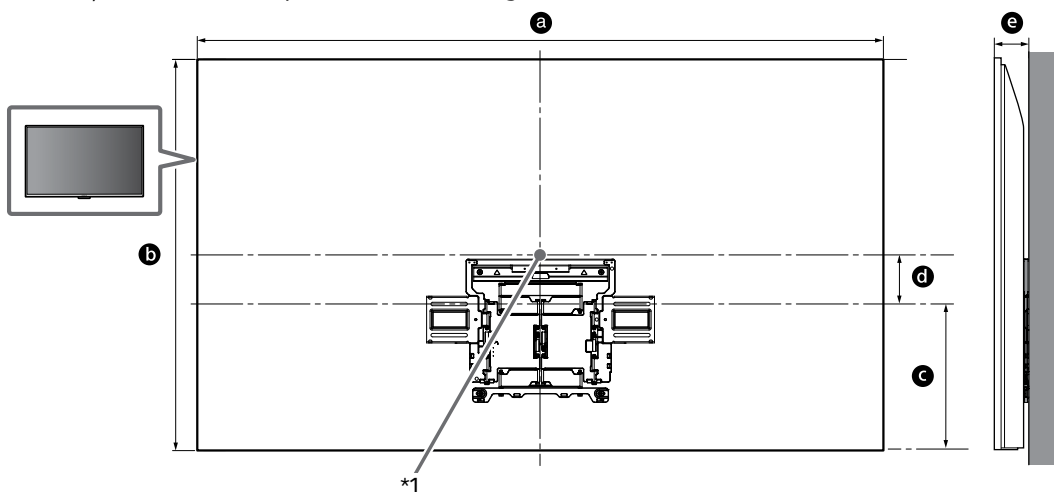


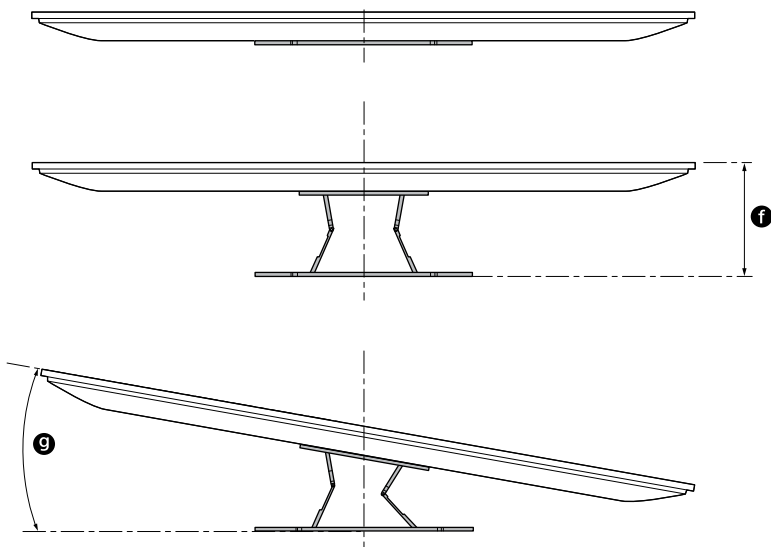
Instalarea pe perete a Dispozitivului de montare pe perete

1 Stabiliți locația de instalare.

Asigurați-vă că peretele dispune de spațiu suficient pentru televizor și că poate susține o greutate de cel puțin patru ori mai mare decât cea a televizorului.

Consultați tabelul următor pentru instalarea televizorului pe perete. Consultați ghidul de referință al televizorului pentru a determina greutatea acestuia.





(mm)

Numele modelului	a	b	c	d	e	f ^{*2}	g ^{*2} (°)
KD-75XH80xx	1.686	969	364	123	86	288	15
KE-75XH80xx							
KD-65XH81xx	1.462	841	365	59	83	287	18
KE-65XH81xx							
KD-65XH80xx							
KE-65XH80xx	1.243	718	365	3	83	287	20
KD-55XH81xx							
KE-55XH81xx							
KD-55XH80xx							
KE-55XH80xx							

Tabel cu dimensiunile de instalare ale televizorului (mm)

Este posibil ca valorile din tabel să fie ușor diferite, în funcție de instalare.

*1 (Punctul central al ecranului)

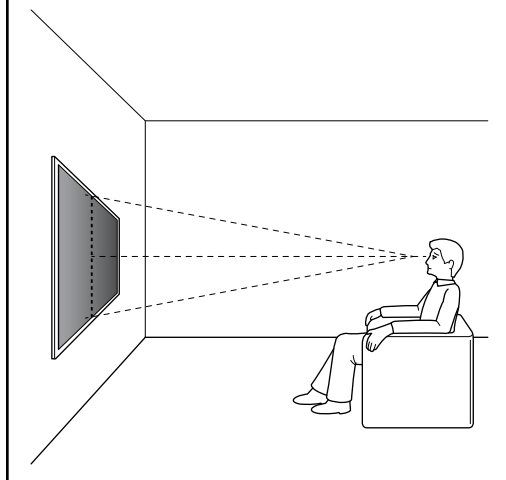
*2 (Aprox.)

Notă

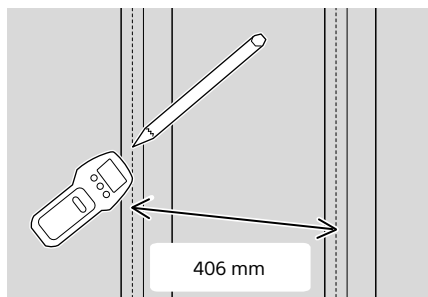
- Când televizorul este instalat pe perete, partea superioară a acestuia se înclină ușor înainte.

Notă

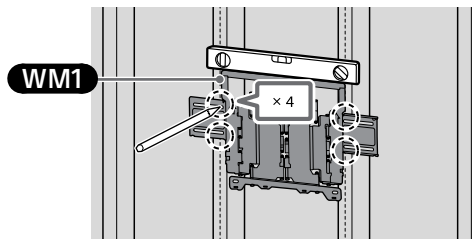
- Vă recomandăm să verificați poziția TV-ului în mediul de vizualizare.



2



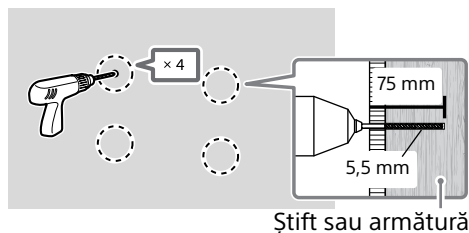
3 Aliniați **WM1** cu peretele și realizați patru marcaje aliniate cu știfturile.



Notă

- Folosiți o nivelă pentru a verifica dacă **WM1** este drept.

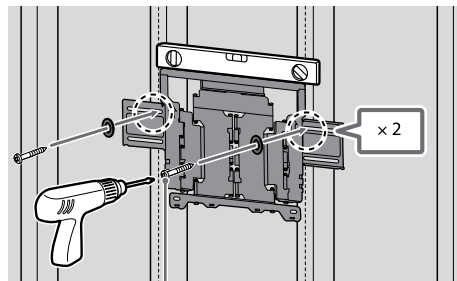
4 Dați găurile pilot în partea de sus, respectând marcajele.



Notă

- Găurile pilot trebuie date la o adâncime de 75 mm, prin utilizarea unui bit de găurire cu diametrul de 5,5 mm.

5 Instalați **WM1** pe perete folosind șuruburi corespunzătoare (neincluse) și șaibe corespunzătoare (neincluse).



8 mm × 60 mm

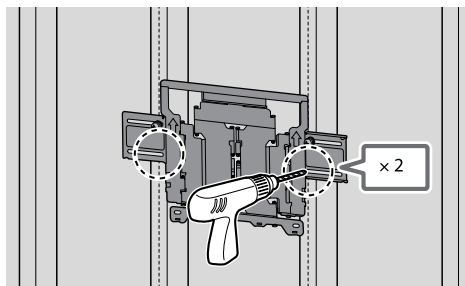
Notă

- Folosiți o nivelă pentru a verifica dacă **WM1** este drept.

Măsură de precauție

- Nu strângeți prea puternic șurubul din lemn de 8 mm × 60 mm. Strângerea necorespunzătoare ar putea reduce puterea de prindere a șurubului din lemn de 8 mm × 60 mm.

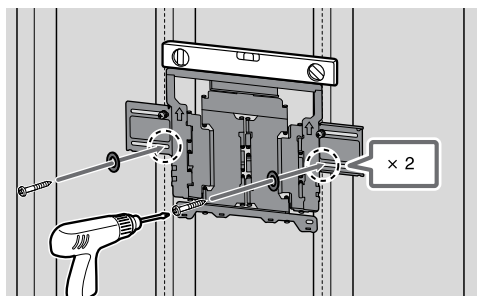
- 6 Dați găurile pilot în partea de jos, respectând marcajele. (Consultați pasul 4 pentru instrucțiuni legate de găurire.)



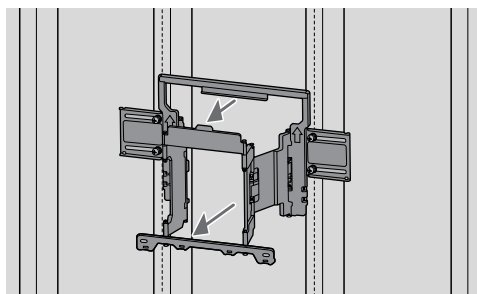
- 7 Potriveți șuruburile și șaibele corespunzătoare în găuri.

Notă

- Folosiți o nivelă pentru a verifica dacă Dispozitivul de montare pe perete este drept.

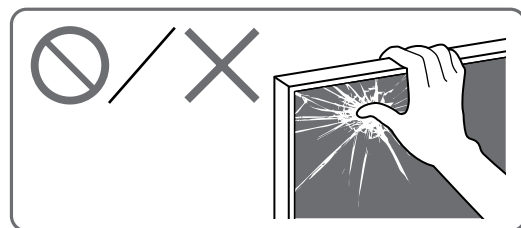


- 8 Trageți în afară brațul suportului, până la capăt.

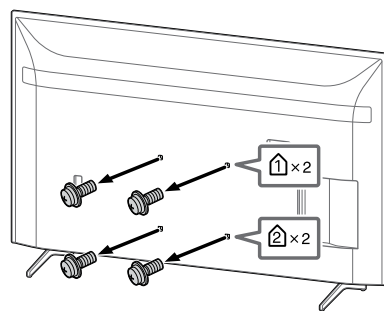


Pregătirea instalării televizorului

Asigurați-vă că atașați suportul de masă înainte de instalarea TV-ului pe perete, consultând Ghidul de configurare.



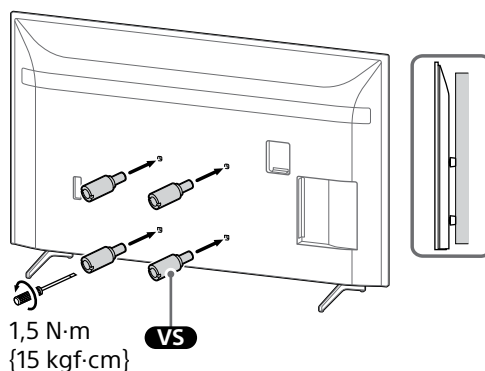
- 1 Demontați șuruburile din partea din spate a televizorului.



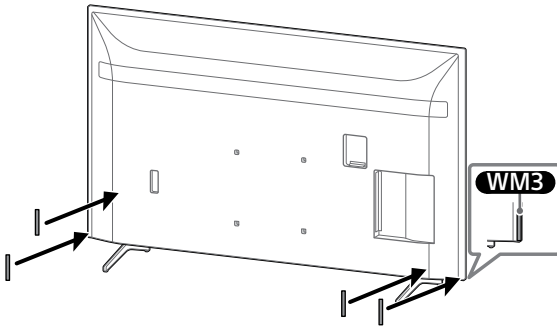
Notă

- Depozitați șuruburile demontate și componentele neutilizate într-un loc sigur, fără a le lăsa la îndemâna copiilor.

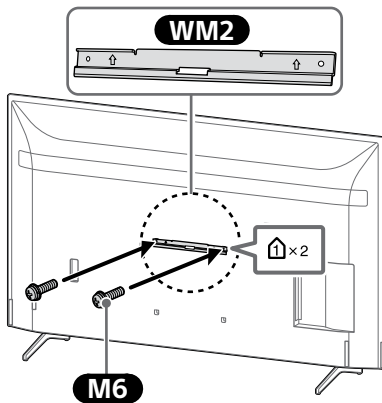
- 2 Prindeți elementul de fixare a dispozitivului de montare pe perete (inclus cu televizorul) pe partea din spate a televizorului (pentru a-l fixa paralel cu peretele).



3 Fixați WM3.

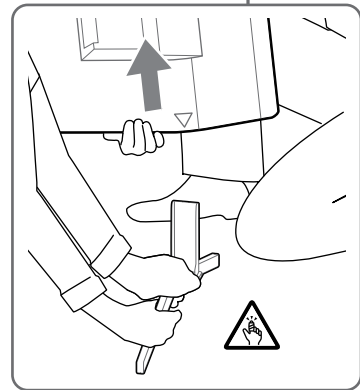
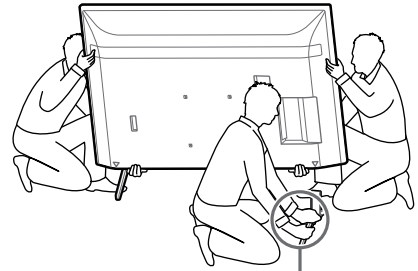


4 Atașați WM2 la televizor folosind M6.



5 Demontați suportul de masă de la televizor.

- Scoateți pe rând câte o parte laterală a suportului de masă. Țineți bine suportul de masă cu ambele mâini în timp ce persoana sau persoanele care vă ajută ridică televizorul.

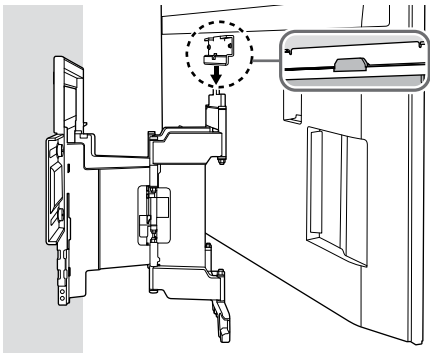
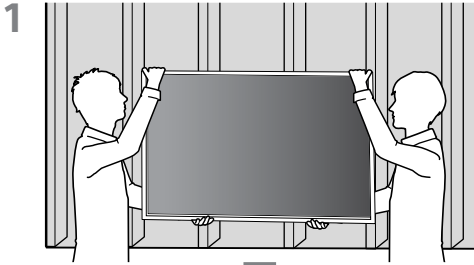


- Repetați pasul anterior și scoateți cealaltă parte laterală a suportului de masă.

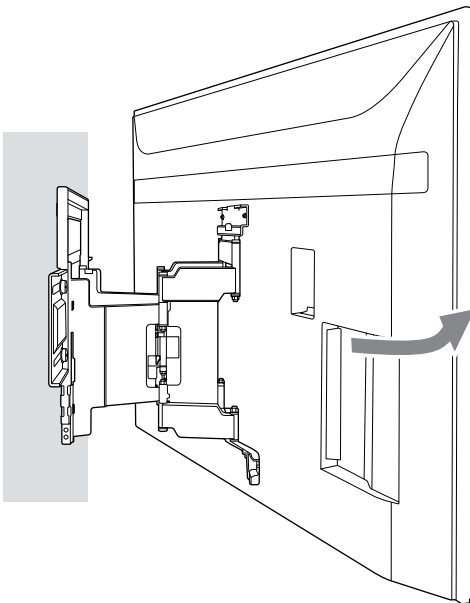
Notă

- Trei sau mai multe persoane sunt necesare pentru a detașa suportul de masă.
- Aveți grijă să nu utilizați forță excesivă în timp ce detașați suportul de masă din televizor, deoarece poate cauza căderea televizorului, rezultând în vătămări corporale sau deteriorarea televizorului.
- Aveți grijă atunci când manipulați suportul de masă pentru a preveni deteriorarea televizorului.
- Ridicați cu grijă televizorul, pentru că suportul de masă este desprins și se poate răsturna, provocând vătămări corporale.
- Demontați cu grijă suportul de masă de la televizor, pentru a evita căderea acestuia și deteriorarea suprafeței pe care este așezat televizorul.

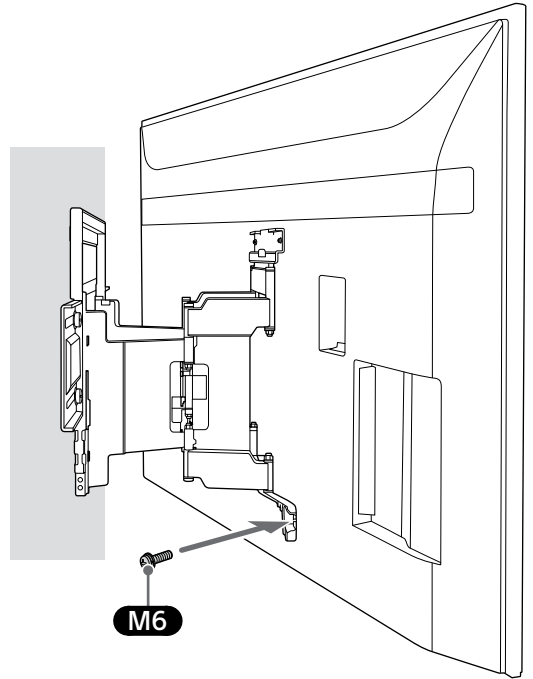
Instalarea televizorului pe perete



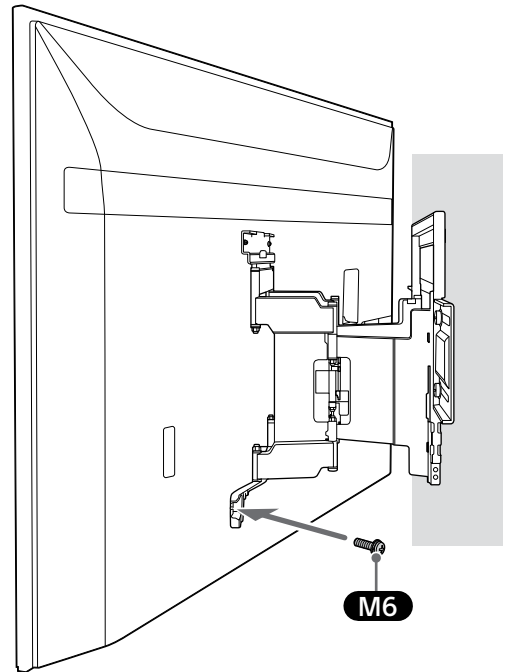
2



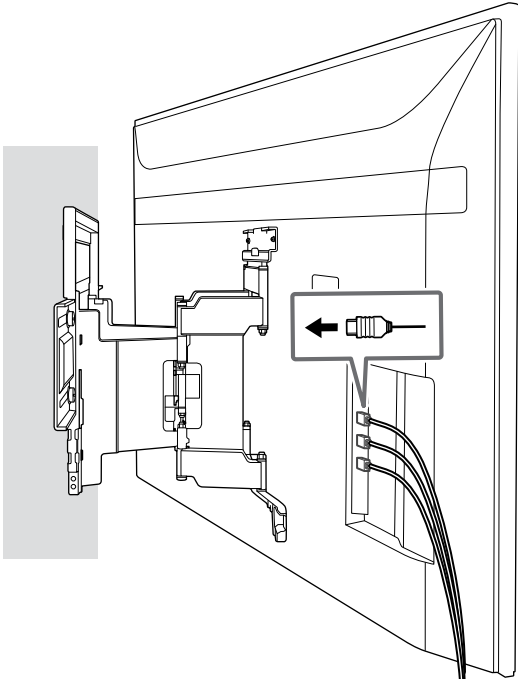
3 Înșurubați părțile din stânga și din dreapta ale dispozitivului de montare pe perete.



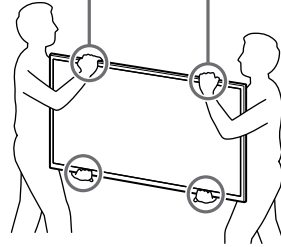
RO



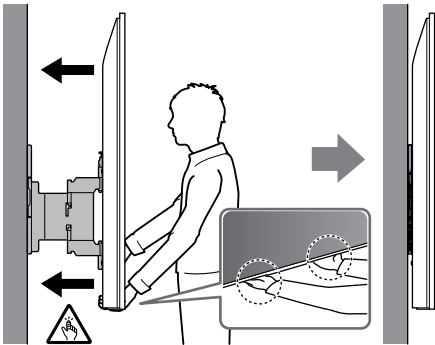
4

**AVERTISMENT**

- Pentru a transporta televizorul, acesta trebuie ținut de două sau mai multe persoane (trei sau mai multe persoane pentru televizoarele cu diagonală de 75 de inci sau mai mare).



5 La deplasarea TV-ului, țineți-l bine din partea inferioară.



Confirmarea finalizării instalării

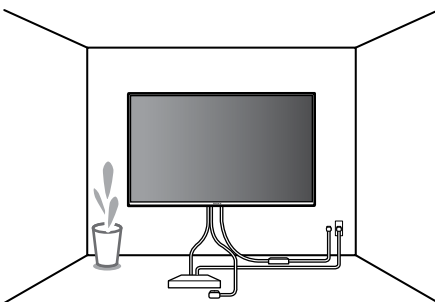
Verificați următoarele aspecte.

- Firul și cablul nu sunt răsucite sau ciupite/perforate.

AVERTISMENT

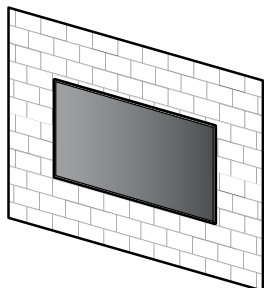
- Amplasarea incorectă a cablului de alimentare în curent alternativ etc. poate cauza incendiu sau șocuri electrice prin intermediul unui scurtcircuit. Din motive de siguranță, verificați finalizarea instalării.

6

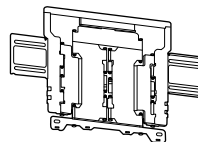


B Atașarea Dispozitivului de montare pe perete la peretele dintr-o singură bucată de beton sau din mai multe plăci de beton

O singură bucată de beton sau mai multe blocuri de beton



WM1



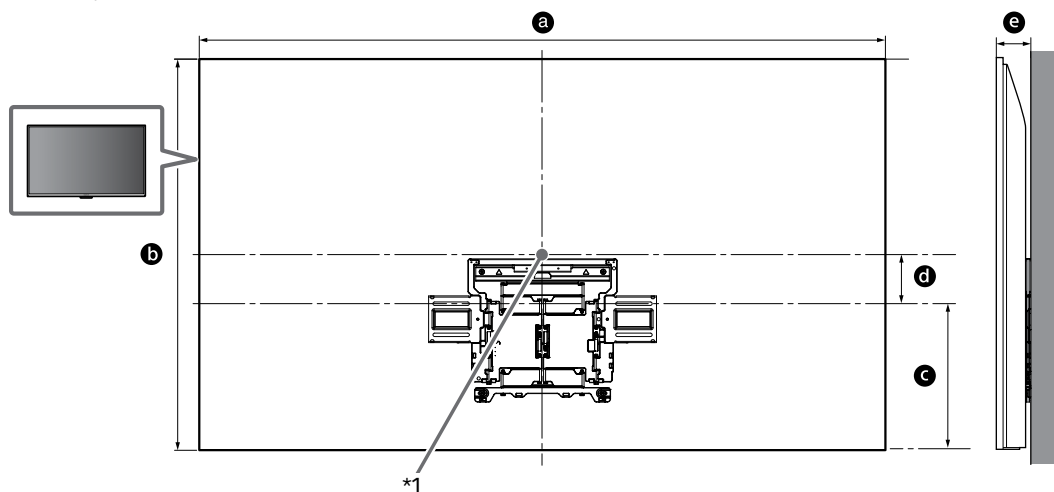
Instalarea pe perete a Dispozitivului de montare pe perete

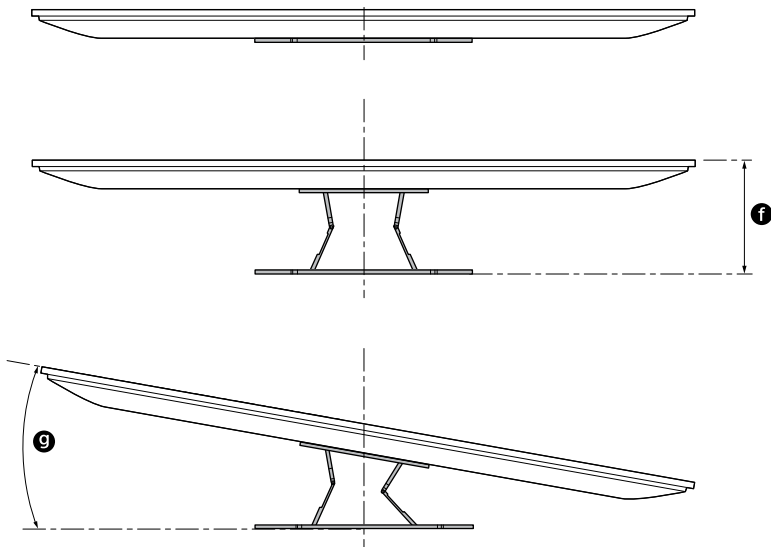
1 Stabiliți locația de instalare.

Asigurați-vă că peretele dispune de spațiu suficient pentru televizor și că poate susține o greutate de cel puțin patru ori mai mare decât cea a televizorului.

Consultați tabelul următor pentru instalarea televizorului pe perete. Consultați ghidul de referință al televizorului pentru a determina greutatea acestuia.

RO





(mm)

Numele modelului	a	b	c	d	e	f*2	g*2 (°)
KD-75XH80xx	1.686	969	364	123	86	288	15
KE-75XH80xx							
KD-65XH81xx	1.462	841	365	59	83	287	18
KE-65XH81xx							
KD-65XH80xx							
KE-65XH80xx							
KD-55XH81xx	1.243	718	365	3	83	287	20
KE-55XH81xx							
KD-55XH80xx							
KE-55XH80xx							

Tabel cu dimensiunile de instalare ale televizorului (mm)

Este posibil ca valorile din tabel să fie ușor diferite, în funcție de instalare.

*1 (Punctul central al ecranului)

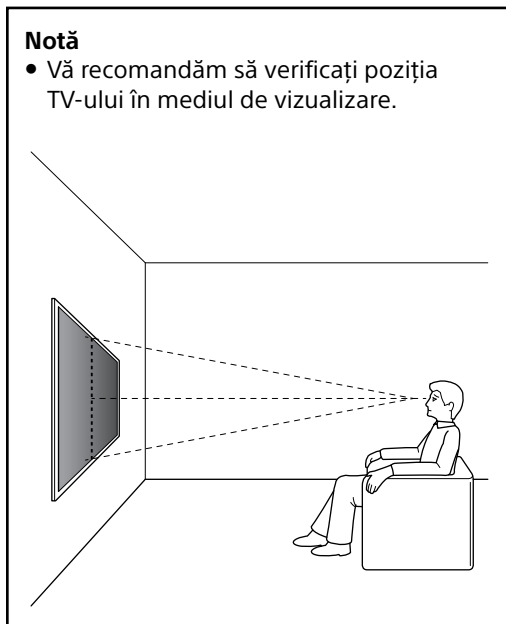
*2 (Aprox.)

Notă

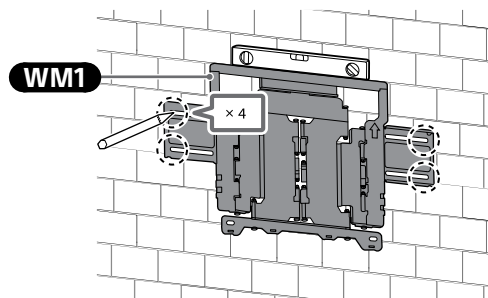
- Când televizorul este instalat pe perete, partea superioară a acestuia se înclină ușor înainte.

Notă

- Vă recomandăm să verificați poziția TV-ului în mediul de vizualizare.



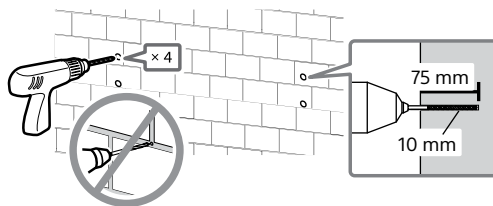
2 Aliniați **WM1** cu peretele și realizați patru marcaje.



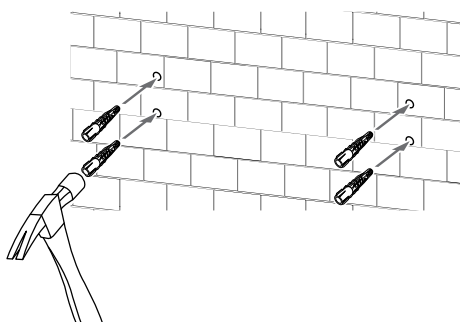
Notă

- Folosiți o nivelă pentru a verifica dacă **WM1** este drept.

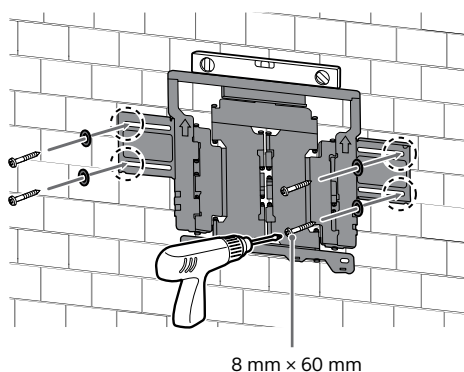
3 Dați găuri pilot pe semne.



4



5 Instalați **WM1** pe perete folosind șuruburi corespunzătoare (neincluse) și șaibe corespunzătoare (neincluse).



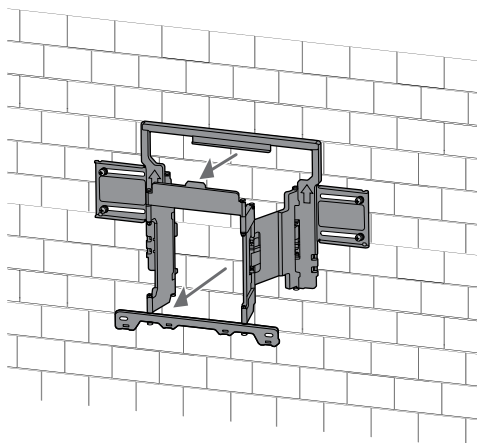
Notă

- Folosiți o nivelă pentru a verifica dacă Dispozitivul de montare pe perete este drept.

Măsură de precauție

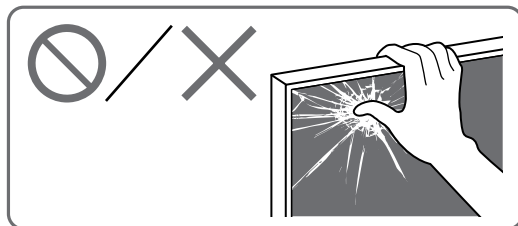
- Nu strângeți prea puternic șurubul din lemn de 8 mm x 60 mm. Strângerea necorespunzătoare ar putea reduce puterea de prindere a șurubului din lemn de 8 mm x 60 mm.

- 6 Trageți în afară brațul suportului, până la capăt.

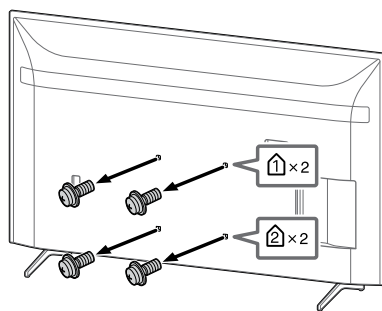


Pregătirea instalării televizorului

Asigurați-vă că atașați suportul de masă înainte de instalarea TV-ului pe perete, consultând Ghidul de configurare.



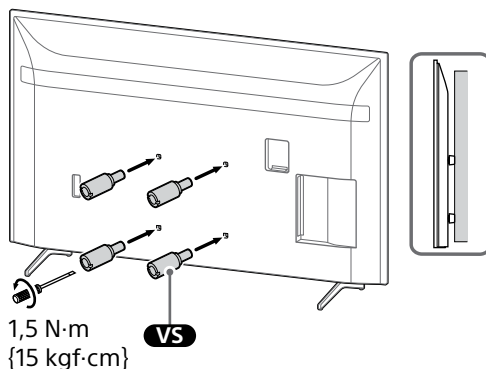
- 1 Demontați șuruburile din partea din spate a televizorului.



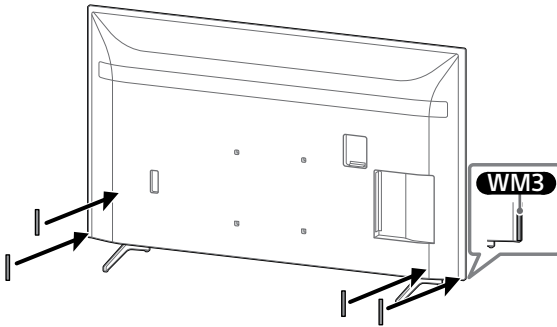
Notă

- Depozitați șuruburile demontate și componentele neutilizate într-un loc sigur, fără a le lăsa la îndemâna copiilor.

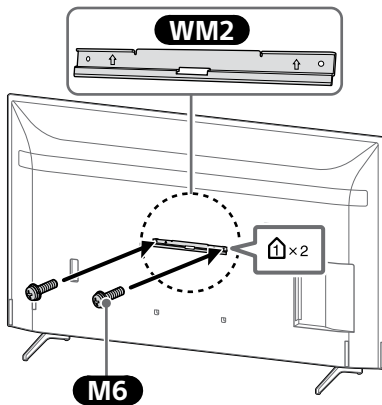
- 2 Prindeți elementul de fixare a dispozitivului de montare pe perete (inclus cu televizorul) pe partea din spate a televizorului (pentru a-l fixa paralel cu peretele).



3 Fixați WM3.

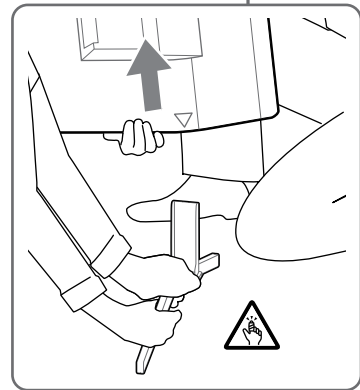
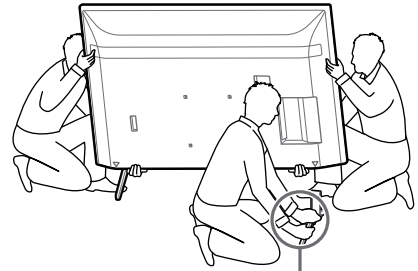


4 Atașați WM2 la televizor folosind M6.



5 Demontați suportul de masă de la televizor.

- Scoateți pe rând câte o parte laterală a suportului de masă. Țineți bine suportul de masă cu ambele mâini în timp ce persoana sau persoanele care vă ajută ridică televizorul.

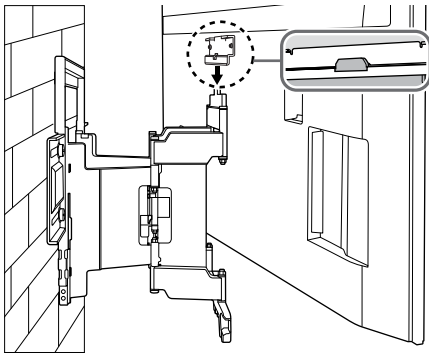
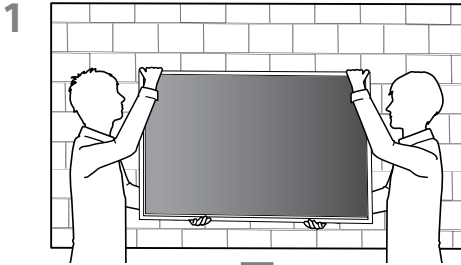


- Repetați pasul anterior și scoateți cealaltă parte laterală a suportului de masă.

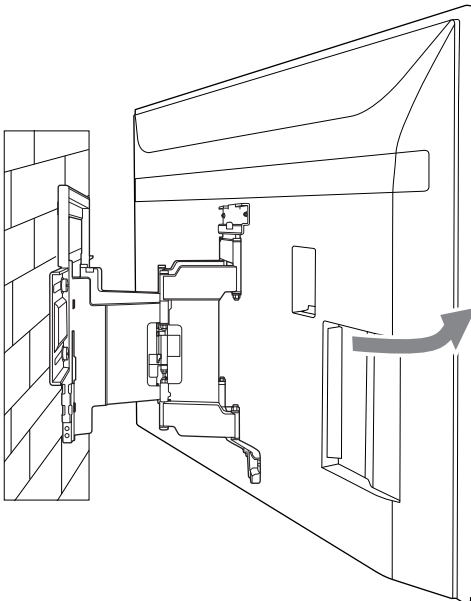
Notă

- Trei sau mai multe persoane sunt necesare pentru a detașa suportul de masă.
- Aveți grijă să nu utilizați forță excesivă în timp ce detașați suportul de masă din televizor, deoarece poate cauza căderea televizorului, rezultând în vătămări corporale sau deteriorarea televizorului.
- Aveți grijă atunci când manipulați suportul de masă pentru a preveni deteriorarea televizorului.
- Ridicați cu grijă televizorul, pentru că suportul de masă este desprins și se poate răsturna, provocând vătămări corporale.
- Demontați cu grijă suportul de masă de la televizor, pentru a evita căderea acestuia și deteriorarea suprafeței pe care este așezat televizorul.

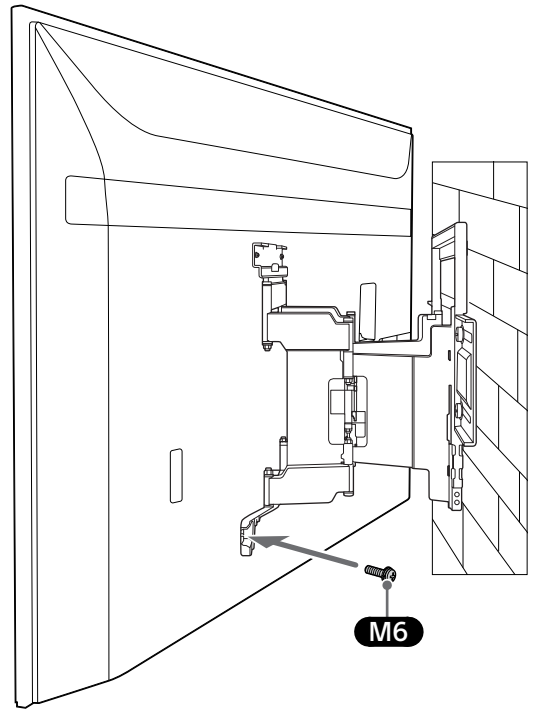
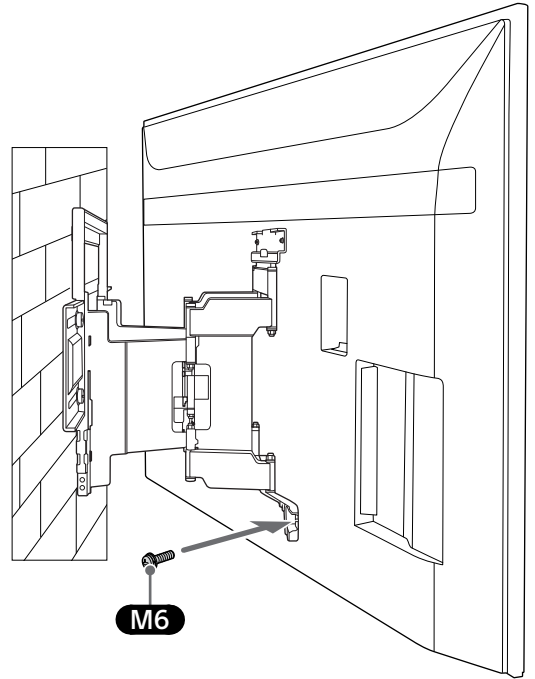
Instalarea televizorului pe perete



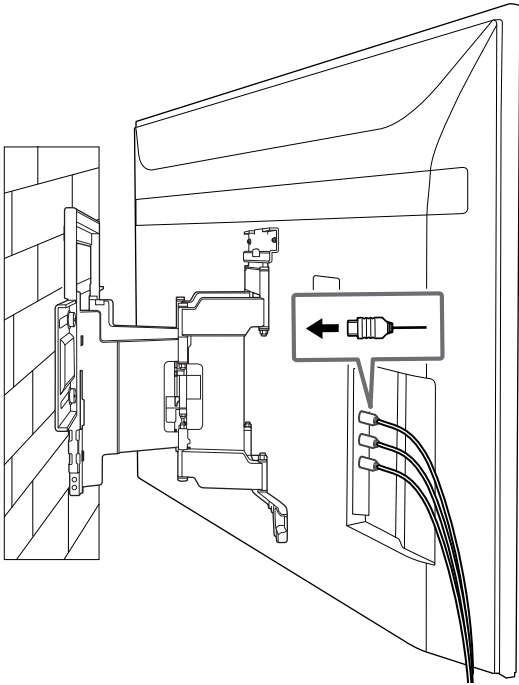
2



3 Îșurubați părțile din stânga și din dreapta ale dispozitivului de montare pe perete.

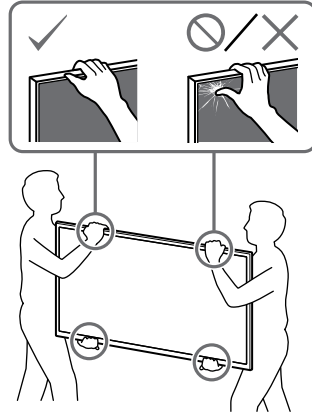


4

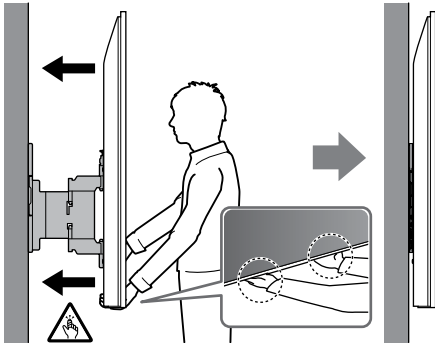


AVERTISMENT

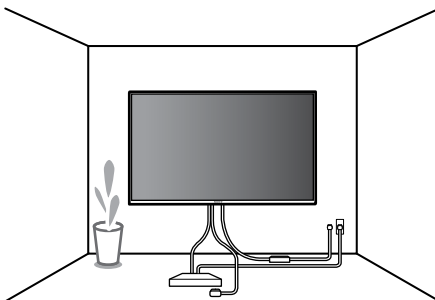
- Pentru a transporta televizorul, acesta trebuie ținut de două sau mai multe persoane (trei sau mai multe persoane pentru televizoarele cu diagonală de 75 de inci sau mai mare).



5 La deplasarea TV-ului, țineți-l bine din partea inferioară.



6



RO

Confirmarea finalizării instalării

Verificați următoarele aspecte.

- Firul și cablul nu sunt răsucite sau ciupite/perforate.

AVERTISMENT

- Amplasarea incorectă a cablului de alimentare în curent alternativ etc. poate cauza incendiu sau șocuri electrice prin intermediul unui scurtcircuit. Din motive de siguranță, verificați finalizarea instalării.

Alte informații

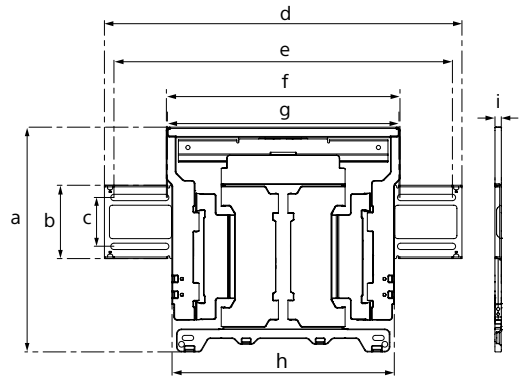
La demontarea televizorului, parcurgeți procedura de instalare în sens invers.

AVERTISMENT

- Pentru a demonta televizorul, acesta trebuie ținut de două sau mai multe persoane (trei sau mai multe persoane pentru televizoarele cu diagonală de 75 de inci sau mai mare).

Specificații

WM1



Dimensiuni: (aprox.) [mm]

a : 354
b : 116
c : 77
d : 563
e : 533
f : 370
g : 368
h : 350
i : 11

Greutate (numai baza): (aprox.) [kg]

3,0

Structura și specificațiile se pot modifica fără preaviz.

Информация за монтаж при използване на конзола за закрепване към стена на Sony (SU-WL850)

Поддържани модели*:

**KD-75XH80xx / 65XH81xx / 65XH80xx / 55XH81xx / 55XH80xx
KE-75XH80xx / 65XH81xx / 65XH80xx / 55XH81xx / 55XH80xx**

* В действителните имена на моделите "xx" означава номера и/или характеристики, специфични за всеки модел.

До потребителите

От съображения за безопасност и за защита на продукта, Sony препоръчва монтажът на вашия телевизор да бъде извършен от доставчици или подизпълнители на Sony. Не се опитвайте да го монтирате сами.

До доставчиците и подизпълнителите на Sony

Подходете с подчертано внимание към безопасността по време на монтажа, периодичната поддръжка и огледа на този продукт.

За монтажа на този продукт се изисква значителен опит, особено за определяне на здравината на стената, която трябва да издържи тежестта на телевизора. На всяка цена поверете на доставчици на Sony или лицензирани подизпълнители закрепването на този продукт към стената и по време на монтажа обърнете особено внимание на мерките за безопасност. Sony не носи отговорност за повреди или наранявания, причинени от неправилни манипулации или монтаж.

С оглед на безопасността и за правилен монтаж, следвайте ръководство за употреба на конзолата за закрепване към стена, ръководството за настройка на телевизора и указанията в това ръководство.

Конзола за закрепване към стена

Относно безопасността

Благодарим ви за покупката на този продукт.

До потребителите

Монтаж на телевизора на стена



ПРЕДУПРЕЖДЕНИЕ

НЕОБХОДИМ Е ПРОФЕСИОНАЛЕН МОНТАЖ

Този продукт трябва да се монтира само от професионален монтажник, който е обучен да определя якостта на стената, за да издържи тежестта на телевизора. Ако не е добре закрепен при монтажа, телевизорът може да падне и да причини тежко нараняване. Sony не носи отговорност за повреди или нараняване, причинени от неправилно боравене или неправилен монтаж, или от монтирането на продукт, различен от посочения. Вашите законни права (ако има такива) не са засегнати.

Към търговците на Sony

За монтирането на продукта се изисква опит. Прочетете внимателно това ръководство, за да извършите безопасно монтажните дейности. Sony не носи отговорност за повреди или наранявания, причинени от неправилна употреба или монтаж. Предайте това ръководство на клиента след монтажа.

Това ръководство показва правилния начин за работа с продукта и важните предпазни мерки, които трябва да се предприемат за да се избегнат злополуки. Вие имате задължението да прочетете, да осмислите напълно и да спазвате инструкциите в настоящото ръководство за употреба. Неспазването може да доведе до тежко телесно нараняване или до материални щети и може да анулира гаранцията. Запазете ръководството за бъдещи справки.

Продуктите на Sony са проектирани с мисъл за безопасността. Но ако използвате продукта неправилно, това може да доведе до сериозно нараняване вследствие на пожар, електрически удар, падане или изпускане на продукта. Спазвайте мерките за безопасност за предотвратяване на такива инциденти.

ВНИМАНИЕ

Уточняване на продуктите

Тази конзола за монтаж на стена е проектирана за използване само с указаните телевизори. За телевизорите направете справка в "Информация за продукта", за да проверите дали Конзолата за закрепване към стена може да се използва.

До потребителите

ПРЕДУПРЕЖДЕНИЕ

Ако не се спазват следните предпазни мерки, това може да доведе до сериозно нараняване или смърт от пожар, електрически удар или падане на продукта.

Възложете монтажа на лицензирани изпълнители и дръжте децата настрана по време на монтажа.

Ако конзолата за монтаж на стена не е монтирана правилно, може да възникнат следните инциденти. Уверете се, че монтажът се извършва от лицензирани изпълнители.

- Телевизорът може да падне и да предизвика сериозно нараняване, като контузия или счупване.
- Ако стената, на която е монтирана конзолата за монтаж на стена, е нестабилна, неравна или не е перпендикулярна на пода, конструкцията може да падне и да причини нараняване или повреда на имущество. Стената трябва да може да издържа тежест, равна на най-малко шест пъти тежестта на телевизора. (Направете справка в "Информация за продукта" на вашия телевизор за неговото тегло.)
- Ако монтажът на конзолата за монтаж на стена не е достатъчно здрав, конструкцията може да падне и да причини нараняване или повреда на имущество.

Уверете се, че сте възложили преместването или демонтажа на телевизора на лицензирани изпълнители.

Ако други лица, освен лицензирани изпълнители транспортират или демонтират телевизора, той може да падне и да причини нараняване или повреда на имущество. Уверете се, че двама или повече души (трима или повече души за комплект телевизор с размери от 75 инча) пренасят или демонтират телевизора.

Не сваляйте винтове и други след монтажа на телевизора.

Ако го направите, телевизорът може да падне и да причини нараняване или повреда на имущество.

Не променяйте частите на конзолата за монтаж на стена.

Ако го направите, конзолата за монтаж на стена може да падне и да причини нараняване или повреда на имущество.

Не монтирайте друго оборудване, освен указания продукт.

Тази конзола за монтаж на стена е проектирана за използване само с указания продукт. Ако монтирате оборудване, различно от указаното, то може да падне или да се счули и да причини нараняване или повреда на имущество.

Не подлагайте конзолата за монтаж на стена на никакъв друг товар, освен на този на телевизора.

Не клатете телевизора наляво/надясно, нагоре/надолу.

Ако го направите, телевизорът може да падне и да причини нараняване или повреда на имущество.

Не се облягайте и не се висете на телевизора.

Не се облягайте и не увисвайте от телевизора, защото може да падне и да причини сериозно нараняване.

ВНИМАНИЕ

Ако следните предпазни мерки не се спазват, може да възникне нараняване или повреда на имуществото.

- Внимавайте да не защитите пръстите си, докато манипулирате с Конзолата за закрепване към стена или въртите телевизора.
- Бъдете внимателни при завъртането на телевизора и следете да не ударите намиращи се наблизо хора.
- Непременно съхранявайте неизползваните части на безопасно място за употреба в бъдеще. Дръжте извън достъп на деца.

Не третирайте продукта с прекалена сила по време на почистване или поддръжка.

Не прилагайте прекалена сила върху горната част на телевизора. Ако го направите, телевизорът може да падне и да причини нараняване или повреда на имущество.

Предпазни мерки

- Ако дълго време използвате телевизор, монтиран на конзола за монтаж на стена, стената зад или над него може да се обезцвети или тапетът да се разлепи, в зависимост от материала на стената.
- Ако конзолата за монтаж на стена бъде свалена от стената след монтажа, ще останат отвори от винтовете.
- Не използвайте конзолата за монтаж на стена на място, където може да бъде подложена на механични вибрации.

Монтаж на конзола за монтаж на стена

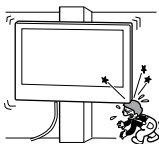
Към търговците на Sony

ПРЕДУПРЕЖДЕНИЕ

Следните инструкции са само за търговците на Sony. Прочетете мерките за безопасност, описани по-горе и обърнете специално внимание на безопасността по време на монтажа, поддръжката и инспекцията на продукта.

Не монтирайте конзолата за монтаж на стена на стенни повърхности, където ъглите или страните на телевизора се издават настрана от повърхността на стената.

Не монтирайте конзолата за монтаж на стена на стенни повърхности, например колона, където ъглите или страните на телевизора се издават настрана от повърхността на стената. Ако лице или предмет удари издадения ъгъл или страна на телевизора, това може да причини нараняване или повреда на имущество.

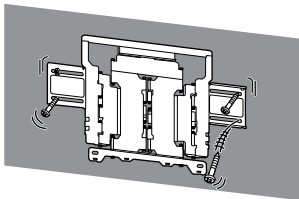


Не монтирайте телевизора над или под климатик.

Ако телевизорът е изложен продължително на течове или въздушно течение от климатик, това може да предизвика пожар, електрически удар или неизправност на телевизора.

Монтирайте здраво конзолата за монтаж на стена към стената като следвате инструкциите в това ръководство за работа.

Ако някой от винтовете се разхлаби или падне, конзолата за монтаж на стена може да падне и да причини нараняване или повреда на имущество. Уверете се, че използвате подходящи за материала на стената винтове и монтирайте уреда здраво с помощта на четири винтове с диаметър 8 mm (или еквивалентни).



Използвайте правилно доставените винтове и окачващи части като следвате инструкциите в това ръководство за работа. Ако използвате заместващи елементи, телевизорът може да падне и да причини телесна повреда или да се повреди.

Уверете се, че сглобявате конзолата правилно като следвате процедурата, описана в това ръководство за работа.

Ако някой от винтовете се разхлаби или падне, телевизорът може да падне и да причини телесна повреда или да се повреди.

Затегнете здраво винтовете в указаното положение.

Ако не го направите, телевизорът може да падне и да причини телесна повреда или да се повреди.

Внимавайте да не ударите телевизора по време на монтажа.

Ако телевизорът бъде подложен на удар, той може да падне или да се счупи. Това може да доведе до нараняване.

Монтирайте телевизора на стена, която е перпендикулярна и равна.

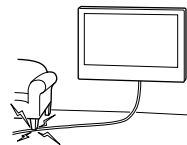
Ако не направите това, телевизорът може да падне и да причини нараняване.

След правилния монтаж на телевизора, обезопасете правилно кабелите.

Ако хора или предмети се заплетат в кабелите, това може да причини нараняване или повреда на телевизора.

Не допускате притискане на захранващия кабел или на свързващия кабел.

Ако захранващият кабел или свързващият кабел бъдат притиснати между конструкцията и стената или ако бъдат огънати или усукани със сила, вътрешните проводници може да се оголят и да причинят късо съединение или електрически удар. Това може да причини пожар или електрически удар.



Винтовете, необходими за закрепване на конзолата за монтаж на стена към стената, не са включени в комплекта.

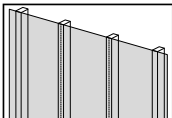
Използвайте подходящи винтове според материала на стената и конструкцията, когато монтирате конзолата за монтаж на стена.

Преди започване

Първо проверете каква е стената, на която ще се монтира телевизора.

От какво е направена стената ви?

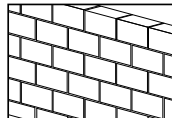
Суха стена (гипс-картон) с дървени летви



Предпазни мерки

- Максимална дебелина на сухата стена: 16 mm.
- Уверете се, че размерите на вътрешните дървени летви е най-малко 51 x 102 mm за обикновени или 38 x 89 mm за номинални.
- Оставете минимум 406 mm хоризонтално разстояние между скрепителните елементи.

Плътен бетон или бетонни блокчета



Предпазни мерки

- Монтирайте Конзолата за закрепване към стена направо върху стената от плътен бетон.
- Уверете се, че дебелината на стената от плътен бетон е най-малко 203 mm.
- Уверете се, че размерите на всяко бетонно блокче са най-малко 203 x 203 x 406 mm.

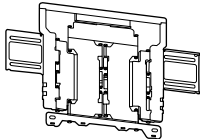

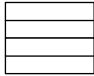

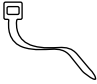
Подготовка за монтаж

- Справочното ръководство и ръководството за настройка на телевизора трябва да са под ръка преди започване на монтажа.
- Проверете положението за монтаж на телевизора.
- Пригответе четири винта с диаметър 8 mm и четири обикновени шайби (не се доставя).
Изберете винтове, подходящи за материала на стената.

Проверка на частите

Доставено с SU-WL850

- Проверете дали всички части са налични.



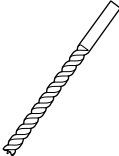
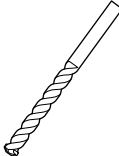
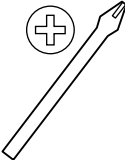




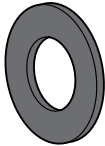

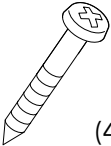
A WM1 (1) 	B WM2 (1) 
C WM3 (4) 	D M6 (4) 
E WT1 (6) 	

Доставено с телевизора

VS Приставка за закрепване към стена (4) 
--



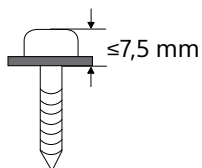
Необходими инструменти

*1 	  5,5 mm  10 mm 		
*2 		 1,5 N·m {15 kgf·cm}	
*3  (4)	*2  (4)	*3  8 mm x 60 mm (4)	

*1 Само за суха стена с дървени летви

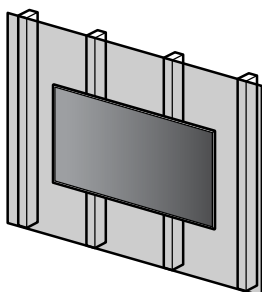
*2 Само за плътен бетон или бетонни блокчета

*3 Внимавайте, когато подбирате винтовете и шайбите

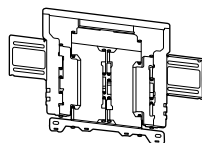


A Закрепване на телевизора към сухата стена с дървени летви

Суха стена (гипс-картон) с дървени летви



WM1

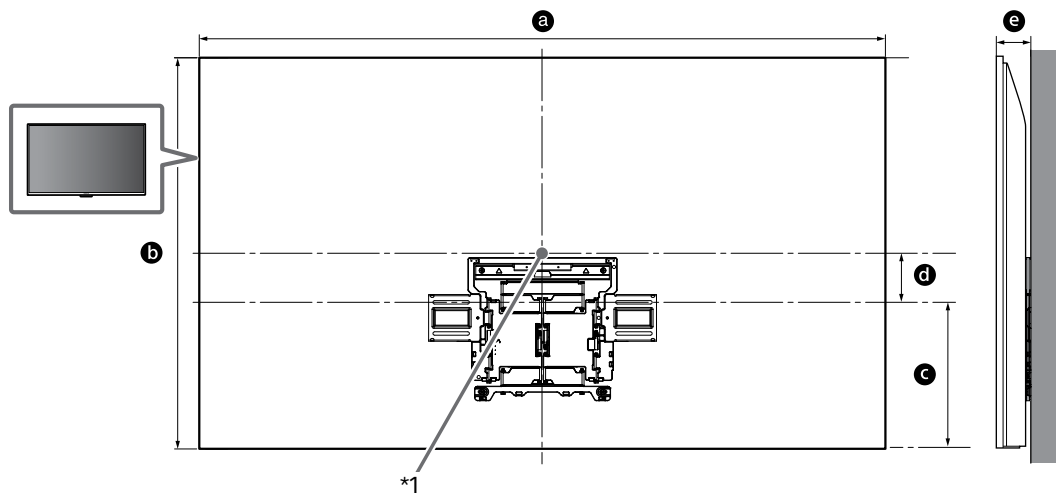


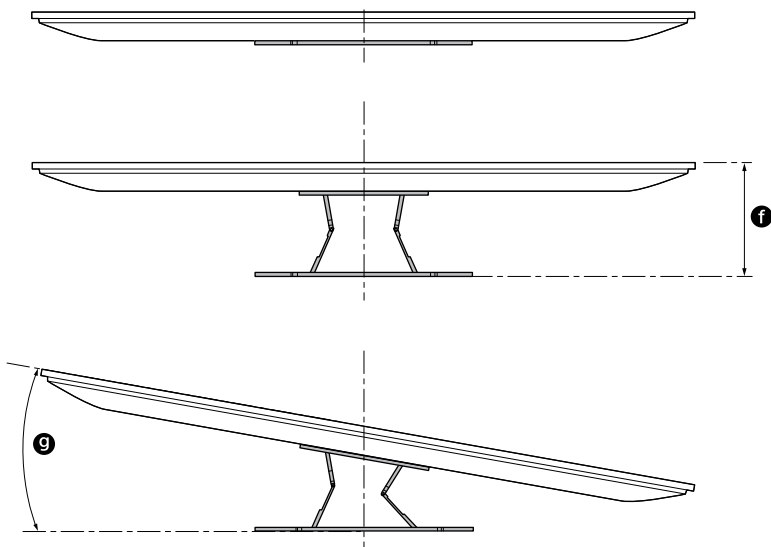
Монтиране на Конзолата за закрепване към стена на стената

1 Изберете мястото на монтаж.

Уверете се, че на стената има достатъчно място за телевизора и че тя е способна да издържи тежест, поне четирикратно превишаваща тази на телевизора.

Вижте следната таблица относно монтажа на телевизора на стената. Вижте справочното ръководство на телевизора относно теглото му.





(mm)

Име на модел	a	b	c	d	e	f*2	g*2 (°)
KD-75XH80xx	1 686	969	364	123	86	288	15
KE-75XH80xx							
KD-65XH81xx	1 462	841	365	59	83	287	18
KE-65XH81xx							
KD-65XH80xx							
KE-65XH80xx							
KD-55XH81xx	1 243	718	365	3	83	287	20
KE-55XH81xx							
KD-55XH80xx							
KE-55XH80xx							

Таблица на размерите (mm) за монтажа на телевизора

Числата в таблицата може леко да се различават в зависимост от начина на извършване на монтажа.

*1 (Централна точка на екрана)

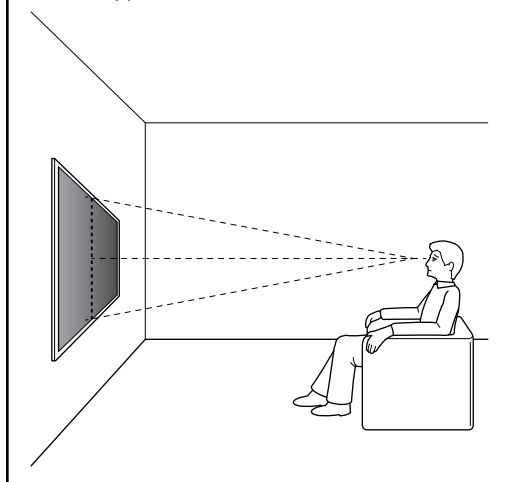
*2 (прибл.)

Забележка

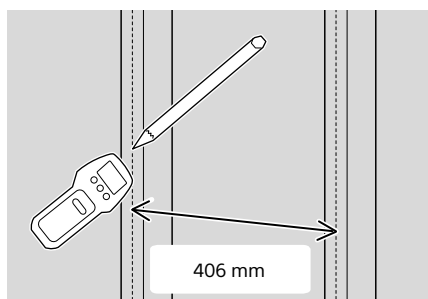
- Когато вашият телевизор е монтиран на стената, горната му част леко се накланя напред.

Забележка

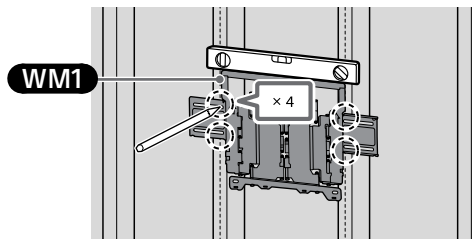
- Препоръчваме да проверите мястото на телевизора в средата, в която ще се гледа.



2



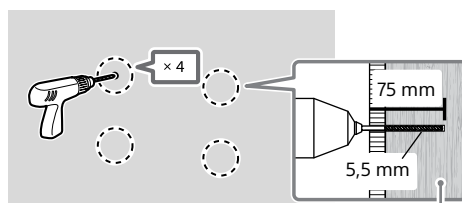
- 3 Поставете **WM1** на стената и направете четири белега наравно с летвите.



Забележка

- С помощта на нивелир проверете дали **WM1** е хоризонтално.

- 4 Пробийте горните контролни дупки върху белезите.

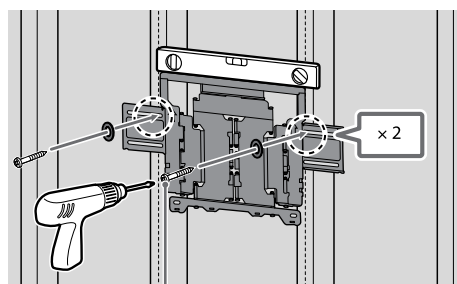


Дървени летви или подсилване

Забележка

- Контролните дупки трябва да се пробият на дълбочина 75 mm с помощта на свредло с диаметър 5,5 mm.

- 5 Монтирайте **WM1** на стената с помощта на подходящи винтове (не се доставя) и шайби (не се доставя).



8 mm × 60 mm

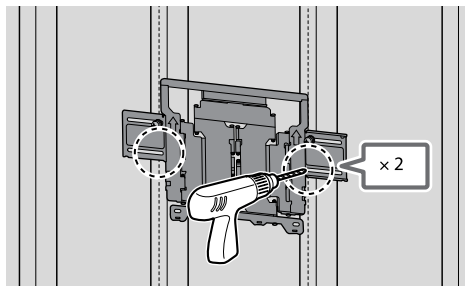
Забележка

- С помощта на нивелир проверете дали **WM1** е хоризонтално.

Внимание

- Не претягайте дървеният винт 8 mm × 60 mm. Неправилно затягане може да намали издръжливостта на дървения винт 8 mm × 60 mm.

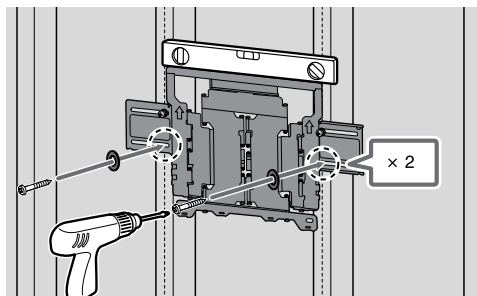
- 6 Пробийте долните контролни дупки върху белезите. (Вижте точка 4 за указания за пробиване.)



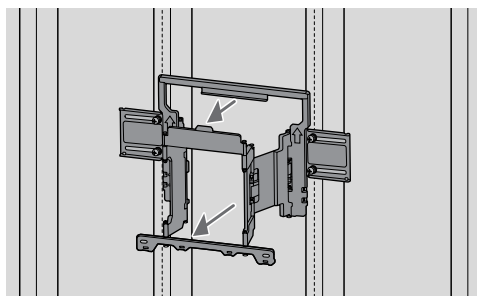
- 7 Наместете подходящите винтове и шайбите в дупките.

Забележка

- С помощта на нивелир проверете дали Конзолата за закрепване към стена е хоризонтална.

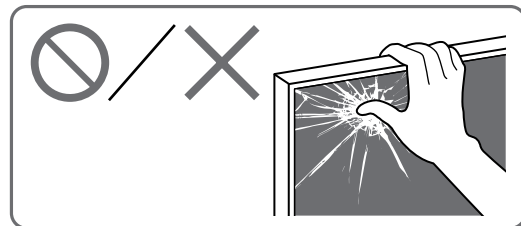


- 8 Издърпайте рамото на конзолата докрай.

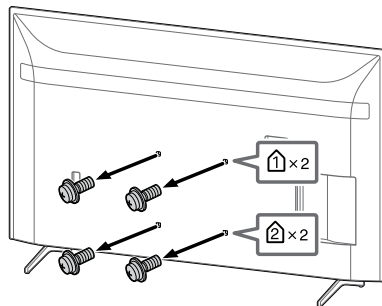


Подготовка за монтаж на телевизора

Уверете се, че се прикрепилите поставката за маса, преди да монтирате телевизора към стена, като следвате ръководството за инсталация.



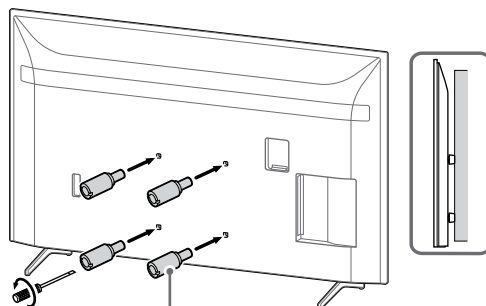
- 1 Свалете винтовете от задната страна на телевизора.



Забележка

- Запазете свалените винтове и неизползваните части на сигурно място, далече от деца.

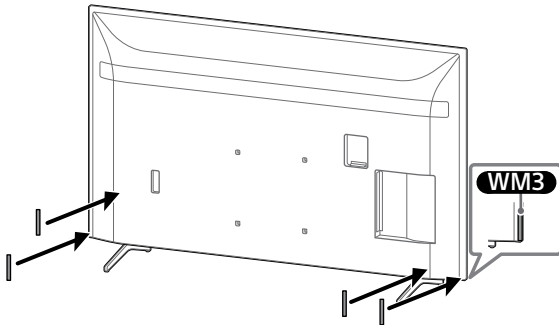
- 2 Закрепете приставките за закрепване към стена (доставени с телевизора) от задната страна на телевизора (за да стане успореден на стената).



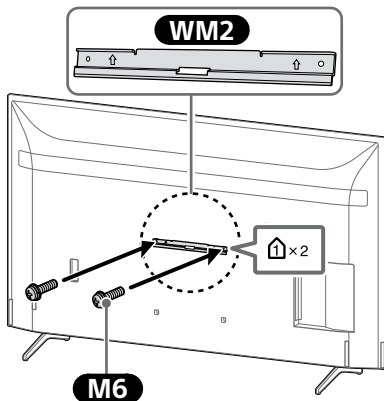
1,5 N·m
{15 kgf·cm}

VS

3 Прикрепете **WM3**.

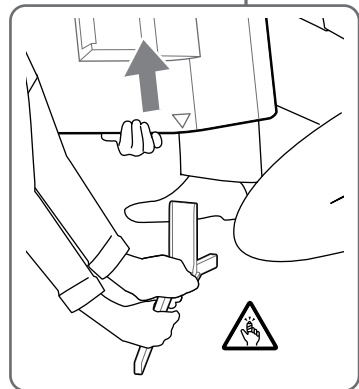
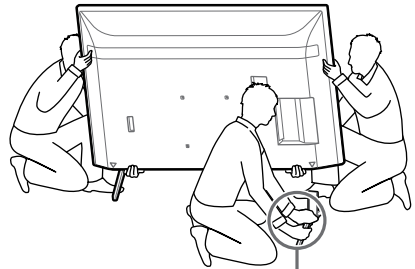


4 Закрепете **WM2** към телевизора с помощта на **M6**.



5 Свалете поставката за маса от телевизора.

- Отстранете едната страна на стойката за маса. Дръжте здраво стойката за маса стабилно с двете си ръце, докато други повдигат телевизора.

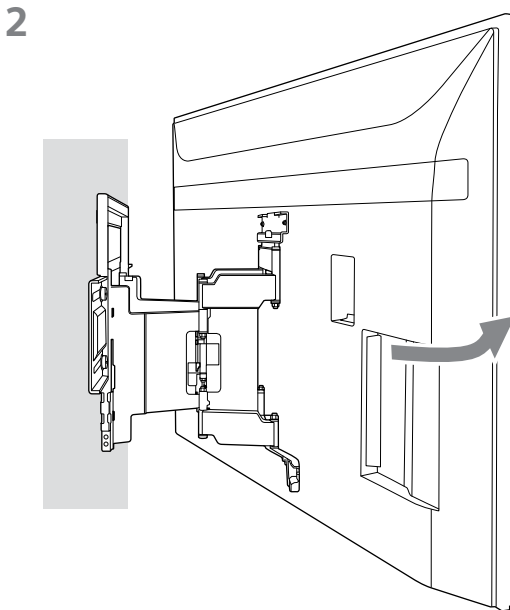
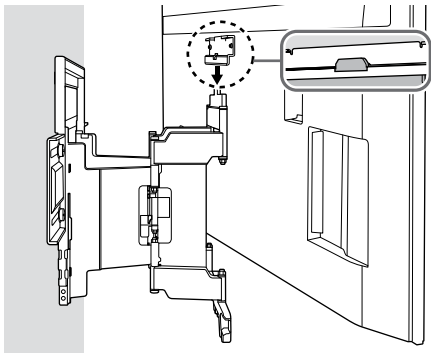
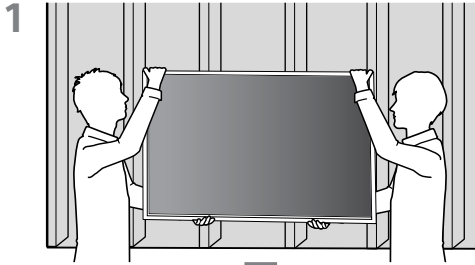


- Повторете предишната стъпка и отстранете другата страна на стойката за маса.

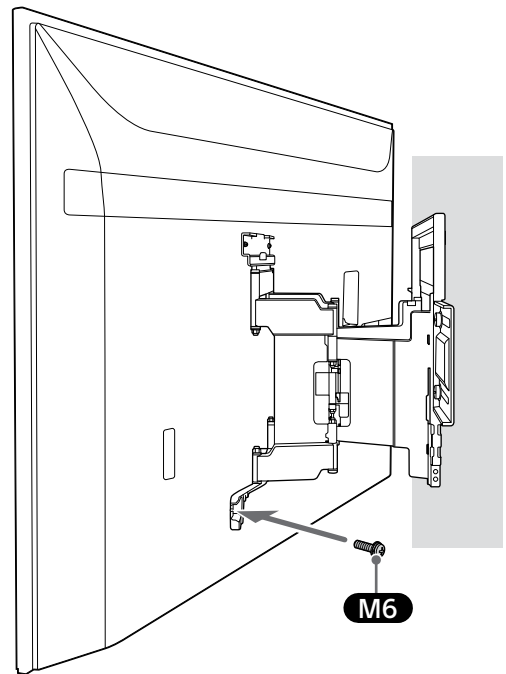
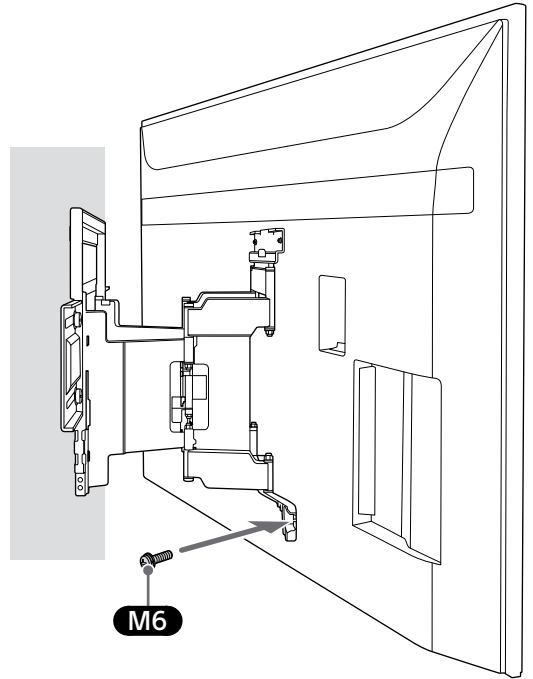
Забележка

- Свалянето на поставката за маса следва да се извърши от двама или повече души.
- Внимавайте да не прилагате прекомерна сила, когато сваляте поставката за маса от телевизора, тъй като телевизорът може да падне и да причини телесно нараняване или самият телевизор да се повреди.
- Бъдете внимателни, когато работите с поставката за маса, за да избегнете повреждане на телевизора.
- Внимавайте, когато повдигате телевизора, тъй като стойката за маса не е закачена и стойката за маса може да се изсипе и да причини нараняване.
- Внимавайте, когато премахвате стойката за маса от телевизора, за да предотвратите падането ѝ и нараняването на повърхността, върху която стои телевизора.

Монтаж на телевизора на стената

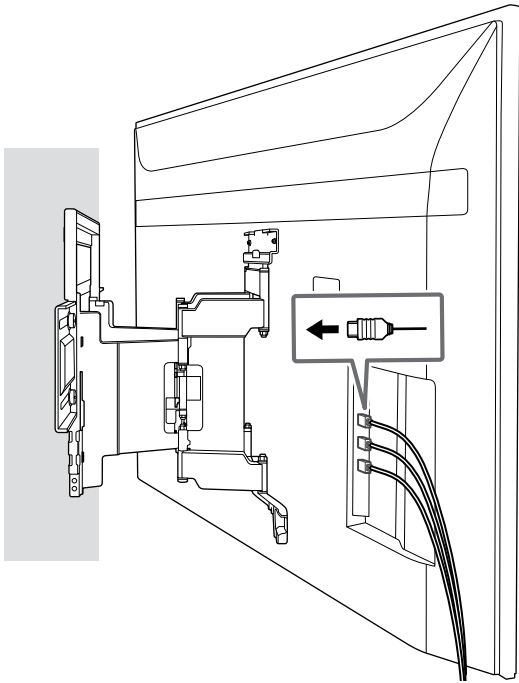


3 Завийте лявата и дясната страна на Конзолата за закрепване към стена.



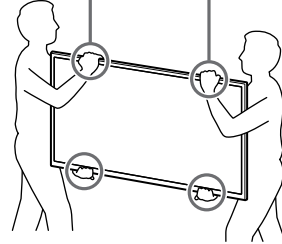
BG

4

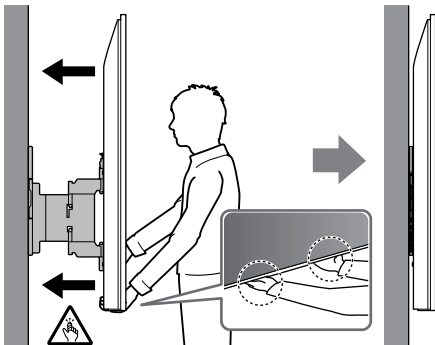


ПРЕДУПРЕЖДЕНИЕ

- Уверете се, че двама или повече души (трима или повече души за комплект телевизор с размери от 75 инча) държат телевизора, когато го носите.



5 Когато местите телевизора, дръжте го здраво от долната страна.



Проверка на приключването на монтажа

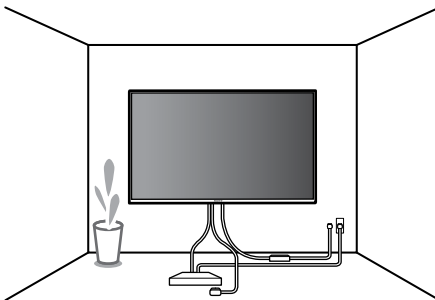
Проверете следните точки.

- Кабелите не са усукани или притиснати.

ПРЕДУПРЕЖДЕНИЕ

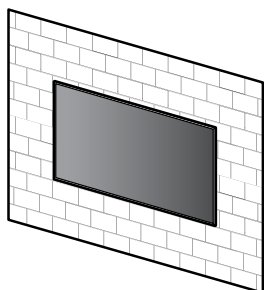
- Неправилното поставяне на захранващия кабел и други може да причини пожар или електрически удар поради късо съединение. С оглед на безопасността проверете дали монтажът е завършен.

6

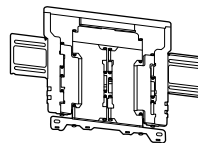


В Закрепване на Конзолата за закрепване към стена към пълтен бетон или бетонни блокчета

Пълтен бетон или бетонни блокчета



WM1

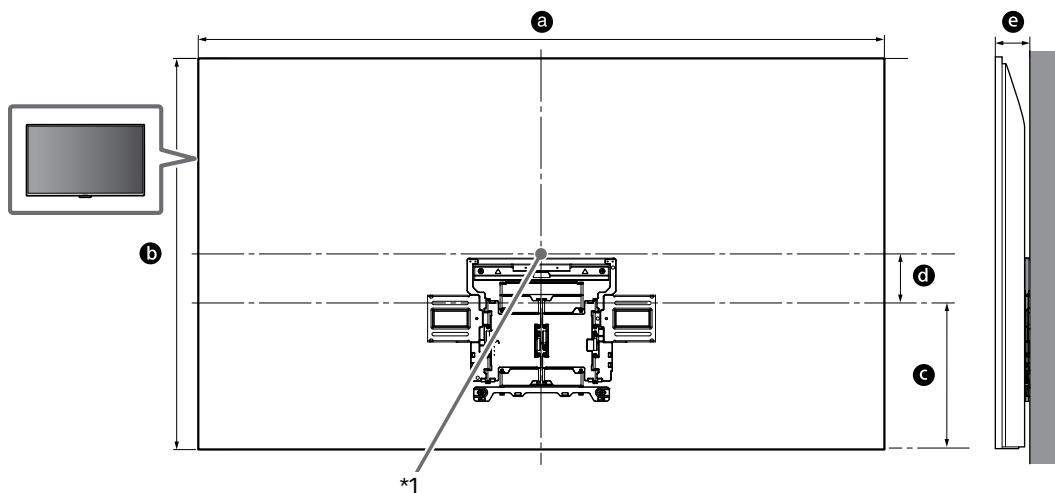


Монтиране на Конзолата за закрепване към стена на стената

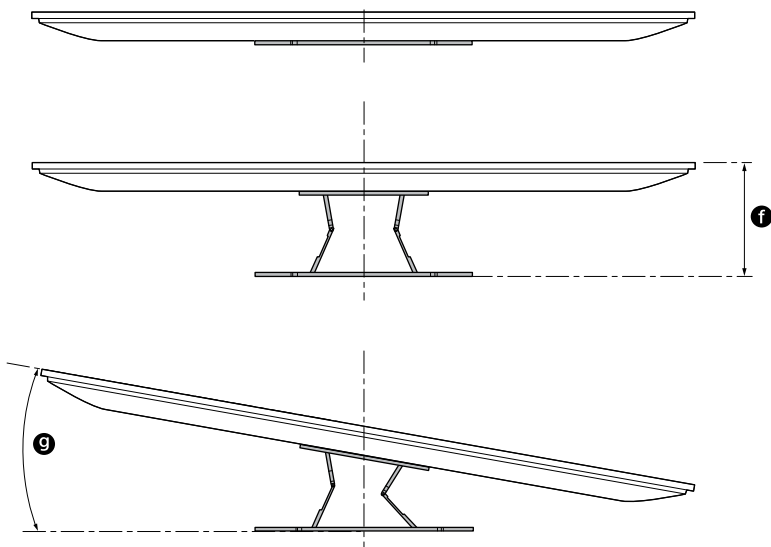
1 Изберете мястото на монтаж.

Уверете се, че на стената има достатъчно място за телевизора и че тя е способна да издържи тежест, поне четирикратно превишаваща тази на телевизора.

Вижте следната таблица относно монтажа на телевизора на стената. Вижте справочното ръководство на телевизора относно теглото му.



BG



(mm)

Име на модел	a	b	c	d	e	f*2	g*2 (°)
KD-75XH80xx	1 686	969	364	123	86	288	15
KE-75XH80xx							
KD-65XH81xx	1 462	841	365	59	83	287	18
KE-65XH81xx							
KD-65XH80xx							
KE-65XH80xx							
KD-55XH81xx	1 243	718	365	3	83	287	20
KE-55XH81xx							
KD-55XH80xx							
KE-55XH80xx							

Таблица на размерите (mm) за монтажа на телевизора

Числата в таблицата може леко да се различават в зависимост от начина на извършване на монтажа.

*1 (Централна точка на екрана)

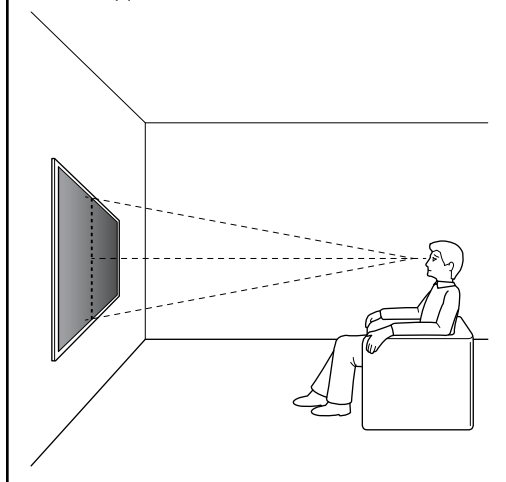
*2 (прибл.)

Забележка

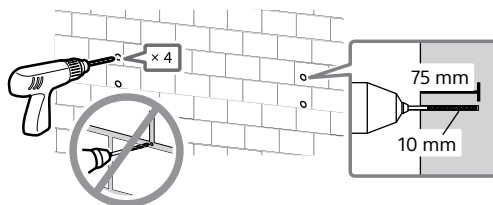
- Когато вашият телевизор е монтиран на стената, горната му част леко се накланя напред.

Забележка

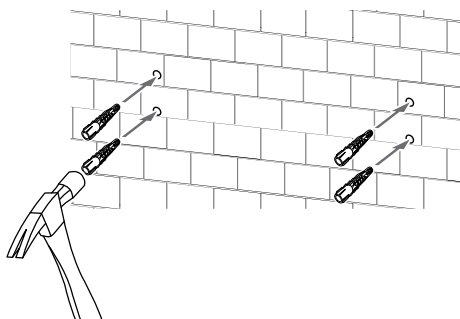
- Препоръчваме да проверите мястото на телевизора в средата, в която ще се гледа.



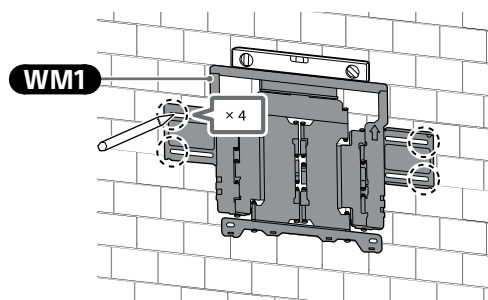
3 Пробийте направляващи дупки на отбелязаните места.



4



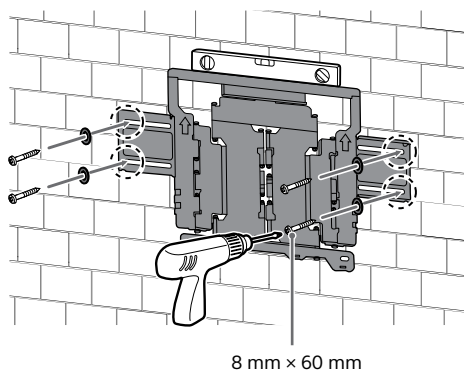
2 Поставете **WM1** на стената и направете четири белега.



Забележка

- С помощта на нивелир проверете дали **WM1** е хоризонтално.

5 Монтирайте **WM1** на стената с помощта на подходящи винтове (не се доставя) и шайби (не се доставя).



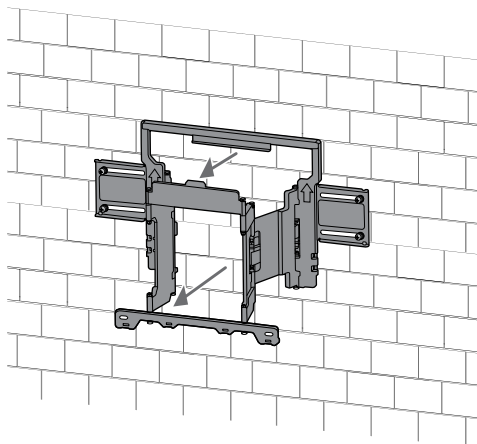
Забележка

- С помощта на нивелир проверете дали Конзолата за закрепване към стена е хоризонтална.

Внимание

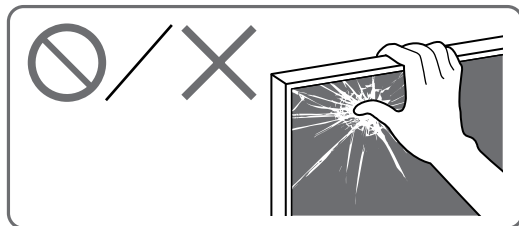
- Не презатягайте дървеният винт 8 mm x 60 mm. Неправилно затягане може да намали издръжливостта на дървения винт 8 mm x 60 mm.

6 Издърпайте рамото на конзолата докрай.

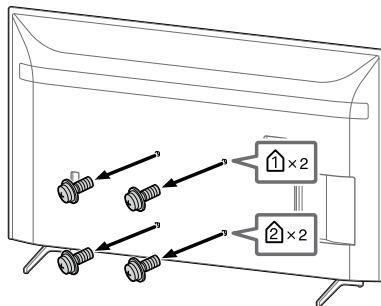


Подготовка за монтаж на телевизора

Уверете се, че се прикрепилите поставката за маса, преди да монтирате телевизора към стена, като следвате ръководството за инсталация.



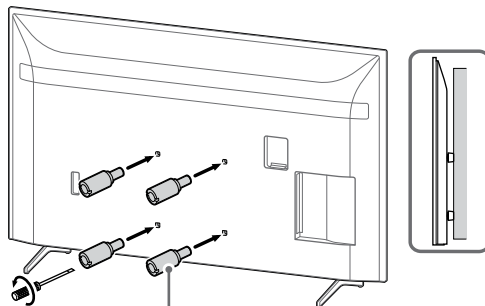
1 Свалете винтовете от задната страна на телевизора.



Забележка

- Запазете свалените винтове и неизползваните части на сигурно място, далече от деца.

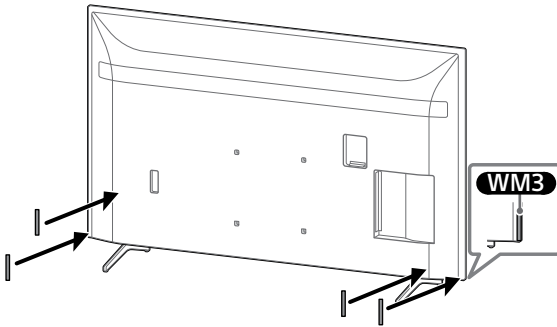
2 Закрепете приставките за закрепване към стена (доставени с телевизора) от задната страна на телевизора (за да стане успореден на стената).



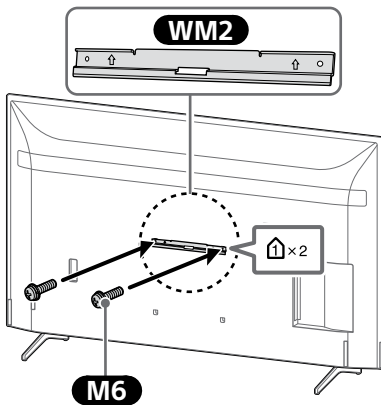
1,5 N·m
{15 kgf·cm}

VS

3 Прикрепете WM3.

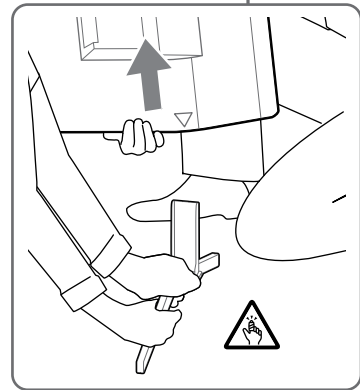
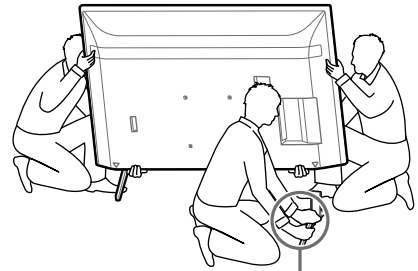


4 Закрепете WM2 към телевизора с помощта на M6.



5 Свалете поставката за маса от телевизора.

- Отстранете едната страна на стойката за маса. Дръжте здраво стойката за маса стабилно с двете си ръце, докато други повдигат телевизора.

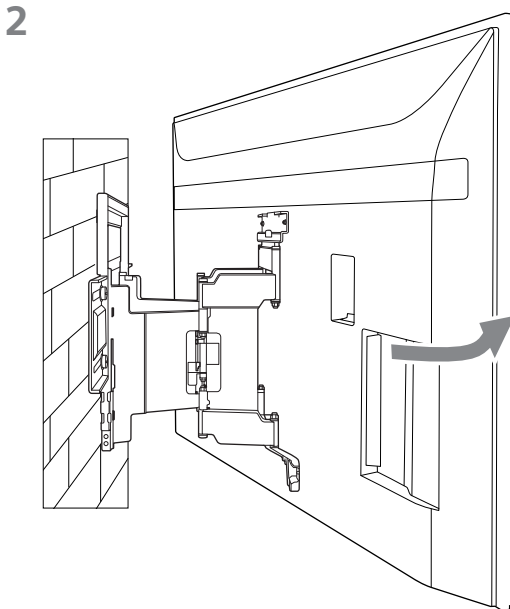
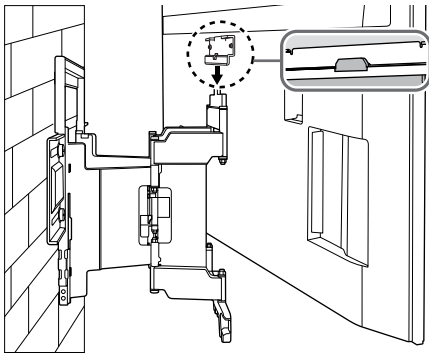
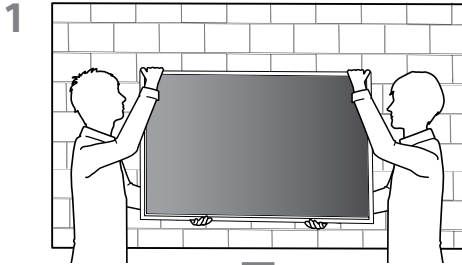


- Повторете предишната стъпка и отстранете другата страна на стойката за маса.

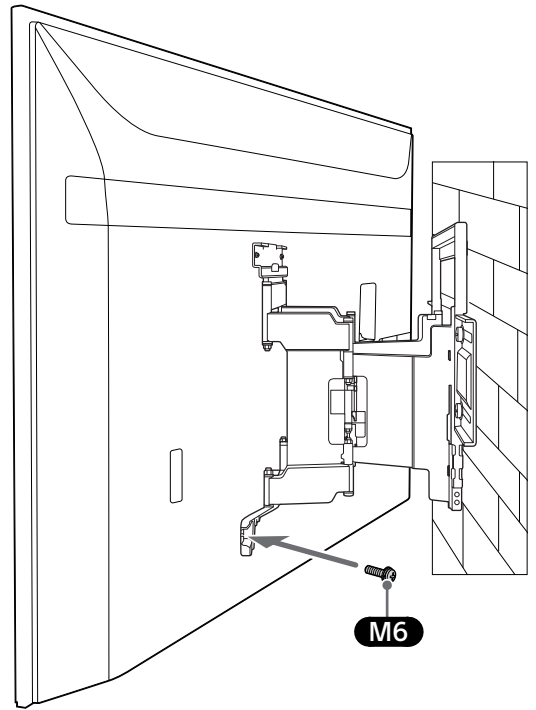
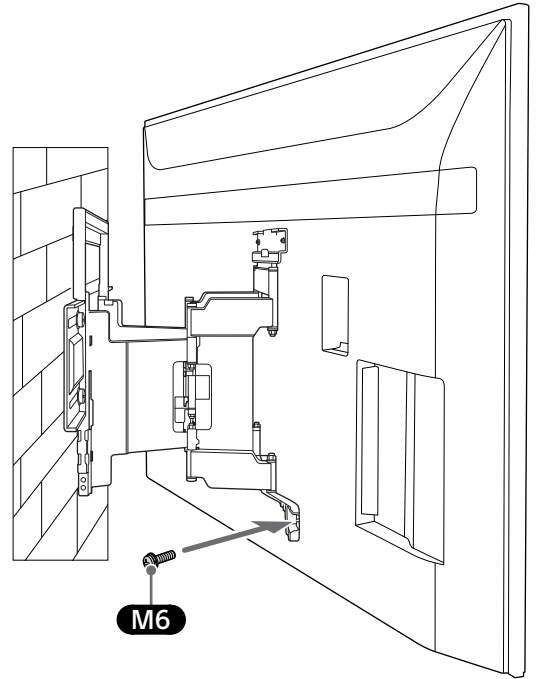
Забележка

- Свалянето на поставката за маса следва да се извърши от двама или повече души.
- Внимавайте да не прилагате прекомерна сила, когато сваляте поставката за маса от телевизора, тъй като телевизорът може да падне и да причини телесно нараняване или самият телевизор да се повреди.
- Бъдете внимателни, когато работите с поставката за маса, за да избегнете повреждане на телевизора.
- Внимавайте, когато повдигате телевизора, тъй като стойката за маса не е закачена и стойката за маса може да се изсипе и да причини нараняване.
- Внимавайте, когато премахвате стойката за маса от телевизора, за да предотвратите падането ѝ и нараняването на повърхността, върху която стои телевизора.

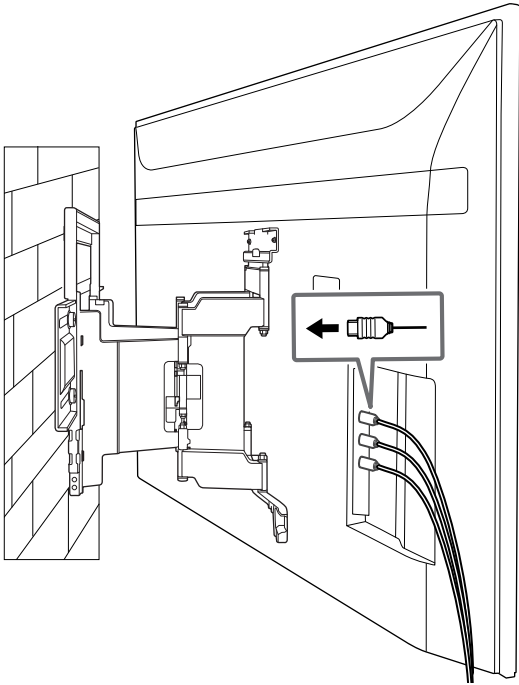
Монтаж на телевизора на стената



- 3 Завийте лявата и дясната страна на Конзолата за закрепване към стена.

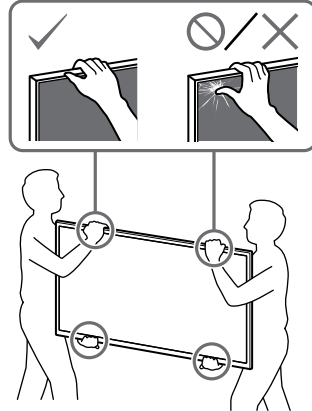


4

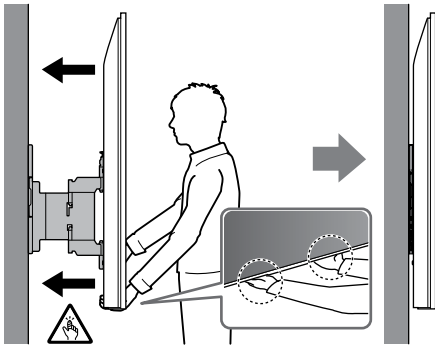


ПРЕДУПРЕЖДЕНИЕ

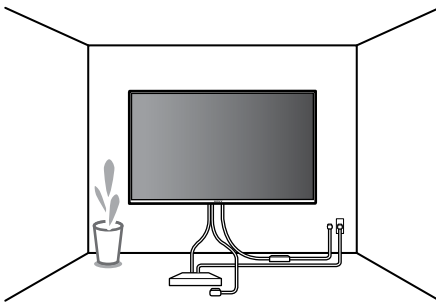
- Уверете се, че двама или повече души (трима или повече души за комплект телевизор с размери от 75 инча) държат телевизора, когато го носите.



5 Когато местите телевизора, дръжте го здраво от долната страна.



6



BG

Проверка на приключването на монтажа

Проверете следните точки.

- Кабелите не са усукани или притиснати.

ПРЕДУПРЕЖДЕНИЕ

- Неправилното поставяне на захранващия кабел и други може да причини пожар или електрически удар поради късо съединение. С оглед на безопасността проверете дали монтажът е завършен.

Друга информация

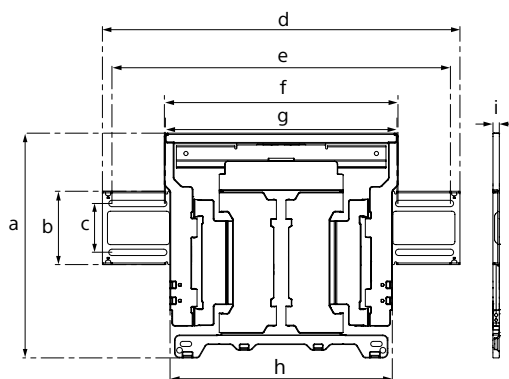
Когато сваляте телевизора, изпълнете процедурата на монтажа в обратен ред.

ПРЕДУПРЕЖДЕНИЕ

- Уверете се, че двама или повече души (трима или повече души за комплект телевизор с размери от 75 инча) държат телевизора, когато го премахват.

Спецификации

WM1



Размери: (прибл.) [mm]

- a : 354
- b : 116
- c : 77
- d : 563
- e : 533
- f : 370
- g : 368
- h : 350
- i : 11

Тегло (само на основата): (прибл.) [kg]

3,0

Дизайнът и спецификациите подлежат на промяна без предупреждение.

Сведения об использовании кронштейна для настенной установки Sony (SU-WL850)

Поддерживаемые модели*:

KD-75XH80xx / 65XH81xx / 65XH80xx / 55XH81xx / 55XH80xx

KE-75XH80xx / 65XH81xx / 65XH80xx / 55XH81xx / 55XH80xx

* В актуальных именах моделей знак "xx" обозначает числа и/или символы, характерные для каждой модели.

К сведению покупателей

Для обеспечения сохранности изделия и из соображений безопасности компания Sony настоятельно рекомендует привлекать для установки телевизора только дилеров или лицензированных подрядчиков Sony. Не пытайтесь выполнить установку самостоятельно.

К сведению дилеров и подрядчиков Sony

Уделяйте повышенное внимание безопасности во время установки, периодического обслуживания и осмотра данного изделия.

Для правильной установки данного изделия необходим достаточный опыт, в особенности при определении того, в состоянии ли стена выдержать вес телевизора. Обязательно привлечите для установки этого изделия на стену дилеров или лицензированных подрядчиков Sony и строго соблюдайте технику безопасности при выполнении работ по установке. Компания Sony не несет ответственности за любые поломки или травмы, вызванные неправильным обращением с изделием или его неправильной установкой.

Для безопасной и надлежащей установки см. инструкции по эксплуатации кронштейна для настенной установки, руководство по установке телевизора и указания данного руководства.

Название продукта Кронштейн для настенной установки:

Кронштейн для настенной установки

Безопасность

Благодарим за покупку этого изделия.

К сведению покупателей

Установка телевизора на стену



ПРЕДУПРЕЖДЕНИЕ

ТРЕБУЕТСЯ ПРОФЕССИОНАЛЬНАЯ УСТАНОВКА

Данное изделие должен устанавливать квалифицированный специалист, умеющий определять прочность стены, которая должна выдерживать вес телевизора. Если телевизор не закрепить должным образом при установке, он может упасть и причинить тяжелые травмы. Компания Sony не несет ответственность за любые повреждения или травмы, вызванные неправильным обращением или ненадлежащей установкой, либо установкой любого другого изделия, кроме указанного. Это не влияет на ваши законные права (если таковые имеются).

Для дилеров Sony

Для установки данного изделия требуется достаточный опыт. Для безопасной установки устройства обязательно внимательно прочтите настоящее руководство. Sony не несет ответственности в случае повреждения или получения травм в результате неправильного обращения или ненадлежащей установки. По окончании установки передайте это руководство покупателю.

В этом руководстве по установке приведены важные меры предосторожности и информация по обеспечению надлежащего обращения с изделием, которые необходимы для предотвращения несчастных случаев. Вы обязаны прочитать, полностью понять и соблюдать все инструкции, изложенные в настоящем руководстве. Несоблюдение этого требования может привести к тяжелым травмам или повреждению имущества и стать причиной аннулирования гарантии. Сохраните настоящее руководство для использования в будущем.

Изделия Sony разработаны с учетом требований по безопасности. Однако неправильное использование изделий может стать причиной получения серьезных травм вследствие поражения электрическим током, возгорания, опрокидывания или падения изделия. Вы избежание возникновения таких несчастных случаев обязательно соблюдайте соответствующие меры предосторожности.

Дата изготовления указана на изделии и упаковке на этикетке со штрих-кодом в следующем формате: YYYY/MM, где YYYY - год, MM - месяц изготовления.

Производитель: Сони Корпорейшн,
1-7-1 Конан Минато-ку Токио,
108-0075 Япония
Сделано в Китае

Организация, уполномоченная принимать претензии от потребителей на территории Казахстана
АО «Сони Электроникс»
Представительство в Казахстане,
050010, Республика Казахстан, г. Алматы,
пр. Достык, дом 117/7

Импортер на территории стран Таможенного союза
АО «Сони Электроникс», Россия, 123103,
Москва, Карамышевский проезд, 6

ВНИМАНИЕ

Указанные изделия

Данный кронштейн для настенного крепления предназначен для отдельных моделей телевизоров. Обратитесь к «Справочник», прилагаемому к телевизору, чтобы уточнить возможность использования кронштейна для настенной установки.

К сведению покупателей

ПРЕДУПРЕЖДЕНИЕ

Несоблюдение приведенных ниже мер предосторожности может стать причиной смерти или получения серьезных травм вследствие поражения электрическим током, возгорания, опрокидывания или падения изделия.

Обязательно обратитесь к лицензированному подрядчику, а также не допускайте того, чтобы дети находились вблизи места установки изделия.

Неправильная установка кронштейна для настенной установки или телевизора может стать причиной перечисленных ниже несчастных случаев. Для выполнения установки обязательно обратитесь к лицензированному подрядчику.

- Телевизор может упасть и стать причиной получения серьезных травм, например ушибов или переломов.
- Если стена, на которой выполняется установка кронштейна для настенной установки, неустойчивая, неровная или не вертикальная, изделие может упасть и получить повреждения или стать причиной травм или повреждения имущества. Стена должна быть достаточно прочной, чтобы выдержать вес, как минимум в шесть раз превышающий вес телевизора. (Вес вашего телевизора указан в «Справочник».)

- Если установка кронштейна для настенной установки выполняется на недостаточно прочной стене, изделие может упасть и получить повреждения или стать причиной травм или повреждения имущества.

Меры предосторожности в отношении детей

- Не позволяйте детям взбираться на телевизор.
- Храните мелкие детали вне досягаемости детей, чтобы они не могли случайно проглотить их.

Для перемещения или демонтажа телевизора обязательно обратитесь к лицензированным подрядчикам.

Если транспортировка или демонтаж телевизора выполняется не лицензированными подрядчиками, он может упасть и стать причиной травм или повреждения имущества. Убедитесь, что перенос или демонтаж телевизора осуществляется двумя или более лицами (три или более человек для телевизора с диагональю 75 дюймов и больше).

После монтажа телевизора не внимайте винты и т. д.

В противном случае телевизор может упасть и стать причиной травм или повреждения имущества.

Не разбирайте и не меняйте детали кронштейна для настенной установки.

В противном случае кронштейн для настенной установки может упасть и стать причиной травм или повреждения имущества.

Не устанавливайте на кронштейн какое-либо другое оборудование, кроме указанного.

Этот кронштейн для настенной установки предназначен для использования только с указанными изделиями. Если на данном монтажном кронштейне крепится оборудование, не предназначенное для такой установки, оно может упасть или получить повреждения, а также может стать причиной травм или повреждения имущества.

RU

Во избежание перегрузки кронштейна для настенной установки не устанавливайте на нем ничего, кроме телевизора.

Не трясите телевизор влево/вправо, вверх/вниз.

В противном случае телевизор может упасть и стать причиной травм или повреждения имущества.

Не опирайтесь на телевизор и не держитесь за него.

Не опирайтесь на телевизор и не держитесь за него, так как он может упасть и стать причиной получения серьезных травм.

ВНИМАНИЕ

При несоблюдении следующих мер предосторожности существует вероятность получения травм или повреждения имущества.

- Соблюдайте осторожность, чтобы не прищемить пальцы при обращении с кронштейном для настенной установки или повороте телевизора.
- При повороте телевизора обращайтесь с ним осторожно, чтобы не задеть никого поблизости.
- Обязательно сохраните в безопасном месте неиспользованные детали для использования в дальнейшем. Храните их вне досягаемости детей.

Чистку устройства или уход за ним необходимо осуществлять, не прикладывая чрезмерных усилий.

Не перегружайте верхнюю часть телевизора. В противном случае телевизор может упасть и стать причиной травм или повреждения имущества.

Меры предосторожности

- Если телевизор, установленный на кронштейне для настенной установки и используется в течение длительного времени, то в зависимости от материала стены позади него или над ним могут выцвести стены или отстать обои.
- После демонтажа кронштейна для настенной установки в стене останутся отверстия.
- Не используйте кронштейн для настенной установки в местах с механическими вибрациями.

Порядок установки кронштейна для настенной установки

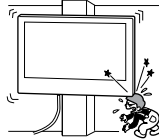
Для дилеров Sony

ПРЕДУПРЕЖДЕНИЕ

Следующие инструкции предназначены только для дилеров Sony. Обязательно прочтите правила техники безопасности и соблюдайте особые меры предосторожности во время установки, обслуживания и проверки данного изделия.

Не устанавливайте кронштейн для настенной установки на таких стенах, где края телевизора будут выступать за края стены.

Не устанавливайте кронштейн для настенной установки на таких поверхностях стен (например, на колоннах), где края телевизора будут выступать за края поверхности стены. Задев за выступающие края телевизора, можно получить травму или повредить имущество.

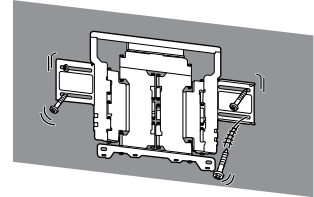


Не устанавливайте телевизор под кондиционером или над ним.

Если в течение продолжительного промежутка времени телевизор подвержен воздействию конденсата или потока воздуха из кондиционера, это может стать причиной возгорания телевизора, поражения электрическим током или неисправности телевизора.

Обязательно надежно прикрепите кронштейн для настенной установки к стене, следуя инструкциям, приведенным в настоящем руководстве.

Если какой-либо из винтов ослаблен или выпал, кронштейн для настенной установки может упасть и стать причиной травм или повреждения имущества. Используйте винты, соответствующие материалу стены, и надежно закрепите устройство с помощью четырех винты диаметром 8 мм (или аналогичными).



Обязательно используйте входящие в комплект винты и детали для крепления и строго следуйте инструкциям, приведенным в данном руководстве по установке. Если при установке были использованы иные крепежные материалы, телевизор может упасть и получить повреждения или стать причиной травм.

Обязательно выполняйте сборку кронштейна, точно следуя инструкциям, изложенным в настоящем руководстве по установке.

Если какой-либо из винтов ослаблен или выпал, телевизор может упасть и получить повреждения или стать причиной получения травм.

Надежно затяните винты в предназначенных для них крепежных отверстиях.

В противном случае, телевизор может упасть и получить повреждения или стать причиной травм.

Следите за тем, чтобы во время установки телевизор не подвергался воздействию толчков.

Толчки могут вызвать падение и порчу телевизора. Это может привести к травме.

Устанавливайте телевизор на стене только в том случае, если она плоская и расположена под прямым углом к полу.

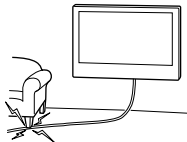
В противном случае телевизор может упасть и стать причиной травм.

После надлежащей установки телевизора обеспечьте безопасное расположение кабелей.

Кабели, представляющие препятствия для людей и объектов, могут стать причиной получения серьезных травм или повреждения телевизора.

Не допускайте заземления кабеля питания и соединительных кабелей.

Если кабель питания или соединительный кабель будет зажат между устройством и стеной или с силой изогнут или перекручен, то изоляция внутренних проводов может быть нарушена, что может стать причиной короткого замыкания или обрыва. Это может вызвать возгорание или привести к поражению электрическим током.



Винты, крепящие кронштейны для настенной установки к стене, в комплект поставки не входят.

При монтаже кронштейна для настенной установки используйте винты, соответствующие материалу и структуре стены.

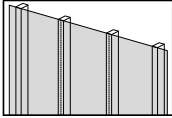
Изделия должны храниться в картонной упаковке в темном, сухом, чистом и хорошо вентилируемом помещении в удалении от мест хранения кислот и щелочей. Температура хранения: от -20 C до + 60 C. Влажность хранения: <80%.

Перед началом работы

Прежде всего проверьте тип стены, на которую устанавливается телевизор.

Каков материал стены?

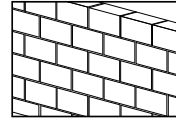
Стена из гипсокартона со стойками



Меры предосторожности

- Максимальная толщина сухой стены: 16 мм.
- Убедитесь, что внутренний размер деревянного стержня не менее 51 x 102 мм в качестве стандартного или 38 x 89 мм в качестве номинального.
- Между крепежами обеспечьте по горизонтали не менее 406 мм свободного места.

Монолитная бетонная конструкция или бетонный блок



Меры предосторожности

- Устанавливайте кронштейн для настенной установки непосредственно на сплошную бетонную стену.
- Убедитесь, что толщина сплошной бетонной стены составляет не менее 203 мм.
- Убедитесь, что размер каждого бетонного блока составляет не менее 203 x 203 x 406 мм.

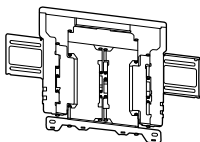

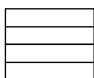

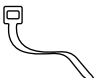
Подготовка к установке

- Во время установки справочник и руководство по установке телевизора всегда должны быть под рукой.
- Выберите место установки телевизора.
- Подготовьте четыре шурупа диаметром 8 мм и четыре соответствующие шайбы (не входят в комплект). Выберите винты в соответствии с материалом стены.

Проверка комплектации

Прилагается к SU-WL850

- Проверьте комплектность товара.



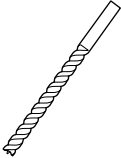
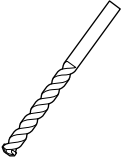
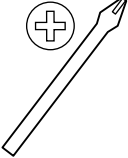




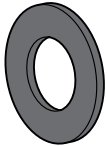

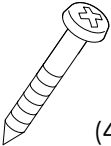
А WM1 (1) 	В WM2 (1) 
С WM3 (4) 	Д M6 (4) 
Е WT1 (6) 	

Прилагается к телевизору

VS Крепление для настенной установки (4) 
--



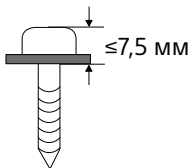
Необходимые инструменты

*1 		 5,5 мм	 10 мм 
*2 		 1,5 Н·м {15 кгс·см}	
*3  (4)	*2  (4)	*3  (4) 8 мм x 60 мм	

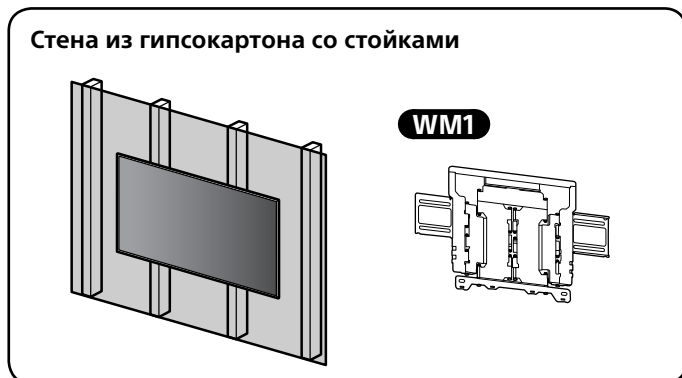
*1 Только для гипсокартона с дюбелями

*2 Только для полнотелого бетона или бетонных блоков

*3 Обратите внимание на выбор винтов и шайб



А Установка телевизора на стене из гипсокартона со стойками

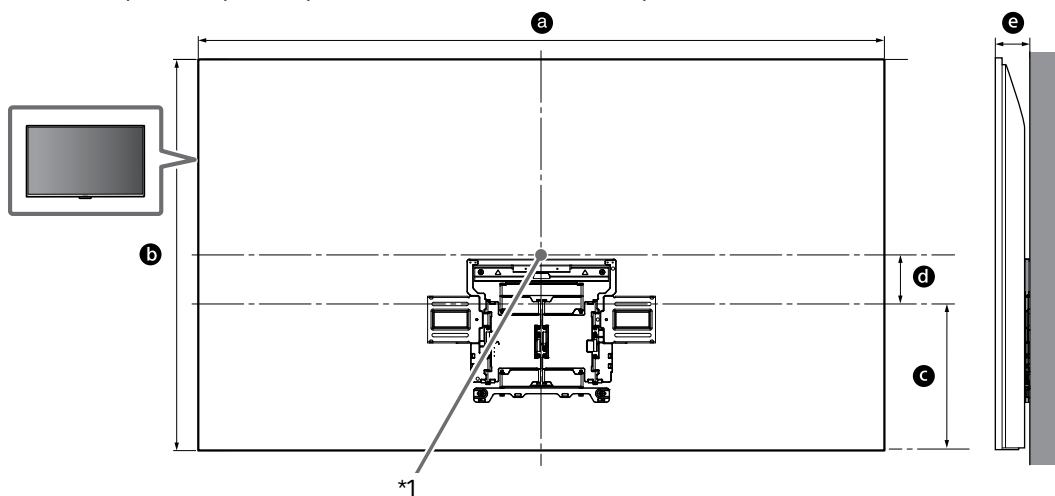


Монтаж кронштейна для настенной установки на стену

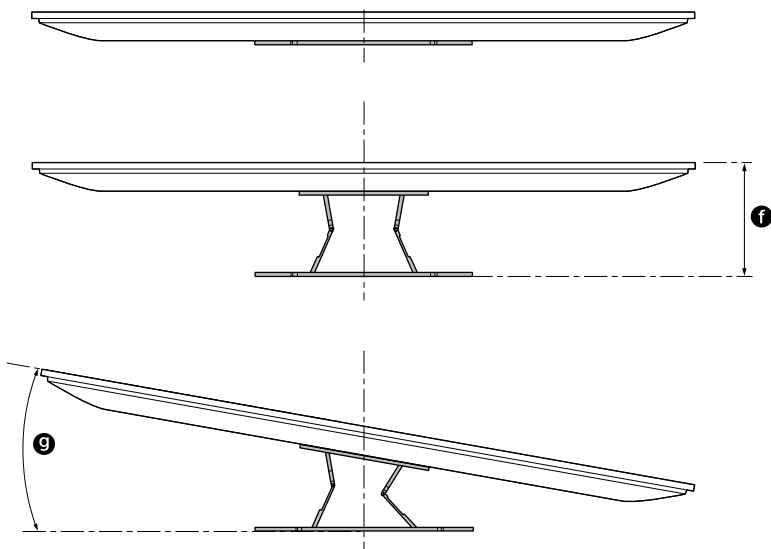
1 Определите местоположение для установки.

Убедитесь, что на стене достаточно места для телевизора и что она способна выдержать вес, как минимум в шесть раз превышающий его вес.

См. следующую таблицу по установке телевизора на стену. См. Справочное руководство телевизора для просмотра сведений о весе телевизора.



RU



(мм)

Название модели	a	b	c	d	e	f*2	g*2 (°)
KD-75XH80xx	1686	969	364	123	86	288	15
KE-75XH80xx							
KD-65XH81xx	1462	841	365	59	83	287	18
KE-65XH81xx							
KD-65XH80xx							
KE-65XH80xx	1243	718	365	3	83	287	20
KD-55XH81xx							
KE-55XH81xx							
KD-55XH80xx							
KE-55XH80xx							

Таблица размеров для установки телевизора (мм)

Рисунки в таблице могут немного отличаться в зависимости от установки.

*1 (Центральная точка экрана)

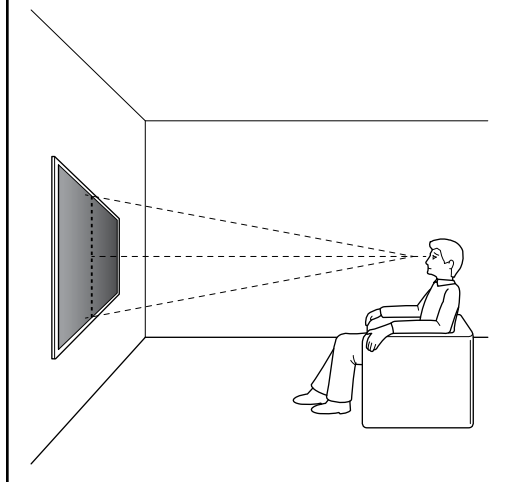
*2 (Прибл.)

Примечание

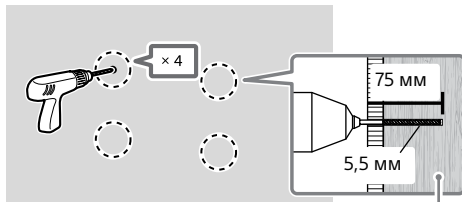
- При установке телевизора на стену верхняя часть телевизора слегка наклоняется вперед.

Примечание

- Рекомендуется проверить расположение телевизора с места просмотра.



4 Просверлите верхние установочные отверстия в местах отметок.

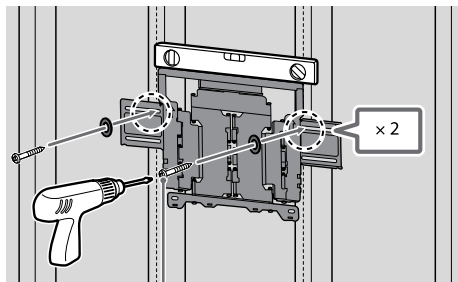


Стойка или укрепление

Примечание

- Установочные отверстия необходимо просверлить на глубину 75 мм, используя головку сверла диаметром 5,5 мм.

5 Установите **WM1** на стену и закрепите подходящими винтами (не входит в комплект) и шайбами (не входит в комплект).



8 мм × 60 мм

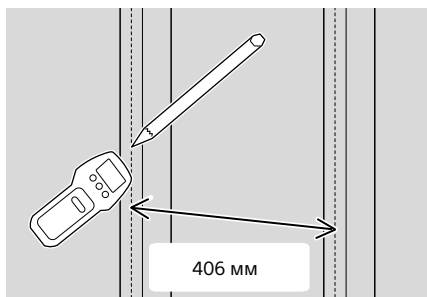
Примечание

- Проверьте горизонтальность **WM1** с помощью уровня.

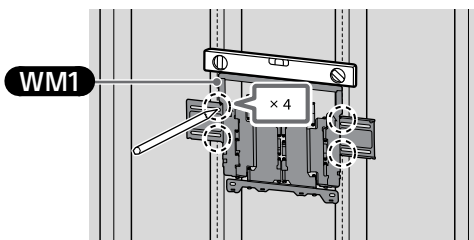
Меры предосторожности

- Не перетягивайте деревянные винты 8 мм × 60 мм. Неверная затяжка может привести к снижению силы фиксации деревянного винта 8 мм × 60 мм.

2



3 Расположите **WM1** на стене и сделайте четыре отметки, совмещенные со стойками.

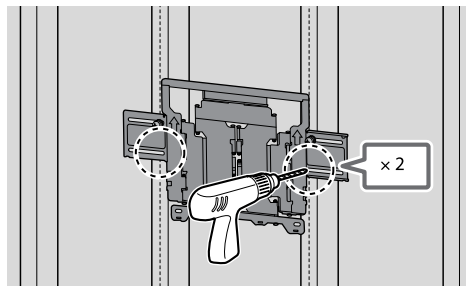


Примечание

- Проверьте горизонтальность **WM1** с помощью уровня.

RU

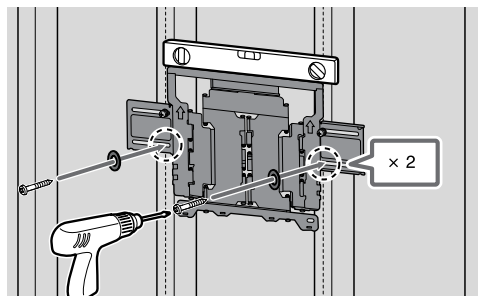
- 6 Просверлите нижние установочные отверстия в местах отметок. (Инструкции по сверлению см. в шаге 4.)



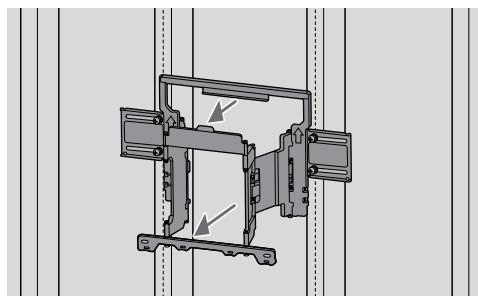
- 7 Вставьте в отверстия подходящие винты и шайбы.

Примечание

- Проверьте горизонтальность кронштейна для настенной установки с помощью уровня.

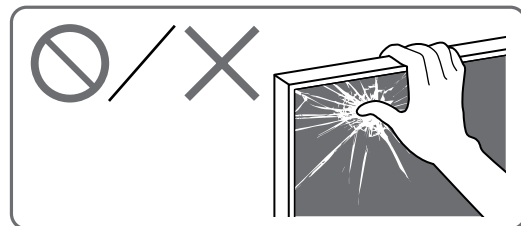


- 8 Полностью выдвиньте консоль кронштейна.

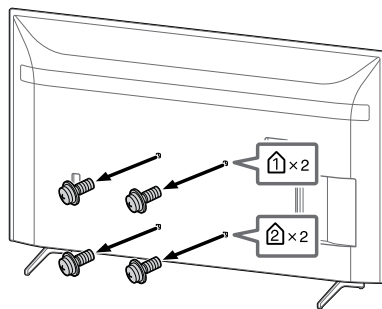


Подготовка к установке телевизора

Перед установкой телевизора на стену обязательно подсоедините настольную подставку (см. руководство по установке).



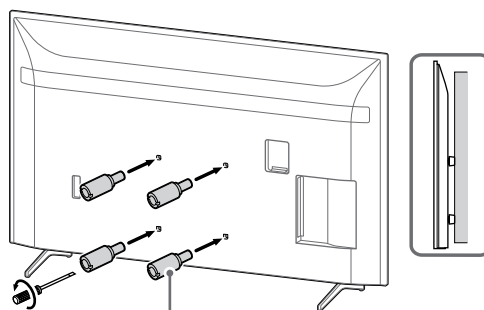
- 1 Извлеките винты из задней панели телевизора.



Примечание

- Храните извлеченные винты и неиспользуемые детали в надежном недоступном для детей месте.

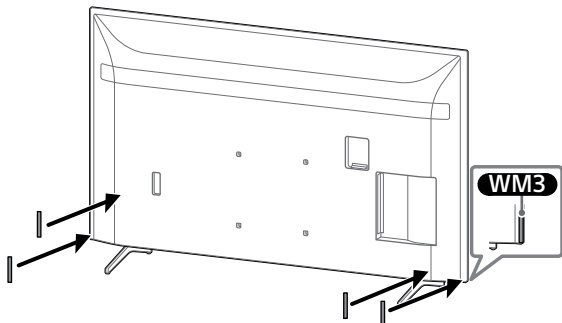
- 2 Прикрепите детали кронштейна для настенной установки (поставляемые вместе с телевизором) к задней панели телевизора (параллельно стене).



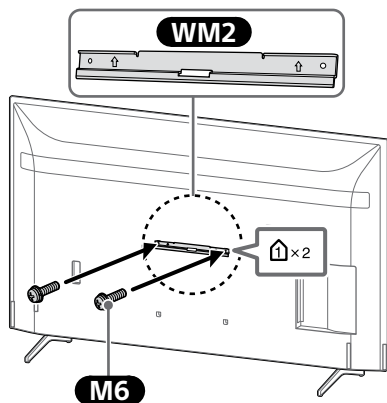
1,5 Н·м
{15 кгс·см}

VS

3 Прикрепите WM3.

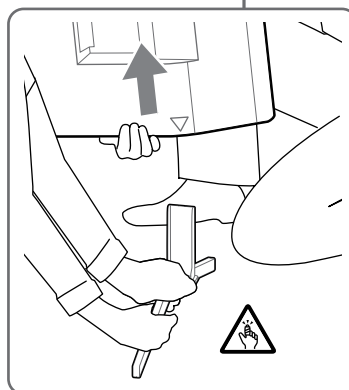
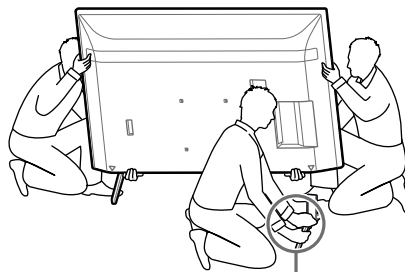


4 Прикрепите телевизор к WM2 с помощью M6.



5 Отсоедините настольную подставку от телевизора.

- Извлекайте стороны настольной подставки поочередно. Крепко удерживайте настольную подставку двумя руками, пока другие приподнимают телевизор.

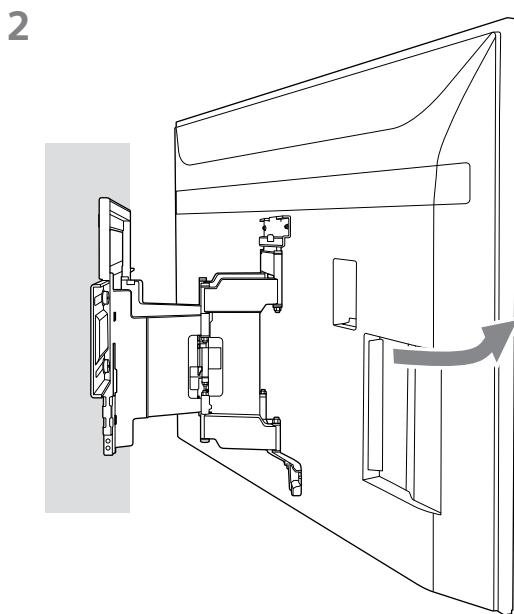
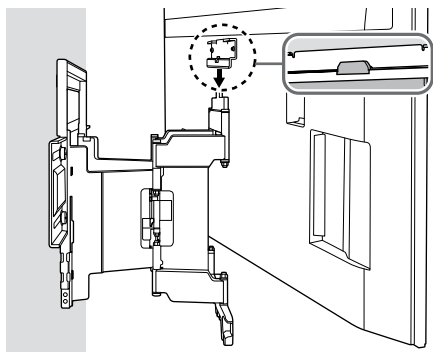
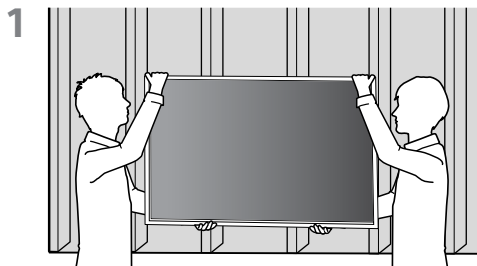


- Повторите указанное действие и извлеките другую сторону настольной подставки.

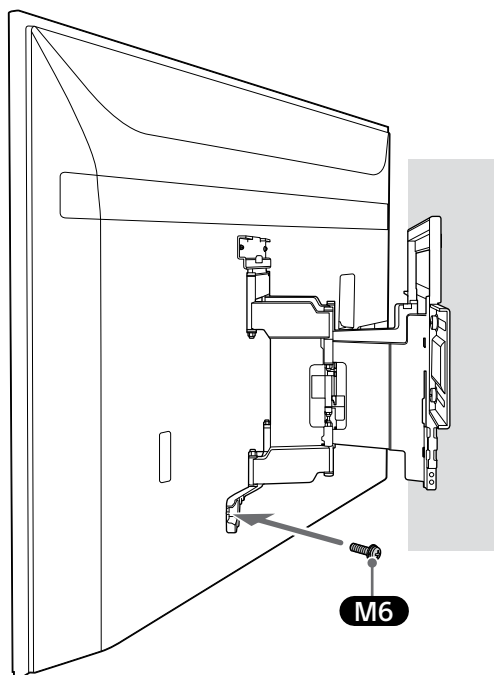
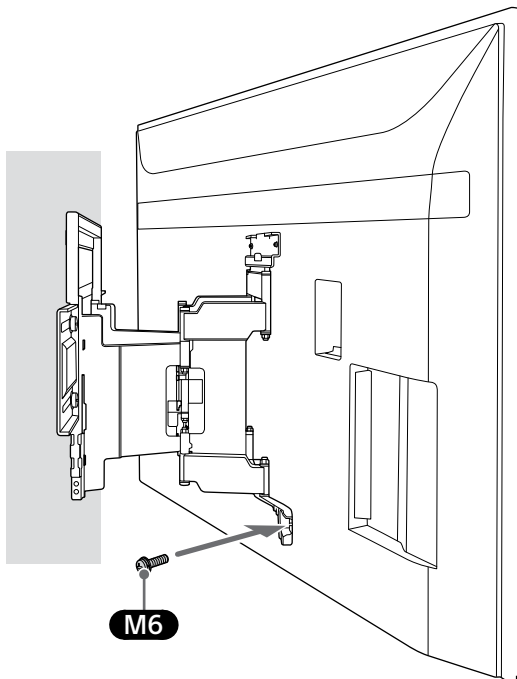
Примечание

- Для отсоединения настольной подставки необходимо три или более человека.
- Будьте осторожны и не используйте чрезмерную силу при отсоединении настольной подставки от телевизора, так как это может привести к падению телевизора и травмированию кого-либо или повреждению телевизора.
- Будьте осторожны при обращении с настольной подставкой, чтобы предотвратить повреждение телевизора.
- Будьте осторожны при поднятии телевизора, так как настольная подставка может отсоединиться и упасть, что может привести к травме.
- Будьте осторожны при отсоединении настольной подставки от телевизора во избежание опрокидывания устройства и повреждения поверхности, на которой расположен телевизор.

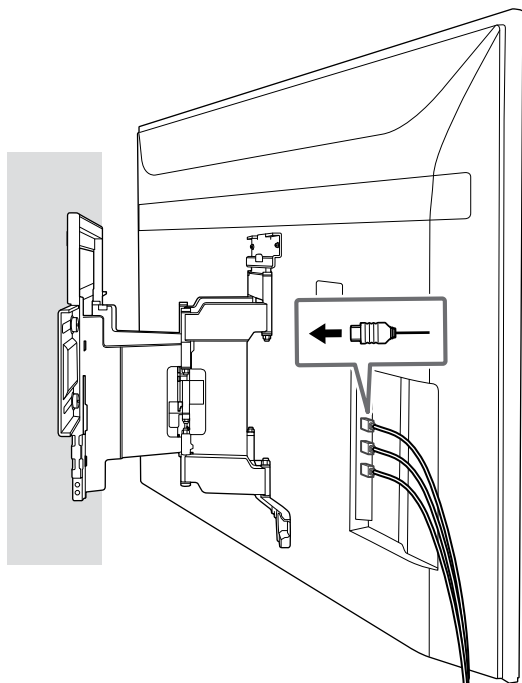
Установка телевизора на стену



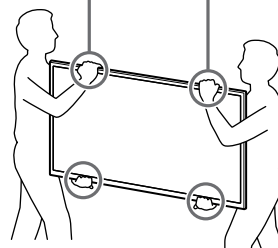
3 Затяните левую и правую стороны кронштейна для настенной установки.



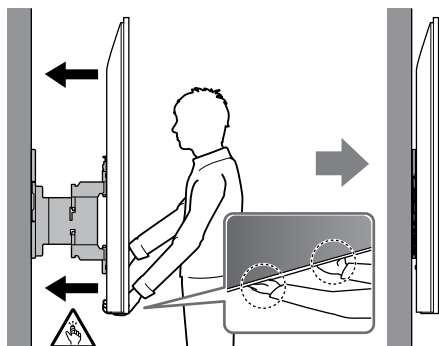
4

**ПРЕДУПРЕЖДЕНИЕ**

- Убедитесь, что телевизор удерживают два или более человек (три или более человек для телевизора с диагональю 75 дюймов и больше) при его переносе.



5 При перемещении телевизора удерживайте его за нижнюю часть.

**Проверка выполнения установки**

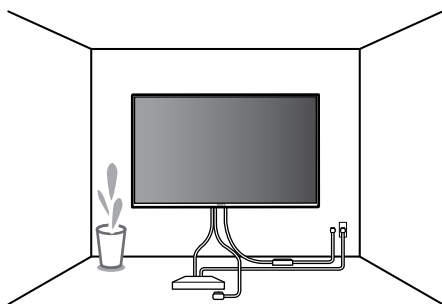
Проверьте следующие пункты.

- Шнур и кабель не перекручены и не защемлены.

ПРЕДУПРЕЖДЕНИЕ

- Неправильное расположение кабеля питания и т. д. может привести к возгоранию или поражению электрическим током в результате короткого замыкания. Для обеспечения безопасности убедитесь в том, что все пункты установки выполнены.

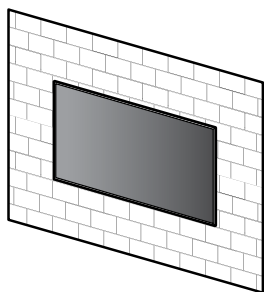
6



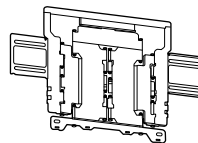
RU

В Установка кронштейна для настенной установки на монолитной бетонной конструкции или бетонном блоке

Монолитная бетонная конструкция или бетонный блок



WM1

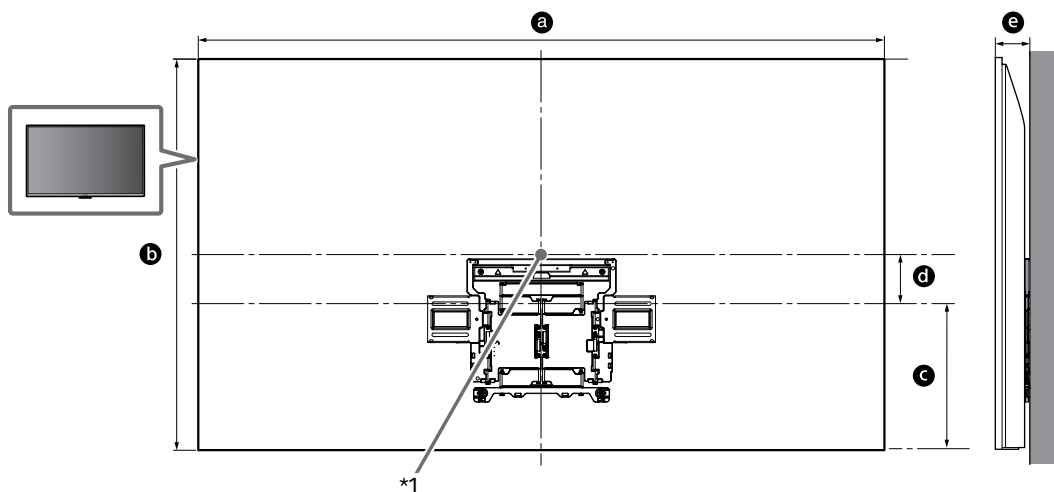


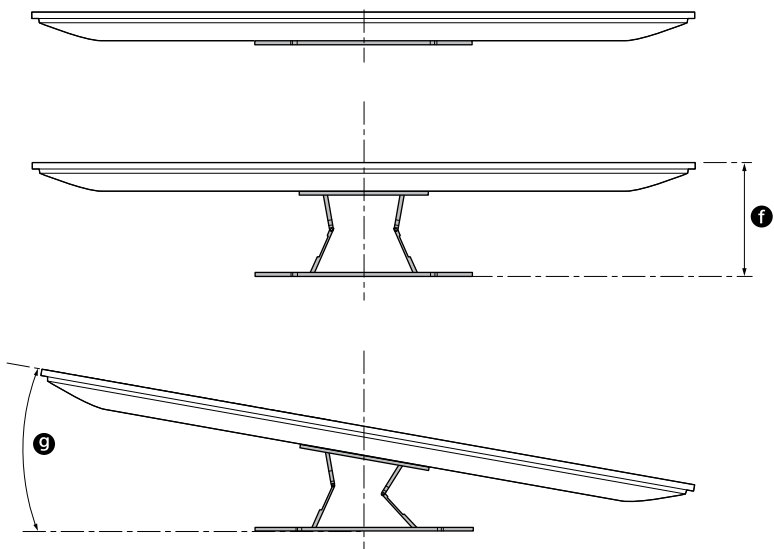
Монтаж кронштейна для настенной установки на стену

1 Определите местоположение для установки.

Убедитесь, что на стене достаточно места для телевизора и что она способна выдержать вес, как минимум в шесть раз превышающий его вес.

См. следующую таблицу по установке телевизора на стену. См. Справочное руководство телевизора для просмотра сведений о весе телевизора.





(мм)

Название модели	a	b	c	d	e	f*2	g*2 (°)
KD-75XH80xx	1686	969	364	123	86	288	15
KE-75XH80xx							
KD-65XH81xx	1462	841	365	59	83	287	18
KE-65XH81xx							
KD-65XH80xx							
KE-65XH80xx	1243	718	365	3	83	287	20
KD-55XH81xx							
KE-55XH81xx							
KD-55XH80xx							
KE-55XH80xx							

Таблица размеров для установки телевизора (мм)

Рисунки в таблице могут немного отличаться в зависимости от установки.

*1 (Центральная точка экрана)

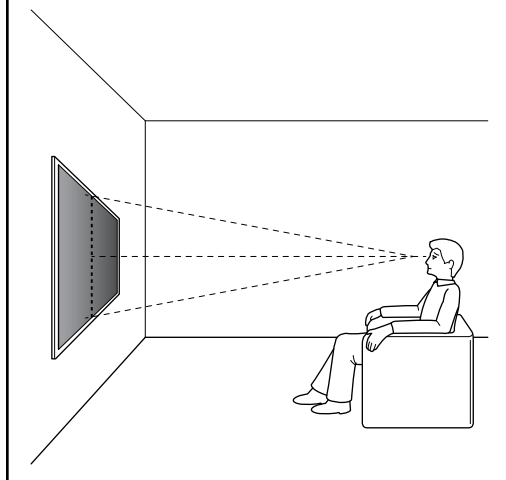
*2 (Прибл.)

Примечание

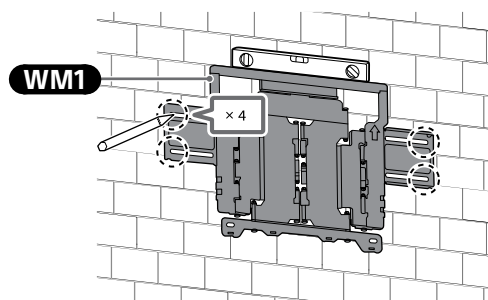
- При установке телевизора на стену верхняя часть телевизора слегка наклоняется вперед.

Примечание

- Рекомендуется проверить расположение телевизора с места просмотра.



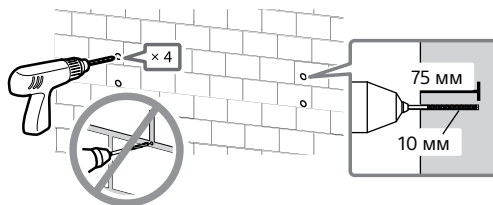
- 2 Выверните **WM1** по стене и нанесите четыре метки.



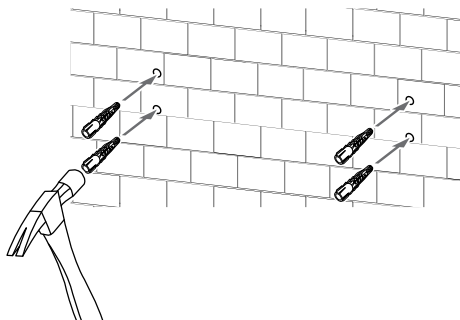
Примечание

- Проверьте горизонтальность **WM1** с помощью уровня.

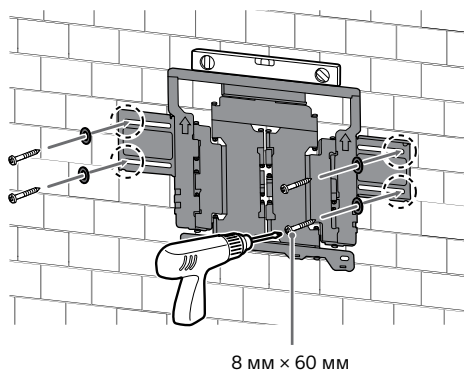
- 3 Просверлите опорные отверстия по нанесенным меткам.



4



- 5 Установите **WM1** на стену и закрепите подходящими винтами (не входит в комплект) и шайбами (не входит в комплект).



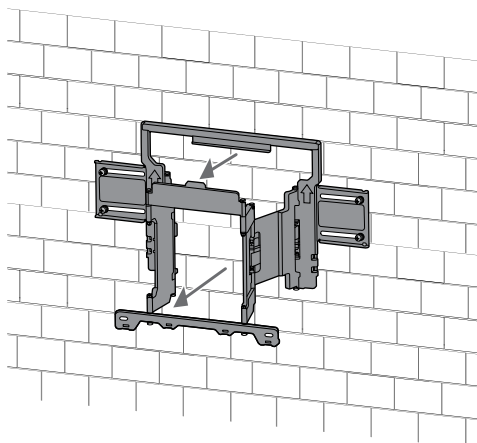
Примечание

- Проверьте горизонтальность кронштейна для настенной установки с помощью уровня.

Меры предосторожности

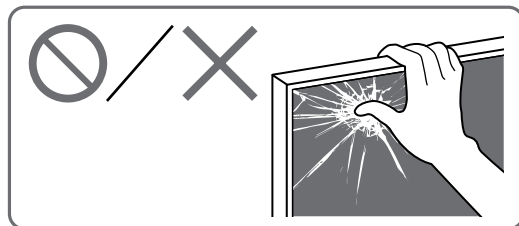
- Не перетягивайте деревянные винты 8 мм x 60 мм. Неверная затяжка может привести к снижению силы фиксации деревянного винта 8 мм x 60 мм.

- 6 Полностью выдвиньте консоль кронштейна.

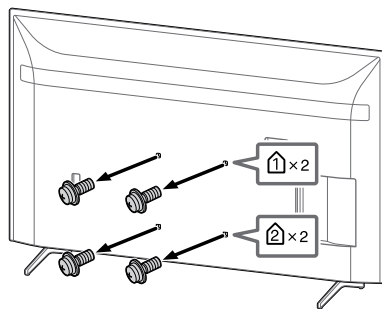


Подготовка к установке телевизора

Перед установкой телевизора на стену обязательно подсоедините настольную подставку (см. руководство по установке).



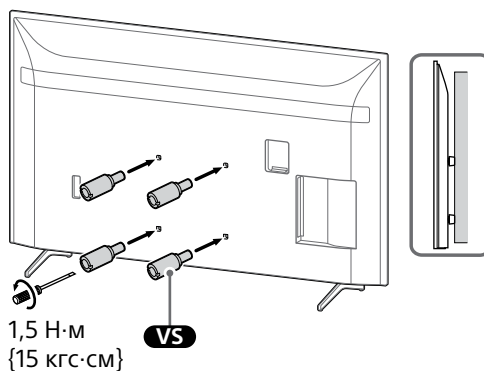
- 1 Извлеките винты из задней панели телевизора.



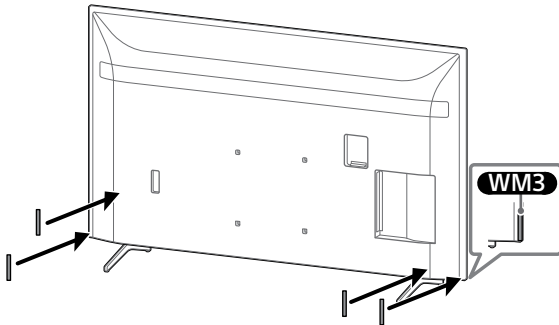
Примечание

- Храните извлеченные винты и неиспользуемые детали в надежном недоступном для детей месте.

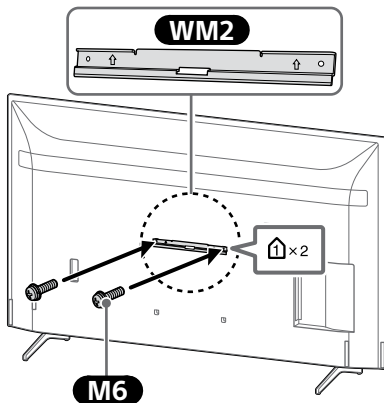
- 2 Прикрепите детали кронштейна для настенной установки (поставляемые вместе с телевизором) к задней панели телевизора (параллельно стене).



3 Прикрепите WM3.

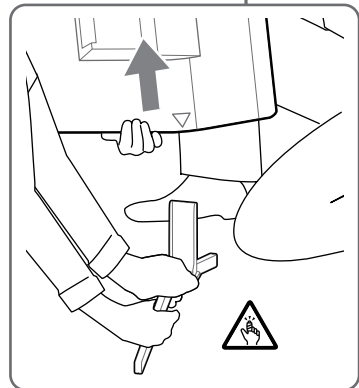
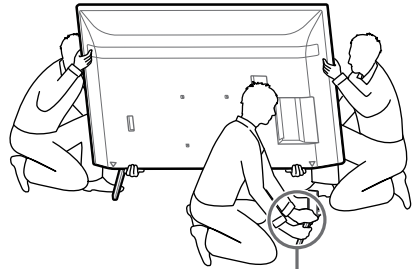


4 Прикрепите телевизор к WM2 с помощью M6.



5 Отсоедините настольную подставку от телевизора.

- Извлекайте стороны настольной подставки поочередно. Крепко удерживайте настольную подставку двумя руками, пока другие приподнимают телевизор.

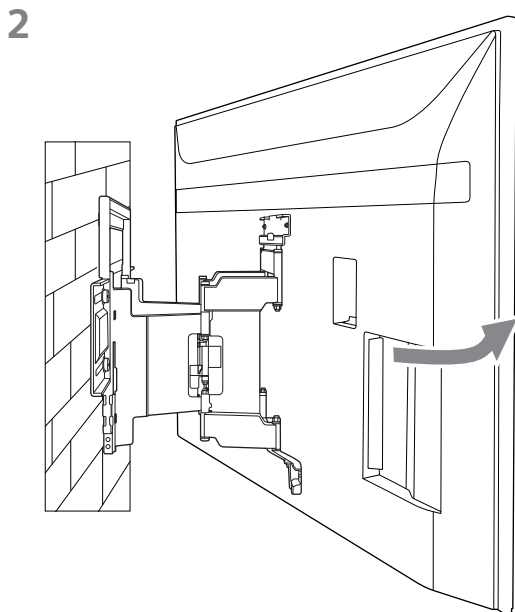
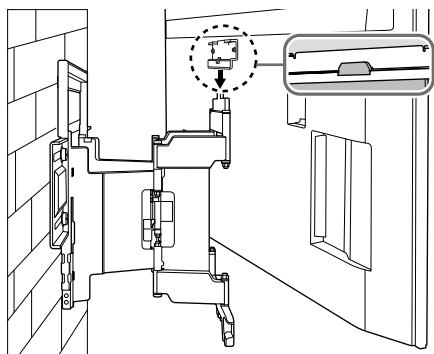
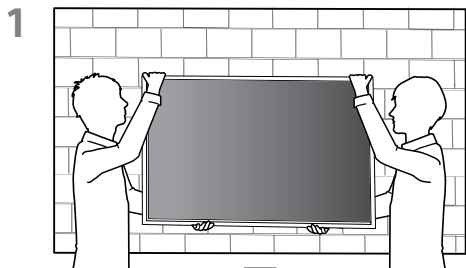


- Повторите указанное действие и извлеките другую сторону настольной подставки.

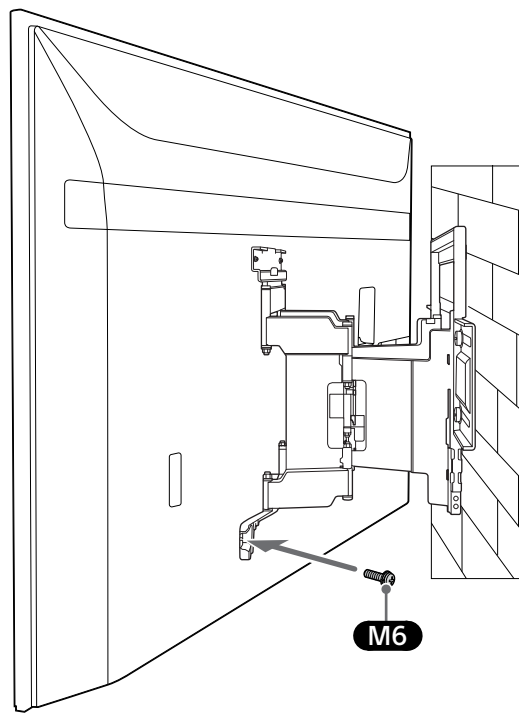
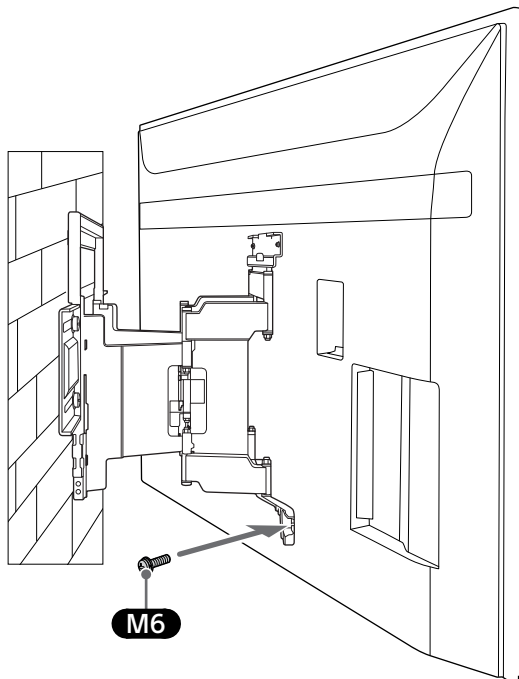
Примечание

- Для отсоединения настольной подставки необходимо три или более человека.
- Будьте осторожны и не используйте чрезмерную силу при отсоединении настольной подставки от телевизора, так как это может привести к падению телевизора и травмированию кого-либо или повреждению телевизора.
- Будьте осторожны при обращении с настольной подставкой, чтобы предотвратить повреждение телевизора.
- Будьте осторожны при поднятии телевизора, так как настольная подставка может отсоединиться и упасть, что может привести к травме.
- Будьте осторожны при отсоединении настольной подставки от телевизора во избежание опрокидывания устройства и повреждения поверхности, на которой расположен телевизор.

Установка телевизора на стену

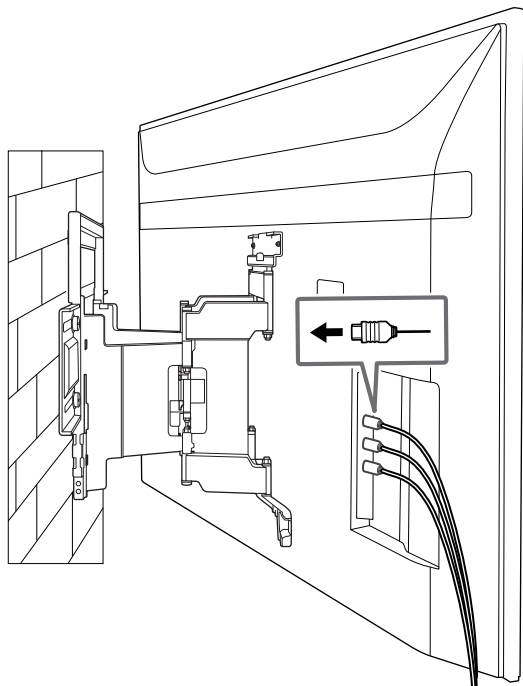


3 Затяните левую и правую стороны кронштейна для настенной установки.



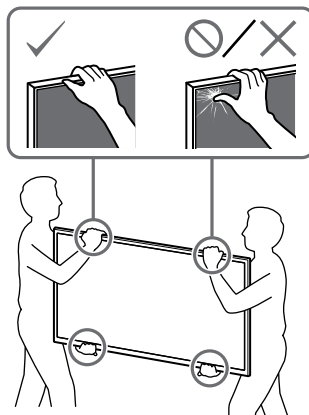
RU

4

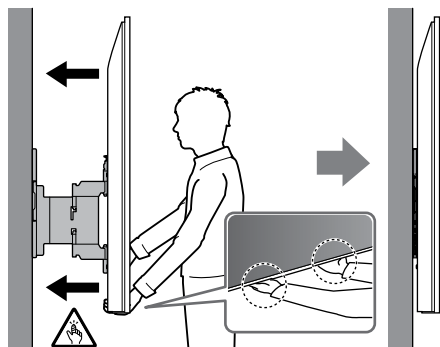


ПРЕДУПРЕЖДЕНИЕ

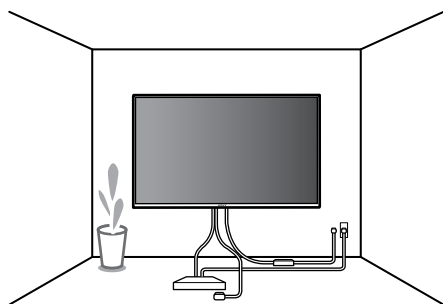
- Убедитесь, что телевизор удерживают два или более человек (три или более человек для телевизора с диагональю 75 дюймов и больше) при его переносе.



5 При перемещении телевизора удерживайте его за нижнюю часть.



6



Проверка выполнения установки

Проверьте следующие пункты.

- Шнур и кабель не перекручены и не заземлены.

ПРЕДУПРЕЖДЕНИЕ

- Неправильное расположение кабеля питания и т. д. может привести к возгоранию или поражению электрическим током в результате короткого замыкания. Для обеспечения безопасности убедитесь в том, что все пункты установки выполнены.

Прочая информация

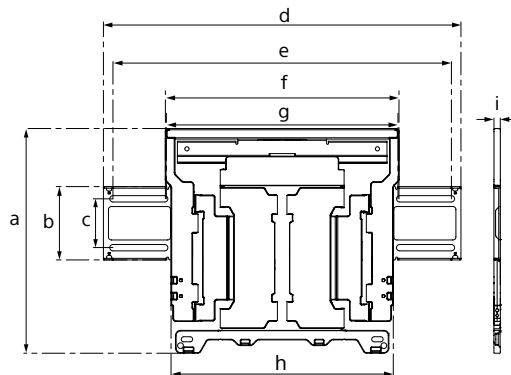
При снятии телевизора выполните описанную выше процедуру в обратной последовательности.

ПРЕДУПРЕЖДЕНИЕ

- Убедитесь, что монитор удерживают два или более человек (три или более человек для телевизора с диагональю 75 дюймов и больше) при его снятии.

Технические характеристики

WM1



Размеры: (прибл.) [мм]

- a : 354
- b : 116
- c : 77
- d : 563
- e : 533
- f : 370
- g : 368
- h : 350
- i : 11

Вес (только основание): (прибл.) [кг]

3,0

Конструкция и характеристики могут быть изменены без предварительного уведомления.

RU

Інформація зі встановлення з використанням кронштейна для настінного кріплення Sony (SU-WL850)

Моделі, що підтримуються*:

KD-75XH80xx / 65XH81xx / 65XH80xx / 55XH81xx / 55XH80xx

KE-75XH80xx / 65XH81xx / 65XH80xx / 55XH81xx / 55XH80xx

* Позначка «xx» відповідає індивідуальними цифрам та/або символам, які присутні в номерах окремих моделей.

До уваги споживачів

Для захисту виробу та з міркувань безпеки компанія Sony настійно рекомендує, щоб встановлення телевізора здійснювалося дилерами або ліцензованими підрядниками Sony. Не намагайтеся встановити його самостійно.

Інформація для дилерів і підрядників Sony

Приділяйте максимальну увагу безпеці під час встановлення, періодичного обслуговування та перевірки виробу.

Для встановлення цього виробу, особливо для визначення міцності стіни, яка повинна витримувати вагу телевізора, необхідно мати достатній досвід. Довіряйте виконання монтажу тільки дилерам чи ліцензованим підрядникам Sony та приділяйте належну увагу безпеці під час встановлення. Компанія Sony не несе жодної відповідальності за збитки й травми, викликані неправильною експлуатацією чи встановленням.

Для безпечного та правильного встановлення слід дотримуватись інструкції з експлуатації кронштейну для настінного кріплення, посібника із налаштування телевізора та вказівок цього керівництва.

Кронштейн для настінного кріплення

Відомості з безпеки

Дякуємо за придбання цього виробу.

До уваги споживачів

Встановлення телевізора на стіні



ЗАСТЕРЕЖЕННЯ

ДОРУЧАЙТЕ ВСТАНОВЛЕННЯ ПРОФЕСІОНАЛАМ

Цей виріб має бути встановлений фахівцем, який уміє визначати міцність стіни, що повинна витримувати вагу телевізора. Неправильно закріплений телевізор може впасти і завдати важкої травми. Компанія Sony не несе жодної відповідальності за збитки і травми, спричинені неправильним використанням чи встановленням цього виробу, а також застосуванням виробів, відмінних від вказаного. Це не стосується ваших прав передбачених законом (якщо такі є).

До уваги дилерів компанії Sony

Для встановлення цього виробу необхідно мати достатні знання та навички. Обов'язково уважно прочитайте цей посібник, щоб безпечно виконати роботи з монтажу. Компанія Sony не несе відповідальності за шкоду та травми, що виникли через неправильне поводження або неналежно виконаний монтаж. Після встановлення передайте цей посібник споживачу.

У цьому посібнику з експлуатації описано правильне поводження з виробом, а також наведено важливі застережні заходи, необхідні для уникнення нещасних випадків. Уважно прочитайте всі інструкції в цьому посібнику й ретельно виконуйте їх. Недотримання цієї вимоги може спричинити тяжку травму, серйозне пошкодження майна й ануляцію гарантії. Зберігайте цей посібник для перегляду в майбутньому.

Під час розробки продуктів Sony безпека стоїть на першому місці. Однак, неправильне поводження з виробами може призвести до серйозних травм унаслідок пожежі, ураження електричним струмом, перекидання виробу чи його падіння. Щоб запобігти таким випадкам, обов'язково дотримуйтеся правил техніки безпеки.

Дата виготовлення зазначена на виробіта упаковці на етикетці з штрих-кодом у наступному форматі YYYY/MM, де YYYY - рік, MM - місяць виготовлення.

Виробник: Соні Корпорейшн,
1-7-1 Конан Мінато-ку Токіо,
108-0075 Японія
Зроблено в Китаї

ПОПЕРЕДЖЕННЯ

Зазначені вироби

Цей кронштейн для настінного кріплення призначено для використання лише з телевізорами, зазначеними для даного виробу. Інформацію щодо можливості використання кронштейна для настінного кріплення дивіться в «Довідковий посібник» до відповідних моделей телевізора.

До уваги споживачів

ЗАСТЕРЕЖЕННЯ

Якщо не дотримуватися наведених нижче застережних заходів, можливі серйозні травми чи смерть унаслідок пожежі, ураження електричним струмом чи падіння виробу.

Обов'язково доручіть установлення підрядникам, які мають ліцензію, та слідкуйте за тим, щоб під час монтажу поряд не було дітей.

Якщо кронштейн для настінного кріплення або телевізор установлено неправильно, можуть статися наведені нижче нещасні випадки. Монтаж має виконувати підрядники, які мають ліцензію.

- Телевізор може впасти та призвести до таких серйозних травм, як синець або перелом.
- Якщо стіна, на яку встановлюється кронштейн для настінного кріплення, нестабільна, нерівна або неперпендикулярна підлозі, кронштейн може впасти та стати причиною травмування або пошкодження майна. Стіна повинна бути в змозі витримати вагу, щонайменше в шість разів більшу за вагу телевізора. (Вагу телевізора можна дізнатися в «Довідковий посібник».)
- Якщо кронштейн для настінного кріплення встановлюється на стіні недостатньо надійно, кронштейн може впасти та стати причиною травмування або пошкодження майна.

Щодо дітей

- Не дозволяйте дітям залазити на телевізор.
- Тримайте малі деталі поза доступом дітей, щоб діти їх випадково не проковтнули.

Обов'язково доручіть переміщення або демонтування телевізора підрядниками, які мають ліцензію.

Якщо переміщення або демонтування телевізора виконуватимуть інші особи, окрім підрядників, які мають ліцензію, телевізор може впасти та стати причиною травмування або пошкодження майна. Перенесення або демонтаж телевізора повинні здійснювати щонайменше двоє людей (щонайменше троє, якщо діагональ телевізора складає 75 дюймів або більше).

Не викручуйте гвинти, тощо, після монтування телевізора.

Якщо зробити це, телевізор може впасти та завдати серйозних травм чи призвести до пошкодження майна.

Не змінюйте деталі кронштейна для настінного кріплення.

Якщо зробити це, кронштейн для настінного кріплення може впасти та завдати серйозних травм чи призвести до пошкодження майна.

Не встановлюйте ніяких інших пристроїв, крім зазначеного виробу.

Цей кронштейн для настінного кріплення призначено для використання лише із зазначеним виробом. У випадку встановлення інших пристроїв, крім зазначених, вони можуть впасти чи зламатися та завдати серйозних травм чи призвести до пошкодження майна.

Не застосовуйте до кронштейна для настінного кріплення інші навантаження, окрім телевізора. Не розхитуйте телевізор уліво/вправо чи вгору/вниз.

Якщо зробити це, телевізор може впасти та завдати серйозних травм чи призвести до пошкодження майна.

Не спирайтеся на телевізор і не чіпляйтеся за нього.

Не спирайтеся на телевізор і не чіпляйтеся за нього, оскільки він може впасти на вас та завдати серйозних травм.

UA

ПОПЕРЕДЖЕННЯ

Якщо не дотримуватися наведених нижче застережних заходів, це може призвести до серйозних травм чи пошкодження майна.

- Пильнуйте, щоб не защемити пальці під час регулювання кронштейна для настінного кріплення або зміни кута нахилу телевізора.
- Розвертайте телевізор обережно, щоб не зачепити того, хто перебуває поруч.
- Зберігайте деталі, що не використовуються, у безпечному місці. Тримайте їх у недоступному для дітей місці.

Під час очищення або обслуговування виробу не прикладайте до нього надмірної сили.

Не прикладайте надмірної сили до верхньої частини телевізора. Якщо зробити це, телевізор може впасти та завдати серйозних травм чи призвести до пошкодження майна.

Застережні заходи

- Якщо телевізор, установлений на кронштейн для настінного кріплення, буде використовуватися протягом тривалого часу, залежно від матеріалу, яким вкрита стіна, поверхня стіни за телевізором чи над ним може знебарвитися або від стіни можуть відклеїтися шпалери.
- Якщо кронштейн для настінного кріплення зняти після того, як його було встановлено на стіні, в стіні залишаться отвори від шурупів.
- Не використовуйте кронштейн для настінного кріплення в місцях, де відбувається механічна вібрація.

Встановлення кронштейна для настінного кріплення

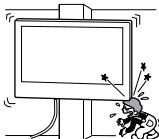
До уваги дилерів компанії Sony

ЗАСТЕРЕЖЕННЯ

Наведені нижче інструкції призначено лише для дилерів компанії Sony. Обов'язково прочитайте застережні заходи, викладені вище, і зверніть особливу увагу на безпеку під час монтажу, обслуговування та перевірки цього виробу.

Не встановлюйте кронштейн для настінного кріплення в місцях на стіні, де краї чи боки телевізора виступають за межі поверхні стіни.

Не встановлюйте кронштейн для настінного кріплення на таких поверхнях, як колони, оскільки в цих місцях краї чи боки виробів виступають за межі поверхні стіни. Якщо людина чи предмет випадково вдарить по куту чи боковій стороні телевізора, які виступають за край стіни, це може спричинити травму або призвести до пошкодження майна.

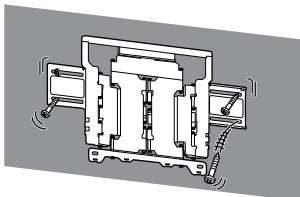


Не встановлюйте телевізор над чи під кондиціонером.

Якщо телевізор протягом тривалого часу зазнає впливу води, що витікає, або потоку повітря з кондиціонера, це може спричинити пожежу, ураження електричним струмом або несправності в роботі телевізора.

Надійно встановлюйте кронштейн для настінного кріплення на стіні відповідно до інструкцій у цьому посібнику з експлуатації.

Якщо гвинти слабо закріплені або випадають, кронштейн для настінного кріплення може впасти і стати причиною травмування або пошкодження майна. Гвинти мають відповідати матеріалу, яким вкрита стіна. Використовуйте тільки такі гвинти, що підходять для матеріалу стіни. Надійно встановіть пристрій за допомогою чотирьох гвинтів діаметром 8 мм (або еквівалентного розміру).



Використовуйте гвинти та допоміжні частини з комплекту постачання належним чином відповідно до інструкцій у цьому посібнику з експлуатації. Використання деталей-замінників може призвести до падіння телевізора та його пошкодження або травмування людей.

Збирайте кронштейн належним чином, дотримуючись процедури, описаної в цьому посібнику з експлуатації.

Якщо гвинти слабо закріплені або випадають, телевізор може впасти та пошкодитися або травмувати людей.

Надійно затягніть гвинти у зазначеному положенні.

Якщо це не зробити, телевізор може впасти та пошкодитися або травмувати людей.

Під час монтажу слід уникати поштовхів у напрямку телевізора.

У разі поштовху телевізор може впасти або розбитися. Це може стати причиною травмування.

Встановлюйте телевізор на перпендикулярній стіні з рівною поверхнею.

Якщо ця умова не виконується, телевізор може впасти та завдати серйозних травм.

Після монтажу телевізора зафіксуйте кабелі належним чином.

Якщо люди або об'єкти заплутаються в кабелях, це може привести до пошкодження телевізора або травмування.

**Слідкуйте за тим, щоб
шнур живлення
змінного струму або
з'єднувальний кабель
не був затиснутий.**

Якщо шнур живлення змінного струму або з'єднувальний кабель затиснений між виробом та стіною або зігнутий чи скручений із прикладанням сили, його внутрішні провідники можуть оголитися й спричинити коротке замикання або пробивання електричного струму. Це може призвести до пожежі або ураження електричним струмом.



**Гвинти, за допомогою
яких кронштейн для
настінного кріплення
кріпиться на стіні, не
входять до комплекту
постачання.**

Під час монтування кронштейна для настійного кріплення використовуйте гвинти відповідно до структури стіни та матеріалу, яким вона вкрита.

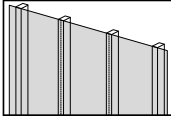
Зберігайте вироби в картонній коробці, у темному, сухому, чистому приміщенні з доброю вентиляцією, окремо від місць зберігання кислот і лугів. Температура зберігання: від -20 до + 60°C. Вологість зберігання: <80%.

Перед початком роботи

Спочатку визначте тип стіни, на якій буде встановлено телевизор.

З якого матеріалу виготовлено стіну?

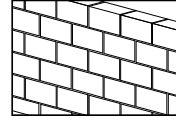
Гіпсокартон із брусами



Застережні заходи

- Максимальна товщина стіни з гіпсокартону: 16 мм.
- Мінімальні розміри внутрішнього дерев'яного бруса: 51 x 102 мм (звичайні розміри) або 38 x 89 мм (номінальні розміри).
- Мінімальний розмір між кріпленнями по горизонталі: 406 мм.

Монолітний бетон або бетонні блоки



Застережні заходи

- Встановлюйте кронштейн для настінного кріплення безпосередньо на монолітній бетонній стіні.
- Мінімальна товщина монолітної бетонної стіни: 203 мм.
- Мінімальні розміри окремого бетонного блока: 203 x 203 x 406 мм.

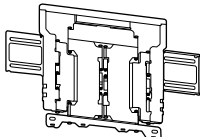

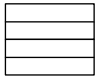

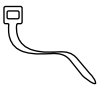
Підготовка до встановлення

- Перед встановленням уважно ознайомтесь із довідником та посібником із налаштування телевізора.
- Перевірте положення встановлення телевізора.
- Підготуйте чотири гвинти діаметром 8 мм та чотири підходящі шайби (не входять до комплекту постачання). Підберіть гвинти відповідно до матеріалу, яким вкрита стіна.

Перевірка деталей

Постачається з SU-WL850

- Перевірте, чи всі деталі включено до комплекту постачання.

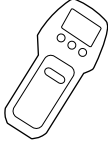

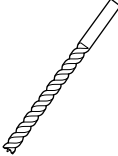
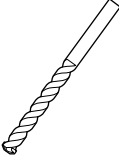
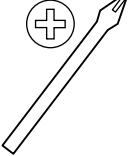




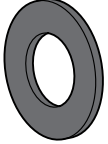


А WM1 (1) 	Б WM2 (1) 
В WM3 (4) 	Г M6 (4) 
Д WT1 (6) 	

Постачається з телевізором

VS Настінне кріплення (4) 



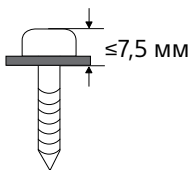
Необхідні інструменти

*1 		 5,5 мм	 10 мм	
*2 		 1,5 Н·м {15 кгс·см}		
*3  (4)	*2  (4)	*3  (4) 8 мм x 60 мм		

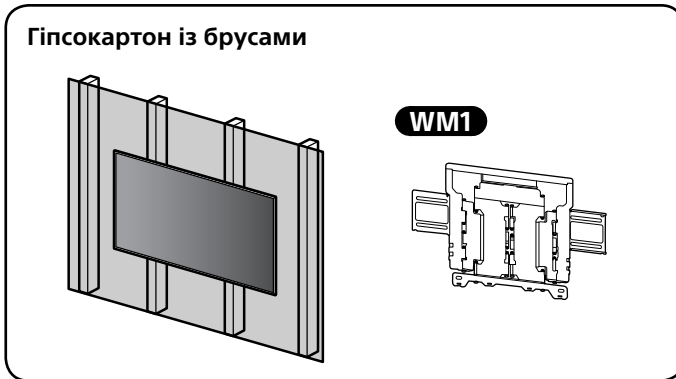
*1 Тільки для стіни з гіпсокартону з брусами

*2 Тільки для стіни з монолітного бетону чи бетонних блоків

*3 Уважно вибирайте гвинти та шайби



A Встановлення телевізора на гіпсокартоновій стіні з брусами

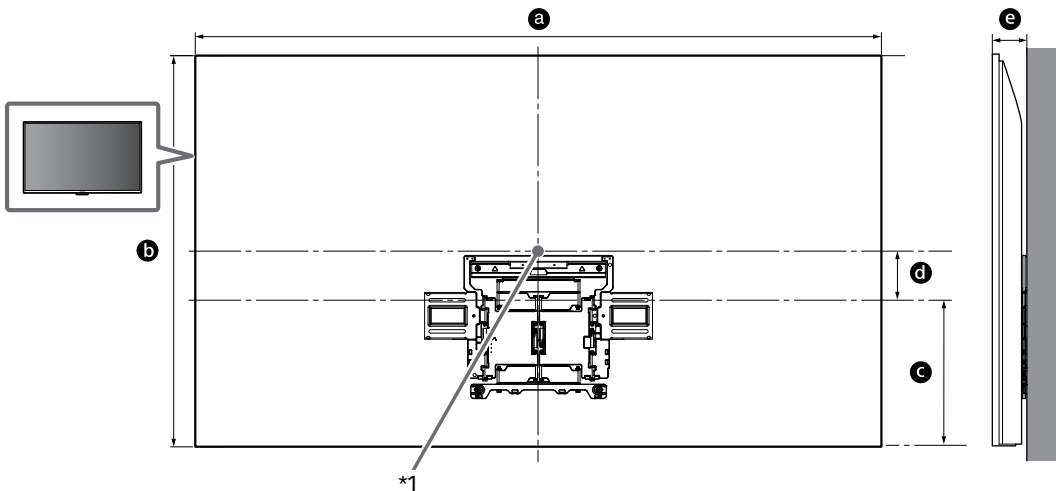


Встановлення кронштейна для настінного кріплення на стіні

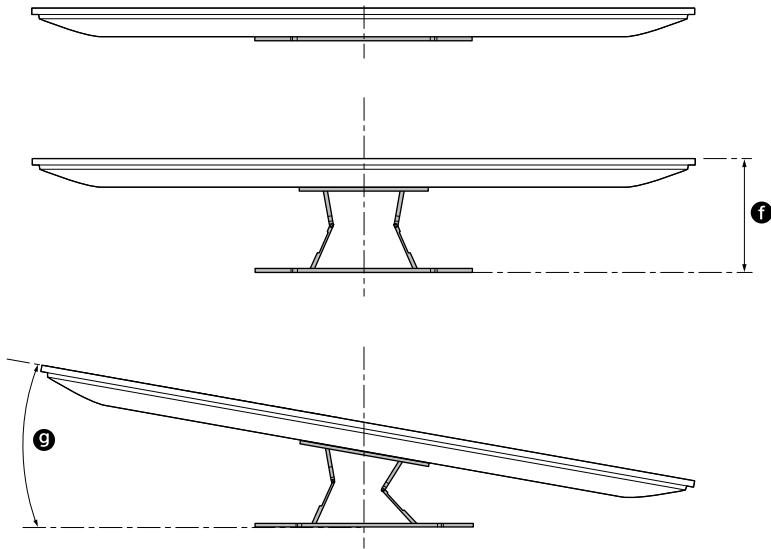
1 Визначте місце встановлення.

Переконайтеся, що стіна має достатні розміри і в змозі витримати вагу, щонайменше в чотири рази більшу за вагу телевізора.

Дані, необхідні для встановлення телевізора на стіні, можна знайти в наведеній нижче таблиці. Вагу телевізора можна знайти в Довіднику до телевізора.



UA



(мм)

Назва моделі	a	b	c	d	e	f*2	g*2 (°)
KD-75XH80xx	1686	969	364	123	86	288	15
KE-75XH80xx							
KD-65XH81xx	1462	841	365	59	83	287	18
KE-65XH81xx							
KD-65XH80xx							
KE-65XH80xx							
KD-55XH81xx	1243	718	365	3	83	287	20
KE-55XH81xx							
KD-55XH80xx							
KE-55XH80xx							

Таблиця розмірів для встановлення телевізора (мм)

Цифри в наведеній таблиці можуть дещо відрізнятись в залежності від монтажу.

*1 (Центральна точка екрана)

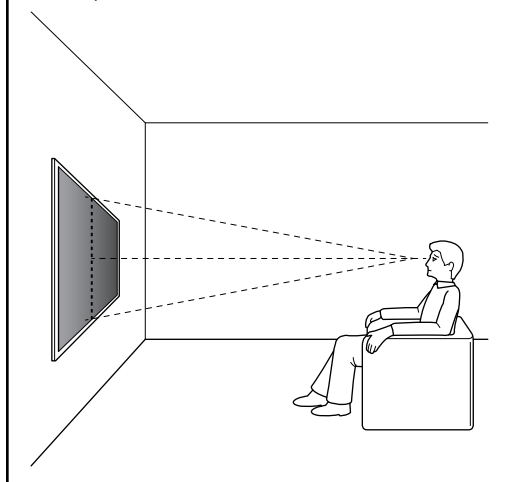
*2 (прибл.)

Примітка

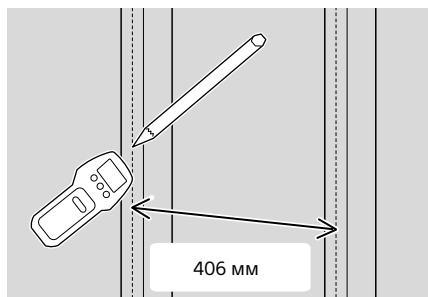
- Верхня частина встановленого на стіні телевізора буде трохи нахилена вперед.

Примітка

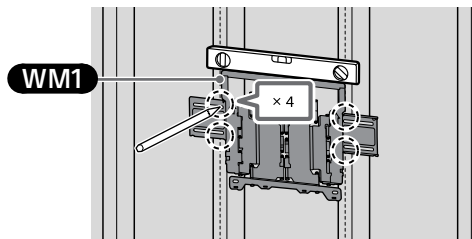
- Обов'язково перевірте, чи зручно дивитися телевизор у вибраному місці.



2



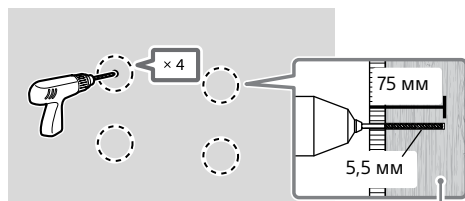
- 3 Прикладіть кронштейн **WM1** до стіни і зробіть чотири позначки на брусах.



Примітка

- Скористайтеся рівнем, щоб розташувати **WM1** горизонтально.

- 4 Просвердліть верхні напрямні отвори в позначених місцях.

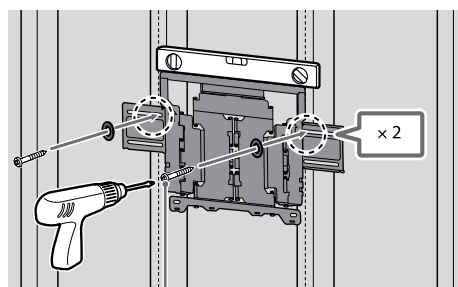


Брус або арматура

Примітка

- Глибина напрямних отворів — 75 мм, діаметр свердла — 5,5 мм.

- 5 Закріпіть кронштейн **WM1** на стіні, використовуючи підходящі гвинти (не входять до комплекту постачання) і шайби (не входять до комплекту постачання).



8 мм × 60 мм

Примітка

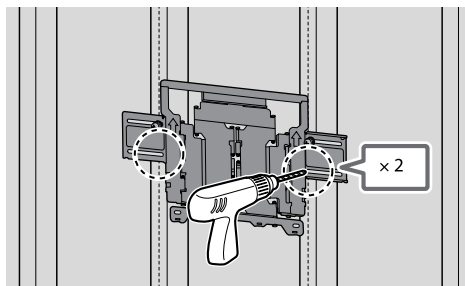
- Скористайтеся рівнем, щоб розташувати **WM1** горизонтально.

UA

Застереження

- Не перетягуйте дерев'яний гвинт 8 мм × 60 мм. Надмірне затягування може негативно вплинути на міцність кріплення дерев'яного гвинта 8 мм × 60 мм.

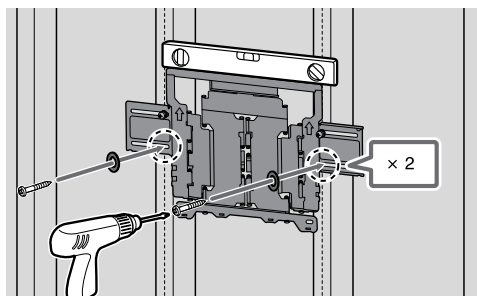
- 6 Просвердліть нижні напрямні отвори в позначених місцях. (Дивіться інструкції на кроці 4.)



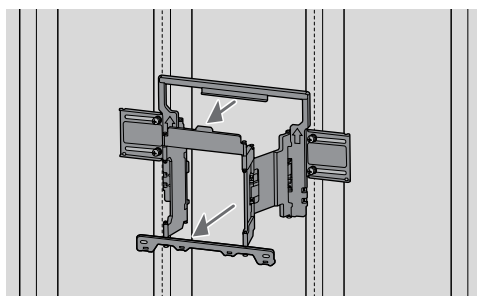
- 7 Вставте в отвори підходящі гвинти із шайбами.

Примітка

- Скористайтеся рівнем, щоб розташувати кронштейн для настінного кріплення горизонтально.

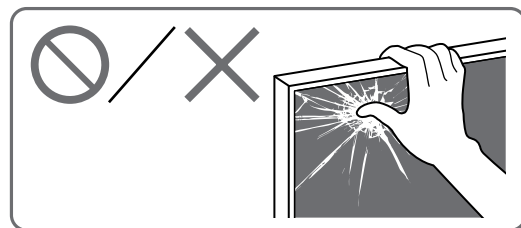


- 8 Повністю розкладіть консоль кронштейна.

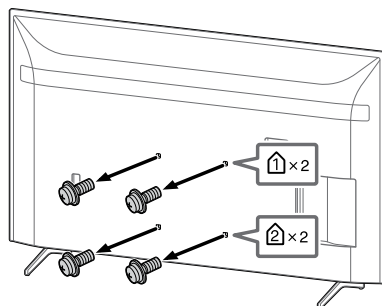


Підготовка до встановлення телевізора

Перед розташуванням телевізора на стіні обов'язково прикріпіть настільну підпору, скориставшись для цього посібником з налаштування.



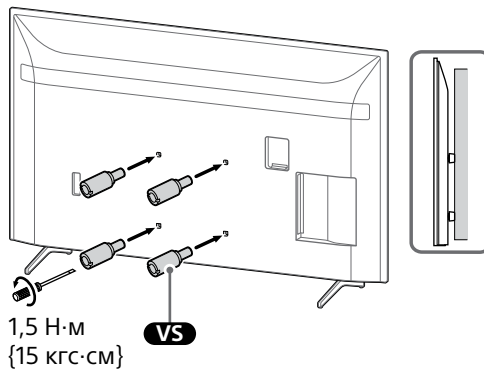
- 1 Викрутіть гвинти із задньої панелі телевізора.



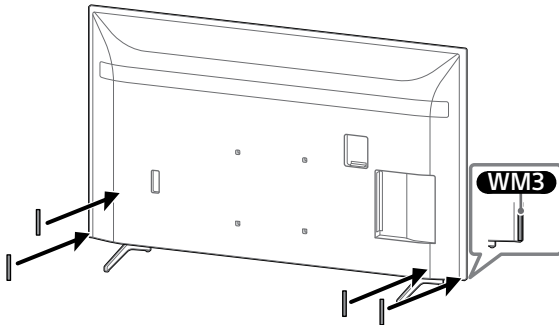
Примітка

- Тримайте викручені гвинти й невикористані деталі в безпечному, недосяжному для дітей місці.

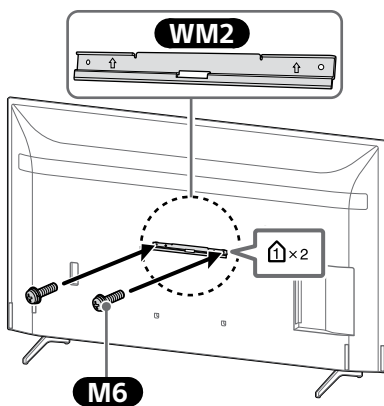
- 2 Прикріпіть настінне кріплення (додається до телевізора) ззаду телевізора (так щоб кріплення було паралельне стіні).



3 Прикріпіть WM3.

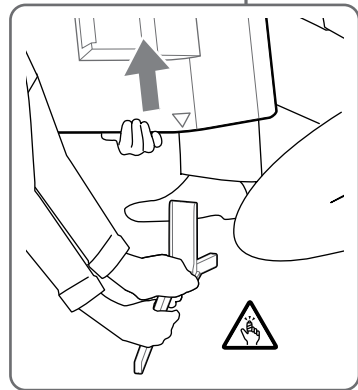
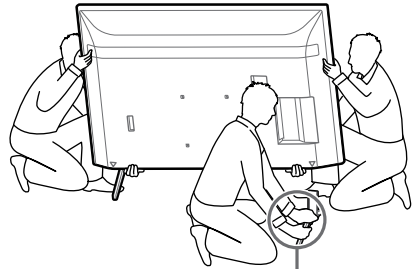


4 Прикріпіть кронштейн WM2 до телевізора за допомогою гвинтів M6.



5 Від'єднайте настільну підпору від телевізора.

- Знімайте одну сторону настільної підпори за раз. Міцно тримайте настільну підпору двома руками, в той час як інші особи підіймають телевізор.

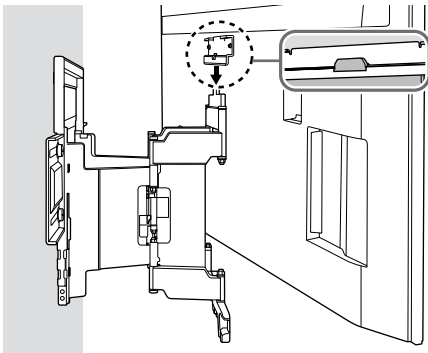
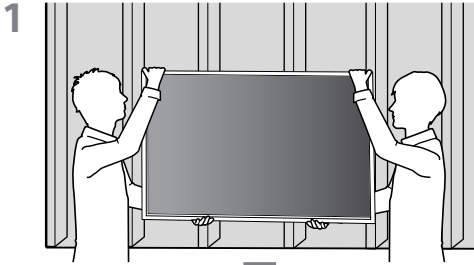


- Повторіть попередній крок та зніміть іншу сторону настільної підпори.

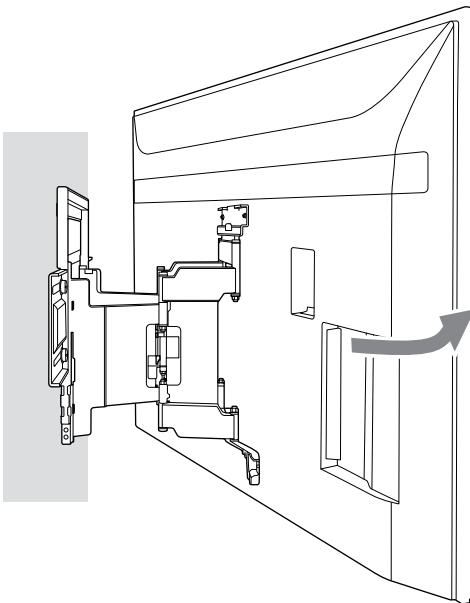
Примітка

- Щонайменше три особи потрібно, щоб від'єднати настільну підпору телевізора.
- Остерігайтеся застосування надмірної сили, від'єднуючи настільну підпору від телевізора, що може призвести до падіння телевізора і стати причиною травмування людей або пошкодження телевізора.
- Обережно поводьтеся з настільною підпорою, щоб не пошкодити телевізор.
- Піднімайте телевізор обережно, оскільки від'єднана настільна підпора може перекинутися та спричинити травми людей.
- Будьте вкрай обережними, коли зніматимете настільну підпору з телевізора. Якщо підпора впаде, вона може пошкодити поверхню, на якій тримається телевізор.

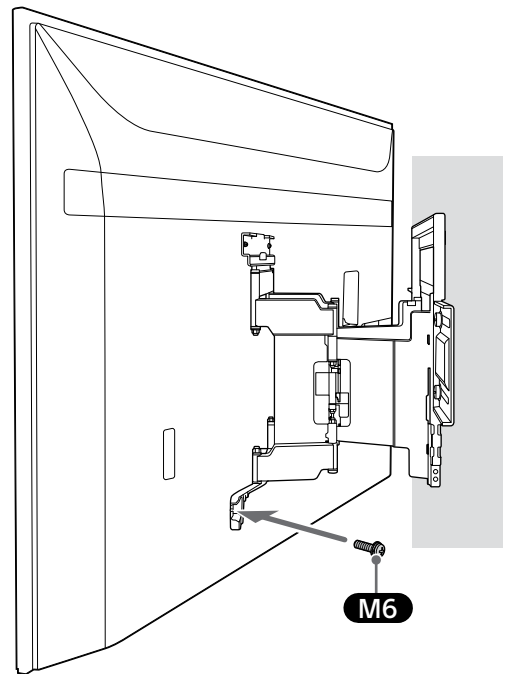
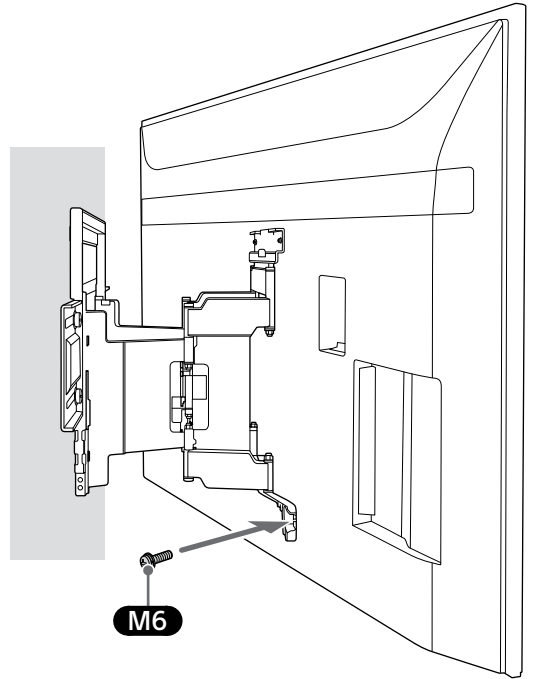
Установлення телевізора на стіні



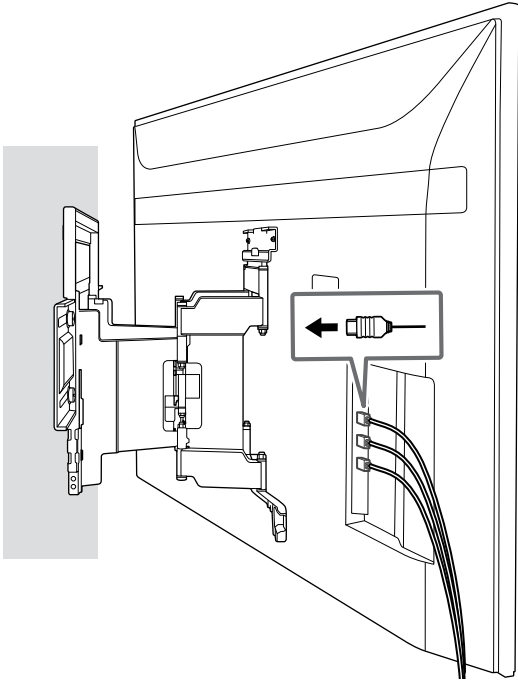
2



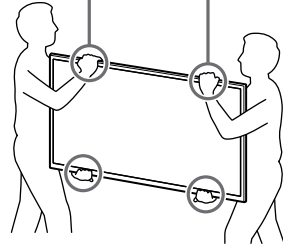
3 Прикрутіть ліву та праву частину кронштейна для настінного кріплення.



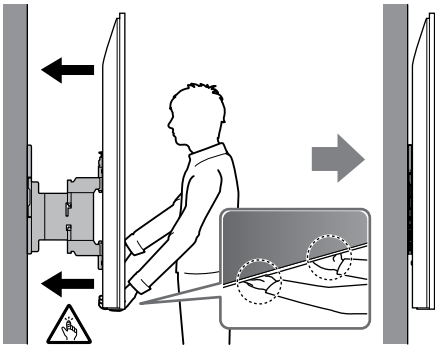
4

**ЗАСТЕРЕЖЕННЯ**

- Під час перенесення телевізора його повинні тримати щонайменше двоє людей (щонайменше троє, якщо діагональ телевізора складає 75 дюймів або більше).



5 Переміщуючи телевізор, міцно тримайте його знизу.



Перевірка після завершення встановлення

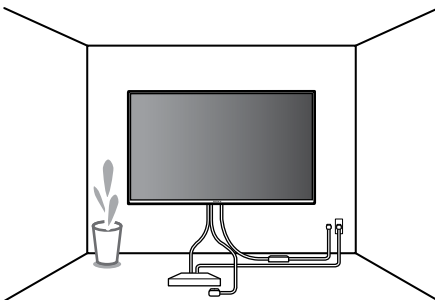
Перевірте зазначені нижче пункти.

- Шнур і кабель не перекручені й не затиснені.

ЗАСТЕРЕЖЕННЯ

- Неправильне розміщення шнура живлення змінного струму тощо може стати причиною пожежі або ураження електричним струмом унаслідок короткого замикання. З метою безпеки обов'язково перевірте все після завершення встановлення.

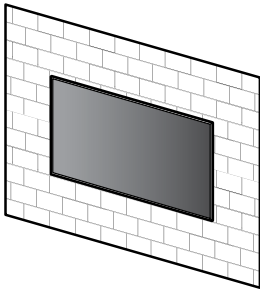
6



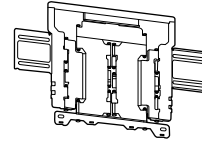
UA

В встановлення кронштейна для настінного кріплення на стіні з монолітного бетону або бетонних блоків

Монолітний бетон або бетонні блоки



WM1

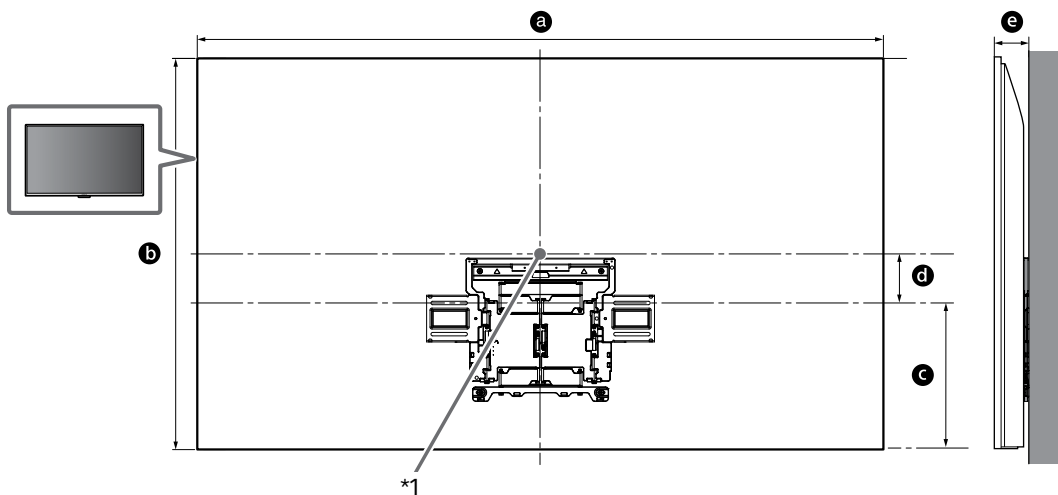


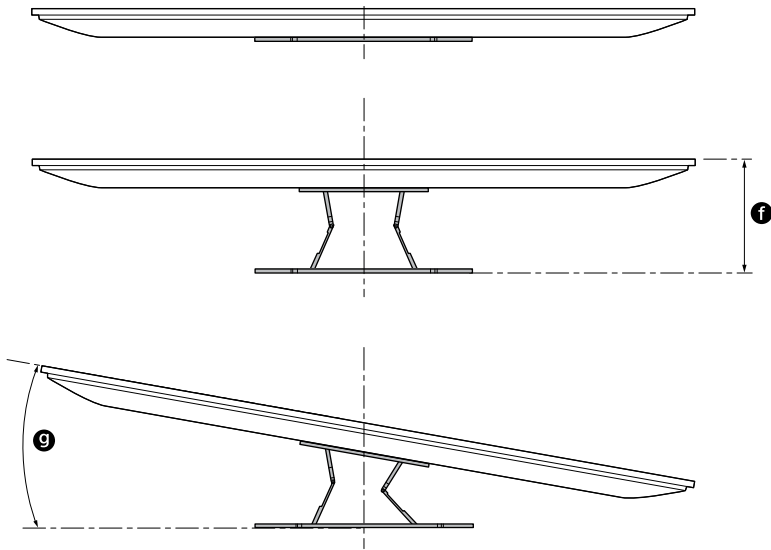
В встановлення кронштейна для настінного кріплення на стіні

1 Визначте місце встановлення.

Переконайтеся, що стіна має достатні розміри і в змозі витримати вагу, щонайменше в чотири рази більшу за вагу телевізора.

Дані, необхідні для встановлення телевізора на стіні, можна знайти в наведеній нижче таблиці. Вагу телевізора можна знайти в Довіднику до телевізора.





(мм)

Назва моделі	a	b	c	d	e	f*2	g*2 (°)
KD-75XH80xx	1686	969	364	123	86	288	15
KE-75XH80xx							
KD-65XH81xx	1462	841	365	59	83	287	18
KE-65XH81xx							
KD-65XH80xx							
KE-65XH80xx							
KD-55XH81xx	1243	718	365	3	83	287	20
KE-55XH81xx							
KD-55XH80xx							
KE-55XH80xx							

UA

Таблиця розмірів для встановлення телевізора (мм)

Цифри в наведеній таблиці можуть дещо відрізнятись в залежності від монтажу.

*1 (Центральна точка екрана)

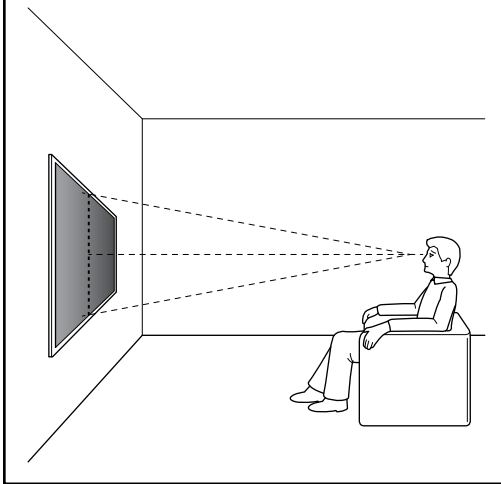
*2 (прибл.)

Примітка

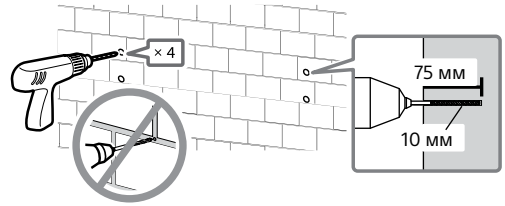
- Верхня частина встановленого на стіні телевізора буде трохи нахилена вперед.

Примітка

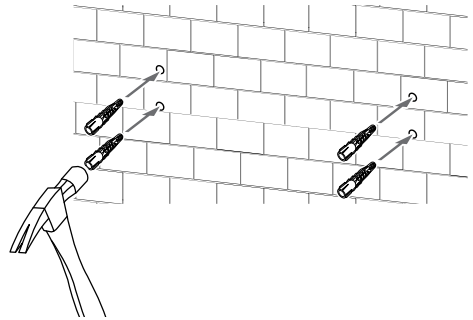
- Обов'язково перевірте, чи зручно дивитися телевизор у вибраному місці.



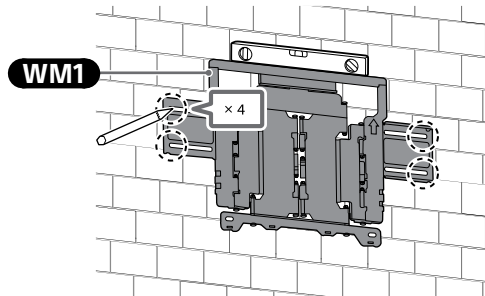
3 Просвердліть напрямні отвори в позначених місцях.



4



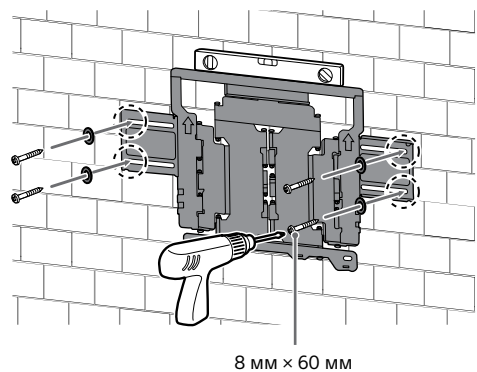
2 Прикладіть WM1 до стіни та зробіть чотири позначки.



Примітка

- Скористайтеся рівнем, щоб розташувати WM1 горизонтально.

5 Закріпіть кронштейн WM1 на стіні, використовуючи підходящі гвинти (не входять до комплекту постачання) і шайби (не входять до комплекту постачання).



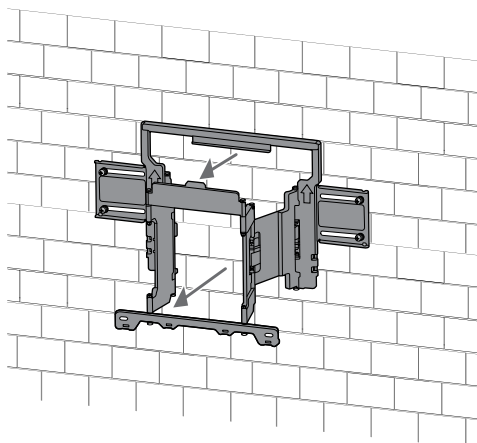
Примітка

- Скористайтеся рівнем, щоб розташувати кронштейн для настінного кріплення горизонтально.

Застереження

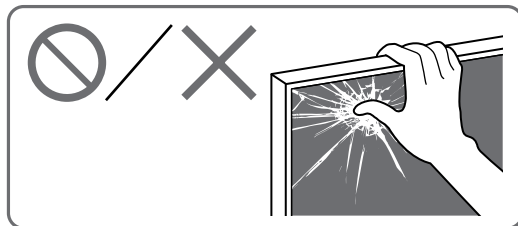
- Не перетягуйте дерев'яний гвинт 8 мм × 60 мм. Надмірне затягування може негативно вплинути на міцність кріплення дерев'яного гвинта 8 мм × 60 мм.

6 Повністю розкладіть консоль кронштейна.

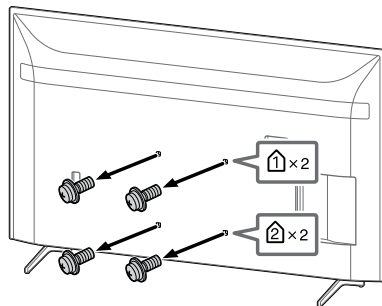


Підготовка до встановлення телевізора

Перед розташуванням телевізора на стіні обов'язково прикріпіть настільну підпору, скориставшись для цього посібником з налаштування.



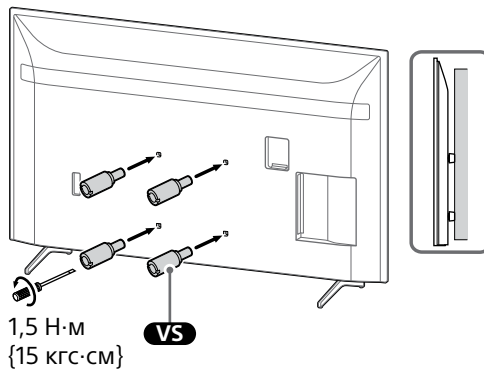
1 Викрутіть гвинти із задньої панелі телевізора.



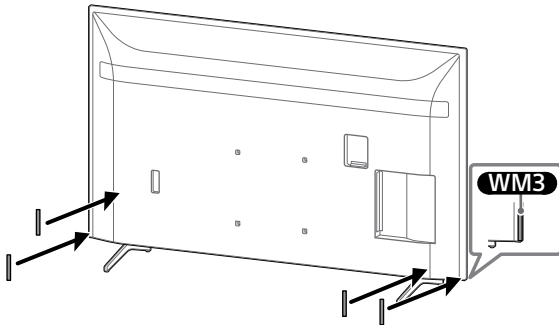
Примітка

- Тримайте викручені гвинти й невикористані деталі в безпечному, недосяжному для дітей місці.

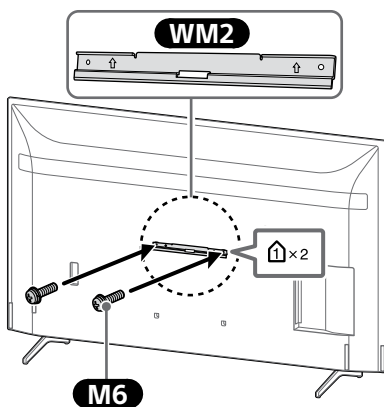
2 Прикріпіть настінне кріплення (додається до телевізора) ззаду телевізора (так щоб кріплення було паралельне стіні).



3 Прикріпіть WM3.

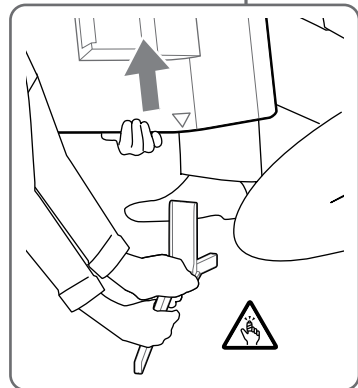
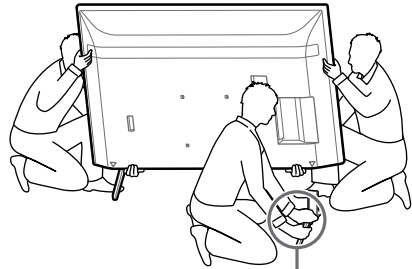


4 Прикріпіть кронштейн WM2 до телевізора за допомогою гвинтів M6.



5 Від'єднайте настільну підпору від телевізора.

- Знімайте одну сторону настільної підпори за раз. Міцно тримайте настільну підпору двома руками, в той час як інші особи підіймають телевізор.

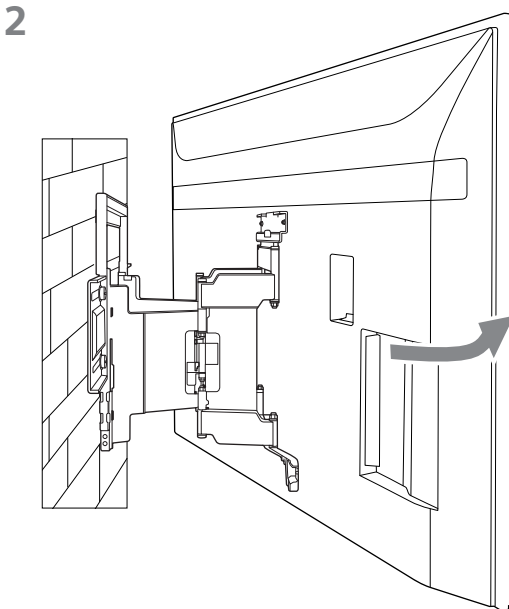
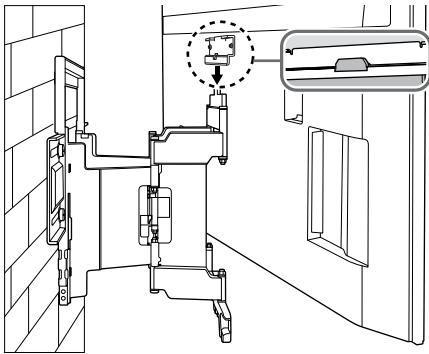
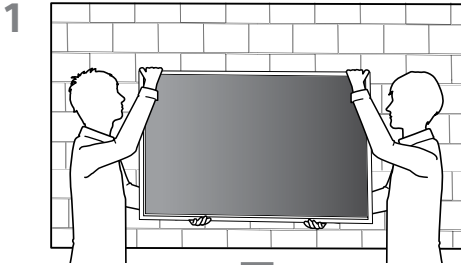


- Повторіть попередній крок та зніміть іншу сторону настільної підпори.

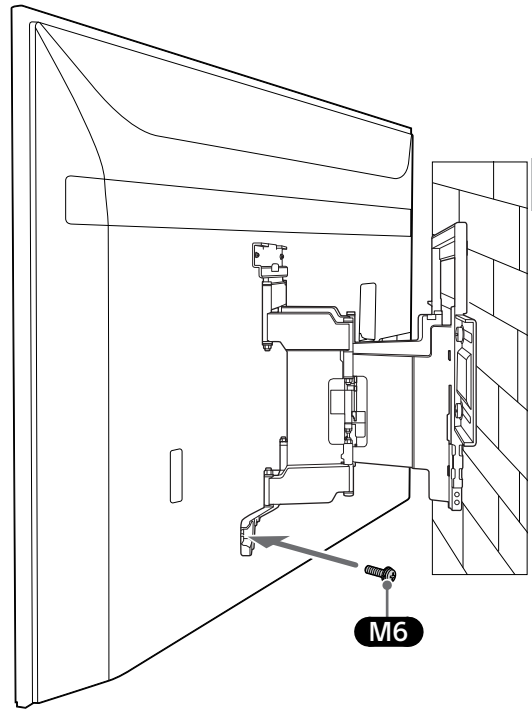
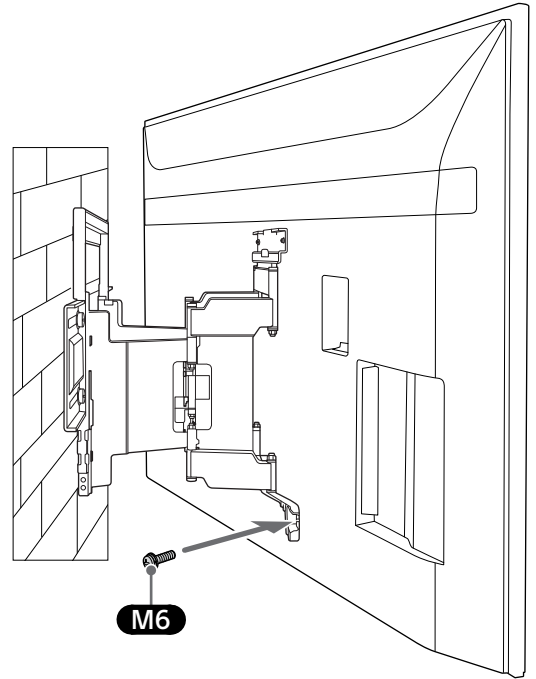
Примітка

- Щонайменше три особи потрібно, щоб від'єднати настільну підпору телевізора.
- Остерігайтеся застосування надмірної сили, від'єднуючи настільну підпору від телевізора, що може призвести до падіння телевізора і стати причиною травмування людей або пошкодження телевізора.
- Обережно поводьтеся з настільною підпорою, щоб не пошкодити телевізор.
- Піднімайте телевізор обережно, оскільки від'єднана настільна підпора може перекинутися та спричинити травми людей.
- Будьте вкрай обережними, коли зніматимете настільну підпору з телевізора. Якщо підпора впаде, вона може пошкодити поверхню, на якій тримається телевізор.

Установлення телевізора на стіні

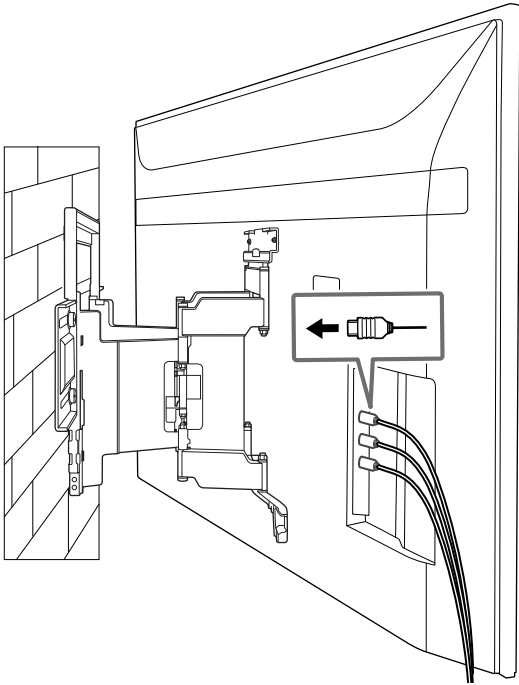


3 Прикрутіть ліву та праву частину кронштейна для настінного кріплення.



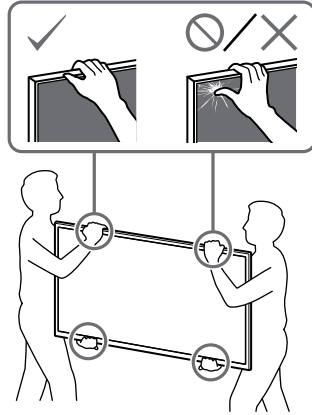
UA

4

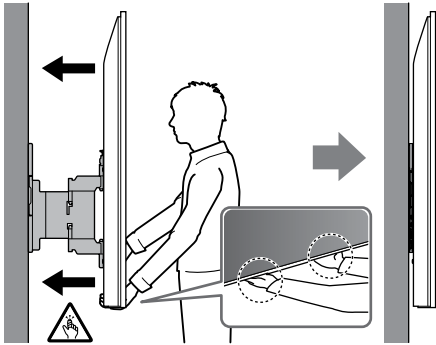


ЗАСТЕРЕЖЕННЯ

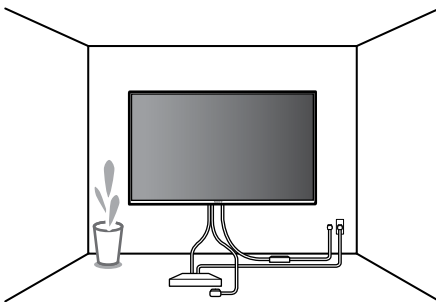
- Під час перенесення телевізора його повинні тримати щонайменше двоє людей (щонайменше троє, якщо діагональ телевізора складає 75 дюймів або більше).



5 Переміщуючи телевізор, міцно тримайте його знизу.



6



Перевірка після завершення встановлення

Перевірте зазначені нижче пункти.

- Шнур і кабель не перекручені й не затиснені.

ЗАСТЕРЕЖЕННЯ

- Неправильне розміщення шнура живлення змінного струму тощо може стати причиною пожежі або ураження електричним струмом унаслідок короткого замикання. З метою безпеки обов'язково перевірте все після завершення встановлення.

Інші відомості

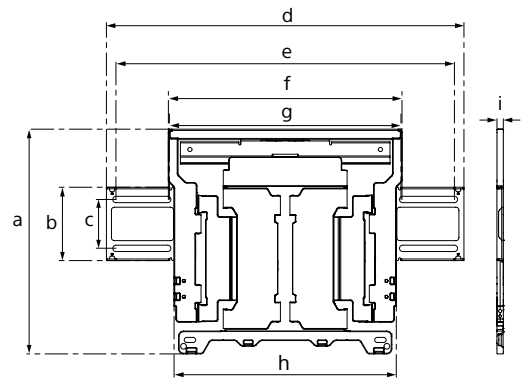
Під час знімання телевізора дотримуйтеся вказаної процедури встановлення у зворотному порядку.

ЗАСТЕРЕЖЕННЯ

- Під час знімання телевізора його повинні тримати щонайменше двоє людей (щонайменше троє, якщо діагональ телевізора складає 75 дюймів або більше).

Технічні характеристики

WM1



Розміри: (прибл.) [мм]

- a : 354
- b : 116
- c : 77
- d : 563
- e : 533
- f : 370
- g : 368
- h : 350
- i : 11

Вага (тільки база): (прибл.) [кг]

3,0

Конструкція та технічні характеристики можуть бути змінені без попередження.

UA

Paigaldusteave Sony seinale paigaldamise kinnituse (SU-WL850) kasutamise kohta

Toetatud mudelid*:

KD-75XH80xx / 65XH81xx / 65XH80xx / 55XH81xx / 55XH80xx

KE-75XH80xx / 65XH81xx / 65XH80xx / 55XH81xx / 55XH80xx

* Tegelikes mudelite nimedes tähendab „xx” numbreid ja/või märke, mis on omased igale mudelile.

Klientidele

Toote kaitsmiseks ja ohutuse tagamiseks soovib Sony tungivalt, et teleri paigaldaks Sony edasimüüja või litsentseeritud töövõtja. Ärge proovige seda ise paigaldada.

Sony edasimüüjatele ja töövõtjatele

Pöörake selle toote paigaldamisel, regulaarsel hooldamisel ja kontrollimisel täielikult tähelepanu ohutusele.

Selle toote paigaldamiseks on vajalik piisav kogemus, eriti teleri raskusele vastupidava seina tugevuse välja selgitamiseks. Laske see toode kinnitada seinale Sony edasimüüjal või litsentseeritud töövõtjal ja pöörake paigaldamisel piisavalt tähelepanu ohutusele. Sony ei vastuta kahjustuste ega vigastuste eest, mille on põhjustanud sobimatu käsitlemine või vale paigaldamine.

Ohutuse tagamiseks ja õigeks paigaldamiseks järgige seinale paigaldamise kinnituse kasutusjuhendit, teleri seadistusjuhendit ja selle juhendi juhiseid.

Seinale paigaldamise kinnitus

Ohutusest

Täname teid selle toote soetamise eest.

Klientidele

Teleri paigaldamine seinale



HOIATUS

NOÜTAV ON ASJATUNDLIK PAIGALDUS!

Seda toodet tohib paigaldada vaid professionaalne paigaldaja, kelle väljaõpe võimaldab hinnata, kas sein on teleri kaalu jaoks piisavalt tugev. Kui seda ei fikseerita paigaldamise nõuetekohaselt, võib teler kukkuda ja põhjustada raskeid vigastusi. Sony ei ole vastutav mis tahes kahjustuste või vigastuste eest, mis on tingitud nõuetele mittevastavast käsitsemisest või paigaldamisest või ettenähtust erineva toote paigaldamisest. See ei mõjuta teie seadusejärgseid õigusi (kui neid on).

Sony edasimüüjatele

Käesoleva toote paigaldamine eeldab piisavat asjatundlikkust. Lugege käesolevat kasutusjuhend hoolikalt läbi, et tagada ohutu paigaldus. Sony ei vastuta kahjustuste või vigastuste eest, mis on tingitud toote valest kasutamisest või ebakorrektest paigaldusest. Andke see juhend pärast paigalduse lõpetamist kliendile.

Käesolev kasutusjuhend tutvustab toote õiget kasutamist ja olulisi ettevaatusabinõusid õnnetuste vältimiseks. Teie kohus on lugeda hoolikalt kõiki selles juhendis sisalduvaid suuniseid, teha need endale selgeks ning neid järgida. Selle juhise eiramisega võivad kaasnedna rasked kehavigastused või varakahju ning see võib tühistada garantii. Säilitage juhend edaspidiseks kasutamiseks.

Sony toodete loomisel on lähtutud ohutusest. Toodete vale kasutamine võib tekitada tõsiseid vigastusi tulekahju, elektrilöögi, toote ümberminemise või kukkumise tagajärjel. Nimetatud õnnetuste vältimiseks tuleb järgida ohutusabinõusid.

ETTEVAATUST

Sobivad tooted

See seinakinnitus on mõeldud kasutamiseks koos kindlate teleritega. Kontrollige teleri „Teatmik“, kas seinale paigaldamise kinnitus on konkreetse mudeli korral kasutatav.

Klientidele

HOIATUS

Järgmiste ettevaatusabinõude eiramine võib põhjustada tõsiseid vigastusi või surma tulekahju, elektrilöögi, toote ümberminemise või kukkumise tagajärjel.

Laske paigaldamine teostada litsentsitud töövõtjatel ja hoidke väikesed lapsed paigaldustöödest eemale.

Seinakinnituse või teleri vale paigaldamine võib põhjustada järgmisi õnnetusi. Laske paigaldus teostada litsentsitud töövõtjatel.

- Teler võib kukkuda ja tekitada tõsise vigastuse, nt verevalum või luumurd.
- Kui seinakinnitus paigaldatakse ebastabiilsele, ebatasasele või pörandaga mittevertikaalsele seinale, võib teler kukkuda ja tekitada vigastusi või varalist kahju. Seina kandevõime peab olema teleri kaalust vähemalt kuus korda suurem. (Vaadake teleri kaalu kontrollimiseks „Teatmik“.)
- Kui seinakinnitus ei ole paigaldatud piisavalt tugevalt, võib teler kukkuda ja tekitada vigastusi või varalist kahju.

Laske teleri liigutamist või eemaldamist teostada litsentsitud töövõtjatel.

Kui telerit transpordivad või eemaldavad seinalt mittelitsentsitud töövõtjad, võib teler kukkuda ja tekitada vigastusi või varalist kahju. Veenduge, et telerit demonteerivad või teisaldavad vähemalt kaks inimest (või vähemalt kolm inimest, kui teler on 75-tolline või suurem).

Ärge eemaldage pärast teleri paigaldamist kruvisid vms.

Seda tehes võib teler kukkuda ja tekitada vigastusi või varalist kahju.

Ärge tehke seinakinnituse osadele muudatusi.

Seda tehes võib seinakinnitus kukkuda ja tekitada vigastusi või varalist kahju.

Paigaldage seinakinnitusele ainult selleks ettenähtud tooteid.

See seinakinnitus on mõeldud kasutamiseks ainult kindlate toodetega. Muude seadmete paigaldamisel võib seinakinnitus kukkuda või puruneda ja tekitada vigastusi või varalist kahju.

Ärge asetage seinakinnitusele telerist suuremat koormust. Ärge raputage telerit vasakule/paremale ega üles/alla.

Seda tehes võib teler kukkuda ja tekitada vigastusi või varalist kahju.

Ärge toetuge telerile või rippuge selle küljes.

Ärge toetuge telerile või rippuge selle küljes, kuna see võib teile peale kukkuda ja tekitada tõsise vigastuse.

ETTEVAATUST

Järgmiste ettevaatusabinõude eiramine võib tekitada vigastusi või varalist kahju.

- Olge ettevaatlik, et sõrmed ei jääks seinale paigaldamise kinnituse käsitsemisel või teleri pööramisele kuhugi vahele.
 - Telerikomplekti pööramise olge ettevaatlik ja jälgige, et te ei lööks vastu lähedalolevaid inimesi.
 - Pange kasutamata jäänud osad edasiseks kasutamiseks kindlasti turvalisse kohta hoiule.
- Hoidke lastele kättesaamatus kohas.

Ärge rakendage toote puhastamisel või hooldamisel liigset jõudu.

Ärge rakendage teleri pealmisele küljele liigset jõudu. Seda tehes võib teler kukkuda ja tekitada vigastusi või varalist kahju.

Ettevaatusabinõud

- Teleri pikaajalisel kasutamisel seinakinnitusele paigaldatuna võib teleri taga või selle kohal olev sein värvi muuta või tapeet lahti tulla, olenevalt materjalist.
- Seinakinnituse seinalt eemaldamisel jäävad seina sisse alles augud.
- Ärge kasutage seinakinnitust kohas, kus see puutub kokku mehaaniliste vibratsioonidega.

Seinakinnituse paigaldamine

Sony edasimüüjatele

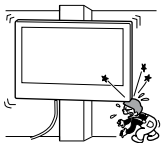
HOIATUS

Järgmised suunised on mõeldud ainult Sony edasimüüjatele. Lugege läbi eelnevalt kirjeldatud ohutusabinõud ja pöörake toote paigaldamisel, hooldamisel ja kontrollimisel erilist tähelepanu ohutusele.

EE

Ärge paigaldage seinakinnitust seinale, kus teleri nurgad või küljed eenduvad seinast.

Ärge paigaldage seinakinnitust seinale, nt piilarile, kus teleri nurgad või küljed eenduvad seinast. Teleri eenduva nurga või külje vastu pörkumine võib tekitada vigastusi või varalist kahju.

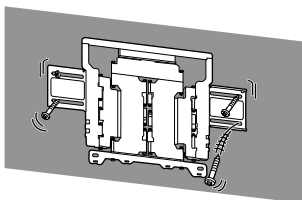


Ärge paigaldage telerit õhukonditsioneerist alla või selle kohale.

Teleri pikaajaline kokkupuude õhukonditsioneerist tuleva õhuvoolu või sellest lekkiva veega võib tekitada tulekahju või elektrilöögi või põhjustada teleri rikke.

Paigaldage seinakinnitus tugevalt seinale, järgides käesoleva kasutusjuhendi suuniseid.

Kui mõni kruvi on halvasti kinnitatud või kukub välja, võib seinakinnitus kukkuda ja tekitada vigastusi või varalist kahju. Kasutage seina materjalile sobivaid kruvid ja paigaldage seade tugevalt, kasutades nelja 8 mm (või samaväärse) läbimõõduga kruvid.



Veenduge, et kasutate kaasolevaid kruvisid ja kinnitusdetalle õigesti vastavalt käesoleva kasutusjuhendi suunistele.

Kinnitusvahendite asendamisel võib teler kukkuda ja saada kahjustusi või põhjustada kellelegi kehavigastuse.

Pange seinakinnitus õigesti kokku vastavalt käesoleva kasutusjuhendi suunistele.

Kui mõni kruvi on halvasti kinnitatud või kukub välja, võib teler kukkuda ja tekitada vigastusi või kahjustada telerit.

Keerake kruvid tugevalt kinni ettenähtud kohtades.

Vastasel korral võib teler kukkuda ja saada kahjustusi või põhjustada kellelegi kehavigastuse.

Veenduge, et teler ei saaks paigaldamise ajal pörutada.

Pörutuste korral võib teler kukkuda või puruneda. See võib tekitada vigastuse.

Paigaldage teler vertikaalsele ja siledale seinale.

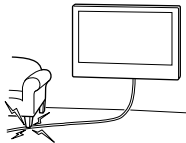
Vastasel korral võib teler kukkuda ja tekitada vigastuse.

Pärast teleri nõuetekohast paigaldamist veenduge, et kaablid on paigaldatud ohutult.

Kaablitesse takerdumine võib tekitada vigastuse või kahjustada telerit.

Vältige vahelduvvoolu toitekaabli või ühenduskaabli muljumist.

Kui vahelduvvoolu toitekaabel või ühenduskaabel on seinakinnituse ja teleri vahele surutud või neid on jõuga väänatud, võivad kaablisisesed elektrijuhtmed tekitada lühise või põhjustada elektrikatkestuse. See võib põhjustada tulekahju või elektrilöögi.



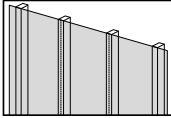
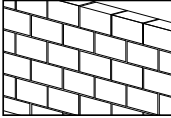
Seinakinnituse seinale kinnitamiseks ettenähtud kruvid ei kuulu komplekti.

Kasutage seinakinnituse paigaldamisel seina materjalile ja konstruktsioonile vastavaid kruvisid.

Enne alustamist

Esiteks kontrollige seina tüüpi, millele kavatsete teleri paigutada.

Millest teie sein tehtud on?

<p>Karkassiga kipssein</p>  <p>Ettevaatusabinõud</p> <ul style="list-style-type: none">• Maksimaalne kipsseina paksus: 16 mm.• Veenduge, et sisemise puittala suurus oleks vähemalt 51 x 102 mm (tavaline) või 38 x 89 mm (nimiväärtus).• Hoidke kinnitusdetailide vahel vähemalt 406 mm laiune vahe.	<p>Kõva betoon või betoonplokk</p>  <p>Ettevaatusabinõud</p> <ul style="list-style-type: none">• Paigaldage seinale paigaldamise kinnitus otse kõva betoonseina peale.• Veenduge, et betoonseina paksus oleks vähemalt 203 mm.• Veenduge, et iga betoonploki suurus oleks vähemalt 203 x 203 x 406 mm.
--	--

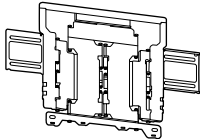

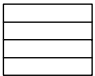

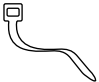
Ettevalmistus

- Enne paigaldamist otsige välja ja hoidke käepärast teleri teatmik ja seadistusjuhend.
- Määrake kindlaks teleri paigalduskoht.
- Valmistage ette neli 8 mm läbimõõduga kruvi ja neli korralikku seibi (pole komplektis).
Valige seina materjaliga sobivad kruvid.


Osade kontroll

Komplektis SU-WL850-ga

- Veenduge, et kõik osad on olemas.



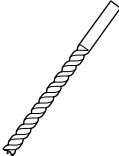
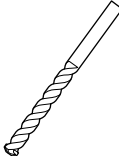
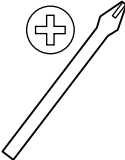




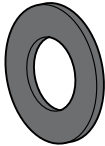

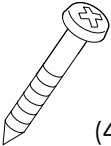
A WM1 (1) 	B WM2 (1) 
C WM3 (4) 	D M6 (4) 
E WT1 (6) 	

Komplektis teleriga

VS Seinale paigaldamise ühendus (4) 



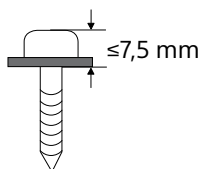
Vajalikud tööriistad

*1 	  5,5 mm  10 mm 		
*2 		 1,5 N·m {15 kgf·cm}	
*3  (4)	*2  (4)	*3  (4) 8 mm x 60 mm	

*1 Ainult karkassiga kipsseinale

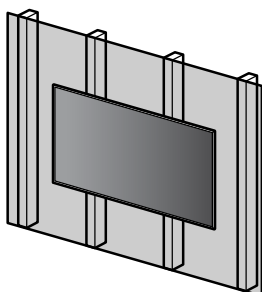
*2 Ainult kõvale betoonile või betoonplokile

*3 Olge kruvide ja seibide valimisel tähelepanelik

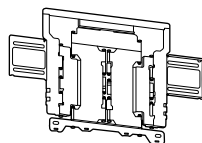


A Teleri kinnitamine karkassiga kipsseinale

Karkassiga kipssein



WM1

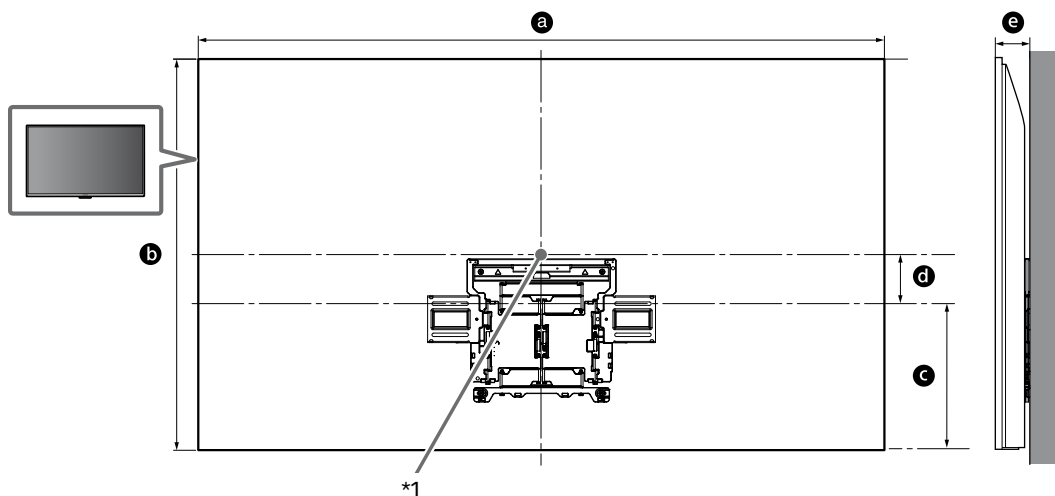


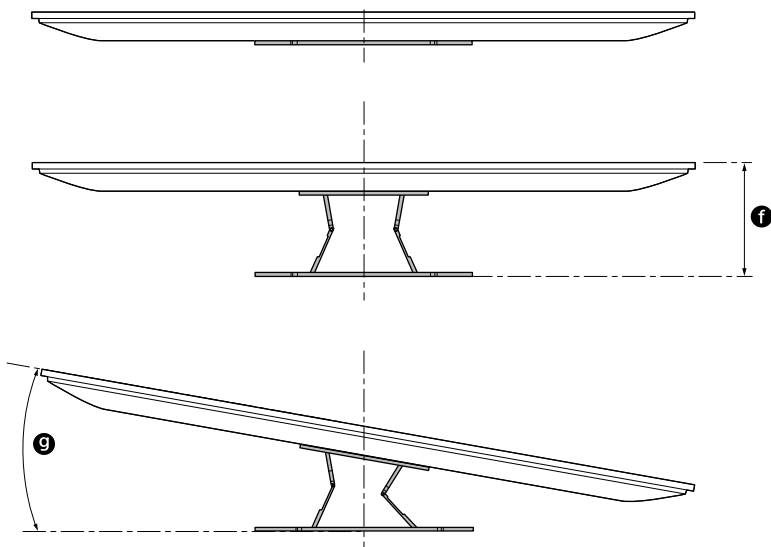
Seinale paigaldamise kinnituse paigaldamine seinale

1 Tehke kindlaks paigalduskoht.

Veenduge, et seinale oleks teleri jaoks piisavalt ruumi ja see suudab kanda vähemalt neljakordset teleri raskust.

Vaadake teleri seinale paigaldamisel järgmist tabelit. Vaadake teleri raskust teleri viitejuhust.





(mm)

Mudeli nimi	a	b	c	d	e	f*2	g*2 (°)
KD-75XH80xx	1686	969	364	123	86	288	15
KE-75XH80xx							
KD-65XH81xx	1462	841	365	59	83	287	18
KE-65XH81xx							
KD-65XH80xx							
KE-65XH80xx							
KD-55XH81xx	1243	718	365	3	83	287	20
KE-55XH81xx							
KD-55XH80xx							
KE-55XH80xx							

Teleri paigaldamise mõõtmete tabel (mm)

Sõltuvalt paigaldusest võivad tabelis olevad arvud vähesel määral erineda.

*1 (Ekraani keskpunkt)

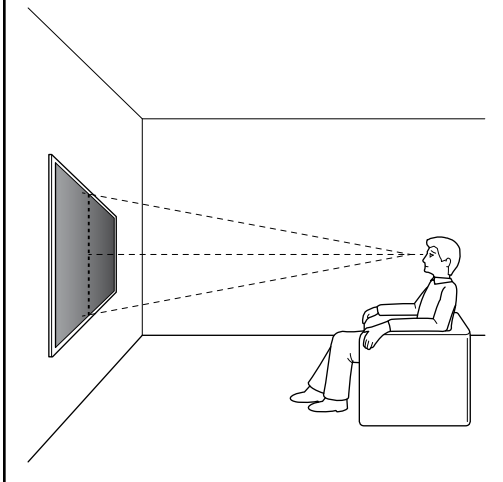
*2 (Umbes)

Märkus.

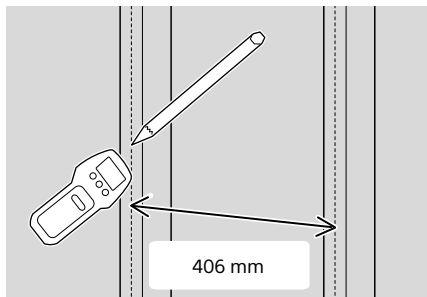
- Kui teler on seinale paigaldatud, kaldub teleri ülemine osa vähesel määral ettepoole.

Märkus.

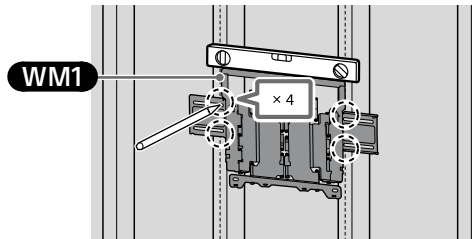
- Soovitame teleri paigutust kontrollida selle vaatamiskohast.



2

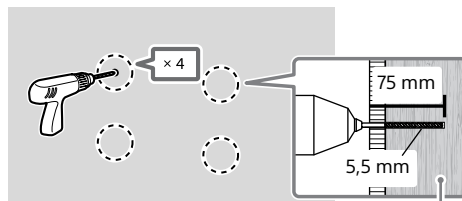


3 Joondage **WM1** seina külge ja tehke neli taladega joondatud märki.

**Märkus.**

- Kontrollige loodi abil, kas **WM1** on loodis.

4 Puurige märkidele ülemised juhtaugud.

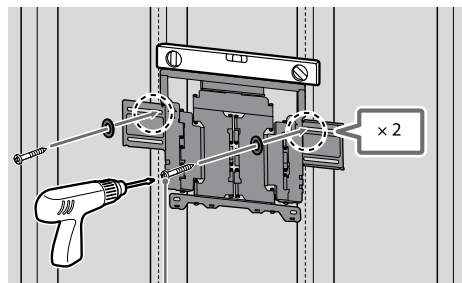


Karkass või tugevdus

Märkus.

- Juhtaugud tuleb puurida 75 mm sügavusele, kasutades 5,5 mm läbimõõduga puuriotsakut.

5 Kasutage **WM1** seinale paigaldamiseks sobivaid kruvisid (pole komplektis) ja seibe (pole komplektis).



8 mm × 60 mm

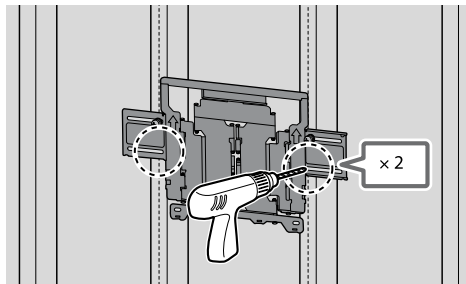
Märkus.

- Kontrollige loodi abil, kas **WM1** on loodis.

Ettevaatust!

- Ärge pingutage üleliia puidust kruvisid 8 mm × 60 mm. Vale pingutamine võib vähendada puidust kruvide 8 mm × 60 mm hoidejõudu.

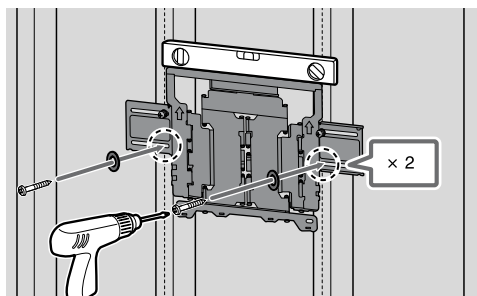
- 6 Puurige märkidele alumised juhtaugud. (Puurimisjuhiste saamiseks pöörduge punkti 4.)



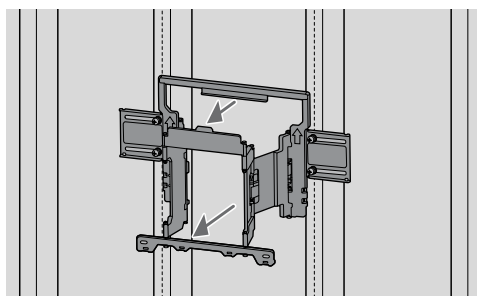
- 7 Paigaldage aukudesse sobivad kruvid ja seibid.

Märkus.

- Kontrollige loodi abil, kas seinale paigaldamise kinnitus on loodis.

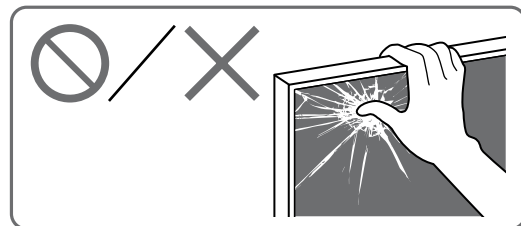


- 8 Tõmmake raami tugi lõpuni välja.

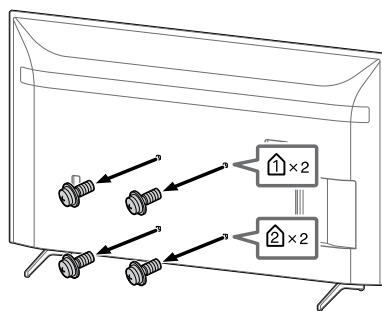


Ettevalmistus teleri paigaldamiseks

Kinnitage kindlasti vastavalt seadistusjuhendile enne teleri seinale paigaldamist lauapealne alus.



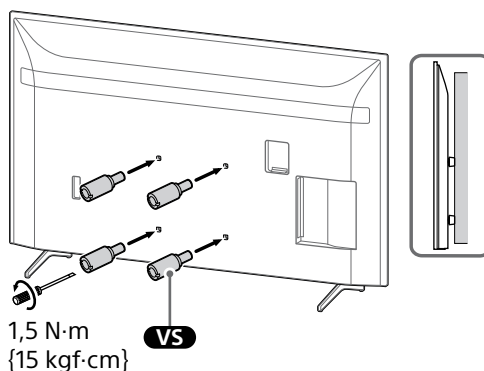
- 1 Eemaldage teleri tagaküljelt kruvid.



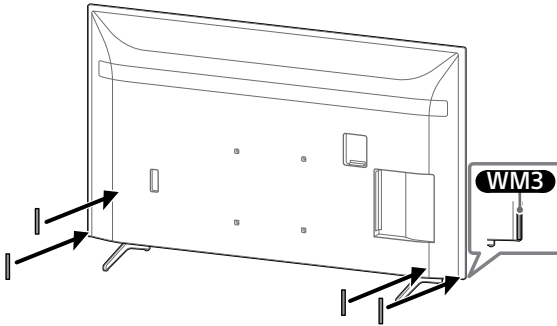
Märkus.

- Hoidke eemaldatud kruvisid ja kasutamata osasid kindlas lastele kättesaamatus kohas.

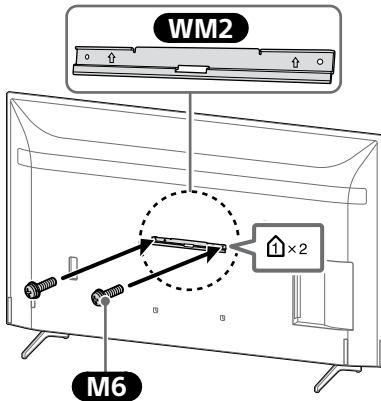
- 2 Kinnitage seinale paigaldamise ühendus (kuulub teleri komplekti) teleri tagaküljele (et teler püsiks seinaga paralleelne).



3 Kinnitage WM3.

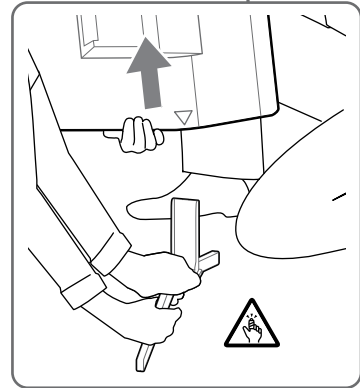
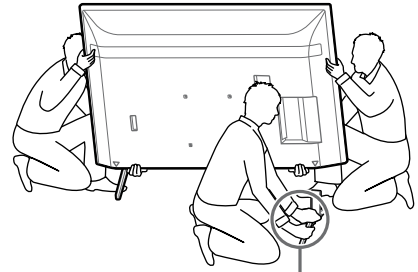


4 Kinnitage WM2 teleri külge, kasutades M6.



5 Eemaldage lauapealne alus telerilt.

- Eemaldage korraga üks lauapealse aluse pool. Hoidke mõlema käega lauapealsest alusest kindlalt kinni, samal ajal kui keegi teine telerit õhku tõstab.

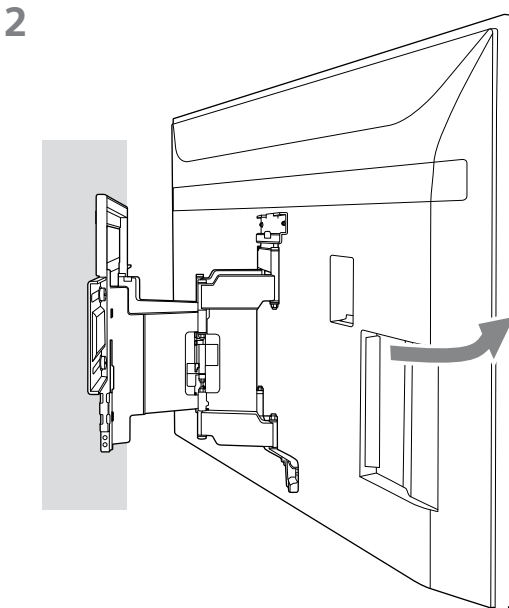
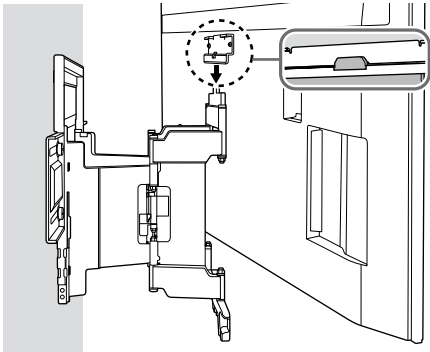
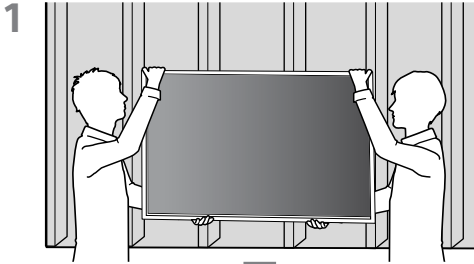


- Korrake eelmist etappi ja eemaldage aluse teine pool.

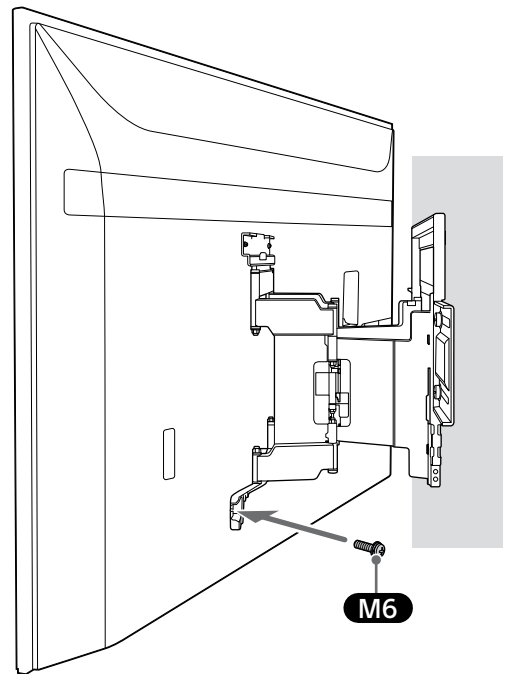
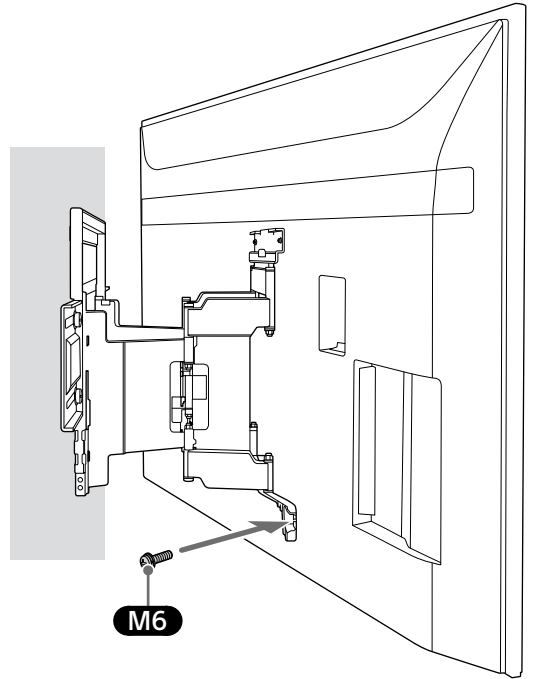
Märkus.

- Kolm või enam inimest peavad eemaldama lauapealse aluse.
- Ärge kasutage lauapealse aluse eemaldamisel telerist liigset jõudu, sest selle tulemusel võib teler kukkuda ning põhjustada inimvigastusi või teleri füüsilisi kahjustusi.
- Teleri kahjustuste vältimiseks käsitsege lauapealset alust ettevaatlikult.
- Olge ettevaatlik, kui tõstate lauapealse aluse eemaldamisel telerit, kuna lauapealne alus võib ümber kukkuda ja põhjustada kehavigastusi.
- Olge ettevaatlik, kui eemaldate telerilt lauapealse aluse, et see ei saaks ümber kukkuda ja kahjustada teleri aluseks olevat pinda.

Teleri paigaldamine seinale

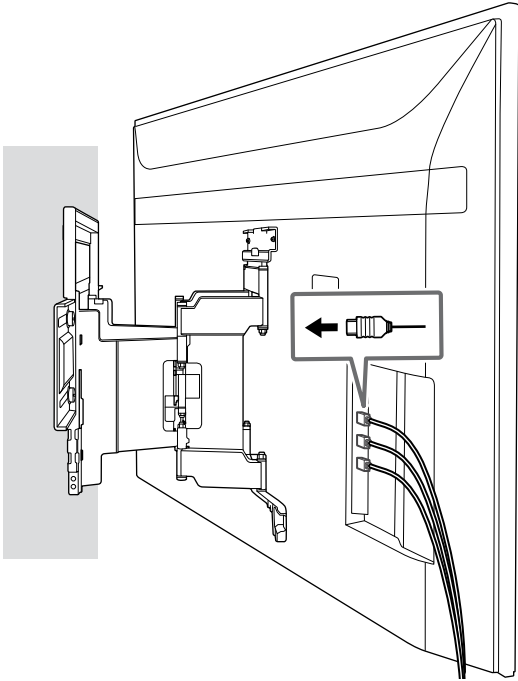


- 3 Kravige seinale paigaldamise kinnituse vasak- ja parempool sisse.

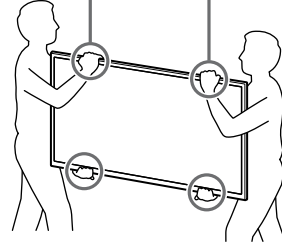


EE

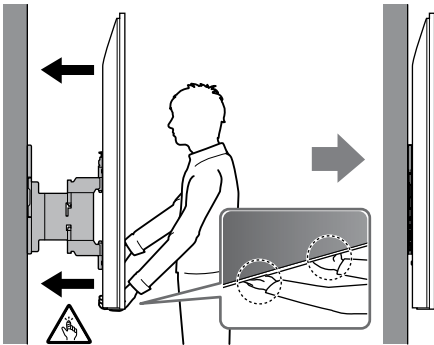
4

**HOIATUS**

- Veenduge, et telerit kannavad vähemalt kaks inimest (või vähemalt kolm inimest, kui teler on 75-tolline või suurem).



5 Hoidke teleri liigutamisel seda korralikult põhjast kinni.

**Paigaldusjärgne kontroll**

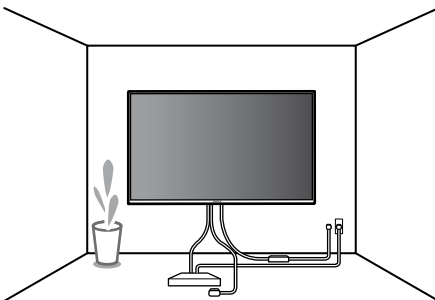
Kontrollige järgmist.

- Toite- ja ühenduskaablid ei ole väändunud ega kokku surutud.

HOIATUS

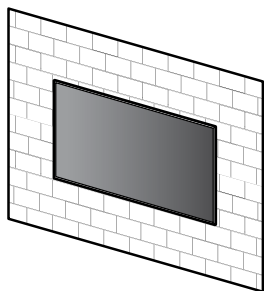
- Vahelduvvoolu toitekaabli jms paigaldamine valesse kohta võib põhjustada lühise tagajärjel elektrilöögi või tulekahju. Teostage paigaldusjärgne kontroll, et tagada ohutus.

6

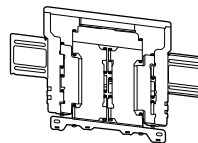


B Seinale paigaldamise kinnituse paigaldamine kõvale betoonile või betoonplokkile

Kõva betoon või betoonplokk



WM1

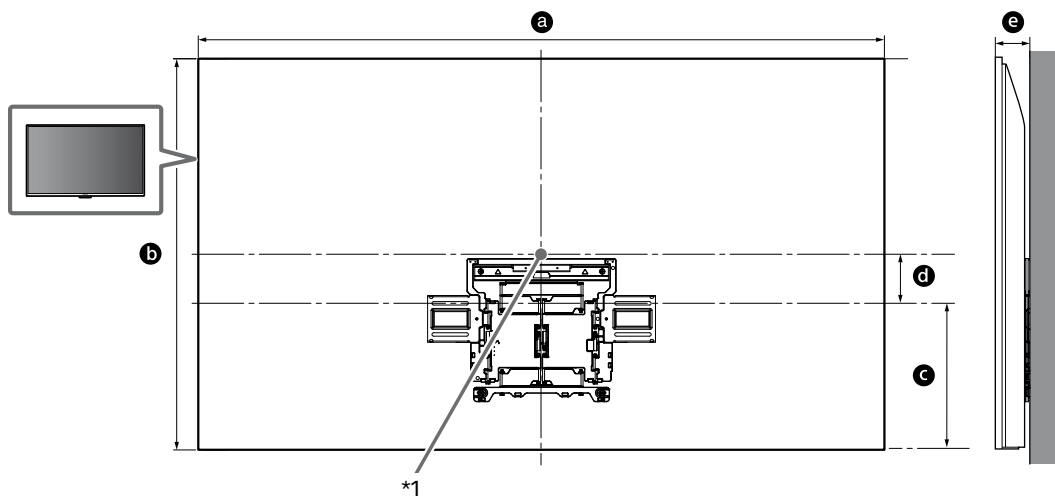


Seinale paigaldamise kinnituse paigaldamine seinale

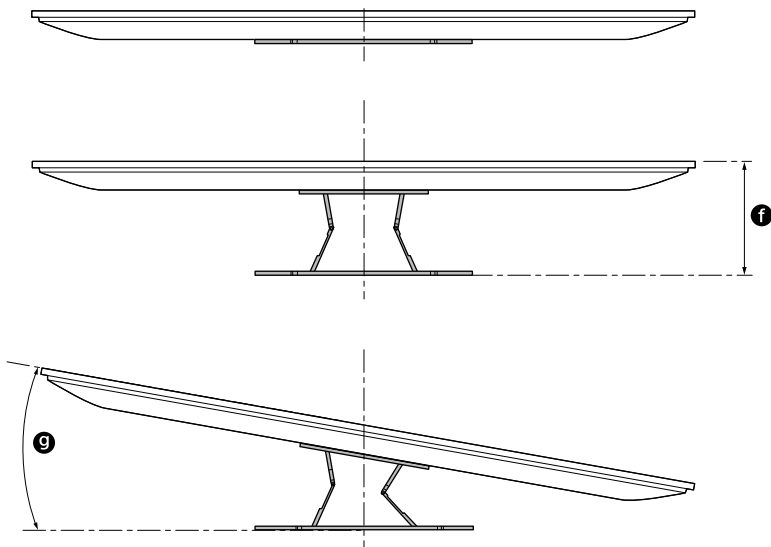
1 Tehke kindlaks paigalduskoht.

Veenduge, et seinal oleks teleri jaoks piisavalt ruumi ja see suudab kanda vähemalt neljakordset teleri raskust.

Vaadake teleri seinale paigaldamisel järgmist tabelit. Vaadake teleri raskust teleri viitejuhust.



EE



(mm)

Mudeli nimi	a	b	c	d	e	f*2	g*2 (°)
KD-75XH80xx	1686	969	364	123	86	288	15
KE-75XH80xx							
KD-65XH81xx	1462	841	365	59	83	287	18
KE-65XH81xx							
KD-65XH80xx							
KE-65XH80xx							
KD-55XH81xx	1243	718	365	3	83	287	20
KE-55XH81xx							
KD-55XH80xx							
KE-55XH80xx							

Teleri paigaldamise mõõtmete tabel (mm)

Sõltuvalt paigaldusest võivad tabelis olevad arvud vähesel määral erineda.

*1 (Ekraani keskpunkt)

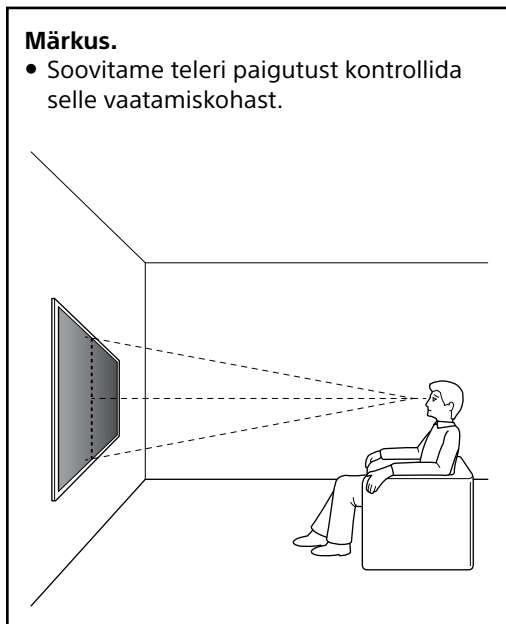
*2 (Umbes)

Märkus.

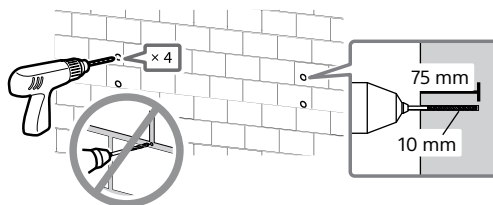
- Kui teler on seinale paigaldatud, kaldub teleri ülemine osa vähesel määral ettepoole.

Märkus.

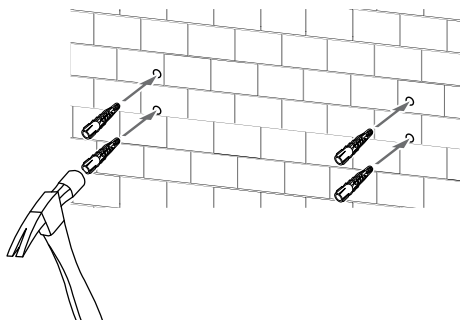
- Soovitame teleri paigutust kontrollida selle vaatamiskohast.



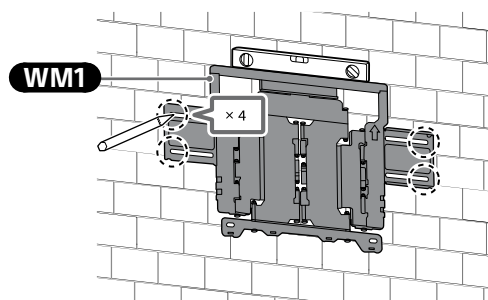
3 Puurige tähistatud kohtadesse abiaugud.



4

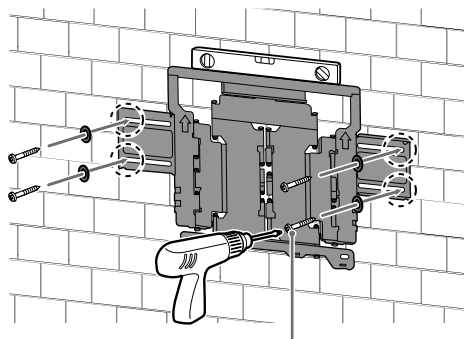


2 Joondage WM1 seina külge ja tehke neli märki.

**Märkus.**

- Kontrollige loodi abil, kas WM1 on loodis.

5 Kasutage WM1 seinale paigaldamiseks sobivaid kruvisid (pole komplektis) ja seibe (pole komplektis).



8 mm × 60 mm

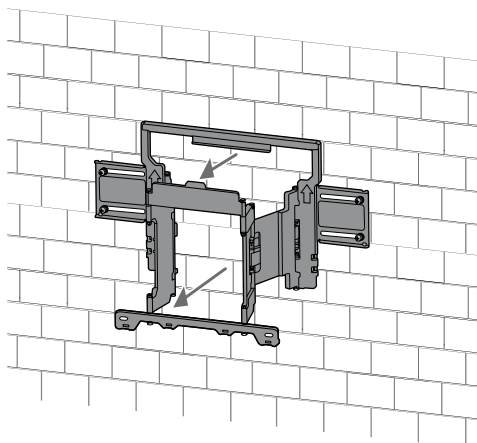
Märkus.

- Kontrollige loodi abil, kas seinale paigaldamise kinnitus on loodis.

Ettevaatust!

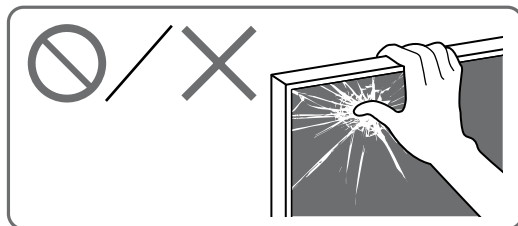
- Ärge pingutage üleliia puidust kruvisid 8 mm × 60 mm. Vale pingutamine võib vähendada puidust kruvide 8 mm × 60 mm hoidejõudu.

6 Tõmmake raami tugi lõpuni välja.

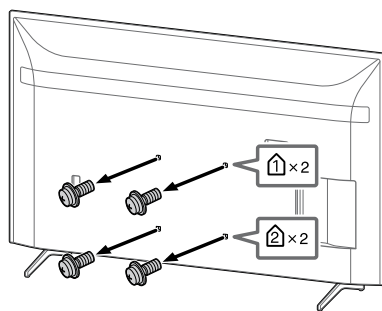


Ettevalmistus teleri paigaldamiseks

Kinnitage kindlasti vastavalt seadistusjuhendile enne teleri seinale paigaldamist lauapealne alus.



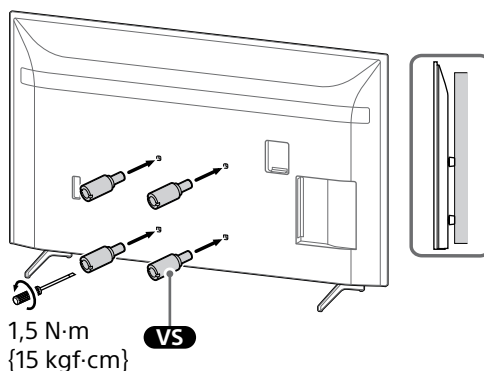
1 Eemaldage teleri tagaküljelt kruvid.



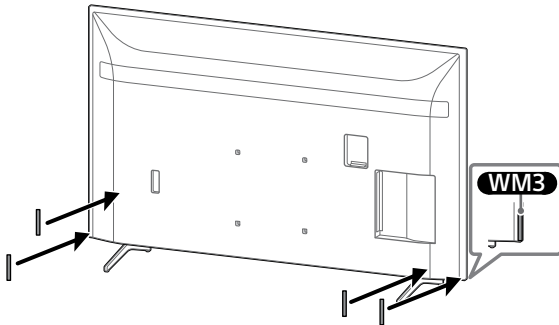
Märkus.

- Hoidke eemaldatud kruvisid ja kasutamata osasid kindlas lastele kättesaamatus kohas.

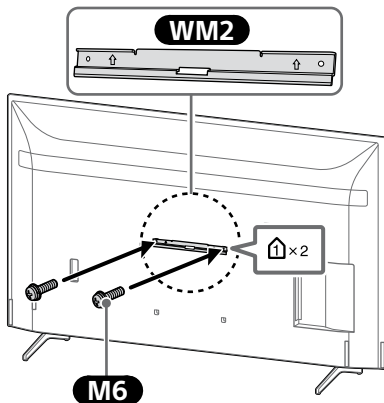
2 Kinnitage seinale paigaldamise ühendus (kuulub teleri komplekti) teleri tagaküljele (et teler püsiks seinaga paralleelne).



3 Kinnitage WM3.

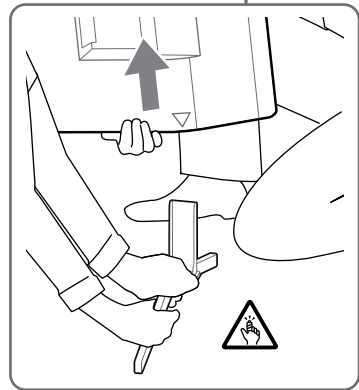
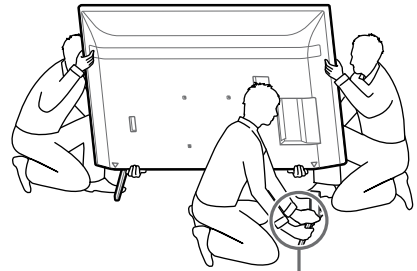


4 Kinnitage WM2 teleri külge, kasutades M6.



5 Eemaldage lauapealne alus telerilt.

- Eemaldage korraga üks lauapealse aluse pool. Hoidke mõlema käega lauapealsest alusest kindlalt kinni, samal ajal kui keegi teine telerit õhku tõstab.

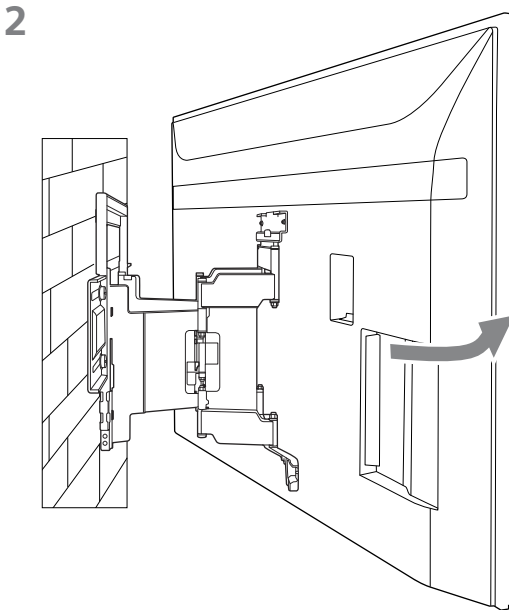
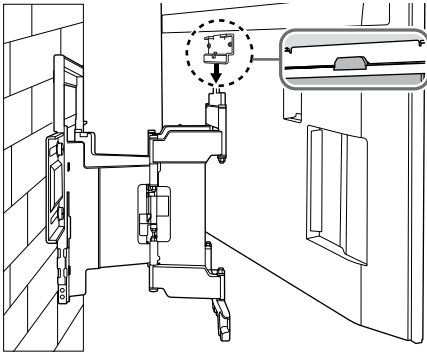
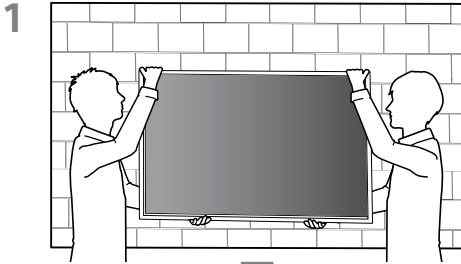


- Korrake eelmist etappi ja eemaldage aluse teine pool.

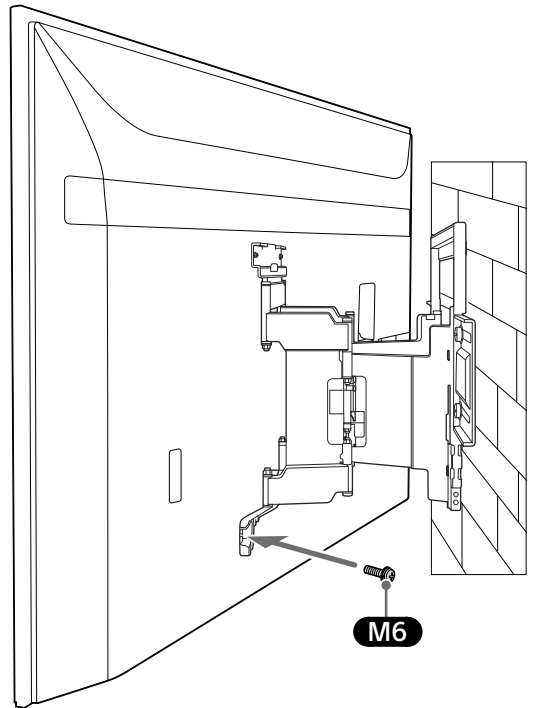
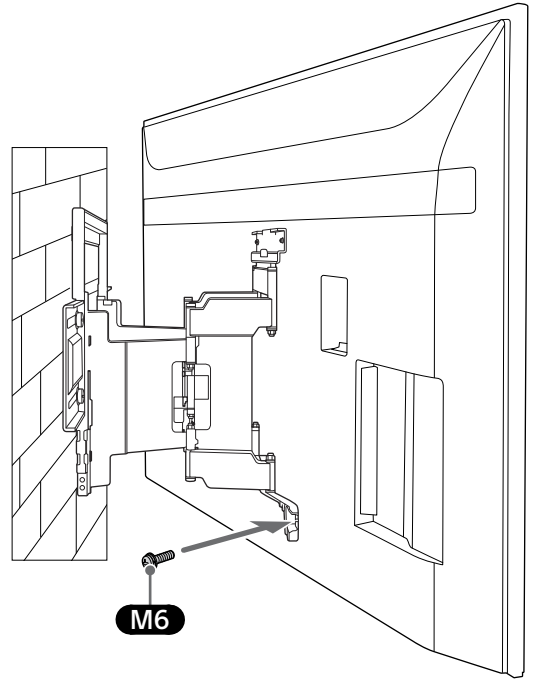
Märkus.

- Kolm või enam inimest peavad eemaldama lauapealse aluse.
- Ärge kasutage lauapealse aluse eemaldamisel telerist liigset jõudu, sest selle tulemusel võib teler kukkuda ning põhjustada inimvigastusi või teleri füüsilisi kahjustusi.
- Teleri kahjustuste vältimiseks käsitsege lauapealset alust ettevaatlikult.
- Olge ettevaatlik, kui tõstate lauapealse aluse eemaldamisel telerit, kuna lauapealne alus võib ümber kukkuda ja põhjustada kehavigastusi.
- Olge ettevaatlik, kui eemaldate telerilt lauapealse aluse, et see ei saaks ümber kukkuda ja kahjustada teleri aluseks olevat pinda.

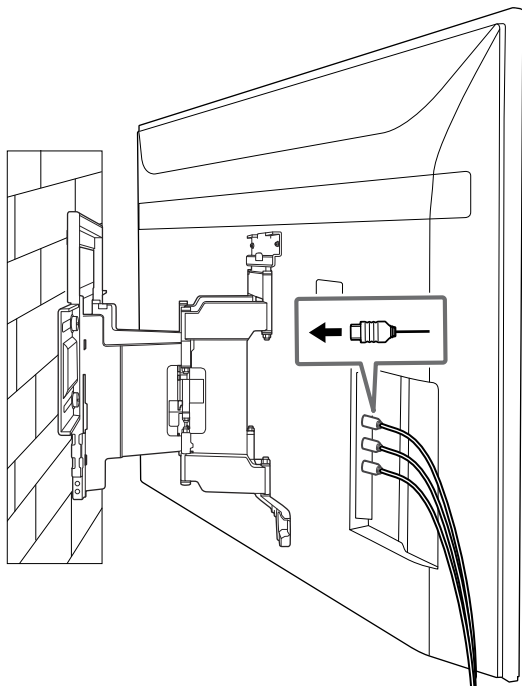
Teleri paigaldamine seinale



3 Kruvige seinale paigaldamise kinnituse vasak- ja parempool sisse.

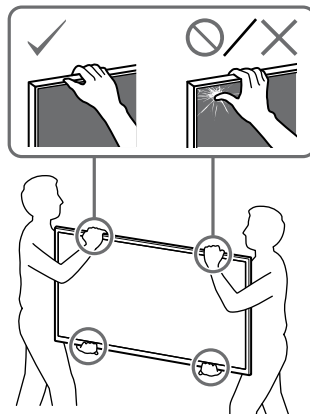


4

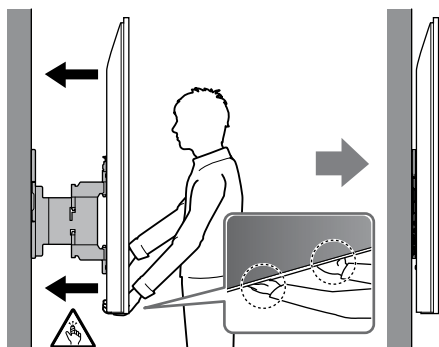


HOIATUS

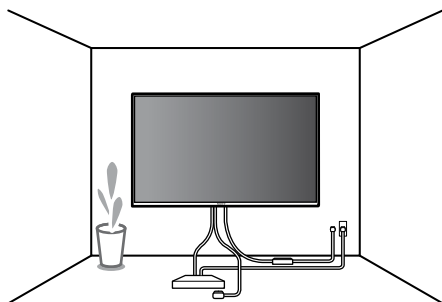
- Veenduge, et telerit kannavad vähemalt kaks inimest (või vähemalt kolm inimest, kui teler on 75-tolline või suurem).



5 Hoidke teleri liigutamisel seda korralikult põhjast kinni.



6



EE

Paigaldusjärgne kontroll

Kontrollige järgmist.

- Toite- ja ühenduskaablid ei ole väändunud ega kokku surutud.

HOIATUS

- Vahelduvvoolu toitekaabli jms paigaldamine valesse kohta võib põhjustada lühise tagajärjel elektrilöögi või tulekahju. Teostage paigaldusjärgne kontroll, et tagada ohutus.

Muu teave

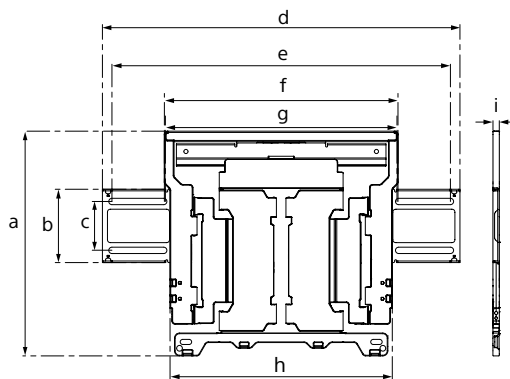
Teleri seinalt eemaldamisel järgige eelpool kirjeldatud paigaldustoimingut vastupidises järjekorras.

HOIATUS

- Veenduge, et telerit eemaldavad vähemalt kaks inimest (või vähemalt kolm inimest, kui teler on 75-tolline või suurem).

Tehnilised andmed

WM1



Mõõtmed: (umbes) [mm]

- a : 354
- b : 116
- c : 77
- d : 563
- e : 533
- f : 370
- g : 368
- h : 350
- i : 11

Mass (ainult alus): (umbes) [kg]

3,0

Disaini ja tehnilisi andmeid võidakse muuta ilma ette teatamata.

Uzstādīšanas informācija "Sony" sienas montāžas kronšteina izmantošanai (SU-WL850)

Atbalstītie modeļi*:

KD-75XH80xx / 65XH81xx / 65XH80xx / 55XH81xx / 55XH80xx
KE-75XH80xx / 65XH81xx / 65XH80xx / 55XH81xx / 55XH80xx

* Piedāvāto modeļu nosaukumos "xx" norāda katram modelim unikālus skaitļus un/vai rakstzīmes.

Informācija klientiem

izstrādājuma aizsardzības un drošības apsvērumu dēļ "Sony" iesaka televizoru uzstādīšanu uzticēt "Sony" izplatītājiem vai licencētiem uzņēmējiem. Nemēģiniet to uzstādīt saviem spēkiem.

"Sony" izplatītājiem un darbu izpildītājiem

Uzstādīšanas un arī periodisko apkopju un pārbažu laikā pievērsiet lielu uzmanību drošībai.

Šī izstrādājuma uzstādīšanai ir nepieciešamas atbilstošas zināšanas, it īpaši, lai noteiktu, vai siena spēs izturēt televizora svaru. Izstrādājuma piestiprināšanu pie sienas uzticiet "Sony" izplatītājiem vai licencētiem darbu uzņēmējiem un uzstādīšanas laikā pievērsiet uzmanību drošībai. "Sony" neuzņemsies atbildību par materiāliem zaudējumiem vai traumām, kas radušās nepareizas rīkošanās vai nepareizas uzstādīšanas dēļ.

Lai uzstādīšana būtu droša un pareiza, izpildiet pie sienas stiprināma kronšteina darbības norādījumus, kā arī televizora uzsākšanas ceļvedī un šajā rokasgrāmatā sniegtos norādījumus.

Kronšteins montāžai pie sienas

Drošība

Pateicamies, ka iegādājāties šo izstrādājumu.

Informācija klientiem

Televizora uzstādīšana pie sienas



BRĪDINĀJUMS!

JĀUZSTĀDA PROFESIONĀLAM MONTIERIM

Šo izstrādājumu ir atļauts uzstādīt tikai profesionālam montierim, kurš spēj noteikt, vai izvēlēta siena spēs noturēt televizora svaru. Ja montāžas laikā televizors netiek pienācīgi nostiprināts, tas var nokrist un radīt nopietnas traumas. "Sony" neuzņemas atbildību par jebkādiem zaudējumiem vai traumām, kas radušās nepareizas apiešanās vai montāžas rezultātā, vai ja montāžai nav izmantots "Sony" apstiprināts ražojums. Jūsu likumīgās tiesības (ja tādas attiecināmas) paliek spēkā.

Informācija "Sony" izplatītājiem

Lai uzstādītu šo izstrādājumu, vajadzīgas atbilstīgas prasmes. Lai varētu droši uzstādīt izstrādājumu, noteikti izlasiet šo rokasgrāmatu. "Sony" neuzņemas atbildību par bojājumiem vai traumām, kas rodas, ja izstrādājums netiek izmantots vai uzstādīts pareizi. Pēc izstrādājuma uzstādīšanas nododiet šo rokasgrāmatu klientam.

Šajā rokasgrāmatā paskaidrots, kā pareizi apieties ar izstrādājumu un kas jāņem vērā, lai izvairītos no negadījumiem. Jums ir noteikti pilnīgi jāizlasa, jāizprot un jāievēro visas šajā lietošanas rokasgrāmatā sniegtās norādes. Pretējā gadījumā jūs riskējat gūt nopietnas traumas, sabojāt īpašumu, un garantija var tikt atcelta. Saglabājiet šo rokasgrāmatu, lai vajadzības gadījumā varētu to pārskatīt.

Visi "Sony" izstrādājumi ir radīti, domājot par drošību. Taču, ja izstrādājums tiek izmantots nepareizi, jūs varat gūt nopietnas traumas, kuras rada uguns, strāvas trieciens un ierīces apgāšanās vai nokrišana. Noteikti ievērojiet drošības norādes, lai izvairītos no šādiem negadījumiem.

UZMANĪBU!

Specializēti izstrādājumi

Šis sienas kronšteins paredzēts lietošanai ar noteiktiem televizoriem. Skatiet televizora "Atsauces ceļvedis", lai uzzinātu, vai varat izmantot kronšteinu montāžai pie sienas.

Informācija klientiem

BRĪDINĀJUMS!

Neievērojot tālākās norādes, var gūt smagas vai nāvējošas traumas aizdegšanās, strāvas trieciena vai ierīces nokrišanas rezultātā.

Uzticiet uzstādīšanu licencētiem līgumstrādniekiem un raugieties, lai uzstādīšanas laikā tuvumā neatrastos mazi bērni.

Ja kronšteins stiprināšanai pie sienas vai televizors nav uzstādīts pareizi, rodas tālāk norādīto negadījumu risks. Uzstādīšanu noteikti uzticiet licencētiem līgumstrādniekiem.

- Televizors var nokrist un radīt jums nopietnas traumas, piemēram, nobrāzumus vai lūzumus.
- Ja siena, pie kuras piestiprināts kronšteins, ir nestabila, nelidzena vai tā nav perpendikulāra attiecībā pret grīdu, ierīce var nokrist un radīt jums traumas vai materiālus zaudējumus. Sienai jāspēj noturēt svaru, kas vismaz sešas reizes pārsniedz televizora svaru. (Lai uzzinātu televizora svaru, skatiet "Atsauces ceļvedis".)
- Ja kronšteins pie sienas nav pienācīgi piestiprināts, konstrukcija var nokrist un radīt jums traumas vai materiālus zaudējumus.

Televizora pārvietošanu vai noņemšanu no kronšteina noteikti uzticiet licencētiem līgumstrādniekiem.

Ja televizoru pārvieto vai noņem nelicencētas personas, tas var nokrist un radīt traumas vai materiālus zaudējumus. Nodrošiniet, lai televizoru nestu vai noņemtu vismaz divas personas (vismaz trīs personas, ja televizora ekrāns ir 75 collas vai lielāks).

Kad televizors ir piestiprināts pie kronšteina, neizskrūvējiet skrūves u. c.

Pretējā gadījumā televizors var nokrist un radīt traumas vai materiālus zaudējumus.

Nepārveidojiet sienas kronšteina detaļas.

Pretējā gadījumā sienas kronšteins var nokrist un radīt traumas vai materiālus zaudējumus.

Pie kronšteina piestipriniet tikai tam paredzētas ierīces.

Šis sienas kronšteins ir paredzēts lietošanai ar noteiktām ierīcēm. Uzstādot neapstiprinātas ierīces, tās var nokrist vai salūzt un radīt jums traumas vai materiālus zaudējumus.

Uz kronšteina atļauts balstīt tikai televizoru. Nekratiet televizoru pa kreisi/labi, uz augšu/leju.

Pretējā gadījumā televizors var nokrist un radīt traumas vai materiālus zaudējumus.

Neatspiedieties pret televizoru vai nekarājieties pie tā.

Neatspiedieties pret televizoru vai nekarājieties pie tā, jo tas var uzkrīst jums virsū un radīt nopietnas traumas.

UZMANĪBU!

Neievērojot tālāk norādītās instrukcijas, jums var rasties traumas vai materiāli zaudējumi.

- Uzstādot kronšteinu montāžai pie sienas vai pagriežot televizoru, rīkojoties uzmanīgi, lai nesaspiestu pirkstus.
- Pagriežot televizoru, rīkojieties uzmanīgi, lai ar to netrāpītu tuvumā esošajiem.
- Neizmantojot detaļas noglabājiet drošā vietā turpmākai lietošanai. Uzglabājiet tās bērniem nepieejamā vietā.

Tīrot vai veicot apkopi, nepielietojiet pārāk daudz spēka.

Darbojoties ar televizora augšpusi, nepielietojiet pārāk daudz spēka. Pretējā gadījumā televizors var nokrist un radīt traumas vai materiālus zaudējumus.

Noderīga informācija

- Ja televizors pie sienas kronšteina ir piestiprināts ilgu laiku, atkarībā no sienas materiāla siena aiz vai virs televizora var iekrāsoties citā krāsā vai var atīmēties tapetes.
- Kad sienas kronšteins tiek noņemts, sienā paliek skrūvju caurumi.
- Nelietojiet sienas kronšteinu vietās, kur uz to var iedarboties mehāniskas vibrācijas.

Sienas kronšteina uzstādīšana

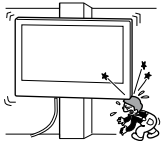
Informācija "Sony" izplatītājiem

BRĪDINĀJUMS!

Tālākās instrukcijas paredzētas tikai "Sony" izplatītājiem. Noteikti izlasiet iepriekš norādīto drošības informāciju un ievērojiet drošību, kad uzstādāt, apkopjat vai pārbaudāt šo izstrādājumu.

Neuzstādiet sienas kronšteinu vietās, kur televizora stūri vai sāni pēc tam atradīsies nost no uzstādīšanas virsmas.

Neuzstādiet sienas kronšteinu vietās, kur televizora stūri vai sāni pēc tam atradīsies nost no uzstādīšanas virsmas, piemēram, pie kolonnas. Ja cilvēks vai priekšmets uzgrūdsies televizora sāniem vai stūrim, kas atrodas nost no virsmas, var rasties traumas vai materiāli zaudējumi.

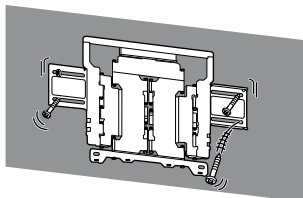


Neuzstādiet televizoru virs vai zem gaisa kondicionētāja.

Ja uz televizora nonāk ūdens vai uz to ilgstoši tiek pūsta gaisa plūsma no kondicionētāja, var rasties uguns vai strāvas trieciena risks vai televizors var sākt darboties nepareizi.

Noteikti uzstādiet sienas kronšteinu pareizi un ievērojiet norādes šajā rokasgrāmatā.

Ja kāda no skrūvēm ir vaļīga vai izkritusi, sienas kronšteins var nokrist un radīt traumas vai materiālus zaudējumus. Izmantojiet sienas materiālam piemērotas skrūves un uzstādiet ierīci droši, izmantojot 8 mm diametra (vai līdzīgas) skrūves.



Piegādātās skrūves un stiprinājuma detaļas izmantojiet pareizi, kā norādīts šajā lietošanas rokasgrāmatā. Izmantojot citas detaļas, televizors var nokrist un tikt bojāts vai radīt traumas.

Kronšteinu samontējiet, ievērojot lietošanas rokasgrāmatā norādīto procesu.

Ja kāda no skrūvēm ir vaļīga vai izkritusi, televizors var nokrist un tikt bojāts vai arī radīt traumas.

Kārtīgi pievelciet skrūves paredzētajās vietās.

Pretējā gadījumā televizors var nokrist un tikt bojāts vai arī radīt traumas citiem.

Uzstādot televizoru, nepakļaujiet to triecieniem.

Ja televizors tiek pakļauts triecienam, tas var nokrist vai salūzt. Tas var radīt traumas.

Televizoru uzstādiet uz sienas, kas ir gan perpendikulāra attiecībā pret grīdu, gan līdzena.

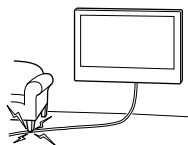
Pretējā gadījumā televizors var nokrist un radīt traumas.

Kad televizors ir uzstādīts, cieši nostipriniet vadus.

Ja cilvēki vai priekšmeti sapīsies vadus, tas var radīt traumas cilvēkiem vai bojāt televizoru.

Nesaspiediet maiņstrāvas vadu vai savienojuma kabeli.

Ja maiņstrāvas vads vai savienojuma kabelis ir iespiests starp kronšteinu un sienu vai ar spēku tiek locīts vai vērpts, iekšējie vadi var atsegties un radīt issavienojumu vai strāvas caursīti. Tas var izraisīt aizdegšanos vai strāvas triecienu.



Skrūves kronšteina piestiprināšanai pie sienas nav iekļautas komplektā.

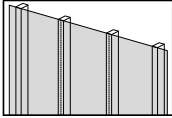
Piestiprinot sienas kronšteinu, izmantojiet skrūves, kas piemērotas sienas materiālam un uzbūvei.

Pirms darba uzsākšanas

Pirmkārt, pārbaudiet, no kāda materiāla ir siena, kur vēlaties piestiprināt televizoru.

No kāda materiāla ir veidota siena?

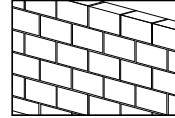
Rīgpīša siena ar profiliem



Noderīga informācija

- Maksimālais rīgpīša sienas biezums: 16 mm.
- Pārlicinieties, ka iekšējais koka profila izmērs ir vismaz 51 x 102 mm vispārīgos gadījumos vai 38 x 89 mm nomināli.
- Raugiet, lai minimālais attālums starp stiprinājumiem horizontālā virzienā būtu 406 mm.

Lietš betons vai betona bloki



Noderīga informācija

- Uztādiet kronšteinu montāžai pie sienas tieši pie lietā betona sienas.
- Pārlicinieties, ka lietā betona sienas biezums ir vismaz 203 mm.
- Pārlicinieties, ka atsevišķo betona bloku izmērs ir vismaz 203 x 203 x 406 mm.

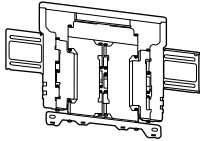

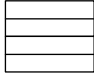

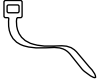
Sagatavošanās uzstādīšanai

- Pirms uzstādīšanas sagatavojiet televizora atsauces rokasgrāmatu un uzsākšanas ceļvedi.
- Pārbaudiet televizora uzstādīšanas pozīciju.
- Sagatavojiet četras 8 mm diametra skrūves un četras atbilstošas paplāksnes (neietilpst komplektā).
Izvēlieties skrūves, kas piemērotas sienas materiālam.

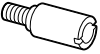
Daļu pārbaude

Komplektā ar SU-WL850

- Pārbaudiet, vai iekļautas visas daļas.



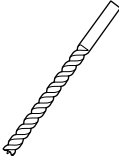
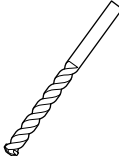
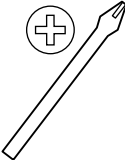




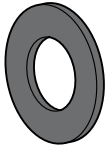

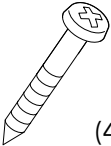
A WM1 (1) 	B WM2 (1) 
C WM3 (4) 	D M6 (4) 
E WT1 (6) 	

Komplektā ar televizoru

VS Stiprinājums montāžai pie sienas (4) 



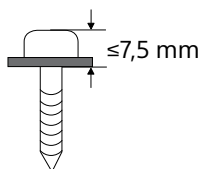
Vajadzīgie instrumenti

*1 	  5,5 mm  10 mm 		
*2 		 1,5 N·m {15 kgf·cm}	
*3  (4)	*2  (4)	*3  (4) 8 mm x 60 mm	

*1 Tikai rīgipša sienām ar profiliem

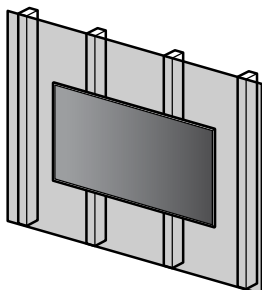
*2 Tikai lietam betonam vai betona blokam

*3 Pievērsiet uzmanību, izvēloties skrūves un paplāksnes

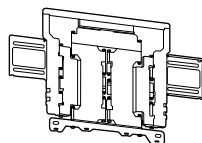


A Televizora nostiprināšana pie rīgpša sienas ar profiliem

Rīgpša siena ar profiliem



WM1

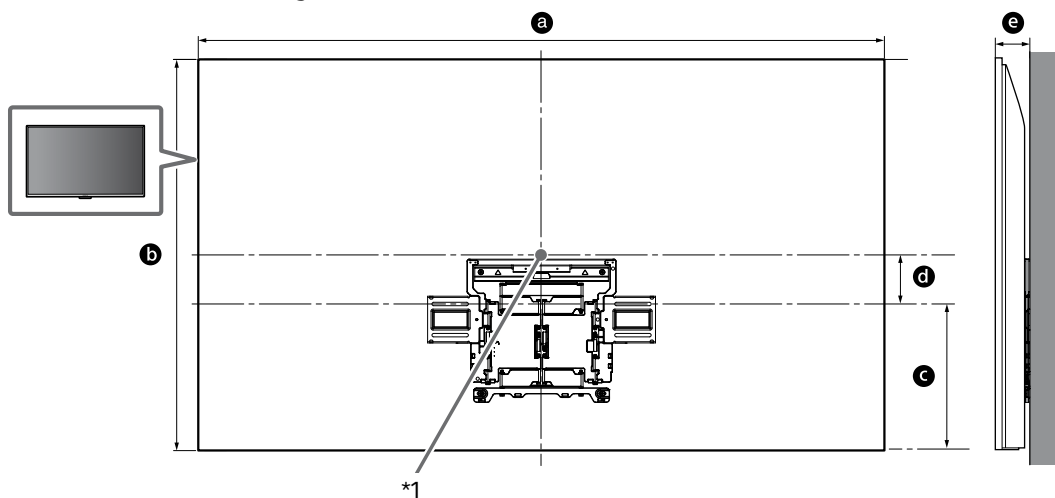


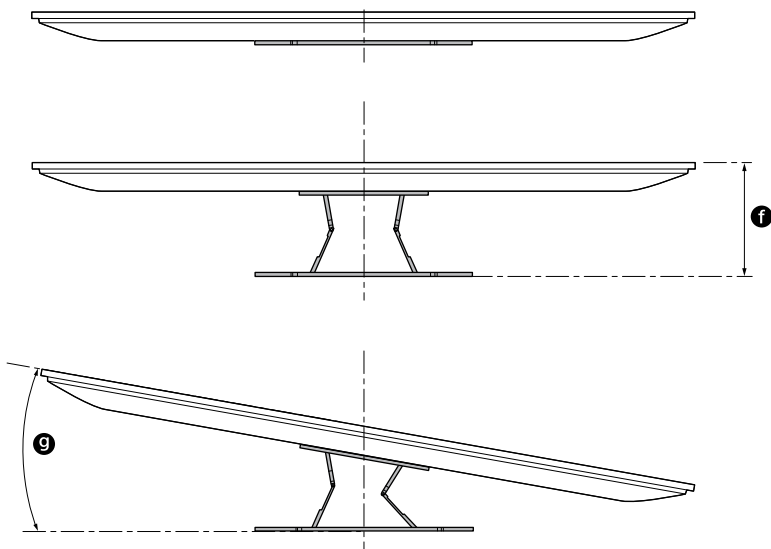
Kronšteina montāža pie sienas

1 Izvēlieties uzstādīšanas vietu.

Pārbaudiet, vai siena ir pietiekami liela un spēj noturēt svaru, kas vienāds ar četrkāršu televizora svaru.

Skatiet turpmāk norādīto tabulu televizora uzstādīšanai pie sienas. Televizora svaru skatiet televizora atsauces rokasgrāmatā.





(mm)

Modeļa nosaukums	a	b	c	d	e	f*2	g*2 (°)
KD-75XH80xx	1686	969	364	123	86	288	15
KE-75XH80xx							
KD-65XH81xx	1462	841	365	59	83	287	18
KE-65XH81xx							
KD-65XH80xx							
KE-65XH80xx	1243	718	365	3	83	287	20
KD-55XH81xx							
KE-55XH81xx							
KD-55XH80xx							
KE-55XH80xx							

Televizora uzstādīšanas izmēru tabula (mm)

Izmēri tabulā var nedaudz mainīties atkarībā no uzstādīšanas.

*1 (Ekrāna centrālais punkts)

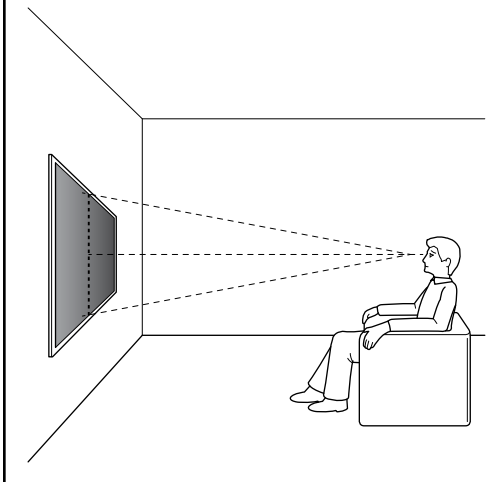
*2 (Apm.)

Piezīme

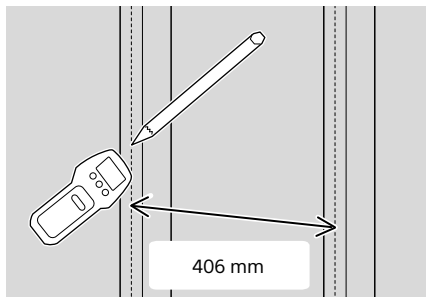
- Pēc televizora uzstādīšanas pie sienas tā augšējā daļa nedaudz sasveras uz priekšu.

Piezīme

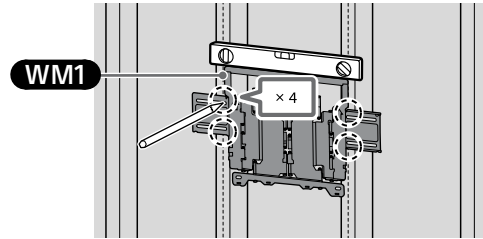
- Mēs iesakām pārbaudīt televizora novietojumu paredzētajā skatīšanās vidē.



2



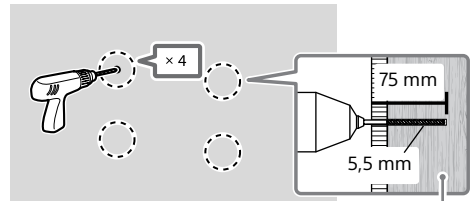
3 Pielieciet **WM1** pie sienas un iezīmējiet četrās vietās uz profiliem.



Piezīme

- Izmantojiet līmeņrādi, lai pārlicinātos, vai **WM1** ir uzstādīts taisni.

4 Augšējo iezīmju vietās izveidojiet palīgurbumus.

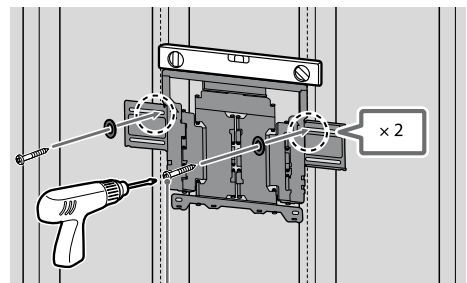


Profils vai pastiprinājums

Piezīme

- Palīgurbumi jāveic 75 mm dziļumā, izmantojot urbi 5,5 mm diametrā.

5 Nostipriniet **WM1** pie sienas, izmantojot piemērotas skrūves (neietilpst komplektā) un aplāksnes (neietilpst komplektā).



8 mm × 60 mm

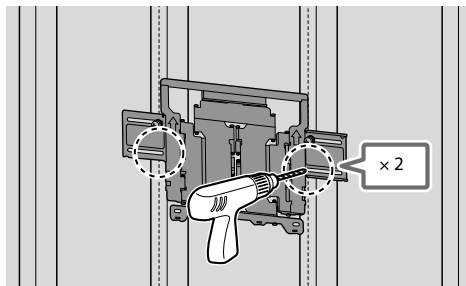
Piezīme

- Izmantojiet līmeņrādi, lai pārlicinātos, vai **WM1** ir uzstādīts taisni.

Brīdinājums

- Nepievelciet koka skrūvi 8 mm × 60 mm pārāk stingri. Neatbilstīga pievilkšana var mazināt koka skrūves 8 mm × 60 mm saturēšanas spēku.

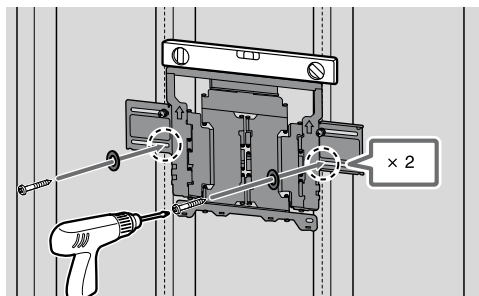
- 6 Apakšējo iezīmju vietās izveidojiet palīgurbumus. (Norādījumus par urbi skatiet 4. punktā.)



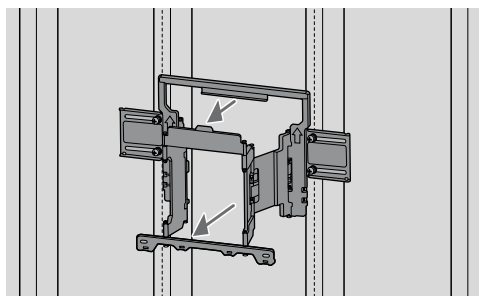
- 7 Urbumos izmantojiet atbilstošas skrūves un aplāksnes.

Piezīme

- Izmantojiet līmeņrādi, lai pārlicinātos, vai kronšteins montāžai pie sienas ir uzstādīts taisni.

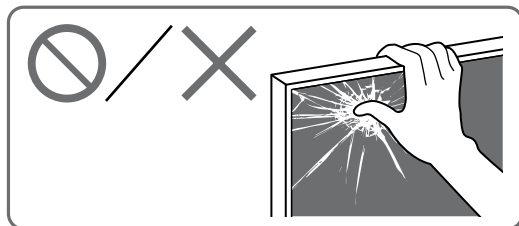


- 8 Izvelciet kronšteina sviru līdz galam.

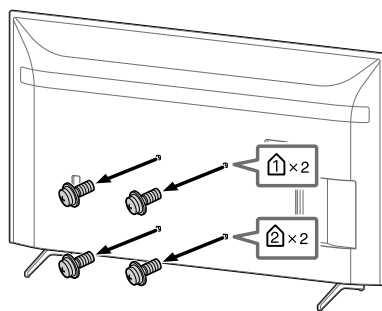


Sagatavošanās televizora uzstādīšanai

Vispirms noteikti piestipriniet galda statīvu un tikai tad uzstādiet televizoru pie sienas, vadoties pēc darba uzsākšanas ceļveža.



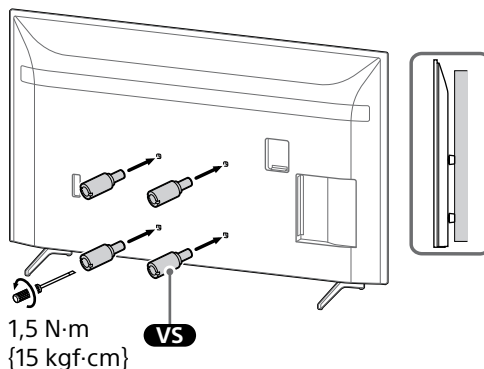
- 1 Izskrūvējiet televizora aizmugurē esošās skrūves.



Piezīme

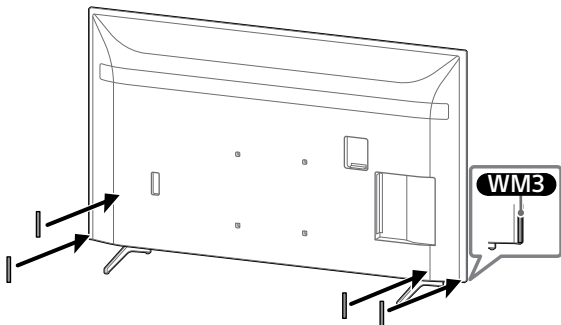
- Izskrūvētās skrūves un neizmantotās daļas noteikti uzglabājiet drošā, bērniem nepieejamā vietā.

- 2 Pievienojiet stiprinājumu montāžai pie sienas (ietilpst televizora komplektā) televizora aizmugurē (lai tas atrastos paralēli sienai).

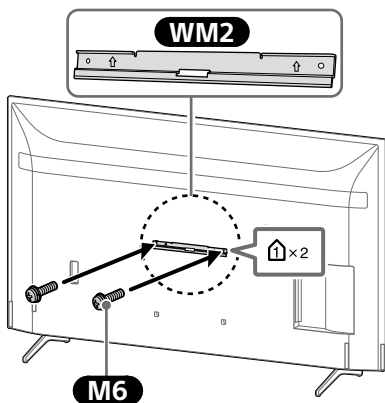


LV

3 Piestipriniet **WM3**.

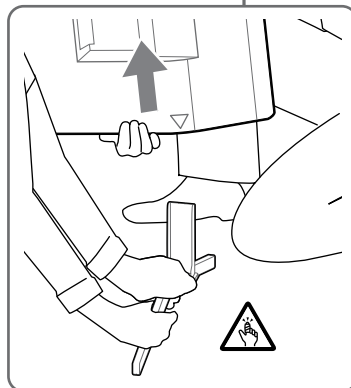
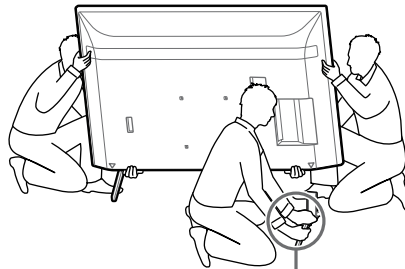


4 Nostipriniet **WM2** pie televizora, izmantojot **M6**.



5 Atvienojiet no televizora galda statīvu.

- Noņemiet galda statīva puses pa vienai. Stingri turiet galda statīvu ar abām rokām, kamēr palīgi paceļ televizoru.

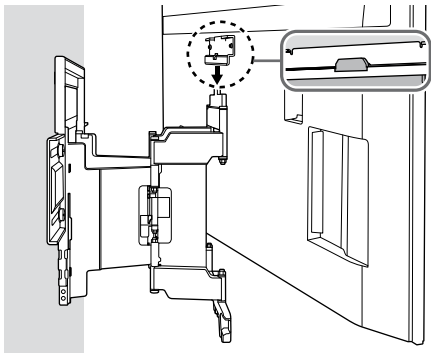
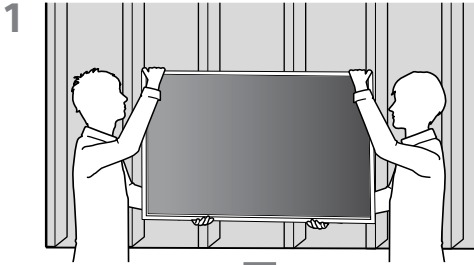


- Atkārtojiet iepriekšējo darbību un noņemiet galda statīva otru pusi.

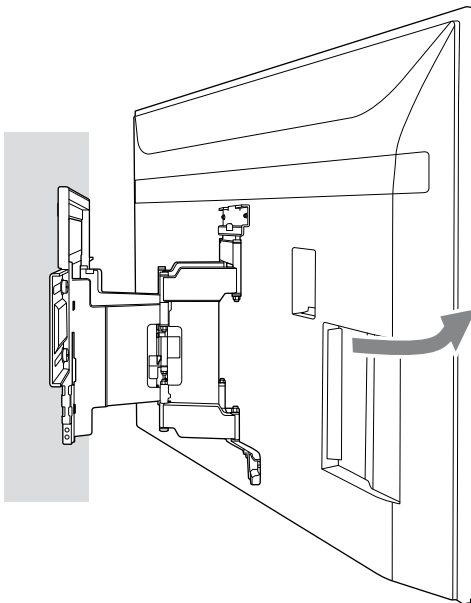
Piezīme

- Lai atvienotu galda statīvu, nepieciešama vismaz trīs cilvēku palīdzība.
- Galda statīvu nedrīkst atvienot no televizora ar pārmērīgu spēku, jo tādējādi televizors var nokrist un radīt traumas vai televizora bojājumus.
- Veicot darbības ar galda statīvu, ievērojiet piesardzību, lai novērstu televizora bojājumus.
- Ja galda statīvs nav nostiprināts, uzmanieties, ceļot televizoru, jo statīvs var gāzties un radīt traumas.
- Uzmanieties, noņemot televizoram galda statīvu, lai nepieļautu televizora apgāšanos un virsmas, uz kuras balstās televizors, sabojāšanu.

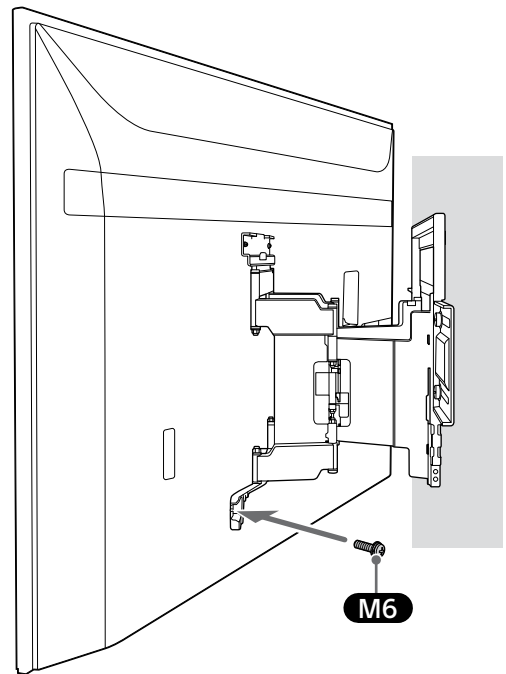
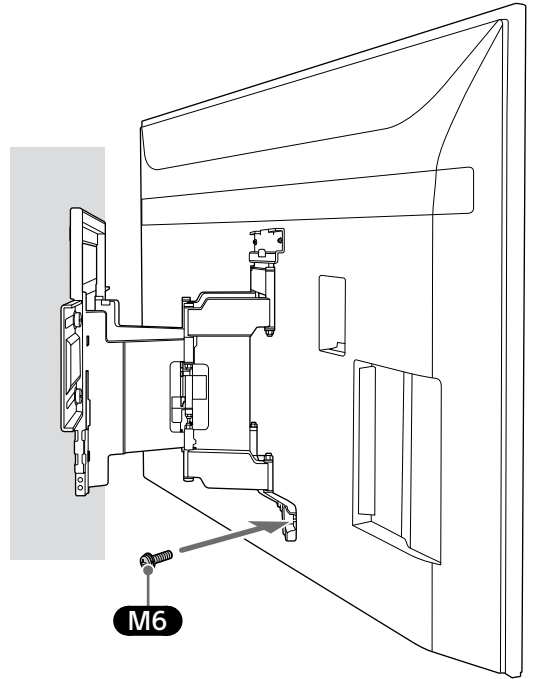
Televizora piestiprināšana pie sienas



2

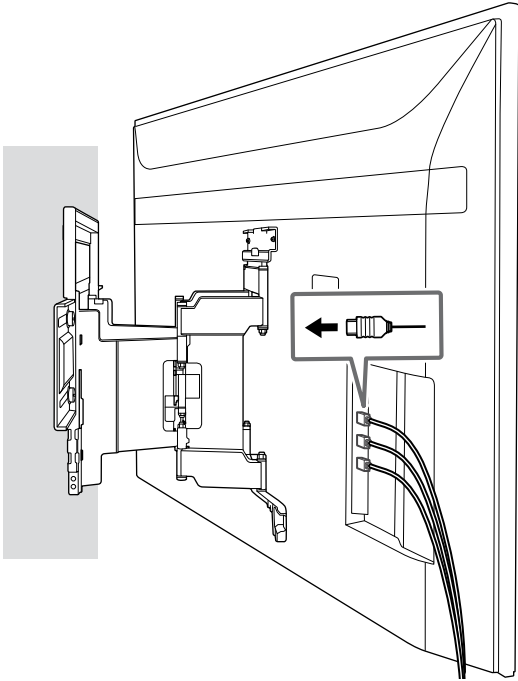


3 Pieskrūvējiet kronšteina montāžai pie sienas labo un kreiso pusi.

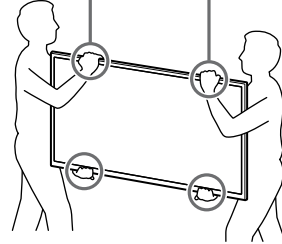


LV

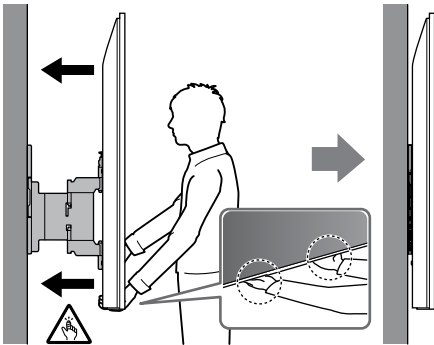
4

**BRĪDINĀJUMS!**

- Nodrošiniet, lai televizoru nešanas laikā turētu vismaz divas personas (vismaz trīs personas, ja televizora ekrāns ir 75 collas vai lielāks).



5 Pārvietojot televizoru, cieši satveriet to no apakšas.



Pārliecinieties, vai uzstādīšana veiksmīgi pabeigta

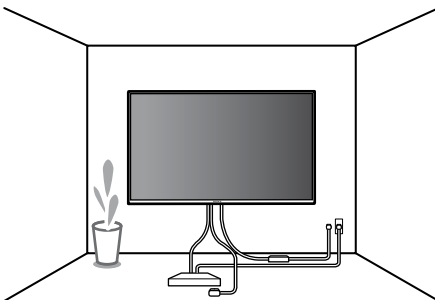
Pārliecinieties par tālāko.

- Vads un kabelis nav savērpts vai saspiests.

BRĪDINĀJUMS!

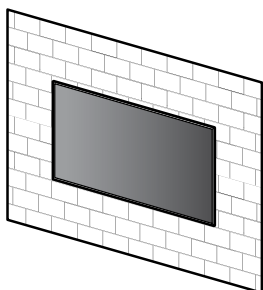
- Ja maiņstrāvas vads tiek novietots nepareizi, var rasties īssavienojums, kas var izraisīt aizdegšanos vai strāvas triecienu. Drošības labad noteikti pārliecinieties, vai uzstādīšana paveikta pareizi.

6

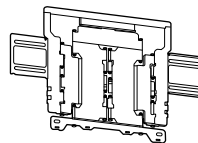


B Kronšteina montāžai pie sienas nostiprināšana pie lieta betona vai betona blokiem

Liets betons vai betona bloki



WM1

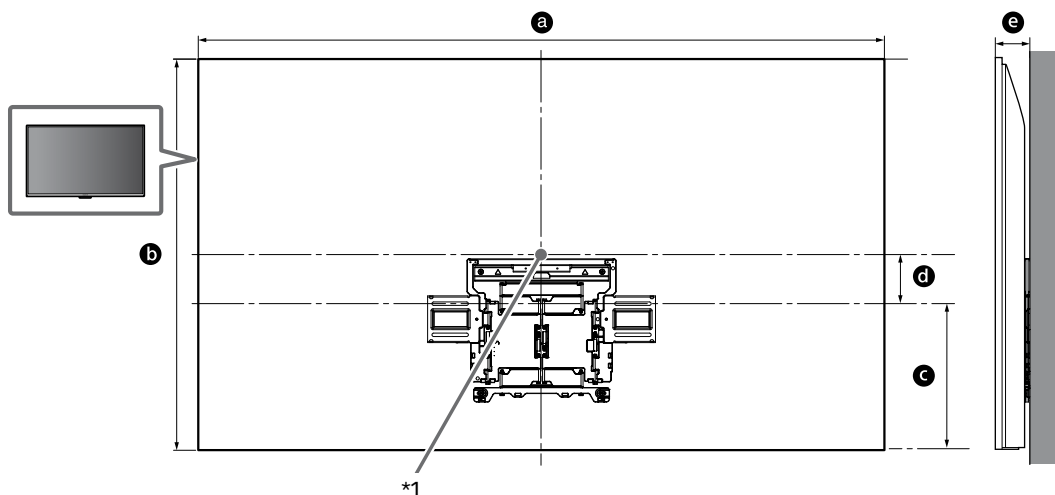


Kronšteina montāža pie sienas

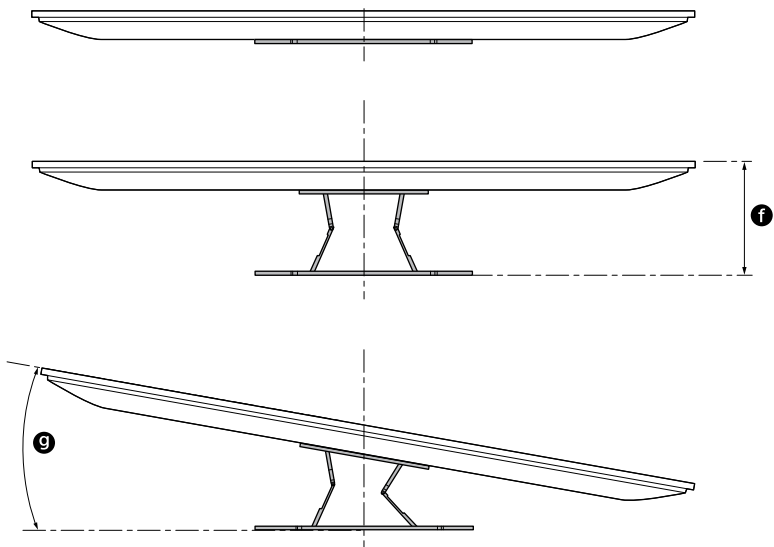
1 Izvēlieties uzstādīšanas vietu.

Pārbaudiet, vai siena ir pietiekami liela un spēj noturēt svaru, kas vienāds ar četrkāršu televizora svaru.

Skatiet turpmāk norādīto tabulu televizora uzstādīšanai pie sienas. Televizora svaru skatiet televizora atsauces rokasgrāmatā.



LV



(mm)

Modeļa nosaukums	a	b	c	d	e	f*2	g*2 (°)
KD-75XH80xx	1686	969	364	123	86	288	15
KE-75XH80xx							
KD-65XH81xx	1462	841	365	59	83	287	18
KE-65XH81xx							
KD-65XH80xx							
KE-65XH80xx	1243	718	365	3	83	287	20
KD-55XH81xx							
KE-55XH81xx							
KD-55XH80xx							
KE-55XH80xx							

Televizora uzstādīšanas izmēru tabula (mm)

Izmēri tabulā var nedaudz mainīties atkarībā no uzstādīšanas.

*1 (Ekrāna centrālais punkts)

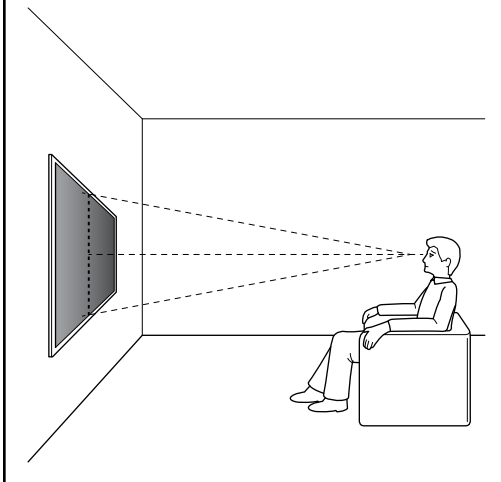
*2 (Apm.)

Piezīme

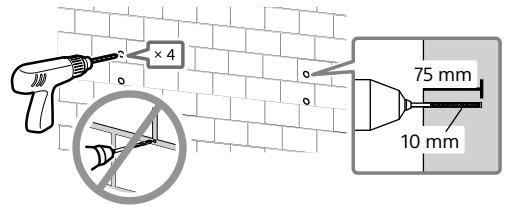
- Pēc televizora uzstādīšanas pie sienas tā augšējā daļa nedaudz sasveras uz priekšu.

Piezīme

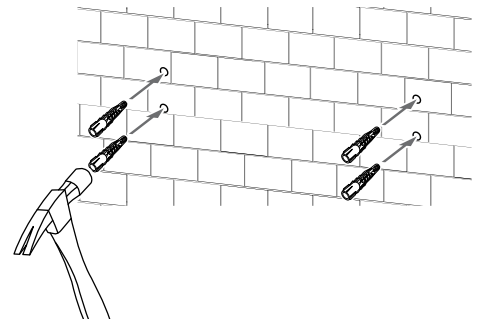
- Mēs iesakām pārbaudīt televizora novietojumu paredzētajā skatīšanās vidē.



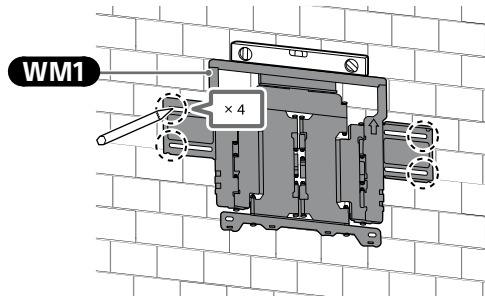
3 Atzīmju vietās izurbiet caurumus.



4



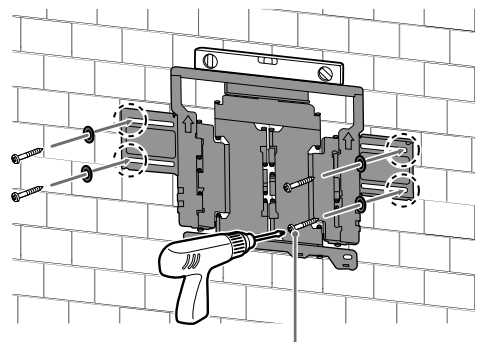
2 Pielieciet **WM1** pie sienas un iezīmējiet četrās vietās.



Piezīme

- Izmantojiet līmeņrādi, lai pārlicinātos, vai **WM1** ir uzstādīts taisni.

5 Nostipriniet **WM1** pie sienas, izmantojot piemērotas skrūves (neietilpst komplektā) un paplāksnes (neietilpst komplektā).



8 mm × 60 mm

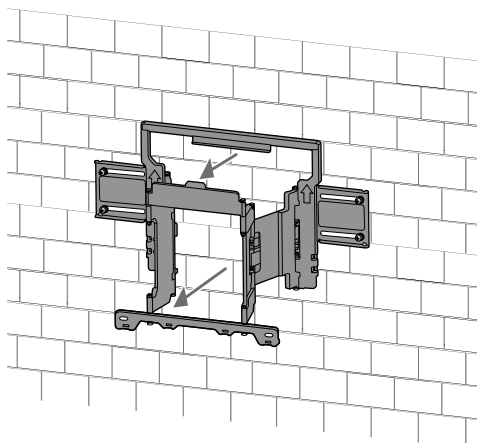
Piezīme

- Izmantojiet līmeņrādi, lai pārlicinātos, vai kronšteins montāžai pie sienas ir uzstādīts taisni.

Brīdinājums

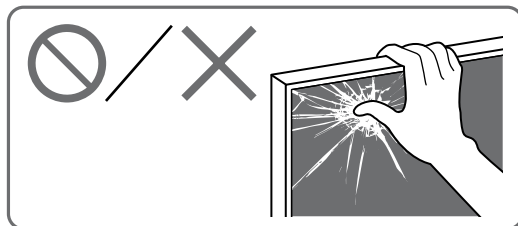
- Nepievelciet koka skrūvi 8 mm × 60 mm pārāk stingri. Neatbilstīga pievilkšana var mazināt koka skrūves 8 mm × 60 mm saturēšanas spēku.

6 Izvelciet kronšteina sviru līdz galam.

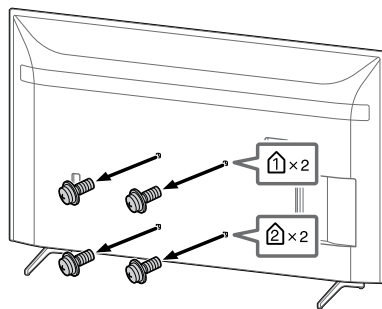


Sagatavošanās televizora uzstādīšanai

Vispirms noteikti piestipriniet galda statīvu un tikai tad uzstādiet televizoru pie sienas, vadoties pēc darba uzsākšanas ceļveža.



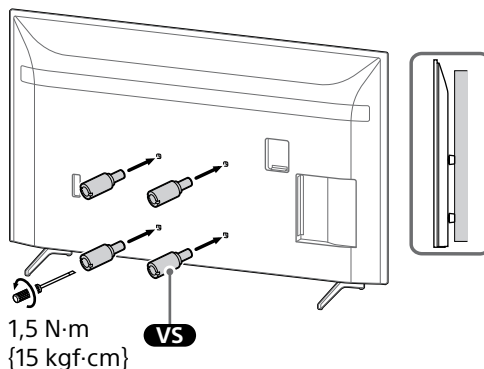
1 Izskrūvējiet televizora aizmugurē esošās skrūves.



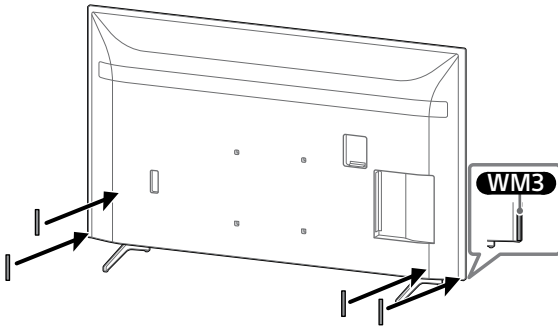
Piezīme

- Izskrūvētās skrūves un neizmantotās daļas noteikti uzglabājiet drošā, bērniem nepieejamā vietā.

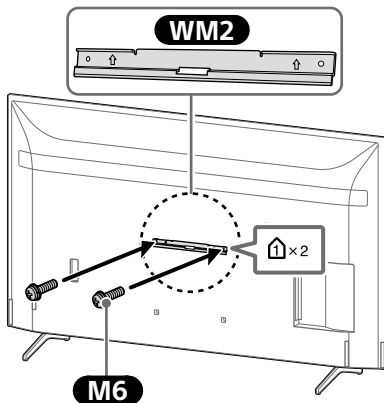
2 Pievienojiet stiprinājumu montāžai pie sienas (ietilpst televizora komplektā) televizora aizmugurē (lai tas atrastos paralēli sienai).



3 Piestipriniet **WM3**.

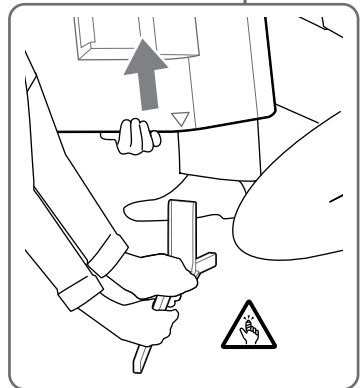
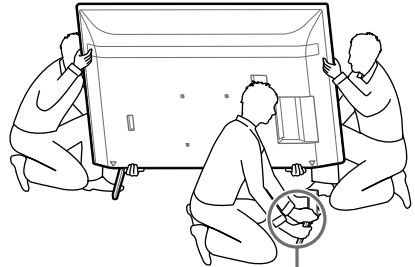


4 Nostipriniet **WM2** pie televizora, izmantojot **M6**.



5 Atvienojiet no televizora galda statīvu.

- Noņemiet galda statīva puses pa vienai. Stingri turiet galda statīvu ar abām rokām, kamēr palīgi paceļ televizoru.

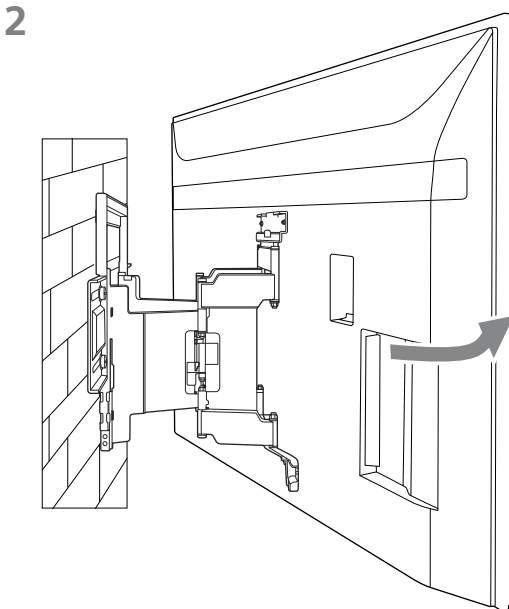
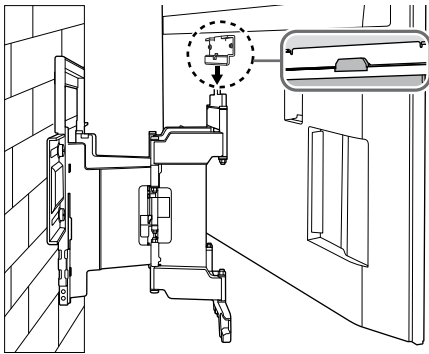
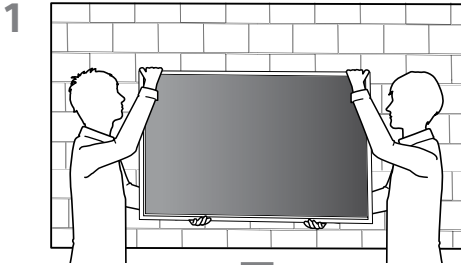


- Atkārtojiet iepriekšējo darbību un noņemiet galda statīva otru pusi.

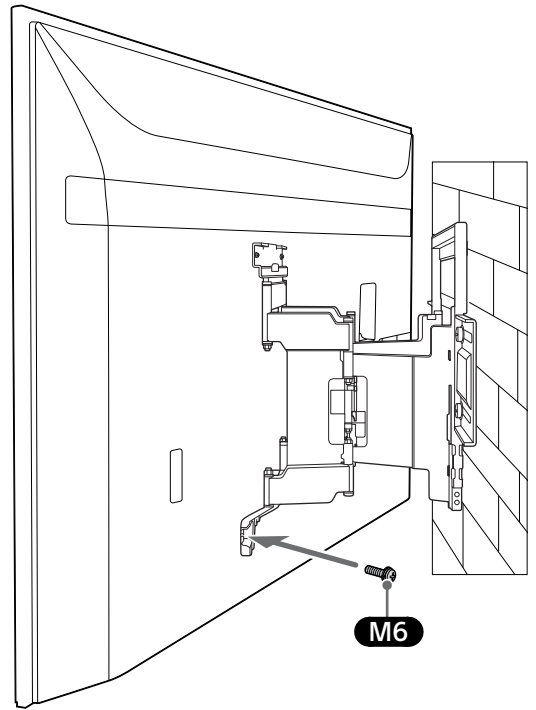
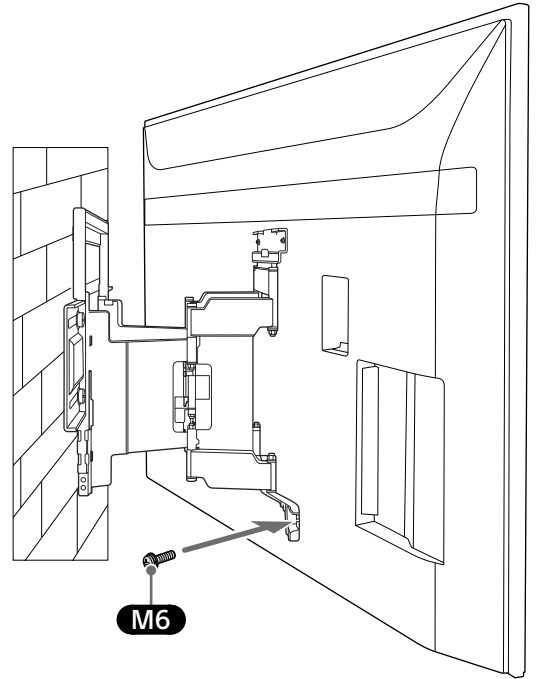
Piezīme

- Lai atvienotu galda statīvu, nepieciešama vismaz trīs cilvēku palīdzība.
- Galda statīvu nedrīkst atvienot no televizora ar pārmērīgu spēku, jo tādējādi televizors var nokrist un radīt traumas vai televizora bojājumus.
- Veicot darbības ar galda statīvu, ievērojiet piesardzību, lai novērstu televizora bojājumus.
- Ja galda statīvs nav nostiprināts, uzmanieties, ceļot televizoru, jo statīvs var gāzties un radīt traumas.
- Uzmanieties, noņemot televizoram galda statīvu, lai nepieļautu televizora apgāšanos un virsmas, uz kuras balstās televizors, sabojāšanu.

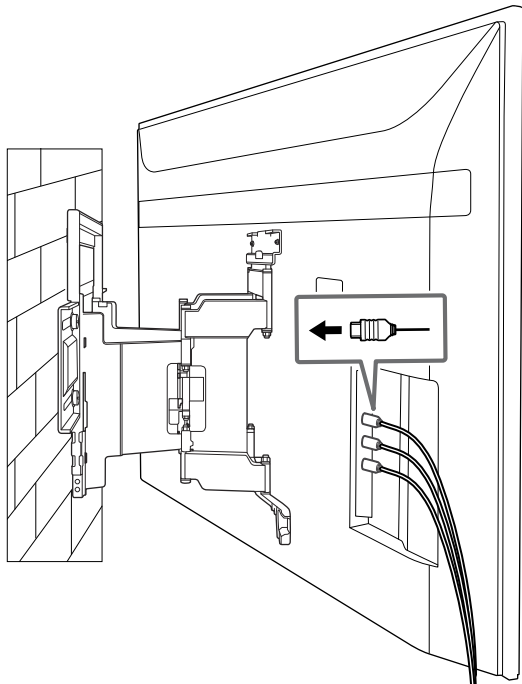
Televizora piestiprināšana pie sienas



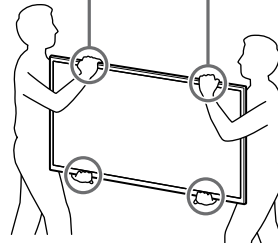
- 3 Pieskrūvējiet kronšteina montāžai pie sienas labo un kreiso pusi.



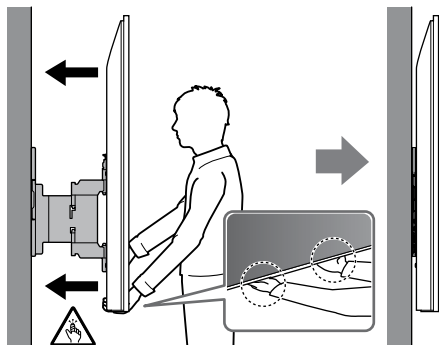
4

**BRĪDINĀJUMS!**

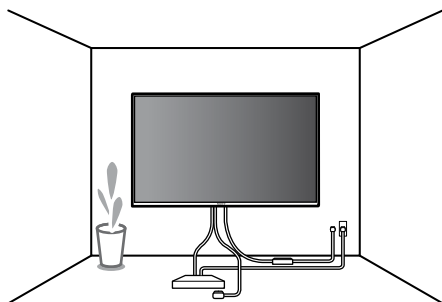
- Nodrošiniet, lai televizoru nešanas laikā turētu vismaz divas personas (vismaz trīs personas, ja televizora ekrāns ir 75 collas vai lielāks).



5 Pārvietojot televizoru, cieši satveriet to no apakšas.



6



Pārlicinieties, vai uzstādīšana veiksmīgi pabeigta

Pārlicinieties par tālāko.

- Vads un kabelis nav savērpts vai saspīests.

BRĪDINĀJUMS!

- Ja maiņstrāvas vads tiek novietots nepareizi, var rasties īssavienojums, kas var izraisīt aizdegšanos vai strāvas triecienu. Drošības labad noteikti pārlicinieties, vai uzstādīšana paveikta pareizi.

Cita informācija

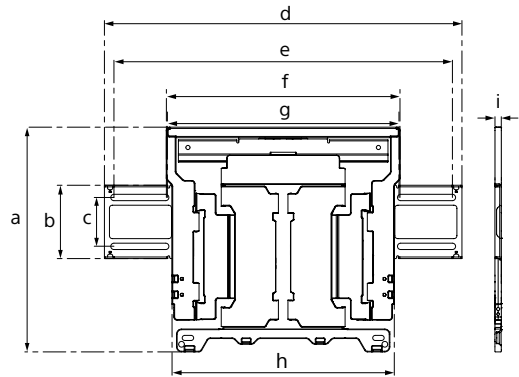
Noņemot televizoru, veiciet uzstādīšanas darbības pretējā secībā.

BRĪDINĀJUMS!

- Nodrošiniet, lai televizoru noņemšanas laikā turētu vismaz divas personas (vismaz trīs personas, ja televizora ekrāns ir 75 collas vai lielāks).

Specifikācijas

WM1



Izmēri: (Apm.) [mm]

a : 354
b : 116
c : 77
d : 563
e : 533
f : 370
g : 368
h : 350
i : 11

Svars (pamatne): (Apm.) [kg]

3,0

Konstrukcija un specifikācijas var tikt mainītas bez iepriekšēja brīdinājuma.

Tvirtinimo informacija norint naudoti „Sony“ prie sienos tvirtinamą laikiklį (SU-WL850)

Palaikomi modeliai*:

KD-75XH80xx / 65XH81xx / 65XH80xx / 55XH81xx / 55XH80xx

KE-75XH80xx / 65XH81xx / 65XH80xx / 55XH81xx / 55XH80xx

* Faktinių modelių pavadinimuose „xx“ rodo konkrečiai kiekvienam modeliui priskiriamus numerius ir (arba) ženklus.

Pirkėjams

Siekiant apsaugoti gaminį ir užtikrinti saugumą, „Sony“ griežtai rekomenduoja, kad televizorių pritvirtintų „Sony“ prekybos atstovai arba licencijuoti tiekėjai. Nemėginkite jį tvirtinti patys.

„Sony“ prekybos atstovams ir tiekėjams

Tvirtindami šį gaminį, atlikdami jo reguliarią priežiūrą ir patikrinimą, visą dėmesį skirkite saugumui.

Norint pritvirtinti šį gaminį, reikia turėti pakankamai kompetencijos, ypač nustatant, ar siena galės išlaikyti televizoriaus svorį. Pasirūpinkite, kad „Sony“ prekybos atstovai ar licencijuoti tiekėjai pritvirtintų šį gaminį prie sienos. Tvirtinant pakankamas dėmesys turi būti skirtas saugumui. „Sony“ nėra atsakinga už jokią žalą ar sužalojimus, kilusius dėl netinkamo pernešimo ar montavimo.

Kad saugiai ir tinkamai sumontuotumėte, vadovaukitės prie sienos tvirtinamo laikiklio instrukcijomis, televizijos nustatymo vadovu ir šio vadovo nurodymais.

Prie sienos tvirtinamas laikiklis

Sauga

Dėkojame, kad įsigijote šį gaminį.

Pirkėjams

TV montavimas prie sienos



ĮSPĖJIMAS

PRIVALO SUMONTUOTI SPECIALISTAS

Šį gaminį privalo įrengti tik profesionalus montuotojas, išmokytas nustatyti, ar siena yra pakankamai stipri, kad išlaikytų televizoriaus svorį. Jei montuojant televizorius nebus tinkamai pritvirtintas, jis gali nukristi ir sunkiai sužeisti. „Sony“ neatsako už žalą ar traumą, kilusią netinkamai elgiantis, netinkamai sumontavus ar sumontavus kitą nei nurodytas gaminyje. Jūsų teisėms pagal įstatymą (jei tokių yra) tai įtakos neturi.

„Sony“ prekybos atstovams

Norint sumontuoti šį gaminį, reikia turėti pakankamai kompetencijos. Atidžiai perskaitykite šią naudojimo instrukciją, kad montavimo darbus atliktumėte saugiai. „Sony“ nėra atsakinga už jokią žalą ar sužalojimus, kilusius dėl neteisingo pernešimo ar montavimo. Baigę montavimo darbus atiduokite šį vadovą pirkėjui.

Šioje naudojimo instrukcijoje rodoma, kaip teisingai elgtis su gaminiu ir pateikiamos svarbios atsargumo priemonės, kurių reikia laikytis, kad būtų išvengta nelaimingų atsitikimų. Jūs privalote perskaityti ir gerai suprasti visas šiame instrukcijų vadove pateiktas instrukcijas bei jų laikytis. To nepadarius, galima sunkiai susižeisti arba sugadinti turtą, tada garantija gali negalioti. Pasilikite šį vadovą, kad galėtumėte jį peržiūrėti ateityje.

„Sony“ gaminiai sukurti galvojant apie saugą. Jei gaminiai naudojami neteisingai, gali kilti gaisras, galima patirti elektros smūgį, gaminyje gali nuvirsti ar užkristi ir taip rimtai sužaloti. Laikykitės atsargumo priemonių dėl saugos, kad išvengtumėte tokių nelaimingų atsitikimų.

DĖMESIO

Tinkami gaminiai

Šis prie sienos tvirtinamas laikiklis skirtas tam tikriems TV. Pasižiūrėkite televizorių „Trumpasis vadovas“, ar galima naudoti prie sienos tvirtinamą laikiklį.

Pirkėjams

ĮSPĖJIMAS

Nesilaikant toliau pateiktų atsargumo priemonių, gali kilti gaisras, galima patirti elektros smūgį arba gaminyje gali nukristi – dėl to galima rimtai susižeikti ar net žūti.

Pasirūpinkite, kad montavimo darbus atliktų licencijuoti tiekėjai, o montavimo metu neleiskite arti būti mažiems vaikams.

Jei prie sienos tvirtinamas laikiklis arba TV sumontuoti netinkamai, gali įvykti toliau nurodyti nelaimingi atsitikimai. Įsitikinkite, kad montavimo darbus atlieka licencijuoti tiekėjai.

- TV gali nukristi ir rimtai sužaloti galitę patirti sumušimų arba lūžių.
- Jeigu siena, ant kurios montuojamas prie sienos tvirtinamas laikiklis yra nestabili, nelygi ar nestatmena grindims, įrenginys gali nukristi ir sužaloti arba sugadinti turtą. Sieną turi atlaikyti bent šešis kartus didesnį svorį, nei sveria televizorius. (Televizoriaus svorį rasite „Trumpasis vadovas“.)
- Jeigu prie sienos tvirtinamas laikiklis bus sumontuotas nepakankamai tvirtai, įrenginys gali nukristi ir sužaloti arba sugadinti turtą.

TV pernešimo ar išėmimo darbus patikėkite licencijuotiems tiekėjams.

Jei TV transportavimo ar išėmimo darbus atliktų ne licencijuoti tiekėjai, TV gali nukristi ir sužaloti arba sugadinti turtą. Užtikrinkite, kad televizorių nešų ar išmontuotų ne mažiau nei du asmenys (trys ar daugiau asmenų, jei TV kompleksas yra 75 colių ar didesnis).

Sumontavę TV, neišukite sraigčių ar kt. dalių.

Jei tai padarysite, TV gali nukristi ir sužaloti arba sugadinti turtą.

Nekeiskite prie sienos tvirtinamo laikiklio dalių.

Jei tai padarysite, prie sienos tvirtinamas laikiklis gali nukristi ir sužaloti arba sugadinti turtą.

Nemontuokite kitos įrangos, išskyrus nurodytą gaminį.

Šis prie sienos tvirtinamas laikiklis skirtas naudoti tik su nurodytu gaminiu. Jeigu montuosite kitą, nei nurodytą, įrangą, ji gali nukristi arba lūžti, todėl sužaloti arba sugadinti turtą.

Prie sienos tvirtinamo laikiklio neapkraukite didesne, nei TV apkrova. Nekratykite TV kairėn / dešinėn arba aukštyn / žemyn.

Jei tai padarysite, TV gali nukristi ir sužaloti arba sugadinti turtą.

Nesilenkite ir nesikabinkite ant TV.

Nesilenkite ir nesikabinkite ant TV, nes jis gali ant jūsų užkristi ir rimtai sužaloti.

DĖMESIO

Nesilaikant toliau nurodytų atsargumo priemonių, galima susižeikti arba sugadinti turtą.

- Saugokitės, kad laikydami prie sienos tvirtinamą laikiklį arba sukdami televizorių neprisipaustumėte pirštų.
- Elkitės atsargiai pasukdami televizorių, kad neužkliudytumėte šalia esančių žmonių.
- Nepanaudotas dalis būtina laikykite saugioje vietoje ateičiai. Laikykite jas vaikams nepasiekiamoje vietoje.

Valydami gaminį ar atlikdami jo techninę priežiūrą, neveikite jo per didelę jėgą.

Nespauskite TV iš viršaus per stipriai. Jei tai padarysite, TV gali nukristi ir sužaloti arba sugadinti turtą.

Atsargumo priemonės

- Jei TV, sumontuotą ant prie sienos tvirtinamo laikiklio naudosite ilgą laiką, siena už TV ar virš jo gali nublukti arba tapetai gali atsiklįjoti, priklausomai nuo to, iš kokių medžiagų pastatyta siena.
- Nuėmus prisuktą prie sienos tvirtinamą laikiklį, sienoje liks sraigčių padarytos skylės.
- Nenaudokite prie sienos tvirtinamo laikiklio tokiose vietose, kur jį veiktų mechaninė vibracija.

Prie sienos tvirtinamo laikiklio montavimas

„Sony“ prekybos atstovams

ĮSPĖJIMAS

Toliau nurodyto instrukcijos skirtos tik „Sony“ tiekėjams. Perskaitykite pirmiau pateiktas atsargumo priemones ir montuodami, eksploatuodami bei tikrindami šį gaminį ypatingą dėmesį skirkite saugai.

Nemontuokite prie sienos tvirtinamo laikiklio ant sienos tokioje vietoje, kur TV kampai arba šonai išsikištų už sienos paviršiaus.

Nemontuokite prie sienos tvirtinamo laikiklio ant kolonų ar panašių paviršių, kur TV kampai arba šonai išsikištų už sienos paviršiaus. Jei asmuo ar objektas užkliudytų išsikišusį TV kampą ar šoną, šis gali sužaloti arba sugadinti turtą.

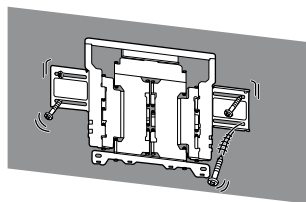


Nemontuokite TV virš oro kondicionieriaus arba po juo.

Jei ant TV laša vanduo arba jį ilgą laiką veikia oro srautas iš oro kondicionieriaus, gali kilti gaisras, galima patirti elektros smūgį arba TV gali sugesti.

Pasirūpinkite, kad prie sienos tvirtinamas laikiklis būtų patikimai pritvirtintas prie sienos, laikantis šiame vadove pateiktų instrukcijų.

Jei kuris nors sraigtas atsilaisvintų ar iškristų, prie sienos tvirtinamas laikiklis gali nukristi ir sužaloti arba sugadinti turtą. Saugiai sumontuokite elementą naudodami sienos medžiagai skirtus keturi 8 mm skersmens sraigta (arba lygiaverčius).



Tiekiamus sraigtus ir priedų dalis naudokite tinkamai, laikydamiesi šiame vadove pateiktų instrukcijų. Jei naudojame pakaitalus, TV gali nukristi ir ką nors sužaloti arba sugesti.

Pasirūpinkite, kad laikiklis būtų surinktas tinkamai, vadovaujantis šiame vadove pateiktomis procedūromis.

Jei kuris nors sraigtas atsilaisvintų ar iškristų, TV gali nukristi ir sugesti arba ką nors sužaloti.

Pasirūpinkite, kad sraigta būtų patikimai įsukti reikiamose vietose.

Jei to nepadarysite, TV gali nukristi ir sugesti arba ką nors sužaloti.

Būkite atsargūs, kad montavimo metu TV nebūtų sutrenktas.

Sutrenkus TV, jis gali nukristi arba perlūžti. Taip galima susižaloti.

Įsitikinkite, kad TV montuosite ant statmenos ir plokščios sienos.

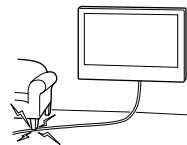
Jei to nepadarysite, TV gali nukristi ir sužaloti.

Teisingai sumontavę TV, tinkamai pritvirtinkite laidus.

Jei žmonės ar objektai įspainios tarp kabelių, gali būti sužaloti žmonės arba sugadintas TV.

Saugokite, kad KS maitinimo laidas arba jungiamasis kabelis nebūtų suspausti.

Jei KS maitinimo laidas arba jungiamasis kabelis būtų prispaustas tarp įrenginio ir sienos arba per jėgą sulenktas ar suspaustas, gali išlįsti vidiniai laidininkai, todėl gali įvykti trumpasis jungimas arba nutrūkti elektros tiekimas. Dėl to gali kilti gaisras arba galima patirti elektros smūgį.



Sraigta, kurių reikia prie sienos tvirtinamam laikikliui montuoti prie sienos, neپردėti.

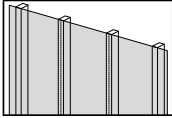
Montuodami prie sienos tvirtinamą laikiklį, naudokite sienos medžiagai tinkančius sraigtus.

Prieš pradedant darbą

Pirmiausia išsiaiškinkite, kokio tipo yra siena, ant kurios norite tvirtinti televizorių.

Iš ko padaryta jūsų siena?

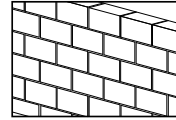
Sausos konstrukcijos siena su profiliais



Atsargumo priemonės

- Didžiausias sienos storis: 16 mm.
- Įsitikinkite, kad vidinio medienos profilio dydis yra bent 51 x 102 mm (bendrasis) arba 38 x 89 mm (vardinis).
- Tarp tvirtinimo detalių palikite mažiausiai 406 mm tarpą horizontalia kryptimi.

Betoningė arba iš betoninių blokelių padaryta siena



Atsargumo priemonės

- Prie sienos tvirtinamą laikiklį tvirtinkite tiesiai ant betoninės sienos.
- Įsitikinkite, kad betoninės sienos storis yra mažiausiai 203 mm.
- Įsitikinkite, kad kiekvieno betoninio blokelių dydis yra mažiausiai 203 x 203 x 406 mm.

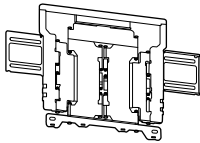

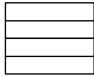

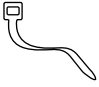
Pasiruošimas montuoti

- Prieš montuodami pasidėkite po ranka televizijos nuorodinį vadovą ir nustatymo vadovą.
- Patikrinkite TV montavimo vietą.
- Pasiruoškite keturis 8 mm skersmens sraigtus ir keturias tinkamas poveržles (parduodamos atskirai).
Pasirinkite sienos medžiagai tinkamus sraigtus.

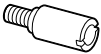
Dalių patikrinimas

Tiekama kartu su SU-WL850

- Įsitikinkite, kad yra visos dalys.



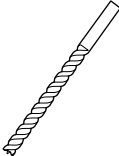
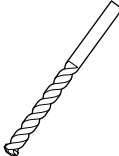
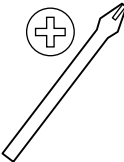






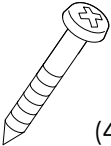
A WM1 (1) 	B WM2 (1) 
C WM3 (4) 	D M6 (4) 
E WT1 (6) 	

Tiekama kartu su televizoriumi

VS Prie sienos tvirtinamas elementas (4) 
--



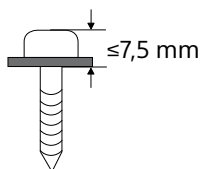
Reikalingi įrankiai

*1 	  5,5 mm  10 mm 		
*2 		 1,5 N·m {15 kgf·cm}	
*3  (4)	*2  (4)	*3  8 mm x 60 mm (4)	

*1 Tik sausos konstrukcijos sienai su profiliais

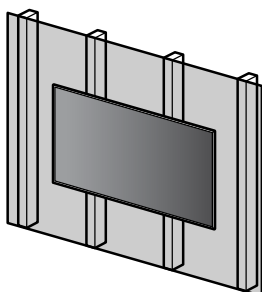
*2 Tik betoninei ar iš betoninių blokelių padarytai sienai

*3 Kruopščiai pasirinkite sraigtus ir poveržles

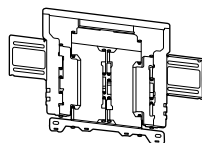


A Televizoriaus tvirtinimas prie sausos konstrukcijos sienos su profiliiais

Sausos konstrukcijos siena su profiliiais



WM1

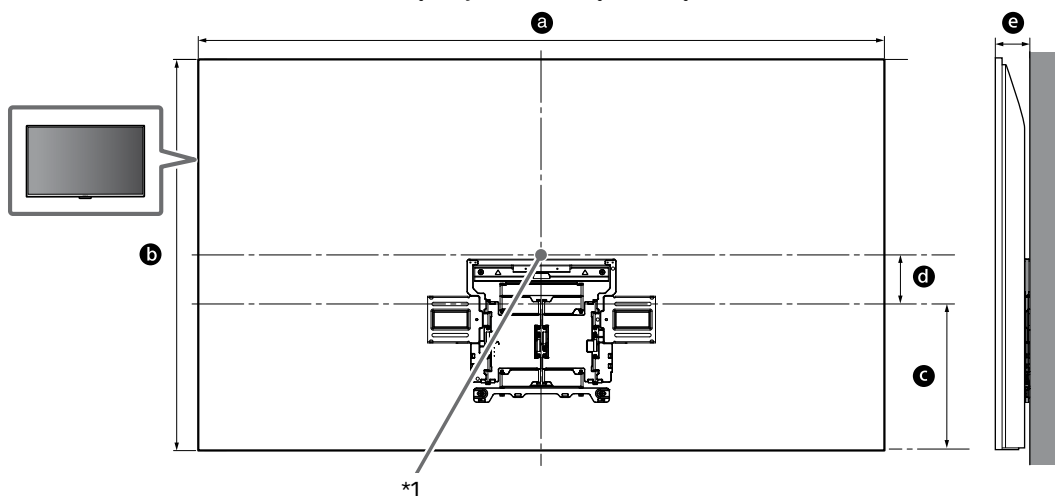


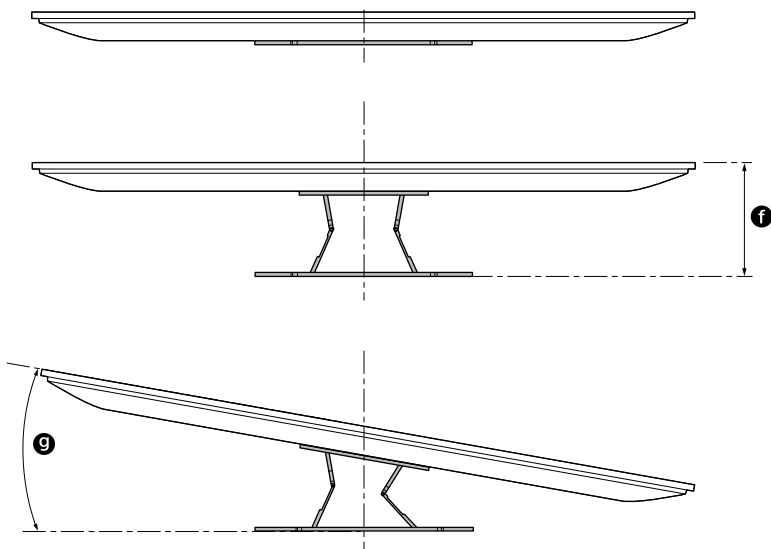
Prie sienos tvirtinamo laikiklio montavimas

1 Nuspręskite, kurioje vietoje montuosite.

Įsitikinkite, ar ant sienos pakanka vietos televizoriui ir ar ji galės atlaikyti svorį, bent keturis kartus didesnį už televizoriaus.

Žr. toliau pateiktą lentelę, kur rasite informacijos apie televizoriaus tvirtinimą prie sienos. Norėdami sužinoti televizoriaus svorį, žr. jo Nuorodinį vadovą.





(mm)

Modelio pavadinimas	a	b	c	d	e	f ^{*2}	g ^{*2} (°)
KD-75XH80xx	1686	969	364	123	86	288	15
KE-75XH80xx							
KD-65XH81xx	1462	841	365	59	83	287	18
KE-65XH81xx							
KD-65XH80xx							
KE-65XH80xx	1243	718	365	3	83	287	20
KD-55XH81xx							
KE-55XH81xx							
KD-55XH80xx							
KE-55XH80xx							

Televizoriaus montavimo matmenų lentelė (mm)

Atsižvelgiant į montажą, lentelėje nurodyti skaičiai gali šiek tiek skirtis.

*1 (Ekranо centrinis taškas)

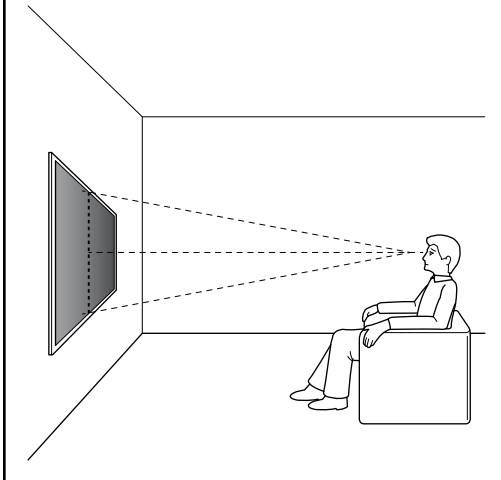
*2 (Apytiksl.)

Pastaba

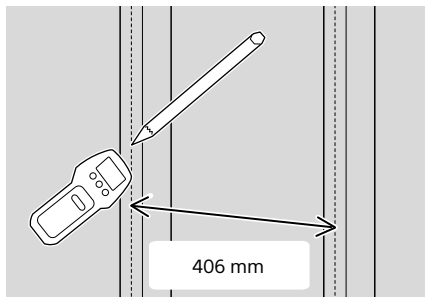
- Televizorių pritvirtinus prie sienos, viršutinioji jo dalis šiek tiek pasvyra į priekį.

Pastaba

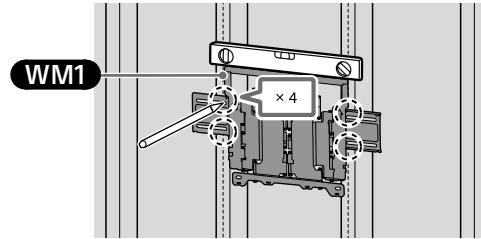
- Rekomenduojame patikrinti televizoriaus padėtį žiūrėjimo aplinkoje.



2



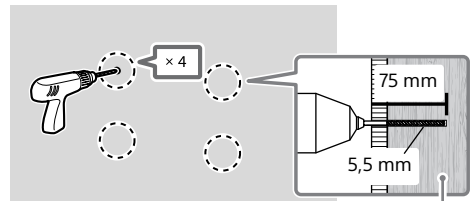
- 3 Sulygiuokite **WM1** su siena ir keturiuose vietose pažymėkite, kur yra profiliai.



Pastaba

- Gulsčiu patikrinkite, ar **WM1** yra horizontalus.

- 4 Ties žymėmis išgręžkite viršutines skylės.

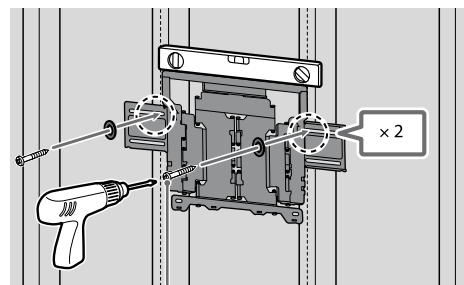


Profilis ar armatūra

Pastaba

- Skylės gręžkite iki 75 mm gylio, naudodami 5,5 mm skersmens grąžtą.

- 5 Tinkamais sraigtais (parduodami atskirai) ir poveržlėmis (parduodamos atskirai), pritvirtinkite **WM1** ant sienos.



8 mm x 60 mm

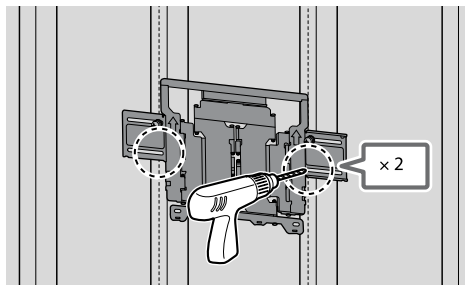
Pastaba

- Gulsčiu patikrinkite, ar **WM1** yra horizontalus.

Atsargumo priemonė

- Neperveržkite medisraigčių (8 mm x 60 mm). Netinkamai užveržus, gali sumažėti medisraigčių (8 mm x 60 mm) laikomoji galia.

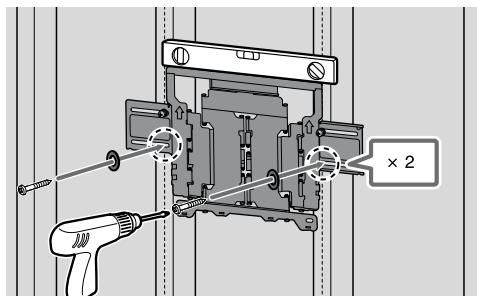
- 6 Žymių vietoje išgręžkite apatines skylės. (Gręžimo nurodymas pateiktas 4 veiksme.)



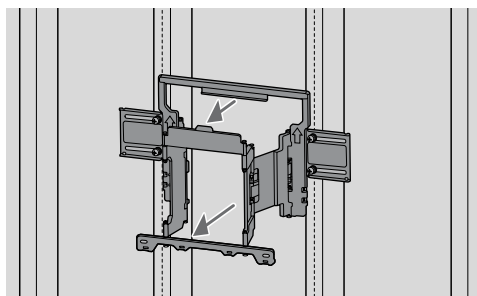
- 7 Į skylės įkiškite tinkamus sraigtus ir poveržles.

Pastaba

- Gulsčiu patikrinkite, ar prie sienos tvirtinamas laikiklis yra horizontalus.

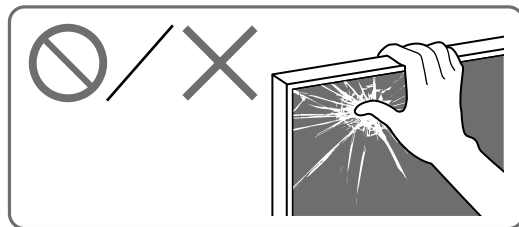


- 8 Iki pat galo ištraukite laikiklio atramą.

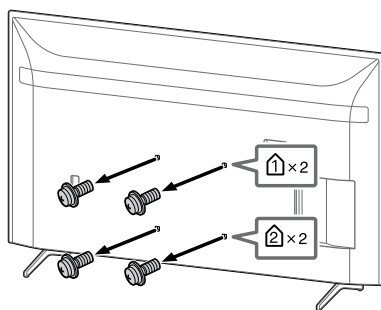


Pasiruošimas tvirtinti TV

Prieš sumontuodami televizorių prie sienos, vadovaudamiesi nustatymo vadovu, pritvirtinkite ant stalo pastatomą stovą.



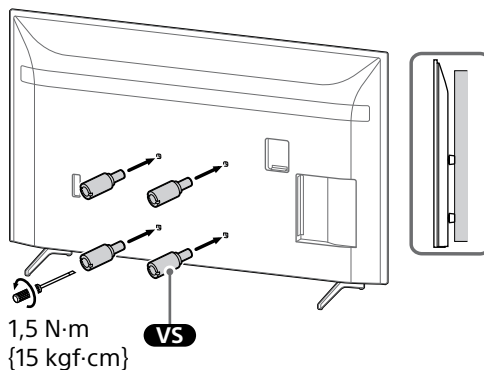
- 1 Išukite televizoriaus užpakalinėje dalyje esančius varžtus.



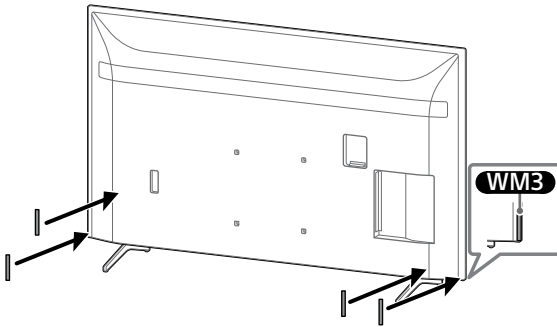
Pastaba

- Nuimtus ant varžtus ir nenaudojamas dalis padėkite į saugią vietą, nepasiekiamą vaikams.

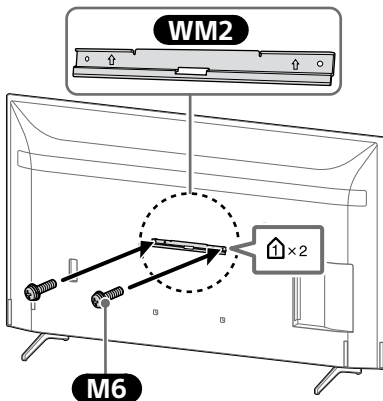
- 2 Pritvirtinkite tvirtinimo prie sienos elementą (pridedama su televizoriumi) televizoriaus nugarėlėje (kad būtų lygiagretu sienai).



3 Pritvirtinkite WM3.

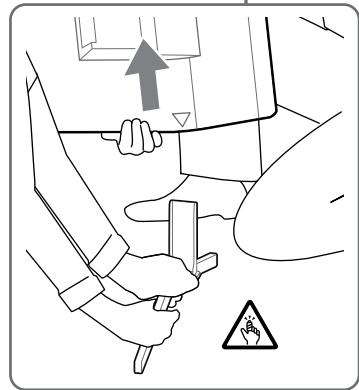
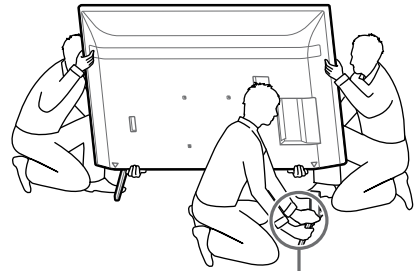


4 Naudodami WM2, pritvirtinkite M6 prie televizoriaus.



5 Atjunkite ant stalo pastatomą stovą nuo televizoriaus.

- Ant stalo pastatomą stovą nuimkite po vieną dalį. Tvirtai laikykite ant stalo pastatomą stovą dviem rankomis, kol kiti žmonės kelia televizorių.

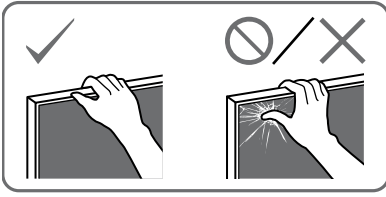


- Pakartokite ankstesnį veiksma ir nuimkite kitą ant stalo pastatomo stovo dalį.

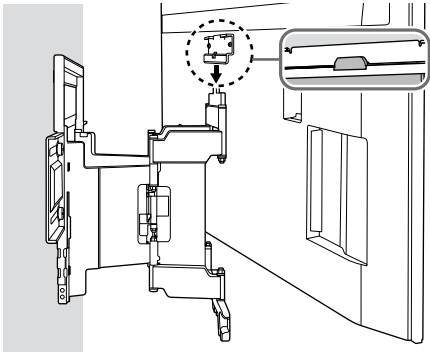
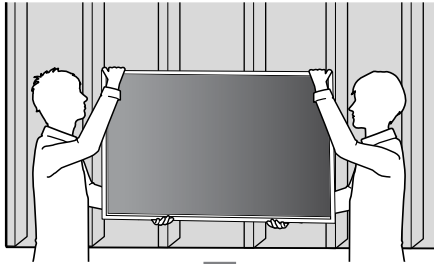
Pastaba

- Ant stalo pastatamam stovui nuimti reikia trijų arba daugiau žmonių.
- Nuimdami ant stalo pastatomą stovą nuo televizoriaus nenaudokite per daug jėgos, nes TV komplektas gali nukristi, ir dėl to gali būti sužalotas žmogus arba fiziškai sugadintas televizorius.
- Su ant stalo pastatomą stovu elkitės atsargiai, kad nepažeistumėte televizoriaus.
- Būkite atsargūs keldami televizorių, kai atjungiamas ant stalo pastatomas stovas, nes ant stalo pastatomas stovas gali nuvirsti ir sužeisti žmones.
- Atsargiai nuimkite ant stalo pastatomą stovą nuo televizoriaus, kad jis nenuvirstų ir nesugadintų televizoriaus, kuris yra ant jo uždėtas, paviršiaus.

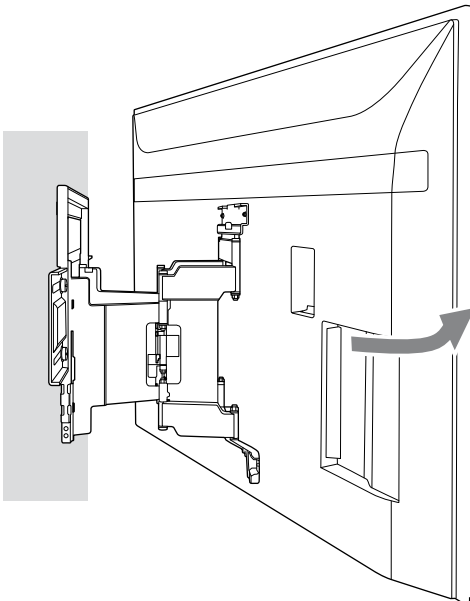
TV tvirtinimas prie sienos



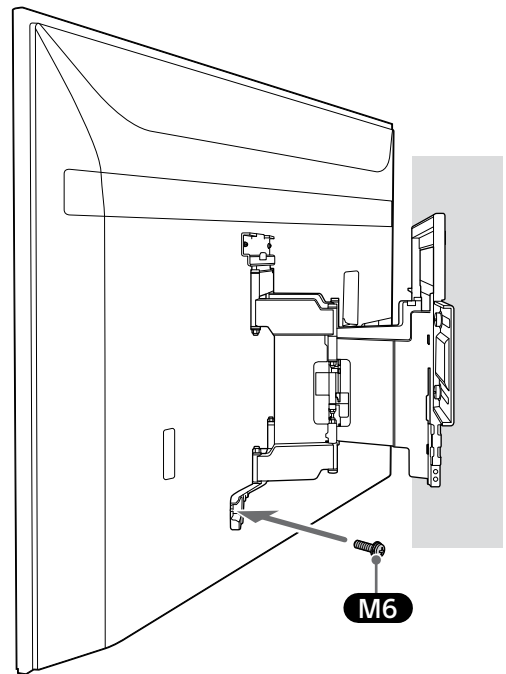
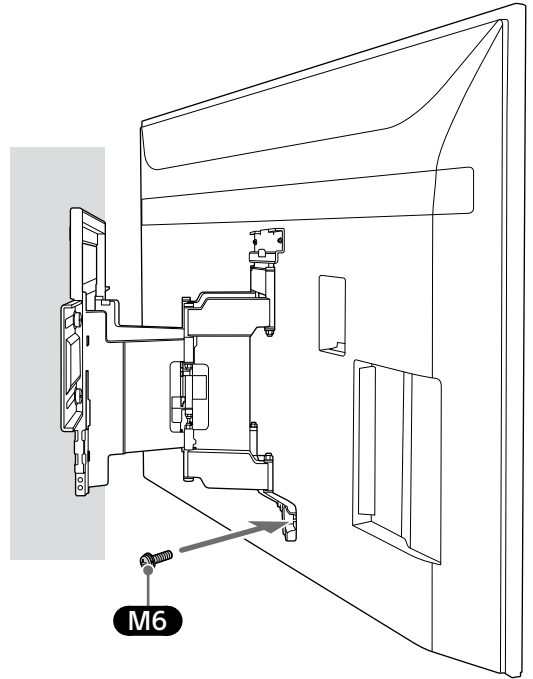
1



2

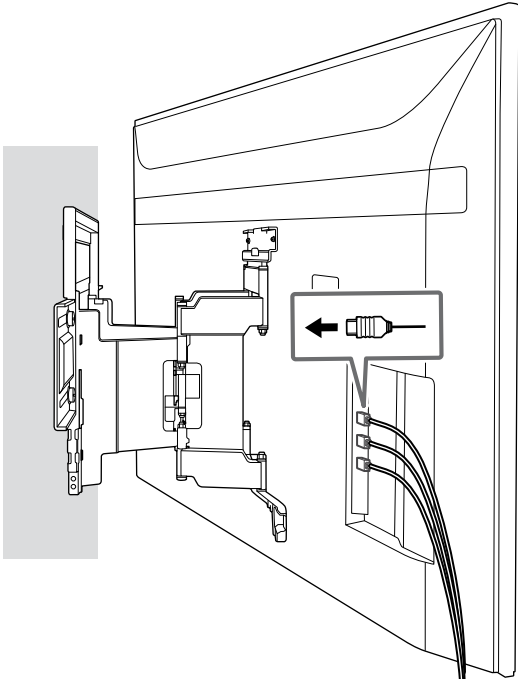


3 Prisukite prie sienos tvirtinamo laikiklio kairiąją ir dešiniąją puses.

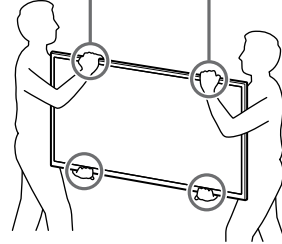


LT

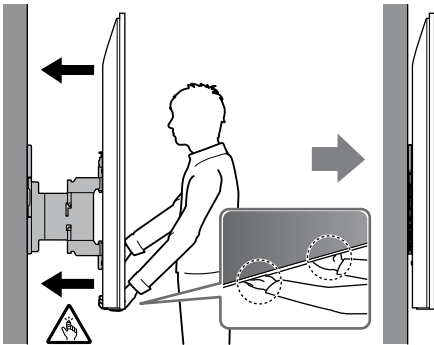
4

**ĮSPĖJIMAS**

- Užtikrinkite, kad nešamą televizorių laikytų ne mažiau nei du asmenys (trys ar daugiau asmenų, jei TV komplektas yra 75 colių ar didesnis).



5 Judindami televizorių, tvirtai jį laikykite iš apačios.



Montavimo darbų užbaigimo patvirtinimas

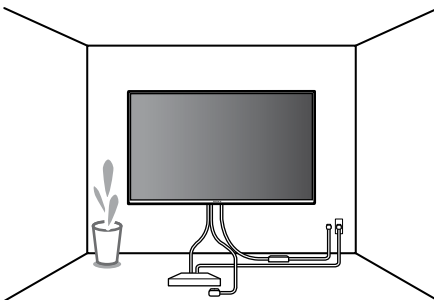
Patikrinkite toliau nurodytus dalykus.

- Ar laidai ir kabeliai nėra susisukę ar suspausti.

ĮSPĖJIMAS

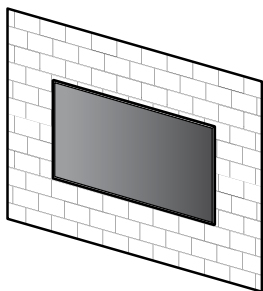
- Neteisingai nutiesus KS maitinimo laidą ar kitus kabelius, galima patirti elektros smūgį, įvykus trumpajam jungimui. Dėl saugumo patvirtinkite, kad montavimo darbai baigti.

6

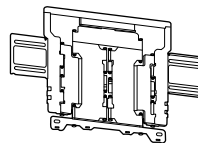


B Prie sienos tvirtinamo laikiklio tvirtinimas prie betoninės ar iš betoninių blokelių padarytos sienos

Betoninė arba iš betoninių blokelių padaryta siena



WM1

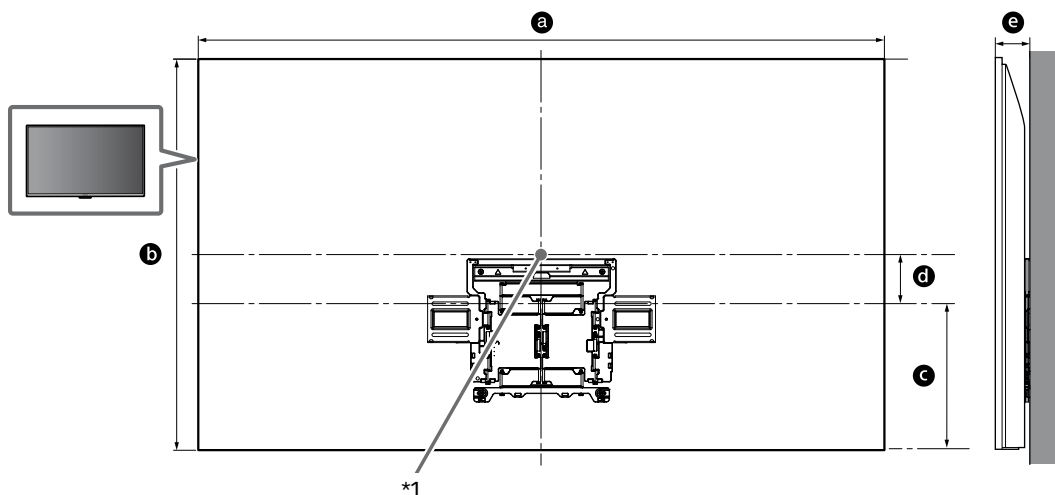


Prie sienos tvirtinamo laikiklio montavimas

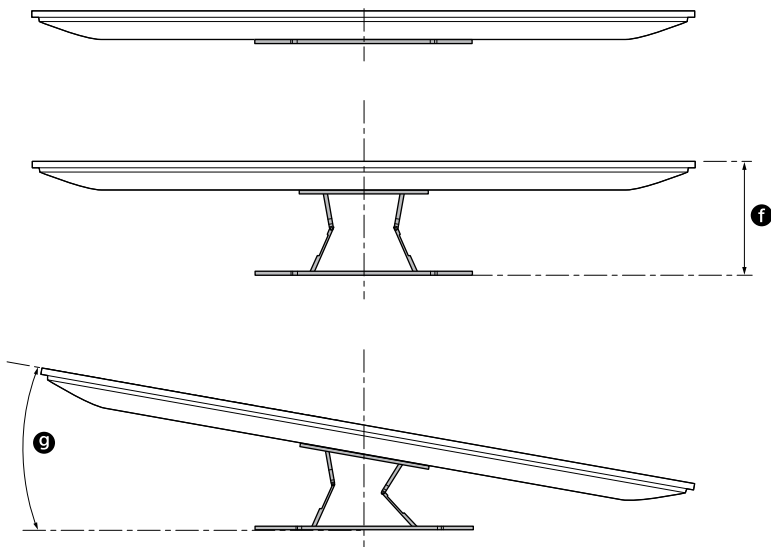
1 Nuspręskite, kurioje vietoje montuosite.

Įsitikinkite, ar ant sienos pakanka vietos televizoriui ir ar ji galės atlaikyti svorį, bent keturis kartus didesnį už televizoriaus.

Žr. toliau pateiktą lentelę, kur rasite informacijos apie televizoriaus tvirtinimą prie sienos. Norėdami sužinoti televizoriaus svorį, žr. jo Nuorodinį vadovą.



LT



(mm)

Modelio pavadinimas	a	b	c	d	e	f*2	g*2 (°)
KD-75XH80xx	1686	969	364	123	86	288	15
KE-75XH80xx							
KD-65XH81xx	1462	841	365	59	83	287	18
KE-65XH81xx							
KD-65XH80xx							
KE-65XH80xx	1243	718	365	3	83	287	20
KD-55XH81xx							
KE-55XH81xx							
KD-55XH80xx							
KE-55XH80xx							

Televizoriaus montavimo matmenų lentelė (mm)

Atsižvelgiant į montажą, lentelėje nurodyti skaičiai gali šiek tiek skirtis.

*1 (Ekранo centrinis taškas)

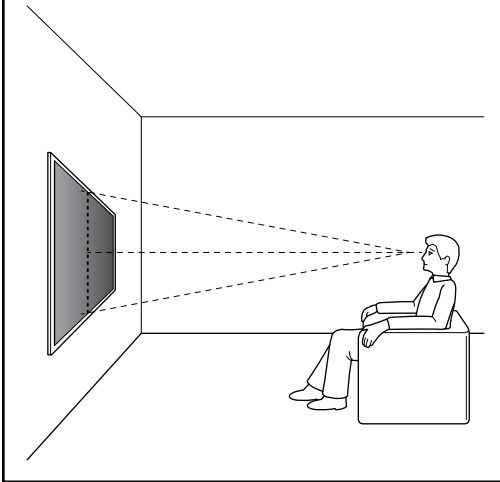
*2 (Apytiksl.)

Pastaba

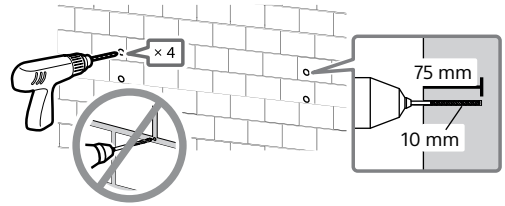
- Televizorių pritvirtinus prie sienos, viršutinioji jo dalis šiek tiek pasvyra į priekį.

Pastaba

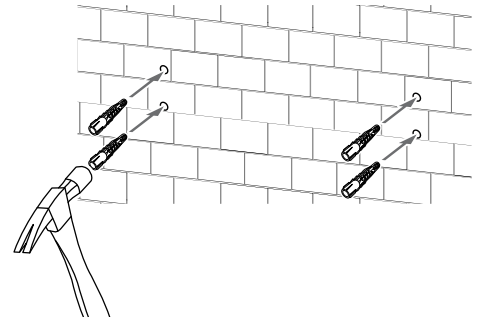
- Rekomenduojame patikrinti televizoriaus padėtį žiūrėjimo aplinkoje.



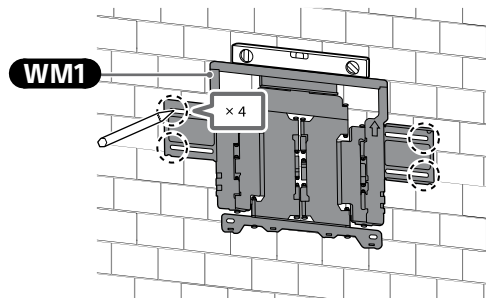
3 Išgręžkite kontrolines skyles žymių vietose.



4



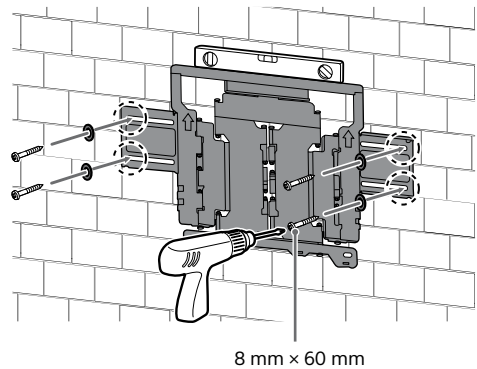
2 Sulygiuokite WM1 su siena ir pasižymėkite keturiose vietose.



Pastaba

- Gulsčiu patikrinkite, ar WM1 yra horizontalus.

5 Tinkamais sraigtais (parduodami atskirai) ir poveržlėmis (parduodamos atskirai), pritvirtinkite WM1 ant sienos.



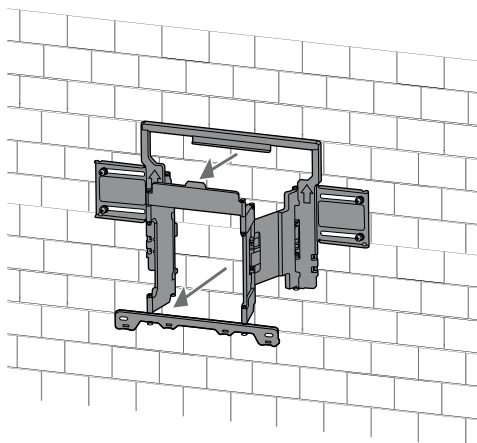
Pastaba

- Gulsčiu patikrinkite, ar prie sienos tvirtinamas laikiklis yra horizontalus.

Atsargumo priemonė

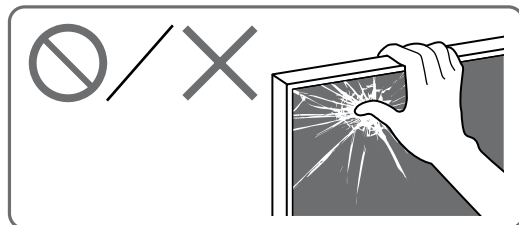
- Neperveržkite medsraigčių (8 mm x 60 mm). Netinkamai užveržus, gali sumažėti medsraigčių (8 mm x 60 mm) laikomoji galia.

- 6 Iki pat galo ištraukite laikiklio atramą.

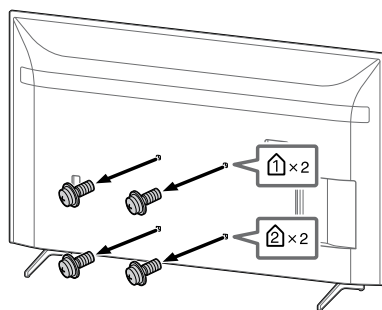


Pasiruošimas tvirtinti TV

Prieš sumontuodami televizorių prie sienos, vadovaudamiesi nustatymo vadovu, pritvirtinkite ant stalo pastatomą stovą.



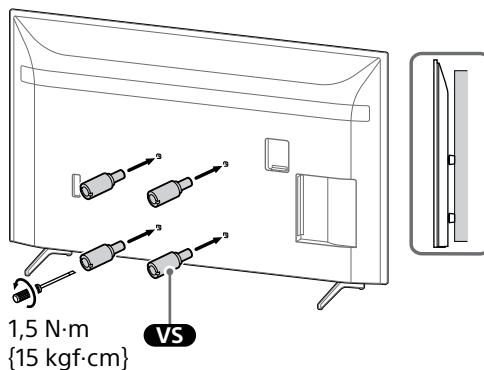
- 1 Išsukite televizoriaus užpakalinėje dalyje esančius varžtus.



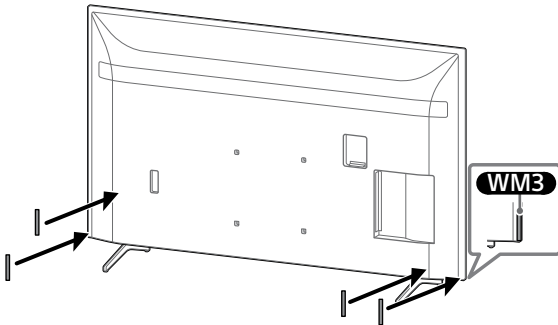
Pastaba

- Nuimtus ant varžtus ir nenaudojamas dalis padėkite į saugią vietą, nepasiekiamą vaikams.

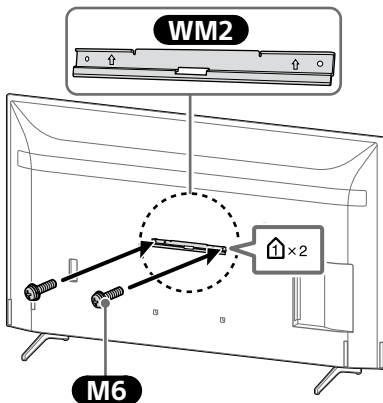
- 2 Pritvirtinkite tvirtinimo prie sienos elementą (pridedama su televizoriumi) televizoriaus nugarėlėje (kad būtų lygiagrečiu sienai).



3 Pritvirtinkite WM3.

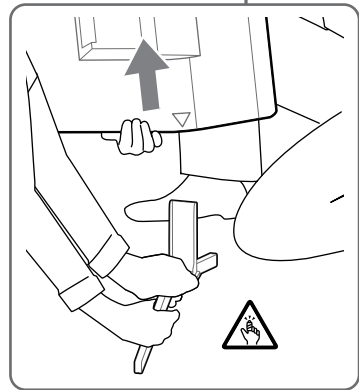
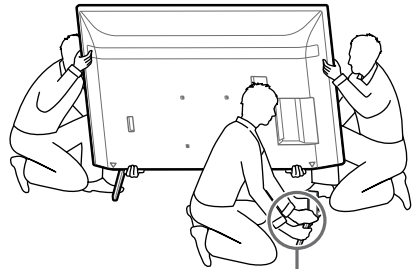


4 Naudodami WM2, pritvirtinkite M6 prie televizoriaus.



5 Atjunkite ant stalo pastatomą stovą nuo televizoriaus.

- Ant stalo pastatomą stovą nuimkite po vieną dalį. Tvirtai laikykite ant stalo pastatomą stovą dviem rankomis, kol kiti žmonės kelia televizorių.

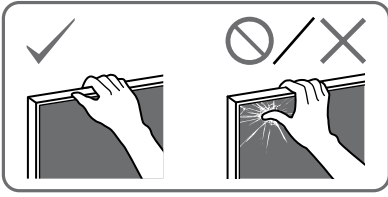


- Pakartokite ankstesnį veiksma ir nuimkite kitą ant stalo pastatomo stovo dalį.

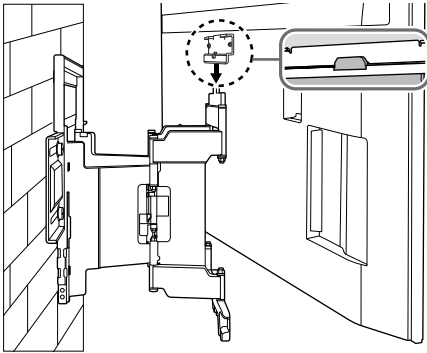
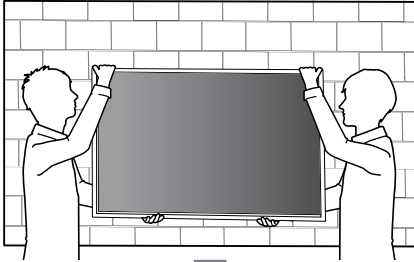
Pastaba

- Ant stalo pastatomam stovui nuimti reikia trijų arba daugiau žmonių.
- Nuimdami ant stalo pastatomą stovą nuo televizoriaus nenaudokite per daug jėgos, nes TV komplektas gali nukristi, ir dėl to gali būti sužalotas žmogus arba fiziškai sugadintas televizorius.
- Su ant stalo pastatomą stovu elkitės atsargiai, kad nepažeistumėte televizoriaus.
- Būkite atsargūs keldami televizorių, kai atjungiamas ant stalo pastatomas stovas, nes ant stalo pastatomas stovas gali nuvirsti ir sužeisti žmones.
- Atsargiai nuimkite ant stalo pastatomą stovą nuo televizoriaus, kad jis nenuvirstų ir nesugadintų televizoriaus, kuris yra ant jo uždėtas, paviršiaus.

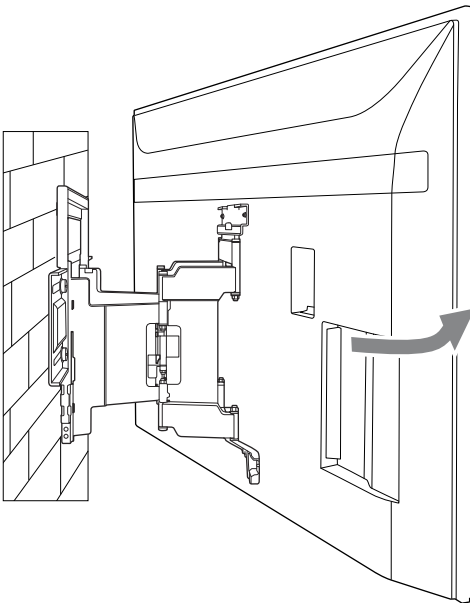
TV tvirtinimas prie sienos



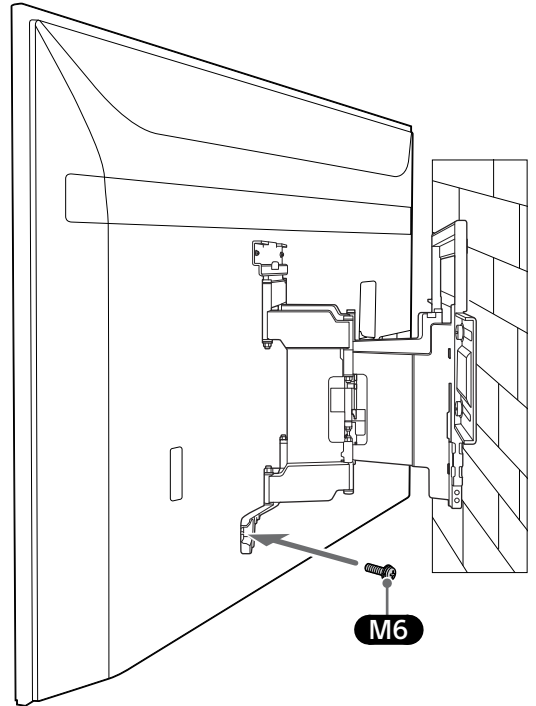
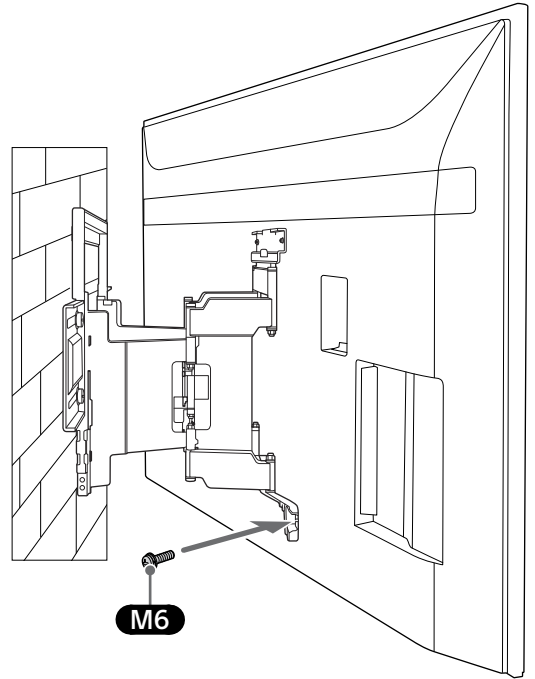
1



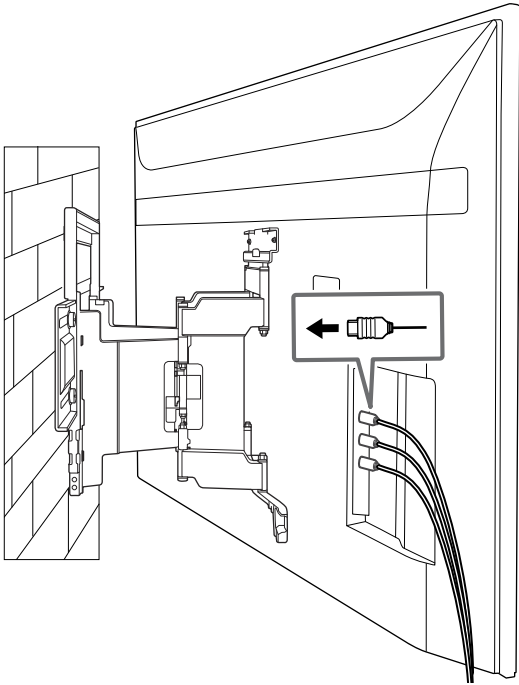
2



3 Prisukite prie sienos tvirtinamo laikiklio kairiąją ir dešiniąją puses.

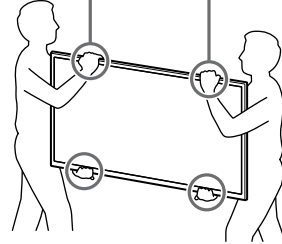


4

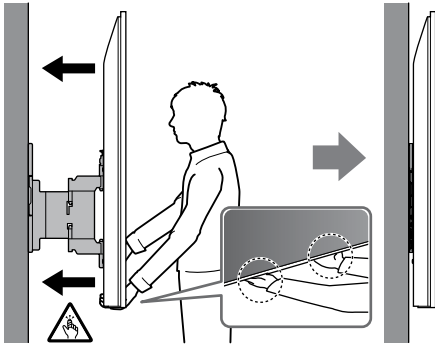


ĮSPĖJIMAS

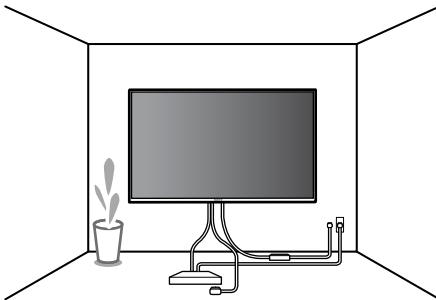
- Užtikrinkite, kad nešamą televizorių laikytų ne mažiau nei du asmenys (trys ar daugiau asmenų, jei TV komplektas yra 75 colių ar didesnis).



5 Judindami televizorių, tvirtai jį laikykite iš apačios.



6



LT

Montavimo darbų užbaigimo patvirtinimas

Patikrinkite toliau nurodytus dalykus.

- Ar laidai ir kabeliai nėra susisukę ar suspausti.

ĮSPĖJIMAS

- Neteisingai nutiesus KS maitinimo laidą ar kitus kabelius, galima patirti elektros smūgį, įvykus trumpajam jungimui. Dėl saugumo patvirtinkite, kad montavimo darbai baigti.

Kita informacija

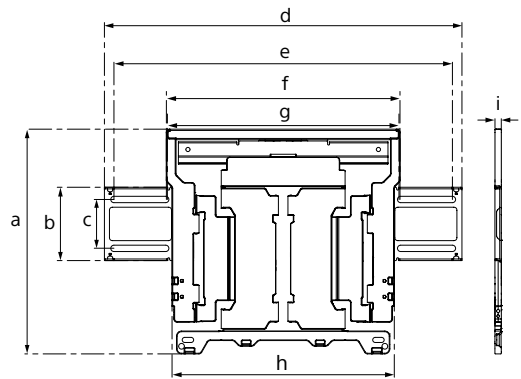
Nuimdami TV, anksčiau aprašytą procedūrą atlikite atvirkščia tvarka.

ĮSPĖJIMAS

- Užtikrinkite, kad nuimamą televizorių laikytų ne mažiau nei du asmenys (trys ar daugiau asmenų, jei TV komplektas yra 75 colių ar didesnis).

Techniniai duomenys

WM1



Matmenys: (apytiksl.) [mm]

a : 354
b : 116
c : 77
d : 563
e : 533
f : 370
g : 368
h : 350
i : 11

Svoris (tik pagrindo): (apytiksl.) [kg]

3,0

Dizainas ir techniniai duomenys gali būti keičiami be įspėjimo.

Navodila za uporabo nosilca za stensko montažo Sony (SU-WL850)

Podprti modeli*:

KD-75XH80xx / 65XH81xx / 65XH80xx / 55XH81xx / 55XH80xx

KE-75XH80xx / 65XH81xx / 65XH80xx / 55XH81xx / 55XH80xx

* V imenih dejanskih modelov »xx« označuje številke in/ali znake, ki veljajo za posamezen model.

Za kupce

Za namen zaščite izdelka in iz varnostnih razlogov družba Sony močno priporoča, da montažo televizorja prepustite prodajalcem Sony ali pooblaščenim izvajalcem. Montaže ne poskušajte izvesti sami.

Za prodajalce Sony in pooblaščene izvajalce

Pri montaži, rednem vzdrževanju in pregledih tega izdelka bodite izredno pozorni na varnost.

Za montažo tega izdelka potrebujete dovolj znanja, to še posebej velja za določanje nosilnosti stene glede na težo televizorja. Stensko montažo tega izdelka zaupajte prodajalcem Sony ali pooblaščenim izvajalcem, med samo montažo pa bodite posebej pozorni na varnost. Družba Sony ne odgovarja za nobeno škodo ali poškodbo, ki je posledica malomarnega ravnanja ali nepravilne montaže.

Zaradi varnosti in ustrezne montaže sledite Navodilom za uporabo nosilca za stensko montažo, Priročniku za namestitev TV in napotkom v teh navodilih.

Nosilec za stensko montažo

O varnosti

Zahvaljujemo se vam za nakup tega izdelka.

Za kupce

Vgradnja televizorja na steno



OPOZORILO

MONTAŽO NAJ IZVEDE USPOSOBLJENO OSEBE

Montažo tega izdelka lahko izvede samo osebe, ki je ustrezno usposobljeno za določanje nosilnosti zidu za težo televizorja. Če televizor ni ustrezno zavarovan med izvajanjem montaže, lahko pade in povzroči resne poškodbe. Družba Sony ni odgovorna za nobeno škodo ali poškodbe, ki so posledica neustreznega rokovanja ali neustrezne montaže ali montaže izdelkov, ki niso navedeni tukaj. To ne vpliva na vaše (morebitne) pravice, ki jih imate kot potrošnik.

Za prodajalce Sony

Za vgradnjo tega izdelka potrebujete dovolj znanja. Obvezno temeljito preberite ta priročnik za vgradnjo, da boste lahko varno opravili vgradnjo. Podjetje Sony ne prevzema odgovornosti za kakršno koli škodo ali telesne poškodbe, ki nastale zaradi nepravilnega ravnanja ali vgradnje. Po vgradnji dajte ta priročnik kupcu.

Ta priročnik z navodili opisuje pravilno ravnanje z izdelkom in daje pomembna varnostna navodila za preprečevanje nesreč. Sami ste odgovorni, da pozorno preberete in v celoti razumete ter upoštevate vsa navodila v teh navodilih za uporabo. V nasprotnem primeru lahko pride do resnih telesnih poškodb ali škode na lastnini, zaradi česar lahko pride do izničenja garancije. Ta priročnik shranite za uporabo v prihodnje.

Izdelki Sony so razviti tako, da so varni. Vseeno pa lahko pri nepravilni uporabi izdelkov pride do hudih telesnih poškodb zaradi požara, električnega udara, prevračanja izdelka ali padca izdelka. Za preprečevanje takih nesreč obvezno upoštevajte varnostna navodila.

POZOR

Predpisani izdelki

Ta nosilec za stensko montažo je namenjen za uporabo s predpisanimi televizorji. Ustreznost uporabe nosilca za stensko montažo preverite v pripadajočem »Referenčni priročnik« televizorja.

Za kupce

OPOZORILO

Če ne upoštevate naslednjih varnostnih navodil, lahko pride do hudih telesnih poškodb ali smrti zaradi požara, električnega udara ali padca izdelka.

Vgradnjo prepustite pooblaščenim izvajalcem in pri tem pazite, da v bližini ni majhnih otrok.

Če nosilec za stensko montažo ali televizor nista pravilno vgrajena, lahko pride do naslednjih nesreč. Poskrbite, da vgradnjo opravijo pooblašчени izvajalci.

- Televizor lahko pade in povzroči hudo telesno poškodbo, na primer podplutbo ali zlom.
- Če je stena, na katero je vgrajen nosilec za stensko montažo, nestabilna, neravna ali nepravokotna na tla, lahko enota pade in povzroči telesne poškodbe ali materialno škodo. Stena mora imeti zadostno nosilnost za vsaj šestkratno težo televizorja. (Težo televizorja preverite v »Referenčni priročnik« televizorja.)
- Če vgradnja nosilca za stensko montažo ni dovolj trdna, lahko enota pade in povzroči telesne poškodbe ali materialno škodo.

Selitev ali snemanje televizorja prepustite pooblaščenim izvajalcem.

Če televizor prevažajo ali snemajo osebe, ki niso pooblašчени izvajalci, lahko pade in povzroči telesne poškodbe ali materialno škodo. Poskrbite, da televizor prenašata ali snemata vedno najmanj dve osebi (najmanj tri osebe pri 75-palčnih in večjih televizorjih).

Ne odstranite vijakov itd., ko vgradite televizor.

Sicer lahko televizor pade in povzroči telesne poškodbe ali materialno škodo.

Ne predelujte delov nosilca za stensko montažo.

Sicer lahko nosilec za stensko montažo pade in povzroči telesne poškodbe ali materialno škodo.

Ne vgradite opreme, ki se razlikuje od predpisanega izdelka.

Ta nosilec za stensko montažo je namenjen za uporabo samo s predpisanimi izdelki. Če namestite opremo, ki ni predpisana, lahko pade ali se polomi in povzroči telesne poškodbe ali materialno škodo.

Na nosilec za stensko montažo ne nameščajte nobenega drugega bremena kot televizor. Televizorja ne tresite v smeri levo/desno ali navzgor/navzdol.

Sicer lahko televizor pade in povzroči telesne poškodbe ali materialno škodo.

Na televizor se ne naslanjajte in se nanj ne obešajte.

Na televizor se ne naslanjajte in se nanj ne obešajte, saj lahko pade na vas in povzroči hude telesne poškodbe.

POZOR

Če ne upoštevate naslednjih varnostnih navodil, lahko pride do telesnih poškodb ali materialne škode.

- Pazite, da si pri rokovanju z nosilcem za stensko montažo ali obračanjem televizorja ne priščipnete prstov.
- Med vrtenjem televizorja bodite previdni in pazite, da ne zadenete oseb v bližini.
- Neuporabljene dele shranite na varnem mestu za prihodnjo uporabo. Hranite jih zunaj dosega otrok.

Izdelka med čiščenjem in vzdrževanjem ne obravnavajte s preveliko silo.

Na zgornjo stran televizorja ne delujte s preveliko silo. Sicer lahko televizor pade in povzroči telesne poškodbe ali materialno škodo.

Varnostna opozorila

- Če dolgo uporabljate televizor, nameščen na nosilcu za stensko montažo, se lahko stena za ali nad televizorjem razbarva ali pa se lahko odlepi tapeta, odvisno od materiala stene.
- Če odstranite na steno vgrajeni nosilec za stensko montažo, ostanejo luknje za vijake.
- Nosilca za stensko montažo ne uporabljate na mestu, kjer bi lahko bil izpostavljen mehanskim tresljajem.

SI

Vgradnja nosilca za stensko montažo

Za prodajalce Sony

OPOZORILO

Ta navodila so namenjena samo za prodajalce Sony. Obvezno preberite zgornja varnostna navodila in bodite med vgradnjo, vzdrževanje ter preverjanjem tega izdelka posebej pozorni na varnost.

Nosilca za stensko montažo ne namestite na stenske površine, kjer bi vogali ali stranice televizorja štrleli stran od površine stene.

Nosilca za stensko montažo ne namestite na stenske površine, kot so stebri, kjer bi vogali ali stranice televizorja štrleli stran od površine stene. Če se oseba ali predmet zadane ob štrleči vogal ali stranico televizorja, lahko povzroči telesne poškodbe ali materialno škodo.

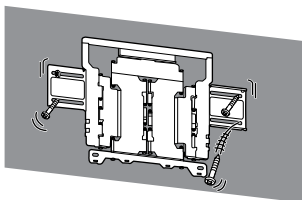


Televizorja ne vgradite nad ali pod klimatsko napravo.

Če je televizor dolgo izpostavljen puščanju vode ali zračnim tokovom iz klimatske naprave, lahko zato pride do požara, električnega udara ali okvare na televizorju.

Nosilec za stensko montažo obvezno trdno vgradite na steno po navodilih v teh navodilih za uporabo.

Če je kateri od vijakov razrahljan ali pade, lahko nosilec za stensko montažo pade in povzroči telesne poškodbe ali materialno škodo. Uporabite vijaki, ki ustrezajo materialu, iz katerega je zgrajena stena, in enoto trdno montirajte z uporabo štirih vijakov premera 8 mm (ali enakovrednih vijakov).



Obvezno pravilno uporabite priložene vijake in pritrditvene dele, skladno z navodili v tem priročniku z navodili. Če uporabite druge dele, lahko televizor pade in koga telesno poškoduje ali pa se lahko poškoduje televizor.

Obvezno pravilno sestavite nosilec po navodilih, ki so razložena v teh navodilih za uporabo.

Če je kateri od vijakov razrahljan ali pade, lahko televizor pade in povzroči telesne poškodbe ali škodo na televizorju.

Vijake obvezno trdno zategnite na predvidenem mestu.

Če tega ne storite, lahko televizor pade in koga telesno poškoduje ali pa se lahko poškoduje televizor.

Pazite, da med vgradnjo televizorja ne izpostavite udarcem.

Če je televizor izpostavljen udarcem, lahko pade ali se polomi. To lahko povzroči telesne poškodbe.

Televizor obvezno vgradite na navpično in ravno steno.

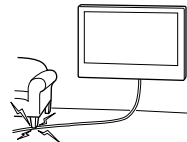
Sicer lahko televizor pade in povzroči telesne poškodbe.

Po pravilni vgradnji televizorja pravilno pritrdite kable.

Če se ljudje ali predmeti zapletejo v kable, lahko to koga telesno poškoduje ali pa se lahko poškoduje televizor.

Ne dovolite, da bi prihajalo do stiskanja napajalnega ali povezovalnih kablov.

Če se napajalni ali povezovalni kabli stisnejo med enoto in steno ali se na silo zvijajo ali upogibajo, se lahko razkrijejo notranji vodniki, kar lahko povzroči kratek stik ali električno prekinitev. To lahko povzroči požar ali električni udar.



Vijaki za pritrditev nosilca za stensko montažo na steno niso priloženi.

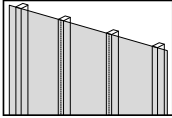
Pri vgradnji nosilca za stensko montažo uporabite vijake, ki so primerni za material in zgradbo stene.

Pred začetkom

Najprej preverite vrsto stene, na katero želite namestiti televizor.

Iz česa je izdelana vaša stena?

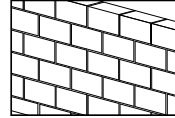
Gips plošče s tramovi



Varnostna opozorila

- Največja debelina gips plošč: 16 mm.
- Zagotovite, da so dimenzije notranjih lesenih tramov vsaj 51 x 102 mm za splošno ali 38 x 89 mm za nominalno.
- Ohranjajte razmik med pritrdilci vsaj 406 mm.

Trden beton ali betonski blok



Varnostna opozorila

- Nosilec za stensko montažo namestite neposredno na trdno betonsko steno.
- Zagotovite, da je debelina trdne betonske stene vsaj 203 mm.
- Zagotovite, da so dimenzije posameznega betonskega bloka vsaj 203 x 203 x 406 mm.

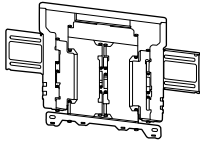

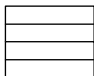

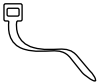
Priloga za vgradnjo

- Pred montažo imejte pri roki Referenčni priročnik za TV in Priročnik za namestitev.
- Potrdite mesto vgradnje televizorja.
- Pripravite štiri vijake s premerom 8 mm in štiri ustrezne podložke (ni priloženo).
Izberite vijake, ki so primerni za material stene.


Preverjanje delov

Priloženo pri SU-WL850

- Preverite, ali so vsi deli priloženi.



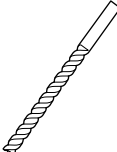
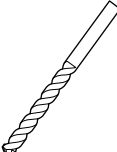
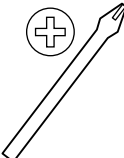






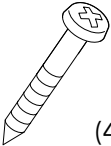
A WM1 (1) 	B WM2 (1) 
C WM3 (4) 	D M6 (4) 
E WT1 (6) 	

Priloženo televizorju

VS Priključek za stensko montažo (4) 
--



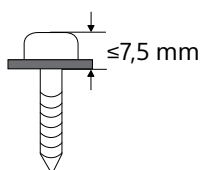
Potrebno orodje

*1 	  5,5 mm  10 mm 		
*2 		 1,5 N·m {15 kgf·cm}	
*3  (4)	*2  (4)	*3  8 mm x 60 mm (4)	

*1 Samo za gips ploče s tramovi

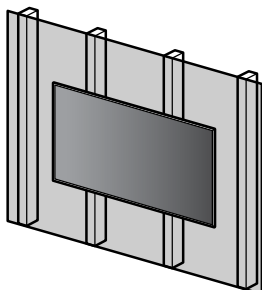
*2 Samo za trden beton ali betonski blok

*3 Pri izbiri vijakov in podložk bodite previdni

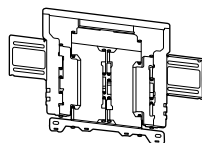


A Montaža televizorja na gips plošče s tramovi

Gips plošče s tramovi



WM1

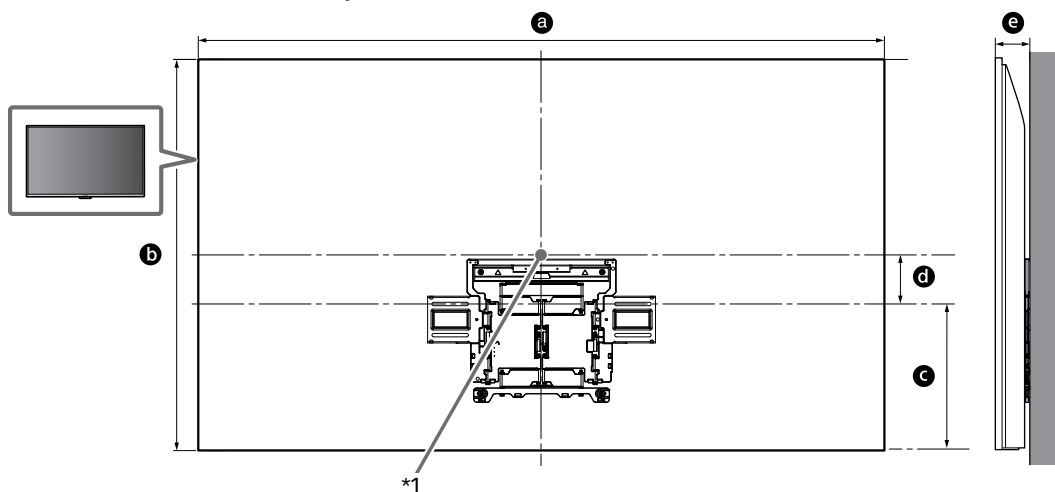


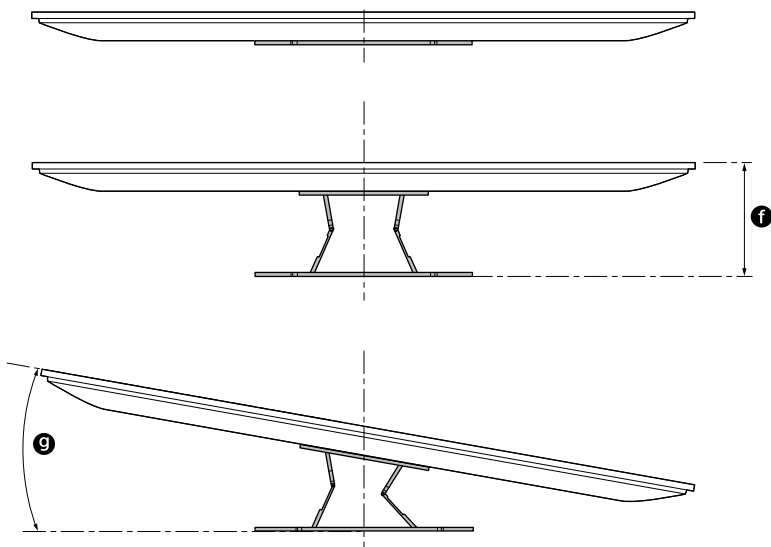
Montaža nosilca za stensko montažo na steno

1 Odločite se za mesto vgradnje.

Na steni naj bo dovolj prostora za televizor, stena pa mora prenesti najmanj štirikratno težo televizorja.

Za stensko montažo televizorja upoštevajte naslednjo tabelo. Težo televizorja preverite v Referenčnem vodiču televizorja.





(mm)

Naziv modela	a	b	c	d	e	f*2	g*2 (°)
KD-75XH80xx	1.686	969	364	123	86	288	15
KE-75XH80xx							
KD-65XH81xx	1.462	841	365	59	83	287	18
KE-65XH81xx							
KD-65XH80xx							
KE-65XH80xx							
KD-55XH81xx	1.243	718	365	3	83	287	20
KE-55XH81xx							
KD-55XH80xx							
KE-55XH80xx							

Televizor, tabela mer za vgradnjo (mm)

Vrednosti v tabeli se lahko rahlo razlikujejo glede na vrsto montaže.

*1 (Središčna točka zaslona.)

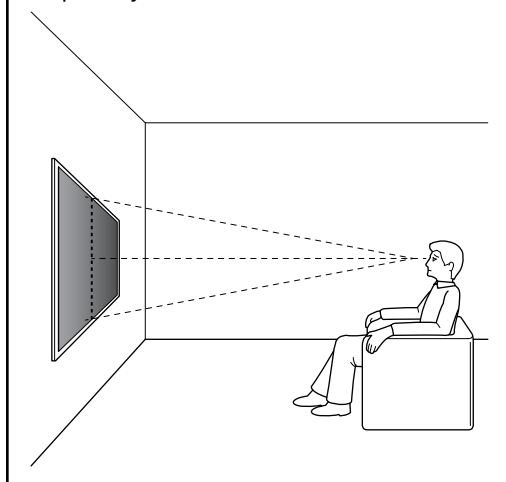
*2 (Pribl.)

Opomba

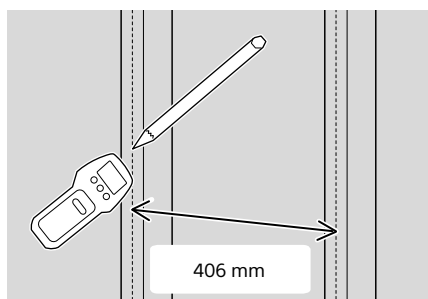
- Pri stenski montaži televizorja se zgornja stranica televizorja malce nagne naprej.

Opomba

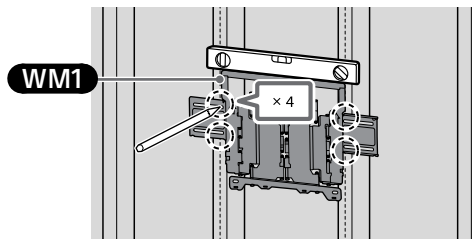
- Priporočamo vam, da preverite položaj televizorja v okolju, kjer ga nameravate uporabljati.



2



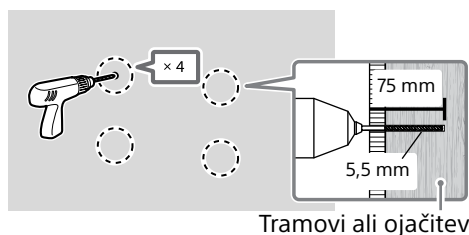
- 3 Nosilec **WM1** namestite na steno in na tramovih naredite štiri oznake.



Opomba

- Z vodno tehniko preverite, ali je **WM1** v vodoravni legi.

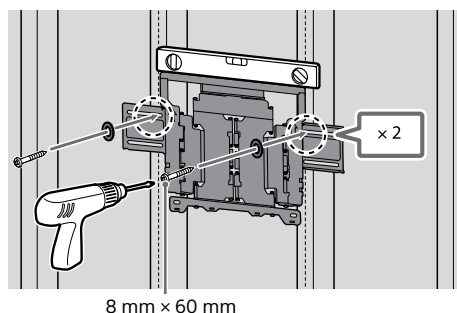
- 4 Na oznakah zvrtejte vodilne luknje.



Opomba

- Vodilne luknje morate zvrtejati do globine 75 mm z uporabo svedra s premerom 5,5 mm.

- 5 Nosilec **WM1** namestite na steno z uporabo primernih vijakov (niso priloženi) in podložk (niso priložene).



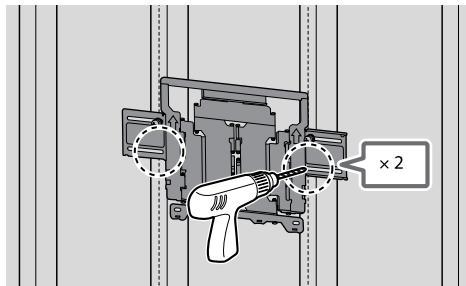
Opomba

- Z vodno tehniko preverite, ali je **WM1** v vodoravni legi.

Varnostni ukrep

- Lesenega vijaka 8 mm x 60 mm ne privijte premočno. Neustrezno privijanje lahko zmanjša moč lesenega vijaka 8 mm x 60 mm.

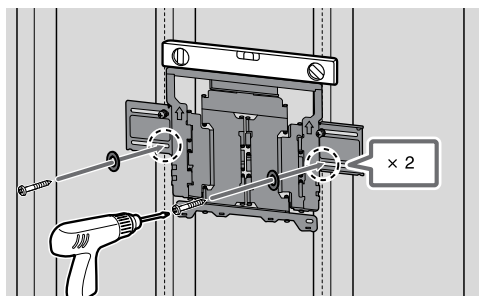
- 6 Na teh oznakah zvrtaite spodnje vodilne luknje. (Za navodila o vrtnanju glejte korak 4.)



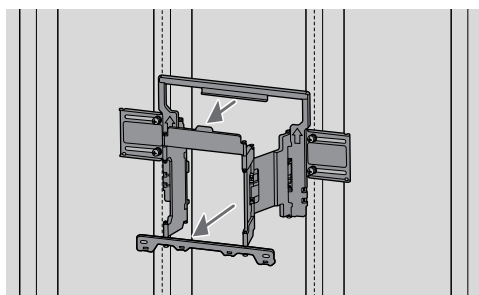
- 7 V luknje vstavite ustrezne vijake in podložke.

Opomba

- Z vodno tehtnico preverite, ali je nosilec za stensko montažo v vodoravni legi.

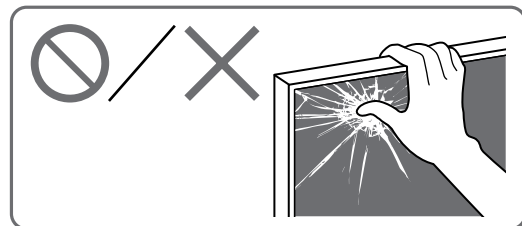


- 8 Roko nosilca izvlecite do konca.

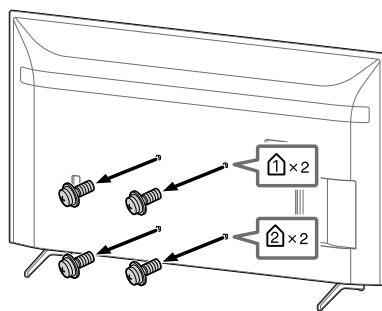


Prilava na vgradnjo televizorja

Pred nameščanjem televizor na steno pritrdite namizno stojalo in pri tem upoštevajte navodila v priložnem priročniku za prilavo.



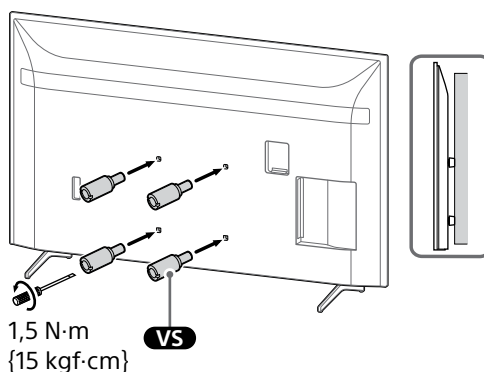
- 1 Odstranite vijake s hrbtne stranice televizorja.



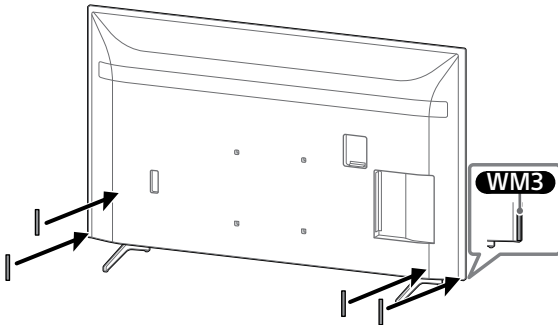
Opomba

- Odstranjene vijake in neuporabljene dele shranite na varnem mestu, zunaj dosega otrok.

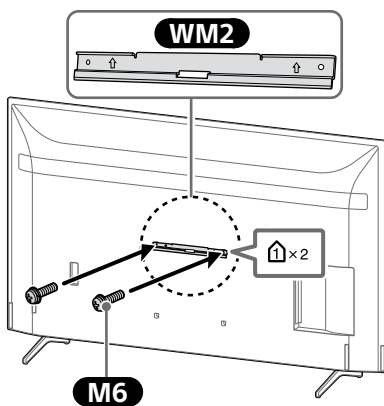
- 2 Namestite priključek za stensko montažo (priložen televizorju) na zadnji del televizorja (da bo vzporedno s steno).



3 Pritrdite **WM3**.

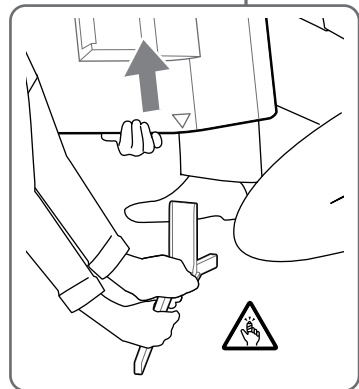
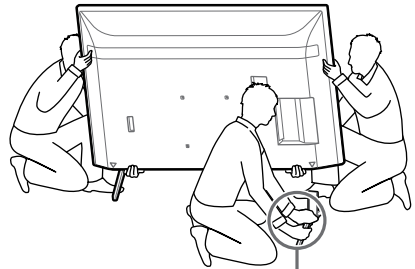


4 Nosilec **WM2** pritrdite na televizor z uporabo vijakov **M6**.



5 Namizno stojalo odstranite s televizorja.

- Odstranite vsako stran namiznega stojala posebej. Namizno stojalo trdno primite z obema rokama, drugi pa naj dvignejo televizor.

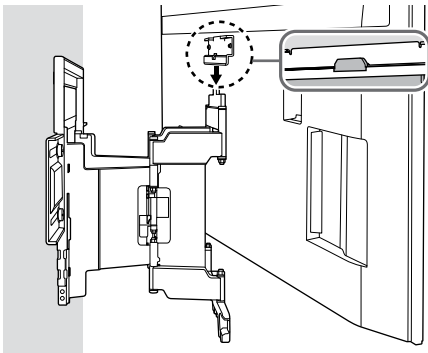
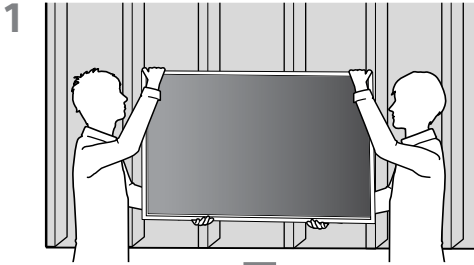


- Ponovite prejšnji korak in odstranite drugo stran namiznega stojala.

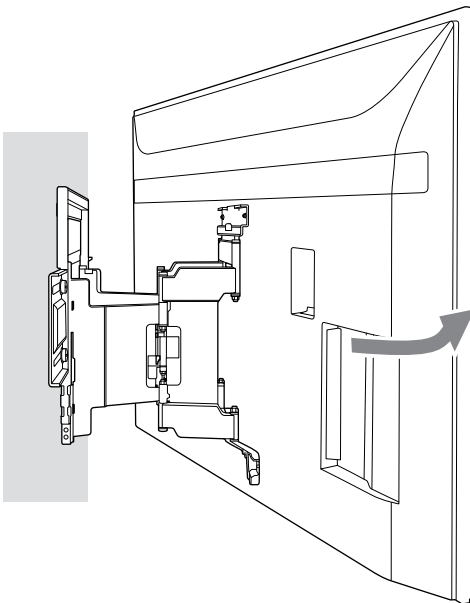
Opomba

- Za odstranjevanje namiznega stojala so potrebne najmanj tri osebe.
- Pazite, da pri odstranjevanju namiznega stojala s televizorja ne uporabite prevelike sile, saj lahko sicer televizor pade, kar lahko povzroči telesne poškodbe ali škodo na televizorju.
- Pri delu z namiznim stojalom bodite previdni, da preprečite škodo na televizorju.
- Bodite previdni, ko dvignete televizor pri snemanju namiznega stojala, saj se lahko namizno stojalo prevrne in povzroči telesne poškodbe.
- Pri snemanju namiznega stojala s televizorja bodite previdni, da ne pade in poškoduje površine, na kateri je televizor.

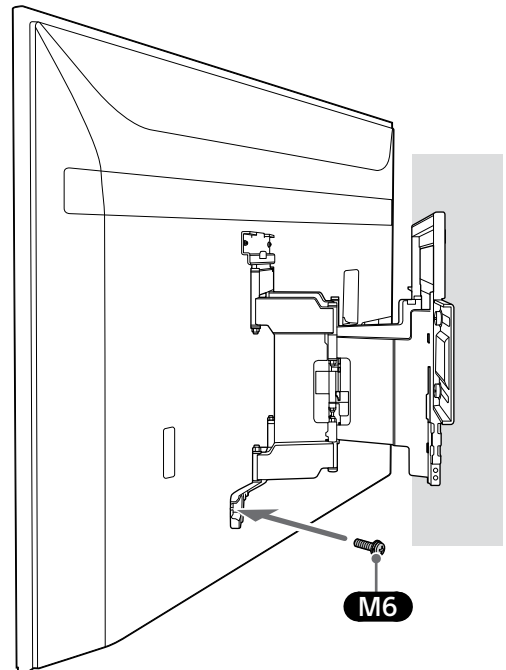
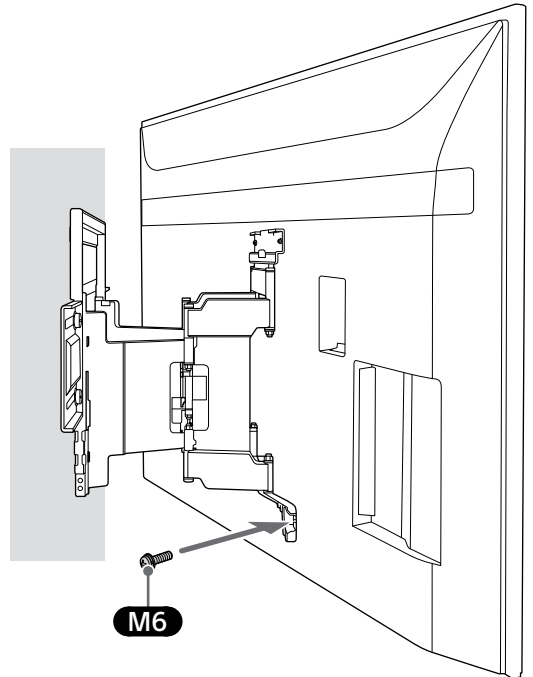
Namestitev televizorja na steno



2

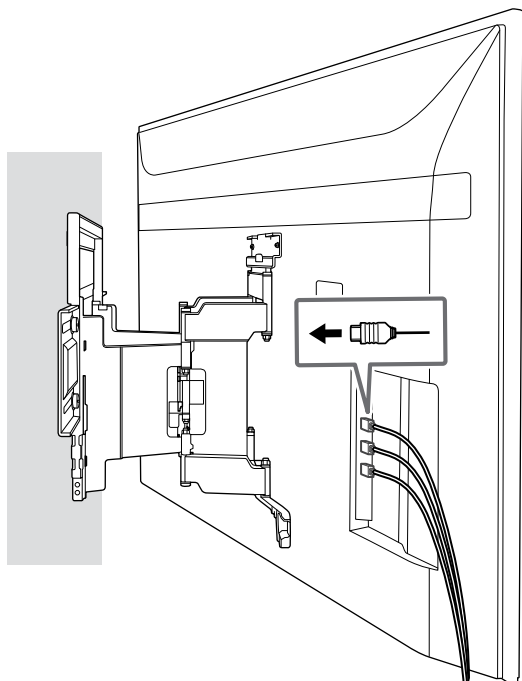


3 Privijte levo in desno stran nosilca za stensko montažo.

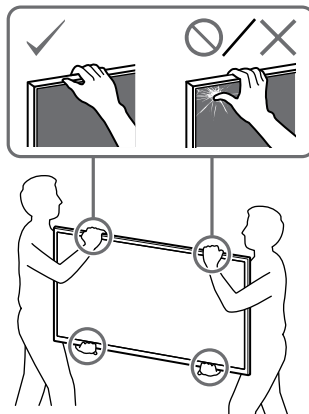


SI

4

**OPOZORILO**

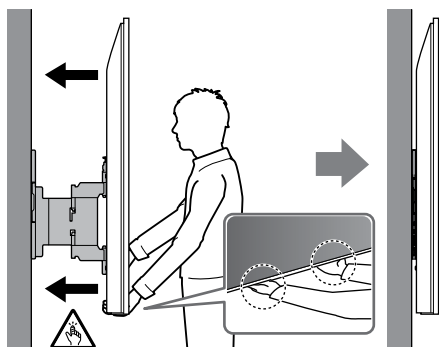
- Poskrbite, da televizor pri prenašanju vedno držita najmanj dve osebi (najmanj tri osebe pri 75-palčnih in večjih televizorjih).

**Preverjanje vgradnje**

Preverite naslednje točke.

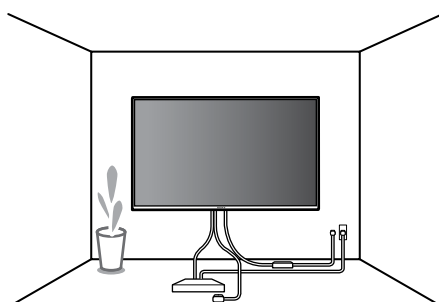
- Kabli niso zviti ali stisnjeni.

5 Pri premikanju televizorja trdno držite spodnjo stranico.

**OPOZORILO**

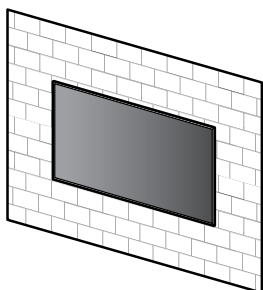
- Napačna postavitev izmeničnega napajalnega kabla itd. lahko povzroči požar ali električni udar zaradi kratkega stika. Poskrbite, da zaradi varnosti preverite vgradnjo.

6

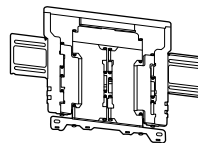


B Pritrditev nosilca za stensko montažo na trden beton ali betonski blok

Trden beton ali betonski blok



WM1

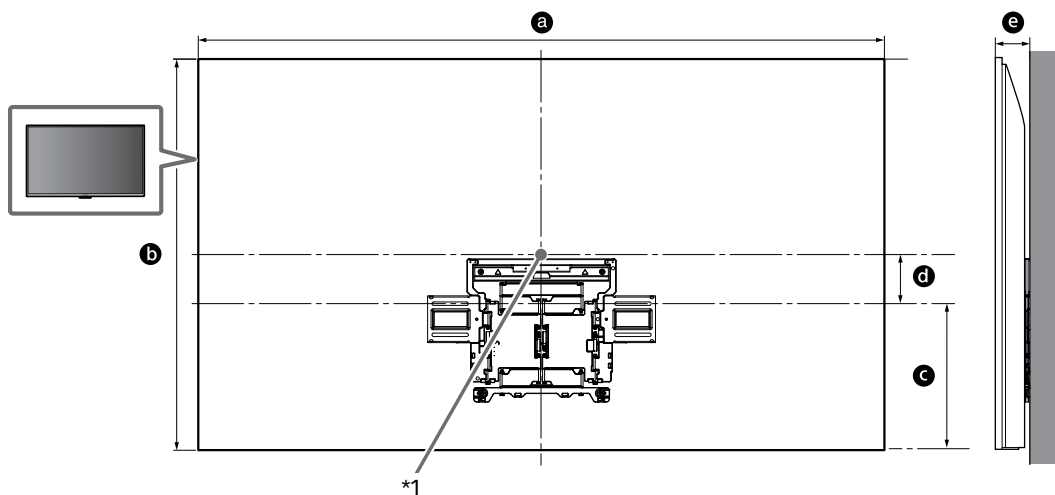


Montaža nosilca za stensko montažo na steno

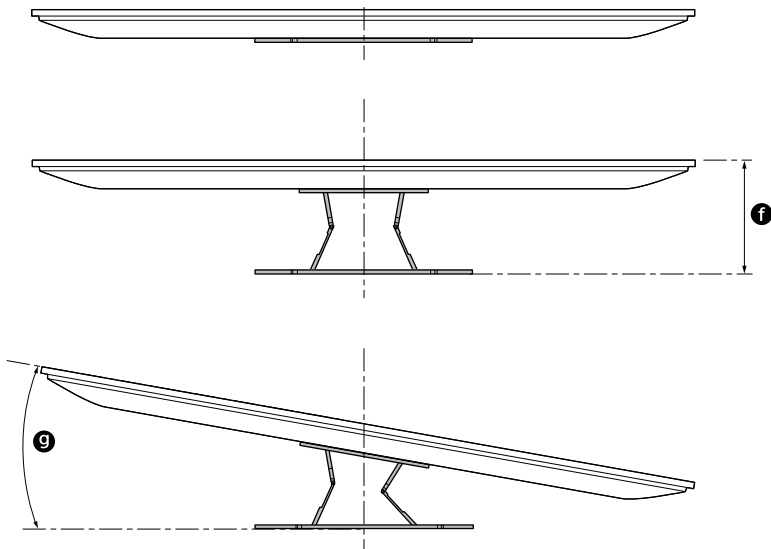
1 Odločite se za mesto vgradnje.

Na steni naj bo dovolj prostora za televizor, stena pa mora prenesti najmanj štirikratno težo televizorja.

Za stensko montažo televizorja upoštevajte naslednjo tabelo. Težo televizorja preverite v Referenčnem vodiču televizorja.



SI



(mm)

Naziv modela	a	b	c	d	e	f*2	g*2 (°)
KD-75XH80xx	1.686	969	364	123	86	288	15
KE-75XH80xx							
KD-65XH81xx	1.462	841	365	59	83	287	18
KE-65XH81xx							
KD-65XH80xx							
KE-65XH80xx	1.243	718	365	3	83	287	20
KD-55XH81xx							
KE-55XH81xx							
KD-55XH80xx							
KE-55XH80xx							

Televizor, tabela mer za vgradnjo (mm)

Vrednosti v tabeli se lahko rahlo razlikujejo glede na vrsto montaže.

*1 (Središčna točka zaslona.)

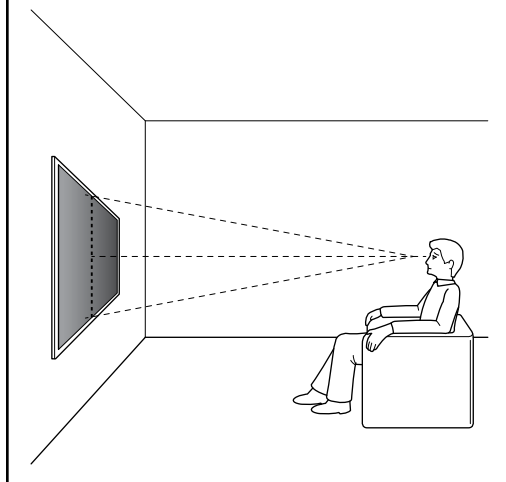
*2 (Pribl.)

Opomba

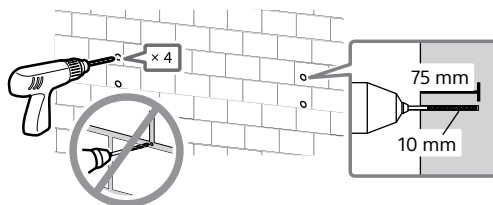
- Pri stenski montaži televizorja se zgornja stranica televizorja malce nagne naprej.

Opomba

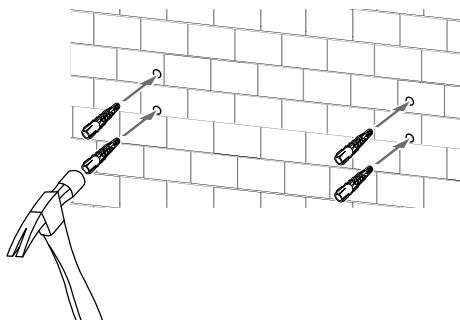
- Priporočamo vam, da preverite položaj televizorja v okolju, kjer ga nameravate uporabljati.



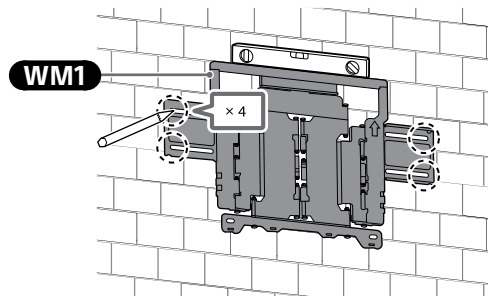
3 Na oznakah izvrtajte pomožne luknje.



4



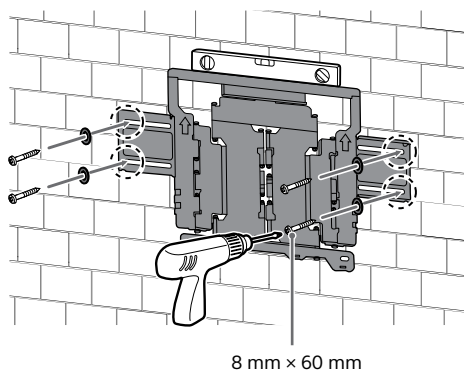
2 Nosilec WM1 postavite na zid in naredite štiri oznake.



Opomba

- Z vodno tehtnico preverite, ali je WM1 v vodoravni legi.

5 Nosilec WM1 namestite na steno z uporabo primernih vijakov (niso priloženi) in podložk (niso priložene).



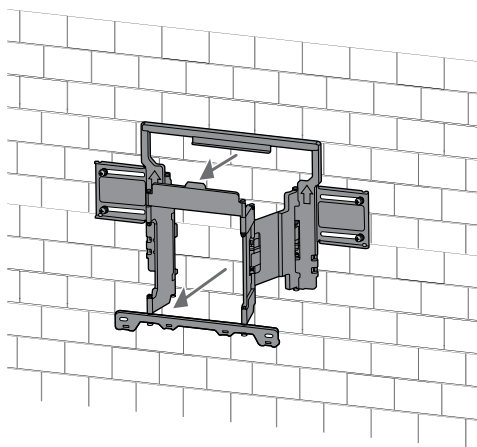
Opomba

- Z vodno tehtnico preverite, ali je nosilec za stensko montažo v vodoravni legi.

Varnostni ukrep

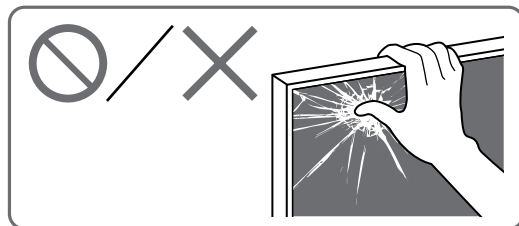
- Lesenega vijaka 8 mm x 60 mm ne privijte premočno. Neustrezno privijanje lahko zmanjša moč lesenega vijaka 8 mm x 60 mm.

6 Roko nosilca izvlecite do konca.

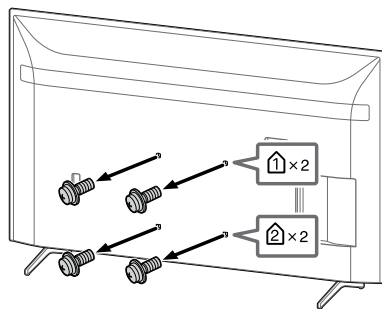


Priprava na vgradnjo televizorja

Pred nameščanjem televizor na steno pritrdite namizno stojalo in pri tem upoštevajte navodila v priložnem priročniku za pripravo.



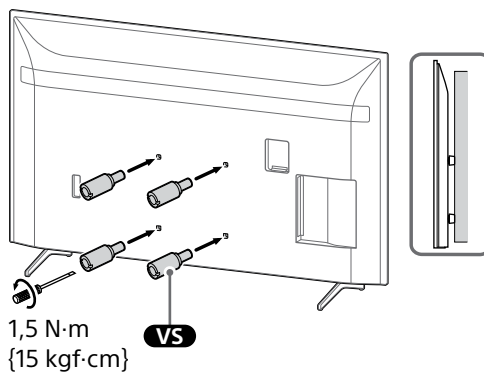
1 Odstranite vijake s hrbtne stranice televizorja.



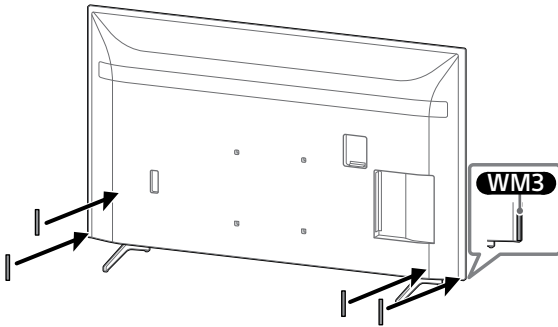
Opomba

- Odstranjene vijake in neuporabljene dele shranite na varnem mestu, zunaj dosega otrok.

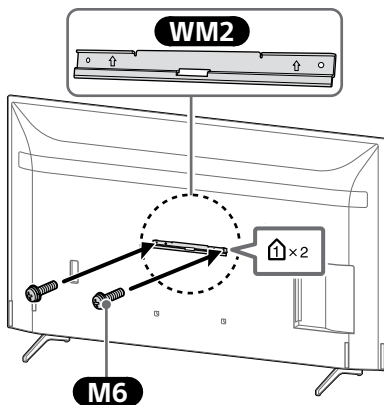
2 Namestite priključek za stensko montažo (priložen televizorju) na zadnji del televizorja (da bo vzporedno s steno).



3 Pritrdite **WM3**.

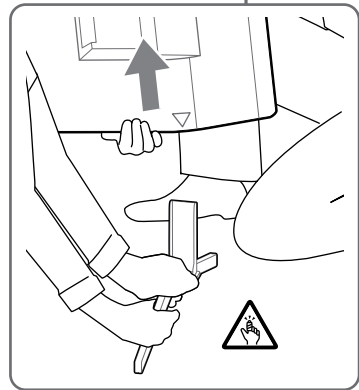
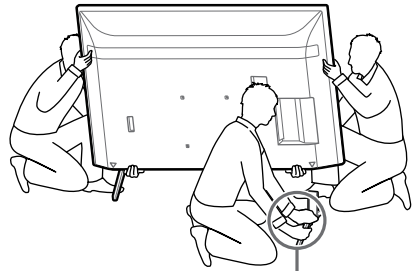


4 Nosilec **WM2** pritrdite na televizor z uporabo vijakov **M6**.



5 Namizno stojalo odstranite s televizorja.

- Odstranite vsako stran namiznega stojala posebej. Namizno stojalo trdno primete z obema rokama, drugi pa naj dvignejo televizor.

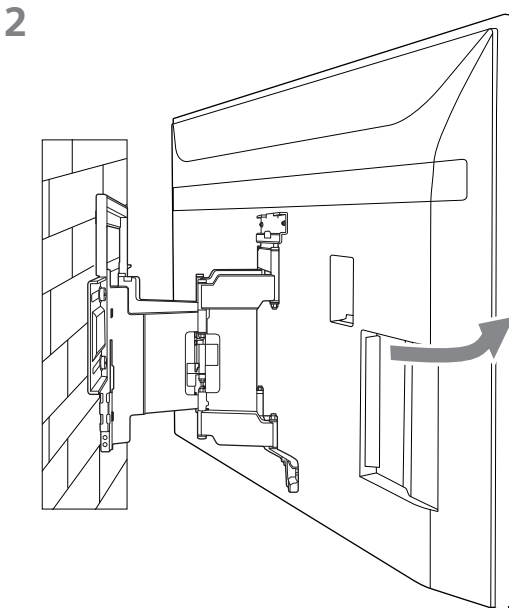
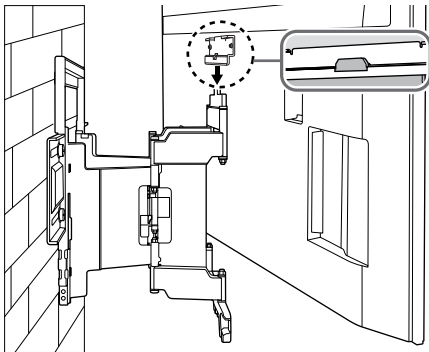
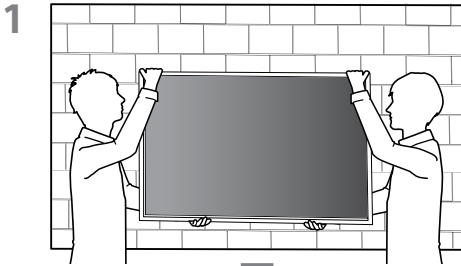


- Ponovite prejšnji korak in odstranite drugo stran namiznega stojala.

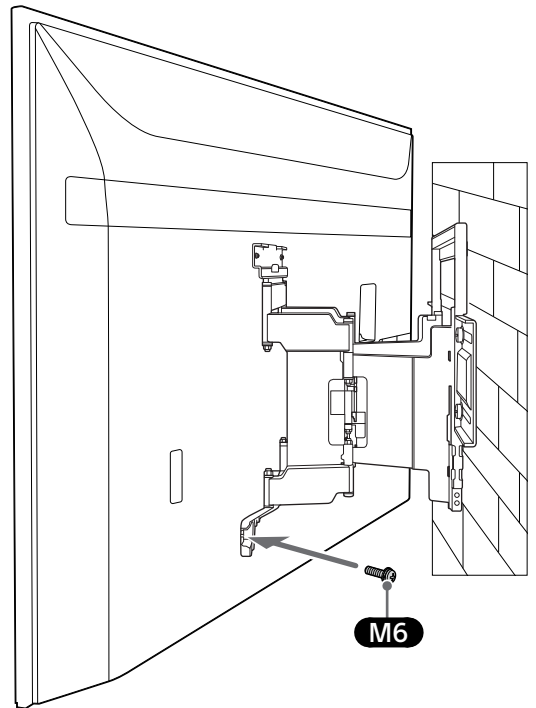
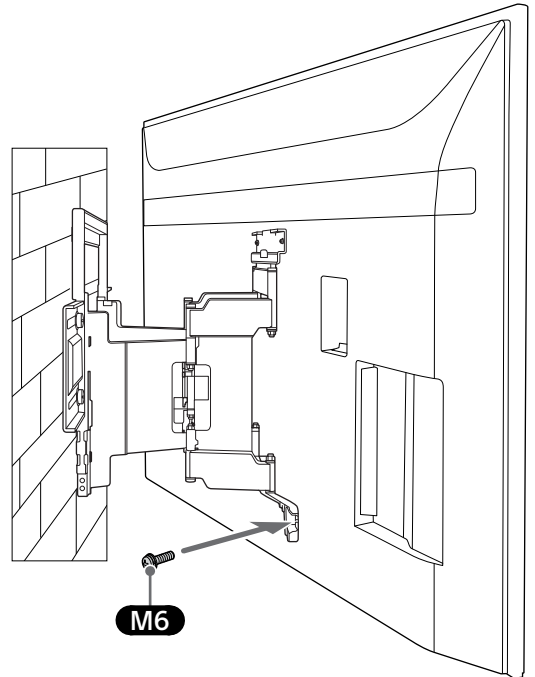
Opomba

- Za odstranjevanje namiznega stojala so potrebne najmanj tri osebe.
- Pazite, da pri odstranjevanju namiznega stojala s televizorja ne uporabite prevelike sile, saj lahko sicer televizor pade, kar lahko povzroči telesne poškodbe ali škodo na televizorju.
- Pri delu z namiznim stojalom bodite previdni, da preprečite škodo na televizorju.
- Bodite previdni, ko dvignete televizor pri snemanju namiznega stojala, saj se lahko namizno stojalo prevrne in povzroči telesne poškodbe.
- Pri snemanju namiznega stojala s televizorja bodite previdni, da ne pade in poškoduje površine, na kateri je televizor.

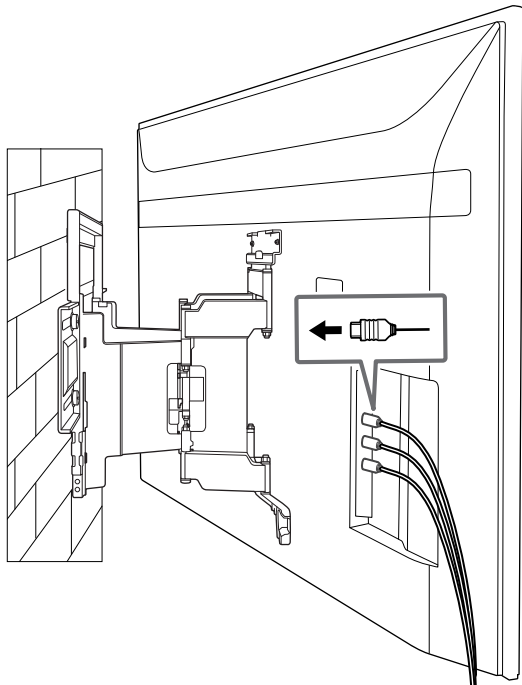
Namestitev televizorja na steno



3 Privijte levo in desno stran nosilca za stensko montažo.

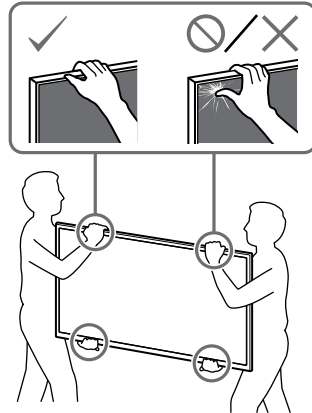


4

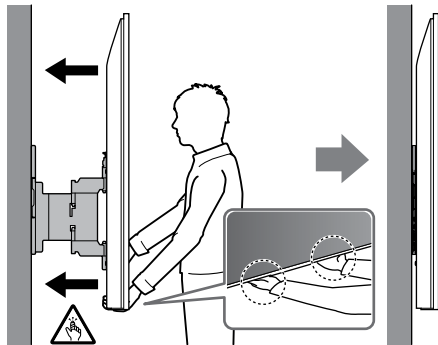


OPOZORILO

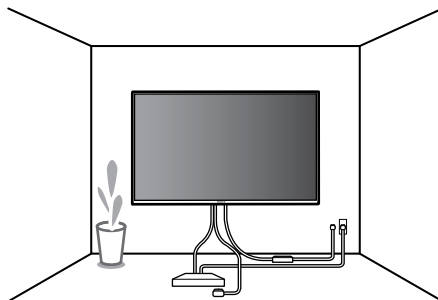
- Poskrbite, da televizor pri prenašanju vedno držita najmanj dve osebi (najmanj tri osebe pri 75-palčnih in večjih televizorjih).



5 Pri premikanju televizorja trdno držite spodnjo stranico.



6



SI

Preverjanje vgradnje

Preverite naslednje točke.

- Kabli niso zviti ali stisnjeni.

OPOZORILO

- Napačna postavitev izmeničnega napajalnega kabla itd. lahko povzroči požar ali električni udar zaradi kratkega stika. Poskrbite, da zaradi varnosti preverite vgradnjo.

Druge informacije

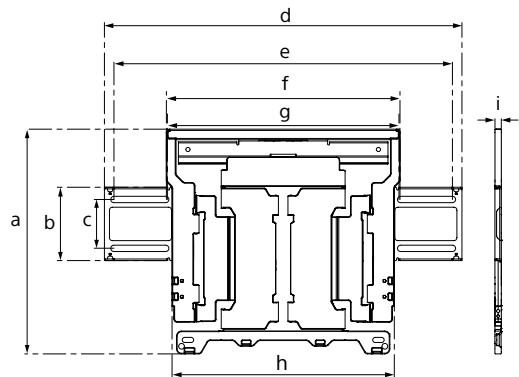
Pri odstranjevanju televizorja opravite prejšnji postopek vgradnje v obratnem vrstnem redu.

OPOZORILO

- Poskrbite, da televizor pri odstranjevanju vedno držita najmanj dve osebi (najmanj tri osebe pri 75-palčnih in večjih televizorjih).

Tehnični podatki

WM1



Mere: (približno) (mm)

- a : 354
- b : 116
- c : 77
- d : 563
- e : 533
- f : 370
- g : 368
- h : 350
- i : 11

Teža (samo podstavek): (približno) (kg)

3,0

Zasnove in tehnični podatki se lahko kadar koli nenapovedano spremenijo.

Informacije za instalaciju Sony nosača za postavljanje na zid (SU-WL850)

Podržani modeli*:

KD-75XH80xx / 65XH81xx / 65XH80xx / 55XH81xx / 55XH80xx

KE-75XH80xx / 65XH81xx / 65XH80xx / 55XH81xx / 55XH80xx

* U stvarnim nazivima modela »xx« označava brojke i/ili slova specifične za pojedini model.

Za korisnike

Radi zaštite proizvoda i iz sigurnosnih razloga, Sony svesrdno preporučuje da postavljanje Vašeg TV-a obave Sony trgovci ili ovlašteni dobavljači. Nemojte ga pokušavati postaviti sami.

Za Sony trgovce i dobavljače

Posvetite punu pozornost sigurnosti za vrijeme postavljanja, periodičkoga održavanja i ispitivanja ovoga proizvoda.

Za postavljanje ovoga proizvoda, naročito za određivanje čvrstoće zida za podnošenje težine TV-a, potrebna je odgovarajuća stručnost. Pobrinite se da se pričvršćivanje ovoga proizvoda na zid povjeri Sony trgovcima ili ovlaštenim dobavljačima, te da se za vrijeme postavljanja odgovarajuća pozornost posveti sigurnosti. Sony ne odgovara ni za kakvo oštećenje ili ozljedu uzrokovanu nepravilnim postupanjem ili postavljanjem.

Zbog sigurnosti i pravilne ugradnje, slijedite Upute za postavljanje zidnog nosača, Vodič za postavljanje TV-a i upute iz ovog priručnika.

Nosač za postavljanje na zid

O sigurnosti

Zahvaljujemo na kupnji ovog proizvoda.

Za korisnike

Postavljanje TV-a na zid



UPOZORENJE

ZAHTIJEVA PROFESIONALNO POSTAVLJANJE

Proizvod treba postaviti isključivo profesionalni instalater koji je obučen za procjenu čvrstoće zida, odnosno može li izdržati težinu TV prijemnika. Ako nije pravilno učvršćen prilikom postavljanja, TV prijemnik može se prevrnuti i uzrokovati ozbiljne ozljede. Sony nije odgovoran za štete ili ozljede uzrokovane nepravilnim rukovanjem ili nepravilnim postavljanjem, ili instalacijom drugih proizvoda. To ne utječe na vaša statutorna prava.

Sonyjevim dobavljačima

Za postavljanje proizvoda potrebna je određena stručnost. Svakako pažljivo pročitajte korisnički priručnik da biste proizvod sigurno postavili. Tvrtka Sony nije odgovorna za štete ili ozljede uzrokovane neispravnim rukovanjem ili nepravilnim postavljanjem. Priručnik nakon postavljanja predajte kupcu.

Ovaj korisnički priručnik pokazuje kako pravilno rukovati proizvodom i sadrži važne mjere opreza neophodne za izbjegavanje nezgoda. Dužni ste pročitati, proučiti i slijediti upute iz uputa za postavljanje. U protivnom može doći do ozbiljnih ozljeda ili materijalne štete, ili poništenja jamstva. Priručnik zadržite za buduću upotrebu.

Sony proizvodi dizajnirani su sa sigurnošću u vidu. Međutim, ako se proizvod ne upotrebljava ispravno, to može dovesti do ozbiljne ozljede vatrom, do strujnog udara, prevrtanja proizvoda ili njegovog pada. Svakako se pridržavajte mjera opreza da biste spriječili takve nezgode.

OPREZ

Specificirani proizvodi

Ovaj nosač za postavljanje na zid dizajniran je za upotrebu sa specificiranim modelima TV-a. U »Referentni vodič« provjerite može li se s pojedinim modelom TV prijemnika koristiti nosač za postavljanje na zid.

Za korisnike

UPOZORENJE

Ako se ne pridržavate sljedećih mjera opreza, može doći do ozbiljnih ozljeda ili smrtnog slučaja zbog izbijanja požara, strujnog udara ili pada proizvoda.

Postavljanje svakako prepustite licenciranim izvođačima te ne dopuštajte pristup djeci tijekom postavljanja.

Ako nosač za postavljanje na zid ili TV nisu pravilno postavljeni, može doći do sljedećih nezgoda. Postavljanje neka obavljaju isključivo licencirani izvođači.

- TV može pasti i uzrokovati ozbiljne ozljede poput ogrebotina ili lomova.
- Ako zid na koji je nosač za postavljanje na zid nije stabilan, ravan ili okomit na pod, proizvod može pasti i uzrokovati ozljede ili materijalnu štetu. Važno je da zid može izdržati težinu barem šest puta veću od težine TV prijemnika. (Težinu potražite u »Referentni vodič«.)
- Ako instalacija nosača za postavljanje na zid nije dovoljno čvrsta, jedinica može pasti i uzrokovati ozljede ili materijalnu štetu.

Premještanje ili skidanje televizora svakako prepustite licenciranim izvođačima.

Ako prijevoz i skidanje radi netko tko nije licencirani izvođač, TV može pasti i uzrokovati ozljede ili materijalnu štetu. Pobrinite se da dvije ili više osoba (tri ili više osoba za televizor veličine 75 inča ili veći) nose ili uklanjaju TV s nosača.

Ne uklanjajte vijke itd. nakon postavljanja TV-a.

Ako to učinite, TV može pasti i uzrokovati ozljede ili materijalnu štetu.

Ne mijenjajte dijelove nosača za postavljanje na zid.

Ako to učinite, nosač za postavljanje na zid može pasti i uzrokovati ozljede ili materijalnu štetu.

Na instalirajte drugu opremu osim specificiranog proizvoda.

Ovaj nosač za postavljanje na zid dizajniran je za upotrebu samo sa specificiranim modelima. Ako na njega stavite neku drugu opremu, može pasti ili se slomiti, te može uzrokovati ozljede ili materijalnu štetu.

Na nosač za postavljanje na zid ne stavljajte drugi teret osim TV-a.

Ne tresite TV prijemnik desno/lijevo, gore/dolje.

Ako to učinite, TV može pasti i uzrokovati ozljede ili materijalnu štetu.

Ne oslanjajte se na TV i ne vješajte o njega.

Ne oslanjajte se na TV i ne vješajte o njega jer može pasti i uzrokovati ozbiljne ozljede.

OPREZ

Ako se ne pridržavate navedenih mjera opreza, može doći do ozljeda ili materijalne štete.

- Pazite da ne prignječite prste dok rukujete nosačem za postavljanje na zid ili zakrećete TV prijemnik.
- Dok zakrećete TV prijemnik budite oprezni i pazite da ne udarite nikoga u blizini.
- Nekorištene dijelove spremite na sigurno mjesto za naknadnu upotrebu. Držite ih podalje od djece.

Ne rukujte proizvodom prekomjernom silom dok ga čistite ili održavate.

Ne primijenjujte prekomjernu silu s gornje strane televizora. Ako to učinite, TV može pasti i uzrokovati ozljede ili materijalnu štetu.

Mjere opreza

- Ako duže vrijeme televizor držite na nosaču za postavljanje na zid, zid iza TV-a može izgubiti boju ili se tapeta može odlijepiti, ovisno o materijalu na zidu.
- Ako uklonite nosač za postavljanje na zid nakon postavljanja na zid, ostat će vidljive rupe od vijaka.
- Ne postavljajte nosač za postavljanje na zid na mjesta na kojima je izložen mehaničkim vibracijama.

Postavljanje nosača za postavljanje na zid

Sonyjevim dobavljačima

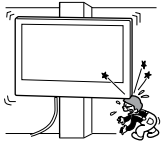
UPOZORENJE

Sljedeće upute odnose se isključivo na Sonyjeve dobavljače. Svakako pročitajte gore navedene mjere opreza i posebnu pozornost posvetite sigurnosti tijekom postavljanja, održavanja i provjere proizvoda.

HR

Ne postavljajte nosač za postavljanje na zidove na kojima kutovi ili rubovi televizora mogu stršiti.

Ne postavljajte nosač za postavljanje na zid na zidove na kojima kutovi ili rubovi televizora mogu stršati. Ako neka osoba ili predmet udare o stršeći kut ili bočnu stranu televizora, može doći do ozljede ili nastati materijalna šteta.

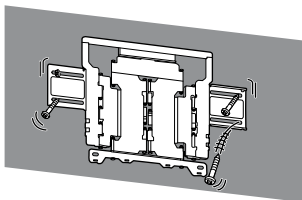


Ne postavljajte televizor iznad ili ispod klimatizacijskog uređaja.

Ako je televizor izložen curenju vode ili struji zraka iz klimatizacijskog uređaja, može doći do izbijanja požara, strujnog udara ili kvara televizora.

Svakako dobro učvrstite nosač za postavljanje na zid slijedeći upute iz ovog korisničkog priručnika.

Ako su neki vijci slabo zavijeni ili ispadnu, nosač za postavljanje na zid može se srušiti i uzrokovati ozljede ili materijalnu štetu. Upotrijebite odgovarajuće vijci za zid i sigurno postavite jedinicu tako da je pričvrstite vijci promjera 8 mm (ili sličnima).



Upotrijebite isporučene vijke i pričvrсни pribor slijedeći upute iz ovog korisničkog priručnika. Ako se koristite zamjenskim dijelovima, televizor može pasti i uzrokovati tjelesne ozljede ili oštećenje televizora.

Pravilno sastavite nosač slijedeći postupak opisan u ovom korisničkom priručniku.

Ako vijci nisu dobro pritegnuti ili ispadnu, televizor može pasti i uzrokovati tjelesne ozljede ili oštećenje televizora.

Obavezno dobro pritegnite vijke na označenom mjestu.

Ako to ne učinite, televizor može pasti i uzrokovati tjelesne ozljede ili oštećenje televizora.

Pazite da televizor ne bude izložen udarcima tijekom postavljanja.

Udarci mogu uzrokovati pad ili lomljenje televizora. To može uzrokovati ozljede.

Televizor obavezno postavite na zid koji je okomit i ravan.

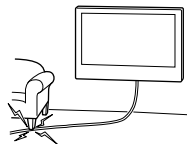
Ako to ne učinite, televizor može pasti i uzrokovati ozljede.

Nakon što pravilno postavite televizor ispravno učvrstite kabele.

Ako se o kabele zapletu ljudi ili predmeti, može doći do ozljede ili može nastati materijalna šteta.

Pazite da ne dođe do priklještenja naponskog kabela izmjenične struje ili priključnog kabela.

Ako se naponski kabel izmjenične struje ili priključni kabel uklješti između jedinice i zida, ili su silom zavrnuti ili savijeni, može doći do izlaganja unutarnjih vodiča, što može uzrokovati kratki spoj ili strujni udar. To može izazvati požar ili strujni udar.



Vijci kojima se nosač za postavljanje na zid treba učvrstiti nisu isporučeni.

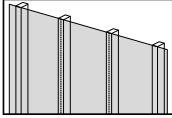
Kada instalirate nosač za postavljanje na zid, upotrijebite odgovarajuće vijke za materijal od kojega je zid izgrađen.

Priprema

Najprije provjerite zid na koji namjeravate postaviti TV.

Od kojeg je materijala vaš zid?

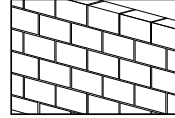
Gipsane ploče s drvenom potkonstrukcijom



Mjere opreza

- Maksimalna debljina gipsanih ploča: 16 mm.
- Provjerite jesu li unutarnje dimenzije stupova drvene potkonstrukcije najmanje 51 x 102 mm za obične ili 38 x 89 mm za nominalne stupove.
- Vodoravni razmak između točki učvršćivanja mora biti najmanje 406 mm.

Puni betonski zid ili betonski blokovi



Mjere opreza

- Nosač za postavljanje na zid postavite izravno na betonski zid.
- Debljina betonskog zida mora biti najmanje 203 mm.
- Dimenzije betonskih blokova moraju biti najmanje 203 x 203 x 406 mm.

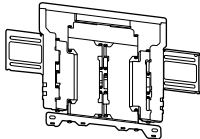

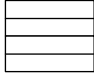

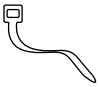
Priprema za postavljanje

- Neka vam prije ugradnje pri ruci budu Referentni vodič za TV i Vodič za postavljanje.
- Provjerite mjesto postavljanja televizora.
- Pripremite četiri vijka promjera 8 mm i četiri podloška (nisu isporučeni u kompletu). Odaberite vijke koji odgovaraju materijalu od kojega je izgrađen zid.

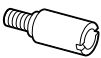
Provjera dijelova

Isporučeno sa SU-WL850

- Provjerite imate li sve dijelove.



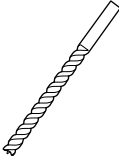
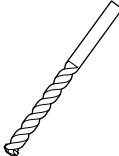
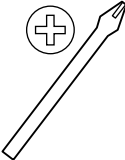






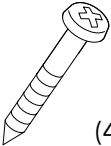
Ⓐ WM1 (1) 	Ⓑ WM2 (1) 
Ⓒ WM3 (4) 	Ⓓ M6 (4) 
Ⓔ WT1 (6) 	

Isporučeno sa TV-om

VS Priključak nosača za postavljanje na zid (4) 



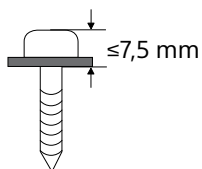
Potreban je alat

*1 	  5,5 mm  10 mm 		
*2 		 1,5 N·m {15 kgf·cm}	
*3  (4)	*2  (4)	*3  (4) 8 mm x 60 mm	

*1 Samo za gipsane ploče s drvenom potkonstrukcijom

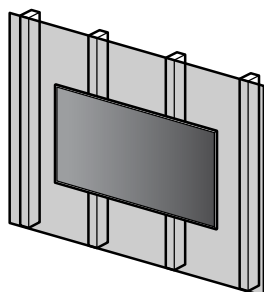
*2 Samo za betonski zid ili betonske blokove

*3 Pažljivo odaberite vijke i podloške

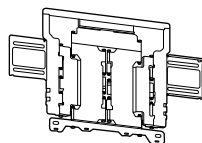


A Postavljanje TV-a gipsane ploče s drvenom potkonstrukcijom

Gipsane ploče s drvenom potkonstrukcijom



WM1

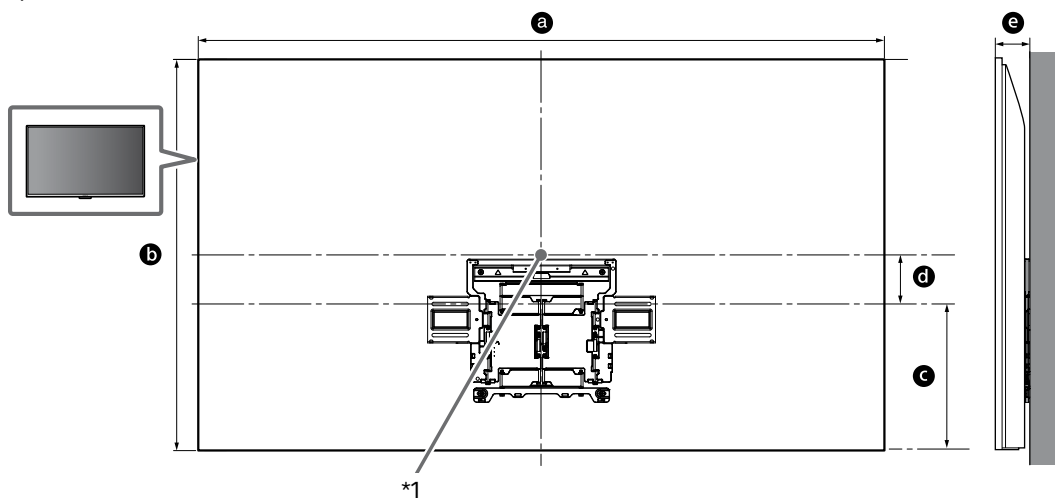


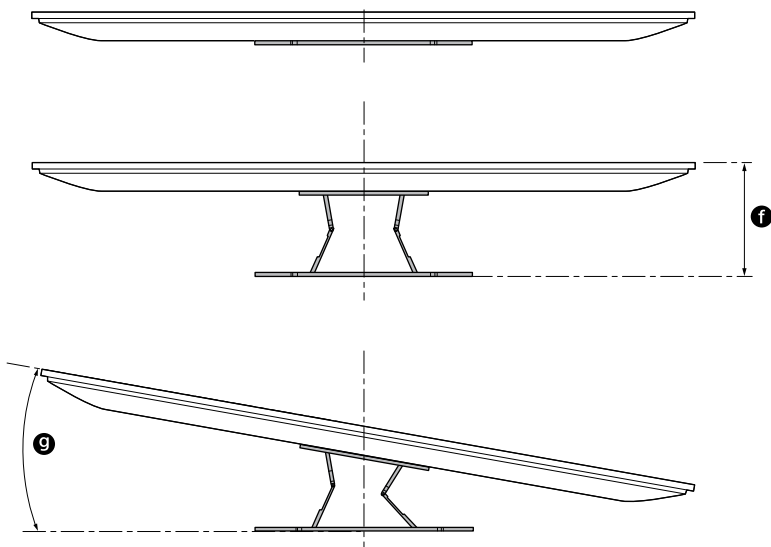
Montaža nosača za postavljanje na zid

1 Odlučite o mjestu postavljanja.

Provjerite ima li na zidu dovoljno mjesta za TV, te može li nositi najmanje četverostruku težinu TV-a.

Za postavljanje TV-a na zid pogledajte sljedeću tablicu. U Referentnom vodiču svog TV-a potražite težinu TV-a.





(mm)

Naziv modela	a	b	c	d	e	f*2	g*2 (°)
KD-75XH80xx	1.686	969	364	123	86	288	15
KE-75XH80xx							
KD-65XH81xx	1.462	841	365	59	83	287	18
KE-65XH81xx							
KD-65XH80xx							
KE-65XH80xx							
KD-55XH81xx	1.243	718	365	3	83	287	20
KE-55XH81xx							
KD-55XH80xx							
KE-55XH80xx							

Tablica s dimenzijama za postavljanje televizora (mm)

Podaci u tablici mogu neznatno odstupati ovisno o instalaciji.

*1 (Središnja točka zaslona)

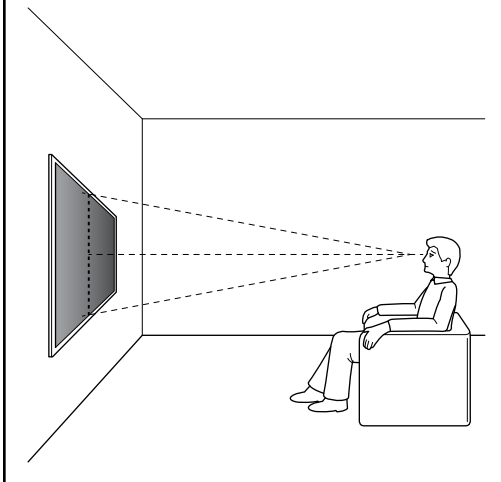
*2 (Približ.)

Napomena

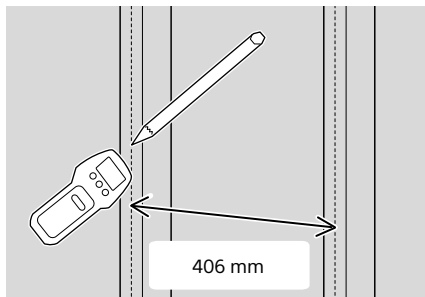
- Kad je Vaš TV postavljen na zid, gornja strana TV-a malo je nagnuta naprijed.

Napomena

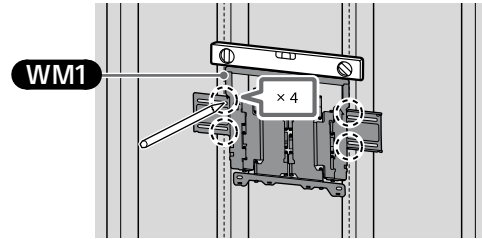
- Preporučujemo da provjerite položaj TV prijemnika u okruženju.



2



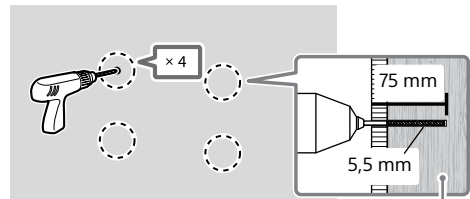
- 3 Poravnajte **WM1** sa zidom i označite četiri rupe u ravnini s gredama.



Napomena

- Libelom provjerite je li **WM1** ravan.

- 4 Izbušite gornje pilot rupe na označenim mjestima.

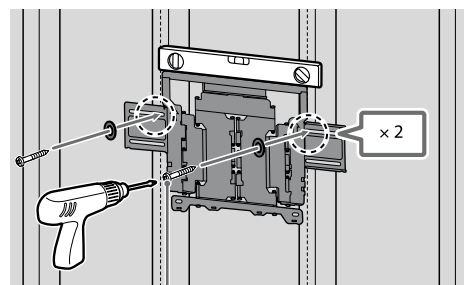


Podkonstrukcija ili ojačanje

Napomena

- Pilot rupe moraju se izbušiti do dubine od 75 mm, pomoću borera debljine 5,5 mm.

- 5 Pričvrstite **WM1** na zid odgovarajućim vijcima (nisu isporučeni u kompletu) i podloškama (nisu isporučene u kompletu).



8 mm × 60 mm

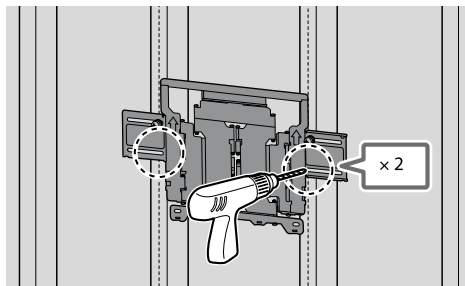
Napomena

- Libelom provjerite je li **WM1** ravan.

Mjere opreza

- Ne prezatežite vijke za drvo 8 mm x 60 mm. Neodgovarajuća sila zatezanja može umanjiti nosivost vijka za drvo 8 mm x 60 mm.

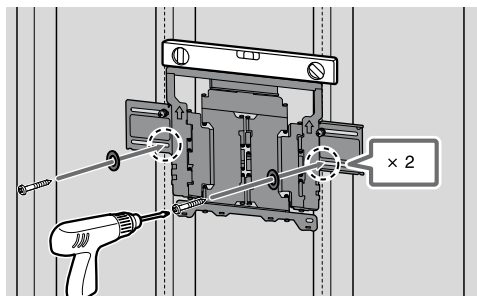
- 6 Izbušite donje pilot rupe na označenim mjestima. (Upute za bušenje pronaći ćete u 4. koraku.)



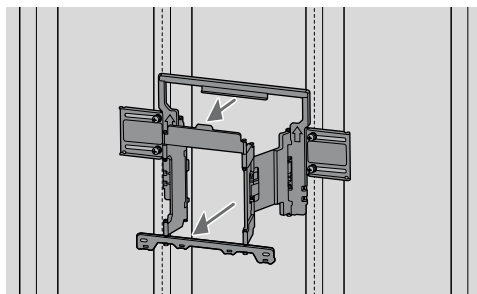
- 7 U rupe umetnite odgovarajuće vijke i podloške.

Napomena

- Libelom provjerite je li nosač za postavljanje na zid ravan.

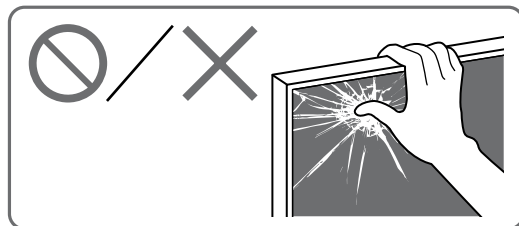


- 8 Razvucite krak nosača do kraja.

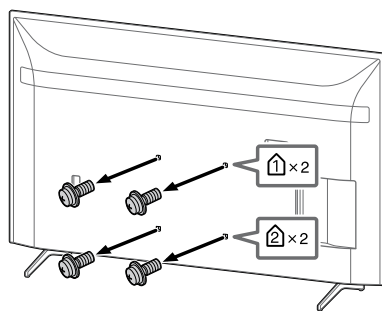


Priprema za postavljanje televizora na zid

Prije instalacije TV-a svakako na njega najprije pričvrstite postolje za stol na način prikazan u Vodiču za postavljanje.



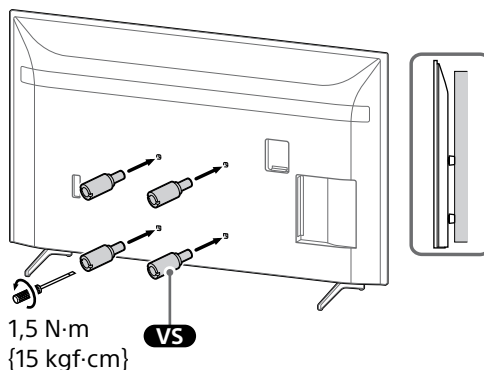
- 1 Skinite vijke sa stražnje strane TV-a.



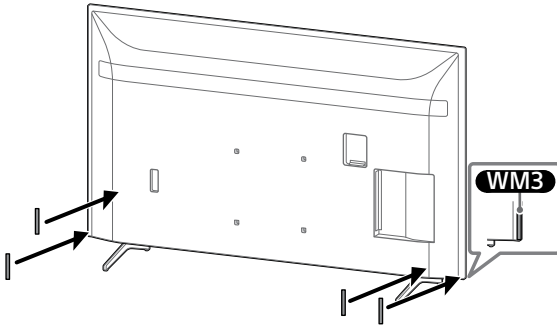
Napomena

- Uklonjene vijke i neiskorištene dijelove spremite na sigurno mjesto, držeći ih dalje od djece.

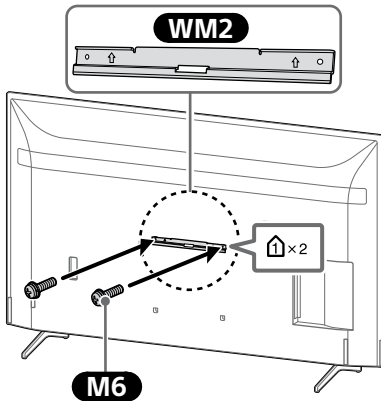
- 2 Pričvrstite priključak nosača za postavljanje na zid (isporučen uz TV) na stražnju stranu TV-a (kako bi bio paralelan sa zidom).



3 Pričvrstite WM3.

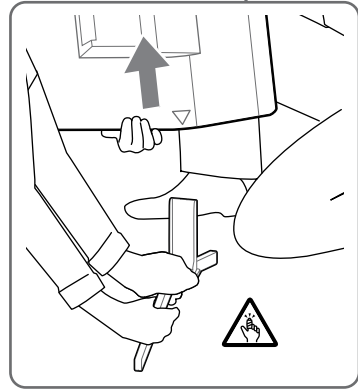
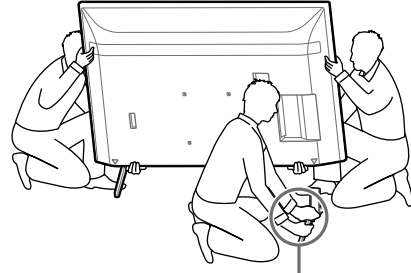


4 Pričvrstite WM2 na TV pomoću M6.



5 Skinite Postolje za stol s TV-a.

- Uklonite jednu po jednu stranu postolja za stol. Čvrsto držite postolje za stol objema rukama dok druge osobe podignu TV.

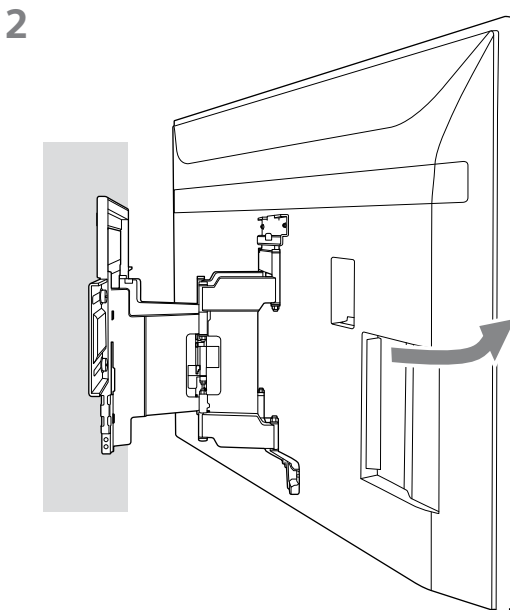
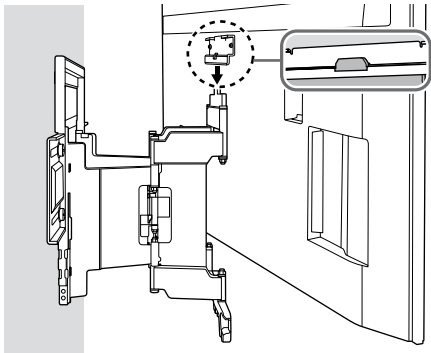
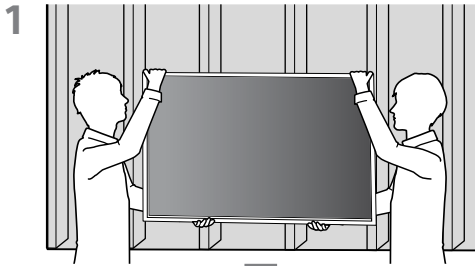
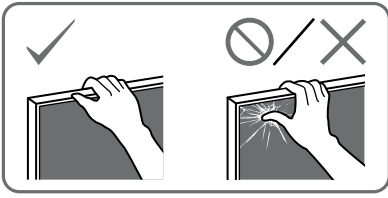


- Ponovite prethodni korak i uklonite drugu stranu postolja za stol.

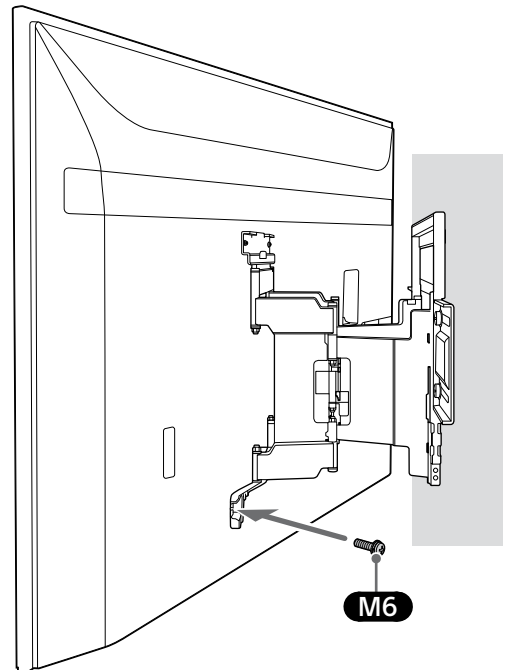
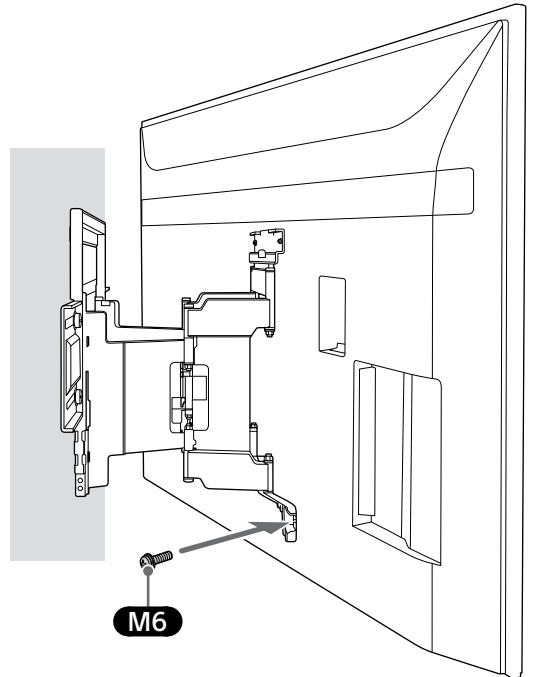
Napomena

- Za odvajanje postolja za stol potrebno je troje ili više ljudi.
- Pazite da ne primjenjujete prekomjernu silu pri odvajanju postolja za stol od TV-a jer to može uzrokovati pad televizora i ozbiljne tjelesne ozljede ili oštećenje TV-a.
- Pažljivo rukujte postoljem za stol kako biste spriječili oštećenje TV-a.
- Pažljivo podižite TV kada je postolje za stol uklonjeno jer bi se postolje za stol moglo prevrnuti i uzrokovati ozljede.
- Pažljivo uklanjajte postolje za stol s TV-a kako ne bi palo i oštetilo površinu na koju je postavljen TV.

Postavljanje televizora na zid

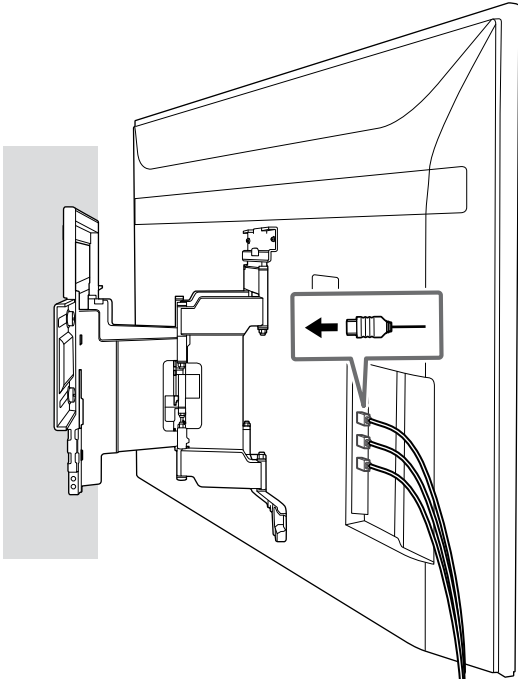


- 3 Zategnite lijevu i desnu stranu nosača za postavljanje na zid.

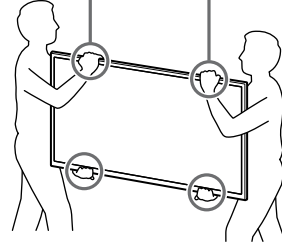


HR

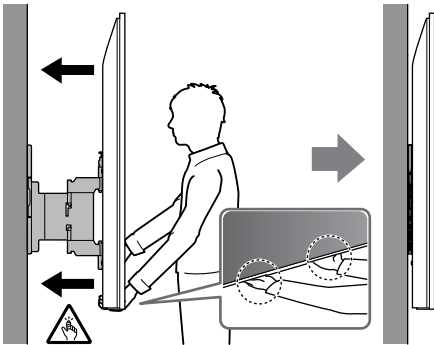
4

**UPOZORENJE**

- Pobrinite se da dvije ili više osoba (tri ili više osoba za televizor veličine 75 inča ili veći) drži TV prilikom njegovog prenošenja.



5 Kada pomičete TV prijemnik, čvrsto ga primite s donje strane.



Potvrda dovršetka postavljanja

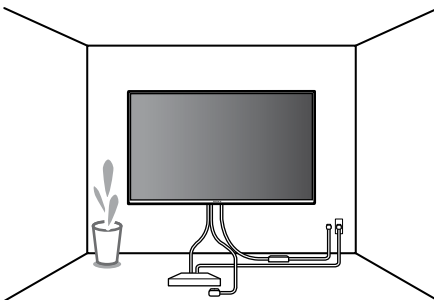
Provjerite sljedeće.

- Uže i kabel nisu uvrnuti ili priklješteni.

UPOZORENJE

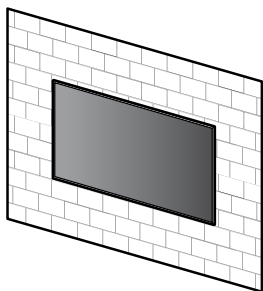
- Nepravilan smještaj kabela za napajanje izmjeničnom strujom može uzrokovati požar ili strujni udar zbog kratkog spoja. Radi sigurnosti svakako potvrdite da ste dovršili postavljanje.

6

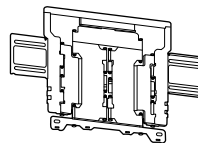


B Pričvršćivanje nosača za postavljanje na zid na puni betonski zid ili betonske blokove

Puni betonski zid ili betonski blokovi



WM1

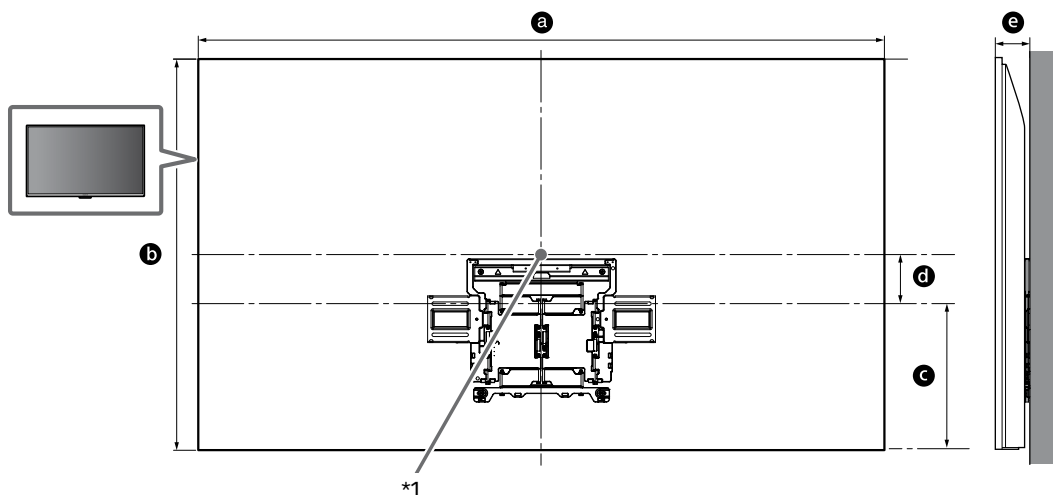


Montaža nosača za postavljanje na zid

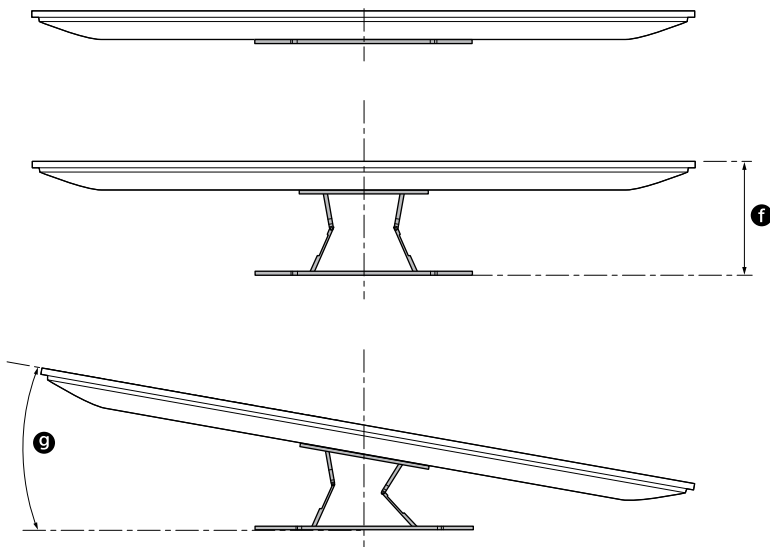
1 Odlučite o mjestu postavljanja.

Provjerite ima li na zidu dovoljno mjesta za TV, te može li nositi najmanje četverostruku težinu TV-a.

Za postavljanje TV-a na zid pogledajte sljedeću tablicu. U Referentnom vodiču svog TV-a potražite težinu TV-a.



HR



(mm)

Naziv modela	a	b	c	d	e	f*2	g*2 (°)
KD-75XH80xx	1.686	969	364	123	86	288	15
KE-75XH80xx							
KD-65XH81xx	1.462	841	365	59	83	287	18
KE-65XH81xx							
KD-65XH80xx							
KE-65XH80xx							
KD-55XH81xx	1.243	718	365	3	83	287	20
KE-55XH81xx							
KD-55XH80xx							
KE-55XH80xx							

Tablica s dimenzijama za postavljanje televizora (mm)

Podaci u tablici mogu neznatno odstupati ovisno o instalaciji.

*1 (Središnja točka zaslona)

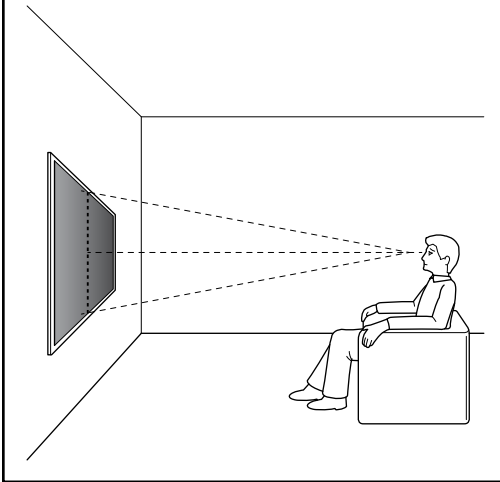
*2 (Približ.)

Napomena

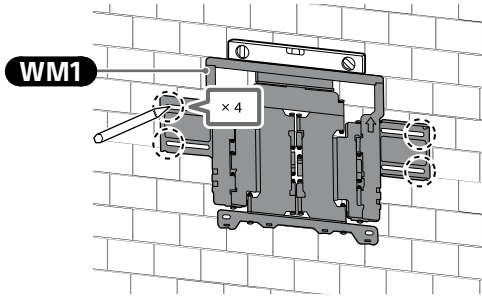
- Kad je Vaš TV postavljen na zid, gornja strana TV-a malo je nagnuta naprijed.

Napomena

- Preporučujemo da provjerite položaj TV prijemnika u okruženju.



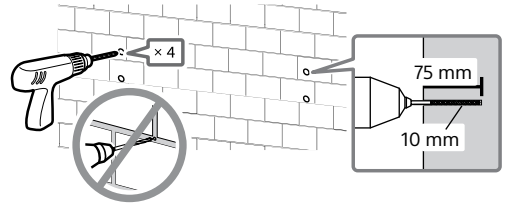
- 2 Poravnajte **WM1** sa zidom i označite četiri rupe.



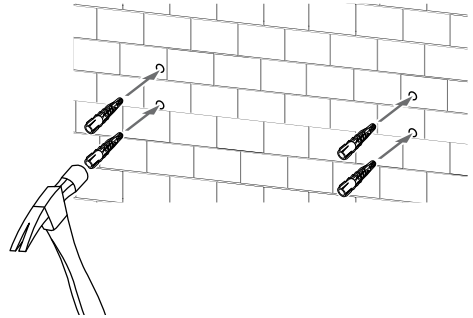
Napomena

- Libelom provjerite je li **WM1** ravan.

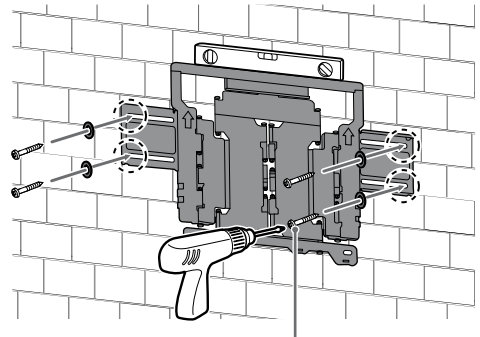
- 3 Izbušite rupice na oznakama.



- 4



- 5 Pričvrstite **WM1** na zid odgovarajućim vijcima (nisu isporučeni u kompletu) i podloškama (nisu isporučene u kompletu).



8 mm × 60 mm

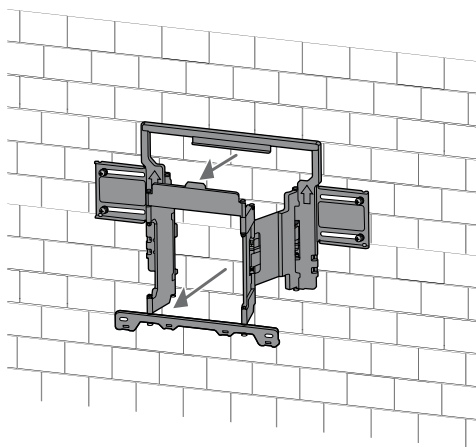
Napomena

- Libelom provjerite je li nosač za postavljanje na zid ravan.

Mjere opreza

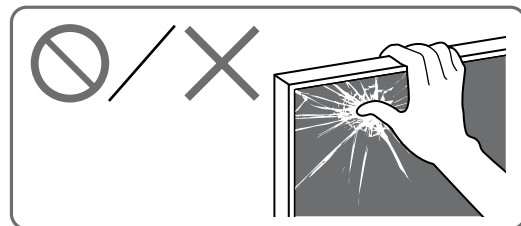
- Ne prezatežite vijke za drvo 8 mm x 60 mm. Neodgovarajuća sila zatezanja može umanjiti nosivost vijka za drvo 8 mm x 60 mm.

6 Razvucite krak nosača do kraja.

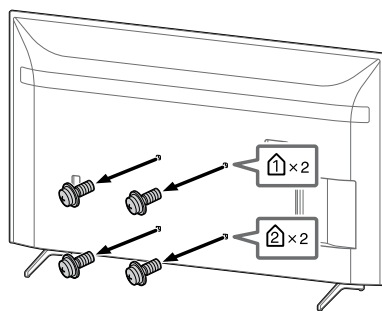


Priprema za postavljanje televizora na zid

Prije instalacije TV-a svakako na njega najprije pričvrstite postolje za stol na način prikazan u Vodiču za postavljanje.



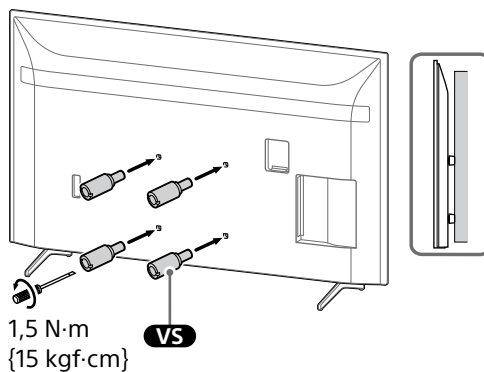
1 Skinite vijke sa stražnje strane TV-a.



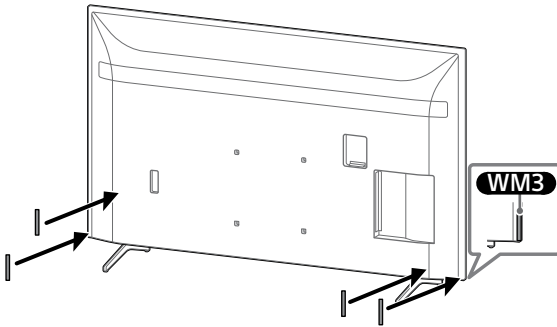
Napomena

- Uklonjene vijke i neiskorištene dijelove spremite na sigurno mjesto, držeći ih dalje od djece.

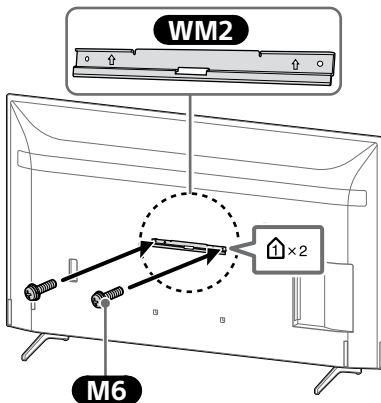
2 Pričvrstite priključak nosača za postavljanje na zid (isporučen uz TV) na stražnju stranu TV-a (kako bi bio paralelan sa zidom).



3 Pričvrstite **WM3**.

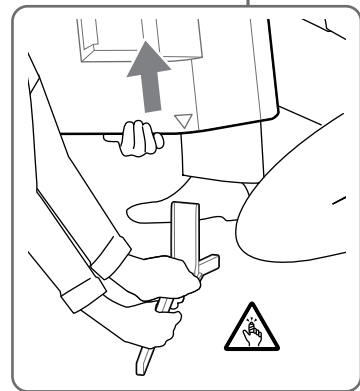
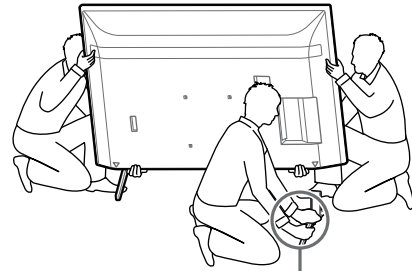


4 Pričvrstite **WM2** na TV pomoću **M6**.



5 Skinite Postolje za stol s TV-a.

- Uklonite jednu po jednu stranu postolja za stol. Čvrsto držite postolje za stol objema rukama dok druge osobe podignu TV.



- Ponovite prethodni korak i uklonite drugu stranu postolja za stol.

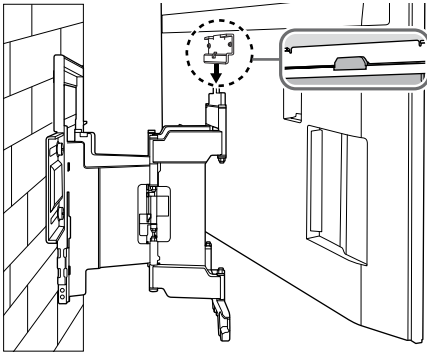
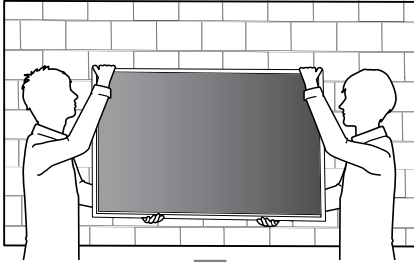
Napomena

- Za odvajanje postolja za stol potrebno je troje ili više ljudi.
- Pazite da ne primjenjujete prekomjernu silu pri odvajanju postolja za stol od TV-a jer to može uzrokovati pad televizora i ozbiljne tjelesne ozljede ili oštećenje TV-a.
- Pažljivo rukujte postoljem za stol kako biste spriječili oštećenje TV-a.
- Pažljivo podižite TV kada je postolje za stol uklonjeno jer bi se postolje za stol moglo prevrnuti i uzrokovati ozljede.
- Pažljivo uklanjajte postolje za stol s TV-a kako ne bi palo i oštetilo površinu na koju je postavljen TV.

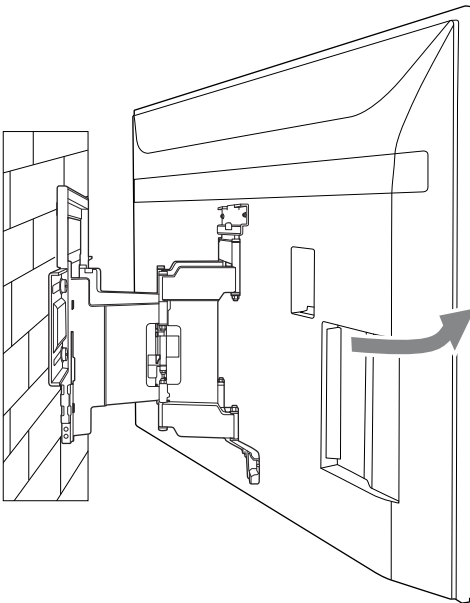
Postavljanje televizora na zid



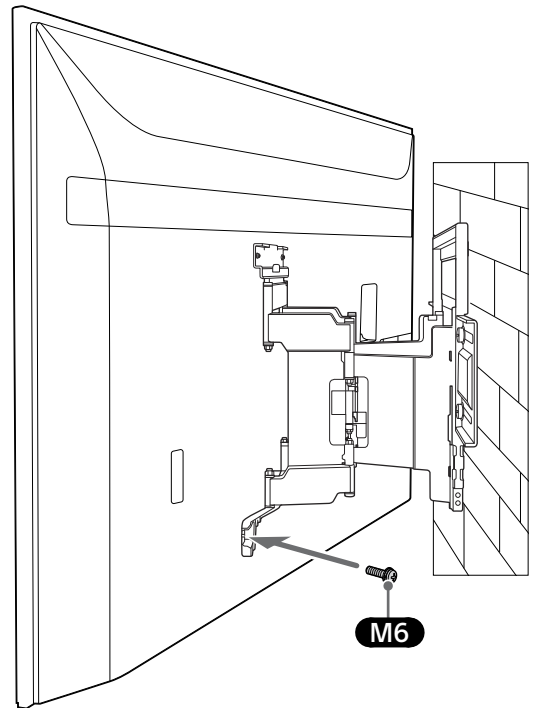
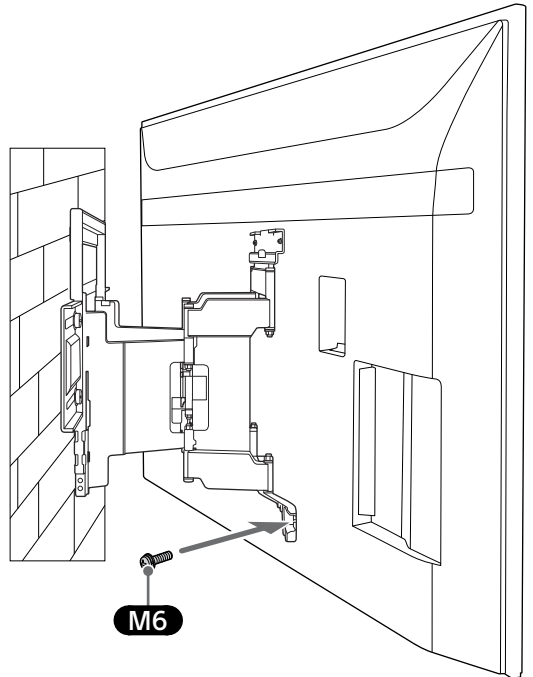
1



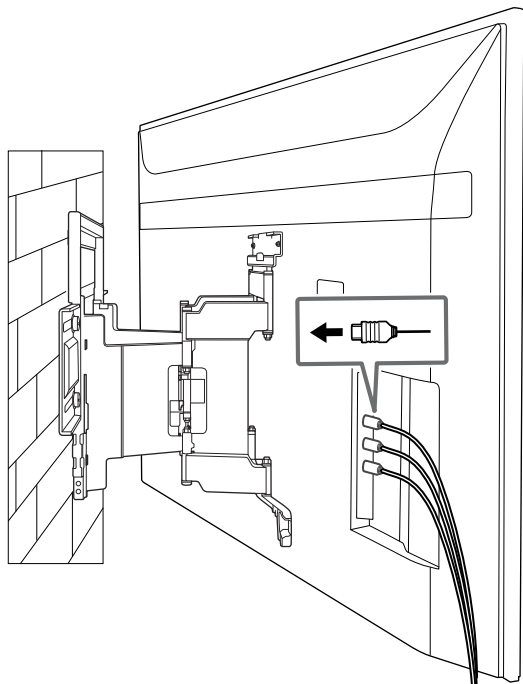
2



3 Zategnite lijevu i desnu stranu nosača za postavljanje na zid.

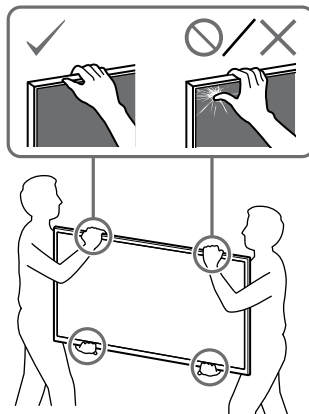


4

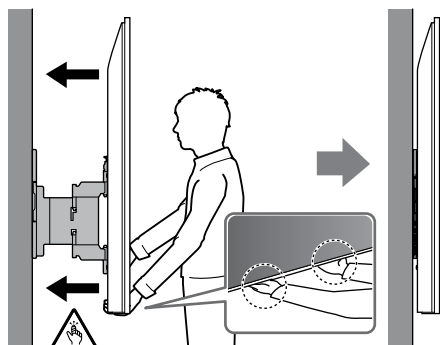


UPOZORENJE

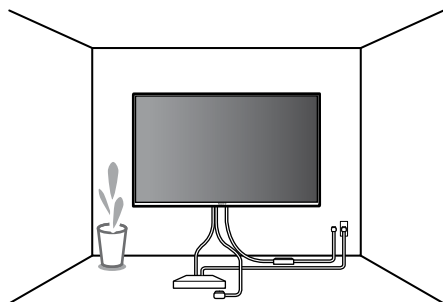
- Pobrinite se da dvije ili više osoba (tri ili više osoba za televizor veličine 75 inča ili veći) drži TV prilikom njegovog prenošenja.



5 Kada pomičete TV prijemnik, čvrsto ga primite s donje strane.



6



Potvrda dovršetka postavljanja

Provjerite sljedeće.

- Uže i kabel nisu uvrnuti ili priklješteni.

UPOZORENJE

- Nepravilan smještaj kabela za napajanje izmjeničnom strujom može uzrokovati požar ili strujni udar zbog kratkog spoja. Radi sigurnosti svakako potvrdite da ste dovršili postavljanje.

Druge informacije

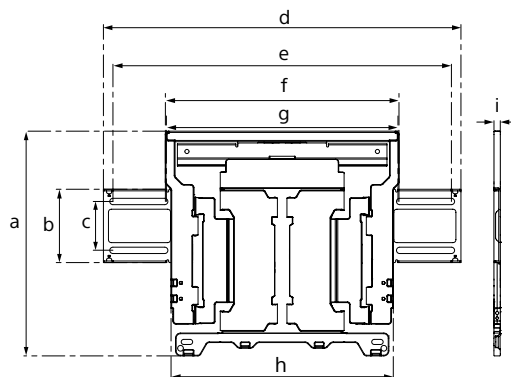
Kada uklanjate televizor, obrnite postupak postavljanja.

UPOZORENJE

- Pobrinite se da dvije ili više osoba (tri ili više osoba za televizor veličine 75 inča ili veći) drži TV prilikom njegovog uklanjanja.

Specifikacije

WM1



Dimenzije: (približ.) [mm]

a : 354
b : 116
c : 77
d : 563
e : 533
f : 370
g : 368
h : 350
i : 11

Težina (samo baza): (približ.) [kg]

3,0

Dizajn i specifikacije podložne su promjenama bez obavijesti.

Sony қабырғаға орнататын кронштейнді (SU-WL850) пайдалану туралы орнату ақпараты

Қолдау көрсетілетін моделдер*:

KD-75XH80xx / 65XH81xx / 65XH80xx / 55XH81xx / 55XH80xx

KE-75XH80xx / 65XH81xx / 65XH80xx / 55XH81xx / 55XH80xx

* Нақты модель атауындағы «xx» белгісі әрбір арнайы модель үшін сандарды және/немесе таңбаларды көрсетеді.

Тұтынушыларға

Өнім қорғанысы және қауіпсіздік себептері үшін Sony компаниясы ТД-ды орнату Sony дилерлері немесе лицензияланған мердігерлер тарапынан орындалуын қатаң ұсынады. Оны өзіңіз орнатуға әрекет етпеңіз.

Sony дилерлері мен мердігерлеріне

Бұл өнімді орнату, мерзімді түрде техникалық қызмет көрсету және тексеру барысында қауіпсіздікке толық назар аударыңыз.

Бұл өнімді орнату үшін, әсіресе ТД ауырлығын көтеріп тұру үшін қабырғаның бекемдігін анықтау үшін тиісті сараптама жасау керек. Бұл өнімді қабырғаға бекітуді Sony дилерлеріне немесе лицензияланған мердігерлерге тапсырыңыз және орнату барысында қауіпсіздікке тиісті назар аударыңыз. Қате қолдану немесе қате орнату арқылы кез келген зақым немесе жарақат үшін Sony компаниясы жауапты емес.

Қауіпсіздік және дұрыс орнату үшін қабырғаға бекітілетін кронштейн пайдалану нұсқауларын, ТД орнату нұсқаулығын және осы нұсқаулықтағы нұсқауларды орындаңыз.

Қабырғаға орнататын кронштейн

Қауіпсіздік туралы

Осы өнімді сатып алғаныңыз үшін рақмет.

Тұтынушыларға

Теледидарды қабырғаға бекіту



ЕСКЕРТУ

КӘСІБИ ТҮРДЕ ОРНАТЫЛУЫ КЕРЕК

Бұл өнімді тек қабырғаның теледидар салмағына шыдамдылығын анықтауға жаттықтырылған кәсіби орнатқыш орнатуы керек. Егер орнату барысында дұрыс бекітілмесе, теледидар құлап, едәуір жарақаттауы мүмкін. Соны компаниясы дұрыс пайдаланбау, дұрыс орнатпау немесе көрсетілген өнімнен басқасын пайдалану салдарынан туындайтын кез келген зақым немесе жарақат үшін жауапты болмайды. Заңды құқығыңыз (қандай да бір) жарамайды.

Соны дилерлері үшін

Осы құрылғыны орнатуға жеткілікті түрде тәжірибе қажет. Орнату жұмыстарын қауіпсіз түрде орындау үшін осы нұсқаулықты толық оқып шығыңыз. Соны дұрыс қолданбау немесе дұрыс орнатпау салдарынан болған зақымдарға немесе жарақатқа жауапты емес. Орнатқаннан кейін тұтынушыға осы нұсқаулықты беріңіз.

Осы пайдалану нұсқаулығы өнімнің дұрыс қолданылуын және зақымды болдырмауға қажетті алдын алу шараларын көрсетеді. Осы нұсқаулықтағы барлық нұсқауларды оқу, мұқият түсіну және орындау сіздің жауапкершілігіңізде. Олай істемеу едәуір адам жарақатына немесе мүлік зақымына және кепілдіктің күшінің жойылуына себеп болуы мүмкін. Болашақта ақпарат алу үшін осы нұсқаулықты қолжетімді жерде сақтаңыз.

Соны өнімдері қауіпсіздікті ескере отырып жасалған. Өнімдер дұрыс қолданылмаса, өрт, ток соғу, өнімнің құлауы немесе оны лақтыру салдарынан ауыр жарақатқа әкелуі мүмкін. Осындай жағдайлардың алдын алу үшін алдын алу шараларын қараңыз.

Өнімнің күні мен штрих-кодында штрих-код таңбасының коды келесі форматта көрсетіледі: ЖЖЖЖ / ММ, мұнда ЖЖЖЖ - жыл ММ - өндіріс мезгілі.

Қазақстан жеріндегі тұтынушылардың шағым-талаптарын қабылдауға уәкілетті ұйым «Сони Электроникс» АҚ Қазақстандағы Өкілдігі, 050010, Қазақстан Республикасы, Алматы қ., Достық даңғылы, 117/7 үй

Өндіруші: Сони Корпорейшн

Өндіруші мекенжайы: 1-7-1 Конан Минато-ку Токио, 108-0075 Жапония

Кеден одағы жеріндегі шетелден әкелуші «Сони Электроникс» АҚ, Ресей, 123103, Мәскеу, Карамышевский өтпе көшесі, 6

Қытайда жасалған

АБАЙ БОЛЫҢЫЗ!

Арнайы құрылғылар

Қабырғаға бекіту кронштейні теледидарға арналған құрылғылармен бірге қолдану үшін жасалған. Теледидарлар үшін қабырғаға орнатылатын кронштейнді пайдалануға болатынын не болмайтынын «Анықтама нұсқаулығы» ішінен қараңыз.

Тұтынушыларға

ЕСКЕРТУ

Осы алдын алу шаралары сақталмаса, өрт, ток соғу немесе құрылғының құлауы салдарынан ауыр жарақатқа немесе өлімге әкелуі мүмкін.

Орнату жұмыстарын лицензиясы бар мердігерлер жасауы керек және құрылғыны орнату кезінде кішкентай балаларды алыс ұстаңыз.

Қабырғаға бекіту кронштейні немесе теледидар дұрыс орнатылмаса, келесі жағдайлар болуы мүмкін. Лицензиясы бар мердігерлер орнату жұмыстарын жүргізе алатындығына көз жеткізіңіз.

- Теледидар құлап, дененің көгеруі немесе сынық секілді ауыр жарақаттарға әкелуі мүмкін.
- Қабырғаға бекіту кронштейні орнатылатын қабырға тұрақсыз, қисық болса немесе еденге перпендикуляр болмаса, құрал құлап, жарақатқа не мүліктің зақымдануына әкелуі мүмкін. Қабырға кемінде осындай алты теледидардың салмағын көтере алатындай болуы керек. (Теледидардың салмағын «Анықтама нұсқаулығы» ішінен көріңіз.)
- Қабырғаға бекіту кронштейні қабырғаға берік бекітілмесе, құрал құлап, жарақатқа немесе мүліктің зақымдануына әкелуі мүмкін.

Балалар үшін

- Балаларға теледидар үстіне шығуға рұқсат бермеңіз.
- Ұсақ жабдықтарын балалардан аулақ ұстаңыз, жұтып қоймасын.

Теледидарды тасымалдау немесе бөлшектеу жұмыстарын лицензиясы бар мердігерлер жасауы керек.

Лицензия бар мердігерлерден басқа адамдар теледидарды тасымалдаса немесе бөлшектесе, ол құлап, жарақатқа немесе мүліктің зақымдануына әкелуі мүмкін. Теледидарды екі немесе одан көп адам (75 дюймді және одан үлкен теледидар жинағы үшін үш немесе одан көп адам) тасымалдауға немесе шешуге мүмкіндіктері жететіндігін тексеріңіз.

Теледидарды бекіткеннен кейін бұрандаларды және т.б. босатпаңыз.

Егер солай істейтін болсаңыз, теледидар құлауы немесе мүліктің зақымдануы мүмкін.

Қабырғаға бекіту кронштейнінің бөлшектерін ауыстырмаңыз.

Егер солай істейтін болсаңыз, қабырғаға бекіту кронштейні құлауы немесе мүліктің зақымдануы мүмкін.

Арнайы құрылғыдан басқа құралды бекітпеңіз.

Осы қабырғаға бекіту кронштейні тек арнайы құрылғылармен бірге қолдану үшін жасалған. Арнайы құрылғыдан бөлек құралды бекітсеңіз, ол құлап не сынып, жарақатқа не мүліктің зақымдануына әкелуі мүмкін.

Қабырғаға бекіту кронштейніне теледидардан басқа затты қолданбаңыз. Теледидарды солға/оңға, жоғары/төмен шайқамаңыз.

Егер солай істейтін болсаңыз, теледидар құлауы немесе мүліктің зақымдануы мүмкін.

Теледидарға сүйенбеңіз немесе асылып тұрмаңыз.

Теледидарға сүйенсеңіз не асылып тұрсаңыз, ол сізге құлап, ауыр жарақат алуыңыз мүмкін.

KZ

АБАЙ БОЛЫҢЫЗ!

Осы алдын алу шаралары сақталмаса, жарақат алуыңыз немесе мүлік зақымдануы мүмкін.

- Қабырғаға орнатылатын кронштейнді қолдану немесе теледидарды бұру кезінде саусақтарыңыз қысылып қалмасын.
- ТД жинағын бұрғанда, оны абайлап ұстаңыз және жақын маңдағы адамдарға тиіп кетпеуін қадағалаңыз.
- Пайдаланылмаған бөліктерді болашақта пайдалану үшін қауіпсіз жерге сақтап қойыңыз. Оларды балалардан аулақ ұстаңыз.

Құрылғыны тазалау не оған күтім жасау кезінде қатты күш салмаңыз.

Теледидардың жоғарғы бөлігіне қатты күш салмаңыз. Егер солай істейтін болсаңыз, теледидар құлауы немесе мүліктің зақымдануы мүмкін.

Алдын алу шаралары

- Қабырғаға бекіту кронштейніне орнатылған теледидарды ұзақ уақыт бойы пайдалансаңыз, қабырғаның материалына байланысты теледидар артындағы не үстіндегі түс өзгеруі немесе тұсқағаздың түсі кетуі мүмкін.
- Қабырғаға бекіту кронштейнін орнатқаннан кейін қайта алсаңыз, қабырғада бұранда саңылаулары қалады.
- Қабырғаға бекіту кронштейнін механикалық тербеліс әсер ететін орында пайдаланбаңыз.

Қабырғаға бекіту кронштейнін орнату

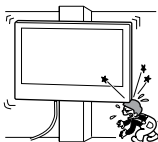
Sony дилерлері үшін

ЕСКЕРТУ

Келесі нұсқаулар тек Sony дилерлеріне арналған. Жоғарыда берілген алдын алу шараларын оқып шығыңыз және осы құрылғыны орнату, оған күтім жасау, оны тексеру кезінде аса назар аударыңыз.

Қабырғаға бекіту кронштейнін теледидардың бұрыштары не қапталы қабырға бетінен шығып тұратын орындарға орнатпаңыз.

Қабырғаға бекіту кронштейнін теледидардың бұрыштары не қапталы қабырға бетінен шығып тұратын баған секілді орындарға орнатпаңыз. Адам немесе басқа зат теледидардың шығып тұған бұрышына не қапталына соқса, ол жарақат алуы немесе мүлік зақымдануы мүмкін.

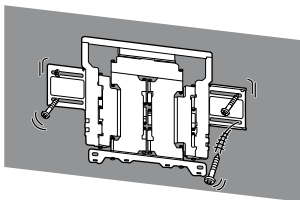


Теледидардың салқындатқыштың үстіне не астына орнатпаңыз.

Теледидарға салқындатқыштан ұзақ уақыт бойы су тамшылары ақса не салқын ауа соқса, ол өртке, ток соғуға немесе теледидардың дұрыс жұмыс істемеуіне әкелуі мүмкін.

Қабырғаға бекіту кронштейнін осы пайдалану нұсқаулығына сүйене отырып мықтап бекітіңіз.

Бұрандалардың бірі жоғалып не түсіп қалған болса, қабырғаға бекіту кронштейні құлап, жарақатқа немесе мүліктің зақымдануына әкелуі мүмкін. Қабырға материалына жарайтын бұрандаларды пайдаланыңыз және диаметрі 8 мм-лік (немесе соған шамалас) төрт бұранданың көмегімен құрылғыны мықтап орнатыңыз.



Берілген бұрандалар мен бекіту бөлшектерін осы нұсқаулықтағы нұсқауларға сүйене отырып дұрыс пайдаланыңыз. Қосалқы элементтерді пайдалансаңыз, теледидар құлап, біреуге дене жарақатын салуы немесе теледидарды зақымдауы мүмкін.

Нұсқаулықта берілген процедураларға сүйене отырып кронштейнді дұрыстап құрастырыңыз.

Бұрандалардың бірі жоғалса немесе түсіп қалған болса, теледидар құлап, біреуге дене жарақатын салуы немесе теледидарды зақымдауы мүмкін.

Бұрандалар көрсетілген орында мықтап бекітілуі керек.

Осылай орындалмаса, теледидар құлап, біреуге дене жарақатын салуы немесе теледидарды зақымдауы мүмкін.

Орнату кезінде теледидарды соғып алмаңыз.

Теледидарды соғып алсаңыз, ол құлауы немесе сынуы мүмкін. Бұдан жарақат алуыңыз мүмкін.

Теледидарды қабырға мен еденге перпендикуляр болатындай етіп орнату керек.

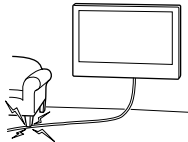
Егер солай болмаса, теледидар құлауы немесе жарақат алуыңыз мүмкін.

Теледидар дұрыс орнатылғаннан кейін кабельдерді дұрыс бекітіңіз.

Адамдар немесе басқа заттар кабельге оралатын болса, жарақатқа не теледидардың зақымдануына әкелуі мүмкін.

Айнымалы ток сымы немесе қосу кабелі қысылып қалмауы керек.

Айнымалы ток сымы немесе қосу кабелі құрал мен қабырға арасында қысылып қалса, майысқан немесе күштеп оралған болса, ішкі бағыттағыштар зақымданып, қысқа тұйықталуға немесе электр көзінің үзілуіне себеп болуы мүмкін. Бұл өрттің пайда болуына немесе ток соғуға әкелуі мүмкін.



Кронштейнді қабырғаға бекітуге қажетті бұрандалар берілмеген.

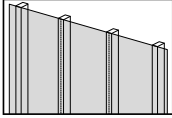
Қабырғаға бекіту кронштейнін бекіту кезінде қабырғаның материалы мен құрылымына сай бұрандаларды пайдаланыңыз.

Іске кіріспес бұрын

Алдымен теледидар орнатылатын қабырғаның түрін тексеріңіз.

Қабырға неден жасалған?

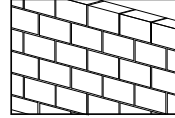
Профильдерге бекітілген гипсокартон



Алдын алу шаралары

- Гипсокартонның максималды қалыңдығы: 16 мм.
- Ішкі ағаш профильдің қалыңдығы жалпы орнату үшін 51 x 102 мм, ал шартты орнату үшін 38 x 89 мм екеніне көз жеткізіңіз.
- Бекіткіштер арасында кемінде 406 мм көлденең бос орын қалуы керек.

Қатты бетон немесе бетон блок



Алдын алу шаралары

- Қабырғаға орнататын кронштейнді қатты бетон қабырғаға тікелей орнатыңыз.
- Қатты бетон қабырғаның қалыңдығы кемінде 203 мм екеніне көз жеткізіңіз.
- Әрбір бетон блоктың өлшемі кемінде 203 x 203 x 406 мм екеніне көз жеткізіңіз.

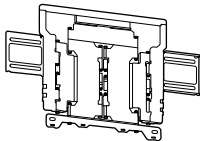

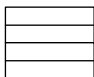

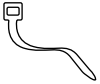
Орнатуға дайындық

- Орнату алдында ТД анықтамалық нұсқаулығын және орнату нұсқаулығын алыңыз.
- Теледидар бекітілетін орынды анықтаңыз.
- Диаметрі 8 мм төрт бұранданы және сәйкес төрт шайбаны дайындаңыз (жинаққа кірмейді).
Қабырғаның материалына сай келетін бұрандаларды таңдаңыз.

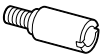
Бөлшектерді тексеру

SU-WL850 құрылғысымен беріледі

- Барлық бөлшектердің бар екендігін тексеріңіз.



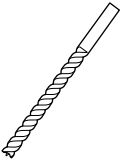
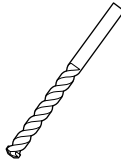
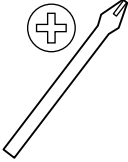




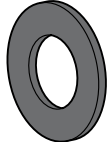

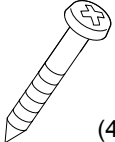
А WM1 (1) 	В WM2 (1) 
С WM3 (4) 	Д M6 (4) 
Е WT1 (6) 	

Теледидармен беріледі

VS Қабырғаға орнататын тіркеме (4) 
--



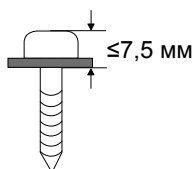
Қажетті құралдар

*1 		 5,5 мм	 10 мм 
*2 		 1.5 Н·м {15 кгк·см}	
*3  (4)	*2  (4)	*3  (4) 8 мм x 60 мм	

*1 Тек профильдерге орнатылған гипсокартонға арналған

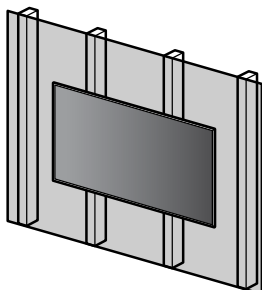
*2 Тек қатты бетонға немесе бетон блокқа арналған

*3 Бұрандалар мен шайбаларды таңдаған кезде абай болыңыз

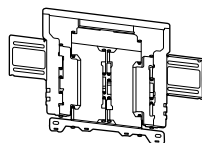


А Теледидарды профильдерге орнатылған гипсокартон қабырғаға бекіту

Профильдерге бекітілген гипсокартон



WM1

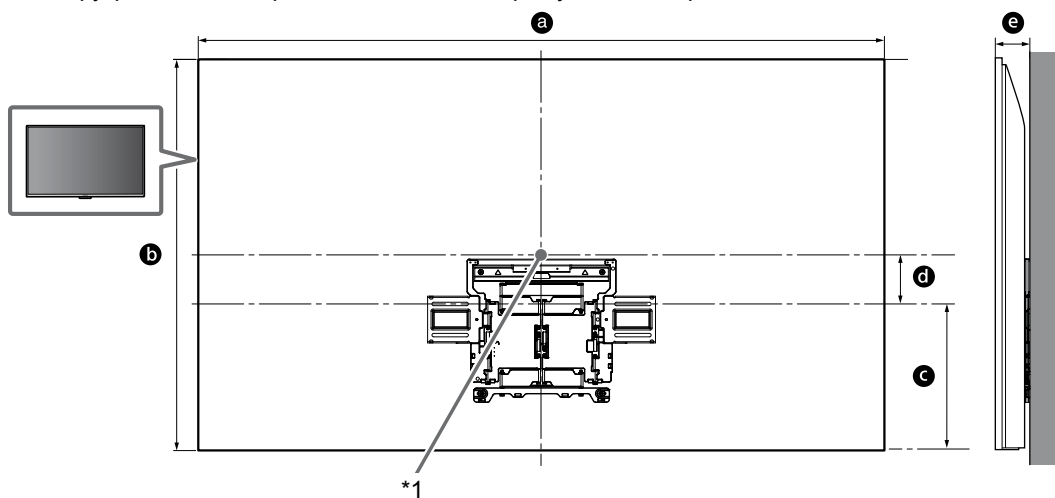


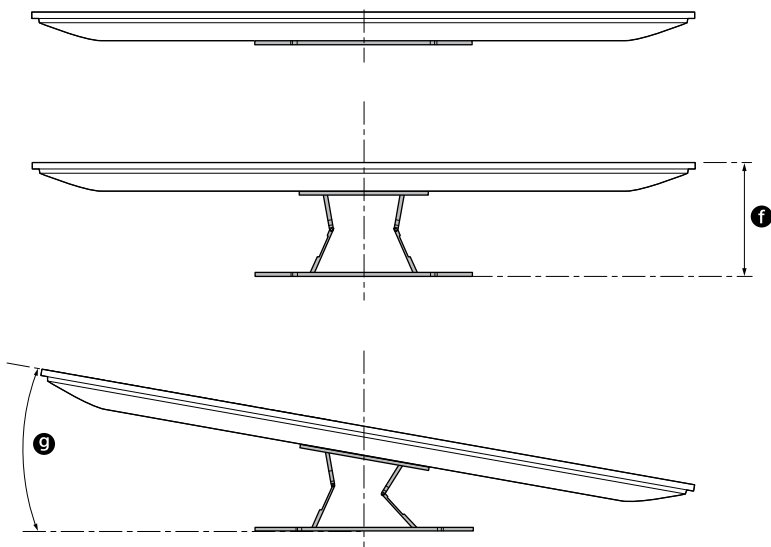
Қабырғаға орнатылатын кронштейнді қабырғаға орнату

1 Орнатылатын орынды анықтаңыз.

Қабырғада ТД үшін жеткілікті орын бар екенін және ТД-дың кемінде төрт есе ауырлығын көтере алатындаған тексеріңіз.

Теледидарды қабырғаға орнату туралы келесі кестені қараңыз. Теледидардың салмағын тексеру үшін теледидардың Анықтамалық нұсқау бөлімін қараңыз.





(мм)

Үлгі нөмірі	a	b	c	d	e	f*2	g*2 (°)
KD-75XH80xx	1686	969	364	123	86	288	15
KE-75XH80xx							
KD-65XH81xx	1462	841	365	59	83	287	18
KE-65XH81xx							
KD-65XH80xx							
KE-65XH80xx							
KD-55XH81xx	1243	718	365	3	83	287	20
KE-55XH81xx							
KD-55XH80xx							
KE-55XH80xx							

TV орнатылатын өлшемдер кестесі (мм)

Кестедегі деректер орнатуға байланысты аздап өзгешеленуі мүмкін.

*1 (Экран ортасының нүктесі)

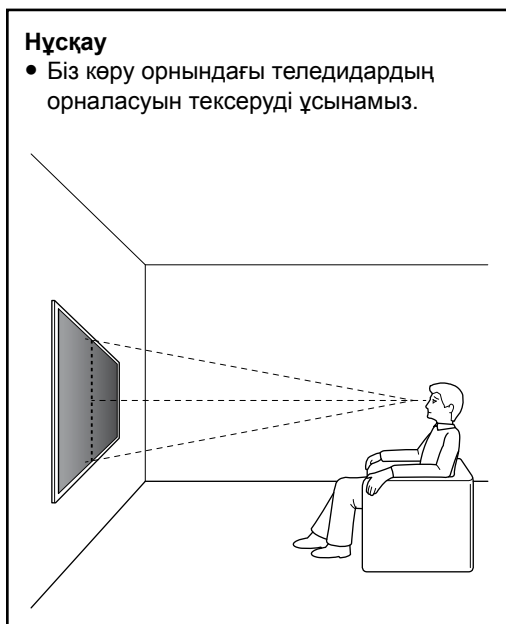
*2 (Шамамен)

Нұсқау

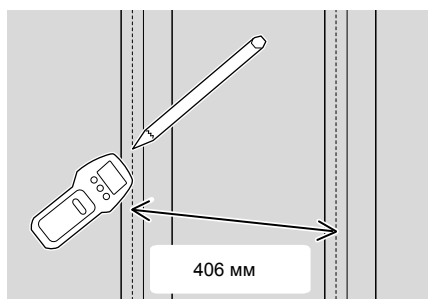
- ТД қабырғаға орнатылғанда ТД жоғарғы бөлігі аздап алға еңкейеді.

Нұсқау

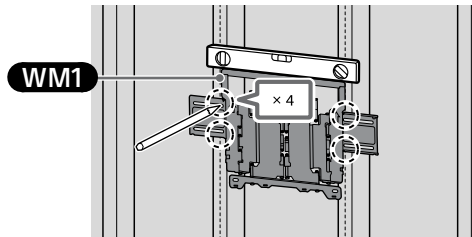
- Біз көру орнындағы теледидардың орналасуын тексеруді ұсынамыз.



2



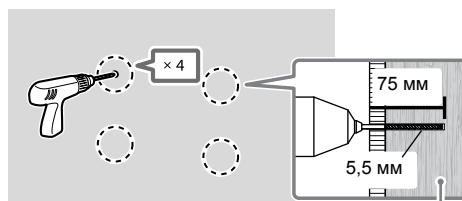
- 3 **WM1** құралын қабырғаға туралап, профильдерге тураланған төрт белгі жасаңыз.



Нұсқау

- **WM1** деңгейін тексеру үшін деңгей тексеру құралын пайдаланыңыз.

- 4 Белгіленген жерлерге жоғарғы бекіту тесіктерін тесіңіз.

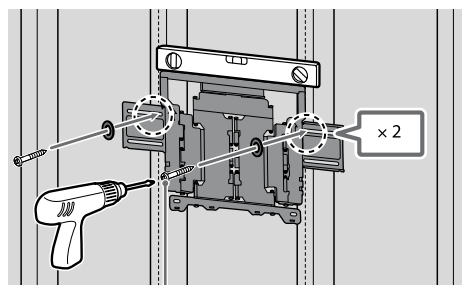


Профиль немесе арматура

Нұсқау

- Орнату тесіктері 75 мм тереңдікте, диаметрі 5,5 мм бұрғы ұшымен тесілуі керек.

- 5 **WM1** құралын қабырғаға сәйкес келетін бұрандалармен (жинаққа кірмейді) және шайбалармен (жинаққа кірмейді) орнатыңыз.



8 мм × 60 мм

Нұсқау

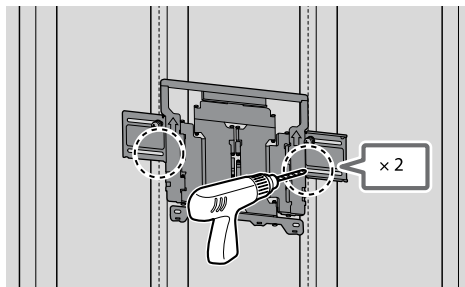
- **WM1** деңгейін тексеру үшін деңгей тексеру құралын пайдаланыңыз.

Сақтық шарасы

- 8 мм × 60 мм ағаш бұранданы шамадан тыс тартпаңыз. Дұрыс тартпасаңыз 8 мм × 60 мм ағаш бұранда ұстамауы мүмкін.

KZ

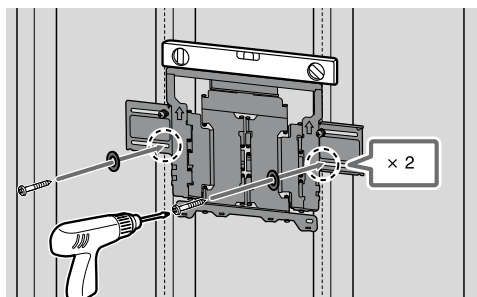
- 6** Белгіленген жерлерге төменгі бекіту тесіктерін тесіңіз. (Бұрғылау нұсқауларын 4-қадамнан көріңіз.)



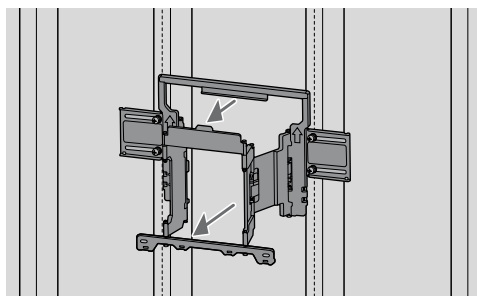
- 7** Тесіктерге сәйкес бұрандалар мен шайбаларды салыңыз.

Нұсқау

- Қабырғаға орнатылатын кронштейннің деңгейін тексеру үшін деңгей тексеру құралын пайдаланыңыз.

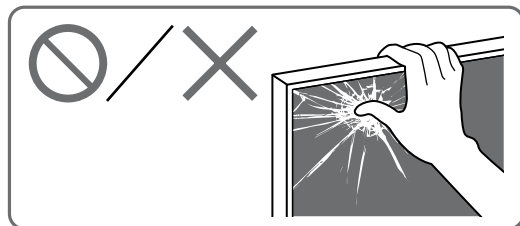


- 8** Кронштейннің қолын шетке қарай тартып жылжытыңыз.

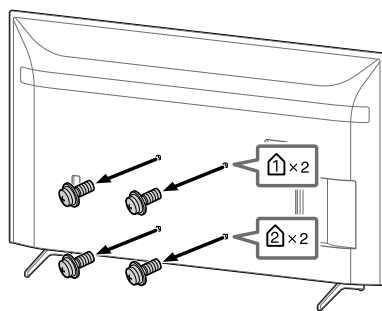


Теледидарды орнатуға дайындау

Орнату нұсқаулығына сәйкес теледидарды қабырғаға орнату алдында үстел тұғырын міндетті түрде тіркеңіз.



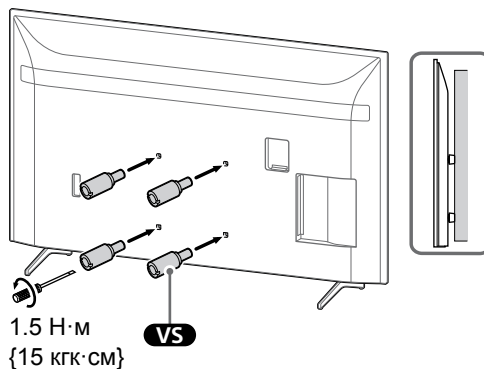
- 1** Теледидардың артындағы бұрандаларды алып тастаңыз.



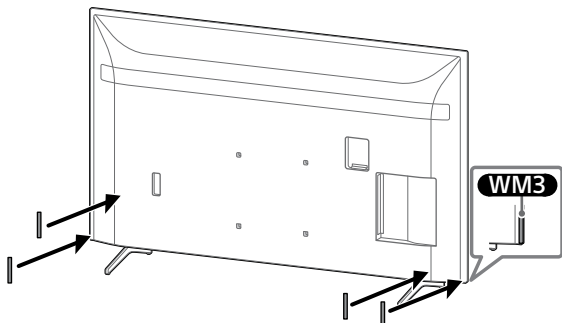
Нұсқау

- Алынған бұрандаларды және пайдаланылмаған бөлшектерді қауіпсіз жерде, балалардан аулақ ұстаңыз.

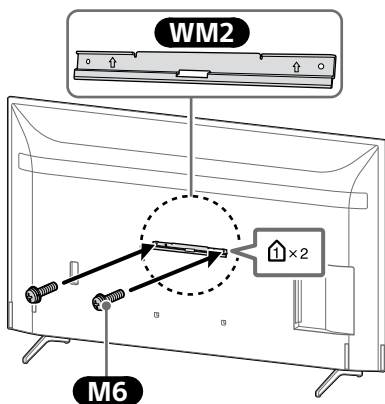
- 2** Қабырғаға орнататын тіркемені (ТД бірге берілген) ТД артқы жағына (қабырғаға параллель болатындай) бекітіңіз.



3 WM3 бөлігін бекітіңіз.

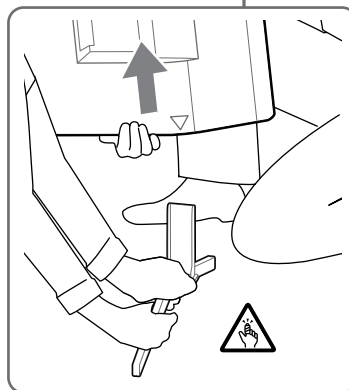
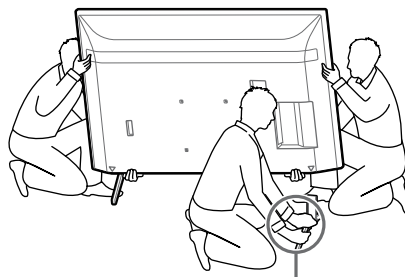


4 WM2 құралын теледидарға M6 арқылы бекітіңіз.



5 ТД-дан Үстел тұғырын ажыратыңыз.

- Үстелдің үстіңгі тақтайының бір жақ бағанасын бірден алып тастаңыз. Басқа адамдар теледидарды көтергенше үстелдің үстіңгі тақтайының бағанасын қатты ұстаңыз.

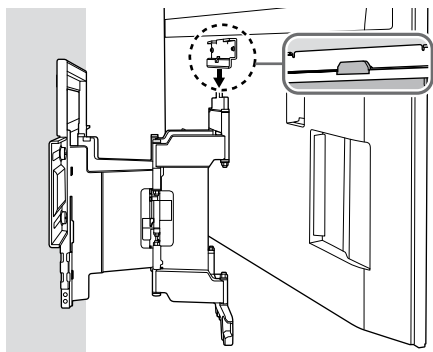
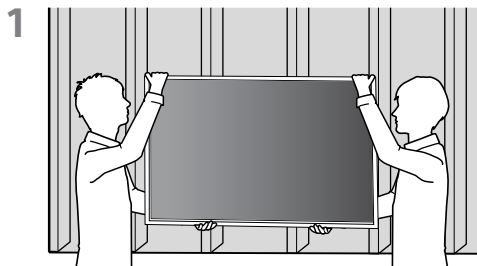


- Алдыңғы қадамды қайталаңыз және үстелдің үстіңгі тақтайының екінші жақ бағанасын алып тастаңыз.

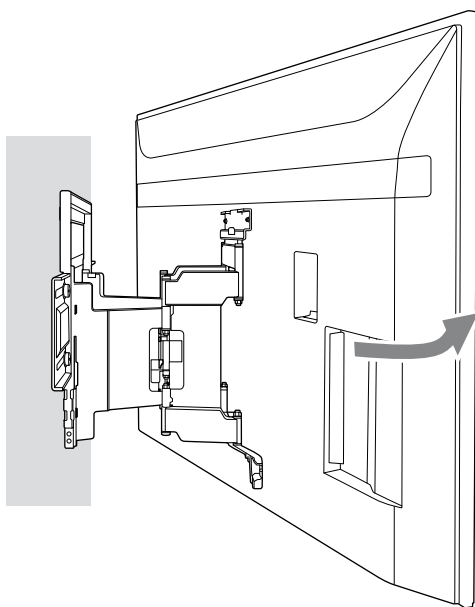
Нұсқау

- Үстел тұғырын шешу үшін үш не одан көп адам қажет болады.
- Үстел тұғырын теледидардан шешкен кезде шамадан көп күш салмауға тырысыңыз, себебі бұл теледидардың құлап, дене жарақатына немесе теледидардың физикалық зақымына әкелуі мүмкін.
- Теледидардың зақымдалуын болдырмау үшін үстел тұғырын абайлап қолданыңыз.
- Теледидарды көтергенде абай болыңыз, өйткені үстел тұғыры ажыратылып, жарамсыздыққа ұшырауы мүмкін.
- Теледидардан үстел тұғырын алу кезінде құлатып алудан және теледидар орнатылған бетке зақым келтіруден сақтық шараларын қолға алыңыз.

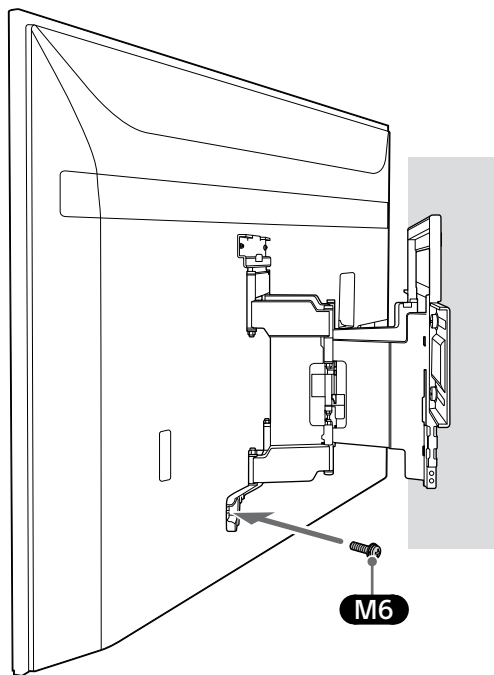
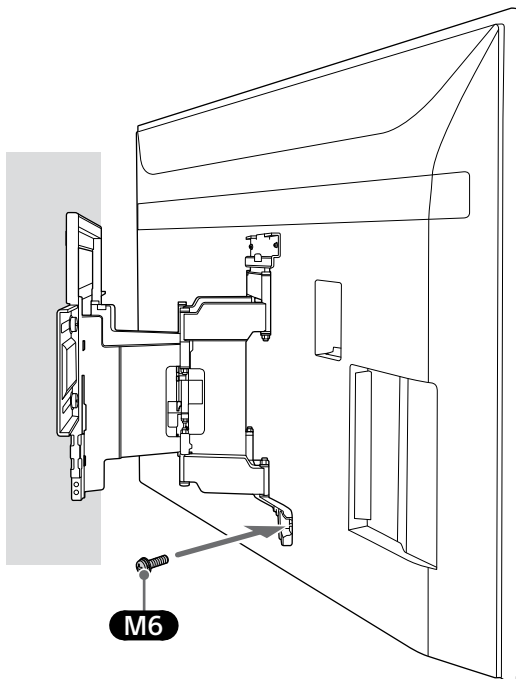
Қабырғаға теледидарды орнату



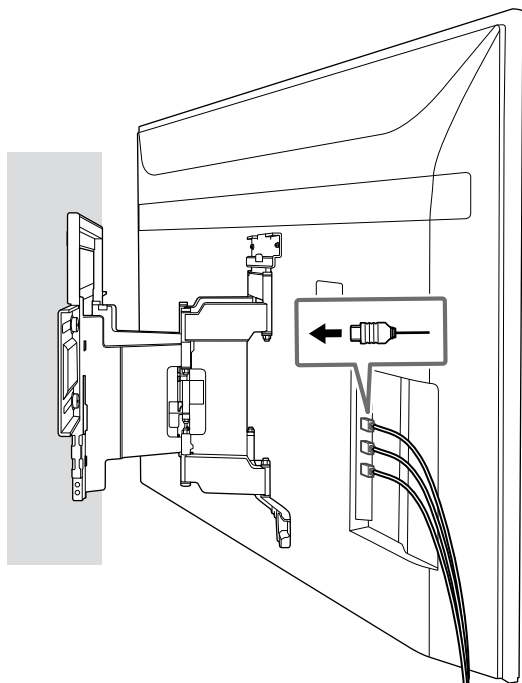
2



3 Қабырғаға орнататын кронштейннің сол және оң жағын бұраңыз.

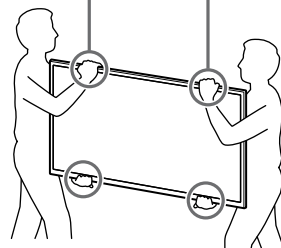


4

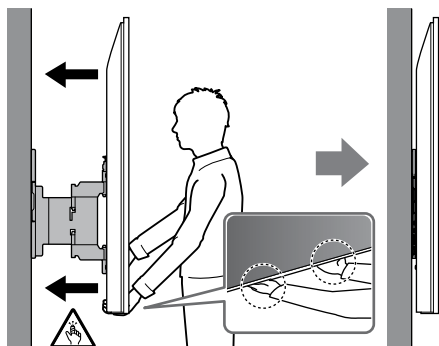


ЕСКЕРТУ

- Теледидарды тасымалдау кезінде екі немесе одан көп адам (75 дюймді және одан үлкен теледидар жинағы үшін үш немесе одан көп адам) ұстағанын тексеріңіз.



5 Теледидарды жылжытқан кезде, оны төменгі жағынан мықтап ұстаңыз.



Орнатудың аяқталғандығын тексеру

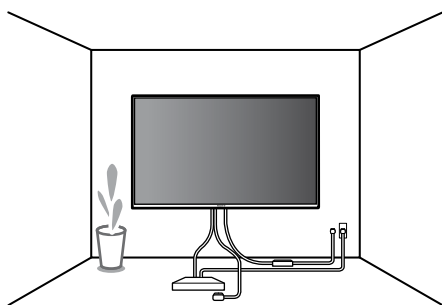
Келесілерді тексеріңіз.

- Сым мен кабель оралмаған немесе қысылмаған.

ЕСКЕРТУ

- Айнымалы ток сымның немесе т.б. қате орналасуы қысқа тұйықталу салдарынан өрттің пайда болуына немесе ток соғу қаупіне әкелуі мүмкін. Орнату жұмыстарының қауіпсіздік талаптарына сай орындалғанына көз жеткізіңіз.

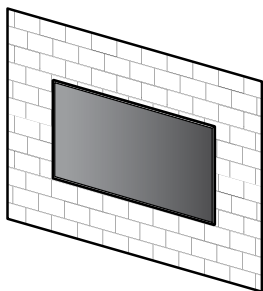
6



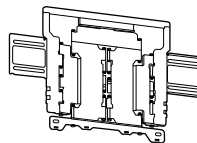
KZ

В Қабырғаға орнататын кронштейнді қатты бетонға немесе бетон блокқа бекіту

Қатты бетон немесе бетон блок



WM1

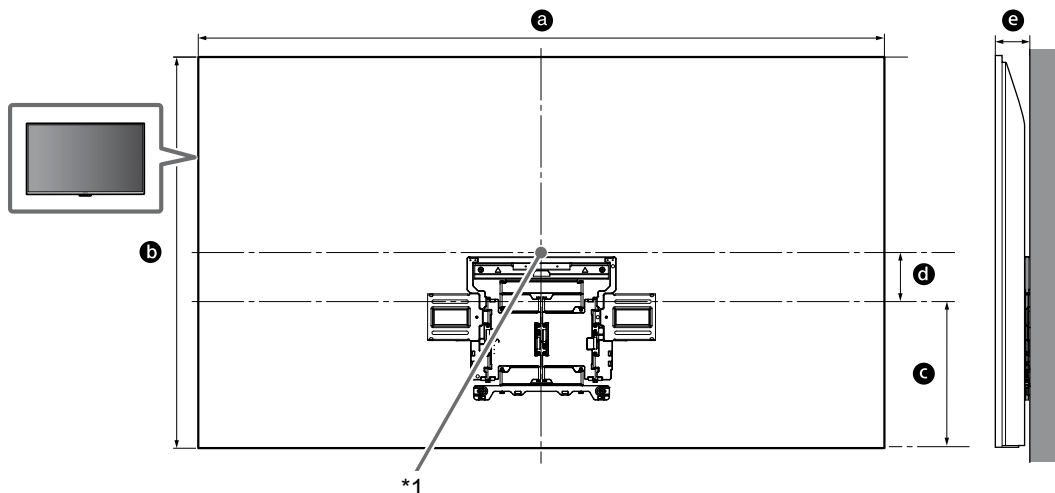


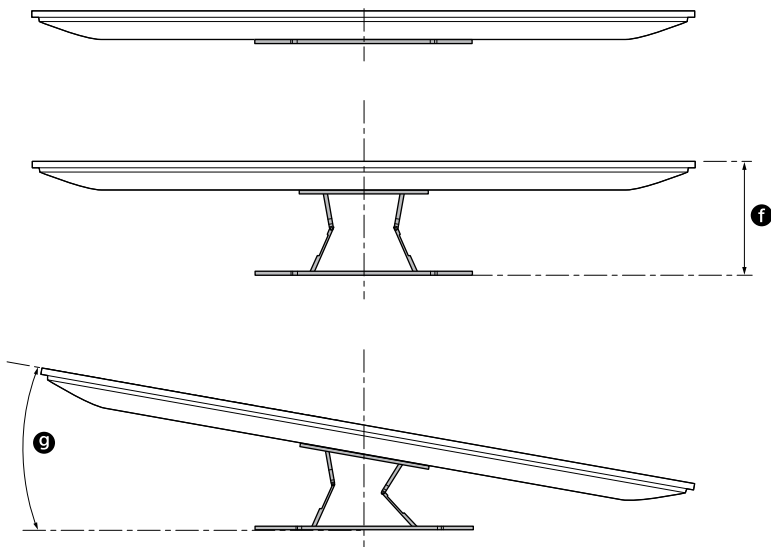
Қабырғаға орнатылатын кронштейнді қабырғаға орнату

1 Орнатылатын орынды анықтаңыз.

Қабырғада ТД үшін жеткілікті орын бар екенін және ТД-дың кемінде төрт есе ауырлығын көтере алатындаған тексеріңіз.

Теледидарды қабырғаға орнату туралы келесі кестені қараңыз. Теледидардың салмағын тексеру үшін теледидардың Анықтамалық нұсқау бөлімін қараңыз.





(мм)

Үлгі нөмірі	a	b	c	d	e	f*2	g*2 (°)
KD-75XH80xx	1686	969	364	123	86	288	15
KE-75XH80xx							
KD-65XH81xx	1462	841	365	59	83	287	18
KE-65XH81xx							
KD-65XH80xx							
KE-65XH80xx							
KD-55XH81xx	1243	718	365	3	83	287	20
KE-55XH81xx							
KD-55XH80xx							
KE-55XH80xx							

TV орнатылатын өлшемдер кестесі (мм)

Кестедегі деректер орнатуға байланысты аздап өзгешеленуі мүмкін.

*1 (Экран ортасының нүктесі)

*2 (Шамамен)

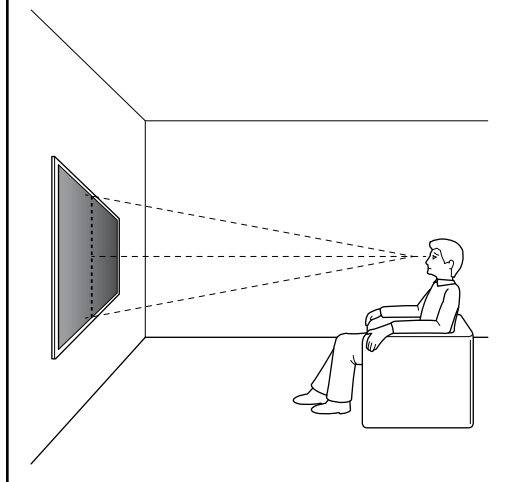
Нұсқау

- ТД қабырғаға орнатылғанда ТД жоғарғы бөлігі аздап алға еңкейеді.

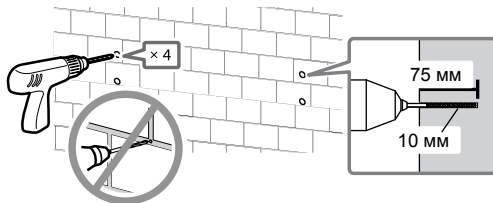
KZ

Нұсқау

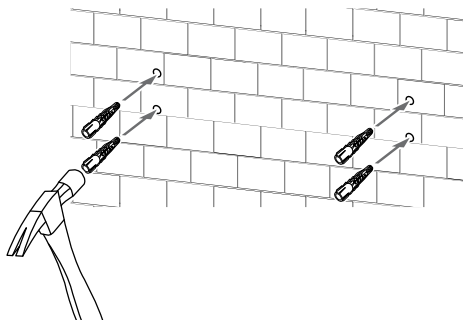
- Біз көру орнындағы теледидардың орналасуын тексеруді ұсынамыз.



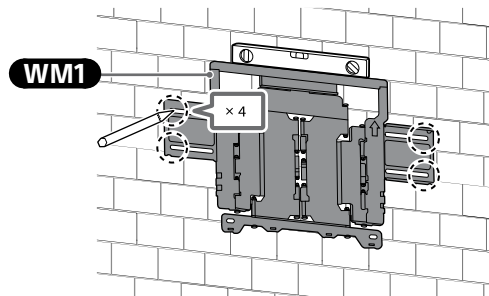
- 3 Белгіленген жерлерді орнату тесіктерін жасау үшін бұрғылаңыз.



4



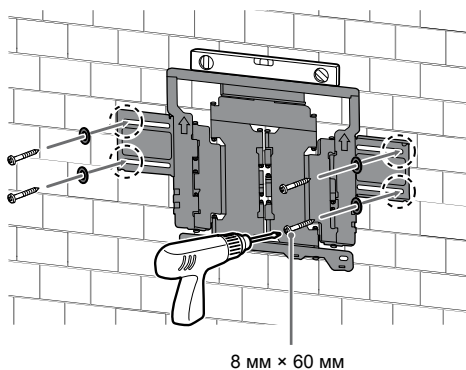
- 2 **WM1** құралын қабырғаға туралап, төрт белгі жасаңыз.



Нұсқау

- **WM1** деңгейін тексеру үшін деңгей тексеру құралын пайдаланыңыз.

- 5 **WM1** құралын қабырғаға сәйкес келетін бұрандалармен (жинаққа кірмейді) және шайбалармен (жинаққа кірмейді) орнатыңыз.



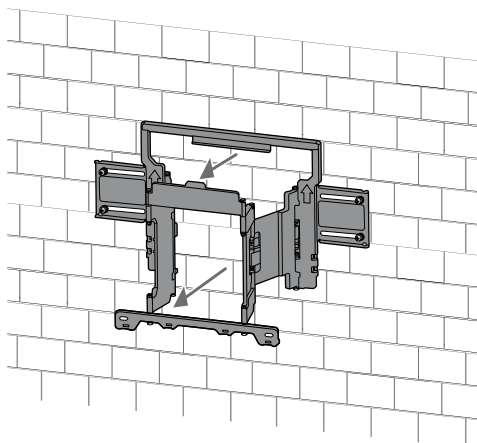
Нұсқау

- Қабырғаға орнатылатын кронштейннің деңгейін тексеру үшін деңгей тексеру құралын пайдаланыңыз.

Сақтық шарасы

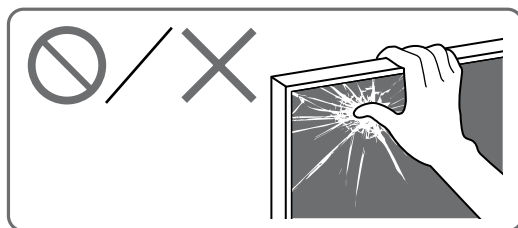
- 8 мм × 60 мм ағаш бұранданы шамадан тыс тартпаңыз. Дұрыс тартпасаңыз 8 мм × 60 мм ағаш бұранда ұстамауы мүмкін.

6 Кронштейннің қолын шетке қарай тартып жылжытыңыз.

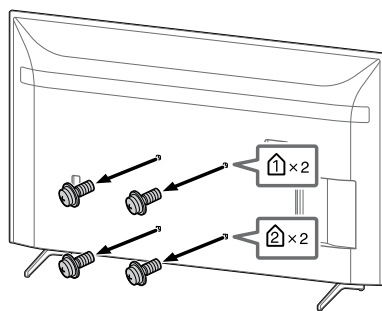


Теледидарды орнатуға дайындау

Орнату нұсқаулығына сәйкес теледидарды қабырғаға орнату алдында үстел тұғырын міндетті түрде тіркеңіз.



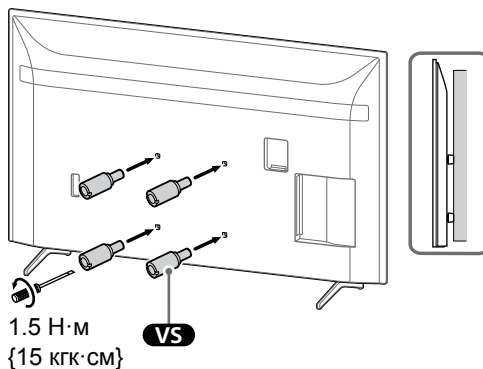
1 Теледидардың артындағы бұрандаларды алып тастаңыз.



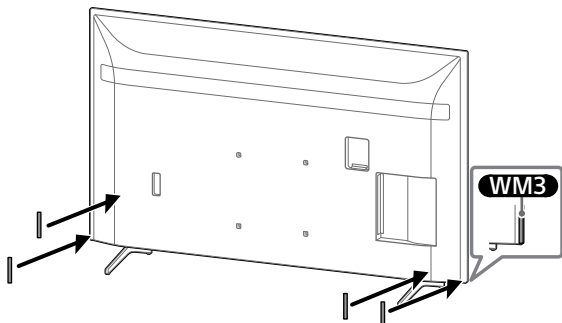
Нұсқау

- Алынған бұрандаларды және пайдаланылмаған бөлшектерді қауіпсіз жерде, балалардан аулақ ұстаңыз.

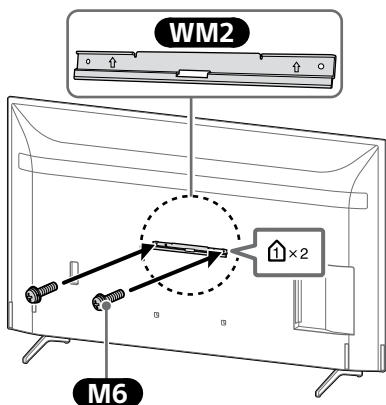
2 Қабырғаға орнататын тіркемені (ТД бірге берілген) ТД артқы жағына (қабырғаға параллель болатындай) бекітіңіз.



3 WM3 бөлігін бекітіңіз.

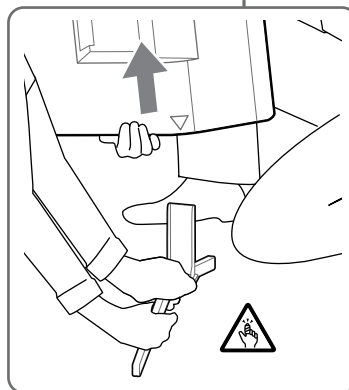
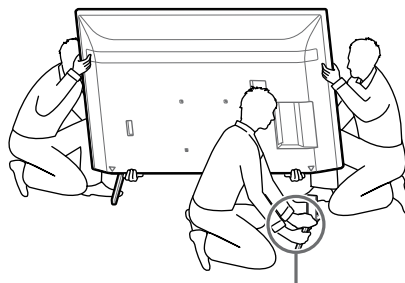


4 WM2 құралын теледидарға M6 арқылы бекітіңіз.



5 ТД-дан Үстел тұғырын ажыратыңыз.

- Үстелдің үстіңгі тақтайының бір жақ бағанасын бірден алып тастаңыз. Басқа адамдар теледидарды көтергенше үстелдің үстіңгі тақтайының бағанасын қатты ұстаңыз.

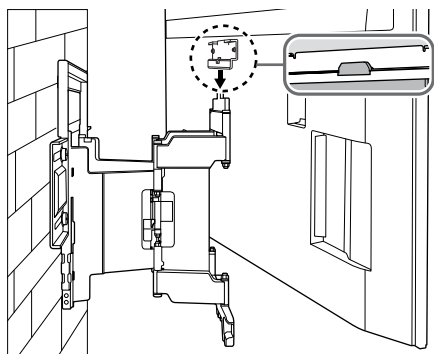
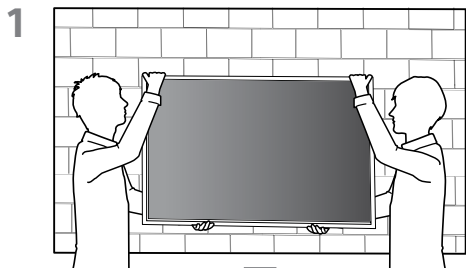


- Алдыңғы қадамды қайталаңыз және үстелдің үстіңгі тақтайының екінші жақ бағанасын алып тастаңыз.

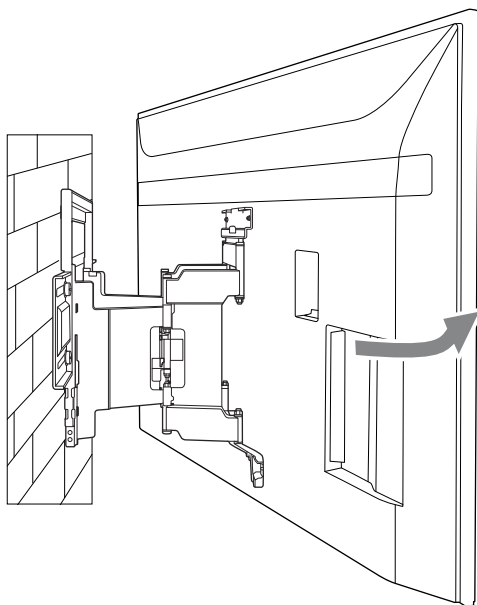
Нұсқау

- Үстел тұғырын шешу үшін үш не одан көп адам қажет болады.
- Үстел тұғырын теледидардан шешкен кезде шамадан көп күш салмауға тырысыңыз, себебі бұл теледидардың құлап, дене жарақатына немесе теледидардың физикалық зақымына әкелуі мүмкін.
- Теледидардың зақымдалуын болдырмау үшін үстел тұғырын абайлап қолданыңыз.
- Теледидарды көтергенде абай болыңыз, өйткені үстел тұғыры ажыратылып, жарамсыздыққа ұшырауы мүмкін.
- Теледидардан үстел тұғырын алу кезінде құлатып алудан және теледидар орнатылған бетке зақым келтіруден сақтық шараларын қолға алыңыз.

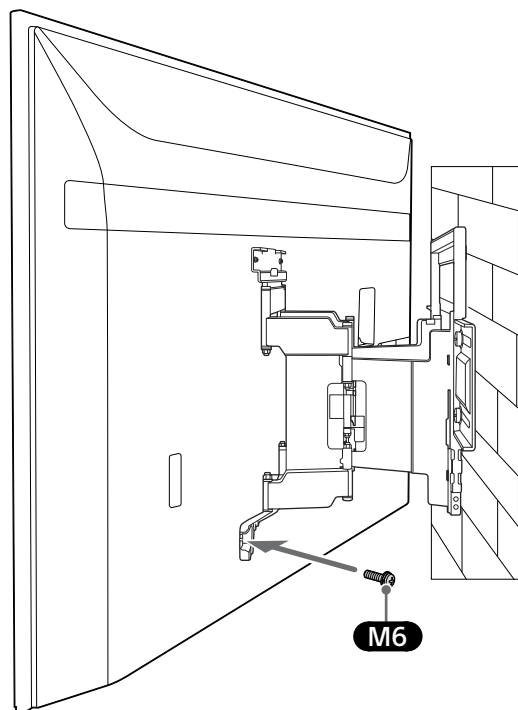
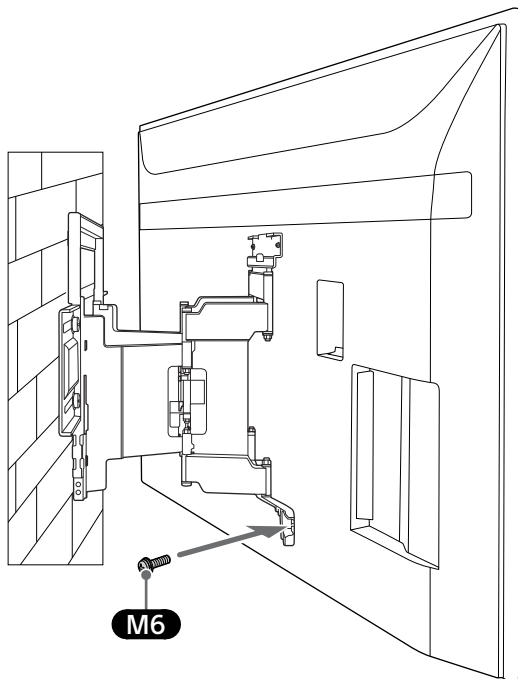
Қабырғаға теледидарды орнату



2

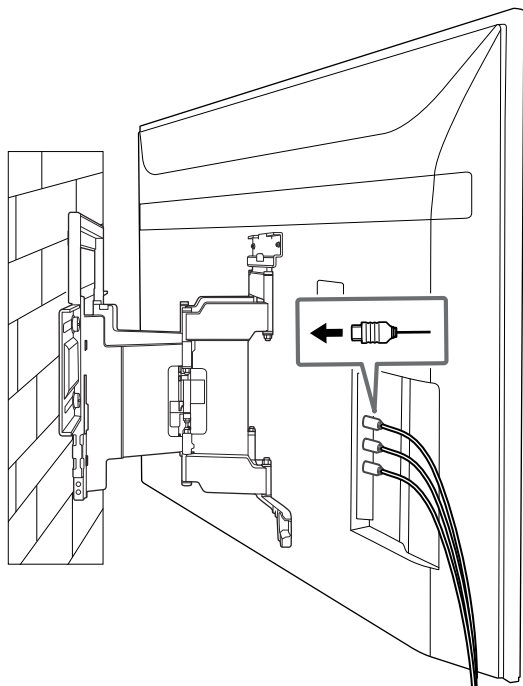


3 Қабырғаға орнататын кронштейннің сол және оң жағын бұраңыз.



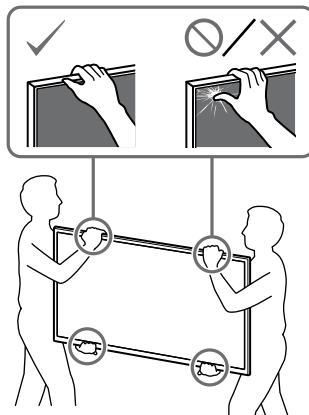
KZ

4

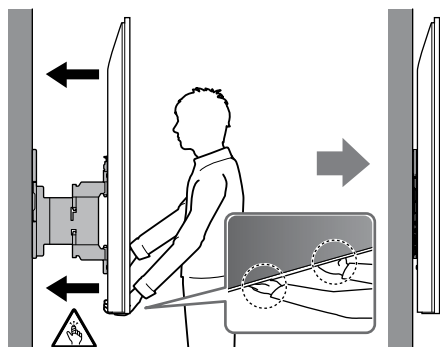


ЕСКЕРТУ

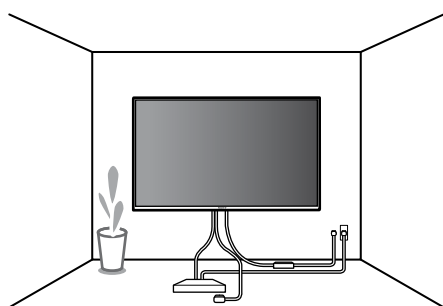
- Теледидарды тасымалдау кезінде екі немесе одан көп адам (75 дюймді және одан үлкен теледидар жинағы үшін үш немесе одан көп адам) ұстағанын тексеріңіз.



5 Теледидарды жылжитқан кезде, оны төменгі жағынан мықтап ұстаңыз.



6



Орнатудың аяқталғандығын тексеру

Келесілерді тексеріңіз.

- Сым мен кабель оралмаған немесе қысылмаған.

ЕСКЕРТУ

- Айнымалы ток сымының немесе т.б. қате орналасуы қысқа тұйықталу салдарынан өрттің пайда болуына немесе ток соғу қаупіне әкелуі мүмкін. Орнату жұмыстарының қауіпсіздік талаптарына сай орындалғанына көз жеткізіңіз.

Басқа ақпарат

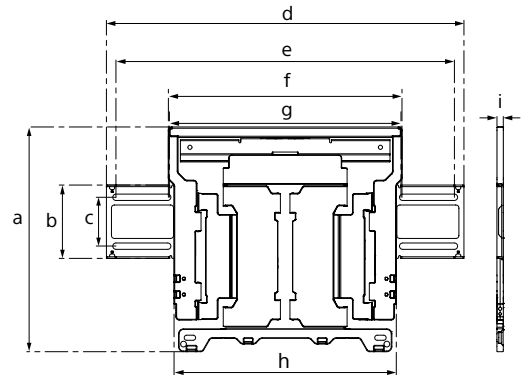
Теледидарды алған кезде алдыңғы орнату процедурасын керісінше орындаңыз.

ЕСКЕРТУ

- Теледидарды шешу кезінде екі немесе одан көп адам (75 дюймді және одан үлкен теледидар жинағы үшін үш немесе одан көп адам) ұстағанын тексеріңіз.

Техникалық сипаттамалары

WM1



Өлшемдері: (шамамен) [мм]

- a : 354
- b : 116
- c : 77
- d : 563
- e : 533
- f : 370
- g : 368
- h : 350
- i : 11

Салмағы (тек тұғыр): (шамамен) [кг]

3,0

Дизайн мен техникалық сипаттамалары ескертусіз өзгертіледі.

Informacije za montažu za upotrebu Sony nosača za postavljanje na zid (SU-WL850)

Podržani modeli*:

KD-75XH80xx / 65XH81xx / 65XH80xx / 55XH81xx / 55XH80xx

KE-75XH80xx / 65XH81xx / 65XH80xx / 55XH81xx / 55XH80xx

* U konkretnim nazivima modela, „xx“ označava brojeve i/ili slova specifične za svaki model.

Za kupce

Radi zaštite proizvoda i iz bezbednosnih razloga, Sony striktno preporučuje da montažu vašeg TV-a obave dileri ili licencirani ugovarači kompanije Sony. Ne pokušavajte sami da ga montirate.

Za dilere ili licencirane ugovarače kompanije Sony

Obezbedite punu pažnju bezbednosti tokom montaže, periodičnog održavanja i pregleda ovog proizvoda.

Za montažu ovog proizvoda je potrebna dovoljna stručnost, posebno za određivanje jačine zida da bi podneo težinu TV-a. Obavezno poverite pričvršćenje ovog proizvoda na zid dilerima ili licenciranim ugovaračima kompanije Sony i posvetite odgovarajuću pažnju bezbednosti tokom montaže. Sony nije odgovoran za bilo kakve štete ili povrede prouzrokovane nepravilnim rukovanjem ili nepropisnom montažom.

Iz bezbednosnih razloga, pridržavajte se Vodič za postavljanje nosača za montažu na zid, Vodič za podešavanje TV-a i uputstva u ovom priručniku.

Nosač za montažu na zid

O bezbednosti

Hvala vam što ste kupili ovaj proizvod.

Za kupce

Montaža TV-a na zid



UPOZORENJE

NEOPHODNO JE PROFESIONALNO POSTAVLJANJE

Ovaj proizvod bi trebalo da postavlja samo profesionalni monter koji je obučen da proceni snagu zida koja treba da izdrži težinu TV-a. Ako nije pravilno obezbeđen tokom postavljanja, TV može da padne i izazove ozbiljne povrede. Sony nije odgovoran za bilo kakvu štetu ili povredu izazvanu prilikom pogrešnog rukovanja ili nepravilnim postavljanjem, ili postavljanjem bilo kojeg drugog osim navedenog proizvoda. Vaša zakonska prava (ako ih ima) se ne povređuju.

Za dilere kompanije Sony

Za postavljanje ovog proizvoda je potrebna dovoljna stručnost. Obavezno pažljivo pročitajte ovaj priručnik da biste bezbedno obavili rad na postavljanju. Sony nije odgovoran za bilo kakve štete ili povrede prouzrokovane nepravilnim rukovanjem ili nepropisnim postavljanjem. Ovaj priručnik dajte kupcu nakon postavljanja.

Ovaj priručnik sa uputstvima prikazuje ispravno rukovanje proizvodom i važne mere predostrožnosti koje su potrebne da bi se sprečile nesreće. Vaša je odgovornost da pročitate, potpuno razumete i pratite sva uputstva u ovom uputstvu za upotrebu. Ako to ne učinite, možete izazvati ozbiljne povrede ili oštećenje imovine i možete poništiti garanciju. Držite ovaj priručnik dostupnim za buduću upotrebu.

Proizvodi kompanije Sony su projektovani da budu bezbedni. Međutim, ako se proizvodi nepravilno koriste, to može da dovede do ozbiljnih povreda usled požara, strujnog udara, prevrtanja proizvoda ili padanja proizvoda. Obavezno poštujujte mere predostrožnosti za bezbednost radi sprečavanja takvih nesreća.

OPREZ

Određeni proizvodi

Ovaj nosač za montažu na zid je projektovan za upotrebu sa određenim modelima TV-a. Za svaki TV aparat, pogledajte njegov „Referentni vodič“ da biste proverili da se uz njega može koristiti nosač za postavljanje na zid.

Za kupce

UPOZORENJE

Ako se sledeće mere predostrožnosti ne poštuju, to može da dovede do teških telesnih povreda ili smrti usled požara, strujnog udara ili padanja proizvoda.

Obavezno poverite postavljanje licenciranim ugovaračima i držite malu decu dalje tokom postavljanja.

Ako se nosač za montažu na zid ili TV ne postave pravilno, može doći do sledećih nesreća. Licencirani ugovarači treba obavezno da izvrše postavljanje.

- TV može da padne i da dovede do ozbiljnih povreda, kao što su modrica ili prelom.
- Ako je zid na koji se postavlja nosač za montažu na zid nestabilan, neravan ili nije vertikal u odnosu na pod, uređaj može da padne i izazove povrede ili oštećenje imovine. Zid bi trebalo da bude u stanju da može da izdrži težinu najmanje šest puta veću od težine TV-a. (Pogledajte „Referentni vodič“ TV-a da biste utvrdili njegovu težinu.)
- Ako postavljanje nosača za montažu na zid nije dovoljno čvrsto, uređaj može da padne i izazove povrede ili oštećenje imovine.

Obavezno poverite pomeranje ili demontažu TV-a licenciranim ugovaračima.

Ako druge osobe osim licenciranih ugovarača prebacuju ili demontiraju TV, on može da padne i izazove povrede ili oštećenje imovine. TV treba da nose ili skidaju dve ili više osoba (tri ili više osoba ako je TV od 75 inča ili veći).

Ne skidajte vijke, i slično, nakon montiranja TV-a.

Ako to učinite, TV može da padne i izazove povrede ili oštećenje imovine.

Ne vršite izmene na delovima nosača za montažu na zid.

Ako to učinite, nosač za montažu na zid može da padne i izazove povrede ili oštećenje imovine.

Nemojte montirati nikakvu opremu osim navedenog proizvoda.

Ovaj nosač za montažu na zid je projektovan samo za upotrebu sa navedenim proizvodom. Ako montirate opremu osim navedene, ona može da padne ili da se polomi i izazove povrede ili oštećenje imovine.

Ne primenjujte nikakvo opterećenje osim TV-a na nosač za montažu na zid. Ne tresite TV prijemnik levo/desno, gore/dole.

Ako to učinite, TV može da padne i izazove povrede ili oštećenje imovine.

Ne oslanjajte se ili ne kačite na TV.

Ne oslanjajte se ili ne kačite na TV, pošto on može da padne na vas i izazove ozbiljne povrede.

OPREZ

Ako se ne poštuju sledeće mere predostrožnosti, može da dođe do povreda ili oštećenja imovine.

- Pazite da ne povredite prste dok rukujete nosačem za postavljanje na zid ili dok naginjete komplet TV-a.
- Prilikom zakretanja TV aparata, postupajte pažljivo i vodite računa da ne udarite ljude u blizini.
- Obavezno sačuvajte neiskorišćene delove na sigurnom mestu za korišćenje u budućnosti. Čuvajte ih van domašaja dece.

Ne rukujte proizvodom sa prekomernom silom tokom čišćenja ili održavanja.

Ne primenjujte prekomernu silu na gornjoj strani TV-a. Ako to učinite, TV može da padne i izazove povrede ili oštećenje imovine.

Mere predostrožnosti

- Ako koristite TV postavljen na nosač za montažu na zid dugo vremena, zid iza i iznad TV-a može da promeni boju ili se tapete mogu odlepiti, u zavisnosti od materijala zida.
- Ako se kompletan nosač za montažu skine nakon postavljanja, ostaju rupe od vijaka.
- Ne koristite nosač za montažu na zid na mestu gde je podlozan mehaničkim vibracijama.

Postavljanje nosača za montažu na zid

Za dilere kompanije Sony

UPOZORENJE

Sljedeća uputstva su namenjena samo za dilere kompanije Sony. Obavezno pročitajte gore opisana bezbednosna uputstva i obratite posebnu pažnju na bezbednost tokom postavljanja, održavanja i provere ovog proizvoda.

Ne postavljajte nosač za montažu na zid na zidnim površinama gde su uglovi ili strane televizora izbočeni od površine zida.

Ne postavljajte nosač za montažu na zid na zidnim površinama kao što je stub, gde su uglovi ili strane televizora izbočeni od površine zida. Ako se desi da osoba ili predmet udare u izbočeni ugao ili bočnu stranu TV-a, to može da dovede do povreda ili oštećenje imovine.

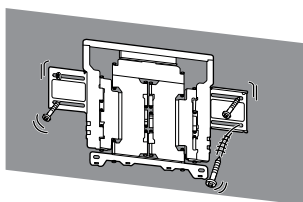


Ne postavljajte TV iznad ili ispod klima uređaja.

Ako je TV izložen dugo vreme prodoru vode ili toplog vazduha iz klima uređaja, to može da dovede do požara, strujnog udara ili kvara na TV-u.

Obavezno postavite nosač za montažu na zid čvrsto na zid postupajući prema uputstvima iz ovog priručnika.

Ako bilo koji od vijaka postane labav ili ispadne, nosač za montažu na zid može da padne i dovede do povreda ili oštećenja imovine. Proverite da li vijci koje koristite odgovaraju strukturi zida i dobro pričvrstite jedinicu koristeći četiri vijci prečnika 8 mm (ili njima odgovarajuće).



Obavezno pravilno koristite isporučene vijke i delove za pričvršćenje postupajući prema uputstvima iz ovog priručnika. Ako koristite delove koji nisu originalni, TV može da padne i da nekome dovede do telesne povrede ili do oštećenja TV-a.

Proverite da li ste pravilno sklopili nosač za zid postupajući prema datom postupku objašnjenom u ovom priručniku sa uputstvima.

Ako su bilo koji od vijaka labavi ili ispadnu, TV može da padne i da nekome dovede do telesne povrede ili do oštećenja TV-a.

Obavezno pritegnite vijke čvrsto u određenom položaju.

Ako propustite da to učinite, TV može da padne i da nekome dovede do telesne povrede ili do oštećenja TV-a.

Pazite da ne izlažete televizor udaru tokom postavljanja.

Ako se TV izloži udaru, može da padne ili da se polomi. Ovo može da dovede do povreda.

Obavezno postavite TV na zid koji je istovremeno vertikalna i ravan.

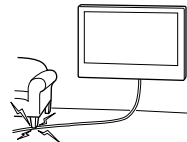
Ako propustite da to učinite, TV može da padne i izazove povrede.

Nakon pravilnog postavljanja TV-a, propisno obezbedite kablove.

Ako se ljudi ili predmeti zapletu sa kablovima, to može da dovede do povreda ili do oštećenja TV-a.

Ne dozvolite da strujni kabl ili kabl za povezivanje budu priklješteni.

Ako se strujni kabl ili kabl za povezivanje priklješti između uređaja i zida ili se savije ili iskrivi silom, unutrašnji provodnici mogu da postanu otkriveni i izazovu kratak spoj ili prekid struje. Ovo može da izazove požar ili strujni udar.



Vijci potrebni za pričvršćenje nosača za montažu na zid se ne isporučuju.

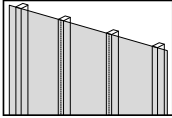
Koristite odgovarajuće vijke za materijal i strukturu zida prilikom montiranja nosača za montažu na zid.

Pre početka korišćenja

Najpre, proverite koja je vrsta zida na koji želite da postavite Televizor.

Od čega je vaš zid napravljen?

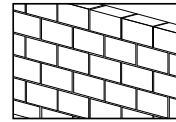
Suvi zid sa drvenim stubovima



Mere predostrožnosti

- Maksimalna debljina suvog zida: 16 mm.
- Proverite da li su dimenzije unutrašnjeg drvenog stuba najmanje 51 x 102 mm za standardnu ili 38 x 89 mm za stvarnu dimenziju.
- Horizontalno odstojanje između držača treba da bude najmanje 406 mm.

Zid od punog betona ili od betonskih blokova



Mere predostrožnosti

- Nosač za postavljanje na zid možete direktno da montirate na zid od punog betona.
- Proverite da li je debljina betonskog zida najmanje 203 mm.
- Proverite da li je veličina pojedinačnog betonskog bloka najmanje 203 x 203 x 406 mm.

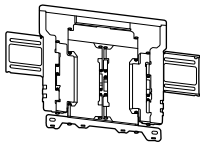

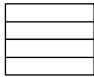

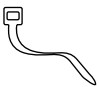
Priprema za postavljanje

- Neka vam pre postavljanja Referentni vodič za TV i Vodič za podešavanje budu pri ruci.
- Proverite položaj za postavljanje vašeg TV-a.
- Pripravite četiri zavrtnja prečnika 8 mm i četiri odgovarajuće podloške (nije isporučeno).
Izaberite vijke koji odgovaraju za materijal zida.

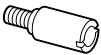
Provera delova

Isporučeno uz SU-WL850

- Proverite da li su svi delovi isporučeni.



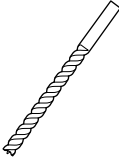
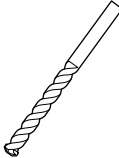
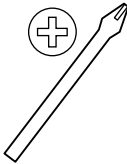






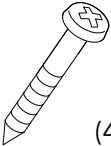
A WM1 (1) 	B WM2 (1) 
C WM3 (4) 	D M6 (4) 
E WT1 (6) 	

Isporučeno uz TV

VS Priključak nosača za montažu na zid (4) 
--



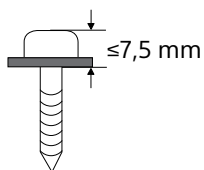
Potrebni alati

*1 	  5,5 mm  10 mm 		
*2 		 1,5 N·m {15 kgf·cm}	
*3  (4)	*2  (4)	*3  8 mm x 60 mm (4)	

*1 Samo za suvi zid sa drvenim stubovima

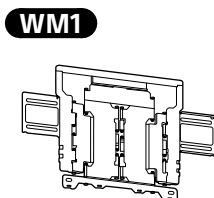
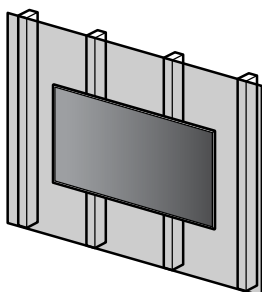
*2 Samo za zid od punog betona ili zid od betonskih blokova

*3 Pažljivo birajte zavrtnje i podloške



A Pričvrščivanje Televizora za suvi zid sa drvenim stubovima

Suvi zid sa drvenim stubovima

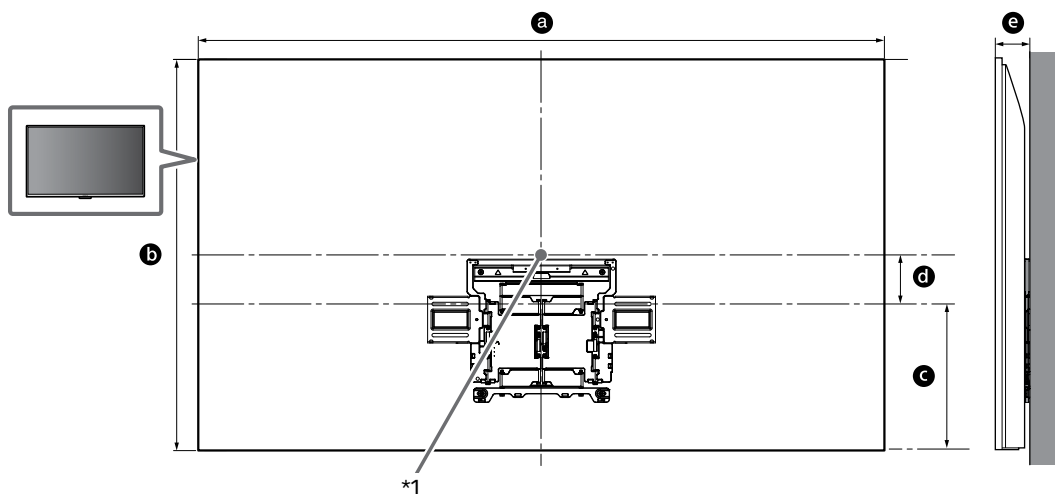


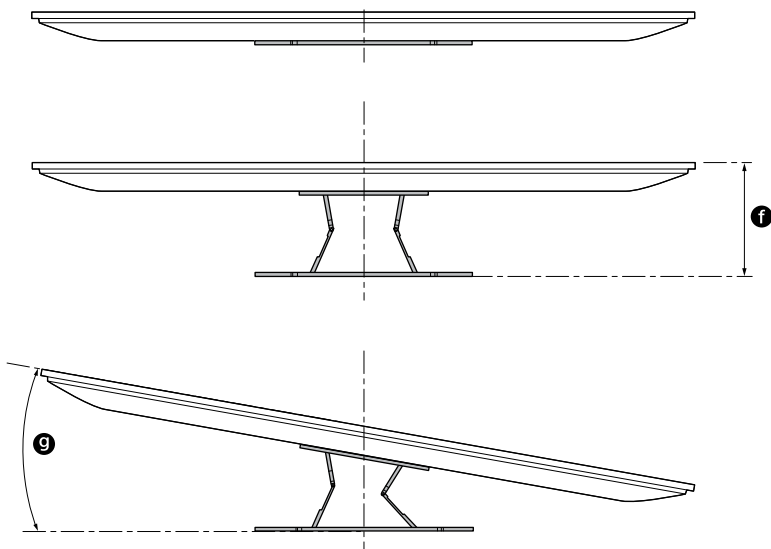
Postavljanje na zid nosača za postavljanje na zid

1 Odlučite o mestu za postavljanje.

Uverite se da zid ima dovoljno prostora za TV i da može da podnese težinu bar četiri puta veću od težine TV-a.

Pogledajte sledeću tabelu o montaži TV-a na zid. Pogledajte Vodič za reference svog TV-a radi težine TV-a.





(mm)

Naziv modela	a	b	c	d	e	f*2	g*2 (°)
KD-75XH80xx	1.686	969	364	123	86	288	15
KE-75XH80xx							
KD-65XH81xx	1.462	841	365	59	83	287	18
KE-65XH81xx							
KD-65XH80xx							
KE-65XH80xx							
KD-55XH81xx	1.243	718	365	3	83	287	20
KE-55XH81xx							
KD-55XH80xx							
KE-55XH80xx							

Tabela sa dimenzijama za instalaciju (mm) za TV
 Cifre u tabeli mogu neznatno da se razlikuju u zavisnosti od montaže.

*1 (Središnja tačka ekrana)

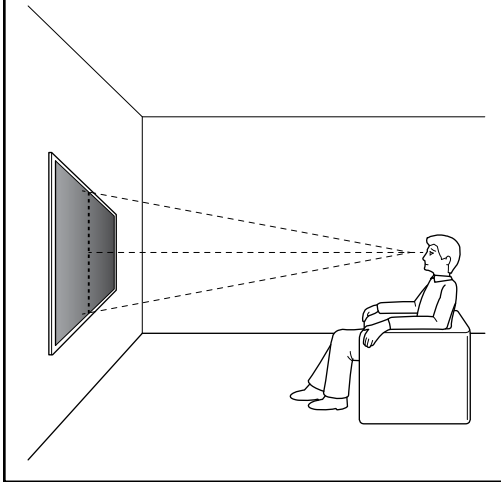
*2 (Približ.)

Napomena

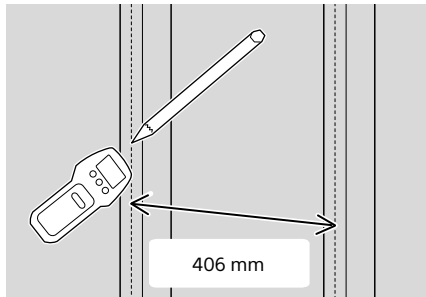
- Kada se TV montira na zid, gornja strana TV-a se malo nagne napred.

Napomena

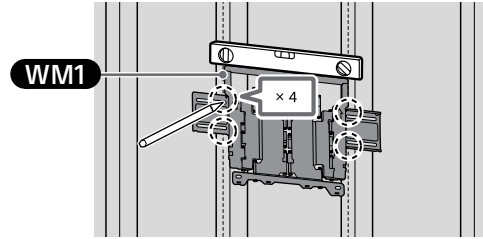
- Preporučujemo da vizuelno proverite okruženje mesta za TV.



2



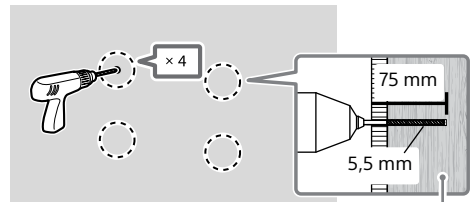
- 3 Poravnajte **WM1** sa zidom i napravite četiri oznake poravnate sa drvenim stubovima.



Napomena

- Koristite libelu da biste proverili da li je **WM1** u ravni.

- 4 Na oznakama probušite gornje rupe za navođenje.

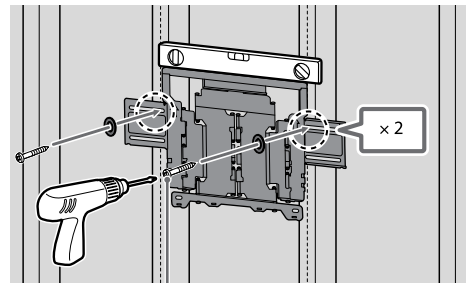


Drveni stub ili pojačanje

Napomena

- Rupe za navođenje moraju biti probušene do dubine od 75 mm pomoću burgije prečnika od 5,5 mm.

- 5 Postavite **WM1** na zid pomoću odgovarajućih zavrtnja (nije isporučeno) i podloški (nije isporučeno).



8 mm × 60 mm

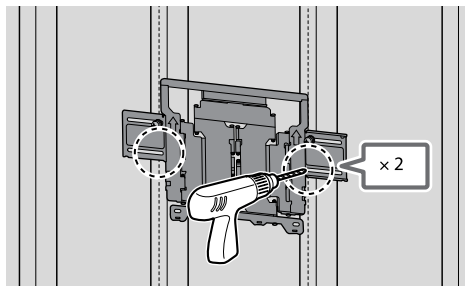
Napomena

- Koristite libelu da biste proverili da li je **WM1** u ravni.

Mere predostrožnosti

- Nemojte preterano pritezati drveni vijak 8 mm × 60 mm. Neodgovarajuće pritezanje može da smanji noseću snagu drvenog vijka 8 mm × 60 mm.

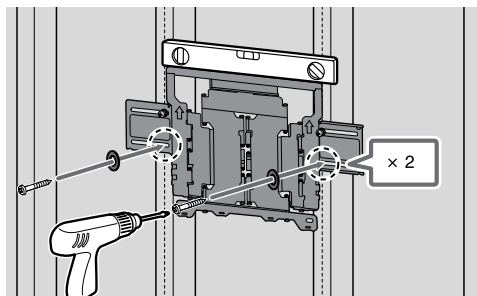
- 6 Na oznakama probušite donje rupe za navođenje. (Pogledajte korak 4 zbog uputstva za bušenje.)



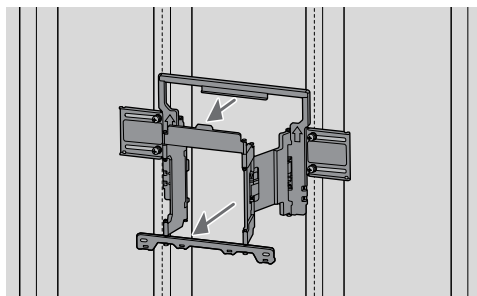
- 7 Podesite odgovarajuće zavrtnje i podloške u odnosu na rupe.

Napomena

- Koristite libelu da biste proverili da li je nosač za postavljanje na zid u ravni.

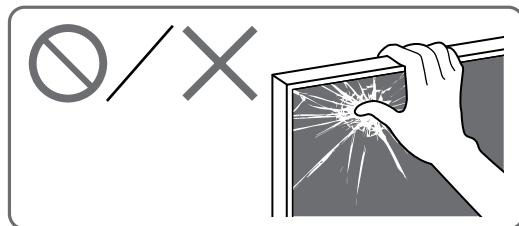


- 8 Izvucite dršku nosača do kraja.

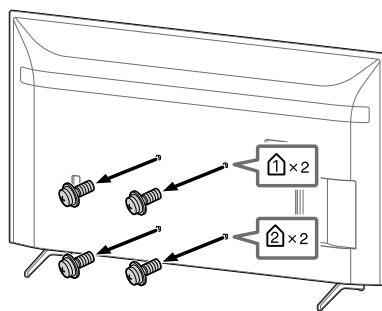


Priprema za postavljanje TV-a

Pre pričvršćivanja TV-a na zid, pomoću Vodiča za podešavanje proverite da li ste pričvrstili postolje za sto.



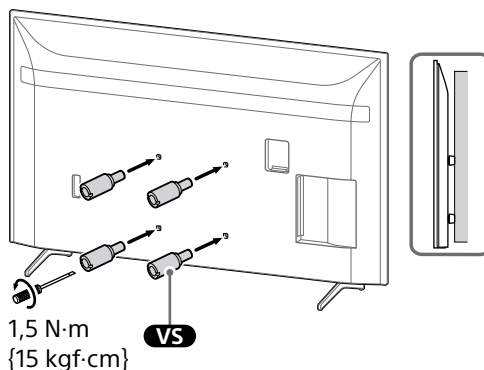
- 1 Izvadite vijke sa zadnje strane TV-a.



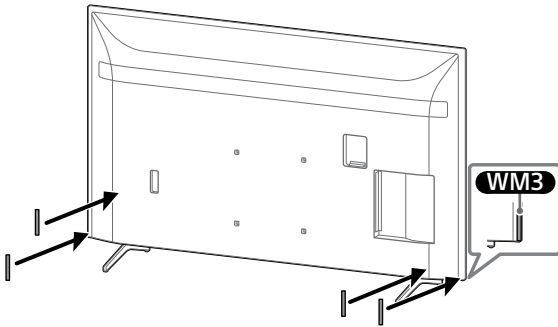
Napomena

- Obavezno čuvajte uklonjene vijke i neiskorišćene delove na bezbednom mestu, držeći ih dalje od dece.

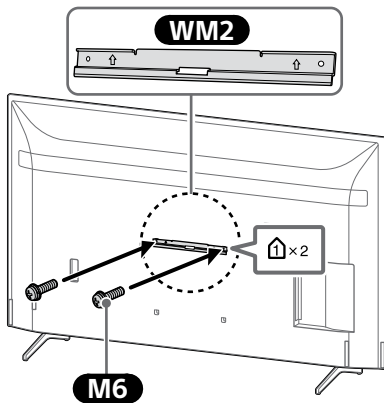
- 2 Pričvrstite priključak nosača za montažu za zid (isporučen uz TV) na poledinu TV-a (da bi bio paralelan sa zidom).



3 Prikačite WM3.

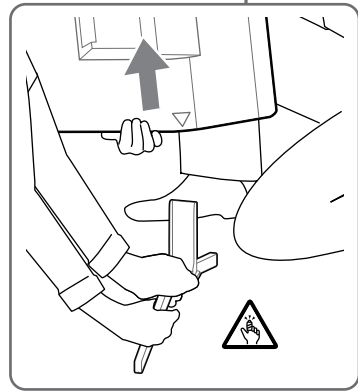
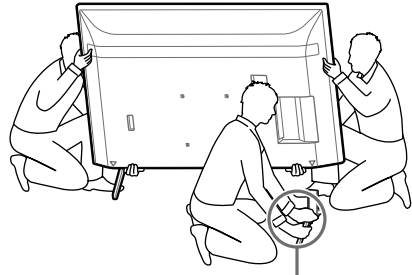


4 Pričvrstite WM2 na Televizor pomoću M6.



5 Odvojite postolje za sto od TV-a.

- Uklanjajte jednu po jednu stranu postolja za sto. Čvrsto držite postolje za sto sa obe ruke dok drugi ljudi podižu TV.

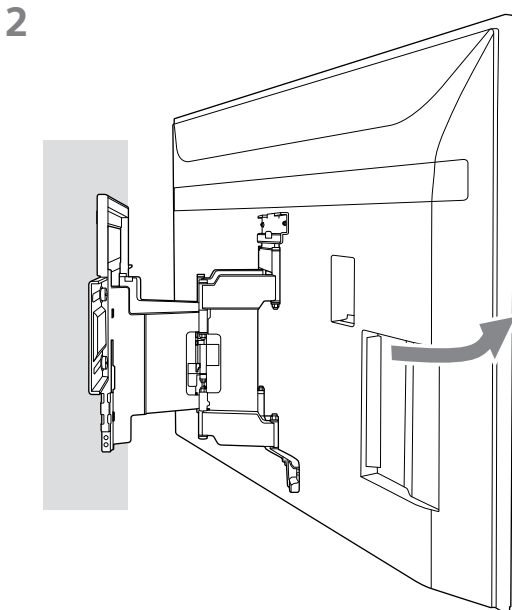
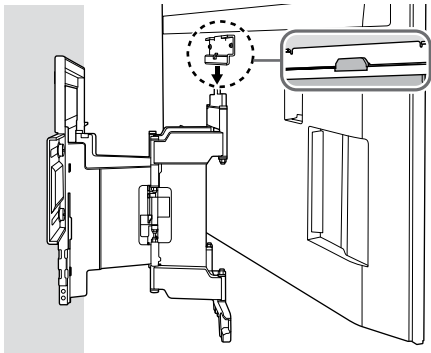
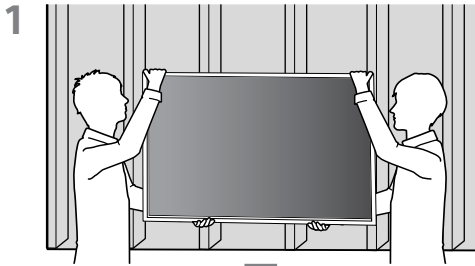
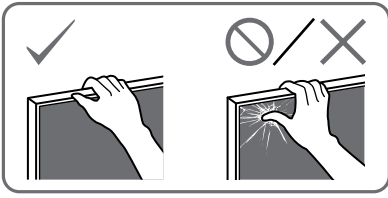


- Ponovite prethodni korak i uklonite drugu stranu postolja za sto.

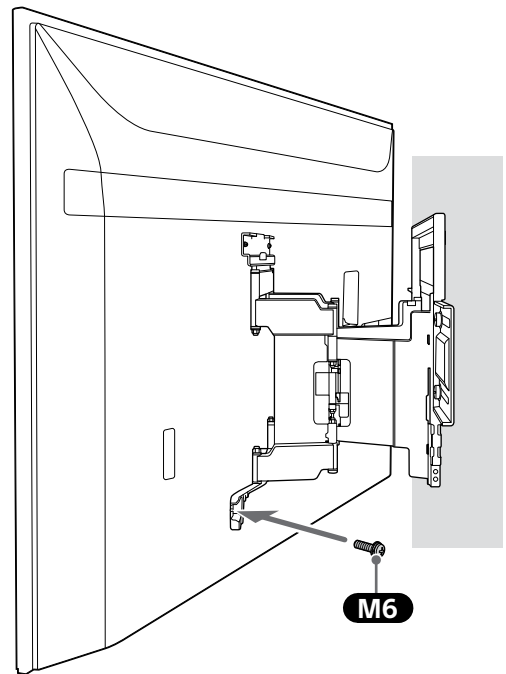
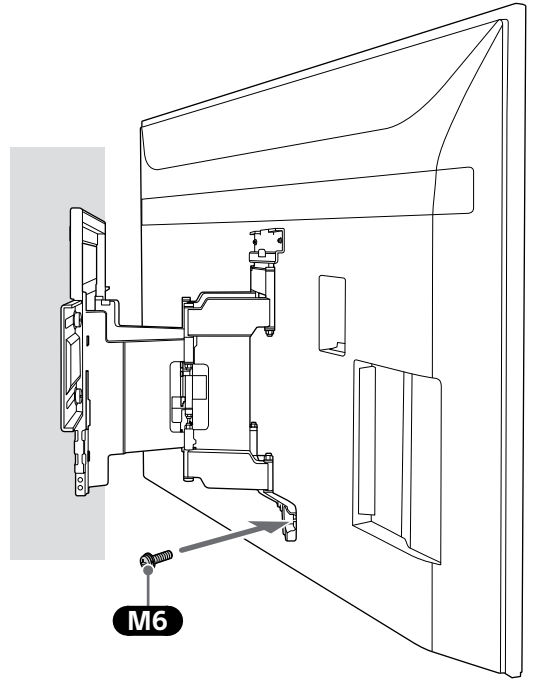
Napomena

- Troje ili više ljudi je potrebno za odvajanje postolja za sto.
- Vodite računa da prilikom odvajanja postolja za sto od TV-a ne koristite prekomernu silu jer to može da dovede do pada TV aparata i izazove telesnu povredu ili fizičko oštećenje TV-a.
- Pažljivo rukujte sa postoljem za sto da ne biste oštetili TV.
- Pažljivo podižite TV dok odvajate postolje za sto da se ne bi prevrnulo i izazvalo povredu.
- Pažljivo odvojite postolje za sto od TV-a da ne bi palo i oštetilo površinu na kojoj se nalazi TV.

Postavljanje TV-a na zid

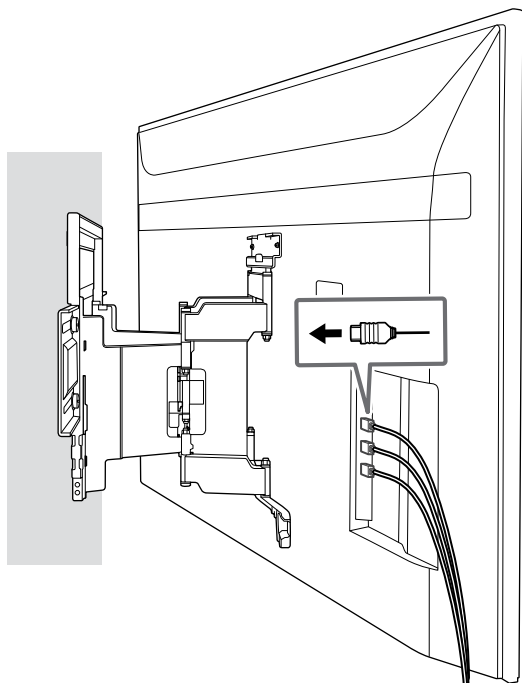


- 3 Zavrtnjima pričvrstite levu i desnu stranu Nosača za postavljanje na zid.

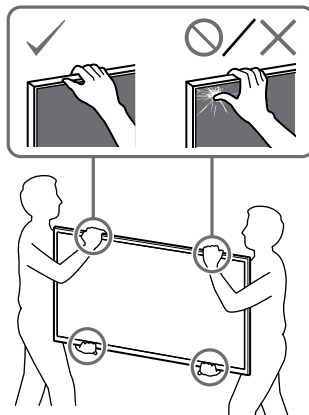


SR

4

**UPOZORENJE**

- TV treba da nose dve ili više osoba (tri ili više osoba ako je TV od 75 inča ili veći).



Potvrđivanje završetka postavljanja

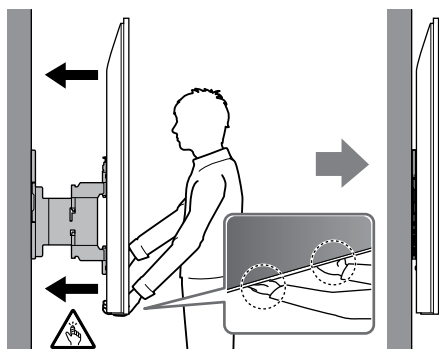
Proverite sledeće tačke.

- Strujni kabl i kabl nisu uvrnuti ili priklješteni.

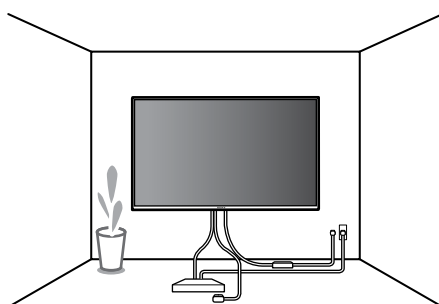
UPOZORENJE

- Neproprisan postavljanje strujnog kabla naizmjenične struje, i slično, može da dovede do požara ili strujnog udara preko kratkog spoja. Obavezno proverite završetak postavljanja radi bezbednosti.

5 Kada pomerate TV, čvrsto ga držite sa donje strane.

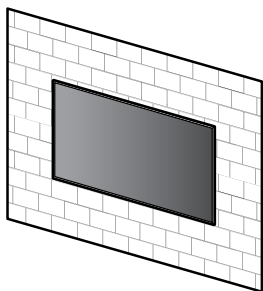


6

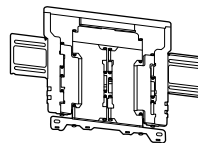


B Pričvrščivanje Nosača za postavljanje na zid na zid od punog betona ili od betonskih blokova

Zid od punog betona ili od betonskih blokova



WM1

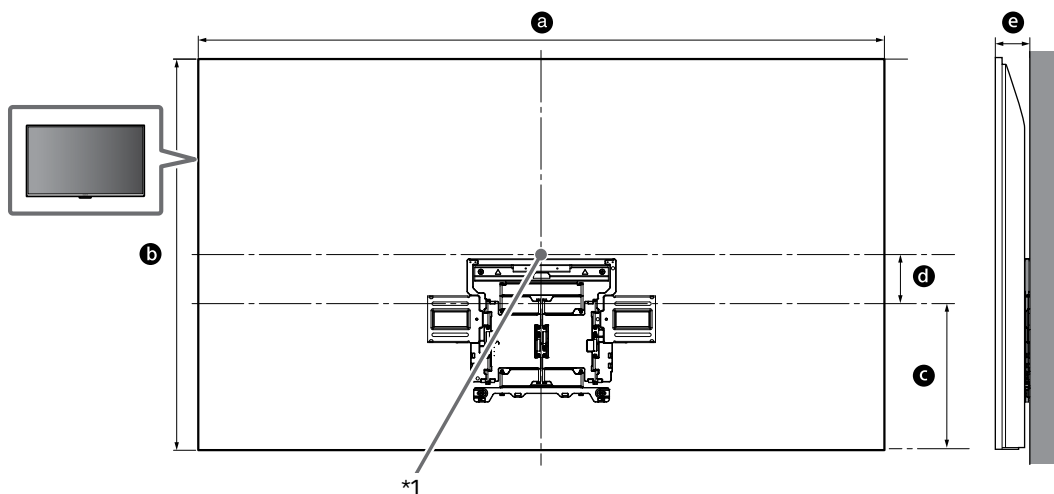


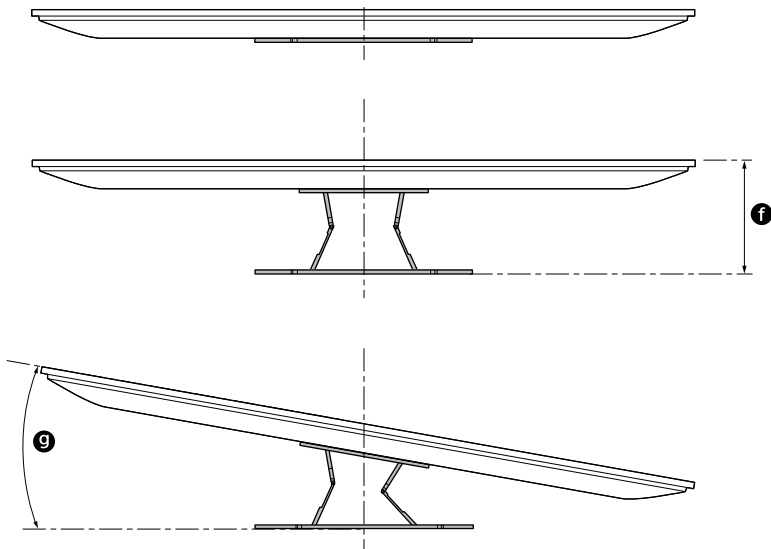
Postavljanje na zid nosača za postavljanje na zid

1 Odlučite o mestu za postavljanje.

Uverite se da zid ima dovoljno prostora za TV i da može da podnese težinu bar četiri puta veću od težine TV-a.

Pogledajte sledeću tabelu o montaži TV-a na zid. Pogledajte Vodič za reference svog TV-a radi težine TV-a.





(mm)

Naziv modela	a	b	c	d	e	f*2	g*2 (°)
KD-75XH80xx	1.686	969	364	123	86	288	15
KE-75XH80xx							
KD-65XH81xx	1.462	841	365	59	83	287	18
KE-65XH81xx							
KD-65XH80xx							
KE-65XH80xx	1.243	718	365	3	83	287	20
KD-55XH81xx							
KE-55XH81xx							
KD-55XH80xx							
KE-55XH80xx							

Tabela sa dimenzijama za instalaciju (mm) za TV
 Cifre u tabeli mogu neznatno da se razlikuju u zavisnosti od montaže.

*1 (Središnja tačka ekrana)

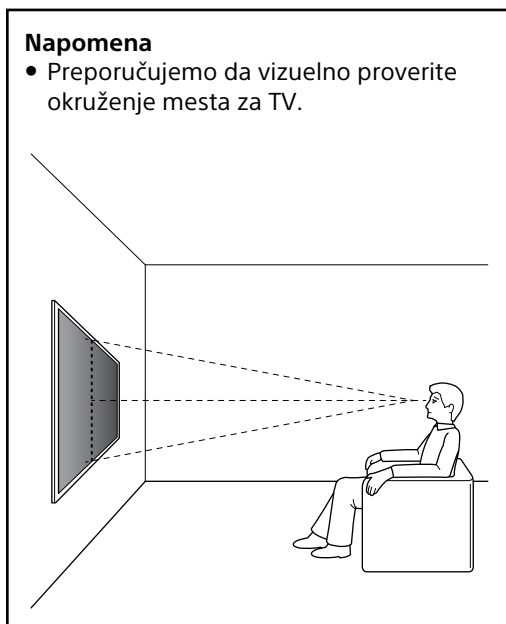
*2 (Približ.)

Napomena

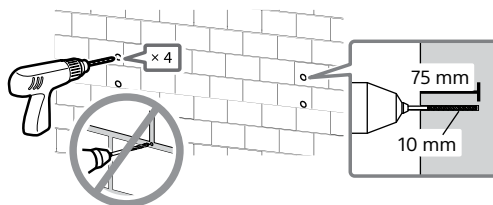
- Kada se TV montira na zid, gornja strana TV-a se malo nagne napred.

Napomena

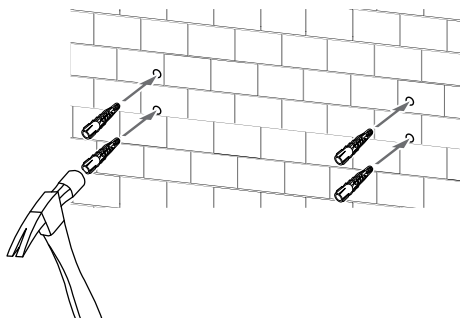
- Preporučujemo da vizuelno proverite okruženje mesta za TV.



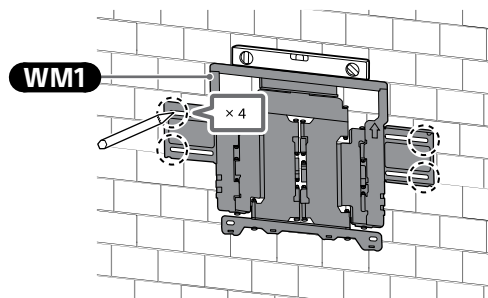
3 Probušite vodeće rupe na oznakama.



4



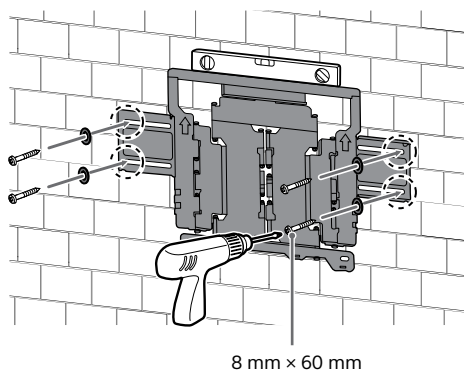
2 Poravnajte WM1 sa zidom i napravite četiri oznake.



Napomena

- Koristite libelu da biste proverili da li je WM1 u ravni.

5 Postavite WM1 na zid pomoću odgovarajućih zavrtnja (nije isporučeno) i podloški (nije isporučeno).



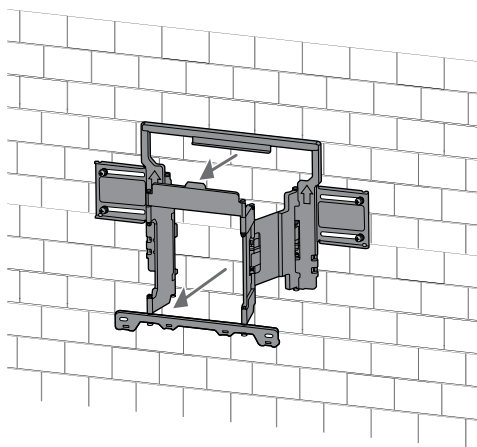
Napomena

- Koristite libelu da biste proverili da li je nosač za postavljanje na zid u ravni.

Mere predostrožnosti

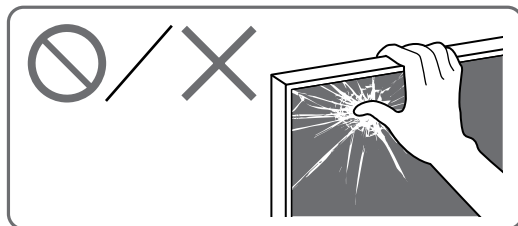
- Nemojte preterano pritezati drveni vijak 8 mm x 60 mm. Neodgovarajuće pritezanje može da smanji noseću snagu drvenog vijka 8 mm x 60 mm.

6 Izvucite dršku nosača do kraja.

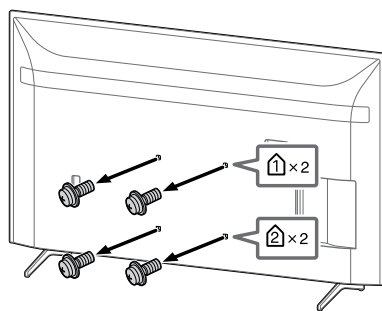


Priprema za postavljanje TV-a

Pre pričvrščivanja TV-a na zid, pomoću Vodiča za podešavanje proverite da li ste pričvrstili postolje za sto.



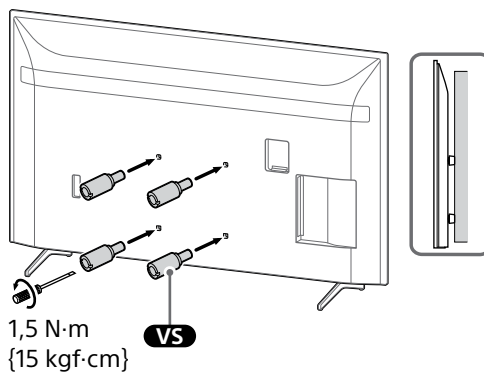
1 Izvadite vijke sa zadnje strane TV-a.



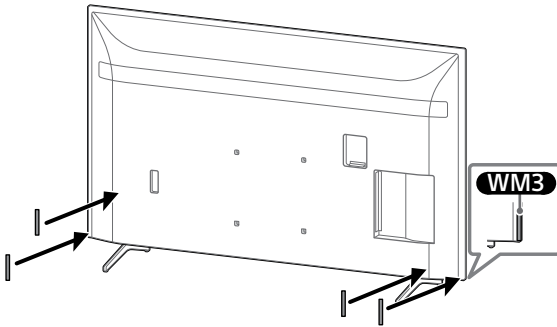
Napomena

- Obavezno čuvajte uklonjene vijke i neiskorišćene delove na bezbednom mestu, držeći ih dalje od dece.

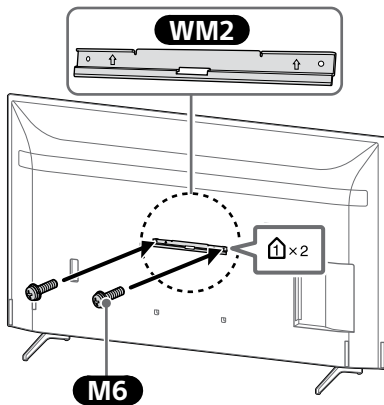
2 Pričvrstite priključak nosača za montažu za zid (isporučen uz TV) na poledinu TV-a (da bi bio paralelan sa zidom).



3 Prikačite WM3.

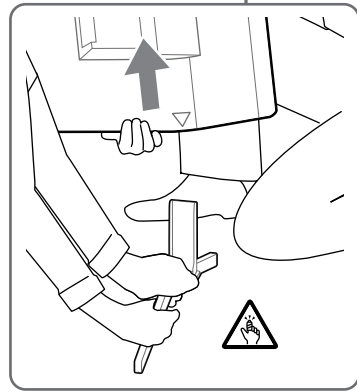
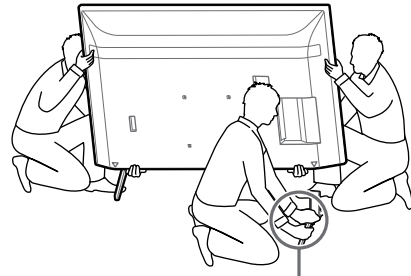


4 Pričvrstite WM2 na Televizor pomoću M6.



5 Odvojite postolje za sto od TV-a.

- Uklanjajte jednu po jednu stranu postolja za sto. Čvrsto držite postolje za sto sa obe ruke dok drugi ljudi podižu TV.

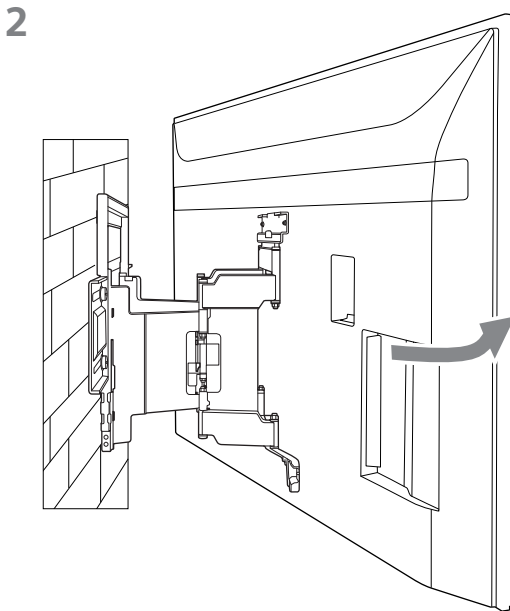
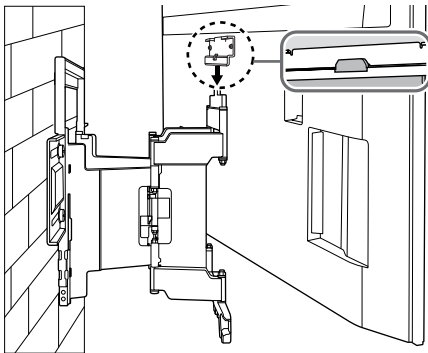
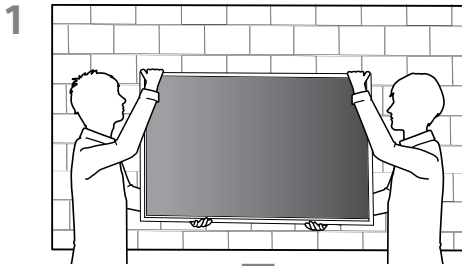
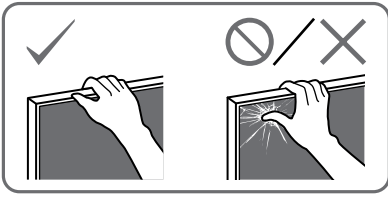


- Ponovite prethodni korak i uklonite drugu stranu postolja za sto.

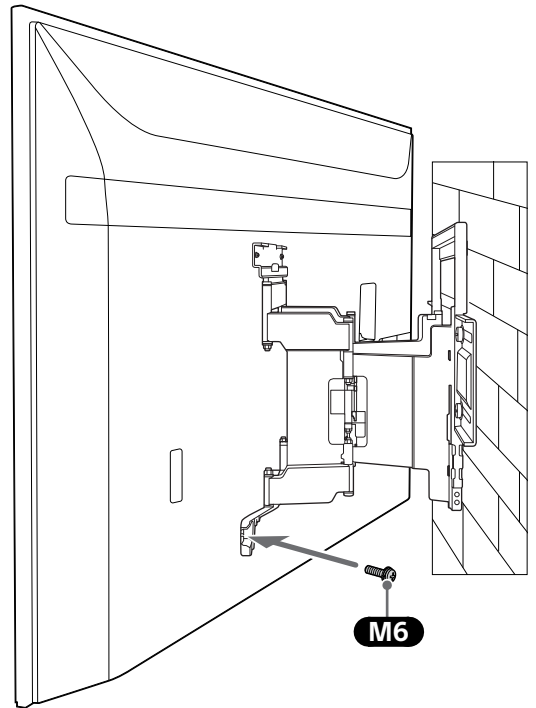
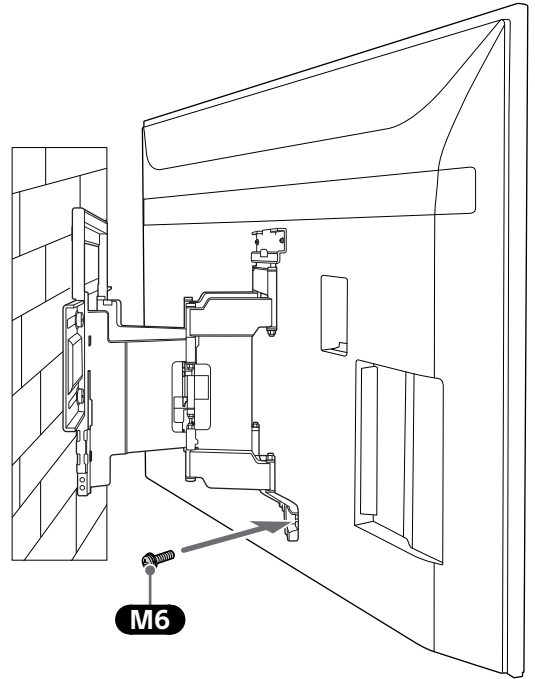
Napomena

- Troje ili više ljudi je potrebno za odvajanje postolja za sto.
- Vodite računa da prilikom odvajanja postolja za sto od TV-a ne koristite prekomernu silu jer to može da dovede do pada TV aparata i izazove telesnu povredu ili fizičko oštećenje TV-a.
- Pažljivo rukujte sa postoljem za sto da ne biste oštetili TV.
- Pažljivo podižite TV dok odvajate postolje za sto da se ne bi prevrnulo i izazvalo povredu.
- Pažljivo odvojite postolje za sto od TV-a da ne bi palo i oštetilo površinu na kojoj se nalazi TV.

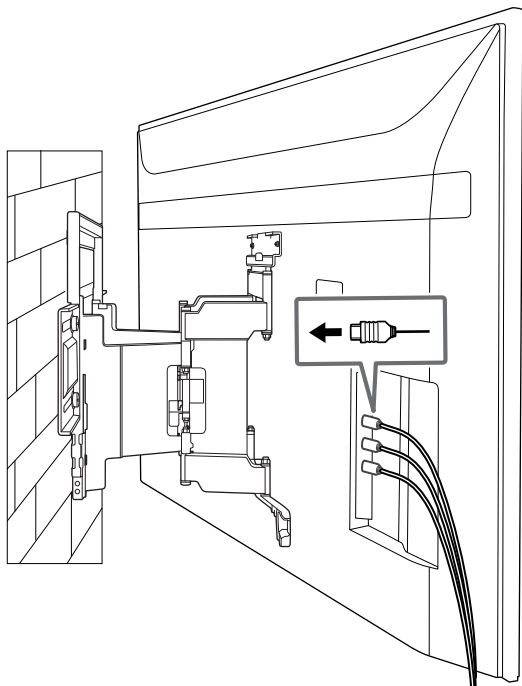
Postavljanje TV-a na zid



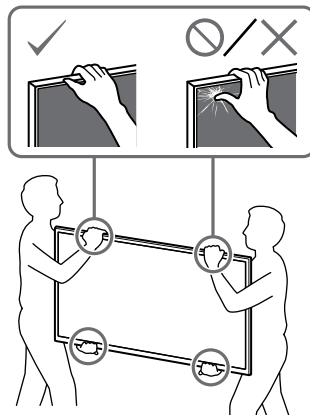
3 Zavrtnjima pričvrstite levu i desnu stranu Nosača za postavljanje na zid.



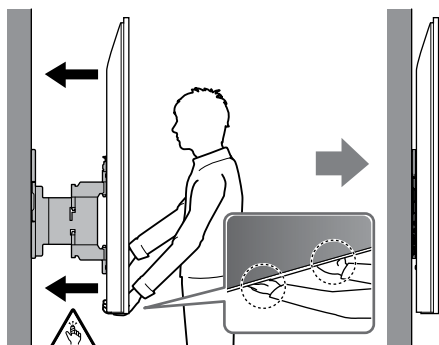
4

**UPOZORENJE**

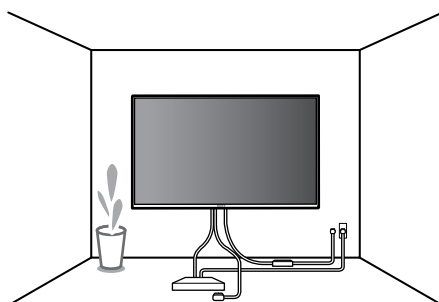
- TV treba da nose dve ili više osoba (tri ili više osoba ako je TV od 75 inča ili veći).



5 Kada pomerate TV, čvrsto ga držite sa donje strane.



6



Potvrđivanje završetka postavljanja

Proverite sledeće tačke.

- Strujni kabl i kabl nisu uvrnuti ili priklješteni.

UPOZORENJE

- Neproisno postavljanje strujnog kabla naizmenične struje, i slično, može da dovede do požara ili strujnog udara preko kratkog spoja. Obavezno proverite završetak postavljanja radi bezbednosti.

Ostale informacije

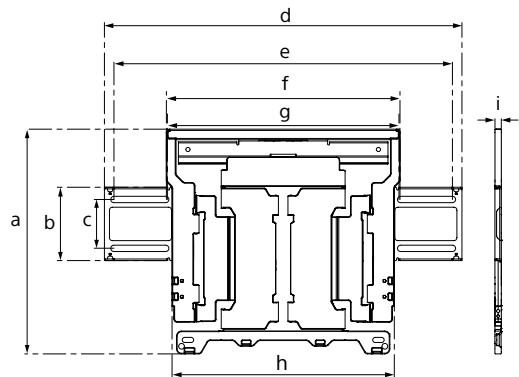
Prilikom skidanja TV-a, postupajte obrnutim redosledom od prethodnog postupka za postavljanje.

UPOZORENJE

- TV treba da uklanjaju dve ili više osoba (tri ili više osoba ako je TV 75 inča ili veći).

Specifikacije

WM1



Dimenzije: (približ.) [mm]

- a : 354
- b : 116
- c : 77
- d : 563
- e : 533
- f : 370
- g : 368
- h : 350
- i : 11

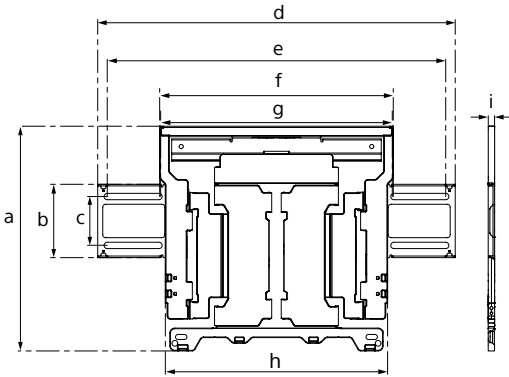
Težina (samo osnova): (približ.) [kg]

3,0

Dizajn i specifikacije podležu izmenama bez obaveštenja.

מפרט

WM1



מידות: (בערך) [מ"מ]

354 : a

116 : b

77 : c

563 : d

533 : e

370 : f

368 : g

350 : h

11 : i

משקל (בסיס בלבד): (בערך) [ק"ג]

3.0

העיצוב והמפרטים עשויים להשתנות ללא הודעה מוקדמת.

אישור השלמת ההתקנה

- בדוק את הנקודות הבעות.
- הכבל לא מסובב או צבוט.

אזהרה

- מיקום לא נכון של כבל המתח וכו' עלול לגרום לשריפה או התחשמלות כתוצאה מקצר. הקפד להשלים את ההתקנה למען הבטיחות.

מידע אחר

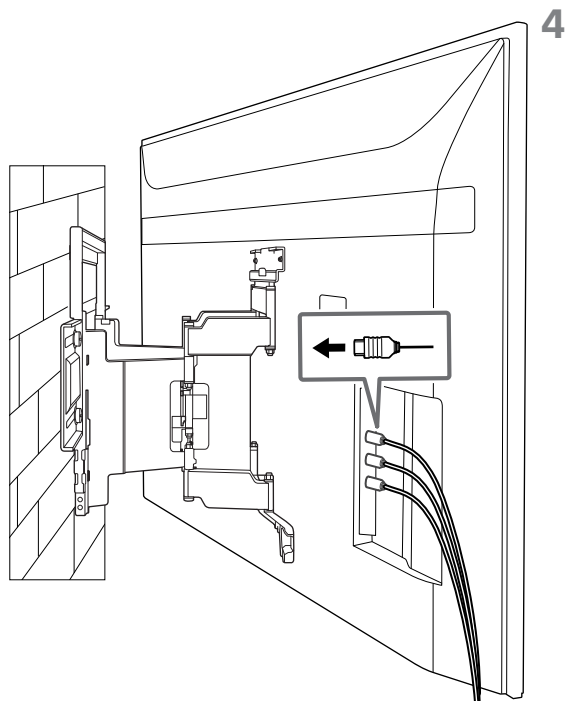
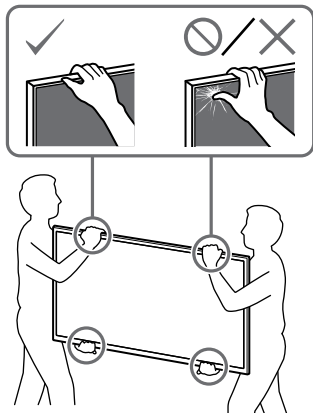
בעת הסרת הטלויזיה, בצע את תהליך ההתקנה במהופך.

אזהרה

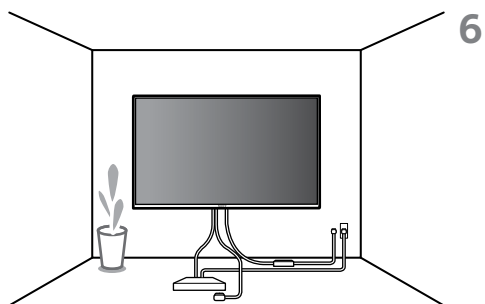
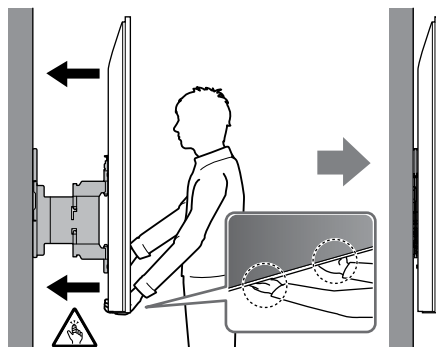
- הקפד ששני אנשים או יותר (שלושה אנשים או יותר עבור טלויזיה 75 אינץ' ומעלה) יחזיקו את הטלויזיה בעת הסרתה.

אזהרה

- הקפד ששני אנשים או יותר (שלושה אנשים או יותר עבור טלוויזיה 75 אינץ' ומעלה) יחזיקו את הטלוויזיה בעת נשיאתה.

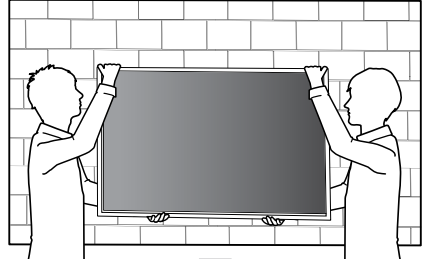
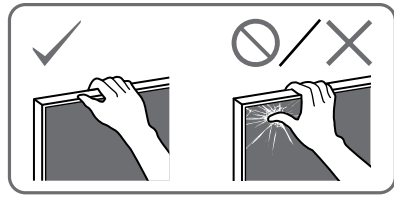


- 5 בעת העברת הטלוויזיה, יש להחזיק אותה בחוזקה מהתחתית.

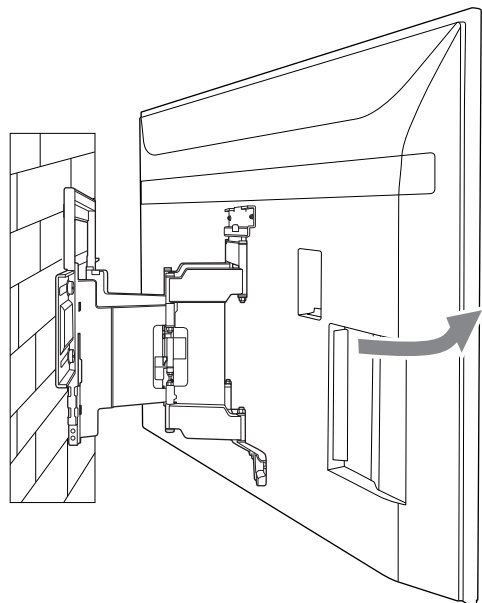
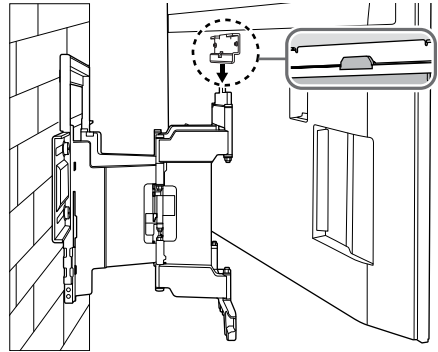


3 הברג את צד ימין ושמאל של מתלה הקיר.

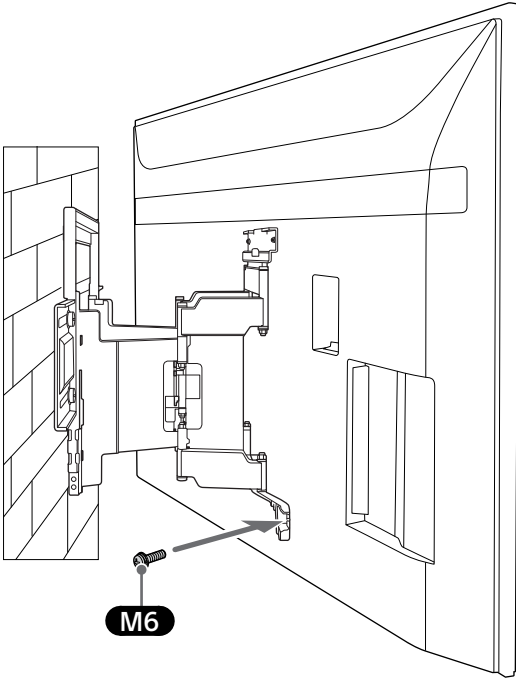
התקנת הטלויזיה על-גבי הקיר



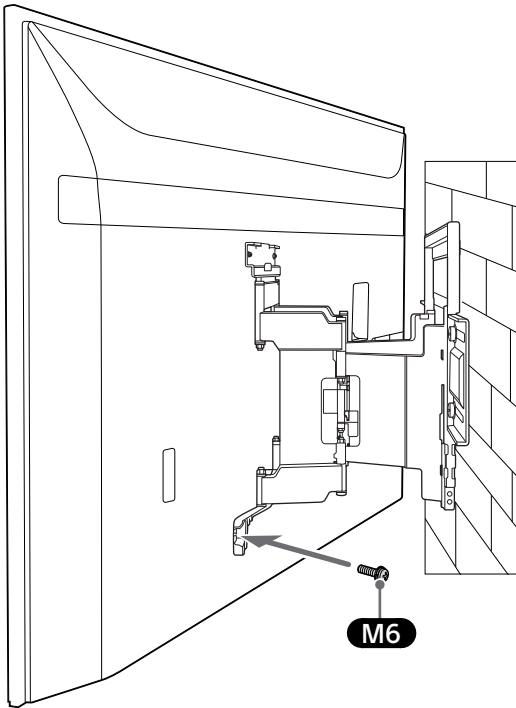
1



2

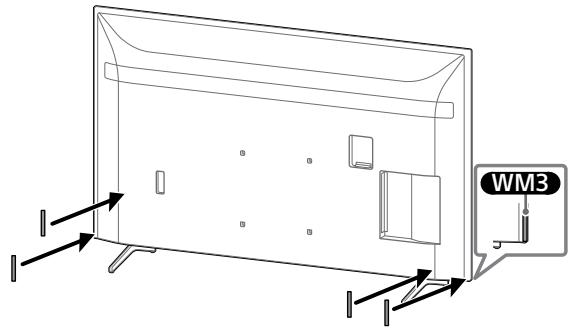


M6

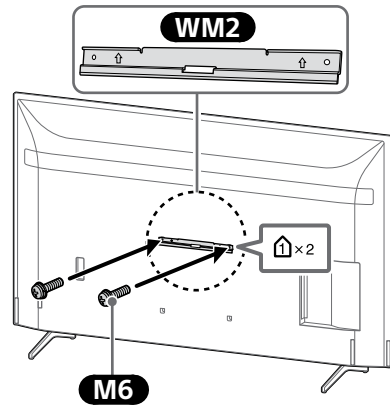


M6

3 יש להצמיד את WM3 .

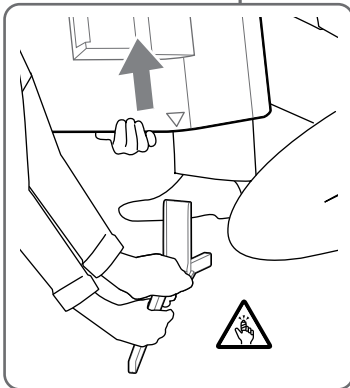
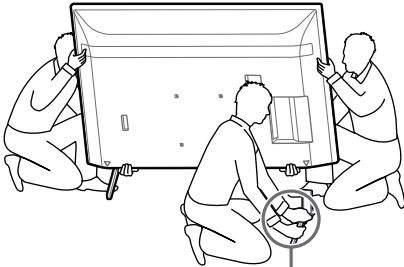


4 חבר את WM2 אל הטלוויזיה בעזרת M6 .



5 נתק את המעמד השולחני מן הטלוויזיה.

- הסר צד אחד של המעמד השולחני בכל עת. החזק את המעמד השולחני ביציבות ובצורה מאובטחת בשתי הידיים בזמן שהאנשים האחרים מרימים את הטלוויזיה.



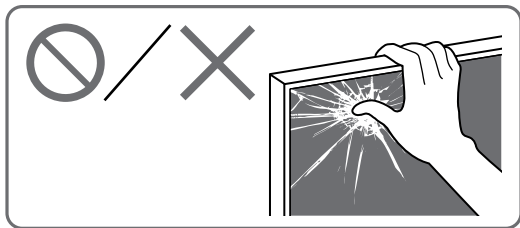
- חזור על השלב הקודם והסר את הצד השני של המעמד השולחני.

הערה

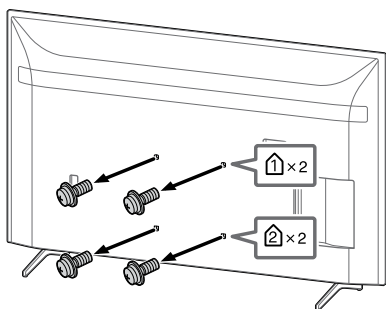
- כדי לנתק את המעמד השולחני יש צורך בשלושה אנשים או יותר.
- היזהר שלא להשתמש בכוח מופרז בעת ניתוק המעמד השולחני מהטלוויזיה מאחר והדבר עלול לגרום לטלוויזיה ליפול ולגרום לפציעה גופנית או לנזק פיזי לטלוויזיה.
- נקוט במשנה זהירות בעת הטיפול במעמד השולחני כדי למנוע נזק לטלוויזיה.
- היזהר בעת הרמת הטלוויזיה כאשר המעמד השולחני מנותק, המעמד השולחני עלול ליפול ולגרום לפציעה גופנית.
- שים-לב בעת הסרת המעמד השולחני מהטלוויזיה כדי למנוע את נפילתו, שכן, הדבר עלול לגרום נזק לפני השטח שעליו מונחת הטלוויזיה.

הכנה להתקנת הטלויזיה

הקפד לחבר את מעמד שולחני לפני התקנת הטלויזיה על הקיר באמצעות עיון מדריך הגדרה.



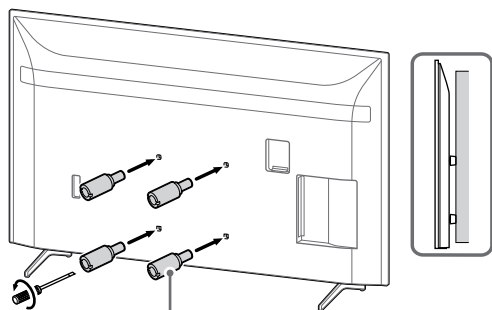
1 הסר את הברגים מהחלק האחורי של הטלויזיה.



הערה

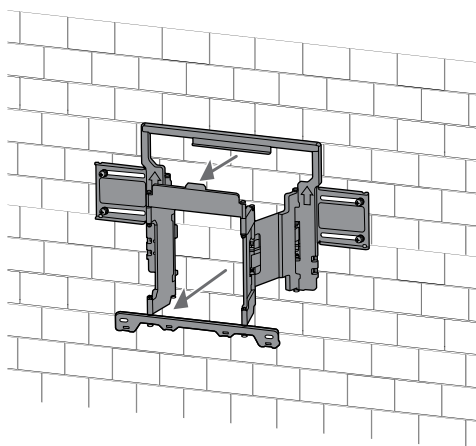
- ודא שאתה מאחסן את ברגים שהוסרו וחלקים בהם לא השתמשת במקום בטוח, הרחק מהישג ידם של ילדים.

2 חבר את אביזר המתלה הקיר (סופק עם הטלויזיה) אל החלק האחורי של הטלויזיה (כדי שתהיה מקבילה לקיר).

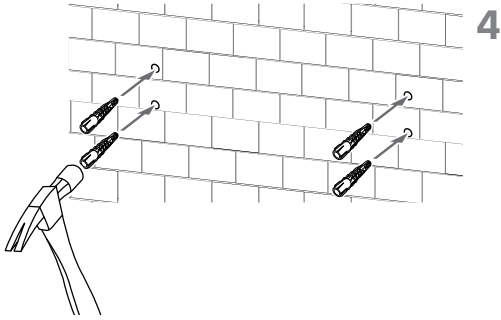
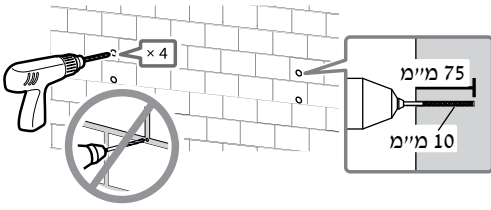


1.5 ניוטון
מטר
15 קג"כ
{ ס"מ

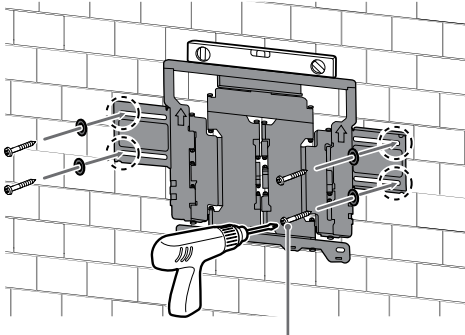
6 משוך את זרוע מתלה הקיר החוצה עד הסוף.



3 יש לקדוח חורים ראשוניים בסימונים.



5 התקן את WM1 על הקיר בעזרת ברגים מתאימים (לא סופק) ודסקיות מתאימות (לא סופק).



8 מ"מ x 60 מ"מ

הערה

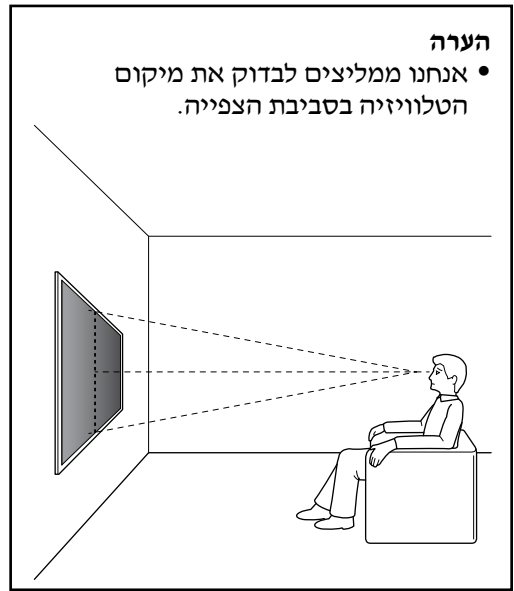
- יש להשתמש במפלס כדי לבדוק אם המתלה לקיר מיושר.

אמצעי זהירות

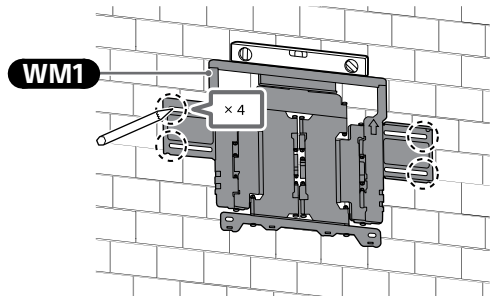
- אין להדק את בורג העץ בגודל 8 מ"מ x 60 מ"מ. הידוק באופן לא נכון עלול להפחית את כוח הנשיאה של בורג העץ בגודל 8 מ"מ x 60 מ"מ.

הערה

- אנחנו ממליצים לבדוק את מיקום הטלוויזיה בסביבת הצפייה.

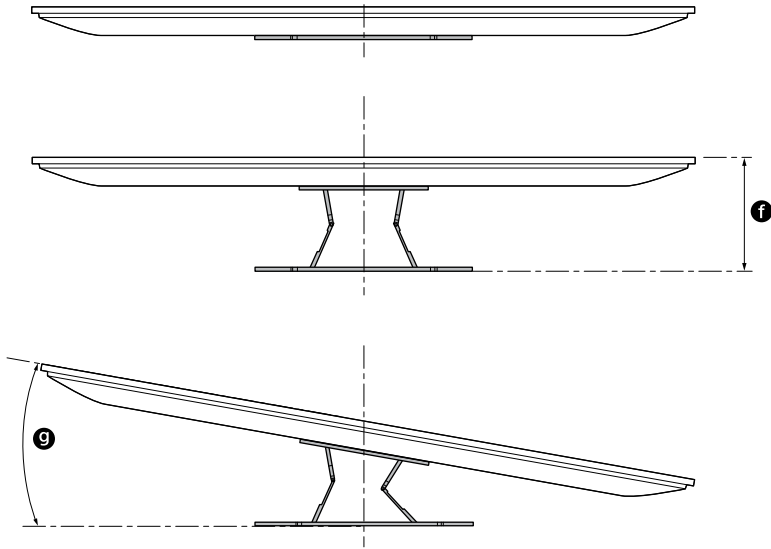


2 הצמד את WM1 על הקיר בצורה נאותה וישרה וסמן ארבעה סימונים.



הערה

- יש להשתמש במפלס כדי לבדוק אם WM1 ישר.



(מ"מ)

$g^{(e)}$ 2*	2* f	e	d	c	b	a	שם דגם
15	288	86	123	364	969	1,686	KD-75XH80xx
							KE-75XH80xx
18	287	83	59	365	841	1,462	KD-65XH81xx
							KE-65XH81xx
							KD-65XH80xx
							KE-65XH80xx
20	287	83	3	365	718	1,243	KD-55XH81xx
							KE-55XH81xx
							KD-55XH80xx
							KE-55XH80xx

טבלת המידות (מ"מ) שלמכשיר הטלויזיה לצורך התקנה
הנתונים בטבלה עשויים להשתנות במקצת בהתאם להתקנה.

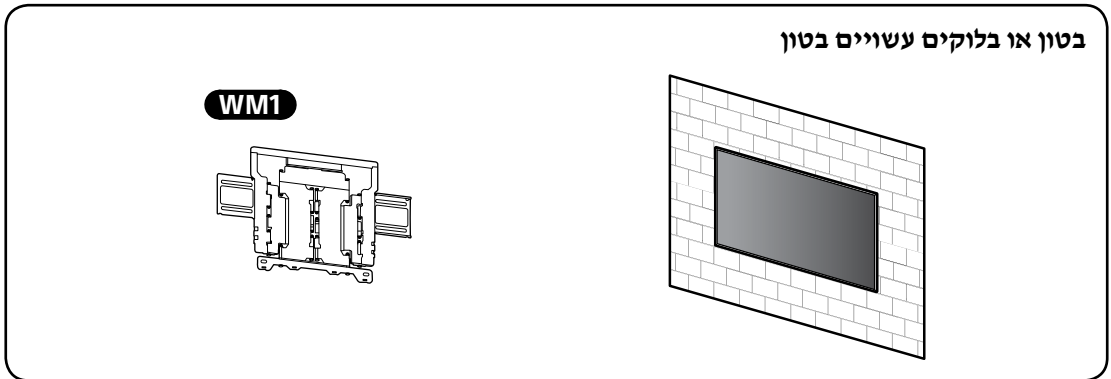
1* (מרכז המסך)

2* (בערך)

הערה

• כאשר הטלויזיה מותקנת על הקיר, החלק העליון שלה נוטה מעט לפנים.

B חיבור מתלה הקיר אל קיר בטון או אל קיר בלוקים עשויים בטון

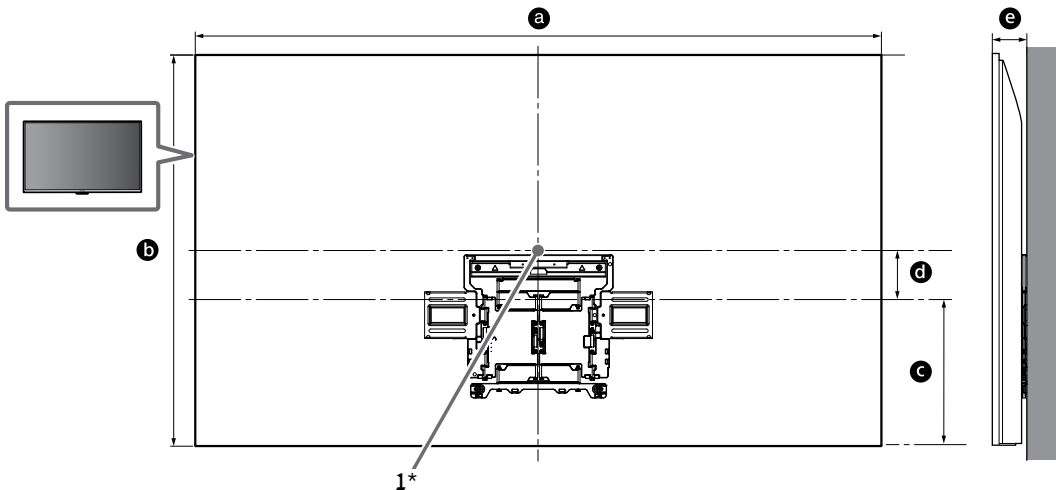


התקנת מתלה הקיר על הקיר

1 החלט על מיקום ההתקנה.

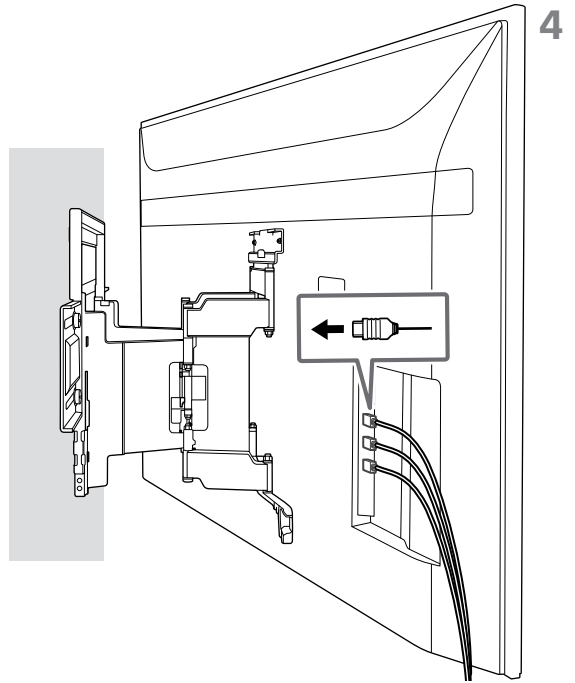
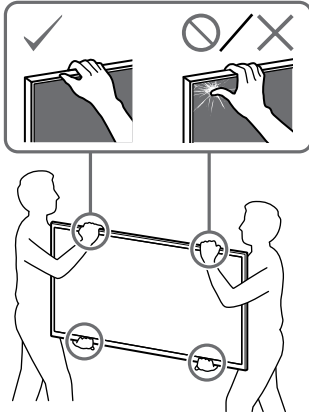
ודא שיש על הקיר מספיק מקום לאכלוס הטלויזיה ושבאפשרותו לתמוך במשקל של לפחות פי ארבעה מזה של הטלויזיה.

עיין בטבלה הבאה שעוסקת בהרכבת הטלויזיה על הקיר. לקבלת פרטי המשקל של הטלויזיה, עיין במדריך העיון.



אזהרה

- הקפד ששני אנשים או יותר (שלושה אנשים או יותר עבור טלוויזיה 75 אינץ' ומעלה) יחזיקו את הטלוויזיה בעת נשיאתה.



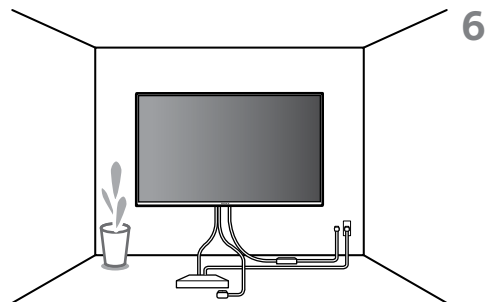
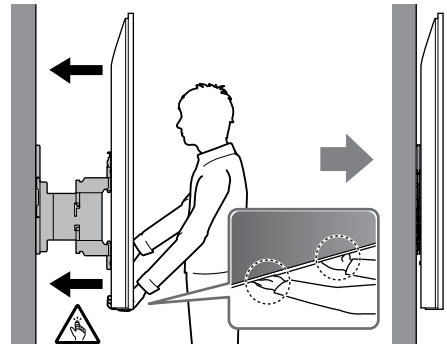
אישור השלמת ההתקנה

- בדוק את הנקודות הבעות.
- הכבל לא מסובב או צבוט.

אזהרה

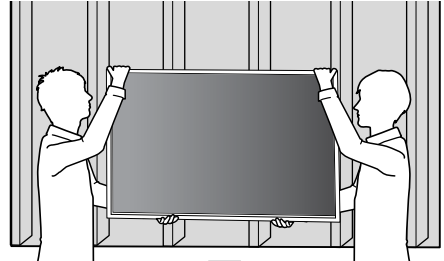
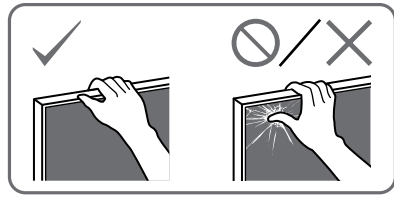
- מיקום לא נכון של כבל המתח וכו', עלול לגרום לשריפה או התחשמלות כתוצאה מקצר. הקפד להשלים את ההתקנה למען הבטיחות.

5 בעת העברת הטלוויזיה, יש להחזיק אותה בחוזקה מהתחתית.

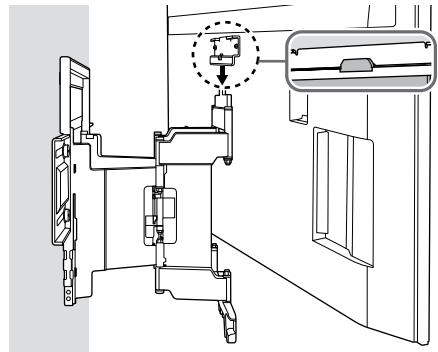


3 הברג את צד ימין ושמאל של מתלה הקיר.

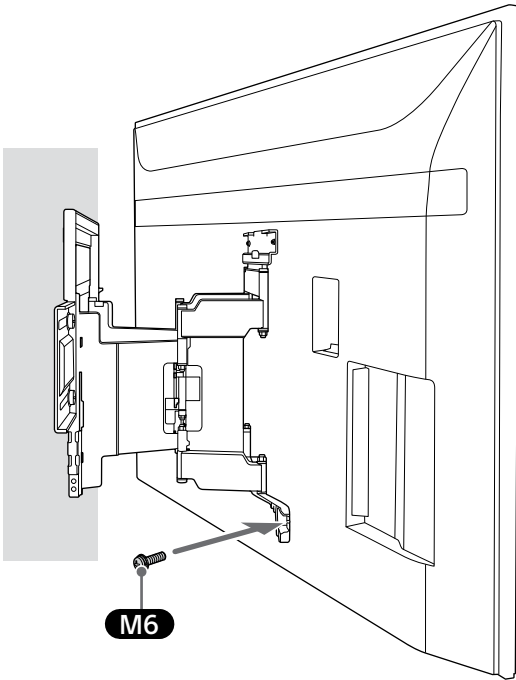
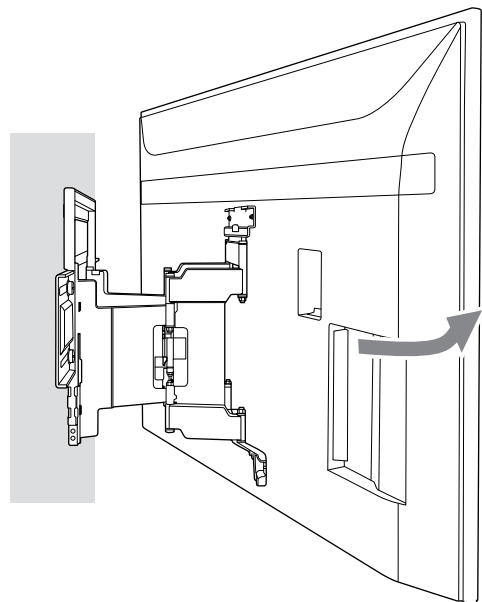
התקנת הטלויזיה על-גבי הקיר



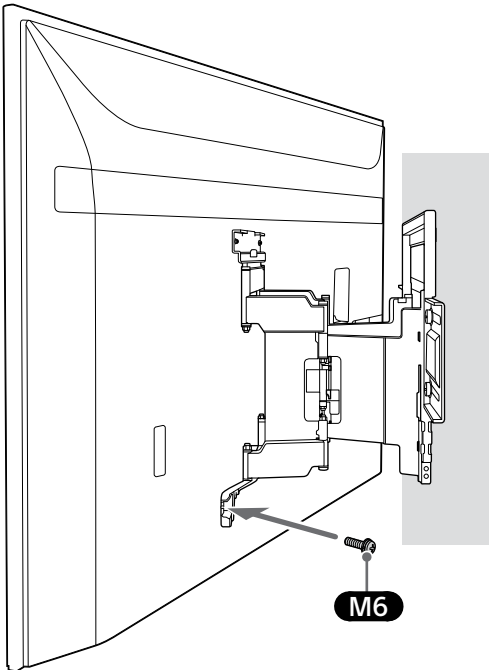
1



2



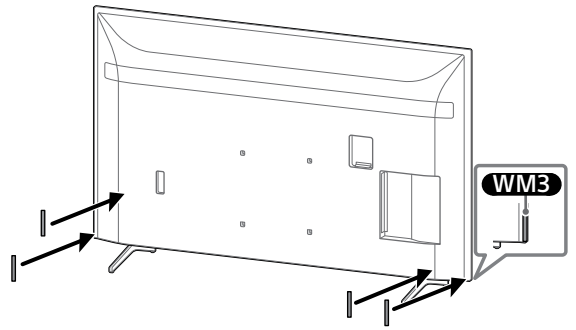
M6



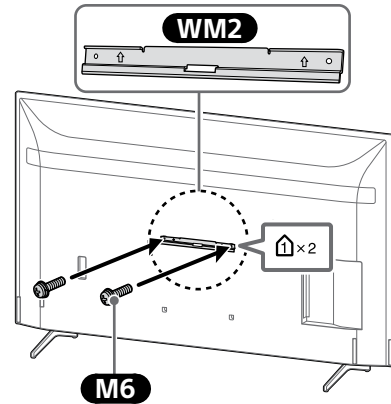
M6

HE

3 יש להצמיד את WM3 .

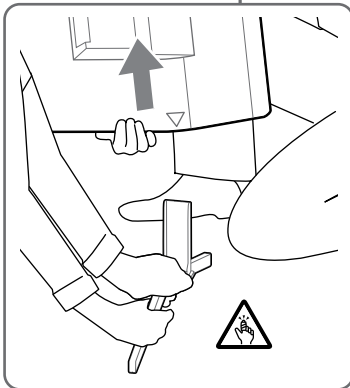
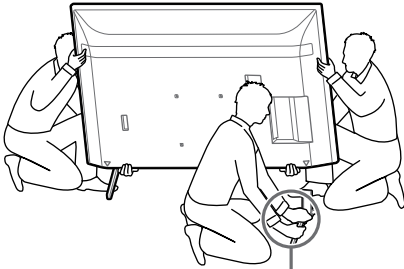


4 חבר את WM2 אל הטלוויזיה בעזרת M6 .



5 נתק את המעמד השולחני מן הטלוויזיה.

- הסר צד אחד של המעמד השולחני בכל עת. החזק את המעמד השולחני ביציבות ובצורה מאובטחת בשתי הידיים בזמן שהאנשים האחרים מרימים את הטלוויזיה.



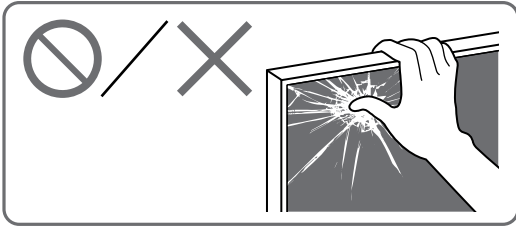
- חזור על השלב הקודם והסר את הצד השני של המעמד השולחני.

הערה

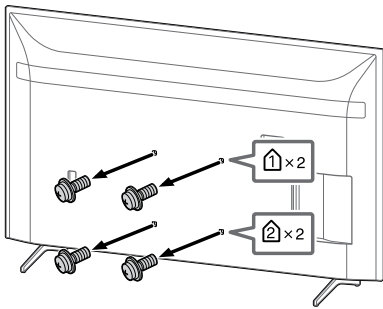
- כדי לנתק את המעמד השולחני יש צורך בשלושה אנשים או יותר.
- היזהר שלא להשתמש בכוח מופרז בעת ניתוק המעמד השולחני מהטלוויזיה מאחר והדבר עלול לגרום לטלוויזיה ליפול ולגרום לפציעה גופנית או לנזק פיזי לטלוויזיה.
- נקוט במשנה זהירות בעט הטיפול במעמד השולחני כדי למנוע נזק לטלוויזיה.
- היזהר בעת הרמת הטלוויזיה כאשר המעמד השולחני מנותק, המעמד השולחני עלול ליפול ולגרום לפציעה גופנית.
- שים-לב בעת הסרת המעמד השולחני מהטלוויזיה כדי למנוע את נפילתו, שכן, הדבר עלול לגרום נזק לפני השטח שעליו מונחת הטלוויזיה.

הכנה להתקנת הטלויזיה

הקפד לחבר את מעמד שולחני לפני התקנת הטלויזיה על הקיר באמצעות עיון מדריך הגדרה.



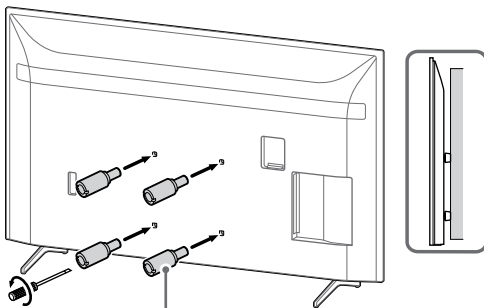
1 הסר את הברגים מהחלק האחורי של הטלויזיה.



הערה

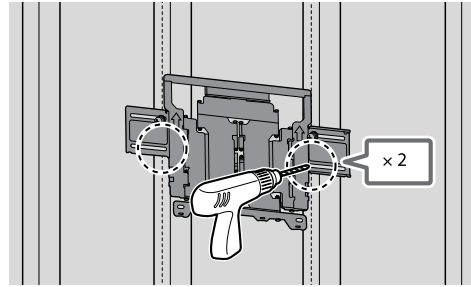
• ודא שאתה מאחסן את ברגים שהוסרו וחלקים בהם לא השתמשת במקום בטוח, הרחק מהישג ידם של ילדים.

2 חבר את אביזר המתלה הקיר (סופק עם הטלויזיה) אל החלק האחורי של הטלויזיה (כדי שתהיה מקבילה לקיר).



1.5 ניוטון מטר
15 קג"כ
{ ס"מ

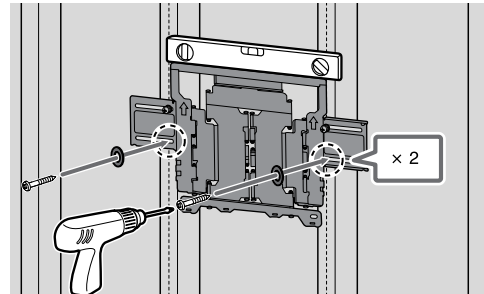
6 קדח חורים מובילים תחתונים בסימונים. (עיון בשלב 4 להוראות הקדיחה).



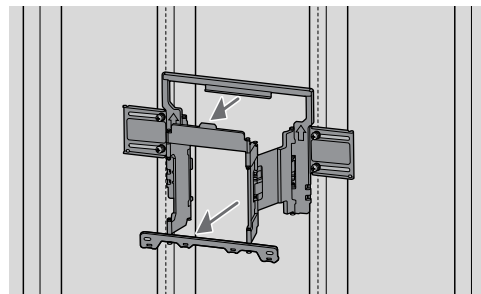
7 הרכב את הברגים והדסקיות המתאימים בחורים.

הערה

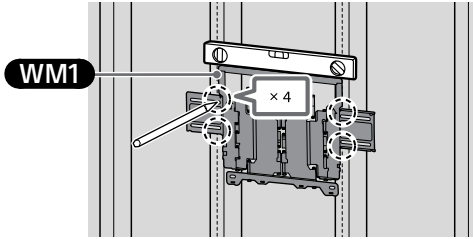
• יש להשתמש במפלס כדי לבדוק אם המתלה לקיר מיושר.



8 משוך את זרוע מתלה הקיר החוצה עד הסוף.



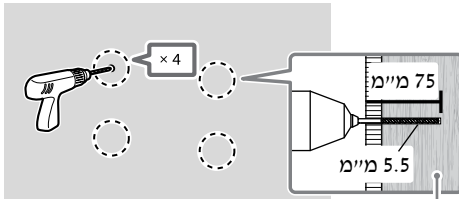
3 הצמד את **WM1** אל הקיר בצורה נאותה וישרה וסמן ארבעה סימונים על פי מיקומי הקורות התומכות.



הערה

יש להשתמש במפלס כדי לבדוק אם **WM1** ישר.

4 קדח חורים מובילים עליונים במקום הסימונים.

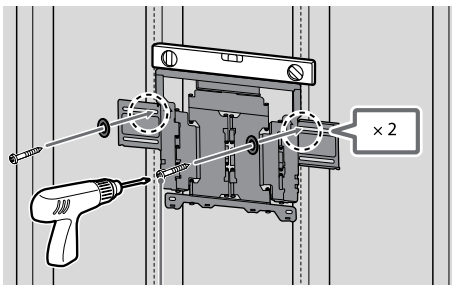


קורה תומכת או חיזוק

הערה

יש לקדוח חורים מובילים בעומק של 75 מ"מ, בעזרת ראש מקדח 5.5 מ"מ.

5 התקן את **WM1** על הקיר בעזרת ברגים מתאימים (לא סופק) ודסקיות מתאימות (לא סופק).



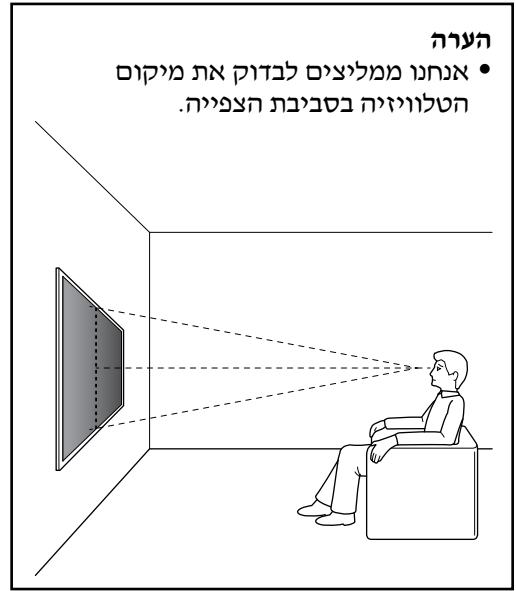
8 מ"מ x 60 מ"מ

הערה

יש להשתמש במפלס כדי לבדוק אם **WM1** ישר.

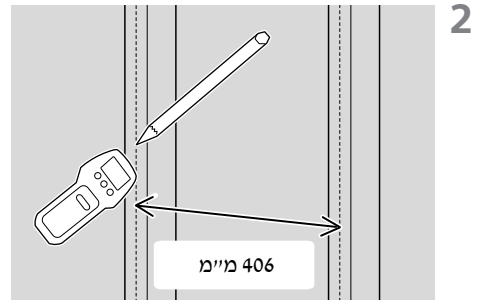
אמצעי זהירות

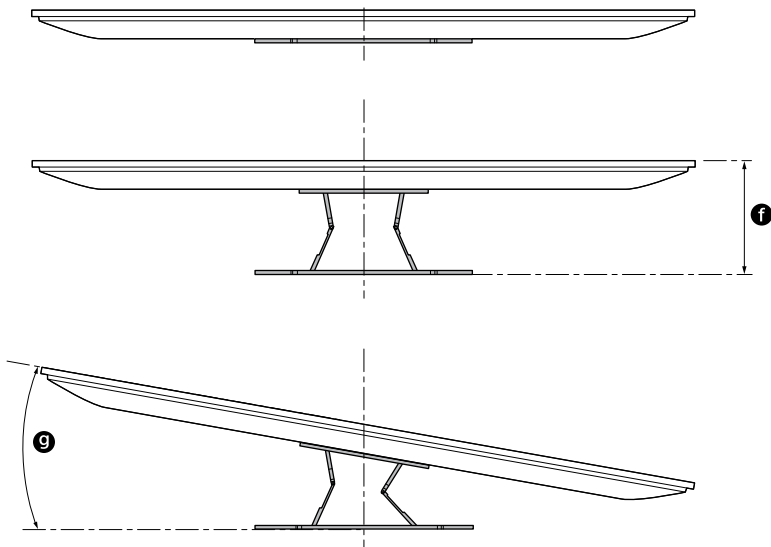
אין להדק את בורג העץ בגודל 8 מ"מ x 60 מ"מ. הידוק באופן לא נכון עלול להפחית את כוח הנשיאה של בורג העץ בגודל 8 מ"מ x 60 מ"מ.



הערה

אנחנו ממליצים לבדוק את מיקום הטלוויזיה בסביבת הצפייה.





(מ"מ)

שם דגם	a	b	c	d	e	2* f	g 2* (°)
KD-75XH80xx	1,686	969	364	123	86	288	15
KE-75XH80xx							
KD-65XH81xx	1,462	841	365	59	83	287	18
KE-65XH81xx							
KD-65XH80xx							
KE-65XH80xx							
KD-55XH81xx	1,243	718	365	3	83	287	20
KE-55XH81xx							
KD-55XH80xx							
KE-55XH80xx							

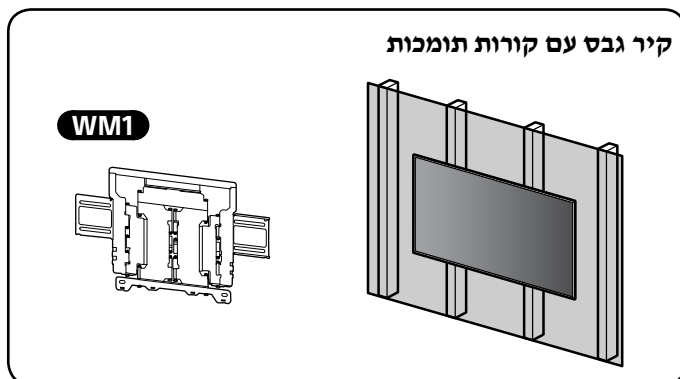
טבלת המידות (מ"מ) שלמכשיר הטלויזיה לצורך התקנה הנתונים בטבלה עשויים להשתנות במקצת בהתאם להתקנה.

1* (מרכז המסך)

2* (בערך)

הערה

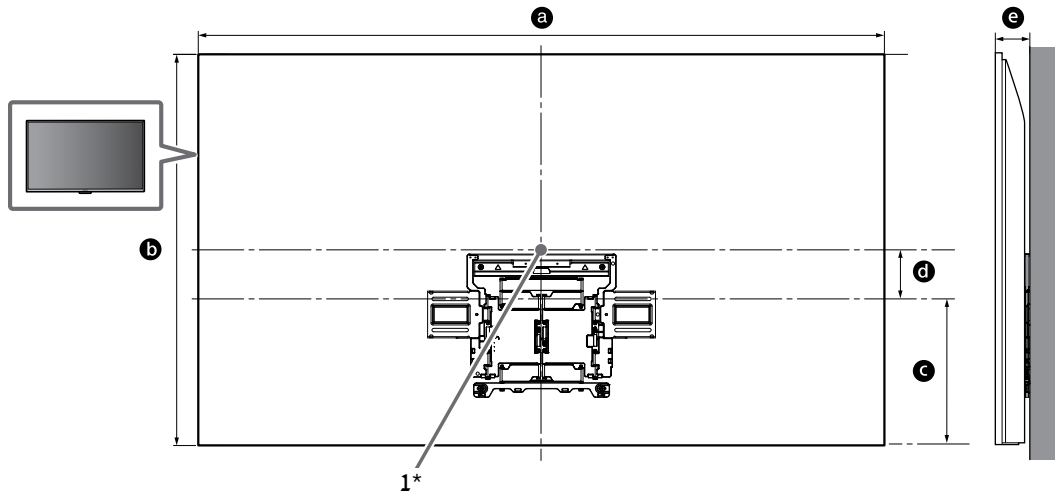
• כאשר הטלויזיה מותקנת על הקיר, החלק העליון שלה נוטה מעט לפנים.

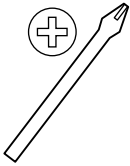
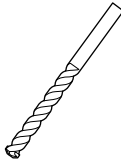
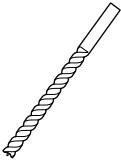






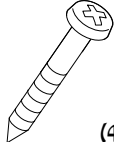

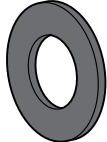


התקנת מתלה הקיר על הקיר

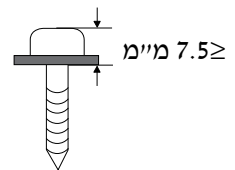
1 החלט על מיקום ההתקנה.

ודא שיש על הקיר מספיק מקום לאכלוס הטלויזיה ושבאפשרותו לתמוך במשקל של לפחות פי ארבעה מזה של הטלויזיה. עיין בטבלה הבאה שעוסקת בהרכבת הטלויזיה על הקיר. לקבלת פרטי המשקל של הטלויזיה, עיין במדריך העיון.



	 <p>10 מ"מ</p>	 <p>5.5 מ"מ</p>		<p>1*</p> 
	 <p>1.5 ניוטון מטר { 15 קג"כ ס"מ }</p>		<p>2*</p> 	
	<p>3*</p>  <p>(4) 8 מ"מ x 60 מ"מ</p>	<p>2*</p>  <p>(4)</p>	<p>3*</p>  <p>(4)</p>	

- 1* אך ורק לקירות גבס עם קורות תומכות
 2* אך ורק לקיר בטון או קיר בלוקים עשויים בטון
 3* היזהר בעת בחירת ברגים ודסקיות


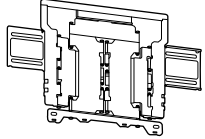

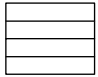
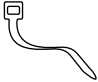


הכנה להתקנה

- לפני ההתקנה, וודא שיש לידך את מדריך העיון של הטלויזיה ואת חוברת ההדרכה להתקנת הטלויזיה.
- ודא את מיקום ההתקנה של הטלויזיה שלך.
- הכן ארבעה ברגים בקוטר 8 מ"מ וארבע דסקיות מתאימות (לא סופק).
- בחר ברגים המתאימים לחומר שממנו עשוי הקיר.

בדיקת החלקים

פריטים המסופקים עם דגם SU-WL850
• ודא שכל החלקים נמצאים.

(1) WM2 (B) 	(1) WM1 (A) 
(4) M6 (D) 	(4) WM3 (C) 
	(6) WT1 (E) 

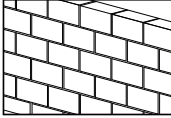
פריטים המסופקים עם הטלויזיה

VS חיבור מתלה (4) הקיר 

ראשית, בדוק את סוג הקיר עליו תותקן הטלוויזיה.

ממה עשוי הקיר שלך?

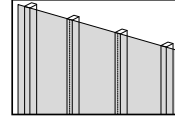
בטון או בלוקים עשויים בטון



אמצעי זהירות

- התקן את מתלה הקיר ישירות על קיר הבטון.
- ודא שעובי קיר הבטון הוא לפחות 203 מ"מ.
- ודא שגודל כל אחד מבלוקי הבטון הוא לפחות 406 x 203 x 203 מ"מ.

קיר גבס עם קורות תומכות

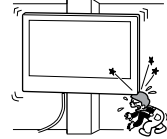


אמצעי זהירות

- עובי מרבי של קיר הגבס: 16 מ"מ.
- ודא שהגודל הפנימי של קורת העץ הוא לפחות 102 x 51 מ"מ בפועל או 89 x 38 מ"מ נומינלי.
- שמור על מרווח אופקי מינימלי של 406 מ"מ בין הברגים.

אל תתקין את מתלה הקיר על משטחי קירות שבהם פינות או צידי הטלויזיה בולטים משטח פני הקיר.

אל תתקין את מתלה הקיר על משטחי קירות כגון עמודים שבהם פינות או צידי הטלויזיה בולטים משטח פני הקיר. פגיעה של אדם או עצם כלשהו בפינה או בצד הבולטים של הטלויזיה, עלולה לגרום לפציעה או לנזק לרכוש.

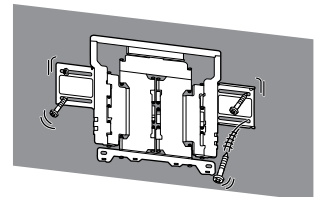


אל תתקין את הטלויזיה מעל או מתחת למזגן.

אם הטלויזיה תיחשף לנוזלות מים או לזרם אוויר ממוזגן למשך זמן ארוך, עלולה להיגרם שריפה, התחשמלות או תקלה בטלויזיה.

הקפד להתקין היטב את מתלה הקיר לקיר תוך הקפדה על ההוראות שבמדריך זה.

אם הברגים יהיו רופפים או יפלו, מתלה הקיר עלול ליפול ולגרום לפציעה או נזק לרכוש. הקפד להשתמש בברגים המתאימים לחומר שממנו עשוי הקיר והתקן את היחידה היטב באמצעות ארבעה בברגים 8 מ"מ (או שווי ערך).



הקפד להשתמש בברגים ובחלקי החיבור המסופקים בהתאם להוראות הכלולות במדריך הוראות זה. אם תשתמש בחלקים חלופיים, הטלויזיה עלולה ליפול ולגרום לפציעה גופנית או לנזק לרכוש.

הקפד להרכיב כהלכה את הזווית לפי התהליך המתואר במדריך הוראות זה.

אם הברגים יהיו רופפים או ייפלו, הטלויזיה עלולה ליפול ולגרום לפציעה גופנית או לנזק לטלויזיה.

הקפד להזק את הברגים היטב במקומם המיועד.

אם לא תעשה כן, הטלויזיה עלולה ליפול ולגרום לפציעה גופנית או לנזק לטלויזיה.

שים לב לא לזעזע את הטלויזיה במהלך ההתקנה.

זעזוע הטלויזיה עלול לגרום לנפילתה או שבירתה. פעולה זו עלולה לגרום לפציעה.

הקפד להתקין את הטלויזיה על קיר מאונך וישר.

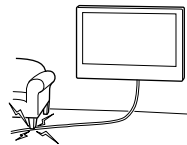
אם לא תעשה כן, הטלויזיה עלולה ליפול ולגרום לפציעה.

לאחר התנה נאותה של הטלויזיה, הזק היטב את הכבלים.

אם אנשים או עצמים ייתקלו בכבלים, עלולה להיגרם פציעה או עלול להיגרם נזק לטלויזיה.

אל תאפשר לכבל המתח או לכבל המחבר להיצט.

אם כבל המתח או הכבל המחבר צבועים בין היחידה לבין הקיר או שהם מכופפים או מסובבים בכוח, המוליכים הפנימיים עלולים להיחשף ולגרום לקצר או נתק חשמלי. דבר זה עלול לגרום לשריפה או להתחשמלות.



הברגים הנחוצים לקיבוע מתלה הקיר לקיר אינם מסופקים.

השתמש בברגים המתאימים לחומר שממנו עשוי הקיר בעת התקנת מתלה הקיר.

מתלה קיר

על בטיחות

תודה שרכשת מוצר זה.

ללקוחות

התקנת הטלוויזיה על הקיר



ללקוחות

אזהרה

אי הקפדה על אמצעי הזהירות הבאים עלולה לגרום לפציעה חמורה או מוות כתוצאה משריפה, התחשמלות או נפילת המוצר.

נדרשת התקנה מקצועית

רק מתקין מקצועי שהוכשר לקבוע את חוזק הקיר להרכבת משקל הטלוויזיה יכול להתקין מוצר זה. אם הטלוויזיה לא תאובטט כהלכה במהלך ההתקנה, היא עלולה ליפול ולגרום לחבלה חמורה. Sony אינה אחראית לכל נזק או חבלה שנגרמו בשל טיפול לא נכון או התקנה שגויה, או התקנת כל מוצר אחר שאינו צוין. זכויותיך המעוגנות בחוק (אם קיימות) לא יושפעו.

לספקים של Sony

נדרשת מומחיות על-מנת להתקין מוצר זה. קרא היטב את מדריך ההוראות הזה כדי לבצע את עבודת ההתקנה בבטחה. Sony אינה אחראית לכל נזק או פציעה שתיגרם כתוצאה מטיפול או התקנה בלתי נאותים. מסור חוברת זו ללקוח לאחר ההתקנה.

מדריך הוראות זה מראה את הטיפול הנכון במוצר ואמצעי זהירות חשובים הנחוצים למניעת תאונות. באחריותך לקרוא ולהבין לגומק את כל ההוראות שבמדריך ההוראות הזה ולבצע אותן. אם לא תעשה זאת ייתכנו חבלות גופניות חמורות או נזק לרכוש, שעלולים לבטל את האחריות. שמור את המדריך לעיון עתידי.

התכנון של מוצרי Sony מתבצע תוך מחשבה על בטיחות. שימוש לא נכון במוצרים עלול לגרום לפציעה חמורה בעקבות שריפה, התחשמלות, התהפכות המוצר או נפילתו. הקפד על נקיטת אמצעי הזהירות למניעת תאונות שכאלה.

זהירות

המוצרים המפורטים

מתלה הקיר מיועד לשימוש רק עם הטלוויזיות המפורטות. טלוויזיות, עיין ב"מדריך ההגדרה" כדי לוודא שניתן להשתמש במתלה לקיר.

הקפד שההתקנה תבוצע על-ידי סוכנים מורשים והרחק ילדים בזמן ההתקנה.

- התקנה לא נכונה של מתלה הקיר או הטלוויזיה עלולים לגרום לתאונות הבאות. הקפד שההתקנה תבוצע על-ידי קבלנים מורשים.
- הטלוויזיה עלולה ליפול ולגרום לפציעה חמורה כגון חבורה או שבר.
- אם הקיר שעליו מותקן מתלה הקיר אינו יציב, אינו אחיד או אינו מאונך לרצפה, היחידה עלולה ליפול ולגרום לפציעה או נזק לרכוש. הקיר צריך לתמוך במשקל של לפחות פי שישה ממשקל הטלוויזיה. (יש לעיין ב"מדריך ההגדרה" של הטלוויזיה לבדיקת משקלה).
- אם התקנת מתלה הקיר על הקיר אינה מספיק איתנה, היחידה עלולה ליפול ולגרום לפציעה או נזק לרכוש.

הקפד שהעברת הטלוויזיה או הסרתה תבוצע על-ידי קבלנים מורשים.

אם העברת הטלוויזיה או הסרתה תבוצע על-ידי אנשים קבלנים מורשים, היא עלולה ליפול ולגרום לפציעה או נזק לרכוש. הקפד ששני אנשים או יותר (שלושה אנשים או יותר עבור טלוויזיה 75 אינץ' ומעלה) יישאו או יורידו את הטלוויזיה.

אל תסיר ברגים וכו' לאחר תליית הטלוויזיה.

אם תעשה כן, הטלוויזיה עלולה ליפול ולגרום לפציעה או נזק לרכוש.

אל תבצע שינויים לחלקים של מתלה הקיר.

אם תעשה כן, מתלה הקיר עלול ליפול ולגרום לפציעה או נזק לרכוש.

את תתלה ציוד זולת המוצר המפורט.

מתלה הקיר מיועד לשימוש רק עם המוצר המפורט. אם תתלה ציוד השונה מזה שפורט, הוא עלול ליפול או להישרר ולגרום לפציעה או נזק לרכוש.

אל תתלה שום עומס זולת הטלוויזיה על מתלה הקיר. אל תטלטל את הטלוויזיה שמאלה/ימינה, למעלה/למטה.

אם תעשה כן, הטלוויזיה עלולה ליפול ולגרום לפציעה או נזק לרכוש.

אל תישען על הטלוויזיה או תתלה ממנה.

אל תישען על הטלוויזיה או תיתלה עליה שכן היא עלולה ליפול ולגרום לפציעה חמורה.

זהירות

אי הקפדה על אמצעי הזהירות הבאים עלולה להוביל לפציעה או נזק לרכוש.

- יש להיזהר שלא לצבוט את אצבעותיך בעת טיפול במתלה לקיר או בעת סיבוב הטלוויזיה.
- יש להיזהר בעת סיבוב מכשיר הטלוויזיה על מנת שלא לפגוע באנשים הנמצאים בקרבתה.
- יש לוודא שאתה מאחסן חלקים לא נחוצים במקום בטוח לשימוש עתידי. יש להרחיק אותם מילדים.

אין לטפל המוצר בכוח מופרז במהלך הניקוי או התחזוקה.

אל תפעיל כוח מופרז על החלק העליון של הטלוויזיה. אם תעשה כן, הטלוויזיה עלולה ליפול ולגרום לפציעה או נזק לרכוש.

אמצעי זהירות

- אם תשתמש בטלוויזיה המתוקנת על מתלה קישר למשך זמן רב, צבע הקיר מאחורי או מעל לטלוויזיה עלול לשנות את צבעו או שהטפט עלול להתנתק מהקיר, בהתאם לחומר שממנו עשוי הקיר.
- הסרת מתלה הקיר לאחר התקנתו תשאיר חורי ברגים בקיר.
- אין להשתמש במתלה הקיר במקום הנתון לרעידות מכניות.

התקנת מתלה הקיר

לספקים של Sony

אזהרה

ההוראות הבאות מיועדות לספקי Sony בלבד. הקפד לקרוא את אמצעי הזהירות המתוארים למעלה ושים לב במיוחד לבטיחות במהלך ההתקנה, התחזוקה והבדיקה של מוצר זה.

מידע להתקנה לשימוש במתלה קיר (SU-WL850) של Sony

דגמים נתמכים*:

KD-75XH80xx / 65XH81xx / 65XH80xx / 55XH81xx / 55XH80xx

KE-75XH80xx / 65XH81xx / 65XH80xx / 55XH81xx / 55XH80xx

* בשמות הדגמים בפועל, "xx" מצייין מספרים ו/או תווים ספציפיים לכל דגם.

ללקוחות

להגנה על המוצר ומטעמי בטיחות, Sony ממליצה מאוד שהתקנת הטלוויזיה תבוצע על-ידי סוכנים או קבלנים מורשים של Sony. אל תנסה לבצע את ההתקנה בעצמך.

לסוכני Sony וקבלנים

יש להקפיד על בטיחות מלאה במהלך ההתקנה, פעילויות תחזוקה שגרתיות ובדיקות של המוצר.

נדרשת מומחיות מספקת להתקנת המוצר, בייחוד לצורך קביעת חוזק הקיר לנשיאת משקל הטלוויזיה. יש להקפיד שחיבור המוצר לקיר יבוצע על-ידי סוכני Sony או קבלנים מורשים שלה, ולהקפיד על בטיחות נאותה במהלך ההתקנה. Sony אינה אחראית לנזקים או פגיעות גופניות שנגרמים בשל טיפול שגוי או התקנה לא הולמת.

לשם בטיחות ולהתקנה נכונה, יש לבצע את ההוראות שבמדריך ההתקנה של התושבת להתקנה על הקיר, את ההנחיות שבחוברת ההדרכה להתקנת הטלוויזיה, ואת ההוראות של מדריך זה.