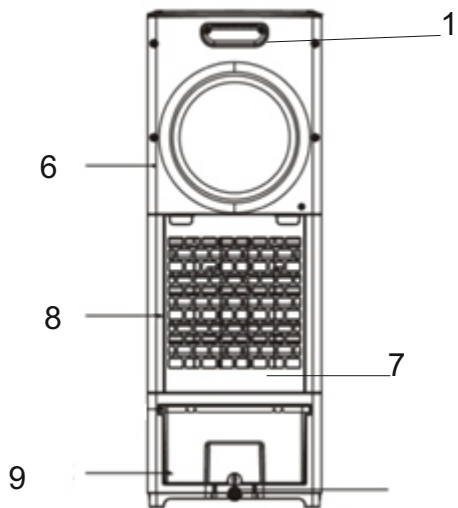
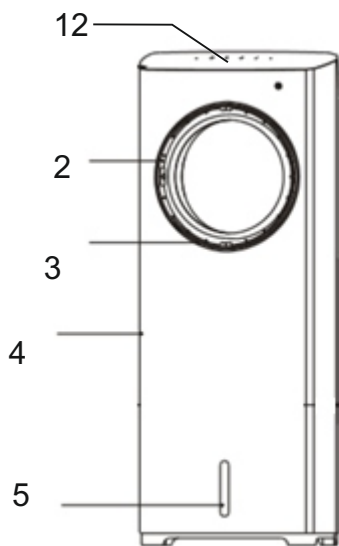


mesko

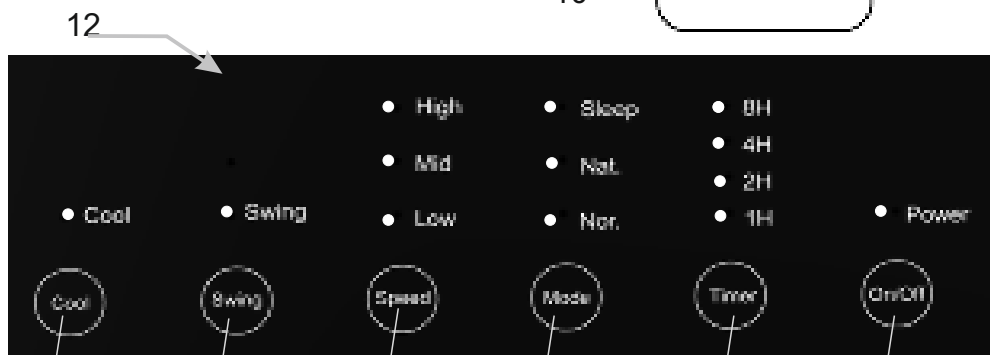
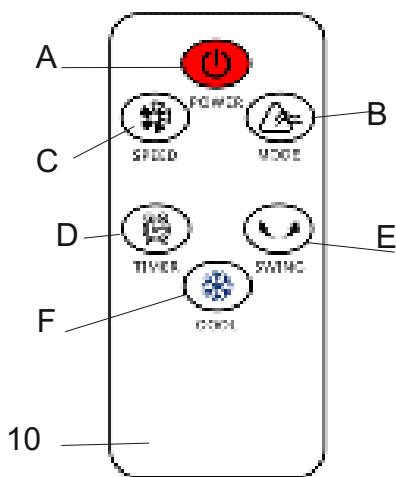
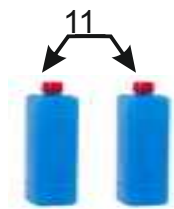


MS 7856

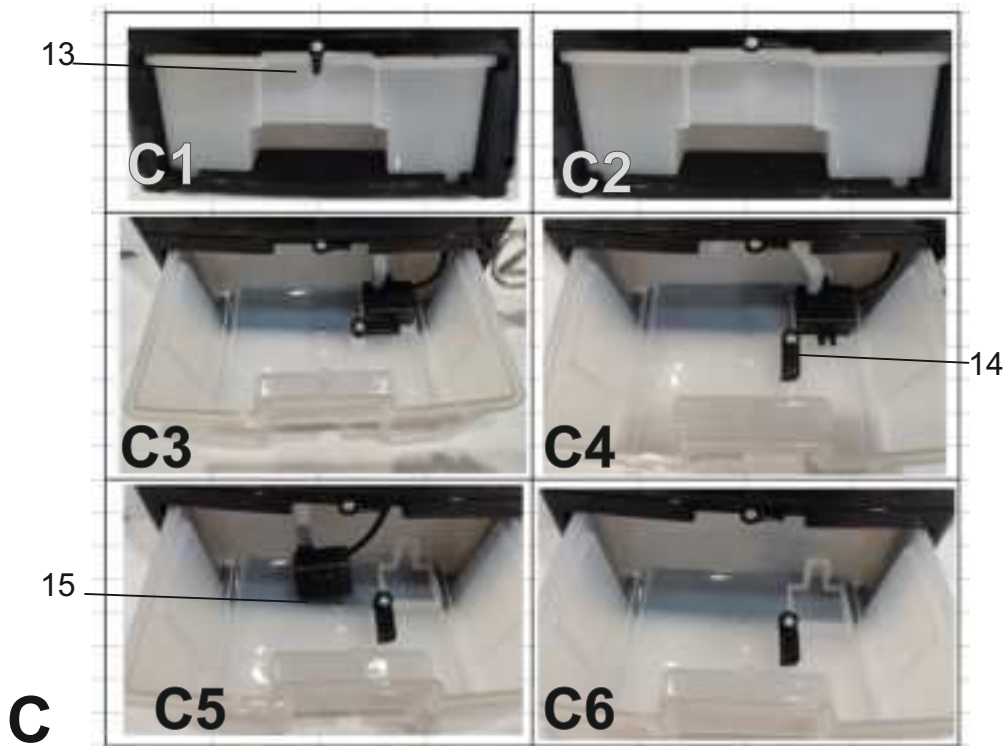
- | | |
|--------------------------------------|-------------------------------------|
| (GB) user manual - 4 | (BS) upute za rad - 33 |
| (D) bedienungsanweisung - 7 | (H) felhasználói kézikönyv - 37 |
| (F) mode d'emploi - 10 | (FIN) käyttöopas - 40 |
| (E) manual de uso - 14 | (NL) handleiding - 57 |
| (P.) manual de serviço - 17 | (HR) upute za uporabu - 49 |
| (LT) naudojimo instrukcija - 21 | (RUS) инструкция обслуживания - 43 |
| (LV) lietošanas instrukcija - 24 | (SLO) navodila za uporabo - 46 |
| (EST) kasutusjuhend - 27 | (I) istruzioni per l'uso - 52 |
| (CZ) návod k obsluze - 54 | (DK) brugsanvisning - 76 |
| (RO) Instrucțiunea de deservire - 30 | (UA) інструкція з експлуатації - 79 |
| (GR) οδηγίες χρήσεως - 61 | (SR) korisničko uputstvo - 73 |
| (SK) používateľská príručka - 70 | (S) instruktionsbok - 67 |
| (MK) упатство за корисникот - 64 | (PL) instrukcja obsługi - 84 |
| (AR) دليل التعليمات - 87 | (BG) Инструкция за употреба - 90 |



A



B



E



ENGLISH

SAFETY CONDITIONS. IMPORTANT INSTRUCTIONS ON SAFETY OF USE PLEASE READ CAREFULLY AND KEEP FOR FUTURE REFERENCE

The warranty conditions are different, if the device is used for commercial purpose.

1. Before using the product please read carefully and always comply with the following instructions. The manufacturer is not responsible for any damages due to any misuse.
2. The product is only to be used indoors. Do not use the product for any purpose that is not compatible with its application.
3. The applicable voltage is 220-240V, ~50Hz. For safety reasons it is not appropriate to connect multiple devices to one power outlet.
4. Please be cautious when using around children. Do not let the children to play with the product. Do not let children or people who do not know the device to use it without supervision.
5. **WARNING:** This device may be used by children over 8 years of age and persons with reduced physical, sensory or mental capabilities, or persons without experience or knowledge of the device, only under the supervision of a person responsible for their safety, or if they were instructed on the safe use of the device and are aware of the dangers associated with its operation. Children should not play with the device. Cleaning and maintenance of the device should not be carried out by children, unless they are over 8 years of age and these activities are carried out under supervision.
6. After you are finished using the product always remember to gently remove the plug from the power outlet holding the outlet with your hand. Never pull the power cable!!!
7. Never leave the product connected to the power source without supervision. Even when use is interrupted for a short time, turn it off from the network, unplug the power.
8. Never put the power cable, the plug or the whole device into the water. Never expose the product to the atmospheric conditions such as direct sun light or rain, etc.. Never use the product in humid conditions.
9. Periodically check the power cable condition. If the power cable is damaged the product should be turned to a professional service location to be replaced in order to avoid hazardous situations.
10. Never use the product with a damaged power cable or if it was dropped or damaged in any other way or if it does not work properly. Do not try to repair the defected product yourself because it can lead to electric shock. Always turn the damaged device to a professional service location in order to repair it. All the repairs can be done only by authorized service professionals. The repair that was done incorrectly can cause hazardous situations for the user.
11. Never put the product on or close to the hot or warm surfaces or the kitchen appliances like the electric oven or gas burner.

12. Never use the product close to combustibles.
13. Do not let cord hang over edge of counter.
14. Do not immerse the motor unit in water.
15. To provide additional protection, it is advisable to install a residual current device (RCD) in the electric circuit with a rated residual current not exceeding 30mA. Ask an electrician for this.
16. Do not insert fingers or any other objects in the housing grille of the device.
17. Do not block the outlet.
18. When done, prior to putting it away, drain water from the device.
19. If the device is not used for a long time, unplug it from the power source.
20. Always use new batteries to replace the drained batteries in the remote control.
21. Do not move the device when the inner tank is filled with water.
22. Do not place any objects on the device.
23. The device can be used only with properly working ventilation.

Before first use

1. It should be remembered that a high level of humidity may favor the development of biological organisms in the environment.
2. Do not get wet the device or wet the area around the device. If moisture appears, reduce the efficiency of the humidifying function.
3. Do not allow absorbent materials such as carpets, curtains, tablecloths to get wet.
4. Never leave water in the tank when the device is not in use.
 - WARNING: When the water is not replaced and the tank is not properly cleaned every 3 days, microorganisms that may be present in the water or in the environment where the device is used or stored may develop in the water tank and be blown out to the surroundings. This can cause a very serious health risk.
 - WARNING: Every three days, empty the water tank and top up with clean water. Before refilling, clean the tank with fresh tap water or using detergents. Remove any scale, deposits or film that has formed on the sides of the tank and on the interior surfaces. After washing, wipe all surfaces dry.
5. When the device is used for the first time the device's motor may produce an odor which will dissipate within a week of use. There is no required your action in this case.

PRODUCT DESCRIPTION Bladeless air cooler Ms7856

- | | |
|--|-----------------------|
| 1. Handle | 2. Air outlet |
| 3. Handle to manual up / down air flow direction control | 4. Front housing |
| 5. Water level gauge | 6. Back housing |
| 7. Back cover with net | 8. Evaporation filter |
| 9. Water tank | 10. Remote control |
| 11. Ice boxes | 12. Control panel |
| 13. Water tank lock | 14. Pump latch |
| 15. Pump | 16. Cover's recess |
| 17. Filter latches | |

Remote control & Control panel – picture B

- | | |
|----------------------|------------------------|
| A – power button | B – mode button |
| C – fan speed button | D – timer button |
| E – timer button | F – wet cooling button |

OPERATION

A noticeable reduction in the temperature of the outlet air occurs after putting into the water tank (9) the plastic containers (11) included to the product. The plastic containers should be previously frozen in the freezer for few hours. It is recommended to fill the plastic container (11) with cold tap water and do not exceed MAX level marked on the plastic container. The content of plastic container is prohibited to edible. Keep away from children.

1. Place the device on a dry, flat surface. If the surface is not flat, the device can start vibrate and get abnormal noise.
2. Rotate to flat position the water tank lock (13) as shown at pictures C1 and C2. Then, pull out a little the water tank (9) from the back of the device. Use the jug to pour clear, cold water, be careful not to exceed the maximum level marked at water level gauge (5) at front of device. You can pour water w/o pulling out the water tank completely. During filling and cleaning, disconnect the device from the mains.
3. To remove water tank completely look at picture C3-C6. At first remove the pump (15) by releasing one pump latch (14) and pull out the water tank (8). Do not pull out the pump, let it stay connected to main housing. When you place the water tank (9) back take attention to not squeeze the water pipes connected to the pump. After water pouring, turn the water tank lock (13) to horizontal position. Do not tilt the device after pouring the water to water tank. Do not remove water tank while the device is plug in power supply.
4. Connect the plug to power supply. Now can be used control panel (12) or remote control (10) to operate the device (figure B). Turn on the device by pressing the power button (A). Press the button (A) again to switch off the device.

5. The button SPEED (C) allows you to change the speed of the fan. The following speeds can be selected: high, middle and slow. The corresponding diode on the control panel will light up.
 6. The air humidification function is operated by COOL button (F), it lowers the temperature of the air by running the water pump. Press the button (F) when there is water inside water tank ONLY, the corresponding diode will light up on the control panel (12). Additionally, a set of two plastic containers (11) is attached. Plastic containers (11) should be filled by cold, tap water and do not exceed maximum level. Next, put them on several hours inside the freezer. Then put one or both of containers into water tank (9). To blow the wet cool air, the device must be filled with water. When the device is operating, periodically check the water level to see whether to add water. Press button (F) again to turn off the wet cold air blowing.
 7. Pressing the oscillation function by pressing the SWING button (E) to provide even distribution of cold air stream in left and right direction. The corresponding diode will light up at control panel (12).
 8. The TIMER button (D) allows for programming the amount of operation time with 1 hour decrements from 1 to 8 hours. Repeated pressing of this button will light up a combination of diodes at control panel (12). The sum of lighted up diodes marking means chosen period the device will operate before switching off the device automatically.
 9. The MODE button (B) allows for changing between one of 3 blowing modes:
normal wind, natural wind and sleep mode. Chosen mode diode will light up at control panel (12).
 - a) Normal Mode: allows the user to manually adjust the speed of fan between high, medium and low.
 - b) Natural Mode: mimics the natural wind action by repeating the fan speed sequence:
* When choose the low fan speed, the device blows out and repeats below cycle: low 4 seconds + stop 2 second + middle 4 seconds + low 6 seconds + middle 4 seconds + stop 2 seconds + high 2 seconds + low 6 seconds + middle 4 seconds + low 4 seconds + middle 2 seconds + low 4 seconds + middle 4 seconds + low 4 seconds + stop 2 seconds + high 2 seconds + low 4 seconds + middle 2 seconds.
* When choose the middle fan speed, the device blows out and repeats below cycle: low 4 seconds + middle 6 seconds + low 2 seconds + high 2 seconds + stop 2 seconds + middle 4 seconds + low 4 seconds + middle 4 seconds + low 2 seconds + middle 4 seconds + low 4 seconds + high 2 seconds + stop 2 seconds + middle 4 seconds + low 4 seconds + high 4 seconds + stop 2 seconds + middle 4 seconds + high 4 seconds.
* When choose the fast fan speed, the device blows out and repeats below cycle: high 4 seconds + stop 2 seconds + middle 4 seconds + high 4 seconds + low 4 seconds + high 2 seconds + middle 4 seconds + high 4 seconds + stop 2 seconds + middle 4 seconds + high 6 seconds + low 4 seconds + high 4 seconds + middle 4 seconds + low 4 seconds + high 4 seconds + middle 4 seconds.
 - c) Sleep Mode: was designed to use the effects of Natural Mode to fall asleep. It will gradually decrease the speed of the fan in 30 minute increments:
* When choose the low fan speed: the fan will run the same as low speed Natural Mode.
* When choose the middle fan speed: the fan will blow 30 minutes at middle speed Natural Mode then switch to low speed Natural Mode.
* When choose the high fan speed: the fan will blow 30 minutes at high speed Natural Mode, next it will switch for 30 minutes at medium speed Natural Mode, then it will switch to low speed Natural Mode.
- REMARK: If you prefer a constant fan speed whilst sleeping, we recommend setting the fan to Normal Mode and selecting low speed. Use the timer function to set the fan to switch off after an elapsed time (e.g. 1 hour after you are going to bed).

CLEANING AND MAINTENANCE

Always unplug the device before you start to clean or add/ drain water or movement of device.

1. After finishing operation, before storing the device for longer time, empty the water tank and clean it and the entire device.
2. Clean with soft, dry cloth. Do not use chemical solvents because they can cause permanent damage or deformation of the device.
3. If the device is not used for three or more months, take the batteries out of the remote control.
4. After long time operation, the cover with net (7) and evaporation filter (8) may be clogged with the dust, which will greatly affect the device's performance of cooling. If long time the water is no exchanged, there may be mold. We suggest to clean the cover with net (7) and filter (8) once each 10 days. The filter (8) clean procedure is as below:
 - a) Unplug the device, pull the back cover (7) by both recess (16) to remove it – look at picture D. To remove the evaporation filter (8) pull back the filter latch (17), the plastic is flexible and will allow you to take out the evaporation filter (8).
 - b) Clean the evaporation filter (8) by using a vacuum cleaner. The cover with net (7) should not be rub with hands to avoid net deformation.
 - c) Put the filter (8) and the cover with net (7) back in place.
 - d) Make sure the water tank (8), the filter (5) and the cover with net (7) are replaced in correct position before switching on again. Before seasonal storage make sure all parts are dry by running the fan mode for 2 hours or shorter to make sure the filter (5) is dry completely.
4. Drain the water before seasonal storage by removing the water tank (chapter Operation - point 2). Use mild soap and water to clean the water tank. Then dry the device and water tank completely to avoid the moisture damage.
5. Drain the water from the plastic containers (11) before storage.
6. Cover the device by plastic bag to protect against the dust and coil the power cord. Storage the device in dry place out of direct sunlight.
7. Clean the device and water tank before next use.

DESCALING

1. Perform the descaling procedure in accordance with the instructions of the descaling agent specified by the manufacturer.
2. Use descaling agents intended for this purpose.
3. Carry out the descaling procedure at least every 3 months.
4. Descal the water tank only when the device turned off.

TECHNICAL DATA:

Power supply 220-240V ~50-60 Hz

Power: 80 W
Power Max: 350 W
Tank capacity: 2 liters
Water Consumption: 230 ml / hour
Battery: CR2025 (3V)
Noise level: 59,4dB
Airflow volume: 188,4m³/h
Product dimensions: 18,6 x 25,5 x 62,5 cm



To protect your environment: please separate carton boxes and plastic bags and dispose them in corresponding waste bins. Used appliance should be delivered to the dedicated collecting points due to hazardous components, which may effect the environment. Do not dispose this appliance in the common waste bin.

DEUTSCH

SICHERHEITSBEDINGUNGEN. WICHTIGE HINWEISE ZUR SICHERHEIT DES GEBRAUCHS

BITTE SORGFÄLTIG LESEN UND FÜR ZUKÜNFTIGE BEZUG AUFBEWAHREN

Die Garantiebedingungen gelten abweichend, wenn das Gerät gewerblich genutzt wird.

1. Bevor Sie das Produkt verwenden, lesen Sie bitte die folgenden Anweisungen sorgfältig durch und befolgen Sie sie immer. Der Hersteller haftet nicht für Schäden aufgrund von Missbrauch.
2. Das Produkt darf nur in Innenräumen verwendet werden. Verwenden Sie das Produkt nicht für einen Zweck, der nicht mit seiner Anwendung kompatibel ist.
3. Die anwendbare Spannung beträgt 220-240V, ~50Hz. Aus Sicherheitsgründen ist es nicht sinnvoll, mehrere Geräte an eine Steckdose anzuschließen.
4. Bitte seien Sie vorsichtig, wenn Sie in der Nähe von Kindern verwenden. Lassen Sie die Kinder nicht mit dem Produkt spielen. Lassen Sie Kinder oder Personen, die das Gerät nicht kennen, es nicht ohne Aufsicht benutzen.
5. **WARNUNG:** Dieses Gerät darf von Kindern über 8 Jahren und Personen mit eingeschränkten physischen, sensorischen oder geistigen Fähigkeiten oder Personen ohne Erfahrung oder Kenntnis des Geräts nur unter Aufsicht einer für ihre Sicherheit verantwortlichen Person verwendet werden, oder wenn sie in den sicheren Umgang mit dem Gerät eingewiesen wurden und sich der mit dem Betrieb verbundenen Gefahren bewusst sind. Kinder sollten nicht mit dem Gerät spielen. Die Reinigung und Wartung des Geräts sollte nicht von Kindern durchgeführt werden, es sei denn, sie sind über 8 Jahre alt und diese Tätigkeiten werden unter Aufsicht durchgeführt.
6. Nachdem Sie das Produkt nicht mehr verwendet haben, denken Sie immer daran, den Stecker vorsichtig aus der Steckdose zu ziehen, indem Sie die Steckdose mit der Hand halten. Ziehen Sie niemals am Netzkabel!!!
7. Lassen Sie das Produkt niemals ohne Aufsicht an die Stromquelle angeschlossen. Auch wenn die Nutzung für kurze Zeit unterbrochen wird, schalten Sie es vom Netzwerk aus, ziehen Sie den Netzstecker.
8. Niemals das Netzkabel, den Stecker oder das ganze Gerät ins Wasser tauchen. Setzen Sie das Produkt niemals atmosphärischen Bedingungen wie direkter Sonneneinstrahlung oder Regen usw. aus. Verwenden Sie das Produkt niemals unter feuchten Bedingungen.
9. Überprüfen Sie regelmäßig den Zustand des Netzkabels. Wenn das Netzkabel beschädigt ist, sollte das Produkt zum Austausch an eine Fachwerkstatt übergeben werden, um gefährliche Situationen zu vermeiden.
10. Verwenden Sie das Produkt niemals mit einem beschädigten Netzkabel oder wenn es heruntergefallen oder auf andere Weise beschädigt wurde oder wenn es nicht richtig funktioniert. Versuchen Sie nicht, das defekte Produkt selbst zu reparieren, da dies zu

einem Stromschlag führen kann. Bringen Sie das beschädigte Gerät immer zu einer Fachwerkstatt, um es reparieren zu lassen. Alle Reparaturen dürfen nur von autorisierten Servicetechnikern durchgeführt werden. Die unsachgemäß durchgeführte Reparatur kann zu gefährlichen Situationen für den Benutzer führen.

11. Stellen Sie das Produkt niemals auf oder in die Nähe von heißen oder warmen Oberflächen oder Küchengeräten wie Elektroherd oder Gasbrenner.
12. Verwenden Sie das Produkt niemals in der Nähe von brennbaren Stoffen.
13. Lassen Sie das Kabel nicht über die Kante der Theke hängen.
14. Tauchen Sie die Motoreinheit nicht in Wasser.
15. Um zusätzlichen Schutz zu bieten, wird empfohlen, im Stromkreis eine Fehlerstrom-Schutzeinrichtung (RCD) mit einem Bemessungsfehlerstrom von nicht mehr als 30 mA zu installieren. Fragen Sie dazu einen Elektriker.
16. Stecken Sie keine Finger oder andere Gegenstände in das Gehäusegitter des Gerätes.
17. Blockieren Sie nicht die Steckdose.
18. Wenn Sie fertig sind, lassen Sie das Wasser aus dem Gerät ab, bevor Sie es wegräumen.
19. Wenn das Gerät längere Zeit nicht verwendet wird, trennen Sie es von der Stromquelle.
20. Verwenden Sie immer neue Batterien, um die leeren Batterien in der Fernbedienung zu ersetzen.
21. Bewegen Sie das Gerät nicht, wenn der Innentank mit Wasser gefüllt ist.
22. Stellen Sie keine Gegenstände auf das Gerät.
23. Das Gerät darf nur bei ordnungsgemäß funktionierender Belüftung verwendet werden.

Vor dem ersten Gebrauch

1. Es sollte daran erinnert werden, dass eine hohe Luftfeuchtigkeit die Entwicklung biologischer Organismen in der Umwelt begünstigen kann.
2. Lassen Sie das Gerät nicht nass werden und benetzen Sie den Bereich um das Gerät nicht. Wenn Feuchtigkeit auftritt, reduzieren Sie die Effizienz der Befeuchtungsfunktion.
3. Achten Sie darauf, dass saugfähige Materialien wie Teppiche, Vorhänge, Tischdecken nicht nass werden.
4. Lassen Sie niemals Wasser im Tank, nach dem Gerät nicht verwendet wird.
 - **WARNUNG:** Wenn das Wasser nicht ausgetauscht und der Tank nicht alle 3 Tage richtig gereinigt wird, können sich im Wasser oder in der Umgebung, in der das Gerät verwendet oder gelagert wird, möglicherweise vorhandene Mikroorganismen im Wassertank entwickeln und ausgeblasen werden die Umgebung. Dies kann ein sehr ernstes Gesundheitsrisiko darstellen.
 - **ACHTUNG:** Alle drei Tage den Wassertank leeren und mit sauberem Wasser auffüllen. Reinigen Sie den Tank vor dem Nachfüllen mit frischem Leitungswasser oder mit Reinigungsmitteln. Entfernen Sie Kalk, Ablagerungen oder Filme, die sich an den Seiten des Tanks und auf den Innenflächen gebildet haben. Nach dem Waschen alle Oberflächen trocken wischen.
5. Wenn das Gerät zum ersten Mal verwendet wird, kann der Motor des Geräts einen Geruch erzeugen, der sich innerhalb einer Woche nach Gebrauch verflüchtigt. In diesem Fall ist Ihre Aktion nicht erforderlich.

PRODUKTBESCHREIBUNG Flügelloser Luftkühler Ms7856

- | | |
|--|----------------------------|
| 1. Griff 2. Luftauslass | |
| 3. Griff zur manuellen Steuerung der Luftstromrichtung nach oben/unten | 4. Vorderes Gehäuse |
| 5. Wasserstandsanzeige | 6. Hinteres Gehäuse |
| 7. Rückdeckel mit Netz | 8. Verdunstungsfilter |
| 9. Wassertank | 10. Fernbedienung |
| 11. Eisboxen | 12. Bedienfeld |
| 13. Wassertankschloss | 14. Pumpenverriegelung |
| 15. Pumpe | 16. Aussparung des Deckels |
| 17. Filterverriegelungen | |

Fernbedienung & Bedienfeld – Bild B

- | | |
|-------------------------------------|-----------------------|
| A – Power-Taste | B – Modus-Taste |
| C – Ventilatorgeschwindigkeitstaste | D – Timertaste |
| E – Timer-Taste | F – Nasskühlung-Taste |

BETRIEB

Eine spürbare Absenkung der Temperatur der Abluft erfolgt nach dem Einsetzen der dem Produkt beiliegenden Kunststoffbehälter (11) in den Wassertank (9). Die Plastikbehälter sollten vorher einige Stunden im Gefrierschrank eingefroren werden. Es wird empfohlen, den Kunststoffbehälter (11) mit kaltem Leitungswasser zu füllen und das auf dem Kunststoffbehälter markierte MAX-Niveau nicht zu

überschreiten. Der Inhalt des Kunststoffbehälters ist zum Verzehr verboten. Von Kindern fernhalten.

1. Stellen Sie das Gerät auf eine trockene, ebene Fläche. Wenn die Oberfläche nicht eben ist, kann das Gerät anfangen zu vibrieren und ungewöhnliche Geräusche zu bekommen.

2. Drehen Sie die Wassertankverriegelung (13) in eine flache Position, wie in den Bildern C1 und C2 gezeigt. Ziehen Sie dann den Wassertank (9) etwas aus der Rückseite des Gerätes heraus. Gießen Sie klares, kaltes Wasser in die Kanne, achten Sie darauf, dass der maximale Füllstand, der an der Wasserstandsanzeige (5) an der Vorderseite des Geräts markiert ist, nicht überschritten wird. Sie können Wasser einfüllen, ohne den Wassertank vollständig herauszuziehen. Trennen Sie das Gerät während des Befüllens und Reinigens vom Stromnetz.

3. Um den Wassertank vollständig zu entfernen, sehen Sie sich Bild C3-C6 an. Entfernen Sie zuerst die Pumpe (15), indem Sie eine Pumpenverriegelung (14) lösen und den Wassertank (8) herausziehen. Ziehen Sie die Pumpe nicht heraus, sondern lassen Sie sie mit dem Hauptgehäuse verbunden. Achten Sie beim Zurücksetzen des Wassertanks (9) darauf, dass die an die Pumpe angeschlossenen Wasserleitungen nicht gequetscht werden.

Drehen Sie nach dem Gießen des Wassers die Wassertankverriegelung (13) in die horizontale Position. Kippen Sie das Gerät nicht, nachdem Sie das Wasser in den Wassertank gegossen haben. Entfernen Sie den Wassertank nicht, während das Gerät an das Stromnetz angeschlossen ist.

4. Verbinden Sie den Stecker mit der Stromversorgung. Nun kann das Gerät über das Bedienfeld (12) oder die Fernbedienung (10) bedient werden (Bild B). Schalten Sie das Gerät ein, indem Sie den Netzschalter (A) drücken. Drücken Sie die Taste (A) erneut, um das Gerät auszuschalten.

5. Mit der Taste SPEED (C) können Sie die Geschwindigkeit des Ventilators ändern. Folgende Geschwindigkeiten können gewählt werden: hoch, mittel und langsam. Die entsprechende Diode auf dem Bedienfeld leuchtet auf.

6. Die Luftbefeuchtungsfunktion wird mit der COOL-Taste (F) bedient, sie senkt die Lufttemperatur durch den Betrieb der Wasserpumpe. Drücken Sie die Taste (F), wenn sich NUR Wasser im Wassertank befindet, die entsprechende Diode auf dem Bedienfeld (12) leuchtet auf. Zusätzlich ist ein Set aus zwei Kunststoffbehältern (11) beigegefügt. Kunststoffbehälter (11) sollten mit kaltem Leitungswasser gefüllt werden und den maximalen Füllstand nicht überschreiten. Als nächstes legen Sie sie mehrere Stunden in den Gefrierschrank. Stellen Sie dann einen oder beide Behälter in den Wassertank (9). Um die nasse kühle Luft zu blasen, muss das Gerät mit Wasser gefüllt werden. Überprüfen Sie während des Betriebs des Geräts regelmäßig den Wasserstand, um zu sehen, ob Wasser nachgefüllt werden muss. Drücken Sie die Taste (F) erneut, um das Ausblasen der nassen Kaltluft auszuschalten.

7. Drücken Sie die Oszillationsfunktion durch Drücken der SWING-Taste (E), um eine gleichmäßige Verteilung des Kaltluftstroms nach links und rechts zu gewährleisten. Am Bedienfeld (12) leuchtet die entsprechende Diode.

8. Mit der TIMER-Taste (D) kann die Betriebszeit in Schritten von 1 Stunde von 1 bis 8 Stunden programmiert werden. Durch wiederholtes Drücken dieser Taste leuchtet eine Diodenkombination am Bedienfeld (12) auf. Die Summe der aufleuchtenden Dioden bedeutet die gewählte Zeitspanne, in der das Gerät betrieben wird, bevor es automatisch ausgeschaltet wird.

9. Mit der MODE-Taste (B) kann zwischen einem von 3 Blasmodi gewechselt werden:

normaler Wind, natürlicher Wind und Schlafmodus. Die Diode für den gewählten Modus leuchtet am Bedienfeld (12) auf.

a) Normaler Modus: Ermöglicht dem Benutzer, die Lüftergeschwindigkeit manuell zwischen hoch, mittel und niedrig einzustellen.

b) Natürlicher Modus: ahmt die natürliche Windbewegung nach, indem die Lüftergeschwindigkeitssequenz wiederholt wird:

* Wenn Sie die niedrige Lüftergeschwindigkeit wählen, bläst das Gerät aus und wiederholt den folgenden Zyklus: Niedrig 4 Sekunden + Stopp 2 Sekunden + Mittel 4 Sekunden + Niedrig 6 Sekunden + Mittel 4 Sekunden + Stopp 2 Sekunden + Hoch 2 Sekunden + Niedrig 6 Sekunden + Mittel 4 Sekunden + niedrige 4 Sekunden + mittlere 2 Sekunden + niedrige 4 Sekunden + mittlere 4 Sekunden + niedrige 4 Sekunden + Stopp 2 Sekunden + hohe 2 Sekunden + niedrige 4 Sekunden + mittlere 2 Sekunden.

* Wenn die mittlere Lüftergeschwindigkeit gewählt wird, bläst das Gerät aus und wiederholt den folgenden Zyklus: niedrig 4 Sekunden + mittel 6 Sekunden + niedrig 2 Sekunden + hoch 2 Sekunden + Stopp 2 Sekunden + mittel 4 Sekunden + niedrig 4 Sekunden + mittel 4 Sekunden + niedrig 2 Sekunden + mittlere 4 Sekunden + niedrige 4 Sekunden + hohe 2 Sekunden + Stopp 2 Sekunden + mittlere 4 Sekunden + mittlere 4 Sekunden + niedrige 4 Sekunden + hohe 4 Sekunden + Stopp 2 Sekunden + mittlere 4 Sekunden + hohe 4 Sekunden.

* Wenn Sie die schnelle Lüftergeschwindigkeit wählen, bläst das Gerät aus und wiederholt den folgenden Zyklus: hoch 4 Sekunden + Stopp 2 Sekunden + mittlere 4 Sekunden + hoch 4 Sekunden + niedrig 4 Sekunden + hoch 2 Sekunden + mittel 4 Sekunden + hoch 4 Sekunden + Stopp 2 Sekunden + Mittel 4 Sekunden + Hoch 6 Sekunden + Niedrig 4 Sekunden + Hoch 4 Sekunden + Mittel 4 Sekunden + Niedrig 4 Sekunden + Hoch 4 Sekunden + Mittel 4 Sekunden.

c) Schlafmodus: wurde entwickelt, um die Effekte des natürlichen Modus zum Einschlafen zu nutzen. Die Geschwindigkeit des Lüfters wird schrittweise in Schritten von 30 Minuten verringert:

* Wenn Sie die niedrige Lüftergeschwindigkeit wählen: Der Lüfter läuft genauso wie der natürliche Modus mit niedriger Geschwindigkeit.

* Bei Auswahl der mittleren Lüftergeschwindigkeit: Der Lüfter bläst 30 Minuten im natürlichen Modus mittlerer Geschwindigkeit und wechselt dann in den natürlichen Modus mit niedriger Geschwindigkeit.

* Wenn Sie die hohe Lüftergeschwindigkeit wählen: Der Lüfter bläst 30 Minuten im natürlichen Modus mit hoher Geschwindigkeit, dann schaltet er für 30 Minuten auf den natürlichen Modus mittlerer Geschwindigkeit um und wechselt dann in den natürlichen Modus mit niedriger Geschwindigkeit.

ANMERKUNG: Wenn Sie während des Schlafens eine konstante Lüftergeschwindigkeit bevorzugen, empfehlen wir, den Lüfter in den Normalmodus zu stellen und eine niedrige Geschwindigkeit zu wählen. Stellen Sie mit der Timer-Funktion den Ventilator so ein, dass er sich nach einer verstrichenen Zeit (z. B. 1 Stunde nach dem Zubettgehen) ausschaltet.

10. Alle Tasten auf der Fernbedienung (10) haben die gleichen Funktionen wie die Tasten auf dem Bedienfeld (12). Platzieren Sie keine Gegenstände zwischen dem Gerät und der Fernbedienung, um eine ordnungsgemäße Kommunikation zwischen der Fernbedienung und dem Gerät zu gewährleisten. Um den Betrieb der Fernbedienung (10) zu starten, ziehen Sie die Installationsfolie heraus. Um die Batterie auszutauschen, drücken Sie die Entriegelungslasche am Fernbedienungsgehäuse, wie in Bild E gezeigt. Ersetzen Sie sie durch eine Batterie des gleichen Typs, achten Sie darauf, dass sie wieder richtig gepolt ist, und bauen Sie die Batterie in umgekehrter Reihenfolge wieder zusammen.

REINIGUNG UND INSTANDHALTUNG

Trennen Sie das Gerät immer vom Netz, bevor Sie mit der Reinigung oder dem Hinzufügen/Ablassen von Wasser oder dem Bewegen des Geräts beginnen.

1. Entleeren Sie nach Beendigung des Betriebs, bevor Sie das Gerät für längere Zeit lagern, den Wassertank und reinigen Sie ihn und

das gesamte Gerät.

2. Mit einem weichen, trockenen Tuch reinigen. Verwenden Sie keine chemischen Lösungsmittel, da diese das Gerät dauerhaft beschädigen oder verformen können.
3. Wenn das Gerät drei oder mehr Monate nicht benutzt wird, nehmen Sie die Batterien aus der Fernbedienung.
4. Nach längerem Betrieb kann die Abdeckung mit Netz (7) und Verdunstungsfilter (8) mit Staub verstopft sein, was die Kühlleistung des Geräts stark beeinträchtigt. Wenn das Wasser längere Zeit nicht ausgetauscht wird, kann es zu Schimmelbildung kommen. Wir empfehlen, die Abdeckung mit Netz (7) und Filter (8) alle 10 Tage zu reinigen. Das Reinigungsverfahren für den Filter (8) ist wie folgt:
 - a) Trennen Sie das Gerät vom Netz, ziehen Sie die hintere Abdeckung (7) an beiden Aussparungen (16), um sie zu entfernen – siehe Bild D. Zum Entfernen des Verdunstungsfilters (8) ziehen Sie die Filterverriegelung (17) zurück, der Kunststoff ist flexibel und ermöglicht das Herausnehmen des Verdunstungsfilters (8).
 - b) Reinigen Sie den Verdunstungsfilter (8) mit einem Staubsauger. Der Bezug mit Netz (7) sollte nicht mit den Händen gerieben werden, um eine Verformung des Netzes zu vermeiden.
 - c) Setzen Sie den Filter (8) und die Abdeckung mit Netz (7) wieder ein.
 - d) Stellen Sie vor dem erneuten Einschalten sicher, dass der Wassertank (8), der Filter (5) und die Abdeckung mit Netz (7) in der richtigen Position angebracht sind. Stellen Sie vor der saisonalen Lagerung sicher, dass alle Teile trocken sind, indem Sie den Lüftermodus 2 Stunden oder kürzer laufen lassen, um sicherzustellen, dass der Filter (5) vollständig trocken ist.
4. Lassen Sie das Wasser vor der saisonalen Lagerung ab, indem Sie den Wassertank entfernen (Kapitel Betrieb - Punkt 2). Verwenden Sie milde Seife und Wasser, um den Wassertank zu reinigen. Trocknen Sie das Gerät und den Wassertank anschließend vollständig ab, um Feuchtigkeitsschäden zu vermeiden.
5. Lassen Sie das Wasser vor der Lagerung aus den Kunststoffbehältern (11) ab.
6. Decken Sie das Gerät zum Schutz vor Staub mit einer Plastiktüte ab und wickeln Sie das Netzkabel auf. Lagern Sie das Gerät an einem trockenen Ort ohne direkte Sonneneinstrahlung.
7. Reinigen Sie das Gerät und den Wassertank vor dem nächsten Gebrauch.

ENTKALKEN

1. Führen Sie den Entkalkungsvorgang gemäß den Anweisungen des vom Hersteller angegebenen Entkalkungsmittels durch.
2. Verwenden Sie die dafür vorgesehenen Entkalker.
3. Führen Sie den Entkalkungsvorgang mindestens alle 3 Monate durch.
4. Entkalken Sie den Wassertank nur bei ausgeschaltetem Gerät.

TECHNISCHE DATEN:

Stromversorgung 220-240V ~50-60Hz

Leistung: 80 W

Max. Leistung: 350 W

Tankinhalt: 2 Liter

Wasserverbrauch: 230 ml / Stunde

Batterie: CR2025 (3V)

Geräuschpegel: 59,4dB

Luftvolumenstrom: 188,4m³/h

Produktmaße: 18,6 x 25,5 x 62,5 cm



Den Pappkarton im Altpapier entsorgen. Polyäthylenbeutel (PE) in dem Behälter für Kunststoff entsorgen. Das abgenutzte Gerät zum Recycling zu einer offiziellen Sammelstelle bringen, da es gefährliche Substanzen enthält, die die Umwelt gefährden können. Das Gerät sollte in einer Form abgegeben werden, die eine weitere Nutzung unmöglich macht. Wenn es Batterien enthält, sollten diese rausgenommen und separat an einer Sammelstelle abgegeben werden. Das Gerät darf nicht in den Hausmüll rausgeworfen werden!!

FRANÇAIS

CONDITIONS DE SÉCURITÉ. INSTRUCTIONS IMPORTANTES SUR LA SÉCURITÉ D'UTILISATION

VEUILLEZ LIRE ATTENTIVEMENT ET CONSERVER POUR RÉFÉRENCE FUTURE

Les conditions de garantie sont différentes si l'appareil est utilisé à des fins commerciales.

1. Avant d'utiliser le produit, veuillez lire attentivement et toujours respecter les instructions suivantes. Le fabricant n'est pas responsable des dommages dus à une mauvaise utilisation.
2. Le produit ne doit être utilisé qu'à l'intérieur. N'utilisez pas le produit à des fins incompatibles avec son application.
3. La tension applicable est de 220-240V, ~50Hz. Pour des raisons de sécurité, il n'est pas approprié de connecter plusieurs appareils à une seule prise de courant.
4. Veuillez être prudent lorsque vous utilisez autour des enfants. Ne laissez pas les enfants jouer avec le produit. Ne laissez pas des enfants ou des personnes qui ne connaissent pas l'appareil l'utiliser sans surveillance.
5. AVERTISSEMENT : Cet appareil peut être utilisé par des enfants de plus de 8 ans et des

personnes ayant des capacités physiques, sensorielles ou mentales réduites, ou des personnes sans expérience ou connaissance de l'appareil, uniquement sous la supervision d'une personne responsable de leur sécurité, ou s'ils ont reçu des instructions sur l'utilisation sûre de l'appareil et sont conscients des dangers associés à son fonctionnement. Les enfants ne doivent pas jouer avec l'appareil. Le nettoyage et l'entretien de l'appareil ne doivent pas être effectués par des enfants, sauf s'ils ont plus de 8 ans et que ces activités sont effectuées sous surveillance.

6. Une fois que vous avez fini d'utiliser le produit, n'oubliez pas de toujours retirer délicatement la fiche de la prise de courant en tenant la prise avec votre main. Ne tirez jamais sur le câble d'alimentation !!!

7. Ne laissez jamais le produit connecté à la source d'alimentation sans surveillance. Même lorsque l'utilisation est interrompue pendant une courte période, éteignez-le du réseau, débranchez l'alimentation.

8. Ne mettez jamais le câble d'alimentation, la fiche ou l'ensemble de l'appareil dans l'eau. N'exposez jamais le produit aux conditions atmosphériques telles que la lumière directe du soleil ou la pluie, etc. N'utilisez jamais le produit dans des conditions humides.

9. Vérifiez périodiquement l'état du câble d'alimentation. Si le câble d'alimentation est endommagé, le produit doit être remis à un centre de service professionnel pour être remplacé afin d'éviter les situations dangereuses.

10. N'utilisez jamais le produit avec un câble d'alimentation endommagé ou s'il est tombé ou endommagé de toute autre manière ou s'il ne fonctionne pas correctement. N'essayez pas de réparer vous-même le produit défectueux car cela peut entraîner un choc électrique. Confiez toujours l'appareil endommagé à un centre de service professionnel afin de le réparer. Toutes les réparations ne peuvent être effectuées que par des professionnels de service agréés. La réparation qui a été effectuée de manière incorrecte peut entraîner des situations dangereuses pour l'utilisateur.

11. Ne placez jamais le produit sur ou à proximité de surfaces chaudes ou chaudes ou d'appareils de cuisine tels que le four électrique ou le brûleur à gaz.

12. N'utilisez jamais le produit à proximité de combustibles.

13. Ne laissez pas le cordon pendre du bord du comptoir.

14. Ne plongez pas le bloc moteur dans l'eau.

15. Pour fournir une protection supplémentaire, il est conseillé d'installer un dispositif de courant résiduel (RCD) dans le circuit électrique avec un courant résiduel nominal ne dépassant pas 30 mA. Demandez cela à un électricien.

16. N'insérez pas les doigts ou tout autre objet dans la grille du boîtier de l'appareil.

17. Ne bloquez pas la sortie.

18. Une fois terminé, avant de le ranger, vidangez l'eau de l'appareil.

19. Si l'appareil n'est pas utilisé pendant une longue période, débranchez-le de la source d'alimentation.

20. Utilisez toujours des piles neuves pour remplacer les piles épuisées de la télécommande.

21. Ne déplacez pas l'appareil lorsque le réservoir intérieur est rempli d'eau.

22. Ne placez aucun objet sur l'appareil.

23. L'appareil ne peut être utilisé qu'avec une ventilation fonctionnant correctement.

Avant la première utilisation

1. Il ne faut pas oublier qu'un taux d'humidité élevé peut favoriser le développement d'organismes biologiques dans l'environnement.
 2. Ne mouillez pas l'appareil et ne mouillez pas la zone autour de l'appareil. Si de l'humidité apparaît, réduisez l'efficacité de la fonction d'humidification.
 3. Ne laissez pas les matériaux absorbants tels que les tapis, les rideaux, les nappes se mouiller.
 4. Ne laissez jamais d'eau dans le réservoir lorsque l'appareil n'est pas utilisé.
- AVERTISSEMENT : Lorsque l'eau n'est pas remplacée et que le réservoir n'est pas correctement nettoyé tous les 3 jours, des micro-

organismes pouvant être présents dans l'eau ou dans l'environnement où l'appareil est utilisé ou stocké peuvent se développer dans le réservoir d'eau et être expulsés vers les environs. Cela peut entraîner un risque très grave pour la santé.

• **ATTENTION** : Tous les trois jours, videz le réservoir d'eau et remplissez-le d'eau propre. Avant de le remplir, nettoyez le réservoir avec de l'eau fraîche du robinet ou avec des détergents. Retirez tout tartre, dépôt ou film qui s'est formé sur les côtés du réservoir et sur les surfaces intérieures. Après le lavage, essuyez toutes les surfaces à sec.

5. Lorsque l'appareil est utilisé pour la première fois, le moteur de l'appareil peut produire une odeur qui se dissipera en une semaine d'utilisation. Votre action n'est pas requise dans ce cas.

DESCRIPTION DU PRODUIT Refroidisseur d'air sans pales MS7856

- | | |
|--|---------------------------|
| 1. Poignée | 2. Sortie d'air |
| 3. Poignée de contrôle manuel de la direction du flux d'air haut / bas | 4. Boîtier avant |
| 5. Indicateur de niveau d'eau | 6. Boîtier arrière |
| 7. Couvercle arrière avec filtre | 8. Filtre d'évaporation |
| 9. Réservoir d'eau | 10. Télécommande |
| 11. Glacières | 12. Panneau de commande |
| 13. Verrou du réservoir d'eau | 14. Loquet de la pompe |
| 15. Pompe | 16. Logement du couvercle |
| 17. Loquets de filtre | |

Télécommande et panneau de contrôle – image B

- | | |
|--------------------------------------|--------------------------------------|
| A - bouton d'alimentation | B - bouton de mode |
| C - bouton de vitesse du ventilateur | D - bouton de minuterie |
| E - bouton de minuterie | F - bouton de refroidissement humide |

OPÉRATION

Une réduction notable de la température de l'air de sortie se produit après avoir placé dans le réservoir d'eau (9) les récipients en plastique (11) inclus dans le produit. Les récipients en plastique doivent être préalablement congelés au congélateur pendant quelques heures. Il est recommandé de remplir le récipient en plastique (11) avec de l'eau froide du robinet et de ne pas dépasser le niveau MAX indiqué sur le récipient en plastique. Le contenu du récipient en plastique est interdit à la consommation. Garder loin des enfants.

- Placez l'appareil sur une surface sèche et plane. Si la surface n'est pas plane, l'appareil peut commencer à vibrer et produire un bruit anormal.
- Tournez à plat le verrou du réservoir d'eau (13) comme indiqué sur les images C1 et C2. Ensuite, sortez un peu le réservoir d'eau (9) de l'arrière de l'appareil. Utilisez la carafe pour verser de l'eau claire et froide, veillez à ne pas dépasser le niveau maximum indiqué sur la jauge de niveau d'eau (5) à l'avant de l'appareil. Vous pouvez verser de l'eau sans retirer complètement le réservoir d'eau. Pendant le remplissage et le nettoyage, débranchez l'appareil du secteur.
- Pour retirer complètement le réservoir d'eau, regardez l'image C3-C6. Retirez d'abord la pompe (15) en libérant un loquet de la pompe (14) et retirez le réservoir d'eau (8). Ne retirez pas la pompe, laissez-la rester connectée au boîtier principal. Lorsque vous remplacez le réservoir d'eau (9), faites attention à ne pas pincer les tuyaux d'eau reliés à la pompe.
- Après avoir versé l'eau, tournez le verrou du réservoir d'eau (13) en position horizontale. N'inclinez pas l'appareil après avoir versé l'eau dans le réservoir d'eau. Ne retirez pas le réservoir d'eau lorsque l'appareil est sous tension.
- Connectez la prise à l'alimentation. On peut maintenant utiliser le panneau de commande (12) ou la télécommande (10) pour faire fonctionner l'appareil (figure B). Allumez l'appareil en appuyant sur le bouton d'alimentation (A). Appuyez à nouveau sur le bouton (A) pour éteindre l'appareil.
- Le bouton SPEED (C) permet de modifier la vitesse du ventilateur. Les vitesses suivantes peuvent être sélectionnées : élevée, moyenne et lente. La diode correspondante sur le panneau de commande s'allumera.
- La fonction d'humidification de l'air est actionnée par le bouton COOL (F), elle abaisse la température de l'air en faisant fonctionner la pompe à eau. Appuyez sur le bouton (F) lorsqu'il y a de l'eau dans le réservoir UNIQUEMENT, la diode correspondante s'allumera sur le panneau de commande (12). De plus, un ensemble de deux conteneurs en plastique (11) est attaché. Les récipients en plastique (11) doivent être remplis d'eau froide du robinet et ne pas dépasser le niveau maximum. Ensuite, mettez-les plusieurs heures au congélateur. Ensuite, placez un ou les deux récipients dans le réservoir d'eau (9). Pour souffler l'air frais humide, l'appareil doit être rempli d'eau. Lorsque l'appareil fonctionne, vérifiez périodiquement le niveau d'eau pour voir s'il faut ajouter de l'eau. Appuyez à nouveau sur le bouton (F) pour désactiver le soufflage d'air froid humide.
- Appuyez sur la fonction d'oscillation en appuyant sur le bouton SWING (E) pour assurer une répartition uniforme du flux d'air froid dans les directions gauche et droite. La diode correspondante s'allumera sur le panneau de commande (12).
- Le bouton TIMER (D) permet de programmer la durée de fonctionnement avec des décrets de 1 heure de 1 à 8 heures. Une pression répétée sur ce bouton allumera une combinaison de diodes sur le panneau de commande (12). La somme des diodes allumées indique la période choisie pendant laquelle l'appareil fonctionnera avant d'éteindre automatiquement l'appareil.
- Le bouton MODE (B) permet de basculer entre l'un des 3 modes de soufflage :
vent normal, vent naturel et mode veille. La diode du mode choisi s'allumera sur le panneau de commande (12).
a) Mode normal : permet à l'utilisateur de régler manuellement la vitesse du ventilateur entre haute, moyenne et basse.
b) Mode naturel : imite l'action du vent naturel en répétant la séquence de vitesse du ventilateur :
* Lorsque vous choisissez la faible vitesse du ventilateur, l'appareil souffle et répète le cycle ci-dessous : bas 4 secondes + arrêt 2 secondes + milieu 4 secondes + bas 6 secondes + milieu 4 secondes + arrêt 2 secondes + haut 2 secondes + bas 6 secondes + moyen 4 secondes + bas 4 secondes + milieu 2 secondes + bas 4 secondes + milieu 4 secondes + bas 4 secondes + stop 2 secondes + haut 2 secondes + bas 4 secondes + milieu 2 secondes.
* Lorsque vous choisissez la vitesse moyenne du ventilateur, l'appareil souffle et se répète en dessous du cycle : faible 4 secondes + milieu 6 secondes + faible 2 secondes + élevé 2 secondes + arrêt 2 secondes + milieu 4 secondes + faible 4 secondes + milieu 4 secondes + faible 2 secondes + milieu 4 secondes + bas 4 secondes + haut 2 secondes + arrêt 2 secondes + milieu 4 secondes + bas 4 secondes + haut 4 secondes + arrêt 2 secondes + milieu 4 secondes + haut 4 secondes.

* Lorsque vous choisissez la vitesse rapide du ventilateur, l'appareil souffle et répète le cycle ci-dessous : haut 4 secondes + arrêt 2 secondes + milieu 4 secondes + haut 4 secondes + bas 4 secondes + haut 2 secondes + milieu 4 secondes + haut 4 secondes + arrêt 2 secondes + milieu 4 secondes + haut 6 secondes + bas 4 secondes + haut 4 secondes + milieu 4 secondes + bas 4 secondes + haut 4 secondes + milieu 4 secondes.

c) Mode veille : a été conçu pour utiliser les effets du mode naturel pour s'endormir. Il diminuera progressivement la vitesse du ventilateur par incréments de 30 minutes :

* Lorsque vous choisissez la faible vitesse du ventilateur : le ventilateur fonctionnera de la même manière que le mode naturel à faible vitesse.

* Lorsque vous choisissez la vitesse moyenne du ventilateur : le ventilateur soufflera 30 minutes en mode naturel à vitesse moyenne, puis passera en mode naturel à basse vitesse.

* Lorsque vous choisissez la vitesse élevée du ventilateur: le ventilateur soufflera 30 minutes en mode naturel à grande vitesse, puis il passera pendant 30 minutes en mode naturel à vitesse moyenne, puis il passera en mode naturel à basse vitesse.

REMARQUE : Si vous préférez une vitesse de ventilateur constante pendant le sommeil, nous vous recommandons de régler le ventilateur en mode normal et de sélectionner une vitesse faible. Utilisez la fonction de minuterie pour régler le ventilateur pour qu'il s'éteigne après un certain temps (par exemple 1 heure après le coucher).

10. Tous les boutons de la télécommande (10) ont les mêmes fonctions que les boutons du panneau de commande (12). Ne placez aucun objet entre l'appareil et la télécommande pour assurer une bonne communication entre la télécommande et l'appareil. Pour démarrer le fonctionnement de la télécommande (10), retirez le film d'installation. Pour remplacer la pile poussez la languette de déverrouillage sur le boîtier de la télécommande comme indiqué sur la photo E. Remplacez par une pile du même type, faites attention à la remettre dans le bon pôle de polarisation, remontez la pile dans l'ordre inverse.

NETTOYAGE ET ENTRETIEN

Débranchez toujours l'appareil avant de commencer à nettoyer, ajouter/vider de l'eau ou déplacer l'appareil.

1. Une fois l'opération terminée, avant de ranger l'appareil plus longtemps, videz le réservoir d'eau et nettoyez-le ainsi que l'ensemble de l'appareil.

2. Nettoyer avec un chiffon doux et sec. N'utilisez pas de solvants chimiques car ils peuvent causer des dommages permanents ou une déformation de l'appareil.

3. Si l'appareil n'est pas utilisé pendant trois mois ou plus, retirez les piles de la télécommande.

4. Après une longue période de fonctionnement, le couvercle avec le filet (7) et le filtre d'évaporation (8) peuvent être obstrués par la poussière, ce qui affectera grandement les performances de refroidissement de l'appareil. Si longtemps l'eau n'est pas échangée, il peut y avoir de la moisissure. Nous suggérons de nettoyer le couvercle avec le filet (7) et le filtre (8) une fois tous les 10 jours. La procédure de nettoyage du filtre (8) est la suivante :

a) Débranchez l'appareil, tirez le couvercle arrière (7) par les deux évidements (16) pour le retirer – regardez la photo D. Pour retirer le filtre d'évaporation (8) tirez le loquet du filtre (17), le plastique est souple et vous permettra de sortir le filtre évaporation (8).

b) Nettoyer le filtre d'évaporation (8) à l'aide d'un aspirateur. Le couvercle avec filet (7) ne doit pas être frotté avec les mains pour éviter la déformation du filet.

c) Remettez le filtre (8) et le couvercle avec filet (7) en place.

d) Assurez-vous que le réservoir d'eau (8), le filtre (5) et le couvercle avec filet (7) sont bien remis en place avant de remettre en marche. Avant le stockage saisonnier, assurez-vous que toutes les pièces sont sèches en faisant fonctionner le mode ventilateur pendant 2 heures ou moins pour vous assurer que le filtre (5) est complètement sec.

4. Vidangez l'eau avant le stockage saisonnier en retirant le réservoir d'eau (chapitre Fonctionnement - point 2). Utilisez du savon doux et de l'eau pour nettoyer le réservoir d'eau. Séchez ensuite complètement l'appareil et le réservoir d'eau pour éviter les dommages dus à l'humidité.

5. Vidangez l'eau des récipients en plastique (11) avant le stockage.

6. Recouvrez l'appareil d'un sac en plastique pour le protéger de la poussière et enroulez le cordon d'alimentation. Rangez l'appareil dans un endroit sec à l'abri de la lumière directe du soleil.

7. Nettoyez l'appareil et le réservoir d'eau avant la prochaine utilisation.

DÉTARTRAGE

1. Effectuez la procédure de détartrage conformément aux instructions du détartrant spécifié par le fabricant.

2. Utilisez des détartrants prévus à cet effet.

3. Effectuez la procédure de détartrage au moins tous les 3 mois.

4. Détartrez le réservoir d'eau uniquement lorsque l'appareil est éteint.

DONNÉES TECHNIQUES:

Alimentation 220-240V ~50-60 Hz

Puissance : 80W

Puissance maximale : 350 W

Capacité du réservoir : 2 litres

Consommation d'eau : 230 ml/heure

Pile : CR2025 (3 V)

Niveau sonore : 59,4dB

Débit d'air : 188,4m³/h

Dimensions du produit : 18,6 x 25,5 x 62,5 cm



Respect de l'environnement. Nous vous prions de bien vouloir trier les emballages en carton ainsi que les sachets plastiques (en polyéthylène). L'appareil usagé ne doit pas être jeté à la poubelle mais remis au point de collecte prévu à cet effet car il contient des éléments pouvant être nocifs pour l'environnement. L'appareil électrique doit être remis de manière à limiter au maximum une éventuelle utilisation ultérieure. Si l'appareil contient des piles, il faut les retirer et les remettre à un autre point de collecte.

Ne pas jeter l'appareil dans une poubelle de déchets ménagers !!!

CONDICIONES DE SEGURIDAD. INSTRUCCIONES IMPORTANTES SOBRE SEGURIDAD DE USO**POR FAVOR LEA DETENIDAMENTE Y GUARDE PARA FUTURAS REFERENCIAS**

Las condiciones de la garantía son diferentes si el dispositivo se utiliza con fines comerciales.

1. Antes de usar el producto, lea atentamente y cumpla siempre las siguientes instrucciones. El fabricante no se hace responsable de los daños debidos a un mal uso.
2. El producto solo debe utilizarse en interiores. No utilice el producto para ningún propósito que no sea compatible con su aplicación.
3. El voltaje aplicable es 220-240 V, ~ 50 Hz. Por razones de seguridad, no es apropiado conectar varios dispositivos a una sola toma de corriente.
4. Tenga cuidado al usarlo cerca de niños. No deje que los niños jueguen con el producto. No permita que los niños o personas que no conozcan el dispositivo lo utilicen sin supervisión.

ADVERTENCIA: Este dispositivo puede ser utilizado por niños mayores de 8 años y personas con capacidades físicas, sensoriales o mentales reducidas, o personas sin experiencia o conocimiento del dispositivo, solo bajo la supervisión de una persona responsable de su seguridad, o si fueron instruidos sobre el uso seguro del dispositivo y son conscientes de los peligros asociados con su funcionamiento. Los niños no deben jugar con el dispositivo. La limpieza y el mantenimiento del dispositivo no deben ser realizados por niños, a menos que sean mayores de 8 años y estas actividades se realicen bajo supervisión.

6. Una vez que haya terminado de usar el producto, recuerde siempre quitar suavemente el enchufe del tomacorriente sosteniendo el tomacorriente con la mano. ¡Nunca tire del cable de alimentación!
7. Nunca deje el producto conectado a la fuente de alimentación sin supervisión. Incluso cuando el uso se interrumpe por un corto tiempo, apáguelo de la red, desenchufe la alimentación.
8. Nunca coloque el cable de alimentación, el enchufe o todo el dispositivo en el agua. Nunca exponga el producto a las condiciones atmosféricas tales como luz solar directa o lluvia, etc. Nunca use el producto en condiciones húmedas.
9. Compruebe periódicamente el estado del cable de alimentación. Si el cable de alimentación está dañado, el producto debe llevarse a un lugar de servicio profesional para ser reemplazado a fin de evitar situaciones peligrosas.
10. No utilice nunca el producto con un cable de alimentación dañado o si se ha caído o dañado de alguna otra forma o si no funciona correctamente. No intente reparar el producto defectuoso usted mismo porque puede provocar una descarga eléctrica. Lleve siempre el dispositivo dañado a un lugar de servicio profesional para repararlo. Todas las reparaciones pueden ser realizadas únicamente por profesionales de servicio autorizados. La reparación que se realizó incorrectamente puede causar situaciones peligrosas para el usuario.
11. Nunca coloque el producto sobre o cerca de superficies calientes o calientes o de los electrodomésticos de la cocina como el horno eléctrico o el quemador de gas.
12. Nunca use el producto cerca de combustibles.

13. No deje que el cable cuelgue del borde del mostrador.
14. No sumerja la unidad del motor en agua.
15. Para proporcionar protección adicional, se recomienda instalar un dispositivo de corriente residual (RCD) en el circuito eléctrico con una corriente residual nominal que no exceda los 30 mA. Pregúntele a un electricista por esto.
16. No introduzca los dedos ni ningún otro objeto en la rejilla de la carcasa del dispositivo.
17. No bloquee la salida.
18. Cuando termine, antes de guardarlo, drene el agua del dispositivo.
19. Si el dispositivo no se utiliza durante mucho tiempo, desconéctelo de la fuente de alimentación.
20. Utilice siempre pilas nuevas para reemplazar las pilas gastadas del mando a distancia.
21. No mueva el dispositivo cuando el tanque interior esté lleno de agua.
22. No coloque ningún objeto sobre el dispositivo.
23. El dispositivo solo se puede utilizar con una ventilación que funcione correctamente.

Antes del primer uso

1. Cabe recordar que un alto nivel de humedad puede favorecer el desarrollo de organismos biológicos en el medio.
2. No moje el dispositivo ni moje el área alrededor del dispositivo. Si aparece humedad, reduzca la eficacia de la función de humidificación.
3. No permita que se mojen materiales absorbentes como alfombras, cortinas, manteles.
4. Nunca deje agua en el tanque cuando el dispositivo no esté en uso.
- ADVERTENCIA: Cuando no se reemplaza el agua y el tanque no se limpia adecuadamente cada 3 días, los microorganismos que pueden estar presentes en el agua o en el ambiente donde se usa o almacena el dispositivo pueden desarrollarse en el tanque de agua y salir despedidos. los alrededores. Esto puede ocasionar un riesgo para la salud muy grave.
- ADVERTENCIA: Cada tres días, vacíe el depósito de agua y rellénelo con agua limpia. Antes de volver a llenarlo, limpie el tanque con agua corriente fresca o con detergentes. Retire cualquier sarro, depósitos o película que se haya formado en los lados del tanque y en las superficies interiores. Después del lavado, seque todas las superficies.
5. Cuando se utiliza el dispositivo por primera vez, el motor del dispositivo puede producir un olor que se disipará en una semana de uso. No se requiere su acción en este caso.

DESCRIPCIÓN DEL PRODUCTO Enfriador de aire sin cuchillas MS7856

- | | |
|--|---------------------------|
| 1. Mango | 2. Salida de aire |
| 3. Manija para control manual de la dirección del flujo de aire hacia arriba / abajo | 4. Carcasa delantera |
| 5. Indicador de nivel de agua | 6. Carcasa trasera |
| 7. Tapa trasera con red | 8. Filtro de evaporación |
| 9. Tanque de agua | 10. Mando a distancia |
| 11. Cajas de hielo | 12. Panel de control |
| 13. Bloqueo del tanque de agua | 14. Pestillo de la bomba |
| 15. Bomba | 16. Receso de la cubierta |
| 17. Pestillos de filtro | |

Control remoto y panel de control - imagen B

- | | |
|---------------------------------------|----------------------------------|
| A - botón de encendido | B - botón de modo |
| C - botón de velocidad del ventilador | D - botón del temporizador |
| E - botón del temporizador | F - botón de enfriamiento húmedo |

OPERACIÓN

Se produce una notable reducción de la temperatura del aire de salida después de introducir en el depósito de agua (9) los envases de plástico (11) incluidos en el producto. Los envases de plástico deben congelarse previamente en el congelador durante unas horas. Se recomienda llenar el recipiente de plástico (11) con agua fría del grifo y no exceder el nivel MÁX marcado en el recipiente de plástico. El contenido del recipiente de plástico está prohibido comestible. Aléjate de los niños.

1. Coloque el dispositivo sobre una superficie plana y seca. Si la superficie no es plana, el dispositivo puede comenzar a vibrar y generar un ruido anormal.
2. Gire a la posición plana el bloqueo del tanque de agua (13) como se muestra en las imágenes C1 y C2. A continuación, extraiga un poco el depósito de agua (9) de la parte trasera del dispositivo. Use la jarra para verter agua limpia y fría, tenga cuidado de no exceder el nivel máximo marcado en el indicador de nivel de agua (5) en la parte frontal del dispositivo. Puede verter agua sin sacar el depósito de agua por completo. Durante el llenado y la limpieza, desconecte el dispositivo de la red.
3. Para quitar el tanque de agua por completo, observe la imagen C3-C6. Primero retire la bomba (15) soltando un pestillo de la bomba

- (14) y extraiga el tanque de agua (8). No extraiga la bomba, deje que permanezca conectada a la carcasa principal. Cuando vuelva a colocar el depósito de agua (9) tenga cuidado de no apretar las tuberías de agua conectadas a la bomba.
- Después de verter el agua, gire el bloqueo del depósito de agua (13) a la posición horizontal. No incline el dispositivo después de verter el agua en el tanque de agua. No retire el tanque de agua mientras el dispositivo está enchufado a la fuente de alimentación.
4. Conecte el enchufe a la fuente de alimentación. Ahora se puede utilizar el panel de control (12) o el mando a distancia (10) para operar el dispositivo (figura B). Encienda el dispositivo presionando el botón de encendido (A). Vuelva a pulsar el botón (A) para apagar el dispositivo.
5. El botón VELOCIDAD (C) le permite cambiar la velocidad del ventilador. Se pueden seleccionar las siguientes velocidades: alta, media y lenta. Se encenderá el diodo correspondiente en el panel de control.
6. La función de humidificación del aire es operada por el botón COOL (F), baja la temperatura del aire al hacer funcionar la bomba de agua. Presione el botón (F) cuando haya agua dentro del tanque de agua ÚNICAMENTE, el diodo correspondiente se encenderá en el panel de control (12). Además, se adjunta un juego de dos recipientes de plástico (11). Los recipientes de plástico (11) deben llenarse con agua fría del grifo y no exceder el nivel máximo. A continuación, colóquelos varias horas dentro del congelador. Luego, coloque uno o ambos recipientes en el tanque de agua (9). Para soplar el aire fresco húmedo, el dispositivo debe llenarse con agua. Cuando el dispositivo esté en funcionamiento, verifique periódicamente el nivel del agua para ver si debe agregar agua. Presione el botón (F) nuevamente para apagar el aire húmedo frío.
7. Presionando la función de oscilación presionando el botón SWING (E) para proporcionar una distribución uniforme de la corriente de aire frío en la dirección izquierda y derecha. El diodo correspondiente se encenderá en el panel de control (12).
8. El botón TEMPORIZADOR (D) permite programar la cantidad de tiempo de operación con decrementos de 1 hora de 1 a 8 horas. Al presionar repetidamente este botón, se iluminará una combinación de diodos en el panel de control (12). La suma de las marcas de diodos encendidos significa el período elegido durante el cual el dispositivo funcionará antes de apagarlo automáticamente.
9. El botón MODE (B) permite cambiar entre uno de los 3 modos de soplado:
- viento normal, viento natural y modo de reposo. El diodo de modo elegido se iluminará en el panel de control (12).
 - a) Modo normal: permite al usuario ajustar manualmente la velocidad del ventilador entre alta, media y baja.
 - b) Modo natural: imita la acción natural del viento repitiendo la secuencia de velocidad del ventilador:
- * Cuando elige la velocidad baja del ventilador, el dispositivo se apaga y repite el ciclo siguiente: bajo 4 segundos + parada 2 segundos + medio 4 segundos + bajo 6 segundos + medio 4 segundos + parada 2 segundos + alto 2 segundos + bajo 6 segundos + medio 4 segundos + bajo 4 segundos + medio 2 segundos + bajo 4 segundos + medio 4 segundos + bajo 4 segundos + parada 2 segundos + alto 2 segundos + bajo 4 segundos + medio 2 segundos.
- * Cuando elige la velocidad media del ventilador, el dispositivo se apaga y repite el ciclo siguiente: bajo 4 segundos + medio 6 segundos + bajo 2 segundos + alto 2 segundos + parada 2 segundos + medio 4 segundos + bajo 4 segundos + medio 4 segundos + bajo 2 segundos + medio 4 segundos + bajo 4 segundos + alto 2 segundos + parada 2 segundos + medio 4 segundos + bajo 4 segundos + alto 4 segundos + parada 2 segundos + medio 4 segundos + alto 4 segundos.

* Cuando elige la velocidad rápida del ventilador, el dispositivo se apaga y repite el ciclo siguiente: alto 4 segundos + parada 2 segundos + medio 4 segundos + alto 4 segundos + bajo 4 segundos + alto 2 segundos + medio 4 segundos + alto 2 segundos + medio 4 segundos + alto 6 segundos + bajo 4 segundos + alto 4 segundos + medio 4 segundos + bajo 4 segundos + alto 4 segundos + medio 4 segundos.

c) Modo de suspensión: fue diseñado para usar los efectos del Modo natural para conciliar el sueño. Disminuirá gradualmente la velocidad del ventilador en incrementos de 30 minutos:

* Cuando elija la velocidad baja del ventilador: el ventilador funcionará igual que el modo natural de baja velocidad.

* Cuando elija la velocidad media del ventilador: el ventilador funcionará durante 30 minutos en el modo natural de velocidad media y luego cambiará al modo natural de baja velocidad.

* Cuando elija la velocidad alta del ventilador: el ventilador funcionará durante 30 minutos en el modo natural de alta velocidad, luego cambiará durante 30 minutos en el modo natural de velocidad media, luego cambiará al modo natural de baja velocidad.

OBSERVACIÓN: Si prefiere una velocidad constante del ventilador mientras duerme, le recomendamos que configure el ventilador en el modo normal y seleccione una velocidad baja. Utilice la función de temporizador para configurar el ventilador para que se apague después de un tiempo transcurrido (por ejemplo, 1 hora después de acostarse).

10. Todos los botones del control remoto (10) tienen las mismas funciones que los botones del panel de control (12). No coloque ningún objeto entre el dispositivo y el control remoto para garantizar una comunicación adecuada entre el control remoto y el dispositivo. Para iniciar la operación del control remoto (10), extraiga la película de instalación. Para reemplazar la batería, presione la lengüeta de liberación en la carcasa del control remoto como se muestra en la imagen E. Reemplace con una batería del mismo tipo, asegúrese de colocarla nuevamente en el polo de polarización correcto, vuelva a ensamblar la batería en orden inverso.

LIMPIEZA Y MANTENIMIENTO

Desenchufe siempre el dispositivo antes de comenzar a limpiar o agregar / drenar el agua o el movimiento del dispositivo.

1. Una vez finalizada la operación, antes de almacenar el dispositivo durante más tiempo, vacíe el depósito de agua y límpielo junto con todo el dispositivo.

2. Limpiar con un paño suave y seco. No utilice disolventes químicos porque pueden provocar daños permanentes o deformaciones en el dispositivo.

3. Si el dispositivo no se usa durante tres meses o más, saque las baterías del control remoto.

4. Después de un funcionamiento prolongado, la tapa con la red (7) y el filtro de evaporación (8) pueden obstruirse con el polvo, lo que afectará en gran medida el rendimiento de enfriamiento del dispositivo. Si durante mucho tiempo no se cambia el agua, puede haber moho. Sugerimos limpiar la cubierta con red (7) y filtro (8) una vez cada 10 días. El procedimiento de limpieza del filtro (8) es el siguiente:

a) Desenchufe el dispositivo, tire de la tapa trasera (7) por los dos huecos (16) para quitarla - mire la imagen D. Para quitar el filtro de evaporación (8) tire hacia atrás el pestillo del filtro (17), el plástico es flexible y le permitirá sacar el filtro de evaporación (8).

- b) Limpiar el filtro de evaporación (8) con una aspiradora. La cubierta con red (7) no debe frotarse con las manos para evitar la deformación de la red.
- c) Vuelva a colocar el filtro (8) y la tapa con la red (7).
- d) Asegúrese de que el depósito de agua (8), el filtro (5) y la tapa con red (7) estén colocados en la posición correcta antes de volver a encenderlos. Antes del almacenamiento estacional, asegúrese de que todas las piezas estén secas haciendo funcionar el modo de ventilador durante 2 horas o menos para asegurarse de que el filtro (5) esté completamente seco.
4. Drene el agua antes del almacenamiento estacional retirando el tanque de agua (capítulo Operación - punto 2). Use agua y jabón suave para limpiar el tanque de agua. Luego seque completamente el dispositivo y el tanque de agua para evitar daños por humedad.
5. Drene el agua de los recipientes de plástico (11) antes del almacenamiento.
6. Cubra el dispositivo con una bolsa de plástico para protegerlo del polvo y enrolle el cable de alimentación. Guarde el dispositivo en un lugar seco alejado de la luz solar directa.
7. Limpie el dispositivo y el tanque de agua antes del próximo uso.

DESCALCIFICACIÓN

1. Realice el procedimiento de descalcificación de acuerdo con las instrucciones del agente descalcificador especificado por el fabricante.
2. Utilice agentes descalcificadores previstos para este fin.
3. Realice el procedimiento de descalcificación al menos cada 3 meses.
4. Descalcifique el tanque de agua solo cuando el dispositivo se apague.

DATOS TÉCNICOS:

Fuente de alimentación 220-240V ~ 50-60 Hz

Potencia: 80 W

Potencia máxima: 350 W

Capacidad del tanque: 2 litros

Consumo de agua: 230 ml / hora

Batería: CR2025 (3 V)

Nivel de ruido: 59,4dB

Volumen de flujo de aire: 188,4m³ / h

Dimensiones del producto: 18,6 x 25,5 x 62,5 cm

Preocupación por el medio ambiente. Por favor, lleva las cajas de cartón a un sitio de reciclaje. Las bolsas de polietileno se deben tirar al cubo de la basura amarillo (para envases). El equipo gastado debe ser entregado en el punto de almacenamiento adecuado, porque las piezas que constituyen el equipo pueden suponer un peligro para el medio ambiente. Debes entregar el equipo Hay que devolver el equipo eléctrico con el fin de evitar su reutilización. Si en el equipo se encuentran pilas, hay que sacarlas y entregar por separado, en un punto de almacenamiento adecuado. No tires el equipo al contenedor para residuos urbanos!!



PORTUGUÊS

CONDIÇÕES DE SEGURANÇA. INSTRUÇÕES IMPORTANTES DE SEGURANÇA DE USO

LEIA COM ATENÇÃO E MANTENHA PARA REFERÊNCIA FUTURA

As condições de garantia são diferentes, se o dispositivo for usado para fins comerciais.

1. Antes de usar o produto, leia com atenção e sempre siga as instruções a seguir. O fabricante não é responsável por quaisquer danos devidos a qualquer uso indevido.
2. O produto só deve ser usado em ambientes internos. Não use o produto para nenhuma finalidade que não seja compatível com sua aplicação.
3. A tensão aplicável é 220-240V, ~ 50Hz. Por motivos de segurança, não é apropriado conectar vários dispositivos a uma tomada elétrica.
4. Por favor, tenha cuidado ao usar perto de crianças. Não deixe as crianças brincarem com o produto. Não deixe que crianças ou pessoas que não conheçam o dispositivo o utilizem sem supervisão.
5. AVISO: Este dispositivo pode ser usado por crianças com mais de 8 anos de idade e pessoas com capacidades físicas, sensoriais ou mentais reduzidas, ou pessoas sem experiência ou conhecimento do dispositivo, apenas sob a supervisão de uma pessoa responsável por sua segurança, ou se foram instruídos sobre o uso seguro do dispositivo e estão cientes dos perigos associados ao seu funcionamento. As crianças não devem

brincar com o dispositivo. A limpeza e a manutenção do aparelho não devem ser realizadas por crianças, a menos que tenham mais de 8 anos e as atividades sejam realizadas sob supervisão.

6. Após terminar de usar o produto, lembre-se sempre de remover com cuidado o plugue da tomada, segurando-a com a mão. Nunca puxe o cabo de alimentação !!!

7. Nunca deixe o produto conectado à fonte de alimentação sem supervisão. Mesmo quando o uso for interrompido por um curto período de tempo, desligue-o da rede e desconecte-o da tomada.

8. Nunca coloque o cabo de alimentação, a ficha ou todo o aparelho na água. Nunca exponha o produto às condições atmosféricas, como luz solar direta ou chuva, etc. Nunca use o produto em condições de umidade.

9. Verifique periodicamente a condição do cabo de alimentação. Se o cabo de alimentação estiver danificado, o produto deve ser encaminhado a um local de serviço profissional para ser substituído, a fim de evitar situações perigosas.

10. Nunca use o produto com um cabo de alimentação danificado ou se ele foi derrubado ou danificado de qualquer outra forma ou se não funcionar corretamente. Não tente consertar o produto defeituoso por conta própria, pois isso pode causar choque elétrico. Sempre leve o dispositivo danificado a um local de serviço profissional para repará-lo.

Todos os reparos podem ser feitos apenas por profissionais de serviço autorizados. O reparo que foi feito incorretamente pode causar situações perigosas para o usuário.

11. Nunca coloque o produto sobre ou próximo de superfícies quentes ou mornas ou de utensílios de cozinha, como forno elétrico ou queimador a gás.

12. Nunca use o produto próximo a combustíveis.

13. Não deixe o cabo pendurado na borda do balcão.

14. Não mergulhe a unidade do motor na água.

15. Para fornecer proteção adicional, é aconselhável instalar um dispositivo de corrente residual (RCD) no circuito elétrico com uma corrente residual nominal não superior a 30mA. Peça isso a um electricista.

16. Não insira os dedos ou quaisquer outros objetos na grade do invólucro do dispositivo.

17. Não bloqueie a saída.

18. Ao terminar, antes de guardá-lo, drene a água do dispositivo.

19. Se o dispositivo não for usado por um longo período, desconecte-o da fonte de alimentação.

20. Sempre use baterias novas para substituir as baterias gastas no controle remoto.

21. Não mova o dispositivo quando o tanque interno estiver cheio de água.

22. Não coloque nenhum objeto sobre o dispositivo.

23. O dispositivo só pode ser usado com ventilação funcionando corretamente.

Antes do primeiro uso

1. Deve-se lembrar que um alto nível de umidade pode favorecer o desenvolvimento de organismos biológicos no meio ambiente.
2. Não molhe o dispositivo ou molhe a área ao redor do dispositivo. Se houver umidade, reduza a eficiência da função de umidificação.
3. Não permita que materiais absorventes como tapetes, cortinas e toalhas de mesa se molhem.
4. Nunca deixe água no tanque quando o dispositivo não estiver em uso.

- AVISO: Quando a água não é substituída e o tanque não é devidamente limpo a cada 3 dias, microorganismos que podem estar presentes na água ou no ambiente onde o dispositivo é usado ou armazenado podem se desenvolver no tanque de água e ser expelidos para os arredores. Isso pode causar um risco muito sério para a saúde.
- ATENÇÃO: A cada três dias esvazie o reservatório de água e ateste com água limpa. Antes de reabastecer, limpe o tanque com água fresca da torneira ou com detergentes. Remova qualquer incrustação, depósitos ou filme que se formou nas laterais do tanque e nas superfícies internas. Após a lavagem, seque todas as superfícies.
- 5. Quando o dispositivo é usado pela primeira vez, o motor do dispositivo pode produzir um odor que se dissipará em uma semana de uso. Não é necessária sua ação neste caso.

DESCRIÇÃO DO PRODUTO Refrigerador de ar sem lâmina Ms7856

- | | |
|---|-------------------------|
| 1. Alça | 2. Saída de ar |
| 3. Alça para controle manual da direção do fluxo de ar para cima / para baixo | 4. Alojamento frontal |
| 5. Medidor de nível de água | 6. Alojamento traseiro |
| 7. Tampa traseira com rede | 8. Filtro de evaporação |
| 9. Tanque de água | 10. Controle remoto |
| 11. Caixas de gelo | 12. Pannel de controle |
| 13. Bloqueio do tanque de água | 14. Trava da bomba |
| 15. Bomba | 16. Recesso da tampa |
| 17. Travas de filtro | |

Controle remoto e painel de controle - imagem B

- | | |
|---------------------------------------|---------------------------------|
| A - botão liga / desliga | B - botão de modo |
| C - botão de velocidade do ventilador | D - botão do temporizador |
| E - botão do temporizador | F - botão de refrigeração úmida |

OPERAÇÃO

Uma redução perceptível na temperatura do ar de saída ocorre após colocar no tanque de água (9) os recipientes de plástico (11) que acompanham o produto. Os recipientes de plástico devem ser previamente congelados no freezer por algumas horas. Recomenda-se encher o recipiente de plástico (11) com água fria da torneira e não exceder o nível MAX marcado no recipiente de plástico. O conteúdo do recipiente de plástico é proibido para comestível. Mantenha fora do alcance das crianças.

1. Coloque o dispositivo em uma superfície plana e seca. Se a superfície não for plana, o dispositivo pode começar a vibrar e obter ruído anormal.
2. Gire a trava do tanque de água (13) para a posição plana, conforme mostrado nas imagens C1 e C2. Em seguida, retire um pouco o reservatório de água (9) da parte traseira do aparelho. Use o jarro para derramar água limpa e fria, tome cuidado para não exceder o nível máximo marcado no medidor de nível de água (5) na frente do dispositivo. Você pode despejar água sem puxar o tanque de água completamente. Durante o enchimento e a limpeza, desconecte o aparelho da rede elétrica.
3. Para remover completamente o tanque de água, observe a figura C3-C6. Em primeiro lugar, remova a bomba (15), liberando uma trava da bomba (14) e puxe o tanque de água (8). Não retire a bomba, deixe-a permanecer conectada ao alojamento principal. Ao recolocar o reservatório de água (9), preste atenção para não apertar os tubos de água conectados à bomba. Depois de despejar a água, gire a trava do tanque de água (13) para a posição horizontal. Não incline o dispositivo depois de despejar a água no tanque de água. Não remova o tanque de água enquanto o dispositivo estiver conectado à fonte de alimentação.
4. Conecte o plugue à fonte de alimentação. Agora pode ser utilizado painel de controle (12) ou controle remoto (10) para operar o dispositivo (figura B). Ligue o dispositivo pressionando o botão liga / desliga (A). Pressione o botão (A) novamente para desligar o aparelho.
5. O botão SPEED (C) permite alterar a velocidade do ventilador. As seguintes velocidades podem ser selecionadas: alta, média e lenta. O diodo correspondente no painel de controle acenderá.
6. A função de umidificação do ar é operada pelo botão COOL (F), que reduz a temperatura do ar acionando a bomba de água. Pressione o botão (F) quando houver água APENAS dentro do reservatório, o diodo correspondente acenderá no painel de controle (12). Além disso, um conjunto de dois recipientes de plástico (11) é anexado. Os recipientes de plástico (11) devem ser enchidos com água fria da torneira e não devem exceder o nível máximo. Em seguida, coloque-os no freezer por várias horas. Em seguida, coloque um ou ambos os recipientes no tanque de água (9). Para soprar o ar fresco úmido, o dispositivo deve ser enchido com água. Quando o dispositivo estiver funcionando, verifique periodicamente o nível de água para ver se deve adicionar água. Pressione o botão (F) novamente para desligar o sopro de ar frio úmido.
7. Pressione a função de oscilação pressionando o botão SWING (E) para fornecer uma distribuição uniforme do fluxo de ar frio nas direções esquerda e direita. O diodo correspondente acenderá no painel de controle (12).
8. O botão TIMER (D) permite programar a quantidade de tempo de operação com decréscimos de 1 hora de 1 a 8 horas. Pressionar repetidamente este botão acenderá uma combinação de diodos no painel de controle (12). A soma da marcação dos diodos acesos significa o período escolhido em que o dispositivo irá operar antes de desligar o dispositivo automaticamente.
9. O botão MODE (B) permite alterar entre um dos 3 modos de sopro: vento normal, vento natural e modo de espera. O diodo do modo escolhido acenderá no painel de controle (12).

- a) Modo normal: permite ao usuário ajustar manualmente a velocidade do ventilador entre alta, média e baixa.
- b) Modo Natural: imita a ação natural do vento, repetindo a sequência de velocidade do ventilador:
- * Ao escolher a velocidade baixa do ventilador, o dispositivo apaga e repete o ciclo abaixo: baixo 4 segundos + parada 2 segundos + meio 4 segundos + baixo 6 segundos + médio 4 segundos + parada 2 segundos + alto 2 segundos + baixo 6 segundos + meio 4 segundos + baixo 4 segundos + médio 2 segundos + baixo 4 segundos + médio 4 segundos + baixo 4 segundos + parada 2 segundos + alto 2 segundos + baixo 4 segundos + médio 2 segundos.
 - * Ao escolher a velocidade média do ventilador, o dispositivo apaga e repete o ciclo abaixo: baixo 4 segundos + médio 6 segundos + baixo 2 segundos + alto 2 segundos + parada 2 segundos + médio 4 segundos + baixo 4 segundos + médio 4 segundos + baixo 2 segundos + médio 4 segundos + baixo 4 segundos + alto 2 segundos + parada 2 segundos + médio 4 segundos + baixo 4 segundos + alto 4 segundos + parada 2 segundos + médio 4 segundos + alto 4 segundos.
 - * Ao escolher a velocidade rápida do ventilador, o dispositivo apaga e repete o ciclo abaixo: alto 4 segundos + parar 2 segundos + meio 4 segundos + alto 4 segundos + baixo 4 segundos + alto 2 segundos + médio 4 segundos + alto 4 segundos + parar 2 segundos + 4 segundos intermediários + 6 segundos altos + 4 segundos baixos + 4 segundos altos + 4 segundos intermediários + 4 segundos baixos + 4 segundos altos + 4 segundos intermediários.
- c) Modo Dormir: foi projetado para usar os efeitos do Modo Natural para adormecer. Isso diminuirá gradualmente a velocidade do ventilador em incrementos de 30 minutos:
- * Quando escolher a velocidade baixa do ventilador: o ventilador funcionará da mesma forma que o Modo Natural de baixa velocidade.
 - * Quando escolher a velocidade média do ventilador: o ventilador soprará 30 minutos no Modo Natural de velocidade média e, em seguida, mudará para o Modo Natural de baixa velocidade.
 - * Quando escolher a velocidade alta do ventilador: a ventoinha irá soprar 30 minutos no Modo Natural de alta velocidade, a seguir irá mudar por 30 minutos no Modo Natural de velocidade média, então irá mudar para o Modo Natural de baixa velocidade.
- OBSERVAÇÃO: Se você preferir uma velocidade constante do ventilador durante o sono, recomendamos configurar o ventilador para o modo normal e selecionar a velocidade baixa. Use a função do temporizador para definir o ventilador para desligar após um tempo decorrido (por exemplo, 1 hora depois de ir para a cama).
10. Todos os botões do controle remoto (10) têm as mesmas funções dos botões do painel de controle (12). Não coloque nenhum objeto entre o dispositivo e o controle remoto para garantir a comunicação adequada entre o controle remoto e o dispositivo. Para iniciar a operação do controle remoto (10), retire o filme de instalação. Para substituir a bateria, empurre a aba de liberação na caixa do controle remoto conforme mostrado na figura E. Substitua por uma bateria do mesmo tipo, preste atenção para colocá-la de volta no pólo correto de polarização, remonte a bateria na ordem inversa.

LIMPEZA E MANUTENÇÃO

Sempre desconecte o dispositivo antes de começar a limpar ou adicionar / drenar água ou mover o dispositivo.

1. Após o término da operação, antes de armazenar o aparelho por mais tempo, esvazie o reservatório de água e limpe-o junto com todo o aparelho.
2. Limpe com um pano macio e seco. Não use solventes químicos, pois podem causar danos permanentes ou deformação do dispositivo.
3. Se o dispositivo não for usado por três ou mais meses, retire as pilhas do controle remoto.
4. Após um longo tempo de operação, a tampa com rede (7) e filtro de evaporação (8) pode estar entupida com a poeira, o que afetará muito o desempenho de resfriamento do dispositivo. Se há muito tempo a água não é trocada, pode haver mofo. Sugerimos limpar a tampa com rede (7) e filtro (8) uma vez a cada 10 dias. O procedimento de limpeza do filtro (8) é o seguinte:
 - a) Desconecte o dispositivo, puxe a tampa traseira (7) por ambos os recessos (16) para removê-lo - veja a figura D. Para remover o filtro de evaporação (8) puxe a trava do filtro (17), o plástico é flexível e permitirá que você retire o filtro de evaporação (8).
 - b) Limpe o filtro de evaporação (8) com aspirador de pó. A cobertura com rede (7) não deve ser esfregada com as mãos para evitar a deformação da rede.
 - c) Volte a colocar o filtro (8) e a tampa com rede (7).
 - d) Certifique-se de que o reservatório de água (8), o filtro (5) e a tampa com rede (7) sejam recolocados na posição correta antes de ligar novamente. Antes do armazenamento sazonal, certifique-se de que todas as peças estão secas, executando o modo de ventilação por 2 horas ou menos para garantir que o filtro (5) esteja completamente seco.
4. Drene a água antes do armazenamento sazonal removendo o tanque de água (capítulo Operação - ponto 2). Use água e sabão neutro para limpar o tanque de água. Em seguida, seque o dispositivo e o tanque de água completamente para evitar danos por umidade.
5. Drene a água dos recipientes de plástico (11) antes do armazenamento.
6. Cubra o dispositivo com um saco plástico para protegê-lo contra poeira e enrole o cabo de alimentação. Armazene o dispositivo em local seco e protegido da luz solar direta.
7. Limpe o dispositivo e o tanque de água antes da próxima utilização.

DESCALCANDO

1. Execute o procedimento de descalcificação de acordo com as instruções do agente de descalcificação especificado pelo fabricante.
2. Use agentes descalcificantes destinados a este fim.
3. Realize o procedimento de descalcificação pelo menos a cada 3 meses.

4. Descalcifique o tanque de água somente quando o dispositivo estiver desligado.

DADOS TÉCNICOS:

Fonte de alimentação 220-240V ~ 50-60 Hz

Potência: 80 W

Potência máxima: 350 W

Capacidade do tanque: 2 litros

Consumo de água: 230 ml / hora

Bateria: CR2025 (3V)

Nível de ruído: 59,4dB

Volume do fluxo de ar: 188,4m³ / h

Dimensões do produto: 18,6 x 25,5 x 62,5 cm



Protecção do meio ambiente. Rogamos, os embalagens de cartão destinem-se para papéis velhos. Os sacos de polietileno (PE) devem-se colocar em contenedores para material plástico. O dispositivo usado deve-se levar a um ponto de armazenamento adequado porque os componentes perigosos que ficam dentro do dispositivo podem ser perigosos para o meio ambiente. O dispositivo elétrico deve-se entregar de modo que se reduza a sua nova utilização e uso. Se no dispositivo há pilhas, devem-se tirar e levar a um ponto de armazenamento em separado. Não colocar o dispositivo em contenedores para resíduos municipais!!

LIETUVIŲ

SAUGOS SĄLYGOS. SVARBIOS NAUDOJIMO NURODYMAI ATSARGIAI SKAITYKITE IR BŪKITE ATEITINĖS NUORODOS

Garantijos sąlygos skiriasi, jei prietaisas naudojamas komerciniais tikslais.

1. Prieš naudodami gaminį, atidžiai perskaitykite ir visada laikykitės toliau pateiktų nurodymų. Gamintojas neatsako už žalą, atsiradusią dėl netinkamo naudojimo.
2. Produktas turi būti naudojamas tik patalpose. Nenaudokite gaminio jokiais tikslais, kurie nesuderinami su jo taikymu.
3. Taikoma įtampa yra 220-240 V, ~ 50 Hz. Saugumo sumetimais netinka prie vieno maitinimo lizdo prijungti kelis įrenginius.
4. Būkite atsargūs, kai naudojate aplink vaikus. Neleiskite vaikams žaisti su gaminiu. Neleiskite vaikams ar žmonėms, kurie nepažįsta prietaiso, juo naudotis be priežiūros.
5. ĮSPĖJIMAS: Šį prietaisą gali naudoti vyresni nei 8 metų vaikai ir asmenys, turintys ribotą fizinį, jutiminių ar protinių galimybių, arba asmenys, neturintys patirties ar žinių apie prietaisą, tik prižiūrimi asmens, atsakingo už jų saugumą, arba jei jie buvo instruktuoti saugaus prietaiso naudojimo ir žino apie pavojus, susijusius su jo veikimu. Vaikai neturėtų žaisti su prietaisu. Prietaiso valymo ir priežiūros neturėtų atlikti vaikai, nebent jie yra vyresni nei 8 metų ir ši veikla atliekama prižiūrint.
6. Baigę naudoti gaminį visada nepamirškite švelniai ištraukti kištuko iš elektros lizdo ranka laikydami lizdą. Niekada netraukite maitinimo laido !!!
7. Niekada nepalikite gaminio prijungto prie maitinimo šaltinio be priežiūros. Net jei trumpam nutraukiamas naudojimas, išjunkite jį iš tinklo, atjunkite maitinimą.
8. Niekada nemeskite maitinimo laido, kištuko ar viso prietaiso į vandenį. Niekada nelaikykite gaminio atmosferos sąlygose, tokiose kaip tiesioginiai saulės spinduliai ar lietus ir pan. Niekada nenaudokite gaminio drėgnomis sąlygomis.
9. Periodiškai patikrinkite maitinimo kabelio būklę. Jei pažeistas maitinimo kabelis, gaminys turi būti perkeltas į profesionalų aptarnavimo vietą, kad būtų pakeista, kad būtų išvengta pavojingų situacijų.
10. Niekada nenaudokite gaminio su pažeistu maitinimo kabeliu, jei jis nukrito ar buvo pažeistas kitu būdu arba jei jis netinkamai veikia. Nemėginkite patys taisyti sugedusio gaminio, nes tai gali sukelti elektros šoką. Visada pasukite sugadintą prietaisą į profesionalų aptarnavimo vietą, kad galėtumėte jį pataisyti. Visus remonto darbus gali atlikti tik įgalioti techninės priežiūros specialistai. Neteisingai atliktas remontas gali sukelti

pavojingų situacijų vartotojui.

11. Niekada nedėkite gaminio ant karštų ar šiltų paviršių ar virtuvės prietaisų, pvz., Elektrinės orkaitės ar dujinio degiklio.
12. Niekada nenaudokite gaminio šalia degių medžiagų.
13. Neleiskite laidui kabėti virš prekystalio krašto.
14. Nemerkite variklio į vandenį.
15. Siekiant užtikrinti papildomą apsaugą, patartina elektros grandinėje sumontuoti liekamosios srovės įtaisą (RCD), kurio vardinė liekamoji srovė neviršija 30 mA. Dėl to paklauskite elektriko.
16. Nekiškite pirštų ar kitų daiktų į prietaiso korpuso groteles.
17. Neužblokuokite lizdo.
18. Kai tai padarysite, prieš išmesdami, iš prietaiso išleiskite vandenį.
19. Jei prietaisas nenaudojamas ilgą laiką, atjunkite jį nuo maitinimo šaltinio.
20. Visada naudokite naujas baterijas, kad pakeistumėte nuotolinio valdymo pulto išsikrovusias baterijas.
21. Nejudinkite prietaiso, kai vidinis bakas pripildytas vandens.
22. Nestatykite jokių daiktų ant prietaiso.
23. Prietaisą galima naudoti tik tinkamai veikiant ventilacijai.

Prieš pirmą naudojimą

1. Reikėtų prisiminti, kad didelis drėgmės lygis gali paskatinti biologinių organizmų vystymąsi aplinkoje.
 2. Nesušlapinkite prietaiso ir nesudrėkinkite vietos aplink prietaisą. Jei atsiranda drėgmės, sumažinkite drėkinimo funkcijos efektyvumą.
 3. Neleiskite sugerti absorbuojančių medžiagų, tokių kaip kilimai, užuolaidos, staltiesės.
 4. Niekada nepalikite vandens rezervuare, kai prietaisas nenaudojamas.
- **ISPEJIMAS:** Jei vanduo nepakeičiamas ir bakas nėra tinkamai valomas kas 3 dienas, vandens rezervuare gali atsirasti mikroorganizmų, kurie gali būti vandenyje arba aplinkoje, kurioje prietaisas naudojamas ar laikomas. apylinkes. Tai gali sukelti labai rimtą pavojų sveikatai.
 - **ISPEJIMAS:** kas tris dienas ištuštinkite vandens baką ir papildykite švari vandeniu. Prieš pildydami baką, išvalykite jį švari vandeniu iš čiaupo arba naudokite ploviklius. Pašalinkite apnašas, nuosėdas ar plėvelę, susidariusią bako šonuose ir vidiniuose paviršiuose. Po plovimo nuvalykite visus paviršius.
5. Kai prietaisas naudojamas pirmą kartą, jo variklis gali sukelti kvapą, kuris išsisklaidys per savaitę nuo naudojimo. Šiuo atveju jūsų veiksmų atlikti nereikia.

PRODUKTO APRĄŠYMAS Oro aušintuvas be ašmenų MS7856

- | | |
|---|-------------------------|
| 1. Rankena | 2. Oro išleidimo anga |
| 3. Rankena rankiniam oro srauto krypties valdymui aukštyn / žemyn | 4. Priekinis korpusas |
| 5. Vandens lygio matuoklis | 6. Galinis korpusas |
| 7. Galinis dangtelis su tinklu | 8. Garavimo filtras |
| 9. Vandens bakas | 10. Nuotolinis valdymas |
| 11. Ledo dėžės | 12. Valdymo skydelis |
| 13. Vandens bako užraktas | 14. Siurblio skląstis |
| 15. Siurblys | 16. Dangtelio įdubimas |
| 17. Filtrų skląščiai | |

Nuotolinis valdymas ir valdymo pultas - B pav

A - maitinimo mygtukas

C - ventiliatoriaus greičio mygtukas

Laikmačio mygtukas

B - režimo mygtukas

D - laikmačio mygtukas

F - drėgno aušinimo mygtukas

OPERACIJA

Į vandens baką (9) įdėjus plastikinius indus (11), esančius prie gaminio, pastebimai sumažėja išmetamo oro temperatūra. Plastikiniai indai turi būti keletą valandų šaldomi šaldiklyje. Rekomenduojama užpildyti plastikinį indą (11) šaltu vandentiekio vandeniu ir neviršyti ant plastikinio indo pažymėto MAX lygio. Plastikinės talpyklos turinys draudžiamas valgyti. Saugoti nuo vaikų.

1. Padėkite prietaisą ant sauso, lygaus paviršiaus. Jei paviršius nėra lygus, prietaisas gali pradėti vibruoti ir skleisti neįprastą triukšmą.
2. Pasukite vandens rezervuaro fiksatorių (13) į plokščią padėtį, kaip parodyta C1 ir C2 paveikslėliuose. Tada šiek tiek ištraukite vandens baką (9) iš prietaiso galinės pusės. Naudojami ašotį pilkite skaidrų, šaltą vandenį, būkite atsargūs ir neviršykite maksimalaus lygio, nurodyto vandens lygio matuoklyje (5), esančiame prietaiso priekyje. Galite pilti vandenį be ištraukdami vandens baką. Pildymo ir valymo metu atjunkite prietaisą nuo elektros tinklo.
3. Norėdami visiškai išimti vandens baką, pažiūrėkite į paveikslėlį C3-C6. Iš pradžių nuimkite siurbį (15), atleisdami vieną siurblio fiksatorių (14), ir ištraukite vandens baką (8). Neištraukite siurblio, leiskite jam likti prijungtam prie pagrindinio korpuso. Pastatę

- vandens rezervuara (9), būkite atsargūs, kad nesuspaustumėte prie siurblio prijungtų vandens vamzdžių. Išpylę vandenį, paspauskite vandens rezervuaro fiksatorių (13) į horizontalią padėtį. Pylę vandenį į vandens baką, prietaiso neverskite. Neišimkite vandens rezervuaro, kol prietaisas yra prijungtas prie maitinimo šaltinio.
- Prijunkite kištuką prie maitinimo šaltinio. Dabar prietaisui valdyti galima naudoti valdymo pultą (12) arba nuotolinio valdymo pultą (10) (pav. B). Įjunkite įrenginį paspausdami maitinimo mygtuką (A). Norėdami išjungti prietaisą, dar kartą paspauskite mygtuką (A).
 - Mygtukas SPEED (C) leidžia keisti ventiliatoriaus greitį. Galima pasirinkti tokius greičius: didelis, vidutinis ir lėtas. Užsieds atitinkamas diodas valdymo skydelyje.
 - Oru drėkinimo funkcija valdoma mygtuku COOL (F), ji sumažina oro temperatūrą paleisdama vandens siurbį. Paspauskite mygtuką (F), kai TIK vandens rezervuare yra vandens, valdymo skydelyje (12) užsieds atitinkamas diodas. Be to, priedamas dviejų plastikinių indų rinkinys (11). Plastikiniai indai (11) turi būti užpildyti šaltu vandeniu iš čiaupo ir neviršyti maksimalaus lygio. Tada įdėkite juos keletą valandų į šaldiklį. Tada įpilkite vieną arba abi talpyklas į vandens baką (9). Norėdami pūsti drėgną vėsu orą, prietaisas turi būti pripildytas vandens. Kai prietaisas veikia, periodiškai tikrinkite vandens lygį, ar norite įpilti vandens. Dar kartą paspauskite mygtuką (F), kad išjungtumėte šlapio šalto oro pūtimą.
 - Paspausdami tvyravimo funkciją paspausdami mygtuką SWING (E), užtikrinsite tolygų šalto oro srauto paskirstymą kairėn ir dešinėn. Atitinkamas diodas užsieds valdymo skydelyje (12).
 - Mygtukas TIMER (D) leidžia užprogramuoti veikimo laiką sumažinant 1 valandą nuo 1 iki 8 valandų. Pakartotinai paspaus šį mygtuką, valdymo skydelyje (12) užsieds diodų derinys. Apšviestų diodų žymėjimo suma reiškia pasirinktą laikotarpį, kurį prietaisas veiks prieš automatiškai išjungdamas įrenginį.
 - Mygtukas MODE (B) leidžia perjungti vieną iš 3 pūtimo režimų: normalus vėjas, natūralus vėjas ir miego režimas. Valdymo skydelyje (12) užsieds pasirinkto režimo diodas.
 - Įprastas režimas: leidžia vartotojui rankiniu būdu reguliuoti ventiliatoriaus greitį tarp didelio, vidutinio ir žemo.
 - natūralus režimas: imituoja natūralų vėjo veiksmą, pakartodamas ventiliatoriaus greičio seką:
 - * Pasirinkus mažą ventiliatoriaus greitį, prietaisas išsipučia ir pakartoja žemiau pateiktą ciklą: žemos 4 sekundės + sustabdymas 2 sekundės + vidurys 4 sekundės + žemas 6 sekundės + vidurys 4 sekundės + sustabdymas 2 sekundės + didelis 2 sekundės + žemas 6 sekundės + vidurys 4 sekundės + žemos 4 sekundės + vidurio 2 sekundės + žemos 4 sekundės + vidurio 4 sekundės + žemos 4 sekundės + vidurio 2 sekundės + žemos 4 sekundės + vidurio 4 sekundės + žemos 4 sekundės + vidurio 2 sekundės.
 - * Pasirinkus vidutinį ventiliatoriaus greitį, prietaisas išsipučia ir pakartoja žemiau pateiktą ciklą: žemos 4 sekundės + vidutinės 6 sekundės + žemos 2 sekundės + aukšta 2 sekundės + sustabdymas 2 sekundės + vidurys 4 sekundės + žemas 4 sekundės + vidurys 4 sekundės + mažas 2 sekundės + vidurys 4 sekundės + žemos 4 sekundės + aukšta 2 sekundės + sustabdymas 2 sekundės + vidurys 4 sekundės + žemos 4 sekundės + aukšta 4 sekundės + sustabdymas 2 sekundės + vidurys 4 sekundės + aukšta 4 sekundės.
 - Pasirinkus greitą ventiliatoriaus greitį, prietaisas išsipučia ir kartoja žemiau pateiktą ciklą: aukšta 4 sekundės + sustabdymas 2 sekundės + vidurys 4 sekundės + aukštas 4 sekundės + žemas 4 sekundės + didelis 2 sekundės + vidurys 4 sekundės + didelis 4 sekundės + sustabdymas 2 sekundės + vidurys 4 sekundės + aukšta 6 sekundės + žemos 4 sekundės + aukšta 4 sekundės + vidurio 4 sekundės + žemos 4 sekundės + aukšta 4 sekundės + vidurio 4 sekundės.
 - Miego režimas: buvo sukurtas naudoti natūralaus režimo efektus užmigti. Tai palapsniui mažins ventiliatoriaus greitį kas 30 minučių.
 - * Pasirinkus mažą ventiliatoriaus greitį: ventiliatorius veiks taip pat, kaip ir mažo greičio natūralus režimas.
 - * Kai pasirinktate vidutinį ventiliatoriaus greitį: ventiliatorius pūs 30 minučių vidutiniu greičiu Natūralus režimas, tada perjunkite į mažo greičio natūralų režimą.
 - * Kai pasirinktate didelį ventiliatoriaus greitį: ventiliatorius pūs 30 minučių dideliu greičiu natūraliu režimu, po to 30 minučių perjungs vidutinio greičio natūralų režimą, tada persijungs į mažo greičio natūralų režimą.
- PASTABA: jei miego metu pageidaujate pastovaus ventiliatoriaus greičio, rekomenduojame nustatyti ventiliatorių į normalų režimą ir pasirinkti mažą greitį. Naudodami laikmačio funkciją nustatykite, kad ventiliatorius išsijungtų praėjus tam tikram laikui (pvz., 1 valandai po miego).
- Visi nuotolinio valdymo pulto (10) mygtukai turi tas pačias funkcijas kaip ir valdymo pulto (12) mygtukai. Nestatykite jokių daiktų tarp prietaiso ir nuotolinio valdymo pulto, kad užtikrintumėte tinkamą nuotolinio valdymo pulto ir prietaiso ryšį. Norėdami pradėti valdyti nuotolinio valdymo pultą (10), ištraukite montavimo plevėlę. Norėdami pakeisti bateriją, paspauskite nuotolinio valdymo pulto korpuso atlaisvinimo skirtuką, kaip parodyta E paveikslėlyje. Pakeiskite to paties tipo bateriją, atkreipkite dėmesį į tai, kad ją vėl įstatytumėte į tinkamą poliarizacijos polių, ir surinkite bateriją atvirksline tvarka.

VALYMAS IR PRIEŽIŪRA

Visada atjunkite prietaisą nuo elektros lizdo, prieš pradėdami valyti, įpilti/ išleisti vandenį ar judėti.

- Baigę darbą, prieš laikydami prietaisą ilgiau, ištuštinkite vandens baką ir išvalykite jį bei visą prietaisą.
- Nuvalykite minkšta, sausa šluoste. Nenaudokite cheminių tirpiklių, nes jie gali sukelti nuolatinį prietaiso pažeidimą ar deformaciją.
- Jei prietaisas nenaudojamas tris ar daugiau mėnesių, išimkite baterijas iš nuotolinio valdymo pulto.
- Po ilgo veikimo dangtelis su tinklu (7) ir garinimo filtru (8) gali būti užsikimšęs dulkmėmis, o tai labai paveiks prietaiso aušinimo efektyvumą. Jei vanduo ilgą laiką nekeičiamas, gali atsirasti pelėsių. Siūlome valyti dangtelį tinklu (7) ir filtru (8) kartą per 10 dienų. Filtru (8) valymo procedūra yra tokia:
 - Atjunkite prietaisą, ištraukite galinį dangtelį (7) už abiejų įdubų (16) - pažiūrėkite į D paveikslėlį. Norėdami nuimti garinimo filtrą (8), patraukite atgal filtro fiksatorių (17), plastikas yra lankstus ir leis išimti garinimo filtrą (8).
 - Išvalykite garinimo filtrą (8) dulkių siurbliu. Dangtelio su tinklu (7) negalima trinti rankomis, kad nebūtų deformuotas tinklas.
 - Įdėkite filtrą (8) ir dangtelį su tinklu (7) atgal į vietą.
 - Prieš vėl įjungdami įsitikinkite, kad vandens bakas (8), filtras (5) ir dangtelis su tinkleliu (7) yra pakeisti tinkamoje padėtyje. Prieš sezoninį saugojimą įsitikinkite, kad visos dalys yra sausos, įjungdami ventiliatoriaus režimą 2 valandas ar trumpiau, kad filtras (5) būtų visiškai sausas.
- Prieš sezoninį saugojimą išleiskite vandenį, išimdami vandens baką (skyrus „Valymas“ - 2 punktas). Vandens baką valykite švelniu muilu ir vandeniui. Tada visiškai išdžiovinkite prietaisą ir vandens baką, kad nepažeistumėte drėgmės.
- Prieš laikydami iš plastikinių indų (11), išleiskite vandenį.
- Uždenkite prietaisą plastikiniu maišeliu, kad apsaugotumėte nuo dulkių ir suvyniokite maitinimo laidą. Prietaisą laikykite sausoje vietoje, apsaugotoje nuo tiesioginių saulės spindulių.
- Prieš kitą naudojimą išvalykite prietaisą ir vandens baką.

ATKALINIMAS

1. Atlikite nukalkinimo procedūru pagal gamintojo nurodytas nukalkinimo priemones instrukcijas.
2. Naudokite šiam tikslui skirtas nukalkinimo priemones.
3. Atlikite nukalkinimo procedūrą bent kas 3 mėnesius.
4. Nukalkite vandens bakelį tik tada, kai prietaisas yra išjungtas.

TECHNINIAI DUOMENYS:

Maitinimo šaltinis 220-240V ~ 50-60 Hz

Galia: 80 W

Maksimali galia: 350 W

Bako talpa: 2 litrai

Vandens suvartojimas: 230 ml / val

Baterija: CR2025 (3V)

Triukšmo lygis: 59,4 dB

Oro srautas: 188,4m3/h

Gaminio matmenys: 18,6 x 25,5 x 62,5 cm



Rūpinantis aplinka. Kartono pakuotes atiduoti į makulatūrą. Polietileno (PE) maišelius mesti į plastikui skirtą konteinerį. Susidėvėjusį prietaisą atiduoti į atitinkamą atliekų surinkimo vietą, nes prietaise esančios pavojingos medžiagos gali kelti grėsmę aplinkai. Elektrinį prietaisą atiduoti tokį, kad nebūtų galima jo pakartotinai naudoti ir panaudoti. Jeigu prietaise yra baterijos, būtina jas išimti ir atskirai atiduoti į atliekų surinkimo vietą. Nemesti prietaiso į buitinių atliekų konteinerį!

LATVIEŠU

DROŠĪBAS NOSACĪJUMI. SVARĪGI NORĀDĪJUMI PAR LIETOŠANAS DROŠĪBU LŪDZU, RŪPĪGI IZLASIET UN SAGLABĀJIET NĀKOTNES ATSAUCEI

Garantijas nosacījumi ir atšķirīgi, ja ierīce tiek izmantota komerciāliem mērķiem.

1. Pirms produkta lietošanas, lūdzu, rūpīgi izlasiet un vienmēr ievērojiet tālāk sniegtos norādījumus. Ražotājs nav atbildīgs par jebkādiem bojājumiem, kas radušies nepareizas lietošanas dēļ.
2. Produkts ir paredzēts lietošanai tikai telpās. Nelietojiet izstrādājumu jebkādiem mērķiem, kas nav saderīgi ar tā pielietojumu.
3. Piemērojamais spriegums ir 220-240V, ~ 50Hz. Drošības apsvērumu dēļ nav pareizi savienot vairākas ierīces vienā kontaktligzdā.
4. Lūdzu, esiet piesardzīgs, lietojot kopā ar bērniem. Neļaujiet bērniem spēlēties ar izstrādājumu. Neļaujiet bērniem vai cilvēkiem, kuri nepazīst ierīci, to izmantot bez uzraudzības.
5. BRĪDINĀJUMS: Šo ierīci drīkst izmantot bērni, kas vecāki par 8 gadiem, un personas ar ierobežotām fiziskām, maņu vai garīgām spējām, vai personas, kurām nav pieredzes vai zināšanas par šo ierīci, tikai tās personas uzraudzībā, vai ja viņi ir instruēti par ierīces drošu lietošanu un apzinās ar tās darbību saistītos draudus. Bērni nedrīkst spēlēties ar ierīci. Ierīces tīrīšanu un apkopi nedrīkst veikt bērni, ja vien viņi nav vecāki par 8 gadiem un šīs darbības tiek veiktas uzraudzībā.
6. Kad esat beidzis lietot produktu, vienmēr atcerieties, ka ar roku uzmanīgi izņemiet kontaktdakšu no kontaktligzdas. Nekad nevelciet barošanas kabeli !!!
7. Nekad neatstājiet izstrādājumu pieslēgtu strāvas avotam bez uzraudzības. Pat tad, ja lietošana īslaicīgi tiek pārtraukta, izslēdziet to no tīkla, atvienojiet strāvas padevi.
8. Nekad nelieciet strāvas kabeli, kontaktdakšu vai visu ierīci ūdenī. Nekad nepakļaujiet izstrādājumu atmosfēras apstākļiem, piemēram, tiešai saules gaismai vai lietum utt. Nekad neizmantojiet izstrādājumu mitros apstākļos.
9. Periodiski pārbaudiet strāvas kabeļa stāvokli. Ja strāvas kabelis ir bojāts, produkts jānogādā profesionālā servisa vietā, lai to nomainītu, lai izvairītos no bīstamām situācijām.
10. Nekad neizmantojiet izstrādājumu ar bojātu strāvas vadu, ja tas ir nokritis vai citādi bojāts vai ja tas nedarbojas pareizi. Nemēģiniet pats labot bojāto produktu, jo tas var izraisīt elektriskās strāvas triecienu. Vienmēr nogādājiet bojāto ierīci profesionālā servisa

viētā, lai to salabotu. Visus remontdarbus var veikt tikai pilnvaroti servisa speciālisti. Nepareizi veikts remonts var radīt bīstamas situācijas lietotājam.

11. Nekad nelieciet izstrādājumu uz karstām vai siltām virsmām vai virtuves ierīcēm, piemēram, elektriskās cepeškrāsns vai gāzes degļa, vai to tuvumā.

12. Nekad neizmantojiet produktu degošu vielu tuvumā.

13. Neļaujiet vadam karāties virs letes malas.

14. Neiegremdējiet motora bloku ūdenī.

15. Lai nodrošinātu papildu aizsardzību, ieteicams elektriskajā ķēdē uzstādīt atlikušās strāvas ierīci (RCD) ar nominālo atlikušo strāvu, kas nepārsniedz 30 mA. Par to jautājiel elektrīķim.

16. Neievietojiet pirkstus vai citus priekšmetus ierīces korpusa režģī.

17. Nebloķējiet kontakligzdu.

18. Kad tas ir izdarīts, pirms tā ievietošanas izlejiet no ierīces ūdeni.

19. Ja ierīce ilgstoši netiek izmantota, atvienojiet to no strāvas avota.

20. Vienmēr izmantojiet jaunas baterijas, lai nomainītu izlādētās baterijas tālvadības pultī.

21. Nekustīniet ierīci, kad iekšējā tvertne ir piepildīta ar ūdeni.

22. Nenovietojiet uz ierīces nekādus priekšmetus.

23. Ierīci var izmantot tikai ar pareizi strādājošu ventilāciju.

Pirms pirmās lietošanas

1. Jāatceras, ka augsts mitruma līmenis var veicināt bioloģisko organismu attīstību vidē.

2. Nesaslapiniet ierīci un nesamitriniet tās apkārtni. Ja parādās mitrums, samaziniet mitrināšanas funkcijas efektivitāti.

3. Neļaujiet uzsūkties absorbējošiem materiāliem, piemēram, paklājiem, aizkariem, galdautiem.

4. Nekad neatstājiet ūdeni tvertnē, kad ierīce netiek lietota.

• BRĪDINĀJUMS: Ja ūdens netiek nomainīts un tvertne netiek iztīrta ik pēc 3 dienām, ūdens tvertnē var attīstīties mikroorganismi, kas var atrasties ūdenī vai vidē, kurā ierīce tiek izmantota vai uzglabāta. apkārtni. Tas var radīt ļoti nopietnu veselības apdraudējumu.

• BRĪDINĀJUMS: ik pēc trim dienām iztukšojiet ūdens tvertni un uzpildiet ar tīru ūdeni. Pirms uzpildīšanas tīriet tvertni ar svaigu krāna ūdeni vai izmantojot mazgāšanas līdzekļus. Noņemiet katlakmens, nogulsnes vai plēvi, kas izveidojusies tvertnes sānos un uz iekšējām virsmām. Pēc mazgāšanas noslaukiet visas virsmas.

5. Kad ierīce tiek lietota pirmo reizi, tās motors var radīt smaku, kas pazūd nedēļas laikā pēc lietošanas. Šajā gadījumā jūsu darbība nav nepieciešama.

PRECES APRAKSTS Gaisa dzesētājs bez asmeņiem MS7856

1. Rokturis

3. Rokturis manuālai augšup / lejup gaisa plūsmas virziena kontrolei

5. Ūdens līmeņa mēritājs

7. Aizmugurējais vāks ar tīklu

9. Ūdens tvertne

11. Ledus kastes

13. Ūdens tvertnes slēdzene

15. Sūkņis

17. Filtra aizbīdņi

2. Gaisa izplūde

4. Priekšējais korpus

6. Aizmugurējais korpus

8. Izlvaikošanas filtrs

10. Tālvadības pults

12. Vadības panelis

14. Sūkņa aizbīdņis

16. Vāka padziļinājums

Tālvadības pults un vadības panelis - B attēls

A - barošanas poga

C - ventilatora ātruma poga

E - taimera poga

B - režīma poga

D - taimera poga

F - mitrās dzesēšanas poga

DARBĪBA

Ievērojams izplūdes gaisa temperatūras pazeminājums notiek pēc tam, kad ūdens tvertnē (9) ir ievietoti izstrādājumā iekļautie plastmasas trauki (11). Plastmasas traukus iepriekš vajadzētu sasaldēt saldētavā dažas stundas. Ieteicams piepildīt plastmasas trauku (11) ar aukstu krāna ūdeni un nepārsniegt uz plastmasas trauka atzīmēto MAX līmeni. Plastmasas trauka saturs ir aizliegts līdz ēdamam. Sargāt no bērniem.

1. Novietojiet ierīci uz sausas, līdzenas virsmas. Ja virsma nav plakana, ierīce var sākt vibrēt un iegūt neparastu troksni.

2. Pagrieziet ūdens tvertnes slēdzeni (13) līdzenā stāvoklī, kā parādīts attēlos C1 un C2. Pēc tam nedaudz izvelciet ūdens tvertni (9) no ierīces aizmugures. Izmantojiet krūzi tīra, auksta ūdens ieļišānai, uzmanieties, lai nepārsniegtu maksimālo līmeni, kas atzīmēts ūdens līmeņa mēritājā (5) ierīces priekšpusē. Jūs varat ieliet ūdeni bez izvelkot ūdens tvertni. Uzpildīšanas un tīrīšanas laikā atvienojiet ierīci no elektrotīkla.

3. Lai pilnībā izņemtu ūdens tvertni, apskatiet attēlu C3-C6. Vispirms noņemiet sūkni (15), atlaižot vienu sūkņa aizbīdni (14), un izvelciet ūdens tvertni (8). Nelieciet ūdeni, ļaujiet tam palīkt savienotam ar galveno korpusu. Novietojot ūdens tvertni (9) atpakaļ, uzmanieties, lai nesaspīestu sūknim pievienotās ūdens caurules.

Pēc ūdens ielešanas pagrieziet ūdens tvertnes slēdzeni (13) horizontālā stāvoklī. Pēc ūdens ielešanas ūdens tvertnē nelieciet ierīci. Neizņemiet ūdens tvertni, kamēr ierīce ir pievienota strāvas avotam.

4. Pievienojiet kontaktdakšu strāvas padevei. Tagad ierīces darbināšanai var izmantot vadības paneli (12) vai tālvadības pultī (10) (attēls B). Ieslēdziet ierīci, nospiežot barošanas pogu (A). Vēlreiz nospiediet pogu (A), lai izslēgtu ierīci.

5. Poga SPEED (C) ļauj mainīt ventilatora ātrumu. Var izvēlēties šādus ātrumus: liels, vidējs un lēns. Vadības panelī iedegsies atbilstošā diode.

6. Gaisa mitrināšanas funkciju darbina ar pogu COOL (F), tā pazemina gaisa temperatūru, iedarbinot ūdens sūkni. Nospiediet pogu (F), kad ūdens tvertnē ir TIKAI ūdens, uz vadības paneļa (12) iedegsies atbilstošā diode. Turklāt ir pievienots divu plastmasas trauku komplekts (11). Plastmasas trauki (11) jāaizpilda ar aukstu krāna ūdeni un nedrīkst pārsniegt maksimālo līmeni. Pēc tam ievietojiet tos vairākas stundas saldētavā. Pēc tam ievietojiet vienu vai abus konteinerus ūdens tvertnē (9). Lai izpūstu mitru vēsu gaisu, ierīcē jābūt piepildītai ar ūdeni. Kad ierīce darbojas, periodiski pārbaudiet ūdens līmeni, lai redzētu, vai pievienot ūdeni. Vēlreiz nospiediet pogu (F), lai izslēgtu aukstā gaisa pūšanu.

7. Nospiežot svārstību funkciju, nospiežot pogu SWING (E), lai aukstā gaisa plūsma vienmērīgi sadalītos pa kreisi un pa labi. Vadības panelī (12) iedegas atbilstošā diode.

8. Taimera poga (D) ļauj ieprogramēt darbības laiku ar 1 stundas samazinājumu no 1 līdz 8 stundām. Atkārtoti nospiežot šo pogu, vadības panelī (12) iedegas diodes. Izgaismoto diodes marķējuma summa nozīmē izvēlēto periodu, kurā ierīce darbosies pirms ierīces automātiskas izslēgšanas.

9. MODE poga (B) ļauj pārlēgties starp vienu no 3 pūšanas režīmiem:

normāls vējš, dabiskis vējš un miega režīms. Vadības panelī (12) iedegas izvēlēta režīma diode.

a) Normālais režīms: ļauj lietotājam manuāli pielāgot ventilatora ātrumu starp augstu, vidēju un zemu.

b) Dabiskais režīms: atdarina dabisko vēja darbību, atkārtojot ventilatora ātruma secību:

* Izvēloties zemo ventilatora ātrumu, ierīce izpūstas un atkārtos zemāk esošajā ciklā: zems 4 sekundes + apstāšanās 2 sekundes + vidēja 4 sekundes + zema 6 sekundes + vidēja 4 sekundes + apstāšanās 2 sekundes + augsta 2 sekundes + zema 6 sekundes + vidus 4 sekundes + zemas 4 sekundes + vidējās 2 sekundes + zemas 4 sekundes + vidējās 4 sekundes + zemās 4 sekundes + apstāšanās 2 sekundes + augstākās 2 sekundes + zemas 4 sekundes + vidējās 2 sekundes.

* Izvēloties vidējo ventilatora ātrumu, ierīce izpūstas un atkārtos zemāk: cikliski: zemas 4 sekundes + vidējās 6 sekundes + zemas 2 sekundes + augsta 2 sekundes + apstāšanās 2 sekundes + vidējās 4 sekundes + zema 4 sekundes + vidēja 4 sekundes + zema 2 sekundes + vidējās 4 sekundes + zemās 4 sekundes + augstākās 2 sekundes + apstāšanās 2 sekundes + vidējās 4 sekundes + zemās 4 sekundes + augstās 4 sekundes + apstāšanās 2 sekundes + vidējās 4 sekundes + augstākās 4 sekundes.

* Izvēloties ātru ventilatora ātrumu, ierīce izpūstas un atkārtos zemāk: cikliski 4 sekundes + apstāšanās 2 sekundes + vidējās 4 sekundes + augstākās 4 sekundes + zemās 4 sekundes + augstākās 2 sekundes + vidējās 4 sekundes + apstāšanās 4 sekundes + augstākās 4 sekundes + apstāšanās 2 sekundes + vidējās 4 sekundes + apstāšanās 4 sekundes + vidējās 4 sekundes + zemās 4 sekundes + apstāšanās 4 sekundes + vidējās 4 sekundes.

c) Miega režīms: tika izstrādāts, lai aizmierinātu izmantotu dabiskā režīma efektus. Tas pakāpeniski samazinās ventilatora ātrumu ar 30 minūšu soli:

* Izvēloties mazu ventilatora ātrumu: ventilators darbosies tāpat kā zema ātruma dabiskais režīms.

* Izvēloties vidējo ventilatora ātrumu: ventilators pūtīs 30 minūtes vidējā ātrumā Dabiskais režīms, pēc tam pārlēgsies uz mazu ātrumu Dabiskais režīms.

* Izvēloties lielu ventilatora ātrumu: ventilators pūtīs 30 minūtes lielā ātrumā dabiskajā režīmā, pēc tam 30 minūtes pārlēgsies vidējā ātrumā dabiskajā režīmā, pēc tam pārlēgsies uz mazu ātrumu dabisko režīmu.

PIEZĪME: Ja miega laikā dodat priekšroku nemainīgam ventilatora ātrumam, iesakām iestatīt ventilatoru normālā režīmā un izvēlēties mazu ātrumu. Izmantojiet taimera funkciju, lai iestatītu ventilatoru izslēgšanas pēc pagājušā laika (piemēram, 1 stundu pēc gulētiešanas).

10. Visām tālvadības pultīm (10) pogām ir tādas pašas funkcijas kā pogām vadības panelī (12). Nenovietojiet nekādus priekšmetus starp ierīci un tālvadības pultī, lai nodrošinātu pareizu saziņu starp tālvadības pultī un ierīci. Lai sāktu darbību ar tālvadības pultī (10), izvelciet montāžas plēvi. Lai nomainītu akumulatoru, nospiediet tālvadības pults korpusa atbrīvošanas mēli, kā parādīts E attēlā. Nomainiet ar tāda paša tipa bateriju, pievērsiet uzmanību tam, lai to ievietotu pareizajā polarizācijas polā, un salieciet akumulatoru apgrieztā secībā.

TĪRĪŠANA UN APKOPE

Vienmēr atvienojiet ierīci no elektrotīkla, pirms sākat tīrīt vai pievienot/ iztukšot ūdeni vai ierīces kustību.

1. Pēc darbības pabeigšanas, pirms ierīces ilgākas uzglabāšanas, iztukšojiet ūdens tvertni un notīriet to un visu ierīci.

2. Notīriet ar mitru, sausu drānu. Nelietojiet ķīmiskus šķīdinātājus, jo tie var izraisīt neatgriezeniskus ierīces bojājumus vai deformāciju.

3. Ja ierīce netiek izmantota trīs vai vairāk mēnešus, izņemiet baterijas no tālvadības pults.

4. Pēc ilgstošas darbības vāks ar tīklu (7) un iztvaikošanas filtru (8) var būt aizsērējis ar putekļiem, kas būtiski ietekmēs ierīces dzesēšanas veiktspēju. Ja ilgu laiku ūdens netiek apmaiņts, var būt pelējums. Mēs iesakām tīrīt vāku ar tīklu (7) un filtru (8) reizi 10 dienās. Filtra (8) tīrīšanas procedūra ir šāda:

a) Atvienojiet ierīci no elektrotīkla, velciet aizmugurējo vāciņu (7) aiz abiem padziņinājumiem (16), lai to noņemtu - skatiet attēlu D. Lai noņemtu iztvaikošanas filtru (8), pavelciet atpakaļ filtra aizbīdni (17), plastmasa ir elastīga un ļaus izņemt iztvaikošanas filtru (8).

b) Iztaicēšanas filtru (8) notīriet, izmantojot putekļu sūcēju. Pārvalku ar tīklu (7) nedrīkst berzēt ar rokām, lai izvairītos no tīkla deformācijas.

c) Ievietojiet atpakaļ filtru (8) un vāku ar tīklu (7).

d) Pirms atkārtotas ieslēgšanas pārliecinieties, ka ūdens tvertne (8), filtrs (5) un vāks ar tīklu (7) ir nomainīti pareizajā stāvoklī. Pirms sezonas uzglabāšanas pārliecinieties, ka visas detaļas ir sausas, darbinot ventilatora režīmu 2 stundas vai īsāku laiku, lai pārliecinātos, ka filtrs (5) ir pilnībā izžuvus.

4. Pirms sezonas uzglabāšanas izlejiet ūdeni, noņemot ūdens tvertni (nodalja Darbība - 2. punkts). Ūdens tvertnes tīrīšanai izmantojiet maigas ziepes un ūdeni. Pēc tam pilnībā nosusiniet ierīci un ūdens tvertni, lai izvairītos no mitruma bojājumiem.

5. Pirms uzglabāšanas izlejiet ūdeni no plastmasas traukiem (11).
6. Nosedziet ierīci ar plastmasas maisiņu, lai pasargātu no putekļiem, un satiniet strāvas vadu. Uzglabājiet ierīci sausā vietā, kur nav tiešu saules staru.
7. Pirms nākamās lietošanas notīriet ierīci un ūdens tvertni.

ATKALŠOŠANA

1. Veiciet atkalķošanas procedūru saskaņā ar ražotāja norādītajiem atkalķošanas līdzekļa norādījumiem.
2. Izmantojiet šim nolūkam paredzētos atkalķošanas līdzekļus.
3. Atkalķošanas procedūru veiciet vismaz reizi 3 mēnešos.
4. Atkalķojiet ūdens tvertni tikai tad, kad ierīce ir izslēgta.

TEHNISKIE DATI:

Barošanas avots 220-240V ~ 50-60 Hz

Jauda: 80 W

Maksimālā jauda: 350 W

Tvertnes tilpums: 2 litri

Ūdens patēriņš: 230 ml / stundā

Akumulators: CR2025 (3V)

Trokšņa līmenis: 59,4dB

Gaisa plūsmas apjoms: 188,4m³/h

Izstrādājuma izmēri: 18,6 x 25,5 x 62,5 cm



Apkārtējās vides aizsardzība. Kartona iepakojumu, lūdzu, nododiet atsevišķai pārstrādei. Polietilēna maisiņus (PE) izmest plastmasas izstrādājumiem paredzētajos konteineros. Lietotās elektroprecis nododiet attiecīgajos pieņemšanas punktos. Ierīcē satur bīstamas sastāvdaļas, kas var izraisīt draudus apkārtējai videi. Elektroierīce jānodod tā, lai ierobežotu tās atkārtotu izmantošanu. Ja ierīcē atrodas baterijas, izņemiet tās un nododiet pieņemšanas punktā atsevišķi. Produktu neizmest sadzīves atkritumu konteinerā!

EESTI

OHUTUSTINGIMUSED. OLULISED KASUTUSOHUTUSJUHISED PALUN LUGEGE HOOLIKALT JA JÄTKA JÄRGMISEKS

Garantiitingimused on erinevad, kui seadet kasutatakse äriilistel eesmärkidel.

1. Enne toote kasutamist lugege hoolikalt läbi ja järgige alati järgmisi juhiseid. Tootja ei vastuta väärkasutusest tulenevate kahjude eest.
2. Toodet tohib kasutada ainult siseruumides. Ärge kasutage toodet ühelgi eesmärgil, mis ei ühildu selle rakendusega.
3. Kohaldatav pinge on 220-240V, ~ 50Hz. Ohutuse huvides ei ole asjakohane ühendada mitut seadet ühte vooluvõrku.
4. Palun olge lastega kasutamisel ettevaatlik. Ärge laske lastel tootega mängida. Ärge lubage lastel ega inimestel, kes seadet ei tunne, seda ilma järelevalveta kasutada.
5. HOIATUS: Seda seadet võivad kasutada üle 8 -aastased lapsed ja piiratud füüsiliste, sensoorsete või vaimsete võimetega isikud või isikud, kellel pole seadmest kogemusi ega teadmisi, ainult nende ohutuse eest vastutava isiku järelevalve all või kui neid juhendati seadme ohutuks kasutamiseks ja nad on teadlikud selle kasutamise seotud ohtudest. Lapsed ei tohiks seadmega mängida. Seadet ei tohi puhastada ega hooldada lapsed, välja arvatud juhul, kui nad on üle 8 -aastased ja neid toiminguid teostatakse järelevalve all.
6. Pärast toote kasutamise lõpetamist pidage alati meeles, et eemaldage pistiku õrnalt vooluvõrgust, hoides seda käega. Ärge kunagi tõmmake toitekaablit !!!
7. Ärge kunagi jätkake toodet toiteallikaga ühendamata ilma järelevalveta. Isegi kui kasutamine on lühikeseks ajaks katkestatud, lülitage see võrgust välja ja eemaldage toide vooluvõrgust.
8. Ärge kunagi pange toitekaablit, pistikut ega kogu seadet vette. Ärge kunagi jätkake toodet atmosfääri, näiteks otsese päikesevalguse või vihma kätte. Ärge kunagi kasutage toodet niisketes tingimustes.
9. Kontrollige perioodiliselt toitekaabli seisukorda. Kui toitekaabel on kahjustatud, tuleb toode ohtlike olukordade vältimiseks asendada professionaalse teenindusega.

10. Ärge kunagi kasutage toodet kahjustatud toitekaabliga või kui see on maha kukkunud või muul viisil kahjustatud või kui see ei tööta korralikult. Ärge proovige kahjustatud toodet ise parandada, kuna see võib põhjustada elektrilöögi. Pöörake kahjustatud seade parandamiseks alati professionaalse teeninduspunkti. Kõiki parandustöid saavad teha ainult volitatud hooldustöötajad. Valesti tehtud remont võib põhjustada kasutajale ohtlikke olukordi.

11. Ärge kunagi asetage toodet kuumade või kuumade pindade või köögiseadmete (nt elektriahi või gaasipöleti) peale ega lähedale.
12. Ärge kunagi kasutage toodet põlevate ainete läheduses.
13. Ärge laske juhtmel üle leti serva rippuda.
14. Ärge kastke mootoriseadet vette.
15. Täiendava kaitse tagamiseks on soovitatav paigaldada vooluahelasse jääkvoolu seade (RCD), mille nimijääkvool ei ületa 30 mA. Küsige seda elektrikult.
16. Ärge sisestage sõrmi ega muid esemeid seadme korpuse võre külge.
17. Ärge blokeerige pistikupesasid.
18. Kui see on tehtud, tühjendage seadmest enne selle ära panemist vesi.
19. Kui seadet ei kasutata pikka aega, eemaldage see toiteallikast.
20. Kaugjuhtimispuddis tühjenenud patareide asendamiseks kasutage alati uusi patareisisid.
21. Ärge liigutage seadet, kui sisepaak on veega täidetud.
22. Ärge asetage seadmele esemeid.
23. Seadet saab kasutada ainult korralikult töötava ventilatsiooniga.

Enne esimest kasutamist

1. Tuleb meeles pidada, et kõrge õhuniiskus võib soodustada bioloogiliste organismide arengut keskkonnas.
2. Ärge tehke seadet märjaks ega märgake seadme ümbrust. Niiskuse ilmnemisel vähendage niisutusfunktsiooni tühustust.
3. Ärge laske imavatel materjalidel nagu vaibad, kardinad, laudlinad märjaks saada.
4. Ärge kunagi jätke vett paaki, kui seadet ei kasutata.
- HOIATUS: Kui vett ei vahetata ja paaki ei puhastata korralikult iga 3 päeva tagant, võivad veepaagis tekkida mikroorganismid, mis võivad esineda vees või seadme kasutamise või hoiustamise keskkonnas, ja puhuda välja ümbrus. See võib põhjustada väga tõsise terviseohtu.
- HOIATUS: tühjendage veepaak iga kolme päeva tagant ja lisage see puhta veega. Enne täitmist puhastage paak värske kraaniveega või pesuvahenditega. Eemaldage paagi külgedele ja sisepindadele tekkinud katlakivi, ladestused või kile. Pärast pesemist pühkige kõik pinnad kuivaks.
5. Seadme esmakordsel kasutamisel võib seadme mootor tekitada lõhna, mis hajub nädala jooksul pärast kasutamist. Sel juhul pole teie tegevust vaja.

TOOTE KIRJELDUS Teradeta õhujahuti MS7856

- | | |
|---|----------------------|
| 1. Käepide | 2. Õhu väljalaskeava |
| 3. Käepide käsitsi üles / alla õhuvoolu suuna reguleerimiseks | 4. Eesmine korpus |
| 5. Veetaseme näidik | 6. Tagumine korpus |
| 7. Tagakaas võrguga | 8. Aurustumisfilter |
| 9. Veepaak | 10. Kaugjuhtimispudd |
| 11. Jääkastid | 12. Juhtpaneel |
| 13. Veepaagi lukk | 14. Pumba riiv |
| 15. Pump | 16. Katte süvend |
| 17. Filtri riivid | |

Kaugjuhtimispudd ja juhtpaneel - pilt B

- | | |
|-------------------------------|-----------------------|
| A - toitenupp | B - režiiminupp |
| C - ventilaatori kiiruse nupp | D - taimerinupp |
| E - taimerinupp | F - märgjahutuse nupp |

KASUTAMINE

Väljalaskeõhu temperatuuri märgatav langus tekib pärast tootega kaasasolevate plastmahutite (11) panemist veepaaki (9). Plastmahutid tuleks eelnevalt mõneks tunniks sügavkülmutusse külmutada. Soovitatav on täita plastmahuti (11) külma kraaniveega ja mitte ületada plastmahutile märgitud MAX taset. Plastmahuti sisu on keelatud söödavaks. Hoida lastest eemal.

1. Asetage seade kuivale tasasele pinnale. Kui pind ei ole tasane, võib seade hakata vibreerima ja saada ebanormaalselt müra.
2. Keerake veepaagi lukk (13) lamedas asendisse, nagu on näidatud piltidel C1 ja C2. Seejärel tõmmake veidi veepaaki (9) seadme

tagaküljelt välja. Kasutage kannu selge ja külma vee valamiseks, olge ettevaatlik, et mitte ületada seadme ees veetaseme näidikul (5) märgitud maksimaalset taset. Saate valada vett ilma veepaaki täielikult välja tõmmates. Täitmise ja puhastamise ajal ühendage seade vooluvõrgust lahti.

3. Veepaagi täielikuks eemaldamiseks vaadake pilti C3-C6. Kõigepealt eemaldage pump (15), vabastades ühe pumba riivi (14) ja tõmmake veepaak (8) välja. Ärge tõmmake pumpa välja, laske sellel põhikorpusega ühenduses olla. Veemahuti (9) tagasi asetamisel jälgige, et pumbaga ühendatud veetorusid ei pigistaks kokku.

Pärast vee valamist keerake veepaagi lukk (13) horisontaalasendisse. Ärge kallutage seadet pärast vee valamist veepaaki. Ärge eemaldage veepaaki, kui seade on vooluvõrku ühendatud.

4. Ühendage pistik toiteallikaga. Nüüd saab seadme juhtimiseks kasutada juhtpaneeli (12) või kaugjuhtimispuhli (10) (joonis B). Lülitage seade sisse, vajutades toitenuppu (A). Seadme väljalülitamiseks vajutage uuesti nuppu (A).

5. Nupp SPEED (C) võimaldab muuta ventilaatori kiirust. Valida saab järgmisi kiirusi: kõrge, keskmine ja aeglane. Juhtpaneelil süttib vastav diod.

6. Õhu niisutamise funktsiooni juhib nupp COOL (F), see alandab õhu temperatuuri veepumba abil. Vajutage nuppu (F), kui veepaagis on AINULT vett, süttib vastav diod juhtpaneelil (12). Lisaks on kinnitatud kahe plastmahuti (11) komplekt. Plastmahutid (11) tuleb täita külma kraaniveega ega tohi ületada lubatud piirmäära. Seejärel pange need sügavkülmikusse mitu tundi. Seejärel pange üks või mõlemad mahutid veepaaki (9). Märja jaheda õhu puhumiseks tuleb seade täita veega. Kui seade töötab, kontrollige perioodiliselt veetaset, et näha, kas lisada vett. Märja külma õhu puhumise väljalülitamiseks vajutage uuesti nuppu (F).

7. Vajutades võnkumisfunktsiooni, vajutades nuppu SWING (E), tagab külma õhuvoolu ühtlase jaotumise vasakule ja paremale. Juhtpaneelil (12) süttib vastav diod.

8. Taimer nupp (D) võimaldab programmeerida tööaega 1 -tunnise vähendamisega 1-8 tunni. Selle nupu korduv vajutamine süttib juhtpaneelil (12) diodide kombinatsiooni. Valgustatud diodide märgistuse summa tähendab valitud perioodi, mil seade töötab enne seadme automaatset väljalülitamist.

9. Nupp MODE (B) võimaldab valida ühe kolmest puhumisrežiimist:

tavaline tuul, loomulik tuul ja unerežiim. Juhtpaneelil (12) süttib valitud režiimi diod.

a) Tavaline režiim: võimaldab kasutajal käsitsi reguleerida ventilaatori kiirust kõrge, keskmise ja madala vahel.

b) Looduslik režiim: jälgendab tuule loomulikku toimet, korras ventilaatori kiiruse jada:

* Kui valite väikese ventilaatori kiiruse, puhub seade välja ja kordab alljärgnevat tsüklit: madal 4 sekundit + stopp 2 sekundit + keskmine 4 sekundit + madal 6 sekundit + keskmine 4 sekundit + stopp 2 sekundit + kõrge 2 sekundit + madal 6 sekundit + keskmine 4 sekundit + madal 4 sekundit + keskmine 2 sekundit + madal 4 sekundit + keskmine 4 sekundit + madal 4 sekundit + peatus 2 sekundit + kõrge 2 sekundit + madal 4 sekundit + keskmine 2 sekundit.

* Kui valite keskmise ventilaatori kiiruse, puhub seade välja ja kordab tsüklit allpool: madal 4 sekundit + keskmine 6 sekundit + madal 2 sekundit + kõrge 2 sekundit + stopp 2 sekundit + keskmine 4 sekundit + madal 4 sekundit + keskmine 4 sekundit + madal 2 sekundit + keskmine 4 sekundit + madal 4 sekundit + kõrge 2 sekundit + peatus 2 sekundit + keskmine 4 sekundit + madal 4 sekundit + kõrge 4 sekundit + peatus 2 sekundit + keskmine 4 sekundit + madal 4 sekundit + kõrge 4 sekundit.

* Kui valite kiire ventilaatori kiiruse, puhub seade välja ja kordab alljärgnevat tsüklit: kõrge 4 sekundit + stopp 2 sekundit + keskmine 4 sekundit + kõrge 4 sekundit + madal 4 sekundit + kõrge 2 sekundit + keskmine 4 sekundit + kõrge 4 sekundit + stopp 2 sekundit + keskmine 4 sekundit + kõrge 6 sekundit + madal 4 sekundit + kõrge 4 sekundit + keskmine 4 sekundit + madal 4 sekundit + kõrge 4 sekundit + keskmine 4 sekundit.

c) Unerežiim: oli mõeldud loomuliku režiimi efektiivseks kasutamiseks uinumiseks. See vähendab ventilaatori kiirust järk-järgult 30 - minutiliste sammudega:

* Kui valite väikese ventilaatori kiiruse: ventilaator töötab sama moods nagu väikese kiirusega loomulik režiim.

* Kui valite keskmise ventilaatori kiiruse: ventilaator puhub 30 minutit keskmise kiirusega loomulikus režiimis ja lülitub seejärel madalale kiirusele.

* Kui valite suure ventilaatori kiiruse: ventilaator puhub 30 minutit suurel kiirusel loomulikus režiimis, seejärel lülitub see 30 minutiks keskmise kiirusega loomulikus režiimis, seejärel lülitub see madalale kiirusele.

TÄHELEPANU: Kui eelistate püsivat ventilaatori kiirust magades, soovime lülitada ventilaatori tavarežiimi ja valida väikese kiiruse. Kasutage taimer funktsiooni, et seadistada ventilaator pärast möödunud aega (nt 1 tund pärast magaminekut) välja lülitama.

10. Kõigil kaugjuhtimispuhli (10) nupudel on samad funktsioonid nagu juhtpaneelil (12). Ärge asetage seadme ja kaugjuhtimispuhli vahele esemeid, et tagada kaugjuhtimispuhli ja seadme vahel õige side. Kaugjuhtimispuhli (10) käivitamiseks tõmmake paigalduskile välja. Patarei vahetamiseks vajutage kaugjuhtimispuhli korpuse vabastuskaarti, nagu on näidatud pildil E. Asendage sama tüüpi patareiga, jälgige, et asetate selle tagasi õigesse polarisatsiooni poolusesse, pange patarei vastupidises järjekorras kokku.

PUHASTAMINE JA HOOLDUS

Eemaldage seade alati vooluvõrgust, enne kui hakkate puhastama või lisama/ tühjendama vett või seadme liikumist.

1. Pärast töö lõpetamist tühjendage veepaak enne seadme pikemat hoiustamist ning puhastage see ja kogu seade.

2. Puhastage pehme kuiva lapiga. Ärge kasutage keemilisi lahusteid, kuna need võivad põhjustada seadme püsivaid kahjustusi või deformatsiooni.

3. Kui seadet ei kasutata kolme või enama kuu jooksul, võtke patareid kaugjuhtimispuhlist välja.

4. Pärast pikaajalist kasutamist võib kate võrguga (7) ja aurustamisfiltriga (8) olla tolmust ummistunud, mis mõjutab oluliselt seadme jahutusvõimet. Kui pikka aega vett ei vahetata, võib tekkida hallitus. Soovitage puhastada katet võrguga (7) ja filtriga (8) üks kord iga 10 päeva tagant. Filtri (8) puhastusprotseduur on järgmine:

a) Ühendage seade vooluvõrgust lahti, tõmmake selle eemaldamiseks tagaaneast (7) mõlemast süvendist (16) - vaadake pilti D.

Aurustamisfiltr (8) eemaldamiseks tõmmake filtri riiv (17) tagasi, plastik on painduv ja võimaldab teil aurustamisfiltr (8) välja võtta.

b) Puhastage aurustamisfilter (8) tolmuimejaga. Võrguga katet (7) ei tohi võrgu deformatsiooni vältimiseks kättega hõõruda.

c) Pange filter (8) ja kate võrguga (7) tagasi oma kohale.

d) Veenduge, et veepaak (8), filter (5) ja kate võrguga (7) on enne uuesti sisselülitamist õiges asendis. Enne hooajalist ladustamist veenduge, et kõik osad on kuivad, käivitades ventilaatorirežiimi 2 tundi või vähem, veendumaks, et filter (5) on täielikult kuiv.

4. Enne hooajalist ladustamist tühjendage vesi, eemaldades veepaagi (peatükk Kasutamine - punkt 2). Veepaagi puhastamiseks kasutage pehmet seepi ja vett. Seejärel kuivatage seade ja veepaak täielikult, et vältida niiskuskahjustusi.

5. Enne ladustamist tühjendage vesi plastmahutitest (11).
6. Katke seade tolmust eest kaitsmiseks kilekotiga ja keerake toitejuhe kokku. Hoidke seadet kuivas kohas otsese päikesevalguse eest.
7. Puhastage seade ja veepaak enne järgmist kasutamist.

Katlakivi eemaldamine

1. Tehke katlakivi eemaldamise protseduur vastavalt tootja määratud katlakivieemaldusvahendi juhistelet.
2. Kasutage selleks ettenähtud katlakivieemaldusvahendeid.
3. Tehke katlakivi eemaldamise protseduur vähemalt iga 3 kuu tagant.
4. Katlakivi eemaldage veepaagilt ainult siis, kui seade on välja lülitatud.

TEHNILISED ANDMED:

Toide 220-240V ~ 50-60 Hz

Võimsus: 80 W

Maksimaalne võimsus: 350 W

Paagi maht: 2 liitrit

Veetarbimine: 230 ml / tund

Aku: CR2025 (3V)

Müratase: 59,4 dB

Õhuvoolu maht: 188,4m3/h

Toote mõõtmed: 18,6 x 25,5 x 62,5 cm



Hoolitse keskkonnakaitse eest.. Kartongist pakendid vii makulatuuri. Kilekotid (PE) viska kasutatud plastiku jaoks ettenähtud mahutitesse. Kasutatud seadmed vii selleks ettenähtud kogumispunktidesse, sest seadmes leiduvad ohtlikud elemendid võivad olla kahjulikud keskkonnale. Elektriseadmed tuleb anda nii ära, et seadet ei saaks enam uuesti kasutada. Kui seadmes on patareid, tuleb need välja võtta ja anda eraldi kogumispunkti. Seadet ei tohi visata olmejäätmete konteineritesse!!

ROMÂNĂ

CONDIȚII DE SIGURANȚĂ. INSTRUCȚIUNI IMPORTANTE PRIVIND SIGURANȚA DE UTILIZARE

CITIȚI CU ATENȚIE ȘI PĂSTRAȚI PENTRU REFERINȚE VIITOARE

Condițiile de garanție sunt diferite, dacă dispozitivul este utilizat în scopuri comerciale.

1. Înainte de a utiliza produsul, vă rugăm să citiți cu atenție și să respectați întotdeauna următoarele instrucțiuni. Producătorul nu este responsabil pentru daunele cauzate de utilizarea abuzivă.

2. Produsul trebuie utilizat numai în interior. Nu utilizați produsul în niciun scop care nu este compatibil cu aplicația sa.

3. Tensiunea aplicabilă este de 220-240V, ~ 50Hz. Din motive de siguranță, nu este adecvat să conectați mai multe dispozitive la o priză de curent.

4. Vă rugăm să fiți precauți când folosiți copiii. Nu lăsați copiii să se joace cu produsul. Nu permiteți copiilor sau persoanelor care nu cunosc dispozitivul să îl folosească fără supraveghere.

5. AVERTISMENT: Acest dispozitiv poate fi utilizat de copii cu vârsta peste 8 ani și de persoane cu capacități fizice, senzoriale sau mentale reduse sau persoane fără experiență sau cunoștințe ale dispozitivului, numai sub supravegherea unei persoane responsabile de siguranța lor sau dacă au fost instruiți cu privire la utilizarea în siguranță a dispozitivului și sunt conștienți de pericolele asociate funcționării acestuia. Copiii nu trebuie să se joace cu dispozitivul. Curățarea și întreținerea dispozitivului nu trebuie efectuate de copii, cu excepția cazului în care aceștia au peste 8 ani și aceste activități se desfășoară sub supraveghere.

6. După ce ați terminat de utilizat produsul, amintiți-vă întotdeauna să scoateți ușor ștecherul de la priza care ține priza cu mâna. Nu trageți niciodată cablul de alimentare !!!

7. Nu lăsați niciodată produsul conectat la sursa de alimentare fără supraveghere. Chiar și atunci când utilizarea este întreruptă pentru o perioadă scurtă de timp, opriți-o din rețea,

deconectați alimentarea.

8. Nu puneți niciodată cablul de alimentare, fișa sau întregul dispozitiv în apă. Nu expuneți niciodată produsul la condiții atmosferice, cum ar fi lumina directă a soarelui sau ploaia etc. Nu folosiți niciodată produsul în condiții de umiditate.

9. Verificați periodic starea cablului de alimentare. În cazul în care cablul de alimentare este deteriorat, produsul trebuie îndreptat către un loc de service profesional pentru a fi înlocuit, pentru a evita situațiile periculoase.

10. Nu folosiți niciodată produsul cu un cablu de alimentare deteriorat sau dacă a fost scăpat sau deteriorat în orice alt mod sau dacă nu funcționează corect. Nu încercați să reparați singur produsul defect deoarece poate duce la electrocutare. Rotiți întotdeauna dispozitivul deteriorat într-o locație de service profesională pentru a-l repara. Toate reparațiile pot fi efectuate numai de către profesioniști autorizați. Reparația care a fost făcută incorect poate provoca situații periculoase pentru utilizator.

11. Nu puneți niciodată produsul pe sau aproape de suprafețele calde sau calde sau de aparatele de bucătărie, cum ar fi cuptorul electric sau arzătorul cu gaz.

12. Nu folosiți niciodată produsul aproape de combustibili.

13. Nu lăsați cablul să atârne peste marginea blatului.

14. Nu scufundați unitatea motorului în apă.

15. Pentru a oferi o protecție suplimentară, este recomandabil să instalați un dispozitiv de curent rezidual (RCD) în circuitul electric cu un curent rezidual nominal care să nu depășească 30mA. Întrebați un electrician pentru asta.

16. Nu introduceți degete sau alte obiecte în grila carcasei dispozitivului.

17. Nu blocați priza.

18. Când ați terminat, înainte de a o îndepărta, scurgeți apa din dispozitiv.

19. Dacă dispozitivul nu este utilizat pentru o lungă perioadă de timp, deconectați-l de la sursa de alimentare.

20. Utilizați întotdeauna baterii noi pentru a înlocui bateriile golite de pe telecomandă.

21. Nu mișcați dispozitivul când rezervorul interior este umplut cu apă.

22. Nu așezați obiecte pe dispozitiv.

23. Dispozitivul poate fi utilizat numai cu ventilație funcțională.

Înainte de prima utilizare

1. Trebuie amintit că un nivel ridicat de umiditate poate favoriza dezvoltarea organismelor biologice din mediu.

2. Nu udați dispozitivul și nu udați zona din jurul acestuia. Dacă apare umiditate, reduceți eficiența funcției de umidificare.

3. Nu permiteți materialelor absorbante precum covoare, perdele, fețe de masă să se ude.

4. Nu lăsați niciodată apă în rezervor atunci când dispozitivul nu este utilizat.

• AVERTISMENT: Când apa nu este înlocuită și rezervorul nu este curățat corespunzător la fiecare 3 zile, microorganismele care pot fi prezente în apă sau în mediul în care dispozitivul este utilizat sau depozitat se pot dezvolta în rezervorul de apă și pot fi aruncate în aer. Împrejurimi. Acest lucru poate provoca un risc foarte grav pentru sănătate.

• AVERTISMENT: La fiecare trei zile, goliți rezervorul de apă și completați cu apă curată. Înainte de reumplere, curățați rezervorul cu apă proaspătă de la robinet sau folosind detergenți. Îndepărtați orice scară, depuneri sau film care s-a format pe părțile laterale ale rezervorului și pe suprafețele interioare. După spălare, ștergeți toate suprafețele uscate.

5. Când dispozitivul este utilizat pentru prima dată, motorul dispozitivului poate produce un miros care se va disipa în decurs de o săptămână de utilizare. Nu este necesară acțiunea dvs. în acest caz.

DESCRIEREA PRODUSULUI Răcitor de aer fără lamă MS7856

1. Mâner

3. Mânerul pentru controlul manual al direcției fluxului de aer sus / jos

5. Manometru pentru nivelul apei

7. Capacul posterior cu plasă

9. Rezervor de apă

11. Cutii de gheață

2. Ieșire aer

4. Carcasa frontală

6. Carcasă din spate

8. Filtru de evaporare

10. Telecomandă

12. Panou de control

- 13. Blocarea rezervorului de apă
- 15. Pompa
- 17. Zăvoarele filtrului

- 14. Zăvorul pompei
- 16. Adâncitura capacului

Telecomandă și panou de control - imaginea B

- A - buton de alimentare
- C - buton viteză ventilator
- E - buton cronometru

- B - buton de mod
- D - buton temporizator
- F - buton de răcire umedă

Operațiune

O reducere notabilă a temperaturii aerului de evacuare are loc după introducerea în rezervorul de apă (9) a recipientelor de plastic (11) incluse în produs. Recipientele din plastic trebuie congelate anterior în congelator pentru câteva ore. Este recomandat să umpleți recipientul din plastic (11) cu apă rece de la robinet și să nu depășiți nivelul MAX marcat pe recipientul din plastic. Conținutul recipientului din plastic este interzis la comestibil. Stai departe de copii.

1. Așezați dispozitivul pe o suprafață uscată și plană. Dacă suprafața nu este plană, dispozitivul poate începe să vibreze și să obțină zgomot anormal.
2. Rotiți în poziție plată blocarea rezervorului de apă (13) așa cum se arată în imaginile C1 și C2. Apoi, scoateți puțin rezervorul de apă (9) din spatele dispozitivului. Utilizați ulciorul pentru a turna apă limpede și rece, aveți grijă să nu depășiți nivelul maxim marcat la indicatorul de nivel al apei (5) în partea din față a dispozitivului. Puteți turna apă fără a scoate complet rezervorul de apă. În timpul umplerii și curățării, deconectați dispozitivul de la rețea.
3. Pentru a scoate complet rezervorul de apă, uitați-vă la imaginea C3-C6. La început scoateți pompa (15) eliberând un zăvor (14) și scoateți rezervorul de apă (8). Nu scoateți pompa, lăsați-o să rămână conectată la carcasa principală. Când așezați rezervorul de apă (9) înapoi, aveți grijă să nu strângeți conductele de apă conectate la pompă.
4. După turnarea apei, rotiți blocajul rezervorului de apă (13) în poziție orizontală. Nu înclinați dispozitivul după ce ați turnat apa în rezervorul de apă. Nu scoateți rezervorul de apă în timp ce dispozitivul este conectat la sursa de alimentare.
5. Conectați ștecherul la sursa de alimentare. Acum poate fi utilizat panoul de control (12) sau telecomanda (10) pentru a acționa dispozitivul (figura B). Porniți dispozitivul apăsând butonul de alimentare (A). Apăsăți din nou butonul (A) pentru a opri dispozitivul.
6. Butonul SPEED (C) vă permite să modificați viteza ventilatorului. Se pot selecta următoarele viteze: mare, medie și lentă. Dioda corespunzătoare de pe panoul de control se va aprinde.
7. Funcția de umidificare a aerului este acționată de butonul COOL (F), scade temperatura aerului prin rularea pompei de apă. Apăsăți butonul (F) DOAR când există apă în rezervorul de apă DOAR, dioda corespunzătoare se va aprinde pe panoul de control (12). În plus, este atașat un set de două recipiente de plastic (11). Recipientele din plastic (11) trebuie umplute cu apă rece și de la robinet și să nu depășească nivelul maxim. Apoi, puneți-le câteva ore în congelator. Apoi puneți unul sau ambele recipiente în rezervorul de apă (9). Pentru a sufla aerul rece umed, dispozitivul trebuie umplut cu apă. Când dispozitivul funcționează, verificați periodic nivelul apei pentru a vedea dacă adăugați apă. Apăsăți din nou butonul (F) pentru a opri suflarea aerului umed rece.
8. Apăsăți funcția de oscilație apăsând butonul SWING (E) pentru a asigura o distribuție uniformă a fluxului de aer rece în direcția stânga și dreapta. Dioda corespunzătoare se va aprinde la panoul de control (12).
9. Butonul TIMER (D) permite programarea duratei de funcționare cu scăderi de 1 oră de la 1 la 8 ore. Apăsarea repetată a acestui buton va aprinde o combinație de diode la panoul de control (12). Suma marcării diodelor aprinse înseamnă perioada aleasă în care dispozitivul va funcționa înainte de a opri automat dispozitivul.
10. Butonul MODE (B) permite schimbarea între unul dintre cele 3 moduri de suflare: vânt normal, vânt natural și modul somn. Dioda în modul ales se va aprinde la panoul de control (12).
- a) Mod normal: permite utilizatorului să regleze manual viteza ventilatorului între mare, mediu și scăzut.
- b) Mod natural: imită acțiunea naturală a vântului prin repetarea secvenței de viteză a ventilatorului:
 - * Când alegeți viteza redusă a ventilatorului, dispozitivul suflă și se repetă sub ciclul: scăzut 4 secunde + oprire 2 secunde + mijloc 4 secunde + scăzut 6 secunde + mijloc 4 secunde + oprire 2 secunde + mare 2 secunde + scăzut 6 secunde + mijloc 4 secunde + scăzut 4 secunde + mijloc 2 secunde + scăzut 4 secunde + mijloc 4 secunde + scăzut 4 secunde + oprire 2 secunde + înalt 2 secunde + scăzut 4 secunde + mijloc 2 secunde.
 - * Când alegeți viteza medie a ventilatorului, dispozitivul suflă și se repetă sub ciclul: scăzut 4 secunde + mijloc 6 secunde + scăzut 2 secunde + înalt 2 secunde + oprire 2 secunde + mijloc 4 secunde + scăzut 4 secunde + mijloc 4 secunde + scăzut 2 secunde + mijloc 4 secunde + minim 4 secunde + mare 2 secunde + oprire 2 secunde + mijloc 4 secunde + minim 4 secunde + mare 4 secunde + oprire 2 secunde + mijloc 4 secunde + mare 4 secunde.
 - * Când alegeți viteza rapidă a ventilatorului, dispozitivul suflă și se repetă sub ciclul: mare 4 secunde + oprire 2 secunde + mijloc 4 secunde + mare 4 secunde + scăzut 4 secunde + mare 2 secunde + mijloc 4 secunde + mare 4 secunde + oprire 2 secunde + mijloc 4 secunde + înalt 6 secunde + scăzut 4 secunde + înalt 4 secunde + mijloc 4 secunde + scăzut 4 secunde + înalt 4 secunde + mijloc 4 secunde.
- c) Modul somn: a fost conceput pentru a utiliza efectele modului natural pentru a adormi. Va reduce treptat viteza ventilatorului în trepte de 30 de minute:
 - * Când alegeți viteza redusă a ventilatorului: ventilatorul va rula la fel ca viteza redusă a modului natural.
 - * Când alegeți viteza medie a ventilatorului: ventilatorul va sufla 30 de minute la viteza medie a modului natural, apoi va trece la modul natural cu viteză redusă.
 - * Când alegeți viteza mare a ventilatorului: ventilatorul va sufla 30 de minute la viteza mare Natural Mode, apoi va comuta timp de 30 de minute la viteza medie Natural Mode, apoi va comuta la viteza redusă Natural Mode.

OBSERVAȚIE: Dacă preferați o viteză constantă a ventilatorului în timp ce dormiți, vă recomandăm să setați ventilatorul în modul

normal și să selectați viteza redusă. Utilizați funcția de temporizare pentru a seta ventilatorul să se oprească după un timp scurs (de ex. 1 oră după ce vă culcați).

10. Toate butoanele de pe telecomandă (10) au aceleași funcții ca butoanele de pe panoul de control (12). Nu așezați obiecte între dispozitiv și telecomandă pentru a asigura o comunicare corectă între telecomandă și dispozitiv. Pentru a începe funcționarea telecomenzii (10) scoateți filmul de instalare. Pentru a înlocui bateria, împingeți clema de eliberare de pe carcasa telecomenzii, așa cum se arată în imaginea E. Înlocuiți-o cu o baterie de același tip, acordați atenție plasării înapoi în polul de polarizare corect, reasamblați bateria în ordine inversă.

CURATENIE SI MENTENANTA

Deconectați întotdeauna dispozitivul înainte de a începe să curățați sau să adăugați / scurgeți apă sau mișcarea dispozitivului.

1. După terminarea operației, înainte de a depozita dispozitivul pentru mai mult timp, golii rezervorul de apă și curățați-l și întregul dispozitiv.

2. Curățați cu o cârpă moale și uscată. Nu utilizați solvenți chimici deoarece pot provoca deteriorări permanente sau deformări ale dispozitivului.

3. Dacă dispozitivul nu este utilizat timp de trei sau mai multe luni, scoateți bateriile din telecomandă.

4. După o funcționare îndelungată, capacul cu plasă (7) și filtrul de evaporare (8) poate fi înnodat cu praf, ceea ce va afecta foarte mult performanța de răcire a dispozitivului. Dacă mult timp apa nu este schimbată, poate exista mucegai. Vă sugerăm să curățați capacul cu plasă (7) și filtrul (8) o dată la 10 zile. Procedura de curățare a filtrului (8) este următoarea:

a) Deconectați dispozitivul, trageți capacul din spate (7) de ambele degajări (16) pentru al scoate - uitați-vă la imaginea D. Pentru a îndepărta filtrul de evaporare (8) trageți înapoi zăvorul filtrului (17), plasticul este flexibil și vă va permite să scoateți filtrul de evaporare (8).

b) Curățați filtrul de evaporare (8) folosind un aspirator. Capacul cu plasă (7) nu trebuie să se frece cu mâinile pentru a evita deformarea plasei.

c) Puneți la loc filtrul (8) și capacul cu plasă (7).

d) Asigurați-vă că rezervorul de apă (8), filtrul (5) și capacul cu plasă (7) sunt înlocuite în poziția corectă înainte de a porni din nou.

Înainte de depozitare sezonieră, asigurați-vă că toate piesele sunt uscate, pornind modul ventilator timp de 2 ore sau mai puțin, pentru a vă asigura că filtrul (5) este complet uscat.

4. Scurgeți apa înainte de depozitare sezonieră scoțând rezervorul de apă (capitolul Funcționare - punctul 2). Folosiți apă și săpun ușor pentru a curăța rezervorul de apă. Apoi uscați complet dispozitivul și rezervorul de apă pentru a evita deteriorarea umidității.

5. Scurgeți apa din recipientele de plastic (11) înainte de depozitare.

6. Acoperiți dispozitivul cu o pungă de plastic pentru a vă proteja împotriva prafului și înfășurați cablul de alimentare. Depozitați dispozitivul într-un loc uscat, în afara razelor solare directe.

7. Curățați dispozitivul și rezervorul de apă înainte de următoarea utilizare.

DESCARCARE

1. Efectuați procedura de detartrare în conformitate cu instrucțiunile agentului de detartrare specificate de producător.

2. Folosiți agenți de detartrare destinați acestui scop.

3. Efectuați procedura de detartraj cel puțin o dată la 3 luni.

4. Detartrați rezervorul de apă numai când dispozitivul a fost oprit.

DATE TEHNICE:

Alimentare 220-240V ~ 50-60 Hz

Putere: 80 W

Putere maximă: 350 W

Capacitate rezervor: 2 litri

Consumul de apă: 230 ml / oră

Baterie: CR2025 (3V)

Nivel de zgomot: 59,4dB

Volumul fluxului de aer: 188,4m³ / h

Dimensiuni produs: 18,6 x 25,5 x 62,5 cm



Din grija pentru mediul înconjurător. Ambalajele din carton vă rugăm să le transmiteți la centrele de maculatură. Sacii din polietilenă (PE) trebuie aruncați în recipientele pentru materialele plastice. Dispozitivul uzat trebuie transmis la punctul corespunzător de depozitare, deoarece componentele periculoase care se găsesc în dispozitiv pot fi foarte periculoase pentru mediul înconjurător. Dispozitivul electric trebuie transmis în așa fel încât să se limiteze utilizarea lui repetată. Dacă în dispozitiv se găsesc baterii trebuie scoase și transmise către punctul de depozitare a acestora, separat.

BOSANSKI

SIGURNOSNI USLOVI. VAŽNA UPUTSTVA O SIGURNOSTI KORIŠĆENJA PAŽLJIVO PROČITAJTE I ČUVAJTE ZA BUDUĆU REFERENCU

Garancijski uvjeti su različiti ako se uređaj koristi u komercijalne svrhe.

1. Prije upotrebe proizvoda pažljivo pročitajte i uvijek se pridržavajte sljedećih uputstava.

Proizvođač nije odgovoran za bilo kakvu štetu nastalu zbog zloupotrebe.

2. Proizvod se smije koristiti samo u zatvorenim prostorima. Nemojte koristiti proizvod u bilo koju svrhu koja nije kompatibilna s njegovom primjenom.
3. Primjenjivi napon je 220-240V, ~ 50Hz. Iz sigurnosnih razloga nije prikladno spajanje više uređaja na jednu utičnicu.
4. Molimo da budete oprezni pri upotrebi u blizini djece. Ne dopustite djeci da se igraju s proizvodom. Ne dopustite djeci ili osobama koje ne poznaju uređaj da ga koriste bez nadzora.
5. **UPOZORENJE:** Ovaj uređaj mogu koristiti djeca starija od 8 godina i osobe sa smanjenim fizičkim, osjetilnim ili mentalnim sposobnostima, ili osobe bez iskustva ili znanja o uređaju, samo pod nadzorom osobe odgovorne za njihovu sigurnost, ili ako su dobili upute o sigurnoj uporabi uređaja i svjesni su opasnosti povezanih s njegovim radom. Djeca se ne bi trebala igrati uređajem. Čišćenje i održavanje uređaja ne smiju obavljati djeca, osim ako su starija od 8 godina i ako se te aktivnosti provode pod nadzorom.
6. Nakon što završite s upotrebom proizvoda, uvijek imajte na umu da pažljivo izvucite utikač iz utičnice držeći utičnicu rukom. Nikada ne vucite kabl za napajanje !!!
7. Nikada ne ostavljajte proizvod priključen na izvor napajanja bez nadzora. Čak i ako je upotreba na kratko prekinuta, isključite je iz mreže, isključite napajanje.
8. Nikada nemojte stavljati kabl za napajanje, utikač ili cijeli uređaj u vodu. Nikada ne izlažite proizvod atmosferskim uticajima, kao što je direktno sunčevo svjetlo, kiša itd. Nikada nemojte koristiti proizvod u vlažnim uslovima.
9. Povremeno provjeravajte stanje kabela za napajanje. Ako je kabl za napajanje oštećen, proizvod bi trebalo okrenuti na mjesto profesionalnog servisa kako bi se izbjegle opasne situacije.
10. Nikada nemojte koristiti proizvod sa oštećenim kablom za napajanje, ako je ispao ili na neki drugi način oštećen ili ako ne radi ispravno. Ne pokušavajte sami popraviti neispravni proizvod jer to može dovesti do strujnog udara. Oštećeni uređaj uvijek okrenite na mjesto profesionalnog servisa kako biste ga popravili. Sve popravke mogu izvesti samo ovlašteni serviseri. Popravka koja je pogrešno izvedena može izazvati opasne situacije za korisnika.
11. Nikada ne stavljajte proizvod na ili blizu vrućih ili toplih površina ili kuhinjskih aparata, poput električne pećnice ili plinskog plamenika.
12. Nikada ne koristite proizvod u blizini zapaljivih materija.
13. Ne dozvolite da kabl visi preko ruba pulta.
14. Ne uranjajte jedinicu motora u vodu.
15. Kako bi se osigurala dodatna zaštita, preporučljivo je u električni krug ugraditi zaštitnu struju (RCD) s nazivnom zaostalom strujom koja ne prelazi 30 mA. Za to pitajte električara.
16. Nemojte umetati prste ili bilo koje druge predmete u rešetku kućišta uređaja.
17. Ne blokirajte utičnicu.
18. Kada završite, prije odlaganja ispustite vodu iz uređaja.
19. Ako se uređaj ne koristi duže vrijeme, isključite ga iz napajanja.
20. Uvijek koristite nove baterije kako biste zamijenili ispražnjene baterije u daljinskom upravljaču.

21. Ne pomerajte uređaj ako je unutrašnji rezervoar napunjen vodom.

22. Ne stavljajte nikakve predmete na uređaj.

23. Uređaj se može koristiti samo s ispravnom ventilacijom.

Prije prve upotrebe

1. Treba zapamtiti da visoka razina vlažnosti može pogodovati razvoju bioloških organizama u okolišu.

2. Nemojte smočiti uređaj niti mokro područje oko uređaja. Ako se pojavi vlaga, smanjite učinkovitost funkcije ovlaživanja.

3. Ne dopustite da se upijajući materijali poput tepiha, zavjesa, stolnjaka nakvase.

4. Nikada ne ostavljajte vodu u rezervoaru kada uređaj nije u upotrebi.

• UPOZORENJE: Kada se voda ne zamijeni i spremnik se ne čisti pravilno svaka 3 dana, mikroorganizmi koji mogu biti prisutni u vodi ili u okolini u kojoj se uređaj koristi ili skladišti mogu se razviti u spremniku za vodu i ispuhati do okolini. To može uzrokovati vrlo ozbiljan zdravstveni rizik.

• UPOZORENJE: Svaka tri dana ispraznite rezervoar za vodu i dopunite ga čistom vodom. Prije punjenja spremnik očistite svježom vodom iz slavine ili deterdžentima. Uklonite sve naslage, naslage ili film koji su se stvorili na stranicama spremnika i na unutrašnjim površinama. Nakon pranja obrišite sve površine.

5. Kada se uređaj koristi prvi put, motor uređaja može stvoriti miris koji će nestati u roku od jedne sedmice korištenja. U ovom slučaju nije potrebna vaša radnja.

OPIS PROIZVODA Hladnjak zraka bez lopatica MS7856

1. Ručka

3. Ručka za ručnu kontrolu smjera strujanja zraka gore / dolje

5. Mjerač nivoa vode

7. Stražnji poklopac s mrežom

9. Rezervoar za vodu

11. Kutije za led

13. Brava rezervoara za vodu

15. Pumpa

17. Zasuni filtera

2. Otvor za vazduh

4. Prednje kućište

6. Stražnje kućište

8. Filter za isparavanje

10. Daljinski upravljač

12. Kontrolna tabla

14. Reza pumpe

16. Udubljenje poklopca

Daljinski upravljač i kontrolna ploča - slika B

A - tipka za uključivanje

C - dugme za brzinu ventilatora

E - tipka timera

B - tipka za način rada

D - dugme za merenje vremena

F - tipka za mokro hlađenje

OPERACIJA

Primjetno smanjenje temperature izlaznog zraka dolazi nakon stavljanja u spremnik za vodu (9) plastičnih spremnika (11) koji su uključeni u hladvod. Plastične posude prethodno treba zamrznuti u zamrzivaču na nekoliko sati. Preporučuje se da se plastična posuda (11) napuni hladnom vodom iz slavine i ne prelazi MAX nivo označen na plastičnoj posudi. Sadržaj plastične ambalaže nije jestiv. Držati dalje od djece.

1. Postavite uređaj na suhu, ravnu površinu. Ako površina nije ravna, uređaj može početi vibrirati i dobiti neobičnu buku.

2. Okrenite u ravni položaj bravu rezervoara za vodu (13) kao što je prikazano na slikama C1 i C2. Zatim izvucite malo spremnik za vodu (9) sa stražnje strane uređaja. Koristite vrč za sipanje čiste, hladne vode, pazite da ne pređete maksimalni nivo označen na mjeracu nivoa vode (5) ispred uređaja. Možete sipati vodu bez izvlačenja rezervoara za vodu u potpunosti. Tokom punjenja i čišćenja, isključite uređaj iz električne mreže.

3. Za potpuno uklanjanje spremnika za vodu pogledajte sliku C3-C6. Prvo uklonite pumpu (15) otpuštanjem jedne reze pumpe (14) i izvucite rezervoar za vodu (8). Nemojte izvlačiti pumpu, neka ostane povezana s glavnim kućištem. Prilikom vraćanja spremnika za vodu (9) pazite da ne stisnete vodovodne cijevi povezane s pumpom.

Nakon izlivanja vode, zaključajte spremnik za vodu (13) u vodoravan položaj. Nemojte naginjati uređaj nakon izlivanja vode u rezervoar za vodu. Nemojte uklanjati rezervoar za vodu dok je uređaj priključen na napajanje.

4. Priključite utikač u izvor napajanja. Sada se može koristiti kontrolna ploča (12) ili daljinski upravljač (10) za upravljanje uređajem (slika B). Uključite uređaj pritiskom na dugme za napajanje (A). Ponovo pritisnite dugme (A) da biste isključili uređaj.

5. Tipka SPEED (C) omogućuje vam promjenu brzine ventilatora. Mogu se odabrati sljedeće brzine: visoka, srednja i spora.

Odgovarajuća dioda na upravljačkoj ploči će zasvijetliti.

6. Funkcijom ovlaživanja zraka upravlja tipka COOL (F), snižava temperaturu zraka pokretanjem pumpe za vodu. Pritisnite dugme (F) samo kada u rezervoaru za vodu ima vode, odgovarajuća dioda će zasvijetliti na kontrolnoj tabli (12). Dodatno, pričvršćen je set od dva plastična spremnika (11). Plastične posude (11) treba puniti hladnom vodom iz slavine i ne prelaziti maksimalni nivo. Zatim ih stavite na nekoliko sati u zamrzivač. Zatim stavite jedan ili oba spremnika u spremnik za vodu (9). Za puhanje mokrog hladnog zraka uređaj mora biti napunjen vodom. Dok uređaj radi, povremeno provjeravajte nivo vode da vidite da li treba dodati vodu. Ponovo pritisnite dugme (F) da biste isključili duvanje vlažnog hladnog vazduha.

7. Pritiskom na funkciju oscilacije pritiskom na tipku SWING (E) osigurajte ravnomjernu raspodjelu strujanja hladnog zraka u lijevom i

3. Provedite postupak uklanjanja kamenca najmanje svaka 3 mjeseca.
4. Uklonite kamenac iz rezervoara za vodu samo kada je uređaj isključen.

TEHNIČKI PODACI:

Napajanje 220-240V ~ 50-60 Hz

Snaga: 80 W

Maksimalna snaga: 350 W

Zapremina rezervoara: 2 litre

Potrošnja vode: 230 ml / sat

Baterija: CR2025 (3V)

Nivo buke: 59,4dB

Zapremina vazduha: 188,4m³/h

Dimenzije proizvoda: 18,6 x 25,5 x 62,5 cm



Brinuci za okoliš.

Molimo Vas da kartonska pakovanja odnesete u otkup otpadnog papira. Polietilenske džakove (PE) bacajte u kontejner za plastiku. Iskorišćen uređaj treba odneti na odgovarajuću deponiju, jer opasni sastojci koji se u njemu nalaze, mogu biti opasni za okoliš. Električni uređaj treba odneti na način, koji ograničava njegovu ponovnu upotrebu i korištenje. Ako se u uređaju nalaze baterije, treba ih izvaditi i odvojeno predati na deponiju.

Uređaj se ne smije bacati u kontejner za komunalni otpad!!

MAGYAR

BIZTONSÁGI FELTÉTELEK. FONTOS HASZNÁLATI UTASÍTÁSOK

KÉRJÜK, FIGYELMESEN OLVASSA EL, ÉS TARTSA MEG A JÖVŐBENI REFERENCIÁT

A garanciális feltételek eltérőek, ha a készüléket kereskedelmi célokra használják.

1. A termék használata előtt olvassa el figyelmesen, és mindig tartsa be az alábbi utasításokat. A gyártó nem felel a helytelen használatból eredő károkért.
2. A terméket csak beltéren szabad használni. Ne használja a terméket olyan célra, amely nem kompatibilis az alkalmazásával.
3. Az alkalmazandó feszültség 220-240V, ~ 50Hz. Biztonsági okokból nem célszerű több eszközt egy hálózati aljzathoz csatlakoztatni.
4. Kérjük, legyen óvatos, ha gyermekek közelében használja. Ne hagyja, hogy a gyerekek játszanak a termékkel. Ne engedje gyermekeknek vagy személyeknek, akik nem ismerik a készüléket, felügyelet nélkül használni.
5. FIGYELMEZTETÉS: Ezt az eszközt csak 8 évesnél idősebb gyermekek és csökkent fizikai, érzékszervi vagy mentális képességekkel rendelkező személyek, vagy olyan személyek használhatják, akiknek nincs tapasztalata vagy ismerete a készülékről, csak a biztonságukért felelős személy felügyelete mellett, vagy ha elsajátították a készülék biztonságos használatát, és tisztában vannak a működésével járó veszélyekkel. Gyermekek ne játszanak a készülékkel. A készülék tisztítását és karbantartását gyermekek nem végezhetik, kivéve, ha 8 évesnél idősebbek, és ezeket a tevékenységeket felügyelet mellett végzik.
6. Miután befejezte a termék használatát, ne feledje, hogy óvatosan húzza ki a dugót a konnektorból, és kézzel fogja a konnektorból. Soha ne húzza a tápkábelt !!!
7. Soha ne hagyja a terméket az áramforráshoz csatlakoztatva felügyelet nélkül. Még akkor is, ha a használat rövid időre megszakad, kapcsolja ki a hálózathoz, húzza ki a hálózati csatlakozót.
8. Soha ne tegye a tápkábelt, a dugót vagy az egész készüléket a vízbe. Soha ne tegye ki a terméket olyan légköri körülményeknek, mint a közvetlen napsugárzás vagy eső, stb. Soha ne használja a terméket nedves környezetben.
9. Rendszeresen ellenőrizze a tápkábel állapotát. Ha a tápkábel megsérült, a terméket a szakszervizbe kell vinni, hogy kicserélje a veszélyes helyzetek elkerülése érdekében.
10. Soha ne használja a terméket sérült tápkábellel, vagy ha leejtették vagy más módon megsérült, vagy ha nem működik megfelelően. Ne próbálja megjavítani a meghibásodott terméket, mert ez áramütéshez vezethet. A sérült készüléket mindig vigye szakemberhez a

javítás érdekében. Minden javítást csak hivatalos szervizszakemberek végezhetnek. A helytelenül elvégzett javítás veszélyes helyzeteket okozhat a felhasználó számára.

11. Soha ne tegye a terméket a forró vagy meleg felületekre vagy a konyhai készülékekre, például elektromos sütőre vagy gázégőre.

12. Soha ne használja a terméket éghető anyagok közelében.

13. Ne hagyja, hogy a vezeték a pult szélén lógjon.

14. Ne merítse a motoregységet vízbe.

15. További védelem biztosítása érdekében ajánlatos egy 30 mA -t meg nem haladó névleges maradékáramú áramkörbe beépíteni egy maradékáram -védelmi eszközt (RCD).

Kérjen villanszerelőt erre.

16. Ne tegyen ujjat vagy más tárgyat a készülék burkolatának rácsába.

17. Ne zárja el a kimenetet.

18. Ha elkészült, mielőtt elrakná, engedje le a vizet a készülékről.

19. Ha a készüléket hosszú ideig nem használja, húzza ki az áramforrásból.

20. A távirányítóban lemerült elemeket mindig új elemekkel cserélje ki.

21. Ne mozgassa a készüléket, ha a belső tartály tele van vízzel.

22. Ne helyezzen semmilyen tárgyat a készülékre.

23. A készülék csak megfelelően működő szellőzéssel használható.

Az első használat előtt

1. Emlékeztetni kell arra, hogy a magas páratartalom elősegítheti a biológiai élőlények fejlődését a környezetben.

2. Ne nedvesítse meg a készüléket, és ne nedvesítse be a készülék környékét. Ha nedvesség jelenik meg, csökkentse a párasító funkció hatékonyságát.

3. Ne engedje, hogy nedvszívó anyagok, például szőnyegek, függönyök, asztalterítők megnedvedsenek.

4. Soha ne hagyjon vizet a tartályban, amikor a készüléket nem használja.

• FIGYELMEZTETÉS: Ha a vizet nem cserélik ki, és a tartályt nem tisztítják meg 3 naponta, akkor a vízben vagy a környezetben, ahol a készüléket használják vagy tárolják, mikroorganizmusok képződhetnek a víztartályban, és kifújhatják őket. A környezet. Ez nagyon súlyos egészségügyi kockázatot okozhat.

• FIGYELEM: Három naponta ürítse ki a víztartályt, és töltsen fel tiszta vízzel. Újratöltés előtt tisztítsa meg a tartályt friss csapvízzel vagy mosószerekkel. Távolítsa el minden lerakódást, lerakódást vagy filmet, amely a tartály oldalán és a belső felületeken képződött. Mosás után törölje szárazra az összes felületet.

5. A készülék első használatakor a készülék motorja szagot okozhat, amely a használat után egy héten belül eloszlik. Ebben az esetben nincs szükség a teendőire.

TERMÉKLEÍRÁS Penge nélküli léghűtő Ms7856

1. Fogantyú

3. Fogantyú felső fel / le légáramlás irányításhoz

5. Vízsztímér

7. Hátsó fedél hálójával

9. Víztartály

11. Jégdobozok

13. Víztartály zár

15. Szivattyú

17. Szűrőreteszek

2. Levegő kimenet

4. Elülső ház

6. Hátsó ház

8. Párolgási szűrő

10. Távirányító

12. Vezérlőpult

14. Szivattyú retesz

16. Fedél mélyedése

Távirányító és vezérlőpult - B kép

A - bekapcsológomb

C - ventilátor sebesség gomb

E - időzítő gomb

B - üzemmód gomb

D - időzítő gomb

F - nedves hűtés gomb

MŰVELET

A kilépő levegő hőmérsékletének észrevehető csökkenése következik be, miután a termékhez mellékelt műanyag tartályokat (11) a víztartályba (9) behelyezte. A műanyag edényeket előzetesen néhány órára le kell fagyasztni a fagyasztóban. Javasoljuk, hogy a műanyag edényt (11) hideg csapvízzel töltsen fel, és ne lépje túl a műanyag tartályon feltüntetett MAX szintet. A műanyag edény tartalma ehető. Gyerekektől távol tartandó.

1. Helyezze a készüléket száraz, sík felületre. Ha a felület nem sík, a készülék rezegni kezd, és rendellenes zajt kaphat.

2. Forgassa lapos helyzetbe a víztartály reteszt (13), amint az a C1 és C2 képen látható. Ezután húzza ki egy kicsit a víztartályt (9) a készülék hátuljáról. A kannával tiszta, hideg vizet öntsön, ügyeljen arra, hogy ne lépje túl a készülék előtt található vízszintmérőn (5) jelzett maximális szintet. Ön önthet vizet anélkül, hogy teljesen kihúzná a víztartályt. Töltés és tisztítás közben válassza le a készüléket az elektromos hálózatról.

3. A víztartály teljes eltávolításához nézze meg a C3-C6 képet. Először távolítsa el a szivattyút (15) az egyik szivattyúretesz (14)

kihúzásával, és húzza ki a víztartályt (8). Ne húzza ki a szivattyút, hagyja, hogy a fő házhoz csatlakozzon. Amikor visszahelyezi a víztartályt (9), ügyeljen arra, hogy ne nyomja össze a szivattyúhoz csatlakoztatott vízvezetékeket.

A víz öntése után fordítsa a víztartály reteszét (13) vízszintes helyzetbe. Ne döntse meg a készüléket, miután a vizet a víztartályba öntötte. Ne távolítsa el a víztartályt, amíg a készülék be van dugva a tápegységbe.

4. Csatlakoztassa a dugót a tápegységhez. Most már használható a kezelőpanel (12) vagy a távirányító (10) a készülék működtetéséhez (B ábra). Kapcsolja be a készüléket a bekapcsológomb (A) megnyomásával. A készülék kikapcsolásához nyomja meg ismét az (A) gombot.

5. A SPEED (C) gomb lehetővé teszi a ventilátor sebességének megváltoztatását. A következő sebességek választhatók: magas, közepes és lassú. A kezelőpanelen a megfelelő dióda kigyullad.

6. A légnedvesítő funkciót a COOL gomb (F) működteti, a vízpumpa működtetésével csökkenti a levegő hőmérsékletét. Nyomja meg az (F) gombot, ha CSAK víz van a víztartályban, a megfelelő dióda kigyullad a kezelőpanelen (12). Ezenkívül két műanyag tartályból (11) álló készlet van csatlakoztatva. A műanyag edényeket (11) hideg, csapvizsel kell feltölteni, és ne lépje túl a maximális szintet. Ezután tegye őket néhány órára a fagyasztóba. Ezután tegye az egyik vagy mindkét edényt a víztartályba (9). A hideg nedves levegő fújásához a készüléket fel kell tölteni vízzel. Amikor a készülék működik, rendszeresen ellenőrizze a vízszintet, hogy hozzáadjon -e vizet. Nyomja meg ismét az (F) gombot a nedves hideg levegő fújásának kikapcsolásához.

7. Az oszcillációs funkció megnyomásával a SWING gombot (E) megnyomva egyenletes eloszlást biztosít a hideg levegőáram balra és jobbra. A megfelelő dióda kigyullad a kezelőpanelen (12).

8. A TIMER gomb (D) lehetővé teszi a működési idő programozását 1 órás 1-8 órás csökkentéssel. A gomb ismételt megnyomásával a kezelőpanelen (12) lévő diódák kombinációja világít. A világító diódák jelzéseinek összege azt a választott időszakot jelenti, amikor a készülék működni fog, mielőtt automatikusan kikapcsolja a készüléket.

9. A MODE gomb (B) lehetővé teszi a 3 fűvási mód egyike közötti váltást:

normál szél, természetes szél és alvó üzemmód. A kiválasztott üzemmódi dióda kigyullad a kezelőpanelen (12).

a) Normál mód: lehetővé teszi a felhasználó számára, hogy manuálisan állítsa be a ventilátor sebességét magas, közepes és alacsony között.

b) Természetes mód: utánozza a természetes szél hatását a ventilátor sebességének ismétlésével:

* Ha az alacsony ventilátor sebességet választja, a készülék kifúj és megismétli az alábbi ciklust: alacsony 4 másodperc + leállítás 2 másodperc + közepső 4 másodperc + alacsony 6 másodperc + közepső 4 másodperc + leállítás 2 másodperc + magas 2 másodperc + alacsony 6 másodperc + közepső 4 másodperc + alacsony 4 másodperc + közepső 2 másodperc + alacsony 4 másodperc + közepső 4 másodperc + alacsony 4 másodperc + leállítás 2 másodperc + magas 2 másodperc + alacsony 4 másodperc + közepső 2 másodperc.

* Ha kiválasztja a közepső ventilátor sebességet, a készülék kifúj és megismétli az alábbi ciklust: alacsony 4 másodperc + közepső 6 másodperc + alacsony 2 másodperc + magas 2 másodperc + leállítás 2 másodperc + közepső 4 másodperc + alacsony 4 másodperc + közepső 4 másodperc + alacsony 2 másodperc + közepső 4 másodperc + alacsony 4 másodperc + magas 2 másodperc + alacsony 4 másodperc + leállítás 2 másodperc + közepső 4 másodperc + magas 4 másodperc.

* Ha a gyors ventilátor sebességet választja, a készülék kifúj és megismétli az alábbi ciklust: magas 4 másodperc + leállítás 2 másodperc + közepső 4 másodperc + magas 4 másodperc + alacsony 4 másodperc + magas 2 másodperc + közepső 4 másodperc + magas 4 másodperc + leállítás 2 másodperc + közepső 4 másodperc + magas 6 másodperc + alacsony 4 másodperc + magas 4 másodperc + közepső 4 másodperc.

c) Alvó mód: úgy tervezték, hogy a természetes mód hatásait használja fel az elalváshoz. Fokozatosan csökkenti a ventilátor sebességét 30 perces lépésekben:

* Ha az alacsony ventilátor sebességet választja: a ventilátor ugyanúgy fog működni, mint az alacsony sebességű természetes mód.

* Ha a közepső ventilátor sebességet választja: a ventilátor 30 percig fúj a közepes sebességű természetes módban, majd kapcsoljon alacsony sebességű természetes üzemmódba.

* Ha a nagy ventilátor sebességet választja: a ventilátor 30 percig fúj nagy sebességű természetes módban, majd 30 percig közepes sebességű természetes módban, majd alacsony sebességű természetes üzemmódba kapcsol.

MEGJEGYZÉS: Ha alvás közben a ventilátor állandó sebességét részesíti előnyben, javasoljuk, hogy állítsa a ventilátort Normál üzemmódba, és válassza az alacsony sebességet. Az időzítő funkcióval állítsa be a ventilátort, hogy az eltelt idő után (pl. 1 órával lefekvés után) kikapcsoljon.

10. A távirányító (10) összes gombja ugyanazokkal a funkciókkal rendelkezik, mint a kezelőpanel (12) gombjai. Ne helyezzen semmilyen tárgyat a készülék és a távirányító közé, hogy biztosítsa a megfelelő kommunikációt a távirányító és a készülék között. A távirányító (10) működésének elindításához húzza ki a szerelőfóliát. Az elem cseréjéhez nyomja meg a távirányító házában kioldó fület, amint az az E ábrán látható. Cserélje ki azonos típusú elemre, ügyeljen arra, hogy visszahelyezze a megfelelő polarizációs pólusra, majd szerelje vissza az elemet fordított sorrendben.

TISZTÍTÁS ÉS KARBANTARTÁS

Mindig húzza ki a készüléket a konnektorból, mielőtt elkezdené tisztítani vagy hozzáadni/leengedni a vizet vagy a készülék mozgását.

1. A művelet befejezése után, mielőtt a készüléket hosszabb ideig tárolja, ürítse ki a víztartályt, és tisztítsa meg azt és az egész készüléket.

2. Puha, száraz ruhával tisztítsa. Ne használjon vegyi oldószereket, mert azok maradandó károsodást vagy deformációt okozhatnak a készülékben.

3. Ha a készüléket három vagy több hónapig nem használja, vegye ki az elemeket a távirányítóból.

4. Hosszú működés után a burkolat hálójával (7) és az elpárolgatót szűrővel (8) eltömődhet a porral, ami nagyban befolyásolja a készülék hűtési teljesítményét. Ha a vizet hosszú ideig nem cserélik, akkor penész lehet. Javasoljuk, hogy 10 naponként tisztítsa meg a fedelet hálójával (7) és szűrővel (8). A szűrő (8) tisztítási eljárása a következő:

a) Húzza ki a készüléket a konnektorból, húzza ki a hálót (7) mindkét műlyedésnél (16), hogy eltávolítsa -nézze meg a D. ábrát. A párolgató szűrő (8) eltávolításához húzza vissza a szűrőreteszt (17), a műanyag rugalmas és lehetővé teszi a párolgatót szűrő (8) kivételét.

b) Tisztítsa meg a párolgatót szűrőt (8) porszívóval. A hálót ellátott burkolatot (7) ne dörzsölje kézzel, hogy elkerülje a háló deformálódását.

c) Helyezze vissza a szűrőt (8) és a hálót (7) tartalmazó fedelet.

d) Győződjön meg arról, hogy a víztartályt (8), a szűrőt (5) és a hálót (7) tartalmazó fedelet a megfelelő helyzetben helyezi vissza, mielőtt újra bekapcsolja. A szezonális tárolás előtt győződjön meg arról, hogy minden alkatrész száraz, a ventilátor üzemmód 2 órán keresztül vagy rövidebb ideig történő használatával, hogy a szűrő (5) teljesen száraz legyen.

4. A szezonális tárolás előtt ürítse ki a vizet a víztartály eltávolításával (Kezelés - 2. pont). A víztartály tisztításához használjon enyhe szappant és vizet. Ezután szárítsa meg teljesen a készüléket és a víztartályt, hogy elkerülje a nedvesség károsodását.
5. Tárolás előtt engedje le a vizet a műanyag edényekből (11).
6. Fedje le a készüléket műanyag zacskóval a por elleni védelem érdekében, és tekerje fel a tápkábelt. A készüléket száraz helyen, közvetlen napfénytől védve tárolja.
7. A következő használat előtt tisztítsa meg a készüléket és a víztartályt.

VÍZKÖTELENÍTÉS

1. Végezze el a vízkömentesítési eljárást a gyártó által előírt vízkömentesítő szer utasításai szerint.
2. Használjon erre a célra használt vízkömentesítő szereket.
3. Végezze el a vízkömentesítést legalább 3 havonta.
4. A víztartály vízkömentesítését csak akkor végezze el, ha a készülék ki van kapcsolva.

MŰSZAKI ADATOK:

Tápegység 220-240V ~ 50-60 Hz

Teljesítmény: 80 W

Max. Teljesítmény: 350 W

A tartály térfogata: 2 liter

Vízfogyasztás: 230 ml / óra

Akkumulátor: CR2025 (3V)

Zajszint: 59,4dB

Légáram: 188,4 m³/h

A termék méretei: 18,6 x 25,5 x 62,5 cm



A környezet védelme érdekében kérjük külön karton dobozok és műanyag zsákokat és dobja őket a megfelelő hulladék közé. Használt készüléket kell eljuttatni a kijelölt gyűjtőhelyekre miatt veszélyes elemek alkatrészeket, amelyek hatással lehetnek a környezetre. Ne dobja a készüléket a közös szemétkosárba.

SUOMI

TURVALLISUUSEHDOT. TÄRKEITÄ KÄYTTÖTURVALLISUUSOHJEITA LUE HUOLELLISESTI JA PIDÄ TULEVAISUUTTA

Takuuehdot ovat erilaiset, jos laitetta käytetään kaupallisiin tarkoituksiin.

1. Lue ennen tuotteen käyttöä huolellisesti ja noudata aina seuraavia ohjeita. Valmistaja ei vastaa väärinkäytöstä johtuvista vahingoista.
2. Tuotetta saa käyttää vain sisätiloissa. Älä käytä tuotetta mihinkään tarkoitukseen, joka ei ole yhteensopiva sen sovelluksen kanssa.
3. sovellettava jännite on 220-240V, ~ 50Hz. Turvallisuussyistä ei ole asianmukaista kytkeä useita laitteita yhteen pistorasiaan.
4. Ole varovainen käyttäessäsi lasten lähellä. Älä anna lasten leikkiä tuotteen kanssa. Älä anna lasten tai ihmisten, jotka eivät tunne laitetta, käyttää sitä ilman valvontaa.
5. VAROITUS: Tätä laitetta voivat käyttää yli 8 -vuotiaat lapset ja henkilöt, joilla on heikentynyt fyysinen, aistillinen tai henkinen toimintakyky, tai henkilöt, joilla ei ole kokemusta tai tietoa laitteesta, vain heidän turvallisuudestaan vastaavan henkilön valvonnassa, tai jos heille on opetettu laitteen turvallista käyttöä ja he ovat tietoisia laitteen käyttöön liittyvistä vaaroista. Lapset eivät saa leikkiä laitteella. Lapset eivät saa puhdistaa ja huoltaa laitetta, elleivät he ole yli 8 -vuotiaita ja nämä toimet suoritetaan valvonnassa.
6. Kun olet lopettanut tuotteen käytön, muista aina irrottaa pistoke varovasti pistorasiasta kädellä pitäen pistorasiasta. Älä koskaan vedä virtajohtosta !!!
7. Älä koskaan jätä tuotetta liitettynä virtalähteeseen ilman valvontaa. Vaikka käyttö keskeytyisi lyhyeksi ajaksi, sammuta se verkosta ja irrota virtajohto.
8. Älä koskaan laita virtajohtoa, pistoketta tai koko laitetta veteen. Älä koskaan altista tuotetta ilmakehälle, kuten suoralle auringonvalolle tai sateelle jne. Älä koskaan käytä tuotetta kosteissa olosuhteissa.
9. Tarkista virtajohtodon kunto säännöllisesti. Jos virtajohto on vaurioitunut, tuote on käännettävä ammattimaiseen huoltopisteeseen vaihdettavaksi vaarallisten tilanteiden välttämiseksi.

10. Älä koskaan käytä tuotetta, jos virtajohto on vaurioitunut tai jos se on pudonnut tai vahingoittunut muulla tavalla tai jos se ei toimi kunnolla. Älä yritä korjata viallista tuotetta itse, koska se voi johtaa sähköiskuun. Käännä vaurioitunut laite aina ammattitaitoiseen huoltoon korjatakseen sen. Kaikki korjaukset voivat tehdä vain valtuutetut huoltoammattilaiset. Väärin tehty korjaus voi aiheuttaa käyttäjälle vaarallisia tilanteita.
11. Älä koskaan aseta tuotetta kuumien tai lämpimien pintojen tai keittiökoneiden, kuten sähköuunin tai kaasupolttimen päälle tai lähelle sitä.
12. Älä koskaan käytä tuotetta palavien aineiden lähellä.
13. Älä anna johdon roikkua tiskin reunan yli.
14. Älä upota moottoriyksikköä veteen.
15. Lisäsuojauksen aikaansaamiseksi on suositeltavaa asentaa vikavirtasuojaja (RCD) sähköpiiriin, jonka nimellisjännite on enintään 30 mA. Kysy tätä sähköasentajalta.
16. Älä työnnä sormia tai muita esineitä laitteen kotelon säleikköön.
17. Älä tuki pistorasiaa.
18. Kun olet valmis, tyhjennä vesi laitteesta ennen sen sijoittamista.
19. Jos laitetta ei käytetä pitkään aikaan, irrota se virtalähteestä.
20. Käytä aina uudet paristot kaukosäätimen tyhjentyneiden paristojen korvaamiseksi.
21. Älä siirrä laitetta, kun sisäsäiliö on täynnä vettä.
22. Älä aseta mitään esineitä laitteen päälle.
23. Laitetta voidaan käyttää vain oikein toimivan ilmanvaihdon kanssa.

Ennen ensimmäistä käyttöä

1. On muistettava, että korkea kosteus voi edistää biologisten organismien kehittymistä ympäristössä.
2. Älä kastele laitetta tai kastele laitetta ympäröivää aluetta. Jos kosteutta tulee näkyviin, vähennä kostutustoiminnon tehokkuutta.
3. Älä päästä imukykyisiä materiaaleja, kuten mattoja, verhoja tai pöytäliinoja kastelemaan.
4. Älä koskaan jätä vettä säiliöön, kun laitetta ei käytetä.
- VAROITUS: Jos vettä ei vaihdeta ja säiliötä ei puhdisteta kunnolla 3 päivän välein, vesisäiliössä voi esiintyä mikro-organismeja, joita saattaa esiintyä vedessä tai ympäristössä, jossa laitetta käytetään tai varastoidaan. Ympäristö. Tämä voi aiheuttaa erittäin vakavan terveysriskin.
- VAROITUS: Tyhjennä vesisäiliö kolmen päivän välein ja täytä puhtaalla vedellä. Puhdista säiliö ennen täyttämistä puhtaalla vesijohtovedellä tai pesuaineilla. Poista säiliön sivuille ja sisäpinnolle muodostunut kalkki, saostumat tai kalvo. Pyyhi pesun jälkeen kaikki pinnat kuiviksi.
5. Kun laitetta käytetään ensimmäistä kertaa, sen moottori voi tuottaa hajua, joka haihtuu viikon kuluessa käytöstä. Sinun ei tarvitse tässä tapauksessa toimia.

TUOTEKUVAUS Terätön ilmanjähdytyn MS7856

- | | |
|---|------------------------|
| 1. Kahva | 2. Ilmanpoisto |
| 3. Kahva manuaaliseen ylös / alas -ilmavirran suunnan säätöön | 4. Etukotelo |
| 5. Vesimittari | 6. Takakotelo |
| 7. Takakansi ja verkko | 8. Haihdutussuodatint |
| 9. Vesisäiliö | 10. Kaukosäädin |
| 11. Jäälaatikot | 12. Ohjauspaneeli |
| 13. Vesisäiliön lukko | 14. Pumpun salpa |
| 15. Pumppu | 16. Kannen syvennykset |
| 17. Suodattimen salvat | |

Kaukosäädin ja ohjauspaneeli - kuva B

- | | |
|-------------------------------|----------------------------|
| A - virtapainike | B - tilapainike |
| C - tuulettimen nopeuspainike | D - ajastinpainike |
| E - ajastinpainike | F - merkäjäjähdytyspainike |

OPERAATIO

Poisstoilman lämpötila laskee huomattavasti, kun vesisäiliöön (9) laitetaan tuotteen mukana toimitetut muovisäiliöt (11). Muoviasiat on pakastettava pakastimessa muutamaksi tunniksi. On suositeltavaa täyttää muovisäiliö (11) kylmällä vesijohtovedellä eikä ylittää muovisäiliöön merkittyä MAX -tasoa. Muovisäiliön sisältö on kielletty syötäväksi. Pidä poissa lasten ulottuvilta.

1. Aseta laite kuivalle, tasaiselle pinnalle. Jos pinta ei ole tasainen, laite voi alkaa väristä ja saada epänormaalia melua.
2. Käännä vesisäiliön lukko (13) tasaiseen asentoon kuvien C1 ja C2 mukaisesti. Vedä sitten hieman vesisäiliötä (9) laitteen takaa. Kaada kannulla kirkasta, kylmää vettä. Varo, ettet ylitä laitteen edessä olevassa vesimittarissa (5) merkittyä enimmäistasoa. Voit kaataa vettä ilman vetämällä vesisäiliön kokonaan ulos. Irrota laite verkkovirrasta täyttö- ja puhdistustöiden ajaksi.

3. Irrota vesisäiliö kokonaan katsomalla kuvaa C3-C6. Irrota ensin pumppu (15) vapauttamalla yksi pumpun salpa (14) ja vedä vesisäiliö (8) ulos. Älä vedä pumppua ulos, anna sen pysyä kytkettynä pääkoteloon. Kun asetat vesisäiliön (9) taaksepäin, varo puristamasta pumppuun liitettyjä vesiputkia.

Veden kaatamisen jälkeen käännä vesisäiliön lukko (13) vaakaasuoraan asentoon. Älä kallista laitetta veden kaatamisen jälkeen vesisäiliöön. Älä poista vesisäiliötä, kun laite on kytketty virtalähteeseen.

4. Liitä pistoke virtalähteeseen. Nyt voidaan käyttää ohjauspaneelia (12) tai kauko-ohjainta (10) laitteen ohjaamiseen (kuva B).

Käynnistä laite painamalla virtapainiketta (A). Sammuta laite painamalla painiketta (A) uudelleen.

5. Painikkeella SPEED (C) voit muuttaa tuulettimen nopeutta. Voit valita seuraavat nopeudet: korkea, keskitaso ja hidas. Ohjauspaneelin vastaava diodi syttyy.

6. Ilman kostuustoimintoa käytetään COOL -painikkeella (F), se alentaa ilman lämpötilaa vesipumpun avulla. Paina painiketta (F), kun VAIN vesisäiliön sisällä on vettä, vastaava diodi syttyy ohjauspaneelissa (12). Lisäksi on kiinnitetty kahden muovisäiliön (11) sarja. Muoviastiat (11) on täytettävä kylmällä vesiohjoivedellä, eivätkä ne saa ylittää enimmäismäärää. Laita ne seuraavaksi pakastimeen useita tunteja. Laita sitten yksi tai molemmat astiat vesisäiliöön (9). Märän viileän ilman puhaltamiseksi laite on täytettävä vedellä. Kun laite toimii, tarkista vedenpinta säännöllisesti, lisätäänkö vettä. Sammuta märän kylmän ilman puhallus painamalla painiketta (F) uudelleen.

7. Paina värehtelytoimintoa painamalla SWING -painiketta (E), jotta kylmä ilmavirta jakautuu tasaisesti vasemmalle ja oikealle. Vastaava diodi syttyy ohjauspaneelissa (12).

8. AJASTIN -painike (D) mahdollistaa käyttöajan ohjelmoinnin 1 tunnin vähennyksillä 1-8 tuntiin. Tämän painikkeen toistuva painaminen syyttää diodien yhdistelmän ohjauspaneelissa (12). Syyttävien diodien merkintä summa tarkoittaa valittua ajanjaksoa, jolloin laite toimii ennen laitteen sammuttamista automaattisesti.

9. MODE -painikkeen (B) avulla voidaan vaihtaa yhden puhallustilan välillä:

normaali tuuli, luonnollinen tuuli ja lepötila. Valitun tilan diodi syttyy ohjauspaneelissa (12).

a) Normaalityla: käyttöä voi säätää tuulettimen nopeutta manuaalisesti korkean, keskitason ja matalan välillä.

b) Natural Mode: jäljittelee tuulen luonnollista toimintaa toistamalla tuulettimen nopeusjärjestys:

* Kun valitset pienen tuulettimen nopeuden, laite puhaltaa ja toistaa alla olevan syklin: alhainen 4 sekuntia + pysäytys 2 sekuntia + keskimmäinen 4 sekuntia + alhainen 6 sekuntia + keski 4 sekuntia + pysäytys 2 sekuntia + keski 4 sekuntia + alhainen 6 sekuntia + keskellä 4 sekuntia + matala 4 sekuntia + keski 2 sekuntia + matala 4 sekuntia + keskimmäinen 4 sekuntia + matala 4 sekuntia + pysäytys 2 sekuntia + korkea 2 sekuntia + matala 4 sekuntia + keskimmäinen 2 sekuntia.

* Kun valitset tuulettimen keskimmäisen nopeuden, laite puhaltaa ja toistaa alla olevan syklin: matala 4 sekuntia + keskimmäinen 6 sekuntia + alhainen 2 sekuntia + korkea 2 sekuntia + pysäytys 2 sekuntia + keski 4 sekuntia + alhainen 4 sekuntia + keski 4 sekuntia + alhainen 2 sekuntia + keskellä 4 sekuntia + matala 4 sekuntia + korkea 2 sekuntia + pysäytys 2 sekuntia + keski 4 sekuntia + matala 4 sekuntia + korkea 4 sekuntia + pysäytys 2 sekuntia + keski 4 sekuntia + korkea 4 sekuntia.

* Kun valitset nopean tuulettimen nopeuden, laite puhaltaa ja toistaa alla olevan syklin: korkea 4 sekuntia + pysäytys 2 sekuntia + keskimmäinen 4 sekuntia + korkea 4 sekuntia + matala 4 sekuntia + korkea 2 sekuntia + keski 4 sekuntia + korkea 4 sekuntia + pysäytys 2 sekuntia + keskellä 4 sekuntia + korkea 6 sekuntia + matala 4 sekuntia + korkea 4 sekuntia + keski 4 sekuntia + matala 4 sekuntia + korkea 4 sekuntia + keski 4 sekuntia.

c) Lepötila: on suunniteltu käyttämään luonnollisen tilan vaikutuksia nukahtamiseen. Se pienentää tuulettimen nopeutta vähitellen 30 minuutin välein:

* Kun valitset pienen tuulettimen nopeuden: tuuletin toimii samalla tavalla kuin pienen nopeuden luonnollinen tila.

* Kun valitset tuulettimen keskimmäisen nopeuden: tuuletin puhaltaa 30 minuuttia luonnollisella keskitason nopeudella ja vaihtaa sitten hitaalle luonnolliselle tilalle.

* Kun valitset suuren tuulettimen nopeuden: tuuletin puhaltaa 30 minuuttia suurella nopeudella Natural Mode, seuraavaksi se kytketty 30 minuutiksi keskipitkällä Natural Mode -tilalla ja siirtyy sitten hitaalle Natural Mode -tilaan.

HUOMAUTUS: Jos haluat tuulettimen vakionopeuden nukkuessasi, suosittelemme tuulettimen asettamista normaalitilaan ja pienen nopeuden valitsemista. Käytä ajastintoimintoa asettaaksesi tuulettimen sammumaan kuluneen ajan kuluttua (esim. 1 tunti nukkumaanmenon jälkeen).

10. Kaikilla kaukosäätimen (10) painikkeilla on samat toiminnot kuin ohjauspaneelin (12) painikkeilla. Älä aseta mitään esineitä laitteen ja kaukosäätimen väliin varmistaaksesi oikean yhteyden kauko-ohjaimen ja laitteen välillä. Aloita kaukosäätimen (10) käyttö vetämällä asennuskalvo ulos. Jos haluat vaihtaa pariston, paina kauko-ohjaimen kotelon vapautuskielekettä, kuten kuvassa E.

PUHDISTUS JA HUOLTO

Irrota laite aina pistorasiasta, ennen kuin aloitat veden puhdistamisen tai lisäämisen/ tyhjentämisen tai laitteen liikkeen.

1. Tyhjennä vesisäiliö ja puhdista se sekä koko laite ennen käytön lopettamista, ennen kuin varastoit laitteen pidempään.

2. Puhdista pehmeällä, kuivalla liinalla. Älä käytä kemiallisia liuottimia, koska ne voivat aiheuttaa pysyviä vaurioita tai muodonmuutoksia.

3. Jos laitetta ei käytetä kolmeen tai useampaan kuukauteen, poista paristot kaukosäätimestä.

4. Pitkän käytön jälkeen verkko (7) ja höyrystinsuodatin (8) voidaan peittää pölyllä, mikä vaikuttaa suuresti laitteen jäähdytystehoon. Jos vettä ei vaihdeta pitkään aikaan, sinä voi olla hometta. Suosittelemme puhdistamaan kannen verkolla (7) ja suodattimella (8) 10 päivän välein. Suodattimen (8) puhdistusmenetely on seuraava:

a) Irrota laite pistorasiasta, irrota se vetämällä takakanasta (7) molemmista syvennyksistä (16) - katso kuvaa D. Poista haihdutussuodatin (8) vetämällä suodattimen salpaa (17) taaksepäin, muovi on joustavaa ja voit poistaa haihdutussuodattimen (8).

b) Puhdista haihdutussuodatin (8) pölynimurilla. Verkkosuojusta (7) ei saa hieroa käsillä verkon muodonmuutoksen välttämiseksi.

c) Aseta suodatin (8) ja kansi verkolla (7) takaisin paikalleen.

d) Varmista, että vesisäiliö (8), suodatin (5) ja verkko (7) oleva kansi on asetettu takaisin oikeaan asentoon ennen uudelleen kytkemistä päälle. Varmista ennen kausivarastoa, että kaikki osat ovat kuivia käynnistämällä puhallintila vähintään 2 tuntia ja varmista, että suodatin (5) on täysin kuiva.

4. Tyhjennä vesi ennen kausivarastoa poistamalla vesisäiliö (luku Käyttö - kohta 2). Puhdista vesisäiliö miedolla saippualla ja vedellä. Kuivaa laite ja vesisäiliö kokonaan kosteusvaurioiden välttämiseksi.

5. Tyhjennä vesi muovisäiliöistä (11) ennen varastointia.

6. Peitä laite muovipussilla pölyn estämiseksi ja kierrä virtajohtoa. Säilytä laitetta kuivassa paikassa poissa suorasta auringonvalosta.

7. Puhdista laite ja vesisäiliö ennen seuraavaa käyttöä.

KALKINPOISTO

1. Suorita kalkinpoistotoimenpide valmistajan määrittämän kalkinpoistoaineen ohjeiden mukaisesti.
2. Käytä tähän tarkoitukseen tarkoitettuja kalkinpoistoaineita.
3. Suorita kalkinpoisto vähintään kolmen kuukauden välein.
4. Poista kalkinpoisto vesisäiliöstä vain, kun laite on sammutettu.

TEKNISET TIEDOT:

Virtalähde 220-240V ~ 50-60 Hz

Teho: 80 W

Suurin teho: 350 W

Säiliön tilavuus: 2 litraa

Vedenkulutus: 230 ml / tunti

Akku: CR2025 (3V)

Melutaso: 59,4dB

Ilmavirta: 188,4 m³/h

Tuotteen mitat: 18,6 x 25,5 x 62,5 cm



Suojellaksesi ympäristöäsi: hävitä pahvilaatikat ja muovipussit ja kierrätä ne niille tarkoitetuissa jäteastioissa. Käytetyt koneet tulee toimittaa niihin erioistuneisiin keräyspisteisiin ympäristölle vaarallisten aineiden takia. Älä hävitä laitteita sekajätteessä.

РУССКИЙ

УСЛОВИЯ БЕЗОПАСНОСТИ. ВАЖНЫЕ ИНСТРУКЦИИ ПО БЕЗОПАСНОСТИ ИСПОЛЬЗОВАНИЯ ПОЖАЛУЙСТА, ПРОЧИТАЙТЕ ВНИМАТЕЛЬНО И СОХРАНИТЕ ДЛЯ БУДУЩЕГО ИСПОЛЬЗОВАНИЯ

Условия гарантии отличаются, если устройство используется в коммерческих целях.

1. Перед использованием продукта внимательно прочтите и всегда соблюдайте следующие инструкции. Производитель не несет ответственности за любой ущерб, возникший в результате неправильного использования.
2. Изделие разрешено использовать только в помещении. Не используйте продукт в каких-либо целях, несовместимых с его применением.
3. Применимое напряжение 220-240 В, ~ 50 Гц. По соображениям безопасности не рекомендуется подключать несколько устройств к одной розетке.
4. будьте осторожны при использовании с детьми. Не позволяйте детям играть с изделием. Не позволяйте детям или людям, не знакомым с устройством, использовать его без присмотра.
5. ПРЕДУПРЕЖДЕНИЕ: это устройство могут использовать дети старше 8 лет и лица с ограниченными физическими, сенсорными или умственными способностями, а также лица без опыта или знаний устройства только под наблюдением лица, ответственного за их безопасность, или если они были проинструктированы о безопасном использовании устройства и осведомлены об опасностях, связанных с его использованием. Дети не должны играть с устройством. Дети не должны чистить и обслуживать устройство, если им не исполнилось 8 лет и эти действия не выполняются под присмотром взрослых.
6. По окончании использования продукта всегда не забывайте осторожно вынимать вилку из розетки, придерживая ее рукой. Никогда не тяните за шнур питания !!!
7. Никогда не оставляйте изделие подключенным к источнику питания без присмотра. Даже если использование прерывается на короткое время, отключите его от сети, отключите питание.
8. Никогда не опускайте шнур питания, вилку или все устройство в воду. Никогда не подвергайте продукт воздействию атмосферных условий, таких как прямой солнечный свет, дождь и т. Д. Никогда не используйте продукт во влажных условиях.
9. Периодически проверяйте состояние кабеля питания. Если шнур питания поврежден, продукт следует заменить в специализированном сервисном центре,

чтобы избежать опасных ситуаций.

10. Никогда не используйте продукт с поврежденным шнуром питания, если его уронили, повредили иным образом, или если он не работает должным образом. Не пытайтесь отремонтировать неисправный продукт самостоятельно, так как это может привести к поражению электрическим током. Всегда отправляйте поврежденное устройство в специализированный сервисный центр для его ремонта. Ремонт может выполняться только авторизованными специалистами сервисной службы. Неправильно выполненный ремонт может создать опасные ситуации для пользователя.

11. Никогда не кладите изделие на горячие или теплые поверхности или кухонные приборы, такие как электрическая духовка или газовая горелка, или рядом с ними.

12. Никогда не используйте продукт рядом с горючими веществами.

13. Не допускайте свисания шнура через край стойки.

14. Не погружайте моторный блок в воду.

15. Для обеспечения дополнительной защиты рекомендуется установить в электрической цепи устройство защитного отключения (УЗО) с номинальным остаточным током не более 30 мА. Спросите об этом у электрика.

16. Не вставляйте пальцы или другие предметы в решетку корпуса устройства.

17. Не закрывайте розетку.

18. Когда закончите, перед тем, как убрать его, слейте воду из устройства.

19. Если устройство не используется долгое время, отключите его от источника питания.

20. Всегда используйте новые батарейки для замены разряженных батарей в пульте дистанционного управления.

21. Не перемещайте устройство, когда внутренний резервуар наполнен водой.

22. Не ставьте на устройство какие-либо предметы.

23. Устройство можно использовать только при исправной вентиляции.

Перед первым использованием

1. Следует помнить, что высокий уровень влажности может способствовать развитию биологических организмов в окружающей среде.

2. Не мочите устройство и не мочите область вокруг устройства. При появлении влаги снизьте эффективность функции увлажнения.

3. Не допускайте намокания впитывающих материалов, таких как ковры, шторы, скатерти.

4. Никогда не оставляйте воду в баке, когда устройство не используется.

• **ВНИМАНИЕ:** Если вода не заменяется и резервуар не очищается должным образом каждые 3 дня, микроорганизмы, которые могут присутствовать в воде или в окружающей среде, где используется или хранится устройство, могут развиваться в резервуаре для воды и вылетать в воздух. окрестности. Это может вызвать очень серьезный риск для здоровья.

• **ВНИМАНИЕ:** каждые три дня опорожняйте резервуар для воды и доливайте чистую воду. Перед заправкой промойте резервуар свежей водопроводной водой или моющими средствами. Удалите накипь, отложения или пленку, образовавшуюся по бокам бака и на внутренних поверхностях. После мытья вытрите все поверхности насухо.

5. Когда устройство используется впервые, двигатель устройства может издавать запах, который исчезнет в течение недели использования. В этом случае никаких действий не требуется.

ОПИСАНИЕ ИЗДЕЛИЯ Безопасный воздухоохладитель MS7856

1. Ручка

3. Ручка для ручного управления направлением воздушного потока вверх / вниз

5. Указатель уровня воды

7. Задняя крышка с сеткой

9. Резервуар для воды

11. Ледяные боксы

13. Замок резервуара для воды

15. Насос

17. Защелки фильтра.

2. Выход воздуха

4. Передний корпус

6. Задний корпус

8. Испарительный фильтр

10. Пульт дистанционного управления.

12. Панель управления.

14. Защелка насоса.

16. Углубление в крышке.

Пульт дистанционного управления и панель управления - рисунок В

А - кнопка включения

С - кнопка скорости вентилятора

Е - кнопка таймера

В - кнопка режима

Д - кнопка таймера

F - кнопка влажного охлаждения

РАБОТА

Заметное снижение температуры выходящего воздуха происходит после помещения в резервуар для воды (9) пластиковых контейнеров (11), входящих в комплект продукта. Пластиковые емкости следует предварительно заморозить в морозильной камере на несколько часов. Рекомендуется наполнить пластиковый контейнер (11) холодной водопроводной водой и не

превышать уровень MAX, указанный на пластиковом контейнере. Содержимое пластиковой тары запрещено употреблять в пищу. Держись подальше от детей.

1. Поместите устройство на сухую ровную поверхность. Если поверхность неровная, устройство может начать вибрировать и издавать необычный шум.
2. Поверните фиксатор резервуара для воды (13) в горизонтальное положение, как показано на рисунках С1 и С2. Затем немного выдвиньте резервуар для воды (9) с задней стороны устройства. Используйте кувшин, чтобы налить чистую холодную воду, будьте осторожны, чтобы не превысить максимальный уровень, указанный на указателе уровня воды (5) на передней панели устройства. Вы можете наливать воду, не вынимая полностью резервуар для воды. Во время наполнения и очистки отключите прибор от сети.
3. Чтобы полностью начать резервуар для воды, посмотрите на рисунок С3-С6. Сначала снимите насос (15), отпустив одну защелку насоса (14), и вытащите резервуар для воды (8). Не вынимайте насос, дайте ему оставаться подключенным к основному корпусу. Когда вы кладете резервуар для воды (9) обратно, обратите внимание, чтобы не пережимать водопроводные трубы, подключенные к насосу.
- После заливки воды поверните фиксатор резервуара для воды (13) в горизонтальное положение. Не наклоняйте устройство после того, как вы налили воду в резервуар для воды. Не снимайте резервуар для воды, когда устройство подключено к электросети.
4. Подключите вилку к источнику питания. Теперь можно использовать панель управления (12) или пульт дистанционного управления (10) для управления устройством (рисунок В). Включите устройство, нажав кнопку питания (А). Нажмите кнопку (А) еще раз, чтобы выключить устройство.
5. Кнопка SPEED (С) позволяет изменять скорость вентилятора. Можно выбрать следующие скорости: высокая, средняя и медленная. На панели управления загорится соответствующий диод.
6. Функция увлажнения воздуха управляется кнопкой ОХЛАЖДЕНИЕ (F), она снижает температуру воздуха за счет включения водяного насоса. Нажмите кнопку (F) ТОЛЬКО, когда вода внутри резервуара для воды, на панели управления (12) загорится соответствующий диод. Дополнительно прилагается комплект из двух пластиковых контейнеров (11). Пластиковые контейнеры (11) должны заполняться холодной водопроводной водой и не превышать максимального уровня. Затем поместите их на несколько часов в морозильную камеру. Затем поместите одну или обе емкости в резервуар для воды (9). Чтобы обдувать влажным прохладным воздухом, прибор необходимо наполнить водой. Во время работы устройства периодически проверяйте уровень воды, чтобы узнать, нужно ли добавлять воду. Нажмите кнопку (F) еще раз, чтобы выключить подачу влажного холодного воздуха.
7. Нажатие функции колебания путем нажатия кнопки SWING (E) для равномерного распределения потока холодного воздуха влево и вправо. На панели управления (12) загорится соответствующий диод.
8. Кнопка Таймер (D) позволяет программировать продолжительность работы с шагом 1 час от 1 до 8 часов. При повторном нажатии этой кнопки на панели управления (12) загорится комбинация диодов. Сумма отметок светящихся диодов означает выбранный период работы прибора до автоматического выключения прибора.
9. Кнопка РЕЖИМ (B) позволяет переключаться между одним из 3 режимов обдува:
нормальный ветер, естественный ветер и спящий режим. На панели управления (12) загорится диод выбранного режима.
а) Нормальный режим: позволяет пользователю вручную регулировать скорость вращения вентилятора между высокой, средней и низкой.
б) Естественный режим: имитирует действие естественного ветра, повторяя последовательность скорости вращения вентилятора:
* При выборе низкой скорости вентилятора устройство выдувается и повторяет следующий цикл: низкий 4 секунды + остановка 2 секунды + средний 4 секунды + низкий 6 секунд + средний 4 секунды + остановка 2 секунды + высокий 2 секунды + низкий 6 секунд + средний 4 секунды + низкий 4 секунды + средний 2 секунды + низкий 4 секунды + средний 4 секунды + низкий 4 секунды + стоп 2 секунды + высокий 2 секунды + низкий 4 секунды + средний 2 секунды.
* При выборе средней скорости вентилятора устройство выдувается и повторяет следующий цикл: низкий 4 секунды + средний 6 секунд + низкий 2 секунды + высокий 2 секунды + остановка 2 секунды + средний 4 секунды + низкий 4 секунды + средний 4 секунды + низкий 2 секунды + средний 4 секунды + низкий 4 секунды + высокий 2 секунды + стоп 2 секунды + средний 4 секунды + низкий 4 секунды + высокий 4 секунды + стоп 2 секунды + средний 4 секунды + высокий 4 секунды.

* При выборе высокой скорости вентилятора устройство выдувается и повторяет следующий цикл: высокий 4 секунды + остановка 2 секунды + средний 4 секунды + высокий 4 секунды + низкий 4 секунды + высокий 2 секунды + средний 4 секунды + высокий 4 секунды + стоп 2 секунды + средний 4 секунды + высокий 6 секунд + низкий 4 секунды + высокий 4 секунды + средний 4 секунды + низкий 4 секунды + высокий 4 секунды + средний 4 секунды.
с) Спящий режим: был разработан для использования эффектов естественного режима для засыпания. Скорость вентилятора будет постепенно снижаться с шагом в 30 минут:
* При выборе низкой скорости вентилятора: вентилятор будет работать так же, как и в естественном режиме низкой скорости.
* При выборе средней скорости вентилятора: вентилятор будет дуть 30 минут на средней скорости в естественном режиме, затем переключится в естественный режим низкой скорости.
* При выборе высокой скорости вентилятора: вентилятор будет дуть 30 минут в естественном режиме высокой скорости, затем он переключится на 30 минут в естественном режиме средней скорости, затем он переключится в естественный режим низкой скорости.

ПРИМЕЧАНИЕ. Если вы предпочитаете постоянную скорость вращения вентилятора во время сна, мы рекомендуем отключать вентилятор в нормальный режим и выбрать низкую скорость. Используйте функцию таймера, чтобы вентилятор отключался по истечении определенного времени (например, через 1 час после того, как вы ложитесь спать).

10. Все кнопки на пульте дистанционного управления (10) имеют те же функции, что и кнопки на панели управления (12). Не помещайте какие-либо предметы между устройством и пультом дистанционного управления, чтобы обеспечить надлежащую связь между пультом дистанционного управления и устройством. Чтобы начать работу пульта дистанционного управления (10), снимите установочную пленку. Чтобы заменить батарею, нажмите фиксатор на корпусе пульта дистанционного управления, как показано на рисунке E. Замените батарею того же типа, обратите внимание, чтобы установить ее обратно в правильном полюсе поляризации, соберите батарею в обратном порядке.

ЧИСТКА И ТЕХНИЧЕСКОЕ ОБСЛУЖИВАНИЕ

Всегда отключайте устройство от сети перед тем, как начать чистку, добавление / слив воды или перемещение устройства. 1. По окончании эксплуатации, прежде чем хранить устройство на более длительное время, слейте воду из резервуара для воды и очистите его и все устройство.

2. Протрите мягкой сухой тканью. Не используйте химические растворители, потому что они могут вызвать необратимое

повреждение или деформацию устройства.

3. Если устройство не используется в течение трех или более месяцев, выньте батарейки из пульта дистанционного управления.

4. После долгой эксплуатации крышка с сеткой (7) и испарительный фильтр (8) могут забиться пылью, что сильно повлияет на эффективность охлаждения устройства. Если долгое время вода не менялась, может появиться плесень. Мы рекомендуем очищать крышку с сеткой (7) и фильтром (8) один раз в 10 дней. Процедура очистки фильтра (8) следующая:

а) Отключите устройство от сети, потяните заднюю крышку (7) за оба углубления (16), чтобы снять ее - см. рисунок D. Чтобы снять испарительный фильтр (8), потяните назад защелку фильтра (17), пластик гибкий и позволит вам снять испарительный фильтр (8).

б) Очистите испарительный фильтр (8) с помощью пылесоса. Покрытие с сеткой (7) нельзя тереть руками, чтобы избежать деформации сетки.

в) Установите фильтр (8) и крышку с сеткой (7) на место.

г) Перед повторным включением убедитесь, что резервуар для воды (8), фильтр (5) и крышка с сеткой (7) установлены в правильное положение. Перед сезонным хранением убедитесь, что все детали сухие, запустив режим вентилятора на 2 часа или меньше, чтобы убедиться, что фильтр (5) полностью высох.

4. Слейте воду перед сезонным хранением, сняв резервуар для воды (глава Эксплуатация - пункт 2). Для очистки резервуара для воды используйте мягкое мыло и воду. Затем полностью высушите устройство и резервуар для воды, чтобы избежать повреждения от влаги.

5. Перед хранением слейте воду из пластиковых контейнеров (11).

6. Накройте устройство пластиковым пакетом для защиты от пыли и сверните шнур питания. Храните устройство в сухом месте вдали от прямых солнечных лучей.

7. Перед следующим использованием очистите устройство и резервуар для воды.

УДАЛЕНИЕ НАКИПИ

1. Выполните процедуру удаления накипи в соответствии с инструкциями по очистке от накипи, указанными производителем.

2. Используйте предназначенные для этого средства для удаления накипи.

3. Выполняйте очистку от накипи не реже одного раза в 3 месяца.

4. Удаляйте накипь из резервуара для воды только при выключенном устройстве.

ТЕХНИЧЕСКИЕ ДАННЫЕ:

Электропитание 220-240 В ~ 50-60 Гц

Мощность: 80 Вт

Максимальная мощность: 350 Вт

Емкость бака: 2 литра

Расход воды: 230 мл / час.

Батарея: CR2025 (3 В)

Уровень шума: 59,4 дБ

Объем воздушного потока: 188,4 м³ / ч

Размеры изделия: 18,6 x 25,5 x 62,5 см.



Забываясь об окружающей среде. Упаковку из картона передайте, пожалуйста, на макулатуру. Полиэтиленовые мешки (PE) выкидывать в резервуар для пластмасс. Изношенное устройство надо передать в соответствующую точку хранения, так как находящиеся в устройстве опасные составляющие могут являться угрозой для окружающей среды. Электрическое устройство надо передать таким образом, чтобы ограничить его повторное употребление и использование. Если в устройстве находятся батареи, их надо вытянуть и передать в точку хранения отдельно. Устройство не выкидывать в резервуар для коммунальных отходов!

SLOVENŠČINA

VARNOSTNI POGOJI. POMEMBNA NAVODILA O VARNOSTI UPORABE

PROSIMO, DA PREVIDNO PREBERETE IN BODITE ZA PRIHODNO REFERENCE

Garancijski pogoji so drugačni, če se naprava uporablja v komercialne namene.

1. Pred uporabo izdelka pozorno preberite in vedno upoštevajte naslednja navodila.

Proizvajalec ne odgovarja za škodo, nastalo zaradi zlorabe.

2. Izdelek je dovoljeno uporabljati samo v zaprtih prostorih. Izdelka ne uporabljajte za noben namen, ki ni združljiv z njegovo uporabo.

3. Veljavna napetost je 220-240V, ~ 50Hz. Iz varnostnih razlogov ni primerno priključiti več naprav v eno vtičnico.

4. Pri uporabi z otroki bodite previdni. Otrokom ne dovolite, da se igrajo z izdelkom. Ne dovolite otrokom ali osebam, ki naprave ne poznajo, da jo uporabljajo brez nadzora.

5. OPOZORILO: To napravo lahko uporabljajo otroci, starejši od 8 let, in osebe z zmanjšanimi fizičnimi, čutnimi ali duševnimi sposobnostmi ali osebe brez izkušenj ali znanja o napravi, le pod nadzorom osebe, odgovorne za njihovo varnost, ali če so bili poučeni o varni uporabi naprave in se zavedajo nevarnosti, povezanih z njenim delovanjem. Otroci se ne smejo igrati z napravo. Otroci ne smejo čistiti in vzdrževati naprave, razen če so starejši od 8 let in se te dejavnosti izvajajo pod nadzorom.

6. Ko končate z uporabo izdelka, ne pozabite nežno odstraniti vtiča iz vtičnice, tako da z roko držite vtičnico. Nikoli ne vlecite za napajalni kabel !!!

7. Nikoli ne puščajte izdelka priključenega na vir napajanja brez nadzora. Tudi če je uporaba

za kratek čas prekinjena, jo izklopite iz omrežja in izključite napajanje.

8. Napajalnega kabla, vtiča ali celotne naprave nikoli ne spuščajte v vodo. Izdelka nikoli ne izpostavljajte atmosferskim razmeram, na primer neposredni sončni svetlobi, dežju itd. Nikoli ne uporabljajte izdelka v vlažnih razmerah.

9. Občasno preverite stanje napajalnega kabla. Če je napajalni kabel poškodovan, je treba izdelek obrniti na poklicno servisno mesto, kjer ga je treba zamenjati, da bi se izognili nevarnim situacijam.

10. Izdelka nikoli ne uporabljajte s poškodovanim napajalnim kablom, če je padel ali kako drugače poškodovan ali če ne deluje pravilno. Poškodovanega izdelka ne poskušajte popraviti sami, ker lahko povzroči električni udar. Poškodovano napravo vedno obrnite na poklicni servis, da jo popravite. Vsa popravila lahko opravijo samo pooblašteni serviserji. Nepravilno opravljeno popravilo lahko povzroči nevarne situacije za uporabnika.

11. Izdelka nikoli ne postavljajte na ali v bližini vročih ali toplih površin ali kuhinjskih aparatov, kot sta električna pečica ali plinski gorilnik.

12. Izdelka nikoli ne uporabljajte v bližini vnetljivih snovi.

13. Ne dovolite, da kabel visi čez rob števca.

14. Motorne enote ne potaplajte v vodo.

15. Za dodatno zaščito je priporočljivo, da v električno vezje vgradite napravo za preostali tok (RCD) z nazivnim preostalim tokom, ki ne presega 30 mA. Za to vprašajte električarja.

16. V rešetko ohišja naprave ne vstavljajte prstov ali drugih predmetov.

17. Ne blokirajte vtičnice.

18. Ko končate, pred odlaganjem odcedite vodo iz naprave.

19. Če naprave ne uporabljate dlje časa, jo izključite iz vira napajanja.

20. Za zamenjavo izpraznjenih baterij v daljinskem upravljalniku vedno uporabite nove baterije.

21. Naprave ne premikajte, če je notranji rezervoar napolnjen z vodo.

22. Na napravo ne postavljajte nobenih predmetov.

23. Napravo lahko uporabljate le z ustrezno delujočim prezračevanjem.

Pred prvo uporabo

1. Ne smemo pozabiti, da lahko visoka vlažnost prispeva k razvoju bioloških organizmov v okolju.

2. Ne zmočite naprave ali območja okoli naprave. Če se pojavi vlaga, zmanjšajte učinkovitost funkcije vlaženja.

3. Ne dovolite, da se vpojni materiali, kot so preproge, zavese, prti, zmočijo.

4. Nikoli ne puščajte vode v rezervoarju, ko naprave ne uporabljate.

• OPOZORILO: Če vode ne zamenjate in rezervoar ne očistite pravilno vsake 3 dni, se lahko v rezervoarju za vodo razvijejo mikroorganizmi, ki so lahko prisotni v vodi ali v okolju, kjer se naprava uporablja ali shranjuje. Okolico. To lahko povzroči zelo resno tveganje za zdravje.

• OPOZORILO: Vsake tri dni izpraznite rezervoar za vodo in ga napolnite s čisto vodo. Pred ponovnim polnjenjem očistite rezervoar s svežo vodo iz pipe ali uporabite detergente. Odstranite vse luske, usedline ali film, ki je nastal na straneh rezervoarja in na notranjih površinah. Po pranju obrišite vse površine do suhega.

5. Ko napravo prvič uporabite, lahko iz nje nastane vonj, ki bo izginil v enem tednu uporabe. V tem primeru vaše dejanje ni potrebno.

OPIS IZDELKA Hladilnik zraka brez rezila MS7856

1. Ročaj

3. Ročaj za ročno krmiljenje smeri pretoka zraka navzgor / navzdol.

5. Merilnik nivoja vode

7. Zadnji pokrov z mrežo

9. Rezervoar za vodo

11. Skatle za led

13. Ključavnica rezervoarja za vodo

15. Črpalka

17. Zapah filtra

2. Odvod zraka

4. Sprednje ohišje

6. Zadnje ohišje

8. Filter za izhlapevanje

10. Daljinski upravljalnik

12. Nadzorna plošča

14. Zapah črpalke

16. Odprtina pokrova

Daljinski upravljalnik in nadzorna plošča - slika B

A - gumb za vklop

C - gumb za hitrost ventilatorja

E - časovnik

B - gumb za način

D - gumb za merjenje časa

F - gumb za mokro hlajenje

DELOVANJE

Opazno znižanje temperature izstopnega zraka se pojavi, ko v posodo za vodo (9) vstavite plastične posode (11), ki so priložene izdelku. Plastične posode je treba za nekaj ur zamrzniti v zamrzovalniku. Priporočljivo je, da plastično posodo (11) napolnite s hladno vodo iz pipe in ne presežete vrednosti MAX, označene na plastični posodi. Prepovedano je jesti vsebino plastične posode. Hraniti ločeno od otrok.

1. Napravo postavite na suho, ravno površino. Če površina ni ravna, lahko naprava začne vibrirati in dobi nenavaden hrup.
2. Zavrtite zapiralno rezervoarja za vodo (13) v ravno lego, kot je prikazano na slikah C1 in C2. Nato z zadnje strani naprave nekoliko izvlecite rezervoar za vodo (9). Z vrčem nalijte čisto, hladno vodo, pazite, da ne presežete najvišjega nivoja, označenega na merilniku nivoja vode (5) na sprednji strani naprave. Lahko nalijete vodo, ne da bi popolnoma izvlekli rezervoar za vodo. Med polnjenjem in čiščenjem odklopite napravo iz električnega omrežja.
3. Če želite popolnoma odstraniti rezervoar za vodo, pogledajte sliko C3-C6. Najprej odstranite črpalko (15) tako, da sprostite en zapah črpalke (14) in izvlecite rezervoar za vodo (8). Črpalke ne izvlecite, naj ostane povezana z glavnim ohišjem. Ko posodo za vodo (9) postavite nazaj, pazite, da ne stisnete vodovodnih cevi, priključenih na črpalko. Po izlivanju vode zaklepanje rezervoarja za vodo (13) obrnite v vodoravni položaj. Po nalivanju vode v rezervoar za vodo ne nagibajte naprave. Ne odstranjujte rezervoarja za vodo, ko je naprava priključena na električno omrežje.
4. Priključite vtič na električno omrežje. Zdjaj lahko za upravljanje naprave uporabljate nadzorno ploščo (12) ali daljinski upravljalnik (10) (slika B). Napravo vklopite s pritiskom na gumb za vklop (A). Ponovno pritisnite gumb (A), da izklopite napravo.
5. Gumb SPEED (K) vam omogoča spreminjanje hitrosti ventilatorja. Izberate lahko med naslednjimi hitrostmi: visoko, srednjo in počasno. Ustrezna dioda na nadzorni plošči zasveti.
6. Funkcijo vlaženja zraka upravlja gumb COOL (F), znižuje temperaturo zraka z delovanjem vodne črpalke. Pritisnite gumb (F) SAMO, ko je v rezervoarju za vodo, ustrezna dioda zasveti na nadzorni plošči (12). Poleg tega je pritrjen komplet dveh plastičnih posod (11). Plastične posode (11) je treba napolniti s hladno vodo iz pipe in ne presegati najvišje ravni. Nato jih za nekaj ur postavite v zamrzovalnik. Nato postavite eno ali obe posodi v rezervoar za vodo (9). Za pihanje mokrega hladnega zraka je treba napravo napolniti z vodo. Ko naprava deluje, občasno preverite nivo vode, da vidite, ali je treba dodati vodo. Ponovno pritisnite gumb (F), da izklopite pihanje mokrega hladnega zraka.
7. S pritiskom na funkcijo nihanja s pritiskom gumba SWING (E) zagotovite enakomerno porazdelitev toka hladnega zraka v levo in desno smer. Ustrezna dioda zasveti na nadzorni plošči (12).
8. Gumb TIMER (D) omogoča programiranje časa delovanja z 1-urnim zmanjšanjem od 1 do 8 ur. Večkratni pritisk tega gumba prižge kombinacijo diod na nadzorni plošči (12). Vsota označenih svetlečih diod pomeni izbrano obdobje delovanja naprave pred samodejnim izklopom naprave.
9. Gumb MODE (B) omogoča preklon med enim od treh načinov pihanja: normalni veter, naravni veter in način spanja. Dioda izbranega načina bo zasvetila na nadzorni plošči (12).
 - a) Običajen način: omogoča uporabniku, da ročno nastavi hitrost ventilatorja med visoko, srednjo in nizko.
 - b) Naravni način: posnema delovanje naravnega vetra s ponavljanjem zaporedja hitrosti ventilatorja:
 - * Ko izberete nizko hitrost ventilatorja, naprava izklopi in se ponovi pod ciklom: nizke 4 sekunde + zaustavitev 2 sekundi + srednja 4 sekunde + nizka 6 sekund + srednja 4 sekunde + visoki 2 sekundi + visoka 2 sekundi + nizka 6 sekund + srednja 4 sekunde + nizke 4 sekunde + srednje 2 sekunde + nizke 4 sekunde + srednje 4 sekunde + nizke 4 sekunde + stop 2 sekundi + visoke 2 sekunde + nizke 4 sekunde + srednje 2 sekunde.
 - * Ko izberete srednjo hitrost ventilatorja, naprava izklopi in se ponovi pod ciklom: nizko 4 sekunde + srednje 6 sekund + nizko 2 sekundi + visoko 2 sekundi + zaustavitev 2 sekundi + srednje 4 sekunde + nizko 4 sekunde + srednje 4 sekunde + nizko 2 s
 - * Ko izberete hitro hitrost ventilatorja, naprava izklopi in se ponovi pod ciklom: visoke 4 sekunde + ustavitev 2 sekundi + srednje 4 sekunde + visoke 4 sekunde + nizke 4 sekunde + visoke 2 sekunde + srednje 4 sekunde + visoke 4 sekunde + zaustavitev 2 sekundi + srednji 4 sekunde + visoki 6 sekund + nizki 4 sekunde + visoki 4 sekunde + srednji 4 sekunde + nizki 4 sekunde + visoki 4 sekunde + visoki 4 sekunde + srednji 4 sekunde + srednji 4 sekunde.
- c) Način spanja: zasnovan je za uporabo učinkov naravnega načina spanja. Hitrost ventilatorja bo postopoma zmanjševala v korakih po 30 minut:
 - * Ko izberete nizko hitrost ventilatorja: ventilator bo deloval enako kot nizki hitrosti naravnega načina.
 - * Ko izberete srednjo hitrost ventilatorja: ventilator bo pihal 30 minut pri srednji hitrosti naravnega načina, nato preklopite na naravni način pri nizki hitrosti.
 - * Ko izberete visoko hitrost ventilatorja: ventilator bo pihal 30 minut pri visokih hitrostih naravnega načina, nato se bo za 30 minut preklopil na srednji hitrosti naravnega načina, nato pa preklopil na naravni način pri nizki hitrosti.

ČIŠČENJE IN VZDRŽEVANJE

Preden začnete čistiti ali dolivati/ odvajati vodo ali premikati napravo, jo vedno izključite iz vtičnice.

1. Po končanem delovanju, preden napravo shranite dlje časa, izpraznite rezervoar za vodo in očistite njega in celotno napravo.
2. Očistite z mehko, suho krpo. Ne uporabljajte kemičnih topil, ker lahko povzročijo trajno poškodbo ali deformacijo naprave.
3. Če naprave ne uporabljate tri ali več mesecev, vzemite baterije iz daljinskega upravljalnika.
4. Po dolgem delovanju se lahko pokrov z mrežo (7) in izhlapevalnim filtrom (8) zamaši s prahom, kar bo močno vplivalo na zmogljivost hlajenja naprave. Če dolgo časa ne zamenjate vode, lahko pride do plesni. Pokrov z mrežo (7) in filtrom (8) očistite enkrat na 10 dni. Postopek čiščenja filtra (8) je naslednji:
 - a) Odklopite napravo, povlecite zadnji pokrov (7) za obe vdolbini (16), da ga odstranite - pogledajte sliko D. Če želite odstraniti izhlapevalni filter (8), povlecite zapah filtra (17), plastika je prožna in vam bo omogočilo odstranitev filtra za izhlapevanje (8).
 - b) Izparilni filter (8) očistite s sesalnikom. Preveče z mrežo (7) ne smete drgniti z rokami, da se izognete deformaciji mreže.
 - c) Filter (8) in pokrov z mrežo (7) znova namestite.
 - d) Pred ponovnim vklopom preverite, ali so rezervoar za vodo (8), filter (5) in pokrov z mrežo (7) v pravilnem položaju. Pred sezonskim shranjevanjem se prepričajte, da so vsi deli suhi, tako da vklopite način ventilatorja 2 uri ali krajše, da se prepričate, da je filter (5) popolnoma suh.
4. Pred sezonskim skladiščenjem izpraznite vodo tako, da odstranite rezervoar za vodo (poglavje Delovanje - točka 2). Za čiščenje rezervoarja za vodo uporabite blago milo in vodo. Nato napravo in rezervoar za vodo popolnoma posušite, da se izognete poškodbam zaradi vlage.
5. Pred shranjevanjem izpusite vodo iz plastičnih posod (11).
6. Napravo pokrijte s plastično vrečko, da zaščitite pred prahom in navite napajalni kabel. Napravo shranite na suhem mestu, zaščiten pred neposredno sončno svetlobo.
7. Pred naslednjo uporabo očistite napravo in rezervoar za vodo.

DESCALING

1. Postopek odstranjanja vodnega kamna izvedite v skladu z navodili sredstva za odstranjevanje vodnega kamna, ki ga je določil proizvajalec.
2. Uporabljajte za ta namen sredstva za odstranjevanje vodnega kamna.
3. Postopek odstranjanja vodnega kamna izvedite vsaj vsake 3 mesece.
4. Odstranite vodni kamen iz rezervoarja za vodo šele, ko je naprava izklopljena.

TEHNIČNI PODATKI:

Napajanje 220-240V ~ 50-60 Hz

Moč: 80 W

Največja moč: 350 W

Prostornina rezervoarja: 2 litra

Poraba vode: 230 ml / uro

Baterija: CR2025 (3V)

Raven hrupa: 59,4 dB

Količina pretoka zraka: 188,4m³/h

Dimenzije izdelka: 18,6 x 25,5 x 62,5 cm



Skrbimo za okolje. Kartonska embalaža, prosim darovati na odpadni papir. Polietilenske vreče (PE) mečite v posoda za plastiko. Dotrajane naprave je treba vrniti na ustrezno zbirno mesto, ker vsebovane v napravo nevarne elemente lahko predstavljajo nevarnost za okolje. Električna naprava je treba vrniti kakor, da se omeji njegovo ponovno uporabo in izkoriščenost. Če naprava vsebuje baterijo, je treba odstraniti in ločeno dati nazaj na mesta skladiščenja.

HRVATSKI

SIGURNOSNI UVJETI. VAŽNE UPUTE O SIGURNOSTI KORIŠTENJA PAŽLJIVO PROČITAJTE I ČUVAJTE ZA BUDUCU REFERENCU

Jamstveni uvjeti su različiti ako se uređaj koristi u komercijalne svrhe.

1. Prije uporabe proizvoda pažljivo pročitajte i uvijek se pridržavajte sljedećih uputa.

Proizvođač nije odgovoran za bilo kakvu štetu nastalu zbog zlorabe.

2. Proizvod se smije koristiti samo u zatvorenim prostorima. Nemojte koristiti proizvod u bilo koju svrhu koja nije kompatibilna s njegovom primjenom.

3. Primjenjivi napon je 220-240V, ~ 50Hz. Iz sigurnosnih razloga nije prikladno spajanje više uređaja u jednu utičnicu.

4. Budite oprezni pri uporabi s djecom. Ne dopustite djeci da se igraju s proizvodom. Ne dopustite djeci ili osobama koje ne poznaju uređaj da ga koriste bez nadzora.

5. **UPOZORENJE:** Ovaj uređaj smiju koristiti djeca starija od 8 godina i osobe sa smanjenim fizičkim, osjetilnim ili mentalnim sposobnostima, ili osobe bez iskustva ili znanja o uređaju, samo pod nadzorom osobe odgovorne za njihovu sigurnost, ili ako su dobili upute o sigurnoj uporabi uređaja i svjesni su opasnosti povezanih s njegovim radom. Djeca se ne smiju igrati s uređajem. Čišćenje i održavanje uređaja ne smiju provoditi djeca, osim ako su starija od 8 godina i ako se te aktivnosti provode pod nadzorom.

6. Nakon što završite s korištenjem proizvoda, uvijek imajte na umu da pažljivo izvucite utikač iz utičnice držeći utičnicu rukom. Nikada ne vucite kabel za napajanje !!!

7. Nikada ne ostavljajte proizvod spojen na izvor napajanja bez nadzora. Čak i kad je uporaba na kratko prekinuta, isključite je iz mreže, isključite napajanje.

8. Nikada nemojte stavljati kabel za napajanje, utikač ili cijeli uređaj u vodu. Nikada ne izlažite proizvod atmosferskim uvjetima, poput izravnog sunčevog svjetla, kiše itd. Nikada nemojte koristiti proizvod u vlažnim uvjetima.

9. Povremeno provjeravajte stanje kabela za napajanje. Ako je kabel za napajanje oštećen, proizvod treba okrenuti na mjesto profesionalnog servisa radi zamjene kako bi se izbjegle opasne situacije.

10. Nikada nemojte koristiti proizvod s oštećenim kabelom za napajanje, ako je ispušten ili oštećen na neki drugi način ili ako ne radi ispravno. Ne pokušavajte sami popraviti neispravni proizvod jer to može dovesti do strujnog udara. Oštećeni uređaj uvijek okrenite na mjesto profesionalnog servisa kako biste ga popravili. Sve popravke mogu izvesti samo ovlašteni serviseri. Popravak koji je učinjen pogrešno može izazvati opasne situacije za korisnika.

11. Nikada ne stavljajte proizvod na ili blizu vrućih ili toplih površina ili kuhinjskih aparata,

poput električne pećnice ili plinskog plamenika.

12. Nikada ne koristite proizvod u blizini zapaljivih tvari.

13. Ne dopustite da kabel visi preko ruba pulta.

14. Ne uranjajte motornu jedinicu u vodu.

15. Kako bi se osigurala dodatna zaštita, preporučljivo je u električni krug ugraditi uređaj za zaostalu struju (RCD) s nazivnom zaostalom strujom koja ne prelazi 30 mA. Za to pitajte električara.

16. Nemojte umetati prste ili bilo koje druge predmete u rešetku kućišta uređaja.

17. Ne blokirajte utičnicu.

18. Kada to učinite, prije odlaganja ispuštite vodu iz uređaja.

19. Ako se uređaj ne koristi dulje vrijeme, isključite ga iz napajanja.

20. Uvijek koristite nove baterije za zamjenu ispražnjenih baterija u daljinskom upravljaču.

21. Ne pomičite uređaj ako je unutarnji spremnik napunjen vodom.

22. Ne stavljajte nikakve predmete na uređaj.

23. Uređaj se može koristiti samo s ispravnom ventilacijom.

Prije prve uporabe

1. Treba imati na umu da visoka razina vlage može pogodovati razvoju bioloških organizama u okolišu.

2. Nemojte smočiti uređaj niti mokro područje oko uređaja. Ako se pojavi vlaga, smanjite učinkovitost funkcije ovlaživanja.

3. Ne dopustite da se upijajući materijali, poput tepiha, zavjesa, stolnjaka, smoče.

4. Nikada ne ostavljajte vodu u spremniku ako uređaj nije u upotrebi.

• UPOZORENJE: Kada se voda ne zamjenjuje i spremnik se ne čisti pravilno svaka 3 dana, mikroorganizmi koji mogu biti prisutni u vodi ili u okolišu u kojem se uređaj koristi ili skladišti mogu se razviti u spremniku za vodu i ispuhati do okoliča. To može uzrokovati vrlo ozbiljan zdravstveni rizik.

• UPOZORENJE: Svaka tri dana ispraznite spremnik za vodu i dopunite ga čistom vodom. Prije punjenja spremnik očistite svježom vodom iz slavine ili deterdžentima. Uklonite sve naslage, naslage ili film koji su se stvorili na stranicama spremnika i na unutarnjim površinama. Nakon pranja obrišite sve površine.

5. Kada se uređaj koristi prvi put, motor uređaja može stvoriti miris koji će se raspršiti u roku od tjedan dana korištenja. U ovom slučaju nije potrebno ništa poduzeti.

OPIS PROIZVODA Hladnjak zraka bez lopatica Ms7856

1. Ručka

3. Ručka za ručno upravljanje smjerom strujanja zraka gore / dolje

5. Mjerač razine vode

7. Stražnji poklopac s mrežom

9. Spremnik za vodu

11. Kutije za led

13. Brava spremnika za vodu

15. Crpka

17. Zasuni filtera

2. Otvor za zrak

4. Prednje kućište

6. Stražnje kućište

8. Filter za isparavanje

10. Daljinski upravljač

12. Upravljačka ploča

14. Zasun pumpe

16. Udubljenje poklopca

Daljinski upravljač i upravljačka ploča - slika B

A - gumb za uključivanje

C - tipka za brzinu ventilatora

E - tipka timera

B - gumb za način rada

D - tipka timera

F - tipka za mokro hlađenje

RAD

Primjetno smanjenje temperature izlaznog zraka događa se nakon stavljanja u spremnik za vodu (9) plastičnih spremnika (11) koji su uključeni u proizvod. Plastične posude prethodno treba zamrznuti u zamrzivaču na nekoliko sati. Preporuča se napuniti plastičnu posudu (11) hladnom vodom iz slavine i ne prelaziti MAX razinu označenu na plastičnoj posudi. Sadržaj plastične posude zabranjen je za jelo. Držati podalje od djece.

1. Uređaj postavite na suhu, ravnu površinu. Ako površina nije ravna, uređaj može početi vibrirati i dobiti neobičnu buku.

2. Okrenite u ravni položaj bravu spremnika za vodu (13) kao što je prikazano na slikama C1 i C2. Zatim malo izvucite spremnik za vodu (9) sa stražnje strane uređaja. Koristite vrč za izlivanje čiste, hladne vode, pazite da ne pređete maksimalnu razinu označenu na mjeraču razine vode (5) na prednjoj strani uređaja. Možete uliti vodu bez izvlačenja spremnika za vodu u potpunosti. Tijekom punjenja i čišćenja isključite uređaj iz električne mreže.

3. Za potpuno uklanjanje spremnika za vodu pogledajte sliku C3-C6. Najprije uklonite crpku (15) otpuštajući jedan zasun crpke (14) i izvucite spremnik za vodu (8). Nemojte izvlačiti pumpu, neka ostane spojena na glavno kućište. Kad spremnik za vodu (9) vratite natrag, pazite da ne stisnete vodovodne cijevi povezane s pumpom.

Nakon izlivanja vode, zaključajte spremnik za vodu (13) u vodoravan položaj. Nemojte naginjati uređaj nakon izlivanja vode u spremnik za vodu. Ne uklanjajte spremnik za vodu dok je uređaj priključen na napajanje.

4. Priključite utikač u izvor napajanja. Sada se može koristiti upravljačka ploča (12) ili daljinski upravljač (10) za upravljanje uređajem (slika B). Uključite uređaj pritiskom na gumb za napajanje (A). Ponovno pritisnite gumb (A) za isključivanje uređaja.

5. Tipka SPEED (C) omogućuje vam promjenu brzine ventilatora. Mogu se odabrati sljedeće brzine: visoka, srednja i spora. Odgovarajuća dioda na upravljačkoj ploči će zasvijetliti.

6. Funkcijom ovlaživanja zraka upravlja tipka COOL (F), snižava temperaturu zraka pokretanjem pumpe za vodu. Pritisnite gumb (F) SAMO ako u spremniku za vodu ima vode, odgovarajuća dioda će zasvijetliti na upravljačkoj ploči (12). Dodatno je pričvršćen set od dva plastična spremnika (11). Plastične posude (11) trebaju se puniti hladnom vodom iz slavine i ne prelaze maksimalnu razinu. Zatim ih stavite na nekoliko sati u zamrzivač. Zatim stavite jedan ili oba spremnika u spremnik za vodu (9). Za puhanje mokrog hladnog zraka uređaj se mora

napuniti vodom. Kad uređaj radi, povremeno provjeravajte razinu vode kako biste provjerili treba li dodati vode. Ponovno pritisnite gumb (F) da biste isključili puhanje mokrog hladnog zraka.

7. Pritiskom na funkciju osciliranja pritiskom na tipku SWING (E) osiguravate ravnomjernu raspodjelu strujanja hladnog zraka u lijevom i desnom smjeru. Odgovarajuća dioda svijetlit će na upravljačkoj ploči (12).

8. Tipka TIMER (D) omogućuje programiranje količine vremena rada sa smanjenjem od 1 sata od 1 do 8 sati. Ponovnim pritiskom na ovaj gumb svijetlit će kombinacija dioda na upravljačkoj ploči (12). Zbroj označenih dioda označava odabrano razdoblje rada uređaja prije automatskog isključivanja uređaja.

9. Gumb MODE (B) omogućuje promjenu između jednog od 3 načina puhanja:

normalni vjetar, prirodni vjetar i način mirovanja. Dioda odabranog načina rada svijetlit će na upravljačkoj ploči (12).

a) Normalni način rada: omogućuje korisniku ručno podešavanje brzine ventilatora između visoke, srednje i niske.

b) Prirodni način rada: oponaša djelovanje prirodnog vjetra ponavljanjem slijeda okretanja ventilatora:

* Kada odaberete nisku brzinu ventilatora, uređaj će se oglasiti i ponoviti donji ciklus: nisko 4 sekunde + zaustavljanje 2 sekunde + srednje 4 sekunde + nisko 6 sekundi + srednje 4 sekunde + zaustavljanje 2 sekunde + visoko 2 sekunde + nisko 6 sekundi + sredina 4 sekunde + niske 4 sekunde + srednje 2 sekunde + niske 4 sekunde + 4 sekunde + 4 sekunde + 4 sekunde + 2 sekunde + 2 sekunde + 2 sekunde + 4 sekunde + 2 sekunde u sredini.

* Kada odaberete srednju brzinu ventilatora, uređaj će se oglasiti i ponoviti ispod ciklusa: nisko 4 sekunde + srednje 6 sekunde + nisko 2 sekunde + visoko 2 sekunde + zaustavljanje 2 sekunde + srednje 4 sekunde + nisko 4 sekunde + srednje 4 sekunde + nisko 2 sekunde + srednja 4 sekunde + niska 4 sekunde + visoka 2 sekunde + zaustavljanje 2 sekunde + srednja 4 sekunde + niska 4 sekunde + visoka 4 sekunde + zaustavljanje 2 sekunde + srednja 4 sekunde + visoka 4 sekunde.

* Kada odaberete veliku brzinu ventilatora, uređaj se ispušta i ponavlja se ispod ciklusa: visoke 4 sekunde + stop 2 sekunde + srednje 4 sekunde + visoke 4 sekunde + niske 4 sekunde + visoke 2 sekunde + srednje 4 sekunde + visoke 4 sekunde + zaustavljanje 2 sekunde + srednja 4 sekunde + visoka 6 sekundi + niska 4 sekunde + visoka 4 sekunde + srednja 4 sekunde + niska 4 sekunde + visoka 4 sekunde + srednja 4 sekunde.

c) Način spavanja: osmišljen je tako da koristi efekte Prirodnog načina rada da zaspi. Postupno će smanjivati brzinu ventilatora u koracima od 30 minuta:

* Kada odaberete nisku brzinu ventilatora: ventilator će raditi isto kao i prirodni način rada pri malim brzinama.

* Kada odaberete srednju brzinu ventilatora: ventilator će puhati 30 minuta pri srednjoj brzini Prirodni način rada, a zatim prijeći na Prirodni način rada pri niskim brzinama.

* Kada odaberete veliku brzinu ventilatora: ventilator će puhati 30 minuta pri velikoj brzini Prirodni način rada, zatim će se prebaciti na 30 minuta pri srednjoj brzini Prirodni način rada, zatim će se prebaciti u Prirodni način rada pri malim brzinama.

NAPOMENA: Ako više volite konstantnu brzinu ventilatora tijekom spavanja, preporučujemo vam da postavite ventilator u normalni način rada i odaberete nisku brzinu. Pomoću funkcije timera postavite ventilator da se isključi nakon proteklog vremena (npr. 1 sat nakon odlaska u krevet).

10. Svi gumbi na daljinskom upravljaču (10) imaju iste funkcije kao i gumbi na upravljačkoj ploči (12). Ne stavljajte nikakve predmete između uređaja i daljinskog upravljača kako biste osigurali pravilnu komunikaciju između daljinskog upravljača i uređaja. Za pokretanje daljinskog upravljača (10) izvucite film za ugradnju. Da biste zamijenili bateriju, pritisnite jezičak za otpuštanje na kućištu daljinskog upravljača kao što je prikazano na slici E. Zamijenite je baterijom iste vrste, pazite da je vratite na pravilan polarizacijski pol, a zatim sklopite bateriju obrotim redosljedom.

ČIŠĆENJE I ODRŽAVANJE

Uvijek isključite uređaj iz utičnice prije početka čišćenja ili dodavanja/ ispuštanja vode ili pomicanja uređaja.

1. Nakon završetka rada, prije nego što uređaj spremite na duže vrijeme, ispraznite spremnik za vodu i očistite njega i cijeli uređaj.

2. Očistite mekom, suhom krpom. Nemojte koristiti kemijska otapala jer mogu uzrokovati trajna oštećenja ili deformacije uređaja.

3. Ako se uređaj ne koristi tri ili više mjeseci, izvadite baterije iz daljinskog upravljača.

4. Nakon dugotrajnog rada, poklopac s mrežom (7) i filterom za isparavanje (8) mogao bi se začepiti prašinom, što će uvelike utjecati na performanse hlađenja uređaja. Ako se voda dugo ne mijenja, možda postoji plijesan. Predlažemo čišćenje poklopca mrežom (7) i filterom (8) svakih 10 dana. Postupak čišćenja filtera (8) je sljedeći:

a) Isključite uređaj, povucite stražnji poklopac (7) za oba udubljenja (16) da biste ga uklonili - pogledajte sliku D. Za uklanjanje filtera za isparavanje (8) povucite zasun filtra (17), plastika je fleksibilna i omogućit će vam da izvadite filter za isparavanje (8).

b) Očistite filter za isparavanje (8) usisavačem. Poklopac s mrežom (7) ne smije se trljati rukama kako bi se izbjegla deformacija mreže.

c) Vratite filter (8) i poklopac s mrežom (7) na mjesto.

d) Prije ponovnog uključivanja provjerite jesu li spremnik za vodu (8), filter (5) i poklopac s mrežom (7) zamijenjeni u ispravnom položaju. Prije sezonskog skladištenja pobrinite se da su svi dijelovi suhi tako da uključite način rada ventilatora 2 sata ili kraće kako biste bili sigurni da je filter (5) potpuno suh.

4. Ispustite vodu prije sezonskog skladištenja uklanjanjem spremnika za vodu (poglavlje Rad - točka 2). Za čišćenje spremnika za vodu koristite blagi sapun i vodu. Zatim potpuno osušite uređaj i spremnik za vodu kako biste izbjegli oštećenja od vlage.

5. Prije skladištenja ispusite vodu iz plastičnih posuda (11).

6. Pokrijte uređaj plastičnom vrećicom radi zaštite od prašine i namotajte kabel za napajanje. Uređaj čuvajte na suhom mjestu zaštićenom od izravnog sunčevog svjetla.

7. Prije sljedeće uporabe očistite uređaj i spremnik za vodu.

DESCALING

1. Provedite postupak uklanjanja kamenca u skladu s uputama sredstva za uklanjanje kamenca koje je naveo proizvađač.

2. Koristite za tu namjenu sredstva za uklanjanje kamenca.

3. Provedite postupak uklanjanja kamenca najmanje svaka 3 mjeseca.

4. Uklonite kamenac iz rezervoara za vodu tek kad je uređaj isključen.

TEHNIČKI PODACI:

Napajanje 220-240V ~ 50-60 Hz

Snaga: 80 W

Maksimalna snaga: 350 W

Kapacitet spremnika: 2 litre

Potrošnja vode: 230 ml / sat

Baterija: CR2025 (3V)

Razina buke: 59,4 dB

Zapremina protoka zraka: 188,4m³/h

Dimenzije proizvoda: 18,6 x 25,5 x 62,5 cm



Vodimo brigu o prirodnom okolišu. Kartonsku ambalažu molimo prenijeti na otpadni papir. Polietilen (PE) vreće bacati u kontejner za plastiku. Istrošena oprema treba biti premještena na prikladno mjesto za pohranu, jer sadrže u ureadju opasne tvari mogu predstavljati opasnost za okoliš. Električni uređaj mora biti predat u takvom stanju da se smanji mogućnost njegove ponovne upotrebe. Ako vaš uređaj ima baterije, treba njih ukloniti i predati na mjesto za pohranu odvojeno.

ITALIANO

CONDIZIONI DI SICUREZZA. ISTRUZIONI IMPORTANTI SULLA SICUREZZA D'USO SI PREGA DI LEGGERE ATTENTAMENTE E CONSERVARE PER FUTURO RIFERIMENTO

Le condizioni di garanzia sono diverse se il dispositivo viene utilizzato per scopi commerciali.

1. Prima di utilizzare il prodotto leggere attentamente e seguire sempre le seguenti istruzioni. Il produttore non è responsabile per eventuali danni dovuti a un uso improprio.
2. Il prodotto deve essere utilizzato solo in ambienti interni. Non utilizzare il prodotto per scopi non compatibili con la sua applicazione.
3. La tensione applicabile è 220-240 V, ~ 50 Hz. Per motivi di sicurezza non è opportuno collegare più dispositivi a una presa di corrente.
4. Si prega di fare attenzione quando si utilizza intorno ai bambini. Non lasciare che i bambini giochino con il prodotto. Non consentire a bambini o persone che non conoscono il dispositivo di utilizzarlo senza supervisione.
5. **AVVERTENZA:** questo dispositivo può essere utilizzato da bambini di età superiore a 8 anni e persone con ridotte capacità fisiche, sensoriali o mentali, o persone senza esperienza o conoscenza del dispositivo, solo sotto la supervisione di una persona responsabile della loro sicurezza, o se sono stati istruiti sull'uso sicuro del dispositivo e sono consapevoli dei pericoli associati al suo funzionamento. I bambini non devono giocare con il dispositivo. La pulizia e la manutenzione del dispositivo non devono essere eseguite da bambini, a meno che non abbiano più di 8 anni e queste attività siano svolte sotto supervisione.
6. Dopo aver finito di utilizzare il prodotto, ricordarsi sempre di rimuovere delicatamente la spina dalla presa di corrente tenendola con la mano. Non tirare mai il cavo di alimentazione!!!
7. Non lasciare mai il prodotto collegato alla fonte di alimentazione senza supervisione. Anche quando l'utilizzo viene interrotto per un breve periodo, spegnerlo dalla rete, scollegare l'alimentazione.
8. Non mettere mai in acqua il cavo di alimentazione, la spina o l'intero dispositivo. Non esporre mai il prodotto alle condizioni atmosferiche come luce solare diretta o pioggia, ecc. Non utilizzare mai il prodotto in condizioni di umidità.
9. Controllare periodicamente le condizioni del cavo di alimentazione. Se il cavo di alimentazione è danneggiato, il prodotto deve essere consegnato a un centro di assistenza professionale per la sostituzione al fine di evitare situazioni pericolose.
10. Non utilizzare mai il prodotto con un cavo di alimentazione danneggiato o se è caduto o è stato danneggiato in altro modo o se non funziona correttamente. Non tentare di riparare da soli il prodotto difettoso perché può provocare scosse elettriche. Portare sempre il dispositivo danneggiato in un centro di assistenza professionale per ripararlo. Tutte le riparazioni possono essere eseguite solo da professionisti dell'assistenza autorizzati. La riparazione eseguita in modo errato può causare situazioni pericolose per l'utente.
11. Non posizionare mai il prodotto sopra o vicino a superfici calde o calde o ad elettrodomestici da cucina come il forno elettrico o il fornello a gas.
12. Non utilizzare mai il prodotto vicino a combustibili.
13. Non lasciare che il cavo penda dal bordo del bancone.
14. Non immergere l'unità motore in acqua.
15. Per fornire una protezione aggiuntiva, si consiglia di installare nel circuito elettrico un interruttore differenziale (RCD) con una corrente residua nominale non superiore a 30 mA. Chiedi a un elettricista per questo.
16. Non inserire le dita o altri oggetti nella griglia dell'alloggiamento del dispositivo.
17. Non bloccare la presa.
18. Al termine, prima di riporlo, scaricare l'acqua dal dispositivo.

19. Se il dispositivo non viene utilizzato per lungo tempo, scollegarlo dalla fonte di alimentazione.
20. Utilizzare sempre batterie nuove per sostituire le batterie scariche del telecomando.
21. Non spostare il dispositivo quando il serbatoio interno è pieno d'acqua.
22. Non posizionare alcun oggetto sul dispositivo.
23. Il dispositivo può essere utilizzato solo con ventilazione correttamente funzionante.

Prima del primo utilizzo

1. Si ricorda che un elevato tasso di umidità può favorire lo sviluppo di organismi biologici nell'ambiente.
2. Non bagnare il dispositivo o bagnare l'area intorno al dispositivo. Se compare umidità, ridurre l'efficienza della funzione di umidificazione.
3. Non permettere che materiali assorbenti come tappeti, tende, tovaglie si bagnino.
4. Non lasciare mai acqua nel serbatoio quando il dispositivo non è in uso.
- **ATTENZIONE:** Quando l'acqua non viene sostituita e il serbatoio non viene pulito adeguatamente ogni 3 giorni, i microrganismi che possono essere presenti nell'acqua o nell'ambiente in cui il dispositivo viene utilizzato o immagazzinato possono svilupparsi nel serbatoio dell'acqua ed essere espulsi per i dintorni. Ciò può causare un rischio molto grave per la salute.
- **ATTENZIONE:** Ogni tre giorni svuotare il serbatoio dell'acqua e rabboccare con acqua pulita. Prima di effettuare il rifornimento, pulire il serbatoio con acqua di rubinetto fresca o utilizzando detergenti. Rimuovere eventuali incrostazioni, depositi o pellicole che si sono formate sui lati del serbatoio e sulle superfici interne. Dopo il lavaggio, asciugare tutte le superfici.
5. Quando il dispositivo viene utilizzato per la prima volta, il motore del dispositivo può produrre un odore che si dissiperà entro una settimana di utilizzo. Non è richiesta la tua azione in questo caso.

DESCRIZIONE DEL PRODOTTO Raffreddatore ad aria senza lama Ms7856

- | | |
|---|-----------------------------|
| 1. Maniglia | 2. Uscita aria |
| 3. Maniglia per il controllo manuale della direzione del flusso d'aria su/giù | 4. Alloggiamento anteriore |
| 5. Indicatore del livello dell'acqua | 6. Alloggiamento posteriore |
| 7. Copertura posteriore con rete | 8. Filtro di evaporazione |
| 9. Serbatoio dell'acqua | 10. Telecomando |
| 11. Ghiacciaie | 12. Pannello di controllo |
| 13. Blocco serbatoio acqua | 14. Blocco pompa |
| 15. Pompa | 16. Incavo del coperchio |
| 17. Fermi del filtro | |

Telecomando e pannello di controllo – immagine B

- | | |
|-------------------------------|-----------------------------------|
| A – pulsante di accensione | B – pulsante modalità |
| C – pulsante velocità ventola | D – pulsante timer |
| E – pulsante timer | F – pulsante raffreddamento umido |

FUNZIONAMENTO

Una notevole riduzione della temperatura dell'aria in uscita si verifica dopo aver inserito nel serbatoio dell'acqua (9) i contenitori in plastica (11) inclusi nel prodotto. I contenitori di plastica vanno preventivamente congelati in freezer per qualche ora. Si consiglia di riempire il contenitore di plastica (11) con acqua di rubinetto fredda e non superare il livello MAX segnato sul contenitore di plastica. Il contenuto del contenitore di plastica è vietato commestibile. Tenere lontano dai bambini.

1. Posizionare il dispositivo su una superficie piana e asciutta. Se la superficie non è piana, il dispositivo può iniziare a vibrare e generare rumori anomali.
2. Ruotare in posizione piana il blocco del serbatoio dell'acqua (13) come mostrato nelle figure C1 e C2. Quindi, estrarre leggermente il serbatoio dell'acqua (9) dal retro del dispositivo. Utilizzare la caraffa per versare acqua pulita e fredda, fare attenzione a non superare il livello massimo contrassegnato dall'indicatore di livello dell'acqua (5) nella parte anteriore del dispositivo. È possibile versare l'acqua senza estrarre completamente il serbatoio dell'acqua. Durante il riempimento e la pulizia, scollegare l'apparecchio dalla rete.
3. Per rimuovere completamente il serbatoio dell'acqua, guardare la figura C3-C6. Rimuovere prima la pompa (15) sganciando un fermo della pompa (14) ed estrarre il serbatoio dell'acqua (8). Non estrarre la pompa, lasciarla collegata all'alloggiamento principale. Quando si ripone il serbatoio dell'acqua (9) prestare attenzione a non schiacciare i tubi dell'acqua collegati alla pompa.
- Dopo aver versato l'acqua, ruotare il blocco del serbatoio dell'acqua (13) in posizione orizzontale. Non inclinare il dispositivo dopo aver versato l'acqua nel serbatoio dell'acqua. Non rimuovere il serbatoio dell'acqua mentre il dispositivo è collegato all'alimentazione.
4. Collegare la spina all'alimentazione. Ora può essere utilizzato il pannello di controllo (12) o il telecomando (10) per azionare il dispositivo (figura B). Accendere il dispositivo premendo il pulsante di accensione (A). Premere nuovamente il pulsante (A) per spegnere il dispositivo.
5. Il pulsante SPEED (C) permette di modificare la velocità del ventilatore. È possibile selezionare le seguenti velocità: alta, media e lenta. Il diodo corrispondente sul pannello di controllo si accenderà.
6. La funzione di umidificazione dell'aria è azionata dal pulsante COOL (F), abbassa la temperatura dell'aria azionando la pompa dell'acqua. Premere il pulsante (F) SOLO quando c'è acqua all'interno del serbatoio, sul pannello comandi (12) si accenderà il relativo diodo. Inoltre, è fissata una serie di due contenitori di plastica (11). I contenitori di plastica (11) devono essere riempiti con acqua di rubinetto fredda e non superare il livello massimo. Quindi, metterli su diverse ore all'interno del congelatore. Quindi inserire uno o entrambi i contenitori nel serbatoio dell'acqua (9). Per soffiare l'aria fresca umida, il dispositivo deve essere riempito d'acqua. Quando il dispositivo è in funzione, controllare periodicamente il livello dell'acqua per vedere se aggiungere acqua. Premere nuovamente il pulsante (F) per disattivare l'emissione di aria fredda umida.
7. Premendo la funzione di oscillazione premendo il pulsante SWING (E) per fornire una distribuzione uniforme del flusso di aria fredda nella direzione sinistra e destra. Il diodo corrispondente si accenderà sul pannello di controllo (12).
8. Il pulsante TIMER (D) permette di programmare il tempo di funzionamento con decrementi di 1 ora da 1 a 8 ore. Premendo ripetutamente questo pulsante si accenderà una combinazione di diodi sul pannello di controllo (12). La somma dei diodi accesi indica il periodo prescelto in cui il dispositivo funzionerà prima dello spegnimento automatico del dispositivo.
9. Il pulsante MODE (B) consente di cambiare tra una delle 3 modalità di soffiaggio:
 vento normale, vento naturale e modalità sleep. Il diodo della modalità scelta si accenderà sul pannello di controllo (12).
 a) Modalità normale: consente all'utente di regolare manualmente la velocità della ventola tra alta, media e bassa.
 b) Modalità naturale: imita l'azione del vento naturale ripetendo la sequenza della velocità del ventilatore:
 * Quando si sceglie la bassa velocità della ventola, il dispositivo si spegne e ripete il ciclo seguente: basso 4 secondi + arresto 2 secondi + media 4 secondi + basso 6 secondi + media 4 secondi + arresto 2 secondi + alta 2 secondi + basso 6 secondi + media 4 secondi + basso 4 secondi + medio 2 secondi + basso 4 secondi + medio 4 secondi + basso 4 secondi + stop 2 secondi + alto 2 secondi + basso 4 secondi + medio 2 secondi.
 * Quando si sceglie la velocità media della ventola, il dispositivo si spegne e ripete il ciclo seguente: basso 4 secondi + medio 6 secondi + basso 2 secondi + alto 2 secondi + arresto 2 secondi + medio 4 secondi + basso 4 secondi + medio 4 secondi + basso 2 secondi + 4

secondi medi + 4 secondi bassi + 2 secondi alti + stop 2 secondi + 4 secondi medi + 4 secondi bassi + 4 secondi alti + stop 2 secondi + 4 secondi medi + 4 secondi alti.

* Quando si sceglie la velocità della ventola veloce, il dispositivo si spegne e ripete il ciclo seguente: alta 4 secondi + arresto 2 secondi + media 4 secondi + alta 4 secondi + bassa 4 secondi + alta 2 secondi + media 4 secondi + alta 4 secondi + arresto 2 secondi + 4 secondi medi + 6 secondi alti + 4 secondi bassi + 4 secondi alti + 4 secondi medi + 4 secondi bassi + 4 secondi alti + 4 secondi medi.

c) Modalità Sleep: è stata progettata per utilizzare gli effetti della Modalità Naturale per addormentarsi. Ridurrà gradualmente la velocità della ventola con incrementi di 30 minuti:

* Quando si sceglie la bassa velocità della ventola: la ventola funzionerà allo stesso modo della modalità naturale a bassa velocità.

* Quando si sceglie la velocità media della ventola: la ventola soffierà per 30 minuti a velocità media in modalità naturale, quindi passerà alla modalità naturale a bassa velocità.

* Quando si sceglie l'alta velocità della ventola: la ventola soffierà per 30 minuti ad alta velocità in modalità naturale, quindi passerà per 30 minuti a velocità media in modalità naturale, quindi passerà alla modalità naturale a bassa velocità.

NOTA: se si preferisce una velocità costante della ventola durante il sonno, si consiglia di impostare la ventola in modalità normale e selezionare una velocità bassa. Utilizzare la funzione timer per impostare lo spegnimento del ventilatore dopo un periodo di tempo trascorso (ad es. 1 ora dopo essere andati a letto).

10. Tutti i pulsanti del telecomando (10) hanno le stesse funzioni dei pulsanti del pannello di controllo (12). Non posizionare alcun oggetto tra il dispositivo e il telecomando per garantire una comunicazione corretta tra il telecomando e il dispositivo. Per avviare il funzionamento del telecomando (10), estrarre la pellicola di installazione. Per sostituire la batteria premere la linguetta di sblocco sull'alloggiamento del telecomando come mostrato in figura E. Sostituire con una batteria dello stesso tipo, fare attenzione a riposizionarla nel corretto polo di polarizzazione, rimontare la batteria in ordine inverso.

PULIZIA E MANUTENZIONE

Scollegare sempre il dispositivo prima di iniziare a pulire o aggiungere/drenare acqua o spostare il dispositivo.

1. Al termine dell'operazione, prima di riporre il dispositivo per un lungo periodo, svuotare il serbatoio dell'acqua e pulirlo e l'intero dispositivo.

2. Pulire con un panno morbido e asciutto. Non utilizzare solventi chimici perché possono causare danni permanenti o deformazioni del dispositivo.

3. Se il dispositivo non viene utilizzato per tre o più mesi, togliere le batterie dal telecomando.

4. Dopo un funzionamento prolungato, il coperchio con la rete (7) e il filtro di evaporazione (8) potrebbero essere ostruiti dalla polvere, il che influirà notevolmente sulle prestazioni di raffreddamento del dispositivo. Se per lungo tempo l'acqua non viene scambiata, potrebbe esserci della muffa. Si consiglia di pulire il coperchio con rete (7) e filtro (8) una volta ogni 10 giorni. La procedura di pulizia del filtro (8) è la seguente:

a) Scollegare il dispositivo, tirare il coperchio posteriore (7) da entrambi gli incavi (16) per rimuoverlo - vedere la figura D. Per rimuoverlo il filtro di evaporazione (8) tirare indietro il fermo del filtro (17), la plastica è flessibile e consentirà di estrarre il filtro di evaporazione (8).

b) Pulire il filtro di evaporazione (8) utilizzando un aspirapolvere. La copertura con rete (7) non deve essere strofinata con le mani per evitare deformazioni della rete.

c) Rimontare il filtro (8) e il coperchio con rete (7).

d) Assicurarsi che il serbatoio dell'acqua (8), il filtro (5) e il coperchio con rete (7) siano riposizionati in posizione corretta prima di riaccendere. Prima del rimessaggio stagionale assicurarsi che tutte le parti siano asciutte eseguendo la modalità ventola per 2 ore o meno per assicurarsi che il filtro (5) sia completamente asciutto.

4. Scaricare l'acqua prima del rimessaggio stagionale rimuovendo il serbatoio dell'acqua (capitolo Funzionamento - punto 2). Utilizzare acqua e sapone neutro per pulire il serbatoio dell'acqua. Quindi asciugare completamente il dispositivo e il serbatoio dell'acqua per evitare danni da umidità.

5. Scaricare l'acqua dai contenitori di plastica (11) prima dello stoccaggio.

6. Coprire il dispositivo con un sacchetto di plastica per proteggerlo dalla polvere e avvolgere il cavo di alimentazione. Conservare il dispositivo in un luogo asciutto e al riparo dalla luce solare diretta.

7. Pulire il dispositivo e il serbatoio dell'acqua prima del prossimo utilizzo.

DECALCIFICAZIONE

1. Eseguire la procedura di decalcificazione secondo le istruzioni dell'agente decalcificante specificato dal produttore.

2. Utilizzare agenti decalcificanti destinati a questo scopo.

3. Eseguire la procedura di decalcificazione almeno ogni 3 mesi.

4. Decalcificare il serbatoio dell'acqua solo a dispositivo spento.

DATI TECNICI:

Alimentazione 220-240V ~50-60 Hz

Potenza: 80 W

Potenza massima: 350 W

Capacità del serbatoio: 2 litri

Consumo di acqua: 230 ml/ora

Batteria: CR2025 (3V)

Rumorosità: 59,4dB

Volume del flusso d'aria: 188,4 m³/h

Dimensioni del prodotto: 18,6 x 25,5 x 62,5 cm



Prendiamoci cura dell'ambiente naturale. I contenitori in cartone dovrebbero essere portati all'apposito punto di raccolta. I sacchi in polietilene (PE) vanno buttati nel contenitore per la plastica. L'apparecchio fuori uso deve essere rottamato presso un centro di raccolta autorizzato, poiché contiene elementi pericolosi che potrebbero costituire una minaccia per l'ambiente. Il dispositivo elettrico deve essere consegnato in modo da limitare il suo riutilizzo. Se l'apparecchio contiene batterie, è necessario rimuoverle e smaltirle separatamente.

ČESKY

BEZPEČNOSTNÍ PODMÍNKY. DŮLEŽITÉ POKYNY K BEZPEČNOSTI POUŽITÍ PROSÍM ČTĚTE POZORNĚ A UCHOVÁVEJTE SI PRO BUDOUCÍ REFERENCI

Záruční podmínky se liší, pokud je zařízení používáno ke komerčním účelům.

1. Před použitím výrobku si prosím pozorně přečtete a vždy dodržujte následující pokyny.

Výrobce neodpovídá za žádné škody způsobené nesprávným použitím.

2. Výrobek je určen pouze k použití uvnitř. Nepoužívejte výrobek k žádnému účelu, který

není kompatibilní s jeho aplikací.

3. Použitelné napětí je 220-240 V, ~ 50 Hz. Z bezpečnostních důvodů není vhodné připojovat více zařízení k jedné elektrické zásuvce.

4. Buďte opatrní při používání kolem dětí. Nenechávejte děti si s výrobkem hrát. Nedovolte dětem nebo lidem, kteří neznají zařízení, používat jej bez dozoru.

5. **VAROVÁNÍ:** Toto zařízení mohou používat děti starší 8 let a osoby se sníženými fyzickými, smyslovými nebo mentálními schopnostmi nebo osoby bez zkušeností nebo znalostí zařízení pouze pod dohledem osoby odpovědné za jejich bezpečnost, nebo pokud byli poučeni o bezpečném používání zařízení a jsou si vědomi nebezpečí spojených s jeho provozem. Děti by si se zařízením neměly hrát. Čištění a údržbu zařízení by neměly provádět děti, pokud jim není více než 8 let a tyto činnosti provádějí pod dohledem.

6. Jakmile produkt použijete, vždy jemně vytáhněte zástrčku ze zásuvky a držte ji rukou. Nikdy netahejte za napájecí kabel !!!

7. Nikdy nenechávejte výrobek připojený ke zdroji napájení bez dozoru. I když je používání na krátkou dobu přerušeno, vypněte jej ze sítě a odpojte napájení.

8. Nikdy neponořujte napájecí kabel, zástrčku ani celé zařízení do vody. Nikdy nevystavujte výrobek atmosférickým podmínkám, jako je přímé sluneční světlo nebo déšť atd. Nikdy nepoužívejte výrobek ve vlhkých podmínkách.

9. Pravidelně kontrolujte stav napájecího kabelu. Pokud je napájecí kabel poškozen, měl by být produkt přeměněn na profesionální servisní místo, kde bude provedena výměna, aby se předešlo nebezpečným situacím.

10. Nikdy nepoužívejte výrobek s poškozeným napájecím kabelem, pokud vám upadl nebo byl poškozen jiným způsobem nebo pokud nefunguje správně. Nepokoušejte se opravit poškozený výrobek sami, protože to může vést k úrazu elektrickým proudem. Poškozené zařízení vždy opravte na profesionálním servisním místě. Všechny opravy mohou provádět pouze autorizovaní servisní pracovníci. Oprava, která byla provedena nesprávně, může uživateli způsobit nebezpečné situace.

11. Nikdy nepokládejte výrobek na horké nebo teplé povrchy nebo do blízkosti kuchyňských spotřebičů, jako je elektrická trouba nebo plynový hořák, nebo do jejich blízkosti.

12. Nikdy nepoužívejte výrobek v blízkosti hořlavín.

13. Nenechávejte kabel viset přes okraj pultu.

14. Neponořujte motorovou jednotku do vody.

15. Pro zajištění dodatečné ochrany je vhodné do elektrického obvodu nainstalovat proudový chránič (RCD) se jmenovitým zbytkovým proudem nepřesahujícím 30 mA. Zeptejte se na to elektrikáře.

16. Nevkládejte prsty ani jiné předměty do mřížky krytu zařízení.

17. Neblokujte vývod.

18. Až budete hotovi, před odložením vypusťte ze zařízení vodu.

19. Pokud zařízení nebudete delší dobu používat, odpojte jej od zdroje napájení.

20. Vybité baterie v dálkovém ovládní vždy vyměňte za nové.

21. Nepohybujte zařízením, pokud je vnitřní nádrž naplněna vodou.

22. Nepokládejte na zařízení žádné předměty.

23. Zařízení lze používat pouze se správně fungující ventilací.

Před prvním použitím

1. Je třeba mít na paměti, že vysoká úroveň vlhkosti může podporovat vývoj biologických organismů v životním prostředí.

2. Nenamočte zařízení ani nenamočte okolí zařízení. Pokud se objeví vlhkost, snižte účinnost funkce zvlhčování.

3. Nenechte nasáknout své materiály, jako jsou koberce, závěsy, ubrusy.

4. Nikdy nenechávejte vodu v nádrži, když zařízení nepoužíváte.

• **VAROVÁNÍ:** Pokud není voda vyměněna a nádrž není řádně čistěna každé 3 dny, mohou se ve vodní nádrži vyvinout mikroorganismy,

kteř mohou být přítomny ve vodě nebo v prostředí, kde je zařízení používáno nebo skladováno, a mohou být vyhozeny do okolí. To může způsobit velmi vážné zdravotní riziko.

• **VAROVÁNÍ:** Každé tři dny vyprázdněte nádržku na vodu a dolijte čistou vodou. Před doplňováním vyčistěte nádrž čerstvou vodou z vodovodu nebo saponáty. Odstraňte usazeniny, usazeniny nebo film, který se vytvořil na bocích nádrže a na vnitřních plochách. Po umytí ořte všechny povrchy do sucha.

5. Při prvním použití zařízení může motor zařízení vydávat zápach, který se rozptýlí do týdne používání. V tomto případě není vyžadována vaše akce.

POPIS PRODUKTU Bezlistý vzduchový chladič Ms7856

- | | |
|--|----------------------|
| 1. Rukojeť | 2. Výstup vzduchu |
| 3. Rukojeť k ručnímu ovládání směru proudění vzduchu nahoru / dolů | 4. Přední kryt |
| 5. Ukazatel hladiny vody | 6. Zadní kryt |
| 7. Zadní kryt se sítí | 8. Odpařovací filtr |
| 9. Nádrž na vodu | 10. Dálkové ovládání |
| 11. Krabice na led | 12. Ovládací panel |
| 13. Zámek vodní nádrže | 14. Zápodka čerpadla |
| 15. Čerpadlo | 16. Zahloubení krytu |
| 17. Zápodka filtru | |

Dálkové ovládání a ovládací panel - obrázek B

- | | |
|------------------------------------|-------------------------------|
| A - tlačítko napájení | B - tlačítko režimu |
| C - tlačítko rychlosti ventilátoru | D - tlačítko časovače |
| E - tlačítko časovače | F - tlačítko mokřého chlazení |

ÚKON

Ke znatelnému snížení teploty výstupního vzduchu dochází po vložení plastových nádob (11), které jsou součástí výrobku, do vodní nádrže (9). Plastové nádoby by měly být předtím několik hodin zmrazeny v mrazničce. Doporučuje se naplnit plastovou nádobu (11) studenou vodou z vodovodu a nepřekračovat maximální hladinu vyznačenou na plastové nádobě. Obsah plastových nádob je zakázán požívat. Drž se dál od dětí.

- Umístěte zařízení na suchý, rovný povrch. Pokud povrch není rovný, zařízení může začít vibrovat a vydávat neobvyklý hluk.
- Otočte do vodorovné polohy zámek nádržky na vodu (13), jak je znázorněno na obrázcích C1 a C2. Poté trochu vytáhněte nádržku na vodu (9) ze zadní části zařízení. Pomocí džbánů nalijte čistou, studenou vodu, dávejte pozor, abyste nepřekročili maximální hladinu vyznačenou na ukazateli hladiny vody (5) na přední straně zařízení. Můžete nalít vodu, aniž byste úplně vytáhli nádržku na vodu. Během plnění a čištění odpojte zařízení od elektrické sítě.
- Chcete-li úplně vyjmout nádrž na vodu, podívejte se na obrázek C3-C6. Nejprve vyjměte čerpadlo (15) uvolněním jedné zápodka čerpadla (14) a vytáhněte nádržku na vodu (8). Nevytahujte čerpadlo, nechte jej připojené k hlavnímu krytu. Když umístíte nádržku na vodu (9) zpět, dávejte pozor, abyste nezmačkali vodní potrubí připojené k čerpadlu.
- Po nalití vody otočte zámek nádržky na vodu (13) do vodorovné polohy. Po nalití vody do vodní nádrže zařízení nenaklánejte. Nevyjímejte nádržku na vodu, pokud je zařízení zapojeno do zásuvky.
- Připojte zástrčku k napájení. Nyní lze k ovládání zařízení použít ovládací panel (12) nebo dálkový ovladač (10) (obrázek B). Zapněte zařízení stisknutím tlačítka napájení (A). Zařízení vypnete opětovným stisknutím tlačítka (A).
- Tlačítko RYCHLOST (C) vám umožňuje změnit rychlost ventilátoru. Lze vybrat následující rychlosti: vysokou, střední a pomalou. Na ovládacím panelu se rozsvítí odpovídající dioda.
- Funkce zvlhčování vzduchu se ovládá tlačítkem COOL (F), snižuje teplotu vzduchu spuštěním vodního čerpadla. Když je v nádrže na vodu POUZE tlačítko, stisknete tlačítko (F), na ovládacím panelu (12) se rozsvítí odpovídající dioda. Navíc je připojena sada dvou plastových nádob (11). Plastové nádoby (11) by měly být naplněny studenou vodou z vodovodu a nepřekračovat maximální úroveň. Poté je vložte na několik hodin do mrazničky. Poté vložte jednu nebo obě nádoby do vodní nádrže (9). Pro foukání vlhkého chladného vzduchu musí být zařízení naplněno vodou. Když je zařízení v provozu, pravidelně kontrolujte hladinu vody, abyste zjistili, zda je třeba přidat vodu. Další stisknutím tlačítka (F) vypnete foukání vlhkého studeného vzduchu.
- Stisknutím funkce oscilace stisknutím tlačítka SWING (E) zajistíte nerovnoměrné rozložení proudu studeného vzduchu doleva a doprava. Na ovládacím panelu (12) se rozsvítí odpovídající dioda.
- Tlačítko TIMER (D) umožňuje naprogramovat dobu provozu s 1hodinovým poklesem od 1 do 8 hodin. Opakovaným stisknutím tohoto tlačítka se rozsvítí kombinace diod na ovládacím panelu (12). Současně značení rozsvícených diod znamená zvolenou dobu, po kterou bude zařízení fungovat, než se automaticky vypne.
- Tlačítko MODE (B) umožňuje přepínat mezi jedním ze 3 režimů foukání: normální vítr, přirozený vítr a režim spánku. Dioda zvoleného režimu se rozsvítí na ovládacím panelu (12).
 - Normální režim: umožňuje uživateli ručně nastavit rychlost ventilátoru mezi vysokou, střední a nízkou.
 - Přirozený režim: napodobuje přirozené působení větru opakováním sekvence otáček ventilátoru:
 - * Když zvolíte nízké otáčky ventilátoru, zařízení se vypne a opakuje se pod cyklem: nízké 4 sekundy + zastavení 2 sekundy + střední 4 sekundy + nízké 6 sekund + střední 4 sekundy + zastavení 2 sekundy + vysoké 2 sekundy + nízké 6 sekund + střední 4 sekundy + nízké 4 sekundy + střední 2 sekundy + střední 4 sekundy + nízké 4 sekundy + zastavení 2 sekundy + vysoké 2 sekundy + nízké 4 sekundy + střední 2 sekundy.
 - * Když zvolíte střední rychlost ventilátoru, zařízení se vypne a opakuje se pod cyklem: nízké 4 sekundy + střední 6 sekund + nízké 2 sekundy + vysoké 2 sekundy + zastavení 2 sekundy + střední 4 sekundy + nízké 4 sekundy + střední 4 sekundy + nízké 2 sekundy + prostřední 4 sekundy + nízké 4 sekundy + vysoké 2 sekundy + zastavení 2 sekundy + střední 4 sekundy + nízké 4 sekundy + vysoké 4 sekundy + zastavení 2 sekundy + střední 4 sekundy + vysoké 4 sekundy.
 - * Když zvolíte vysokou rychlost ventilátoru, zařízení se vypne a opakuje se pod cyklem: vysoké 4 sekundy + zastavení 2 sekundy + střední 4 sekundy + vysoké 4 sekundy + nízké 4 sekundy + vysoké 2 sekundy + střední 4 sekundy + vysoké 4 sekundy + zastavení 2 sekundy + střední 4 sekundy + vysoké 6 sekund + nízké 4 sekundy + vysoké 4 sekundy + střední 4 sekundy + nízké 4 sekundy + vysoké 4 sekundy + střední 4 sekundy.
 - Režim spánku: byl navržen tak, aby k usínání využíval efekty přirozeného režimu. Postupně bude snižovat rychlost ventilátoru v

30minutových krocích:

* Když zvolíte nízké otáčky ventilátoru: ventilátor poběží stejně jako přirozený režim nízké rychlosti.

* Když zvolíte střední rychlost ventilátoru: ventilátor bude foukat 30 minut při přirozeném režimu střední rychlosti a poté přepne na přirozený režim s nízkou rychlostí.

* Když zvolíte vysokou rychlost ventilátoru: ventilátor bude foukat 30 minut při vysokorychlostním přirozeném režimu, poté se přepne na 30 minut při přirozeném režimu střední rychlosti a poté se přepne na nízkou rychlost přirozeného režimu.

UPOZORNĚNÍ: Pokud dáváte přednost konstantní rychlosti ventilátoru během spánku, doporučujeme nastavit ventilátor na normální režim a zvolit nízkou rychlost. Pomocí funkce časovače nastavte, aby se ventilátor vypnul po uplynutí určité doby (např. 1 hodinu) poté, co jdete spát).

10. Všechna tlačítka na dálkovém ovládní (10) mají stejné funkce jako tlačítka na ovládacím panelu (12). Mezi zařízení a dálkový ovladač neumísťte žádné předměty, aby byla zajištěna správná komunikace mezi dálkovým ovladačem a zařízením. Chcete-li zahájit provoz dálkového ovladače (10), vytáhněte instalační fólii. Chcete-li vyměnit baterii, zatlačte na uvolňovací západku na pouzdru dálkového ovladače, jak je znázorněno na obrázku E. Vyměňte za baterii stejného typu, dejte pozor, abyste ji vrátili zpět na správný pól polarizace, znovu sestavte baterii v opačném pořadí.

ČIŠTĚNÍ A ÚDRŽBA

Než začnete čistit nebo přidávat/ vypouštět vodu nebo pohyb zařízení, vždy odpojte zařízení ze zásuvky.

1. Po dokončení operace, před delším skladováním zařízení, vyprázdněte nádržku na vodu a vyčistěte ji i celé zařízení.

2. Čistěte měkkým, suchým hadříkem. Nepoužívejte chemická rozpouštědla, protože mohou způsobit trvalé poškození nebo deformaci zařízení.

3. Pokud zařízení nebudete používat tři nebo více měsíců, vyjměte baterie z dálkového ovladače.

4. Po dlouhém provozu může být kryt se sítí (7) a odpařovacím filtrem (8) zanesen prachem, což výrazně ovlivní výkon chlazení zařízení.

Pokud se voda dlouho nevyvěňuje, může dojít k plisni. Doporučujeme čistit kryt sítkou (7) a filtrem (8) jednou za 10 dní. Postup čištění filtru (8) je následující:

a) Odpojte zařízení, zatáhněte za zadní kryt (7) za obě vybrání (16) a sejměte jej - podívejte se na obrázek D. Chcete-li odstranit odpařovací filtr (8), zatáhněte zpět západku filtru (17), plast je pružný a vám umožní vyjmout odpařovací filtr (8).

b) Očistěte odpařovací filtr (8) pomocí vysavače. Kryt se sítí (7) by neměl být třen rukama, aby nedošlo k deformaci sítě.

c) Vložte filtr (8) a kryt se sítí (7) zpět na místo.

d) Před opětovným zapnutím zkontrolujte, zda jsou nádržka na vodu (8), filtr (5) a kryt se sítí (7) vyměněny ve správné poloze. Před sezónním skladováním se ujistěte, že jsou všechny části suché, a to spuštěním režimu ventilátoru po dobu 2 hodin nebo kratší, abyste se ujistili, že je filtr (5) zcela suchý.

4. Před sezónním skladováním vypusťte vodu vyjmutím nádrže na vodu (kapitola Provoz - bod 2). K čištění nádržky na vodu použijte jemné mýdlo a vodu. Poté zcela vysušte zařízení a nádrž na vodu, aby nedošlo k poškození vlhkostí.

5. Před uskladněním vypusťte vodu z plastových nádob (11).

6. Zakryjte zařízení plastovým sáčkem, aby byl chráněn před prachem, a naviňte napájecí kabel. Zařízení skladujte na suchém místě mimo přímé sluneční světlo.

7. Před dalším použitím vyčistěte zařízení a nádrž na vodu.

ODSTRANĚNÍ

1. Proveďte odvápnovací postup v souladu s pokyny odvápnovacího prostředku specifikovanými výrobcem.

2. Použijte odvápnovací prostředky k tomu určené.

3. Odstraňování vodního kamene provádějte nejméně každé 3 měsíce.

4. Odvápněte nádržku na vodu pouze tehdy, když je zařízení vypnuté.

TECHNICKÁ DATA:

Napájení 220-240V ~ 50-60 Hz

Výkon: 80 W

Maximální výkon: 350 W

Objem nádrže: 2 litry

Spotřeba vody: 230 ml / hod

Baterie: CR2025 (3V)

Hlučnost: 59,4 dB

Průtok vzduchu: 188,4 m³/h

Rozměry výrobku: 18,6 x 25,5 x 62,5 cm



Ochrana životního prostředí. Kartón odevzdejte do sběru. Polyetylénové sáčky (PE) vyhazujte do kontejneru na plasty. Vysloužilý přístroj odevzdejte do příslušného sběrného dvoru, protože některé části zařízení mohou představovat pro životní prostředí nebezpečí. Elektrický přístroj odevzdejte tak, aby se omezilo jeho opětovné používání. Pokud jsou v přístroji baterie, vyjměte je a odevzdejte do příslušného sběrného místa zvlášť. Přístroj nevyhazujte do popelnic ani kontejneru na směsný odpad!!

NEDERLANDS

VEILIGHEIDSVORWAARDEN. BELANGRIJKE INSTRUCTIES OVER VEILIGHEID VAN GEBRUIK

LEES ZORGVULDIG EN BEWAAR VOOR TOEKOMSTIGE REFERENTIE!

De garantievoorwaarden zijn anders als het apparaat voor commerciële doeleinden wordt gebruikt.

1. Voor gebruik van het product, lees aandachtig en volg altijd de volgende instructies. De fabrikant is niet verantwoordelijk voor eventuele schade als gevolg van misbruik.

2. Het product mag alleen binnenshuis worden gebruikt. Gebruik het product niet voor enig doel dat niet compatibel is met de toepassing ervan.
3. De toepasselijke spanning is 220-240V, ~50Hz. Om veiligheidsredenen is het niet gepast om meerdere apparaten op één stopcontact aan te sluiten.
4. Wees voorzichtig bij het gebruik in de buurt van kinderen. Laat kinderen niet met het product spelen. Laat kinderen of mensen die het apparaat niet kennen het apparaat niet zonder toezicht gebruiken.
5. **WAARSCHUWING:** Dit apparaat mag alleen worden gebruikt door kinderen ouder dan 8 jaar en personen met verminderde fysieke, zintuiglijke of mentale vermogens, of personen zonder ervaring of kennis van het apparaat, alleen onder toezicht van een persoon die verantwoordelijk is voor hun veiligheid, of als ze zijn geïnstrueerd over het veilige gebruik van het apparaat en op de hoogte zijn van de gevaren die aan het gebruik ervan zijn verbonden. Kinderen mogen niet met het apparaat spelen. Reiniging en onderhoud van het apparaat mogen niet worden uitgevoerd door kinderen, tenzij ze ouder zijn dan 8 jaar en deze activiteiten onder toezicht worden uitgevoerd.
6. Als u klaar bent met het gebruik van het product, denk er dan altijd aan om de stekker voorzichtig uit het stopcontact te halen terwijl u het stopcontact met uw hand vasthoudt. Trek nooit aan de stroomkabel!!!
7. Laat het product nooit zonder toezicht aangesloten op de stroombron. Zelfs als het gebruik voor een korte tijd wordt onderbroken, schakel het dan uit van het netwerk, haal de stekker uit het stopcontact.
8. Steek nooit de stroomkabel, de stekker of het hele apparaat in het water. Stel het product nooit bloot aan atmosferische omstandigheden zoals direct zonlicht of regen, enz. Gebruik het product nooit in vochtige omstandigheden.
9. Controleer regelmatig de staat van de stroomkabel. Als de voedingskabel beschadigd is, moet het product naar een professionele servicelocatie worden gebracht om te worden vervangen om gevaarlijke situaties te voorkomen.
10. Gebruik het product nooit met een beschadigd netsnoer of als het is gevallen of op een andere manier is beschadigd of als het niet goed werkt. Probeer het defecte product niet zelf te repareren, omdat dit tot een elektrische schok kan leiden. Breng het beschadigde apparaat altijd naar een professionele servicelocatie om het te repareren. Alle reparaties kunnen alleen worden uitgevoerd door geautoriseerde serviceprofessionals. De foutief uitgevoerde reparatie kan voor de gebruiker gevaarlijke situaties opleveren.
11. Plaats het product nooit op of in de buurt van hete of warme oppervlakken of de keukenapparatuur zoals de elektrische oven of gasbrander.
12. Gebruik het product nooit in de buurt van brandbare stoffen.
13. Laat het snoer niet over de rand van het aanrecht hangen.
14. Dompel de motoreenheid niet onder in water.
15. Om extra bescherming te bieden, is het raadzaam om een aardlekschakelaar (RCD) in het elektrische circuit te installeren met een nominale aardlekstroom van niet meer dan 30 mA. Vraag hiervoor een elektricien.
16. Steek geen vingers of andere voorwerpen in het rooster van de behuizing van het apparaat.
17. Blokkeer de uitlaat niet.
18. Als u klaar bent, laat u het water uit het apparaat lopen voordat u het opbergt.
19. Als het apparaat lange tijd niet wordt gebruikt, trek dan de stekker uit het stopcontact.
20. Gebruik altijd nieuwe batterijen om de lege batterijen in de afstandsbediening te vervangen.
21. Verplaats het apparaat niet wanneer de binnentank met water is gevuld.
22. Plaats geen voorwerpen op het apparaat.
23. Het apparaat kan alleen worden gebruikt met goed werkende ventilatie.

Voor het eerste gebruik

1. Er moet aan worden herinnerd dat een hoge luchtvochtigheid de ontwikkeling van biologische organismen in het milieu kan bevorderen.
2. Maak het apparaat niet nat en maak het gebied rond het apparaat niet nat. Als er vocht verschijnt, verlaag dan de efficiëntie van de bevochtigingsfunctie.
3. Zorg ervoor dat absorberende materialen zoals tapijten, gordijnen, tafelkleden niet nat worden.
4. Laat nooit water in de tank staan als het apparaat niet in gebruik is.
 - WAARSCHUWING: Wanneer het water niet wordt verversd en de tank niet om de 3 dagen goed wordt schoongemaakt, kunnen micro-organismen die aanwezig kunnen zijn in het water of in de omgeving waar het apparaat wordt gebruikt of opgeslagen zich ontwikkelen in de watertank en worden uitgeblazen om de omgeving. Dit kan een zeer ernstig gezondheidsrisico opleveren.
 - WAARSCHUWING: Leeg de watertank om de drie dagen en vul deze bij met schoon water. Reinig de tank voor het vullen met vers leidingwater of met reinigingsmiddelen. Verwijder eventuele kalkaanslag, afzettingen of film die zich aan de zijkanten van de tank en aan de binnenkant hebben gevormd. Veeg na het wassen alle oppervlakken droog.
5. Wanneer het apparaat voor de eerste keer wordt gebruikt, kan de motor van het apparaat een geur produceren die binnen een week na gebruik zal verdwijnen. In dit geval is uw actie niet vereist.

PRODUCTBESCHRIJVING Bladloze luchtkoeler MS7856

- | | |
|--|-----------------------|
| 1. Handvat | 2. Luchtuitlaat |
| 3. Handgreep voor handmatige omhoog / omlaag luchtstroomrichtingregeling | 4. Voorste behuizing |
| 5. Waterpeilmeter | 6. Achterhuis |
| 7. Achterklep met net | 8. Verdampingsfilter |
| 9. Watertank | 10. Afstandsbediening |
| 11. IJsboxen | 12. Bedieningspaneel |
| 13. Watertankvergrendeling | 14. Pompvergrendeling |
| 15. Pomp | 16. Uitsparing deksel |
| 17. Filtervergrendelingen | |

Afstandsbediening & Controlepaneel – afbeelding B

- | | |
|-----------------------------|------------------------|
| A – aan/uit-knop | B – modusknop |
| C – ventilatorsnelheidsknop | D – timerknop |
| E – timer knop | F – natte koeling knop |

OPERATIE

Een merkbare verlaging van de temperatuur van de uitlaatlucht treedt op nadat de plastic containers (11) die bij het product zijn meegeleverd, in de watertank (9) zijn geplaatst. De plastic bakjes moeten eerste enkele uren in de vriezer worden ingevroren. Het wordt aanbevolen om de plastic container (11) te vullen met koud kraanwater en het MAX-niveau dat op de plastic container staat aangegeven niet te overschrijden. De inhoud van de plastic container is verboden om te eten. Buiten bereik van kinderen houden.

1. Plaats het apparaat op een droge, vlakke ondergrond. Als het oppervlak niet vlak is, kan het apparaat gaan trillen en abnormaal geluid krijgen.
2. Draai de watertankvergrendeling (13) naar de vlakke positie zoals getoond op afbeeldingen C1 en C2. Trek vervolgens het waterreservoir (9) een klein stukje uit de achterkant van het apparaat. Gebruik de kan om helder, koud water te schenken, zorg ervoor dat u het maximale niveau dat is aangegeven op de waterniveaumeter (5) aan de voorkant van het apparaat niet overschrijdt. U kunt water gieten zonder het waterreservoir volledig uit te trekken. Koppel het apparaat tijdens het vullen en reinigen los van het elektriciteitsnet.
3. Om het waterreservoir volledig te verwijderen, kijk naar afbeelding C3-C6. Verwijder eerst de pomp (15) door een pompvergrendeling (14) los te maken en het waterreservoir (8) eruit te trekken. Trek de pomp er niet uit, maar laat hem verbonden blijven met de hoofdbehuizing. Let er bij het terugplaatsen van het waterreservoir (9) op dat u de waterleidingen die op de pomp zijn aangesloten niet samendrukt.
4. Draai na het gieten van water de watertankvergrendeling (13) in horizontale positie. Kantel het apparaat niet nadat u het water in het waterreservoir hebt gegoten. Verwijder het waterreservoir niet terwijl het apparaat in het stopcontact zit.
5. Sluit de stekker aan op de voeding. Nu kan het bedieningspaneel (12) of de afstandsbediening (10) worden gebruikt om het apparaat te bedienen (afbeelding B). Schakel het apparaat in door op de aan/uit-knop (A) te drukken. Druk nogmaals op de knop (A) om het apparaat uit te schakelen.
6. Met de knop SPEED (C) kunt u de snelheid van de ventilator wijzigen. De volgende snelheden kunnen worden geselecteerd: hoog, midden en langzaam. De bijbehorende diode op het bedieningspaneel gaat branden.
7. De luchtbevochtigingsfunctie wordt bediend met de COOL-knop (F), het verlaagt de temperatuur van de lucht door de waterpomp te laten draaien. Druk op de knop (F) als er ALLEEN water in de watertank zit, de corresponderende diode zal oplichten op het bedieningspaneel (12). Daarnaast is een set van twee kunststof bakjes (11) bevestigd. Plastic containers (11) moeten worden gevuld met koud kraanwater en mogen het maximale niveau niet overschrijden. Leg ze vervolgens enkele uren in de vriezer. Plaats vervolgens een of beide containers in het waterreservoir (9). Om de natte koude lucht te blazen, moet het apparaat worden gevuld met water. Als het apparaat in werking is, controleer dan regelmatig het waterpeil om te zien of er water moet worden bijgevoerd. Druk nogmaals op knop (F) om het blazen van natte koude lucht uit te schakelen.
8. Door de oscillatiefunctie in te drukken door op de SWING-knop (E) te drukken, wordt een gelijkmatige verdeling van de koude luchtstroom in linker- en rechterrichting verkregen. De bijbehorende diode gaat branden op het bedieningspaneel (12).
9. Met de TIMER-knop (D) kan de bedrijfstijd worden geprogrammeerd met stappen van 1 uur van 1 tot 8 uur. Door herhaaldelijk op deze knop te drukken, zal een combinatie van diodes op het bedieningspaneel (12) oplichten. De som van de brandende diodes markering betekent de gekozen periode dat het apparaat zal werken voordat het apparaat automatisch wordt uitgeschakeld.
10. Met de MODE-knop (B) kunt u wisselen tussen een van de 3 blaastanden:
 - a) Normale wind, natuurlijke wind en slaapprogramma. De gekozen modusdiode gaat branden op het bedieningspaneel (12).
 - b) Normale modus: hiërmeek kan de gebruiker de ventilatorsnelheid handmatig aanpassen tussen hoog, gemiddeld en laag.
 - c) Natuurlijke modus: boost de natuurlijke windwerking na door de reeks ventilatorsnelheden te herhalen:
- * Wanneer de lage ventilatorsnelheid wordt gekozen, blaast het apparaat uit en herhaalt het onderstaande cyclus: laag 4 seconden + stop 2 seconden + midden 4 seconden + laag 6 seconden + midden 4 seconden + stop 2 seconden + hoog 2 seconden + laag 6 seconden + midden 4 seconden + laag 4 seconden + midden 2 seconden + laag 4 seconden + midden 4 seconden + laag 4 seconden + stop 2 seconden + hoog 2 seconden + laag 4 seconden + midden 2 seconden.

* Wanneer de middelste ventilatorsnelheid wordt gekozen, blaast het apparaat uit en herhaalt de onderstaande cyclus: laag 4 seconden + midden 6 seconden + laag 2 seconden + hoog 2 seconden + stop 2 seconden + midden 4 seconden + laag 4 seconden + midden 4 seconden + laag 2 seconden + midden 4 seconden + hoog 2 seconden + stop 2 seconden + midden 4 seconden + laag 4 seconden + hoog 4 seconden + stop 2 seconden + midden 4 seconden + hoog 4 seconden.

* Wanneer de hoge ventilatorsnelheid wordt gekozen, blaast het apparaat uit en herhaalt het onderstaande cyclus: hoog 4 seconden + stop 2 seconden + midden 4 seconden + hoog 4 seconden + laag 4 seconden + hoog 2 seconden + midden 4 seconden + hoog 4 seconden + stop 2 seconden + midden 4 seconden + laag 4 seconden + hoog 4 seconden + midden 4 seconden.

c) Slaapmodus: is ontworpen om de effecten van de natuurlijke modus te gebruiken om in slaap te vallen. Het zal de snelheid van de ventilator geleidelijk verlagen in stappen van 30 minuten:

* Wanneer de lage ventilatorsnelheid wordt gekozen: de ventilator zal hetzelfde draaien als de natuurlijke modus met lage snelheid.

* Wanneer de middelste ventilatorsnelheid wordt gekozen: de ventilator blaast 30 minuten op de natuurlijke modus op gemiddelde snelheid en schakelt vervolgens over naar de natuurlijke modus met lage snelheid.

* Bij het kiezen van de hoge ventilatorsnelheid: de ventilator blaast 30 minuten op hoge snelheid natuurlijke modus, vervolgens schakelt hij gedurende 30 minuten over op gemiddelde snelheid natuurlijke modus, dan zal hij overschakelen naar lage snelheid natuurlijke modus.

OPMERKING: Als u de voorkeur geeft aan een constante ventilatorsnelheid tijdens het slapen, raden we aan om de ventilator in de normale modus te zetten en een lage snelheid te selecteren. Gebruik de timerfunctie om de ventilator zo in te stellen dat deze na een bepaalde tijd uitschakelt (bijv. 1 uur nadat u naar bed gaat).

10. Alle knoppen op de afstandsbediening (10) hebben dezelfde functies als de knoppen op het bedieningspaneel (12). Plaats geen voorwerpen tussen het apparaat en de afstandsbediening om een goede communicatie tussen de afstandsbediening en het apparaat te garanderen. Trek de installatiefilm uit om de bediening van de afstandsbediening (10) te starten. Om de batterij te vervangen, drukt u op het ontrendellipje op de behuizing van de afstandsbediening, zoals weergegeven in afbeelding E. Vervang door een batterij van hetzelfde type, let erop dat u deze terugplaatst in de juiste polarisatiepool en monteer de batterij in omgekeerde volgorde.

REINIGING EN ONDERHOUD

Haal altijd de stekker uit het stopcontact voordat u begint met het reinigen of toevoegen/aftappen van water of het verplaatsen van het apparaat.

1. Maak na beëindiging van het gebruik en voordat u het apparaat voor langere tijd opbergt, het waterreservoir leeg en reinig het en het hele apparaat.

2. Reinig met een zachte, droge doek. Gebruik geen chemische oplosmiddelen omdat deze permanente schade of vervorming van het apparaat kunnen veroorzaken.

3. Als het apparaat drie maanden of langer niet wordt gebruikt, haalt u de batterijen uit de afstandsbediening.

4. Na langdurig gebruik kan het deksel met net (7) en verdampingsfilter (8) verstopt raken met stof, wat de koelprestaties van het apparaat sterk zal beïnvloeden. Als het water lange tijd niet wordt uitgewisseld, kan er schimmel zijn. We raden aan om de hoes om de 10 dagen schoon te maken met net (7) en filter (8). De procedure voor het reinigen van filter (8) is als volgt:

a) Koppel het apparaat los, trek aan de achterkant (7) bij beide uitsparingen (16) om het te verwijderen – kijk naar afbeelding D. Om het verdampingsfilter (8) te verwijderen, trek de filtervergrendeling (17), het plastic is flexibel en kunt u het verdampingsfilter (8) verwijderen.

b) Reinig het verdampingsfilter (8) met een stofzuiger. De afdekking met net (7) mag niet met de handen worden ingewreven om vervorming van het net te voorkomen.

c) Plaats het filter (8) en het deksel met net (7) terug op zijn plaats.

d) Zorg ervoor dat het waterreservoir (8), het filter (5) en het deksel met net (7) in de juiste positie worden teruggeplaatst voordat u het weer inschakelt. Zorg ervoor dat vóór de seizoensopslag alle onderdelen droog zijn door de ventilatorstand 2 uur of korter te laten draaien om er zeker van te zijn dat het filter (5) volledig droog is.

4. Tap het water af voor de seizoensopslag door de watertank te verwijderen (hoofdstuk Bediening - punt 2). Gebruik milde zeep en water om het waterreservoir schoon te maken. Droog het apparaat en het waterreservoir vervolgens volledig af om vocht schade te voorkomen.

5. Laat het water uit de plastic containers (11) lopen voordat u ze opbergt.

6. Bedek het apparaat met een plastic zak om het tegen stof te beschermen en rol het netsnoer op. Bewaar het apparaat op een droge plaats buiten direct zonlicht.

7. Reinig het apparaat en het waterreservoir voor het volgende gebruik.

ONTKALKING

1. Voer de ontkalkingsprocedure uit volgens de instructies van het door de fabrikant opgegeven ontkalkingsmiddel.

2. Gebruik hiervoor bestemde ontkalkingsmiddelen.

3. Voer de ontkalkingsprocedure minimaal om de 3 maanden uit.

4. Ontkalk het waterreservoir alleen als het apparaat is uitgeschakeld.

TECHNISCHE DATA:

Voeding 220-240V ~50-60 Hz

Vermogen: 80 W

Maximaal vermogen: 350 W

Tankinhoud: 2 liter

Waterverbruik: 230 ml / uur

Batterij: CR2025 (3V)

Geluidsniveau: 59,4dB

Luchtstroomvolume: 188,4m³/h

Productafmetingen: 18,6 x 25,5 x 62,5 cm



We geven om het milieu. We vragen u om de kartonnen verpakkingen te storten bij het oud papier. Polyethyleen zakken (PE) storten in de container voor plastic. Versleten apparatuur afgeven bij het juiste verzamelpunt, als in het apparaat gevaarlijke elementen zitten kan dat een bedreiging zijn voor het milieu. Elektrisch apparaat moet worden gerecycleerd om het hergebruik te verminderen. Als in het apparaat batterijen zitten, horen die verwijderd te worden en apart af te worden gegeven bij het juiste verzamelpunt.

ΣΥΝΘΗΚΕΣ ΑΣΦΑΛΕΙΑΣ. ΣΗΜΑΝΤΙΚΕΣ ΟΔΗΓΙΕΣ ΓΙΑ ΤΗΝ ΑΣΦΑΛΕΙΑ ΤΗΣ ΧΡΗΣΗΣ ΠΑΡΑΚΑΛΩ ΔΙΑΒΑΣΤΕ ΠΡΟΣΕΚΤΙΚΑ ΚΑΙ ΚΡΑΤΗΣΤΕ ΓΙΑ ΜΕΛΛΟΝΤΙΚΗ ΑΝΑΦΟΡΑ

Οι όροι εγγύησης είναι διαφορετικοί, εάν η συσκευή χρησιμοποιείται για εμπορικούς σκοπούς.

1. Πριν χρησιμοποιήσετε το προϊόν, διαβάστε προσεκτικά και συμμορφωθείτε πάντα με τις ακόλουθες οδηγίες. Ο κατασκευαστής δεν ευθύνεται για τυχόν ζημιές που οφείλονται σε κακή χρήση.
2. Το προϊόν πρέπει να χρησιμοποιείται μόνο σε εσωτερικούς χώρους. Μη χρησιμοποιείτε το προϊόν για οποιονδήποτε σκοπό που δεν είναι συμβατός με την εφαρμογή του.
3. Η ισχύουσα τάση είναι 220-240V, ~ 50Hz. Για λόγους ασφαλείας, δεν ενδείκνυται η σύνδεση πολλαπλών συσκευών σε μία πρίζα.
4. Να είστε προσεκτικοί όταν χρησιμοποιείτε παιδιά. Μην αφήνετε τα παιδιά να παίζουν με το προϊόν. Μην αφήνετε παιδιά ή άτομα που δεν γνωρίζουν τη συσκευή να τη χρησιμοποιούν χωρίς επίβλεψη.
5. ΠΡΟΕΙΔΟΠΟΙΗΣΗ: Αυτή η συσκευή μπορεί να χρησιμοποιηθεί από παιδιά άνω των 8 ετών και άτομα με μειωμένες σωματικές, αισθητηριακές ή διανοητικές ικανότητες, ή άτομα χωρίς εμπειρία ή γνώση της συσκευής, μόνο υπό την επίβλεψη ατόμου υπεύθυνου για την ασφαλεία τους, ή εάν έχουν λάβει οδηγίες για την ασφαλή χρήση της συσκευής και γνωρίζουν τους κινδύνους που σχετίζονται με τη λειτουργία της. Τα παιδιά δεν πρέπει να παίζουν με τη συσκευή. Ο καθαρισμός και η συντήρηση της συσκευής δεν πρέπει να πραγματοποιούνται από παιδιά, εκτός εάν είναι άνω των 8 ετών και αυτές οι δραστηριότητες πραγματοποιούνται υπό επίβλεψη.
6. Αφού τελειώσετε με τη χρήση του προϊόντος, να θυμάστε πάντα να αφαιρείτε απαλά το φις από την πρίζα κρατώντας την πρίζα με το χέρι σας. Μην τραβάτε ποτέ το καλώδιο τροφοδοσίας !!!
7. Μην αφήνετε ποτέ το προϊόν συνδεδεμένο στην πηγή τροφοδοσίας χωρίς επίβλεψη. Ακόμα και όταν διακοπεί η χρήση για μικρό χρονικό διάστημα, απενεργοποιήστε το από το δίκτυο, αποσυνδέστε το ρευμα.
8. Μην βάζετε ποτέ το καλώδιο τροφοδοσίας, το φις ή ολόκληρη τη συσκευή στο νερό. Ποτέ μην εκθέτετε το προϊόν σε ατμοσφαιρικές συνθήκες, όπως άμεσο ηλιακό φως ή βροχή κλπ. Ποτέ μην χρησιμοποιείτε το προϊόν σε υγρές συνθήκες.
9. Ελέγχετε περιοδικά την κατάσταση του καλωδίου τροφοδοσίας. Εάν το καλώδιο τροφοδοσίας έχει υποστεί ζημιά, το προϊόν πρέπει να μετατραπεί σε επαγγελματικό κέντρο σέρβις για αντικατάσταση, προκειμένου να αποφευχθούν επικίνδυνες καταστάσεις.
10. Ποτέ μην χρησιμοποιείτε το προϊόν με χαλασμένο καλώδιο τροφοδοσίας ή εάν έχει πέσει ή χαλάσει με οποιονδήποτε άλλο τρόπο ή εάν δεν λειτουργεί σωστά. Μην προσπαθήσετε να επισκευάσετε μόνοι σας το ελαττωματικό προϊόν γιατί μπορεί να οδηγήσει σε ηλεκτροπληξία. Πάντα να γυρίζετε τη χαλασμένη συσκευή σε επαγγελματική τοποθεσία σέρβις για να την επισκευάσετε. Όλες οι επισκευές μπορούν να γίνουν μόνο από εξουσιοδοτημένους επαγγελματίες σέρβις. Η επισκευή που έγινε λάθος μπορεί να προκαλέσει επικίνδυνες καταστάσεις για τον χρήστη.
11. Ποτέ μην τοποθετείτε το προϊόν πάνω ή κοντά στις ζεστές ή ζεστές επιφάνειες ή στις συσκευές κουζίνας, όπως ο ηλεκτρικός φούρνος ή ο καυστήρας αερίου.
12. Ποτέ μην χρησιμοποιείτε το προϊόν κοντά σε εύφλεκτα.
13. Μην αφήνετε το καλώδιο να κρέμεται από την άκρη του πάγκου.
14. Μην βυθίζετε τη μονάδα κινητήρα στο νερό.
15. Για την παροχή πρόσθετης προστασίας, είναι σκόπιμο να εγκαταστήσετε μια συσκευή υπολειπόμενου ρευματος (RCD) στο ηλεκτρικό κύκλωμα με ονομαστικό υπολειμματικό ρεύμα που δεν υπερβαίνει τα 30mA. Ρωτήστε έναν ηλεκτρολόγο για αυτό.
16. Μην εισάγετε δάχτυλα ή άλλα αντικείμενα στη μάσκα του περιβλήματος της συσκευής.

17. Μην αποκλείετε την πρίζα.

18. Όταν τελειώσετε, πριν το τοποθετήσετε, αποστραγγίστε το νερό από τη συσκευή.

19. Εάν η συσκευή δεν χρησιμοποιείται για μεγάλο χρονικό διάστημα, αποσυνδέστε την από την πηγή τροφοδοσίας.

20. Χρησιμοποιείτε πάντα νέες μπαταρίες για να αντικαταστήσετε τις αποστραγγισμένες μπαταρίες στο τηλεχειριστήριο.

21. Μην μετακινείτε τη συσκευή όταν η εσωτερική δεξαμενή είναι γεμάτη με νερό.

22. Μην τοποθετείτε αντικείμενα στη συσκευή.

23. Η συσκευή μπορεί να χρησιμοποιηθεί μόνο με σωστό εξαρτισμό.

Πριν από την πρώτη χρήση

1. Πρέπει να θυμάστε ότι ένα υψηλό επίπεδο υγρασίας μπορεί να ευνοήσει την ανάπτυξη βιολογικών οργανισμών στο περιβάλλον.

2. Μην βρέχετε τη συσκευή και μην βρέχετε την περιοχή γύρω από τη συσκευή. Εάν εμφανιστεί υγρασία, μειώστε την απόδοση της λειτουργίας υγραντήρα.

3. Μην αφήνετε απορροφητικά υλικά όπως χαλιά, κουρτίνες, τραπεζομάντλα να βραχούν.

4. Ποτέ μην αφήνετε νερό στη δεξαμενή όταν η συσκευή δεν χρησιμοποιείται.

• ΠΡΟΕΙΔΟΠΟΙΗΣΗ: Όταν το νερό δεν αντικαθίσταται και η δεξαμενή δεν καθαρίζεται σωστά κάθε 3 ημέρες, μικροοργανισμοί που μπορεί να υπάρχουν στο νερό ή στο περιβάλλον όπου χρησιμοποιείται η συσκευή μπορεί να αναπτυχθούν στη δεξαμενή νερού και να διουκθούν το περιβάλλον Αυτό μπορεί να προκαλέσει πολύ σοβαρό κίνδυνο για την υγεία.

• ΠΡΟΕΙΔΟΠΟΙΗΣΗ: Κάθε τρεις ημέρες, αδειάζετε τη δεξαμενή νερού και συμπληρώνετε με καθαρό νερό. Πριν την επαναπλήρωση, καθαρίστε τη δεξαμενή με φρέσκο νερό βρύσης ή χρησιμοποιώντας απορρυπαντικά. Αφαιρέστε κάθε ζυγαριά, αποθέσεις ή μεμβράνη που έχει σχηματιστεί στις πλευρές της δεξαμενής και στις εσωτερικές επιφάνειες. Μετά το πλύσιμο, σκουπίστε όλες τις επιφάνειες.

5. Όταν η συσκευή χρησιμοποιείται για πρώτη φορά, ο κινητήρας της συσκευής μπορεί να παράγει μια οσμή που θα διαλυθεί μέσα σε μια εβδομάδα χρήσης. Σε αυτήν την περίπτωση δεν απαιτείται η ενέργειά σας.

ΠΕΡΙΓΡΑΦΗ ΠΡΟΔΟΝΤΟΣ Βλαύκτης αέρα χωρίς λεπίδα MS7856

1. Λαβή

3. Λαβή για χειροκίνητο έλεγχο κατεύθυνσης ροής αέρα πάνω / κάτω

5. Μετροπής στάθμης νερού

7. Οπισθόφυλλο με δίχτυ

9. Δεξαμενή νερού

11. Κιβώτια πάγου

13. Κλειδίωμα δεξαμενής νερού

15. Αντλία

17. Φίλτρο μάνδαλα

2. Έξοδος αέρα

4. Μηροσπινίδο περιβλήμα

6. Πίσω περιβλήμα

8. Φίλτρο εξάτμισης

10. Τηλεχειριστήριο

12. Πίνακας ελέγχου

14. Μάνδαλο αντλίας

16. Εσοχή καλύμματος

Τηλεχειριστήριο & πίνακας ελέγχου - εικόνα Β

A - κουμπί λειτουργίας

C - κουμπί ταχύτητας ανεμιστήρα

Κουμπί ηλεκτρονικού χρονοδιακόπτη

B - κουμπί λειτουργίας

D - κουμπί χρονοδιακόπτη

F - κουμπί υγρής ψύξης

ΛΕΙΤΟΥΡΓΙΑ

Μια αισθητή μείωση της θερμοκρασίας του αέρα εξόδου συμβαίνει αφού τοποθετήσετε στη δεξαμενή νερού (9) τα πλαστικά δοχεία (11) που περιλαμβάνονται στο προϊόν. Τα πλαστικά δοχεία πρέπει να καταψυχθούν προηγουμένως στην κατάψυξη για λίγες ώρες.

Συνιστάται να γεμίσετε το πλαστικό δοχείο (11) με κρύο νερό βρύσης και να μην υπερβαίνει το επίπεδο MAX που αναγράφεται στο πλαστικό δοχείο. Το περιεχόμενο του πλαστικού δοχείου απαγορεύεται ως βρώσιμο. Κρατήστέ το μακριά από παιδιά.

1. Τοποθετήστε τη συσκευή σε στεγνή, επίπεδη επιφάνεια. Εάν η επιφάνεια δεν είναι επίπεδη, η συσκευή μπορεί να αρχίσει να δονείται και να λαμβάνει ασυνήθιστο θόρυβο.

2. Περιστρέψτε στην επίπεδη θέση το κλειδίωμα της δεξαμενής νερού (13) όπως φαίνεται στις εικόνες C1 και C2. Στη συνέχεια, τραβήξτε λίγο τη δεξαμενή νερού (9) από το πίσω μέρος της συσκευής. Χρησιμοποιήστε την κανάτα για να ρίξετε καθαρό, κρύο νερό, προσέξτε να μην ξεπεράσετε το μέγιστο επίπεδο που επισημαίνεται στον μετροπής στάθμης νερού (5) μπροστά από τη συσκευή. Μπορείτε να ρίξετε νερό χωρίς να τραβήξετε εντελώς τη δεξαμενή νερού. Κατά τη διάρκεια της πλήρωσης και του καθαρίσματος, αποσυνδέστε τη συσκευή από την πρίζα.

3. Για να αφαιρέσετε εντελώς τη δεξαμενή νερού, δείτε την εικόνα C3-C6. Αρχικά αφαιρέστε την αντλία (15) αφήνοντας ένα μάνδαλο αντλίας (14) και τραβήξτε έξω τη δεξαμενή νερού (8). Μην βγάξετε την αντλία, αφήστε την να παραμείνει συνδεδεμένη με το κύριο περιβλήμα. Όταν τοποθετείτε τη δεξαμενή νερού (9) πίσω προσέξτε να μην πιέζετε τους σωλήνες νερού που είναι συνδεδεμένοι με την αντλία.

Μετά την έκχυση νερού, γυρίστε το κλειδίωμα της δεξαμενής νερού (13) σε οριζόντια θέση. Μην γέρνετε τη συσκευή αφού ρίξετε το νερό στη δεξαμενή νερού. Μην αφαιρείτε τη δεξαμενή νερού ενώ η συσκευή είναι συνδεδεμένη στην παροχή ρεύματος.

4. Συνδέστε το φως στην παροχή ρεύματος. Τώρα μπορεί να χρησιμοποιηθεί πίνακας ελέγχου (12) ή τηλεχειριστήριο (10) για τη λειτουργία της συσκευής (εικόνα Β). Ενεργοποιήστε τη συσκευή πατώντας το κουμπί λειτουργίας (Α). Πατήστε ξανά το κουμπί (Α) για να απενεργοποιήσετε τη συσκευή.

5. Το κουμπί SPEED (C) σας επιτρέπει να αλλάξετε την ταχύτητα του ανεμιστήρα. Μπορούν να επιλεγούν οι ακόλουθες ταχύτητες: υψηλές, μεσαίες και αργές. Η αντίστοιχη διόδος στον πίνακα ελέγχου θα ανάψει.

6. Η λειτουργία υγρασίας αέρα λειτουργεί με το κουμπί OLYΞΗΣ (F), μειώνει τη θερμοκρασία του αέρα τρέχοντας την αντλία νερού. Πατήστε το κουμπί (F) όταν υπάρχει νερό ΜΟΝΟ μέσα στη δεξαμενή νερού, η αντίστοιχη διόδος θα ανάψει στον πίνακα ελέγχου (12). Επιπλέον, προσαρτάται ένα σετ δύο πλαστικών δοχείων (11). Τα πλαστικά δοχεία (11) πρέπει να γεμίζονται με κρύο νερό βρύσης και να μην υπερβαίνουν το μέγιστο επίπεδο. Στη συνέχεια, βάλτε τα αρκετές ώρες μέσα στην κατάψυξη. Στη συνέχεια, τοποθετήστε ένα ή και τα δύο δοχεία στη δεξαμενή νερού (9). Για να φυσήξετε τον υγρό δροσερό αέρα, η συσκευή πρέπει να γεμίσει με νερό. Όταν η συσκευή λειτουργεί, ελέγχετε περιοδικά τη στάθμη του νερού για να δείτε αν θα προσθέσετε νερό. Πατήστε ξανά το κουμπί (F) για να απενεργοποιήσετε τον υγρό κρύο αέρα που φυσάει.

Μέγιστη ισχύς: 350 W
Χωρητικότητα δεξαμενής: 2 λίτρα
Κατανάλωση νερού: 230 ml / ώρα
Μπαταρία: CR2025 (3V)
Επίπεδο θορύβου: 59,4dB
Όγκος ροής αέρα: 188,4m³/h
Διαστάσεις προϊόντος: 18,6 x 25,5 x 62,5 cm



We geven om het milieu. We vragen u om de kartonnen verpakkingen te storten bij het oud papier. Polyethyleen zakken (PE) storten in de container voor plastic. Versleten apparatuur afgeven bij het juiste verzamelpunt, als in het apparaat gevaarlijke elementen zitten kan dat een bedreiging zijn voor het milieu. Elektrisch apparaat moet worden geretourneerd om het hergebruik te verminderen. Als in het apparaat batterijen zitten, horen die verwijderd te worden en apart af te worden gegeven bij het juiste verzamelpunt.

МАКЕДОНСКИ

УСЛОВИ ЗА БЕЗБЕДНОСТ. ВАМРНИ УПАТСТВА ЗА БЕЗБЕДНОСТ НА УПОТРЕБА ВЕ МОЛИМЕ ЧИТАЈТЕ ВНИМАТЕЛНО И ЧУВАЈТЕ ЗА ИДНА РЕФЕРЕНЦА

Условите за гаранција се различни, доколку уредот се користи за комерцијална намена.

1. Пред да го користите производот, внимателно прочитајте и секогаш почитувајте ги следниве упатства. Производителот не е одговорен за било каква штета поради каква било злоупотреба.
2. Производот треба да се користи само во затворени простории. Не користете го производот за која било цел што не е компатибилна со неговата примена.
3. Применливиот напон е 220-240V, ~ 50Hz. Од безбедносни причини не е соодветно да поврзете повеќе уреди на еден штекер.
4. Ве молиме, бидете претпазливи кога користите околу деца. Не дозволувајте децата да си играат со производот. Не дозволувајте деца или луѓе кои не го познаваат уредот да го користат без надзор.
5. ПРЕДУПРЕДУВАЕ: Овој уред може да го користат деца над 8 години и лица со намалени физички, сетилни или ментални способности, или лица без искуство или знаење за уредот, само под надзор на лице одговорно за нивната безбедност, или доколку биле упатени за безбедно користење на уредот и се свесни за опасностите поврзани со неговото работење. Децата не треба да си играат со уредот. Чистењето и одржувањето на уредот не треба да го вршат деца, освен ако не се постари од 8 години и овие активности се изведуваат под надзор.
6. Откако ќе завршите со користење на производот, секогаш запомнете нежно да го отстраните приклучокот од штекерот што го држи штекерот со раката. Никогаш не влечете го кабелот за напојување !!!
7. Никогаш не оставајте го производот поврзан со изворот на енергија без надзор. Дури и кога употребата е прекината за кратко време, исклучете ја од мрежата, исклучете го напојувањето.
8. Никогаш не ставајте го кабелот за напојување, приклучокот или целиот уред во вода. Никогаш не го изложувајте производот на атмосферски услови, како што се директна сончева светлина или дожд, итн. Никогаш не користете го производот во влажни услови.
9. Периодично проверувајте ја состојбата на кабелот за напојување. Ако кабелот за струја е оштетен, производот треба да се сврти на професионална локација за сервис за да се замени со цел да се избегнат опасни ситуации.
10. Никогаш не користете го производот со оштетен кабел за напојување или ако е испуштен или оштетен на друг начин или ако не работи правилно. Не обидувајте се сами да го поправите дефектниот производ, бидејќи може да доведе до електричен удар. Секогаш свртувајте го оштетениот уред на професионална локација за сервис за да го поправите. Сите поправки може да ги вршат само овластени стручни професионалци. Поправката што е направена неправилно може да предизвика опасни ситуации за корисникот.
11. Никогаш не ставајте го производот на или блиску до топлите или топлите

- површини или кујнските апарати како електричната печка или горилникот за гас.
12. Никогаш не користете го производот близу до запаливи материи.
 13. Не дозволувајте кабелот да виси над работ на шалтер.
 14. Не потопувајте ја моторната единица во вода.
 15. За да се обезбеди дополнителна заштита, препорачливо е да инсталирате уред за преостаната струја (RCD) во електричното коло со номинална преостаната струја што не надминува 30mA. Прашајте го ова за електричар.
 16. Не ставајте прсти или други предмети во решетката на куќиштето на уредот.
 17. Не го блокирајте штекерот.
 18. Кога ќе завршите, пред да го ставите, исцедете вода од уредот.
 19. Ако уредот не се користи долго време, исклучете го од изворот на енергија.
 20. Секогаш користете нови батерии за да ги замените испразнетите батерии во далечинскиот управувач.
 21. Не го поместувајте уредот кога внатрешниот резервоар е исполнет со вода.
 22. Не ставајте предмети на уредот.
 23. Уредот може да се користи само со правилно работна вентилација.

Пред првата употреба

1. Треба да се запомни дека високото ниво на влажност може да го фаворизира развојот на биолошките организми во околината.
2. Немојте да го навлажнувате уредот или да ја навлажнувате областа околу уредот. Ако се појави влага, намалете ја ефикасноста на функцијата за навлажнување.
3. Не дозволувајте да се навлажни вливачки материјали како теписи, завеси, чаршафи.
4. Никогаш не оставајте вода во резервоарот кога уредот не се користи.
- ПРЕДУПРЕДУВАЕ: Кога водата не се заменува и резервоарот не е правилно исчистен на секои 3 дена, микроорганизмите што можат да бидат присутни во водата или во средината каде што уредот се користи или складира, може да се развијат во резервоарот за вода и да се издват околината. Ова може да предизвика сериозен ризик по здравјето.
- ПРЕДУПРЕДУВАЕ: На секои три дена, испразнете го резервоарот за вода и наполнете со чиста вода. Пред полнење, исчистете го резервоарот со свежа вода од чешма или користете детергенти. Отстранете ги сите ваги, наноси или филм што се формирале на страните на резервоарот и на внатрешните површини. По миењето, избришете ги сите површини сува.
5. Кога уредот се користи за прв пат, моторот на уредот може да произведе мирис што ќе се распрсне во рок од една недела од употребата. Во овој случај, не е потребно ваша акција.

ОПИС НА ПРОИЗВОДОТ Ладилник за воздух без сечила MS7856

1. Рачка
3. Ракувајте со рачна контрола на правецот на струење нагоре / надолу на воздухот
5. Мерач на нивото на водата
7. Заден капак со мрежа
9. Резервоар за вода
11. Кутии за мраз
13. Заклучување на резервоарот за вода
15. Пумпа
17. Брави за филтри

2. Излез за воздух
4. Предно куќиште
6. Куќиште назад
8. Филтер за испарување
10. Далечински управувач
12. Контролен панел
14. Брава на пумпата
16. Вдлабнатина на капакот

Далечински управувач и контролен панел - слика B

- A - копче за вклучување
 C - копче за брзина на вентилаторот
 E - Копче за е -тајмер

- B - копче за режим
 D - копче за тајмер
 F - копче за влажно ладење

РАБОТА

Забележливо намалување на температурата на излезна воздух се случува откако ќе ги ставите во резервоарот за вода (9) пластичните садови (11) вклучени во производот. Пластичните садови треба претходно да се замрзнат во замрзнувач неколку часа. Препорачливо е да го наполните пластичниот сад (11) со ладна вода од чешма и да не го надминувате нивото MAX означено на пластичниот сад. Содржината на пластичен сад е забранета за јадење. Чувајте го подалеку од деца.

1. Ставете го уредот на сува, рамна површина. Ако површината не е рамна, уредот може да почне да вибрира и да добие абнормален шум.
2. Завртете ја во рамна положба бравата на резервоарот за вода (13) како што е прикажано на сликите C1 и C2. Потоа, извадете го малку резервоарот за вода (9) од задниот дел на уредот. Користете го бокалот за да истурете чиста, ладна вода, внимавајте да не го надминете максималното ниво означено на мерачот за нивото на водата (5) пред уредот. Може да истурете вода без целосно извлекување на резервоарот за вода. За време на полнењето и чистењето, исклучете го уредот од електричната мрежа.
3. За целосно отстранување на резервоарот за вода, погледнете ја сликата C3-C6. Отстранете ја прво пумпата (15) со ослободување на една брава на пумпата (14) и извлекете го резервоарот за вода (8). Не извлекувајте ја пумпата, оставете ја да остане поврзана со главното куќиште. Кога го ставате резервоарот за вода (9) назад, внимавајте да не ги притиснете цевките за вода поврзани со пумпата.
4. Истурање вода, свртете ја бравата на резервоарот за вода (13) во хоризонтална положба. Не навалувајте го уредот откако ќе ја истурите водата во резервоарот за вода. Не отстранувајте го резервоарот за вода додека уредот е приклучен на напојување.
5. Поврзете го приклучокот со напојување. Сега може да се користи контролен панел (12) или далечински управувач (10) за ракување со уредот (слика B). Вклучете го уредот со притискање на копчето за вклучување (A). Притиснете го копчето (A)

повторно за да го исклучите уредот.

5. Копчето SPEED (C) ви овозможува да ја смените брзината на вентилаторот. Може да се избрат следните брзини: висока, средна и бавна. Соодветната диода на контролната табла ќе светне.

6. Функцијата за навлажнување на воздухот се работи со копче COOL (F), ја намалува температурата на воздухот со вклучување на пумпата за вода. Притиснете го копчето (F) САМО кога има вода во резервоарот за вода, соодветната диода ќе светне на контролната табла (12). Дополнително, прикачен е комплект од два пластични садови (11). Пластичните садови (11) треба да се полнат со ладна, вода од чешма и да не го надминуваат максималното ниво. Следно, ставете ги неколку часа во замрзнувачот. Потоа ставете еден или двата контейнери во резервоарот за вода (9). За да дува влажен ладен воздух, уредот мора да се наполни со вода. Кога уредот работи, периодично проверувајте го нивото на водата за да видите дали да додадете вода. Притиснете го копчето (F) повторно за да го исклучите влажниот студен воздух што дува.

7. Притискање на функцијата за осцилација со притискање на копчето SWING (E) за да се обезбеди рамномерна распределба на протокот на ладен воздух во лева и десна насока. Соодветната диода ќе светне на контролната табла (12).

8. Копчето TAJMER (D) овозможува програмирање на времето на работа со 1 час намалување од 1 до 8 часа. Повторното притискање на ова копче ќе осветли комбинација на диоди на контролната табла (12). Збирот на означени осветлени диоди значи избран период кога уредот ќе работи пред да го исклучи уредот автоматски.

9. Копчето MODE (B) овозможува промена помеѓу еден од 3те режими на дување:

нормален ветер, природен ветер и режим на спиење. Додатно на избраниот режим ќе светне на контролната табла (12).

а) Нормален режим: му овозможува на корисникот рачно да ја прилагоди брзината на вентилаторот помеѓу висока, средна и ниска. б) Природен режим: го имитира природното дејство на ветерот со повторување на редоследот на брзината на вентилаторот:

* Кога ја избирате ниската брзина на вентилаторот, уредот дува и се повторува под циклусот: ниско 4 секунди + стоп 2 секунди + средно 4 секунди + ниско 6 секунди + средно 4 секунди + стоп 2 секунди + високо 2 секунди + ниско 4 секунди + средно 2 секунди + ниско 4 секунди + средно 4 секунди + ниско 4 секунди + стоп 2 секунди + високо 2 секунди + ниско 4 секунди + средно 2 секунди.

* При изборот на средна брзина на вентилаторот, уредот дува и се повторува под циклусот: ниско 4 секунди + средно 6 секунди + ниско 2 секунди + високо 2 секунди + стоп 2 секунди + средно 4 секунди + ниско 4 секунди + средно 4 секунди + ниско 2 секунди + средна 4 секунда + ниска 4 секунди + висока 2 секунди + стоп 2 секунди + средна 4 секунда + ниска 4 секунди + висока 4 секунди + стоп 2 секунди + средна 4 секунда + висока 4 секунди.

* При изборот на брзата брзина на вентилаторот, уредот дува и се повторува под циклусот: високо 4 секунди + стоп 2 секунди + средно 4 секунди + високо 4 секунди + ниско 4 секунди + високо 2 секунди + средно 4 секунди + ниско 4 секунди + високо 4 секунди + стоп 2 секунди + средно 4 секунди + високо 6 секунди + ниско 4 секунди + високо 4 секунди + средно 4 секунди + ниско 4 секунди + високо 4 секунди + средно 4 секунди + ниско 4 секунди + високо 4 секунди + стоп 2 секунди.

в) Режим на спиење: дизајниран е да ги користи ефектите од Природниот режим за да заспи. Постепено ќе ја намалува брзината на вентилаторот со зголемување од 30 минути:

* Кога ќе изберете ниска брзина на вентилаторот: вентилаторот ќе работи исто како и природниот режим со мала брзина.

* Кога ќе ја изберете средната брзина на вентилаторот: вентилаторот ќе дува 30 минути со средна брзина Природен режим, потоа префрлете се на Природен режим со мала брзина.

* Кога ќе изберете голема брзина на вентилаторот: вентилаторот ќе дува 30 минути со голема брзина Природен режим, потоа ќе се префрли 30 минути со средна брзина Природен режим, потоа ќе се префрли на Природен режим со мала брзина.

ЗАБЕЛЕШКА: Ако претпочинате постојана брзина на вентилаторот додека спиете, препорачуваме да го поставите вентилаторот во нормален режим и да изберете мала брзина. Користете ја функцијата тајмер за да го поставите вентилаторот да се исклучи по изминатото време (на пр. 1 час откако ќе одите во кревет).

10. Сите копчиња на далечинскиот управувач (10) ги имаат истите функции како и копчињата на контролната табла (12). Не ставајте предмети помеѓу уредот и далечинскиот управувач за да обезбедите правилна комуникација помеѓу далечинскиот управувач и уредот. За да започнете со работа со далечински управувач (10), извлекете го филмот за инсталирање. За да ја замените батеријата, притиснете го копчето за ослободување на кукиштето на далечинскиот управувач како што е прикажано на сликата Е. Заменете со батерија од ист тип, обрнете внимание да ја вратите назад во правилниот пол на поларизација, повторно составете ја батеријата во обратен редослед.

ЧИСТЕЕ И ОДРУВАЕ

Секогаш исклучувајте го уредот од струја пред да започнете со чистење или додавање/ одвод на вода или движење на уредот.

1. По завршувањето на работата, пред да го чувате уредот подолго време, испразнете го резервоарот за вода и исчистете го и него и целиот уред.

2. исчистете со мека, сува крпа. Не користете хемиски растворувачи бидејќи можат да предизвикаат трајно оштетување или деформација на уредот.

3. Ако уредот не се користи три или повеќе месеци, извадете ги батериите од далечинскиот управувач.

4. По долго време работење, капакот со мрежа (7) и филтер за испарување (8) може да биде затнат со прашина, што во голема мера ќе влијае на перформансите на ладењето на уредот. Ако водата не се разменува долго време, може да има мувла.

Предлагаме да го исчистите капакот со мрежа (7) и филтер (8) еднаш на секои 10 дена. Постапката за чистење на филтерот (8) е како што следува:

а) Исклучете го уредот од струја, повлечете го задниот капак (7) со двете владлатини (16) за да го отстраните - погледнете ја сликата D. За да го отстраните филтерот за испарување (8) повлечете го бравата на филтерот (17), пластиката е флексибилна и ќе ви овозможи да го извадите филтерот за испарување (8).

б) исчистете го филтерот за испарување (8) со помош на правосмукалка. Капакот со мрежа (7) не треба да се трие со раце за да се избегне деформација на мрежата.

в) Поставете го филтерот (8) и капакот со мрежа (7) на своето место.

г) Проверете дали резервоарот за вода (8), филтерот (5) и капакот со мрежа (7) се заменети во правилна положба пред повторно вклучување. Пред сезонското складирање, проверете дали сите делови се суви со вклучување на режимот на вентилаторот 2 часа или пократко за да бидете сигурни дека филтерот (5) е целосно сушен.

4. Исцедете ја водата пред сезонско складирање со отстранување на резервоарот за вода (поглавје Работа - точка 2). Користете благ сапун и вода за чистење на резервоарот за вода. Потоа целосно исушете го уредот и резервоарот за вода за да избегнете оштетување од влага.

5. Исцедете ја водата од пластичните садови (11) пред складирање.

6. Покријте го уредот со пластична кеса за да се заштитите од прашина и намотувајте го кабелот за напојување. Чувајте го уредот на суво место, без директна сончева светлина.

7. Исчистете го уредот и резервоарот за вода пред следната употреба.

ОПИСНО

1. Извршете ја постапката за отстранување на бигор во согласност со упатствата на средството за отстранување на бигор наведени од производителот.
2. Користете средства за отстранување на бигор наменети за оваа намена.
3. Спроведете ја постапката за отстранување на бигор најмалку на секои 3 месеци.
4. Исклучете го резервоарот за вода само кога уредот е исклучен.

ТЕХНИЧКИ ПОДАТОЦИ:

Напојување 220-240V ~ 50-60 Hz

Мокност: 80 W

Максимална мокност: 350 W

Капацитет на резервоарот: 2 литри

Потрошувачка на вода: 230 ml / час

Батерија: CR2025 (3V)

Ниво на бучава: 59,4dB

Волумен на проток на воздух: 188,4m³/h

Димензии на производот: 18,6 x 25,5 x 62,5 cm



Се грижime за природната средина. Картонските паковки молиме да се наменат за рециклирање. Полиетиленовите кеси (PE) да се фрлат во контејнер за пластика. Искористениот уред треба да се предаде во соодветниот складирачки пункт, бидејќи небезбедните состојки кои се наоѓаат во уредот можат да бидат загрозување за средината.

Електричниот уред треба да се предаде на начин кој ќе оневозможи негова повторна употреба и искористување.

Доколку во уредот има батерии, треба да се извадат и посебно да се предадат во складирачкиот пункт.

SVENSKA

SÄKERHETSFÖRHÅLLANDEN. VIKTIGA INSTRUKTIONER FÖR ANVÄNDNINGSSÄKERHET

Vänligen läs noggrant och HÅLL FÖR FRAMTIDIGA REFERENS

Garantivillkoren är annorlunda om enheten används för kommersiella ändamål.

1. Innan du använder produkten, läs noggrant och följ alltid följande instruktioner. Tillverkaren ansvarar inte för eventuella skador på grund av missbruk.
2. Produkten får endast användas inomhus. Använd inte produkten för något ändamål som inte är kompatibelt med dess applikation.
3. den tillämpliga spänningen är 220-240V, ~ 50Hz. Av säkerhetsskäl är det inte lämpligt att ansluta flera enheter till ett eluttag.
4. Var försiktig när du använder barn. Låt inte barnen leka med produkten. Låt inte barn eller personer som inte känner enheten använda den utan övervakning.
5. VARNING: Denna enhet får användas av barn över 8 år och personer med nedsatt fysisk, sensorisk eller mental förmåga, eller personer utan erfarenhet eller kunskap om enheten, endast under överinseende av en person som är ansvarig för deras säkerhet, eller om de instruerades om säker användning av enheten och är medvetna om de faror som är förknippade med dess användning. Barn ska inte leka med enheten. Rengöring och underhåll av enheten bör inte utföras av barn, om de inte är över 8 år och dessa aktiviteter utförs under övervakning.
6. När du är klar med att använda produkten, kom alltid ihåg att försiktigt ta ut kontakten från eluttaget som håller uttaget med handen. Dra aldrig i strömkabeln !!!
7. Lämna aldrig produkten ansluten till strömkällan utan övervakning. Även om användningen avbryts en kort stund, stäng av den från nätverket, koppla ur strömmen.
8. Sätt aldrig i strömkabeln, kontakten eller hela enheten i vattnet. Utsätt aldrig produkten för atmosfäriska förhållanden som direkt solljus eller regn, etc. Använd aldrig produkten i fuktiga förhållanden.
9. Kontrollera strömkabelns tillstånd periodiskt. Om strömkabeln är skadad ska produkten vändas till en professionell service för att bytas ut för att undvika farliga situationer.
10. Använd aldrig produkten med en skadad strömkabel eller om den tappades eller skadades på annat sätt eller om den inte fungerar korrekt. Försök inte reparera den defekta produkten själv eftersom det kan leda till elektriska stötar. Vänd alltid den skadade enheten till en professionell service för att reparera den. Alla reparationer kan endast utföras av auktoriserade servicetekniker. Reparationen som utförts felaktigt kan orsaka farliga situationer för användaren.
11. Sätt aldrig produkten på eller nära de varma eller varma ytorna eller köksapparaterna,

t.ex. elektrisk ugn eller gasbrännare.

12. Använd aldrig produkten nära brännbara ämnen.

13. Låt inte sladden hänga över kanten på disken.

14. Sänk inte ner motorenheten i vatten.

15. För att ge ytterligare skydd är det lämpligt att installera en jordfelsbrytare (RCD) i den elektriska kretsen med en märkström på högst 30mA. Fråga en elektriker om detta.

16. För inte in fingrar eller andra föremål i apparatens galler.

17. Blockera inte uttaget.

18. När det är klart, töm vatten från enheten innan du lägger det.

19. Om enheten inte används på länge, koppla ur den från strömkällan.

20. Använd alltid nya batterier för att byta ut de urladda batterierna i fjärrkontrollen.

21. Flytta inte enheten när innertanken är fylld med vatten.

22. Placera inga föremål på enheten.

23. Enheten kan endast användas med korrekt fungerande ventilation.

Före första användning

1. Man bör komma ihåg att en hög luftfuktighet kan gynna utvecklingen av biologiska organismer i miljön.

2. Blöt inte enheten eller blöt området runt enheten. Om fukt uppstår, minska effektiviteten hos befuktningfunktionen.

3. Låt inte absorberande material som mattor, gardiner, dukar bli våta.

4. Lämna aldrig vatten i tanken när enheten inte används.

• VARNING: När vattnet inte byts ut och tanken inte rengörs ordentligt var tredje dag kan mikroorganismer som kan finnas i vattnet eller i miljön där enheten används eller lagras utvecklas i vattentanken och blåsa ut för att omgivningen. Detta kan orsaka en mycket allvarlig hälsorisk.

• VARNING: Töm vattentanken var tredje dag och fyll på med rent vatten. Rengör tanken med färskt kranvatten eller med tvättmedel innan du fyller på. Avlägsna eventuell skala, avlagringar eller film som har bildats på tankens sidor och på de inre ytorna. Torka av alla ytor efter tvätt.

5. När enheten används för första gången kan enhetens motor producera en lukt som försvinner inom en vecka efter användning. Det krävs ingen åtgärd i detta fall.

PRODUKTBESKRIVNING Bladlös luftkylare MS7856

1. Handtag

3. Handtag för manuell upp / ned luftflödesriktningskontroll

5. Vattennivåmätare

7. Baksida med nät

9. Vattentank

11. Isboxar

13. Vattentankläs

15. Pump

17. Filterläs

2. Luftutlopp

4. Fronthus

6. Baksida

8. Avdunstningsfilter

10. Fjärrkontroll

12. Kontrollpanel

14. Pumpspärr

16. Locket urtag

Fjärrkontroll & Kontrollpanel - bild B

A - strömknapp

C - fläkthastighetsknapp

E - timer -knapp

B - lägesknapp

D - timer -knapp

F - knapp för vätkylning

DRIFT

En märkbar minskning av temperaturen på utblåsningsluften uppstår efter att plastbehållarna (11) som ingår i produkten har satts i vattentanken (9). Plastbehållarna ska tidigare frysas i frysen i några timmar. Det rekommenderas att fylla plastbehållaren (11) med kallt kranvatten och inte överskrida den MAX -nivå som anges på plastbehållaren. Innehållet i plastbehållare är förbjudet att äta. Håll borta från barn.

1. Placera enheten på en torr, plan yta. Om ytan inte är plan kan enheten börja vibrera och få onormalt ljud.

2. Vrid vattentankläset (13) till plant läge enligt bild C1 och C2. Dra sedan ut lite vattenbehållare (9) från enhetens baksida. Använd kannan för att hålla klart, kallt vatten, var försiktig så att du inte överskrider den högsta nivån som anges på vattennivåmätaren (5) framför enheten. Du kan hålla vatten utan att dra ut vattentanken helt. Under påfyllning och rengöring, koppla bort enheten från elnätet.

3. För att ta bort vattentanken helt, se bild C3-C6. Ta först bort pumpen (15) genom att släppa en pumpspärr (14) och dra ut vattentanken (8). Dra inte ut pumpen, låt den förbli ansluten till huvudhuset. När du placerar vattentanken (9) tillbaka, var uppmärksam på att inte pressa ihop vattenledningarna som är anslutna till pumpen.

Efter att vatten har hållits, vrid vattentankläset (13) till horisontellt läge. Luta inte enheten efter att ha hållt vattnet i vattentanken. Ta inte bort vattentanken medan enheten är ansluten till strömförsörjningen.

4. Anslut kontakten till strömförsörjningen. Nu kan manöverpanelen (12) eller fjärrkontrollen (10) användas för att styra enheten (bild B). Slå på enheten genom att trycka på strömbrytaren (A). Tryck på knappen (A) igen för att stänga av enheten.

5. Med knappen SPEED (C) kan du ändra fläktens hastighet. Följande hastigheter kan väljas: hög, mitten och långsam. Motsvarande diod på kontrollpanelen tänds.

6. Luftfuktningfunktionen drivs med COOL -knappen (F), den sänker temperaturen på luften genom att köra vattenpumpen. Tryck på knappen (F) när det ENDAST finns vatten i vattentanken, motsvarande diod tänds på kontrollpanelen (12). Dessutom är en uppsättning med två plastbehållare (11) fästa. Plastbehållare (11) ska fyllas med kallt kranvatten och inte överskrida maxnivån. Lagg sedan på dem flera timmar inuti frysen. Lagg sedan en eller båda behållarna i vattentanken (9). För att blåsa sval luft måste enheten fyllas med vatten. När enheten är i drift, kontrollera regelbundet vattennivån för att se om du vill tillsätta vatten. Tryck på knappen (F) igen för att stänga av den blöta kalla luften som blåser.

7. Tryck på oscillationsfunktionen genom att trycka på SWING -knappen (E) för att ge jämn fördelning av kall luftström i vänster och höger riktning. Motsvarande diod tänds på kontrollpanelen (12).
8. TIMER -knappen (D) möjliggör programmering av drifttiden med 1 timmes minskning från 1 till 8 timmar. Upprepat tryck på denna knapp tänder en kombination av dioder på kontrollpanelen (12). Summan av upplysta dioder -märkning innebär den valda perioden enheten kommer att arbeta innan enheten stängs av automatiskt.
9. Med MODE -knappen (B) kan du växla mellan ett av tre blåsälagen: normal vind, naturligt vind och viloläge. Diod för valt läge tänds på kontrollpanelen (12).
 - a) Normalt läge: låter användaren manuellt justera fläkthastigheten mellan hög, medel och låg.
 - b) Naturläge: härmar den naturliga vindåtgärden genom att upprepa fläkthastighetssekvensen:
 - * När du väljer den låga fläkthastigheten blåser enheten ut och upprepar sig under cykeln: låg 4 sekunder + stopp 2 sekunder + mitt 4 sekunder + låg 6 sekunder + mitt 4 sekunder + stopp 2 sekunder + hög 2 sekunder + låg 6 sekunder + mitt 4 sekunder + låg 4 sekunder + mitt 2 sekunder + låg 4 sekunder + mitt 4 sekunder + låg 4 sekunder + stopp 2 sekunder + hög 2 sekunder + låg 4 sekunder + mitt 2 sekunder + låg 4 sekunder + mitt 2 sekunder.
 - * När du väljer mitt fläkthastighet blåser enheten ut och upprepar under cykeln: låg 4 sekunder + mitten 6 sekunder + låg 2 sekunder + hög 2 sekunder + stopp 2 sekunder + mitt 4 sekunder + låg 4 sekunder + mitt 4 sekunder + låg 2 sekunder + mitt 4 sekunder + låg 4 sekunder + hög 2 sekunder + stopp 2 sekunder + mitt 4 sekunder + låg 4 sekunder + hög 4 sekunder + stopp 2 sekunder + mitt 4 sekunder + hög 4 sekunder.

Före första användning

1. Man bör komma ihåg att en hög luftfuktighet kan gynna utvecklingen av biologiska organismer i miljön.
2. Blöt inte enheten eller blöt området runt enheten. Om fukt uppstår, minska effektiviteten hos befuktningfunktionen.
3. Låt inte absorberande material som mattor, gardiner, dukar bli våta.
4. Lämna aldrig vatten i tanken när enheten inte används.
 - VARNING: När vattnet inte byts ut och tanken inte rengörs ordentligt var tredje dag kan mikroorganismer som kan finnas i vattnet eller i miljön där enheten används eller lagras utvecklas i vattentanken och blåsa ut för att omgivningen. Detta kan orsaka en mycket allvarlig hälsorisk.
 - VARNING: Töm vattentanken var tredje dag och fyll på med rent vatten. Rengör tanken med färskt kranvatten eller med tvättmedel innan du fyller på. Avlägsna eventuell skala, avlagringar eller film som har bildats på tankens sidor och på de inre ytorna. Torka av alla ytor efter tvätt.
5. När enheten används för första gången kan enhetens motor producera en lukt som försvinner inom en vecka efter användning. Det krävs ingen åtgärd i detta fall.

- * När du väljer den snabba fläkthastigheten blåser enheten ut och upprepar under cykeln: hög 4 sekunder + stopp 2 sekunder + mitt 4 sekunder + hög 4 sekunder + låg 4 sekunder + hög 2 sekunder + mitt 4 sekunder + hög 4 sekunder + stopp 2 sekunder + mitt 4 sekunder + hög 6 sekunder + låg 4 sekunder + hög 4 sekunder + mitt 4 sekunder + låg 4 sekunder + hög 4 sekunder + stopp 2 sekunder + mitt 4 sekunder.
- c) Viloläge: utformades för att använda effekterna av Naturläge för att sovrna. Det kommer gradvis att minska fläktens hastighet i steg om 30 minuter:
 - * När du väljer låg fläkthastighet: fläkten körs på samma sätt som låg hastighet Natural Mode.
 - * När du väljer mellanfläktens hastighet: fläkten kommer att blåsa 30 minuter med medelhastighet Natural Mode och sedan växla till Natural Speed II med låg hastighet.
 - * När du väljer den höga fläkthastigheten: fläkten kommer att blåsa 30 minuter vid hög hastighet i naturligt läge, därefter växlar den i 30 minuter med medelhastighet i naturligt läge, sedan kommer den att växla till låg hastighet i naturligt läge.
- ANMÄRKNING: Om du föredrar en konstant fläkthastighet medan du sover, rekommenderar vi att du ställer in fläkten till normalt läge och väljer låg hastighet. Använd timertfunktionen för att ställa in fläkten så att den stängs av efter en tid (t.ex. 1 timme efter att du ska lägga dig).
10. Alla knappar på fjärrkontrollen (10) har samma funktioner som knapparna på kontrollpanelen (12). Placera inga föremål mellan enheten och fjärrkontrollen för att säkerställa korrekt kommunikation mellan fjärrkontrollen och enheten. Dra ut installationsfilmen för att starta fjärrkontrollen (10). För att byta batteri, tryck på frigöringsfliken på fjärrkontrollens hölje som visas på bild E. Byt ut mot ett batteri av samma typ, var uppmärksam på att placera tillbaka det i rätt polariseringspol, sätt ihop batteriet i omvänd ordning.

STÄDNING OCH UNDERHÅLL

- Koppla alltid ur enheten innan du börjar rengöra eller tillsätta/ tömma vatten eller flytta enheten.
1. Efter avslutad drift, innan du förvarar enheten under längre tid, töm vattentanken och rengör den och hela enheten.
 2. Rengör med en mjuk, torr trasa. Använd inte kemiska lösningsmedel eftersom de kan orsaka permanent skada eller deformation av enheten.
 3. Om enheten inte används på tre eller flera månader, ta ut batterierna från fjärrkontrollen.
 4. Efter lång tids drift kan locket med nät (7) och avdunstningsfiltret (8) täppas till av damm, vilket i hög grad kommer att påverka enhetens kylning. Om vattnet inte byts ut länge kan det finnas mögel. Vi föreslår att du rengör locket med nät (7) och filter (8) en gång var 10:e dag. Filtret (8) rengöringsproceduren är enligt nedan:
 - a) Dra ur kontakten, dra i bakstycket (7) i båda uttagningarna (16) för att ta bort det - se bild D. För att ta bort förångningsfiltret (8) dra tillbaka filterspärren (17), plasten är flexibel och låter dig ta ut avdunstningsfiltret (8).
 - b) Rengör avdunstningsfiltret (8) med en dammsugare. Locket med nät (7) ska inte gnugga med händerna för att undvika nätdeformation.
 - c) Sätt tillbaka filtret (8) och locket med nätet (7).
 - d) Se till att vattentanken (8), filtret (5) och locket med nätet (7) byts ut i rätt läge innan du sätter på igen. Se till att alla delar är torra före säsongförvaring genom att köra fläktiläget i 2 timmar eller kortare för att se till att filtret (5) är helt torrt.
 4. Töm vattnet före säsongförvaring genom att ta bort vattentanken (kapitel Drift - punkt 2). Använd mild tvål och vatten för att rengöra vattentanken. Torka sedan enheten och vattentanken helt för att undvika fuktskador.
 5. Töm vattnet från plastbehållarna (11) före lagring.
 6. Täck enheten med en plastpåse för att skydda mot damm och lindning av nätsladden. Förvara enheten på en torr plats i direkt solljus.
 7. Rengör enheten och vattentanken före nästa användning.

AVKALKNING

1. Utför avkalkningsförfarandet i enlighet med instruktionerna från det avkalkningsmedel som anges av tillverkaren.
2. Använd avkalkningsmedel avsedda för detta ändamål.
3. Utför avkalkningsförfarandet minst var tredje månad.
4. Avkalka vattentanken först när enheten stängdes av.

TEKNISK DATA:
 Strömförsörjning 220-240V ~ 50-60 Hz

Effekt: 80 W.
Max effekt: 350 W
Tankvolum: 2 liter
Vattenförbrukning: 230 ml / timme
Batteri: CR2025 (3V)
Ljudnivå: 59,4dB
Luffflödesvolum: 188,4m3/h
Produktens mått: 18,6 x 25,5 x 62,5 cm



Vi sköter om miljön. Överlämna förpackningar i kartong till pappersavfall. Polyetylensäckar (PE) slängs i avfallsbehållare för plast. Man bör lämna en gammal apparat till en riktig återvinningscentral, eftersom farliga komponenter i apparaten kan orsaka fara till miljön. En elektrisk apparat bör lämnas för att minska förnyad användning av denna. Om apparaten innehåller batterier, bör man ta bort dem och lämna dem separat till återvinningscentraler.

SLOVENSKÝ

BEZPEČNOSTNÉ PODMIENKY. DÔLEŽITÉ POKYNY K BEZPEČNOSTI POUŽÍVANIA PROSÍM ČÍTAJTE POZORNE A USCHOVAJTE SI BUDÚCE REFERENCIE

Pokiaľ sa zariadenie používa na komerčné účely, záručné podmienky sú odlišné.

1. Pred použitím výrobku si prosím pozorne prečítajte a dodržujte nasledujúce pokyny.

Výrobca nezodpovedá za žiadne škody spôsobené nesprávnym použitím.

2. Výrobok je určený len na použitie v interiéri. Nepoužívajte výrobok na žiadny účel, ktorý nie je kompatibilný s jeho aplikáciou.

3. Príslušné napätie je 220-240 V, ~ 50 Hz. Z bezpečnostných dôvodov nie je vhodné pripojiť viacero zariadení k jednej elektrickej zásuvke.

4. Buďte opatrní pri používaní okolo detí. Nenechajte deti hrať sa s výrobkom. Nedovoľte, aby ho používali deti alebo ľudia, ktorí zariadenie nepoznajú, bez dozoru.

5. **UPOZORNENIE:** Tento prístroj môžu používať deti staršie ako 8 rokov a osoby so zníženými fyzickými, zmyslovými alebo mentálnymi schopnosťami alebo osoby bez skúseností alebo znalostí zariadenia, iba pod dohľadom osoby zodpovednej za ich bezpečnosť, alebo ak boli poučení o bezpečnom používaní zariadenia a sú si vedomí nebezpečenstiev spojených s jeho prevádzkou. Deti by sa so zariadením nemali hrať. Čistenie a údržbu zariadenia by nemali vykonávať deti, pokiaľ nie sú staršie ako 8 rokov a tieto činnosti vykonávajú pod dohľadom.

6. Keď výrobok použijete, vždy jemne vytiahnite zástrčku zo zásuvky a držte zásuvku rukou. Nikdy neťahajte za napájací kábel !!!

7. Nikdy nenechávajte výrobok pripojený k zdroju napájania bez dozoru. Aj keď sa používanie na krátky čas preruší, vypnite ho zo siete a odpojte napájanie.

8. Nikdy neponárajte napájací kábel, zástrčku alebo celé zariadenie do vody. Nikdy nevystavujte výrobok atmosférickým podmienkam, ako je priame slnečné svetlo alebo dážď, atď. Nikdy nepoužívajte výrobok vo vlhkom prostredí.

9. Pravidelne kontrolujte stav napájacieho kábla. Ak je napájací kábel poškodený, výrobok by mal byť obrátený na profesionálne servisné miesto, kde bude vymenený, aby sa predišlo nebezpečným situáciám.

10. Nikdy nepoužívajte výrobok s poškodeným napájacím káblom alebo ak vám spadol alebo je poškodený iným spôsobom alebo ak nefunguje správne. Nepokúšajte sa opraviť poškodený výrobok sami, pretože to môže viesť k úrazu elektrickým prúdom. Poškodené zariadenie za účelom opravy vždy obráťte na profesionálne servisné miesto. Všetky opravy môžu vykonávať iba autorizovaní servisní pracovníci. Oprava, ktorá bola vykonaná nesprávne, môže používateľovi spôsobiť nebezpečné situácie.

11. Nikdy nedávajte výrobok na horúce alebo teplé povrchy alebo do ich blízkosti alebo blízko kuchynských spotrebičov, ako je elektrická rúra alebo plynový horák.

12. Nikdy nepoužívajte výrobok v blízkosti horľavých materiálov.

13. Nenechajte kábel visieť cez okraj pultu.

14. Neponárajte motorovú jednotku do vody.

15. Na zaistenie dodatočnej ochrany je vhodné do elektrického obvodu nainštalovať prúdový chránič (RCD) s menovitým zvyškovým prúdom nepresahujúcim 30 mA.

Požiadajte o to elektrikára.

16. Nevkladajte prsty ani iné predmety do mriežky krytu zariadenia.
17. Neblokujte vývod.
18. Po dokončení, pred odložením, vypustíte vodu zo zariadenia.
19. Ak zariadenie dlhší čas nepoužívate, odpojte ho od zdroja napájania.
20. Na výmenu vybitých batérií v diaľkovom ovládači vždy používajte nové batérie.
21. Nehýbte zariadením, ak je vnútorná nádrž naplnená vodou.
22. Na zariadenie nekladte žiadne predmety.
23. Zariadenie je možné používať iba s riadne fungujúcim vetraním.

Pred prvým použitím

1. Malo by sa pamätať na to, že vysoká úroveň vlhkosti môže podporovať vývoj biologických organizmov v životnom prostredí. Nenamotejte zariadenie ani nenavlhčite okolie zariadenia. Ak sa objaví vlhkosť, znížte účinnosť funkcie zvlhčovania.
2. Nenechajte nasiaknuť savé materiály, ako sú koberce, závesy, obrusy.
3. Nikdy nenechávajte vodu v nádrži, pokiaľ zariadenie nepoužívate.
- UPOZORNENIE: Keď nie je voda vymenená a nádrž nie je správne vyčistená každé 3 dni, môžu sa vo vodnej nádrži vyvinúť mikroorganizmy, ktoré sa môžu nachádzať vo vode alebo v prostredí, kde sa zariadenie používa alebo skladuje, a môžu byť vyhodene do vzduchu, okolie. To môže spôsobiť veľmi vážne zdravotné riziko.
- UPOZORNENIE: Každé tri dni vyprázdňte nádržku na vodu a dolejte čistou vodu. Pred doplnením vyčistite nádrž čerstvou vodou z vodovodu alebo saponátmi. Odstráňte vodný kameň, usadeniny alebo film, ktoré sa vytvorili na bokoch nádrže a na vnútorných povrchoch. Po umytí utrite všetky povrchy dosucha.
5. Pri prvom použití zariadenia môže motor zariadenia vydávať zápach, ktorý sa stratí do týždňa od použitia. V tomto prípade nie je potrebná žiadna vaša akcia.

POPIS PRODUKTU Bezchladový vzduchový chladič MS7856

- | | |
|--|------------------------|
| 1. Rukoväť | 2. Výstup vzduchu |
| 3. Rukoväť ručného ovládača smeru prúdenia vzduchu hore / dole | 4. Predný kryt |
| 5. Ukazovateľ hladiny vody | 6. Zadné puzdro |
| 7. Zadný kryt so sieťou | 8. Odparovací filter |
| 9. Nádrž na vodu | 10. Diaľkové ovládanie |
| 11. Boxy na ľad | 12. Ovládací panel |
| 13. Zámok nádrže na vodu | 14. Západka čerpadla |
| 15. Čerpadlo | 16. Vybranie krytu |
| 17. Západky filtra | |

Diaľkové ovládanie a ovládací panel - obrázok B

- | | |
|------------------------------------|--------------------------------|
| A - tlačidlo napájania | B - tlačidlo režimu |
| C - tlačidlo rýchlosti ventilátora | D - tlačidlo časovača |
| E - tlačidlo čosovača | F - tlačidlo mokrého chladenia |

PREVÁDZKA

K viditeľnému zníženiu teploty výstupného vzduchu dochádza po vložení plastových nádob (11), ktoré sú súčasťou výrobku, do nádrže na vodu (9). Plastové nádoby by ste mali predtým niekoľko hodín zmraziť v mrazničke. Odporúča sa naplniť plastovú nádobu (11) studenou vodou z vodovodu a neprekračovať MAXIMÁLNU hladinu vyznačenú na plastovej nádobe. Obsah plastových nádob je zakázaný konzumovať. Uchovávajúje mimo dosahu detí.

1. Zariadenie umiestnite na suchý a rovný povrch. Ak povrch nie je rovný, zariadenie môže začať vibrovať a vytvárať abnormálny hluk.
2. Otočte poistku vodnej nádrže (13) do vodorovnej polohy, ako je znázornené na obrázkoch C1 a C2. Potom trochu vytiahnite nádržku na vodu (9) zo zadnej časti zariadenia. Pomocou kanvice nalejte čistú, studenú vodu. Dávajte pozor, aby ste neprekročili maximálnu hladinu vyznačenú na ukazovateli hladiny vody (5) na prednej strane zariadenia. Vodu môžete nalievať bez toho, aby ste úplne vytiahli nádržku na vodu. Počas plnenia a čistenia odpojte zariadenie od elektrickej siete.
3. Ak chcete úplne odstrániť nádrž na vodu, pozrite sa na obrázok C3-C6. Najprv vyberte čerpadlo (15) uvoľnením jednej západky čerpadla (14) a vytiahnite nádržku na vodu (8). Čerpadlo nevyťahujte, nechajte ho pripojené k hlavnému krytu. Keď umiestnite nádržku na vodu (9) späť, dávajte pozor, aby ste nestlačili vodné potrubia pripojené k čerpadlu.
4. Po naliatí vody otočte poistku nádržky na vodu (13) do vodorovnej polohy. Po nalievaní vody do nádrže na vodu zariadenie nenakláňajte. Nevberajte nádržku na vodu, pokiaľ je zariadenie zapojené do elektrickej zásuvky.
5. Pripojte zástrčku k zdroju napájania. Teraz je možné na ovládanie zariadenia použiť ovládací panel (12) alebo diaľkové ovládanie (10) (obrázok B). Zapnite zariadenie stlačením vypínača (A). Opätovným stlačením tlačidla (A) zariadenie vypnete.
5. Tlačidlo SPEED (C) vám umožní zmeniť rýchlosť ventilátora. Môžete zvoliť nasledujúce rýchlosti: vysokú, strednú a pomalú. Na ovládacom paneli sa rozsvieti príslušná dióda.
6. Funkcia zvlhčovania vzduchu sa ovláda tlačidlom COOL (F), znižuje teplotu vzduchu spustením vodného čerpadla. Keď je vo vodnej nádrže IBA voda, stlačte tlačidlo (F). Na ovládacom paneli (12) sa rozsvieti príslušná dióda. Okrem toho je pripravená sada dvoch plastových nádob (11). Plastové nádoby (11) by mali byť naplnené studenou vodou z vodovodu a neprekračovať maximálnu úroveň. Potom ich dajte na niekoľko hodín do mrazničky. Potom vložte jednu alebo obe nádoby do nádrže na vodu (9). Na vyfukovanie vlhkého studeného vzduchu musí byť zariadenie naplnené vodou. Keď je zariadenie v prevádzke, pravidelne kontrolujte hladinu vody, aby ste zistili, či je potrebné pridať vodu. Opätovným stlačením tlačidla (F) vypnete fúkanie mokrého studeného vzduchu.
7. Stlačením funkcie oscilácie stlačením tlačidla SWING (E) zaisťujete rovnomerné rozloženie prúdu studeného vzduchu v ľavom a pravom smere. Na ovládacom paneli (12) sa rozsvieti príslušná dióda.
8. Tlačidlo TIMER (D) umožňuje naprogramovanie doby prevádzky s 1hodinovým poklesom od 1 do 8 hodín. Opakovaným stlačením tohto tlačidla sa rozsvieti kombinácia diód na ovládacom paneli (12). Súčet označenia rozsvietených diód znamená zvolenú dobu, po ktorú bude zariadenie fungovať, než sa automaticky vypne.
9. Tlačidlo MODE (B) umožňuje prepínať medzi jedným z 3 režimov fúkania: normálny vietor, prirodzený vietor a režim spánku. Na ovládacom paneli (12) sa rozsvieti zvolená dióda.
- a) Normálny režim: umožňuje užívateľovi manuálne nastaviť rýchlosť ventilátora medzi vysokou, strednou a nízkou.

b) Prirodzený režim: napodobňuje prirodzený účinok vetra opakovaním sekvencie otáčok ventilátora:

* Keď zvolíte nízke otáčky ventilátora, zariadenie sa vypne a opakuje sa v cykle: nízke 4 sekundy + zastavenie 2 sekundy + stredné 4 sekundy + nízke 6 sekúnd + stredné 4 sekundy + zastavenie 2 sekundy + vysoké 2 sekundy + nízke 6 sekúnd + stredné 4 sekundy + minimum 4 sekundy + stred 2 sekundy + minimum 4 sekundy + stred 4 sekundy + minimum 4 sekundy + zastavenie 2 sekundy + maximum 2 sekundy + minimum 4 sekundy + stred 2 sekundy.

* Keď zvolíte strednú rýchlosť ventilátora, zariadenie sa vypne a opakuje sa v cykle: nízke 4 sekundy + stredné 6 sekúnd + nízke 2 sekundy + vysoké 2 sekundy + zastavenie 2 sekundy + stredné 4 sekundy + nízke 4 sekundy + stredné 4 sekundy + nízke 2 sekundy + stred 4 sekundy + nízke 4 sekundy + vysoké 2 sekundy + zastávka 2 sekundy + stredné 4 sekundy + nízke 4 sekundy + vysoké 4 sekundy + zastávka 2 sekundy + stredné 4 sekundy + vysoké 4 sekundy.

* Keď zvolíte vysokú rýchlosť ventilátora, zariadenie sa vypne a opakuje sa v cykle: vysoké 4 sekundy + zastavenie 2 sekundy + stredné 4 sekundy + vysoké 4 sekundy + nízke 4 sekundy + vysoké 2 sekundy + stredné 4 sekundy + vysoké 4 sekundy + zastavenie 2 sekundy + stred 4 sekundy + maximum 6 sekúnd + minimum 4 sekundy + maximum 4 sekundy + stred 4 sekundy + minimum 4 sekundy + maximum 4 sekundy + stred 4 sekundy.

c) Režim spánku: bol navrhnutý tak, aby na zaspanie využíval efekty prirodzeného režimu. Postupne bude znižovať rýchlosť ventilátora v 30 -minútových krokoch:

* Keď zvolíte nízke otáčky ventilátora: ventilátor bude bežať rovnako ako prirodzený režim pri nízkych otáčkach.

* Keď zvolíte stredné otáčky ventilátora: ventilátor bude fúkať 30 minút pri stredných otáčkach v prirodzenom režime a potom sa prepne na prirodzený režim s nízkymi otáčkami.

* Keď zvolíte vysokú rýchlosť ventilátora: ventilátor bude fúkať 30 minút vo vysokorýchlostnom prirodzenom režime, potom sa na 30 minút prepne na prirodzený režim strednej rýchlosti a potom sa prepne na prirodzený režim s nízkou rýchlosťou.

UPOZORNENIE: Ak dávate prednosť konštantným otáčkam ventilátora počas spánku, odporúčame nastaviť ventilátor na normálny režim a zvoliť nízku rýchlosť. Funkciu časovača nastavte, aby sa ventilátor vypol po uplynutí určitého času (napr. 1 hodinu po tom, ako idete spať).

10. Všetky tlačidlá na diaľkovom ovládači (10) majú rovnaké funkcie ako tlačidlá na ovládacom paneli (12). Medzi zariadenie a diaľkový ovládač neumiestňujte žiadne predmety, aby bola zaistená správna komunikácia medzi diaľkovým ovládačom a zariadením. Na spustenie prevádzky diaľkového ovládača (10) vytiahnite inštaláciu fóliu. Ak chcete vymeniť batériu, zatlačte na uvoľňovaciu západku na puzdre diaľkového ovládača, ako je znázornené na obrázku E. Vymeňte za batériu rovnakého typu, dávajte pozor, aby ste ju vrátili späť na správny pól polarizácie, znova zostavte batériu v opačnom poradí.

ČISTENIE A ÚDRŽBA

Pred čistením alebo pridávaním/ vypúšťaním vody alebo pohybom zariadenia zariadenie vždy odpojte zo zásuvky.

1. Po ukončení prevádzky, pred dlhším skladovaním zariadenia, vyprázdňte nádržku na vodu a vyčistíte ju i celé zariadenie.

2. Čistíte mäkkou, suchou handričkou. Nepoužívajte chemické rozpúšťadlá, pretože môžu spôsobiť trvalé poškodenie alebo deformáciu zariadenia.

3. Ak sa zariadenie nepoužíva tri alebo viac mesiacov, vyberte batérie z diaľkového ovládača.

4. Po dlhšej prevádzke môže byť kryt so sieťou (7) a odparovacím filtrom (8) zanesený prachom, čo výrazne ovplyvní výkon chladenia zariadenia. Ak sa voda dlho nevymieňa, môže dôjsť k plesni. Odporúčame vyčistiť kryt sieťou (7) a filtrom (8) raz za 10 dní. Postup čistenia filtra (8) je nasledujúci:

a) Odpojte zariadenie, potiahnite zadný kryt (7) za obidve vybrané (16), aby ste ho odstránili - pozrite sa na obrázok D. Ak chcete odstrániť odparovací filter (8), potiahnite späť západku filtra (17), plast je pružný a vám umožní vybrať odparovací filter (8).

b) Vyčistite odparovací filter (8) pomocou vŕsavača. Kryt so sieťou (7) by sa nemal trieť rukami, aby nedošlo k deformácii siete.

c) Vložte filter (8) a kryt so sieťou (7) späť na miesto.

d) Pred opätovným zapnutím sa uistite, že je nádrž na vodu (8), filter (5) a kryt so sieťou (7) vrátené na správne miesto. Pred sezónnym skladovaním sa uistite, že sú všetky časti suché, a to tak, že na 2 hodiny alebo kratšie spustíte režim ventilátora, aby ste sa presvedčili, že je filter (5) úplne suchý.

4. Pred sezónnym skladovaním vypustite vodu tak, že vyberiete nádržku na vodu (kapitola Prevádzka - bod 2). Na čistenie nádrže na vodu používajte jemné mydlo a vodu. Potom zariadenie a nádrž na vodu úplne vysušte, aby ste predišli poškodeniu vlhkosťou.

5. Pred skladovaním vypustite vodu z plastových nádob (11).

6. Zariadenie zakryte plastovým vreckom, aby bolo chránené pred prachom, a navíňte napájací kábel. Zariadenie skladujte na suchom mieste mimo priameho slnečného žiarenia.

7. Pred ďalším použitím vyčistite zariadenie a nádrž na vodu.

ODVÁPNENIE

1. Vykonajte odvápnovací postup v súlade s pokynmi odvápnovacieho prostriedku uvedenými výrobcom.

2. Používajte odvápnovacie prostriedky na to určené.

3. Vykonajte postup odvápnenia najmenej každé 3 mesiace.

4. Odvápnite vodnú nádržku iba vtedy, keď je zariadenie vypnuté.

TECHNICKÉ DÁTA:

Napájanie 220-240 V ~ 50-60 Hz

Výkon: 80 W

Maximálny výkon: 350 W

Objem nádrže: 2 litre

Spotreba vody: 230 ml / hod

Batéria: CR2025 (3V)

Hlučnosť: 59,4 dB

Prietok vzduchu: 188,4 m³/h

Rozmery produktu: 18,6 x 25,5 x 62,5 cm



Skrbimo za okolje. Kartonska embalaža, prosim darovati na odpadni papir. Polietilenske vreče (PE) mečite v posoda za plastiko. Dotrajane naprave je treba vrniti na ustrezno zbimo mesto, ker vsebovane v napravo nevarne elemente lahko predstavljajo nevarnost za okolje. Električna naprava je treba vrniti kakor, da se omeji njegovo ponovno uporabo in izkoriščenost. Če naprava vsebuje baterio, je treba odstraniti in ločeno dati nazaj na mesta skladiščenja.

СИГУРНОСНИ УСЛОВИ. ВАЖНА УПУТСТВА О СИГУРНОСТИ КОРИШЋЕЊА МОЛИМО ВАС ПАЖЉИВО ПРОЧИТАЈТЕ И ЧУВАЈТЕ ЗА БУДУЋУ РЕФЕРЕНЦУ

Гарантни услови су различити, ако се уређај користи у комерцијалне сврхе.

1. Пре употребе производа пажљиво прочитајте и увек се придржавајте следећих упутстава. Произвођач није одговоран за било какву штету насталу услед злоупотребе.
2. Производ се може користити само у затвореном простору. Не користите производ у сврхе које нису компатибилне са његовом применом.
3. Примјењиви напон је 220-240В, ~ 50Хз. Из сигурносних разлога није прикладно прикључивање више уређаја у једну утичницу.
4. Будите опрезни при употреби у близини деце. Не дозволите деци да се играју са производом. Не дозволите деци или особама које не познају уређај да га користе без надзора.
5. УПОЗОРЕЊЕ: Овај уређај могу да користе деца старија од 8 година и особе са смањеним физичким, сензорним или менталним способностима, или особе без искуства или знања о уређају, само под надзором особе одговорне за њихову безбедност, или ако су упућени у безбедну употребу уређаја и свесни су опасности повезаних са његовим радом. Деца се не би смела играти са уређајем. Чишћење и одржавање уређаја не би требало да изводе деца, осим ако су старија од 8 година и ако се те активности изводе под надзором.
6. Након што користите производ, увек имајте на уму да пажљиво извучите утикач из утичнице држећи утичницу руком. Никада не вуците кабл за напајање !!!
7. Никада не остављајте производ прикључен на извор напајања без надзора. Чак и када је употреба на кратко прекинута, искључите је из мреже, искључите напајање.
8. Никада немојте стављати кабл за напајање, утикач или цео уређај у воду. Никада не излажите производ атмосферским условима, као што је директно сунчево светло, киша итд. Никада не користите производ у влажним условима.
9. Периодично проверавајте стање кабла за напајање. Ако је кабл за напајање оштећен, производ би требало окренути на место професионалног сервиса како би се избегле опасне ситуације.
10. Никада немојте користити производ са оштећеним каблом за напајање, ако је испао или је оштећен на неки други начин или ако не ради исправно. Не покушавајте сами поправити неисправни производ јер то може довести до струјног удара. Оштећени уређај увек окрените на место професионалног сервиса како бисте га поправили. Све поправке могу извршити само овлашћени сервисери. Поправка која је неправилно изведена може изазвати опасне ситуације за корисника.
11. Никада не стављајте производ на или близу врућих или топлих површина или кухињских апарата, попут електричне пећнице или плинског горионика.
12. Никада не користите производ у близини запаљивих материја.
13. Не дозволите да кабл виси преко ивице пулта.
14. Не урањајте јединицу мотора у воду.
15. Да би се обезбедила додатна заштита, препоручљиво је у електрично коло уградити заштитну струју (РЦД) са називном заосталом струјом која не прелази 30МА. Питајте електричара за ово.
16. Немојте уметати прсте или било које друге предмете у решетку кућишта уређаја.
17. Не блокирајте утичницу.
18. Када завршите, пре одлагања испустите воду из уређаја.
19. Ако се уређај не користи дуже време, искључите га из извора напајања.
20. Увек користите нове батерије да бисте заменили испражњене батерије у даљинском управљачу.

21. Не померајте уређај ако је унутрашњи резервоар напуњен водом.
22. Не стављајте никакве предмете на уређај.
23. Уређај се може користити само са исправном вентилацијом.

Пре прве употребе

1. Треба запамтити да висок ниво влажности може погодовати развоју биолошких организама у животној средини.
2. Немојте смочити уређај нити мокро подручје око уређаја. Ако се појави влага, смањите ефикасност функције овлаживања.
3. Немојте дозволити да се улијајући материјали попут телиха, завеса, столњака накупе.
4. Никада не остављајте воду у резервоару када уређај није у употреби.
- УПОЗОРЕЊЕ: Када вода није замењена и резервоар није правилно очишћен свака 3 дана, микроорганизми који могу бити присутни у води или у окружењу у којем се уређај користи или складишти могу се развити у резервоару за воду и испуhati до околине. То може изазвати врло озбиљан здравствени ризик.
- УПОЗОРЕЊЕ: Свака три дана испразните резервоар за воду и допуните га чистом водом. Пре поновног пуњења, очистите резервоар свежеом водом из чесме или детерџентима. Уклоните све наслаге, наслаге или филм који су се формирали на странама резервоара и на унутрашњим површинама. Након прања обришите све површине сувом.
5. Када се уређај користи први пут, мотор уређаја може изазвати мирис који ће се распршити у року од недељу дана употребе. У овом случају није потребно ништа предузети.

ОПИС ПРОИЗВОДА Хладњак ваздуха без лопатица MS7856

- | | |
|---|-------------------------|
| 1. Ручка | 2. Отвор за ваздух |
| 3. Ручка за ручно управљање смером струјања зрака горе / доле | 4. Предње кућиште |
| 5. Мерач нивоа воде | 6. Задње кућиште |
| 7. Задњи поклопац са мрежом. | 8. Филтер за испаравање |
| 9. Резервоар за воду | 10. Даљински управљач |
| 11. Кутије за лед | 12. Контролна табла |
| 13. Брава резервоара за воду | 14. Реза пумпе |
| 15. Пумпа | 16. Удубљење поклопца |
| 17. Резе филтера | |

Даљински управљач и контролна табла - слика В

- | | |
|---------------------------------|-----------------------------|
| А - дугме за напајање | В - дугме за режим |
| С - дугме за брзину вентилатора | Д - дугме за мерење времена |
| Е - дугме тајмера | Ф - дугме за мокро хлађење |

ОПЕРАЦИЈА

Приметно смањење температуре излазног ваздуха долази након стављања у резервоар за воду (9) пластичних посуда (11) које су укључене у производ. Пластичне посуде треба претходно замрзнати у замрзивачу на неколико сати. Препоручује се да се пластична посуда (11) напуни хладном водом из slavине и не прелази МАКС ниво означен на пластичној посуди. Садржај пластичне амбалаже је забрањен за јело. Држати даље од деце.

1. Поставите уређај на суву, равну површину. Ако површина није равна, уређај може почети вибрирати и добијати неуобичајену buku.
2. Окрените у равни положај браву резервоара за воду (13) као што је приказано на сликама Ц1 и Ц2. Затим извучите мало резервоар за воду (9) са задње стране уређаја. Користите врч за сипање чисте, хладне воде, пазите да не пређете максимални ниво означен на мерачу нивоа воде (5) испред уређаја. Можете сипати воду без извлачења резервоара за воду у потпуности. Током пуњења и чишћења, искључите уређај из електричне мреже.
3. Да бисте потпуно уклонили резервоар за воду, погледајте слику Ц3-Ц6. Прво уклоните пумпу (15) отпуштањем једне резе пумпе (14) и извучите резервоар за воду (8). Не извлачите пумпу, нека остане повезана са главним кућиштем. Када вратите резервоар за воду (9) назад, водите рачуна да не стиснете водоводне цеви повезане са пумпом. Након сипања воде, окрените браву резервоара за воду (13) у хоризонтални положај. Немојте нагињати уређај након што сипате воду у резервоар за воду. Не уклањајте резервоар за воду док је уређај прикључен на напајање.
4. Прикључите утикач у извор напајања. Сада се може користити контролна табла (12) или даљински управљач (10) за управљање уређајем (слика Б). Укључите уређај притиском на дугме за напајање (А). Поново притисните дугме (А) да бисте искључили уређај.
5. Дугме СПЕЕД (Ц) вам омогућава да промените брзину вентилатора. Могу се изабрати следеће брзине: висока, средња и спора. Одговарајућа диода на контролној табли ће засветлити.
6. Функцијом овлаживања ваздуха управља дугме ЦООП (Ф), снижава температуру ваздуха покретањем пумпе за воду. Притисните дугме (Ф) само када у резервоару за воду има воде, одговарајућа диода ће засветлети на контролној табли (12). Додатно, причвршћен је сет од два пластична контејнера (11). Пластичне посуде (11) треба пунити хладном водом из slavине и не прелазити максимални ниво. Затим их ставите на неколико сати у замрзивач. Затим ставите један или оба контејнера у резервоар за воду (9). За дување влажног хладног ваздуха уређај мора бити напуњен водом. Док уређај ради, повремено проверавајте ниво воде да бисте видели да ли да додате воду. Поново притисните дугме (Ф) да бисте искључили дување влажног хладног ваздуха.
7. Притискањем функције осциловања притиском на дугме СВИНГ (Е) обезбедите равномерно расподелу струјања хладног ваздуха у левом и десном смеру. Одговарајућа диода ће засветлети на контролној табли (12).
8. Дугме ТИМЕР (Д) омогућава програмирање времена рада са смањењем од 1 сата од 1 до 8 сати. Учестало притискање овог дугмета упалиће комбинацију диода на контролној табли (12). Збир означених диода означава изабрани период рада уређаја пре аутоматског искључивања уређаја.
9. Дугме МОДЕ (Б) омогућава промену између једног од 3 начина дувања: нормалан ветар, природни ветар и режим спавања. Диода за изабрани режим светлиће на контролној табли (12).
- а) Нормални режим: омогућава кориснику да ручно подешава брзину вентилатора између високе, средње и ниске.
- б) Природни режим: имитира деловање природног ветра понављањем секвенце брзине вентилатора:
 - * Када одаберете ниску брзину вентилатора, уређај ће експлодирати и поновити следећи циклус: ниско 4 секунде + заустављање 2 секунде + средње 4 секунде + ниско 6 секунди + средње 4 секунде + заустављање 2 секунде + високо 2 секунде + ниско 6 секунди + средина 4 секунде + ниско 4 секунде + средње 2 секунде + ниско 4 секунде + средње 4 секунде + ниско 4 секунде + заустављање 2 секунде + високо 2 секунде + ниско 4 секунде + средње 2 секунде.
 - * Када одаберете средњу брзину вентилатора, уређај ће експлодирати и поновити доњи циклус: ниско 4 секунде + средње 6

секунди + ниске 2 секунде + високе 2 секунде + заустављање 2 секунде + средње 4 секунде + ниске 4 секунде + средње 4 секунде + ниско 2 секунде + средња 4 секунде + ниска 4 секунде + висока 2 секунде + заустављање 2 секунде + средња 4 секунде + ниска 4 секунде + висока 4 секунде + стоп 2 секунде + средња 4 секунде + висока 4 секунде.

* Када одаберете велику брзину вентилатора, уређај ће експлодирати и поновити следећи циклус: високе 4 секунде + стоп 2 секунде + средње 4 секунде + високе 4 секунде + ниске 4 секунде + високе 2 секунде + средње 4 секунде + високе 4 секунде + заустављање 2 секунде + средња 4 секунде + висока 6 секунди + ниска 4 секунде + висока 4 секунде + средња 4 секунде + ниска 4 секунде + висока 4 секунде + средња 4 секунде + ниска 4 секунде.

ц) Режим спавања: осмишљен је тако да користи ефекте природног режима да заспи. Постепено ће смањивати брзину вентилатора у корацима од 30 минута:

* Када одаберете ниску брзину вентилатора: вентилатор ће радити исто као и природни начин рада при малим брзинама.

* Када изаберете средњу брзину вентилатора: вентилатор ће дувати 30 минута при средњој брзини Природни режим, а затим прећи на Природни режим при малим брзинама.

* Када одаберете велику брзину вентилатора: вентилатор ће дувати 30 минута при великом броју обртаја у природном режиму, затим ће се пребацити на 30 минута при средњем брзином природног режима, затим ће се пребацити у природни режим при ниским брзинама.

НАПОМЕНА: Ако више волите константну брзину вентилатора током спавања, препоручујемо вам да поставите вентилатор у нормални режим и изаберете малу брзину. Помоћу функције тајмера подесите вентилатор да се искључи након протеклог времена (нпр. 1 сат након одласка у кревет).

10. Сви тастери на даљинском управљачу (10) имају исте функције као и тастери на контролној табли (12). Не стављајте никакве предмете између уређаја и даљинског управљача како бисте осигурали правилну комуникацију између даљинског управљача и уређаја. За покретање даљинског управљача (10) извучите филм за уградњу. Да бисте заменили батерију, притисните језичак за ослобађање на кућишту даљинског управљача као што је приказано на слици Е. Замените батеријом истог типа, пазите да је вратите на одговарајући пол поларизације, а затим склопите батерију обрнутим редоследом.

ЧИШЋЕЊЕ И ОДРЖАВАЊЕ

Увек искључите уређај из утичнице пре него што почнете са чишћењем или додавањем/ испуштањем воде или померањем уређаја.

1. Након завршетка рада, пре него што уређај одложите на дуже време, испразните резервоар за воду и очистите њега и цео уређај.

2. Очистите меком, сувом крпом. Не користите хемијске раствараче јер могу изазвати трајно оштећење или деформацију уређаја.

3. Ако се уређај не користи три или више месеци, извадите батерије из даљинског управљача.

4. Након дужег рада, поклопац са мрежом (7) и филтером за испаравање (8) може бити зачепљен прашином, што ће у великој мери утицати на перформансе хлађења уређаја. Ако се вода дуго не мења, можда постоји плијесан. Предлажемо чишћење поклопаца мрежом (7) и филтером (8) сваких 10 дана. Поступак чишћења филтера (8) је следећи:

а) Искључите уређај, повуците задњи поклопац (7) за оба удубљења (16) да бисте га уклонили - погледајте слику Д. Да бисте уклонили филтер за испаравање (8), повуците резу филтера (17), пластика је флексибилна и ће вам омогућити да извадите филтер за испаравање (8).

б) Очистите филтер за испаравање (8) усисивачем. Поклопац са мрежом (7) не треба трљати рукама како би се избегла деформација мреже.

ц) Вратите филтер (8) и поклопац са мрежом (7) на место.

д) Пре поновног укључивања проверите да ли су резервоар за воду (8), филтер (5) и поклопац са мрежом (7) замењени у исправном положају. Пре сезонског складиштења проверите да ли су сви делови суви тако што ћете укључити режим вентилатора 2 сата или краће како бисте били сигурни да је филтер (5) потпуно сув.

4. Испустите воду пре сезонског складиштења уклањањем резервоара за воду (поглавље Рад - тачка 2), За чишћење резервоара за воду користите благи сапун и воду. Затим потпуно осушите уређај и резервоар за воду како бисте избегли оштећења од влаге.

5. Испустите воду из пластичних посуда (11) пре складиштења.

6. Покријте уређај пластичном кесом како бисте заштитили од прашине и намотајте кабл за напајање. Складиштите уређај на сувом месту, заштићено од директне сунчеве светлости.

7. Очистите уређај и резервоар за воду пре следеће употребе.

ДЕСЦАЛИНГ

1. Обавите поступак уклањања каменца у складу са упутствима средства за уклањање каменца које је навео произвођач.

2. Користите за ову намену средства за уклањање каменца.

3. Проведите поступак уклањања каменца најмање свака 3 месеца.

4. Уклоните каменац из резервоара за воду само када је уређај искључен.

ТЕХНИЧКИ ПОДАЦИ:

Напајање 220-240В ~ 50-60 Хз

Снага: 80 В

Максимална снага: 350 В

Капацитет резервоара: 2 литра

Потрошња воде: 230 мл / сат

Батерија: ЦР2025 (3В)

Ниво буке: 59,4дБ

Запремина ваздуха: 188,4м3/х

Димензије производа: 18,6 к 25,5 к 62,5 см



За заштиту животне средине: молимо вас да одвојите картонску кутију и пластичне кесе и одложите их у одговарајуће канте за смеће. Коришћени уређај треба да буде испоручен на наменске сакупљане тачке због оштрих компоненти, што може утицати на животну средину. Немојте одлагати овај уређај у заједничку корпу за отпатке.

SIKKERHEDSBETINGELSER. VIGTIGE ANVISNINGER OM BRUG SIKKERHED LÆS VENLIGST OMHOLDIGT OG HOLD DIG TIL FREMTIDIG REFERENCE

Garantibetingelserne er forskellige, hvis enheden bruges til kommercielle formål.

1. Inden du bruger produktet, bedes du læse omhyggeligt og altid følge følgende instruktioner. Producenten er ikke ansvarlig for skader som følge af misbrug.
2. Produktet må kun bruges indendørs. Brug ikke produktet til noget formål, der ikke er kompatibelt med dets anvendelse.
3. Den gældende spænding er 220-240V, ~ 50Hz. Af sikkerhedsmæssige årsager er det ikke hensigtsmæssigt at tilslutte flere enheder til en stikkontakt.
4. Vær forsigtig, når du bruger børn. Lad ikke børnene lege med produktet. Lad ikke børn eller personer, der ikke kender enheden, bruge den uden opsyn.
5. ADVARSEL: Denne enhed må kun bruges af børn over 8 år og personer med nedsatte fysiske, sensoriske eller mentale evner, eller personer uden erfaring eller kendskab til enheden, kun under opsyn af en person, der er ansvarlig for deres sikkerhed, eller hvis de blev instrueret i sikker brug af enheden og er klar over de farer, der er forbundet med dens betjening. Børn bør ikke lege med enheden. Rengøring og vedligeholdelse af enheden bør ikke udføres af børn, medmindre de er over 8 år, og disse aktiviteter udføres under opsyn.
6. Når du er færdig med at bruge produktet, skal du altid huske at tage stikket forsigtigt ud af stikkontakten, der holder stikkontakten med din hånd. Træk aldrig i strømkablet !!!
7. Lad aldrig produktet være tilsluttet strømkilden uden opsyn. Selv når brugen afbrydes i en kort periode, skal du slukke for den fra netværket, trække stikket ud.
8. Sæt aldrig strømkablet, stikket eller hele enheden i vandet. Udsæt aldrig produktet for atmosfæriske forhold såsom direkte sollys eller regn osv. Brug aldrig produktet under fugtige forhold.
9. Kontroller periodisk strømkablets tilstand. Hvis strømkablet er beskadiget, skal produktet vendes til et professionelt servicested, der skal udskiftes for at undgå farlige situationer.
10. Brug aldrig produktet med et beskadiget strømkabel, eller hvis det blev tabt eller beskadiget på anden måde, eller hvis det ikke fungerer korrekt. Forsøg ikke selv at reparere det defekte produkt, da det kan føre til elektrisk stød. Vend altid den beskadigede enhed til et professionelt servicested for at reparere den. Alle reparationer kan kun udføres af autoriserede servicepersonale. Reparationen, der blev udført forkert, kan forårsage farlige situationer for brugeren.
11. Læg aldrig produktet på eller tæt på de varme eller varme overflader eller køkkenmaskiner som f.eks. Den elektriske ovn eller gasbrænder.
12. Brug aldrig produktet tæt på brændbare stoffer.
13. Lad ikke ledningen hænge ud over kanten af CD-disken.
14. Undlad at nedsænke motorenheden i vand.
15. For at give yderligere beskyttelse anbefales det at installere en fejlstrømsindretning (RCD) i det elektriske kredsløb med en nominel fejlstrøm på ikke over 30mA. Spørg en elektriker om dette.
16. Undlad at indsætte fingre eller andre genstande i enhedens husgitter.

17. Bloker ikke stikkontakten.
18. Når det er gjort, før du lægger det væk, skal du dræne vand fra enheden.
19. Hvis enheden ikke bruges i lang tid, skal du tage stikket ud af stikkontakten.
20. Brug altid nye batterier til at udskifte de afladede batterier i fjernbetjeningen.
21. Flyt ikke enheden, når den indre tank er fyldt med vand.
22. Læg ikke genstande på enheden.
23. Enheden kan kun bruges med korrekt fungerende ventilation.

Inden første brug

1. Det skal huskes, at et højt fugtighedsniveau kan favorisere udviklingen af biologiske organismer i miljøet.
2. Våd ikke enheden eller våd området omkring enheden. Hvis der forekommer fugt, reduceres effektiviteten af befugtningfunktionen.
3. Lad ikke absorberende materialer som tæpper, gardiner, duge blive våde.
4. Efterlad aldrig vand i tanken, når enheden ikke er i brug.
 - ADVARSEL: Når vandet ikke udskiftes, og tanken ikke rengøres ordentligt hver 3. dag, kan mikroorganismer, der kan være til stede i vandet eller i det miljø, hvor enheden bruges eller opbevares, udvikle sig i vandtanken og blæse ud til omgivelserne. Dette kan forårsage en meget alvorlig sundhedsrisiko.
 - ADVARSEL: Tøm vandtanken hver tredje dag, og fyld op med rent vand. Inden påfyldning skal tanken rengøres med frisk postevand eller med rengøringsmidler. Fjern eventuel skala, aflejringer eller film, der er dannet på tankens sider og på de indvendige overflader. Efter vask, tørres alle overflader tørre.
5. Når enheden bruges første gang, kan enhedens motor producere en lugt, der forsvinder inden for en uge efter brug. Der er ingen krav om din handling i dette tilfælde.

PRODUKTBESKRIVELSE Bladløs luftkøler MS7856

- | | |
|--|-------------------------|
| 1. Håndtag | 2. Luftudgang |
| 3. Håndtag til manuel op / ned luftstrømningskontrol | 4. Fronthus |
| 5. Vandstandsmåler | 6. Baghus |
| 7. Bagside med net | 8. Fordampningsfilter |
| 9. Vandtank | 10. Fjernbetjening |
| 11. Isbokse | 12. Kontrolpanel |
| 13. Lås til vandtank | 14. Pumpelås |
| 15. Pumpe | 16. Dækslets fordybning |
| 17. Filterlåse | |

Fjernbetjening og kontrolpanel - billede B

- | | |
|------------------------------|-------------------------|
| A - tænd / sluk -knap | B - tilstandsknap |
| C - knap til blæserhastighed | D - timer -knap |
| E - timer knap | F - knap til våd køling |

OPERATION

En mærkbar reduktion i temperaturen af udblæsningsluften sker efter, at de plastbeholdere (11), der er inkluderet i produktet, er sat i vandtanken (9). Plastbeholderne skal tidligere fryses i fryseren i et par timer. Det anbefales at fylde plastbeholderen (11) med koldt postevand og må ikke overskride det MAX -niveau, der er angivet på plastbeholderen. Indholdet af plastbeholder er forbudt at spise. Holdes væk fra børn.

1. Anbring enheden på en tør, flad overflade. Hvis overfladen ikke er flad, kan enheden begynde at vibrere og få unormal støj.
2. Drej vandtanklåsen (13) til flad position som vist på billederne C1 og C2. Træk derefter vandtanken (9) lidt ud fra bagsiden af enheden. Brug kanden til at hælde klart, koldt vand, pas på ikke at overskride det maksimale niveau, der er markeret ved vandstandsmåleren (5) foran enheden. Du kan hælde vand uden at trække vandbeholderen helt ud. Under påfyldning og rengøring skal apparatet afbrydes fra lysnettet.
3. For at fjerne vandtanken helt skal du se på billede C3-C6. Fjern først pumpen (15) ved at slippe en pumpelås (14), og træk vandtanken (8) ud. Træk ikke pumpen ud, lad den forblive forbundet med hovedhuset. Når du placerer vandtanken (9) tilbage, skal du være opmærksom på ikke at klemme vandrørene, der er forbundet til pumpen. Efter vandhældning drejes vandtanklåsen (13) til vandret position. Vip ikke enheden efter at have hældt vandet i vandtanken. Fjern ikke vandtanken, mens enheden er tilsluttet strømforsyningen.
4. Tilslut stikket til strømforsyningen. Nu kan betjeningspanelet (12) eller fjernbetjeningen (10) bruges til at betjene enheden (figur B). Tænd for enheden ved at trykke på tænd / sluk -knappen (A). Tryk på knappen (A) igen for at slukke for enheden.
5. Knappen SPEED (C) giver dig mulighed for at ændre ventilatorens hastighed. Følgende hastigheder kan vælges: høj, mellem og langsom. Den tilsvarende diode på kontrolpanelet lyser.
6. Luftbefugtningfunktionen betjenes med COOL -knappen (F), den sænker luftens temperatur ved at køre vandpumpen. Tryk på knappen

- (F), når der KUN er vand inde i vandtanken, den tilhørende diode lyser på betjeningspanelet (12). Derudover er et sæt med to plastbeholdere (11) fastgjort. Plastbeholdere (11) skal fyldes med koldt vand fra hanen og må ikke overskride maksimumsniveauet. Sæt dem derefter på flere timer inde i fryseren. Læg derefter en eller begge beholdere i vandtanken (9). For at blæse den våde kølige luft skal enheden være fyldt med vand. Når enheden er i drift, skal du regelmæssigt kontrollere vandstanden for at se, om der skal tilføjes vand. Tryk på knappen (F) igen for at slukke for den våde kolde luft, der blæser.
7. Tryk på oscillationsfunktionen ved at trykke på SWING -knappen (E) for at sikre en jævn fordeling af kold luftstrøm i venstre og højre retning. Den tilsvarende diode lyser på kontrolpanelet (12).
8. TIMER -knappen (D) gør det muligt at programmere driftstiden med 1 times fald fra 1 til 8 timer. Gentaget tryk på denne knap lyser en kombination af dioder på betjeningspanelet (12). Summen af oplyste dioder -mærkning betyder den valgte periode, enheden vil fungere, før enheden slukkes automatisk.
9. MODE -knappen (B) giver mulighed for at skifte mellem en af 3 blæsemåder:
normal vind, naturlig vind og dvaletilstand. Udvalgt diode lyser på kontrolpanelet (12).
- a) Normal tilstand: giver brugeren mulighed for manuelt at justere ventilatorens hastighed mellem høj, medium og lav.
b) Naturlig tilstand: efterligner den naturlige vindaktion ved at gentage ventilatorhastighedssekvensen:
* Når du vælger den lave blæserhastighed, blæser enheden ud og gentager under cyklus: lav 4 sekunder + stop 2 sekunder + mellem 4 sekunder + lav 6 sekunder + midterste 4 sekunder + stop 2 sekunder + høj 2 sekunder + lav 6 sekunder + midte 4 sekunder + lav 4 sekunder + midterste 2 sekunder + lav 4 sekunder + midterste 4 sekunder + lav 4 sekunder + stop 2 sekunder + høj 2 sekunder + lav 4 sekunder + midterste 2 sekunder.
- * Når du vælger den midterste blæserhastighed, blæser enheden ud og gentager under cyklus: lav 4 sekunder + midterste 6 sekunder + lav 2 sekunder + høj 2 sekunder + stop 2 sekunder + midterste 4 sekunder + lav 4 sekunder + midterste 4 sekunder + lav 2 sekunder + midterste 4 sekunder + lav 4 sekunder + høj 2 sekunder + stop 2 sekunder + midterste 4 sekunder + lav 4 sekunder + høj 4 sekunder + stop 2 sekunder + midterste 4 sekunder + høj 4 sekunder.
- * Når du vælger den hurtige blæserhastighed, blæser enheden ud og gentager under cyklus: høj 4 sekunder + stop 2 sekunder + midterste 4 sekunder + høj 4 sekunder + lav 4 sekunder + høj 2 sekunder + midterste 4 sekunder + høj 4 sekunder + stop 2 sekunder + midterste 4 sekunder + høj 6 sekunder + lav 4 sekunder + høj 4 sekunder + midterste 4 sekunder + lav 4 sekunder + høj 4 sekunder + midterste 4 sekunder.
- c) Dvaletilstand: blev designet til at bruge virkningerne af Natural Mode til at falde i søvn. Det vil gradvist reducere ventilatorens hastighed i trin på 30 minutter:
- * Når du vælger lav blæserhastighed: blæseren kører det samme som lav hastighed Natural Mode.
* Når du vælger den midterste blæserhastighed: blæseren blæser 30 minutter ved middelhastighed Natural Mode og skifter derefter til lav hastighed Natural Mode.
* Når du vælger den høje blæserhastighed: blæseren blæser 30 minutter ved høj hastighed Naturlig tilstand, derefter skifter den i 30 minutter ved middel hastighed Naturlig tilstand, derefter skifter den til lav hastighed Naturlig tilstand.

- BEMÆRK:** Hvis du foretrækker en konstant blæserhastighed, mens du sover, anbefaler vi, at du indstiller blæseren til normal tilstand og vælger lav hastighed. Brug timerfunktionen til at indstille blæseren til at slukke efter en forløbet tid (f.eks. 1 time efter du går i seng).
10. Alle knapper på fjernbetjeningen (10) har samme funktioner som knapperne på betjeningspanelet (12). Anbring ikke genstande mellem enheden og fjernbetjeningen for at sikre korrekt kommunikation mellem fjernbetjeningen og enheden. Træk installationsfilmen ud for at starte fjernbetjeningen (10). For at udskifte batteriet skal du trykke på udløsertappen på fjernbetjeningens hus som vist på billede E. Udskift med et batteri af samme type, vær opmærksom på at placere det tilbage i den korrekte polæringspol, saml batteriet igen i omvendt rækkefølge.

RENGØRING OG VEDLIGEHOLDELSE

Tag altid stikket ud af enheden, før du begynder at rengøre eller tilføje/ tømme vand eller flytte enheden.

- Efter endt drift, før enheden opbevares i længere tid, skal du tømme vandtanken og rengøre den og hele enheden.
- Rengør med en blød, tør klud. Brug ikke kemiske opløsningsmidler, da de kan forårsage permanent skade eller deformation af enheden. Hvis enheden ikke bruges i tre eller flere måneder, skal batterierne tages ud af fjernbetjeningen.
- Efter lang tids drift kan dækslet med net (7) og fordampningsfilter (8) være tilstoppet med støvet, hvilket i høj grad vil påvirke enhedens ydelse ved køling. Hvis vandet ikke udskiftes længe, kan der være skimmelsvamp. Vi foreslår at rengøre dækslet med net (7) og filter (8) en gang hver 10. dag. Rengøringsproceduren for filteret (8) er som følger:
 - Træk stikket ud, træk bagdækslet (7) i begge fordybninger (16) for at fjerne det - se billede D. For at fjerne fordampningsfilteret (8) træk filterlåsen (17) tilbage, plasten er fleksibel og giver dig mulighed for at fjerne fordampningsfilteret (8).
 - Rengør fordampningsfilteret (8) med en støvsuger. Dækslet med net (7) bør ikke gnides med hænderne for at undgå netdeformation.
 - Sæt filteret (8) og dækslet med net (7) på plads igen.
 - Sørg for, at vandtanken (8), filteret (5) og dækslet med net (7) er udskiftet i den korrekte position, inden du tænder igen. Inden sæsonopbevaring skal du kontrollere, at alle dele er tørre ved at køre blæsertilstand i 2 timer eller kortere for at sikre, at filteret (5) er helt tørt.
- Tøm vandet før sæsonopbevaring ved at fjerne vandtanken (kapitel Drift - punkt 2). Brug mild sæbe og vand til at rengøre vandtanken. Tør derefter enheden og vandtanken helt for at undgå fugtskader.
- Dræn vandet fra plastbeholderne (11) inden opbevaring.
- Dæk enheden til med en plastpose for at beskytte mod støv og spole netledningen. Opbevar enheden på et tørt sted uden direkte sollys.
- Rengør enheden og vandtanken inden næste brug.

AFKALKNING

1. Udfør afkalkningsproceduren i overensstemmelse med instruktioner fra det afkalkningsmiddel, der er angivet af producenten.
2. Brug afkalkningsmidler beregnet til dette formål.
3. Udfør afkalkningsproceduren mindst hver 3. måned.
4. Afkalk kun vandtanken, når enheden er slukket.

TEKNISK DATA:

Strømforsyning 220-240V ~ 50-60 Hz

Effekt: 80 W.

Effekt Max: 350 W

Beholdervolumen: 2 liter

Vandforbrug: 230 ml / time

Batteri: CR2025 (3V)

Støjniveau: 59,4dB

Luftmængde: 188,4m³/t

Produktmål: 18,6 x 25,5 x 62,5 cm



Af hensyn til miljøet . Venligst overfør papemballage til affaldspapir. Hæld polyethylenposer (PE) i plastbeholderen Slidt enhed skal returneres til det relevante punkt opbevaring, fordi det er farligt i enheden ingredienser kan udgøre en trussel for miljøet. Den elektriske enhed skal overleveres for at begrænse dets genanvendelse og brug. Hvis i enheden der er batterier, fjern dem og vende tilbage til punktet opbevares separat.

УКРАЇНСЬКА

УМОВИ БЕЗПЕКИ. ВАЖЛИВІ ВКАЗІВКИ З БЕЗПЕКИ ВИКОРИСТАННЯ ПРОЧИТАЙТЕ УВАЖНО І БЕРЕЖІТЬ ДЛЯ МАЙБУТНЬОЇ ДОВІДКИ

Гарантійні умови відрізняються, якщо пристрій використовується в комерційних цілях.

1. Перед використанням продукту уважно прочитайте та завжди дотримуйтесь наведених нижче вказівок. Виробник не несе відповідальності за будь -які пошкодження внаслідок будь -якого неправильного використання.
2. продукт можна використовувати тільки в приміщенні. Не використовуйте виріб у будь -яких цілях, несумісних з його застосуванням.
3. Допустима напруга 220-240 В, ~ 50 Гц. З міркувань безпеки недоцільно підключати кілька пристроїв до однієї розетки.
4. Будьте обережні при використанні з дітьми. Не дозволяйте дітям грати з виробом. Не дозволяйте дітям або людям, які не знають пристрою, користуватися ним без нагляду.
5. **ПОПЕРЕДЖЕННЯ:** Цей пристрій можна використовувати дітям старше 8 років та особам зі зниженими фізичними, сенсорними чи розумовими можливостями, або особам без досвіду та знань про пристрій, лише під наглядом особи, відповідальної за їх безпеку, або якщо вони отримали вказівки щодо безпечного використання пристрою та усвідомлюють небезпеку, пов'язану з його експлуатацією. Діти не повинні грати з пристроєм. Очищення та обслуговування приладу не повинні проводити діти, якщо вони не досягли 8 -річного віку, і ці заходи проводяться під наглядом.
6. Після завершення використання виробу завжди пам'ятайте про те, щоб обережно вийняти вилку з розетки, тримаючи розетку рукою. Ніколи не тягніть за кабель живлення !!!
7. Ніколи не залишайте виріб підключеним до джерела живлення без нагляду. Навіть якщо користування переривається на короткий час, вимкніть його з мережі та відключіть живлення.
8. Ніколи не кладіть у воду кабель живлення, вилку або весь пристрій. Ніколи не

піддавайте виріб атмосферним умовам, таким як пряме сонячне світло, дощ тощо. Ніколи не використовуйте виріб у вологих умовах.

9. Періодично перевіряйте стан кабелю живлення. Якщо кабель живлення пошкоджений, виріб слід повернути до місця професійного обслуговування для заміни, щоб уникнути небезпечних ситуацій.

10. Ніколи не використовуйте виріб із пошкодженим кабелем живлення, його падінням або пошкодженням будь-яким іншим способом або якщо він не працює належним чином. Не намагайтесь самостійно відремонтувати дефектний виріб, оскільки це може призвести до ураження електричним струмом. Завжди повертайте пошкоджений пристрій у місце професійного обслуговування, щоб відремонтувати його. Всі ремонтні роботи можуть виконувати тільки авторизовані спеціалісти сервісного центру.

Неправильно зроблений ремонт може спричинити небезпечні ситуації для користувача.

11. Ніколи не кладіть виріб на гарячі або теплі поверхні або біля них, наприклад, електричну духовку або газовий пальник або близько до них.

12. Ніколи не використовуйте виріб поблизу горючих речовин.

13. Не дозволяйте шнуру звисати за край лічильника.

14. Не занурюйте двигун у воду.

15. Для забезпечення додаткового захисту доцільно встановити в електричну ланцюг пристрій диференціального струму (УЗО) з номінальним залишковим струмом, що не перевищує 30 мА. Попросіть про це електрика.

16. Не вставляйте пальці або інші предмети в решітку корпусу пристрою.

17. Не блокуйте розетку.

18. Після того, як прибрати, злийте воду з пристрою.

19. Якщо пристрій тривалий час не використовується, відключіть його від джерела живлення.

20. Завжди використовуйте нові батареї для заміни розряджених батарей у пульті дистанційного керування.

21. Не рухайте пристрій, якщо внутрішній резервуар заповнений водою.

22. Не кладіть на пристрій будь-які предмети.

23. Пристрій можна використовувати лише при належній роботі вентиляції.

Перед першим використанням

1. Слід пам'ятати, що високий рівень вологості може сприяти розвитку біологічних організмів у навколишньому середовищі.

2. Не намокайте пристрій та не змочуйте область навколо пристрою. Якщо з'являється волога, зменшіть ефективність функції зволоження.

3. Не допускайте намокання вбираючих матеріалів, таких як килими, штори, скатертини.

4. Ніколи не залишайте воду в резервуарі, коли пристрій не використовується.

• **ПОПЕРЕДЖЕННЯ:** Якщо воду не замінюють, а резервуар не очищається належним чином кожні 3 дні, мікроорганізми, які можуть бути присутніми у воді або в середовищі, де пристрій використовується або зберігається, можуть розвинути в резервуарі для води і вилетіти до оточення. Це може спричинити дуже серйозний ризик для здоров'я.

• **УВАГА:** Кожні три дні спорожняйте резервуар для води та доливайте його чистою водою. Перед повторним наповненням промийте бак чистою водою з-під крана або м'якими засобами. Видаліть накіп, відкладення або плівку, які утворилися на бортах ємності та на внутрішніх поверхнях. Після прання витріть всі поверхні насухо.

5. При першому використанні пристрою двигун пристрою може викликати запах, який зникне протягом тижня використання. У цьому випадку ваших дій не потрібно.

ОПИС ПРОДУКТУ Охолоджувач повітря без лопатей MS7856

1. Ручка

2. Випуск повітря

3. Ручка для ручного регулювання напрямку потоку повітря вгору / вниз.
5. Індикатор рівня води
7. Задня кришка з сіткою
9. Резервуар для води
11. Коробки для льоду
13. Замок резервуара для води
15. Насос
17. Засувки фільтра

4. Передній корпус
6. Задній корпус
8. Фільтр випаровування
10. Пульт дистанційного керування
12. Панель управління
14. Засувка насоса
16. Вііймка кришки

Пульт дистанційного керування та панель управління - малюнок В

A - кнопка живлення

B - кнопка режиму

C - кнопка швидкості вентилятора

D - кнопка таймера

E - кнопка таймера

F - кнопка вологого охолодження

РОБОТА

Помітне зниження температури повітря на виході відбувається після того, як в резервуар для води (9) вкладені у виріб пластикові контейнери (11). Пластикові контейнери слід попередньо заморозити в морозильній камері на кілька годин. Рекомендується наповнювати пластиковий контейнер (11) холодною водою з -під крана і не перевищувати рівень MAX, зазначений на пластиковому контейнері. Вміст пластикової тари заборонено їсти. Зберігати подальше від дітей.

1. Покладіть пристрій на суху, рівну поверхню. Якщо поверхня не рівна, пристрій може почати вібрувати і отримувати ненормальний шум.
2. Поверніть фіксований резервуар для води (13) у плоске положення, як показано на малюнках C1 та C2. Потім трохи витягніть резервуар для води (9) із задньої панелі пристрою. Використовуйте глечик для наливання чистої холодної води, будьте обережні, щоб не перевищити максимальний рівень, зазначений на манометрі (5) на передній панелі пристрою. Ви можете наливати воду, не витягуючи повністю резервуар для води. Під час наповнення та чищення від'єднайте пристрій від електромережі.
3. Щоб повністю зняти резервуар для води, подивіться на малюнок C3-C6. Спочатку зніміть насос (15), звільнивши одну засувку насоса (14), і витягніть резервуар для води (8). Не витягуйте насос, нехай він залишається підключеним до основного корпусу. Коли ви встановлюєте резервуар для води (9) назад, зверніть увагу, щоб не стискати водопровідні труби, підключені до насоса. Після розливу води поверніть замок резервуара для води (13) у горизонтальне положення. Не нахиляйте пристрій після того, як ви налили воду в резервуар для води. Не виймайте резервуар для води, коли пристрій підключено до мережі живлення.
4. Підключіть вилку до джерела живлення. Тепер для управління пристроєм можна використовувати панель управління (12) або пульт дистанційного керування (10) (малюнок В). Увімкніть пристрій, натиснувши кнопку живлення (А). Натисніть кнопку (А) ще раз, щоб вимкнути пристрій.
5. Кнопка SPEED (С) дозволяє змінювати швидкість вентилятора. Можна вибрати такі швидкості: висока, середня та повільна. Засвітиться відповідний діод на панелі управління.
6. Функція зволоження повітря управляється кнопкою ОХЛАЖДЕННЯ (F), вона знижує температуру повітря, запускаючи водяний насос. Натисніть кнопку (F) ТІЛЬКИ, коли у резервуарі для води є вода, відповідний діод засвітиться на панелі управління (12). Крім того, додається комплект з двох пластикових контейнерів (11). Пластикові контейнери (11) повинні бути заповнені холодною водою з -під крана і не перевищувати максимальний рівень. Потім покладіть їх на кілька годин у морозильну камеру. Потім покладіть одну або обидві ємності в резервуар для води (9). Для продування мокрого прохолодного повітря пристрій необхідно заповнити водою. Коли пристрій працює, періодично перевіряйте рівень води, щоб побачити, чи потрібно додавати воду. Знову натисніть кнопку (F), щоб вимкнути продування мокрого холодного повітря.
7. Натискаючи функцію коливання, натискаючи кнопку SWING (E), щоб забезпечити рівномірний розподіл потоку холодного повітря в лівому та правому напрямку. Відповідний діод засвітиться на панелі управління (12).
8. Кнопка ТАЙМЕР (D) дозволяє програмувати тривалість роботи із зменшенням на 1 годину від 1 до 8 годин. Повторне натискання цієї кнопки засвітить комбінацію діодів на панелі управління (12). Сума маркування засвічених діодів означає вибраний період роботи пристрою до автоматичного вимкнення пристрою.
9. Кнопка РЕЖИМ (B) дозволяє змінювати один з 3 режимів продування: нормальний вітер, природний вітер і режим сну. Діод обраного режиму засвітиться на панелі управління (12).
- a) Звичайний режим: дозволяє користувачеві вручну регулювати швидкість вентилятора між високою, середньою та низькою.
- б) Природний режим: імітує дію природного вітру, повторюючи послідовність обертів вентилятора:
 - * При виборі низької швидкості вентилятора пристрій вибухає і повторюється нижче циклу: низький 4 секунди + зупинка 2 секунди + середній 4 секунди + низький 6 секунд + середній 4 секунди + зупинка 2 секунди + високий 2 секунди + низький 6 секунд + середній 4 секунди + низький 4 секунди + середній 2 секунди + низький 4 секунди + середній 4 секунди + низький 4 секунди + середній 4 секунди + зупинка 2 секунди + високий 2 секунди + низький 4 секунди + середній 2 секунди.
 - * При виборі середньої швидкості вентилятора пристрій продуває і повторюється нижче циклу: низький 4 секунди + середній 6 секунд + низький 2 секунди + високий 2 секунди + зупинка 2 секунди + середній 4 секунди + низький 4 секунди + середній 4 секунди + низький 2 секунди + середні 4 секунди + низькі 4 секунди + високий 2 секунди + зупинка 2 секунди + середня 4 секунди + низька 4 секунди + висока 4 секунди + зупинка 2 секунди + середня 4 секунди + висока 4 секунди.
 - * При виборі швидкої швидкості вентилятора пристрій здувається і повторюється нижче циклу: високий 4 секунди + зупинка 2 секунди + середня 4 секунди + висока 4 секунди + низька 4 секунди + висока 2 секунди + середня 4 секунди + висока 4 секунди + зупинка 2 секунди + середні 4 секунди + високий 6 секунд + низькі 4 секунди + високий 4 секунди + середні 4 секунди + низькі 4

секунди + високі 4 секунди + середні 4 секунди.

в) Режим сну: був розроблений для використання ефектів природного режиму для засипання. Він буде поступово зменшувати швидкість вентилятора з кроком 30 хвилин:

* При виборі низької швидкості вентилятора: вентилятор працюватиме так само, як і низькошвидкісний природний режим.

* При виборі середньої швидкості вентилятора: вентилятор буде дути 30 хвилин на середній швидкості природного режиму, потім зменшиться на низькошвидкісний природний режим.

* При виборі високої швидкості вентилятора: вентилятор буде дути 30 хвилин на високошвидкісному природному режимі, потім він увімкнеться на 30 хвилин на середньому швидкості природного режиму, потім він перейде на низькошвидкісний природний режим.

ПРИМІТКА: Якщо ви віддасте перевагу постійній швидкості вентилятора під час сну, ми рекомендуємо встановити вентилятор у звичайний режим та вибрати низьку швидкість. Використовуйте функцію таймера, щоб налаштувати вимкнення вентилятора через деякий час (наприклад, через 1 годину після того, як ви лягаєте спати).

10. Усі кнопки на пульті дистанційного керування (10) мають ті ж функції, що і кнопки на панелі управління (12). Не кладіть жодних предметів між пристроєм та пультом дистанційного керування, щоб забезпечити належний зв'язок між пультом дистанційного керування та пристроєм. Для початку роботи пульта дистанційного керування (10) витягніть інсталяційну плівку. Щоб замінити акумулятор, натисніть на фіксатор на корпусі пульта дистанційного керування, як показано на малюнку E. Замініть його на батарею такого ж типу, зверніть увагу на те, щоб встановити її назад у правильний полюс поляризації, зібрати батарею у зворотному порядку.

ОЧИЩЕННЯ ТА ОБСЛУГОВУВАННЯ

Завжди від'єднуйте пристрій від мережі, перш ніж приступати до чищення або додавання/зливу води або руху пристрою.

1. Після завершення операції, перед тим, як зберігати пристрій на тривалий час, спорожніть резервуар для води та очистіть його та весь пристрій.

2. Очистіть м'якою сухою тканиною. Не використовуйте хімічні розчинники, оскільки вони можуть спричинити постійні пошкодження або деформацію пристрою.

3. Якщо пристрій не використовується протягом трьох і більше місяців, вийміть батарейки з пульта дистанційного керування.

4. Після тривалої роботи кришка з сіткою (7) та фільтром випаровування (8) може бути засмічена пилом, що значно вплине на продуктивність охолодження пристрою. Якщо тривалий час не міняти воду, може виникнути ціпля. Ми пропонуємо чистити кришку сіткою (7) та фільтром (8) раз на 10 днів. Процедура очищення фільтра (8) виглядає наступним чином:

а) Відключіть пристрій від мережі, потягніть за задню кришку (7) за обидві виїмки (16), щоб зняти її - подивіться на малюнок D. Щоб зняти фільтр випаровування (8), відсуньте засувку фільтра (17), пластик гнучкий і дозволить вам виїняти фільтр випаровування (8).

б) Очистіть фільтр випаровування (8) за допомогою пилососа. Кришку з сіткою (7) не можна терти руками, щоб уникнути деформації сітки.

в) Встановіть фільтр (8) та кришку з сіткою (7) на місце.

д) Перед повторним увімкненням переконайтеся, що резервуар для води (8), фільтр (5) та кришка з сіткою (7) встановлені у правильному положенні. Перед сезонним зберіганням переконайтеся, що всі частини сухі, включивши режим вентилятора протягом 2 годин або коротше, щоб переконатися, що фільтр (5) повністю висох.

4. Злийте воду перед сезонним зберіганням, знявши резервуар для води (розділ Експлуатація - пункт 2). Для очищення резервуара для води використовуйте м'яку воду з милом. Потім повністю висушіть пристрій і резервуар для води, щоб уникнути пошкодження вологою.

5. Злийте воду з пластикових контейнерів (11) перед зберіганням.

6. Накрийте пристрій поліетиленовим пакетом для захисту від пилу та намотуйте шнур живлення. Зберігайте пристрій у сухому місці, захищеному від прямих сонячних променів.

7. Очистіть пристрій та резервуар для води перед наступним використанням.

ДЕКСАЛІНГ

1. Виконайте процедуру видалення накипу відповідно до вказівок засобу для видалення накипу, зазначених виробником.

2. Використовуйте для цього засоби для видалення накипу.

3. Проводите процедуру видалення накипу щонайменше кожні 3 місяці.

4. Видаляйте накип з резервуару для води лише тоді, коли пристрій вимкнено.

ТЕХНІЧНІ ДАНІ:

Живлення 220-240 В ~ 50-60 Гц

Потужність: 80 Вт

Максимальна потужність: 350 Вт

Ємність бака: 2 літри

Витрата води: 230 мл / год

Акумулятор: CR2025 (3V)

Рівень шуму: 59,4 дБ

Об'єм повітряного потоку: 188,4 м³/год

Розміри виробу: 18,6 x 25,5 x 62,5 см



Vi sköter om miljön. Överlämna förpackningar i kartong till pappersavfall.

Polyetylensäckar (PE) slängs i avfallsbehållare för plast. Man bör lämna en gammal apparat till en riktig återvinningscentral, eftersom farliga komponenter i apparaten kan orsaka fara till miljön. En elektrisk apparat bör lämnas för att minska förnyad användning av denna. Om apparaten innehåller batterier, bör man ta bort dem och lämna dem separat till återvinningscentraler.

KARTA GWARANCYJNA

WARUNKI GWARANCJI obowiązują na terenie Rzeczypospolitej Polskiej

Adler Sp. z o.o. ul. Orдона 2a 01-237 Warszawa zapewnia Użytkownika o dobrej jakości sprzętu, na który wydana jest niniejsza karta gwarancyjna i udziela 24 miesięcznej gwarancji, która liczy się od daty zakupu sprzętu. Usługi gwarancyjne świadczone są po okazaniu prawidłowo wypełnionej karty gwarancyjnej. Wady lub uszkodzenia sprzętu ujawnione w okresie gwarancji usuwane będą bezpłatnie przez Serwis Centralny. W przypadku zakupu sprzętu przez przedsiębiorcę (faktura VAT) okres gwarancji wynosi 12 miesięcy. Powyższy zapis nie dotyczy jednoosobowych działalności gospodarczych, o ile rodzaj zakupionego sprzętu, nie jest związany z profilem prowadzonej działalności gospodarczej – weryfikacja w CEIDG.

W przypadku wymiany rzeczy na nową, albo po dokonaniu istotnej naprawy, okres gwarancji biegnie na nowo od chwili dostarczenia klientowi rzeczy wolnej od wad, lub zwrócenia rzeczy naprawionej. Jeżeli gwarant wymienił część rzeczy, przepis powyższy stosuje się odpowiednio do części wymienionej. Gwarant zobowiązuje się pokryć koszty dostarczenia rzeczy do serwisu na adres wskazany w karcie gwarancyjnej. Jednakże uprawniony z gwarancji powinien zachować rozsądek, wybierając środek transportu. Uprawnionemu z gwarancji nie przysługują od gwaranta zwrot kosztów dostarczenia towaru – rzeczy do naprawy gwarancyjnej, przekraczający ekonomicznie uzasadnione koszty przewozu.

UWAGA: Sprzęt przeznaczony jest wyłącznie do użytku domowego. Naprawami gwarancyjnymi nie są objęte czynności związane z odkamienianiem, konserwacją, czyszczeniem urządzenia oraz części i akcesoria ulegające zużyciu przy normalnym użytkowaniu. Gwarancja nie obejmuje mechanicznych uszkodzeń sprzętu oraz wad i uszkodzeń wynikłych wskutek:

- niewłaściwego lub niezgodnego z instrukcją użytkowania, przechowywania i konserwacji;
- ingerencji nieautoryzowanego serwisu, samowolnych napraw, przeróbek i zmian konstrukcyjnych;
- użycia niewłaściwych materiałów eksploatacyjnych.
- uszkodzeń mechanicznych, termicznych, chemicznych i powstałych na skutek przepięcia w sieci.
- karta gwarancyjna jest nieważna bez daty zakupu, pieczęci sprzedającego i kopii dokumentu zakupu.
- gwarancją nie są objęte elementy eksploatacyjne i akcesoria w tym: elementy szklane (np. dzbanki, talerze), sznury przyłączeniowe, sieciowe, żarówki, baterie, nożyki i folie do urządzeń tnących, nasadki miksujące, trzepaki, mieszaki, ssawkoszczotki, rury, węże, kubki miksujące, głowice tnące i sita.

Reklamowany sprzęt jest dostarczany do Serwisu Centralnego przez Klienta w stanie kompletnym i odpowiednio zabezpieczony na czas transportu. Po dokonanej naprawie reklamowany sprzęt odbierany jest z Serwisu Centralnego przez Klienta.

Termin usunięcia wady może zostać wydłużony o czas potrzebny do importu niezbędnych części, nie dłuższy niż 30 dni roboczych. W każdym takim przypadku warsztat serwisowy powiadomi klienta o wydłużeniu terminu naprawy gwarancyjnej. W związku z koniecznością sprowadzenia części zamiennych i poinformuje o nowym terminie usunięcia wady.

W przypadku stwierdzenia usterki należy ją zgłosić w punkcie sprzedaży lub w Serwisie Centralnym, ul. Orдона 2A, 01-237 Warszawa, tel. 728-595-006 lub e-mail: serwis@adler.com.pl.

W zgłoszeniu proszę podać swój adres, nr telefonu i opis usterki. Do reklamacji konieczne jest dołączenie kopii dokumentu zakupu.

Gwarancja nie wyłącza ani nie ogranicza oraz nie zawiesza uprawnień kupującego wynikających z przepisów o rękojmi za wady rzeczy sprzedanej.

SERWIS CENTRALNY

01-237 Warszawa ul.Orдона 2A

tel. 728 - 595 - 006

serwis@adler.com.pl www.adler.com.pl

.....
(data sprzedaży)

.....
(pieczęć sklepu i podpis sprzedawcy)

adnotacje serwisu:



W trosce o środowisko..

Opakowania kartonowe oraz worki polietylenowe (PE) należy wrzucać do odpowiednich pojemników przeznaczonych do selektywnej zbiórki odpadów komunalnych zgodnie z ich opisem. Jeżeli w urządzeniu znajdują się baterie, należy je wyjąć i osobno oddać do punktu zbierania i składowania. Zużyte urządzenia należy oddać do odpowiedniego punktu zbierania i składowania, gdyż znajdujące się w nim niebezpieczne substancje mogą stanowić zagrożenie dla zdrowia i środowiska. Oznaczenie umieszczone na produkcie wskazuje, że urządzenia nie należy wyrzucać do pojemnika z odpadami komunalnymi.

Zużyty sprzęt elektryczny, to odpady, które zawierają substancje szkodliwe dla ludzi, zwierząt i środowiska. Substancje te mogą doprowadzić do zanieczyszczenia gleby, wody lub powietrza, a poprzez to mogą się dostać do organizmu człowieka i doprowadzić do licznych dolegliwości zdrowotnych, takich jak: zaburzenia wzroku, słuchu, mowy, mogą również doprowadzić do uszkodzenia nerek, wątroby i serca, oraz wywołać choroby skóry. Substancje szkodliwe mogą mieć również niekorzystny wpływ na układ oddechowy i rozrodczy oraz doprowadzić do zmian nowotworowych. Spożycie roślin rosnących na skażonych glebach, oraz produktów powstałych z nich może grozić w/w skutkami zdrowotnymi.



Urządzenia nie wyrzucać do pojemnika na odpady komunalne !!!!

WARUNKI BEZPIECZEŃSTWA. WAŻNE INSTRUKCJE BEZPIECZEŃSTWA
UŻYTKOWANIA
PROSZĘ UWAŻNIE PRZECZYTAĆ I ZACHOWAĆ DO WYKORZYSTANIA W
PRZYSZŁOŚCI

Warunki gwarancji są inne, jeśli urządzenie jest wykorzystywane do celów komercyjnych.

1. Przed użyciem produktu przeczytaj uważnie i zawsze postępuj zgodnie z poniższymi instrukcjami. Producent nie ponosi odpowiedzialności za jakiegokolwiek uszkodzenia powstałe w wyniku niewłaściwego użytkowania.
2. Produkt może być używany wyłącznie w pomieszczeniach. Nie używaj produktu do celów niezgodnych z jego zastosowaniem.
3. Obowiązujące napięcie to 220-240V, ~50Hz. Ze względów bezpieczeństwa nie należy podłączać wielu urządzeń do jednego gniazdka elektrycznego.
4. Zachowaj ostrożność podczas korzystania z dzieci. Nie pozwalaj dzieciom bawić się produktem. Nie pozwalaj dzieciom lub osobom nieznającym urządzenia korzystać z niego bez nadzoru.
5. **OSTRZEŻENIE:** To urządzenie może być używane przez dzieci powyżej 8 roku życia oraz osoby o ograniczonych zdolnościach fizycznych, sensorycznych lub umysłowych lub osoby bez doświadczenia lub wiedzy o urządzeniu, wyłącznie pod nadzorem osoby odpowiedzialnej za ich bezpieczeństwo, lub jeśli zostali pouczeni o bezpiecznym użytkowaniu urządzenia i są świadomi zagrożeń związanych z jego obsługą. Dzieci nie powinny bawić się urządzeniem. Czyszczenie i konserwacja urządzenia nie powinny być wykonywane przez dzieci, chyba że ukończyły 8 rok życia i czynności te są wykonywane pod nadzorem.
6. Po zakończeniu używania produktu zawsze pamiętaj, aby delikatnie wyjąć wtyczkę z gniazdka trzymając gniazdko ręką. Nigdy nie ciągnij za kabel zasilający!!!
7. Nigdy nie pozostawiaj produktu podłączonego do źródła zasilania bez nadzoru. Nawet jeśli korzystanie zostanie przerwane na krótki czas, wyłącz go z sieci, odłącz zasilanie.
8. Nigdy nie wkładaj kabla zasilającego, wtyczki ani całego urządzenia do wody. Nigdy nie wystawiaj produktu na działanie warunków atmosferycznych, takich jak bezpośrednie światło słoneczne lub deszcz itp. Nigdy nie używaj produktu w wilgotnych warunkach.
9. Okresowo sprawdzaj stan kabla zasilającego. Jeśli kabel zasilający jest uszkodzony, produkt należy przekazać do profesjonalnego punktu serwisowego w celu wymiany, aby uniknąć niebezpiecznych sytuacji.
10. Nigdy nie używaj produktu z uszkodzonym przewodem zasilającym lub jeśli został upuszczony lub uszkodzony w inny sposób lub jeśli nie działa prawidłowo. Nie próbuj samodzielnie naprawiać uszkodzonego produktu, ponieważ może to doprowadzić do porażenia prądem. Uszkodzone urządzenie należy zawsze oddać do profesjonalnego punktu serwisowego w celu naprawy. Wszelkie naprawy mogą być wykonywane wyłącznie przez autoryzowanych serwisantów. Nieprawidłowo wykonana naprawa może spowodować niebezpieczne sytuacje dla użytkownika.

11. Nigdy nie umieszczaj produktu na lub w pobliżu gorących lub ciepłych powierzchni lub urządzeń kuchennych, takich jak piekarnik elektryczny lub palnik gazowy.
12. Nigdy nie używaj produktu w pobliżu materiałów palnych.
13. Nie pozwól, aby przewód zwiisał z krawędzi blatu.
14. Nie zanurzaj jednostki silnikowej w wodzie.
15. W celu zapewnienia dodatkowej ochrony wskazane jest zainstalowanie wyłącznika różnicowoprądowego (RCD) w obwodzie elektrycznym o znamionowym prądzie różnicowym nie przekraczającym 30mA. Poproś o to elektryka.
16. Nie wkładaj palców ani żadnych innych przedmiotów do kratki obudowy urządzenia.
17. Nie blokuj wylotu.
18. Po zakończeniu, przed odstawieniem, spuść wodę z urządzenia.
19. Jeśli urządzenie nie jest używane przez dłuższy czas, odłącz je od źródła zasilania.
20. Zawsze używaj nowych baterii do wymiany rozładowanych baterii w pilocie.
21. Nie przenoś urządzenia, gdy zbiornik wewnętrzny jest napełniony wodą.
22. Nie kłaść na urządzeniu żadnych przedmiotów.
23. Urządzenie może być użytkowane tylko przy prawidłowo działającej wentylacji.

Przed pierwszym użyciem

1. Należy pamiętać, że wysoki poziom wilgotności może sprzyjać rozwojowi organizmów biologicznych w środowisku.
 2. Nie zamocz urządzenia ani nie zamocz obszaru wokół urządzenia. Jeśli pojawi się wilgoć, zmniejsz skuteczność funkcji nawilżania.
 3. Nie dopuść do zamoczenia materiałów chłonnych, takich jak dywany, zasłony, obrusy.
 4. Nigdy nie pozostawiaj wody w zbiorniku, gdy urządzenie nie jest używane.
- OSTRZEŻENIE: Gdy woda nie jest wymieniana, a zbiornik nie jest odpowiednio czyszczony co 3 dni, drobnoustroje, które mogą być obecne w wodzie lub środowisku, w którym urządzenie jest używane lub przechowywane, mogą rozwinąć się w zbiorniku na wodę i zostać wydychane do otoczenia. Może to spowodować bardzo poważne zagrożenie dla zdrowia.
- OSTRZEŻENIE: Co trzy dni opróżnij zbiornik na wodę i uzupełnij czystą wodą. Przed ponownym napełnieniem umyj zbiornik świeżą wodą z kranu lub używając detergentów. Usuń kamień, osady lub film, który utworzył się na bokach zbiornika i na powierzchniach wewnętrznych. Po umyciu wytrzyj wszystkie powierzchnie do sucha.
5. Gdy urządzenie jest używane po raz pierwszy, silnik urządzenia może wytwarzać zapach, który zniknie w ciągu tygodnia użytkowania. Nie musisz nic z tym robić.

OPIS PRODUKTU Bezłopatkowa klimator MS7856

- | | |
|--|-------------------------------|
| 1. Uchwyt | 2. Wylot powietrza |
| 3. Uchwyt do ręcznego sterowania kierunkiem przepływu powietrza góra/dół | 4. Obudowa przednia |
| 5. Wskaźnik poziomu wody | 6. Tylna obudowa |
| 7. Tylna pokrywa z siatką | 8. Filtr parowania |
| 9. Zbiornik na wodę | 10. Pilot zdalnego sterowania |
| 11. Pudełko na lód | 12. Panel sterowania |
| 13. Blokada zbiornika wody | 14. Zatrask pompy |
| 15. Pompa | 16. Wgłębienie pokrywy |
| 17. Zatraski filtra | |

Pilot i panel sterowania – rysunek B

- | | |
|------------------------------------|---|
| A – przycisk zasilania | B – przycisk trybu |
| C – przycisk prędkości wentylatora | D – przycisk timera |
| E – przycisk timera | F – przycisk chłodzenia na mokro (nawilżanie) |

OBSŁUGA

Zauważalne obniżenie temperatury powietrza wylotowego następuje po włożeniu do zbiornika wody (9) plastikowych pojemników (11) dołączonych do produktu. Plastikowe pojemniki należy wcześniej zamrozić w zamrażarce na kilka godzin. Zaleca się napełnianie plastikowego pojemnika (11) zimną wodą z kranu i nie przekraczanie poziomu MAX oznaczonego na plastikowym pojemniku. Zawartość plastikowego pojemnika jest zabroniona do spożycia. Trzymać z dala od dzieci.

1. Umieść urządzenie na suchej, płaskiej powierzchni. Jeśli powierzchnia nie jest płaska, urządzenie może zacząć wibrować i wydawać

nietypowe dźwięki.

2. Obróć do pozycji płaskiej blokadę zbiornika wody (13), jak pokazano na rysunkach C1 i C2. Następnie wyciągnij trochę zbiornik na wodę (9) z tyłu urządzenia. Użyj dźbanka do nalania czystej, zimnej wody, uważając, aby nie przekroczyć maksymalnego poziomu oznaczonego na wskaźniku poziomu wody (5) z przodu urządzenia. Możesz nalać wodę bez całkowitego wyciągnięcia zbiornika na wodę. Podczas napełniania i czyszczenia odłącz urządzenie od sieci.

3. Aby całkowicie wyjąć zbiornik na wodę, spójrz na rysunek C3-C6. Najpierw zdejmij pompę (15) zwalniając jeden zatrzask pompy (14) i wyciągnij zbiornik wody (8). Nie wyciągaj pompy, pozostaw ją podłączoną do głównej obudowy. Wkładając zbiornik na wodę (9) z powrotem uważaj, aby nie ścisnąć rurek wodnych podłączonych do pompy.

4. Po nalanu wody przekręć blokadę zbiornika wody (13) do pozycji poziomej. Nie przechylaj urządzenia po nalanu wody do zbiornika na wodę. Nie wyjmuj zbiornika na wodę, gdy urządzenie jest podłączone do zasilania.

4. Podłącz wtyczkę do zasilania. Teraz do obsługi urządzenia można użyć panelu sterowania (12) lub pilota (10) (rysunek B). Włącz urządzenie, naciskając przycisk zasilania (A). Ponownie naciśnij przycisk (A), aby wyłączyć urządzenie.

5. Przycisk SPEED (C) pozwala na zmianę prędkości wentylatora. Do wyboru są następujące prędkości: wysoka, średnia i wolna. Zaświeci się odpowiednia dioda na panelu sterowania.

6. Funkcja nawilżania powietrza jest obsługiwana przyciskiem COOL (F), obniża on temperaturę powietrza poprzez uruchomienie pompy wodnej. Wciśnij przycisk (F), WYŁĄCZNIE gdy w zbiorniku znajduje się woda, na panelu sterowania (12) zapali się odpowiednia dioda.

Dodatkowo dołączony jest zestaw dwóch plastikowych pojemników (11). Plastikowe pojemniki (11) należy napełniać zimną wodą z kranu i nie przekraczać maksymalnego poziomu. Następnie włóż je na kilka godzin do zamrażarki. Następnie włóż jeden lub oba pojemniki do zbiornika na wodę (9). Aby wydmuchać mokre chłodne powietrze, urządzenie musi być napełnione wodą. Kiedy urządzenie działa, okresowo sprawdzaj poziom wody, aby zobaczyć, czy dodać wodę. Naciśnij ponownie przycisk (F), aby wyłączyć nawiew mokrego zimnego powietrza.

7. Wciśnięcie funkcji oscylacyjnej poprzez naciśnięcie przycisku SWING (E) zapewni równomierne rozprządzenie strumienia zimnego powietrza w lewo i w prawo. Na panelu sterującym zaświeci się odpowiednia dioda (12).

8. Przycisk TIMER (D) pozwala na zaprogramowanie czasu pracy w odstępach o 1 godzinę od 1 do 8 godzin. Wielokrotne naciśnięcie tego przycisku spowoduje zaświecenie kombinacji diod na panelu sterowania (12). Suma zaznaczonych zapalonych diod oznacza wybrany okres pracy urządzenia przed automatycznym wyłączeniem urządzenia.

9. Przycisk MODE (B) pozwala na zmianę jednego z 3 trybów nadmuchu:

normalny wiatr, naturalny wiatr i tryb uśpienia. Na panelu sterowania zaświeci się dioda wybranego trybu (12).

a) Tryb normalny: pozwala użytkownikowi ręcznie dostosować prędkość wentylatora między wysoką, średnią i niską.

b) Tryb naturalny: naśladuje działanie naturalnego wiatru, powtarzając sekwencję prędkości wentylatora:

* Po wybraniu niskiej prędkości wentylatora urządzenie wydmuchuje powietrze i powtórzy poniższy cykl: niska 4 sekundy + stop 2 sekundy + średnia 4 sekundy + niska 6 sekund + średnia 4 sekundy + stop 2 sekundy + wysoka 2 sekundy + niska 6 sekund + średnia 4 sekundy + niska 4 sekundy + średnia 2 sekundy + niska 4 sekundy + średnia 4 sekundy + niska 4 sekundy + stop 2 sekundy + wysoka 2 sekundy + niska 4 sekundy + średnia 2 sekundy.

* Po wybraniu średniej prędkości wentylatora urządzenie wydmuchuje i powtarza następujący cykl: niska 4 sekundy + średnia 6 sekund + niska 2 sekundy + wysoka 2 sekundy + stop 2 sekundy + środkowa 4 sekundy + niska 4 sekundy + średnia 4 sekundy + niska 2 sekundy + średnia 4 sekundy + niska 4 sekundy + wysoka 2 sekundy + stop 2 sekundy + środkowa 4 sekundy + niska 4 sekundy + wysoka 4 sekundy + stop 2 sekundy + środkowa 4 sekundy + wysoka 4 sekundy.

* Po wybraniu szybkiej prędkości wentylatora urządzenie wydmuchuje i powtarza następujący cykl: wysoka 4 sekundy + stop 2 sekundy + średnia 4 sekundy + wysoka 4 sekundy + niska 4 sekundy + wysoka 2 sekundy + średnia 4 sekundy + wysoka 4 sekundy + stop 2 sekundy + średnia 4 sekundy + wysoka 6 sekund + niska 4 sekundy + wysoka 4 sekundy + średnia 4 sekundy + niska 4 sekundy + wysoka 4 sekundy + stop 2 sekundy + średnia 4 sekundy + wysoka 4 sekundy.

c) Tryb uśpienia: został zaprojektowany, aby wykorzystać efekty trybu naturalnego do zasypiania. Będzie stopniowo zmniejszać prędkość wentylatora w 30-minutowych odstępach:

* Po wybraniu niskiej prędkości wentylatora: wentylator będzie działał tak samo, jak w trybie naturalnym przy niskiej prędkości.

* Gdy wybierzesz średnią prędkość wentylatora: wentylator będzie dmuchał przez 30 minut ze średnią prędkością w trybie naturalnym, a następnie przełączy się na tryb naturalny z niską prędkością.

* Po wybraniu wysokiej prędkości wentylatora: wentylator będzie dmuchał przez 30 minut z dużą prędkością w trybie naturalnym, następnie przełączy się na 30 minut w trybie naturalnym ze średnią prędkością, a następnie przełączy się na tryb naturalny z niską prędkością.

UWAGA: Jeśli wolisz stałą prędkość wentylatora podczas snu, zalecamy ustawienie wentylatora w trybie normalnym i wybranie niskiej prędkości. Użyj funkcji timera, aby wentylator wyłączał się po upływie czasu (np. 1 godzinę po pójściu spać).

10. Wszystkie przyciski na pilocie (10) mają takie same funkcje jak przyciski na panelu sterowania (12). Nie umieszczaj żadnych przedmiotów między urządzeniem a pilotem, aby zapewnić prawidłową komunikację między pilotem a urządzeniem. Aby uruchomić działanie pilota (10), wyciągnij folię montażową. Aby wymienić baterię, naciśnij zatrzask zwalniający na obudowie pilota, jak pokazano na rysunku E. Wymień baterię na baterię tego samego typu, zwróć uwagę, aby umieścić ją z powrotem we właściwym biegunie polaryzacji, zmontuj baterię w odwrotnej kolejności.

CZYSZCZENIE I KONSERWACJA

Zawsze odłączaj urządzenie przed rozpoczęciem czyszczenia, dodawania/spuszczania wody lub przemieszczania urządzenia.

1. Po zakończeniu pracy, przed dłuższym przechowywaniem urządzenia, opróżnij zbiornik na wodę i wyczyść go oraz całe urządzenie.

2. Wyczyść miękką, suchą szmatką. Nie używaj rozpuszczalników chemicznych, ponieważ mogą one spowodować trwałe uszkodzenie

lub odkształcenie urządzenia.

3. Jeśli urządzenie nie jest używane przez trzy lub więcej miesięcy, wyjmij baterie z pilota.

4. Po dłuższej eksploatacji osłona z siatką (7) i filtrem odparowującym (8) może zostać zatkana kurzem, co znacznie wpłynie na wydajność chłodzenia urządzenia. Jeśli woda nie jest wymieniana przez długi czas, może pojawić się pleśń. Sugerujemy czyszczenie pokrywy z siatką (7) i filtrem (8) raz na 10 dni. Procedura czyszczenia filtra (8) jest następująca:

a) Odłącz urządzenie, pociągnij tylną pokrywę (7) za oba wgłębienia (16), aby ją zdjąć – patrz rysunek D. Aby wyjąć filtr parowania (8) pociągnij zatrzask filtra (17), plastik jest elastyczny i umożliwi wyjęcie filtra parowania (8).

b) Wyczyść filtr parowania (8) za pomocą odkurzacza. Pokrywy z siatką (7) nie należy pocierać rękami, aby uniknąć deformacji siatki.

c) Założyć z powrotem filtr (8) i pokrywę z siatką (7).

d) Przed ponownym włączeniem upewnij się, że zbiornik na wodę (8), filtr (5) i pokrywa z siatką (7) są umieszczone we właściwej pozycji. Przed sezonowym przechowywaniem upewnij się, że wszystkie części są suche, uruchamiając tryb wentylatora na 2 godziny lub krócej, aby upewnić się, że filtr (5) jest całkowicie suchy.

4. Spuść wodę przed sezonowym przechowywaniem, wyjmując zbiornik na wodę (rozdział Obsługa - punkt 2). Do czyszczenia zbiornika na wodę używaj łagodnego mydła i wody. Następnie całkowicie wysusz urządzenie i zbiornik na wodę, aby uniknąć uszkodzeń spowodowanych wilgocią.

5. Przed przechowywaniem spuść wodę z plastikowych pojemników (11).

6. Przykryj urządzenie plastikową torbą w celu ochrony przed kurzem i zwin przewód zasilający. Przechowuj urządzenie w suchym miejscu, z dala od bezpośredniego światła słonecznego.

7. Wyczyść urządzenie i zbiornik na wodę przed kolejnym użyciem.

ODKAMIENIANIE

1. Wykonać procedurę odkamieniania zgodnie z instrukcjami środka odkamieniającego podanego przez producenta.

2. Używaj środków do odkamieniania przeznaczonych do tego celu.

3. Przeprowadzaj procedurę usuwania kamienia co najmniej co 3 miesiące.

4. Odkamieniaj zbiornik na wodę tylko wtedy, gdy urządzenie jest wyłączone.

DANE TECHNICZNE:

Zasilanie 220-240V ~50-60 Hz

Moc: 80W

Moc maksymalna: 350 W

Pojemność zbiornika: 2 litry

Zużycie wody: 230 ml / godzinę

Bateria: CR2025 (3V)

Poziom hałas: 59,4dB

Przepływ powietrza: 188,4m³/h

Wymiary produktu: 18,6 x 25,5 x 62,5 cm

(AR) عربي

شروط السلامة. تعليمات مهمة حول سلامة الاستخدام

يرجى القراءة بعناية والاحتفاظ بها للرجوع إليها في المستقبل

تختلف شروط الضمان إذا تم استخدام الجهاز لأغراض تجارية

1- قبل استخدام المنتج ، يرجى القراءة بعناية والامتنال دائماً للإرشادات التالية. الشركة المصنعة ليست مسؤولة عن أي أضرار ناتجة عن أي سوء استخدام

المنتج لاستخدامه في الداخل فقط. لا تستخدم المنتج لأي غرض لا يتوافق مع تطبيقه.

2. الجهد المطبق هو 220-240 فولت ، ~ 50 هرتز. لأسباب تتعلق بالسلامة ، ليس من المناسب توصيل أجهزة متعددة بمأخذ طاقة واحد

3. يرجى توخي الحذر عند الاستخدام حول الأطفال. لا تدع الأطفال يلعبون بالمنتج. لا تدع الأطفال أو

الأشخاص الذين لا يعرفون الجهاز لاستخدامه دون إشراف

تحذير: يمكن استخدام هذا الجهاز من قبل الأطفال الذين تزيد أعمارهم عن 8 سنوات والأشخاص الذين

يعانون من ضعف القدرات البدنية أو الحسية أو العقلية ، أو الأشخاص الذين ليس لديهم خبرة أو معرفة

بالجهاز ، فقط تحت إشراف شخص مسؤول عن سلامتهم ، أو إذا تم إرشادهم بشأن الاستخدام الآمن

للجهاز وكانوا على دراية بالمخاطر المرتبطة بتشغيله. يجب ألا يلعب الأطفال بالجهاز. لا ينبغي أن يقوم

الأطفال بتنظيف الجهاز وصيانته ، إلا إذا كان عمرهم أكبر من 8 سنوات ويتم تنفيذ هذه الأنشطة تحت

6. بعد الانتهاء من استخدام المنتج ، تذكر دائمًا إزالة القابس برفق من مأخذ التيار الكهربائي الذي يمسك .
!!! المنفذ بيدك. لا تسحب كابل الطاقة أبدًا
- 7- لا تترك المنتج متصلًا بمصدر الطاقة دون إشراف. حتى عند انقطاع الاستخدام لفترة قصيرة ، قم -
بإيقاف تشغيله من الشبكة ، وافصل الطاقة
8. لا تضع كابل الطاقة أو القابس أو الجهاز بأكمله في الماء أبدًا. لا تعرض المنتج أبدًا للظروف الجوية .
مثل ضوء الشمس المباشر أو المطر وما إلى ذلك. لا تستخدم المنتج أبدًا في الظروف الرطبة
- 9 افحص حالة كبل الطاقة بشكل دوري. في حالة تلف كبل الطاقة ، يجب تحويل المنتج إلى موقع خدمة
احترافي لاستبداله لتجنب المواقف الخطرة
10. لا تستخدم المنتج أبدًا مع كبل طاقة تالف أو في حالة سقوطه أو تلفه بأي طريقة أخرى أو إذا كان لا .
يعمل بشكل صحيح. لا تحاول إصلاح المنتج المعيب بنفسك لأنه قد يؤدي إلى حدوث صدمة كهربائية. قم
دائمًا بتحويل الجهاز التالف إلى موقع خدمة احترافي لإصلاحه. لا يمكن إجراء جميع الإصلاحات إلا
بواسطة متخصصي الخدمة المعتمدين. قد يتسبب الإصلاح الذي تم بشكل غير صحيح في حدوث مواقف
خطرة للمستخدم
11. لا تضع المنتج على الأسطح الساخنة أو الدافئة أو بالقرب منها أو أدوات المطبخ مثل الفرن الكهربائي .
أو الموقد الغازي
12. لا تستخدم المنتج بالقرب من المواد القابلة للاحتراق
13. لا تدع الحبل يتدلى على حافة العداد
14. لا تغمر وحدة المحرك في الماء
15. في الدائرة الكهربائية بتيار متبقي (RCD) لتوفير حماية إضافية ، يُنصح بتركيب جهاز التيار المتبقي .
مُقدر لا يتجاوز 30 مللي أمبير. اسأل كهربائيًا عن هذا
16. لا تدخل أصابعك أو أي أجسام أخرى في شبكة مبيت الجهاز
17. لا تسد المنفذ
- 18- عند الانتهاء ، قبل وضعه بعيدًا ، قم بتصريف المياه من الجهاز
- 19- في حالة عدم استخدام الجهاز لفترة طويلة ، افصله عن مصدر الطاقة
- 20- استخدم دائمًا بطاريات جديدة لاستبدال البطاريات الفارغة في جهاز التحكم عن بُعد
- 21- لا تحرك الجهاز عندما يمتلئ الخزان الداخلي بالماء
- 22- لا تضع أي أشياء على الجهاز
- 23- لا يمكن استخدام الجهاز إلا مع وجود تهوية تعمل بشكل صحيح

قبل أول استخدام

1. يجب أن نتذكر أن ارتفاع مستوى الرطوبة قد يساعد على نمو الكائنات الحية في البيئة .
2. لا تبلل الجهاز أو تبلل المنطقة المحيطة بالجهاز. إذا ظهرت رطوبة ، قلل من كفاءة وظيفة الترطيب
3. لا تدع المواد الماصة مثل السجاد والستائر ومفارش المائدة تتبلل
4. لا تترك الماء في الخزان أبدًا عندما لا يكون الجهاز قيد الاستخدام
5. تحذير: عندما لا يتم استبدال الماء ولا يتم تنظيف الخزان بشكل صحيح كل 3 أيام ، فإن الكائنات الحية الدقيقة التي قد تكون موجودة في الماء أو في البيئة التي
يتم فيها استخدام الجهاز أو تخزينه قد تتطور في خزان المياه وتتفجر إلى البيئة المحيطة. هذا يمكن أن يسبب مخاطر صحية خطيرة للعناية
تحذير: كل ثلاثة أيام ، قم بتفريغ خزان المياه وتعبئته بالماء النظيف. قبل إعادة التعبئة ، نظف الخزان بمياه الصنبور العذبة أو باستخدام المنظفات. قم بإزالة
أي ترسبات أو طبقات رقيقة تكونت على جوانب الخزان والأسطح الداخلية. بعد الغسيل ، امسح جميع الأسطح حتى تجف
عند استخدام الجهاز لأول مرة ، قد ينتج عن محرك الجهاز رائحة ستبتد في غضون أسبوع من الاستخدام. ليس هناك ما يلزم العمل الخاص بك في هذه الحالة

Ms7856 وصف المنتج مبرد الهواء بلا شفرات

1. مقيض

منفذ الهواء

2. مقيض للتحكم اليدوي في اتجاه تدفق الهواء لأعلى / لأسفل

3. السكن الأمامي

4. مقياس منسوب المياه

6. عودة السكن
7. غطاء خلفي بشبكة
8. مرشح التبخير
9. خزان المياه
10. جهاز التحكم عن بعد
11. صناديق الثلج
12. لوحة التحكم
13. قفل خزان المياه
14. مضخة مزلاج
15. مضخة
16. تغطية العطله
17. مزاج الفلتر

لوحة التحكم والتحكم عن بعد - صورة ب
 أ- زر الطاقة
 ب- زر الوضع
 ج- زر سرعة المروحة
 د- زر المؤقت
 زر المؤقت - E
 زر التبريد الرطب - F

عملية

يحدث انخفاض ملحوظ في درجة حرارة الهواء الخارج بعد وضع خزان المياه (9) الحاويات البلاستيكية (11) المضمنة في المنتج. يجب تجميد الحاويات البلاستيكية مسبقاً في الثلاجة لبضع ساعات. يوصى بملء الحاوية البلاستيكية (11) بماء الصنبور البارد وعدم تجاوز الحد الأقصى المسموح به على الحاوية البلاستيكية. محتوى العبوات البلاستيكية محظور للاكل. تبقى بعيداً عن متناول الأطفال.

1. وضع الجهاز على سطح جاف ومستوي. إذا لم يكن السطح مسطحاً، يمكن أن يبدأ الجهاز في الاهتزاز ويصدر ضوضاء غير طبيعية.
2. ثم اسحب قليلاً من خزان المياه (9) من الجزء الخلفي C2 و C1 قم بتدوير قفل خزان المياه (13) إلى الوضع المسطح كما هو موضح في الصورتين للجهاز. استخدم الإبريق لصب الماء البارد الصافي، واحرص على عدم تجاوز الحد الأقصى المحدد بمقياس مستوى الماء (5) أمام الجهاز. يمكنك سكب الماء بدون سحب خزان المياه تماماً. أثناء التعبئة والتنظيف، افصل الجهاز عن التيار الكهربائي
3. في البداية، قم بإزالة المضخة (15) عن طريق تحرير مزلاج المضخة (14) واسحب خزان المياه C3-C6 لإزالة خزان المياه، انظر تماماً إلى الصورة (8). لا تسحب المضخة، دعها تبقى متصلة بالمبيت الرئيسي. عند إعادة خزان المياه (9)، انتبه إلى عدم الضغط على أنابيب المياه المتصلة بالمضخة (8). بعد صب الماء، أدر قفل خزان الماء (13) إلى الوضع الأفقي. لا تقم بإمالة الجهاز بعد صب الماء في خزان المياه. لا تقم بإزالة خزان المياه أثناء توصيل الجهاز بمصدر الطاقة
4. قم بتوصيل القابس بمصدر الطاقة. يمكن الآن استخدام لوحة التحكم (12) أو جهاز التحكم عن بعد (10) لتشغيل الجهاز (الشكل ب). قم بتشغيل الجهاز.
5. بالضغط على زر الطاقة (أ). اضغط على الزر (أ) مرة أخرى لإيقاف تشغيل الجهاز
6. تغيير سرعة المروحة. يمكن اختيار السرعات التالية: عالية ومتوسطة وبطيئة. سوف يضيء الصمام الثاني المقابل الموجود (C) SPEED يتبج لك الزر على لوحة التحكم
7. حيث تعمل على خفض درجة حرارة الهواء عن طريق تشغيل مضخة الماء. اضغط على الزر (F) COOL يتم تشغيل وظيفة ترطيب الهواء بواسطة زر. عندما يكون هناك ماء داخل خزان المياه فقط، سيضيء الصمام الثاني المقابل على لوحة التحكم (12). بالإضافة إلى ذلك، يتم إرفاق مجموعة من (F) حاويتين بلاستيكيتين (11). يجب أن تملأ العبوات البلاستيكية (11) بماء بارد ومياه الصنبور ولا تتجاوز الحد الأقصى. بعد ذلك، ضعهم في الثلاجة لعدة ساعات. ثم ضع إحدى الحاوية أو كليهما في خزان المياه (9). لتفجير الهواء البارد الرطب، يجب ملء الجهاز بالماء. عند تشغيل الجهاز، تحقق بشكل مرة أخرى لإيقاف تدفق الهواء البارد الرطب (F) دوري من مستوى الماء لمعرفة ما إذا كنت تريد إضافة الماء. اضغط على الزر لتوفير توزيع متساوٍ لتيار الهواء البارد في الاتجاهين الأيسر والأيمن. سيضيء الصمام (E) SWING الضغط على وظيفة التذبذب بالضغط على زر (12). الثاني المقابل في لوحة التحكم
8. ببرنامج مقدار وقت العملية مع تناقص 1 ساعة من 1 إلى 8 ساعات. سيؤدي الضغط المتكرر على هذا الزر إلى إضاءة مجموعة (D) TIMER يسمح زر. من الصمامات الثانية في لوحة التحكم (12). (يعني مجموع علامات الثنائيات المضئبة الفترة المختارة التي سيعمل بها الجهاز قبل إيقاف تشغيل الجهاز تلقائياً) يسمح بالتغيير بين واحد من أوضاع النفخ الثلاثة (B) MODE زر 9.
9. (12) الرياح العادية والرياح الطبيعية ووضع النوم. سيضيء الصمام الثاني المختار في لوحة التحكم
- أ. الوضع الغدائي: يسمح للمستخدم بضبط سرعة المروحة يدوياً بين عالية ومتوسطة ومنخفضة
- ب. الوضع الطبيعي: يحاكي حركة الرياح الطبيعية من خلال تكرار تسلسل سرعة المروحة
- + عند اختيار سرعة المروحة المنخفضة، ينفجر الجهاز ويكرر الدورة التالية: منخفضة 4 ثوان + متوسطة 4 ثوان + منخفضة 6 ثوان *
- + وسط 4 ثوان + توقف 2 ثانية + ارتفاع 2 ثانية + منخفض 6 ثوان + وسط 4 ثوان + منخفض 4 ثوان + متوسط 4 ثوان + منخفض 4 ثوان + توقف 2 ثانية + مرتفع 2 ثانية + منخفض 4 ثوان + متوسط 4 ثوان + متوسط 2 ثانية
- + عند اختيار سرعة المروحة المتوسطة، ينفجر الجهاز ويكرر الدورة التالية: منخفضة 4 ثوان + متوسطة 6 ثوان + منخفضة 2 ثانية + عالية 2 ثانية *
- + توقف 2 ثانية + وسط 4 ثوان + منخفض 4 ثوان + وسط 4 ثوان + منخفض 2 ثانية + متوسط 4 ثوان + مرتفع 2 ثانية + توقف 2 ثانية + وسط 4 ثوان + منخفض 4 ثوان + مرتفع 4 ثوان + توقف 2 ثانية + وسط 4 ثوان + متوسط 4 ثوان + مرتفع 4 ثوان

عند اختيار سرعة المروحة السريعة، ينفجر الجهاز ويكرر الدورة التالية: عالية 4 ثوان + توقف 2 ثانية + متوسطة 4 ثوان + عالية 4 ثوان + منخفض 4 ثوان + مرتفع 2 ثانية + وسط 4 ثوان + مرتفع 4 ثوان + توقف 2 ثوان + وسط 4 ثوان + مرتفع 4 ثوان + منخفض 4 ثوان + متوسط 4 ثوان

٦٠٠٠ + منخفض 4 ٦٠٠٠ + مرتفع 4 ٦٠٠٠ + متوسط 4 ٦٠٠٠
 (ج) وضع السكن: تم تصميمه لاستخدام تأثيرات الوضع الطبيعي للنوم. ستخضع سرعة المروحة تدريجياً بزيادات قدرها 30 دقيقة عند اختيار سرعة المروحة المنخفضة: ستعمل المروحة بنفس السرعة المنخفضة للوضع الطبيعي *
 عند اختيار سرعة المروحة المتوسطة: ستفتح المروحة لمدة 30 دقيقة بسرعة متوسطة في الوضع الطبيعي ثم تتحول إلى الوضع الطبيعي بسرعة منخفضة *
 عند اختيار سرعة المروحة العالية: ستفتح المروحة لمدة 30 دقيقة بسرعة عالية في الوضع الطبيعي ، وبعد ذلك ستتحول لمدة 30 دقيقة بسرعة متوسطة في الوضع الطبيعي ، ثم تتحول إلى الوضع الطبيعي بسرعة منخفضة
 ملاحظة: إذا كنت تفضل سرعة ثابتة للمروحة أثناء النوم ، فإننا نوصي بضبط المروحة على الوضع العادي واختيار سرعة منخفضة. استخدم وظيفة المؤقت لضبط المروحة لتلغق بعد انقضاء وقت (على سبيل المثال ، بعد ساعة واحدة من ذهابك للنوم)
 جميع الأزرار الموجودة بجهاز التحكم عن بعد (10) لها نفس وظائف الأزرار الموجودة على لوحة التحكم (12). لا تضع أي أشياء بين الجهاز ووحدة التحكم 10. عن بعد لضمان الاتصال الصحيح بين وحدة التحكم عن بعد والجهاز. لبدء تشغيل جهاز التحكم عن بعد (10) اسحب فيلم التثبيت. لاستبدال البطارية ، ادفع لسان استبدلها ببطارية من نفس النوع ، وانته بوضعها مرة أخرى في القطب الصحيح. E. التحرير الموجود في مبيت وحدة التحكم عن بعد كما هو موضح في الصورة لللاستقطاب ، وأعد تجميع البطارية بترتيب عكسي

التنظيف والصيانة

- افصل الجهاز دائماً قبل البدء في تنظيف أو إضافة / تصريف المياه أو حركة الجهاز
- بعد الانتهاء من التشغيل ، وقيل تخزين الجهاز لفترة أطول ، قم بتفريغ خزان المياه وتنظيفه والجهاز بأكمله
- نظف بقعة قماش ناعمة وجافة. لا تستخدم المذيبات الكيميائية لأنها يمكن أن تسبب تلفاً دائماً أو تشوهاً للجهاز
- إذا لم يتم استخدام الجهاز لمدة ثلاثة أشهر أو أكثر ، أخرج البطاريات من جهاز التحكم عن بعد
- بعد التشغيل لفترة طويلة ، قد يتم انسداد الغطاء المزود بشبكة (7) ومرشح التبخر (8) بالغبار ، مما سيؤثر بشكل كبير على أداء تبريد الجهاز. إذا لم يتم تبديل الماء لفترة طويلة ، فقد يكون هناك عفن. نقتراح تنظيف الغطاء بشبكة (7) وفلتر (8) مرة كل 10 أيام. إجراء تنظيف الفلتر (8) كالتالي
- أ) افصل الجهاز ، اسحب الغطاء الخلفي (7) من كلا التجويفين (16) لإزالته - انظر إلى الصورة د. لإزالة مرشح التبخر (8) اسحب مزلاج المرشح (17) ، يكون (8) البلاستيكي مرئياً و ستسمح لك بإخراج مرشح التبخر
- ب) نظف مرشح التبخر (8) باستخدام مكنسة كهربائية. لا ينبغي فرك الغطاء ذو الشبكة (7) باليدين لتجنب تشوه الشبكة
- ج) أعد الفلتر (8) والغطاء بالشبكة (7) إلى مكانهما
- د) تأكد من استبدال خزان المياه (8) والمرشح (5) والغطاء مع الشبكة (7) في الوضع الصحيح قبل إعادة التشغيل مرة أخرى. قبل التخزين الموسمي ، تأكد من جفاف جميع الأجزاء عن طريق تشغيل وضع المروحة لمدة ساعتين أو أقل للتأكد من جفاف الفلتر (5) تماماً
- قم بتصريف المياه قبل التخزين الموسمي عن طريق إزالة خزان المياه (فصل التشغيل - النقطة 2). استخدم الماء والصابون المعتدل لتنظيف خزان المياه. ثم 4. جفف الجهاز وخزان المياه تماماً لتجنب تلف الرطوبية
- استنزاف الماء من العبوات البلاستيكية (11) قبل التخزين 5.
- قم بتغطية الجهاز بكيس بلاستيكي لحمايته من الغبار ولف سلك الطاقة. احفظ الجهاز في مكان جاف بعيداً عن أشعة الشمس المباشرة 6.
- نظف الجهاز وخزان المياه قبل الاستخدام التالي 7.

إزالة الترسبات الكلسية

- نظف إجراء إزالة الترسبات وفقاً لتعليمات عامل إزالة الترسبات المحدد من قبل الشركة المصنعة -1
- استخدم عوامل إزالة الترسبات المخصصة لهذا الغرض -2
- قم بإجراء عملية إزالة الترسبات الكلسية كل 3 أشهر على الأقل 3.
- قم بإزالة ترسبات خزان المياه فقط عند إيقاف تشغيل الجهاز 4.

معلومات تقنية

مصدر الطاقة 220-240 فولت ~ 60-50 هرتز
 القدرة: 80 واط
 قوة ماكس: 350 واط
 سعة الخزان: 2 لتر
 استهلاك الماء: 230 مل / ساعة
 (فولت 3) CR2025: البطارية
 مستوى الضوضاء: 59.4 ديسيبل
 حجم تدفق الهواء: 188.4 م³ / ساعة
 أبعاد المنتج: 18.6 × 25.5 × 62.5 سم

يرجى نقل عبوات الورق المقوى إلى نفايات الورق. اسكب أكياس البولي إيثيلين في الحاوية البلاستيكية يجب إعادة الجهاز البالي إلى نقطة تخزين مناسبة لأنه خطير في الجهاز قد تشكل المكونات تهديداً للبيئة. يجب تسليم الجهاز الكهربائي للحد فعليك إخراجها وإعطائها إلى النقطة المخزنة بشكل منفصل. ، إعادة استخدامها واستخدامها. إذا كان هناك بطاريات في الجهاز



(BG) БЪЛГАРСКИ

УСЛОВИЯ ЗА БЕЗОПАСНОСТ.

ВАЖНИ ИНСТРУКЦИИ ЗА БЕЗОПАСНОСТ НА ИЗПОЛЗВАНЕ.

МОЛЯ, ПРОЧЕТЕТЕ ВНИМАТЕЛНО И ПАЗЕТЕ ЗА БЪДЕЩИ РЕФЕРЕНЦИИ

Гаранционните условия са различни, ако устройството се използва за търговски цели.

1. Преди да използвате продукта, моля, прочетете внимателно и винаги спазвайте следните инструкции. Производителят не носи отговорност за щети, причинени от злоупотреба.
2. Продуктът трябва да се използва само на закрито. Не използвайте продукта за цели, които не са съвместими с приложението му.
3. Устройството трябва да бъде свързано само към променливотоков контакт със заземено напрежение 220-240V ~ 50Hz. За да се повиши безопасността при работа, няколко електрически устройства не трябва да бъдат свързани към един контакт едновременно.
4. Внимавайте изключително много, когато използвате устройството, когато децата са наблизо. Не позволявайте на децата да играят с устройството, не позволявайте на деца или хора, които не са запознати с устройството, да го използват без надзор.
5. ПРЕДУПРЕЖДЕНИЕ: Това оборудване може да се използва от деца над 8-годишна възраст и хора с ограничени физически, сензорни или умствени способности или хора, които нямат опит или познания за устройството, ако това се прави под наблюдението на отговорно лице за тяхната безопасност или им е била предоставена информация за безопасното използване на устройството и са наясно с опасностите от използването му. Децата не трябва да играят с оборудването. Почистването и поддръжката на устройството не трябва да се извършва от деца, освен ако са на възраст над 8 години и тези дейности се извършват под наблюдение.
6. Винаги изключвайте щепсела след употреба, като внимателно придържате контакта с ръка. Никога не дърпайте захранващия кабел!
7. Никога не оставяйте продукта свързан към източника на захранване без надзор. Дори когато използването е прекъснато за кратко, изключете го от мрежата, изключете захранването.
8. Никога не поставяйте захранващия кабел, щепсела или цялото устройство във вода. Никога не излагайте продукта на атмосферни условия, като пряка слънчева светлина или дъжд и др. Никога не използвайте продукта във влажни условия.
9. Периодично проверявайте състоянието на захранващия кабел. Ако захранващият кабел е повреден, продуктът трябва да бъде занесен на място за професионално обслужване, за да бъде заменен и за да се избегнат опасни ситуации.
10. Никога не използвайте продукта с повреден захранващ кабел или ако е бил изпуснат или повреден по друг начин, или ако не работи правилно. Не се опитвайте сами да поправяте дефектния продукт, защото това може да доведе до токов удар. Винаги носете повреденото устройство на място за професионално обслужване, за да бъде поправено. Всички ремонти могат да се извършват само от оторизиран сервиз. Ремонтът, извършен неправилно, може да причини опасни ситуации за потребителя.
11. Никога не поставяйте продукта върху или в близост до горещи или топли повърхности или кухненски уреди като електрическата фурна или газов котлон.
12. Никога не използвайте продукта близо до горими материали.
13. Не оставяйте кабела да виси над ръба на плота.
14. Не потапяйте моторния блок във вода.

15. За да се осигури допълнителна защита, препоръчително е да се инсталира устройство за остатъчен ток (RCD) в електрическата верига с номинален остатъчен ток, който не надвишава 30mA. Попитайте електротехник за това.
16. Не поставяйте пръсти или други предмети в решетката на корпуса на устройството.
17. Не блокирайте контакта.
18. Когато сте готови, преди да го приберете, източете водата от устройството.
19. Ако устройството не се използва дълго време, изключете го от източника на захранване.
20. Винаги използвайте нови батерии, за да замените изтощените батерии в дистанционното управление.
21. Не премествайте устройството, когато вътрешният резервоар е напълнен с вода.
22. Не поставяйте никакви предмети върху устройството.
23. Устройството може да се използва само с правилно работеща вентилация.

Преди първа употреба:

1. Трябва да се помни, че високото ниво на влажност може да благоприятства развитието на биологични организми в околната среда.
2. Не мокрете устройството и не намокряйте зоната около устройството. Ако се появи влага, намалете ефективността на функцията за овлажняване.
3. Не позволявайте абсорбиращи материали като килими, завеси, покривки за маса да се намокрят.
4. Никога не оставяйте вода в резервоара, когато устройството не се използва.
- ПРЕДУПРЕЖДЕНИЕ: Когато водата не се подменя и резервоарът не се почиства правилно на всеки 3 дни, микроорганизми, които могат да присъстват във водата или в околната среда, където устройството се използва или съхранява, могат да се развият във резервоара за вода и да бъдат издихани около уреда. Това може да причини много сериозен риск за здравето.
- ПРЕДУПРЕЖДЕНИЕ: На всеки три дни изпразвайте резервоара за вода и го доливайте с чиста вода. Преди да напълните отново, почистете резервоара с прясна чешмяна вода или с помощта на почистващи препарати. Отстранете котлен камък, отлагания или петна, които са се образували по страните на резервоара и по вътрешните повърхности. След измиване избършете всички повърхности на сухо.
5. Когато устройството се използва за първи път, моторът на устройството може да предизвика миризма, която ще се разсее в рамките на една седмица от използването. Не се изисква вашето действие.

ОПИСАНИЕ НА ПРОДУКТА Охладител на въздух без лопатки MS7856

- | | |
|--|-----------------------------|
| 1. Дръжка | 2. Изход за въздух |
| 3. Дръжка за ръчно управление на посоката на въздушния поток нагоре/надолу | 4. Преден корпус |
| 5. Индикатор за нивото на водата | 6. Заден корпус |
| 7. Заден капак с мрежа | 8. Изпарителен филтър |
| 9. Резервоар за вода | 10. Дистанционно управление |
| 11. Кутии за лед | 12. Контролен панел |
| 13. Заклучване на резервоара за вода | 14. Резе на помпата |
| 15. Помпа | 16. Вдлъбнатина на капака |
| 17. Резета на филтъра | |

Дистанционно управление и контролен панел - снимка B

A - бутон за захранване

C - бутон за скорост на вентилатора

E - бутон за таймер

B - бутон за режим

D - бутон за таймер

F - бутон за влажно охлаждане (навлажняване)

РАБОТА

Забележимо намаляване на температурата на изходящия въздух се случва след поставянето на пластмасовите контейнери (11), включени в продукта, в резервоара за вода (9). Пластмасовите контейнери трябва предварително да бъдат замразени във фризера за няколко часа. Препоръчително е да напълните пластмасовия контейнер (11) със студена вода от чешмата и да не надвишавате MAX нивото, отбелязано върху пластмасовия контейнер. Съдържанието на пластмасови контейнери е забранено за ядене. Пазете далеч от деца.

1. Поставете устройството на суха, равна повърхност. Ако повърхността не е плоска, устройството може да започне да вибрира и

да издава ненормален шум.

2. Завъртете в плоско положение ключалката на резервоара за вода (13), както е показано на снимките С1 и С2. След това издърпайте малко резервоара за вода (9) от задната страна на устройството. Използвайте каната за наливане на чиста, студена вода. Внимавайте да не надвишите максималното ниво, отбелязано на манометъра за вода (5) отпред на устройството. Можете да излеете вода, без да издърпате напълно резервоара за вода. По време на пълнене и почистване изключете устройството от електрическата мрежа.

3. За да извадите напълно резервоара за вода, погледнете снимка С3-С6. Отначало извадете помпата (15), като освободите едното резе на помпата (14) и издърпайте резервоара за вода (8). Не изваждайте помпата, оставете я да остане свързана с основния корпус. Когато поставяте резервоара за вода (9) назад, внимавайте да не притискате водопроводните тръби, свързани към помпата.

След изливане на вода, завъртете ключалката на резервоара за вода (13) в хоризонтално положение. Не наклоняйте устройството след изливане на водата в резервоара за вода. Не изваждайте резервоара за вода, докато устройството е включено в захранването.

4. Свържете щепсела към захранването. Сега може да се използва контролен панел (12) или дистанционно управление (10) за управление на устройството (фигура В). Включете устройството, като натиснете бутона за захранване (А). Натиснете отново бутона (А), за да изключите устройството.

5. Бутонът SPEED (С) ви позволява да промените скоростта на вентилатора. Могат да се избират следните скорости: висока, средна и бавна. Съответният диод на контролния панел ще светне.

6. Функцията за овлажняване на въздуха се управлява от бутона COOL (F), намалява температурата на въздуха чрез пускане на водната помпа. Натиснете бутона (F), когато в резервоара за вода има само вода, съответният диод ще светне на контролния панел (12). Освен това е прикрепен комплект от два пластмасови контейнера (11). Пластмасовите контейнери (11) трябва да се пълнят със студена вода от чешмата и да не надвишават максималното ниво. След това ги поставете за няколко часа във фризера. След това поставете един или и двата контейнера в резервоара за вода (9). За да духа влажен и хладен въздух, контейнерите трябва да се напълнят с вода. Когато устройството работи, периодично проверявайте нивото на водата, за да видите дали трябва да добавите вода. Натиснете отново бутона (F), за да изключите духането на влажен, студен въздух.

7. Натискане на функцията за въртене чрез натискане на бутона SWING (E), за да се осигури равномерно разпределение на потока студен въздух в лява и дясна посока. Съответният диод ще светне на контролния панел (12).

8. Бутонът TIMER (D) позволява програмиране на продължителността на работа с 1 час между 1 и 8 часа. Многократното натискане на този бутон ще светне с комбинация от диоди на контролния панел (12). Сумата от осветени диоди означава маркиране за избрания период, в който устройството ще работи преди автоматичното изключване на устройството.

9. Бутонът MODE (B) позволява превключване между един от 3-те режима на духане:

нормален вятър, естествен вятър и режим на заспиване. Диодът за избрания режим ще светне на контролния панел (12).

а) Нормален режим: позволява на потребителя да регулира ръчно скоростта на вентилатора между висока, средна и ниска.

б) Естествен режим: имитира действието на естествения вятър, като повтаря последователността на скоростта на вентилатора:

* Когато изберете ниска скорост на вентилатора, устройството духа и повтаря цикъла на скорост: ниска 4 секунди + спиране 2 секунди + средна 4 секунди + ниска 6 секунди + средна 4 секунди + спиране 2 секунди + висока 2 секунди + ниска 6 секунди + средна 4 секунди + ниска 4 секунди + средна 4 секунди + спиране 2 секунди + висока 2 секунди + ниска 4 секунди + средна 2 секунди.

* Когато изберете средна скорост на вентилатора, устройството духа и повтаря цикъла на скорост: ниска 4 секунди + средна 6 секунди + ниска 2 секунди + висока 2 секунди + спиране 2 секунди + средна 4 секунди + ниска 4 секунди + средна 4 секунди + ниска 2 секунди + средна 4 секунди + ниска 4 секунди + висока 2 секунди + спиране 2 секунди + средна 4 секунди + ниска 4 секунди + висока 4 секунди + спиране 2 секунди + средна 4 секунди + висока 4 секунди.

* Когато изберете бърза скорост на вентилатора, устройството духа и повтаря цикъла на скорост: висока 4 секунди + спиране 2 секунди + средна 4 секунди + висока 4 секунди + ниска 4 секунди + висока 2 секунди + средна 4 секунди + висока 4 секунди + стоп 2 секунди + средна 4 секунди + висока 6 секунди + ниска 4 секунди + висока 4 секунди + средна 4 секунди + ниска 4 секунди + висока 4 секунди + средна 4 секунди.

в) Режим на заспиване: проектиран е да използва ефектите на естествения режим, за заспиване. Той постепенно ще намалява скоростта на вентилатора на стъпки от 30 минути:

* Когато изберете ниска скорост на вентилатора: вентилаторът ще работи по същия начин като нискоскоростен естествен режим.

* Когато изберете средна скорост на вентилатора: вентилаторът ще духа 30 минути при средна скорост на естествен режим, след което превключва на нискоскоростен естествен режим.

* Когато изберете висока скорост на вентилатора: вентилаторът ще духа 30 минути при висока скорост на естествен режим, след това ще превключи за 30 минути при средно бърз естествен режим, след което ще премине на нискоскоростен естествен режим.

ЗАБЕЛЕЖКА: Ако предпочитате постоянна скорост на вентилатора, докато спите, препоръчваме да настроите вентилатора в нормален режим и да изберете ниска скорост. Използвайте функцията таймер, за да настроите вентилатора да се изключва след изминало време (например 1 час след лягане).

10. Всички бутони на дистанционното управление (10) имат същите функции като бутоните на контролния панел (12). Не поставяйте никакви предмети между устройството и дистанционното управление, за да осигурите правилна комуникация между дистанционното управление и устройството. За да стартирате дистанционно управление (10), издърпайте инсталационното фолио. За да смените батерията, натиснете освобождаващия щифт на корпуса на дистанционното управление, както е показано на снимка Е. Сменете с батерия от същия тип, внимавайте да я поставите обратно в правилния поляризиционен полюс, слобете отново с батерията в обратен ред.

ПОЧИСТВАНЕ И ПОДДРЪЖКА

Винаги изключвайте устройството, преди да започнете да почиствате или добавяте/източватے вода, или при придвижване на устройството.

1. След приключване на работа, преди да съхранявате устройството за по-дълго време, изпразнете резервоара за вода и почистете него и цялото устройство.
2. Почиствайте с мека, суха кърпа. Не използвайте химически разтворители, тъй като те могат да причинят трайни повреди или деформация на устройството.
3. Ако устройството не се използва за три или повече месеца, извадете батериите от дистанционното управление.
4. След продължителна работа капакът с мрежа (7) и изпарителния филтър (8) може да се задръсти с прах, което значително ще повлияе на работата на устройството при охлаждане. Ако водата не бъде сменена дълго време, може да се образува мухъл. Предлагаме да почиствате капака с мрежа (7) и филтъра (8) веднъж на всеки 10 дни. Процедурата за почистване на филтъра (8) е както следва:
 - a) Изключете устройството, издърпайте задния капак (7) от двете вдлъбнатини (16), за да го премахнете - вижте снимка D. За да премахнете изпарителния филтър (8), дръпнете обратно ключалката на филтъра (17), пластмасата е гъвкава и ще ви позволи да извадите изпарителния филтър (8).
 - b) Почистете изпарителния филтър (8) с прахосмукачка. Капакът с мрежа (7) не трябва да се търка с ръце, за да се избегне деформация на мрежата.
 - c) Поставете филтъра (8) и капака с мрежа (7) на място.
 - d) Уверете се, че резервоарът за вода (8), филтърът (5) и капакът с мрежа (7) са подменени в правилното положение, преди да ги включите отново. Преди сезонно съхранение се уверете, че всички части са сухи, като пуснете режима на вентилатора за 2 часа или по-кратко, за да се уверите, че филтърът (5) е напълно сух.
4. Източете водата преди сезонно съхранение, като извадите резервоара за вода (глава Работа - точка 2). Използвайте мек сапун и вода, за да почистите резервоара за вода. След това изсушете напълно устройството и резервоара за вода, за да избегнете повреда от влага.
5. Източете водата от пластмасовите контейнери (11) преди съхранение.
6. Покрийте устройството с найлонов плик, за да предпазите от прах и навийте захранващия кабел. Съхранявайте устройството на сухо място, защитено от пряка слънчева светлина.
7. Почистете устройството и резервоара за вода преди следваща употреба.

ДЕСКАЛИРАНЕ

1. Извършете процедурата за отстраняване на котлен камък в съответствие с инструкциите на агента за отстраняване на котлен камък, посочен от производителя.
2. Използвайте средства за отстраняване на котлен камък, предназначени за тази цел.
3. Извършвайте процедурата за отстраняване на котлен камък поне на всеки 3 месеца.
4. Отстранете котления камък от резервоара за вода само когато устройството е изключено.

ТЕХНИЧЕСКИ ДАННИ:

Източник на захранване: 220-240V ~ 50-60 Hz

Мощност: 80 W

Максимална мощност: 350 W

Капацитет на резервоара: 2 литра

Консумация на вода: 230 мл / час

Батерия: CR2025 (3V)

Ниво на шум: 59,4 dB

Обем на въздушния поток: 188,4m³/h

Размери на продукта: 18,6 x 25,5 x 62,5 см



Моля, прехвърлете картонените опаковки в отпадъчна хартия. Изсипете полиетиленовите торбички (PE) в пластмасовия контейнер. Износеното устройство трябва да се върне в съответното място за съхранение, тъй като е опасно в устройството съставките могат да представляват заплаха за околната среда. Електрическото устройство трябва да бъде предадено докрай повторното му използване и използване. Ако в устройството има батерии, трябва да извадите и да дадете на точката, съхранявана отделно.

mesko



CITRUS JUICER
MS 4010



Milk Frother
MS 4493



BLENDER WITH JAR
MS 4079



MIXER WITH BOWL
MS 4217



KITCHEN SCALE
MS 3165



AIR HUMIDIFIER
MS 7965



MOSQUITO KILLER LAMP
MS 7933



Weather Station
MS 1177



NOSE TRIMMER
MS 2929



ELECTRIC KETTLE
MS 1284



SANDWICH MAKER
MS 3032



HAND BLENDER
MS 4624



ELECTRIC OVEN
MS 6021



NUT MAKER
MS 3041



JUICE EXTRACTOR
MS 4126



CERAMIC FAN HEATER
MS 7736



HAIR DRYER
MS 2262



AIR CONDITIONER
MS 7911