

EDI 100363 BlackLine

EDI 300163 BlackLine

DISHWASHER
INSTRUCTION MANUAL

SPÜLMASCHINE
BEDIENUNGSANLEITUNG

MYČKA
NÁVOD K OBSLUZE

MOSOGATÓGÉP
HASZNÁLATI ÚTMUTATÓ

UMÝVAČKA RIADU
NÁVOD NA OBSLUHU

■ Always read the safety&use instructions carefully before using your appliance for the first time. The user's manual must be always included. ■ Bitte lesen Sie vor der Inbetriebnahme des Produktes diese Anleitung und die darin enthaltenen Sicherheitshinweise aufmerksam durch. Die Bedienungsanleitung muss dem Gerät immer beigelegt sein. ■ Před uvedením výrobku do provozu si důkladně pročtěte tento návod a bezpečnostní pokyny, které jsou v tomto návodu obsaženy. Návod musí být vždy přiložen k přístroji. ■ A termék használatba vétele előtt figyelmesen olvassa el ezt a használati útmutatót és az útmutatóban található biztonsági rendelkezéseket. A használati útmutatót tartsa a készülék közelében. ■ Pred uvedením výrobku do prevádzky si dôkladne prečítajte tento návod a bezpečnostné pokyny, ktoré sú v tomto návode obsiahnuté. Návod musí byť vždy priložený k prístroju.

SAFETY INSTRUCTIONS

Read carefully and save for future use!

Warning: The safety measures and instructions, contained in this manual, do not include all conditions and situations possible. The user must understand that common sense, caution and care are factors that cannot be integrated into any product. Therefore, these factors shall be ensured by the user/s using and operating this appliance.

We are not liable for damages caused during shipping, by incorrect use, voltage fluctuation or the modification or adjustment of any part of the appliance.

Follow the instructions in this manual. Before using for the first time, read the entire written instructions carefully and keep them for future reference.

To protect against a risk of fire or electric shock, basic precautions shall be taken while using electrical appliances, including the following:

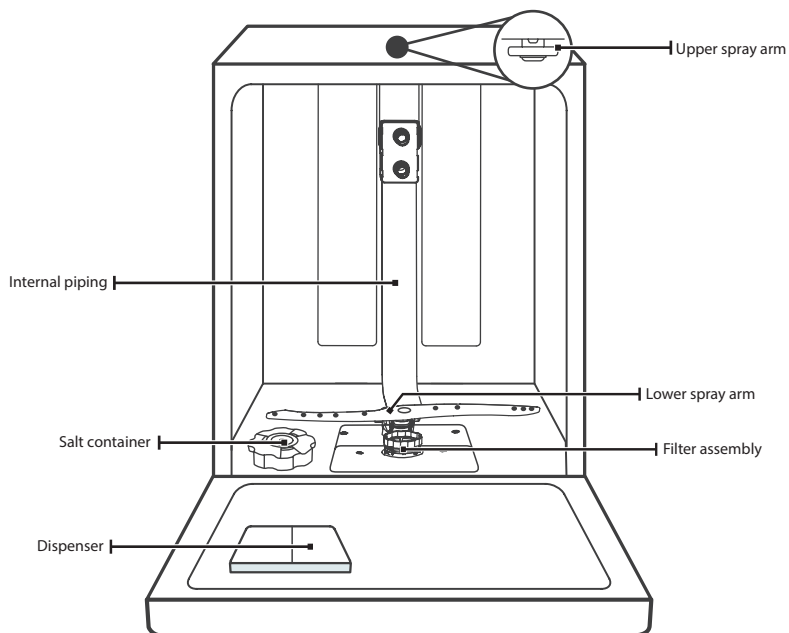
1. This appliance may be used by children over 8 years of age and persons with limited physical and mental abilities and persons without experience and knowledge of the appliance, provided that supervision and/or instruction is provided with regard to the use of the appliance in a safe manner so that the hazards associated with its use are understood. Children must not play with this appliance. Children cannot clean or otherwise maintain the appliance without supervision.
2. Do not place unsuitable and heavy objects in the basket. Do not overfill the basket. The manufacturer is not liable for any damage to the internal parts of the appliance caused by improper use of the appliance.
3. Do not open the appliance door during the washing cycle. If you still open the door during the wash cycle, the safety device will stop the appliance from operating.
4. To prevent an accident, do not leave the door open. Do not leave the dishwasher door in the open position as this poses a tripping hazard.

5. **Warning:** Knives and other household utensils with sharp points must be placed in a basket with the points facing downwards or placed in a horizontal position.
6. A damaged power cord may only be replaced by the manufacturer, its service technician, or another similarly qualified person.
7. If the EnergySave function is active, the appliance door will open at the end of the program. Do not apply pressure to the closed door to avoid damaging the door mechanism. To ensure efficient drying, the door must be opened after 30 minutes (models with automatic door opening system).
8. **Warning:** When the acoustic signal sounds to open the door automatically, you must not stand directly in front of the door.
9. Keep packaging material out of the reach of children.
10. Do not allow children to play with the appliance or start it.
11. Keep cleaning supplies away from children.
12. Children must be kept away from the appliance when the door is opened after the washing cycle, as detergent residues may be present in the appliance.
13. Ensure that children and pets are kept at a safe distance from the appliance during operation.
14. Make sure that the used appliance does not pose a threat to your children. There are known cases where children have been trapped in an old used appliance. To prevent this situation, break the door lock of the old appliance and cut off the power cord.
15. Ensure that the water and electrical appliance are connected by a qualified technician in accordance with the manufacturer's instructions and local safety regulations.
16. Repair of the appliance by a person other than an authorized service employee will void the warranty.
17. Before repairing the appliance, make sure that the appliance is disconnected from the power supply. Switch off the fuse or disconnect the appliance from the power supply by pulling the plug of the power cord out of the socket. When disconnecting the

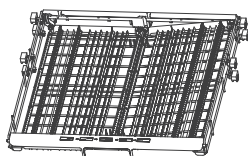
appliance from power, pull on the plug, not on the cable. Check if you closed the water supply.

18. This appliance is intended for household use and similar areas, such as:
 - kitchen corners in shops, offices and other workplaces,
 - in agriculture.
 - by guests in hotels, motels and other residential establishments;
 - in Bed and Breakfast accommodations.
19. Use a new set of hoses included with the appliance. Do not reuse the old hoses set.
20. Always disconnect the appliance from the power supply and turn off the water supply after use.
21. For your safety, insert the power cord plug into a grounded three-prong outlet. Carefully check and make sure that the outlet is grounded in a correct and reliable way.
22. Before using the appliance, carefully remove all elements of the packaging and anti-movement security. Otherwise, serious damage to the appliance may occur.
23. Do not install the dishwasher in very wet or damp rooms, as well as in rooms where appear explosive or corrosive gases.
24. Do not step or sit on the dishwasher.
25. Do not lean on the door of the dishwasher.
26. Do not close the door violently. If the dishwasher door is difficult to close, check that whether there are too many dishes in the dishwasher or whether the dishes are well spaced.
27. The use of highly flammable and explosive or toxic solvents is prohibited. Do not use petrol or alcohol etc. as cleaning agents.
28. When the washing programme is finished, wait and then carefully open the dishwasher door.
29. When you open the dishwasher door, be careful of the rising hot steam, which can cause health complications if you are careless.

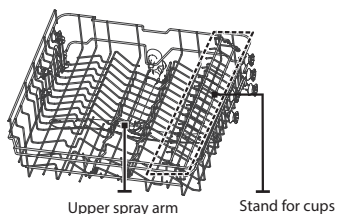
PRODUCT DESCRIPTION



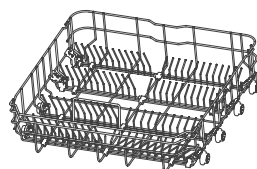
Cutlery compartment



Upper basket



Bottom basket



Note: Images are for reference only, different models may vary.

INSTALLATION INSTRUCTIONS

RISK OF ELECTRIC SHOCK

Before installing the dishwasher, disconnect the electricity supply. Failure to obey can lead to fatal electric shock.

The installation of piping and electrical connections must be done by professionals.

Connection to the power supply

Power supply requirements

Check on the label of the appliance that the rated voltage corresponds to the mains to which it will be connected. The mains circuit should be dedicated to the dishwasher only and must be protected by a 10/13/16 A fuse, time fuse or a protective switch.

Electrical wiring

Check that the supply voltage and frequency correspond to the values on the appliance label. Only connect the power cord to a power outlet that is properly grounded. If the mains socket to which the appliance is to be connected does not match the power cord plug, replace the outlet. There is a risk of overheating and ignition when using the adapter.

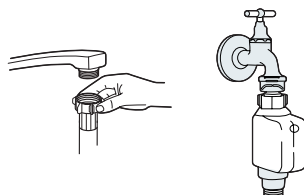
- **Make sure the appliance is properly grounded before using it.**

Water supply and drain hose

The water distribution system must be suitable for the installation of the dishwasher. We also recommend that you install a filter at the water inlet to prevent damage to the appliance due to contamination by dirt (sand, clay, rust, etc.) that may be in the plumbing or domestic water mains. This will prevent the dishes from yellowing and dirt from accumulating in the appliance.

Cold water connection

Connect the cold water supply hose to the 3/4-inch diameter screw fitting and make sure it is securely attached. If the supply pipe is new or has not been used for a long time, let the water flow for a while until it is completely clean. This will prevent possible blockage of the water supply and damage to the device.



Safety supply hose

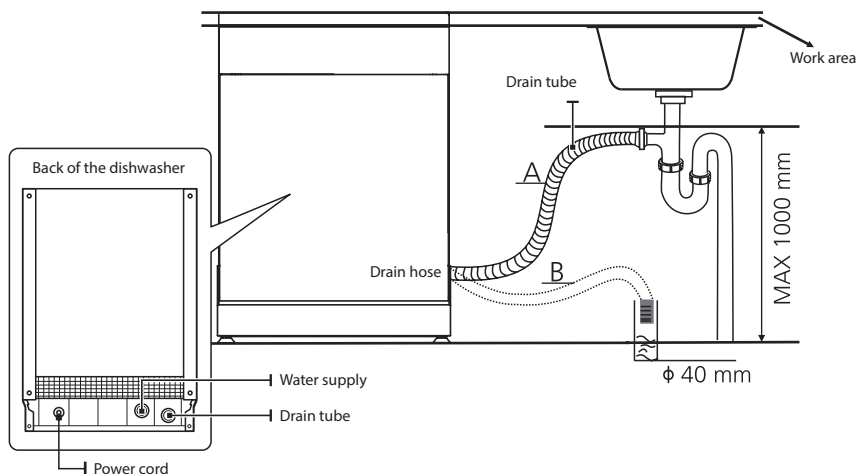
The hose has double walls. The hose system ensures that the water flow is shut off in the event of a hose break or water ingress into the space between the double hose walls.

Connecting the safety water supply hose

1. Pull the safety supply hose completely out of its storage compartment at the back of the dishwasher.
2. Attach the cap to the water supply with 3/4 inch thread and tighten fittings.
3. Open the water supply tap fully before using the dishwasher.

Connecting the drain hose

Connect the waste hose to the waste pipe with a minimum diameter of 4 cm or insert it into the sink and ensure that it does not bend or break. The hose outlet must be located at a height of less than 1000 mm. The free end of the hose must not be immersed in water to prevent water flowing back.



How to remove residual water from the hose

If the connection to the drain pipe is located higher than 1000 mm, excess water may remain in the drain hose. In this case, the residual water must be allowed to flow out of the hose into a bowl or other suitable container located below the level of the sink.

Water drainage

Attach the drain hose. The drain hose must seal perfectly to prevent water leaking from the joint. Make sure that the drain hose is not twisted or wrinkled.

Extension hose

If you need an extension drain hose, use a similar type. It must not be longer than 4 m, otherwise the performance of the dishwasher will be reduced.

Water shut-off connection

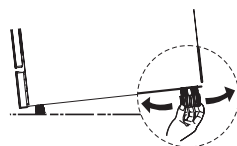
The drain hose connection must be located 1000 mm (maximum) above the bottom of the dishwasher.

Placement of the dishwasher

Place the appliance in the desired location. The back should face the wall and the sides should face adjacent cabinets or walls. The dishwasher is equipped with hoses for water supply and drainage, which can be positioned on the right and left, thus allowing for an ideal installation.

Levelling the dishwasher

Once the dishwasher is in place, its height can be adjusted using the adjustment bolts located at the bottom. The dishwasher must not be tilted by more than 2°.

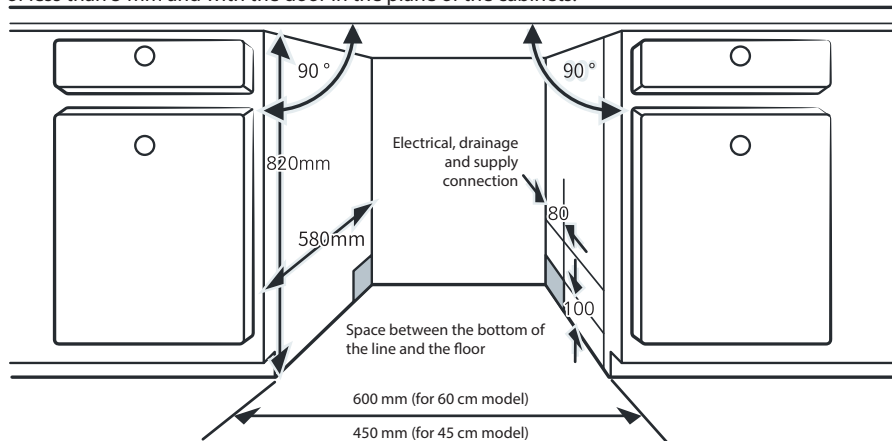


Built-in installation

Choosing the best location for your dishwasher

The dishwasher should be installed close to the supply and drainage pipes and the electricity supply. Illustration of cabinet dimensions and installation position of the dishwasher.

1. The built-in dimensions are given with a distance between the top of the dishwasher and the cabinet top of less than 5 mm and with the door in the plane of the cabinets.

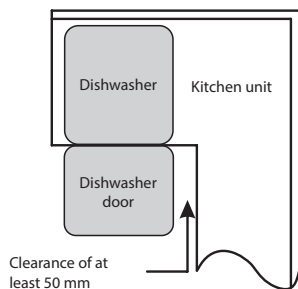


- If the dishwasher is installed in a corner, there should be a clear space when the door is opened.

Depending on the location of the electrical outlet, you may need to cut a hole on the opposite side of the cabinet.

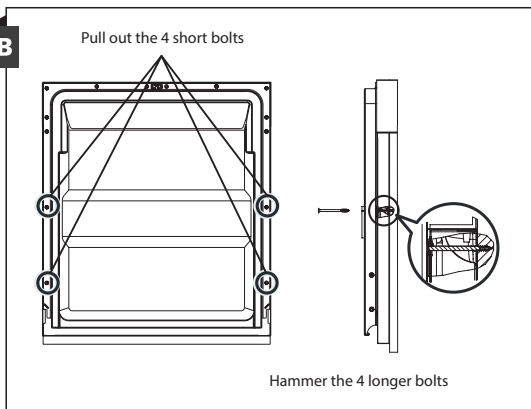
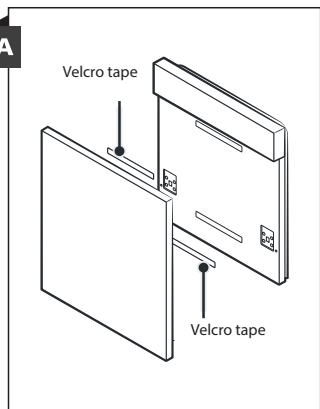
Dimensions and installation of the decorative panel

When fitting the decorative door panel, follow the procedure for your appliance model.



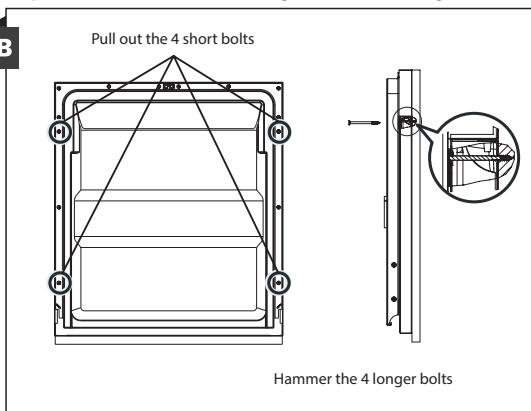
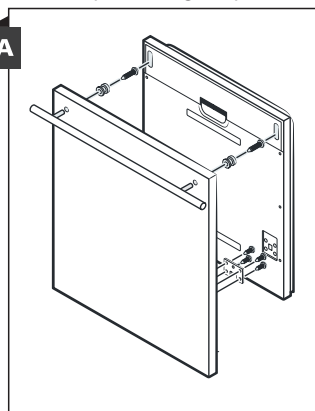
Semi-built model

Separate Velcro strip A and Velcro strip B and attach strip A to the inside of the decorative panel. Attach strip B to the outside of the dishwasher door (see figure A). After positioning the panel, attach the panel to the outer door using the bolts (see Figure B).



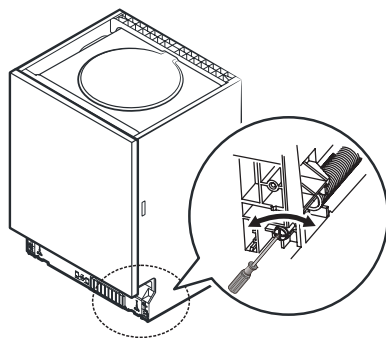
Fully built-in model

Install the hooks on the decorative panel and insert it into the holes of the outer door of the dishwasher (see Figure A). After positioning the panel, attach the panel to the outer door using the bolts (see Figure B).



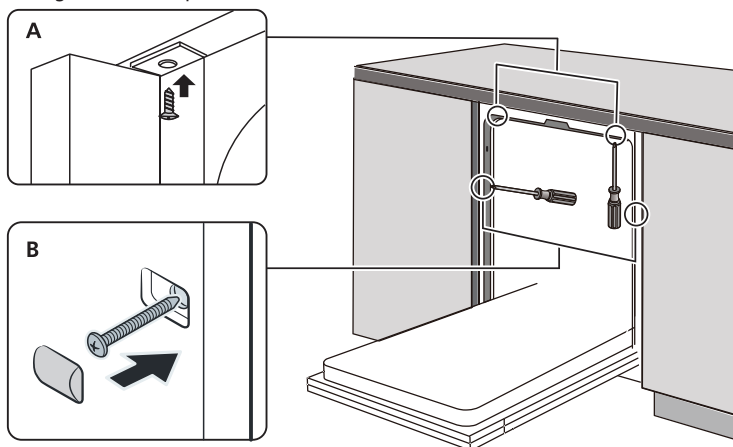
Door spring resistance adjustment

1. The door springs are factory set to the correct resistance for the outer door. If decorative panels are installed, it is necessary to adjust the resistance of the door springs again. Tighten or loosen the steel cable by turning the adjusting bolt.
2. The resistance of the door spring is correct when the door remains in the fully open position horizontally, but you can raise and close it with a slight lift of a finger.



Dishwasher installation procedure

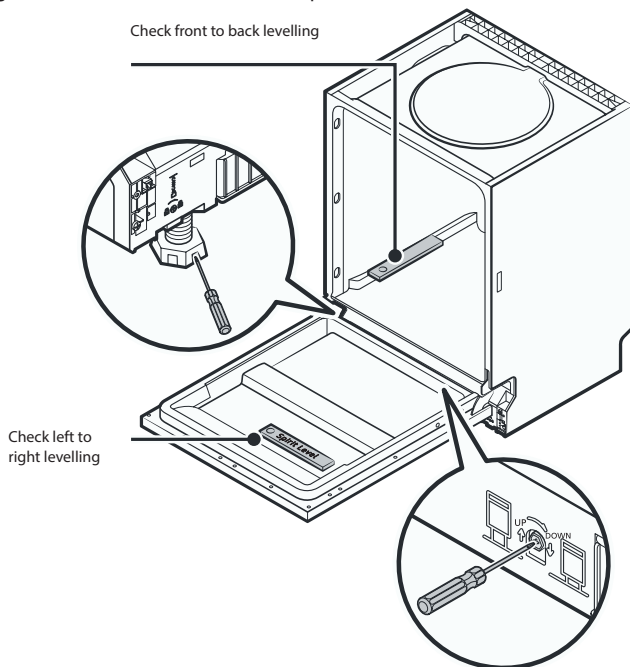
1. Attach the condensation strip under the work surface of the line. Make sure that the condensation strip is level with the edge of the work surface.
2. Connect the supply hose to the cold water supply.
3. Attach the drain hose.
4. Plug in the power cord.
5. Place the dishwasher in the kitchen cabinet.
6. Level the dishwasher. The rear feet can be adjusted from the front of the dishwasher by turning the bolt in the middle of the dishwasher base. Use a cross-head screwdriver. To adjust the front feet, use a flat-head screwdriver and turn the front feet until the dishwasher is level.
7. Install the furniture door on the outer door of the dishwasher.
8. Adjust the resistance of the door spring by turning the cross-head screwdriver clockwise. Failure to follow this procedure may cause damage to the dishwasher.
9. A dishwasher must be provided on site. This can be done in two ways:
 - A. A normal worktop: Insert the installation hook into the groove of the side and secure it to the worktop with the bolts.
 - B. Marble or granite worktop: Fix the side with bolts.



Levelling the dishwasher

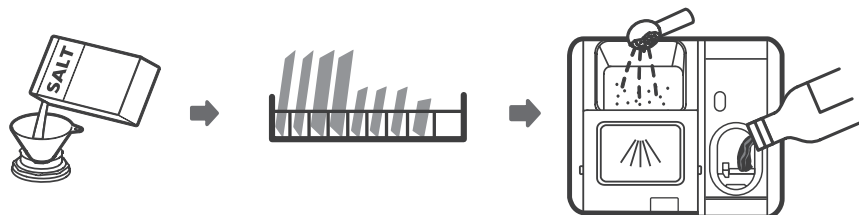
The dishwasher must be level for the dish rack and washing power to work properly.

1. Place a spirit level on the door and rail inside the tub as shown and check that the dishwasher is level.
2. Level the dishwasher by individually adjusting the three levelling feet.
3. When levelling the dishwasher, take care not to tip it over.



The maximum height of the adjustable feet is 50 mm.

USING THE DISHWASHER



1. Put salt in the softener, adjust the water hardness and add polish if necessary.
2. Prepare dishes and place them in the dishwasher.
3. Fill the dispenser with detergent.
4. Select the programme and start the dishwasher.

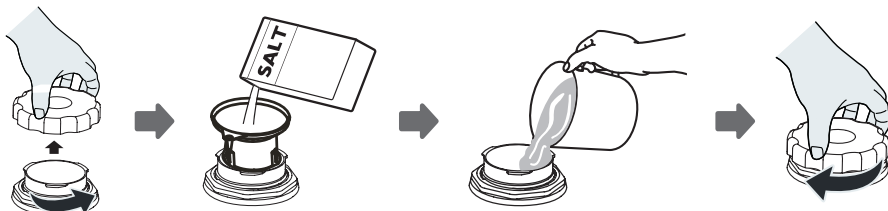
SALT INSERTION, WATER HARDNESS ADJUSTMENT AND POLISH FILLING

Always use dishwasher-safe salt. The salt container is located under the bottom basket.

Warning:

- Use only salt which is safe to use in dishwashers! Other types of salts, which are not intended for dishwashers, for example kitchen salt would damage the water softener. In case of damage caused by use of improper salt the manufacturer does not keep warranty and is not responsible for any damage.
- Only fill the salt before starting the cycle. This will prevent salt grains released from the tray from collecting on the bottom of the dishwasher for prolonged time, where they could cause a corrosion process.

When regulating salt consumption, please do the following:



1. Remove the bottom basket and unscrew the tank cap.
2. Insert a funnel (supplied) into the opening of the dispenser and pour into it about 1.5 kg of salt.
3. Refill the reservoir with water. A small amount of water usually overflows from the dispenser.
4. After filling the container, screw the cap on tightly.
5. When the salt tank is full, the salt indicator light stops illuminating.
6. Immediately after filling the salt reservoirs, start a washing programme (we recommend the quick wash programme). Failing to do so can lead to salt water damaging the filter system, pump or other important component. In such case, the warranty shall be void.

Notes:

- Salt should be added when on the control panel the salt indicator (☞) lights up. As the salt dissolves quickly, the salt indicator is lit even after the salt has been replenished. If there is no salt indicator on the control panel (for some types), estimate the time of adding salt to the softener by the number of wash cycles performed.
- If salt has spilled, run a rinse or quick programme to remove it.

Water softener

Set the water softener manually using the rotary control of water hardness. The function of the water softener is to remove from the water minerals and salts that could adversely affect the operation of the dishwasher. The more minerals in it, the harder the water. The water softener can be adjusted according to the hardness level of the water in your area. Your water supplier should provide you with information about your water hardness.

Setting the salt consumption

The dishwasher allows to regulate the consumption of salt depending on the hardness of the water used. Thus can be the salt consumption optimized and regulated.

When regulating salt consumption, please do the following:

1. Close the door, switch on the appliance.
2. Within 60 seconds of switching on the appliance, press the **Quick Wash** programme button for more than 5 seconds to enter the water softener setting mode.
3. Press the **Quick Wash** button again to select the correct set for your local environment, the settings will change in the following order: H1 -> H2 -> H3 -> H4 -> H5 -> H6.
4. To exit setup mode, press the ⏻ power button.

WATER HARDNESS SCALE				Level setting	Salt consumption
German (dH)	French (fH)	British (Clarke)	Mmol/l		
0-5	0-9	0-6	0-0.94	H1	0

6–11	10–20	7–14	1.0–2.0	H2	9
12–17	21–30	15–21	2.1–3.0	H3	12
18–22	31–40	22–28	3.1–4.0	H4	20
23–34	41–60	29–42	4.1–6.0	H5	30
35–55	61–98	43–69	6.1–9.8	H6	60

1 °dH = 1.25 °Clarke = 1.78 °fH = 0.178 mmol/l

Factory settings: H3


Filling the polish dispenser

The polish is released during the final phase of the program during polishing. This prevents forming drops on the dishes, which would leave them with stains and smudges. Also, it speeds drying and water draining from the dishes. Liquid polish is used in your dishwasher.

Use only brand name polishes for the dishwasher. Never fill the polish dispenser with any other substances (e.g. dishwasher detergent, liquid detergent). You could damage the appliance.

Setting of polish dispenser:

In order to achieve a higher drying performance with a limited amount of polish, the dishwasher is designed to adjust the consumption according to the user. Follow the steps below.

1. Close the door and switch on the appliance.
2. Within 60 seconds after step 1, press and hold the Program **P** button for at least 5 seconds, and then press the delay start button (2) to enter setup mode.
3. Use the Program **P** button to select the desired settings in the following order: D1 -> D2 -> D3 -> D4 -> D5 -> D1. The higher the number, the more polish the dishwasher will use.
4. Press the  power button to complete the setup. The setting will also be saved after 5 seconds of no activity.

When to replenish the polish

The regularity of the polish refill depends on the frequency of dishwashing and the setting used.

- If more polish is needed, the polish shortage indicator will light up (🚰).
- Do not overfill the polish dispenser

FILING THE BASKETS WITH DISHES

- Consider buying dishes and flatware that are designed for dishwashers.
- For certain types of dishes, select the programme that operates at the lowest possible temperature.
- Remove the glass and knives from the dishwasher as soon as possible after washing. This will prevent possible damage.

These dishes are not dishwasher safe:

- Cutlery with wooden, porcelain, keratin or pearl handles.
- Plastic dishes which are not heat resistant.
- Older flatware with glued parts that are not heat resistant.
- Tin and copper objects.
- Crystal glass.
- Steel objects which corrode.
- Wooden bowls.
- Objects made of synthetic fibres.
- Certain types of glass, which may be tarnished after repeated washing.
- Silver and aluminium parts which tend to lose color during washing.
- Glazed patterns may fade when frequently washed in a dishwasher.

Recommendations for filling the dishwasher

Remove larger food leftovers from the dishes. Let the leftover burnt food soften in the pan first. It is not necessary to pre-rinse the dishes under running water.

You will achieve the best cleaning results if you follow these instructions. **The function and the appearance of the baskets can vary according to the model of the dishwasher.**

Load the objects in the dishwasher as follows:

- Objects such as cups, glasses, pots, bowls, etc. put in bottom up.
- Lay diagonally any curved or arched parts of the dishes to allow water to run out.
- Arrange all objects so that they cannot be overturned.
- Arrange all objects so that the spray arms can move freely.
- Hollow items such as cups, glasses, bowls, etc. load upside down, so that the water does not collect in them.
- Dishes and flatware must not lie inside one another and may not overlap. To avoid damage, glasses should not touch each other.
- The upper basket is designed for more delicate and smaller items such as glasses, cups and mugs.
- Long-bladed knives loaded in an upright position are a danger!
- Long or sharp objects, such as carving knives, must be positioned horizontally in the upper basket.
- Never overload the dishwasher. Only in this way you will get good results and save energy.

WARNING: THE DISHES WILL BE HOT!

To avoid burns, do not remove glass and flatware from the dishwasher for approximately 15 minutes after the programme has finished.

Note: You should not put very small objects in the dishwasher; they could fall through the basket easily.

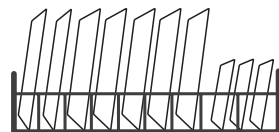
Filling the upper basket

The upper basket is designed for smaller and more fragile items such as glasses, mugs, cups and saucers, as well as plates, bowls and shallow bowls (if they are not too dirty). Load the dishes and the flatware in such a way that they cannot be overturned by streaming water.



Filling the lower basket

Longer objects and objects that are difficult to clean, i.e. pots, pans, lids, plates and bowls, should be placed in the lower basket as shown in the picture. We recommend putting plates and lids to the grooves on the sides of the basket so as not to impede the rotation of the upper spray arm. The maximum recommended diameter of the plates in front of the detergent dispenser is 19 cm so as not to obstruct its opening.



Filling the flatware compartment

Flatware should be placed separately in the compartment in the appropriate places. Do not place flatware too close together to prevent insufficient washing.

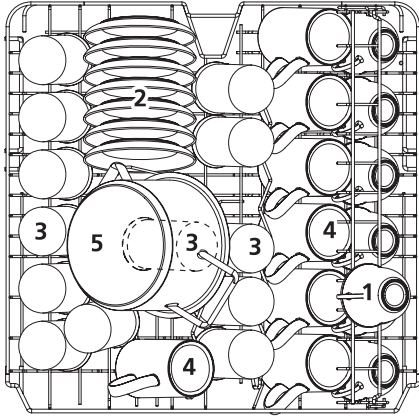
WARNING:

Make sure that no object can pass through the bottom. Always load sharp objects with blades downward!

Filling of baskets according to EN60436

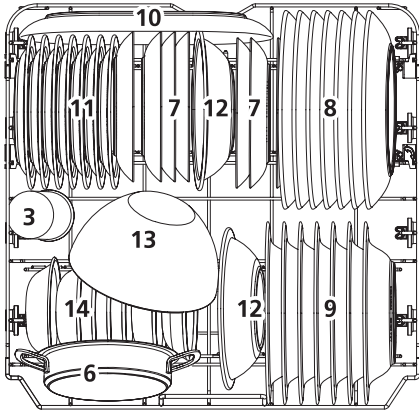
Fully filling the dishwasher helps save energy and water.

Upper basket



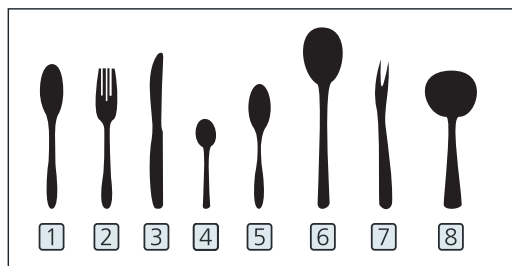
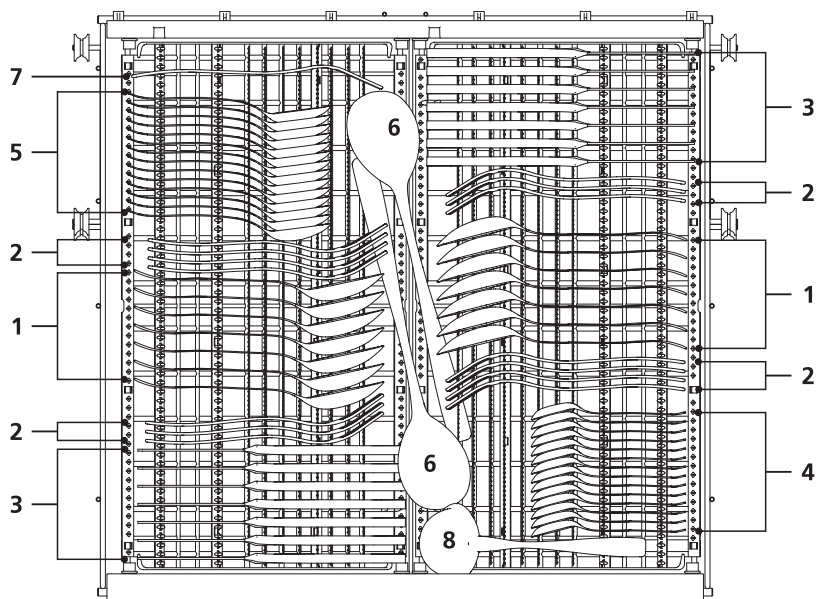
1. Cups
2. Saucers
3. Glasses
4. Mugs
5. Small pots

Bottom basket



6. Pans
7. Desert plates
8. Shallow plates
9. Deep plates
10. Oval plates
11. Melamine dessert plates
12. Melamine bowls
13. Glass bowls
14. Dessert bowls

Cutlery compartment



1. Soup spoons
2. Forks
3. Blades
4. Teaspoons
5. Dessert spoons
6. Serving spoons
7. Serving forks
8. Ladles

Information for comparability

Tested to EN60436

Capacity: 14 dish sets

Upper basket position: lower position

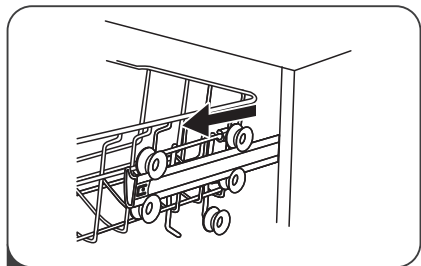
Program: ECO

Polishing settings: Max.

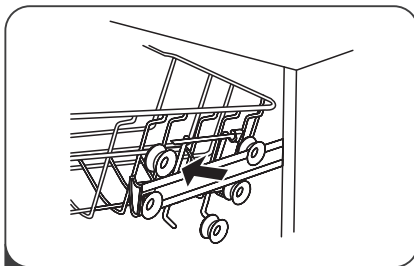
Setup of the softener H3

Adjusting the the upper basket position

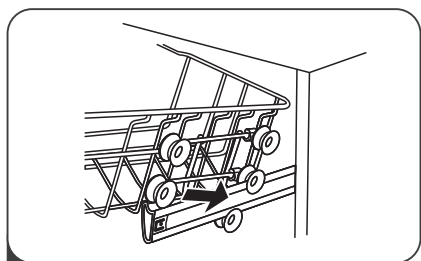
The height of the upper basket can be easily adjusted to accommodate taller dishes in the upper or lower basket. To adjust the height of the upper basket, follow these instructions.

Option 1:

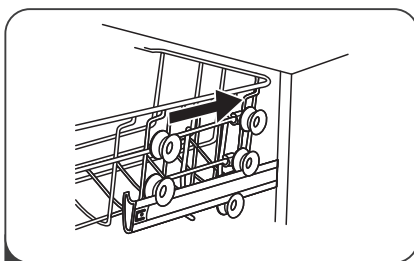
1 Pull out the upper basket.



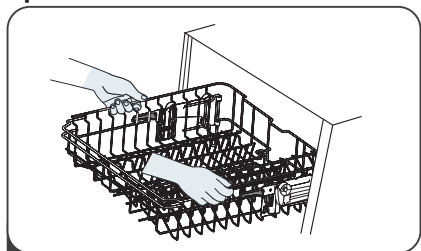
2 Take out the upper basket.



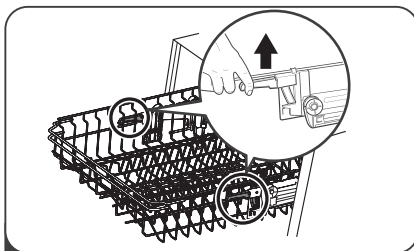
3 Reinstall the upper basket on the upper or lower casters.



4 Slide the upper basket in.

Option 2:

1 To lift the upper basket, simply lift the upper basket by gripping the middle of each side until the basket locks in the top position. No need to lift the adjustment handle.



2 To lower the position of the upper basket, lift the adjustment handles on either side to release the basket and lower it to the lower position.

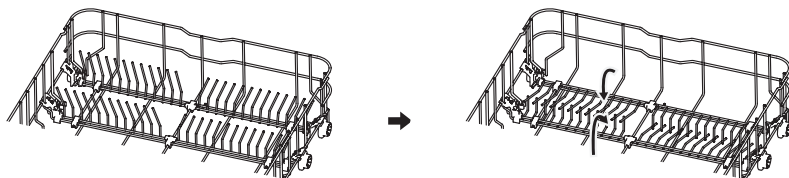
Open the glass compartments

To make room for taller items in the upper basket, lift the glass holder up. You can then lean tall objects against it.

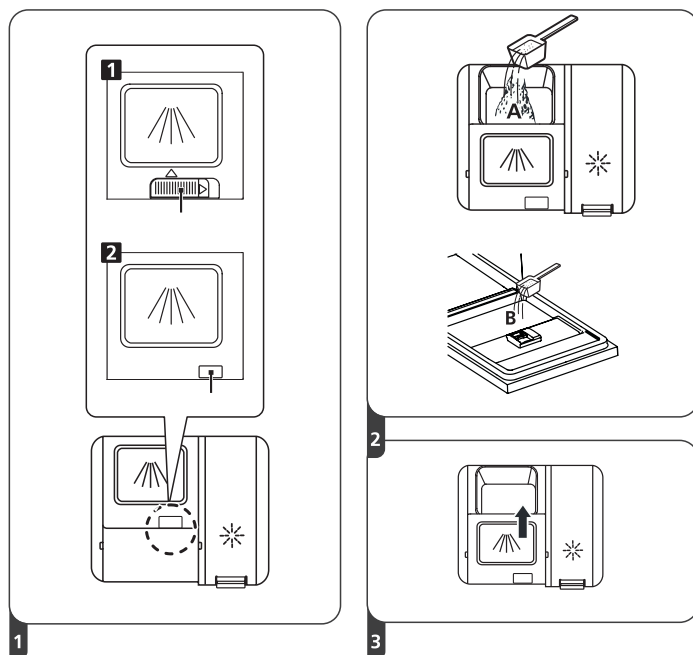


Folding plate compartments

The compartments in the lower basket are used to store plates. They can be folded to give you more space for large items.



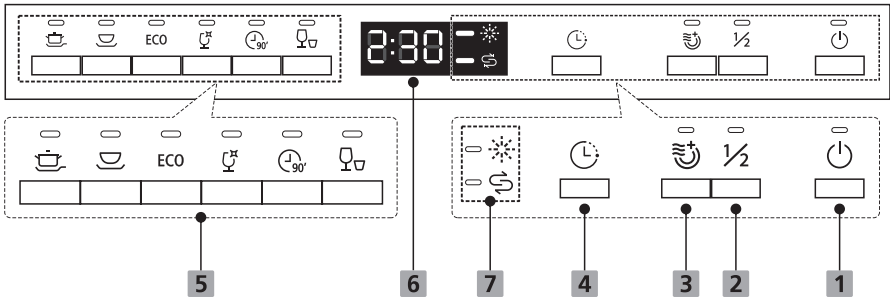
DETERGENT FILLING (TABLETS)



1. Choose the opening method of the lid according to your model.
 - Open the cap by sliding the catch (1).
 - Open the cap by pressing the catch (2).
2. For the main wash cycle, add detergent to the larger opening (A). For better cleaning results, especially if your dishes are very dirty, pour a small amount of detergent on the door. The additional detergent is consumed during the pre-wash phase.
3. Close the flap by sliding it forward and pushing it down.

Note: Read the recommendations of the manufacturer on the detergent's packaging.

CONTROL PANEL AND PROGRAMME SELECTION (EDI 100363)



1 Power

Press this button to switch the dishwasher on, the screen will light up.

2 Half load

If you have approximately half or less than half of the dishes to wash, you can select this function to save energy and water (not to be used with the Quick Wash programme).

3 Extra drying

For better dried dishes (can only be used with the Intensive, Universal, ECO, Glass and 90 min programmes). When you press this button, the corresponding indicator will light up.

4 Delayed start

Press this button to set the washing delay hours. You can delay the start of washing by up to 24 hours. One press of this button delays the start of washing by one hour.

5 Programme indicator

Displays the selected programme (see table below).

6 Screen

Display of remaining programme time and time of delay, error code, etc.

7 Warning indicators



Polish

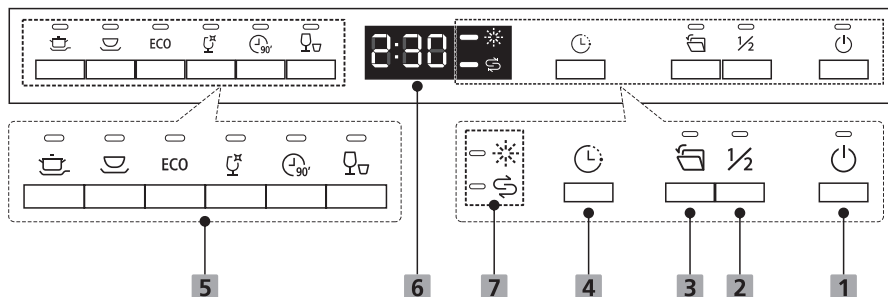
If the polish indicator lights up, the dishwasher is low on polish and needs to be refilled.



Salt

If the salt indicator lights up, it means that the dishwasher is low on salt and needs to be refilled.

CONTROL PANEL AND PROGRAMME SELECTION (EDI 300163)



1 Power

Press this button to switch the dishwasher on, the screen will light up.

2 Half load

If you have approximately half or less than half of the dishes to wash, you can select this function to save energy and water (not to be used with the Quick Wash programme).

3 Auto Open

After washing, the door will open automatically to achieve better drying effect. It can only be used with Intensive, Universal, ECO, Glass, 90 min.

4 Delayed start

Press this button to set the washing delay hours. You can delay the start of washing by up to 24 hours. One press of this button delays the start of washing by one hour.

5 Programme indicator

Displays the selected programme (see table below).

6 Screen

Display of remaining programme time and time of delay, error code, etc.

7 Warning indicators



Polish

If the polish indicator lights up, the dishwasher is low on polish and needs to be refilled.



Salt

If the salt indicator lights up, it means that the dishwasher is low on salt and needs to be refilled.

Table of wash programmes (EDI 100363)

Programme	Programme description	Suitable dishes	Amount of detergent (pre-wash / wash)	Duration (min)	Energy (kWh)	Water consumption (l)	Polish
 Intensive	Pre-wash (50 °C) Wash (65 °C) Rinsing Rinsing Rinse (65 °C) Drying	Heavily soiled dishes, including pots and pans with dried-on residue.	4/18 g 1 or 2 tablets	205	1.621	17.8	Yes










Programme	Programme description	Suitable dishes	Amount of detergent (pre-wash / wash)	Duration (min)	Energy (kWh)	Water consumption (l)	Polish
 Universal	Pre-wash (45 °C) Wash (55 °C) Rinsing Rinse (65 °C) Drying	For normally soiled dishes, such as pots, plates, glasses and lightly dirty pans.	4/18 g 1 or 2 tablets	175	1.302	14.3	Yes
ECO *EN60436	Wash (45°C) Rinsing Rinse (60 °C) Drying	This is a standard programme suitable for normally soiled dishes, such as pots, plates, glasses and lightly soiled pans.	4/18 g 1 or 2 tablets	220	0.951	11.0	Yes
 Glass	Pre-wash Wash (50°C) Rinsing Rinse (65 °C) Drying	For lightly soiled dishes and glass-ware.	4/18 g 1 tablet	120	1.100	14.3	Yes
 90 min.	Wash (60°C) Rinsing Rinse (65 °C) Drying	For normally soiled dishes that need to be washed quickly.	22 g 1 tablet	90	1.350	11.7	Yes
 Rapid	Wash (50°C) Rinsing Rinse (45 °C)	Short wash for lightly soiled dishes which are not necessary to dry.	20 g 1 tablet	30	0.751	11.2	No

Table of wash programmes (EDI 300163)

Programme	Programme description	Suitable dishes	Amount of detergent (pre-wash / wash)	Duration (min)	Energy (kWh)	Water consumption (l)	Polish
 Intensive	Pre-wash (50 °C) Wash (65 °C) Rinse Rinse (60 °C) Drying	Heavily soiled dishes, including pots and pans with dried-on residue.	4/18 g 1/2 tablets	205	1.651	18.7	Yes
 Universal	Pre-wash (45 °C) Wash (55 °C) Rinse Rinse (60 °C) Drying	For normally soiled dishes, such as pots, plates, glasses and lightly dirty pans.	4/18 g 1/2 tablets	175	1.451	18.7	Yes

Programme	Programme description	Suitable dishes	Amount of detergent (pre-wash / wash)	Duration (min)	Energy (kWh)	Water consumption (l)	Polish
ECO *EN60436	Wash (50 °C) Rinse Rinse (50 °C) Drying	This is a standard programme suitable for normally soiled dishes, such as pots, plates, glasses and lightly soiled pans.	22 g 1/2 tablets	198	0.849	11.0	Yes
 Glass	Pre-wash (40 °C) Wash (50 °C) Rinse Rinse (50 °C) Drying	For lightly soiled dishes and glassware.	4/18 g 1/2 tablets	120	0.902	15.2	Yes
 90 min.	Wash (55 °C) Rinse Rinse (50 °C) Drying	For normally soiled dishes that need to be washed quickly.	22 g 1/2 tablets	90	0.891	11.5	Yes
 Rapid	Wash (40 °C) Rinse (40 °C) Rinse (55 °C)	Short wash for lightly soiled dishes which are not necessary to dry.	12 g 1 tablet	30	0.781	11.0	No

* The ECO programme is suitable for cleaning normally soiled dishes, is the most efficient programme for this use in terms of combined energy and water consumption and is used to assess compliance with EU ecodesign directives.

Save Power

- Pre-rinsing dishes leads to increased water and energy consumption and is not recommended.
- Washing dishes in a household dishwasher usually uses less energy and water than washing dishes by hand, if the household dishwasher is used as instructed.

Program start

1. Pull out both baskets, fill them with dishes and load them back. We recommend filling the lower basket first and then the upper one.
2. Insert detergent.
3. Connect the power supply to a mains outlet. See the product information sheet for power supply information. Check that the water supply is fully open.
4. Close the door and press the power button.
5. Select a programme, the response light will come on. Then close the door and the dishwasher will start the wash cycle.

Changing the programme during washing

The programme can only be changed if it has only been running for a short period of time, otherwise detergent may have already been released or water and detergent have already been discharged. The dishwasher should then be switched off and the detergent tank refilled. To reset the dishwasher, follow the instructions below:

1. Open the door to stop the wash cycle.

2. Press the Programme button for more than three seconds and the appliance will switch to the programme selection mode.
3. You can change the programme to the desired cycle setting.

MAINTENANCE AND CLEANING

Exterior of the appliance

Doors and door seals

Clean the door seals regularly with a soft, damp cloth to remove food deposits. When the dishwasher is being filled, food and drink residues may drip down the sides of the dishwasher door. These areas are outside the wash cabinet and water from the spray arms cannot reach them. Any deposits must be wiped off before closing the door.

Control panel

If cleaning is required, wipe the control panel with a soft damp cloth only.

WARNING:

Do not use any spray cleaners, they could cause water to enter the door lock and electrical components. Never use abrasive cleaners or steel wools on external surfaces as they may scratch the surface. Some paper towels can also scratch or leave marks on the surface.

Inside of the appliance

Filtration system

A filtration system at the bottom of the wash cabinet collects coarse dirt from the wash cycle, including foreign objects such as toothpicks or shards. The collected coarse dirt can cause clogging of the filters. Regularly check the condition of the filters, carefully remove foreign objects and clean parts of the filtration system with water if necessary. Follow the instructions below to clean the filter.

1. Hold the coarse filter and turn it counterclockwise to unlock it. Lift the filter up and remove it from the dishwasher.
2. The fine filter can be removed from the bottom of the filtration assembly. The coarse filter can be separated from the main filter by gently pressing the tabs at the top and pulling it out.
3. Larger food residues can be cleaned by rinsing the filter under running water. For a more thorough cleaning, use a soft cleaning brush.
4. Reassemble the filters in the reverse order of disassembly, replace the filter insert and turn it clockwise to the closing arrow.

WARNING:

- Do not tighten the filters too much. Put the filters back in the correct order, otherwise coarse dirt could enter the dishwasher and cause a blockage.
- Never use the dishwasher without the filters in place. Incorrect replacement of a filter may reduce the performance of the appliance and damage dishes and the appliance.

Spray arms

Regular cleaning of the spray arms of chemicals from hard water is important because emerging limescale clogs jets and bearings.

To clean the washer arms, follow the instructions below:

1. To remove the upper washer arm, hold the nut in the middle and turn the washer arm counterclockwise.
2. To remove the lower spray arm, pull it upwards.
3. Rinse the spray arms in warm, soapy water and clean the jets using a soft brush.

TROUBLESHOOTING

Before calling the service centre

If you read the content of the tables on the following pages, you may not need to call the service centre.

Problem	Possible cause	What to do
The dishwasher does not start.	A blown fuse or circuit breaker has blown the circuit.	Replace the fuse or switch back the breaker. Disconnect all other electrical appliances sharing the same mains circuit with the dishwasher.
	The power is not on.	Make sure the dishwasher is turned on and the door is properly closed. Make sure that the power cord plug is securely plugged into the wall outlet.
	Water pressure is low.	Make sure the water supply is connected properly and the supply valve is open.
	The dishwasher door is not properly closed.	Check that the door is properly closed.
No water is drained from the dishwasher.	Over-twisted or trapped drain hose.	Check the drain hose.
	The filter is clogged.	Check the filtration system.
	The kitchen sink is clogged.	Check the kitchen sink to make sure it drains well. If the water does not drain from the sink, contact a plumber.
Soaps in the sump.	Wrong detergent.	Use only special dishwasher detergents to prevent foaming. If foam forms, open the dishwasher door and let the foam disappear. Pour 1 litre of cold water into the sump. Close the dishwasher door and select any programme. Initially, the dishwasher will drain the water. When the draining phase is complete, open the door and check if the foam has disappeared. Repeat if necessary.
	Overflowing polish.	Always wipe off any excess polish immediately.
Rusted interior of the sump	Detergent with dye may have been used.	Make sure you use a dye-free product.
White coating on the inner surface.	Hard water scale.	To clean the interior, use a sponge soaked in detergent for dishwashers. Use rubber gloves. Never use any other cleaner than for dishwasher to prevent formation of foaming or suds.

Problem	Possible cause	What to do
Rust stains remain on the flatware.	This flatware is not corrosion resistant.	Do not wash items that are not corrosion-resistant in the dishwasher.
	The dishwasher will not start after adding salt. Salt has entered the wash cycle.	After adding salt, always start the dishwashing programme without dishes. Do not turn on the Turbo function (if available) after adding salt to the dishwasher.
	The salt softener lid is loose.	Check that the softener lid is firmly secured.
Clattering in the dishwasher.	The spray arm is hitting an object in the basket.	Interrupt the programme and rearrange the dishes that are obstructing the spray arm.
Rattling in the dishwasher.	The porcelain dishes are too loose inside.	Stop the programme and rearrange the dishes.
Pounding in the water pipes.	This may be due to local installation or pipe cross-section size.	This has no effect on the function of the dishwasher. If in doubt, contact a qualified plumber.
The dishes aren't clean.	The dishes were not arranged properly.	See preparing and loading dishes.
	An insufficiently powerful programme was chosen.	Select a more powerful programme.
	Not enough detergent has been released.	Add more detergent or use a different type.
	Pieces of dishes interfere with the movement of the spray arms.	Rearrange the dishes so that they do not obstruct the spray arms.
	Filtration system in the bottom of the wash compartment is not properly seated or is not clean. This can cause the spray jets to become blocked.	Clean the filter or assemble its parts together properly. Clean the spray jets.
Coating on glassware.	The combination of soft water and an excessive amount of detergent.	If you are using soft water, use less detergent for glass washing and select a shorter programme.
White spots appear on dishes and glasses.	Hard water areas can cause limescale build-up.	Check the water softener settings or the salt reservoir fill level.
Black or grey spots on the dishes.	Aluminium objects came into contact with other dishes.	To remove these stains use a mild abrasive cleaner.
Detergent remained in the dispenser container.	Dishes were covering the dispenser container.	Rearrange the dishes.

Problem	Possible cause	What to do
Dishes will not dry.	Incorrect placement in the basket.	If there is any detergent residue on the dishes, wear gloves to prevent skin irritation.
	The dishes were removed too soon.	Do not remove the dishes immediately after washing. Open the door to allow steam to escape. Remove the dishes until the internal temperature is safe to touch. Empty the lower basket first to prevent water dripping from the upper basket.
	Wrong program has been selected.	In a short programme, the washing temperature is lower, reducing the washing performance. Select a programme with a longer washing process.
	Use of flatware with poor quality surface	Drying such items is much more challenging. Such flatware and dishes are not suitable for washing in dishwashers.

WARNING:

Self- or non-professional repair can cause serious safety hazards to the user of the appliance and affect the warranty.

ERROR CODES AND THEIR MEANING

Code	Meaning	Possible cause
E1	The water is taking longer than expected to fill.	The valve is closed, the water pressure is too low or the water supply has been interrupted.
E3	The desired temperature could not be reached.	Heating element malfunction.
E4	Water overflow.	Water leakage occurred.
Ed	Electronic communication error.	A short circuit or electronic circuit failure has occurred.

USE AND DISPOSAL OF WASTE

Wrapping paper and corrugated paperboard – deliver to scrapyard. Packing foil, PE bags, plastic elements – throw into plastic recycling containers.

DISPOSAL OF PRODUCTS AT THE END OF LIFETIME

Disposal of electric and electronic equipment (valid in EU member countries and other European countries with an implemented recycling system)

The represented symbol on the product or package means the product shall not be treated as domestic waste. Hand over the product to the specified location for recycling electric and electronic equipment. Prevent negative impacts on human health and the environment by properly recycling your product. Recycling contributes to preserving natural resources. For more information on the recycling of this product, refer to your local authority, domestic waste processing organization or store, where you purchased the product.



08/05



This product complies with EU directives on electromagnetic compatibility and electrical safety.

The operating manual is available at www.ecg-electro.eu.

Changes of text and technical parameters reserved.

Please refer to the attached Warranty Sheet or www.ecg-electro.eu for professional service of this product.

- The warranty for this product is 24 months.
- Spare parts listed in EU 2019/2022 are available for 7 or 10 years depending on the type of spare part.
- You can access the product database, where model information is stored (according to EU 2019/2017) by reading the QR code on the energy label.

SICHERHEITSHINWEISE

Bitte aufmerksam lesen und gut aufbewahren!

Deutsch

Warnung: Die in dieser Anleitung angeführten Sicherheitsvorkehrungen und Hinweise umfassen nicht alle Umstände und Situationen, zu denen es kommen kann. Der Anwender muss begreifen, dass der gesunde Menschenverstand, Vorsicht und Sorgfalt zu Faktoren gehören, die sich in kein Produkt einbauen lassen. Diese Faktoren müssen durch den Anwender bzw. mehrere Anwender bei der Verwendung und Bedienung dieses Geräts gewährleistet werden.

Wir haften nicht für Schäden, die durch Transport, eine unsachgemäße Verwendung, Spannungsschwankungen sowie eine Änderung oder Modifikation des Geräts entstehen.

Befolgen Sie die in dieser Bedienungsanleitung angeführten Hinweise. Lesen Sie vor der Erstanwendung die schriftliche Bedienungsanleitung eingehend durch und bewahren für den künftigen Gebrauch auf.

Um das Risiko von Bränden oder Stromschlägen zu vermeiden, sollten bei der Verwendung elektrischer Geräte immer grundlegende Vorsichtsmaßnahmen befolgt werden, einschließlich der folgenden:

1. Dieses Gerät kann von Kindern über 8 Jahren und von Personen mit eingeschränkten körperlichen und geistigen Fähigkeiten sowie von Personen ohne Erfahrung und Kenntnis des Geräts verwendet werden, sofern sie beaufsichtigt oder über eine sichere Verwendung des Geräts belehrt werden, so dass ihnen die mit der Verwendung verbundenen Gefahren verständlich sind. Kinder dürfen nicht mit dem Gerät spielen. Kinder dürfen das Gerät nicht ohne Aufsicht reinigen oder anderweitig warten.
2. Geben Sie in den Korb keine unangebrachten oder schweren Gegenstände. Überfüllen Sie nicht den Korb. Der Hersteller haftet nicht für die Beschädigung der inneren Geräteteile, die auf eine falsche Anwendung des Geräts zurückzuführen sind.
3. Öffnen Sie nicht die Gerätetür im Laufe des Waschzyklus. Sollten Sie die Tür während des Waschzyklus öffnen, wird das Gerät durch die Sicherheitsvorrichtung gestoppt.

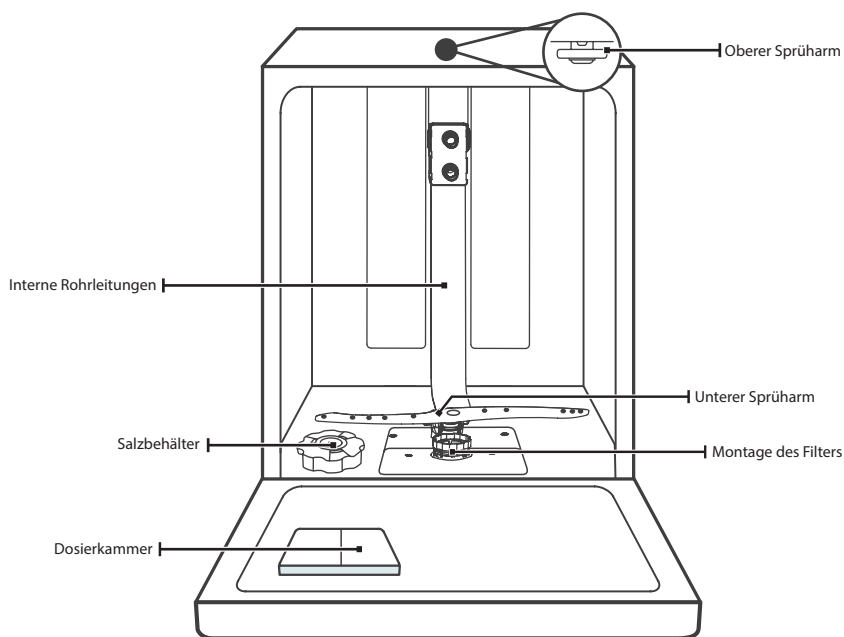
4. Schließen Sie die Tür, damit es zu keinen Unfällen kommt. Lassen Sie die Tür der Spülmaschine nicht offen, da es zu einem Stolperunfall kommen könnte.
5. **Warnung:** Messer und andere Haushaltsutensilien mit scharfen Spitzen müssen mit den Spitzen nach unten in den Korb gelegt oder horizontal positioniert werden.
6. Ein beschädigtes Stromkabel dürfen nur der Hersteller, ein Wartungstechniker oder eine vergleichbar qualifizierte Person austauschen.
7. Bei aktiver Funktion EnergySave, wird die Tür nach Programmende geöffnet. Üben Sie keinen Druck auf die geschlossene Tür aus, damit der Türmechanismus nicht beschädigt wird. Für eine wirkungsvolle Trocknung sollte die Tür nach 30 Minuten geöffnet werden (bei Modellen mit einem automatischen Öffnen der Tür).
8. **Warnung:** Stehen Sie nicht in unmittelbarer Nähe der Tür, nachdem das akustische Signal für das automatische Öffnen der Tür ertönt.
9. Das Verpackungsmaterial sollte außer Reichweite von Kindern aufbewahrt werden.
10. Kinder dürfen nicht mit dem Gerät oder es einschalten.
11. Waschmittel sollten außer Reichweite von Kindern aufbewahrt werden.
12. Kinder dürfen sich nicht in der Nähe des Verbrauchers aufhalten, wenn die Tür nach Ablauf des Waschprogrammes geöffnet wird, da sich im Geräteinneren Waschmittelreste befinden können.
13. Achten Sie darauf, dass Kinder und Haustiere während des Betriebs in sicherer Entfernung vom Gerät gehalten werden.
14. Vergewissern Sie sich, dass ein ausgedienter Verbraucher keine Gefahr für Ihre Kinder darstellt. Es sind Fälle bekannt, in denen Kinder in einem ausgedienten Verbraucher stecken geblieben sind. Brechen Sie das Schloss des ausgedienten Verbrauchers und schneiden das Stromkabel ab, um solche Situationen zu vermeiden.
15. Vergewissern Sie sich, dass die Wasserleitung und das Elektrogerät von einem qualifizierten Techniker gemäß den Anweisungen des

Herstellers und den örtlichen Sicherheitsvorschriften angeschlossen werden.

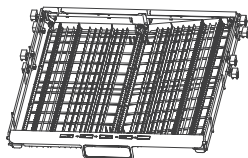
16. Eingriffe, die nicht durch Angestellte einer autorisierten Kundendienststelle vorgenommen werden, führen zum Verlust des Garantieanspruchs.
17. Ehe Sie eine Reparatur des Verbrauchers vornehmen, sollten Sie sich vergewissern, dass der Verbraucher vom Stromnetz getrennt ist. Schalten Sie die Sicherung aus oder trennen den Verbraucher vom Stromnetz, indem Sie das Stromkabel aus der Steckdose ziehen. Ziehen Sie am Stecker und nicht am Kabel, wenn Sie das Stromkabel herausziehen. Vergewissern Sie sich, dass Sie alle Wasserzuleitungen gesperrt haben.
18. Dieses Gerät ist für die Anwendung im Haushalt und in vergleichbaren Räumlichkeiten bestimmt:
- Küchenzeilen in Geschäften, Büros und anderen Arbeitsplätzen.
 - in der Landwirtschaft.
 - von Gästen in Hotels, Motels und anderen Unterbringungseinrichtungen.
 - in Betrieben, die Übernachtung und Frühstück anbieten.
19. Verwenden Sie ein neues Schlauch-Set, das zusammen mit dem Gerät geliefert wurde. Benutzen Sie keine alten Schlauch-Sets.
20. Trennen Sie das Gerät nach der jeder Anwendung vom Stromnetz und schließen alle Wasserzuleitungen.
21. Stecken Sie zu Ihrer Sicherheit den Stecker des Netzkabels in eine geerdete dreipolige Steckdose. Vergewissern Sie sich vorsichtig, dass die Steckdose korrekt und zuverlässig geerdet ist.
22. Entfernen Sie vor der Verwendung des Geräts sorgfältig alle Verpackungselemente und die Transportsicherung. Andernfalls kann es zu schweren Schäden am Gerät kommen.
23. Installieren Sie die Spülmaschine nicht in nassen oder feuchten Räumen oder in Räumen mit explosiven und ätzenden Gasen.
24. Treten oder setzen Sie sich nicht auf die Spülmaschine.
25. Stützen Sie sich nicht auf die Tür der Spülmaschine.

26. Schließen Sie die Tür nicht gewaltsam. Wenn sich die Tür der Spülmaschine nur schwer schließen lässt, überprüfen Sie, ob nicht zu viel Geschirr in der Spülmaschine steht oder ob das Geschirr gut verteilt ist.
27. Es ist verboten leicht entzündliche, explosive und toxische Lösungsmittel zu benutzen. Verwenden Sie kein Benzin oder Alkohol usw. als Reinigungsmittel.
28. Wenn das Spülprogramm beendet ist, warten Sie und öffnen Sie dann vorsichtig die Tür der Spülmaschine.
29. Wenn Sie die Tür der Spülmaschine öffnen, achten Sie auf den aufsteigenden heißen Dampf, der bei Unachtsamkeit zu gesundheitlichen Komplikationen führen kann.

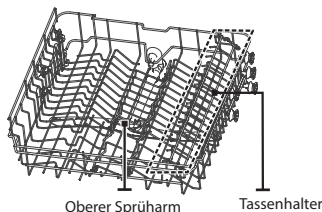
PRODUKTBESCHREIBUNG



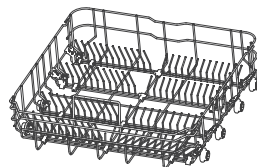
Besteckkorb



Oberkorb



Unterkorb



Bemerkung: Bilder sind nur als Anhaltspunkte zu verstehen, verschiedene Modelle können variieren.

INSTALLATIONSHINWEISE

GEFAHR EINES STROMSCHLAGS!

Trennen Sie die Spülmaschine vor der Installation vom Stromnetz. Die Nichtbeachtung kann zu einem tödlichen Stromschlag führen.

Die Installation von Rohrleitungen und elektrischen Anschlüssen muss von Fachleuten vorgenommen werden.

Anschluss an das Stromnetz

Anforderungen an die Stromversorgung

Vergewissern Sie sich auf dem Etikett des Geräts, dass die Nennspannung mit der Netzspannung übereinstimmt, an die das Gerät angeschlossen werden soll. Der Stromkreis darf nur für die Spülmaschine bestimmt sein und muss durch eine 10/13/16 A Sicherung, eine Zeitsicherung oder einen Schutzschalter geschützt sein.

Elektroanschluss

Vergewissern Sie sich, dass die Versorgungsspannung und -frequenz mit den Werten auf dem Typenschild des Geräts übereinstimmen. Schließen Sie das Netzkabel nur an eine ordnungsgemäß geerdete Netzsteckdose an. Wenn die Steckdose, an die das Gerät angeschlossen werden soll, nicht mit dem Stecker des Netzkabels übereinstimmt, tauschen Sie die Steckdose aus. Bei der Verwendung des Adapters besteht die Gefahr von Überhitzung und Entzündung.

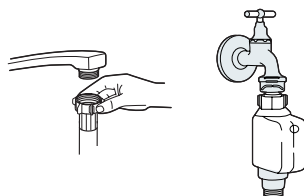
- **Vergewissern Sie sich vor der Verwendung, dass das Gerät ordnungsgemäß geerdet ist.**

Wasserversorgung und Ablaufschlauch

Die Wasserleitungen müssen für die Installation der Spülmaschine vorgesehen sein. Weiter empfehlen wir, am Wassereingang einen Filter zu installieren, um eine Beschädigung des Verbrauchers infolge einer Kontamination durch Schmutz (Sand, Lehm, Rost usw.) zu vermeiden, der sich in der Wasserleitung oder der hauseigenen Wasserleitung befindet. Auf diese Weise beugen Sie der Gelbfärbung von Geschirr und dem Ansammeln von Schmutz im Verbraucher vor.

Kaltwasseranschluss

Schließen Sie den Kaltwasser-Zulaufschlauch an die Schraubverbindung mit einem Durchmesser von 3/4 Zoll an. Vergewissern Sie sich, dass der Schlauch gut befestigt wurde. Sollte die Zulaufleitung neu sein oder wurde diese lange nicht benutzt, lassen Sie zunächst etwas Wasser ab, damit die Zulaufleitung gereinigt wird. Dadurch wird eine mögliche Verstopfung der Wasserzufuhr und eine Beschädigung des Geräts verhindert.



Sicherheitszulaufschlauch

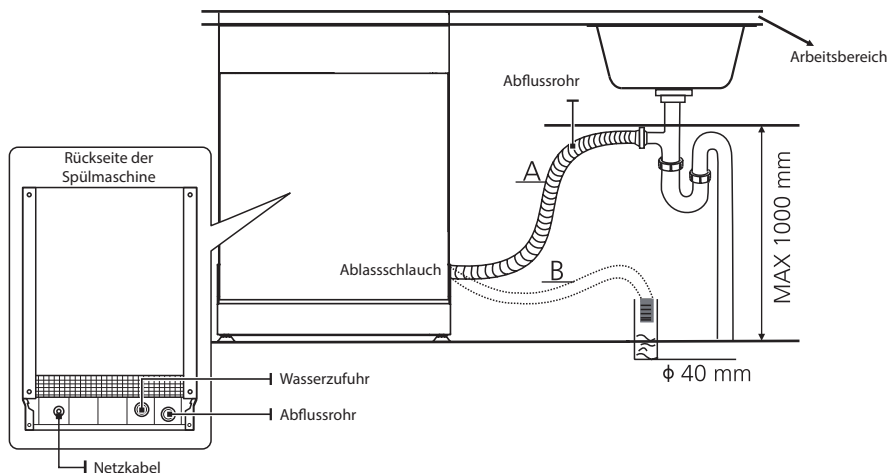
Der Schlauch hat eine doppelte Wand. Das Schlauchsystem sorgt dafür, dass der Wasserfluss geschlossen wird, wenn der Schlauch getrennt oder wenn Wasser in den Bereich der Doppelwand des Schlauches gelangt.

Anschließen des Sicherheitsschlauchs für die Wasserversorgung

1. Ziehen Sie den Sicherheits-Zulaufschlauch an der Rückseite der Spülmaschine vollständig heraus.
2. Setzen Sie das Endstück an die Wasserzuleitung mit 3/4 Gewinde auf und ziehen Sie die Verschraubung fest.
3. Öffnen Sie den Zuleitungshahn vor dem Gebrauch der Spülmaschine.

Anschließen des Ablaufschlauches

Schließen Sie den Ablaufschlauch an das Abflussrohr mit einem Mindestdurchmesser von 4 cm an oder legen Sie ihn in das Waschbecken, wobei er nicht gebogen oder geknickt sein kann. Der Schlauchausgang muss sich in einer Höhe von weniger als 1000 mm befinden. Das freie Ende des Schlauches darf nicht in Wasser getaucht werden, um einen Wasserrückfluss zu verhindern.



Entfernen von Restwasser aus dem Schlauch

Wenn der Anschluss an die Ablaufleitung höher als 1000 mm liegt, kann überschüssiges Wasser im Ablaufschlauch bleiben. Lassen Sie in diesem Fall muss das Restwasser aus dem Schlauch in eine Schüssel oder ein anderes geeignetes Gefäß abfließen, das sich unterhalb des Spülbeckens befindet.

Wasserablauf

Anschluss des Ablaufschlauches. Der Ablaufschlauchschlauch muss perfekt abdichten, damit kein Wasser aus der Verbindungsstelle austritt. Achten Sie darauf, dass der Ablaufschlauch nicht verdreht oder geknickt ist.

Verlängerungsschläuche

Wenn Sie den Ablaufschlauch verlängern möchten, verwenden Sie einen ähnlichen Typ. Er darf nicht länger als 4 m sein, da sonst die Leistung der Spülmaschine beeinträchtigt wird.

Anschluss der Wasserabspernung

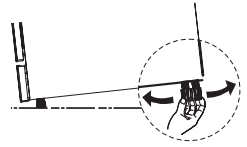
Der Anschluss des Ablaufschlauches muss maximal 1000 mm über dem Boden der Spülmaschine liegen.

Platzierung der Spülmaschine

Stellen Sie das Gerät an den gewünschten Ort. Die Rückseite sollte der Wand zugewandt sein und die Seiten sollten angrenzenden Schränken oder Wänden zugewandt sein. Die Spülmaschine ist mit Schläuchen für den Wasserzulauf und -ablauf ausgestattet, die rechts und links positioniert werden können und somit eine ideale Installation ermöglichen.

Ausrichten der Spülmaschine

Sobald die Spülmaschine an ihrem Platz ist, kann ihre Höhe mit den Einstellschrauben an der Unterseite angepasst werden. Die Spülmaschine darf nicht um mehr als 2° geneigt werden.

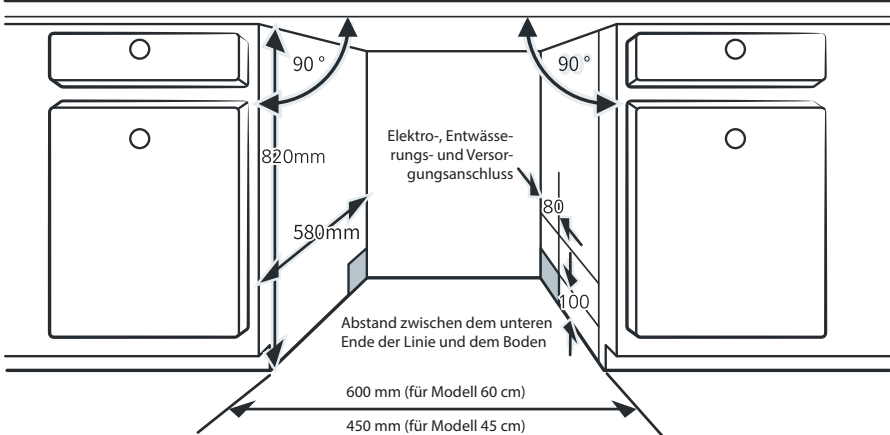


Einbau-Spülmaschine

Die Wahl des besten Standorts für Ihren in der Spülmaschine

Die Spülmaschine sollte in der Nähe der Zu- und Abflussleitungen sowie der Stromversorgung installiert werden. Abbildung der Schrankabmessungen und Einbauposition der Spülmaschine.

- Die Einbaumaße sind so angegeben, dass der Abstand zwischen der Oberseite der Spülmaschine und der Oberseite des Schrankes weniger als 5 mm beträgt und die Tür in der Ebene der Schränke liegt.



- Wenn die Spülmaschine in einer Ecke aufgestellt ist, sollte beim Öffnen der Tür ein freier Raum vorhanden sein.

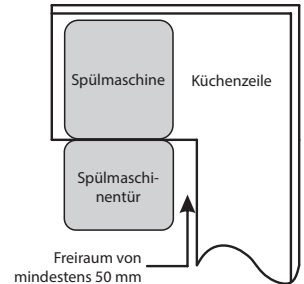
Je nachdem, wo sich die Steckdose befindet, müssen Sie eventuell ein Loch auf der gegenüberliegenden Seite des Schrankes schneiden.

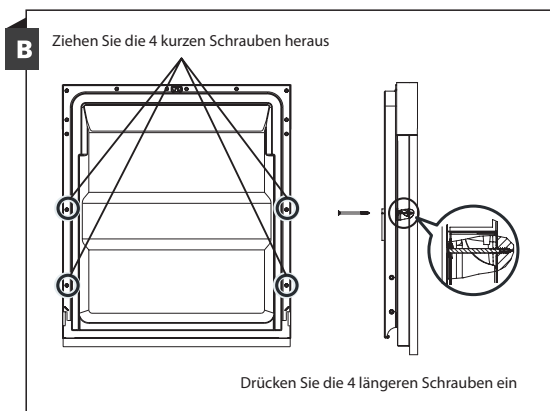
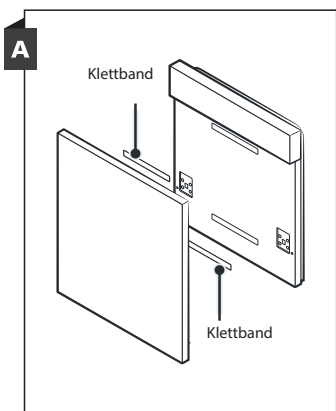
Abmessungen und Montage der dekorativen Frontplatte

Befolgen Sie beim Anbringen der dekorativen Frontplatte die für Ihr Gerätemodell geltende Vorgehensweise.

Teilintegriertes Modell

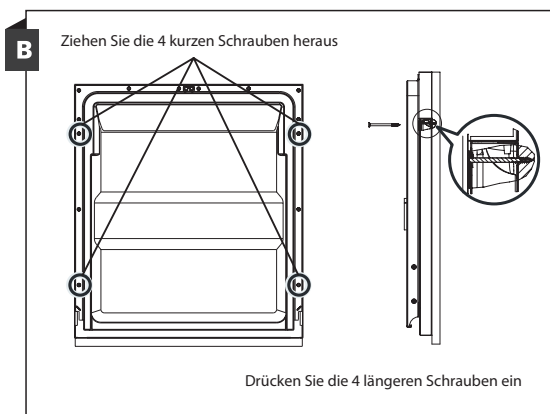
Trennen Sie den Klettverschlussstreifen A und den Klettverschlussstreifen B und befestigen Sie den Streifen A auf der Innenseite der Frontplatte. Befestigen Sie den Streifen B an der Außenseite der Spülmaschinentür (siehe Abbildung A). Positionieren Sie die Frontplatte und befestigen Sie sie mit den Schrauben an der Außentür (siehe Abbildung B).





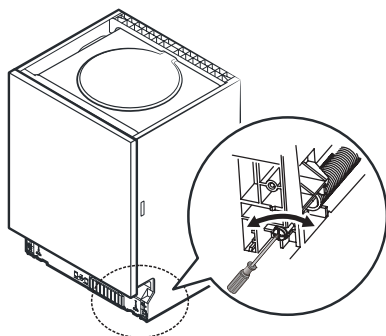
Vollständig eingebautes Modell

Installieren Sie die Haken an der Frontplatte und stecken Sie sie in die Löcher der Außentür der Spülmaschine (siehe Abbildung A). Positionieren Sie die Frontplatte und befestigen Sie sie mit den Schrauben an der Außentür (siehe Abbildung B).



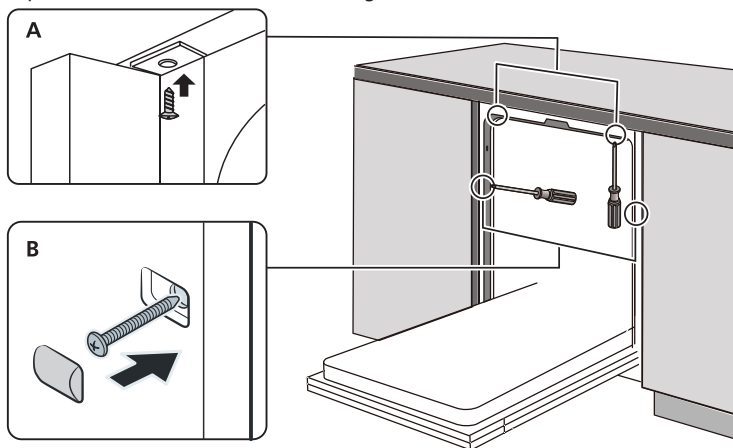
Einstellung des Türfederwiderstands

1. Die Türfedern sind werkseitig auf den richtigen Widerstand für die Außentür eingestellt. Wenn dekorative Frontplatten installiert werden, muss der Widerstand der Türfedern neu eingestellt werden. Spannen oder lockern Sie das Stahlseil durch Drehen der Einstellschraube.
2. Der Widerstand der Türfeder ist richtig, wenn die Tür in der vollständig geöffneten Position waagrecht bleibt, aber durch ein leichtes Anheben des Fingers hebt und schließt.



Installation der Spülmaschine

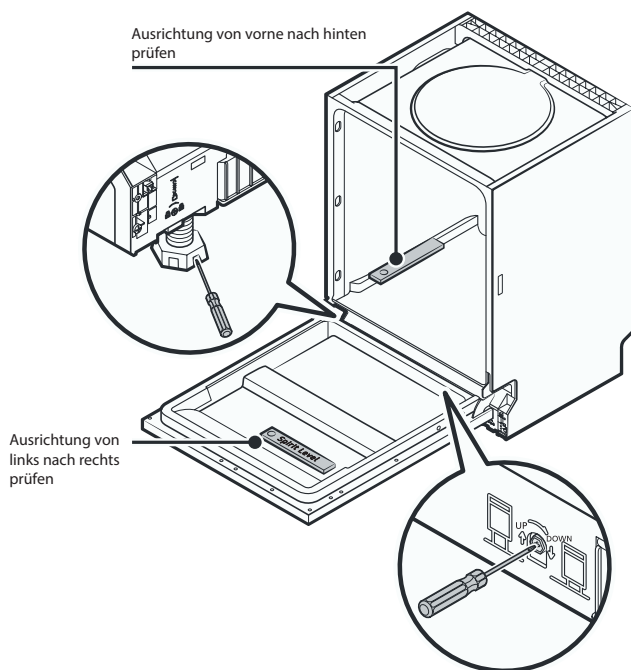
1. Befestigen Sie die Kondensationsleiste unter der Arbeitsfläche der Küchenzeile. Achten Sie darauf, dass die Kondensationsleiste entlang der Kante der Arbeitsfläche läuft.
2. Schließen Sie den Versorgungsschlauch an die Kaltwasserleitung an.
3. Schließen Sie den Ablaufschlauch an.
4. Schließen Sie das Netzkabel an.
5. Stellen Sie die Spülmaschine in die Küchenzeile.
6. Richten Sie die Spülmaschine aus. Die hinteren Füße können an der Vorderseite der Spülmaschine durch Drehen der Schraube in der Mitte des Spülmaschinebodens eingestellt werden. Verwenden Sie einen Kreuzschlitzschraubendreher. Verwenden Sie zum Einstellen der vorderen Füße einen Schlitzschraubendreher und drehen Sie die vorderen Füße, bis die Spülmaschine eben steht.
7. Bringen Sie die Möbeltür an der Außentür der Spülmaschine an.
8. Stellen Sie den Widerstand der Türfeder ein, indem Sie den Kreuzschlitzschraubendreher im Uhrzeigersinn drehen. Die Nichtbeachtung dieses Verfahrens kann zu Schäden an in der Spülmaschine führen.
9. Die Spülmaschine muss vor Bewegung abgesichert sein. Dies kann auf zwei Arten geschehen:
 - A. Eine normale Arbeitsplatte: Führen Sie den Montagehaken in die Nut an der Seite ein und befestigen Sie ihn mit den Schrauben an der Arbeitsfläche.
 - B. Arbeitsplatte aus Marmor oder Granit: Befestigen Sie die Seite mit Schrauben.



Ausrichten der Spülmaschine

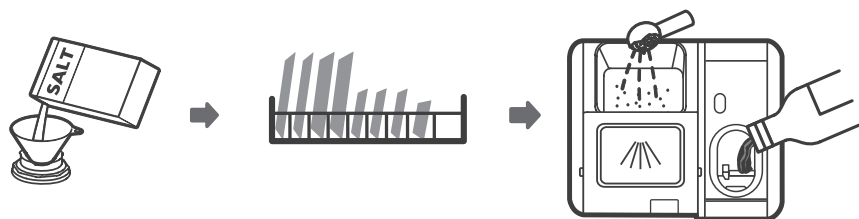
Die Spülmaschine muss waagrecht stehen, damit der Geschirrkorb und die Waschleistung richtig funktionieren.

1. Legen Sie eine Wasserwaage auf die Tür und die Schiene im Inneren der Wanne gemäß Abbildung und prüfen Sie, ob die Spülmaschine waagrecht steht.
2. Richten Sie die Spülmaschine aus, indem Sie die drei Einstellfüße individuell einstellen.
3. Achten Sie beim Ausrichten der Spülmaschine darauf, dass er nicht umkippt.



Die maximale Höhe der FüÙe betragt 50 mm.

VERWENDUNG DER SPÜLMASCHINE



1. Geben Sie Salz in den Entharter, stellen Sie die Wasserharte ein und fügen Sie bei Bedarf Klarspüler hinzu.
2. Vorbereiten Sie Geschirr und geben Sie es in die Spülmachine.
3. Füllen Sie die Dosierkammer.
4. Wählen Sie das Programm und starten Sie die Spülmachine.

FÜLLEN VON SALZ, EINSTELLEN DER WASSERHARTE UND FÜLLEN DES KLARSPÜLERS

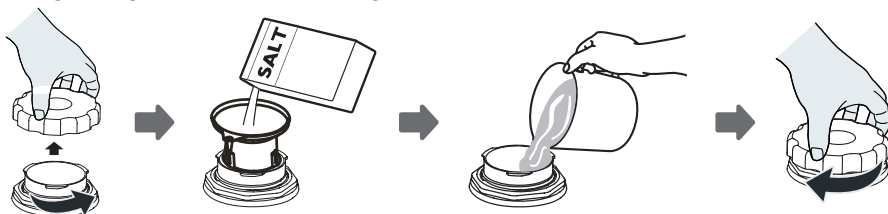
Verwenden Sie immer spülmachinefestes Salz. Der Salzbehalter befindet sich unter dem unteren Korb.

Warnung:

- Verwenden Sie ausschließlich Salz, das für Spülmachine vorgesehen ist! Andere Salzarten, die nicht für die Spülmachine geeignet sind, wie z. B. Kochsalz, beschadigen den Wasserentharter. Der Hersteller haftet für keinerlei Schaden infolge der Anwendung eines ungeeigneten Salztyps.

- Füllen Sie das Salz nur vor Zyklusbeginn. Dadurch wird verhindert, dass sich Salzkörner, die aus dem Behälter freigesetzt werden, über längere Zeit am Boden der Spülmaschine sammeln und dort einen Korrosionsprozess verursachen können.

Bei der Regulierung des Salzverbrauchs ist Folgendes zu beachten:



1. Entfernen Sie den unteren Korb und schrauben Sie den Behälterdeckel ab.
2. Benutzen Sie einen Trichter (Teil der Lieferung) und schütten Sie etwa 1,5 kg Salz in den Behälter hinein.
3. Füllen Sie Wasser in den Behälter nach. Gewöhnlich entkommt aus dem Behälter etwas Wasser.
4. Ziehen Sie nach dem Nachfüllen des Behälters den Deckel fest nach.
5. Wenn der Salzbehälter voll ist, erlischt die Salzanzeige.
6. Starten Sie sofort nach dem Befüllen des Salzbehälters ein Waschprogramm (wir empfehlen das Schnellwaschprogramm). Andernfalls kann das Salzwasser das Filtersystem, die Pumpe oder andere wichtige Komponenten beschädigen. In einem solchen Fall erlischt die Garantie.

Bemerkungen:

- Salz muss nachgefüllt werden, sobald auf dem Bedienfeld die Salzanzeige (☞) aufleuchtet. Aufgrund der Geschwindigkeit, mit der sich das Salz auflöst, kann die Salzanzeige auch nach dem Nachfüllen eine Weile leuchten bleiben. Wenn auf dem Bedienfeld keine Salzanzeige erscheint (bei einigen Typen), schätzen Sie die Zeit zum Nachfüllen von Salz in den Enthärter anhand der Anzahl der durchgeführten Waschgänge ab.
- Wenn Salz verschüttet wurde, lassen Sie ein Spül- oder Schnellprogramm laufen, um es zu entfernen.

Wasserenthärter

Stellen Sie den Wasserenthärter manuell oder mit dem Drehknopf ein. Der Wasserenthärter entfernt Mineralien und Salze aus dem Wasser, welche die Funktionsfähigkeit der Spülmaschine beeinträchtigen könnten. Je mehr Mineralien es enthält, desto härter ist das Wasser. Der Wasserenthärter kann je nach dem Härtegrad des Wassers in Ihrer Region eingestellt werden. Informationen über die Wasserhärte erhalten Sie bei Ihrem Wasserlieferanten.

Einstellung des Salzverbrauches

Sie können den Salzverbrauch in Abhängigkeit von der Wasserhärte regulieren. Auf diese Weise kann der Salzverbrauch optimiert und geregelt werden.

Bei der Regulierung des Salzverbrauchs ist Folgendes zu beachten:

1. Schließen Sie die Tür und schalten Sie das Gerät ein.
2. Halten Sie innerhalb von 60 Sekunden nach dem Einschalten des Geräts die Taste **Kurzprogramm** länger als 5 Sekunden gedrückt, um in den Einstellmodus für den Wasserenthärter zu gelangen.
3. Drücken Sie die Taste **Kurzprogramm** erneut, um das richtige Set entsprechend der Umgebung auszuwählen. Die Einstellungen ändern sich in der folgenden Reihenfolge: H1 -> H2 -> H3 -> H4 -> H5 -> H6.
4. Drücken Sie den Hauptschalter ⏻, um den Einstellungsmodus zu verlassen.

WASSERHÄRTESKALA				Einstellung der Wasserhärte	Salzverbrauch
Deutsch (dH)	Französisch (fH)	Britisch (Clarke)	Mmol/l		
0 - 5	0 - 9	0 - 6	0 - 0,94	H1	0
6 - 11	10 - 20	7 - 14	1,0 - 2,0	H2	9

12 - 17	21 - 30	15 - 21	2,1 - 3,0	H3	12
18 - 22	31 - 40	22 - 28	3,1 - 4,0	H4	20
23 - 34	41 - 60	29 - 42	4,1 - 6,0	H5	30
35 - 55	61 - 98	43 - 69	6,1 - 9,8	H6	60

1°dH = 1,25°Clarke = 1,78°fH = 0,178 mmol/l

Werkseinstellungen: H3


Befüllen mit Klarspüler

Der Klarspüler wird am Ende des Spülvorgangs beim Polieren dosiert. Auf diese Weise bilden sich auf dem Geschirr keine Tropfen, die Flecken und Streifen hinterlassen könnten. Darüber hinaus beschleunigt der Klarspüler das Trocknen und Abtropfen von Wasser. In Ihre Spülmaschine gehört flüssiger Klarspüler.

Benutzen Sie ausschließlich Marken-Klarspüler. Geben Sie in die Dosierkammer für Klarspüler niemals andere Mittel (z.B. Spülmaschinenreiniger, flüssige Reinigungsmittel). Diese könnten das Gerät beschädigen.

Einstellung des Behälters für Klarspüler

Um mit einer begrenzten Menge an Klarspüler eine höhere Trocknungsleistung zu erzielen, ist die Spülmaschine so konzipiert, dass er den Verbrauch an die Bedürfnisse des Benutzers anpasst. Befolgen Sie die nachstehenden Schritte.

1. Schließen Sie die Tür und schalten Sie das Gerät ein.
2. Halten Sie innerhalb von 60 Sekunden nach Schritt 1 die Programmtaste **P** mindestens 5 Sekunden lang gedrückt und drücken Sie dann die Startverzögerungstaste (2), um den Einstellungsmodus aufzurufen.
3. Wählen Sie mit der Programmtaste **P** die gewünschten Einstellungen in der folgenden Reihenfolge: D1 -> D2 -> D3 -> D4 -> D5 -> D1. Je höher die Zahl, desto mehr Klarspüler verbraucht die Spülmaschine.
4. Drücken Sie den Hauptschalter , um die Einstellung abzuschließen. Die Einstellung wird auch nach 5 Sekunden ohne Aktivität gespeichert.

Wann sollte der Klarspüler nachgefüllt werden?

Die Regelmäßigkeit des Nachfüllens des Klarspülers hängt von der Häufigkeit der Verwendung der Spülmaschine und der verwendeten Einstellung ab.

- Wenn mehr Klarspüler benötigt wird, leuchtet die Klarspülermangel-Anzeige auf .
- Überfüllen Sie die Dosierkammer für Klarspüler nicht.

BEFÜLLEN DER KÖRBE MIT GESCHIRR

- Erwägen Sie den Kauf von Kochgeschirr und Besteck, das für die Spülmaschine geeignet ist.
- Wählen Sie für bestimmte Arten von Geschirr das Programm mit der niedrigsten Temperatur.
- Nehmen Sie das Glas und die Messer so schnell wie möglich nach dem Spülen aus der Spülmaschine. Dadurch werden mögliche Schäden vermieden.

Folgendes Geschirr ist nicht spülmaschinenfest:

- Besteck mit Griffen aus Holz, Porzellan, Horn oder Perlmutter.
- Geschirr aus Kunststoff, der nicht wärmebeständig ist.
- Älteres Besteck mit geklebten Teilen, die nicht wärmebeständig sind.
- Zinn- und Kupfergegenstände.
- Kristallglas.
- Gegenstände aus Stahl, die rosten.
- Schalen aus Holz.
- Gegenstände aus synthetischen Stoffen.
- Einige Glastypeen können nach mehrmaligem Waschen matt werden.
- Teile aus Silber und Aluminium können verblässen.
- Glasierte Muster können durch häufiges Waschen in der Spülmaschine verblässen.

Empfehlungen zum Befüllen der Spülmaschine

Entfernen Sie größere Speisereste vom Geschirr. Lassen Sie angebrannte Speisereste zunächst in der Pfanne einweichen. Das Geschirr muss vorher nicht unter fließendem Wasser abgespült werden.

Die besten Ergebnisse erzielen Sie, indem Sie folgende Anweisungen befolgen. **(Funktionsweise und Design der Geschirr- und Besteckkörbe können in Abhängigkeit vom jeweiligen Gerätemodell variieren.)**

Gegenstände folgendermaßen in die Spülmaschine hineinlegen:

- Gegenstände wie Tassen, Gläser, Töpfe, Schüssel u. dgl. sollten mit dem Boden nach oben hineingelegt werden.
- Gefäße mit gekrümmten oder gewölbten Teilen sollten schräg hineingelegt werden, damit aus ihnen Wasser ausfließen kann.
- Ordnen Sie die Gegenstände so, damit diese nicht umkippen.
- Ordnen Sie die Gegenstände so, damit sich die Sprüharme ungehindert bewegen können.
- Hohle Gegenstände wie Tassen, Gläser, Schüssel u. dgl. mit Boden nach oben hineinlegen, damit sich im Inneren kein Wasser ansammelt.
- Geschirr und Besteck dürfen nicht aufeinandergelegt werden oder sich überlappen. Um Beschädigungen zu vermeiden, sollten sich die Gläser nicht gegenseitig berühren.
- Der Oberkorb ist für zerbrechliche und kleinere Gegenstände wie Gläser oder Tassen bestimmt.
- Senkrecht gelagerte Messer mit langen Klingen stellen eine mögliche Gefahr dar!
- Lange oder scharfe Gegenstände wie Messer zum Portionieren müssen waagrecht in den Oberkorb gegeben werden.
- Überlasten Sie niemals die Spülmaschine. Nur so erzielen Sie gute Ergebnisse und sparen Energie.

HINWEIS: DAS GESCHIRR IST HEISS!

Um Verbrennungen zu vermeiden, nehmen Sie Gläser und Besteck erst etwa 15 Minuten nach Programmende aus der Spülmaschine.

Bemerkung: Besonders kleine Gegenstände gehören nicht in die Spülmaschine, da diese durch den Korb hindurchfallen könnten.

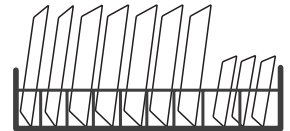
Befüllen des Oberkorbes

In den Oberkorb gehören zerbrechlichere und kleinere Gegenstände wie Gläser, Tassen, Untertassen, Teller, Schüsseln und flache Schüsseln (sofern diese nicht sehr verschmutzt sind). Geschirr und Besteck so platzieren, damit sie vom Wasserstrom nicht umgekippt werden.



Befüllen des Unterkorbes

Lange und schwer zu waschende Gegenstände wie Töpfe, Pfannen, Deckel, Teller und Schüsseln sollten in den unteren Korb gelegt werden, siehe Abbildung. Teller und Deckel sollten in die Rillen an der Seite des Korbes gelegt werden, damit sie die Drehung des oberen Sprüharms nicht behindern. Der empfohlene maximale Durchmesser der Teller vor der Dosierkammer für ein ungehindertes Öffnen der Tür beträgt 19 cm.



Befüllen des Besteckfachs

Das Besteck sollte separat in ein Fach an den entsprechenden Stellen gegeben werden. Legen Sie das Besteck nicht zu dicht nebeneinander, um ein unzureichendes Spülen zu vermeiden.

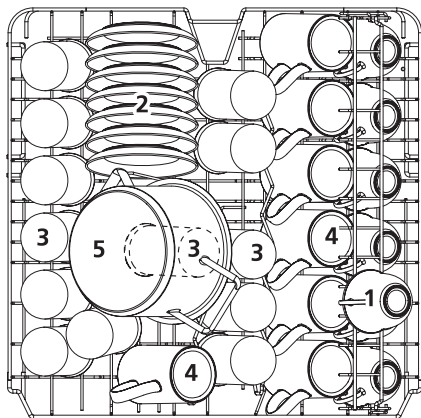
WARNUNG:

Vergewissern Sie sich, dass kein Gegenstand durch den Boden hindurchgeht. Scharfe Gegenstände müssen mit der Schneide nach unten hineingelegt werden!

Befüllung von Körben nach EN60436

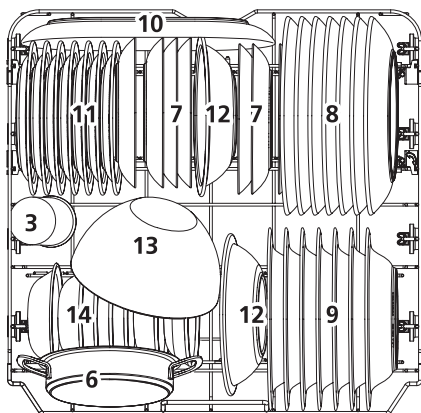
Eine vollständige Befüllung der Spülmaschine hilft, Energie und Wasser zu sparen.

Oberkorb



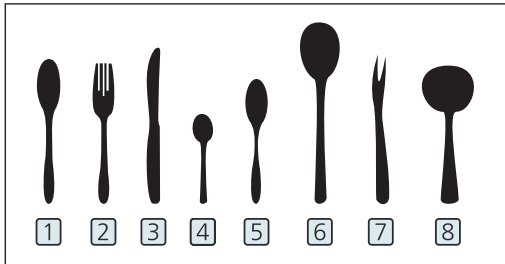
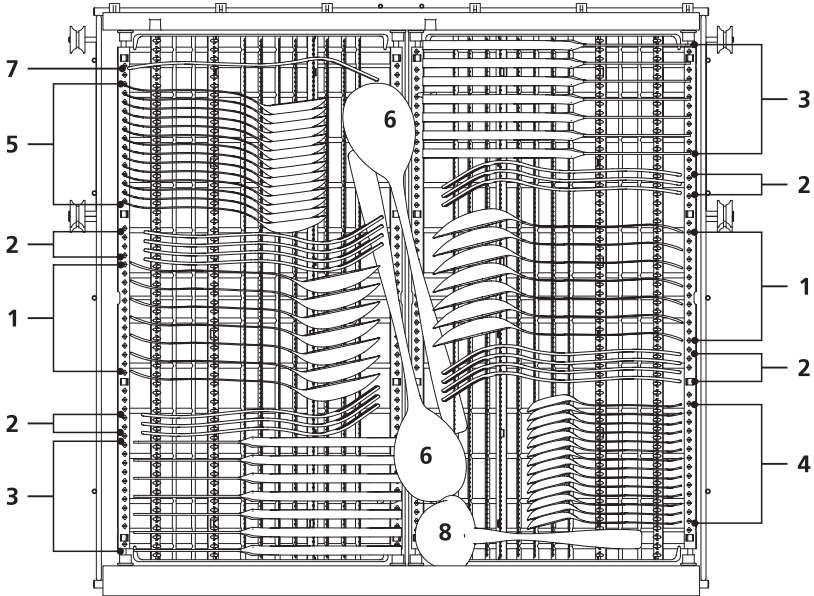
1. Obertassen
2. Untertassen
3. Gläser
4. Tassen
5. Kleine Töpfe

Unterkorb



6. Backbleche
7. Dessertteller
8. Flache Teller
9. Suppenteller
10. Ovale Teller
11. Dessertteller aus Melamin
12. Schalen aus Melamin
13. Glasschüssel
14. Dessertschüssel

Besteckkorb



1. Suppenlöffel
2. Gabeln
3. Messer
4. Teelöffel
5. Dessertlöffel
6. Serviermesser
7. Serviergabeln
8. Schöpflöffel

Informationen zur Vergleichbarkeit

Geprüft nach EN60436

Kapazität: 14 Geschirr-Sets

Obere Korbposition: untere Position

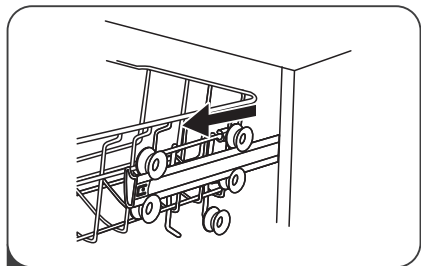
Programm: ECO

Poliereinstellungen: Max.

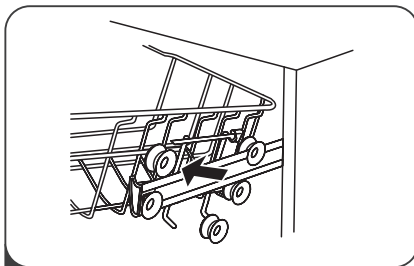
Einstellung des Wasserenthärter: H3

Einstellung der Position des Oberkorbes

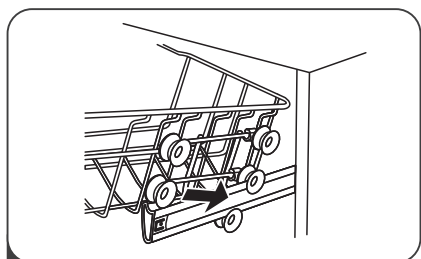
Die Höhe des Oberkorbes kann mühelos geändert werden, damit höheres Geschirr in den Oberkorb passt. Um die Höhe des Oberkorbes einzustellen, befolgen Sie diese Anweisungen.

Option 1:

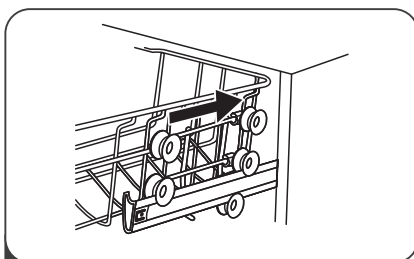
1 Ziehen Sie den Oberkorb heraus.



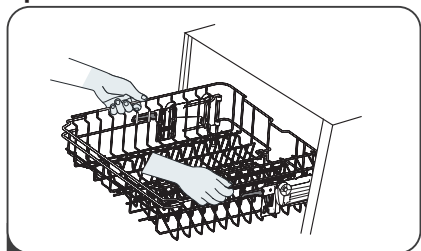
2 Nehmen Sie den Oberkorb heraus.



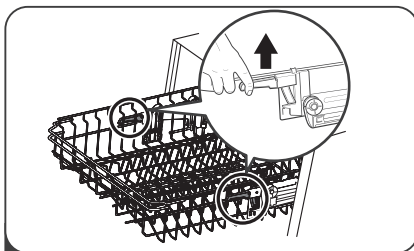
3 Setzen Sie den Oberkorb wieder auf die oberen oder unteren Räder auf.



4 Schieben Sie den Oberkorb hinein.

Option 2:

1 Um den Oberkorb anzuheben, heben Sie ihn einfach an, indem Sie ihn in der Mitte jeder Seite anfassen, bis der Korb in der oberen Position einrastet. Der Einstellgriff muss nicht angehoben werden.



2 Um die Position des Oberkorbs abzusenken, heben Sie die Einstellgriffe auf beiden Seiten an, um den Korb freizugeben und ihn in die untere Position zu bringen.

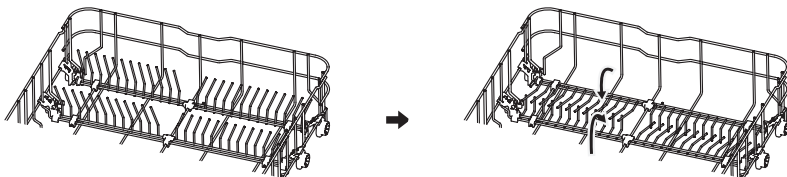
Kippbarer Glashalter

Um Platz für größere Gegenstände im Oberkorb zu schaffen, kippen Sie den Glashalter hoch. Sie können auch hohe Gegenstände am Glashalter stützen.

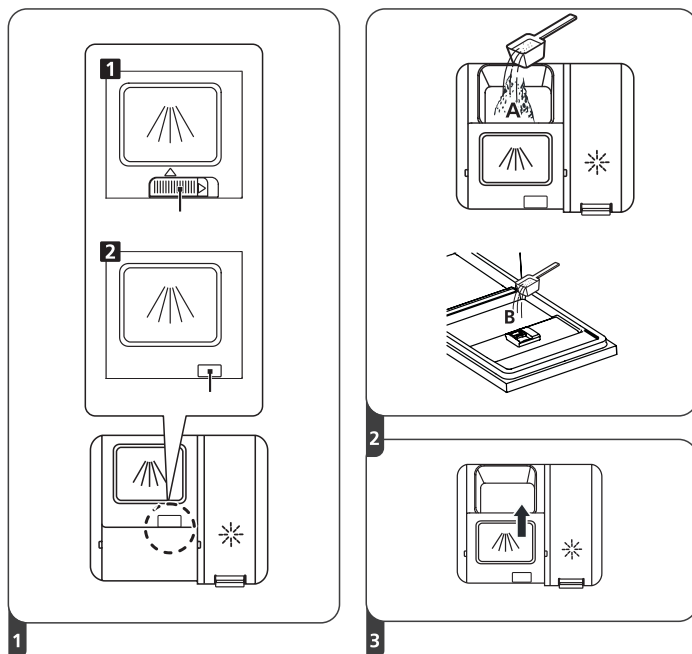


Kippbare Tellerhalter

Die Halter im Unterkorb dienen zur Aufbewahrung von Tellern. Sie können gekippt werden, wodurch mehr Platz für große Gegenstände geschaffen werden kann.



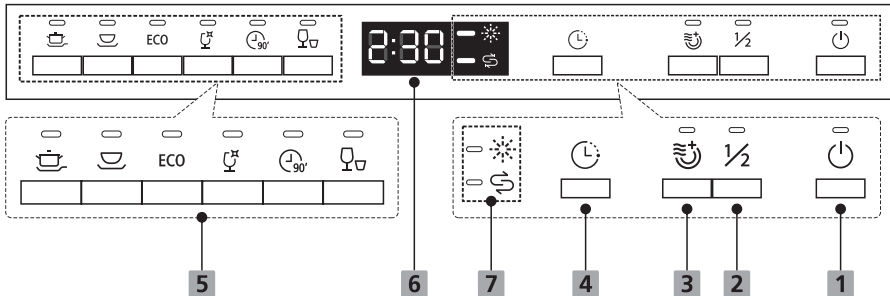
BEFÜLLEN VON WASCHMITTEL (TABLETTEN)



1. Wählen Sie das Öffnen des Deckels in Abhängigkeit von Ihrem Modell.
 - Öffnen Sie den Deckel durch Schieben der Sicherung (1).
 - Öffnen Sie den Deckel durch Drücken der Sicherung (2).
2. Für den Hauptwaschgang geben Sie das Waschmittel in die größere Öffnung (A). Um ein besseres Reinigungsergebnis zu erzielen, vor allem wenn das Geschirr stark verschmutzt ist, geben Sie ein wenig Waschmittel auf die Tür. Das zusätzliche Waschmittel wird während des Vorspülens verbraucht.
3. Schließen Sie den Deckel, indem Sie sie nach vorne schieben und herunterdrücken.

Bemerkung: Lesen Sie die Empfehlungen des Herstellers, die der Verpackung auf dem Waschmittel zu entnehmen sind.

BEDIENFELD UND PROGRAMMAUSWAHL (EDI 100363)



1 Hauptschalter

Drücken Sie diese Taste, um die Spülmaschine einzuschalten; das Bedienfeld leuchtet auf.

2 Halbe Beladung

Wenn Sie nur etwa die Hälfte oder weniger als die Hälfte des Geschirrs waschen möchten, können Sie diese Funktion wählen, um Energie und Wasser zu sparen (lässt sich nicht zusammen mit dem Schnellwaschprogramm verwenden).

3 Extra Trocknung

Für besser getrocknetes Geschirr (kann nur mit den Programmen Intensiv, Universal, ECO, Glas und 90 min verwendet werden). Wenn Sie diese Taste drücken, leuchtet die entsprechende Anzeige auf.

4 Startverzögerung

Drücken Sie diese Taste, um die Waschverzögerung einzustellen. Sie können den Beginn des Waschvorgangs um bis zu 24 Stunden aufschieben. Mit dieser Taste schieben Sie den Waschvorgang um eine Stunde auf.

5 Programmanzeigen

Zeigt das ausgewählte Programm an (siehe Tabelle unten).

6 Display

Anzeige der verbleibenden Programmzeit und des verzögerten Starts, des Fehlercodes usw.

7 Warnhinweise



Klarspüler

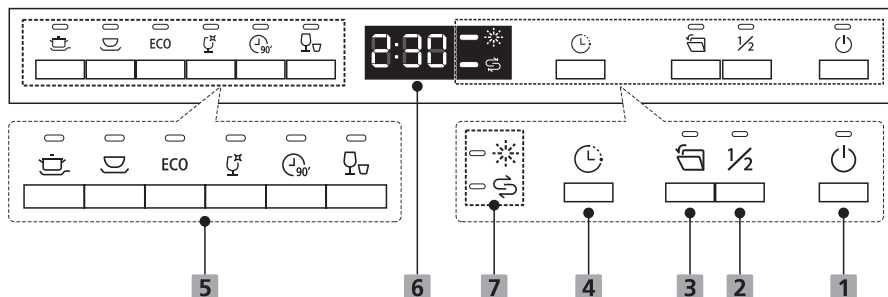
Wenn die Klarspülermangel-Anzeige aufleuchtet, hat die Spülmaschine nur noch wenig Klarspüler und muss nachgefüllt werden.



Salz

Wenn die Salzanzeige aufleuchtet, bedeutet dies, dass die Spülmaschine nur noch wenig Salz enthält und nachgefüllt werden muss.

BEDIENFELD UND PROGRAMMAUSWAHL (EDI 300163)



1 Hauptschalter

Drücken Sie diese Taste, um die Spülmaschine einzuschalten; das Bedienfeld leuchtet auf.

2 Halbe Beladung

Wenn Sie nur etwa die Hälfte oder weniger als die Hälfte des Geschirrs waschen möchten, können Sie diese Funktion wählen, um Energie und Wasser zu sparen (lässt sich nicht zusammen mit dem Schnellwaschprogramm verwenden).

3 Auto Open

Nach dem Waschen wird die Tür automatisch geöffnet, um einen besseren Trocknungseffekt zu erzielen. Es kann nur mit Intensiv, Universal, ECO, Glas, 90 min verwendet werden.

4 Startverzögerung

Drücken Sie diese Taste, um die Waschverzögerung einzustellen. Sie können den Beginn des Waschvorgangs um bis zu 24 Stunden aufschieben.

Mit dieser Taste schieben Sie den Waschvorgang um eine Stunde auf.

5 Programmanzeigen

Zeigt das ausgewählte Programm an (siehe Tabelle unten).

6 Display

Anzeige der verbleibenden Programmzeit und des verzögerten Starts, des Fehlercodes usw.

7 Warnhinweise




Clarspüler
Wenn die Clarspülermangel-Anzeige aufleuchtet, hat die Spülmaschine nur noch wenig Clarspüler und muss nachgefüllt werden.



Salz
Wenn die Salzanzeige aufleuchtet, bedeutet dies, dass die Spülmaschine nur noch wenig Salz enthält und nachgefüllt werden muss.

Tabelle mit Waschprogrammen (EDI 100363)

Programm	Beschreibung des Programmes	Geeignetes Geschirr	Menge des Waschmittels (Vorwäsche / Wäsche)	Zeit Dauer (min.)	Energie (kWh)	Wasserverbrauch (l)	Clarspüler
 Intensiv	Vorspülen (50 °C) Waschen (65 °C) Spülen Spülen Spülen (65 °C) Trocknen	Stark verschmutztes Geschirr, einschließlich Töpfe und Pfannen mit angetrockneten Rückständen.	4/18 g 1 oder 2 Tabletten	205	1,621	17,8	Ja










Programm	Beschreibung des Programmes	Geeignetes Geschirr	Menge des Waschmittels (Vorwäsche / Wäsche)	Zeit Dauer (min.)	Energie (kWh)	Wasserverbrauch (l)	Klarspüler
 Universal	Vorspülen (45 °C) Waschen (55 °C) Spülen Spülen (65 °C) Trocknen	Für normal verschmutztes Geschirr wie Töpfe, Teller, Gläser und leicht verschmutzte Pfannen.	4/18 g 1 oder 2 Tabletten	175	1,302	14,3	Ja
ECO *EN60436	Waschen (45 °C) Spülen Spülen (60 °C) Trocknen	Dies ist ein Standardprogramm, das für normal verschmutztes Geschirr wie Töpfe, Teller, Gläser und leicht verschmutzte Pfannen geeignet ist.	4/18 g 1 oder 2 Tabletten	220	0,951	11,0	Ja
 Glas	Vorwaschen Waschen (50 °C) Spülen Spülen (65 °C) Trocknen	Für leicht verschmutztes Geschirr und Glas.	4/18 g 1 Tablette	120	1,100	14,3	Ja
 90' 90 min.	Waschen (60 °C) Spülen Spülen (65 °C) Trocknen	Für normal verschmutztes Geschirr, das schnell gewaschen werden muss.	22 g 1 Tablette	90	1,350	11,7	Ja
 Kurzprogramm	Waschen (50 °C) Spülen Spülen (45 °C)	Kürzeres Waschprogramm für weniger verschmutztes Geschirr, das nicht trocknen muss.	20 g 1 Tablette	30	0,751	11,2	Nein

Tabelle mit Waschprogrammen (EDI 300163)

Programm	Beschreibung des Programmes	Geeignetes Geschirr	Menge des Waschmittels (Vorwäsche / Wäsche)	Zeit Dauer (min.)	Energie (kWh)	Wasserverbrauch (l)	Klarspüler
 Intensiv	Vorspülen (50 °C) Waschen (65 °C) Spülen Spülen Spülen (60 °C) Trocknen	Stark verschmutztes Geschirr, einschließlich Töpfe und Pfannen mit angetrockneten Rückständen.	4/18 g 1/2 Tabletten	205	1,651	18,7	Ja

Programm	Beschreibung des Programmes	Geeignetes Geschirr	Menge des Waschmittels (Vorwäsche / Wäsche)	Zeit Dauer (min.)	Energie (kWh)	Wasserverbrauch (l)	Klarspüler
 Universal	Vorspülen (45 °C) Waschen (55 °C) Spülen Spülen (60 °C) Trocknen	Für normal verschmutztes Geschirr wie Töpfe, Teller, Gläser und leicht verschmutzte Pfannen.	4/18 g 1/2 Tabletten	175	1,451	18,7	Ja
ECO *EN60436	Waschen (50 °C) Spülen Spülen (50 °C) Trocknen	Dies ist ein Standardprogramm, das für normal verschmutztes Geschirr wie Töpfe, Teller, Gläser und leicht verschmutzte Pfannen geeignet ist.	22 g 1/2 Tabletten	198	0,849	11,0	Ja
 Glas	Vorwaschen (40 °C) Waschen (50 °C) Spülen Spülen (50 °C) Trocknen	Für leicht verschmutztes Geschirr und Glas.	4/18 g 1/2 Tabletten	120	0,902	15,2	Ja
 90 min.	Waschen (55 °C) Spülen Spülen (50 °C) Trocknen	Für normal verschmutztes Geschirr, das schnell gewaschen werden muss.	22 g 1/2 Tabletten	90	0,891	11,5	Ja
 Kurzprogramm	Waschen (40 °C) Spülen (40 °C) Spülen (55 °C)	Kürzeres Waschprogramm für weniger verschmutztes Geschirr, das nicht trocknen muss.	12 g 1 Tablette	30	0,781	11,0	Nein

* Das ECO-Programm eignet sich für die Reinigung von normal verschmutztem Geschirr. Es ist das meist effiziente Programm für diese Anwendung in Bezug auf den kombinierten Energie- und Wasserverbrauch und wird zur Beurteilung der Einhaltung der EU-Ökodesign-Richtlinien verwendet.

Energieeinsparung

- Das Vorspülen von Geschirr führt zu einem erhöhten Wasser- und Energieverbrauch und wird nicht empfohlen.
- Beim Waschen von Geschirr in einer Spülmaschine für den Haushalt wird in der Regel weniger Energie und Wasser als beim Waschen von Hand verbraucht, sofern die Spülmaschine wie vorgeschrieben benutzt wird.

Programmstart

1. Ziehen Sie beide Körbe heraus, geben Sie Geschirr hinein und schieben Sie diese wieder ein. Wir empfehlen zunächst den Unterkorb und erst dann den Oberkorb zu befüllen.
2. Legen Sie das Waschmittel ein.
3. Schließen Sie das Netzkabel an eine Netzsteckdose an. Informationen zur Stromversorgung sind dem Produktinformationsblatt zu entnehmen. Prüfen Sie, ob die Wasserversorgung völlig offen ist.
4. Schließen Sie die Tür und drücken Sie die Haupttaste.
5. Wählen Sie ein Programm aus, die Reaktionsanzeige leuchtet auf. Schließen Sie dann die Tür und die Spülmaschine beginnt mit dem Waschgang.

Ändern des Programms während des Waschens

Das Programm kann nur geändert werden, wenn es nur kurze Zeit gelaufen ist, da sonst möglicherweise bereits Waschmittel freigesetzt wurde oder Wasser mit Waschmittel ausgelassen wurde. Die Spülmaschine sollte dann ausgeschaltet und der Waschmittelbehälter erneut befüllt werden. Wenn Sie die Spülmaschine zurückzusetzen möchten, gehen sie wie folgt vor:

1. Öffnen Sie die Tür, um den Waschgang zu stoppen.
2. Halten Sie die Programmtaste länger als drei Sekunden lang gedrückt, um den Programmwahlmodus aufzurufen.
3. Sie können das Programm auf die gewünschte Zykluseinstellung ändern.

WARTUNG UND REINIGUNG

Äußeres des Geräts

Türen und Türdichtungen

Reinigen Sie die Türdichtungen regelmäßig mit einem weichen, feuchten Tuch, um Lebensmittelablagerungen zu entfernen. Beim Befüllen der Spülmaschine können Lebensmittel- und Getränkereste an den Seiten der Spülmaschinentür heruntertropfen. Diese Bereiche befinden sich außerhalb des Waschbereiches, und das Wasser aus den Sprüharmen kann sie nicht erreichen. Eventuelle Ablagerungen müssen vor dem Schließen der Tür abgewischt werden.

Bedienfeld

Wenn eine Reinigung erforderlich ist, wischen Sie das Bedienfeld nur mit einem weichen, feuchten Tuch ab.

WARNUNG:

Verwenden Sie keine Reinigungssprays, da Wasser in das Türschloss und die elektrischen Bauteile eindringen könnte. Verwenden Sie niemals Scheuermittel oder Topfkratzer für die Außenflächen, da diese Kratzer an der Oberfläche zurücklassen können. Manche Küchentücher können auch Kratzer oder Spuren auf der Oberfläche hinterlassen.

Innenraum des Geräts

Filtersystem

Das Filtersystem am Boden der Spülmaschine fängt groben Schmutz aus dem Waschgang auf, darunter auch Fremdkörper wie Zahnstocher oder Scherben. Der angesammelte Grobschmutz kann zum Verstopfen der Filter führen. Kontrollieren Sie regelmäßig den Zustand der Filter, entfernen Sie vorsichtig Fremdkörper und reinigen Sie Teile des Filtersystems gegebenenfalls mit Wasser. Befolgen Sie die nachstehenden Anweisungen zur Reinigung des Filters.

1. Halten Sie den Grobfilter fest und drehen Sie ihn gegen den Uhrzeigersinn, um ihn zu entriegeln. Heben Sie den Filter an und nehmen Sie ihn aus der Spülmaschine.
2. Der Feinfilter kann von der Unterseite der Filtereinheit entfernt werden. Der Grobfilter kann vom Hauptfilter getrennt werden, indem Sie leicht auf die Laschen an der Oberseite drücken und ihn herausziehen.
3. Größere Speisereste können durch Abspülen des Filters unter fließendem Wasser gereinigt werden. Für eine gründlichere Reinigung verwenden Sie eine weiche Reinigungsbürste.

4. Bauen Sie die Filter in umgekehrter Reihenfolge wieder zusammen, setzen Sie den Filtereinsatz wieder ein und drehen Sie ihn im Uhrzeigersinn bis zum Pfeilsymbol.

WARNUNG:

- Ziehen Sie die Filter nicht zu fest an. Setzen Sie die Filter wieder in der richtigen Reihenfolge ein, da sonst grober Schmutz in die Spülmaschine gelangen und eine Verstopfung verursachen könnte.
- Verwenden Sie die Spülmaschine niemals ohne eingesetzte Filter. Ein unsachgemäßer Filterwechsel kann die Leistung des Geräts verringern und das Geschirr und das Gerät beschädigen.

Sprüharme

Eine regelmäßige Reinigung der Sprüharme ist sehr wichtig. Hierbei werden Chemikalien aus dem harten Wasser entfernt, da Kalkablagerungen Düsen und Lager verstopfen.

Befolgen Sie zum Reinigen der Sprüharme die nachstehenden Anweisungen:

1. Wenn Sie den oberen Sprüharm entfernen möchten, halten Sie die Mutter in der Mitte und drehen Sie den Sprüharm gegen den Uhrzeigersinn.
2. Wenn Sie den unteren Sprüharm entfernen möchten, ziehen Sie ihn nach oben.
3. Spülen Sie die Sprüharme in warmem Seifenwasser ab und reinigen Sie die Düsen mit einer weichen Bürste.

PROBLEMBEHEBUNG**Bevor Sie die Kundendienststelle anrufen**

Wenn Sie den Inhalt der Tabellen auf den folgenden Seiten lesen, müssen Sie die Kundendienststelle vielleicht nicht anrufen.

Problem	Mögliche Ursache	Vorgehensweise
Die Spülmaschine lässt sich nicht einschalten.	Eine durchgebrannte Sicherung oder ein Schutzschalter hat den Stromkreis unterbrochen.	Wechseln Sie die Sicherung aus oder schalten Sie den Schutzschalter ein. Trennen Sie alle anderen elektrischen Geräte, die denselben Stromkreis wie die Spülmaschine benutzen.
	Defekte Netzversorgung.	Überprüfen Sie, ob die Spülmaschine eingeschaltet und die Tür richtig geschlossen ist. Vergewissern Sie sich, dass der Netzstecker richtig mit der Steckdose verbunden ist.
	Der Wasserdruck ist niedrig.	Überprüfen Sie, ob die Wasserzufuhr richtig angeschlossen und das Zuleitungsventil geöffnet ist.
	Die Tür der Spülmaschine ist nicht richtig geschlossen.	Prüfen Sie, ob die Tür richtig geschlossen ist.

Problem	Mögliche Ursache	Vorgehensweise
Es wird kein Wasser aus der Spülmaschine abgelassen.	Zu stark gedrehter oder eingeklemmter Ablaufschlauch.	Ablaufschlauch überprüfen.
	Der Filter ist verstopft.	Überprüfen Sie das Filtersystem.
	Das Spülbecken in der Küche ist verstopft.	Überprüfen Sie das Spülbecken in der Küche, um sicherzustellen, dass es gut abläuft. Wenn das Wasser nicht aus dem Waschbecken abläuft, wenden Sie sich an einen Klempner.
Seifen im Pumpentopf.	Schlechtes Waschmittel.	Verwenden Sie nur spezielle Spülmaschinenreiniger, um Schaumbildung zu vermeiden. Wenn sich Schaum bildet, öffnen Sie die Tür der Spülmaschine und lassen Sie den Schaum verschwinden. Gießen Sie 1 Liter kaltes Wasser in den Pumpentopf. Schließen Sie die Tür der Spülmaschine und wählen Sie ein beliebiges Programm. Zunächst lässt die Spülmaschine das Wasser ab. Wenn das Wasser abgelaufen ist, öffnen Sie die Tür und prüfen Sie, ob der Schaum verschwunden ist. Falls nötig, wiederholen Sie den Vorgang.
	Überfüllter Klarspüler.	Wischen Sie überschüssigen Klarspüler immer sofort ab.
Verrostete Innenseite des Pumpentopfes	Möglicherweise wurde ein Waschmittel mit Farbstoff verwendet.	Vergewissern Sie sich, dass Sie ein farbstofffreies Waschmittel verwenden.
Weißer Bezug auf der inneren Oberfläche.	Wasserstein aufgrund von hartem Wasser.	Verwenden Sie bei der Reinigung des Innenraums einen Schwamm mit etwas Reinigungsmittel, das für die Spülmaschine vorgesehen ist. Benutzen Sie Gummihandschuhe. Benutzen Sie niemals Reinigungsmittel, die nicht für die Spülmaschine geeignet sind. Nur so beugen Sie Schaumbildung oder Seifenschaum vor.

Problem	Mögliche Ursache	Vorgehensweise
Auf dem Besteck bleiben Rostflecken zurück.	Dieses Besteck ist nicht korrosionsbeständig.	Waschen Sie keine Gegenstände, die nicht korrosionsbeständig sind, in der Spülmaschine.
	Die Spülmaschine lässt sich nach dem Einfüllen von Salz nicht einschalten. Salz ist in den Waschgang gelangt.	Starten Sie das Waschprogramm nach der Salzzugabe immer ohne Geschirr. Schalten Sie die Turbofunktion (falls vorhanden) nicht ein, nachdem Sie Salz in die Spülmaschine gegeben haben.
	Der Deckel des Salzhärters ist lose.	Vergewissern Sie sich, dass der Deckel des Enthärters fest verschlossen ist.
Klopfen in der Spülmaschine	Der Sprüharm trifft auf einen Gegenstand im Korb.	Unterbrechen Sie das Programm und ordnen Sie das Geschirr, das den Sprüharm behindert, neu.
Rasseln in der Spülmaschine	Das Porzellangeschirr ist in der Spülmaschine zu lose geordnet.	Halten Sie das Programm an und ordnen Sie das Geschirr neu.
Hämmern in den Wasserleitungen.	Dies kann auf die lokale Installation oder die Größe des Rohrquerschnitts zurückzuführen sein.	Dies hat keinen Einfluss auf die Funktion der Spülmaschine. Sollten Sie Zweifel haben, wenden Sie sich an einen qualifizierten Installateur.
Das Geschirr ist nicht sauber.	Das Geschirr wurde nicht richtig in die Spülmaschine gegeben.	Siehe Vorbereitung und Ordnen von Geschirr.
	Ein ausreichend leistungsfähiges Programm wurde nicht gewählt.	Wählen Sie ein intensiveres Programm aus.
	Es wurde nicht genügend Waschmittel freigesetzt.	Fügen Sie mehr Waschmittel hinzu oder verwenden Sie einen anderen Typ.
	Geschirrtteile behindern die Bewegung der Sprüharme.	Ordnen Sie das Geschirr so an, dass es die Sprüharme nicht behindert.
	Filtersystem die Unterseite des Waschbereichs sitzt nicht richtig oder ist nicht sauber. Dies kann dazu führen, dass die Sprühdüsen verstopft werden.	Reinigen Sie den Filter oder setzen Sie seine Teile richtig zusammen. Reinigen Sie die Sprühdüsen.
Trübes Glas.	Weiches Wasser zusammen mit zu viel Reinigungsmittel.	Falls Sie weiches Wasser benutzen, verwenden Sie beim Glaswaschen weniger Waschmittel und einen kürzeren Waschprogramm.

Problem	Mögliche Ursache	Vorgehensweise
Auf Geschirr und Gläsern erscheinen weiße Flecken.	In Gebieten mit hartem Wasser kann es zu Kalkablagerungen kommen.	Überprüfen Sie die Einstellungen des Wasserenthärterers oder den Füllstand des Salzbehälters.
Schwarze oder graue Flecken auf dem Geschirr.	Aluminiumgegenstände sind mit anderen Utensilien in Berührung gekommen.	Benutzen Sie zum Entfernen dieser Flecken ein feines abrasives Reinigungsmittel.
In der Dosierkammer ist Waschmittel geblieben.	Das Geschirr bedeckte die Dosierkammer.	Ändern Sie die Anordnung des Geschirrs.
Das Geschirr wird nicht trocken.	Falsche Anordnung im Korb.	Wenn sich Spülmittelreste auf dem Geschirr befinden, tragen Sie Handschuhe, um Hautreizungen zu vermeiden.
	Das Geschirr wurde zu früh herausgenommen.	Nehmen Sie das Geschirr nicht sofort nach dem Waschen heraus. Öffnen Sie die Tür, damit der Dampf entweichen kann. Nehmen Sie das Geschirr heraus, wenn die Innentemperatur zum Anfassen geeignet ist. Leeren Sie zuerst den Unterkorb, damit kein Wasser aus dem Oberkorb tropft.
	Es wurde ein ungeeignetes Programm gewählt.	Bei einem Kurzprogramm ist die Wascht Temperatur niedriger, was die Waschleistung verringert. Wählen Sie ein Programm mit einem längeren Waschvorgang.
	Verwendung von Besteck mit minderwertiger Oberfläche	Das Trocknen solcher Gegenstände ist viel schwieriger. Dieses Besteck und Geschirr ist nicht für die Reinigung in der Spülmaschine geeignet.

WARNUNG:

Eine selbst durchgeführte oder nicht fachmännische Reparatur kann zu ernsthaften Sicherheitsrisiken für den Benutzer des Geräts führen und die Garantie beeinträchtigen.

FEHLERCODES UND DEREN BEDEUTUNG

Code	Bedeutung	Mögliche Ursache
E1	Das Wasser braucht länger als erwartet, um sich zu füllen.	Das Ventil ist geschlossen, der Wasserdruck ist zu niedrig oder die Wasserzufuhr wurde unterbrochen.
E3	Die gewünschte Temperatur konnte nicht erreicht werden.	Defekter Heizkörper.
E4	Überlaufen von Wasser.	Wasser ist entkommen.
Ed	Fehler in der elektronischen Kommunikation.	Es liegt zu einem Kurzschluss gekommen oder der elektronische Schaltkreis ist defekt.

VERWERTUNG UND ENTSORGUNG VON ABFALL

Verpackungspapier und Wellenpappe an einer Sammelstelle abgeben. Verpackungsfolie, PET-Beutel und Kunststoffteile gehören in Sammelcontainer für Kunststoff.

ENTSORGUNG DES PRODUKTES NACH ABLAUF DER LEBENSDAUER

Entsorgung von gebrauchten elektrischen und elektronischen Geräten (gültig in den Mitgliedsländern der EU und anderen europäischen Ländern, in denen das Abfalltrennungssystem eingeführt ist)

Das abgebildete Symbol auf dem Produkt oder auf der Verpackung weist darauf hin, dass das Produkt nicht in den Hausmüll gehört. Das Produkt sollte an einem Ort abgegeben werden, der für die Wiederverwertung von elektrischen und elektronischen Geräten bestimmt ist. Eine richtige Entsorgung des Produktes beugt negativen Einflüssen auf die menschliche Gesundheit und die Umwelt vor. Die Wiederverwertung trägt zum Schutz der Naturressourcen bei. Weitere Informationen über die Wiederverwertung des Produktes erhalten Sie über das Gemeindeamt, eine Organisation, die sich mit der Behandlung von Hausmüll befasst, oder die Verkaufsstelle, an der das Produkt erworben wurde.



08/05

Dieses Produkt erfüllt sämtliche Anforderungen der EU-Richtlinien über die elektromagnetische Kompatibilität und elektrische Sicherheit.



Die Bedienungsanleitung ist der Website www.ecg-electro.eu zu entnehmen. Änderungen des Textes und der technischen Parameter sind vorbehalten.

Einzelne Servicestellen sind dem beigelegten Garantieschein oder der Website www.ecg-electro.eu zu entnehmen.

- Wir gewähren für dieses Produkt eine Garantie für 24 Monate.
- Die in der EU 2019/2022 aufgeführten Ersatzteile sind je nach Art des Ersatzteils 7 oder 10 Jahre lang erhältlich.
- In die Produktdatenbank, die Informationen über das jeweilige Produkt gemäß EU 2019/2017 enthält, gelangen Sie nach dem Einlesen des QR-Codes am Energielabel.

BEZPEČNOSTNÍ POKYNY

Čtěte pozorně a uschovejte pro budoucí potřebu!

Varování: Bezpečnostní opatření a pokyny uvedené v tomto návodu nezahrnují všechny možné podmínky a situace, ke kterým může dojít. Uživatel musí pochopit, že faktorem, který nelze zabudovat do žádného z výrobků, je zdravý rozum, opatrnost a péče. Tyto faktory tedy musí být zajištěny uživatelem/uživateli používajícími a obsluhujícími toto zařízení.

Neodpovídáme za škody způsobené během přepravy, nesprávným používáním, kolísáním napětí nebo změnou či úpravou jakékoliv části zařízení.

Dodržujte pokyny obsažené v tomto návodu. Před prvním použitím si celý písemný návod důkladně prostudujte a uchovejte pro další potřebu.

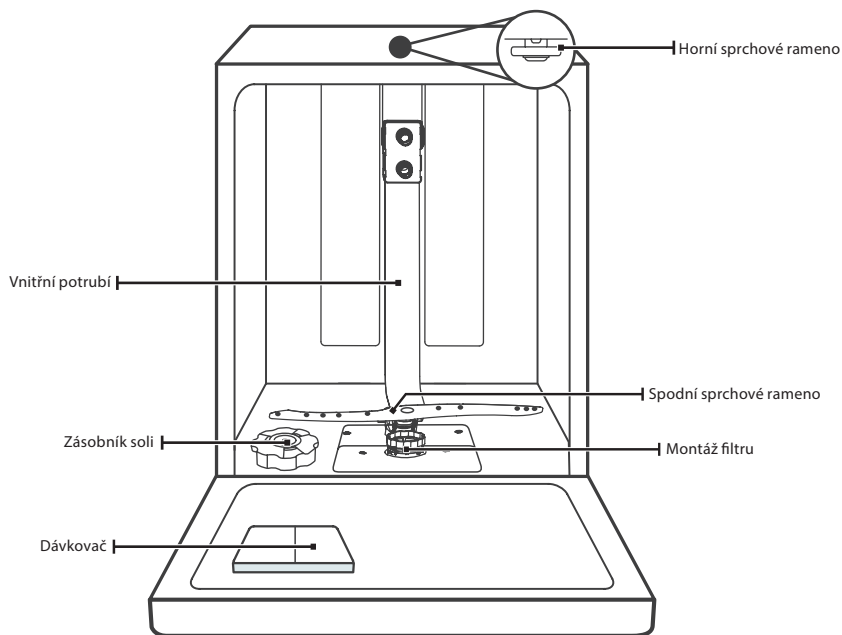
Aby nedošlo ke vzniku požáru nebo k úrazu elektrickým proudem, měla by být při používání elektrických zařízení vždy dodržována základní opatření, včetně těch následujících:

1. Tento spotřebič může být používán dětmi staršími 8 roků a osobami s omezenými fyzickými a duševními schopnostmi a osobami bez zkušeností a znalostí spotřebiče, pokud bude zajištěn dozor anebo instruktáž vzhledem k používání spotřebiče bezpečným způsobem, tak, aby ohrožení spojené s používáním, bylo srozumitelné. Děti si nemohou se zařízením hrát. Děti bez dozoru nemohou vykonávat čištění ani jinou údržbu spotřebiče.
2. Do koše nevkládejte nevhodné a těžké předměty. Nepřepĺnujte koš. Výrobce neodpovídá za jakékoliv poškození vnitřních částí spotřebiče, ke kterému došlo v souvislosti s nesprávným používáním spotřebiče.
3. Neotevírejte dvířka spotřebiče během mycího cyklu. Pokud přesto otevřete dvířka během mycího cyklu, bezpečnostní zařízení zastaví provoz spotřebiče.
4. Abyste předešli nehodě, nenechávejte dvířka otevřená. Dveře myčky se nemají nechávat v otevřené poloze, protože to představuje nebezpečí klopýtnutí.

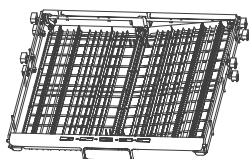
5. **Výstraha:** Nože a ostatní potřeby pro domácnost s ostrými hroty se musí ukládat do koše s hroty směřujícími dolů nebo je umístit ve vodorovné poloze.
6. Poškozený napájecí kabel smí vyměnit pouze výrobce, jeho servisní technik nebo jiná podobně kvalifikovaná osoba.
7. Pokud je funkce EnergySave aktivní, dvířka spotřebiče se na konci programu otevrou. Nevývíjejte tlak na zavřená dvířka, aby nedošlo k poškození mechanismu dvířek. Aby se zajistilo účinné sušení, je třeba dveře otevřít po 30 minutách (modely se systémem automatického otevírání dvířek).
8. **Varování:** Jakmile zazní akustický signál oznamující automatické otevření dvířek, nesmíte stát přímo před dvířky.
9. Uchovávejte obalový materiál mimo dosah dětí.
10. Nedovolte dětem, aby si se spotřebičem hrály nebo jej spouštěly.
11. Čisticí prostředky uchovávejte mimo dosah dětí.
12. Děti se nesmí nacházet v blízkosti spotřebiče během otevírání dvířek po dokončení mycího cyklu, neboť se ve spotřebiči mohou vyskytovat zbytky čisticích prostředků.
13. Dohlédněte, aby se děti a domácí zvířata nacházely v bezpečné vzdálenosti od spotřebiče v průběhu provozu.
14. Ujistěte se, že vysloužilý spotřebič nepředstavuje pro Vaše děti žádnou hrozbu. Jsou známy případy, kdy došlo k uvěznění dětí ve vysloužilém spotřebiči. Abyste takové situaci předešli, rozbijte zámek dvířek vysloužilého spotřebiče a odřízněte napájecí kabel.
15. Dohlédněte, aby voda a elektrický spotřebič byly připojené kvalifikovaným technikem v souladu s pokyny výrobce a místními bezpečnostními předpisy.
16. Provedení opravy spotřebiče jinou osobu než zaměstnancem autorizovaného servisu má za následek ztrátu záruky.
17. Před přistoupením k opravě spotřebiče se ujistěte, že je spotřebič odpojený od napájení. Vypněte pojistku nebo odpojte spotřebič od elektrické sítě vytažením zástrčky napájecího kabelu ze zásuvky. Při odpojování spotřebiče od elektrické sítě tahejte za zástrčku, nikoliv za kabel. Zkontrolujte, zda jste uzavřeli přívod vody.

18. Tento spotřebič je určen pro použití v domácnosti a podobných prostorech jako jsou:
 - kuchyňské kouty v obchodech, kancelářích a ostatních pracovištích.
 - v zemědělství.
 - hosty v hotelích, motelech a jiných obytných prostředcích.
 - v podnicích zajišťujících nocleh se snídaní.
19. Použijte nový komplet hadic dodaný spolu se spotřebičem. Nepoužívejte opakovaně starý komplet hadic.
20. Po ukončení používání vždy odpojte spotřebič od napájení a uzavřete přítok vody.
21. Pro zajištění své bezpečnosti vidlici napájecího vodiče vkládejte do uzemněné trojpólové zásuvky. Opatrně zkontrolujte a přesvědčte se, že zásuvka je uzemněná správným a spolehlivým způsobem.
22. Před použitím spotřebiče pečlivě odstraňte všechny elementy obalu a zabezpečení proti pohybu. V opačném případě se může vyskytnout vážné poškození spotřebiče.
23. Myčku neinstalujte ve velmi mokrých a vlhkých místnostech, také rovněž v místnostech, ve kterých se vyskytují výbušné nebo žíravé plyny.
24. Na myčku nevstupujte ani nesedejte.
25. Neopírejte se o dveře myčky.
26. Nezavírejte dveře násilným způsobem. Jestliže je uzavírání dveří myčky obtížné, zkontrolujte, zda se v myčce nenachází příliš mnoho nádobí, nebo zda je nádobí dobře rozmístěné.
27. Je zakázáno používání snadno zápalných a výbušných nebo toxických rozpouštědel. Nepoužívejte benzin ani alkohol apod. jako čisticí prostředky.
28. Po skončení mycího programu vyčkejte a poté opatrně otevřete dveře myčky.
29. Po otevření dveří myčky dávejte pozor na stoupající horkou páru, která Vám v případě neopatrnosti může způsobit zdravotní komplikaci.

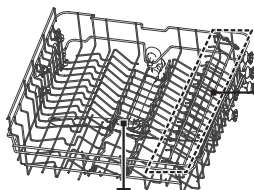
POPIS PRODUKTU



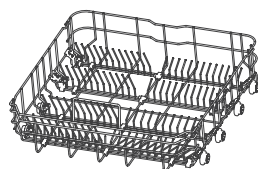
Příhrádka na příbory



Horní koš



Spodní koš



Poznámka: Obrázky jsou pouze orientační, různé modely se mohou lišit.

POKYNY K INSTALACI

NEBEZPEČÍ ÚRAZU ELEKTRICKÝM PROUDEM!

Před instalací myčky odpojte přívod elektriny. Neuposlechnutí může vést ke smrtelnému úrazu elektrickým proudem.

Instalaci potrubí a elektrického připojení musí provádět profesionálové.

Připojení k napájecí síti

Požadavky na napájení

Ověřte si na štítku spotřebiče, zda jmenovité napětí odpovídá napájecí síti, k níž bude připojen. Síťový okruh by měl být vyhrazen pouze pro myčku a musí být chráněn pojistkou o hodnotě 10/13/16 A, časovou pojistkou nebo ochranným spínačem.

Elektrické zapojení

Zkontrolujte, zda napájecí napětí a frekvence odpovídá hodnotám uvedeným na štítku spotřebiče. Napájecí kabel připojte pouze k síťové zásuvce, která je řádně uzemněna. Pokud síťová zásuvka, k níž má být spotřebič připojen, neodpovídá zástrčce napájecího kabelu, vyměňte zásuvku. Při použití adaptéru hrozí nebezpečí jeho přehřátí a vzplanutí.

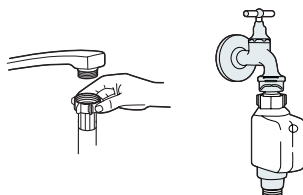
- **Před použitím se ujistěte, že je spotřebič řádně uzemněn.**

Přívod vody a odpadní hadice

Rozvody vody musí být vhodné pro instalaci myčky nádobí. Rovněž Vám doporučujeme, abyste na vstupu vody nainstalovali filtr a předešli tak poškození spotřebiče z důvodu kontaminace nečistotami (písek, hlína, rez atd.), které se mohou nacházet ve vodovodním potrubí nebo v domácích rozvodech vody. Předejdete tak zžloutnutí nádobí a hromadění nečistot ve spotřebiči.

Připojení studené vody

Přívodní hadici studené vody připojte k šroubové spojce o průměru 3/4 palce a ujistěte se, že je pevně uchycena. Pokud je přívodní potrubí nové nebo se dlouho nepoužívalo, nechte chvíli proudit vodu, dokud se zcela nevyčistí. Tímto zabráníte případnému ucpání vodního přívodu a poškození přístroje.



Bezpečnostní přívodní hadice

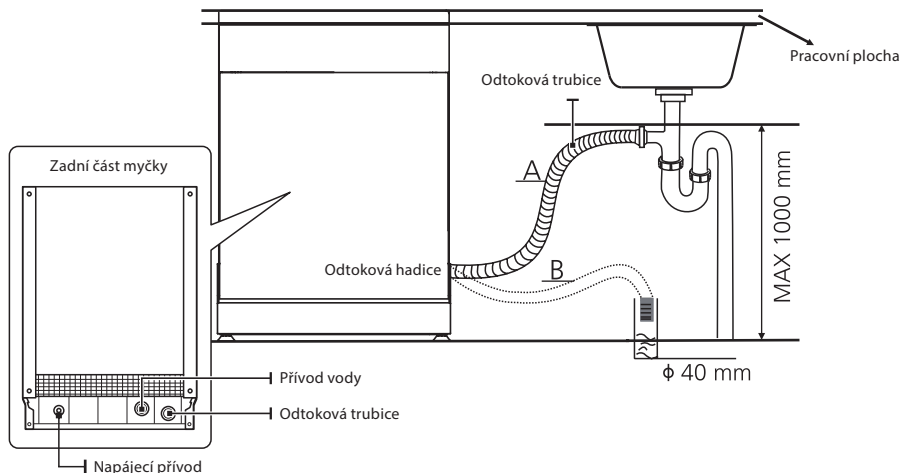
Hadice má dvojité stěny. Systém hadice zajišťuje uzavření toku vody v případě, že dojde k přetržení hadice nebo k vniknutí vody do prostoru mezi dvojitými stěnami hadice.

Připojení bezpečnostní hadice přívodu vody

1. Vytáhněte bezpečnostní přívodní hadici zcela z jejího úložiště na zadní straně myčky.
2. Nasadte koncovku na přívod vody se závitem 3/4 palce a utáhněte šroubení.
3. Před použitím myčky zcela otevřete kohout přívodu.

Připojení odpadní hadice

Připojte odpadní hadici k odpadnímu potrubí o minimálním průměru 4 cm nebo ji vložte do výlevky a zajistěte, aby se neohýbala ani nelámala. Vyústění hadice musí být umístěno ve výšce menší než 1000 mm. Volný konec hadice nesmí být ponořen do vody, aby nedošlo ke zpětnému nasání vody.



Jak odstranit zbytek vody z hadice

Pokud je přípojka k vypouštěcímu potrubí umístěna výše než 1000 mm, může ve vypouštěcí hadici zůstat přebytečná voda. V takovém případě je nutné zbytkovou vodu nechat vytéci z hadice do mísy nebo jiné vhodné nádoby umístěné pod úroveň výlevky.

Odtok vody

Připojte odpadní hadici. Hadice odpadní vody musí perfektně těsnit, aby ze spoje nevytékala voda. Ujistěte se, že odpadní hadice není zkroucená ani pomačkaná.

Prodlužovací hadice

Pokud potřebujete prodlužovací odpadní hadici, použijte podobný typ. Nesmí být delší než 4 m, v opačném případě by se snížil výkon myčky.

Připojení vodní uzávěrky

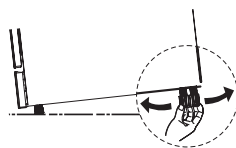
Připojení odpadní hadice musí být umístěno ve výšce 1000 mm (maximálně) nad dnem myčky.

Umístění myčky

Spotřebič umístěte na požadované místo. Zadní část by měla směřovat ke zdi a boční části k sousedním skříním nebo zdem. Myčka je vybavena hadicemi pro přívod a odtok vody, které je možno umístit vpravo i vlevo, a tak umožnit ideální instalaci.

Vyrovnaní myčky

Jakmile je myčka postavena na svém místě, její výšku lze přizpůsobit pomocí nastavovacích šroubů umístěných v dolní části. Myčka nesmí být nakloněna o více než 2°.

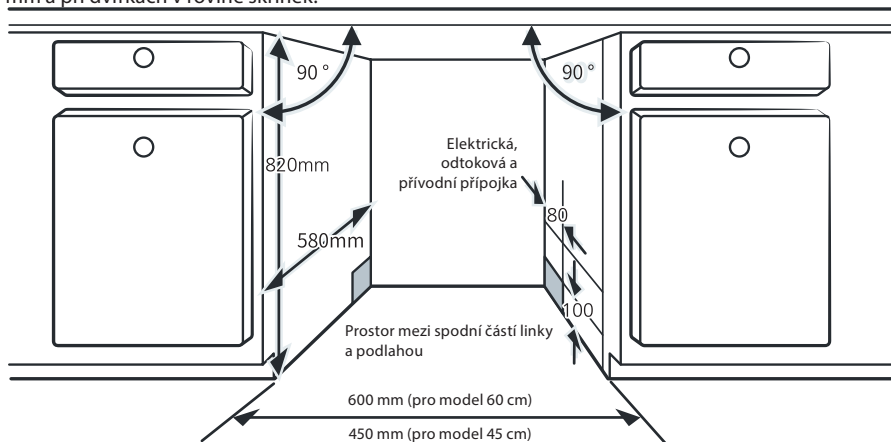


Vestavná instalace

Výběr nejvhodnějšího umístění myčky nádobí

Myčka by měla být instalována v blízkosti přívodního a odpadního potrubí a přívodu elektřiny. Vyobrazení rozměrů skříně a instalační polohy myčky.

1. Vestavné rozměry jsou uvedeny při vzdálenosti mezi horní plochou myčky a deskou skříně menší než 5 mm a při dvířkách v rovině skříněk.



2. Pokud je myčka nainstalována v rohu, měl by při otevření dvířek zůstat volný prostor.

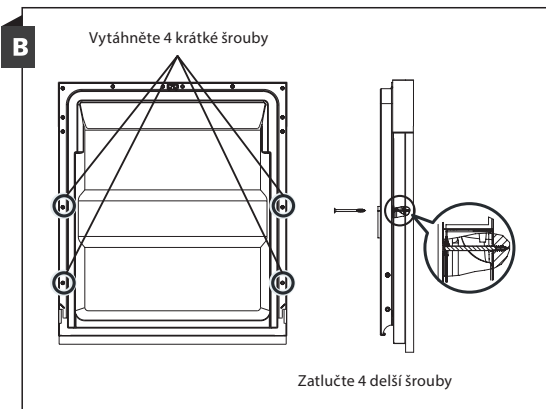
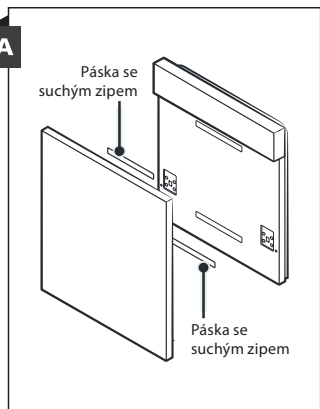
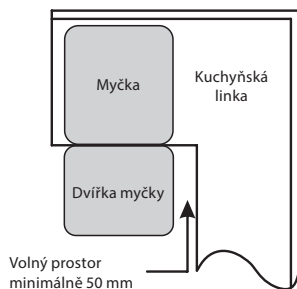
V závislosti na umístění elektrické zásuvky bude možná nutné vyříznout otvor na protější straně skříně.

Rozměry a montáž dekorativního panelu

Při upevňování dekorativního dveřního panelu postupujte podle postupu určeného pro váš model spotřebiče.

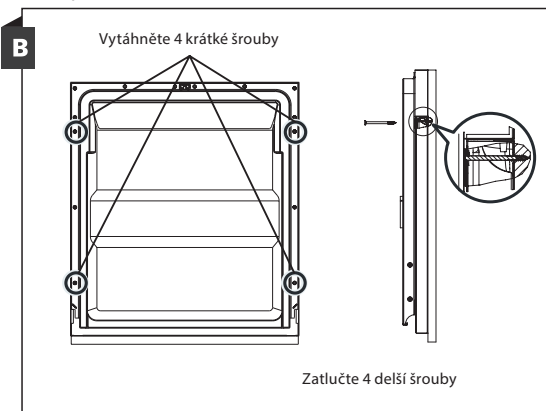
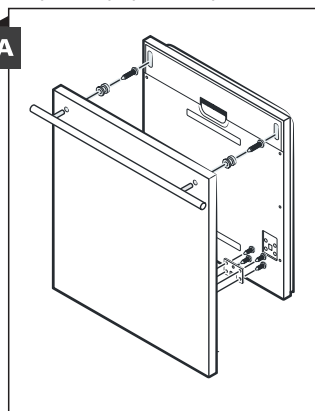
Polovestavěný model

Oddělte pásku se suchým zipem A a pásku se suchým zipem B a připevněte pásku A na vnitřní stranu dekorativního panelu. Připevněte pásku B na vnější stranu dvířek myčky (viz obrázek A). Po umístění panelu připevněte panel na vnější dvířka pomocí šroubů (viz obrázek B).



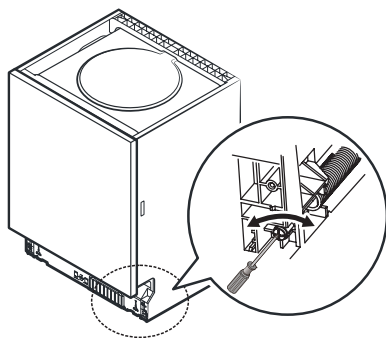
Plně vestavěný model

Nainstalujte háčky na dekorativní panel a vložte ho do otvorů vnějších dvířek myčky (viz obrázek A). Po umístění panelu připevněte panel na vnější dvířka pomocí šroubů (viz obrázek B).



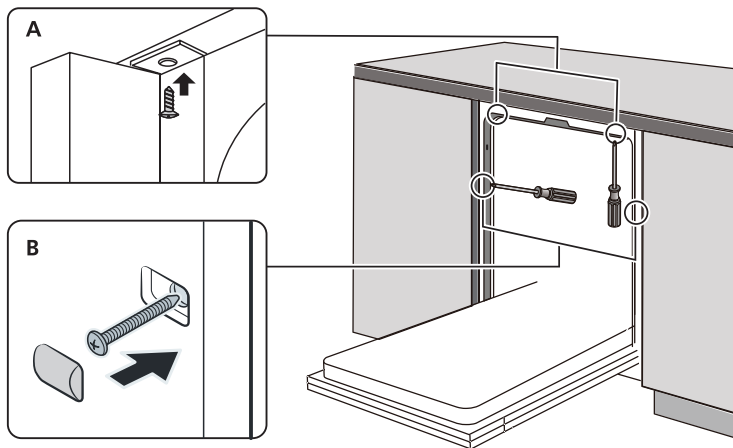
Nastavení odporu pružiny dvířek

1. Pružiny dveří jsou z výroby nastaveny na správný odpor pro vnější dveře. Pokud jsou instalovány dekorativní panely, je nutné nastavit odpor pružin dveří znova. Otáčením seřizovacího šroubu napnete nebo uvolníte ocelové lanko.
2. Odpor pružiny dveří je správný, když dveře zůstávají v plně otevřené poloze vodorovně, ale mírným zvednutím prstem se zvednou a zavřou.



Postup instalace myčky nádobí

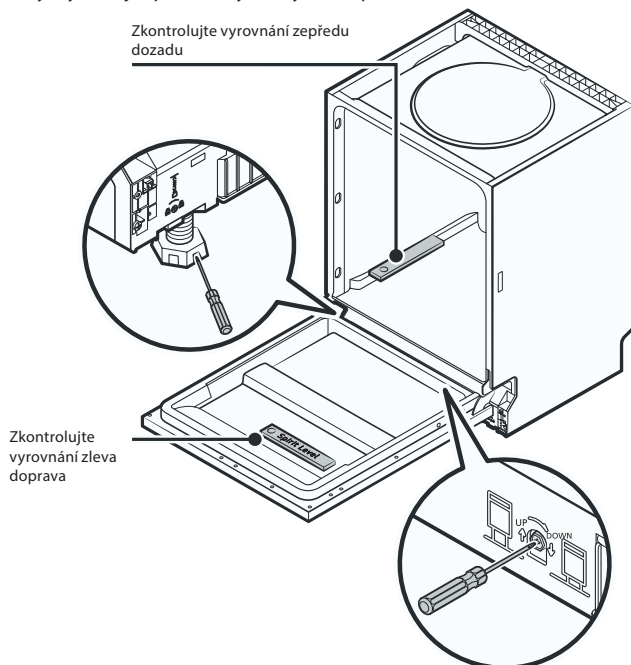
1. Pod pracovní plochu linky připevněte kondenzační lištu. Ujistěte se, že je kondenzační lišta v jedné rovině s okrajem pracovní plochy.
2. Připojte přívodní hadici k přívodu studené vody.
3. Připojte vypouštěcí hadici.
4. Připojte napájecí kabel.
5. Umístěte myčku do kuchyňské linky.
6. Vyrovnajte myčku. Zadní nožičky lze nastavit z přední části myčky otáčením šroubu uprostřed základny myčky. Použijte křížový šroubovák. Pro nastavení předních nožiček použijte plochý šroubovák a otáčejte předními nožičkami, dokud nebude myčka vyrovnaná.
7. Nainstalujte nábytková dvířka na vnější dvířka myčky.
8. Upravte odpor pružiny dvířek otáčením křížového šroubováku ve směru hodinových ručiček. Nedodržení tohoto postupu může způsobit poškození myčky.
9. Myčka nádobí musí být zajištěna na místě. To lze provést dvěma způsoby:
 - A. Normální pracovní deska: Vložte instalační hák do drážky boční strany a připevněte jej k pracovní ploše pomocí šroubů.
 - B. Mramorová nebo žulová pracovní deska: Upevněte boční stranu pomocí šroubů.



Vyrovnání myčky

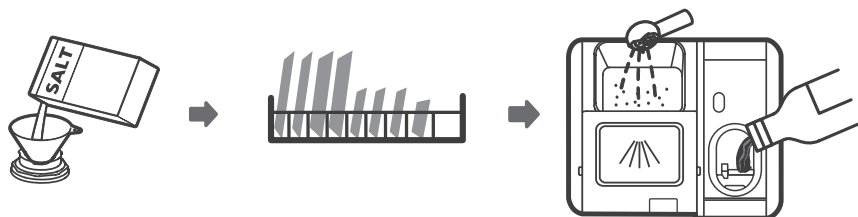
Myčka nádobí musí být v rovině, aby správně fungoval stojan na nádobí a mycí výkon.

1. Umístěte vodováhu na dvířka a kolejnici uvnitř vany podle obrázku a zkontrolujte, zda je myčka v rovině.
2. Myčku nádobí vyrovnejte individuálním nastavením tří vyrovnávacích nožiček.
3. Při vyrovnávání myčky dávejte pozor, aby se myčka nepřevrhla.



Maximální výška nastavení nožiček je 50 mm.

POUŽITÍ MYČKY



1. Vložte sůl do změkčovače, nastavte tvrdost vody a v případě potřeby doplňte leštidlo.
2. Připravte a vložte do myčky nádobí.
3. Naplňte dávkovač mycího prostředku.
4. Zvolte program a spusťte myčku.

VKLÁDÁNÍ SOLI, NASTAVENÍ TVRDMOSTI VODY A PLNĚNÍ LEŠTIDLA

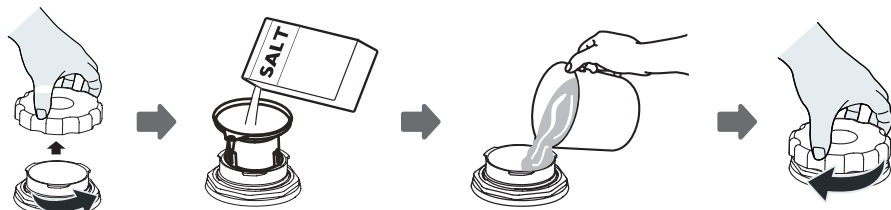
Vždy používejte sůl určenou do myčky nádobí. Nádobna na sůl je umístěna pod spodním košem.

Varování:

- Používejte výhradně sůl určenou pro myčky nádobí! Jiné typy solí, které nejsou určeny pro myčky jako např. kuchyňská sůl, poškodí změkčovač vody. V případě poškození způsobeného použitím nevhodné soli výrobce neposkytuje záruku a není odpovědný za vzniklé škody.

- Sůl plňte pouze před spuštěním cyklu. To zabrání zrnkům soli uvolněným ze zásobníku, aby se po nějakou dobu shromažďovala na dně myčky, kde by mohla způsobit proces koroze.

Při regulaci spotřeby soli proveďte následující pokyny:



1. Vyměňte spodní koš a odšroubujte víčko nádrže.
2. Do otvoru v zásobníku vložte trychtýř (v dodávce) a nasypejte do něj asi 1,5 kg soli.
3. Doplňte zásobník vodou. Malé množství vody obvykle ze zásobníku přeteče ven.
4. Po naplnění zásobníku pevně zašroubujte uzávěr.
5. Po naplnění zásobníku solí přestane svítit kontrolka soli.
6. Ihned po naplnění zásobníků solí spusťte nějaký mycí program (doporučujeme program rychlého mytí). Pokud se tak nestane, slaná voda může poškodit filtrační systém, čerpadlo nebo jinou důležitou součást. V takovém případě zaniká nárok na záruku.

Poznámky:

- Sůl je třeba doplnit v okamžiku, kdy se na ovládacím panelu rozsvítí kontrolka soli (☞). Vzhledem k rychlosti rozpouštění soli může kontrolka soli svítit i poté, co byla sůl doplněna. Pokud na ovládacím panelu není indikátor soli (u některých typů), odhadněte okamžik přidání soli do změkčovače podle počtu provedených mycích cyklů.
- Pokud se sůl rozspála, spusťte oplachovací nebo rychlý program, abyste ji odstranili.

Změkčovač vody

Změkčovač vody nastavte ručně pomocí otočného ovladače tvrdosti vody. Funkcí změkčovače vody je odstraňovat z vody minerály a soli, které by mohly nepříznivě a škodlivě ovlivnit provoz myčky. Čím více je v ní minerálů, tím tvrdší je voda. Změkčovač vody lze nastavit podle míry tvrdosti vody ve vaší oblasti. Informace o tvrdosti vody vám podá váš dodavatel vody.

Nastavení spotřeby soli

Myčka umožňuje regulovat spotřebu soli v závislosti na tvrdosti používané vody. Tak lze míru spotřeby soli optimalizovat a regulovat.

Při regulaci spotřeby soli proveďte následující pokyny:

1. Zavřete dvířka, zapněte spotřebič.
2. Do 60 sekund po zapnutí spotřebiče stiskněte tlačítko programu **Rychlé mytí** na více než 5 sekund, abyste vstoupili do režimu nastavení změkčovače vody.
3. Opětovným stisknutím tlačítka programu **Rychlé mytí** vyberte správnou sadu podle místního prostředí, nastavení se změní v následujícím pořadí: H1 -> H2 -> H3 -> H4 -> H5 -> H6.
4. Režim nastavení ukončíte stisknutím tlačítka napájení (⏻).

STUPNICE TVRDOTI VODY				Nastavení úrovně	Spotřeba soli
Německá (dH)	Francouzská (fH)	Britská (Clarke)	Mmol/l		
0 - 5	0 - 9	0 - 6	0 - 0,94	H1	0
6 - 11	10 - 20	7 - 14	1,0 - 2,0	H2	9
12 - 17	21 - 30	15 - 21	2,1 - 3,0	H3	12
18 - 22	31 - 40	22 - 28	3,1 - 4,0	H4	20

23 - 34	41 - 60	29 - 42	4,1 - 6,0	H5	30
35 - 55	61 - 98	43 - 69	6,1 - 9,8	H6	60

1°dH = 1,25°Clarke = 1,78°fH = 0,178 mmol/l

Tovární nastavení: H3

Naplnění zásobníku leštidlem

Leštadlo se uvolňuje v závěrečné fázi programu při leštění. To zabraňuje, aby se na nádobí vytvářely kapky, které by na něm mohly zanechat skvrny a šmouhy. Také urychluje sušení a odkapávání vody z nádobí. Ve vaší myčce se používá tekuté leštadlo.

Do myčky používejte výhradně značková leštidla. Dávkače leštidla nikdy nepněte jinými látkami (např. čisticím do myček, tekutým saponátem). Mohlo by dojít k poškození přístroje.

Nastavení zásobníku leštidla

Pro dosažení vyššího sušícího výkonu s omezeným množstvím leštidla je myčka navržena tak, aby bylo možné upravit spotřebu podle uživatele. Postupujte podle níže uvedených kroků.

1. Zavřete dvířka a zapněte spotřebič.
2. Do 60 vteřin po kroku 1 stiskněte a podržte tlačítko Program **P** alespoň 5 vteřin, a poté stiskněte tlačítko odložení spuštění (2) pro vstup do režimu nastavení.
3. Pomocí tlačítka Program **P** vyberte požadované nastavení v následujícím pořadí: D1 -> D2 -> D3 -> D4 -> D5 -> D1. Čím vyšší číslo, tím více leštidla myčka spotřebuje.
4. Stisknutím tlačítka napájení \odot dokončete nastavení. Nastavení bude uloženo také po 5 vteřinách bez aktivity.

Kdy doplnit leštadlo

Pravidelnost doplňování leštidla závisí na četnosti mytí nádobí a na použitém nastavení.

- Pokud je potřeba více leštidla, rozsvítí se indikátor nedostatku leštidla (☼).
- Nepřepĺňujte dávkovač leštidla.

PLNĚNÍ KOŠŮ NÁDOBÍM

- Zvažte nákup takového nádobí a příborů, které jsou určeny do myček nádobí.
- Pro určité druhy nádobí zvolte program pracující s nejnižší možnou teplotou.
- Sklo a nože vyjměte z myčky co nejdříve po skončení mytí. Zabráníte tak možnému poškození.

Toto nádobí není vhodné k mytí v myčkách:

- Příbory s dřevěnými, porcelánovými, rohovinovými nebo perleťovými držadly.
- Nádoby z plastů, které nejsou odolné teple.
- Starší příbory s lepenými částmi, které nejsou odolné teple.
- Cínové a měděné předměty.
- Křišťálové sklo.
- Ocelové předměty, které rezavějí.
- Dřevěné mísy.
- Předměty ze syntetických vláken.
- Některé druhy skel, která mohou po často opakovaném mytí zmatnět.
- Stříbrné a hliníkové části, které mají sklon ztrácet při mytí barvu.
- Glazurované vzory mohou při častém mytí v myčce vyblednout.

Doporučení pro plnění myčky

Odstraňte z nádobí větší zbytky pokrmů. Zbytky připálených pokrmů nechte nejdříve změkknout v pánvi. Nádobí není třeba předem oplachovat pod tekoucí vodou.

Nejllepších výsledků mytí dosáhnete tehdy, když se budete řídit následujícími pokyny. **(Funkce a vzhled košů na nádobí a příbory se mohou lišit podle modelu myčky.)**

Předměty ukládejte do myčky následujícím způsobem:

- Předměty jako šálky, sklenice, hrnce, misky apod. ukládejte vzhůru dnem.
- Nádobí se zakřivenými nebo vyklenutými částmi pokládejte šikmo tak, aby z nich mohla vytékat voda.
- Všechny předměty urovnejte tak, aby se nemohly převrhnout.
- Všechny předměty urovnejte tak, aby ostříkovací ramena mohla volně pohybovat.
- Duté předměty jako šálky, sklenice, misky apod. ukládejte dnem vzhůru, aby se v nich nemohla shromažďovat voda.
- Nádobí a příbory nesmějí být pokládány na sebe ani se překrývat. Aby nedošlo k poškození, neměly by se sklenice vzájemně dotýkat.
- Horní koš je určen pro křehčí a menší předměty jako jsou sklenice nebo šálky a hrnky.
- Nože s dlouhou čepelí uložené ve svislé poloze představují nebezpečí!
- Dlouhé nebo ostré předměty, jako jsou krájecí nože, musí být uloženy ve vodorovné poloze v horním koši.
- Nikdy myčku nepřetěžujte. Jen tak dosáhnete dobrých výsledků a ušetříte energii.

UPOZORNĚNÍ: NÁDOBÍ BUDE HORKÉ!

Abyste předešli popálení, nevynávejte sklo a příbory z myčky přibližně 15 minut po skončení programu.

Poznámka: Velmi malé předměty by se do myčky dávat neměly, protože by mohly snadno propadnout košem.

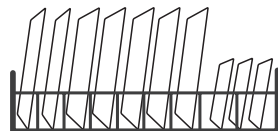
Plnění horního koše

Horní koš je určen pro křehčí a menší předměty jako jsou sklenice, hrnky, šálky a podšálky a dále talíře, misky a mělké misky (pokud nejsou příliš znečištěny). Nádobí a příbory ukládejte tak, aby je nemohl převrhnout proud stříkající vody.



Plnění spodního koše

Dlouhé předměty a předměty, které se obtížně myjí, tj. hrnce, pánve, poklice, talíře a misky doporučujeme vkládat do spodního koše, jak znázorňuje obrázek. Talíře a poklice doporučujeme ukládat do drážek po straně koše, aby nebránily rotaci horního ostříkovacího ramene. Maximální doporučený průměr talířů před dávkovačem mycího prostředku je 19 cm, aby nebránil jeho otevírání.



Plnění přihrádky na příbory

Příbory by měly být v přihrádce umístěny odděleně na příslušných místech. Příbory neukládejte příliš blízko k sobě, abyste zabránili nedostatečnému umytí.

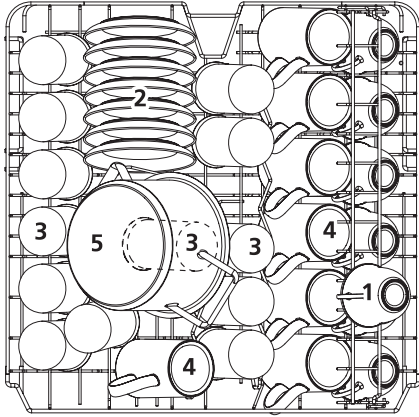
VAROVÁNÍ:

Ujistěte se, že žádný předmět neprochází dnem. Ostré předměty ukládejte vždy ostřím dolů!

Plnění košů podle normy EN60436

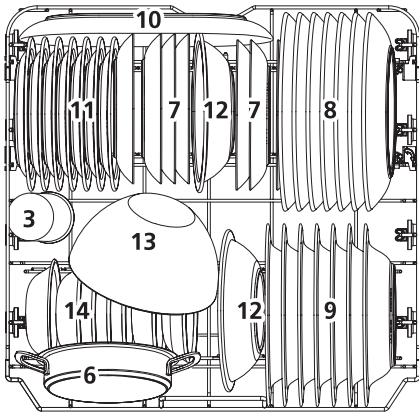
Plně naplnění myčky přispěje k úspoře energie a vody.

Horní koš



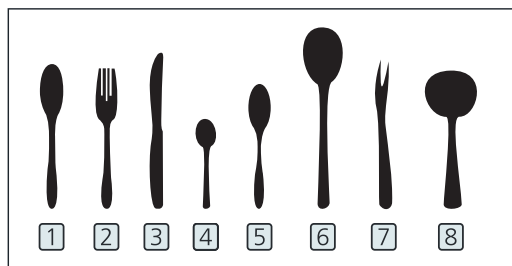
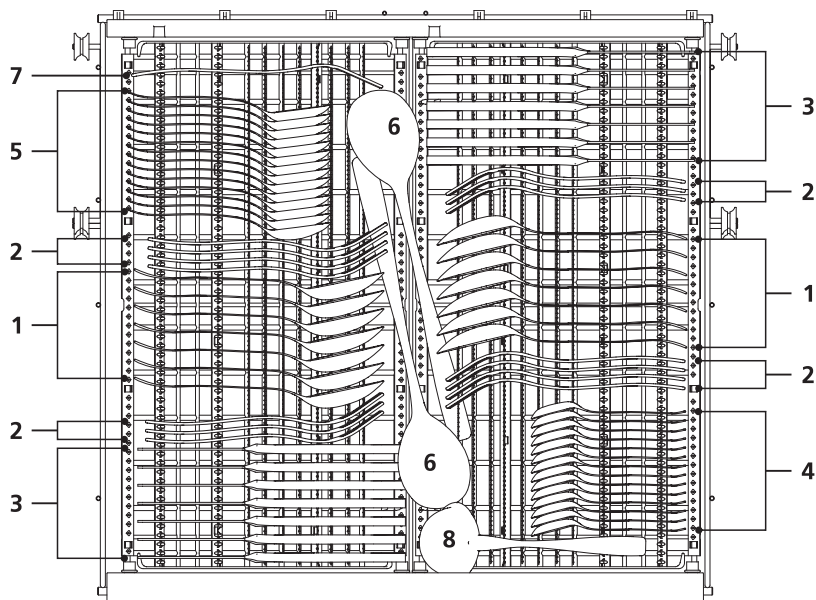
1. Šálky
2. Podšálky
3. Sklenice
4. Hrnky
5. Malé hrnce

Spodní koš



6. Pekáče
7. Dezertní talíře
8. Mělké talíře
9. Hluboké talíře
10. Oválné talíře
11. Melaminové dezertní talíře
12. Melaminové misky
13. Skleněné misky
14. Dezertní misky

Příhrádka na příbory



1. Polévkové lžíce
2. Vidličky
3. Nože
4. Čajové lžičky
5. Lžíce na dezert
6. Servírovací lžíce
7. Servírovací vidličky
8. Naběračky

Informace pro srovnatelnost

Testováno podle normy EN60436

Kapacita: 14 sad nádobí

Poloha horního koše: spodní poloha

Program: ECO

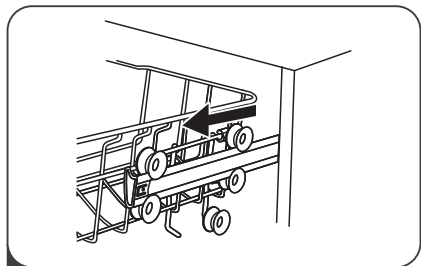
Nastavení leštění: Max.

Nastavení změkčovače: H3

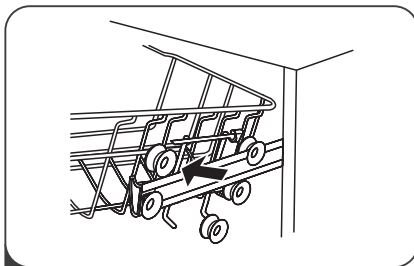
Nastavení polohy horního koše

Výšku horního koše lze snadno nastavit tak, aby se do horního nebo spodního koše vešlo vyšší nádobí. Chcete-li nastavit výšku horního koše, postupujte podle následujících pokynů.

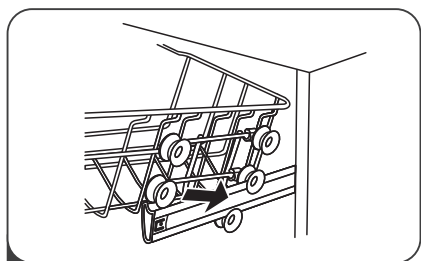
Varianta 1:



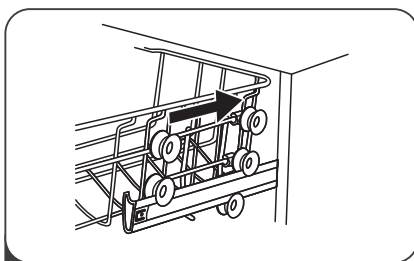
1 Vysuňte horní koš.



2 Vytáhněte horní koš.

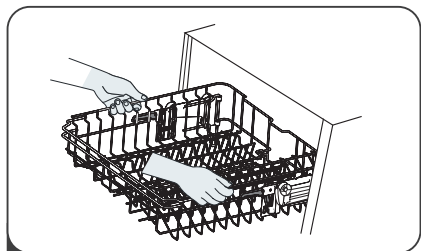


3 Znovu nasaděte horní koš na horním nebo spodním kolečka.

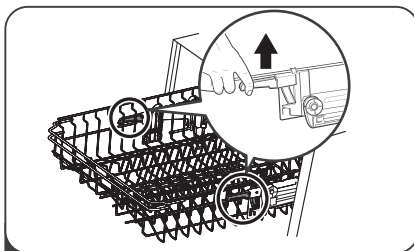


4 Zasuňte horní koš dovnitř.

Varianta 2:



1 Chcete-li zvednout horní koš, stačí zvednout horní koš uchycením uprostřed každé strany, dokud se koš nezajistí v horní poloze. Není nutné zvedat nastavovací rukojeť.



2 Chcete-li polohu horního koše snížit, zvedněte nastavovací rukojeť na obou stranách, čímž koš uvolníte a spustíte do spodní polohy.

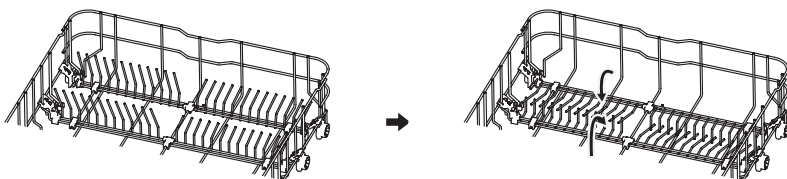
Odklopení přihrádek na sklenice

Chcete-li v horní koši uvolnit místo pro vyšší předměty, zvedněte držák na sklenice nahoru. O něj pak můžete opřít vysoké předměty.

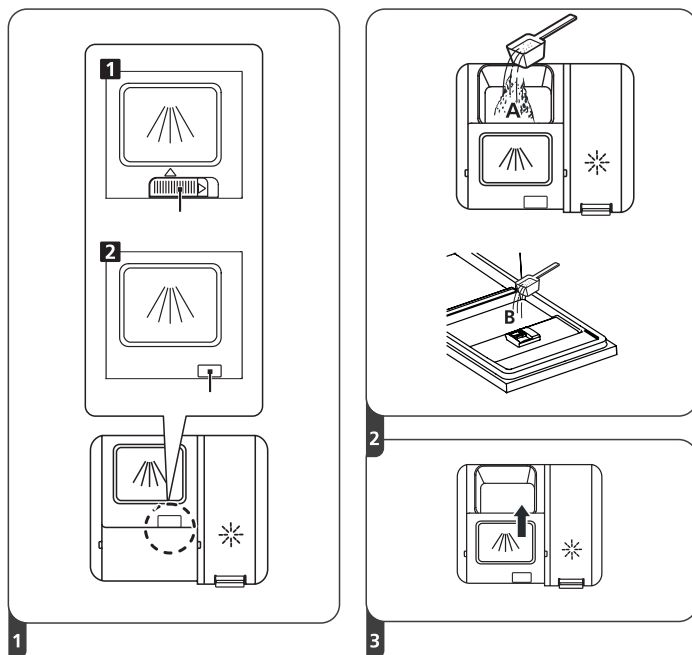


Sklopení přihrádek na talíře

Přihrádky ve spodní koši slouží k uložení talířů. Lze je sklopit, abyste získali více místa pro velké předměty.



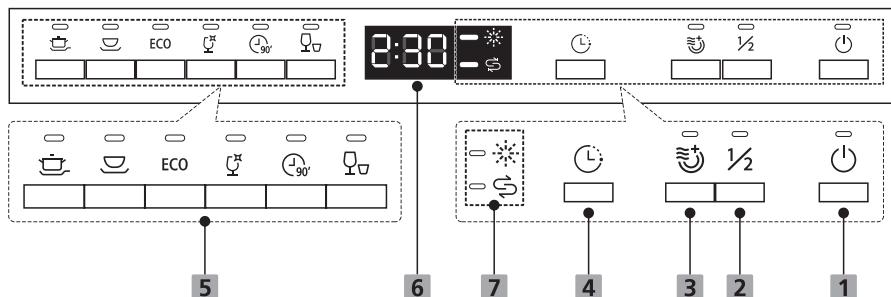
PLNĚNÍ MYCÍHO PROSTŘEDKU (TABLETY)



1. Způsob otevírání víčka zvolte podle vašeho modelu.
 - Otevřete víčko posunutím pojistky (1).
 - Otevřete víčko stisknutím pojistky (2).
2. Pro hlavní mycí cyklus přidejte prací prostředek do většího otvoru (A). Pro lepší výsledek čištění, zejména pokud máte velmi znečištěné nádobí, nalijte na dvířka malé množství čistícího prostředku. Přídavný čistící prostředek se spotřebuje během fáze předmytí.
3. Klapku zavřete tak, že ji posunete dopředu a zatlačíte dolů.

Poznámka: Přečtěte si doporučení výrobce na obalu mycího prostředku.

OVLÁDACÍ PANEL A VÝBĚR PROGRAMU (EDI 100363)



1 Napájení

Stisknutím tohoto tlačítka zapnete myčku, rozsvítí se obrazovka.

2 Poloviční zátěž

Pokud máte k mytí přibližně polovinu nebo méně než polovinu nádobí, můžete zvolit tuto funkci, abyste ušetřili energii a vodu (nelze použít s programem Rychlé mytí).

3 Extra sušení

K lépe vysušenému nádobí (lze použít pouze s programy Intenzivní, Univerzální, ECO, Sklenice a 90 min). Po stisknutí tohoto tlačítka se rozsvítí příslušný indikátor.

4 Odložení spuštění

Stisknutím tohoto tlačítka nastavíte hodiny odložení mytí. Začátek mytí můžete odložit až o 24 hodin. Jedním stisknutím tohoto tlačítka odložíte začátek mytí o jednu hodinu.

5 Indikátor programů

Zobrazí vybraný program (viz tabulka níže).

6 Obrazovka

Zobrazení zbývajících času programu a doby odložení, chybového kódu atd.

7 Varovné ukazatele



Leštidlo

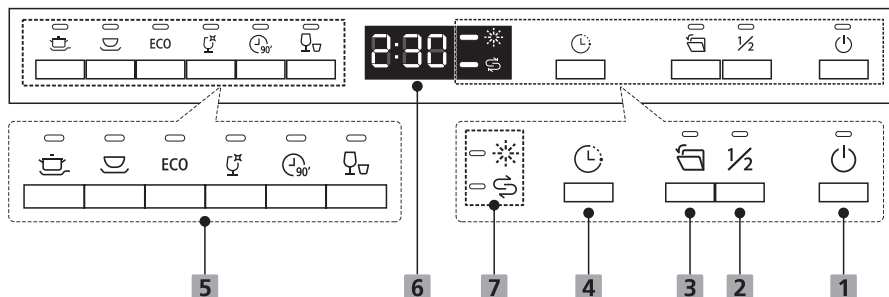
Pokud svítí indikátor leštidla, znamená to, že je v myčce málo leštidla a je třeba jej doplnit.



Sůl

Pokud svítí indikátor soli, znamená to, že je v myčce málo soli a je třeba ji doplnit.

OVLÁDACÍ PANEL A VÝBĚR PROGRAMU (EDI 300163)



1 Napájení

Stisknutím tohoto tlačítka zapnete myčku, rozsvítí se obrazovka.

2 Poloviční zátěž

Pokud máte k mytí přibližně polovinu nebo méně než polovinu nádobí, můžete zvolit tuto funkci, abyste ušetřili energii a vodu (nelze použít s programem Rychlé mytí).

3 Automatické otevření dvířek

Po skončení mytí se dvířka automaticky otevřou, aby se dosáhlo lepšího účinku sušení. Lze používat pouze s programy Intenzivní, Univerzální, ECO, Sklo, 90 min.

4 Odložení spuštění

Stisknutím tohoto tlačítka nastavíte hodiny odložení mytí. Začátek mytí můžete odložit až o 24 hodin. Jedním stisknutím tohoto tlačítka odložíte začátek mytí o jednu hodinu.

5 Indikátor programů

Zobrazí vybraný program (viz tabulka níže).

6 Obrazovka

Zobrazení zbývajících času programu a doby odložení, chybového kódu atd.

7 Varovné ukazatele



Leštidlo


Pokud svítí indikátor leštidla, znamená to, že je v myčce málo leštidla a je třeba jej doplnit.







Sůl


Pokud svítí indikátor soli, znamená to, že je v myčce málo soli a je třeba ji doplnit.





Tabulka mycích programů (EDI 100363)

Program	Popis programu	Vhodné nádobí	Množství mycího prostředku (předmytí / mytí)	Doba trvání (min)	Energie (kWh)	Spotřeba vody (l)	Leštidlo
 Intenzivní	Předmytí (50 °C) Mytí (65 °C) Oplachování Oplachování Oplach (65 °C) Sušení	Silně znečištěné nádobí včetně hrnců a pánví se zaschlými zbytky.	4/18 g 1 nebo 2 tablety	205	1,621	17,8	Ano

Program	Popis programu	Vhodné nádobí	Množství mycího prostředku (předmytí / mytí)	Doba trvání (min)	Energie (kWh)	Spotřeba vody (l)	Leštiadlo
 Univerzální	Předmytí (45 °C) Mytí (55 °C) Oplachování Oplach (65 °C) Sušení	Pro běžně znečištěné nádobí, jako jsou hrnce, talíře, sklenice a lehce znečištěné pánve.	4/18 g 1 nebo 2 tablety	175	1,302	14,3	Ano
ECO *EN60436	Mytí (45 °C) Oplachování Oplach (60 °C) Sušení	Jedná se o standardní program vhodný pro běžně znečištěné nádobí, jako jsou hrnce, talíře, sklenice a lehce znečištěné pánve.	4/18 g 1 nebo 2 tablety	220	0,951	11,0	Ano
 Sklo	Předmytí Mytí (50 °C) Oplachování Oplach (65 °C) Sušení	Na lehce znečištěné nádobí a sklo.	4/18 g 1 tableta	120	1,100	14,3	Ano
 90 min.	Mytí (60 °C) Oplachování Oplach (65 °C) Sušení	Pro běžně znečištěné nádobí, které potřebujete rychle umýt..	22 g 1 tableta	90	1,350	11,7	Ano
 Rychlé mytí	Mytí (50 °C) Oplachování Oplach (45 °C)	Kratší mytí pro lehce znečištěné nádobí, které není třeba sušit.	20 g 1 tableta	30	0,751	11,2	Ne

Tabulka mycích programů (EDI 300163)

Program	Popis programu	Vhodné nádobí	Množství mycího prostředku (předmytí / mytí)	Doba trvání (min)	Energie (kWh)	Spotřeba vody (l)	Leštiadlo
 Intenzivní	Předmytí (50 °C) Mytí (65 °C) Oplach Oplach (60 °C) Sušení	Silně znečištěné nádobí včetně hrnců a pánví se zaschlými zbytky.	4/18 g 1/2 tablety	205	1,651	18,7	Ano

Program	Popis programu	Vhodné nádobí	Množství mycího prostředku (předmytí / mytí)	Doba trvání (min)	Energie (kWh)	Spotřeba vody (l)	Leštidlo
 Univerzální	Předmytí (45 °C) Mytí (55 °C) Oplach Oplach (60 °C) Sušení	Pro běžně znečištěné nádobí, jako jsou hrnce, talíře, sklenice a lehce znečištěné pánve.	4/18 g 1/2 tablety	175	1,451	18,7	Ano
ECO *EN60436	Mytí (50 °C) Oplachování Oplach (50 °C) Sušení	Jedná se o standardní program vhodný pro běžně znečištěné nádobí, jako jsou hrnce, talíře, sklenice a lehce znečištěné pánve.	22 g 1/2 tablety	198	0,849	11,0	Ano
 Sklo	Předmytí (40 °C) Mytí (50 °C) Oplachování Oplach (50 °C) Sušení	Na lehce znečištěné nádobí a sklo.	4/18 g 1/2 tablety	120	0,902	15,2	Ano
 90 min.	Mytí (55 °C) Oplachování Oplach (50 °C) Sušení	Pro běžně znečištěné nádobí, které potřebujete rychle umýt..	22 g 1/2 tablety	90	0,891	11,5	Ano
 Rychlé mytí	Mytí (40 °C) Oplachování (40 °C) Oplach (55 °C)	Kratší mytí pro lehce znečištěné nádobí, které není třeba sušit.	12 g 1 tableta	30	0,781	11,0	Ne

* Program ECO je vhodný pro čištění běžně znečištěného nádobí, pro toto použití je nejúčinnějším programem z hlediska kombinované spotřeby energie a vody a používá se k posouzení souladu se směrnicemi EU o ekodesignu.

Úspora energie

- Předběžné oplachování nádobí vede ke zvýšené spotřebě vody a energie a nedoporučuje se.
- Při mytí nádobí v myčce nádobí pro domácnost se obvykle spotřebuje méně energie a vody než při ručním mytí nádobí, pokud se myčka nádobí pro domácnost používá podle návodu.

Spuštění programu

1. Vytáhněte oba koše, naplňte je nádobím a zasuňte je zpět. Doporučujeme naplnit nejdříve dolní koš a potom horní.
2. Vložte mycí prostředek.
3. Připojte napájecí přívod do síťové zásuvky. Pro informace o napájení viz informační list produktu. Zkontrolujte, zda je přívod vody spuštěn naplno.
4. Zavřete dvířka a stiskněte tlačítko napájení.
5. Zvolte program, rozsvítí se kontrolka odezvy. Poté zavřete dvířka a myčka zahájí mycí cyklus.

Změna programu během mytí

Program lze změnit pouze v případě, že byl spuštěn jen krátkou dobu, jinak se již mohl uvolnit prací prostředek nebo již byla vypuštěna voda s mycím prostředkem. Pak je potřeba myčku vypnout a zásobník mycího prostředku znovu naplnit. Chcete-li myčku resetovat, postupujte podle níže uvedených pokynů:

1. Otevřením dvířek zastavíte mycí cyklus.
2. Stiskněte tlačítko Program déle než tři sekundy, spotřebič se přepne do režimu volby programu.
3. Program můžete změnit na požadované nastavení cyklu.

ÚDRŽBA A ČIŠTĚNÍ

Vnějšek spotřebiče

Dveře a těsnění dveří

Těsnění dvířek pravidelně čistěte měkkým vlhkým hadříkem, abyste odstranili usazeniny potravin. Při plnění myčky mohou zbytky jídla a nápojů odkapávat na boky dvířek myčky. Tyto plochy jsou mimo mycí skříň a voda z ostříkovacích ramen k nim nemá přístup. Před zavřením dveří je třeba setřít případné usazeniny.

Ovládací panel

V případě potřeby čištění otřete ovládací panel pouze měkkým vlhkým hadříkem.

VAROVÁNÍ:

Nepoužívejte žádné čisticí prostředky ve spreji, mohly by způsobit vniknutí vody do zámku dvířek a do elektrických součástí. Na vnější povrchy nikdy nepoužívejte abrazivní čisticí prostředky nebo drátěnky, protože by mohly poškrábat povrch. Některé papírové utěrky mohou také poškrábat povrch nebo na něm zanechat stopy.

Vnitřek spotřebiče

Filtrační systém

Filtrační systém ve spodní části mycí skříň zachycuje hrubé nečistoty z mycího cyklu, včetně cizích předmětů, jako jsou zubní kleště nebo střepy. Shromážděné hrubé nečistoty mohou způsobit ucpání filtrů. Pravidelně kontrolujte stav filtrů, opatrně odstraňujte cizí předměty a v případě potřeby čistěte části filtračního systému vodou. Při čištění filtru postupujte podle následujících pokynů.

1. Podržte hrubý filtr a otáčením proti směru hodinových ručiček jej odemkněte. Zvedněte filtr nahoru a vyjměte jej z myčky.
2. Jemný filtr lze vytáhnout ze spodní části filtrační sestavy. Hrubý filtr lze od hlavního filtru oddělit jemným stisknutím výstupků v horní části a jeho vytažením.
3. Větší zbytky potravin lze vyčistit propláchnutím filtru pod tekoucí vodou. Pro důkladnější čištění použijte měkký čisticí kartáč.
4. Znovu smontujte filtry v opačném pořadí než při demontáži, vyměňte vložku filtru a otočte ji ve směru hodinových ručiček až k zavírací šipce.

VAROVÁNÍ:

- Filtry příliš neutahujte. Vraťte filtry zpět ve správném pořadí, jinak by se do myčky mohly dostat hrubé nečistoty a způsobit ucpání.
- Nikdy nepoužívejte myčku bez nasazených filtrů. Nesprávná výměna filtru může snížit úroveň výkonu spotřebiče a poškodit nádobí a spotřebič.

Ostříkovací ramena

Pravidelné čištění ostříkovacích ramen od chemikálií z tvrdé vody je velmi důležité, protože vznikající vodní kámen zanáší trysky a ložiska.

Chcete-li vyčistit ostříkovací ramena, postupujte podle níže uvedených pokynů:

1. Chcete-li sejmut horní ostříkovací rameno, podržte matici uprostřed a otáčejte ostříkovacím ramenem proti směru hodinových ručiček.

2. Chcete-li spodní ostříkovací rameno vyjmout, vytáhněte ho směrem nahoru.
3. Opláchněte ostříkovací ramena v teplé mýdlové vodě a jemným kartáčem očistěte trysky.

ŘEŠENÍ POTÍŽÍ

Ještě než zavoláte do servisu

Pokud si přečtete obsah tabulek na následujících stránkách, možná nebudete muset volat do servisu.

Problém	Možná příčina	Co dělat
Myčka se nespustí.	Spálená pojistka nebo jistič rozpojil obvod.	Vyměňte pojistku nebo zapněte jistič. Odpojte všechny ostatní elektrospotřebiče sdílející stejný síťový okruh s myčkou.
	Napájení není zapnuto.	Zkontrolujte, zda je myčka zapnuta a dvířka jsou řádně zavřena. Zkontrolujte, zda je zástrčka napájecího přívodu řádně připojena do síťové zásuvky.
	Tlak vody je nízký.	Zkontrolujte, zda je přívod vody řádně připojen a přívodní ventil otevřen.
	Dvířka myčky nejsou řádně zavřena.	Zkontrolujte, zda jsou dvířka řádně zavřena.
Z myčky se neodčerpává voda.	Překroucená nebo zachycená vypouštěcí hadice.	Zkontrolujte vypouštěcí hadici.
	Filtr je ucpaný.	Zkontrolujte filtrační systém.
	Kuchyňská výlevka je ucpaná.	Zkontrolujte kuchyňskou výlevku, zda dobře vypouští vodu. Pokud voda z výlevky neodtéká, obraťte se na instalatéra.
Mydliny v jímcě.	Špatný mycí prostředek.	Používejte pouze speciální prostředky do myček, aby se netvořila pěna. Pokud se pěna vytvoří, otevřete dvířka myčky a nechte pěnu zmizet. Nalijte do jímký 1 l studené vody. Zavřete dvířka myčky a zvolte libovolný program. Zpočátku myčka vypustí vodu. Po dokončení fáze vypouštění otevřete dvířka a zkontrolujte, zda se pěna ztratila. V případě nutnosti opakujte.
	Přeteklé leštidlo.	Přeteklé leštidlo vždy ihned otřete.
Zrezivělý vnitřek jímký	Mohl být použit mycí prostředek s barvivem.	Ujistěte se, že používáte prostředek bez barviva.

Problém	Možná příčina	Co dělat
Bílý potah na vnitřním povrchu.	Vodní kámen z tvrdé vody.	K vyčištění vnitřku použijte houbu navlhčenou v čisticím prostředku pro myčky. Použijte gumové rukavice. Nikdy nepoužívejte jiný čisticí prostředek než pro myčky, zabráníte tak pěníni nebo vzniku mydlin.
Na příborech zůstávají skvrny od rzi.	Tyto přístroje nejsou odolné proti korozi.	V myčce nádobí nemyjte předměty, které nejsou odolné proti korozi.
	Po přidání soli se myčka nespustí. Do mycího cyklu se dostala sůl.	Po přidání soli vždy spusťte mycí program bez nádobí. Po přidání soli do myčky nádobí nezapínejte funkci Turbo (je-li k dispozici).
	Víko změkčovače soli je uvolněné.	Zkontrolujte, zda je víko změkčovače pevně zajištěno.
Klepání v myčce nádobí	Ostříkovací rameno naráží na nějaký předmět v koši.	Přerušte program a přeuspořádejte nádobí, které překáží ostříkovacímu ramenu v pohybu.
Chrastění v myčce nádobí	Porcelánové nádobí je uvnitř příliš volně.	Přerušte program a přeuspořádejte nádobí.
Tlučení ve vodních trubcích.	Může být způsobeno místní instalací nebo velikostí průřezu potrubí.	Na funkci myčky to nemá žádný vliv. V případě pochybností se obraťte na kvalifikovaného instalatéra.
Nádobí není čisté.	Nádobí nebylo správně uloženo.	Viz přípravu a vkládání nádobí.
	Nebyl zvolen dostatečně výkonný program.	Zvolte výkonnější program.
	Neuvolnilo se dostatečné množství mycího prostředku.	Přidejte více mycího prostředku nebo použijte jiný typ.
	Kusy nádobí vadí v pohybu ostříkovacích ramen.	Přeuspořádejte nádobí tak, aby nebránilo ostříkovacím ramenům v pohybu.
	Filtrační systém vespuďu mycího prostoru není správně sesazen nebo není čistý. To může způsobit zablokování ostříkovacích trysek.	Vyčistěte filtr nebo sesadte řádně jeho části dohromady. Vyčistěte ostříkovací trysky.
Zakalení na skleněném nádobí.	Kombinace měkké vody a nadbytečného množství mycího prostředku.	Pokud používáte měkkou vodu, použijte k mytí skla méně mycího prostředku a zvolte kratší program.

Problém	Možná příčina	Co dělat
Na nádobí a sklenicích se objevují bílé skvrny.	Oblast s tvrdou vodou může způsobit usazování vodního kamene.	Zkontrolujte nastavení změkčovače vody nebo stav naplnění zásobníku soli.
Černé nebo šedé skvrny na nádobí.	Hliníkové předměty se dostaly do styku s ostatním nádobím.	K odstranění těchto skvrn použijte jemné abrazivní čisticidlo.
V nádobce dávkovače zůstal mycí prostředek.	Nádobí zakrývalo nádobku dávkovače.	Přeuspořádejte nádobí.
Nádobí se nevysuší.	Nesprávné uložení do koše.	Pokud se na nádobí objeví zbytky mycího prostředku, použijte rukavice, abyste předešli podráždění pokožky.
	Nádobí bylo vyjmuto příliš brzy.	Nevyjímejte nádobí bezprostředně po skončení mytí. Pootevřete dvířka, aby mohla uniknout pára. Nádobí vyjměte, dokud není vnitřní teplota bezpečná na dotek. Nejdříve vysypte spodní koš, abyste zabránili odkapávání vody z horního koše.
	Byl zvolen nevhodný program.	Při krátkém programu je teplota mytí nižší, což snižuje mycí výkon. Zvolte program s delším procesem mytí.
	Použití příborů s nekvalitním povrchem	Sušení takovýchto předmětů je mnohem náročnější. Takovéto příbory a nádobí nejsou vhodné k mytí v myčkách.

VAROVÁNÍ:

Vlastní nebo neodborná oprava může způsobit vážné ohrožení bezpečnosti uživatele spotřebiče a ovlivnit záruku.

CHYBOVÉ KÓDY A JEJICH VÝZNAM

Kód	Význam	Možná příčina
E1	Napouštění vody trvá déle než se čekalo.	Ventil je uzavřený, tlak vody je příliš nízký nebo došlo k přerušení dodávky vody.
E3	Nepodařilo se dosáhnout požadované teploty.	Porucha topného tělesa.
E4	Přetečení vody.	Došlo k úniku vody.
Ed	Chyba elektronické komunikace.	Došlo ke zkratu nebo poruše elektronického obvodu.

VYUŽITÍ A LIKVIDACE ODPADU

Balící papír a vlnitá lepenka – odevzdat do sběrných surovin. Přebalová folie, PE sáčky, plastové díly – do sběrných kontejnerů na plasty.

LIKVIDACE VÝROBKU PO UKONČENÍ ŽIVOTNOSTI

Likvidace použitých elektrických a elektronických zařízení (platí v členských zemích EU a dalších evropských zemích se zavedeným systémem třídění odpadu)

Vyobrazený symbol na produktu nebo na obalu znamená, že s produktem by nemělo být nakládáno jako s domovním odpadem. Produkt odevzdejte na místo určené pro recyklaci elektrických a elektronických zařízení. Správnou likvidací produktu zabráníte negativním vlivům na lidské zdraví a životní prostředí. Recyklace materiálů přispívá k ochraně přírodních zdrojů. Více informací o recyklaci tohoto produktu Vám poskytne obecní úřad, organizace pro zpracování domovního odpadu nebo prodejní místo, kde jste produkt zakoupili.



08/05

Tento výrobek splňuje požadavky směrnice EU o elektromagnetické kompatibilitě a elektrické bezpečnosti.



Návod k obsluze je k dispozici na webových stránkách www.ecg-electro.eu.

Změna textu a technických parametrů vyhrazena.

Kontakt na odborný servis tohoto produktu naleznete v příloženém Záručním listu nebo na stránkách www.ecg-electro.eu.

- Záruka na tento výrobek je 24 měsíců.
- Náhradní díly uvedené v EU 2019/2022 jsou k dispozici po dobu 7 nebo 10 let podle typu náhradních dílů.
- Přístup do databáze produktů, kde jsou uloženy informace k tomuto výrobku dle EU 2019/2017, můžete získat načtením QR kódu na energetickém štítku.

BIZTONSÁGI ELŐÍRÁSOK

Olvassa el figyelmesen és a későbbi felhasználásokhoz is őrizze meg!

Figyelmeztetés! A jelen útmutatóban feltüntetett biztonsági előírások és utasítások nem tartalmazznak minden olyan feltételt és körülményt, amely a használat során bekövetkezhet. A felhasználónak meg kell értenie, hogy egyetlen termékbe sem lehet beépíteni a felhasználótól elvárható elővigyázatosságot és gondosságot. Ezekről a készüléket használó és kezelő felhasználóknak kell gondoskodniuk.

Nem vállalunk felelősséget a készülék helytelen használatából, a hálózati feszültség-ingadozásokból, vagy a készülék bármilyen jellegű átalakításából és módosításából eredő károkért.

Tartsa be a jelen útmutatóban leírt utasításokat. A készülék használatba vétele előtt figyelmesen olvassa el a használati útmutatót, és azt őrizze meg későbbi felhasználásokhoz is.

A tüzek, áramütések és egyéb sérülések megelőzése érdekében, az elektromos készülékek használata során tartsa be az általános és az alábbiakban feltüntetett biztonsági utasításokat:

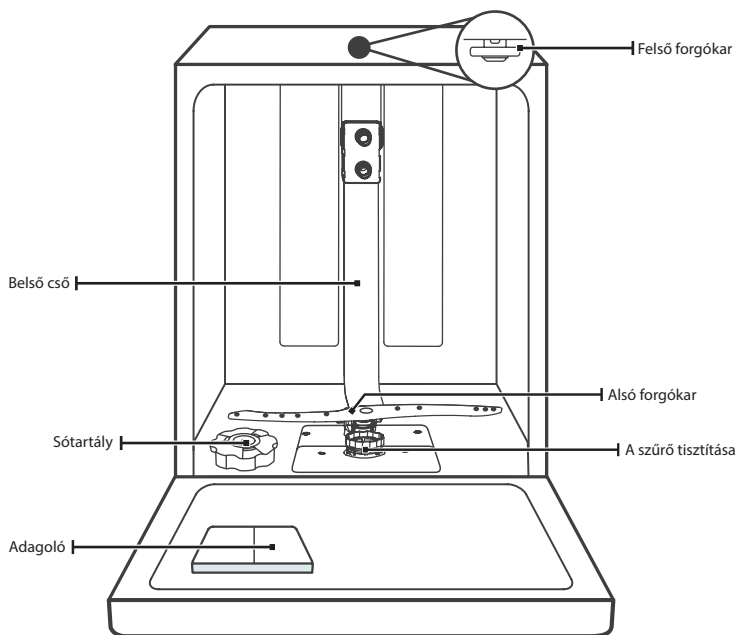
1. A készüléket 8 évnél idősebb gyerekek, idős, testi és szellemi fogyatékos személyek, illetve a készülék használatát nem ismerő és hasonló készülék üzemeltetéseinek a tapasztalataival nem rendelkező személyek csak a készülék használati előírásait ismerő és a készülék használatáért felelősséget vállaló személy felügyelete mellett használhatják. A készülék nem játék, azzal gyerekek nem játszhatnak. Felügyelet nélkül a készüléket gyerekek nem tisztíthatják és nem tarthatják karban.
2. A kosárba ne tegyen nehéz és nagy méretű edényeket. A kosarat ne töltse túl. A gyártó nem vállal felelősséget azokért a meghibásodásokért és sérülésekért, amelyeket a készülék helytelen használata okozott.
3. A mosogatási ciklus alatt a készülék ajtaját ne nyissa ki. Ha a mosogatási ciklus alatt az ajtót kinyitja, akkor a védelmi rendszer leállítja a készülék működését.

4. A balesetek megelőzése érdekében a készülék ajtaját ne hagyja nyitva. A mosogatógép ajtaját ne hagyja nyitva, az ajtóban megbotolhat a gép közelében tartózkodó személy.
5. **Figyelmeztetés!** A késeket és más éles vagy hegyes konyhai eszközöket az élükkel (hegyükkel) lefelé (vagy vízszintes helyzetben) kell a kosárba helyezni.
6. Az áramütések megelőzése érdekében, a készülék sérült hálózati vezetékét csak márkaszerviz, vagy villanyszerelő szakember cserélheti ki.
7. Amennyiben az EnergySave funkció be van kapcsolva, akkor a mosogatási program végén az ajtó kinyílik. A zárt ajtót ne próbálja meg erővel kinyitni, az ajtózár megsérülhet. A hatékony szárítás érdekében az ajtót a program befejezése után 30 perccel teljesen nyissa ki (az automatikus ajtónyitással rendelkező modellek esetében).
8. **Figyelmeztetés!** Amikor megszólal az ajtónyitást jelző sípszó, ne álljon az ajtó előtt.
9. A csomagolóanyagokat gyerekektől elzárt helyen tárolja.
10. Ne engedje, hogy a készülékkel gyerekek játszzanak.
11. A mosogató szereket gyerekektől tartsa távol!
12. Ne engedje a gyerekeket a készülékhez közel a mosogató ciklus befejezése után, mert a készülékből gőz áramolhat ki.
13. A készülék használata közben a gyerekeket és a házi állatokat tartsa távol a készüléktől.
14. A használaton kívülre helyezett készülék esetében biztosítani kell, hogy az ajtót ne lehessen bezárni. Előfordultak már olyan balesetek, amikor gyerekek másztak a készülékbe és magukra zárták az ajtót. A használaton kívülre helyezett készülék esetében az ajtózárat tegye használhatatlanná, és a hálózati vezetékét is vágja le.
15. A készülék elektromos és vízhálózatra való bekötését bízva villany és vízszerelő szakemberre. A készüléket a felhasználás országában érvényes előírások szerint kell bekötni.

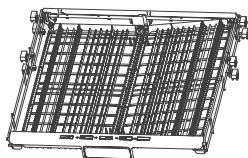
16. Idegen személyek a készüléket nem javíthatják meg, az ilyen beavatkozások a garancia megszűnését jelentik. A készülék javítását bízza márkaszervizre.
17. A javítás megkezdése előtt a hálózati vezetéket húzza ki a fali aljzatból. A készüléket a kismegszakító lekapcsolásával vagy a hálózati vezeték kihúzásával áramtalanítsa. A hálózati csatlakozódugót tilos a vezetéknél fogva kihúzni a fali aljzatból, a művelethez a csatlakozódugót fogja meg. Zárja el a vízszelepet is.
18. A készüléket háztartásokban, illetve a következő helyeken lehet használni:
 - konyhák, irodai és egyéb munkahelyi kiskonyhák;
 - mezőgazdasági üzemek;
 - szállodai és motelszobák, munkásszállások konyhái;
 - turistaszállások, és egyéb jellegű szállások.
19. A készüléket a mellékelt tömlőkészlettel csatlakoztassa a vízvezeték hálózathoz. Ne használjon régi és már használt tömlőt.
20. A használat befejezése után a hálózati csatlakozódugót húzza ki a fali aljzatból és a vízszelepet is zárja el.
21. A készülék elektromos csatlakozódugóját csak szabályszerűen leföldelt elektromos aljzathoz csatlakoztassa. Szükség esetén kérjen segítséget villanyszerelő szakembertől.
22. A készülék első használatba vétele előtt a készülékről távolítsa el az összes csomagolóanyagot és a szállítási biztosítékokat is. Ellenkező esetben a készülék meghibásodhat.
23. A mosogatógépet ne telepítse nedves és vizes helyiségekbe, illetve gyúlékony és robbanékony, vagy maró anyagok közelébe.
24. A mosogatógépre ne álljon fel és ne üljön rá.
25. A gép ajtajára ne támaszkodjon rá.
26. Az ajtót erővel becsukni tilos. Ha az ajtót nem lehet becsukni, akkor ellenőrizze le, hogy nem lóg-e ki edény a kosárból. Az edényeket rendezze át úgy, hogy ne akadályozzák az ajtó becsukását.
27. A készülékben gyúlékony, robbanékony vagy toxikus anyagokat használni tilos. A készüléket benzinnel vagy alkohollal stb. tisztítani tilos.

28. A mosogató program befejezése után az ajtót óvatosan nyissa ki.
 29. A mosogatógépből forró gőz áramolhat ki és égési sérülést okozhat.

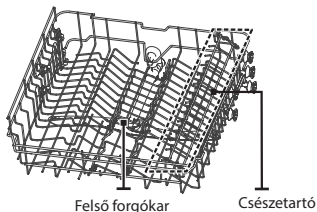
A KÉSZÜLÉK RÉSZEI



Evőeszköz fiók



Felső kosár



Alsó kosár



Megjegyzés: Az ábrák csak tájékoztató jellegűek, a kivitel típusonként eltérő lehet.

TELEPÍTÉSI UTASÍTÁS

ÁRAMÜTÉS VESZÉLYE!

A telepítés megkezdése előtt a készülék elektromos vezetékét húzza ki a fali aljzatból. A feszültség alatt lévő készülék akár halálos áramütést is okozhat.

A készülék víz- és elektromos hálózathoz való csatlakoztatását szakembernél rendelje meg.

Csatlakoztatás az elektromos hálózathoz

Szükséges tápfeszültség

A készüléket csak a típuscímkén feltüntetett tápfeszültségnek megfelelő elektromos hálózathoz szabad csatlakoztatni. A mosogatógépet önálló elektromos áramkörhöz kell csatlakoztatni, az áramkört 10/13/16 A-es kismegszakítóval és áram-védőkapcsolóval kell védeni.

Elektromos bekötés

A készüléket csak a típuscímkén feltüntetett tápfeszültségnek megfelelő elektromos hálózathoz szabad csatlakoztatni. A hálózati vezetéket csak szabályszerűen leföldelt elektromos aljzathoz szabad csatlakoztatni. Amennyiben a hálózati csatlakozódugót nem lehet az adott aljzatba dugni, akkor a csatlakozódugót olyan csatlakozódugóval kell helyettesíteni, amely megfelel az aljzatnak. Ne használjon elosztót vagy hosszabbítót a készülék tápellátásához.

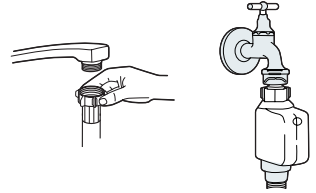
- **Az első bekapcsolás előtt villanszerelő szakemberrel mérse meg a készülék megfelelő földelését.**

A bemenő tiszta víz és a szennyvíz elvezető tömlő csatlakoztatása

A vízszelap kimenete feleljen meg a készülék tömlőjén található csatlakozónak. A vízszelap és a tömlő közé szereljen be szűrőt, amely megakadályozza, hogy a vízvezetékben található szennyeződések, homok, föld, rozsdasztb. a készülékbe kerüljenek. A szennyeződések az edények elszíneződését vagy sérülését okozhatják.

Hideg víz csatlakoztatása

A hideg víz tömlő végét csatlakoztassa a szelep 3/4 colos külső menetéhez, a rögzítő anyát jól húzza meg. Ha az adott vízvezeték ágat hosszú ideig nem használta (vagy a vízvezeték teljesen új), akkor a tömlő csatlakoztatása előtt a szelepen keresztül eresszen ki vizet egy vödörbe. Ellenkező esetben a vízvezeték ágban található szennyeződések tömődést okozhatnak.



Biztonsági bemeneti tömlő

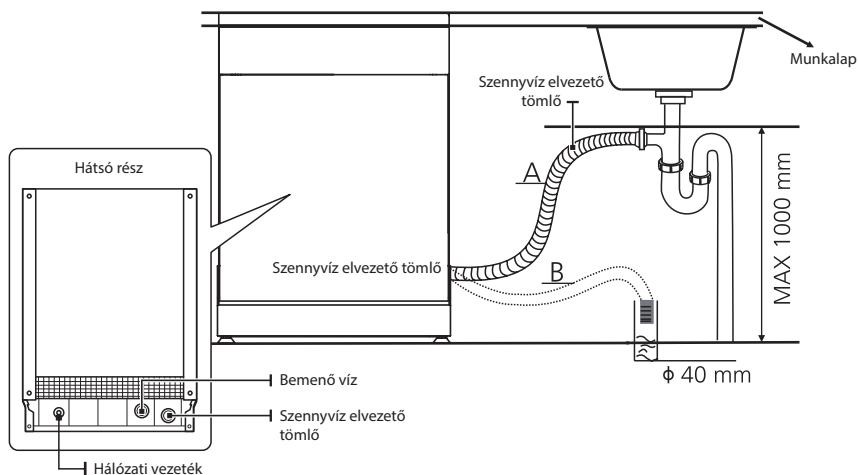
A mellékelt tömlő duplafalú. Amennyiben a tömlő elszakad vagy abban visszatérő víz jelenik meg, akkor a tömlőbe épített biztonsági szelep elzárja a mosogatógépbe áramló vizet.

A biztonsági tömlő bekötése

1. A biztonsági tömlőt vegye ki a készülék hátulján található tartókból.
2. A víztömlő végét csatlakoztassa a szelep 3/4"-os külső menetéhez, az anyát jól húzza meg.
3. A mosogatógép használatba vétele előtt a szelepet teljesen nyissa ki.

A szennyvíz elvezető tömlő csatlakoztatása

A szennyvíz elvezető tömlőt dugja egy legalább 4 cm átmérőjű padló elvezető csőbe, vagy csatlakoztassa a szifon csonkjához. A tömlő nem lehet megtörve vagy megtekeredve. A tömlő csatlakoztatási pontja nem lehet 1000 mm felett. A szennyvíz elvezető tömlő szabad végét nem szabad víz alá dugni, mert a tömlőn keresztül a víz visszaszívódhat a mosogatógépbe.



A tömlőben maradt víz kieresztése

Ha a tömlő csatlakoztatási pontja 1000 mm felett található, akkor a tömlőben víz maradhat. A tömlő csatlakoztatását bontsa meg és a tömlő végével közelítsen a padlóra helyezett edényhez. A tömlőből az edénybe folyik a víz.

Víz elvezetés

Csatlakoztassa a szennyvíz elvezető tömlőt. Ügyeljen arra, hogy a csatlakozási helyen ne legyen szivárgás (a tömlőt például tömlőbilincssel) rögzítse. A tömlő nem lehet megtörve vagy megtekeredve.

Hosszabbító tömlő

Szükség esetén a szennyvíz elvezető tömlőt meg lehet hosszabbítani (azonos típusú tömlővel). A hosszabbító tömlő nem lehet 4 m-nél hosszabb, mert a mosogatógép nem tudja kinyomni a szennyvizet.

A szennyvíz elvezető tömlő csatlakoztatása

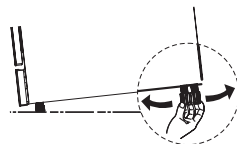
A szennyvíz elvezető tömlő nem lehet a padlótól mérve 1000 mm-nél magasabban csatlakoztatva az elfolyó rendszerhez.

A mosogatógép elhelyezése

A mosogatógépet a tervezett helyre állítsa fel. A mosogatógép hátfala nézzen a fal felé, az oldala szekrények vagy fal felé. A mosogatógép víz bevezető és víz elvezető tömlője a készülék bal vagy jobb oldalán is beköthető.

A mosogatógép beállítása

A mosogatógépet az állítható magasságú lábakkal kell vízszintes helyzetbe állítani. A mosogatógép beállítása legfeljebb 2°-kal térhet el a vízszintestől.

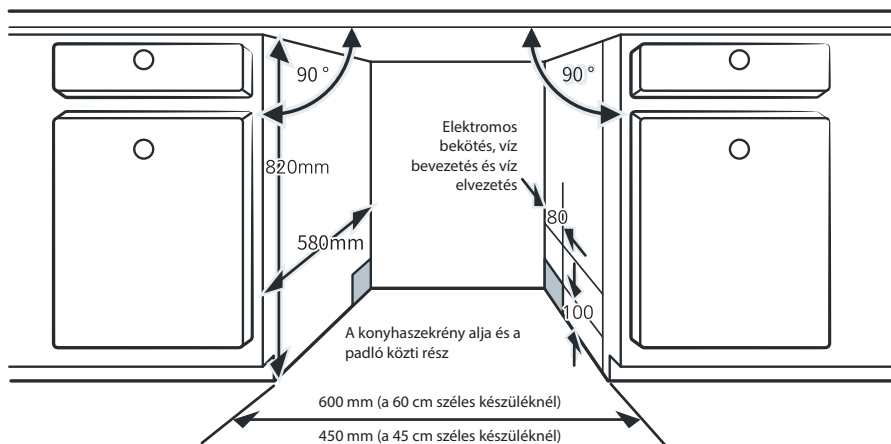


Beépítés konyhaszekrénybe

A mosogatógép ideális elhelyezése

A mosogatógépet egy vízszelvény és egy vízvezető (pl. szifon) közelébe kell telepíteni. A szekrénybe való beépítéshez szükséges méreteket az alábbi ábra tartalmazza.

1. A méretek betartása esetén a mosogatógép felső lapja és a munkalap alatt 5 mm-es hézag lesz, illetve a mosogatógép ajtaja a szekrény ajtajaival lesz egy síkban.



2. Ha a mosogatógépet sarokban helyezi el, akkor biztosítani kell az ajtónyitáshoz szükséges szabad helyet.

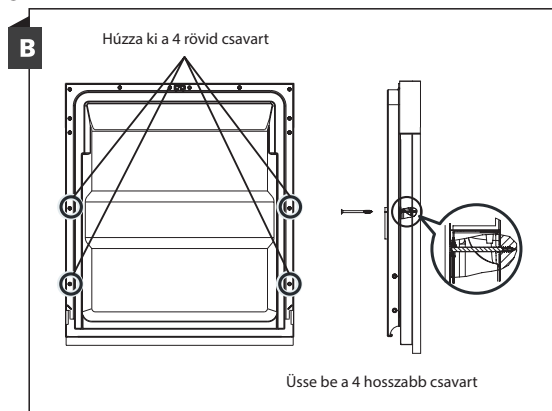
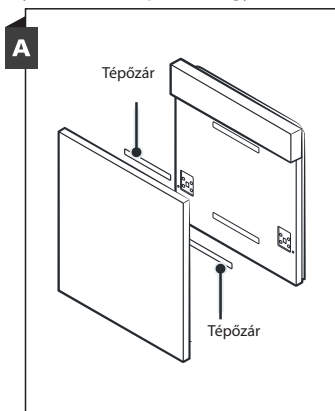
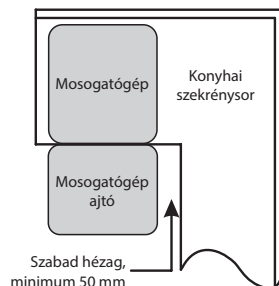
Az elektromos aljzat elhelyezésétől függően esetleg lyukat kell vágni a szekrény falába.

A dekoratív panel méretei és szerelése

A dekoratív panel szerelését a következők (és a konkrét típus) szerint hajtsa végre.

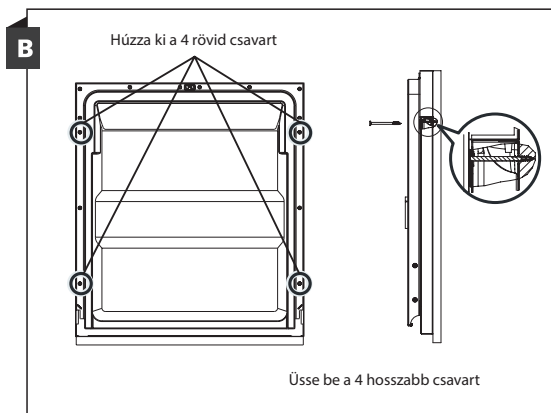
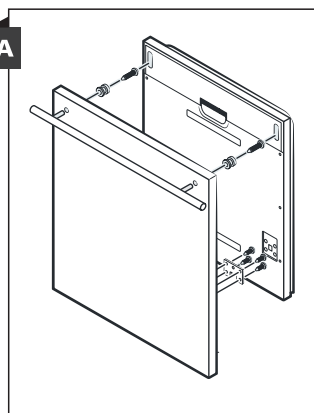
Félig beépített típus

A tépőzárat szedje szét A és B részre, majd az A részt rögzítse a dekoratív panel belső felére. A B részt rögzítse a mosogatógép ajtajának a külső részére (lásd az A. ábrát). A panel felhelyezése után a panelt négy csavarral rögzítse (lásd a B. ábrát).



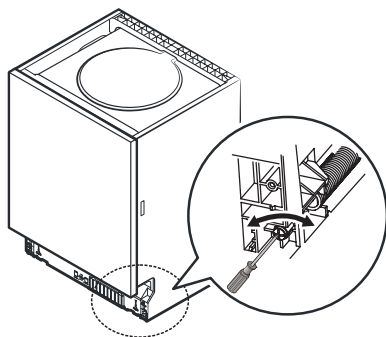
Teljesen beépített típus

A dekoratív panelre szerelje fel az akasztókat és tegye az ajtó nyílásaiba (A. ábra). A panel felhelyezése után a panelt négy csavarral rögzítse (lásd a B. ábrát).



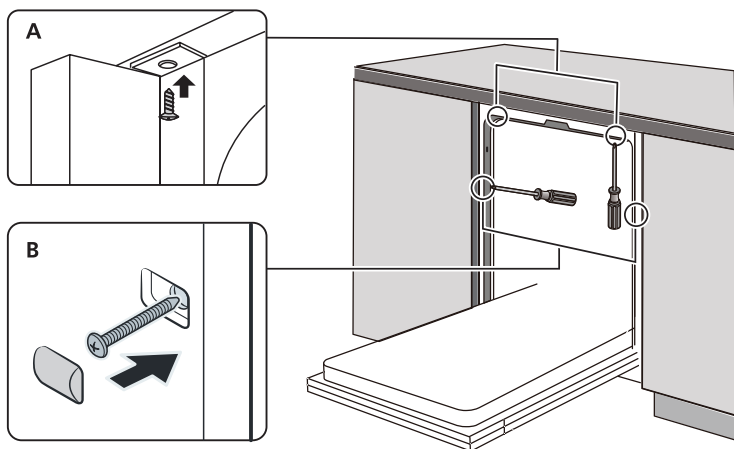
Ajtórugó erő beállítása

1. Az ajtórugót a gyártás közben a mosogatógép ajtóhoz állítottuk be. Dekoratív panel felszerelése esetén a rugóerőt is be kell állítani. Az állítócsavar forgatásával lazítsa meg vagy húzza meg az acéldrótot.
2. A rugóerő akkor van helyesen beállítva, ha a kinyitott ajtó vízszintes helyzetben marad, de egy újjal be lehet csukni az ajtót.



A mosogatógép telepítése

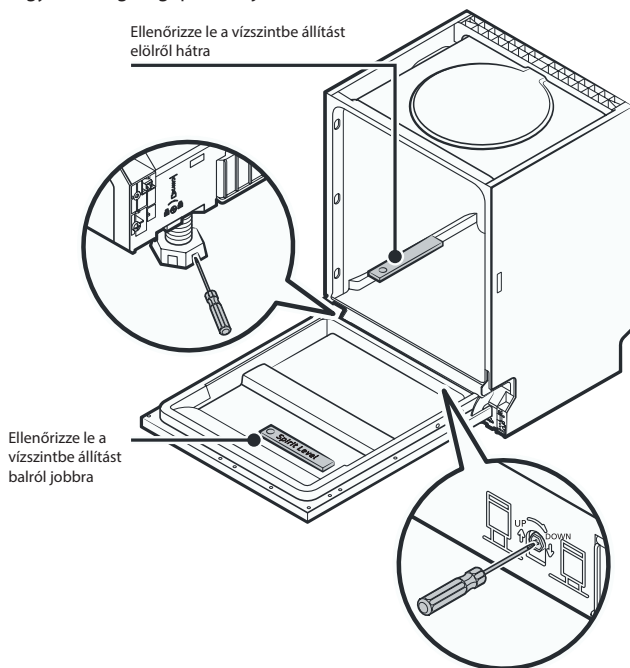
1. A munkalap alá szerelje be a kondenzációs lécet. A kondenzációs léc legyen egy vonalban a munkalap szélével.
2. A víztömlőt csatlakoztassa a szelephez.
3. Csatlakoztassa a leeresztő tömlőt.
4. A csatlakozódugót dugja a fali aljzatba.
5. A mosogatógépet tegye a munkalap alá.
6. A mosogatógépet állítsa vízszintes helyzetbe. A hátsó lábakat a mosogatógép alján középen található csavar forgatásával lehet beállítani. A csavar forgatásához keresztcsavarhúzót kell használni. Az első lábakat lapos csavarhúzóval lehet beállítani. A lábakat addig forgassa, amíg a mosogatógép nem lesz vízszintes helyzetben.
7. A bútor ajtólapot szerelje fel a mosogatógép ajtajára.
8. Állítsa be az ajtó rugót keresztcsavarhúzó segítségével (az óramutató járásával azonos irányba forgatva). A fenti lépések elhanyagolása a mosogatógép meghibásodását okozhatja.
9. A mosogatógépet a telepítés helyén rögzíteni kell. Ezt kétféle módon lehet végrehajtani:
 - A. Normál munkalap: Az akasztót tegye az oldalsó horonyba és csavarral rögzítse a munkalap aljához.
 - B. Márvány vagy gránit munkalap: Az oldalfalat csavarral rögzítse.



A mosogatógép vízszintbe állítása

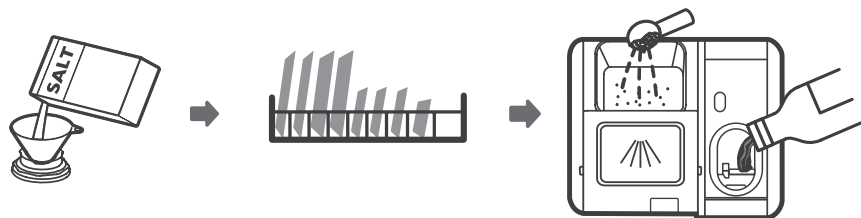
A mosogatógépet a megfelelő működéshez vízszintes helyzetbe kell állítani.

1. A vízmértéket tegye az ábra szerint az ajtóra és a belső sínre.
2. A mosogatógépet három lábbal állítsa be vízszintes helyzetbe.
3. Ügyeljen arra, hogy a mosogatógép ne dőljön el.



A lábakkal maximum 50 mm-es magasság állítható be.

A MOSOGATÓGÉP HASZNÁLATA



1. Adagoljon sót a vízlágyítóba, állítsa be a vízkeménységet és adagoljon fényesítő szert is.
2. Az előkészített edényeket tegye a mosogatógép kosaraiba.
3. Öntsön az adagolóba mosogatószert.
4. Állítsa be a kívánt mosogatósi programot.

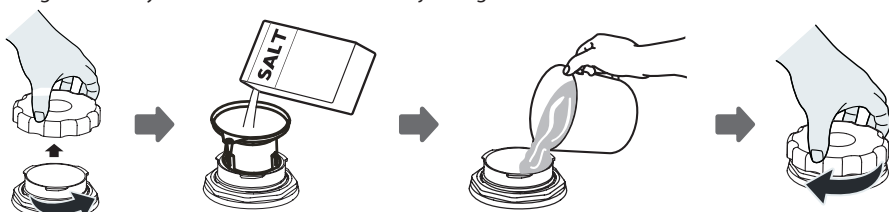
A VÍZLÁGYÍTÓ SÓ ADAGOLÁSA, A VÍZKEMÉNYSÉG BEÁLLÍTÁSA ÉS A FÉNYESÍTŐSZER ADAGOLÁSA

A készülékbe csak mosogatógépben használható vízlágyító sót adagoljon. A sótároló tartály az alsó kosár alatt található.

Figyelmeztetés!

- A tartályba kizárólag csak mosogatógépben használható sót szabad betölteni! Más típusú só, például konyhasót nem szabad a készülékbe tölteni, mert a vízlágyító meghibásodhat. Amennyiben a készülék a nem megfelelő só betöltése miatt hibásodik meg, akkor erre a garancia nem vonatkozik.
- A sót a mosogatósi ciklus indítása előtt kell betölteni. A készülék aljára véletlenül kihulló sókristályok a mosogatósi ciklus közben feloldódnak és eltávoznak a készülékből. Ha a sókristály hosszabb ideig a fenéken marad, akkor korróziót okozhat.

A só adagolás szabályozását a következő módon hajtja végre.



1. Vegye ki az aló kosarat és csavarozza le a tartály fedelét.
2. A sótartályba dugja be a készülékhez mellékelte tölcserít, majd a tölcseribe töltsön bele kb. 1,5 kg sót.
3. Töltsön vizet is tartályba. A tartályból kisebb mennyiségű víz folyik ki.
4. A megtöltés után a fedelet csavarozza vissza.
5. A tartály megtöltése után a só kijelző elalszik.
6. A sótartály megtöltés után indítson el valamilyen mosogatóprogramot (javasoljuk a gyorsmosogatót). Ha ezt nem teszi meg, akkor a koncentrált sóoldat meghibásodást okozhat a szűrőrendszerben, a szivattyúban vagy a gép más részében. Az ilyen esetekre a garancia nem vonatkozik.

Megjegyzés:

- Amikor a só utántöltésére figyelmeztető kijelző (☞) a működtető panelen bekapcsol, akkor sót kell a tartályba tölteni. Amíg a betöltött só teljesen fel nem oldódik, a só utántöltésére figyelmeztető kijelző világítani fog. Ha a működtető panelen nincs só kijelző, akkor a mosogatósi ciklusok száma alapján becsülje meg, hogy mikor kell ismételtén sót adagolni a készülékbe.
- Ha a só kiszóródott a készülék aljára, akkor indítson el egy öblögető programot a só eltávolításához.


Vízlágyító

A vízlágyítót a vízkeménység beállító elforgatásával (kézzel) állítsa be. A vízlágyító eltávolítja az ivóvízből az ásványi anyagokat és sókat, amelyek kedvezőtlenül befolyásolnák a mosogatógép működését. Minél több ásványi anyag van az ivóvízben, annál keményebb a víz. A vízlágyítót a vízkeménység szerint lehet beállítani. Az ivóvíz keménységéről a vízszolgáltató vállalatától kérjen információt.

A só adagolás beállítása

A mosogatógépen beállítható a só adagolás mértéke (az ivóvíz keménységétől függően). A só adagolás így optimalizálható és szabályozható.

A só adagolás szabályozását a következő módon hajtsa végre.

1. Csukja be az ajtót és kapcsolja be a készüléket.
2. A készülék bekapcsolása után, 60 másodpercen belül nyomja meg 5 másodpercig a **Gyors mosogatás** gombot, amivel belép a vízlágyító beállítás üzemmódba.
3. A **Gyors mosogatás** gomb nyomogatásával válasszon az alábbi beállítások közül: H1 -> H2 -> H3 -> H4 -> H5 -> H6.
4. A beállítás módból a  gomb megnyomásával tud kilépni.

VÍZKEMÉNYSÉG FOKOZATOK				Beállítás	Sófogyasztás
Német (dH)	Francia (fH)	Brit (Clarke)	Mmol/l		
0 - 5	0 - 9	0 - 6	0 - 0,94	H1	0
6 - 11	10 - 20	7 - 14	1,0 - 2,0	H2	9
12 - 17	21 - 30	15 - 21	2,1 - 3,0	H3	12
18 - 22	31 - 40	22 - 28	3,1 - 4,0	H4	20
23 - 34	41 - 60	29 - 42	4,1 - 6,0	H5	30
35 - 55	61 - 98	43 - 69	6,1 - 9,8	H6	60

1°dH = 1,25°Clarke = 1,78°fH = 0,178 mmol/l

Gyári alapbeállítás: H3


Fényesítő szer betöltése az adagolóba

A fényesítő szert a készülék az öblítés végén adagolja. A fényesítő szer megakadályozza, hogy az edényen a vízcepppek foltokat és csíkokat hagyjanak. A szer meggyorsítja a szárítást, és elősegíti a víz lecsepegését az edényekről. A mosogatógépbe folyékony fényesítő szert kell betölteni.

A készülékbe kizárólag csak minőségi fényesítő szereket töltsön. Az adagolóba más szereket tölteni tilos (pl. mosogatógép tisztító, folyékony mosogatószer stb.). Ezek a mosogatógép meghibásodását és sérülését okozhatják.

Fényesítő szer adagoló beállítása

A szárítás hatékonysága és a fényesítő szer felhasználás korlátozása érdekében a készüléken igény szerint állítható be a fényesítő szer adagolása. A következő lépések szerint járjon el.

1. Csukja be az ajtót és kapcsolja be a készüléket.
2. Az 1. lépés végrehajtása után, 60 másodpercen belül 5 másodpercig tartsa benyomva a **P** programgombot, majd nyomja meg a késleltetett indítás gombot (2), ezzel belép a beállítás üzemmódba.
3. A **P** programgomb nyomogatásával válasszon az alábbi lehetőségek közül: D1 -> D2 -> D3 -> D4 -> D5 -> D1. A magasabb számhoz nagyobb fényesítő szer felhasználás tartozik.
4. A  gomb megnyomásával kilép a beállításokból. A beállítás 5 másodpercen belül mentődik el.

Mikor kell fényesítő szert adagolni?

A fényesítő szer utántöltése függ a mosogatások gyakoriságától és az adagolás beállításától.

- Ha a készülékben már kifogyóban van a fényesítő szer, akkor bekapcsol a kijelző (☼).
- A fényesítő szer tartályt ne töltse túl.

A KOSARAK TÖLTÉSE EDÉNYEKKEL

- Olyan edényeket és konyhaeszközöket vásároljon, amelyek elmoshatók a mosogatógépben.
- Bizonyos edényeket csak alacsony hőmérsékleten lehet mosogatni.
- A mosogatás befejezése után a késeket és üvegeket minél előbb szedje ki. Ezzel megelőzheti ezek sérülését.

Az alábbi edényeket és eszközöket nem lehet mosogatógépben mosogatni:

- Fa, porcelán, csont vagy gyöngyház díszítésű fogantyúval ellátott eszközök.
- Nem hőálló műanyag edények.
- Ragasztott és nem hőálló elemekből készült evőeszközök.
- Cink és réz edények, eszközök.
- Kristályüveg.
- Rozsdásodó acél eszközök.
- Fatányérok.
- Szintetikus anyagokból készült tárgyak.
- Bizonyos üvegfajták, amelyek elvesztik a színüket a mosogatás után.
- Ezüst és alumínium tárgyak, amelyek elvesztik a színüket.
- Glazúr felületek és mintázatok, amelyek egy idő után kifehéredhetnek.

A mosogatógép ajánlott töltése

Az edényekről távolítsa el az élelmiszer maradványokat. A lerakódott, rászáradt vagy ráégett szennyeződések előbb áztatással lazítsa fel. Az edényeket nem kell előzőleg meleg víz alatt beáztatni.

A mosogatás jobb minőségű lesz, ha betartja a következőket. **A kosarak és az evőeszköz fiók funkciói és kivitelei eltérhetnek az itt látható ábráktól (típusfüggő).**

Az edényeket a következő módon tegye be.

- A csészéket, poharakat, kisebb edényeket stb. fenékkal felfelé tegye be.
- A homorú, domború vagy más alakú edényeket úgy kell behelyezni, hogy azokból a víz ki tudjon folyni.
- Az edényeket úgy helyezze be, hogy ne tudjanak átfordulni.
- Az edények nem akadályozhatják a forgókarok szabad mozgását.
- Az edényeket stb. mindig fenékkal felfelé kell behelyezni, hogy azokból a víz ki tudjon folyni.
- Az edényeket és evőeszközöket ne rakja egymásra, azok ne érjenek egymáshoz. Az üvegpoharak ne érjenek egymáshoz, az apró ütődések az üveg kipattanását vagy repedését okozhatják.
- A felső kosár a kisebb és érzékenyebb edények mosogatását szolgálja (pl. poharak, csészék stb.).
- A hosszú pengéjű és függőlegesen behelyezett kések potenciális veszélyt jelentenek.
- A nagyobb késeket és más hasonló eszközöket a felső kosárban lehet elhelyezni, de csak vízszintes helyzetben.
- A mosogatógépet ne terhelje túl. Csak így lehet jó minőségben mosogatni a készülékkel.

FIGYELMEZTETÉS! AZ EDÉNYEK A MOSOGATÁS UTÁN FORRÓK!

Az edényeket és konyhai eszközöket a mosogatás befejezését követően 15 percig ne szedje ki, ellenkező esetben égési sérülés is szenvedhet.

Megjegyzés: Túl kicsi edényeket ne tegyen a kosarakba, mert azok a lyukakon keresztül kieshetnek.

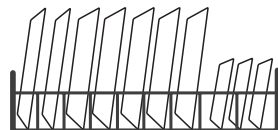
A felső kosár töltése

A felső kosárba kell tenni a kisebb edényeket, csészéket, poharakat, kistányérokat, desszertes tányérokat stb. (amennyiben nem túlságosan szennyezettek). Az edényeket úgy tegye be, hogy azok a vízszög hatására ne tudjanak átfordulni



Az alsó kosár töltése

A nagyobb és nehezebb edényeket (pl. tányérokat, lábasokat, fazekakat, serpenyőket stb.) az alsó kosárba kell berakni (lásd az ábrát). A nagyobb tányérokat és fedőket a kosár oldalára tegye be, hogy ne akadályozzák a felső



forgókar forgását. A tisztítószer adagoló elé ne tegyen 19 cm-nél nagyobb átmérőjű edényt, ellenkező esetben a kis ajtó nem nyílik ki teljesen.

Evőeszköz fiók

Az evőeszközöket a fiókban kialakított tartókba helyezze el. Az evőeszközöket ne rakja túl közel egymáshoz.

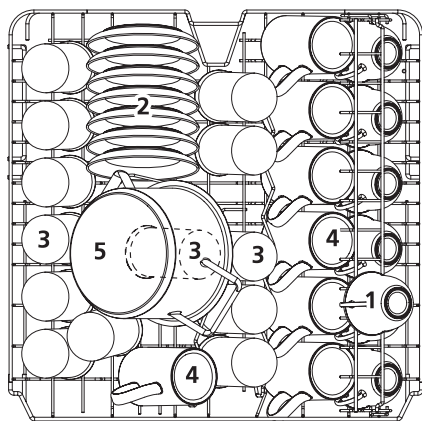
VESZÉLY!

Ügyeljen arra, hogy a kosár aljából ne lógjon ki (lefelé) semmilyen tárgy sem. Az éles eszközöket mindig az élükkel lefelé helyezze be.

A kosarak töltése az EN60436 szabvány szerint

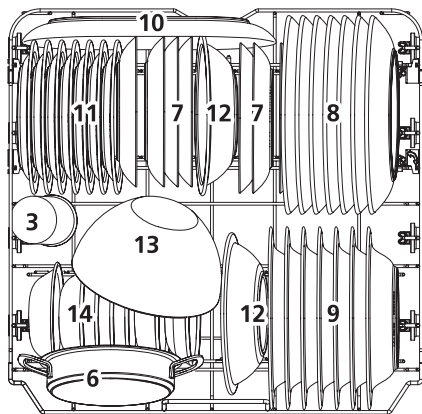
A mosogatógép teljes kihasználásával energiát és vizet takaríthat meg.

Felső kosár



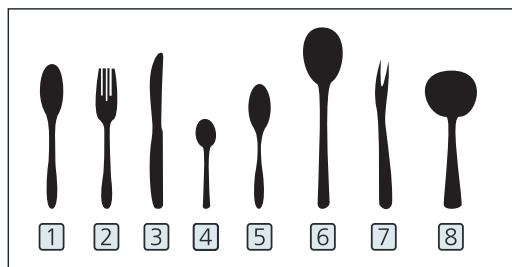
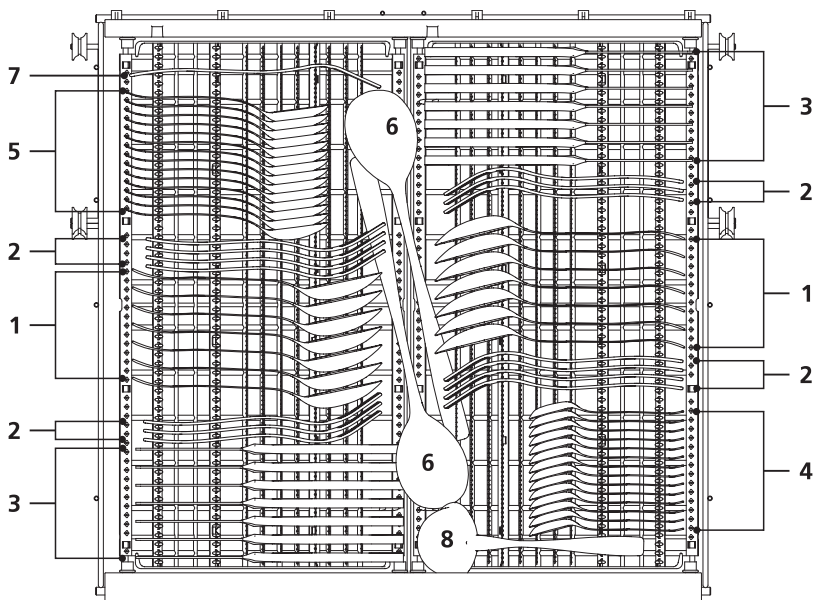
1. Csészék
2. Kistányérok
3. Poharak
4. Csészék
5. Kis edények

Alsó kosár



6. Sütőedény
7. Desszertes tányér
8. Lapos tányér
9. Mélytányér
10. Ovális tányér
11. Melamin desszertes tányér
12. Melamin edény
13. Üveg edény
14. Desszertes tányérok

Evőeszköz fiók



1. Evőkanál
2. Villa
3. Kés
4. Teáskanál
5. Desszertes kanál
6. Kiszedő kanál
7. Felsőszolgáló villa
8. Merítőkanál

Összehasonlíthatósági információk

Tesztelve az EN60436 szabvány szerint

Kapacitás: 14 teríték mosogatásához

Felső kosár helyzete: alsó szint

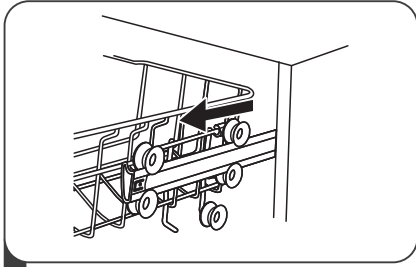
Program: ÖKO

Fényesítőszer beállítás: Max.

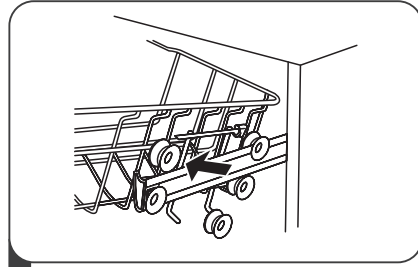
Vízlágyító beállítás: H3

Felső kosár magasságának a beállítása

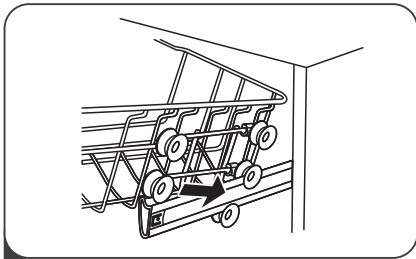
A felső kosár helyzete (magassága) beállítható, így több helyet lehet létrehozni az alsó vagy a felső kosárban. A felső kosár magasságának a beállítását a következő módon hajtsa végre.

1. változat:

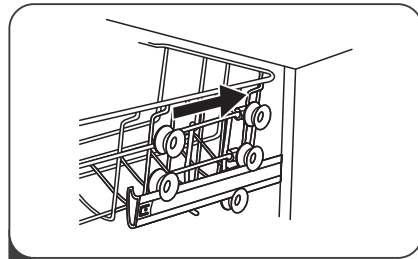
1 Húzza ki a felső kosarat a gépből.



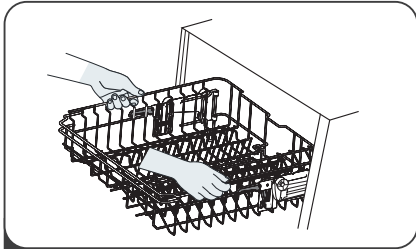
2 Emelje ki a felső kosarat.



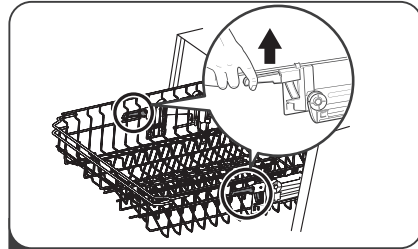
3 Az alsó vagy felső keréksorra helyezze tegye vissza a kosarat.



4 Tolja vissza a gépbe a felső kosarat.

2. változat:

1 A felső kosár megemeléséhez emelje meg a kosarat a két oldalán, amíg a kosár nem rögzül a felső helyzetben. Nem kell megemelni a beállító fogantyút.



2 A felső kosár leengedéséhez a beállító fogantyút két oldalon húzza fel, a kosár meglazulása után a kosarat engedje le alsó helyzetbe.

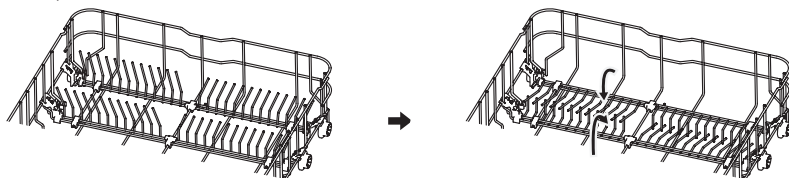
Pohártartó beállítása

Ha a felső kosárban magasabb tárgyakat kíván behelyezni, akkor hajtsa fel a pohártartót. A pohártartóval meg lehet támasztani a magasabb tárgyakat.

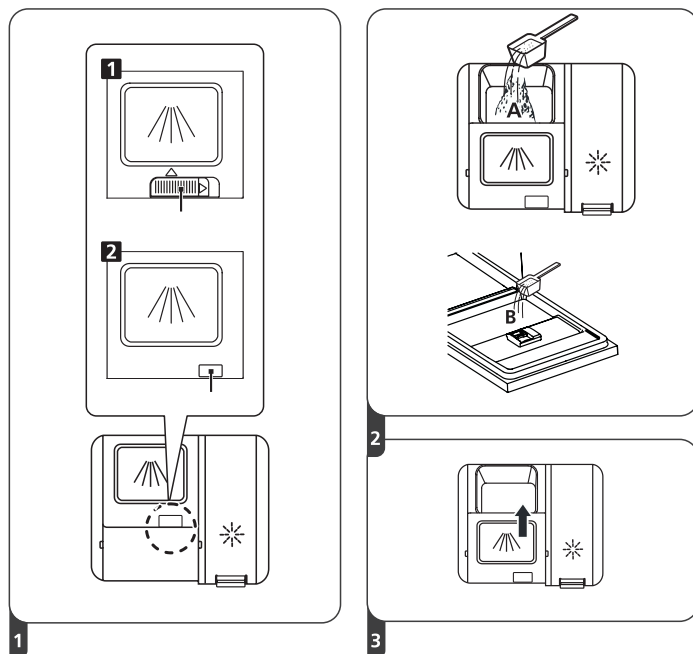


Tányértartók lehajtása

Az alsó kosárban tartók segítik a tányérok elrendezését. A tányértartók lehajtása után nagyobb edényeket (pl. tepsit) is be lehet helyezni.



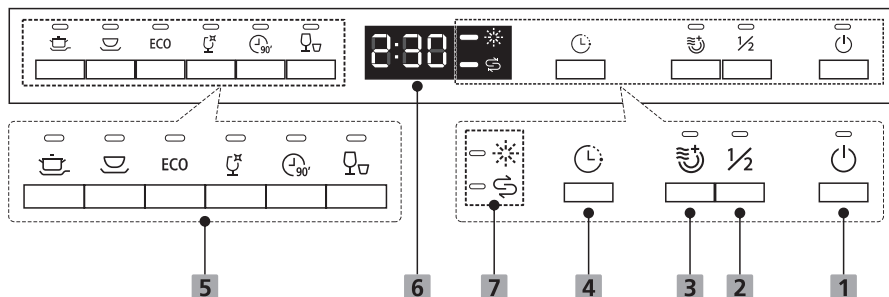
MOSOGATÓSZER (TABLETTA) ADAGOLÁSA



1. A fedelet a konkrét típus szerint kell kinyitni.
 - Húzza el a reteszt (1).
 - Nyomja meg a gombot (2).
2. A fő mosogatóhoz adagoljon tisztítószeret a nagyobb nyílásba (A). Ha erősen szennyezett edényeket kíván mosogatni, akkor növelje a tisztítószer mennyiségét (az ajtóra adagolva). A többlet tisztítószer a készülék az előmosogatóhoz fogja felhasználni.
3. A fedelet zárja vissza.

Megjegyzés: Olvassa el a mosogatószer gyártójának az ajánlásait a mosogatószer csomagolásán.

MŰKÖDTETŐ PROGRAM ÉS PROGRAMVÁLASZTÁS (EDI 100363)



1 Tápellátás

A készülék bekapcsolásához nyomja meg a gombot, a kijelző bekapcsol.

2 Fél töltet

Ha a mosogatógépet csak félig töltötte meg, akkor ezzel a funkcióval vizet és energiát lehet megtakarítani (nem használható a gyors mosogatás programnál).

3 Extra szárítás

Jobb hatékonyságú szárítás (csak az intenzív, univerzális ÖKO, üveg és 90 perc programoknál használható). A gomb megnyomása után bekapcsol a funkció jele.

4 Késleltetett indítás

A gomb megnyomása után állítsa be a késleltetett indítás idejét. A mosogatás indítását akár 24 órával is késleltetni lehet. Gombnyomásonként egy órával lehet meghosszabbítani a késleltetett indítás idejét.

5 Program kijelző

Mutatja a kiválasztott programot (lásd a lenti táblázatot).

6 Képernyő

Mutatja a programból még hátramaradt időt, a késleltetett indítás idejét és a hibakódot stb.

7 Figyelmeztető kijelzők



Fényesítő szer

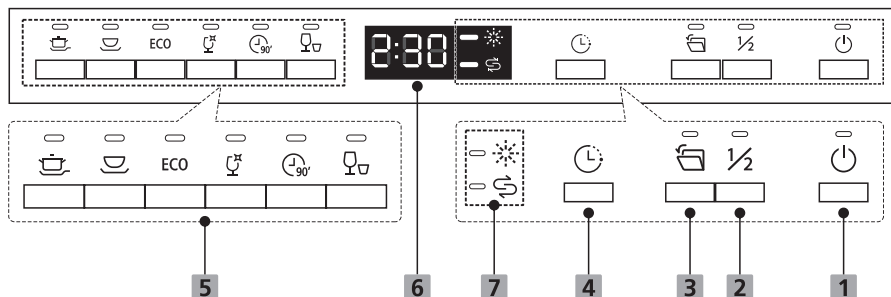
Ha ez a kijelző világít, akkor a készülékből már majdnem kifogyott a fényesítőszer. Töltsön be fényesítőszeret.



Só

Ha ez a kijelző világít, akkor a készülékből már majdnem kifogyott a lágyító só. Töltsön be sót.

MŰKÖDTETŐ PROGRAM ÉS PROGRAMVÁLASZTÁS (EDI 300163)



1 Tápellátás

A készülék bekapcsolásához nyomja meg a gombot, a kijelző bekapcsol.

2 Fél töltet

Ha a mosogatógépet csak félig töltötte meg, akkor ezzel a funkcióval vizet és energiát lehet megtakarítani (nem használható a gyors mosogatás programnál).

3 Automatikus ajtónyitás

A mosási folyamat befejeztével az ajtó automatikusan kinyílik, hogy jobb szárítási hatást érjen el. Csak az Intenzív, Univerzális, ECO, Üveg, 90 perc.

4 Késleltetett indítás

A gomb megnyomása után állítsa be a késleltetett indítás idejét. A mosogatás indítását akár 24 órával is késleltetni lehet. Gombnyomásonként egy órával lehet meghosszabbítani a késleltetett indítás idejét.

5 Program kijelző

Mutatja a kiválasztott programot (lásd a lenti táblázatot).

6 Képernyő

Mutatja a programból még hátramaradt időt, a késleltetett indítás idejét és a hibakódot stb.

7 Figyelmeztető kijelzők



Fényesítő szer

Ha ez a kijelző világít, akkor a készülékből már majdnem kifogyott a fényesítőszer. Töltsön be fényesítőszeret.






Só



Ha ez a kijelző világít, akkor a készülékből már majdnem kifogyott a lágyító só. Töltsön be sót.




Mosogató program táblázat (EDI 100363)

Program	Program leírása	Megfelelő edények	Mosogatószer mennyiség (előmosás / mosogatás)	Idő (perc)	Energia (kWh)	Vízfogyasztás (l)	Fényesítő szer
Intenzív	Előmosás (50°C) Mosogatás (65°C) Öblítés Öblítés Öblítés (65°C) Szárítás	Erősen szennyezett edények, serpenyők (részarádrt ételmaradványokkal)	4/18 g 1 vagy 2 tabletta	205	1,621	17,8	igen
Univerzális	Előmosás (45°C) Mosogatás (55°C) Öblítés Öblítés (65°C) Szárítás	Normál szennyezettségű edények, lábasok, tányérok, poharak, serpenyők mosogatásához.	4/18 g 1 vagy 2 tabletta	175	1,302	14,3	igen

Program	Program leírása	Megfelelő edények	Mosogatószer mennyiség (előmosás / mosogatás)	Idő (perc)	Energia (kWh)	Vízfogyasztás (l)	Fényesítő szer
ECO *EN60436	Mosogatás (45 °C) Öblítés Öblítés (60°C) Szárítás	Standard program normál szennyezettségű edények, lábasok, tányérok, poharak, serpenyők mosogatásához.	4/18 g 1 vagy 2 tableta	220	0,951	11,0	igen
 Üveg	Előmosogatás Mosogatás (50 °C) Öblítés Öblítés (65°C) Szárítás	Enyhén szennyezett edények és üvegek mosogatásához.	4/18 g 1 tableta	120	1,100	14,3	igen
 90 perc	Mosogatás (60 °C) Öblítés Öblítés (65°C) Szárítás	Normál szennyezettségű edényekhez és gyorsabb mosogatáshoz.	22 g 1 tableta	90	1,350	11,7	igen
 Gyors mosogatás	Mosogatás (50 °C) Öblítés Öblítés (45°C)	Szárítást nem igénylő, kissé szennyezett edények rövid mosogatásához.	20 g 1 tableta	30	0,751	11,2	Nem

Mosogató program táblázat (EDI 300163)

Program	Program leírása	Megfelelő edények	Mosogatószer mennyiség (előmosás / mosogatás)	Idő (perc)	Energia (kWh)	Vízfogyasztás (l)	Fényesítő szer
 Intenzív	Előmosás (50°C) Mosogatás (65°C) Öblítés Öblítés (60°C) Szárítás	Erősen szennyezett edények, serpenyők (rászáralt ételmaradványokkal)	4/18 g 1/2 tableta	205	1,651	18,7	igen
 Univerzális	Előmosás (45°C) Mosogatás (55°C) Öblítés Öblítés (60°C) Szárítás	Normál szennyezettségű edények, lábasok, tányérok, poharak, serpenyők mosogatásához.	4/18 g 1/2 tableta	175	1,451	18,7	igen

Program	Program leírása	Megfelelő edények	Mosogatószer mennyiség (előmosás / mosogatás)	Idő (perc)	Energia (kWh)	Vízfogyasztás (l)	Fényesítő szer
ECO *EN60436	Mosogatás (50°C) Öblítés Öblítés (50°C) Szárítás	Standard program normál szennyezettségű edények, lábasok, tányérok, poharak, serpenyők mosogatásához.	22 g 1/2 tableta	198	0,849	11,0	igen
 Üveg	Előmosogatás (40°C) Mosogatás (50°C) Öblítés Öblítés (50°C) Szárítás	Enyhén szennyezett edények és üvegek mosogatásához.	4/18 g 1/2 tableta	120	0,902	15,2	igen
 90 perc	Mosogatás (55°C) Öblítés Öblítés (50°C) Szárítás	Normál szennyezettségű edényekhez és gyorsabb mosogatáshoz.	22 g 1/2 tableta	90	0,891	11,5	igen
 Gyors mosogatás	Mosogatás (40°C) Öblítés (40°C) Öblítés (55°C)	Szárítást nem igénylő, kissé szennyezett edények rövid mosogatásához.	12 g 1 tableta	30	0,781	11,0	Nem

* Az öko program a leghatékonyabb mosogatóprogram (ami a kombinált energia- és vízfelhasználást illeti). Ezt a programot kell figyelembe venni az európai környezetbarát tervezés szerinti jogi előírások alapján történő kiértékeléshez.

Energiatakarékos üzemmód

- Az előzetes öblítés növeli a víz- és energiafogyasztást (nem javasoljuk a használatát).
- Ha a mosogatógépet a használati útmutató szerint használják, akkor a gépi mosogatáshoz kevesebb víz és energia szükséges, mint a kézi mosogatáshoz.

A program indítása

1. A kosarakba rakja be az edényeket, a kosarakat tolja a készülékbe. Először az alsó, majd a felső kosarat töltsze meg.
2. Adagoljon mosogatószert.
3. Csatlakoztassa a hálózati csatlakozódugót a fali aljzathoz. A tápellátáshoz kapcsolódó információkat lásd a típuscímkén. A vízszelvet teljesen nyissa ki.
4. Csukja be az ajtót és kapcsolja be a gépet.
5. Válassza ki a kívánt mosogatóprogramot, bekapcsol a program jele. Csukja be az ajtót, a mosogatógép megkezdí a mosogatást.

A program megváltoztatása mosogatás közben

A programot csak közvetlenül a program indítása után lehet megváltoztatni, mert ha az első program már elhasználta a mosogatószert, akkor a második programhoz már nem lesz mosogatószer. Ilyen esetben a

mosogatógépet le kell kapcsolni és mosogatószert kell betölteni. A mosogatógép újraindítását az alábbiak szerint hajtsa végre:

1. Az ajtó kinyitásával leáll a futó program.
2. A program gombot három másodpercig nyomja be, a készülék átkapcsol programválasztás módba.
3. Megváltoztathatja a mosogató programot.

KARBANTARTÁS ÉS TISZTÍTÁS

A készülék külső része

Ajtó és ajtótomítás

Az ajtótomításról rendszeresen távolítsa el a lerakódásokat, az ajtótomítást puha ruhával törölje meg. A mosogatógép töltése közben ételmaradványok csepeghetnek az ajtóra, az ajtó szélére. Ezeket a felületeket a mosogatás közben nem éri víz. Az ajtó becsukása előtt az ajtó szélét is törölje meg.

Működtető panel

A működtető panelt csak puha és száraz ruhával törölje meg.

VESZÉLY!

A tisztításhoz ne használjon sprayt, a permet az ajtó nyílásain keresztül a zárba vagy az elektronikába kerülhet. A készülék külső felületét karcoló tisztítószerekkel és acélzivaccsal tisztítani tilos, ezek maradandó sérüléseket okozhatnak. Csak puha konyhai papírt használjon, ne karcolja meg a felületeket.

A készülék belső része

Szűrőrendszer

A készülék alján található szűrő felfogja a durva szennyeződések vagy idegen tárgyakat, cserepeket, szilánkokat stb. A durva szennyeződések felhalmozódása eltömíti a szűrőt. Rendszeresen ellenőrizze le a szűrőt, távolítsa el az idegen anyagokat és tárgyakat. Szükség esetén használjon vizet is a szűrő tisztításhoz. A szűrőt a következő módon tisztítsa.

1. Fogja meg a durva szűrőt és az óramutató járásával ellenkező irányba forgassa el. Emelje meg és vegye ki a szűrőt a mosogatógépből.
2. A finom szűrőt húzza ki a szűrőegységből. A durva szűrőt a reteszek benyomásával lehet kilazítani a szűrőegységből.
3. A szűrőket folyóvíz alatt tisztítsa meg. A tisztításhoz használhat puha keféet vagy ecsetet.
4. A szűrőegységet a szétszereléssel ellentétes sorrendben szerelje össze és tegye vissza a mosogatógépbe, majd az óramutató járásával azonos irányba elforgatva rögzítse.

VESZÉLY!

- A szűrőt ne húzza meg nagy erővel. A szűrőegységet szabályszerűen szerelje össze, ellenkező esetben a mosogatógép belső rendszerébe szennyeződés juthat.
- A mosogatógépet ne használja szűrőegység nélkül. A rosszul beszerelt szűrő csökkenti a készülék teljesítményét, és sérülést okozhat a készülékben és az edényekben is.

Forgókar

A forgókarokat is rendszeresen kell tisztítani, mert a mosogatószer valamint a vízkő lerakódások eltömíthetik a fúvókákat és hatással lehetnek a csapágyazás működésére is.

A mosogatógép forgókarjainak a tisztítását az alábbiak szerint hajtsa végre:

1. A felső kar leszereléséhez fogja meg a középső anyát és a kart az óramutató járásával ellenkező irányba forgassa el.
2. Az alsó kar kiszereeléséhez a kart húzza felfelé.
3. A forgókarokat mosogatószeres meleg vízben mosogassa el, a fúvókák tisztításához használjon puha keféet.

HIBAEELHÁRÍTÁS

Mielőtt a szervizhez fordulna

Előfordulhat, hogy a hiba elhárításához segítséget talál az alábbi táblázatban is.

Probléma	Lehetséges ok	Teendő
A mosogatógép nem kapcsol be	A biztosító kiolvadt vagy a kismegszakító lekapcsolt.	Cserélje ki a biztosítót vagy kapcsolja be a kismegszakítót. A mosogatógép áramköréhez ne csatlakoztasson más elektromos készüléket.
	A készülék nincs bekapcsolva.	Ellenőrizze le a bekapcsolást, az ajtó becsukását. Ellenőrizze le, hogy a csatlakozódugó be van-e dugva a fali aljzatba.
	A víz nyomása alacsony.	Ellenőrizze le a vízszelep kinyitását.
	Rosszul van bezárva az ajtó.	Ellenőrizze le az ajtó megfelelő becsukását.
A mosogatógépből nem folyik ki a víz.	A tömlő eltömődött, megtörött vagy megtekeredett.	Ellenőrizze le a tömlőt.
	A szűrő el van tömődve.	Ellenőrizze le a szűrőrendszert.
	A szennyvíz elvezető cső eltömődött.	Tisztítsa ki a szennyvíz elvezető csövet. Ha nem tudja megtisztítani a csövet, akkor forduljon vízvezeték szerelőhöz.
Hab a készülék alján.	Nem megfelelő tisztítószer adagolt.	Csak speciális, a mosogatógépekben használható tisztítószereket használjon. Habképződés esetén nyissa ki az ajtót és várja meg a hab megszűnését. A készülék aljába öntsön 1 liter hideg vizet. Csukja be az ajtót és állítson be bármilyen programot. A készülék kiszivattyúzza a vizet. A szivattyúzás után nyissa ki az ajtót és ellenőrizze le, hogy a hab eltűnt-e. Szükség esetén a fenti lépést ismételje meg.
	Kifolyt a fényesítő szer.	A kifolyt fényesítő szert törölje le.
A készülék alján rozsdásodás látható.	A tisztítószér színező anyagot tartalmazott.	Ne használjon színező anyagot tartalmazó tisztítószert.
Fehér lerakódások a készülék belsejében	A kemény vízből vízkő rakódott le.	A készülék belsejét mosogatógép tisztító szer és puha szivacs használatával tisztítsa meg. Viseljen gumikesztyűt. Ne használjon más szereket, mert ezek habosodást okozhatnak.

Probléma	Lehetséges ok	Teendő
Az evőeszközökön rozsdafolt látható.	Ezek az evőeszközök nem rozsdamentes anyagból készültek.	A mosogatógépben ne mosogasson olyan eszközöket, amelyek nem rozsdamentes anyagból készültek.
	Só adagolása után a mosogatógép nem kapcsol be. A rendszerbe só került.	A só adagolása után a készüléket edények nélkül kapcsolja be. Só adagolása után ne kapcsolja be a Turbó programot (ha ilyen van).
	A sótartály fedél le van lazulva.	A sótartály fedelet húzza meg.
Kopogás a mosogatógépben.	A forgókar hozzáér valamilyen edényhez.	Szüneteltesse a program futását, rendezze el az edényeket és folytassa a mosogatást.
Zörgés/csörgés a mosogatógépben.	A porcelán edények egymáshoz érnek.	Szüneteltesse a program futását, rendezze el az edényeket és folytassa a mosogatást.
Zajos víztömlő.	Probléma a vízrendszerben, vagy nem megfelelő csőátmérő.	A mosogatógép működésére nincs hatással. Bizonytalanság esetén kérjen tanácsot vízvezeték szerelő szakembertől.
Az edény nem tiszta.	Az edények nem voltak szabályszerűen berakva.	Lásd fent az edények berakódását.
	Nem megfelelő program lett kiválasztva.	Válasszon intenzívebb programot.
	Kevés mosogatószeret adagolt.	Adagoljon több mosogatószeret vagy használjon más mosogatószeret.
	Valamilyen edényben elakadt a forgókar.	Rendezze át az edényeket, az edények nem érhetnek hozzá a forgókarhoz.
	Szűrőrendszer nem tiszta vagy nincs szabályszerűen beszerelve. Ez leblokkolhatja az alsó forgókart.	Tisztítsa meg a szűrőt és szabályszerűen szerelje be. Tisztítsa meg a forgókar fűvókáit.
Színes hártya az üvegedényeken.	Lágy a víz és sok a mosogatószer.	Amennyiben Önöknél lágy a víz, akkor adagoljon kevesebb mosogatószeret, és válasszon rövidebb programokat.
Az edényeken és üvegeken fehér foltok vannak.	A kemény víz miatt vízkő rakódott le.	Ellenőrizze le a vízlágyító beállítását, a sótartály töltöttségét.
Fekete vagy szürke foltok az edényeken	Az alumínium edények hozzáérték más edényekhez.	A foltokat finom csiszolószerszeggel tisztítsa le.
Az adagolóban mosogatószer maradt.	Edény megakadályozta a tisztítószer fedél kinyitását.	Ügyeljen az edények berakására.

Probléma	Lehetséges ok	Teendő
Az edények nem szárazok.	Rosszul rakodta be az edényeket a kosárba.	Az edényeken maradt tisztítószert csak gumikesztyűvel fogja meg, a tisztítószer agresszív anyag.
	Az edényeket túl gyorsan szedte ki.	A mosogatás befejezés után ne szedje ki azonnal az edényeket. Az ajtót kissé nyissa ki, hogy a gőz el tudjon távozni. Az edényeket akkor szedje ki, ha a készülék belső része már lehűlt. Előbb az alsó kosarat ürítse ki, mert a felső kosárból víz csepeghet le.
	Rossz programot választott ki.	Rövidebb program esetén a víz hőmérséklete alacsonyabb, a mosogatás nem lesz hatékony. Válasszon hosszabb mosogatási programot.
	Nem megfelelő anyagból készültek az evőeszközök.	A szárítás hosszabb időt vesz igénybe. Előfordulhat, hogy ezeket az evőeszközöket nem is lehet elmosni a mosogatógépben.

VESZÉLY!

A készülék saját erőből történő javítása veszélyes helyzeteket teremthet és a garancia megszűnését is eredményezheti.

HIBAKÓDOK ÉS JELENTÉSÜK

Kód	Jelentés	Lehetséges ok
E1	A víz betöltése hosszabb a tervezettnél.	A szelep el van zárva, kicsi a nyomás a vízrendszerben, nincs víz a rendszerben.
E3	A készülék nem érte el a beállított hőmérsékletet.	A fűtőtest meghibásodott.
E4	Víz túltöltés.	Túl sok víz van a készülékben.
Ed	Elektronika kommunikációs hiba.	Zárlat vagy szakadás az áramkörben.

A HULLADÉKOK MEGSEMISÍTÉSE

A papírt és a hullámpapírt dobja a papírgyűjtő konténerbe. A műanyag fóliákat, PE zacskót és egyéb műanyag csomagolóanyagokat a műanyag gyűjtő konténerbe dobja ki.

A TERMÉK MEGSEMISÍTÉSE AZ ÉLETTARTAMA VÉGÉN

Az elektromos és elektronikus hulladékok kezelésére vonatkozó információk (érvényes az EU tagországokban és a hulladékok szelektálását előíró országokban)

A terméken, vagy a termék csomagolóanyagán feltüntetett jel azt jelenti, hogy az elektromos és elektronikus készüléket a háztartási hulladékok közé kidobni tilos. A terméket az elektromos és elektronikus hulladékok gyűjtésére kijelölt hulladékgyűjtő helyen kell leadni újrahasznosításhoz. Az elhasznált termék előírászerű újrafeldolgozásával Ön is hozzájárul a környezetünk védelméhez. A hulladékok megfelelő újrahasznosítása fontos szerepet játszik a természeti erőforrások kímélésében. A termék hulladékgyűjtőbe való leadásáról, és az anyagok újrahasznosításáról további információkat a polgármesteri hivatalban, a hulladékgyűjtő helyen, vagy a termék eladási helyén kaphat.



08/05

Ez a termék megfelel a kisfeszültségű berendezések biztonságára és az elektromágneses kompatibilitásra vonatkozó EU irányelveknek.



A használati útmutatót a www.ecg-electro.eu honlapról töltheti le.

A szöveg és a műszaki paraméterek megváltoztatásának a joga fenntartva.

A termék javítását végző márkaszervizek jegyzékét a Garancialevélben vagy a következő webhelyen találja meg: www.ecg-electro.eu.

- A termékre 24 hónap garanciát adunk.
- A 2019/2022/EU irányelvben megadott pótalkatrészeket 7 vagy 10 éven keresztül biztosítjuk.
- A termékek adataihoz (a 2019/2017/EU irányelv szerint), az energetikai címkén található QR kód beolvasásával lehet hozzáférni.

BEZPEČNOSTNÉ POKYNY

Čítajte pozorne a uschovajte na budúcu potrebu!

Varovanie: Bezpečnostné opatrenia a pokyny uvedené v tomto návode nezahŕňajú všetky možné podmienky a situácie, ku ktorým môže dôjsť. Používateľ musí pochopiť, že faktorom, ktorý nie je možné zabudovať do žiadneho z výrobkov, je zdravý rozum, opatrnosť a starostlivosť. Tieto faktory teda musia byť zaistené používateľom/používateľmi používajúcimi a obsluhujúcimi toto zariadenie.

Nezodpovedáme za škody spôsobené počas prepravy, nesprávnym používaním, kolísaním napätia alebo zmenou či úpravou akejkoľvek časti zariadenia.

Dodržujte pokyny uvedené v tomto návode. Pred prvým použitím si celý písomný návod dôkladne preštudujte a uchovajte na ďalšiu potrebu.

Aby nedošlo k vzniku požiaru alebo k úrazu elektrickým prúdom, mali by sa pri používaní elektrických zariadení vždy dodržiavať základné opatrenia, vrátane tých nasledujúcich:

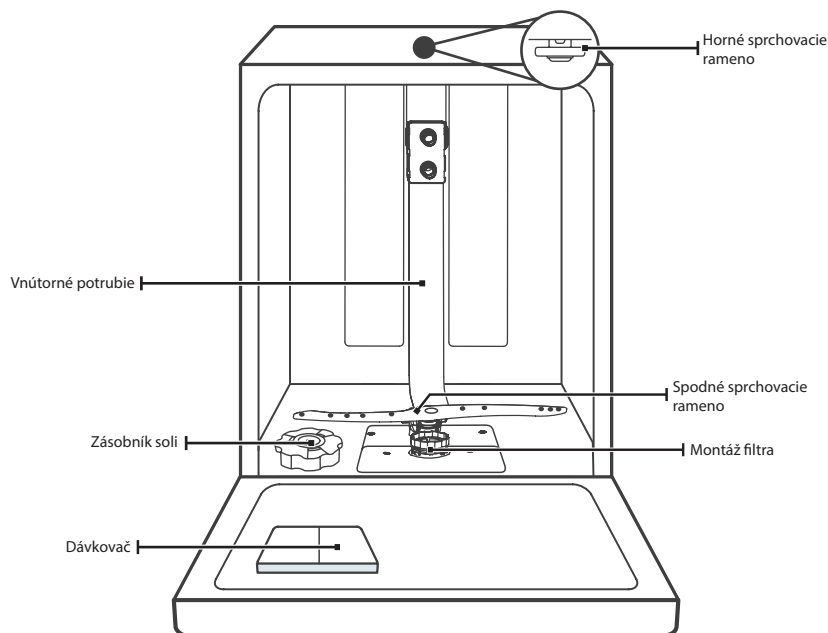
1. Tento spotrebič môžu používať deti staršie ako 8 rokov a osoby s obmedzenými fyzickými a duševnými schopnosťami a osoby bez skúseností a znalostí spotrebiča, ak bude zaistený dozor alebo inštruktáž vzhľadom na používanie spotrebiča bezpečným spôsobom, tak, aby ohrozenie spojené s používaním, bolo zrozumiteľné. Deti sa nemôžu so zariadením hrať. Deti bez dozoru nemôžu vykonávať čistenie ani inú údržbu spotrebiča.
2. Do koša nekladajte nevhodné a ťažké predmety. Nepreplňujte kôš. Výrobca nezodpovedá za akékoľvek poškodenie vnútorných častí spotrebiča, ku ktorému došlo v súvislosti s nesprávnym používaním spotrebiča.
3. Neotvárajte dvierka spotrebiča počas umývacieho cyklu. Ak napriek tomu otvoríte dvierka počas umývacieho cyklu, bezpečnostné zariadenie zastaví prevádzku spotrebiča.

4. Aby ste predišli nehode, nenechávajte dvierka otvorené. Dvere umývačky sa nemajú nechávať v otvorenej polohe, pretože to predstavuje nebezpečenstvo potknutia.
5. **Výstraha:** Nože a ostatné potreby pre domácnosť s ostrými hrotmi sa musia ukladať do koša s hrotmi smerujúcimi dole alebo umiestniť vo vodorovnej polohe.
6. Poškodený napájací kábel smie vymeniť iba výrobca, jeho servisný technik alebo iná podobne kvalifikovaná osoba.
7. Ak je funkcia EnergySave aktívna, dvierka spotrebiča sa na konci programu otvoria. Nevyvíjajte tlak na zatvorené dvierka, aby nedošlo k poškodeniu mechanizmu dvierok. Aby sa zaistilo účinné sušenie, je potrebné dvere otvoriť po 30 minútach (modely so systémom automatického otvárania dvierok).
8. **Varovanie:** Hneď ako zaznie akustický signál oznamujúci automatické otvorenie dvierok, nesmiete stáť priamo pred dvierkami.
9. Uchovávajte obalový materiál mimo dosahu detí.
10. Nedovoľte deťom, aby sa so spotrebičom hrali alebo ho spúšťali.
11. Čistiace prostriedky uchovávajte mimo dosahu detí.
12. Deti sa nesmú nachádzať v blízkosti spotrebiča počas otvárania dvierok po dokončení umývacieho cyklu, pretože sa v spotrebiči môžu vyskytovať zvyšky čistiacich prostriedkov.
13. Dohliadnite, aby sa deti a domáce zvieratá nachádzali v bezpečnej vzdialenosti od spotrebiča v priebehu prevádzky.
14. Uistite sa, že doslúžený spotrebič nepredstavuje pre vaše deti žiadnu hrozbu. Sú známe prípady, keď došlo k uväzneniu detí v doslúženom spotrebiči. Aby ste takejto situácii predišli, rozbite zámku dvierok doslúženého spotrebiča a odrežte napájací kábel.
15. Dohliadnite, aby voda a elektrický spotrebič boli pripojené kvalifikovaným technikom v súlade s pokynmi výrobcu a miestnymi bezpečnostnými predpismi.
16. Vykonanie opravy spotrebiča inou osobou než zamestnancom autorizovaného servisu má za následok stratu záruky.

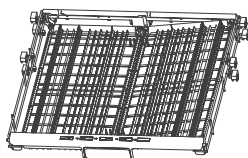
17. Pred prístupím k oprave spotrebiča sa uistite, že je spotrebič odpojený od napájania. Vypnite poistku alebo odpojte spotrebič od elektrickej siete vytiahnutím zástrčky napájacieho kábla zo zásuvky. Pri odpájaní spotrebiča od elektrickej siete ťahajte za zástrčku, nie za kábel. Skontrolujte, či ste uzavreli prívod vody.
18. Tento spotrebič je určený na použitie v domácnosti a podobných priestoroch, ako sú:
 - kuchynské kúty v obchodoch, kanceláriách a ostatných pracoviskách;
 - v poľnohospodárstve;
 - pre hostí v hoteloch, motelloch a iných obytných prostriedkoch;
 - v podnikoch zaisťujúcich nocľah s raňajkami.
19. Použite nový komplet hadíc dodaný spolu so spotrebičom. Nepoužívajte opakovane starý komplet hadíc.
20. Po ukončení používania vždy odpojte spotrebič od napájania a uzavrite prítok vody.
21. Na zaistenie svojej bezpečnosti vidlicu napájacieho vodiča vkladajte do uzemnenej trojpólovej zásuvky. Opatrne skontrolujte a presvedčte sa, že zásuvka je uzemnená správnym a spoľahlivým spôsobom.
22. Pred použitím spotrebiča starostlivo odstráňte všetky elementy obalu a zabezpečenia proti pohybu. V opačnom prípade sa môže vyskytnúť vážne poškodenie spotrebiča.
23. Umývačku neinštalujte vo veľmi mokrých a vlhkých miestnostiach, takisto ani v miestnostiach, v ktorých sa vyskytujú výbušné alebo žieravé plyny.
24. Na umývačku nevstupujte ani si nesadajte.
25. Neopierajte sa o dvere umývačky.
26. Nezatvárajte dvere násilným spôsobom. Ak je uzatváranie dverí umývačky obťažné, skontrolujte, či sa v umývačke nenachádza príliš mnoho riadu, alebo či je riad dobre rozmiestnený.
27. Je zakázané používanie ľahko zápalných a výbušných alebo toxických rozpúšťadiel. Nepoužívajte benzín ani alkohol a pod. ako čistiace prostriedky.

28. Po skončení umývacieho programu vyčkajte a potom opatrne otvorte dvere umývačky.
29. Po otvorení dverí umývačky dávajte pozor na stúpajúcu horúcu paru, ktorá vám v prípade neopatrnosti môže spôsobiť zdravotnú komplikáciu.

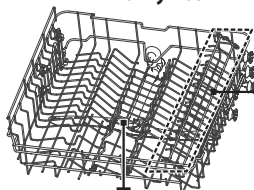
POPIS PRODUKTU



Priehradka na príbory



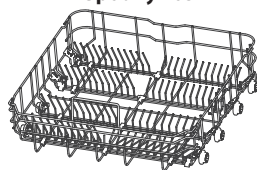
Horný kôš



Horné sprchovacie rameno

Stojan na hrnčeky

Spodný kôš



Poznámka: Obrázky sú iba orientačné, rôzne modely sa môžu líšiť.

POKYNY NA INŠTALÁCIU

NEBEZPEČENSTVO ÚRAZU ELEKTRICKÝM PRÚDOM!

Pred inštaláciou umývačky odpojte prívod elektriny. Neposlúchnutie môže viesť k smrteľnému úrazu elektrickým prúdom.

Inštaláciu potrubia a elektrického pripojenia musia vykonávať profesionáli.

Pripojenie k napájacej sieti

Požiadavky na napájanie

Overte si na štítku spotrebiča, či menovité napätie zodpovedá napájacej sieti, ku ktorej bude pripojený. Sieťový okruh by mal byť vyhradený iba pre umývačku a musí byť chránený poistkou s hodnotou 10/13/16 A, časovou poistkou alebo ochranným spínačom.

Elektrické zapojenie

Skontrolujte, či napájacie napätie a frekvencia zodpovedá hodnotám uvedeným na štítku spotrebiča. Napájací kábel pripojte iba k sieťovej zásuvke, ktorá je riadne uzemnená. Ak sieťová zásuvka, ku ktorej má byť spotrebič pripojený, nezodpovedá zástrčke napájacieho kábla, vymeňte zásuvku. Pri použití adaptéra hrozí nebezpečenstvo jeho prehriatia a vznietenia.

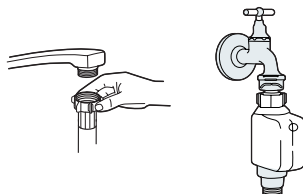
- **Pred použitím sa uistite, že je spotrebič riadne uzemnený.**

Prívod vody a odpadová hadica

Rozvody vody musia byť vhodné na inštaláciu umývačky riadu. Takisto vám odporúčame, aby ste na vstupe vody nainštalovali filter a predišli tak poškodeniu spotrebiča z dôvodu kontaminácie nečistotami (piesok, hlina, hrdza atď.), ktoré sa môžu nachádzať vo vodovodnom potrubí alebo v domácich rozvodoch vody. Predídete tak zožltnutiu riadu a hromadeniu nečistôt v spotrebiči.

Pripojenie studenej vody

Prívodnú hadicu studenej vody pripojte ku skrutkovej spojke s priemerom 3/4 palca a uistite sa, že je pevne uchytená. Ak je prívodné potrubie nové alebo sa dlho nepoužívalo, nechajte chvíľu prúdiť vodu, kým sa celkom nevyčistí. Tým zabránite prípadnému upchatiu vodného prívodu a poškodeniu prístroja.



Bezpečnostná prívodná hadica

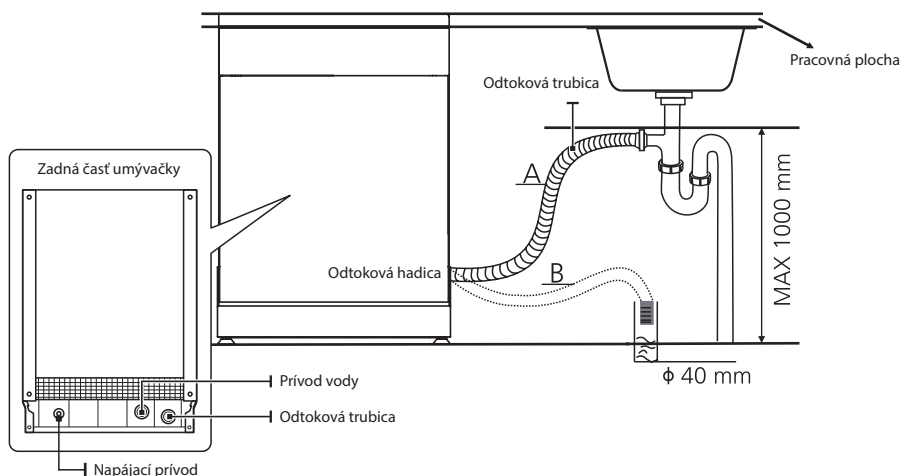
Hadica má dvojité steny. Systém hadice zaisťuje uzatvorenie toku vody v prípade, že dôjde k pretrhnutiu hadice alebo k vniknutiu vody do priestoru medzi dvojité steny hadice.

Pripojenie bezpečnostnej hadice prívodu vody

1. Vytiahnite bezpečnostnú prívodnú hadicu celkom z jej úložiska na zadnej strane umývačky.
2. Nasadte koncovku na prívod vody so závitom 3/4 palca a utiahnite skrutkový spoj.
3. Pred použitím umývačky celkom otvorte kohútik prívodu.

Pripojenie odpadovej hadice

Pripojte odpadovú hadicu k odpadovému potrubiu s minimálnym priemerom 4 cm alebo ju vložte do výlevky a zaistite, aby sa neohýbala ani nelámala. Vyústenie hadice musí byť umiestnené vo výške menšej než 1 000 mm. Voľný koniec hadice nesmie byť ponorený do vody, aby nedošlo k spätnému nasatiu vody.



Ako odstrániť zvyšok vody z hadice

Ak je prípojka k vypúšťaciemu potrubiu umiestnená vyššie než 1 000 mm, môže vo vypúšťacej hadici zostať prebytočná voda. V takom prípade je nutné zvyškovú vodu nechať vytiect' z hadice do misy alebo inej vhodnej nádoby umiestnenej pod úroveň výlevky.

Odtok vody

Pripojte odpadovú hadicu. Hadica odpadovej vody musí perfektne tesniť, aby zo spoja nevytekala voda. Uistite sa, že odpadová hadica nie je skrútená ani postláčaná.

Predlžovacia hadica

Ak potrebujete predlžovaciu odpadovú hadicu, použite podobný typ. Nesmie byť dlhšia než 4 m, v opačnom prípade by sa znížil výkon umývačky.

Prípojenie vodnej uzávierky

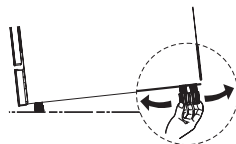
Prípojenie odpadovej hadice musí byť umiestnené vo výške 1 000 mm (maximálne) nad dnom umývačky.

Umiestnenie umývačky

Spotrebič umiestnite na požadované miesto. Zadná časť by mala smerovať k stene a bočné časti k susedným skriniam alebo stenám. Umývačka je vybavená hadicami na prívod a odtok vody, ktoré je možné umiestniť vpravo aj vľavo, a tak umožniť ideálnu inštaláciu.

Vyrovnanie umývačky

Hneď ako je umývačka postavená na svojom mieste, jej výšku je možné prispôsobiť pomocou nastavovacích skrutiek umiestnených v dolnej časti. Umývačka nesmie byť naklonená o viac než 2°.

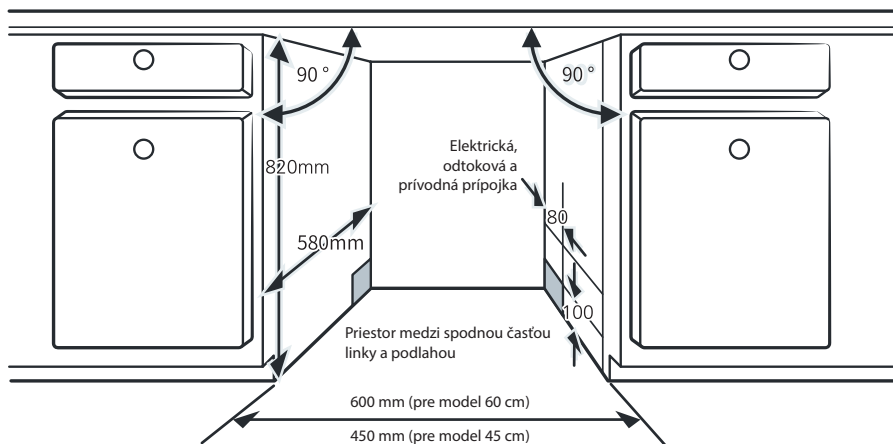


Vstavaná inštalácia

Výber najvhodnejšieho umiestnenia umývačky riadu

Umývačka by mala byť inštalovaná v blízkosti prívodného a odpadového potrubia a prívodu elektriny. Vyobrazenie rozmerov skrine a inštaláčnej polohy umývačky.

1. Montážne rozmery sú uvedené pri vzdialenosti medzi hornou plochou umývačky a doskou skrinky menšej než 5 mm a pri dvierkach v rovine skriniek.



2. Ak je umývačka nainštalovaná v rohu, mal by pri otvorení dvierok zostať voľný priestor.

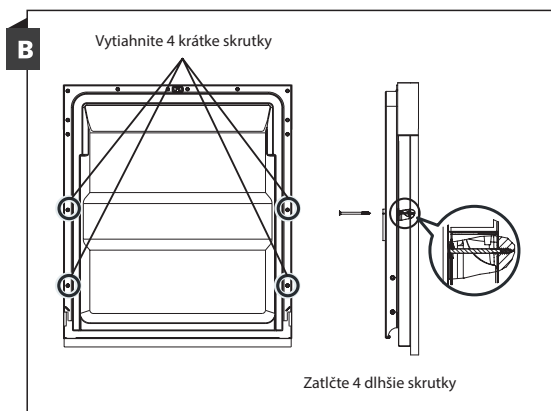
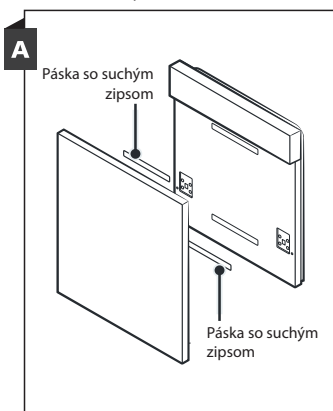
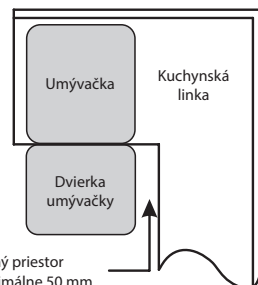
V závislosti od umiestnenia elektrickej zásuvky bude možno nutné vyrezať otvor na protiahlejšej strane skrine.

Rozmery a montáž dekoratívneho panelu

Pri upevňovaní dekoratívneho dverného panelu postupujte podľa postupu určeného pre váš model spotrebiča.

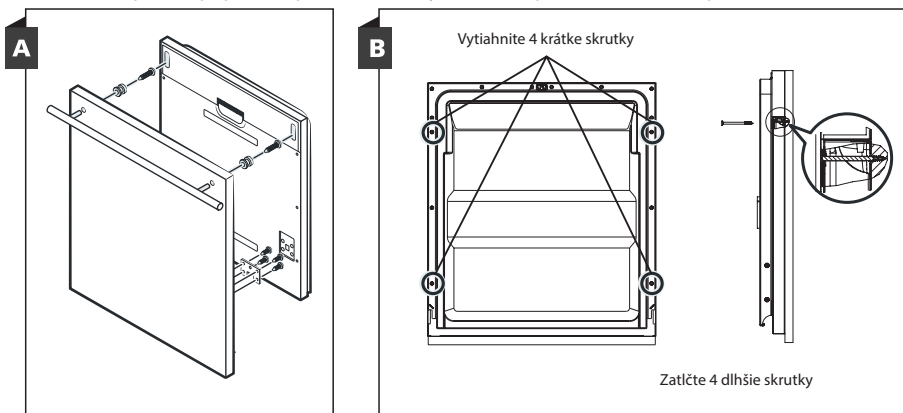
Polovstavaný model

Oddelte pásku so suchým zipsom A a pásku so suchým zipsom B a pripevnite pásku A na vnútornú stranu dekoratívneho panelu. Pripevnite pásku B na vonkajšiu stranu dvierok umývačky (pozrite obrázok A). Po umiestnení panelu pripevnite panel na vonkajšie dvierka pomocou skrutiek (pozrite obrázok B).



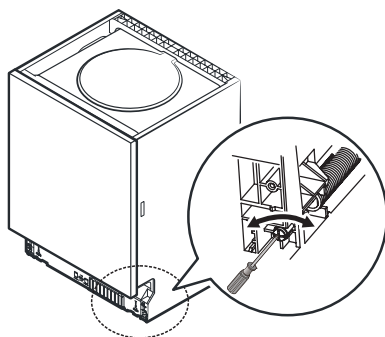
Plne vstavaný model

Nainštalujte háčiky na dekoratívny panel a vložte ho do otvorov vonkajších dveriek umývačky (pozrite obrázok A). Po umiestnení panelu pripevnite panel na vonkajšie dvierka pomocou skrutiek (pozrite obrázok B).



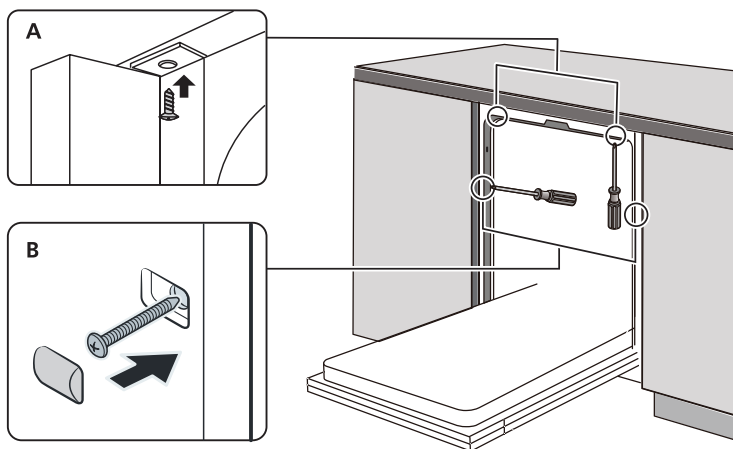
Nastavenie odporu pružiny dveriek

1. Pružiny dverí sú z výroby nastavené na správny odpor pre vonkajšie dvere. Ak sú inštalované dekoratívne panely, je nutné nastaviť odpor pružín dverí znova. Otáčaním nastavovacej skrutky napnite alebo uvoľnite ocelové lanko.
2. Odpor pružiny dverí je správny, keď dvere zostávajú v plne otvorenej polohe vodorovne, ale miernym zdvihnutím prstom sa zdvihnú a zavrú.



Postup inštalácie umývačky riadu

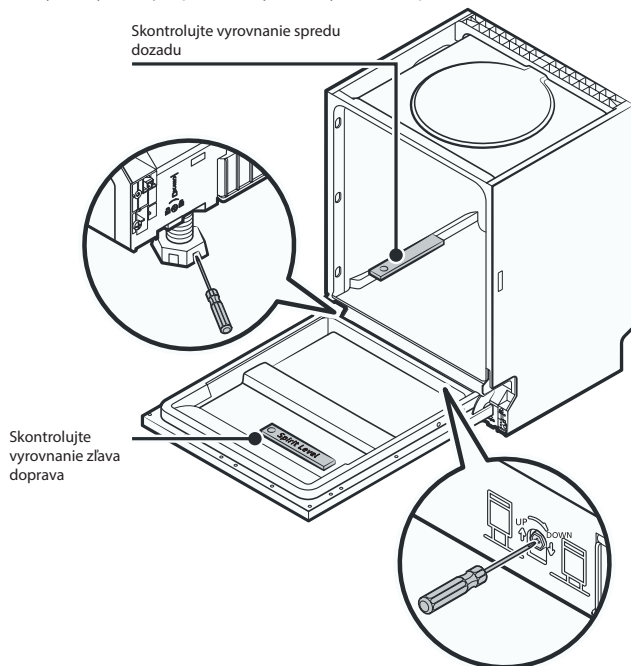
1. Pod pracovnú plochu linky pripevnite kondenzačnú lištu. Uistite sa, že je kondenzačná lišta v jednej rovine s okrajom pracovnej plochy.
2. Pripojte prívodnú hadicu k prívodu studenej vody.
3. Pripojte vypúšťaciu hadicu.
4. Pripojte napájací kábel.
5. Umiestnite umývačku do kuchynskej linky.
6. Vyrovnajte umývačku. Zadné nôžky je možné nastaviť z prednej časti umývačky otáčaním skrutky uprostred základne umývačky. Použite krížový skrutkovač. Na nastavenie predných nôžok použite plochy skrutkovač a otáčajte prednými nôžkami, kým nebude umývačka vyrovnaná.
7. Nainštalujte nábytkové dvierka na vonkajšie dvierka umývačky.
8. Upravte odpor pružiny dveriek otáčaním krížového skrutkovača v smere hodinových ručičiek. Nedodržanie tohto postupu môže spôsobiť poškodenie umývačky.
9. Umývačka riadu musí byť zaistená na mieste. To je možné vykonať dvoma spôsobmi:
 - A. Normálna pracovná doska: Vložte inštalčný hák do drážky bočnej strany a pripevnite ho k pracovnej ploche pomocou skrutiek.
 - B. Mramorová alebo žulová pracovná doska: Upevnite bočnú stranu pomocou skrutiek.



Vyrovnanie umývačky

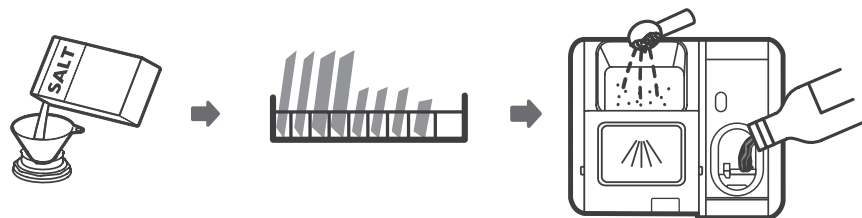
Umývačka riadu musí byť v rovine, aby správne fungoval stojan na riade a umývací výkon.

1. Umiestnite vodováhu na dvierka a koľajnicu vnútri vane podľa obrázka a skontrolujte, či je umývačka v rovine.
2. Umývačku riadu vyrovnajte individuálnym nastavením troch vyrovnávacích nôžok.
3. Pri vyrovnávaní umývačky dávajte pozor, aby sa umývačka neprevrhla.



Maximálna výška nastavenia nôžok je 50 mm.

POUŽITIE UMÝVAČKY



1. Vložte soľ do zmäkčovadla, nastavte tvrdosť vody a v prípade potreby doplňte leštidlo.
2. Pripravte a vložte do umývačky riadu.
3. Naplňte dávkovač umývacieho prostriedku.
4. Zvoľte program a spustíte umývačku.

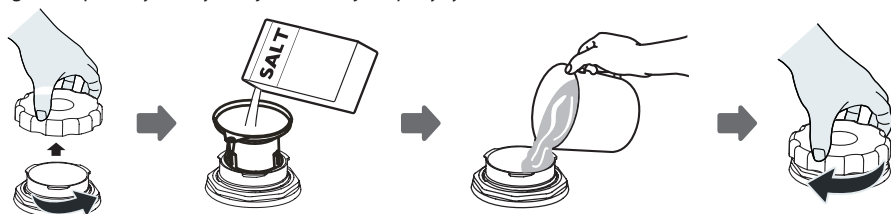
VKLADANIE SOLI, NASTAVENIE TVRDOSTI VODY A PLNENIE LEŠTIDLA

Vždy používajte soľ určenú do umývačky riadu. Nádobu na soľ je umiestnená pod spodným košom.

Varovanie:

- Používajte výhradne soľ určenú pre umývačky riadu! Iné typy solí, ktoré nie sú určené pre umývačky, ako napr. kuchynská soľ, poškodia zmäkčovadlo vody. V prípade poškodenia spôsobeného použitím nevhodnej soli výrobca neposkytuje záruku a nie je zodpovedný za vzniknuté škody.
- Soľ plňte iba pred spustením cyklu. To zabráni zrnkám soli uvoľneným zo zásobníka, aby sa nejaký čas zhromažďovali na dne umývačky, kde by mohli spôsobiť proces korózie.

Pri regulácii spotreby soli vykonajte nasledujúce pokyny:



1. Vyberte spodný koš a odskrutkujte viečko nádrže.
2. Do otvoru v zásobníku vložte lievik (v dodávke) a nasypete doň asi 1,5 kg soli.
3. Doplňte zásobník vodou. Malé množstvo vody obvykle zo zásobníka pretečie von.
4. Po naplnení zásobníka pevne zaskrutkujte uzáver.
5. Po naplnení zásobníka solí prestane svietiť kontrolka soli.
6. Ihneď po naplnení zásobníkov soľou spustíte nejaký umývací program (odporúčame program rýchleho umývania). Ak sa tak nestane, slaná voda môže poškodiť filtračný systém, čerpadlo alebo inú dôležitú súčasť. V takom prípade zaniká nárok na záruku.

Poznámky:

- Soľ je potrebné doplniť v okamihu, keď sa na ovládacom paneli rozsvieti kontrolka soli (☞). Vzhľadom na rýchlosť rozpúšťania soli môže kontrolka soli svietiť aj po tom, čo bola soľ doplnená. Ak na ovládacom paneli nie je indikátor soli (pri niektorých typoch), odhadnite okamih prídania soli do zmäkčovadla podľa počtu vykonaných umývacích cyklov.
- Ak sa soľ rozsykala, spustíte oplachovací alebo rýchly program, aby ste ju odstránili.

Zmäkčovadlo vody

Zmäkčovadlo vody nastavíte ručne pomocou otočného ovládača tvrdosti vody. Funkciou zmäkčovadla vody je odstraňovať z vody minerály a soli, ktoré by mohli nepriaznivo a škodlivo ovplyvniť prevádzku umývačky. Čím viac je v nej minerálov, tým tvrdšia je voda. Zmäkčovadlo vody je možné nastaviť podľa miery tvrdosti vody vo vašej oblasti. Informácie o tvrdosti vody vám podá váš dodávateľ vody.

Nastavenie spotreby soli

Umývačka umožňuje regulovať spotrebu soli v závislosti od tvrdosti používanej vody. Tak je možné mieru spotreby soli optimalizovať a regulovať.

Pri regulácii spotreby soli vykonajte nasledujúce pokyny:

1. Zavrite dvierka, zapnite spotrebič.
2. Do 60 sekúnd po zapnutí spotrebiča stlačte tlačidlo programu **Rýchle umývanie** na viac než 5 sekúnd, aby ste vstúpili do režimu nastavenia zmäkčovadla vody.
3. Opätovným stlačením tlačidla programu **Rýchle umývanie** vyberte správnu súpravu podľa miestneho prostredia, nastavenie sa zmení v nasledujúcom poradí: H1 -> H2 -> H3 -> H4 -> H5 -> H6.
4. Režim nastavenia ukončíte stlačením tlačidla napájania \cup .

STUPNICA TVRDOSTI VODY				Nastavenie úrovne	Spotreba soli
Nemecká (dH)	Francúzska (fH)	Britská (Clarke)	Mmol/l		
0 – 5	0 – 9	0 – 6	0 – 0,94	H1	0
6 – 11	10 – 20	7 – 14	1,0 – 2,0	H2	9
12 – 17	21 – 30	15 – 21	2,1 – 3,0	H3	12
18 – 22	31 – 40	22 – 28	3,1 – 4,0	H4	20
23 – 34	41 – 60	29 – 42	4,1 – 6,0	H5	30
35 – 55	61 – 98	43 – 69	6,1 – 9,8	H6	60

1 °dH = 1,25 °Clarke = 1,78 °fH = 0,178 mmol/l

Výrobné nastavenie: H3

Naplnenie zásobníka leštidlom

Leštidlo sa uvoľňuje v záverečnej fáze programu pri leštení. To zabraňuje, aby sa na riade vytvárali kvapky, ktoré by na ňom mohli zanechať škvrny a šmuhy. Takisto urýchľuje sušenie a odkvapkávanie vody z riadu. Vo vašej umývačke sa používa tekuté leštidlo.

Do umývačky používajte výhradne značkové leštidlá. Dávkovače leštidla nikdy neplňte inými látkami (napr. čistidlom do umývačiek, tekutým saponátom). Mohlo by dôjsť k poškodeniu prístroja.

Nastavenie zásobníka leštidla

Na dosiahnutie vyššieho sušiaceho výkonu s obmedzeným množstvom leštidla je umývačka navrhnutá tak, aby bolo možné upraviť spotrebu podľa používateľa. Postupujte podľa nižšie uvedených krokov.

1. Zavrite dvierka a zapnite spotrebič.
2. Do 60 sekúnd po kroku 1 stlačte a podržte tlačidlo Program **P** aspoň 5 sekúnd, a potom stlačte tlačidlo odloženia spustenia (2) na vstup do režimu nastavenia.
3. Pomocou tlačidla Program **P** vyberte požadované nastavenie v nasledujúcom poradí: D1 -> D2 -> D3 -> D4 -> D5 -> D1. Čím vyššie číslo, tým viac leštidla umývačka spotrebuje.
4. Stlačením tlačidla napájania \cup dokončíte nastavenie. Nastavenie bude uložené aj po 5 sekundách bez aktivity.

Kedy doplniť leštidlo

Pravidelnosť dopĺňovania leštidla závisí od častosti umývania riadu a od použitého nastavenia.

- Ak je potrebné väčšie množstvo leštidla, rozsvieti sa indikátor nedostatku leštidla (☼).
- Nepreplňujte dávkovač leštidla.

PLNENIE KOŠOV RIADOM

- Zvážte nákup takéhoto riadu a príborov, ktoré sú určené do umývačiek riadu.
- Pre určité druhy riadu zvolte program pracujúci s najnižšou možnou teplotou.
- Sklo a nože vyberte z umývačky čo najskôr po skončení umývania. Zabráňte tak možnému poškodeniu.

Tento riad nie je vhodný na umývanie v umývačkách:

- Príbory s drevenými, porcelánovými, rohovinovými alebo perleťovými držadlami.
- Nádobý z plastov, ktoré nie sú odolné teplu.
- Staršie príbory s lepenými časťami, ktoré nie sú odolné teplu.
- Cínové a medené predmety.
- Krištáľové sklo.
- Oceľové predmety, ktoré hrdzavejú.
- Drevené misy.
- Predmety zo syntetických vlákien.
- Niektoré druhy skiel, ktoré môžu po často opakovanom umývaní zmatnieť.
- Strieborné a hliníkové časti, ktoré majú sklon strácať pri umývaní farbu.
- Glazúrované vzory môžu pri častom umývaní v umývačke vyblednúť.

Odporúčanie pre plnenie umývačky

Odstráňte z riadu väčšie zvyšky pokrmov. Zvyšky pripálených pokrmov nechajte najskôr zmäknúť v panvici. Riad nie je potrebné vopred oplachovať pod tečúcou vodou.

Najlepšie výsledky umývania dosiahnete vtedy, keď sa budete riadiť nasledujúcimi pokynmi. **(Funkcia a vzhľad košov na riad a príbory sa môžu líšiť podľa modelu umývačky.)**

Predmety ukladajte do umývačky nasledujúcim spôsobom:

- Predmety ako šálky, poháre, hrnce, misky a pod. ukladajte hore dnom.
- Nádobý so zakrivenými alebo vyklenutými časťami ukladajte šikmo tak, aby z nich mohla vytekať voda.
- Všetky predmety urovnajte tak, aby sa nemohli prevrhnúť.
- Všetky predmety urovnajte tak, aby sa ostrekovacie ramená mohli voľne pohybovať.
- Duté predmety ako šálky, poháre, misky a pod. ukladajte dnom hore, aby sa v nich nemohla zhromažďovať voda.
- Riad a príbory sa nesmú ukladať na seba ani sa prekrývať. Aby nedošlo k poškodeniu, nemali by sa poháre vzájomne dotýkať.
- Horný kôš je určený pre krehkejšie a menšie predmety, ako sú poháre alebo šálky a hrnce.
- Nože s dlhou čepeľou uložené vo zvislej polohe predstavujú nebezpečenstvo!
- Dlhé alebo ostré predmety, ako sú krájacie nože, musia byť uložené vo vodorovnej polohe v hornom koši.
- Nikdy umývačku nepreťažujte. Len tak dosiahnete dobré výsledky a ušetríte energiu.

UPOZORNENIE: RIAD BUDE HORÚCI!

Abyste predišli popáleniu, nevyberajte sklo a príbory z umývačky približne 15 minút po skončení programu.

Poznámka: Veľmi malé predmety by sa do umývačky dávať nemali, pretože by mohli ľahko prepadnúť košom.

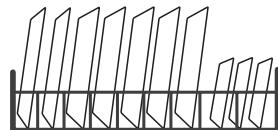
Plnenie horného koša

Horný kôš je určený pre krehkejšie a menšie predmety, ako sú poháre, hrnce, šálky a podšálky a ďalej tanieri, misky a plytké misy (ak nie sú príliš znečistené). Riad a príbory ukladajte tak, aby ich nemohol prevrhnúť prúd striekajúcej vody.



Plnenie spodného koša

Dlhé predmety a predmety, ktoré sa ťažko umývajú, t. j. hrnce, panvice, pokrievky, tanieri a misy odporúčame vkladať do spodného koša, ako znázorňuje obrázok. Tanieri a pokrievky odporúčame ukladať do drážok po



strane koša, aby nebránili rotácii horného ostrekovacieho ramena. Maximálny odporúčaný priemer tanierov pred dávkovačom umývacieho prostriedku je 19 cm, aby nebránil jeho otváraníu.

Plnenie priehradky na príbory

Príbory by mali byť v priehradke umiestnené oddelene na príslušných miestach. Príbory neukladajte príliš blízko k sebe, aby ste zabránili nedostatočnému umývaniu.

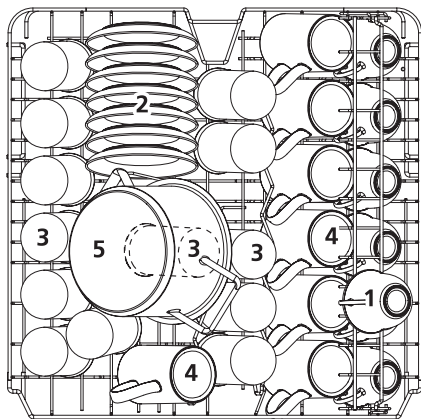
VAROVANIE:

Uistite sa, že žiadny predmet neprechádza dnom. Ostré predmety ukladajte vždy ostrým dólú!

Plnenie košov podľa normy EN60436

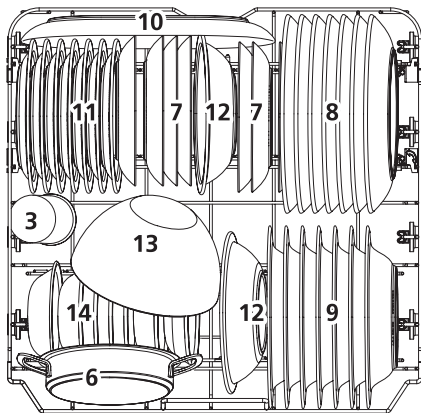
Plné naplnenie umývačky prispieje k úspore energie a vody.

Horný kôš



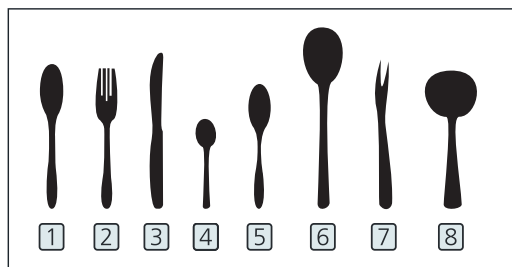
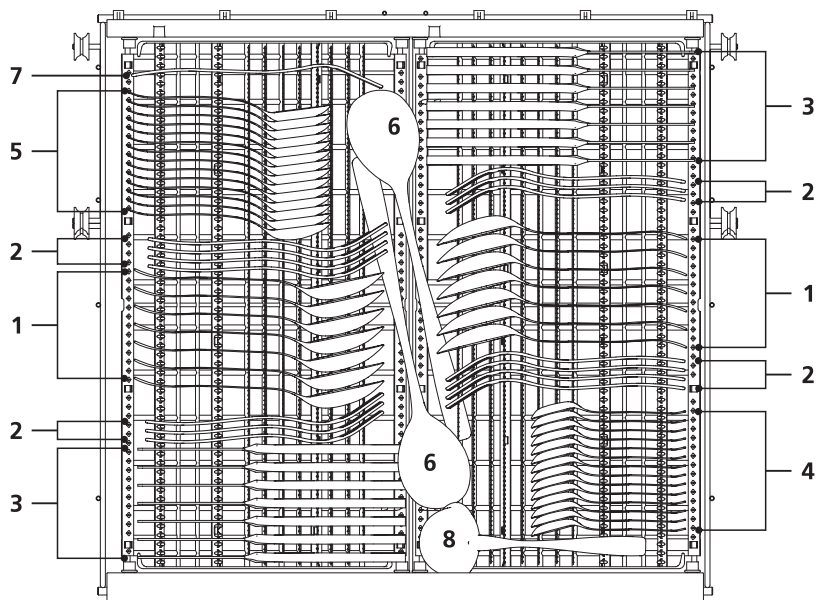
1. Šálky
2. Podšálky
3. Poháre
4. Hrnčeky
5. Malé hrnce

Spodný kôš



6. Pekáče
7. Dezertné taniere
8. Plytké taniere
9. Hlboké taniere
10. Oválne taniere
11. Melamínové dezertné taniere
12. Melamínové misky
13. Sklenené misky
14. Dezertné misky

Priehradka na príbory



1. Polievkové lyžice
2. Vidličky
3. Nože
4. Čajové lyžičky
5. Lyžice na dezert
6. Servírovacia lyžica
7. Servírovacie vidličky
8. Naberačky

Informácie pre porovnatelnosť

Testované podľa normy EN60436

Kapacita: 14 súprav riadu

Poloha horného koša: spodná poloha

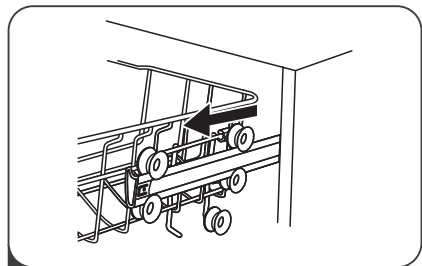
Program: ECO

Nastavenie leštenia: Max.

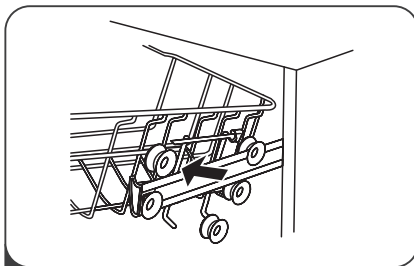
Nastavenie zmäkčovadla: H3

Nastavenie polohy horného koša

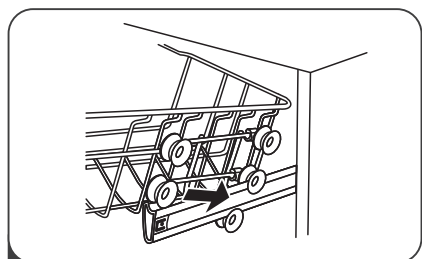
Výšku horného koša je možné ľahko nastaviť tak, aby sa do horného alebo spodného koša vošiel vyšší riad. Ak chcete nastaviť výšku horného koša, postupujte podľa nasledujúcich pokynov.

Variet 1:

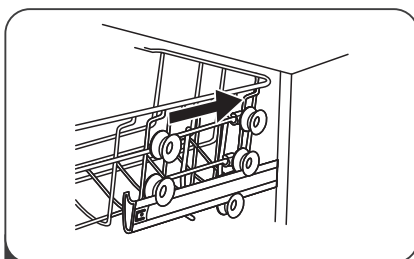
1 Vysuňte horný kôš.



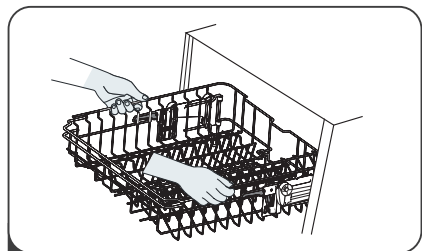
2 Vytiahnite horný kôš.



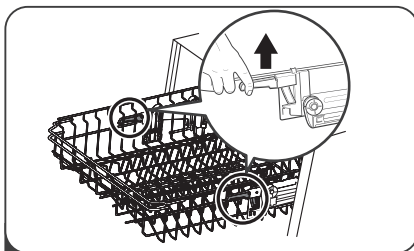
3 Znovu nasadíte horný kôš na horné alebo spodné kolieska.



4 Zasuňte horný kôš dovnútra.

Variet 2:

1 Ak chcete zdvihnúť horný kôš, stačí zdvihnúť horný kôš uchytением uprostred každej strany, kým sa kôš nezaistí v hornej polohe. Nie je nutné zdvíhať nastavovaciu rukoväť.



2 Ak chcete polohu horného koša znížiť, zdvihnite nastavovaciu rukoväť na oboch stranách, čím kôš uvoľníte a spustíte do spodnej polohy.

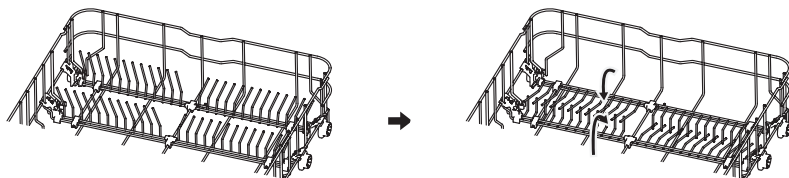
Odklopenie priehradiek na poháre

Ak chcete v hornom koši uvoľniť miesto pre vyššie predmety, zdvihnite držiak na poháre hore. Oň potom môžete oprieť vysoké predmety.

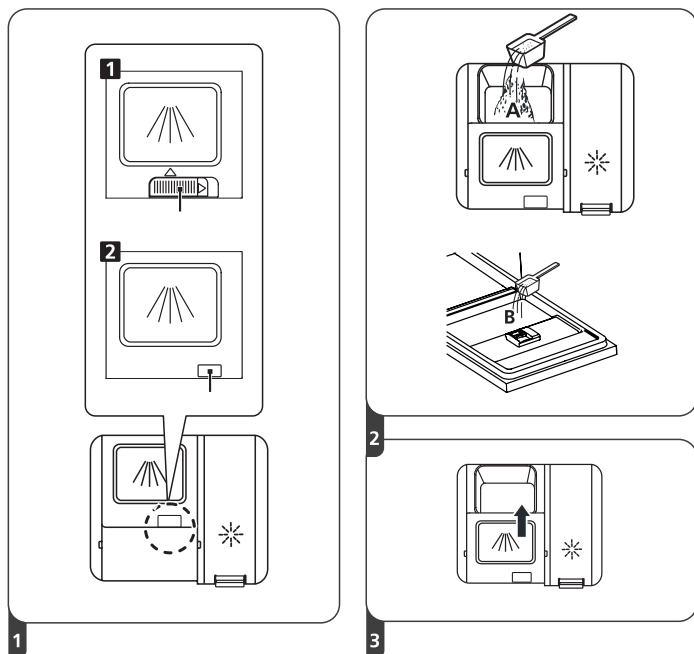


Sklopenie priehradiek na taniere

Priehradky v spodnom koši slúžia na uloženie tanierov. Je možné ich sklopiť, aby ste získali viac miesta na veľké predmety.



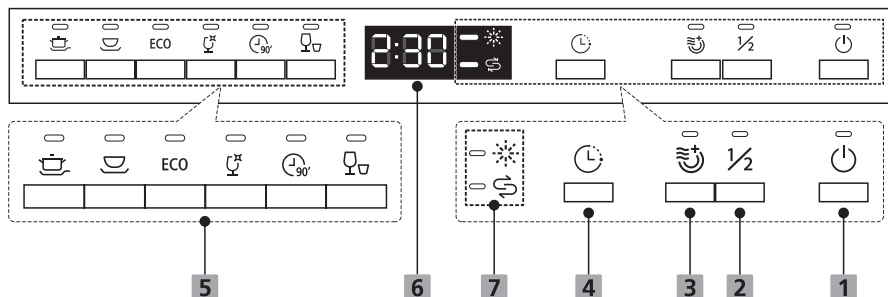
PLNENIE UMÝVACIEHO PROSTRIEDKU (TABLETY)



1. Spôsob otvárania viečka zvolte podľa vášho modelu.
 - Otvorte viečko posunutím poistky (1).
 - Otvorte viečko stlačením poistky (2).
2. Pre hlavný umývací cyklus pridajte prací prostriedok do väčšieho otvoru (A). Pre lepší výsledok čistenia, najmä ak máte veľmi znečistený riad, nalejte na dverka malé množstvo čistiaceho prostriedku. Prídavný čistiaci prostriedok sa spotrebuje počas fázy predumývania.
3. Klapku zavrite tak, že ju posuniete dopredu a zatlačíte dole.

Poznámka: Prečítajte si odporúčania výrobcu na obale umývacieho prostriedku.

OVĽADACÍ PANEL A VÝBER PROGRAMU (EDI 100363)



1 Napájanie

Stlačením tohto tlačidla zapnete umývačku, rozsvieti sa obrazovka.

2 Polovičná záťaž

Ak máte na umývanie približne polovicu alebo menej než polovicu riadu, môžete zvoliť túto funkciu, aby ste ušetrili energiu a vodu (nie je možné použiť s programom Rýchle umývanie).

3 Extra sušenie

Na lepšie vysušený riad (je možné použiť iba s programami Intenzívny, Univerzálny, ECO, Poháre a 90 min). Po stlačení tohto tlačidla sa rozsvieti príslušný indikátor.

4 Odloženie spustenia

Stlačením tohto tlačidla nastavíte hodiny odloženia umývania. Začiatok umývania môžete odložiť až o 24 hodín. Jedným stlačením tohto tlačidla odložíte začiatok umývania o jednu hodinu.

5 Indikátor programov

Zobrazí vybraný program (pozrite tabuľku nižšie).

6 Obrazovka

Zobrazenie zostávajúceho času programu a času odloženia, chybového kódu atď.

7 Varovné ukazovatele



Leštidlo

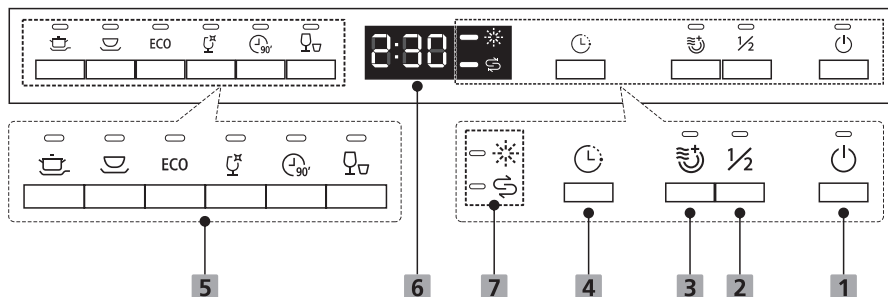
Ak svieti indikátor leštidla, znamená to, že je v umývačke málo leštidla a je potrebné ho doplniť.



Sol'

Ak svieti indikátor soli, znamená to, že je v umývačke málo soli a je potrebné ju doplniť.

OVĽÁDACÍ PANEL A VÝBER PROGRAMU (EDI 300163)



1 Napájanie

Stlačením tohto tlačidla zapnete umývačku, rozsvieti sa obrazovka.

2 Polovičná záťaž

Ak máte na umývanie približne polovicu alebo menej než polovicu riadu, môžete zvoliť túto funkciu, aby ste ušetrili energiu a vodu (nie je možné použiť s programom Rýchle umývanie).

3 Automatické otváranie dverí

Po skončení umývania sa dverka automaticky otvoria pre lepšie sušenie. Môže sa používať len s programami Intenzívny, Univerzálny, ECO, Sklo, 90 min.

4 Odloženie spustenia

Stlačením tohto tlačidla nastavíte hodiny odloženia umývania. Začiatok umývania môžete odložiť až o 24 hodín. Jedným stlačením tohto tlačidla odložíte začiatok umývania o jednu hodinu.

5 Indikátor programov

Zobrazí vybraný program (pozrite tabuľku nižšie).

6 Obrazovka

Zobrazenie zostávajúceho času programu a času odloženia, chybového kódu atď.

7 Varovné ukazovatele



Leštidlo

Ak svieti indikátor leštidla, znamená to, že je v umývačke málo leštidla a je potrebné ho doplniť.







Sol'






Ak svieti indikátor soli, znamená to, že je v umývačke málo soli a je potrebné ju doplniť.

Tabuľka umývacích programov (EDI 100363)

Program	Popis programu	Vhodný riad	Množstvo umývacieho prostriedku (predumývanie/umývanie)	Čas trvanie (min)	Energia (kWh)	Spotreba vody (l)	Leštidlo
 Intenzívny	Predumývanie (50 °C) Umývanie (65 °C) Oplachovanie Oplachovanie Oplach (65 °C) Sušenie	Silne znečistený riad vrátane hrncov a panvíc so zaschnutými zvyškami.	4/18 g 1 alebo 2 tablety	205	1,621	17,8	Áno

Program	Popis programu	Vhodný riad	Množstvo umývacieho prostriedku (predumývanie/umývanie)	Čas trvanie (min)	Energia (kWh)	Spotreba vody (l)	Leštidlo
 Univerzálny	Predumývanie (45 °C) Umývanie (55 °C) Oplachovanie Oplach (65 °C) Sušenie	Pre bežne znečistený riad, ako sú hrnce, taniere, poháre a mierne znečistené panvice.	4/18 g 1 alebo 2 tablety	175	1,302	14,3	Áno
ECO * EN60436	Umývanie (45 °C) Oplachovanie Oplach (60 °C) Sušenie	Ide o štandardný program vhodný pre bežne znečistený riad, ako sú hrnce, taniere, poháre a mierne znečistené panvice.	4/18 g 1 alebo 2 tablety	220	0,951	11,0	Áno
 Sklo	Predumývanie Umývanie (50 °C) Oplachovanie Oplach (65 °C) Sušenie	Na mierne znečistený riad a sklo.	4/18 g 1 tableta	120	1,100	14,3	Áno
 90' 90 min.	Umývanie (60 °C) Oplachovanie Oplach (65 °C) Sušenie	Pre bežne znečistený riad, ktorý potrebujete rýchlo umyť.	22 g 1 tableta	90	1,350	11,7	Áno
 Rýchle umývanie	Umývanie (50 °C) Oplachovanie Oplach (45 °C)	Kratšie umývanie pre mierne znečistený riad, ktorý nie je potrebné sušiť.	20 g 1 tableta	30	0,751	11,2	Nie

Tabuľka umývacích programov (EDI 300163)

Program	Popis programu	Vhodný riad	Množstvo umývacieho prostriedku (pred umývanie/umývanie)	Čas trvania (min)	Energia (kWh)	Spotreba vody (l)	Leštidlo
 Intenzívny	Predumývanie (50 °C) Umývanie (65 °C) Oplach Oplach (60 °C) Sušenie	Silne znečistený riad vrátane hrncov a panvíc so zaschnutými zvyškami.	4/18 g 1/2 tablety	205	1,651	18,7	Áno
 Univerzálny	Predumývanie (45 °C) Umývanie (55 °C) Oplach Oplach (60 °C) Sušenie	Pre bežne znečistený riad, ako sú hrnce, taniere, poháre a mierne znečistené panvice.	4/18 g 1/2 tablety	175	1,451	18,7	Áno
ECO * EN60436	Umývanie (50 °C) Oplachovanie Oplach (50 °C) Sušenie	Ide o štandardný program vhodný pre bežne znečistený riad, ako sú hrnce, taniere, poháre a mierne znečistené panvice.	22 g 1/2 tablety	198	0,849	11,0	Áno
 Sklo	Predumývanie (40 °C) Umývanie (50 °C) Oplachovanie Oplach (50 °C) Sušenie	Na mierne znečistený riad a sklo.	4/18 g 1/2 tablety	120	0,902	15,2	Áno
 90 min.	Umývanie (55 °C) Oplachovanie Oplach (50 °C) Sušenie	Pre bežne znečistený riad, ktorý potrebujete rýchlo umyť.	22 g 1/2 tablety	90	0,891	11,5	Áno
 Rýchle umývanie	Umývanie (40 °C) Oplach (40 °C) Oplach (55 °C)	Kratšie umývanie pre mierne znečistený riad, ktorý nie je potrebné sušiť.	12 g 1 tableta	30	0,781	11,0	Nie

* Program ECO je vhodný na čistenie bežne znečisteného riadu, na toto použitie je najúčinnejším programom z hľadiska kombinovanej spotreby energie a vody a používa sa na posúdenie súladu so smernicami EÚ o ekodizajnu.

Úspora energie

- Predbežné oplachovanie riadu vedie k zvýšenej spotrebe vody a energie a neodporúča sa.
- Pri umývaní riadu v umývačke riadu pre domácnosť sa obvykle spotrebuje menej energie a vody než pri ručnom umývaní riadu, ak sa umývačka riadu pre domácnosť používa podľa návodu.

Spustenie programu

1. Vytiahnite oba koše, naplňte ich riadom a zasuňte ich späť. Odporúčame naplniť najskôr dolný kôš a potom horný.
2. Vložte umývací prostriedok.
3. Pripojte napájací prívod do sieťovej zásuvky. Pre informácie o napájaní pozrite informačný list produktu. Skontrolujte, či je prívod vody spustený naplno.
4. Zavrite dvierka a stlačte tlačidlo napájania.
5. Zvoľte program, rozsvietí sa kontrolka odozvy. Potom zavrite dvierka a umývačka spustí umývací cyklus.

Zmena programu počas umývania

Program je možné zmeniť iba v prípade, že bol spustený len krátky čas, inak sa už mohol uvoľniť prací prostriedok alebo už bola vypustená voda s umývacím prostriedkom. Potom je potrebné umývačku vypnúť a zásobník umývacieho prostriedku znovu naplniť. Ak chcete umývačku resetovať, postupujte podľa nižšie uvedených pokynov:

1. Otvorením dvierok zastavíte umývací cyklus.
2. Stlačte tlačidlo Program dlhšie než tri sekundy, spotrebič sa prepne do režimu voľby programu.
3. Program môžete zmeniť na požadované nastavenie cyklu.

ÚDRŽBA A ČISTENIE

Vonkajšok spotrebiča

Dvere a tesnenie dverí

Tesnenie dvierok pravidelne čistite mäkkou vlhkou handričkou, aby ste odstránili usadeniny potravín. Pri plnení umývačky môžu zvyšky jedla a nápojov odkvapkávať na boky dvierok umývačky. Tieto plochy sú mimo umývacej skrine a voda z ostrekovacích ramien k nim nemá prístup. Pred zatvorením dverí je potrebné zotrieť prípadné usadeniny.

Ovládací panel

V prípade potreby čistenia utrite ovládací panel iba mäkkou vlhkou handričkou.

VAROVANIE:

Nepoužívajte žiadne čistiace prostriedky v spreji, mohli by spôsobiť vniknutie vody do zámky dvierok a do elektrických súčastí. Na vonkajšie povrchy nikdy nepoužívajte abrazívne čistiace prostriedky alebo drôtenky, pretože by mohli poškríbať povrch. Niektoré papierové utierky môžu tiež poškríbať povrch alebo na ňom zanechať stopy.

Vnútro spotrebiča

Filtračný systém

Filtračný systém v spodnej časti umývacej skrine zachytáva hrubé nečistoty z umývacieho cyklu, vrátane cudzích predmetov, ako sú zubné kliešte alebo črepy. Zhromaždené hrubé nečistoty môžu spôsobiť upchanie filtrov. Pravidelne kontrolujte stav filtrov, opatrne odstraňujte cudzie predmety a v prípade potreby čistite časti filtračného systému vodou. Pri čistení filtra postupujte podľa nasledujúcich pokynov.

1. Podržte hrubý filter a otáčaním proti smeru hodinových ručičiek ho odomknite. Zdvihnite filter nahor a vyberte ho z umývačky.
2. jemný filter je možné vytiahnuť zo spodnej časti filtračnej zostavy. Hrubý filter je možné od hlavného filtra oddeliť jemným stlačením výstupkov v hornej časti a jeho vytiahnutím.

- Väčšie zvyšky potravín je možné vyčistiť prepláchnutím filtra pod tečúcou vodou. Na dôkladnejšie čistenie použite mäkkú čistiacu kefu.
- Znovu zmontujte filtre v opačnom poradí než pri demontáži, vymeňte vložku filtra a otočte ju v smere hodinových ručičiek až k zatváracjej šípke.

VAROVANIE:

- Filtre príliš neutahujte. Vráťte filtre späť v správnom poradí, inak by sa do umývačky mohli dostať hrubé nečistoty a spôsobiť upchanie.
- Nikdy nepoužívajte umývačku bez nasadených filtrov. Nesprávna výmena filtra môže znížiť úroveň výkonu spotrebiča a poškodiť riad a spotrebič.

Ostrekovacie ramená

Pravidelné čistenie ostrekovacích ramien od chemikálií z tvrdej vody je veľmi dôležité, pretože vznikajúci vodný kameň zanáša trysky a ložiská.

Ak chcete vyčistiť ostrekovacie ramená, postupujte podľa nižšie uvedených pokynov:

- Ak chcete odobrať horné ostrekovacie rameno, podržte maticu uprostred a otáčajte ostrekovacím ramenom proti smeru hodinových ručičiek.
- Ak chcete spodné ostrekovacie rameno vybrať, vytiahnite ho smerom hore.
- Opláchnite ostrekovacie ramená v teplej mydlovej vode a jemnou kefou očistite trysky.

RIEŠENIE ŤAŽKOSTÍ

Ešte skôr ako zavoláte do servisu

Ak si prečítate obsah tabuliek na nasledujúcich stránkach, možno nebudete musieť volať do servisu.

Problém	Možná príčina	Čo robiť
Umývačka sa nespustí.	Spálená poistka alebo istič rozpojil obvod.	Vymeňte poistku alebo zapnite istič. Odpojte všetky ostatné elektrospotrebiče zdieľajúce rovnaký sieťový okruh s umývačkou.
	Napájanie nie je zapnuté.	Skontrolujte, či je umývačka zapnutá a dvierka sú riadne zatvorené. Skontrolujte, či je zástrčka napájacieho prívodu riadne pripojená do sieťovej zásuvky.
	Tlak vody je nízky.	Skontrolujte, či je prívod vody riadne pripojený a prívodný ventil otvorený.
	Dvierka umývačky nie sú riadne zatvorené.	Skontrolujte, či sú dvierka riadne zatvorené.
Z umývačky sa neodčerpáva voda.	Prekrútená alebo zachytená vypúšťacia hadica.	Skontrolujte vypúšťaciu hadicu.
	Filter je upchatý.	Skontrolujte filtračný systém.
	Kuchynská výlevka je upchatá.	Skontrolujte kuchynskú výlevku, či dobre vypúšťa vodu. Ak voda z výlevky neodteká, obráťte sa na inštalatéra.

Problém	Možná příčina	Čo robiť
Mýdliny v nádržke.	Zlý umývací prostriedok.	Používajte iba špeciálne prostriedky do umývačiek, aby sa netvorila pena. Ak sa pena vytvorí, otvorte dvierka umývačky a nechajte penu zmiznúť. Nalejte do nádržky 1 l studenej vody. Zavrite dvierka umývačky a zvolte ľubovoľný program. Spočiatku umývačka vypustí vodu. Po dokončení fázy vypúšťania otvorte dvierka a skontrolujte, či sa pena stratila. V prípade nutnosti opakujte.
	Pretečené leštidlo.	Pretečené leštidlo vždy ihneď utrite.
Zhrdzavené vnútro nádržky	Mohol byť použitý umývací prostriedok s farbivom.	Uistite sa, že používate prostriedok bez farbiva.
Biely potah na vnútornom povrchu.	Vodný kameň z tvrdej vody.	Na vyčistenie vnútra použite hubku navlhčenú v čistiacom prostriedku pre umývačky. Použite gumové rukavice. Nikdy nepoužívajte iný čistiaci prostriedok než pre umývačky, zabránite tak peneniu alebo vzniku mýdlin.
Na príboroch zostávajú škvrny od hrdze.	Tieto príbory nie sú odolné proti korózii.	V umývačke riadu neumývajte predmety, ktoré nie sú odolné proti korózii.
	Po pridaní soli sa umývačka nespustí. Do umývacieho cyklu sa dostala soľ.	Po pridaní soli vždy spustite umývací program bez riadu. Po pridaní soli do umývačky riadu nezapínajte funkciu Turbo (ak je k dispozícii).
	Veko zmäkčovadla soli je uvoľnené.	Skontrolujte, či je veko zmäkčovadla pevne zaistené.
Klepanie v umývačke riadu	Ostrekovacie rameno naráža na nejaký predmet v koši.	Prerušte program a preusporiadajte riad, ktorý prekáža ostrekovaciemu ramenu v pohybe.
Chrupčanie v umývačke riadu	Porcelánový riad je vnútri príliš voľne.	Prerušte program a nanovo usporiadajte riad.
Tlčenie vo vodných trubiciach.	Môže byť spôsobené miestnou inštaláciou alebo veľkosťou prierezu potrubia.	Na funkciu umývačky to nemá žiadny vplyv. V prípade pochybností sa obráťte na kvalifikovaného inštalátora.

Problém	Možná příčina	Čo robiť
Riad nie je čistý.	Riad nebol správne uložený.	Pozrite prípravu a vkladanie riadu.
	Nebol zvolený dostatočne výkonný program.	Zvoľte výkonnejší program.
	Neuvoľnilo sa dostatočné množstvo umývacieho prostriedku.	Pridajte viac umývacieho prostriedku alebo použite iný typ.
	Kusy riadu prekážajú v pohybe ostrekovacích ramien.	Usporiadajte riad tak, aby nebránil ostrekovacím ramenám v pohybe.
	Filtračný systém naspodku umývacieho priestoru nie je správne zosadený alebo nie je čistý. To môže spôsobiť zablokovanie ostrekovacích trysiek.	Vyčistite filter alebo zosadte riadne jeho časti dohromady. Vyčistite ostrekovacie trysky.
Zakalenie na sklenenom riade.	Kombinácia mäkkej vody a nadbytočného množstva umývacieho prostriedku.	Ak používate mäkkú vodu, použite na umývanie skla menej umývacieho prostriedku a zvoľte kratší program.
Na riade a pohároch sa objavujú biele škvrny.	Oblasť s tvrdou vodou môže spôsobiť usadzovanie vodného kameňa.	Skontrolujte nastavenie zmäčkovadla vody alebo stav naplnenia zásobníka soli.
Čierne alebo sivé škvrny na riade.	Hliníkové predmety sa dostali do styku s ostatným riadom.	Na odstránenie týchto škvŕn použite jemné abrazívne čistiadlo.
V nádobke dávkovača zostal umývací prostriedok.	Riad zakrýval nádobku dávkovača.	Preusporiadajte riad.

Problém	Možná příčina	Čo robiť
Riad sa nevyсуší.	Nesprávne uloženie do koša.	Ak sa na riade objavia zvyšky umývacieho prostriedku, používajte rukavice, aby ste predišli podráždeniu pokožky.
	Riad bol vybratý príliš skoro.	Nevyberajte riad bezprostredne po skončení umývania. Pootvorte dvierka, aby mohla uniknúť para. Riad vyberte vtedy, keď je vnútorná teplota bezpečná na dotyk. Najskôr vysypte spodný kôš, aby ste zabránili odkvapkávaniu vody z horného koša.
	Bol zvolený nevhodný program.	Pri krátkom programe je teplota umývania nižšia, čo znižuje umývací výkon. Zvoľte program s dlhším procesom umývania.
	Použitie príborov s nekvalitným povrchom	Sušenie takýchto predmetov je omnoho náročnejšie. Takéto príbory a riad nie sú vhodné na umývanie v umývačkách.

VAROVANIE:

Vlastná alebo neodborná oprava môže spôsobiť vážne ohrozenie bezpečnosti používateľa spotrebiča a ovplyvniť záruku.

CHYBOVÉ KÓDY A ICH VÝZNAM

Kód	Význam	Možná příčina
E1	Napúšťanie vody trvá dlhšie než sa čakalo.	Ventil je uzatvorený, tlak vody je príliš nízky alebo došlo k prerušeniu dodávky vody.
E3	Nepodarilo sa dosiahnuť požadovanú teplotu.	Porucha ohrievacieho telesa.
E4	Pretečenie vody.	Došlo k úniku vody.
Ed	Chyba elektronickej komunikácie.	Došlo ku skratu alebo poruche elektronickeho obvodu.

VYUŽITIE A LIKVIDÁCIA ODPADU

Baliaci papier a vlnitá lepenka – odovzdajte do zberných surovín. Prebalová fólia, PE vrecúška, plastové diely – do zberných kontajnerov na plasty.

LIKVIDÁCIA VÝROBKU PO UKONČENÍ ŽIVOTNOSTI

Likvidácia použitých elektrických a elektronických zariadení (platí v členských krajinách EÚ a ďalších európskych krajinách so zavedeným systémom triedenia odpadu)

Vyobrazený symbol na produkte alebo na obale znamená, že s produktom by sa nemalo nakladať ako s domovým odpadom. Produkt odovzdajte na miesto určené na recykláciu elektrických a elektronických zariadení. Správnu likvidáciu produktu zabránite negatívnym vplyvom na ľudské zdravie a životné prostredie. Recyklácia materiálov prispieva k ochrane prírodných zdrojov. Viac informácií o recyklácii tohto produktu vám poskytne obecný úrad, organizácia na spracovanie domového odpadu alebo predajné miesto, kde ste produkt kúpili.



08/05



Tento výrobok spĺňa požiadavky smerníc EÚ o elektromagnetickej kompatibilite a elektrickej bezpečnosti.

Návod na obsluhu je k dispozícii na webových stránkach www.ecg-electro.eu.
Zmena textu a technických parametrov vyhradená.

Kontakt na odborný servis tohto produktu nájdete v priloženom Záručnom liste alebo na stránkach www.ecg-electro.eu.

- Záruka na tento výrobok je 24 mesiacov.
- Náhradné diely uvedené v EÚ 2019/2022 sú k dispozícii 7 alebo 10 rokov podľa typu náhradných dielov.
- Prístup do databázy produktov, kde sú uložené informácie k tomuto výrobku podľa EÚ 2019/2017, môžete získať načítaním QR kódu na energetickom štítku.

www.ecg-electro.eu

Deutsch

K+B Progres, a.s./AG.
Barbaraweg 2, DE-93413 Cham
Bei Beschwerden rufen Sie die Telefonnummer
09971/4000-6080 an. (Mo – Fr 9:00 – 16:00)

Čeština

K+B Progres, a.s.
U Expertu 91
250 69 Klíčany
tel.: +420 272 122 111
e-mail: ECG@kbexpert.cz

Magyar

K+B Progres, a.s.
U Expertu 91
250 69 Klíčany, Czech Rep.
tel.: +420 272 122 111
e-mail: ECG@kbexpert.cz

Slovenčina

Distribútor pre SR: K+B Progres, a. s., organizačná zložka
Mlynské Nivy 71
821 05 Bratislava
e-mail: ECG@kbexpert.cz

■ The manufacturer takes no responsibility for printing errors contained in the product's user's manual. ■ Der Importeur haftet nicht für Druckfehler in der Bedienungsanleitung des Produkts. ■ Výrobce neručí za tiskové chyby obsažené v návodu k použití výrobku. ■ Agyártó nem felel a termék használati útmutatójában fellelhető nyomdahibákért. ■ Dovozca neručí za tlačové chyby obsiahnuté v návode na použitie výrobku.