

Haier



Upright freezer
User Manual

Gefrierschrank
Bedienungsanleitung

Congélateur vertical
Manuel de l'utilisateur

Freezer Verticale
Manuale d'uso

Skříňová mraznička
Návod k obsluze

Congelador vertical
Manual del usuario

Vrijstaande vriezer
Gebruikershandleiding

Zamrażarka pionowa
Instrukcja obsługi

Congelador vertical
Manual do utilizador

Vertikálna mraznička
Návod na použitie

EN

DE

FR

IT

CZ

ES

NL

PL

PT

SK



User Manual

Upright Freezer

H2F385*F

H2F385*D

* - Colour code

EN

Haier

Thank you for purchasing a Haier Product.

Please read these instructions carefully before using this appliance. The instructions contain important information which will help you get the best out of the appliance and ensure safe and proper installation, use and maintenance.

Keep this manual in a convenient place so you can always refer to it for the safe and proper use of the appliance.

If you sell the appliance, give it away, or leave it behind when you move house, make sure you also pass this manual so that the new owner can become familiar with the appliance and safety warnings.

WARNING: Risk of fire/flammable material. The symbol indicates there is a risk of fire since flammable materials are used. Take care to avoid causing a fire by igniting flammable material.

Legend



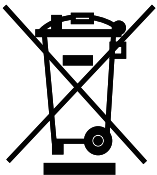
General information and tips



Warning – Important Safety information



Environmental information



Disposal

Help protect the environment and human health. Put the packaging in applicable containers to recycle it. Help to recycle waste of electrical and electronic appliances. Do not dispose appliances marked with this symbol with the household waste. Return the product to your local recycling facility or contact your municipal office.



Warning!

Risk of injury or suffocation!

Refrigerants and gases must be disposed of professionally. Ensure that the tubing of the refrigerant circuit is not damaged before being properly disposed of. Disconnect the appliance from the mains supply. Cut off the mains cable and dispose of it. Remove the door, the door catch and seals, to prevent children and pets to get closed in the appliance.

| | |
|------------------------------|----|
| 1 - Safety | 4 |
| 2 - Intended Use..... | 11 |
| 3 - Product Description..... | 12 |
| 4 - Use..... | 13 |
| 5 - Equipment | 17 |
| 6 - Care and Cleaning..... | 18 |
| 7 - Troubleshooting..... | 20 |
| 8 - Installation | 23 |
| 9 - Technical Data | 27 |

Before switching on the appliance for the first time, read the following safety hints!



WARNING!

Before first use

- ▶ Make sure there is no transport damage.
- ▶ Remove all packaging and keep out of children's reach.
- ▶ Wait at least 2 hours before installing the appliance in order to ensure the refrigerant circuit is fully efficient.
- ▶ Handle the appliance always with at least two persons because it is heavy.

Installation

- ▶ The appliance should be placed in a well-ventilated place. Ensure a space of at least 5 cm above and around the appliance.
- ▶ **WARNING:** Keep ventilation openings in the appliance or in the in-built structure clear of obstruction.
- ▶ Never place the appliance in a damp area or location where it might be splashed with water. Clean and dry water splashes and stains with a soft clean cloth.
- ▶ Do not install the appliance in direct sunlight or in the near of heat sources (e.g. stoves, heaters).
- ▶ Install and level the appliance in an area suitable for its size and use.
- ▶ Make sure that the electrical information on the rating plate agrees with the power supply. If it does not, contact an electrician. The appliance is operated by a 220-240 VAC/50 Hz power supply.
- ▶ Abnormal voltage fluctuation may cause the appliance to fail to start, or damage to the temperature control or compressor, or there may be an abnormal noise when operating. In such case, an automatic regulator shall be mounted.
- ▶ Do not use multi-plug adapters and extension cables.
- ▶ **WARNING:** Do not locate multiple portable socket outlets or portable power supplies at the rear of the appliance.
- ▶ **WARNING:** When positioning the appliance, ensure the supply cord is not trapped or damaged.
- ▶ Do not step on the power cable.
- ▶ Ensure that the power cable is not trapped by the freezer.
- ▶ Do not cover air vent openings.
- ▶ Use a separate earthed socket for the power supply which is easily accessible. The appliance must be earthed.
- ▶ On refrigerating mode without a 4-star compartment: this refrigerating appliance is not suitable for freezing foodstuffs; on freezing mode with a 4-star compartment: this freezing appliance is not suitable for refrigerating foodstuffs.

**WARNING!**

- ▶ **WARNING:** Do not damage the refrigerant circuit.

Daily use

- ▶ This appliance can be used by children aged from 8 years and above and persons with reduced physical, sensory or mental capabilities or lack of experience and knowledge if they have been given supervision or instruction concerning use of the appliance in a safe way and understand the hazards involved.
- ▶ Children shall not play with the appliance.
- ▶ Children aged from 3 to 8 years are allowed to load and unload refrigerating appliances, but not allowed to clean and install the refrigerating appliances.
- ▶ Keep away children under 3 years of age from the appliance unless they are constantly supervised.
- ▶ Cleaning and user maintenance shall not be made by children without supervision.
- ▶ The appliance must be positioned so that the plug is accessible.
- ▶ If coal gas or other inflammable gas is leaking into vicinity of the appliance, turn off the valve of the leaking gas, open the doors and windows and do not unplug or plug in the power cable of the freezer or any other appliance.
- ▶ Notice that the appliance is set for operation at the specific ambient range between 10 °C and 43°C. The appliance may not work properly if it is left for a long period at a temperature above or below the indicated range.
- ▶ Do not place unstable articles (heavy objects, containers filled with water) on top of the freezer, to avoid personal injury caused by falling or electric shock caused by contact with water.
- ▶ Do not store or use inflammable, explosive or corrosive materials in the appliance or in the vicinity.
- ▶ Do not lift the appliance by its handles.
- ▶ Never place the appliance horizontally on the ground when moving it.
- ▶ Before any operation, first unplug the appliance from the mains.
- ▶ Do not tilt the appliance more than 45 ° to prevent damage of the cooling system when moving the appliance.
- ▶ Unplug the appliance in the event of a power interruption or before cleaning. Allow at least 7 minutes before restarting the appliance, as frequent starting may damage the compressor.
- ▶ Check the condition of food if a warming in the freezer has taken place.



WARNING!

- ▶ Do not pull on the door shelves. The door may be pulled slant, the door shelves, may be pulled away, or the appliance may topple.
- ▶ Open and close the door only with the handles. The gap between the door and the cabinet is very narrow. Do not put your hands in these areas to avoid pinching your fingers. Open or close the appliance doors only when there are no children standing within the range of door movement.
- ▶ Never store bottled beer or beverages in the freezer, as these will burst during freezing.
- ▶ Do not store explosive substances such as aerosol cans with a flammable propellant in this appliance.
- ▶ Do not store medicines, bacteria or chemical agents in the appliance. This appliance is a household appliance. It is not recommended to store materials that require strict temperatures.
- ▶ Never store liquids in bottles or cans (besides high percentage spirits) especially carbonated beverages in the freezer as these will burst during freezing.
- ▶ Do not set unnecessarily low temperature in the freezer compartment. Minus temperatures may occur at high settings. Attention: Bottles can burst.
- ▶ Do not touch frozen goods with wet hands (wear gloves). Especially do not eat ice lollies immediately after removal from the freezer compartment. There is the risk to freeze or the formation of frost blister. **FIRST aid:** keep immediately under running cold water. Do not pull away!
- ▶ Do not touch the inside surface of the freezer storage compartment when in operation, especially with wet hands, as your hands may freeze onto the surface.
- ▶ **WARNING:** Do not use electrical devices inside the food storage compartments of the appliance, unless they are of the type recommended by the manufacturer.
- ▶ **WARNING:** The lamps can only be replaced by manufacturer, together with a part of the appliance.
- ▶ **WARNING:** If you are unsure of the refrigerant type check the rating plate in the unit. It is hazardous for anyone other than an Authorized Service Person to service this appliance. In Queensland – the authorized Service Person **MUST** hold a Gas Work Authorization for hydro-carbon refrigerants. to carry out Servicing or repairs which involve the removal of covers.

**WARNING!****Maintenance / cleaning**

- ▶ Make sure children are supervised if they carry out cleaning and maintenance.
- ▶ Disconnect the appliance from the electrical supply before undertaking any routine maintenance. Allow at least 7 minutes before restarting the appliance, as frequent starting may damage the compressor.
- ▶ Hold the plug, not the cable, when unplugging the appliance.
- ▶ Do not clean the appliance with hard brushes, wire brushes, detergent powder, petrol, amyl acetate, acetone and similar organic solutions, acid or alkaline solutions. Please clean with special freezer detergent to avoid damage.
- ▶ Do not scrape off frost and ice with a sharp objects. Do not use sprays, electric heaters like heater, hair dryer, steam cleaners or other sources of heat in order to avoid damage to the plastic parts.
- ▶ **WARNING:** Do not use mechanical devices or other means to accelerate the defrosting process, other than those recommended by the manufacturer.
- ▶ If the supply cord is damaged, it must be replaced by the manufacturer, its service agent or similarly qualified persons in order to avoid a hazard.
- ▶ Do not try to repair, disassemble or modify the appliance by yourself. In case of repair please contact our customer service.
- ▶ Eliminate the dust on the back of the unit at least once in the year to avoid hazard by fire, as well as increased energy consumption.
- ▶ Do not spray or flush the appliance during cleaning.
- ▶ Do not use water spray or steam to clean the appliance.
- ▶ Do not clean the cold glass shelves or glass door with hot water. Sudden temperature change may cause the glass to break.
- ▶ Disconnect the appliance from the power supply before cleaning.
- ▶ In case of heating check the condition of frozen goods.
- ▶ Before maintenance, deactivate the appliance and disconnect the mains plug from the mains socket.
- ▶ Electrical equipment should be serviced only by qualified electrical experts, because improper repairs can cause considerable consequential damages.

Refrigerant gas information



WARNING!

The appliance contains the flammable refrigerant ISOBUTANE (R600a). Make sure the refrigerant circuit is not damaged during transportation or installation. Leaking refrigerant may cause eye injuries or ignite. If a damage has occurred, keep away open fire sources, thoroughly ventilate the room, do **not** plug or unplug the power cords of the appliance or any other appliance. Inform the customer service.

In case of eyes get into contact with the refrigerant, rinse it immediately under running water and call immediately the eye specialist.

WARNING: The refrigeration system is under high pressure. Do not tamper with it. Since the flammable refrigerants are used, please, install, handle and service the appliance strictly according to the instruction and contact the professional agent or our after-sales service to dispose of the appliance.



WARNING!

- ▶ Taking care to avoid causing a fire by igniting flammable material.
- ▶ **WARNING:** When positioning the appliance, ensure the supply cord is not trapped or damaged.
- ▶ **WARNING:** Do not locate multiple portable socket-outlets or portable power supplies at the rear of the appliance.
- ▶ Do not store explosive substances such as aerosol cans with a flammable propellant in this appliance.
- ▶ For flammable refrigerants is used in the freezer, please be careful when installing, handling, serving and recycling the appliance.
- ▶ Please contact to the service agent to dispose the appliance because the flammable blowing gas was used.

Intended use


This appliance is intended to be used in household and similar applications such as

- staff kitchen areas in shops, offices and other working environments;
 - farm houses and by clients in hotels, motels and other residential type environments;
 - bed and breakfast type environments;
 - catering and similar non-retail applications.
- ▶ If the appliance is not used for an extended period of time.
- Take out the food.
 - Unplug the power cord.
 - Clean the appliance as described above.
 - Keep the doors open to prevent the creation of bad odours inside.
- ▶ To ensure the safe preservation of foodstuffs, please comply with this instruction for use.
- ▶ The details on the most appropriate part in the compartment of the appliance where specific types of food shall be stored, considering the distribution of temperature that can be present in the different compartments of the appliance are in the other part of the manual.
- ▶ To avoid contamination of food, please respect the following instructions:
- Opening the door for long periods can cause a significant increase of the temperature in the compartments of the appliance.
 - Clean regularly surfaces that can come in contact with food and accessible drainage systems.
 - Store raw meat and fish in suitable containers in the freezer, so that it is not in contact with or drip onto other food.
 - Two-star frozen-food compartments are suitable for storing pre-frozen food, storing or making ice cream and making ice cubes.
- ▶ On refrigerating mode without a 4-star compartment: this refrigerating appliance is not suitable for freezing foodstuffs.

- One-, two- and three-star compartments are not suitable for the freezing of fresh food.
- If the refrigerating appliance is left empty for long periods, switch off, defrost, clean, dry, and leave the door open to prevent mould developing within the appliance.

Disposal



The  symbol on the product or on its packaging indicates that this product may not be treated as household waste. Instead it shall be handed over to the applicable collection point for the recycling of electrical and electronic equipment. By ensuring this product is disposed of correctly, you will help prevent potential negative consequences for the environment and human health, which could otherwise be caused by inappropriate waste handling of this product. For more detailed information about recycling of this product, please contact your local city office, your household waste disposal service or the shop where you purchased the product.

Since the flammable insulation blowing gases are used, please contact the professional agent or our after-sale service to dispose of the appliance.

WARNING!

Risk of injury of suffocation!

Refrigerants and gases must be disposed of professionally. Ensure that the tubing of the refrigerant circuit is not damaged before being properly disposed of. Disconnect the appliance from the mains supply. Cut off the mains cable and dispose of it. Remove the trays and drawers as well as the door catch and seals to prevent children and pets to get closed in the appliance.

2.1 Intended Use

"This appliance is intended to be used in household and similar applications such as

- staff kitchen areas in shops, offices and other working environments;
- farm houses and by clients in hotels, motels and other residential type environments;
- bed and breakfast type environments;
- catering and similar non-retail applications.

This appliance is intended for freezing food. It has been designed exclusively for use in dry-interior house-holds. It is not intended for commercial or industrial use.

Changes or modifications to the device are not allowed. Unintended use may cause hazards and loss of warranty claims.

2.2 Accessories

Check the accessories and literature in accordance with this list:

2.2



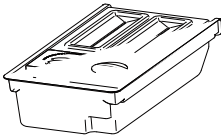
Energy label



Warranty card



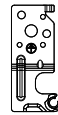
User manual



Twist Ice Maker



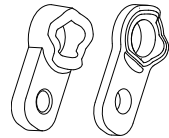
Top left trim end cover



Upper right hinge for door reversibility



Upper right hinge cover



Axe covers



Notice: Difference

Due to technical changes and different models, some of the illustrations in this manual may differ from your model.



- 1 LED light
- 2 Air-duct cover
- 3 Glass shelves
- 4 Freeze storage bins
- 5 Adjustable feet
- 6 Adjustable door shelves
- 7 Rating plate
- 8 Door handle
- 9 Twist ice maker

Note : This product contains a light source of energy efficiency class <G>.

4.1 Before first use

- ▶ Remove all packaging materials, keep them out of children reach and dispose them in an environmentally friendly manner.
- ▶ Clean the inside and outside of the appliance with water and a mild detergent before putting any food in it.
- ▶ After the appliance has been levelled and cleaned, wait for at least 2 hours before connecting it to the power supply. See Section INSTALLATION.
- ▶ Precool the compartment for 2 hours at high settings before loading with food. The function Super Freeze helps to cool down the compartment quickly.



Different foods should be placed in different areas according to their properties (Fig: 4.1). The freezer box is recommended to store meat, fish, pizza and other frozen foods.

Food can be stored in the freezer at a temperature of at least -18 C for 2 to 12 months, depending on its properties (e.g., meat: 3-12 months, vegetables: 6-12 months)

In order to avoid expiration of storage periods, please note the freezing date, time limit and name of the food on the packaging according to the storage periods of different foods.

4.2 Switching the appliance on /off

The appliance is in operation as soon as it is connected to the power supply.

- ▶ The freezer temperature is automatically set to -18 C . This is the recommended setting and the ideal temperature for frozen goods. If desired, you can change the temperature manually. Please see ADJUSTING THE TEMPERATURE.



Notice: Presettings

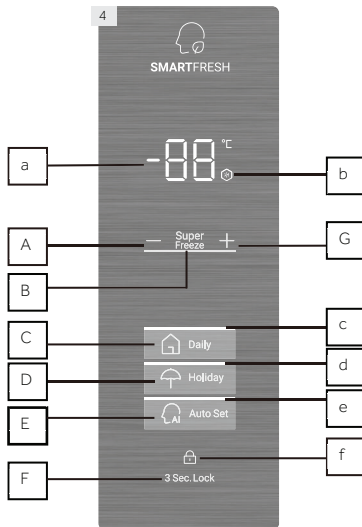
1. The appliance is preset to the recommended temperature of -18 C . Under normal ambient condition you don't need to change the temperature.
2. When the appliance is switched on after being disconnected from the main power supply, it may take up to 12 hours for the correct temperature to be reached.

Empty the appliance before switching off. To switch off the appliance, pull the power cord out of the power socket.

4.3 Standby-mode of display

When the door is closed the display screen turns off automatically 30 seconds after without operation. The display locks automatically. It lights up automatically when pressing any key or opening the door.

4.4 Control panel (Fig. 4)



Icons Description

- a: Temperature display icon
- b: Super Freeze icon
- c: Daily function icon
- d: Holiday icon
- e: Auto Set icon
- f: Lock icon

Key Description

- A: Decreasing temperature setting key: Press to decrease the temperature
- B: Super Freeze key : Press to activate the Super Freeze function
- C: Daily function key : Press to activate Daily functions
- D: Holiday key : Press to activate Holiday function
- E: Auto Set key : Press to activate Auto Set function
- F: Lock key : Press and hold for 3 seconds to lock or unlock
- G: Increasing temperature setting key : Press to increase the temperature

4.5 Display lock and unlock

Automatic locking

The control panel can automatically enter the Lock function. Display is automatically locked after 30 seconds without operation.

Manual locking

When the display is unlocked, press "Lock" (F) and hold for 3 seconds, after a beep, "Lock"(f) icon is light, display is locked. When the display is locked, press "Lock" (F) and hold for 3 seconds, after a beep, the " Lock " (f) icon is off, and the display is unlocked.



Notice: Display lock

When display is locked, functions such as temperature adjustment or function setting are disabled. When above operation is attempted, "Lock"(f) icon will blink for 3 times to remind that the display is locked.

4.6 Temperature setting

The temperature range of this freezer can be set between -14°C ~ -24°C ; When display is unlocked, in the daily function, press "Decreasing temperature setting"(A), after a beep, "Temperature display" icon (a) starts to flash and enters the temperature setting mode. And then every time you press the "Decreasing Temperature Setting" (A), the buzzer beeps, the temperature is lowered by 1°C , and the lowest value is -24°C .

After the temperature is set, the temperature set value is determined and stops flashing after 5 seconds without operation.

After the display is unlocked, in the Daily function, press "Increasing temperature setting" (G), after a beep, the icon "Temperature display" (a) starts to flash and enter temperature setting mode, and then every time you press "Increasing temperature setting" (G), the buzzer beeps, the temperature increases by 1°C , up to -14°C . After the temperature is set, the temperature set value is determined and icon (a) stops blinking after 5 seconds without operation.

4.7 Daily function (C)

The appliance is under Daily function as soon as it is connected to the power supply for the first time, and "Daily" icon (c) lights up. Only under this function, the temperature can be set.

4.8 Super Freeze function (B)

Super Freeze mode is optimal for preserving food nutrition, it could freeze food in less time. Before putting lots of food inside the freezer, activate Super Freeze function to have lower temperature, to make sure better freeze result.

When display is unlocked, by touching "Super Freeze" (B), the Super Freeze icon (b) will be light, the freezer works in Super Freeze mode. To exit Super Freeze function manually repeat steps above. Otherwise, the function will exit automatically after 50 hours.

If you have a large amount of food to freeze at one time, it is recommended that the function be activated 24 hours before inserting food. Function will stop automatically after 50 hours or manually. Power consumption will increase when this function is on.

Under Super Freeze mode, freezer operating temperature varies depend on the amount of food load and ambient condition. Temperature inside freezer compartment could potentially be pulled down to -37°C .



Notice: Super Freeze

1. In Super Freeze mode, temperature could not be adjusted. If you do so, Super Freeze icon will flash for 3 times to remind that the freezer is in Super Freeze mode.
2. In the Super Freeze mode, if the Auto Set function or Holiday is set, "Super freeze" (b) is off, the Super Freeze function automatically exits, and the Auto Set or Holiday function is entered.

4.9 Holiday function (D)

When display is unlocked, by touching "Holiday" (D), the Holiday icon (d) will be light, the freezer works in Holiday function. In the Holiday mode, touching "Holiday" (D), the Holiday icon (d) is off, and the freezer exits the Holiday function. In the Holiday mode, if the temperature before entering Holiday is higher than $-18\text{ }^{\circ}\text{C}$, then after entering the Holiday function, the temperature is automatically set to $-18\text{ }^{\circ}\text{C}$; if the temperature before entering Holiday is lower than $-18\text{ }^{\circ}\text{C}$, then after entering the Holiday function, the temperature is unchanged.



Notice: Holiday function

1. In Holiday mode, temperature could not be adjusted. If you do so, Holiday icon will blink for 3 times to remind that the freezer is in Holiday mode.
2. In Holiday mode, if Auto Set, Daily or Super Freeze function is set, Holiday icon (d) is off, Holiday function automatically exits, and enters Auto Set, Daily or Super Freeze function.

4.10 Auto Set function (E)

When display is unlocked, by touching "Auto Set" (E), "Auto Set" icon (e) is light, the freezer works in Auto Set function. In Auto Set mode, by touching "Auto Set" (E), icon (e) is off, and the freezer exits the Auto Set function.

Under the Auto Set function, the freezer operates at $-18\text{ }^{\circ}\text{C}$ setting.



Notice: Auto Set function

1. In Auto Set mode, temperature could not be adjusted. If you do so, Auto Set icon will blink for 3 times to remind that the freezer is in Auto Set mode.
2. In Auto Set mode, if the Holiday, Daily or Super Freeze function is set, "Auto Set" (e) is off, the Auto Set function automatically exits and enters Holiday, Daily or Super Freeze function.

4.11 Display control function

When the door is closed the display screen turns off automatically 30 seconds after without operation. The display locks automatically. It lights up automatically when touching any key or opening the door.

4.12 Power-off memory

This freezer has power-off memory, settings before power-off will be memorized. When power is back on, freezer will return to settings before power-off and continue to function. Lock is not memorized, after power is back on, display is unlocked.

4.13 Door open alarm

When freezer is kept open for more than 1 minute, beeper will make 3 beeps with interval of 0.5 second. The beeps will be repeated every 30 seconds if door is kept open. The beeps will stop until door is closed or after 7 mins of door opening. The beeper stops beeping and freezer light goes off.

4.14 High temperature alarm

This freezer is equipped with high temperature alarm. In freeze mode or Super Freeze mode, if temperature display icon shows "HH" with beeps, by touching any key, the beep will stop, but temperature display icon keeps blinking, that means temperature in the freezer is too high. Please check if the door is tightly closed or if large amount of warm food is put inside the freezer. After a period, temperature display icon will stop blinking. If it does not stop blinking "HH" for a long time, and beeps that are manually cancelled rings again, please contact aftersales service.

4.15 Error indication

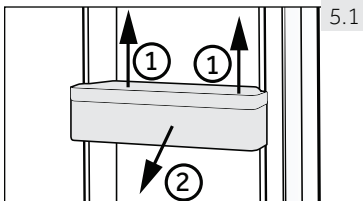
When the display icon shows E1, E2 and other codes and flashes, it indicates that the freezer is faulty. In this situation, the freezer could still freeze food but user should contact aftersales service as soon as possible for optimal control of the freezer.



4.16 Energy saving tips

- ▶ Make sure the appliance is properly ventilated (see INSTALLATION).
- ▶ Do not install the appliance in direct sunlight or in the near of heat sources (e.g. stoves, heaters).
- ▶ Avoid unnecessarily low temperature in the appliance. The energy consumption increases the lower the temperature in the appliance is set.
- ▶ Allow warm food to cool down before placing it in the appliance.
- ▶ Open the appliance door as little and as briefly as possible.
- ▶ Make sure the door always closes correctly and unimpaired by food position. Keep door gasket clean.
- ▶ Defreeze frozen food in a fridge.
- ▶ Clean the rear of the appliance regularly. Dust increases energy consumption.
- ▶ The most energy-saving configuration requires drawer, food box and shelves to be positioned in the appliance on factory-fresh condition, and food to be placed without blocking the air outlet of the duct.

5-Equipment

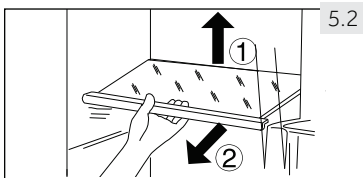


5.1

5.1 Removable door shelves

The door shelves can be removed for cleaning: Place hands on each side of the shelf, lift it upwards (1) and pull it out (2)(Fig. 5.1).

In order to insert the door shelf, the above steps are carried out in reverse order.



5.2

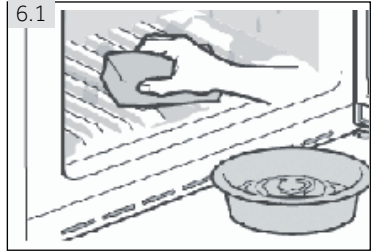
5.2 Glass shelves

1. To take out a shelf, remove it by first uplifting its hind edge (1) and pulling it out (2) (Fig. 5.2).
2. To reinstall it, put it on the lugs on both sides and push it to the most rearward position until the rear of the shelf is fixed inside the slots in the sides.

6.1 General

Clean the appliance when only little or no food is stored and unplug the appliance .

- ▶ Always keep the door gasket clean.
- ▶ Clean the inside and housing of the appliance with a sponge damped in warm water and neutral detergent.



1. Please scrub the interior and exterior of the freezer, including door gasket, door shelves, glass shelves, boxes and so on, with a soft towel or sponge dipped in warm water (you may add neutral detergent into the warm water).
2. If there is liquid spilled, remove all the contaminated parts, directly rinse with the flow water, dry and place it back into the freezer.
3. If there is spilled cream (such as the cream, melting ice cream), please remove all the contaminated parts, put into the warm water with about 40 °C for some time, then rinse with the flow water, dry and place it back into the freezer.
4. In case some small part or component gets stucked inside of the freezer (between shelves or storage bins), use small soft brush to release it. If you could not reach the part, please contact Haier service.

6.2 Non-use for a longer period

If the appliance is not used for an extended period of time:

- ▶ Take out the food.
- ▶ Unplug the power cord.
- ▶ Clean the appliance as described above.
- ▶ Keep the door and freezer storage bins open to prevent the creation of bad odours inside.

Remove the door of the appliance (open the door and hold it before removing the screws) to avoid children entering into the appliance and getting locked in.



Notice: Switch off

To ensure the service life of the appliance, turn it off only if strictly necessary.

6.3 Moving the appliance

1. Remove all food and unplug the appliance.
2. Secure shelves and other moveable parts in the freezer with adhesive tape.
3. Close the door and secure it with tape.
4. Do not tilt the freezer more than 45° to avoid damaging the refrigerating system.
5. Wrap the feet of the freezer to avoid scratching the floor. Never move the freezer forcefully.

Many occurring problems could be solved by yourself without specific expertise. In case of a problem please check all shown possibilities and follow below instructions before you contact an after sales service.

The acoustic alarm can be switched of by pressing any button.

7.1 Troubleshooting

| Problem | Possible Cause | Possible Solution |
|---|--|--|
| The compressor does not work. | <ul style="list-style-type: none"> • Mains plug is not connected in the mains socket. | <ul style="list-style-type: none"> • Connect the mains plug. |
| The appliance runs frequently or for a too long period of time. | <ul style="list-style-type: none"> • The indoor or outdoor temperature is too high. • The appliance has been off power for a period of time. • The door of the appliance is not tightly closed. • The door has been opened too frequently or for too long. • The temperature setting is too low. • The door gasket is dirty, worn, cracked or mis-matched. • The required air circulation is not guaranteed. • The interior is covered in ice. | <ul style="list-style-type: none"> • In this case, it is normal for the appliance to run longer. • Normally, it takes 8 to 12 hours for the appliance to cool down completely. • Close the door and ensure the appliance is located on a level ground and there is no food or container jarring the door. • Do not open the door too frequently. • Set the temperature higher until a satisfactory temperature is obtained. It takes 24 hours for the temperature to become stable. • Clean the door gasket or replace them by the customer service. • Ensure adequate ventilation. • Defrost the appliance. |
| The appliance makes abnormal sounds. | <ul style="list-style-type: none"> • The appliance is not located on level ground. • The appliance touches an object close to it. • The appliance stands on a wooden floor or near wooden walls. | <ul style="list-style-type: none"> • Level the appliance. • Remove objects around the appliance. • Wood amplifies the sound. Set the appliance somewhere else. |
| The appliance makes a clicking sound | <ul style="list-style-type: none"> • This is normal. It is caused by the refrigeration unit switching on or off. | <ul style="list-style-type: none"> • - |
| A slight sound is to be heard similar to that of flowing water. | <ul style="list-style-type: none"> • This is normal. | <ul style="list-style-type: none"> • - |

| Problem | Possible Cause | Possible Solution |
|---|--|--|
| The appliance makes a motor sound | <ul style="list-style-type: none"> The refrigeration unit has just turned itself on. This is normal | <ul style="list-style-type: none"> – |
| It is not cold enough inside the appliance. | <ul style="list-style-type: none"> The temperature is set too high. Goods that are too warm have been stored. Too much food has been stored at a time. The goods are too close to each other. The door is not tightly closed. The door has been opened too frequently or for too long. | <ul style="list-style-type: none"> Reset the temperature. Always cool down goods before storing them. Always store small quantities of food. Leave a gap between several foods allowing air flowing. Close the door. Do not open the door too frequently. |
| It is too cold inside the appliance. | <ul style="list-style-type: none"> The temperature is set too low. The Super Freeze function is activated or has been running too long. | <ul style="list-style-type: none"> Reset the temperature. Switch off the Super Freeze function. |
| Moisture accumulates on the surface of the appliance. | <ul style="list-style-type: none"> The climate is too warm and too damp. | <ul style="list-style-type: none"> This is normal in damp climate and will change when the humidity decreases. Wipe dry with a cloth. |
| Strong ice and frost in the freezer compartment. | <ul style="list-style-type: none"> The goods were not adequately packaged. The door is not tightly closed. The door has been opened too frequently or for too long. The door gasket is dirty, worn, cracked or mis-matched. Something on the inside prevents the door from closing properly. | <ul style="list-style-type: none"> Always pack the goods well. Close the door. Do not open the door too frequently. Clean the door gasket or replace them by the customer service. Reposition the shelves, door racks, or internal containers to allow the door to close. |
| The cooling system does not work. | <ul style="list-style-type: none"> Mains plug is not connected to the mains socket. The power supply is not intact. | <ul style="list-style-type: none"> Connect the mains plug. Check the electrical supply to the room. Call the local electricity company! |
| The sides of the cabinet and door strip get warm. | <ul style="list-style-type: none"> This is normal. | <ul style="list-style-type: none"> – |
| You hear an alarm signal. | <ul style="list-style-type: none"> The door is open The temperature inside product is too high | <ul style="list-style-type: none"> Close the door or silence the alarm manually. |

| Problem | Possible Cause | Possible Solution |
|--|---|--|
| The door is difficult to open. | <ul style="list-style-type: none"> Once the appliance runs, it has an internal vacuum. | <ul style="list-style-type: none"> Open the door seal gently to let air enter the appliance. |
| The door can't be closed properly. It always leaves a gap. | <ul style="list-style-type: none"> Because of the appliance's low temperature, the door seal can easily get hard and deformed. | <ul style="list-style-type: none"> Use a hair dryer or put a hot towel on the spot where the gasket is deformed. When the gasket is soft once again, close the door and compress it tightly. |

7.2 Power Interruption

In the event of a power cut, food should remain safely cold for about 15 hours. Follow these tips during a prolonged power interruption, especially in summer:

- ▶ Open the door as few times as possible.
- ▶ Do not put additional food into the freezer during a power interruption.
- ▶ If prior notice of a power interruption is given and the interruption duration is longer than 15 hours, make some ice and put it in a container in the top of the freezer compartment.
- ▶ As temperature in the freezer will rise during a power interruption or other failure, the storage period and edible quality of food will be reduced. Any food that defrosts should be either consumed, or cooked and refrozen (where suitable) soon afterwards in order to prevent health risks.



Notice: Memory function during power interruption

After restoration of power the appliance continues with the settings that were set before the power failure.

7.3 LED Lamp parameters and replacement

LED Lamp parameter: 12V, 6W

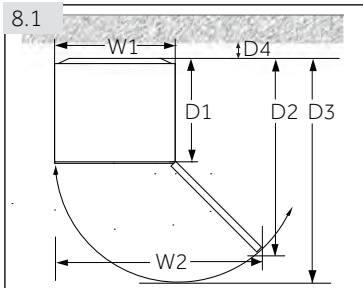
The is LED lamp, which has low energy consumption and long service life. If there is any abnormality, please do not disassemble by yourself. Please contact the after-sales staff for door-to-door service.

8.1 Unpacking

- ▶ Take the appliance out of the packaging.
- ▶ Remove all packaging materials.

8.2 Environmental conditions

The room temperature should always be between 18 °C and 43 °C, since it can influence the temperature inside the appliance and its energy consumption. Do not install the appliance near other heat-emitting appliances (ovens, refrigerators) without isolation.

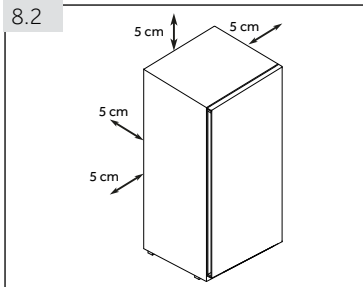


8.3 Space requirements

Required space to open the door (Fig. 8.1):

| Width in mm | | Depth in mm | | | Distance to wall in mm |
|-------------|------|-------------|------|------|------------------------|
| W1 | W2 | D1 | D2 | D3 | D4 |
| 705 | 1076 | 603 | 1243 | 1327 | 50 |

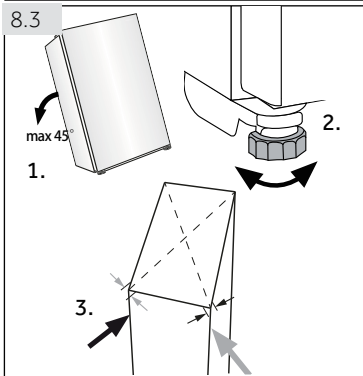
FOR a free standing appliance: this refrigerating appliance is not intended to be used as a built-in appliance.



8.4 Ventilation cross-section

To achieve sufficient ventilation of the appliance for safety reasons, the information of the required ventilation cross sections must be observed (Fig. 8.2).

FOR a free standing appliance: this refrigerating appliance is not intended to be used as a built-in appliance.



8.5 Aligning the appliance

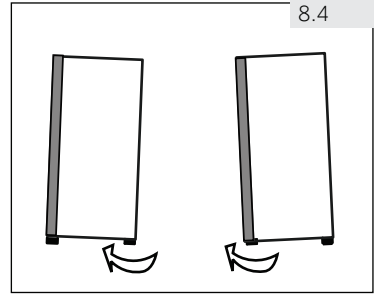
The appliance should be placed on a flat and solid surface. If the appliance is placed on a pedestal, strong and fire-resistant materials must be used. Never use the foam packing material as a pedestal.

1. Tilt the appliance slightly backwards (Fig. 8.3).
2. Set the feet to the desired level.
3. The stability can be checked by alternately bumping on the diagonals. The slight swaying should be the same in both directions. Otherwise the frame can warp; possible leaking door seals are the result. A low tendency to the rear eases the closing of the door.

8.6 Using adjustable feet

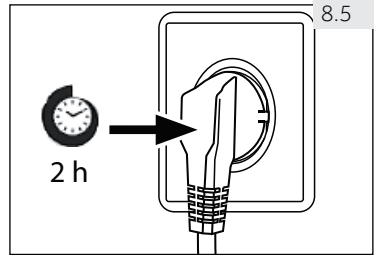
If the freezer is unstable, the feet can be adjusted: Rotate the adjustable feet according to the direction of arrow (Fig. 8.4) to turn them up or down:

- ▶ Turning the feet clockwise raises the appliance.
- ▶ Turning the feet counterclockwise lowers it.



8.7 Waiting time

To the maintenance-free lubrication oil is located in the capsule of the compressor. This oil can get through the closed pipe system during slanting transport. Before connecting the appliance to the power supply you have to wait 2 hours (Fig. 8.5) so that the oil runs back into the capsule.



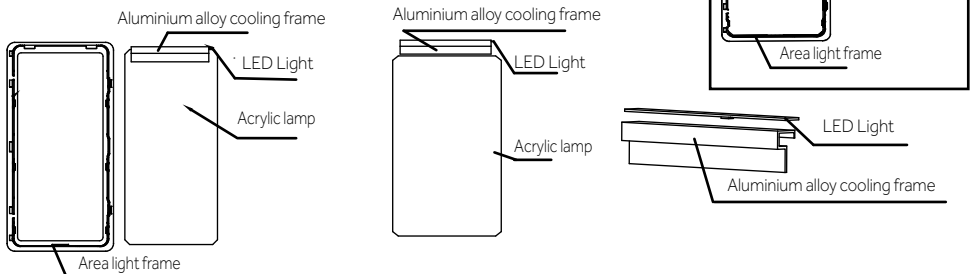
8.8 Electrical connection

Before each connection check if:

- ▶ Power supply, socket and fusing are appropriate to the rating plate.
- ▶ The power socket is earthed and no multi-plug or extension.
- ▶ The power plug and socket are strictly according.

Connect the plug to a properly installed household socket.

8.9 Diagram of Area Light Source



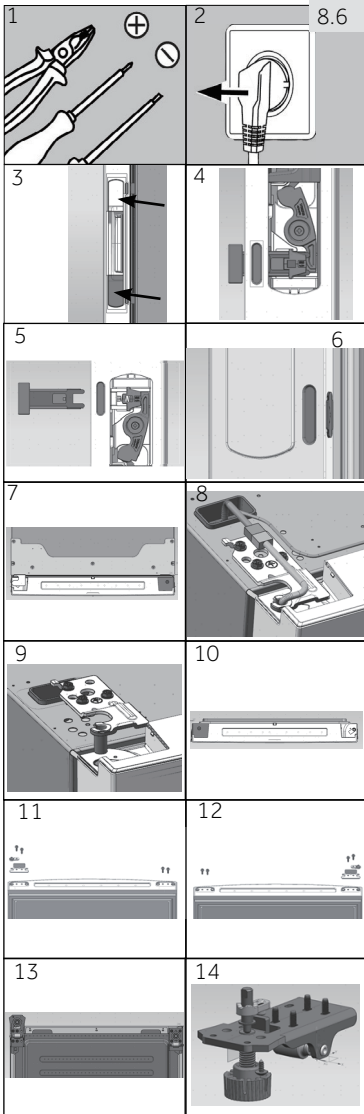
Press the buckle to split the Area light frame and Area light source

Remove the Aluminum Foil Tape on both sides of the Aluminium alloy cooling frame, and the Aluminium alloy cooling frame can be removed

Split the LED Light and Aluminium alloy cooling frame (double-sided adhesive connection)

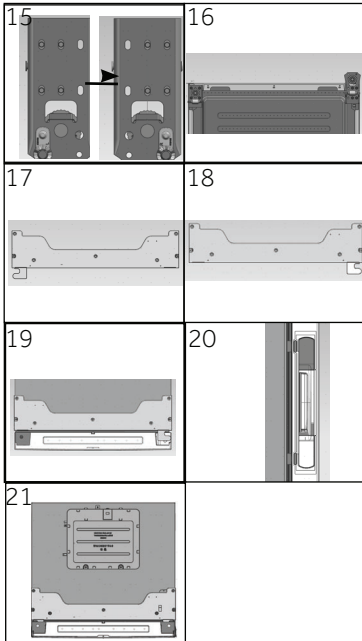
8.10 Door Reversibility

Before connecting the appliance to the power supply you should check, whether the door swing must be changed from left (as delivered) to right, if this is required by the installation location and the usability.



Assembly steps (Fig. 8.6):

1. Provide necessary tool.
2. Unplug the appliance.
3. Open the upper and lower handle covers on the right side of the door.
4. Pry the white slider slightly.
5. Take out the 2 push rod, and put the handle cover back on.
6. Remove the 2 rubber plugs on the left side of the door and put it with the removed push rods for step 20.
7. Remove 7 screws and hinge cover. Be careful not to tear the door cable.
8. Unplug the connection cable.
9. Remove 3 hinge screws and the left upper hinge, and remove the door carefully.
10. Place a cardboard box or cloth under the door and place the door horizontally. Remove the right door end cover, take the left end cover from the accessory bag. Install it on the top left side of the door.
11. Remove 2 screws on the right bottom of the door. Remove 2 screws, door stopper and axe cover on the left bottom of the door.
12. Take door stopper from last step and the right axe cover from the accessory bag, fix them with 2 screws. Fix 2 screws also on the other side of the door.
13. Put the back of the cabinet down after placing thicker pads underground. Remove 4 screws and the lower hinge.
14. Unscrew the axe cover.



15. Take the right axle cover from the accessory bag. Fix it with screw.
16. Exchange position of caster plate and lower hinge after replacement.
17. Disassemble the left small hinge cover and hinge lid from the hinge cover.
18. Change the hinge lid to the other side and take the right small hinge cover from the accessory bag. Install it on the hinge cover.
19. Mount the door, install the left hinge, plug the connection cable, and fix the hinge cover with screws.
20. Install the removed push rod on the left side of the door, and then insert the rubber plugs into the handle push rod hole on the right side of the door.
21. Finished.

Minimum guarantee is: 2 years for EU Countries, 3 years for Turkey, 1 year for UK, 1 year for Russia, 3 years for Sweden, 2 years for Serbia, 5 years for Norway, 1 year for Morocco, 6 months for Algeria, Tunisia no legal warranty required.

Thermostats, temperature sensors, printed circuit boards and light sources are available for a minimum period of seven years after placing the last unit of the model on the market. Door handles, door hinges, trays and baskets for a minimum period of seven years and door gaskets for a minimum period of 10 year, after placing the last unit of the model on the market.

For further information about the product, please consult

<https://eprel.ec.europa.eu/> or scan the QR on the energy label supplied with the appliance.

To contact the technical assistance, visit our website:

<https://corporate.haier-europe.com/en/>

Under the section "website", choose the brand of your product and your country.

You will be redirected to the specific website where you can find the telephone number and form to contact the technical assistance.

| | | |
|---|-----------------|----------|
| Trade mark | Haier | |
| Model identifier | H2F385*F | H2F385*D |
| Category of the model | Upright freezer | |
| Energy efficiency class | F | D |
| Annual energy consumption(kWh/ year) ¹⁾ | 356 | 228 |
| Storage volume cooling (L) | not applicable | |
| Storage volume freezing (L) **** | 386 | |
| Star rating | **** | |
| Temperature of other compartments > 14 °C | not applicable | |
| Frostfree system | yes | |
| Power cut safe (h) | 11.5 | 11.5 |
| Freezing capacity (kg/24h) | 19.5 | 19.5 |
| Climate class This appliance is intended to be used at an ambient temperature between 10 °C and 43 °C. | SN-T | |
| Airborne acoustical noise emissions (dB(A)) | 39 | |
| Construction type | freestanding | |

¹⁾ based on standard test results for 24 hours. Actual energy consumption will depend on how the appliance is used and where it is located.

Regarding specification details, please consult the rating plate and energy label inside the product.

This appliance is intended to be used at an ambient temperature indicated below:

| | |
|----|-----------------|
| SN | +10 °C ~ +32 °C |
| N | +16 °C ~ +32 °C |
| ST | +16 °C ~ +38 °C |
| T | +16 °C ~ +43 °C |

11.2 Additional Technical Data

| | |
|--------------------------|------------------|
| Voltage / Frequency | 220-240V ~/ 50Hz |
| Rated current (A) | 1.5 |
| Coolant | R600a |
| Dimensions (H/W/D in cm) | 172,5/70,5/69,1 |

H2F385*F/*D_EN

Haier



Bedienungsanleitung

Gefrierschrank

H2F385*F

H2F385*D

* - Colour code

DE

Haier

Vielen Dank für den Kauf eines Haier-Produktes.

Bitte lesen Sie diese Anleitung sorgfältig durch, bevor Sie dieses Gerät benutzen. Die Anleitung enthält wichtige Informationen, die Ihnen helfen, das Gerät optimal zu nutzen und eine sichere und ordnungsgemäße Installation, Nutzung und Wartung zu gewährleisten.

Bewahren Sie dieses Handbuch an einem geeigneten Ort auf, damit Sie für den sicheren und ordnungsgemäßen Gebrauch des Geräts immer darin nachschlagen können.

Wenn Sie das Gerät verkaufen, verschenken oder bei einem Umzug zurücklassen, geben Sie unbedingt auch dieses Handbuch mit, damit sich der neue Besitzer mit dem Gerät und den Sicherheitshinweisen vertraut machen kann.

WARNUNG: Brandgefahr/brennbare Stoffe. Das Symbol weist darauf hin, dass aufgrund der Verwendung von brennbaren Materialien eine Brandgefahr besteht. Achten Sie darauf, dass Sie kein Feuer verursachen, indem Sie brennbare Materialien entzünden.

Legende



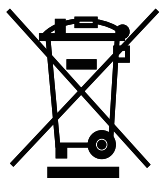
Allgemeine Informationen und Tipps



Wichtige Hinweise zu Ihrer Sicherheit



Umweltinformationen



Entsorgung

Leisten Sie einen kleinen, aber wichtigen Beitrag zum Umweltschutz. Entsorgen Sie das Verpackungsmaterial richtig, damit es dem Recycling zugeführt werden kann. Helfen Sie auch beim Recycling von elektrischen und elektronischen Altgeräten mit. Entsorgen Sie die mit diesem Symbol markierten Geräte nicht mit dem regulären Hausmüll. Bringen Sie das Gerät zu einer Sammelstelle in Ihrer Nähe. Ihre Stadtverwaltung informiert Sie gerne über passende Sammelstellen.



Vorsicht!

Verletzungs- und Erstickungsgefahr!

Kühlmittel und Kühlgase müssen auf sachkundige Weise entsorgt werden. Achten Sie darauf, dass die Rohrleitungen des Kühlkreislaufes nicht beschädigt sind, wenn Sie das Gerät entsorgen. Ziehen Sie den Netzstecker aus der Steckdose. Schneiden Sie das Netzkabel ab, entsorgen Sie das Kabel. Entfernen Sie die Gerätetür, den Türverschluss und die Dichtungen, damit Kinder oder Haustiere nicht in die Maschine krabbeln und darin eingeschlossen werden können.

| | |
|-------------------------------------|----|
| 1 - Sicherheit..... | 4 |
| 2-Bestimmungsgemäße Benutzung | 11 |
| 3-Produktbeschreibung..... | 12 |
| 4 - Benutzung..... | 13 |
| 5 - Ausstattung..... | 17 |
| 6 - Pflege und Reinigung..... | 18 |
| 7 - Fehlerbehebung..... | 20 |
| 8-Installation..... | 23 |
| 9 - Technische Daten | 27 |

Lesen Sie vor dem ersten Einschalten des Gerätes die folgenden Sicherheitshinweise:



WARNUNG!

Vor dem erstmaligen Gebrauch

- ▶ Stellen Sie sicher, dass keine Transportschäden vorliegen.
- ▶ Entfernen Sie alle Verpackungen und bewahren Sie sie außerhalb der Reichweite von Kindern auf.
- ▶ Warten Sie mindestens 2 Stunden, bevor Sie das Gerät installieren, um sicherzustellen, dass der Kältemittelkreislauf vollständig effizient ist.
- ▶ Bewegen Sie das Gerät immer mit mindestens zwei Personen, da es schwer ist.

Montage

- ▶ Das Gerät sollte an einem gut belüfteten Ort aufgestellt werden. Achten Sie auf einen Abstand von mindestens 5 cm über und um das Gerät herum.
- ▶ **WARNUNG:** Halten Sie Lüftungsöffnungen im Gerät oder in der eingebauten Struktur frei von Hindernissen.
- ▶ Stellen Sie das Gerät niemals in einem feuchten Raum oder an einem Ort auf, wo es Wasserspritzern ausgesetzt sein könnte. Beseitigen und trocknen Sie Wasserspritzer und Flecken mit einem weichen, sauberen Tuch.
- ▶ Stellen Sie das Gerät nicht in direktem Sonnenlicht oder in der Nähe von Wärmequellen auf (z. B. Öfen, Heizungen).
- ▶ Installieren und nivellieren Sie das Gerät in einem Bereich, der für seine Größe und Verwendung geeignet ist.
- ▶ Stellen Sie sicher, dass die elektrischen Angaben auf dem Typenschild mit der Stromversorgung übereinstimmen. Wenn dies nicht der Fall ist, wenden Sie sich an einen Elektriker. Das Gerät wird mit einer Stromversorgung von 220-240 VAC/50 Hz betrieben.
- ▶ Eine anormale Spannungsschwankung kann dazu führen, dass das Gerät nicht anspringt, die Temperaturregelung oder der Kompressor beschädigt werden oder ein ungewöhnliches Betriebsgeräusch auftritt. In diesem Fall ist ein automatischer Regler zu montieren.
- ▶ Verwenden Sie keine Multistecker-Adapter und Verlängerungskabel.
- ▶ **WARNUNG:** Es dürfen sich keine Mehrfachsteckdosen oder tragbare Netzteile auf der Rückseite des Geräts befinden.
- ▶ **WARNUNG:** Achten Sie beim Aufstellen des Gerätes darauf, dass das Netzkabel nicht eingeklemmt oder beschädigt wird.
- ▶ Treten Sie nicht auf das Netzkabel.
- ▶ Vergewissern Sie sich, dass das Netzkabel nicht vom Gefrierschrank eingeklemmt wird. Belüftungsöffnungen nicht abdecken.
- ▶ Verwenden Sie für die Stromversorgung eine separate, leicht zugängliche Schutzkontaktsteckdose. Das Gerät muss geerdet werden.
- ▶ Im Kühlmodus ohne 4-Sterne-Fach: Dieses Kältegerät ist nicht zum Einfrieren von Lebensmitteln geeignet; im Gefriermodus mit einem 4-Sterne-Fach ist dieses Gefriergerät nicht für die Kühlung von Lebensmitteln.

**WARNUNG!**

- ▶ **WARNUNG!** Beschädigen Sie keinesfalls den Kühlkreislauf.

Täglicher Gebrauch

- ▶ Dieses Gerät darf von Kindern ab 8 Jahren und Personen mit eingeschränkten körperlichen, sensorischen oder geistigen Fähigkeiten oder ohne Erfahrung und Wissen nur benutzt werden, wenn sie beaufsichtigt werden oder Anweisungen für den sicheren Gebrauch des Geräts erhalten und die damit verbundenen Gefahren verstanden haben.
- ▶ Kinder dürfen keinesfalls mit dem Gerät spielen.
- ▶ Kinder im Alter von 3 bis 8 Jahren dürfen Kühlgeräte be- und entladen, nicht aber die Kühlgeräte reinigen und installieren.
- ▶ Halten Sie Kinder unter 3 Jahren von dem Gerät fern, wenn sie nicht ständig beaufsichtigt werden.
- ▶ Kinder dürfen das Gerät nur unter Beaufsichtigung reinigen und instand halten.
- ▶ Das Gerät muss so aufgestellt werden, dass der Stecker zugänglich ist. Wenn Kohlegas oder anderes brennbares Gas in die Nähe des Geräts austritt, schalten Sie das Ventil des austretenden Gases aus, öffnen Sie die Türen und Fenster. Weder das Netzkabel des Gefrierschranks noch das eines anderen Geräts dürfen abgetrennt oder angeschlossen werden.
- ▶ Beachten Sie, dass das Gerät für den Betrieb im spezifischen Umgebungsbereich zwischen 10 °C und 43 °C eingestellt ist. Das Gerät funktioniert möglicherweise nicht richtig, wenn es für einen längeren Zeitraum bei einer Temperatur über oder unter dem angegebenen Bereich belassen wird.
- ▶ Stellen Sie keine instabilen Gegenstände (schwere Gegenstände, mit Wasser gefüllte Behälter) auf den Kühl-/Gefrierschrank. So vermeiden Sie Verletzungen durch Herunterfallen oder elektrische Schläge infolge von Wasserkontakt.
- ▶ Lagern oder verwenden Sie keine brennbaren, explosiven oder korrosiven Materialien im Gerät oder in dessen Nähe.
- ▶ Heben Sie das Gerät nicht an den Griffen an.
- ▶ Stellen Sie das Gerät niemals waagrecht auf den Boden, wenn Sie es bewegen. Ziehen Sie vor jeder Inbetriebnahme zuerst den Netzstecker.
- ▶ Neigen Sie das Gerät nicht um mehr als 45 °, um Schäden am Kühlsystem beim Bewegen des Gerätes zu vermeiden.
- ▶ Ziehen Sie bei einem Stromausfall oder vor dem Reinigen den Netzstecker. Warten Sie vor der Wiederinbetriebnahme des Geräts mindestens 7 Minuten, da ein zu häufiges Starten den Kompressor beschädigen kann.
- ▶ Überprüfen Sie den Zustand der Lebensmittel, wenn eine Erwärmung im Gefrierfach stattgefunden hat.



WARNUNG!

- ▶ Ziehen Sie nicht an den Türfächern. Die Tür könnte schräg gezogen werden, die Türböden können weggezogen werden, oder das Gerät könnte umkippen.
- ▶ Öffnen und schließen Sie die Türen nur mit den Griffen. Der Spalt zwischen Tür und Schrank ist sehr schmal. Halten Sie Ihre Hände nicht in diese Bereiche, um zu verhindern, dass Ihre Finger eingeklemmt werden. Öffnen oder schließen Sie die Gerätetüren nur, wenn keine Kinder im Türbewegungsbereich stehen.
- ▶ Lagern Sie niemals Flaschenbier oder Getränke im Gefrierschrank, da diese beim Gefrieren platzen.
- ▶ Lagern Sie in diesem Gerät keine explosiven Stoffe wie Spraydosen mit einem brennbaren Treibmittel.
- ▶ Bewahren Sie keine Medikamente, Bakterien oder chemischen Arbeitsstoffe im Gerät auf. Dies Gerät ist ein Haushaltsgerät. Es sollten keine Materialien gelagert werden, die exakte Temperaturen erfordern.
- ▶ Lagern Sie niemals Flüssigkeiten in Flaschen oder Dosen (außer hochprozentigen Spirituosen), insbesondere kohlensäurehaltige Getränke, in der Tiefkühltruhe, da diese beim Gefrieren platzen.
- ▶ Nicht unnötig niedrige Temperatur im Gefrierfach einstellen. Bei hohen Einstellungen können Minustemperaturen auftreten. Achtung: Flaschen können platzen.
- ▶ Gefriergut nicht mit nassen Händen berühren (Handschuhe tragen). Essen Sie insbesondere keine Eis am Stiel direkt nach der Entnahme aus dem Gefrierfach. Es besteht die Gefahr von Gefrierverletzungen. ERSTE HILFE: Sofort unter fließend kaltes Wasser halten. Nicht wegziehen!
- ▶ Berühren Sie während des Betriebs nicht die Innenfläche des Gefrierfachs, insbesondere nicht mit nassen Händen, weil Ihre Hände an der Oberfläche festfrieren könnten.
- ▶ **WARNUNG!** Verwenden Sie – abgesehen von der herstellereitigen Empfehlung – keine elektrischen Geräte in den Lebensmittel-Aufbewahrungsfächern des Geräts.
- ▶ **WARNUNG!** Die Lampen können nur vom Hersteller zusammen mit einem Teil des Gerätes ausgetauscht werden.
- ▶ **WARNUNG!** Wenn Sie sich bezüglich des Kältemitteltyps nicht sicher sind, überprüfen Sie das Typenschild im Gerät. Aus Sicherheitsgründen darf dieses Gerät nur von einem autorisierten Wartungstechniker gewartet werden. In Queensland – der autorisierte Wartungstechniker MUSS eine Gasarbeitsgenehmigung für kohlenwasserstoffhaltige Kältemittel besitzen, um Wartungen oder Reparaturen durchzuführen, die das Entfernen von Abdeckungen beinhalten.

**WARNUNG!****Wartung / Reinigung**

- ▶ Stellen Sie sicher, dass Kinder bei der Reinigung und Wartung beaufsichtigt werden.
- ▶ Trennen Sie das Gerät von der Stromversorgung ab, bevor Sie routinemäßige Wartungsarbeiten durchführen. Warten Sie vor der Wiederinbetriebnahme des Geräts mindestens 7 Minuten, da ein zu häufiges Starten den Kompressor beschädigen kann.
- ▶ Fassen Sie zum Abtrennen des Netzkabels immer am Stecker an; ziehen Sie nie am Kabel..
- ▶ Reinigen Sie das Gerät nicht mit harten Bürsten, Drahtbürsten, Reinigungsmittelpulver, Benzin, Amylacetat, Aceton und ähnlichen organischen Lösungen, Säuren oder Laugen. Bitte benutzen Sie einen speziellen Reiniger, um Beschädigungen zu vermeiden.
- ▶ Kratzen Sie Frost und Eis nicht mit scharfen Gegenständen ab. Verwenden Sie keine Sprays, Elektroheizungen, Haartrockner, Dampfreiniger oder andere Wärmequellen, um Schäden an den Kunststoffteilen zu vermeiden.
- ▶ **WARNUNG:** Es dürfen keine anderen als die vom Hersteller empfohlenen Mittel zur Beschleunigung des Abtauvorgangs verwendet werden.
- ▶ Ein beschädigtes Netzkabel muss vom Hersteller, dem zugelassenen Kundendienst oder ähnlichem Fachpersonal ausgewechselt werden, um Gefahren vorzubeugen.
- ▶ Versuchen Sie nicht, das Gerät selbst zu reparieren, zu demontieren oder zu modifizieren. Im Falle einer Reparatur wenden Sie sich bitte an unseren Kundendienst.
- ▶ Beseitigen Sie mindestens einmal im Jahr Staubansammlungen auf der Rückseite des Gerätes, um Brandgefahren und einen erhöhten Energieverbrauch zu vermeiden.
- ▶ Besprühen oder spülen Sie das Gerät während des Reinigens nicht.
- ▶ Verwenden Sie zum Reinigen des Geräts weder Wassersprühstrahl noch Dampf.
- ▶ Reinigen Sie die kalten Glasböden oder -türen nicht mit heißem Wasser. Plötzliche Temperaturänderungen können zum Bruch des Glases führen.
- ▶ Trennen Sie das Gerät vor dem Reinigen von der Stromversorgung ab.
- ▶ Im Falle einer Erwärmung ist der Zustand tiefgefrorener Waren zu überprüfen.
- ▶ Schalten Sie das Gerät vor der Wartung aus und ziehen Sie den Netzstecker aus der Steckdose.
- ▶ Elektrische Geräte sollten nur von qualifizierten Elektrofachleuten gewartet werden, da unsachgemäße Reparaturen erhebliche Folgeschäden verursachen können.

Informationen zum Kältemittelgas



WARNUNG!

Wartung / Reinigung

Das Gerät enthält das brennbare Kältemittel ISOBUTAN (R600a). Achten Sie darauf, dass der Kältemittelkreislauf während des Transports oder der Installation nicht beschädigt wird. Auslaufendes Kältemittel kann zu Augenverletzungen oder zur Entzündung führen. Wenn ein Schaden aufgetreten ist, halten Sie offene Feuerquellen fern, lüften Sie den Raum gründlich, stecken Sie weder das Netzkabel dieses noch eines anderen Geräts ein oder aus. Informieren Sie den Kundendienst.

Falls die Augen mit dem Kältemittel in Kontakt kommen, spülen Sie sie sofort unter fließendem Wasser aus und kontaktieren den Augenarzt.

WARNUNG! Das Kühlsystem steht unter hohem Druck. Nehmen Sie keine Veränderungen daran vor. Da brennbare Kältemittel verwendet werden, installieren, behandeln und warten Sie das Gerät bitte strikt nach den Anweisungen. Wenden Sie sich an den Fachhändler oder unseren Kundendienst, um das Gerät zu entsorgen.



WARNUNG!

- ▶ Achten Sie darauf, dass Sie kein Feuer verursachen, indem Sie brennbare Materialien entzünden.
- ▶ **WARNUNG:** Achten Sie bei der Positionierung des Gerätes darauf, dass das Netzkabel nicht eingeklemmt oder beschädigt ist.
- ▶ **WARNUNG:** Es dürfen keine Mehrfachsteckdosen oder tragbare Netzteile auf der Rückseite des Geräts positioniert werden.
- ▶ Lagern Sie in diesem Gerät keine explosiven Stoffe wie Spraydosen mit einem brennbaren Treibmittel.
- ▶ Da im Gefrierschrank brennbare Kältemittel eingesetzt werden, ist bei der Montage, Handhabung, Bedienung und Weiterverwertung des Gerätes Vorsicht geboten.
- ▶ Bitte wenden Sie sich an den Kundendienst, um das Gerät zu entsorgen, da brennbares Treibgas verwendet wurde.

Bestimmungsgemäße Benutzung

Dieses Gerät ist für den Einsatz im Haushalt und ähnliche Anwendungen vorgesehen, z. B.:

- Personalküche in Geschäften, Büros und anderen Arbeitsumgebungen;
- Bauernhäuser und von Kunden in Hotels, Motels sowie anderen Wohnräumen;
- Bed & Breakfast;
- Catering und ähnliche Anwendungen außerhalb des Einzelhandels.

▶ Wenn das Gerät längere Zeit nicht benutzt wird:

- Nehmen Sie die Lebensmittel heraus.
- Ziehen Sie den Netzstecker.
- Reinigen Sie das Gerät wie oben beschrieben.
- Lassen Sie die Türen offen, um die Entstehung von schlechten Gerüchen im Inneren zu verhindern.

▶ Halten Sie sich bitte an diese Anweisung, um die sichere Aufbewahrung von Lebensmitteln sicherzustellen.

▶ Die Einzelheiten zu dem am besten geeigneten Abteil im Gerät, in dem bestimmte Arten von Lebensmitteln gelagert werden sollen, unter Berücksichtigung der Temperaturverteilung, die in den verschiedenen Abteilen des Geräts vorhanden sein kann, sind in der Bedienungsanleitung separat aufgeführt.


▶ Um eine Kontamination von Lebensmitteln zu vermeiden, beachten Sie bitte die folgenden Anweisungen:

- Ein längeres Öffnen der Tür kann zu einem deutlichen Temperaturanstieg in den Fächern des Gerätes führen.
- Reinigen Sie regelmäßig Oberflächen, die mit Lebensmitteln in Berührung kommen können, sowie zugängliche Drainagesysteme.
- Lagern Sie rohes Fleisch und Fisch in geeigneten Behältern im Kühl-/Gefrierschrank, damit sie nicht mit anderen Lebensmitteln in Kontakt kommen oder auf diese tropfen.
- Zwei-Sterne-Tiefkühlfächer eignen sich für die Lagerung von vorgefrorenen Lebensmitteln, die Lagerung oder Herstellung von Eiscreme und die Herstellung von Eiswürfeln.

- Ein-, Zwei- und Drei-Sterne-Fächer sind nicht für das Einfrieren von frischen Lebensmitteln geeignet.
- Falls das Kühlgerät über einen längeren Zeitraum leer bleibt, schalten Sie es aus, tauen es ab, reinigen und trocknen es, und lassen dann die Tür offen, um Schimmelbildung im Gerät zu vermeiden.

Entsorgung



Das Symbol  auf dem Produkt oder seiner Verpackung weist darauf hin, dass dieses Produkt nicht als Haushaltsabfall behandelt werden darf. Bringen Sie es stattdessen zu einer dafür vorgesehenen Sammelstelle für die Wiederaufbereitung von Elektro- und Elektronikartikeln. Indem Sie sicherstellen, dass dieses Produkt korrekt entsorgt wird, tragen Sie dazu bei, potenzielle negative Folgen für die Umwelt und die menschliche Gesundheit zu vermeiden. Weitergehende Informationen zur Behandlung, Rückgewinnung und Wiederaufbereitung erhalten Sie bei den zuständigen Behörden, dem Abfallbeseitigungsdienstleister oder der Verkaufsstelle.

Da brennbare Treibmittel zur Isolierung verwendet werden, wenden Sie sich bitte an den Fachhändler oder unseren Kundendienst, um das Gerät zu entsorgen.

WARNUNG!

Verletzungsgefahr durch Ersticken!

Kältemittel und Gase müssen fachgerecht entsorgt werden. Achten Sie darauf, dass die Leitungen des Kältemittelkreislaufs unbeschädigt sind, bevor sie ordnungsgemäß entsorgt werden. Trennen Sie das Gerät vom Netz ab. Trennen Sie das Netzkabel ab und entsorgen Sie es. Entfernen Sie sowohl die Fächer und Schubladen als auch die Türverriegelung und die Dichtungen, um zu verhindern, dass Kinder und Haustiere im Gerät eingeschlossen werden.

2.1 Bestimmungsgemäße Benutzung

Dieses Gerät ist für den Einsatz im Haushalt und ähnliche Anwendungen vorgesehen, z. B.:

- Personalküche in Geschäften, Büros und anderen Arbeitsumgebungen;
- Bauernhäuser und von Kunden in Hotels, Motels sowie anderen Wohnräumen;
- Bed & Breakfast;
- Catering und ähnliche Anwendungen außerhalb des Einzelhandels.

Dieses Gerät ist zum Einfrieren von Lebensmitteln bestimmt. Es ist ausschließlich für den Einsatz in Trockenräumen konzipiert. Es ist nicht für den gewerblichen oder industriellen Gebrauch bestimmt.

Änderungen oder Modifikationen am Gerät sind nicht zulässig. Die nicht bestimmungsgemäße Benutzung kann zu Gefahren sowie zum Verlust von Garantieansprüchen führen.

2.2 Zubehör

Überprüfen Sie das Zubehör und die Literatur gemäß dieser Liste:

2.2



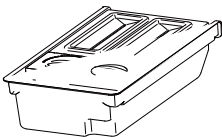
Energiekennzeichnung



Garantiekarte



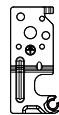
Bedienungsanleitung



Eiszubereiter
Abstandhalter mit
Eisschaufel



Obere linke
Verkleidungs-
deabdeckung



Scharnier oben
rechts für die
Umkehrbarkeit der Tür



Obere rechte
Scharnierabdeckung



Achsab-
deckungen



Hinweis: Abweichungen

Aufgrund technischer Änderungen und unterschiedlicher Modelle können einige der Abbildungen in diesem Handbuch von Ihrem Modell abweichen.



- | | | | |
|---|--------------------------|---|-------------------------|
| 1 | LED-Licht | 6 | Verstellbare Türablagen |
| 2 | Luftkanalabdeckung | 7 | Leistungsschild |
| 3 | Glasetagen | 8 | Türgriff |
| 4 | Lagerbehälter einfrieren | 9 | Eisbereiter |
| 5 | Verstellbare Füße | | |

Hinweis: Dieses Produkt enthält eine Lichtquelle der Energieeffizienzklasse <G>.

4.1 Vor der ersten Benutzung

- ▶ Entfernen Sie alle Verpackungsmaterialien und bewahren Sie sie außerhalb der Reichweite von Kindern auf. Entsorgen Sie sie auf umweltfreundliche Weise.
- ▶ Reinigen Sie das Gerät innen und außen mit Wasser und einem milden Reinigungsmittel, bevor Sie Lebensmittel hineingeben.
- ▶ Warten Sie nach dem Nivellieren und Reinigen des Gerätes mindestens 2 Stunden, bevor Sie es an das Netzkabel anschließen. Siehe Abschnitt INSTALLATION.
- ▶ Kühlen Sie das Fach 2 Stunden lang bei hohen Einstellungen vor dem Beladen mit Lebensmitteln vor. Die Funktion Super Freeze hilft, das Fach schnell abzukühlen.



Verschiedene Lebensmittel sollten entsprechend ihrer Eigenschaften in verschiedenen Bereichen platziert werden (Abb.: 4.1).

Das Gefrierfach wird empfohlen, Fleisch, Fisch, Pizza und andere gefrorene Lebensmittel zu lagern.

Lebensmittel können je nach ihren Eigenschaften (z. B. Fleisch) bei einer Temperatur von mindestens $-18\text{ }^{\circ}\text{C}$ für 2 bis 12 Monate im Gefrierschrank gelagert werden: 3-12 Monate, Gemüse: 6-12 Monate

Um eine Überschreitung der Lagerfristen zu vermeiden, notieren Sie bitte das Einfrierdatum, das Zeitlimit und die Bezeichnung des Lebensmittels auf der Verpackung entsprechend der jeweiligen Lagerdauer.

4.2 Ein-/Ausschalten des Geräts

Das Gerät ist in Betrieb, sobald es an die Stromversorgung angeschlossen ist.

- ▶ Die Gefriertemperatur wird automatisch auf $-18\text{ }^{\circ}\text{C}$ eingestellt. Dies ist die empfohlene Einstellung und die ideale Temperatur für Tiefkühlware. Falls gewünscht, können Sie die Temperatur manuell ändern. Siehe TEMPERATUREINSTELLUNG



Hinweis: Voreinstellungen

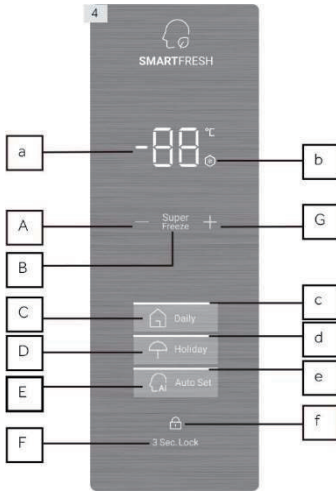
1. Das Gerät ist auf die empfohlene Temperatur von $-18\text{ }^{\circ}\text{C}$ voreingestellt. Unter normalen Umgebungsbedingungen müssen Sie die Temperatur nicht ändern.
2. Wenn das Gerät nach dem Trennen von der Hauptstromversorgung eingeschaltet wird, kann es bis zu 12 Stunden dauern, bis die richtige Temperatur erreicht ist.

Leeren Sie das Gerät, bevor Sie es ausschalten. Um das Gerät auszuschalten, ziehen Sie den Netzstecker aus der Steckdose.

4.3 Standby-Modus der Anzeige

Wenn die Tür geschlossen ist, schaltet sich der Anzeigebildschirm 30 Sekunden nach dem Schließen automatisch aus. Das Display wird automatisch gesperrt. Es leuchtet automatisch auf, wenn eine beliebige Taste gedrückt oder die Tür geöffnet wird.

4.4 Bedienfeld (Abb. 4)



Beschreibung der Symbole

- a: Temperaturanzeigesymbol
- b: Super Freeze-Symbol
- c: Daily-Funktionssymbol
- d: Holiday-Symbol
- e: Auto Set-Symbol
- f: Sperrsymbol

Beschreibung der Tasten

- A: Temperatureinstellung verringern: Drücken, um die Temperatur zu senken
- B: Super Freeze: Drücken, um die Super Freeze-Funktion zu aktivieren
- C: Daily-Funktion: Drücken, um die Daily-Funktionen zu aktivieren
- D: Holiday: Drücken, um die Holiday-Funktion zu aktivieren
- E: Auto Set: Drücken, um die Auto-Set-Funktion zu aktivieren
- F: Sperre: Halten Sie die Taste 3 Sekunden lang gedrückt, um die Sperre zu aktivieren oder zu deaktivieren
- G: Temperatureinstellung erhöhen: Drücken, um die Temperatur zu erhöhen

4.5 Display sperren und entsperren

Automatische Sperre

Das Bedienfeld kann automatisch die Sperrfunktion aktivieren. Die Anzeige wird nach 30 Sekunden ohne Bedienung automatisch gesperrt.

Manuelle Sperrungen

Wenn das Display entsperrt ist, drücken Sie "Sperren" (F) und halten 3 Sekunden lang gedrückt. Nach einem Piepton leuchtet das Symbol "Sperren" (f) und das Display ist gesperrt. Wenn das Display gesperrt ist, drücken Sie "Sperren" (F) und halten 3 Sekunden lang gedrückt; nach einem Piepton erlischt das Symbol „Sperren“ (f) und das Display ist entsperrt.



Hinweis: Displaysperre

Bei gesperrter Anzeige sind Funktionen wie Temperatureinstellung oder Funktionseinstellung deaktiviert. Wenn der obige Vorgang versucht wird, blinkt das Symbol "Sperren" (f) 3 Mal, um daran zu erinnern, dass die Anzeige gesperrt ist.

4.6 Temperatureinstellung

Der Temperaturbereich dieses Gefrierschranks kann zwischen -14°C ~ -24°C eingestellt werden. Wenn die Anzeige entsperrt ist, drücken Sie in der Daily-Funktion „Temperatureinstellung verringern“ (A). Nach einem Piepton beginnt das Symbol „Temperaturanzeige“ (a) zu blinken und wechselt in den Temperatureinstellungsmodus. Jedes Mal, wenn Sie „Temperatureinstellung verringern“ (A) drücken, piept der Summer und die Temperatur wird um 1°C gesenkt; der niedrigste Wert ist -24°C . Nach dem Einstellen der Temperatur wird der Temperatursollwert ermittelt; nach 5 Sekunden ohne Bedienung stoppt das Blinken.

Nachdem die Anzeige entsperrt ist, drücken Sie in der Daily-Funktion „Temperatureinstellung erhöhen“ (G); nach einem Piepton blinkt das Symbol "Temperaturanzeige" (a) und wechselt in den Temperatureinstellungsmodus. Jedes Mal, wenn Sie "Temperatureinstellung erhöhen" (G) drücken, piept der Summer und die Temperatur steigt um 1°C bis auf maximal -14°C . Nach dem Einstellen der Temperatur wird der Temperatursollwert bestimmt, und das Symbol (a) hört nach 5 Sekunden ohne Bedienung auf zu blinken.

4.7 Daily-Funktion (C)

Sobald das Gerät das erste Mal an das Netzkabel angeschlossen ist, befindet sich das Gerät in der Funktion "Täglich" und das Symbol "Täglich" (c) leuchtet auf. Nur unter dieser Funktion kann die Temperatur eingestellt werden.

4.8 Super Freeze-Funktion (B)

Der Super Freeze-Modus ist optimal zur Erhaltung der Nährstoffe, weil sich Lebensmittel in kürzerer Zeit einfrieren lassen. Bevor Sie viele Lebensmittel in den Gefrierschrank legen, aktivieren Sie die Super Freeze-Funktion, um mit einer niedrigeren Temperatureinstellung ein besseres Gefrierergebnis zu erreichen.

Wenn das Display entsperrt ist, wird durch Berühren von "Super Freeze" (B) das Symbol "Super Freeze" (b) hell, der Gefrierschrank arbeitet im Super Freeze-Modus. Um die Super Freeze-Funktion manuell zu beenden, wiederholen Sie die Schritte oben. Andernfalls wird die Funktion nach 50 Stunden automatisch beendet.

Um eine große Menge an Lebensmitteln auf einmal einzufrieren, sollte die Funktion 24 Stunden vor dem Hineinlegen von Lebensmitteln aktiviert werden. Die Funktion stoppt automatisch nach 50 Stunden oder manuell. Wenn diese Funktion eingeschaltet ist, steigt der Stromverbrauch. Im Super Freeze-Modus variiert die Betriebstemperatur des Gefrierschranks je nach Menge der vorhandenen Lebensmittel und der Umgebungsbedingung. Die Temperatur im Gefrierfach könnte unter Umständen auf bis zu -37°C sinken.



Hinweis: Super Freeze

1. Im Super Freeze-Modus kann die Temperatur nicht eingestellt werden. Bei dem Versuch blinkt das Super Freeze-Symbol dreimal als Hinweis darauf, dass sich der Gefrierschrank im Super Freeze-Modus befindet.
2. Wenn im Super-Freeze-Modus die Auto-Set-Funktion oder Holiday eingestellt ist, ist "Super-Freeze" (b) ausgeschaltet; die Super-Freeze-Funktion wird automatisch beendet und zur Auto-Set- oder Holiday-Funktion gewechselt.

4.9 Holiday-Funktion (D)

Wenn die Anzeige entsperrt ist, leuchtet durch Berühren von „Holiday“ (D) das Holiday-Symbol (d) und der Gefrierschrank wechselt zur Holiday-Funktion. Wenn Sie im Holiday-Modus auf "Holiday" (D) drücken, wird das Holiday-Symbol (d) ausgeschaltet und der Gefrierschrank beendet die Holiday-Funktion. Wenn im Holiday-Modus die Temperatur vor dem Wechsel zur Holiday-Funktion höher als -18°C ist, wird sie nach dem Wechsel zur Holiday-Funktion automatisch auf -18°C eingestellt; wenn die Temperatur vor dem Wechsel zur Holiday-Funktion niedriger als -18°C ist, bleibt sie nach Wechsel zur Holiday-Funktion unverändert.

Hinweis: Holiday-Funktion

1. Im Holiday-Modus kann die Temperatur nicht eingestellt werden. Bei dem Versuch blinkt das Holiday-Symbol dreimal als Hinweis darauf, dass sich der Gefrierschrank im Holiday-Modus befindet.
2. Wenn im Holiday-Modus die Funktion Auto Set, Daily oder Super Freeze eingestellt wird, wird das Holiday-Symbol (d) ausgeschaltet, die Holiday-Funktion wird automatisch beendet und die Funktion Auto Set, Daily oder Super Freeze wird aktiviert.

4.10 Auto-Set-Funktion (E)

Wenn die Anzeige entsperrt ist, leuchtet durch Berühren von "Auto Set" (E) das Symbol "Auto Set" (e), und der Gefrierschrank arbeitet in der Funktion „Auto Set“. Im Auto-Set-Modus wird das Symbol (e) durch Berühren von "Auto-Set" (E) ausgeschaltet und der Gefrierschrank beendet die Auto-Set-Funktion.

In der Auto-Set-Funktion läuft der Gefrierschrank bei -18°C .

Hinweis: Auto Set Funktion

1. Im Auto-Set-Modus kann die Temperatur nicht eingestellt werden. Bei dem Versuch blinkt das Auto-Set-Symbol dreimal als Hinweis darauf, dass sich der Gefrierschrank im Auto-Set-Modus befindet.
2. Wenn im Auto-Set-Modus die Holiday-, Daily- oder Super Freeze-Funktion eingestellt wird, wird "Auto Set" (e) ausgeschaltet, die Auto Set-Funktion automatisch beendet und zur Holiday-, Daily- oder Super Freeze-Funktion gewechselt.

4.11 Anzeigesteuerfunktion

Wenn die Tür geschlossen ist, schaltet sich der Anzeigebildschirm nach 30 Sekunden ohne Bedienung automatisch aus. Das Display wird automatisch gesperrt. Es leuchtet automatisch, wenn Sie eine Taste berühren oder die Tür öffnen.

4.12 Ausschalt Speicher

Dieser Gefrierschrank verfügt über einen Ausschalt Speicher, d. h. die Einstellungen vor dem Ausschalten werden gespeichert. Wenn die Stromversorgung wieder eingeschaltet wird, läuft das Gerät mit den zuletzt vorgenommenen Einstellungen weiter. Die Sperre wird nicht gespeichert, d. h. nachdem die Stromversorgung wieder eingeschaltet ist, wird das Display entsperrt.

4.13 Tür-offen-Alarm

Wenn der Gefrierschrank länger als 1 Minute geöffnet bleibt, gibt das Gerät 3 Pieptöne mit einem Intervall von 0,5 Sekunden ab. Die Signaltöne werden alle 30 Sekunden wiederholt, falls die Tür geöffnet bleibt. Der Piepton hört auf, wenn die Tür wieder geschlossen ist bzw. nach 7 Minuten Türöffnung. Der Piepton hört auf und die Gefrierschrankbeleuchtung erlischt.

4.14 Hochtemperaturalarm

Dieser Gefrierschrank ist mit einem Hochtemperaturalarm ausgestattet. Wenn im Normalmodus oder im Super Freeze-Modus das Temperaturanzeigesymbol "HH" mit Signaltönen anzeigt, lässt sich der Signalton durch Berühren einer beliebigen Taste beenden. Das Temperaturanzeigesymbol blinkt weiter, weil die Temperatur im Gefrierfach zu hoch ist. Bitte prüfen Sie, ob die Tür fest verschlossen ist oder ob große Mengen warmer Speisen in den Gefrierschrank gestellt wurden. Nach einer gewissen Zeit hört das Temperaturanzeigesymbol auf zu blinken. Falls "HH" für längere Zeit weiter blinkt und akustische Signale, die manuell abgebrochen werden, erneut ertönen, wenden Sie sich bitte an den Kundendienst.

4.15 Fehleranzeige

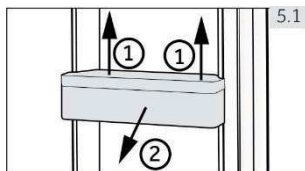
Wenn das Display E1, E2 und andere Codes anzeigt und blinkt, bedeutet dies, dass der Gefrierschrank defekt ist. In diesem Fall kann der Gefrierschrank zwar immer noch Lebensmittel einfrieren, aber der Benutzer sollte sich möglichst schnell an den Kundendienst wenden, um den normalen Gefrierschrankbetrieb wiederherzustellen.



4.16 Energiespartipps

- ▶ Stellen Sie sicher, dass das Gerät richtig belüftet wird (siehe INSTALLATION).
- ▶ Stellen Sie das Gerät nicht in direktem Sonnenlicht oder in der Nähe von Wärmequellen auf (z. B. Öfen, Heizungen).
- ▶ Vermeiden Sie unnötig niedrige Temperaturen im Gerät. Der Energieverbrauch steigt, je niedriger die Temperatur im Gerät eingestellt wird.
- ▶ Lassen Sie warme Speisen vor dem Einlegen in das Gerät abkühlen.
- ▶ Öffnen Sie die Gerätetür so wenig und so kurz wie möglich.
- ▶ Vergewissern Sie sich, dass die Tür immer richtig und von Lebensmitteln unbeeinträchtigt schließt. Türdichtung sauber halten.
- ▶ Tiefkühlkost im Kühlschrank auftauen.
- ▶ Rückseite des Gerätes regelmäßig reinigen. Staub erhöht den Energieverbrauch.
- ▶ Werksseitig befinden sich Schublade, Lebensmittelbox und Regale in der energiesparendsten Konfiguration. Lebensmittel sollten so platziert werden, dass sie den Luftauslass nicht blockieren.

5 - Ausstattung

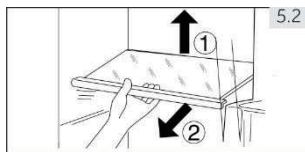


5.1 Abnehmbare Türablagen

Die Türablagen können zum Reinigen entnommen werden: Heben Sie die Ablage an beiden Seiten an (1) und ziehen Sie sie dann heraus (2) (Abb. 5.1).

Um die Türablage wieder einzusetzen, führen Sie die Schritte oben in umgekehrter Reihenfolge durch.

5.2 Glasböden

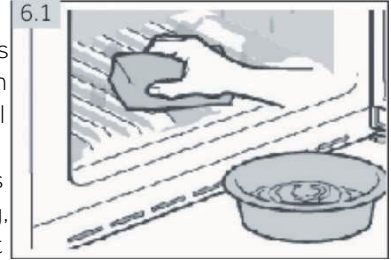


1. Um einen Einlegeboden herauszunehmen, heben Sie ihn zuerst an der Hinterkante (1) an und ziehen ihn dann heraus (2) (Abb. 5.2).
2. Um ihn wieder einzusetzen, legen Sie ihn auf den beidseitigen Vorsprüngen ab und schieben ihn dann in die hinterste Position, bis die Rückseite des Einlegebodens in den seitlichen Schlitz einrastet.

6.1 Allgemeines

Reinigen Sie das Gerät, wenn nur wenig oder keine Lebensmittel aufbewahrt werden; trennen Sie dazu den Gerätestecker ab.

- ▶ Halten Sie die Türdichtung immer sauber.
- ▶ Reinigen Sie die Innenseite und das Gehäuse des Gerätes mit einem Schwamm, der mit warmem Wasser und neutralem Reinigungsmittel angefeuchtet ist.



1. Reiben Sie das Innere und Äußere des Gefrierschranks – einschließlich Türdichtung, Türablagen, Glasablagen, Boxen usw. – mit einem weichen Handtuch oder Schwamm ab, das in warmes Wasser getaucht ist (Sie können neutrales Reinigungsmittel in das warme Wasser geben).
2. Bei verschütteter Flüssigkeit alle betroffenen Teile entfernen, direkt unter laufendem Wasser abspülen, trocknen und wieder in den Gefrierschrank einsetzen.
3. Bei verschütteter Sahne oder geschmolzener Eiscreme entfernen Sie alle betroffenen Teile, legen Sie sie für einige Zeit in ca. 40 °C warmes Wasser, spülen Sie sie dann ab, trocknen sie und setzen sie wieder in den Gefrierschrank ein.
4. Falls kleine Teile oder Gegenstände im Gefrierschrank (zwischen Böden oder Lagerbehältern) stecken bleiben, nehmen Sie eine kleine weiche Bürste, um sie zu lösen. Falls Sie das Teil nicht erreichen konnten, wenden Sie sich bitte an den Haier-Kundendienst.

6.2 Längerfristige Außerbetriebnahme

Wenn das Gerät längere Zeit nicht benutzt wird:

- ▶ Nehmen Sie die Lebensmittel heraus.
- ▶ Ziehen Sie den Netzstecker.
- ▶ Reinigen Sie das Gerät wie oben beschrieben.
- ▶ Halten Sie die Tür- und Gefrierlagerbehälter offen, um die Entstehung von schlechten Gerüchen im Inneren zu verhindern.

Entfernen Sie die Tür des Gerätes (öffnen Sie die Tür und halten Sie sie fest, bevor Sie die Schrauben entfernen), um zu vermeiden, dass Kinder in das Gerät eindringen und darin gesperrt werden.



Hinweis: Ausschalten

Für eine optimale Lebensdauer des Gerätes sollten Sie es nur ausschalten, wenn dies unbedingt erforderlich ist.

6.3 Transport des Geräts

1. Entfernen Sie alle Lebensmittel und ziehen Sie den Netzstecker.
2. Sichern Sie Ablagen und andere bewegliche Teile im Gefrierfach mit Klebeband.
3. Schließen Sie die Tür und sichern Sie sie mit Klebeband.
4. Neigen Sie den Gefrierschrank nicht mehr als 45°, um eine Beschädigung des Kühlsystems zu vermeiden.
5. Umwickeln Sie die Füße des Gefrierschranks, um Kratzer am Boden zu vermeiden. Bewegen Sie den Gefrierschrank niemals gewaltsam.

Viele auftretende Probleme können ohne spezielle Fachkenntnisse selbst behoben werden. Im Falle eines Problems prüfen Sie bitte alle aufgezeigten Möglichkeiten und befolgen die nachstehenden Anweisungen, bevor Sie sich an einen Kundendienst wenden.

Der akustische Alarm kann durch Drücken einer beliebigen Taste ausgeschaltet werden.

7.1 Fehlerbehebung

| Problem | Mögliche Ursache | Mögliche Lösung |
|--|---|--|
| Der Kompressor funktioniert nicht. | <ul style="list-style-type: none"> Der Netzstecker ist nicht an der Steckdose angeschlossen. | <ul style="list-style-type: none"> Schließen Sie den Netzstecker an. |
| Das Gerät läuft häufig oder zu lange. | <ul style="list-style-type: none"> Die Innen- oder Außentemperatur ist zu hoch. Das Gerät war eine Zeit lang ausgeschaltet. Die Tür des Gerätes ist nicht richtig geschlossen. Die Tür wurde zu oft oder zu lange geöffnet. Die Temperatureinstellung ist zu niedrig. Die Türdichtung ist verschmutzt, verschlissen, rissig oder sitzt nicht richtig. Die erforderliche Luftzirkulation ist nicht gewährleistet. Der Innenraum ist mit Eis bedeckt. | <ul style="list-style-type: none"> In diesem Fall ist es normal, dass das Gerät länger läuft. Normalerweise dauert es 8 bis 12 Stunden, bis das Gerät vollständig abgekühlt ist. Schließen Sie die Tür und vergewissern Sie sich, dass das Gerät auf einem ebenen Boden steht und keine Lebensmittel oder Behälter gegen die Tür stoßen. Öffnen Sie die Tür nicht zu oft. Stellen Sie die Temperatur höher ein, bis eine zufriedenstellende Temperatur erreicht ist. Es dauert 24 Stunden, bis die Temperatur stabil wird. Reinigen Sie die Türdichtung oder lassen Sie sie vom Kundendienst ersetzen. Sorgen Sie für eine ausreichende Belüftung. Tauen Sie das Gerät ab. |
| Das Gerät macht ungewöhnliche Geräusche. | <ul style="list-style-type: none"> Das Gerät wurde auf einer unebenen Fläche aufgestellt. Das Gerät berührt ein Objekt in der Nähe. Das Gerät steht auf einem Holzboden oder in der Nähe von Holzwänden. | <ul style="list-style-type: none"> Nivellieren Sie das Gerät. Entfernen Sie Gegenstände um das Gerät herum. Holz verstärkt das Geräusch. Stellen Sie das Gerät woanders auf. |
| Das Gerät macht ein Klickgeräusch | <ul style="list-style-type: none"> Das ist normal. Es wird durch Ein- oder Ausschalten des Kältegeräts verursacht. | <ul style="list-style-type: none"> |
| Es ist ein leises Geräusch wie von fließendem Wasser zu hören. | <ul style="list-style-type: none"> Das ist normal. | <ul style="list-style-type: none"> |

| Problem | Mögliche Ursache | Mögliche Lösung |
|--|--|---|
| Das Gerät macht ein Motorgeräusch | <ul style="list-style-type: none"> Das Kühlaggregat hat sich gerade eingeschaltet. Das ist normal. | <ul style="list-style-type: none"> |
| Es ist nicht kalt genug im Inneren des Geräts. | <ul style="list-style-type: none"> Die Temperatur ist zu hoch eingestellt. Zu viele Lebensmittel wurden gleichzeitig hineingelegt. Zu warme Speisen wurden hineingelegt. Die Waren liegen zu nahe beieinander. Die Tür ist nicht richtig geschlossen. Die Tür wurde zu oft oder zu lange geöffnet. | <ul style="list-style-type: none"> Setzen Sie die Temperatur zurück. Kühlen Sie die Waren vor der Lagerung immer ab. Lagern Sie immer kleine Mengen von Lebensmitteln. Lassen Sie Platz zwischen den Lebensmitteln, damit Luft zirkulieren kann. Schließen Sie die Tür. Öffnen Sie die Tür nicht zu oft. |
| Es ist zu kalt im Inneren des Geräts. | <ul style="list-style-type: none"> Die Temperatur ist zu niedrig eingestellt. Die Funktion Super Freeze ist aktiviert oder läuft zu lange. | <ul style="list-style-type: none"> Passen Sie die Temperatur an. Super Freeze-Funktion. |
| Feuchtigkeit sammelt sich auf der Oberfläche des Gerätes an. | <ul style="list-style-type: none"> Das Klima ist zu warm und zu feucht. | <ul style="list-style-type: none"> Dies ist in feuchtem Klima normal und ändert sich, wenn die Luftfeuchtigkeit abnimmt. Mit einem trockenen Tuch abwischen. |
| Starke Eis- und Frostbildung im Gefrierfach. | <ul style="list-style-type: none"> Die Waren waren nicht angemessen verpackt. Die Tür ist nicht richtig geschlossen. Die Tür wurde zu oft oder zu lange geöffnet. Die Türdichtung ist verschmutzt, verschlissen, rissig oder sitzt nicht richtig. Etwas an der Innenseite verhindert, dass sich die Tür richtig schließt. | <ul style="list-style-type: none"> Verpacken Sie die Waren immer gut. Schließen Sie die Tür. Öffnen Sie die Tür nicht zu oft. Reinigen Sie die Türdichtung oder lassen Sie sie vom Kundendienst ersetzen. Positionieren Sie die Einlegeböden, Türablagen oder Innenbehälter neu, damit sich die Tür schließen lässt. |
| Das Kühlsystem läuft nicht. | <ul style="list-style-type: none"> Der Netzstecker ist nicht an der Steckdose angeschlossen. Die Stromversorgung ist nicht intakt. | <ul style="list-style-type: none"> Schließen Sie den Netzstecker an. Überprüfen Sie die elektrische Stromversorgung des Raumes. Wenden Sie sich an den zuständigen Energieversorger! |
| Die Seiten des Schrankes und der Türleiste werden warm. | <ul style="list-style-type: none"> Das ist normal. | <ul style="list-style-type: none"> |
| Sie hören ein Alarmsignal. | <ul style="list-style-type: none"> Die Tür ist auf. Die Temperatur im Produkt ist zu hoch. | <ul style="list-style-type: none"> Schließen Sie die Tür oder schalten Sie den Alarm manuell stumm. |

| Problem | Mögliche Ursache | Mögliche Lösung |
|---|--|---|
| Die Tür lässt sich nur schwer öffnen | <ul style="list-style-type: none"> • Sobald das Gerät läuft, gibt es innen ein Vakuum. | <ul style="list-style-type: none"> • Öffnen Sie die Türdichtung behutsam, um Luft in das Gerät eintreten zu lassen. |
| Die Tür kann nicht richtig geschlossen werden. Es bleibt immer ein Spalt. | <ul style="list-style-type: none"> • Aufgrund der niedrigen Gerätetemperatur kann die • Türdichtung leicht hart und verformt werden. | <ul style="list-style-type: none"> • Nehmen Sie einen Fön oder legen Sie ein heißes Handtuch auf die Stelle, an der die Dichtung verformt ist. • Wenn die Dichtung wieder weich ist, schließen Sie die Tür und drücken sie fest an. |

7.2 Stromausfall

Bei einem Stromausfall sollten die Lebensmittel etwa 15 Stunden lang sicher kalt bleiben. Befolgen Sie diese Tipps bei einer längeren Stromunterbrechung, insbesondere im Sommer:

- ▶ Öffnen Sie die Tür so wenig wie möglich.
Legen Sie während einer Stromunterbrechung keine zusätzlichen Lebensmittel in den Gefrierschrank.
- ▶ Bei einer angekündigten Stromunterbrechung von mehr als 15 Stunden füllen Sie etwas Eis in einen Behälter und stellen ihn oben in das Gefrierfach.
- ▶ Da die Temperatur im Gefrierschrank während einer Stromunterbrechung oder eines anderen Ausfalls steigt, werden Lagerzeit und Qualität der Lebensmittel reduziert.
- ▶ Alle aufgetauten Lebensmittel sollten entweder verzehrt oder gegart und anschließend (sofern möglich) wieder eingefroren werden, um Gesundheitsrisiken zu vermeiden.



Hinweis: Speicherfunktion bei Stromunterbrechung

Nach Wiederherstellung der Stromversorgung fährt das Gerät mit den Einstellungen fort, die vor dem Stromausfall eingestellt wurden.

7.3 Stromausfall

Parameter und Austausch der LED-Lampe

LED Lampe Parameter: 12V, 6W

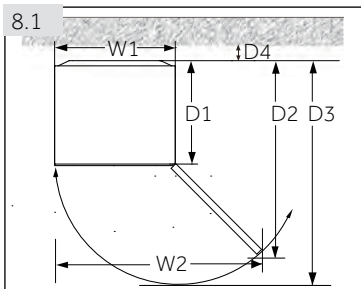
Die LED-Lampe hat geringen Energieverbrauch und eine lange Lebensdauer. Wenn es eine Abnormität gibt, bitte zerlegen Sie nicht selbst. Bitte wenden Sie sich an die After-Sales-Mitarbeiter für den Service von Tür zu Tür.

8.1 Auspacken

- ▶ Nehmen Sie das Gerät aus der Verpackung.
- ▶ Entfernen Sie alle Verpackungsmaterialien.

8.2 Umgebungsbedingungen

Die Raumtemperatur sollte immer zwischen 18 °C und 43 °C liegen, da sie die Temperatur im Inneren des Geräts und dessen Energieverbrauch beeinflussen kann. Stellen Sie das Gerät nicht ohne Isolierung in der Nähe wärmeabgebender Geräte (Backöfen, Kühlschränke) auf.

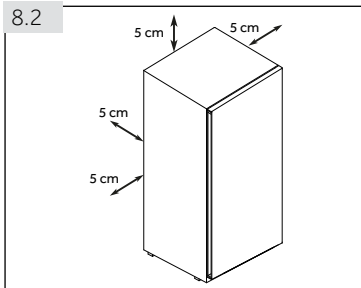


8.3 Platzbedarf

Benötigter Platz zum Öffnen der Tür (Abb. 8.1):

| Breite in mm | | Tiefe in mm | | | Abstand zur Wand in mm |
|--------------|------|-------------|------|------|------------------------|
| W1 | W2 | D1 | D2 | D3 | D4 |
| 705 | 1076 | 603 | 1243 | 1327 | 50 |

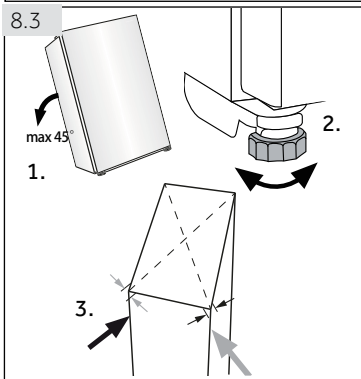
Für ein freistehendes Gerät: Dieses Kühlgerät ist nicht als eingebautes Gerät vorgesehen.



8.4 Lüftungsquerschnitt

Aus Sicherheitsgründen ist eine ausreichende Belüftung des Gerätes zu gewährleisten. Daher sind die Angaben zu den erforderlichen Lüftungsquerschnitten zu beachten (Abb. 8.2).

Freistehendes Gerät: Dieses Kühlgerät ist nicht für die Verwendung als Einbaugerät vorgesehen.



8.5 Ausrichten des Geräts

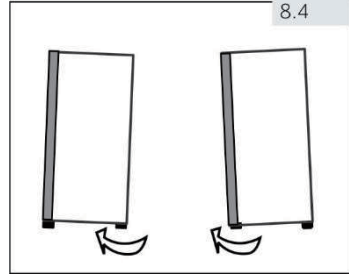
Das Gerät sollte auf einer flachen und robusten Fläche aufgestellt werden. Wenn das Gerät auf einen Sockel gestellt wird, müssen feste und feuerfeste Materialien verwendet werden. Verwenden Sie keinesfalls das Schaumstoffverpackungsmaterial als Sockel.

1. Kippen Sie das Gerät leicht nach hinten (Abb. 8.3).
2. Stellen Sie die Füße auf die gewünschte Höhe ein.
3. Die Stabilität kann durch abwechselndes Anstoßen an den Diagonalen überprüft werden. Das leichte Schwanken sollte in beiden Richtungen gleich sein. Andernfalls kann sich der Rahmen verziehen und die Funktionsfähigkeit der Türdichtungen beeinträchtigt werden. Eine geringe Neigung nach hinten erleichtert das Schließen der Tür.

8.6 Verstellbare FüÙen

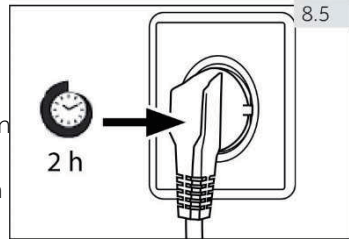
Wenn der Gefrierschrank instabil ist, können die FüÙe eingestellt werden: Drehen Sie die verstellbaren FüÙe gemäß Pfeilrichtung (Abb. 8.4), um sie nach oben oder unten zu drehen:

- ▶ Durch Drehen der FüÙe im Uhrzeigersinn wird das Gerät angehoben.
- ▶ Durch Drehen gegen den Uhrzeigersinn wird es abgesenkt.



8.6 Verstellbare FüÙen

Zur wartungsfreien Schmierung befindet sich Öl in der Kapsel des Kompressors. Dieses Öl kann bei einem Schrägtransport in das geschlossene Leitungssystem gelangen. Bevor Sie das Gerät an die Stromversorgung anschließen, müssen Sie 2 Stunden warten (Abb. 8.5), damit das Öl zurückfließen kann.



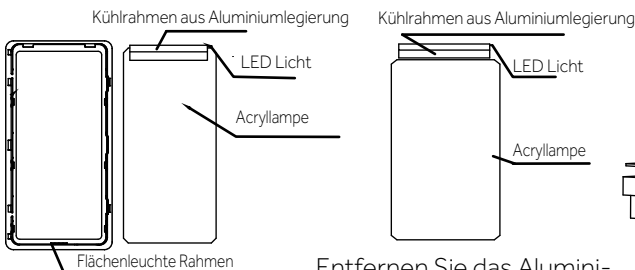
8.8 Elektrischer Anschluss

Prüfen Sie vor jedem Anschluss, dass:

- ▶ Stromquelle, Steckdose und Sicherung müssen den Angaben auf dem Typenschild entsprechen.
- ▶ Die Steckdose muss geerdet sein. Es darf keine Mehrfachsteckdose oder ein Verlängerungskabel verwendet werden.
- ▶ Netzstecker und Steckdose müssen den Vorgaben entsprechen.

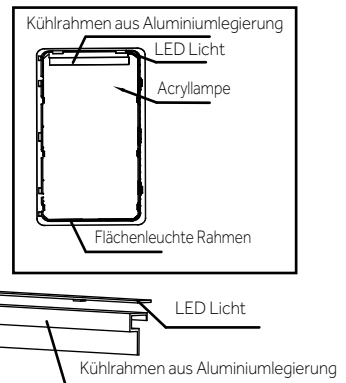
Schließen Sie den Stecker an eine ordnungsgemäß installierte Haushaltssteckdose an.

8.9 Diagramm der Flächenlichtquelle



Drücken Sie die Schnalle, um den Flächenlichtrahmen und die Flächenlichtquelle zu spalten

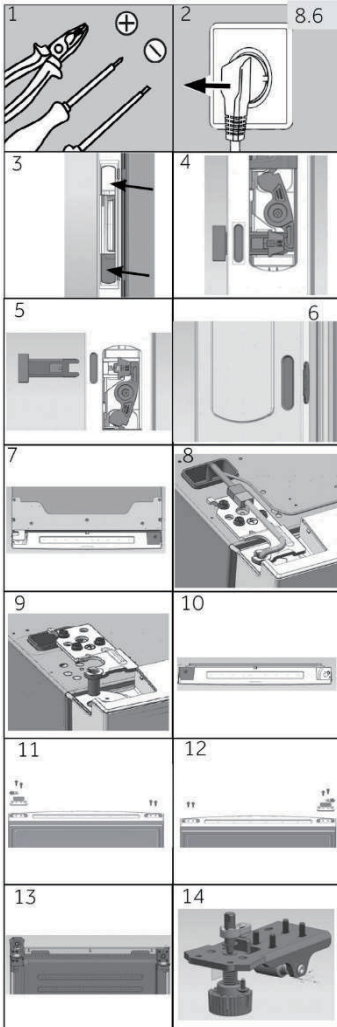
Entfernen Sie das Aluminium-Foil-Band auf beiden Seiten des Kühlerahmens der Aluminiumlegierung, und der Kühlerahmen aus Aluminium-Legierung kann entfernt werden



Trennen Sie den Kühlerahmen für LED Licht und Aluminiumlegierung (doppelseitige Klebeverbindung)

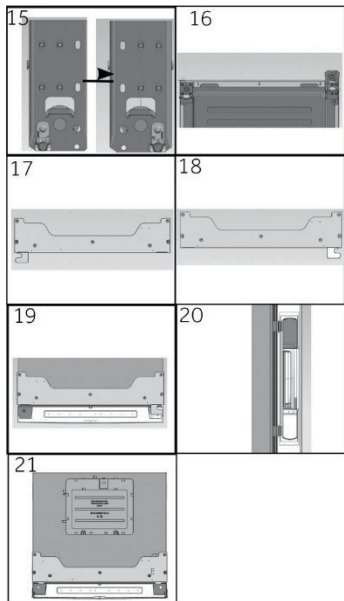
8.10 Tü rumkehrbarkeit

Bevor Sie das Gerät an die Stromversorgung anschließen, sollten Sie prüfen, ob die Türschaukel von links (wie mitgeliefert) nach rechts gewechselt werden muss, falls dies aufgrund des Einbauortes und der Verwendbarkeit erforderlich ist.



Montageschritte (Bild 8.6):

1. Erforderliches Werkzeug bereithalten.
2. Gerät abtrennen.
3. Öffnen Sie die obere und untere Griffabdeckung auf der rechten Seite der Tür.
4. Drücken Sie leicht gegen den weißen Gleiter.
5. Nehmen Sie die 2 Betätigungsstangen heraus und setzen Sie die Griffabdeckung wieder auf.
6. Entfernen Sie die 2 Gummistopfen auf der linken Seite der Tür und setzen Sie sie mit den entfernten Betätigungsstangen für Schritt 20 ein.
7. Entfernen Sie 7 Schrauben und die Scharnierabdeckung. Achten Sie darauf, das Türkabel nicht abzureißen.
8. Trennen Sie das Anschlusskabel ab.
9. Entfernen Sie 3 Scharnierschrauben sowie das linke obere Scharnier und entfernen Sie die Tür vorsichtig.
10. Legen Sie die Tür auf Karton oder einem Tuch horizontal ab. Entfernen Sie die rechte Türendabdeckung und nehmen Sie die linke Endabdeckung aus dem Zubehörbeutel. Bringen Sie sie oben links an der Tür an.
11. Entfernen Sie 2 Schrauben an der rechten Unterseite der Tür. Entfernen Sie 2 Schrauben, Türstopper und Abdeckung an der linken Unterseite der Tür.
12. Nehmen Sie den Türstopper aus dem letzten Schritt und die rechte Abdeckung aus dem Zubehörbeutel und befestigen Sie sie mit 2 Schrauben. Bringen Sie 2 Schrauben auch auf der anderen Seite der Tür an.
13. Legen Sie die Rückseite des Schanks ab, nachdem Sie dickere Polster darunter platziert haben. Entfernen Sie 4 Schrauben und das untere Scharnier.
14. Schrauben Sie die Abdeckung ab.



15. Nehmen Sie die rechte Abdeckung aus dem Zubehörbeutel. Befestigen Sie sie mit der Schraube.
16. Tauschen Sie die Positionen der Platte und des unteren Scharniers aus.
17. Entfernen Sie die linke kleine Scharnierabdeckung und den Scharnierdeckel von der Scharnierabdeckung.
18. Wechseln Sie den Scharnierdeckel auf die andere Seite und nehmen Sie den rechten kleinen Scharnierdeckel aus dem Zubehörbeutel. Montieren Sie ihn an der Scharnierabdeckung.
19. Montieren Sie die Tür sowie das linke Scharnier, schließen Sie das Anschlusskabel an, und befestigen Sie die Scharnierabdeckung mit Schrauben.
20. 20. Installieren Sie die entfernte Betätigungsstange auf der linken Seite der Tür und stecken Sie dann die Gummistopfen in die Öffnung für die Betätigungsstange auf der rechten Seite der Tür.
21. Fertig.

Mindestgarantie ist: 2 Jahre für EU-Länder, 3 Jahre für die Türkei, 1 Jahr für Großbritannien, 1 Jahr für Russland, 3 Jahre für Schweden, 2 Jahre für Serbien, 5 Jahre für Norwegen, 1 Jahr für Marokko, 6 Monate für Algerien, für Tunesien keine gesetzliche Garantie erforderlich. Thermostate, Temperatursensoren, Leiterplatten und Lichtquellen sind für einen Zeitraum von mindestens sieben Jahren nach dem Inverkehrbringen des letzten Geräts des Modells erhältlich. Türgriffe, Türscharniere, Schalen und Körbe für eine Mindestdauer von sieben Jahren und Türdichtungen für eine Mindestdauer von zehn Jahren nach dem Inverkehrbringen der letzten Einheit des Modells.

Weitere Informationen zum Produkt finden Sie unter

<https://eprel.ec.europa.eu/> oder scannen Sie den QR-Code auf dem Energieetikett am Gerät.

Um den technischen Kundendienst zu kontaktieren, besuchen Sie unsere Website:

<https://corporate.haier-europe.com/de/>

Wählen Sie im Abschnitt "Website" die Marke Ihres Produkts und Ihr Land.

Sie werden auf die entsprechende Website weitergeleitet, wo Sie die Telefonnummer und das Formular zur Kontaktaufnahme mit dem technischen Kundendienst finden.

| | | |
|--|------------------|----------|
| Markenzeichen | Haier | |
| Modellbezeichnung | H2F385*F | H2F385*D |
| Modellkategorie | Gefrierschrank | |
| Energieeffizienzklasse | F | D |
| Jährlicher Energieverbrauch (kWh/Jahr) ¹⁾ | 356 | 228 |
| Kühltagervolumen (L) | nicht zutreffend | |
| Gefrierlagervolumen (L) **** | 386 | |
| Sterne-Standard | **** | |
| Temperatur anderer Fächer > 14 °C | nicht zutreffend | |
| Anti-Frost-System | ja | |
| Stromausfallsicher (h) | 11.5 | 11.5 |
| Gefrierkapazität (kg/24 h) | 19.5 | 19.5 |
| Klimaklasse: Dieses Gerät ist für den Einsatz bei einer Umgebungstemperatur zwischen 10 °C und 43 °C vorgesehen. | SN-T | |
| Geräuschemission (dB(A)) | 39 | |
| Bauweise | freistehend | |

1) basierend auf Standardtestergebnissen über 24 Stunden. Tatsächlicher Energieverbrauch hängt von Einsatz und Aufstellungsort des Gerätes ab

Spezifikationsdetails entnehmen Sie bitte dem Typenschild und dem Energieetikett im Inneren des Produkts.

Dieses Gerät ist für eine Verwendung unter den unten angegebenen Umgebungstemperaturen vorgesehen:

| | |
|----|----------------|
| SN | + 10 °C~+32 °C |
| N | + 16 °C~+32 °C |
| ST | + 16 °C~+38 °C |
| T | + 16 °C~+43 °C |

11.2 Zusätzliche technische Daten

| | |
|-------------------------------|--------------------------------|
| Spannung/Frequenz | 220-240V Wechselspannung/ 50Hz |
| Rated current (A) | 1.5 |
| Kühlmittel | R600a |
| Abmessungen (H × B × T in cm) | 172,5/70,5/69,1 |

H2F385*F/*D_DE

Haier



Manuel de l'utilisateur

Congélateur vertical

H2F385*F

H2F385*D

* - Colour code

FR

Haier

Merci d'avoir acheté un produit Haier.

Veuillez lire attentivement ces instructions avant d'utiliser cet appareil. Le mode d'emploi contient des informations importantes qui vous aideront à tirer le meilleur parti de l'appareil et à garantir une installation, une utilisation et un entretien sûrs et appropriés.

Conservez ce manuel dans un endroit pratique afin de pouvoir vous y référer à tout moment pour une utilisation sûre et correcte de l'appareil.

Si vous vendez l'appareil, le donnez ou le laissez derrière vous lorsque vous déménagez, assurez-vous de transmettre également ce manuel afin que le nouveau propriétaire puisse se familiariser avec l'appareil et les avertissements de sécurité.

AVERTISSEMENT : Risque d'incendie/matériau inflammable. Le symbole indique qu'il y a un risque d'incendie car des matériaux inflammables sont utilisés. Veillez à ne pas provoquer d'incendie en manipulant des matériaux inflammables.

Légende



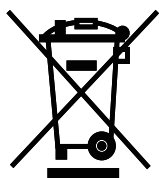
Renseignements généraux et conseils



Avertissement - Consignes importantes de sécurité



Informations sur l'environnement



Mise au rebut

Contribuer à la protection de l'environnement et de la santé humaine. Veuillez mettre les emballages au rebut dans les contenants prévus pour leur recyclage. Contribuez à recycler les déchets d'appareils électriques et électroniques. Veuillez à ne pas mettre au rebut les appareils ayant ce symbole avec les déchets ménagers. Veuillez déposer l'appareil à votre usine de recyclage locale, ou prendre contact avec votre bureau municipal.



**LE TRI
+ FACILE**



Avertissement !

Risque de blessure ou d'asphyxie !

Les réfrigérants et les gaz doivent être mis au rebut par des professionnels. Avant toute mise au rebut, assurez-vous que la tuyauterie du système de réfrigération n'est pas endommagée. Débranchez l'appareil du secteur. Coupez le câble d'alimentation et mettez l'appareil au rebut. Retirez la porte, le loquet de la porte et les scellés pour éviter qu'un enfant ou un animal domestique ne soit coincé dans l'appareil.

| | |
|---------------------------------|----|
| 1 - Sécurité..... | 4 |
| 2 - Utilisation prévue | 11 |
| 3 - Description du produit..... | 12 |
| 4 - Utilisation..... | 13 |
| 5 - Équipement | 17 |
| 6 - Entretien et nettoyage..... | 18 |
| 7 - Dépannage..... | 20 |
| 8 - Installation..... | 23 |
| 9 - Données techniques | 27 |

Avant de mettre l'appareil en marche pour la première fois, lisez les conseils de sécurité suivants !

AVERTISSEMENT !

Avant la première utilisation

- ▶ Assurez-vous qu'il n'y ait aucun dégât de transport.
- ▶ Retirez tous les emballages et gardez-les hors de portée des enfants.
- ▶ Attendez au moins deux heures avant d'installer l'appareil afin de vous assurer que le circuit frigorifique est pleinement efficace.
- ▶ Manipulez toujours l'appareil avec au moins deux personnes car il est lourd.

Installation

- ▶ L'appareil doit être placé dans un endroit bien ventilé. Assurez-vous d'avoir un espace d'au moins 5 cm au-dessus et autour de l'appareil.
- ▶ **AVERTISSEMENT :** Veillez à ce que les ouvertures de ventilation de l'appareil ou de la structure intégrée ne soient pas obstruées.
- ▶ Ne placez jamais l'appareil dans un endroit humide ou dans un endroit où il pourrait être éclaboussé par de l'eau. Nettoyez et essuyez les éclaboussures et les taches d'eau avec un chiffon doux et propre.
- ▶ N'installez pas l'appareil à la lumière directe du soleil ou à proximité de sources de chaleur (par exemple, des cuisinières, des radiateurs).
- ▶ Installez et mettez l'appareil à niveau dans un endroit adapté à sa taille et à son utilisation.
- ▶ Assurez-vous que les informations électriques figurant sur la plaque signalétique correspondent à l'alimentation électrique. Si ce n'est pas le cas, contactez un électricien.
- ▶ L'appareil fonctionne avec une alimentation électrique de 220-240 VAC/50 Hz.
- ▶ Une fluctuation anormale de la tension peut empêcher le démarrage de l'appareil, endommager le régulateur de température ou le compresseur ou provoquer un bruit anormal lors du fonctionnement. Dans ce cas, un régulateur automatique doit être monté.
- ▶ N'utilisez pas d'adaptateurs multiprises ni de rallonges.
- ▶ **AVERTISSEMENT :** Ne placez pas de multiprises ni de blocs d'alimentation portables à l'arrière de l'appareil.
- ▶ **AVERTISSEMENT :** Lors de l'installation de l'appareil, veillez à ce que le cordon d'alimentation ne soit pas coincé ni endommagé.
- ▶ N'écrasez pas le câble d'alimentation.
- ▶ Assurez-vous que le câble d'alimentation n'est pas coincé par le congélateur.
- ▶ Ne couvrez pas les ouvertures de ventilation.
- ▶ Utilisez une prise de courant séparée avec mise à la terre pour l'alimentation électrique, qui soit facilement accessible. L'appareil doit être mis à la terre.
- ▶ En mode réfrigération sans compartiment 4 étoiles : cet appareil frigorifique n'est pas adapté à la congélation des denrées alimentaires; en mode congélation avec compartiment 4 étoiles, cet appareil de congélation n'est pas pour réfrigérer les denrées alimentaires.

AVERTISSEMENT !

- ▶ **AVERTISSEMENT :** N'endommagez pas le circuit réfrigérant.

Utilisation quotidienne

- ▶ Cet appareil peut être utilisé par des enfants âgés de 8 ans et plus, par des personnes dont les capacités physiques, sensorielles ou mentales sont réduites ou par des personnes dénuées d'expérience et de connaissances, mais qui ont été informées sur la manière d'utiliser l'appareil en toute sécurité, si elles comprennent les risques impliqués.
- ▶ Les enfants ne doivent pas jouer avec l'appareil.
- ▶ Les enfants âgés de 3 à 8 ans sont autorisés à charger et à décharger les appareils frigorifiques, mais ne sont pas autorisés à les nettoyer ni à les installer.
- ▶ Tenez les enfants de moins de 3 ans éloignés de l'appareil, sauf s'ils sont constamment surveillés.
- ▶ L'entretien et le nettoyage ne doivent pas être effectués par des enfants sans surveillance.
- ▶ L'appareil doit être placé de manière à ce que la prise soit accessible. Si du gaz de charbon ou un autre gaz inflammable fuit à proximité de l'appareil, éteignez la vanne du gaz qui fuit, ouvrez les portes et les fenêtres et ne débranchez pas le câble d'alimentation du congélateur ou de tout autre appareil.
- ▶ Notez que l'appareil est réglé pour fonctionner à une température ambiante spécifique comprise entre 10°C et 43°C. L'appareil peut ne pas fonctionner correctement s'il est laissé pendant une longue période à une température supérieure ou inférieure à la plage indiquée.
- ▶ Ne placez pas d'articles installés de façon instable (objets lourds, récipients remplis d'eau) sur le dessus du congélateur, pour éviter des blessures corporelles causées par une chute ou un choc électrique causé par le contact avec de l'eau.
- ▶ Ne stockez pas et n'utilisez pas de matériaux inflammables, explosifs ou corrosifs dans l'appareil ou à proximité.
- ▶ Ne soulevez pas l'appareil par les poignées.
- ▶ Ne placez jamais l'appareil horizontalement sur le sol lorsque vous le déplacez.
- ▶ Avant toute opération, débranchez d'abord l'appareil du secteur.
- ▶ N'inclinez pas l'appareil de plus de 45° pour éviter d'endommager le système de refroidissement lors du déplacement de l'appareil.
- ▶ Débranchez l'appareil en cas de coupure de courant ou avant de le nettoyer.
- ▶ Attendez au moins 7 minutes avant de redémarrer l'appareil, car les redémarrages fréquents risquant d'endommager le compresseur.
- ▶ Vérifiez l'état des aliments si le congélateur s'est réchauffé.

AVERTISSEMENT !

- ▶ Ne tirez pas sur les étagères de la porte. La porte pourrait être tirée de travers, les balconnets de la porte pourraient se détacher ou l'appareil basculer.
- ▶ Ouvrez et fermez les portes uniquement à l'aide des poignées. L'espace entre la porte et l'armoire est très étroit. Ne mettez pas vos mains dans ces endroits pour éviter de vous pincer les doigts. Ouvrez ou fermez les portes de l'appareil uniquement lorsqu'aucun enfant ne se trouve dans la zone de mouvement de la porte.
- ▶ Ne stockez jamais de bière ou de boissons en bouteille dans le congélateur, car elles risquent d'éclater pendant la congélation.
- ▶ Ne stockez pas de substances explosives comme des bombes aérosols dotées d'un gaz propulseur inflammable, dans l'appareil.
- ▶ Ne conservez pas de médicaments, de bactéries ou d'agents chimiques dans l'appareil.
- ▶ Cet appareil est un appareil électroménager. Il n'est pas recommandé pour stocker des denrées qui nécessitent des températures strictes.
- ▶ Ne stockez jamais de liquides en bouteilles ou en canettes (sauf les spiritueux à fort pourcentage), en particulier les boissons gazeuses, dans le congélateur, car elles éclateraient au moment de la congélation.
- ▶ Ne réglez pas inutilement la température à un niveau bas dans le compartiment du congélateur. Des températures négatives peuvent se produire lorsque le réglage est très bas. Attention : Les bouteilles peuvent éclater.
- ▶ Ne touchez pas les produits congelés avec les mains mouillées (porter des gants). Ne mangez surtout pas de bâtonnets de glace immédiatement après les avoir retirés du compartiment congélateur. Il existe un risque de gel ou de formation d'ampoules suite au gel. PREMIERS SECOURS : placer immédiatement sous l'eau froide courante. Ne vous éloignez pas !
- ▶ Ne touchez pas la surface intérieure du compartiment de stockage du congélateur lorsqu'il est en service, surtout avec les mains mouillées, car vos mains pourraient geler sur la surface.
- ▶ **AVERTISSEMENT :** N'utilisez pas d'appareils électriques à l'intérieur des compartiments de stockage des aliments de l'appareil, sauf s'ils sont du type recommandé par le fabricant.
- ▶ **AVERTISSEMENT :** Les lampes peuvent être remplacées uniquement par le fabricant, en même temps qu'une pièce de l'appareil.
- ▶ **AVERTISSEMENT :** Si vous n'êtes pas sûr du type de réfrigérant, vérifiez la plaque signalétique de l'appareil. Il est dangereux pour toute personne autre qu'un réparateur agréé d'entretenir cet appareil. Dans le Queensland, le réparateur agréé DOIT être titulaire d'une autorisation de travail pour les réfrigérants hydro-carbonés, pour effectuer des travaux d'entretien ou de réparation qui impliquent le retrait des couvercles.

 **AVERTISSEMENT !****Entretien/nettoyage**

- ▶ Veillez à surveiller les enfants s'ils doivent procéder au nettoyage ou à l'entretien de l'appareil.
- ▶ Débranchez l'appareil du réseau électrique avant d'effectuer tout entretien ordinaire. Attendez au moins 7 minutes avant de redémarrer l'appareil, car les redémarrages fréquents risquant d'endommager le compresseur.
- ▶ Tenez la fiche, et non le câble, lorsque vous débranchez l'appareil.
- ▶ Ne nettoyez pas l'appareil avec des brosses dures, des brosses métalliques, de la poudre détergente, de l'essence, de l'acétate d'amyle, de l'acétone et des solutions organiques similaires, des solutions acides ou alcalines. Veuillez nettoyer avec un détergent spécial pour congélateur pour éviter tout dommage.
- ▶ Ne grattez pas le givre et la glace avec des outils ou des objets pointus. N'utilisez pas d'aérosols, de dispositifs de chauffage électrique comme un radiateur, un sèche-cheveu, des nettoyeurs à la vapeur ou d'autres sources de chaleur pour éviter d'endommager les parties en plastique.
- ▶ **AVERTISSEMENT :** N'utilisez pas d'outils mécaniques ou d'autres moyens pour accélérer le processus de dégivrage, que ceux recommandés par le fabricant.
- ▶ Si le câble d'alimentation est endommagé, il doit être remplacé par le fabricant, son agent d'entretien ou des personnes possédant le même type de qualification, afin d'éviter tout risque.
- ▶ N'essayez pas de réparer, de démonter ou de modifier l'appareil vous-même. Si une réparation s'avère nécessaire, veuillez contacter notre service client.
- ▶ Éliminez la poussière accumulée à l'arrière de l'appareil au moins une fois par an pour éviter les risques d'incendie, mais aussi pour réduire la consommation d'énergie.
- ▶ N'aspergez pas et ne rincez pas l'appareil lors du nettoyage.
- ▶ N'aspergez pas d'eau l'appareil et n'utilisez pas de vapeur pour le nettoyer.
- ▶ Ne nettoyez pas les étagères en verre froides ou la porte en verre froides avec de l'eau chaude. Un soudain changement de température risquerait de briser le verre.
- ▶ Débranchez l'appareil de l'alimentation électrique avant de le nettoyer.
- ▶ Si la température est trop élevée, vérifiez l'état des produits congelés.
- ▶ Avant l'entretien, éteignez l'appareil et débranchez la fiche de la prise de courant.
- ▶ L'équipement électrique ne doit être entretenu que par des experts en électricité qualifiés, car des réparations inadéquates peuvent causer des dommages indirects considérables.

Informations sur les gaz réfrigérants



AVERTISSEMENT !

Entretien/nettoyage

L'appareil contient le réfrigérant inflammable ISOBUTANE (R600a). Assurez-vous que le circuit de refroidissement n'ait pas été endommagé pendant le transport ou l'installation. Les fuites de réfrigérant peuvent provoquer des blessures aux yeux ou s'enflammer. Si un dommage s'est produit, éloignez les foyers ouverts, aérez soigneusement la pièce, ne branchez pas et ne débranchez pas les câbles d'alimentation de l'appareil ou de tout autre appareil. Informez le service clientèle.

En cas de contact des yeux avec le réfrigérant, rincez-les immédiatement sous l'eau courante et appelez immédiatement un médecin spécialiste des yeux.

AVERTISSEMENT : Le système de réfrigération est sous haute pression. Ne n'altérez pas. Des réfrigérants inflammables étant utilisés, veuillez installer, manipuler et entretenir l'appareil en respectant strictement ces instructions et contactez un organisme spécialisé ou notre service après-vente pour procéder à la mise au rebut de l'appareil.



AVERTISSEMENT !

- ▶ Attention à ne pas provoquer d'incendie en enflammant des matériaux inflammables.
- ▶ **AVERTISSEMENT:** Lors de l'installation de l'appareil, veillez à ce que le cordon d'alimentation ne soit pas coincé ni endommagé.
- ▶ **AVERTISSEMENT:** Ne placez pas de multiprises ni de blocs d'alimentation à l'arrière de l'appareil.
- ▶ Ne stockez pas de substances explosives comme des bombes aérosols dotées d'un gaz propulseur inflammable, dans l'appareil.
- ▶ Si des réfrigérants inflammables sont utilisés dans le congélateur, soyez prudents lors de l'installation, de la manipulation, du service et du recyclage de l'appareil.
- ▶ Vu que le gaz de soufflage inflammable a été utilisé, veuillez contacter l'agent de service pour éliminer l'appareil.

Utilisation prévue

Cet appareil est destiné à un usage domestique et à d'autres applications similaires telles que

- les espaces cuisine du personnel des magasins, des bureaux et autres espaces de travail ;
- les fermes et par les clients des hôtels, des motels et autres environnements de type résidentiel ;
- dans les environnements de type chambre d'hôtes ;
- chez les traiteurs et dans les applications autres que de vente au détail similaires.

► Si l'appareil ne va pas être utilisé pendant longtemps.

- Sortez les aliments.
- Débranchez le câble d'alimentation.
- Nettoyez l'appareil comme décrit ci-dessus.
- Laissez les portes ouvertes pour éviter la formation de mauvaises odeurs à l'intérieur.

► Pour garantir une bonne conservation des aliments, veuillez respecter ces consignes d'utilisation.

► Les informations concernant l'endroit le plus approprié dans l'appareil où stocker tel type d'aliment, compte tenu des différences de température à l'intérieur de l'appareil, se trouvent dans l'autre partie du manuel.


► Pour éviter toute contamination de la nourriture, veuillez respecter les consignes suivantes :

- L'ouverture prolongée de la porte peut entraîner une hausse significative de la température dans les compartiments de l'appareil.
- Nettoyez régulièrement les surfaces entrant en contact avec les aliments et les systèmes d'évacuation accessibles.
- Placez la viande et le poisson crus dans des récipients adaptés avant de les mettre au congélateur, afin qu'ils n'entrent pas en contact avec d'autres aliments ou ne coulent pas dessus.
- Les compartiments de congélation « deux étoiles » sont adaptés au stockage des aliments pré-congelés, au stockage et à la fabrication des crèmes glacées et à la formation des glaçons.

- Les compartiments « une, deux et trois étoiles » ne sont pas adaptés à la congélation des aliments frais.
- Si le réfrigérateur doit rester vide pendant des périodes prolongées, mettez-le hors tension, dégivrez-le, nettoyez-le, séchez-le et laissez la porte ouverte pour éviter la formation de moisissures à l'intérieur.

Mise au rebut



Le symbole  figurant sur le produit ou sur son emballage indique que ce produit ne peut pas être traité comme un déchet ménager. Il doit plutôt être remis au point de collecte approprié pour le recyclage des équipements électriques et électroniques. En veillant à ce que ce produit soit éliminé correctement, vous aidez à prévenir d'éventuelles conséquences négatives pour l'environnement et la santé humaine, qui pourraient résulter d'une élimination inappropriée de ce produit. Pour obtenir des informations plus détaillées sur le recyclage de ce produit, veuillez contacter votre mairie, votre service d'élimination des déchets ménagers ou le magasin où vous avez acheté le produit.

Des gaz de soufflage isolants inflammables étant utilisés, veuillez contacter un organisme spécialisé ou notre service après-vente pour procéder à la mise au rebut de l'appareil.



AVERTISSEMENT !

Risque de blessure ou d'étouffement !

Les réfrigérants et les gaz doivent être éliminés de manière professionnelle. Assurez-vous que les tuyaux du circuit frigorifique ne sont pas endommagés avant de les éliminer correctement. Débranchez l'appareil du réseau électrique. Coupez le câble d'alimentation et jetez-le. Retirez les plateaux et les tiroirs ainsi que le loquet et les joints de la porte pour éviter que les enfants et les animaux domestiques ne soient enfermés dans l'appareil.

2.1 Utilisation prévue

Cet appareil est destiné à un usage domestique et à d'autres applications similaires telles que

- Les espaces cuisine du personnel des magasins, des bureaux et autres espaces de travail ;
- Les fermes et par les clients des hôtels, des motels et autres environnements de type résidentiel ;
- Dans les environnements de type chambre d'hôtes ;
- Chez les traiteurs et dans les applications autres que de vente au détail similaires.

Cet appareil est prévu pour la congélation des aliments. Il a été conçu exclusivement pour être utilisé dans des habitations à intérieur sec. Il n'est pas conçu pour une utilisation commerciale ou industrielle.

Les changements ou modifications de l'appareil ne sont pas autorisés. Une mauvaise utilisation peut entraîner des risques et la déchéance de la garantie.

2.2 Accessoires

Vérifiez les accessoires et la documentation conformément à cette liste :

2.2



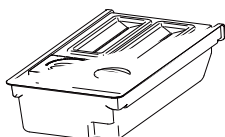
Étiquetage
énergétique



Carte de garantie



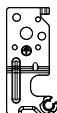
Carte de garantie



Machine à glaçons
fournie avec une
cuillère à glace



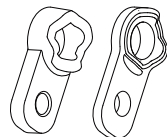
Couverture de
l'extrémité supé-
rieure gauche de
garnissage



Charnière supérieure
droite pour la révers-
ibilité de la porte



Couvercle de la charnière
supérieure droite



Couvre-goupille



Remarque : Différence

En raison de changements techniques et de modèles différents, certaines illustrations de ce manuel peuvent différer de votre modèle.



- | | | | |
|---|---------------------------------|---|-----------------------------------|
| 1 | Éclairage à LED | 6 | Balconnets de la porte ajustables |
| 2 | Couverture du conduit d'air | 7 | Plaque signalétique |
| 3 | Clayettes en verre | 8 | Poignée de porte |
| 4 | Bacs de stockage du congélateur | 9 | Ice Maker rotatif |
| 5 | Pieds réglables | | |

Remarque : ce produit contient une source de lumière appartenant à la classe d'efficacité énergétique <G>.

4.1 Avant la première utilisation

- ▶ Éliminez tous les matériaux d'emballage, gardez-les hors de portée des enfants et éliminez-les dans le respect de l'environnement.
- ▶ Nettoyez l'intérieur et l'extérieur de l'appareil avec de l'eau et un détergent doux avant d'y mettre des aliments.
- ▶ Après avoir nivelé et nettoyé l'appareil, attendez au moins 2 heures avant de le brancher à l'alimentation électrique. Voir la section INSTALLATION.
- ▶ Pré-refroidir le compartiment pendant 2 heures à un réglage élevé avant d'y stocker des aliments. La fonction Super Freeze permet de refroidir rapidement le compartiment.



Les différents aliments doivent être placés dans des zones différentes en fonction de leurs propriétés (Fig. 4.1).

Il est recommandé d'entreposer la viande, le poisson, la pizza et d'autres aliments congelés dans des congélateurs.

Les aliments peuvent être conservés au congélateur à une température d'au moins -18°C pendant 2 à 12 mois, selon leurs propriétés (par exemple, la viande : 3-12 mois, légumes : 6-12 mois)

Afin d'éviter l'expiration des délais de conservation, notez la date de congélation, le délai et le nom de l'aliment sur l'emballage en fonction des délais de conservation des différents aliments.

4.2 Allumer/éteindre l'appareil

L'appareil se met à fonctionner dès qu'il est connecté à l'alimentation.

- ▶ La température du congélateur est automatiquement réglée à -18°C . C'est le réglage recommandé et la température idéale pour les produits congelés. Si vous le souhaitez, vous pouvez modifier la température manuellement. Veuillez consulter AJUSTEMENT DE LA TEMPÉRATURE.



Remarque : Pré-réglages

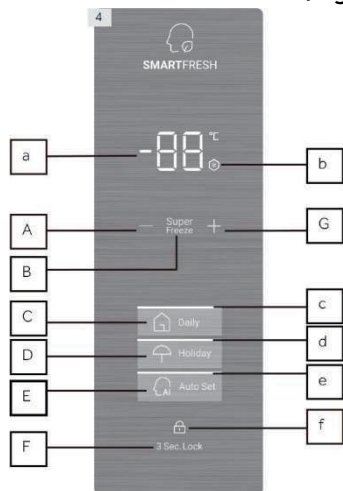
1. L'appareil est pré-réglé à la température recommandée de -18°C . Dans des conditions ambiantes normales, il n'est pas nécessaire de modifier la température.
2. Lorsque l'appareil est allumé après avoir été débranché de l'alimentation principale, jusqu'à 12 heures peuvent être nécessaires pour atteindre les températures nécessaires.

Videz l'appareil avant de le débrancher. Pour débrancher l'appareil, retirez le cordon d'alimentation de la prise d'alimentation.

4.3 Mode de veille d'affichage

Lorsque la porte est fermée, l'écran d'affichage s'éteint automatiquement 30 secondes après avoir été laissé sans surveillance. L'écran d'affichage est automatiquement verrouillé. Il se rallume automatiquement dès que vous appuyez sur une touche ou que vous ouvrez la porte.

4.4 Panneau de commande (Fig. 4)



Description des icônes

- a: Icône d'affichage de la température
- b: Icône Super Freeze (Super Surgélation)
- c: Icône de fonction Daily (journalières)
- d: Icône Holiday (vacances)
- e: Icône Auto Set (réglage automatique)
- f: Icône Lock

Description des touches

- A: Touche de réglage de diminution de la température : Appuyez pour diminuer la température
- B: Touche Super Freeze : Appuyez pour activer la fonction Super Freeze
- C: Touche de fonction Daily : Appuyez pour activer les fonctions Daily
- D: Touche Holiday : Appuyez pour activer la fonction Holiday
- E: Touche Auto Set : Appuyez pour activer la fonction Auto Set
- F: Touche Lock : Appuyez et maintenez pendant 3 secondes pour verrouiller ou déverrouiller
- G: Touche de réglage d'augmentation de la température : Appuyez pour augmenter la température

4.5 Verrouillage et déverrouillage de l'affichage

Verrouillage automatique

Le panneau de contrôle peut entrer automatiquement dans la fonction Lock. L'affichage est automatiquement verrouillé après 30 secondes sans opération.

Verrouillage manuel

Lorsque l'écran est déverrouillé, appuyez sur « Lock » (F) et maintenez cette touche enfoncée pendant 3 secondes. Après un bip, l'icône « Lock » (f) est allumée, l'écran est verrouillé. Lorsque l'écran est verrouillé, appuyez sur « Lock » (F) et maintenez cette touche enfoncée pendant 3 secondes. Après un bip, l'icône « Lock » (f) est éteinte et l'écran est déverrouillé.



Remarque : Verrouillage de l'affichage

Lorsque l'affichage est verrouillé, des fonctions telles que le réglage de la température ou le réglage des fonctions sont désactivées. Lorsque l'opération ci-dessus est tentée, l'icône « Lock » (f) clignote 3 fois pour rappeler que l'écran est verrouillé.

4.6 Réglage de la température

La plage de température de ce congélateur peut être réglée entre -14°C et -24°C.

Lorsque l'affichage est déverrouillé, dans la fonction Daily, appuyez sur « Réglage de diminution de la température » (A), après un bip, l'icône « Affichage de la température » (a) commence à clignoter et passe en mode de réglage de la température. Et puis, chaque fois que vous appuyez sur le « Réglage de diminution de la température » (A), l'avertisseur émet un bip, la température est abaissée de 1°C, et la valeur la plus basse est de -24°C. Une fois la température réglée, la valeur de consigne de la température est déterminée et cesse de clignoter après 5 secondes sans opération. Une fois l'écran déverrouillé, dans la fonction Daily, appuyez sur « Réglage de l'augmentation de la température » (G), après un bip, l'icône « Affichage de la température » (a) commence à clignoter et à entrer en mode de réglage de la température, puis chaque fois que vous appuyez sur « Réglage d'augmentation de la température » (G), l'avertisseur émet un bip, la température augmente de 1°C, jusqu'à -14°C. Une fois la température réglée, la valeur de consigne de la température est déterminée et l'icône (a) cesse de clignoter après 5 secondes sans fonctionnement.

4.7 Fonction Daily (C)

L'appareil est en fonction Daily dès qu'il est branché pour la première fois à l'alimentation électrique, et l'icône « Daily » (c) s'allume. Ce n'est que sous cette fonction que la température peut être réglée.

4.8 Fonction Super Freeze (B)

Le mode « Super Freeze » est optimal pour préserver la nutrition des aliments, il peut congeler les aliments en moins de temps. Avant de mettre beaucoup d'aliments dans le congélateur, activez la fonction « Super Freeze » pour avoir une température plus basse, afin d'assurer un meilleur résultat de congélation.

Lorsque l'écran est déverrouillé, en touchant « Super Freeze » (B), l'icône de Super Freeze (b) s'allume, le congélateur fonctionne en mode Super Freeze. Pour quitter la fonction Super Freeze manuellement, répétez les étapes ci-dessus. Sinon, la fonction sera automatiquement désactivée après 50 heures.

Si vous avez une grande quantité d'aliments à congeler en une seule fois, il est recommandé d'activer la fonction 24 heures avant d'insérer les aliments. La fonction s'arrête automatiquement après 50 heures ou manuellement. La consommation d'énergie augmente lorsque cette fonction est activée.

En mode « Super Freeze », la température de fonctionnement du congélateur varie en fonction de la quantité d'aliments et des conditions ambiantes. La température à l'intérieur du compartiment congélateur pourrait potentiellement être abaissée à -37°C.



Remarque : Super Freeze

1. En mode « Super Freeze », la température ne peut pas être ajustée. Dans ce cas, l'icône de Super Freeze clignotera 3 fois pour rappeler que le congélateur est en mode Super Freeze.
2. En mode Super Freeze, si la fonction Auto Set ou Holiday est activée, « Super Freeze » (b) est désactivé, la fonction Super Freeze se termine automatiquement et la fonction Auto Set ou Holiday est activée.

4.9 Fonction Holiday (D)

Lorsque l'écran est déverrouillé, en touchant « Holiday » (D), l'icône Holiday (d) s'allume, le congélateur fonctionne avec la fonction Holiday. En mode Holiday en touchant « Holiday » (D), l'icône « Holiday » (d) est éteinte et le congélateur quitte la fonction Holiday. En mode Holiday, si la température avant d'entrer dans la fonction Holiday est supérieure à -18°C , alors après avoir entré dans la fonction Holiday, la température est automatiquement réglée à -18°C ; si la température avant d'entrer dans la fonction Holiday est inférieure à -18°C , alors après avoir entré dans la fonction Holiday, la température est inchangée.

Remarque : Fonction Holiday

1. En mode Holiday, la température ne peut pas être ajustée. Dans ce cas, l'icône Holiday clignotera 3 fois pour rappeler que le congélateur est en mode Holiday.
2. En mode Holiday, si la fonction Auto Set, Daily ou Super Freeze est activée, l'icône Holiday (d) est éteinte, la fonction Holiday se termine automatiquement et entre dans la fonction Auto Set, Daily ou Super Freeze.

4.10 Fonction Auto Set (E)

Lorsque l'écran est déverrouillé, en touchant « Auto Set » (E), l'icône « Auto Set » (e) est allumée, le congélateur fonctionne en fonction Auto Set. En mode Auto Set, en touchant « Auto Set » (E), l'icône (e) est éteinte et le congélateur quitte la fonction Auto Set.

Sous la fonction Auto Set, le congélateur fonctionne à -18°C .

Remarque : Fonction Auto Set

1. En mode Auto Set, la température ne peut pas être ajustée. Dans ce cas, l'icône Auto Set clignotera 3 fois pour rappeler que le congélateur est en mode Auto Set.
2. En mode Auto Set, si la fonction Holiday, Daily ou Super Freeze est activée, l'icône « Auto Set » (e) est éteinte, la fonction Auto Set se termine automatiquement et entre dans la fonction Holiday, Daily ou Super Freeze.

4.11 Fonction de contrôle de l'affichage

Lorsque la porte est fermée, l'écran d'affichage s'éteint automatiquement 30 secondes après avoir été laissé sans surveillance. L'écran d'affichage est automatiquement verrouillé. Il se rallume automatiquement dès que vous appuyez sur une touche ou que vous ouvrez la porte.

4.12 Mémoire hors tension

Ce congélateur a une mémoire de mise hors tension, les réglages avant la mise hors tension seront mémorisés. Lorsque l'alimentation est bloquée, le congélateur revient au réglage d'avant la coupure de l'alimentation et continue à fonctionner. Le verrouillage n'est pas mémorisé, après la remise sous tension, l'affichage est déverrouillé.

4.13 Alarme d'ouverture de porte

Lorsque le congélateur est maintenu ouvert pendant plus d'une minute, l'avertisseur émet trois bips à intervalle de 0,5 seconde. Les bips seront répétés toutes les 30 secondes si la porte est maintenue ouverte. Les bips s'arrêtent jusqu'à ce que la porte soit fermée ou après 7 minutes de l'ouverture de la porte. L'avertisseur s'arrête et le témoin du congélateur s'éteint.

4.14 Alarme de température élevée

Ce congélateur est équipé d'une alarme de température élevée. En mode congélateur ou Super Freeze, si l'icône d'affichage de la température indique « HH » avec des bips, en appuyant sur une touche quelconque, le bip s'arrête, mais l'icône d'affichage de la température continue de clignoter, ce qui signifie que la température dans le congélateur est trop élevée. Veuillez vérifier si la porte est bien fermée ou si une grande quantité d'aliments chauds est placée dans le congélateur. Après un certain temps, l'icône d'affichage de la température cesse de clignoter. S'il ne cesse pas de clignoter « HH » pendant longtemps, et que les bips qui sont annulés manuellement sonnent à nouveau, veuillez contacter le service après-vente.

4.15 Indication d'erreur

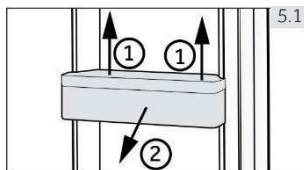
Lorsque l'icône de l'écran affiche E1, E2 et d'autres codes et clignote, cela indique que le congélateur est défectueux. Dans cette situation, le congélateur peut toujours congeler des aliments, mais l'utilisateur doit contacter le service après-vente dès que possible pour un contrôle optimal du congélateur.



4.16 Conseils d'économie d'énergie

- ▶ Assurez-vous que l'appareil est correctement aéré (voir INSTALLATION).
- ▶ N'installez pas l'appareil à la lumière directe du soleil ou à proximité de sources de chaleur (par exemple, des cuisinières, des radiateurs).
- ▶ Évitez les températures inutilement basses dans l'appareil. Plus la température de l'appareil est basse, plus la consommation d'énergie augmente.
- ▶ Laissez les aliments chauds refroidir avant de les placer dans l'appareil.
- ▶ Ouvrez la porte de l'appareil le moins possible et le plus brièvement possible.
- ▶ Assurez-vous que la porte se ferme toujours correctement et sans être gênée par la position des aliments. Gardez le joint d'étanchéité de la porte propre.
- ▶ Décongelez les aliments congelés dans un réfrigérateur.
- ▶ Nettoyez régulièrement l'arrière de l'appareil. La poussière augmente la consommation d'énergie.
- ▶ La configuration la plus économe en énergie exige que le tiroir, la boîte à aliments et les clayettes soient placés dans l'appareil comme livrés par l'usine, et que les aliments soient placés sans bloquer la sortie d'air du conduit.

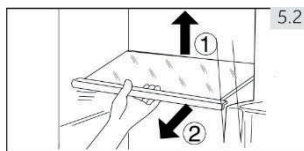
5 - Équipement



5.1 Balconnets de porte amovibles

Les balconnets de la porte peuvent être retirés pour être nettoyés : Placez les mains de chaque côté du balconnet, soulevez-le vers le haut (1) en le retirant (2) (Fig. 5.1).

Pour insérer les balconnets, les étapes ci-dessus sont effectuées dans l'ordre inverse.



5.2 Clayettes en verre

1. Pour déplacer une clayette, il faut d'abord la retirer en soulevant son bord arrière (1) et en la tirant (2) vers soi (Fig. 5.2).
2. Pour la réinstaller, placez-la sur les taquets des deux côtés et poussez-la vers l'arrière jusqu'à ce que l'arrière de la clayette soit fixé dans les fentes latérales.

6.1 Remarques générales

Nettoyez l'appareil lorsque vous n'y conservez que peu ou pas d'aliments et débranchez l'appareil.

- ▶ Gardez toujours le joint d'étanchéité de la porte propre.
- ▶ Nettoyez l'intérieur et le compartiment de l'appareil avec une éponge humidifiée à l'eau tiède et au détergent neutre.
 1. Frottez l'intérieur et l'extérieur du congélateur, y compris le joint de porte, les balconnets de la porte, les clayettes en verre, les boîtes à aliments, etc., avec une serviette ou une éponge souple trempée dans de l'eau chaude (vous pouvez ajouter un détergent neutre dans l'eau chaude).
 2. Si du liquide est renversé, enlevez toutes les pièces contaminées, rincez-les directement à l'eau courante, séchez-les et remettez-les au congélateur.
 3. En cas de déversement de crème (crème, glace fondante, etc.), retirez toutes les pièces contaminées, mettez-les dans de l'eau chaude à environ 40°C pendant un certain temps, puis rincez-les à l'eau courante, séchez-les et remettez-les au réfrigérateur.
 4. Si une petite pièce ou un composant reste coincé à l'intérieur du congélateur (entre les clayettes ou les tiroirs), utilisez une petite brosse douce pour le dégager. Si vous n'avez pas pu atteindre la pièce, veuillez contacter le service Haier.



6.2 Non-utilisation pendant une période plus longue

Si l'appareil ne va pas être utilisé pendant longtemps :

- ▶ Sortez les aliments.
- ▶ Débranchez le câble d'alimentation.
- ▶ Nettoyez l'appareil comme décrit ci-dessus.
- ▶ Laissez les portes et les bacs de stockage du congélateur ouverts pour éviter la formation de mauvaises odeurs à l'intérieur.

Retirez la porte de l'appareil (ouvrez la porte et tenez-la avant d'enlever les vis) pour éviter que les enfants n'entrent dans l'appareil et ne s'y enferment.



Remarque : Éteindre l'appareil

Pour garantir la durée de vie de l'appareil, ne l'éteignez que si cela est strictement nécessaire.

6.3 Déplacement de l'appareil

1. Retirez tous les aliments et débranchez l'appareil.
2. Fixez les étagères et les autres pièces amovibles du congélateur avec du ruban adhésif.
3. Fermez la porte et fixez-la avec du ruban adhésif.
4. N'inclinez pas le congélateur de plus de 45° pour éviter d'endommager le système de réfrigération.
5. Enveloppez les pieds du congélateur pour éviter de rayer le sol. Ne jamais déplacer le congélateur avec force.

Vous devriez être en mesure de résoudre de nombreux problèmes vous-mêmes, sans expertise spécifique. En cas de problème, vérifiez toutes les possibilités indiquées et suivez les instructions ci-dessous avant de contacter un service après-vente.

L'alarme acoustique peut être désactivée en appuyant sur n'importe quelle touche.

7.1 Dépannage

| Problème | Cause possible | Solution possible |
|---|--|--|
| Le compresseur ne fonctionne pas. | <ul style="list-style-type: none"> La fiche secteur n'est pas branchée dans la prise de courant. | <ul style="list-style-type: none"> Branchez la prise de courant. |
| L'appareil se met en marche fréquemment ou pendant une période trop longue. | <ul style="list-style-type: none"> La température intérieure ou extérieure est trop élevée. L'appareil a été hors tension depuis un certain temps. La porte de l'appareil n'est pas bien fermée. La porte a été ouverte trop souvent ou trop longtemps. La température est réglée trop bas. Le joint de porte est sale, usé, fissuré ou mal adapté. La circulation d'air requise n'est pas garantie. L'intérieur est couvert de glace. | <ul style="list-style-type: none"> Dans ce cas, il est normal que l'appareil fonctionne plus longtemps. Normalement, il faut 8 à 12 heures pour que l'appareil refroidisse complètement. Fermez la porte et assurez-vous que l'appareil est installé sur un sol plat et qu'aucun aliment ou récipient ne heurte la porte. N'ouvrez pas la porte trop souvent. Réglez la température à un niveau plus élevé jusqu'à obtenir une température satisfaisante. Il faut 24 heures pour que la température se stabilise. Nettoyez le joint de porte ou faites-le remplacer par le service clientèle. Assurez une ventilation adéquate. Dégivrez l'appareil. |
| L'appareil émet des sons anormaux. | <ul style="list-style-type: none"> L'appareil n'est pas installé sur une surface plane. L'appareil est en contact avec un objet à proximité. L'appareil est placé sur un plancher en bois ou près de murs en bois. | <ul style="list-style-type: none"> Mettre à niveau l'appareil. Retirez les objets autour de l'appareil. Le bois amplifie le son. Installez l'appareil ailleurs |
| L'appareil émet un cliquetis | <ul style="list-style-type: none"> C'est une situation normale. Elle est causée par la mise en marche ou l'arrêt du groupe frigorifique. | <ul style="list-style-type: none"> |
| Un léger bruit semble à celui de l'eau qui coule est perceptible. | <ul style="list-style-type: none"> C'est une situation normale. | <ul style="list-style-type: none"> |

| Problème | Cause possible | Solution possible |
|---|---|--|
| L'appareil émet le son d'un moteur | <ul style="list-style-type: none"> • L'unité de réfrigération vient de se mettre en marche. C'est une situation normale | <ul style="list-style-type: none"> • |
| La température à l'intérieur de l'appareil n'est pas assez froide. | <ul style="list-style-type: none"> • La température est réglée trop haut. • Trop d'aliments ont été stockées en une seule fois. • Des aliments trop chauds ont été stockés. • Les denrées sont trop proches les unes des autres. • La porte n'est pas bien fermée. • La porte a été ouverte trop souvent ou trop longtemps. | <ul style="list-style-type: none"> • Réinitialisez la température. • Il faut toujours refroidir les denrées alimentaires avant de les stocker. • Stockez toujours de petites quantités de nourriture. • Laissez un espace entre deux aliments pour permettre à l'air de circuler. • Fermez la porte. • N'ouvrez pas la porte trop souvent. |
| La température à l'intérieur de l'appareil est trop froide. | <ul style="list-style-type: none"> • La température est réglée trop bas. • La fonction Super Freeze est activée ou fonctionne trop longtemps. | <ul style="list-style-type: none"> • Réinitialisez la température. • Fonction de Super Freeze. |
| L'humidité s'accumule sur la surface de l'appareil. | <ul style="list-style-type: none"> • La pièce dans laquelle est installé l'appareil est trop chaude et trop humide. | <ul style="list-style-type: none"> • C'est normal dans un climat humide et cela changera quand l'humidité diminuera. Essuyer avec un chiffon. |
| Forte présence de glace et de givre dans le compartiment congélateur. | <ul style="list-style-type: none"> • Les aliments n'étaient pas correctement emballés. • La porte n'est pas bien fermée. • La porte a été ouverte trop souvent ou trop longtemps. • Le joint de porte est sale, usé, fissuré ou mal adapté. • Quelque chose à l'intérieur empêche la porte de se fermer correctement. | <ul style="list-style-type: none"> • Il faut toujours bien emballer les aliments. • Fermez la porte. • N'ouvrez pas la porte trop souvent. • Nettoyez le joint de porte ou faites-le remplacer par le service clientèle. • Repositionnez les clayettes, les balconnets ou les conteneurs internes pour permettre à la porte de se fermer. |
| Le système de refroidissement ne fonctionne pas. | <ul style="list-style-type: none"> • La fiche secteur n'est pas branchée dans la prise de courant. • L'alimentation électrique n'est pas intacte. | <ul style="list-style-type: none"> • Branchez la prise de courant. • Vérifiez l'alimentation électrique de la pièce. Appelez la compagnie d'électricité locale ! |
| Les côtés de l'armoire et la bande de la porte s'échauffent. | <ul style="list-style-type: none"> • C'est une situation normale. | <ul style="list-style-type: none"> • |
| Vous entendez un bip d'alarme | <ul style="list-style-type: none"> • La porte est ouverte • La température à l'intérieur est trop chaude | <ul style="list-style-type: none"> • Fermez la porte ou éteindre l'alarme manuellement. |

| Problème | Cause possible | Solution possible |
|---|---|--|
| Difficulté d'ouverture de la porte. | <ul style="list-style-type: none">• Une fois que l'appareil fonctionne, il a un vide à l'intérieur. | <ul style="list-style-type: none">• Ouvrez doucement le joint de la porte pour laisser entrer l'air dans l'appareil. |
| Difficulté à refermer la porte. Cela laisse toujours un espace libre. | <ul style="list-style-type: none">• En raison de la basse température des appareils, le joint de la porte peut facilement devenir dur et se déformer. | <ul style="list-style-type: none">• Utilisez un sèche-cheveux ou mettez une serviette chaude à l'endroit où le joint est déformé.• Lorsque le joint est à nouveau souple, fermez la porte et compressez bien. |

7.2 Interruption de l'alimentation électrique

En cas de coupure de courant, les aliments devraient rester froids pendant environ 15 heures. Suivez les conseils ci-dessous lors d'une coupure de courant prolongée, surtout en été :

- ▶ Ouvrez la porte le moins souvent possible.
- ▶ Ne mettez pas des aliments supplémentaires dans le congélateur pendant une coupure de courant.
- ▶ Si une coupure de courant est annoncée à l'avance et que la durée de la coupure est supérieure à 15 heures, faites de la glace et mettez-la dans un récipient dans le haut du compartiment du congélateur.
- ▶ Du fait que la température du congélateur augmente en cas de coupure de courant ou de toute autre panne, la durée de conservation et la qualité comestible des aliments s'en trouvent réduites. Tout aliment décongelé doit être soit consommé, soit cuit et recongelé (le cas échéant) peu de temps après afin de prévenir les risques pour la santé.



Remarque : Fonction de mémoire en cas de coupure de courant

Après le rétablissement du courant, l'appareil continue à fonctionner avec les réglages effectués avant la panne de courant.

7.3 Paramètres et remplacement des LED

Paramètres de la lampe LED: 12V, 6W

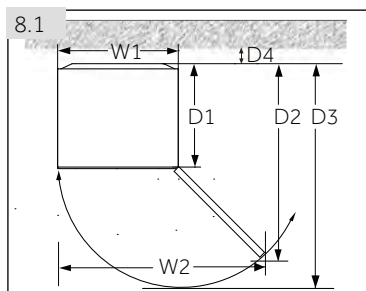
La lampe à LED est utilisée avec une faible consommation d'énergie et une longue durée de vie. Ne pas démonter par vous-même en cas d'anomalie. Veuillez contacter le service après-vente.

8.1 Déballage

- ▶ Sortez l'appareil de son emballage.
- ▶ Retirez tous les matériaux d'emballage.

8.2 Conditions environnementales

La température ambiante doit toujours être comprise entre 18°C et 43°C, car elle peut influencer la température à l'intérieur de l'appareil et sa consommation d'énergie. N'installez pas l'appareil à proximité d'autres appareils émettant de la chaleur (fours, réfrigérateurs) sans isolation.

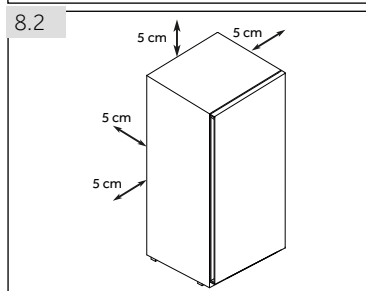


8.3 Exigences en matière d'espace

Espace nécessaire pour ouvrir la porte (Fig. 8.1) :

| Largeur en mm | | Profondeur en mm | | | Distance au mur en mm |
|---------------|------|------------------|------|------|-----------------------|
| W1 | W2 | D1 | D2 | D3 | D4 |
| 705 | 1076 | 603 | 1243 | 1327 | 50 |

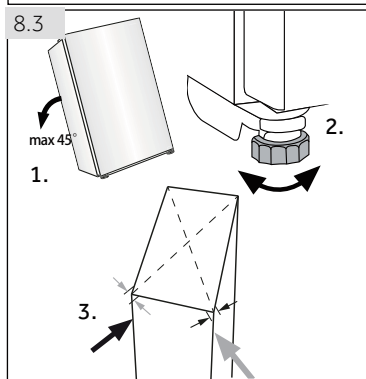
Pour les équipements autonomes: cet équipement de réfrigération n'est pas destiné à être utilisé comme équipement intégré



8.4 Ventilation transversale

Pour obtenir une ventilation appropriée de l'appareil pour des raisons de sécurité, respectez les indications de ventilation transversale requises (fig. 8.2).

POUR un appareil autonome : ce réfrigérateur n'est pas destiné à être utilisé comme appareil intégré.



8.5 Alignement de l'appareil

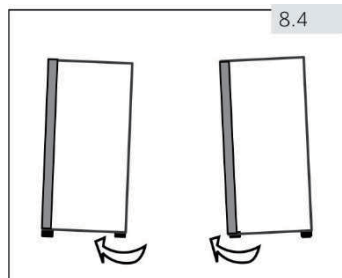
L'appareil doit être placé sur une surface plane et solide. Si l'appareil est placé sur une base, il faut utiliser des matériaux solides et résistants au feu. N'utilisez jamais le matériau d'emballage en mousse comme base.

1. Inclinez légèrement l'appareil vers l'arrière (Fig. 8.3).
2. Réglez les pieds au niveau souhaité.
3. La stabilité peut être vérifiée en frappant alternativement sur les diagonales. Le léger balancement doit être le même dans les deux sens. Sinon, le cadre peut se déformer, ce qui peut entraîner des fuites au niveau des joints de porte. Une faible tendance vers l'arrière facilite la fermeture de la porte.

8.6 Utilisation de pieds réglables

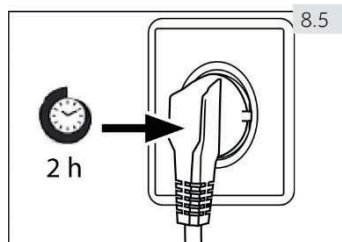
Si le congélateur est instable, les pieds peuvent être ajustés : Faites pivoter les pieds réglables selon le sens de la flèche (Fig. 8.4) pour les faire monter ou descendre :

- ▶ Tournez les pieds dans le sens des aiguilles d'une montre pour soulever le congélateur.
- ▶ Tournez les pieds dans le sens inverse des aiguilles d'une montre pour abaisser le congélateur.



8.7 Temps d'attente

L'huile de lubrification sans entretien se trouve dans la capsule du compresseur. Cette huile peut traverser le système de tuyaux fermé pendant le transport en pente. Avant de connecter l'appareil à l'alimentation électrique, vous devez attendre au moins 2 heures (Fig. 8.5) pour que l'huile retourne dans la capsule.



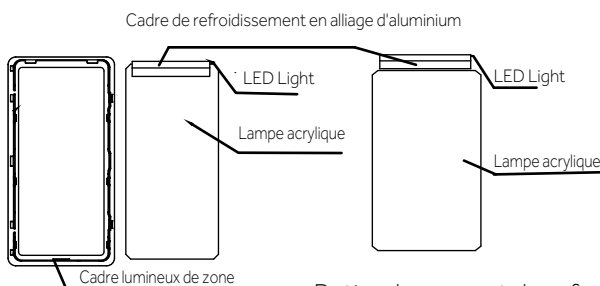
8.8 Branchement électrique

Avant chaque branchement, vérifiez si :

- ▶ L'alimentation électrique, la prise de courant et le fusible sont adaptés conformément aux indications de la plaque signalétique.
- ▶ La prise de courant est mise à la terre et il n'y a pas de multiprise ni de rallonge.
- ▶ La fiche et la prise de courant sont strictement correspondantes.

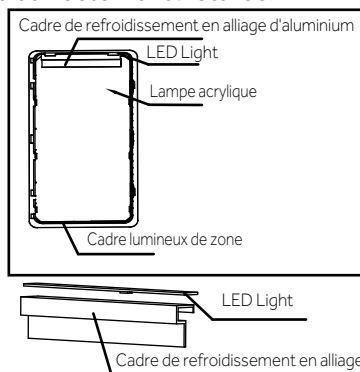
Branchez la fiche sur une prise de courant domestique correctement installée.

8.9 Schéma de l'éclairage de zone



Appuyez sur le clip pour séparer le cadre de la lumière de zone de la lumière de zone

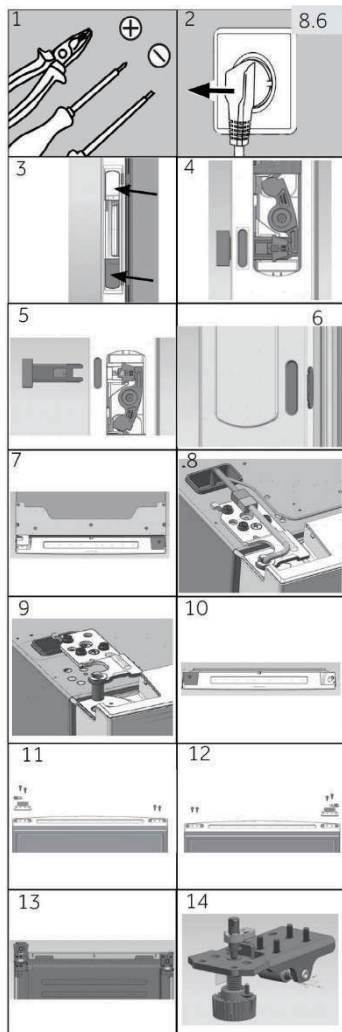
Retirer le support de refroidissement en alliage d'aluminium en enlevant le ruban adhésif en feuille d'aluminium des deux côtés du support de refroidissement en alliage d'aluminium



Démontage de la lampe LED et du cadre de refroidissement en alliage d'aluminium (raccord adhésif double face)

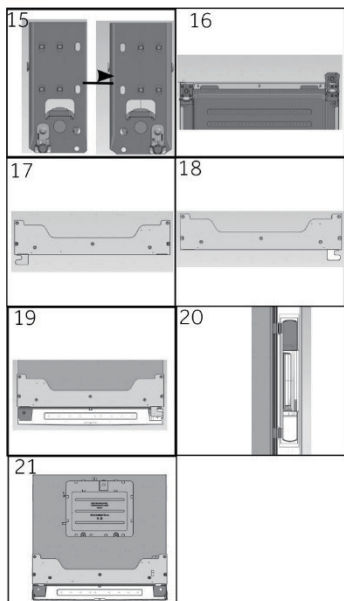
8.10 Réversibilité de la porte

Avant de brancher l'appareil à l'alimentation électrique, vérifier si le battement de la porte doit passer de la gauche (tel qu'il est livré) à la droite, si le lieu d'installation et la facilité d'utilisation l'exigent.



Étapes de montage (Fig. 8.6) :

1. Fournir l'outil nécessaire.
2. Débranchez l'appareil.
3. Ouvrez les couvercles des poignées supérieure et inférieure sur le côté droit de la porte.
4. Faites glisser légèrement le curseur blanc.
5. Sortez les deux tiges de poussée et remettez le couvercle de la poignée.
6. Enlevez les deux bouchons en caoutchouc sur le côté gauche de la porte et placez-la avec les tiges de poussée retirées pour l'étape 20.
7. Enlevez les 7 vis et le couvercle de la charnière. Faites attention à ne pas déchirer le câble de la porte.
8. Débranchez le câble de connexion.
9. Enlevez les 3 vis de la charnière et la charnière supérieure gauche, et retirez la porte avec précaution.
10. Placez un carton ou un tissu sous la porte et placez la porte à l'horizontale. Retirez le couvercle d'extrémité de la porte droite, prenez le couvercle de la porte gauche dans le sac d'accessoires. Installez-le en haut à gauche de la porte.
11. Enlevez 2 vis en bas à droite de la porte. Enlevez 2 vis. Arrêt de porte et couvre-goupille en bas à gauche de la porte.
12. Prenez l'arrêt de porte de la dernière étape et le couvre-goupille droit du sac d'accessoires, fixez-les avec deux vis. Appliquez 2 vis en bas à droite de la porte.
13. Posez l'arrière de l'armoire après avoir placé des chiffons plus épais au-dessous. Retirez 4 vis et la charnière inférieure.
14. Dévissez le couvre-goupille.



15. Prenez le couvre-goupille de droite dans le sac d'accessoires. Fixez-le avec une vis.
16. Échangez la position de la plaque de roulette et de la charnière inférieure après le remplacement.
17. Démontez le petit couvercle de la charnière gauche et le couvercle de la charnière de la protection de la charnière.
18. Changez le couvercle de la charnière de l'autre côté et prenez le petit couvercle de la charnière droite du sac d'accessoires. Installez-le sur la protection de la charnière.
19. Montez la porte, installez la charnière gauche, branchez le câble de connexion et fixez la protection de la charnière avec des vis.
20. 20. Installez la tige de poussée retirée sur le côté gauche de la porte, puis insérez les bouchons en caoutchouc dans le trou de la tige de poussée de la poignée sur le côté droit de la porte.
21. Terminé.

Durée minimum de garantie : 2 ans pour les pays de l'Union européenne, 3 ans pour la Turquie, 1 an pour le Royaume-Uni, 1 an pour la Russie, 3 ans pour la Suède, 2 ans pour la Serbie, 5 ans pour la Norvège, 1 an pour le Maroc, 6 mois pour l'Algérie, pour la Tunisie aucune garantie légale requise.

Les thermostats, les capteurs de température, les cartes de circuits imprimés et les sources lumineuses sont disponibles pour une période minimale de sept ans après la mise sur le marché de la dernière unité du modèle. Les poignées de porte, les charnières de porte, les plateaux et les paniers sont disponibles pour une période minimale de sept ans et les joints de porte pour une période minimale de 10 ans, après la mise sur le marché de la dernière unité du modèle.

Pour plus d'informations sur le produit, veuillez consulter

<https://eprel.ec.europa.eu/> ou scannez le QR sur l'étiquette énergétique fournie avec l'appareil.

Pour contacter l'assistance technique, visitez notre site web :

<https://corporate.haier-europe.com/en/>

Sous la rubrique « websites », choisissez la marque de votre produit et votre pays.

Vous serez redirigé vers le site internet spécifique où vous trouverez le numéro de téléphone et le formulaire pour contacter l'assistance technique.

| | | |
|---|----------------------|----------|
| Marque commerciale | Haier | |
| Référence du modèle | H2F385*F | H2F385*D |
| Catégorie du modèle | Congélateur vertical | |
| Classe d'efficacité énergétique | F | D |
| Consommation annuelle d'énergie (kWh/an) ¹⁾ | 356 | 228 |
| Volume du réfrigérateur (l) | non applicable | |
| Volume du congélateur (l) **** | 386 | |
| Classement | **** | |
| Température des autres compartiments > 14°C | non applicable | |
| Système sans givre | oui | |
| Sécurité en cas de coupure de courant (h) | 11.5 | 11.5 |
| Capacité de congélation (kg/24h) | 19.5 | 19.5 |
| Classe climatique Cet appareil est destiné à être utilisé à une température ambiante comprise entre 10°C et 43°C. | SN-T | |
| Émissions sonores dans l'air en (dB (A)) | 39 | |
| Type de construction | autoportant | |

1) basé sur des résultats d'essais standards pendant 24 heures. La consommation réelle d'énergie dépendra de l'utilisation de l'appareil et de sa position.

En ce qui concerne les détails des spécifications, veuillez consulter la plaque signalétique et l'étiquetage énergétique à l'intérieur du produit.

Cet appareil est destiné à être utilisé à une température ambiante comme indiqué cidessous :

| | |
|----|-----------------|
| SN | +10 °C ~ +32 °C |
| N | +16 °C ~ +32 °C |
| ST | +16 °C ~ +38 °C |
| T | +16 °C ~ +43 °C |

11.2 Autres données techniques

| | |
|--------------------------|------------------|
| Tension/Fréquence | 220-240V ~/ 50Hz |
| Courant nominal (A) | 1.5 |
| Refroidissant | R600a |
| Dimensions (H/L/P en cm) | 172,5/70,5/69,1 |

H2F385*F/*D_FR

Haier

Manuale d'uso



Freezer Verticale

H2F385*F

H2F385*D

* - Colour code

IT

Haier

Vi ringraziamo per aver scelto un prodotto Haier.

Leggete attentamente le istruzioni prima di utilizzare questo elettrodomestico. Le istruzioni contengono informazioni importanti che vi aiuteranno ad ottenere il meglio dall'elettrodomestico e a garantire un'installazione, un uso e una manutenzione sicuri e corretti.

Conservate il presente manuale in un luogo comodo, in modo da poterlo sempre consultare per un uso sicuro e corretto dell'elettrodomestico.

Se vendete l'elettrodomestico, lo date via, o lo lasciate quando traslocate, assicuratevi di passare anche questo manuale in modo che il nuovo proprietario possa familiarizzare con l'elettrodomestico e con le avvertenze di sicurezza.

AVVERTENZA: Rischio di incendio/materiale infiammabile. Il simbolo indica che esiste un rischio di incendio poiché vengono utilizzati materiali infiammabili. Prestare attenzione a non provocare un incendio dando fuoco a materiale infiammabile.

Legenda



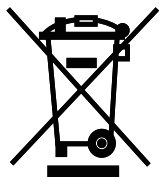
Informazioni e suggerimenti generali



Avvertenza - Informazioni importanti per la sicurezza



Informazioni ambientali



Smaltimento

Contribuire alla protezione dell'ambiente e alla salute umana. Collocare l'imballaggio in contenitori adeguati per poterlo riciclare. Contribuire al riciclaggio dei rifiuti provenienti da dispositivi elettrici ed elettronici. Non smaltire i dispositivi recanti questo simbolo con i normali rifiuti domestici. Riportare il prodotto presso la struttura di riciclaggio locale o contattare il proprio ufficio municipale competente in merito.



Avvertenza!

Rischio di lesione o soffocamento!

I refrigeranti e i gas vanno smaltiti in modo professionale. Verificare che i tubi del circuito refrigerante non si siano danneggiati prima di smaltirli in modo adeguato. Scollegare il dispositivo dalla presa di corrente. Tagliare il cavo di rete e smaltirlo. Rimuovere lo sportello, il fermo dello stesso e le guarnizioni, per evitare che bambini e animali si chiudano nell'apparecchio.

| | |
|------------------------------------|----|
| 1 - Sicurezza | 4 |
| 2 - Destinazione d'uso..... | 11 |
| 3 - Descrizione del prodotto | 12 |
| 4 - Utilizzo | 13 |
| 5 - Apparecchiature | 17 |
| 6- Cura e pulizia | 18 |
| 7- Qualcosa non funziona? | 20 |
| 8 - Installazione..... | 23 |
| 9- Dati tecnici..... | 27 |

Prima di accendere l'elettrodomestico per la prima volta leggere le seguenti avvertenze di sicurezza!



AVVERTENZA!

Attività preliminari al primo utilizzo

- ▶ Controllare che non sussistano danni dovuti al trasporto.
- ▶ Rimuovere tutti gli imballaggi e tenerli lontano dalla portata dei bambini.
- ▶ Attendere almeno due ore prima di installare l'elettrodomestico per garantire la piena efficienza del circuito frigorifero.
- ▶ Fare maneggiare l'elettrodomestico sempre con almeno due persone perché è pesante.

Installazione

- ▶ L'elettrodomestico deve essere collocato in un luogo ben ventilato. Garantire uno spazio di almeno 5 cm sopra e intorno all'elettrodomestico.
- ▶ **AVVERTENZA:** Mantenere le aperture di ventilazione nell'elettrodomestico o nella struttura nella quale è incassato libere da qualsiasi ostruzione.
- ▶ Non collocare mai l'elettrodomestico in un'area umida o in un luogo dove potrebbe essere spruzzato con acqua. Pulire e asciugare gli schizzi di acqua e le macchie con un panno morbido e pulito.
- ▶ Non installare l'elettrodomestico alla luce diretta del sole o in prossimità di fonti di calore (ad esempio stufe, termosifoni).
Installare e livellare l'elettrodomestico in un'area adatta alle sue dimensioni e al suo utilizzo.
- ▶ Assicurarsi che le informazioni elettriche sulla targhetta corrispondano all'alimentazione elettrica. In caso contrario, contattare un elettricista.
- ▶ L'elettrodomestico è azionato da un'alimentazione di 220-240 VCA/50 Hz.
- ▶ Fluttuazioni di tensione anomale possono causare il mancato avvio dell'elettrodomestico, o danneggiare il controllo della temperatura o il compressore, o ci può essere un rumore anomalo durante il funzionamento. In tal caso, deve essere montato un regolatore automatico.
- ▶ Non utilizzare adattatori multipli e cavi di prolunga.
- ▶ **AVVERTENZA:** Non posizionare prese portatili multiple o alimentazioni di potenza portatili nella parte posteriore dell'elettrodomestico.
- ▶ **AVVERTENZA:** Durante il posizionamento dell'elettrodomestico, accertarsi che il cavo di alimentazione non resti impigliato o sia danneggiato.
- ▶ Non calpestare il cavo di alimentazione.
- ▶ Assicurarsi che il cavo di alimentazione non sia intrappolato dal freezer.
- ▶ Non coprire le aperture di ventilazione.
- ▶ Utilizzare una presa separata con messa a terra per l'alimentazione elettrica, che deve essere facilmente accessibile. L'elettrodomestico deve essere messo a terra.



AVVERTENZA!

- ▶ **AVVERTENZA:** Non danneggiare il circuito del refrigerante.

Uso quotidiano

- ▶ L'elettrodomestico può essere utilizzato da bambini di età superiore a 8 anni e da persone con ridotte capacità fisiche, sensoriali o mentali, oppure prive di esperienza e conoscenza, se supervisionate o istruite riguardo all'uso dell'elettrodomestico in sicurezza, e se comprendono i rischi che derivano dall'uso dello stesso.
- ▶ I bambini non devono giocare con l'elettrodomestico.
- ▶ I bambini di età compresa tra i 3 e gli 8 anni sono autorizzati a riempire e svuotare gli elettrodomestici di refrigerazione, ma non sono autorizzati a pulire e montare tali elettrodomestici.
- ▶ Tenere lontani dall'elettrodomestico i bambini di età inferiore ai 3 anni se non continuamente sorvegliati.
- ▶ La pulizia e la manutenzione da parte dell'utente non possono essere effettuate da bambini senza supervisione.
- ▶ L'elettrodomestico deve essere posizionato in modo che la spina sia accessibile. In caso di perdite di gas refrigerante o di altri gas infiammabili nelle vicinanze dell'elettrodomestico, spegnere la valvola del gas che perde, aprire le porte e le finestre e non staccare la spina del cavo di alimentazione del freezer o di qualsiasi altro elettrodomestico.
- ▶ Si noti che l'elettrodomestico è impostato per il funzionamento in un determinato intervallo di temperatura ambiente compreso tra 10°C e 43°C. L'elettrodomestico potrebbe non funzionare correttamente se lasciato per un lungo periodo ad una temperatura superiore o inferiore all'intervallo indicato.
- ▶ Non collocare articoli instabili (oggetti pesanti, contenitori pieni d'acqua) sopra il freezer, per evitare lesioni personali causate da cadute o scosse elettriche causate dal contatto con l'acqua.
- ▶ Non conservare o utilizzare materiali infiammabili, esplosivi o corrosivi nell'elettrodomestico o nelle vicinanze.
- ▶ Non sollevare l'elettrodomestico per le maniglie.
- ▶ Non posizionare mai l'elettrodomestico orizzontalmente a terra quando lo si sposta.
- ▶ Prima di qualsiasi operazione, disattivare l'alimentazione elettrica dell'elettrodomestico.
- ▶ Non inclinare l'elettrodomestico più di 45° per evitare di danneggiare il sistema di refrigerazione durante lo spostamento.
- ▶ Scollegare l'elettrodomestico in caso di interruzione di corrente o prima della pulizia. Attendere almeno 7 minuti prima di riavviare l'elettrodomestico, poiché un avviamento frequente può danneggiare il compressore.
- ▶ Controllare le condizioni degli alimenti se si è verificato un riscaldamento nel congelatore.
- ▶ In modalità refrigerazione senza vano a 4 stelle: questo apparecchio frigorifero non è adatto per congelare i prodotti alimentari; in modalità congelamento con vano a 4 stelle questo apparecchio di congelamento non è per la refrigerazione di alimenti.



AVVERTENZA!

- ▶ Non tirare i ripiani della porta. La porta può inclinarsi, i ripiani della porta possono fuoriuscire o l'elettrodomestico può cadere.
- ▶ Aprire e chiudere la porta solo usando le maniglie. La distanza tra la porta e l'armadio è molto stretta. Non mettere le mani in queste zone per evitare di schiacciarsi le dita. Aprire o chiudere le porte dell'elettrodomestico solo quando non ci sono bambini in piedi nel raggio di movimento della porta.
- ▶ Non conservare mai nel freezer birra o bevande in quanto potrebbero scoppiare durante il congelamento.
- ▶ Non conservare in questo elettrodomestico sostanze esplosive come le bombolette aerosol con un propellente infiammabile.
- ▶ Non riporre medicine, batteri o agenti chimici nell'elettrodomestico. Questo elettrodomestico è destinato alla refrigerazione in ambiente domestico. Si sconsiglia di conservare materiali che richiedono temperature precise.
- ▶ Non conservare mai nel freezer liquidi in bottiglia o lattina (a parte liquori ad alta gradazione alcolica), specialmente le bevande gassate, poiché potrebbero scoppiare durante il congelamento.
- ▶ Non impostare una temperatura inutilmente bassa nel vano congelatore. In caso di impostazioni elevate si possono raggiungere temperature inferiori. Attenzione: Le bottiglie possono scoppiare.
- ▶ Non toccare i prodotti congelati con le mani bagnate (indossare guanti). Soprattutto non mangiare i ghiaccioli subito dopo averli tolti dal vano congelatore. C'è il rischio di congelamento o la formazione di vesciche dovute al gelo. PRIMO soccorso: tenere immediatamente sotto acqua fredda corrente. Non tirare!
- ▶ Non toccare la superficie interna del vano di conservazione del congelatore durante il funzionamento, soprattutto con le mani bagnate, poiché le mani potrebbero congelare sulla superficie.
- ▶ **AVVERTENZA:** Non usare dispositivi elettrici all'interno degli scomparti per la conservazione degli alimenti dell'elettrodomestico, se questi non sono del tipo consigliato dal produttore.
- ▶ **AVVERTENZA:** Le lampadine possono essere sostituite solo dal produttore, insieme ad una parte dell'elettrodomestico.
- ▶ **AVVERTENZA:** Se non siete sicuri del tipo di refrigerante, controllare la targa dei dati dell'elettrodomestico. È pericoloso per tutti, ad eccezione del personale addetto, eseguire qualsiasi operazione di riparazione su questo elettrodomestico. Nel Queensland il personale di assistenza autorizzato DEVE essere in possesso di un'autorizzazione ad operare con il gas per i refrigeranti contenenti idrocarburi, per eseguire la manutenzione o le riparazioni che comportano la rimozione delle coperture.



AVVERTENZA!

Manutenzione/pulizia

- ▶ Assicuratevi che i bambini siano sorvegliati se effettuano la pulizia e la manutenzione.
- ▶ Scollegare l'elettrodomestico dalla rete elettrica prima di effettuare qualsiasi manutenzione ordinaria. Attendere almeno 7 minuti prima di riavviare l'elettrodomestico, poiché un avviamento frequente può danneggiare il compressore.
- ▶ Tenere la spina, non il cavo, quando si scollega l'elettrodomestico.
- ▶ Non pulire l'elettrodomestico con spazzole rigide, spazzole metalliche, polvere detergente, benzina, acetato di amile, acetone e soluzioni organiche simili, soluzioni acide o alcaline. Pulire con un detergente speciale per freezer per evitare danni.
- ▶ Non raschiare via la brina e il ghiaccio con oggetti appuntiti. Non utilizzare spray, riscaldatori elettrici come stufette, asciugacapelli, pulitrici a vapore o altre fonti di calore per evitare di danneggiare le parti in plastica.
- ▶ **AVVERTENZA:** Non usare dispositivi meccanici o altri strumenti artificiali per accelerare il processo di sbrinamento, diversi da quelli consigliati dal produttore.
- ▶ Se il cavo di alimentazione dell'elettrodomestico dovesse essere danneggiato, farlo sostituire dal produttore, dal suo servizio tecnico o da un tecnico qualificato, per evitare rischi.
- ▶ Non cercare di riparare, smontare o modificare l'elettrodomestico da soli. In caso di riparazione si prega di contattare il nostro servizio clienti.
- ▶ Eliminare la polvere sul retro dell'unità almeno una volta all'anno per evitare il pericolo di incendio, nonché l'aumento del consumo energetico.
- ▶ Non spruzzare o risciacquare l'elettrodomestico durante la pulizia.
- ▶ Non utilizzare getti d'acqua o di vapore per pulire l'elettrodomestico.
- ▶ Non pulire i ripiani di vetro freddi o la porta di vetro con acqua calda. Un improvviso cambiamento di temperatura può provocare la rottura del vetro.
- ▶ Disinserire l'alimentazione elettrica dell'elettrodomestico prima di effettuare la pulizia.
- ▶ In caso di riscaldamento controllare lo stato dei prodotti congelati.
- ▶ Prima della manutenzione, disattivare l'elettrodomestico e togliere la spina dalla presa di alimentazione.
- ▶ La manutenzione delle apparecchiature elettriche deve essere eseguita solo da esperti elettrici qualificati, perché riparazioni improprie possono causare notevoli danni conseguenti.

Informazioni sui gas refrigeranti

AVVERTENZA!

Manutenzione/pulizia

L'elettrodomestico contiene il refrigerante infiammabile ISOBUTANO (R600a). Assicurarsi che il circuito del refrigerante non venga danneggiato durante il trasporto o il montaggio. La perdita di refrigerante può causare lesioni oculari o incendi. Se si è verificato un danno, tenere lontane le fonti di incendio libere, ventilare accuratamente il locale, non collegare o scollegare i cavi di alimentazione dell'elettrodomestico o di qualsiasi altro dispositivo. Informare il servizio clienti.

In caso di contatto con gli occhi, sciacquare immediatamente il refrigerante sotto l'acqua corrente e contattare immediatamente un oculista.

AVVERTENZA: Il sistema di refrigerazione è sotto alta pressione. Non manometterlo. Poiché sono utilizzati refrigeranti infiammabili, si prega di installare, maneggiare e sottoporre a manutenzione l'elettrodomestico rigorosamente secondo le istruzioni e di contattare l'agente professionale o il nostro servizio post-vendita per lo smaltimento dell'elettrodomestico stesso.

AVVERTENZA!

- ▶ Prestare attenzione a non provocare un incendio dando fuoco a materiale infiammabile.
- ▶ **AVVERTENZA:** Durante il posizionamento dell'elettrodomestico, accertarsi che il cavo di alimentazione non resti impigliato o sia danneggiato.
- ▶ **AVVERTENZA:** Non posizionare prese portatili multiple o alimentazioni di potenza portatili nella parte posteriore dell'elettrodomestico.
- ▶ Non conservare in questo elettrodomestico sostanze esplosive come le bombolette aerosol con un propellente infiammabile.
- ▶ Considerando che nel freezer vengono utilizzati refrigeranti infiammabili, prestare attenzione nel momento dell'installazione, della gestione, della manutenzione e del riciclo dell'elettrodomestico.
- ▶ Contattare l'agente del servizio post-vendita per smaltire l'elettrodomestico poiché vengono utilizzati gas ad espansione infiammabili per l'isolamento.

Destinazione d'uso

Questo elettrodomestico è destinato ad essere utilizzato in applicazioni domestiche e simili, come ad esempio

- in cucine per il personale in negozi, uffici e altri ambienti di lavoro;
- in agriturismi e dai clienti negli alberghi, nei motel e in altri ambienti di tipo residenziale;
- in ambienti di tipo bed and breakfast;
- in servizi di catering e applicazioni simili non per la vendita al dettaglio.

► Se l'elettrodomestico non viene utilizzato per lunghi periodi di tempi.

- Togliere gli alimenti.
- Staccare il cavo di alimentazione elettrica dall'impianto elettrico.
- Pulire l'elettrodomestico come descritto in precedenza.
- Tenere le porte aperte per evitare la formazione di cattivi odori all'interno.

► Per garantire la conservazione sicura dei prodotti alimentari, rispettare le presenti istruzioni per l'uso.

► I dettagli sulla parte più appropriata nello scomparto dell'elettrodomestico in cui devono essere conservati specifici tipi di alimenti, considerando la distribuzione della temperatura che può essere presente nei diversi scomparti dell'elettrodomestico, sono nell'altra parte del manuale.


► Per evitare la contaminazione degli alimenti, si prega di rispettare le seguenti istruzioni:

- L'apertura prolungata della porta può causare un significativo aumento della temperatura nei vani dell'elettrodomestico.
- Pulire regolarmente le superfici che possono venire a contatto con gli alimenti e i sistemi di scarico accessibili.
- Conservare la carne cruda e il pesce in contenitori adatti nel congelatore, in modo che non vengano a contatto o non gocciolino su altri alimenti.
- Gli scomparti per surgelati a due stelle sono adatti alla conservazione di alimenti precongelati, alla conservazione o alla preparazione di gelati e alla produzione di cubetti di ghiaccio.

- Gli scomparti a una, due e tre stelle non sono adatti al congelamento di alimenti freschi.
- Se il frigorifero viene lasciato vuoto per lunghi periodi di tempo, spegnere, sbrinare, pulire, asciugare e lasciare la porta aperta per evitare che si formi muffa all'interno.

Smaltimento



Il simbolo  sul prodotto o sul relativo imballaggio indica che questo prodotto non può essere trattato come rifiuto domestico. Deve invece essere consegnato ad un punto di raccolta appropriato per il riciclo di dispositivi elettrici ed elettronici. Il corretto smaltimento di questo prodotto permette di evitare possibili danni all'ambiente e alla salute dell'uomo, che altrimenti potrebbero essere provocati dallo smaltimento inappropriato del prodotto. Per informazioni più dettagliate relative al riciclaggio di questo prodotto, si consiglia di contattare il proprio ufficio comunale, il proprio servizio di smaltimento rifiuti domestici o l'esercente presso il quale è stato acquistato il prodotto.

Poiché vengono utilizzati gas ad espansione infiammabili per l'isolamento, si prega di contattare l'agente professionale o il nostro servizio post-vendita per lo smaltimento dell'elettrodomestico.

AVVERTENZA!

Pericolo di lesioni o soffocamento!

I refrigeranti e i gas devono essere smaltiti in modo professionale. Assicurarsi che la tubazione del circuito frigorifero non sia danneggiata prima di essere smaltita correttamente. Staccare l'elettrodomestico dalla rete elettrica. Tagliare il cavo di alimentazione e smaltirlo. Rimuovere i ripiani e i cassetti, nonché la serratura della porta e le guarnizioni, per evitare che bambini e animali domestici rimangano chiusi all'interno dell'elettrodomestico.

2.1 Destinazione d'uso

Questo elettrodomestico è destinato ad essere utilizzato in applicazioni domestiche e simili, come ad esempio.

- in cucine per il personale in negozi, uffici e altri ambienti di lavoro;
- in agriturismi e dai clienti negli alberghi, nei motel e in altri ambienti di tipo residenziale;
- in ambienti di tipo bed and breakfast;
- in servizi di catering e applicazioni simili non per la vendita al dettaglio.

Questo elettrodomestico è destinato al congelamento degli alimenti. È stato progettato esclusivamente per l'uso in ambienti residenziali asciutti. Non è destinato ad uso commerciale o di laboratorio.

Non sono consentiti cambiamenti o modifiche all'elettrodomestico. L'uso diverso da quanto previsto può causare pericoli e la perdita dei diritti di garanzia.

2.2 Accessori

Controllare gli accessori e la documentazione secondo questa lista

2.2



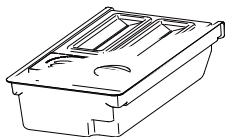
Etichetta
energetica



Scheda di
garanzia



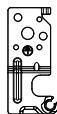
Manuale d'uso



Dispositivo per la
produzione del
ghiaccio con
cucchiaio



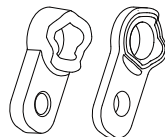
Coperchio ter-
minale bordo
superiore sinistro



Cerniera superiore
destra per invertire
la porta



Copricerniera superiore
destro



Copri-perni



Avviso: Differenza

A causa di modifiche tecniche e modelli diversi, alcune delle illustrazioni di questo manuale possono differire dal modello in vostro possesso.



- | | | | |
|---|----------------------------------|---|--------------------------|
| 1 | Lampada LED | 6 | Ripiani porta regolabili |
| 2 | Coperchio dei condotti dell'aria | 7 | Targa dei dati |
| 3 | Ripiani in vetro | 8 | Maniglia della porta |
| 4 | Cassetti freezer | 9 | Ice maker a rotazione |
| 5 | Piedini regolabili | | |

Nota: Questo prodotto contiene una fonte luminosa con efficienza energetica di classe <G>.

4.1 Primo utilizzo

- ▶ Rimuovere i materiali di imballaggio, tenerli fuori dalla portata dei bambini e smaltirli nel rispetto dell'ambiente.
- ▶ Pulire l'interno e l'esterno dell'elettrodomestico utilizzando acqua tiepida e un detergente non aggressivo prima di introdurre alimenti.
- ▶ Dopo avere livellato e pulito l'elettrodomestico, attendere almeno 2 ore prima di collegarlo all'alimentazione elettrica. Vedere la sezione INSTALLAZIONE.
- ▶ Pre-raffreddare i vani per 2 ore ad impostazioni elevate prima di introdurre gli alimenti. La funzione di raffreddamento rapido (Super Freeze) aiuta a raffreddare rapidamente il vano.



I diversi alimenti devono essere collocati in aree diverse a seconda delle loro proprietà (Fig. 4.1)

Il congelatore è consigliato per conservare carne, pesce, pizza e altri alimenti congelati.

Gli alimenti possono essere conservati nel freezer ad una temperatura di almeno -18°C per un periodo di 2-12 mesi, a seconda delle loro proprietà (ad esempio, la carne: 3-12 mesi, le verdure: 6-12 mesi)

Per evitare la scadenza dei periodi di conservazione, si prega di annotare sulla confezione la data di congelamento, il limite di tempo e il nome dell'alimento in base ai periodi di conservazione dei diversi alimenti.

4.2 Accensione e spegnimento dell'elettrodomestico

L'elettrodomestico è in funzione non appena viene collegato alla rete di alimentazione.

- ▶ La temperatura del freezer è impostata automaticamente a -18°C . Si tratta dell'impostazione consigliata e della temperatura ideale per gli alimenti congelati. Se lo si desidera, è possibile modificare manualmente questa temperatura. Vedere REGOLAZIONE DELLA TEMPERATURA.



Avviso: Predisposizioni

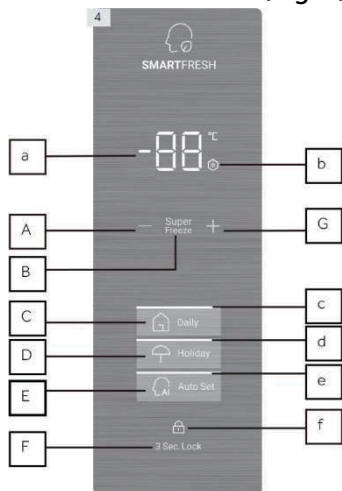
1. L'elettrodomestico è impostato alla temperatura consigliata di -18°C . In condizioni ambientali normali non è necessario modificare la temperatura.
2. Quando l'elettrodomestico viene acceso dopo il disinserimento dalla rete di alimentazione principale, possono essere necessarie fino a 12 ore per raggiungere la temperatura corretta.

Svuotare l'elettrodomestico prima di spegnerlo. Per spegnere l'elettrodomestico, staccare il cavo di alimentazione dalla presa di corrente.

4.3 Modalità standby del display

Quando la porta è chiusa, il display si spegne automaticamente dopo 30 secondi se non viene azionato nulla. Il display si blocca automaticamente. Si accende quando si preme un tasto qualsiasi o si apre la porta.

4.4 Pannello di controllo (Fig. 4)

**Descrizione delle icone**

- a: Icona di visualizzazione della temperatura
- b: Icona Super Freeze
- c: Icona Daily (funzione giornaliera)
- d: Icona Holiday (vacanza)
- e: Icona Auto Set
- f: Icona Lock

Descrizione dei tasti

- A: Tasto impostazione diminuzione temperatura: Premere per diminuire la temperatura
- B: Tasto Super Freeze: Premere per attivare la funzione Super Freeze
- C: Tasto funzione Daily Premere per attivare le funzioni giornaliere
- D: Tasto Holiday: Premere per attivare la funzione Holiday
- E: Tasto Auto Set: Premere per attivare la funzione Auto Set
- F: Tasto Lock: Tenere premuto per 3 secondi per bloccare o sbloccare
- G: Tasto impostazione aumento temperatura: Premere per aumentare la temperatura

4.5 Blocco e sblocco del display

Blocco automatico

Il pannello di controllo può entrare automaticamente nella funzione di blocco (Lock). Il display si blocca automaticamente dopo 30 secondi senza alcuna attivazione.

Blocco manuale

Quando il display è sbloccato, premere "Lock" (F) e tenere premuto per 3 secondi; dopo un bip, l'icona "Lock" (f) si accende, il display è bloccato. Quando il display è bloccato, premere "Lock" (F) e tenere premuto per 3 secondi; dopo un bip, l'icona "Lock" (f) è spenta, e il display è sbloccato.

**Avviso: Blocco del display**

Quando il display è bloccato, funzioni come la regolazione della temperatura o l'impostazione delle funzioni sono disabilitate. Quando si tenta l'operazione di cui sopra, l'icona "Lock" (f) lampeggia per 3 volte per ricordare che il display è bloccato.

4.6 Impostazione della temperatura

La gamma di temperatura di questo freezer può essere impostata tra -14°C ~ -24°C ; Quando il display è sbloccato, nella funzione Daily, premere "Diminuzione dell'impostazione della temperatura" (A), dopo un bip, l'icona "Display temperatura" (a) inizia a lampeggiare ed entra nella modalità di impostazione della temperatura. E poi ogni volta che si preme "Impostazione diminuzione temperatura" (A), l'avvisatore acustico suona e la temperatura si abbassa di 1°C , il valore più basso è di -24°C . Una volta impostata la temperatura, il valore impostato di temperatura è determinato e smette di lampeggiare dopo 5 secondi senza alcuna attivazione.

Dopo che il display è sbloccato, nella funzione Daily, premere "Impostazione aumento temperatura" (G), dopo un bip, l'icona "Visualizzazione della temperatura" (a) inizia a lampeggiare ed entra nella modalità di impostazione della temperatura; ogni volta che si preme "Impostazione aumento temperatura" (G), l'avvisatore acustico emette un segnale, la temperatura aumenta di 1°C , fino a -14°C . Dopo l'impostazione della temperatura, il valore impostato della temperatura è determinato e l'icona (a) smette di lampeggiare dopo 5 secondi senza alcuna attivazione.

4.7 Funzione Daily (C)

L'elettrodomestico è in funzione Daily non appena viene collegato per la prima volta alla rete elettrica e l'icona "Daily" (c) si accende. La temperatura può essere impostata solo con questa funzione.

4.8 Funzione Super Freeze (B)

La modalità Super Freeze è ottimale per preservare il potere nutrizionale degli alimenti, riesce a congelarli in meno tempo. Prima di mettere molti alimenti nel freezer, attivare la funzione Super Freeze per avere una temperatura più bassa, in modo tale da garantire un miglior risultato di congelamento.

Quando il display è sbloccato, toccando "Super Freeze" (B), l'icona Super Freeze (b) si accende, il freezer funziona in modalità Super Freeze. Per uscire manualmente dalla funzione Super Freeze, ripetere le fasi precedenti. In caso contrario, la funzione sarà automaticamente disabilitata dopo 50 ore.

Se avete una grande quantità di alimenti da congelare in una sola volta, si raccomanda di attivare la funzione 24 ore prima di inserirli. La funzione si ferma automaticamente dopo 50 ore o manualmente. Il consumo di energia aumenterà quando questa funzione è attivata.

In modalità Super Freeze, la temperatura operativa del freezer varia a seconda della quantità di alimenti introdotti e delle condizioni ambientali. La temperatura all'interno del vano freezer potrebbe essere potenzialmente abbassata a -37°C .



Avviso: Super Freeze

1. In modalità Super Freeze, la temperatura non può essere regolata. Se lo fate, l'icona Super Freeze lampeggerà per 3 volte per ricordare che il congelatore è in modalità Super Freeze.
2. Nella modalità Super Freeze, se è impostata la funzione Auto Set o Holiday, "Super Freeze" (b) è spento, la funzione Super Freeze si disattiva automaticamente e si entra nella funzione Auto Set o Holiday.

4.9 Funzione Holiday (Vacanza)

Quando il display è sbloccato, toccando "Super Freeze" (B), l'icona Super Freeze (b) si accende, il freezer funziona in modalità Super Freeze. Nella modalità Holiday, toccando "Holiday" (D), l'icona Holiday (d) è spenta, e il freezer esce dalla funzione Holiday. Nella modalità Holiday, se la temperatura prima di entrare in Holiday è superiore a -18°C , dopo essere entrati nella funzione Holiday, la temperatura è automaticamente impostata a -18°C ; se la temperatura prima di entrare in Holiday è inferiore a -18°C , dopo essere entrati nella funzione Holiday, la temperatura resta immutata.

Avviso: Funzione Holiday

1. In modalità Holiday, la temperatura non può essere regolata. Se lo fate, l'icona Holiday lampeggerà alternativamente per 3 volte per ricordare che il freezer è in modalità Holiday.
2. In modalità Holiday, se è impostata la funzione Auto Set, Daily o Super Freeze, l'icona Holiday (d) è spenta, la funzione Holiday si disattiva automaticamente e si entra nella funzione Auto Set, Daily o Super Freeze.

4.10 Funzione Auto Set (E)

Quando il display è sbloccato, toccando "Auto Set" (E), l'icona "Auto Set" (e) si accende, il freezer funziona nella funzione Auto Set. In modalità Auto Set, toccando "Auto Set" (E), l'icona (e) è spenta, e il freezer esce dalla funzione Auto Set.

Nella funzione Auto Set, il freezer funziona a -18°C .

Avviso: Funzione Auto Set

1. In modalità Auto Set, la temperatura non può essere regolata. Se lo fate, l'icona Auto Set lampeggerà alternativamente per 3 volte per ricordare che il freezer è in modalità Auto Set.
2. In modalità Holiday, se è impostata la funzione Auto Set, Daily o Super Freeze, l'icona Auto Set (e) è spenta, la funzione Auto Set si disattiva automaticamente e si entra nella funzione Holiday, Daily o Super Freeze.

4.11 Funzione di controllo del display

Quando la porta è chiusa, il display si spegne automaticamente dopo 30 secondi se non viene azionato nulla. Il display si blocca automaticamente. Si accende automaticamente quando si preme un tasto qualsiasi o si apre la porta.

4.12 Memoria di spegnimento

Questo freezer ha una memoria di spegnimento, le impostazioni prima dello spegnimento saranno memorizzate. Quando l'alimentazione è bloccata, il freezer tornerà all'impostazione precedente allo spegnimento e continuerà a funzionare. Il blocco non è memorizzato, dopo la riaccensione, il display è sbloccato.

4.13 Allarme porta aperta

Quando il freezer viene tenuto aperto per più di 1 minuto, l'avvisatore acustico emette 3 bip con un intervallo di 0,5 secondi. I bip saranno ripetuti ogni 30 secondi se la porta viene tenuta aperta. I bip si fermano fino alla chiusura della porta o dopo 7 minuti di apertura della porta. L'avvisatore acustico smette di suonare e la luce del freezer si spegne.

4.14 Allarme di alta temperatura

Questo freezer è dotato di un allarme di alta temperatura. In modalità congelatore o Super Freeze, se l'icona del display della temperatura mostra "HH" con dei bip, toccando qualsiasi tasto, il bip si ferma, ma l'icona del display della temperatura continua a lampeggiare, questo significa che la temperatura nel freezer è troppo alta. Controllare se la porta è ben chiusa o se una grande quantità di alimenti caldi viene messa all'interno del freezer. Dopo un dato periodo, l'icona del display della temperatura smetterà di lampeggiare. Se non smette di lampeggiare "HH" per molto tempo, e i bip che vengono cancellati manualmente suonano di nuovo, contattare il servizio post-vendita.

4.15 Indicazioni di errore

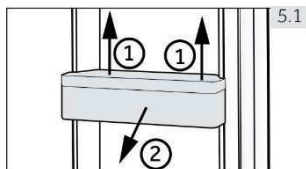
Quando l'icona del display mostra E1, E2 e altri codici e lampeggia, indica che il freezer è difettoso. In questa situazione, il freezer potrebbe ancora congelare gli alimenti, ma l'utente dovrebbe contattare il servizio post-vendita il prima possibile per un controllo ottimale del freezer.



4.16 Accorgimenti per il risparmio energetico

- ▶ Accertarsi che l'elettrodomestico sia adeguatamente ventilato (vedere INSTALLAZIONE).
- ▶ Non installare l'elettrodomestico alla luce diretta del sole o in prossimità di fonti di calore (ad esempio stufe, termosifoni).
- ▶ Evitare che la temperatura dell'apparecchio sia inutilmente bassa. Il consumo di energia aumenta quanto più bassa è la temperatura impostata nell'elettrodomestico.
- ▶ Lasciare raffreddare gli alimenti caldi prima di metterli nell'elettrodomestico.
- ▶ Aprire lo sportello dell'elettrodomestico il meno possibile e tenerlo aperto il più breve tempo possibile.
- ▶ Assicuratevi che la porta si chiuda sempre in modo corretto e la chiusura non sia impedita dalla posizione degli alimenti. Tenere pulita la guarnizione della porta.
- ▶ Scongelare gli alimenti surgelati nel frigorifero.
- ▶ Pulire la parte posteriore regolarmente. La polvere aumenta il consumo di energia.
- ▶ La configurazione a maggior risparmio energetico richiede che il cassetto, lo scomparto per gli alimenti e gli scaffali siano posizionati nell'elettrodomestico come forniti di fabbrica, e gli alimenti siano posizionati senza bloccare l'uscita dell'aria del condotto.

5 - Apparecchiature

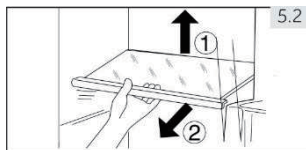


5.1 Ripiani rimovibili nella porta

I ripiani della porta possono essere tolti per la pulizia: Mettere le mani su ogni lato del ripiano, sollevarlo verso l'alto (1) e tirarlo fuori (2) (Fig. 5.1).

Per l'inserimento del ripiano della porta, le fasi sopra descritte vengono eseguite in ordine inverso.

5.2 Ripiani in vetro



1. Per estrarre un ripiano, rimuoverlo prima sollevandone il bordo posteriore (1) ed estraendolo (2) (Fig. 5.2).
2. Per rimontarlo, posizionarlo sulle alette su entrambi i lati e spingerlo nella posizione più arretrata fino a fissare la parte posteriore del ripiano all'interno delle fessure dei lati.

6.1 Considerazioni generali

Pulire l'elettrodomestico quando si conservano pochi alimenti o quando è vuoto e staccarlo dall'alimentazione.

- ▶ Tenere sempre pulita la guarnizione della porta.
- ▶ Pulire l'interno e l'alloggiamento dell'elettrodomestico con una spugna inumidita in acqua calda e detergente neutro.

1. Strofinare l'interno e l'esterno del freezer, compresa la guarnizione della porta, i ripiani della porta, i ripiani in vetro, i contenitori e così via, con uno straccio morbido o una spugna imbevuta di acqua calda (si può aggiungere del detersivo neutro nell'acqua calda).
2. In caso di fuoriuscita di liquido, rimuovere tutte le parti contaminate, sciacquare direttamente con acqua corrente, asciugare e rimettere nel freezer.
3. Se c'è della panna versata (come panna o gelato che si sta sciogliendo), togliete tutte le parti contaminate, metterle in acqua calda a circa 40°C per un po' di tempo, poi sciacquatele con acqua corrente, asciugatele e rimettetele in freezer.
4. Nel caso in cui qualche piccolo pezzo o componente rimanga incastrato all'interno del freezer (tra i ripiani o i cassetti), utilizzare una piccola spazzola morbida per liberarli. Se non riuscite a raggiungere il pezzo, contattate il servizio Haier.



6.2 Mancato utilizzo per un periodo prolungato

Se l'elettrodomestico non viene utilizzato per lunghi periodi di tempo:

- ▶ Togliere gli alimenti.
- ▶ Staccare il cavo di alimentazione elettrica dall'impianto elettrico.
- ▶ Pulire l'elettrodomestico come descritto in precedenza.
- ▶ Tenere la porta e i contenitori del freezer aperti per evitare la formazione di cattivi odori all'interno.

Togliere la porta dell'elettrodomestico (aprire la porta e tenerla prima di togliere le viti) per evitare che i bambini entrino nell'elettrodomestico e restino chiusi dentro.



Avviso: Spegnimento

Per garantire la durata dell'elettrodomestico, spegnerlo solo se strettamente necessario.

6.3 Spostamento dell'elettrodomestico

1. Togliere tutti gli alimenti e staccare l'elettrodomestico.
2. Fissare gli scaffali e le altre parti mobili nel freezer con nastro adesivo.
3. Chiudere la porta e fissarla con nastro adesivo.
4. Non inclinare il freezer più di 45° per evitare di danneggiare il sistema di refrigerazione.
5. Avvolgere i piedi del freezer per evitare di graffiare il pavimento. Non spostare mai il congelatore con forza.

Molti dei problemi che si verificano possono essere risolti da soli senza una competenza specifica. In caso di problemi, verificare tutte le possibilità illustrate e seguire le seguenti istruzioni prima di contattare un servizio post-vendita.

L'allarme acustico può essere disattivato premendo qualsiasi pulsante.

7.1 Qualcosa non funziona

| Problema | Possibile causa | Possibile soluzione |
|---|--|--|
| Il compressore non funziona. | <ul style="list-style-type: none"> La spina di rete non è collegata alla presa di corrente. | <ul style="list-style-type: none"> Collegare la spina di alimentazione di rete. |
| L'elettrodomestico funziona frequentemente o funziona per un periodo di tempo troppo lungo. | <ul style="list-style-type: none"> La temperatura interna o esterna è troppo elevata. L'elettrodomestico è rimasto spento per un certo periodo di tempo. La porta dell'elettrodomestico non è ben chiusa. L'apertura della porta è troppo frequente o troppo prolungata. L'impostazione della temperatura è troppo bassa. La guarnizione della porta è sporca, consumata, rotta o fuori sede. La necessaria circolazione dell'aria non è garantita. L'interno è coperto di ghiaccio. | <ul style="list-style-type: none"> In questo caso è normale che l'elettrodomestico funzioni più a lungo. Normalmente ci vogliono dalle 8 alle 12 ore perché l'elettrodomestico si raffreddi completamente. Chiudere la porta e assicurarsi che l'elettrodomestico sia posizionato su un terreno piano e che non vi siano alimenti o contenitori che ostacolano la chiusura della porta. Non aprire la porta con troppa frequenza. Impostare la temperatura più alta fino ad ottenere una temperatura soddisfacente. Ci vogliono 24 ore perché la temperatura si stabilizzi. Pulire la guarnizione della porta o farla sostituire dal servizio clienti. Garantire una ventilazione adeguata. Sbrinare l'elettrodomestico. |
| L'elettrodomestico è insolitamente rumoroso. | <ul style="list-style-type: none"> L'elettrodomestico non si trova su un terreno pianeggiante. L'elettrodomestico tocca uno degli oggetti vicini. L'elettrodomestico si trova su un pavimento di legno o vicino a pareti di legno. | <ul style="list-style-type: none"> Livellare l'elettrodomestico. Togliere gli oggetti intorno all'elettrodomestico. Il legno amplifica il suono. Posizionare l'elettrodomestico da un'altra parte |
| L'elettrodomestico è rumoroso | <ul style="list-style-type: none"> Questo è normale. È causato dall'accensione o dallo spegnimento della centralina di refrigerazione. | <ul style="list-style-type: none"> |
| Si sente un leggero suono simile a quello dell'acqua che scorre. | <ul style="list-style-type: none"> Questo è normale. | <ul style="list-style-type: none"> |

| Problema | Possibile causa | Possibile soluzione |
|---|---|--|
| Si sente un rumore di motore dall'elettrodomestico. | <ul style="list-style-type: none"> La centralina di refrigerazione si è appena accesa da sola. Si tratta di una condizione normale | <ul style="list-style-type: none"> |
| Non fa abbastanza freddo all'interno dell'elettrodomestico. | <ul style="list-style-type: none"> La temperatura è impostata su valori troppo elevati. Sono stati introdotti troppi alimenti in una sola volta. Sono stati introdotti alimenti troppo caldi. Gli alimenti sono troppo vicini gli uni agli altri. La porta non è ben chiusa. L'apertura della porta è troppo frequente o troppo prolungata. | <ul style="list-style-type: none"> Ripristinare la temperatura. Raffreddare sempre gli alimenti prima di introdurli. Conservare sempre piccole quantità di alimenti. Lasciare uno spazio vuoto tra i diversi alimenti permettendo un flusso d'aria. Chiudere la porta. Non aprire la porta con troppa frequenza. |
| È troppo freddo all'interno dell'elettrodomestico. | <ul style="list-style-type: none"> La temperatura è stata impostata su valori troppo bassi. La funzione Super Freeze è attivata o dura da troppo tempo. | <ul style="list-style-type: none"> Ripristinare la temperatura. Funzione Super Freeze. |
| L'umidità si accumula sulla superficie dell'elettrodomestico. | <ul style="list-style-type: none"> Il clima è troppo caldo e troppo umido. | <ul style="list-style-type: none"> Questo è normale in un clima umido e cambierà quando l'umidità diminuisce. Asciugare con un panno. |
| Ghiaccio forte e brina nel vano congelatore. | <ul style="list-style-type: none"> Gli alimenti non sono stati adeguatamente imballati. La porta non è ben chiusa. L'apertura della porta è troppo frequente o troppo prolungata. La guarnizione della porta è sporca, consumata, rotta o fuori sede. Qualcosa all'interno impedisce alla porta di chiudersi correttamente. | <ul style="list-style-type: none"> Imballare sempre bene gli alimenti. Chiudere la porta. Non aprire la porta con troppa frequenza. Pulire la guarnizione della porta o farla sostituire dal servizio clienti. Riposizionare i ripiani, i ripiani delle porte o i contenitori interni per consentire la chiusura della porta. |
| Il sistema di raffreddamento non funziona. | <ul style="list-style-type: none"> La spina di rete non è collegata alla presa di corrente. L'alimentazione non è intatta. | <ul style="list-style-type: none"> Collegare la spina di alimentazione di rete. Controllare l'alimentazione elettrica della stanza. Chiamare l'azienda elettrica locale! |
| I lati dell'armadio e la striscia della porta si riscaldano. | <ul style="list-style-type: none"> Questo è normale. | <ul style="list-style-type: none"> |
| Si sente un segnale di allarme | <ul style="list-style-type: none"> La porta è aperta La temperatura all'interno dell'elettrodomestico è troppo alta | <ul style="list-style-type: none"> Chiudere la porta o silenziare l'allarme manualmente. |

| Problema | Possibile causa | Possibile soluzione |
|--|--|--|
| Difficile apertura della porta. | <ul style="list-style-type: none"> Una volta che l'elettrodomestico funziona, c'è depressione all'interno. | <ul style="list-style-type: none"> Aprire delicatamente la guarnizione della porta per far entrare l'aria nell'elettrodomestico. |
| La porta non si può chiudere correttamente. Lascia sempre del gioco. | <ul style="list-style-type: none"> A causa della bassa temperatura dell'elettrodomestico, la guarnizione della porta può facilmente indurirsi e deformarsi. | <ul style="list-style-type: none"> Usare un asciugacapelli o mettere un asciugamano caldo sul punto in cui la guarnizione è deformata. Quando la guarnizione è di nuovo morbida, chiudere la porta spingendola bene. |

7.2 Interruzione di alimentazione

In caso di interruzione di corrente, gli alimenti dovrebbero rimanere freddi per circa 15 ore. Seguire questi consigli durante un'interruzione prolungata della corrente, soprattutto in estate:

- ▶ Aprire la porta il meno possibile.
- ▶ Non mettere altri alimenti nel freezer durante un'interruzione di corrente.
- ▶ Se viene dato preavviso di un'interruzione di corrente e la durata dell'interruzione è superiore a 15 ore, produrre del ghiaccio e metterlo in un contenitore nella parte superiore del vano freezer.
- ▶ Poiché la temperatura nel freezer aumenterà durante un'interruzione di corrente o un altro guasto, il periodo di conservazione e la qualità degli alimenti commestibili si ridurrà. Gli alimenti che si scongelano devono essere consumati, o cotti e ricongelati (ove opportuno) subito dopo per evitare rischi per la salute.



Avviso: Funzione di memoria durante l'interruzione dell'alimentazione

Dopo il ripristino della corrente l'elettrodomestico continua con le impostazioni che erano state effettuate prima della mancanza di corrente.

7.3 LED Parametri e sostituzione della lampada

Parametro LED Lamp: 12V, 6W

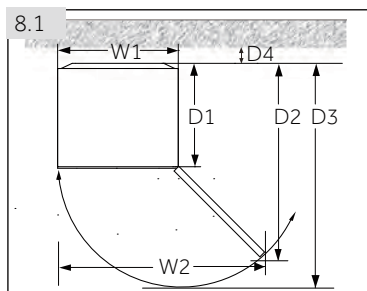
Si tratta di lampada LED, che ha un basso consumo energetico e una lunga durata di servizio. Se c'è qualche abnormality, per favore non smontare da solo. Si prega di contattare il personale post-vendita per il servizio porta a porta.

8.1 Disimballaggio

- ▶ Estrarre l'elettrodomestico dall'imballaggio.
- ▶ Rimuovere tutti i materiali di imballaggio.

8.2 Condizioni ambientali

La temperatura ambiente deve essere sempre compresa tra 18°C e 43°C, poiché può influenzare la temperatura all'interno dell'elettrodomestico e il suo consumo energetico. Non installare l'elettrodomestico vicino ad altri elettrodomestici che emettono calore (forni, frigo) senza isolamento.



8.3 Requisiti di spazio

Spazio necessario per aprire la porta (Fig. 8.1):

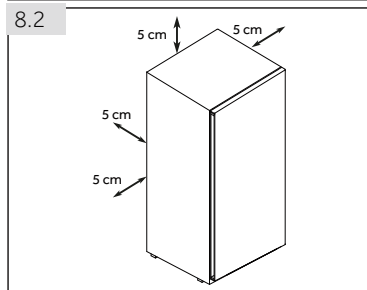
| Larghezza in mm | | Profondità in mm | | | Distanza dal muro in mm |
|-----------------|------|------------------|------|------|-------------------------|
| W1 | W2 | D1 | D2 | D3 | D4 |
| 705 | 1076 | 603 | 1243 | 1327 | 50 |

Per un apparecchio a standing gratuito: questo apparecchio di refrigerazione non è destinato ad essere utilizzato come apparecchio incorporato.

8.4 Sezione trasversale di ventilazione

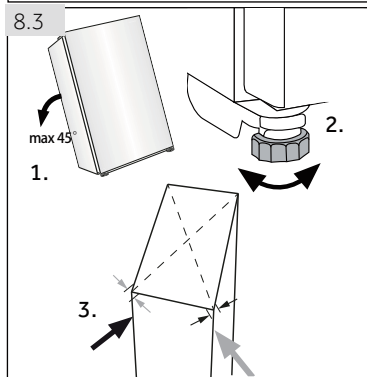
Per ottenere una sufficiente ventilazione dell'elettrodomestico per motivi di sicurezza, è necessario rispettare le indicazioni relative alle sezioni trasversali di ventilazione necessarie (Fig. 8.2).

PER un elettrodomestico a libera installazione: questo elettrodomestico refrigerante non è destinato ad essere utilizzato come elettrodomestico da incasso.



8.5 Allineamento dell'elettrodomestico

L'elettrodomestico deve essere collocato su una superficie piana e solida. Se l'elettrodomestico è posto su un piedistallo, si devono usare materiali robusti e resistenti al fuoco. Non usare mai il materiale di imballaggio in schiuma come piedistallo.

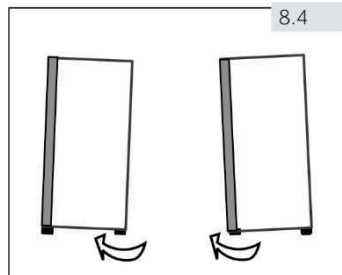


1. Inclinare leggermente l'elettrodomestico all'indietro (Fig. 8.3).
2. Regolare i piedini al livello desiderato.
3. La stabilità può essere verificata battendo alternativamente sulle diagonali. Il lieve ondeggiamento dovrebbe essere lo stesso in entrambe le direzioni. In caso contrario, il telaio può deformarsi; il risultato sono possibili perdite dalle guarnizioni della porta. Una leggera tendenza verso la parte posteriore facilita la chiusura della porta.

8.6 Utilizzo di piedini regolabili

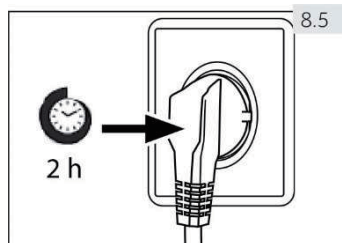
Se il freezer non è stabile, i piedini possono essere regolati: Ruotare i piedini regolabili in direzione della freccia (Fig. 8.4) per alzarli o abbassarli:

- ▶ Ruotare i piedini in senso orario per sollevare l'elettrodomestico.
- ▶ Ruotare i piedini in senso antiorario per abbassarlo.



8.7 Tempo di attesa

L'olio di lubrificazione esente da manutenzione si trova nella capsula del compressore. Questo olio può penetrare attraverso il sistema di tubazioni chiuse durante il trasporto inclinato. Prima di collegare l'elettrodomestico all'alimentazione elettrica bisogna attendere almeno 2 ore (Fig. 8.5) in modo che l'olio ritorni nella capsula.



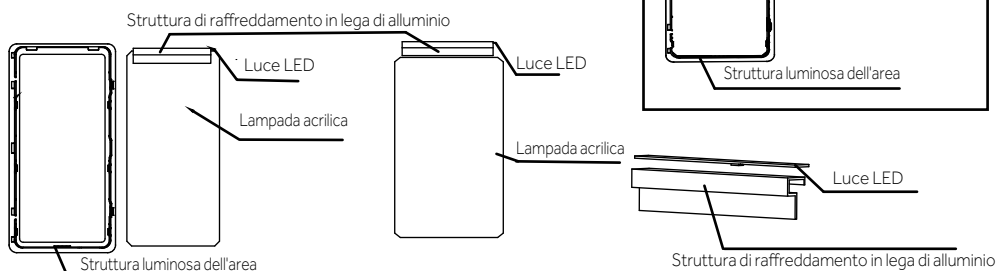
8.8 Collegamento elettrico

Prima di ogni collegamento controllare se:

- ▶ l'alimentazione elettrica, la presa e i fusibili corrispondono alla targa dei dati.
- ▶ La presa di corrente è messa a terra e non vi sono prese multiple o prolunghe.
- ▶ La spina e la presa di corrente sono rigorosamente conformi.

Collegare la spina ad una presa domestica installata correttamente.

8.9 Diagramma della sorgente luminosa dell'area



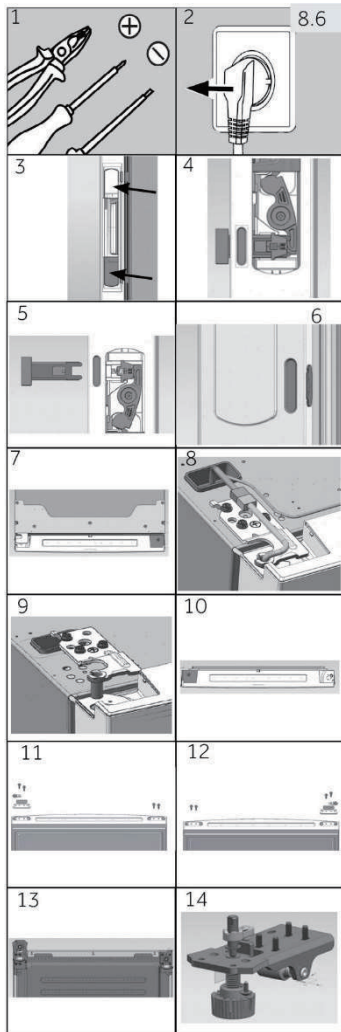
Premere la fibbia per dividere la cornice di luce dell'area e la sorgente di luce dell'area

Rimuovere il nastro Foil in alluminio su entrambi i lati del telaio di raffreddamento lega di alluminio, e il telaio di raffreddamento in lega di alluminio può essere rimosso

Dividere il telaio di raffreddamento in lega di LED e alluminio (collegamento adesivo a doppio taglio)

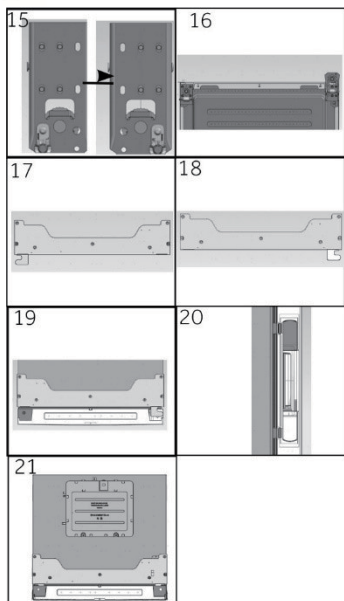
8.10 Reversibilità della porta

Prima di collegare l'elettrodomestico all'alimentazione elettrica si dovrebbe verificare se l'inclinazione della porta deve essere cambiata da sinistra (come fornito di fabbrica) a destra, se questo è richiesto dal luogo di installazione e dalle necessità di utilizzo.



Fasi di montaggio (Fig. 8.6):

1. Predisporre lo strumento necessario.
2. Disattivare l'alimentazione elettrica dell'apparecchio.
3. Aprire i coperchi della maniglia superiore e inferiore sul lato destro della porta.
4. Fare leva leggermente sul cursore bianco.
5. Togliere i 2 puntalini e rimettere il coperchio della maniglia.
6. Togliere i 2 tappi di gomma sul lato sinistro della porta e metterli con i puntalini rimossi nella fase 20.
7. Togliere 7 viti e il coperchio della cerniera. Fare attenzione a non strappare il cavo della porta.
8. Staccare il cavo di collegamento.
9. Togliere 3 viti della cerniera e la cerniera superiore sinistra, quindi togliere la porta con attenzione.
10. Mettere una scatola di cartone o un panno sotto la porta e posizionare la porta in orizzontale. Rimuovere il coperchio terminale destro della porta, prendere il coperchio terminale sinistro dalla borsa degli accessori. Montarlo sul lato superiore sinistro della porta.
11. Togliere 2 viti sul fondo destro della porta. Togliere 2 viti. Fermo della porta e copri-perni sul fondo sinistro della porta.
12. Prendere il fermo della porta dall'ultima fase e il copri-perni destro dalla borsa degli accessori, fissandoli con 2 viti. Fissare 2 viti anche sull'altro lato della porta.
13. Appoggiare la parte posteriore dell'armadio dopo avere posizionato al di sotto stracci più spessi. Togliere 4 viti e la cerniera inferiore.
14. Svitare il copri-perni.



15. Prendere il copri-perni dalla borsa degli accessori. Fissarlo con una vite.
16. Scambiare la posizione della piastra delle rotelle e della cerniera inferiore dopo la sostituzione.
17. Smontare il coperchio piccolo della cerniera sinistra e il coperchio della cerniera dal coperchio della cerniera.
18. Cambiare il coperchio della cerniera dall'altro lato e prendere il coperchio piccolo della cerniera destra dalla borsa degli accessori. Montarlo sul coperchio della cerniera.
19. Montare la porta, installare la cerniera sinistra, collegare il cavo di collegamento e fissare il coperchio della cerniera con le viti.
20. Montare il puntalino rimosso sul lato sinistro della porta, e poi inserire i tappi di gomma nel foro del puntalino della maniglia sul lato destro della porta.
21. Procedura terminata.

La garanzia minima è: 2 anni per i Paesi UE, 3 anni per la Turchia, 1 anno per il Regno Unito, 1 anno per la Russia, 3 anni per la Svezia, 2 anni per la Serbia, 5 anni per la Norvegia, 1 anno per il Marocco, 6 mesi per l'Algeria, per la Tunisia non è richiesta alcuna garanzia legale.

Termostati, sensori di temperatura, circuiti stampati e sorgenti luminose sono disponibili per un periodo minimo di sette anni dopo l'immissione sul mercato dell'ultima unità del modello. Maniglie delle porte, cerniere delle porte, ripiani e cestelli per un periodo minimo di sette anni e guarnizioni delle porte per un periodo minimo di 10 anni, dopo l'immissione sul mercato dell'ultima unità del modello.

Per ulteriori informazioni sul prodotto, consultare

<https://eprel.ec.europa.eu/> o scansionare il QR sull'etichetta energetica fornita con l'elettrodomestico.

Per contattare l'assistenza tecnica, visitate il nostro sito web:

<https://corporate.haier-europe.com/en/>

Nella sezione "website", scegliete il marchio del vostro prodotto e il vostro paese.

Verrete reindirizzati al sito web specifico dove potrete trovare il numero di telefono e il modulo per contattare l'assistenza tecnica.

| | | |
|---|----------------------|----------|
| Marchio | Haier | |
| Identificatore del modello | H2F385*F | H2F385*D |
| Categoria del modello | Freezer verticale | |
| Classe di efficienza energetica | F | D |
| Consumo annuo di energia (kWh) ¹⁾ | 356 | 228 |
| Volume di conservazione - raffreddamento (l) | non applicabile | |
| Volume di conservazione - congelamento (l) **** | 386 | |
| Valutazione a stelle | **** | |
| Temperatura di altri vani > 14°C | non applicabile | |
| Sistema frost free | sì | |
| Sicurezza dell'interruzione di corrente (h) | 11.5 | 11.5 |
| Capacità di congelamento (kg/ 24 h) | 19.5 | 19.5 |
| Classe climatica Questo elettrodomestico è destinato ad essere utilizzato ad una temperatura ambiente compresa tra 10°C e 43°C. | SN-T | |
| Emissioni di rumore aereo (dB(A)) | 39 | |
| Tipo di costruzione | libera installazione | |

1) sulla base dei risultati di test standard per 24 ore. Il consumo effettivo di energia dipenderà dalla modalità d'uso nonché dalla sua ubicazione.

Per quanto riguarda i dettagli delle specifiche, consultare la targa dei dati e l'etichetta energetica all'interno del prodotto.

Questo elettrodomestico è destinato ad essere utilizzato ad una temperatura ambiente come indicato di seguito:

| | |
|----|-----------------|
| SN | +10 °C ~ +32 °C |
| N | +16 °C ~ +32 °C |
| ST | +16 °C ~ +38 °C |
| T | +16 °C ~ +43 °C |

11.2 Dati tecnici aggiuntivi

| | |
|--------------------------|------------------|
| Tensione / Frequenza | 220-240V ~/ 50Hz |
| Corrente nominale (A) | 1.5 |
| Refrigerante | R600a |
| Dimensioni (H/W/D in cm) | 172,5/70,5/69,1 |

H2F385*F/*D_JT

Haier

Návod k obsluze



Skříňová mraznička

H2F385*F

H2F385*D

* - Colour code

CZ

Haier

Děkujeme vám za zakoupení výrobku Haier!

Před použitím spotřebiče si laskavě pečlivě přečtěte tyto pokyny. Pokyny obsahují důležité informace, které vám pomohou ze spotřebiče vytěžit maximum a zajistí bezpečnou a správnou instalaci, používání a údržbu.

Tento návod k obsluze uschovejte na vhodném místě, abyste si jej mohli kdykoli prohlédnout pro bezpečné a správné používání spotřebiče.

Pokud spotřebič prodáváte, darujete nebo ho při stěhování ponecháte na starém místě, zajistěte se, abyste také zanechali tento návod k obsluze, aby se nový majitel mohl seznámit se spotřebičem a bezpečnostními upozorněními.

VAROVÁNÍ! Nebezpečí požáru/hořlavý materiál. Symbol označuje nebezpečí požáru, protože se používají hořlavé materiály. Dbejte na to, aby nedošlo k zapálení hořlavého materiálu.



Popis

Obecné informace a tipy



Upozornění - Důležité poučení o bezpečnosti



Sdělení týkající se životního prostředí



Likvidace

Pomozte chránit životní prostředí a lidské zdraví. Obal spotřebiče vyhodte do příslušného kontejneru, aby mohl být recyklován. Pomozte recyklovat odpad z elektrických a elektronických přístrojů. Nevyhazujte přístroje označené tímto symbolem do běžného odpadu z domácnosti. Vraťte výrobek do místního zařízení pro recyklaci nebo se obraťte na svůj městský úřad.



Varování!

Nebezpečí zranění nebo udušení!

Chladivo a plyny se musí zlikvidovat profesionálně. Před řádnou likvidací se ujistěte, že potrubí chladicího okruhu není poškozeno. Odpojte spotřebič od elektrické sítě. Odřízněte kabel pro připojení do elektrické sítě a zlikvidujte ho. Aby nedošlo k zavření dětí nebo domácích mazlíčků do spotřebiče, odstraňte dveře a odmontujte západku dveří a těsnění.

| | |
|---------------------------|----|
| 1 – Bezpečnost..... | 4 |
| 2 – Určené použití..... | 11 |
| 3 – Popis produktu..... | 12 |
| 4 – Použití | 13 |
| 5 – Vybavení | 17 |
| 6 – Péče a čištění | 18 |
| 7 – Řešení problémů..... | 20 |
| 8 – Instalace..... | 23 |
| 9 – Technické údaje | 27 |

Před prvním zapnutím spotřebiče si přečtěte následující bezpečnostní pokyny!



VAROVÁNÍ!

Před prvním použitím

- ▶ Ujistěte se, že při přepravě nevznikla žádná poškození.
- ▶ Odstraňte všechny obaly a uchovávejte je mimo dosah dětí.
- ▶ Před instalací spotřebiče počkejte alespoň 2 hodiny, aby byl chladicí okruh plně účinný.
- ▶ Se spotřebičem manipulujte vždy s nejméně dvěma osobami, protože je těžký.

Instalace

- ▶ Spotřebič by měl být umístěn na dobře větraném místě. Nad spotřebičem a kolem něj zajistěte prostor nejméně 5 cm.
- ▶ **VAROVÁNÍ!** Udržujte větrací otvory na spotřebiči nebo vestavěné konstrukci bez překážek.
- ▶ Nikdy neumistujte spotřebič do vlhkého prostředí nebo na místo, kde by mohl být postříkán vodou. Vyčistěte a osušte postřiky vody a skvrny měkkým čistým hadříkem.
- ▶ Spotřebič neinstalujte na přímé sluneční světlo nebo v blízkosti zdrojů tepla (např. kamna, topná tělesa).
- ▶ Spotřebič nainstalujte a vyrovnejte v prostoru vhodném pro jeho velikost a použití.
- ▶ Ujistěte se, že elektrické informace na jmenovitém štítku odpovídají zdroji napájení. Pokud tomu tak není, obraťte se na elektrikáře.
- ▶ Spotřebič je napájen napájecím zdrojem 220–240 V střídavého proudu/50 Hz.
- ▶ Abnormální kolísání napětí může způsobit spuštění spotřebiče, poškození regulátoru teploty nebo kompresoru, nebo může dojít k abnormálnímu hluku při provozu. V takovém případě musí být namontován automatický regulátor.
- ▶ Nepoužívejte adaptéry a prodlužovací kabely s více zásuvkami.
- ▶ **VAROVÁNÍ!** V zadní části spotřebiče neumistujte vícenásobné přenosné prodlužovací zásuvky ani přenosné napájecí zdroje.
- ▶ **VAROVÁNÍ!** Při umístění spotřebiče se ujistěte, že napájecí kabel není zachycen nebo poškozen.
- ▶ Nešlapejte na napájecí kabel.
- ▶ Ujistěte se, že napájecí kabel není zachycen v mrazničce.
- ▶ Nezakrývejte větrací otvory.
- ▶ Pro snadný přístup ke zdroji napájení použijte samostatnou uzemňovou zásuvku.
- ▶ Spotřebič musí být uzemněn.
- ▶ V režimu chlazení bez čtyrhvězdkového prostoru: tento chladic i spotřebič není vhodný pro zmrazování potravin; v režimu zmrazení se čtyrhvězdkovým prostorem není tento mrazicí přístroj určen k chlazení potravin.

VAROVÁNÍ!

- ▶ **VAROVÁNÍ!** Nesmí dojít k poškození chladicího okruhu.

Denní používání

- ▶ Tento spotřebič směji používat děti starší 8 let a osoby se sníženými fyzickými, smyslovými nebo duševními schopnostmi nebo bez patřičných zkušeností a znalostí, pokud jsou pod dohledem osoby odpovědné za jejich bezpečnost, případně byly poučeny o bezpečném používání spotřebiče a rozumějí možným nebezpečím.
- ▶ Děti si se spotřebičem nesmějí hrát.
- ▶ Vkládat potraviny do chladicího spotřebiče a vyjímat je ven mohou děti ve věku od 3 do 8 let, ale nesmí čistit a instalovat chladicí spotřebiče.
- ▶ Udržujte spotřebič mimo dosah dětí do 3 let, pokud nejsou pod neustálým dohledem.
- ▶ Děti nesmějí bez dozoru dospělých spotřebič čistit, ani provádět činnosti údržby.
- ▶ Spotřebič musí být umístěn tak, aby zástrčka byla přístupná. Pokud do blízkosti spotřebiče uniká svitplyn nebo jiný hořlavý plyn, vypněte ventil unikajícího plynu, otevřete dvířka a okna a neodpojujte napájecí kabel mrazničky ani jiného spotřebiče.
- ▶ Všimněte si, že spotřebič je nastaven pro provoz ve specifickém rozsahu okolního prostředí mezi 10 a 43 °C. Spotřebič nemusí správně fungovat, pokud byl delší dobu ponechán při teplotě vyšší nebo nižší, než je uvedený rozsah.
- ▶ Na mrazničku neukládejte nestabilní předměty (těžké předměty, nádoby naplněné vodou), aby nedošlo ke zranění osob způsobenému jejich pádem nebo úrazem elektrickým proudem po kontaktu s vodou.
- ▶ Neskladujte ani nepoužívejte hořlavé, výbušné nebo korozivní materiály ve spotřebiči nebo v jeho blízkosti.
- ▶ Nezvedejte spotřebič za madla.
- ▶ Při stěhování nikdy neumísťujte spotřebič vodorovně na zem. Před každou operací nejprve odpojte spotřebič od sítě.
- ▶ Nenaklánějte spotřebič o více než 45°, abyste zabránili poškození chladicího systému při stěhování spotřebiče.
- ▶ V případě výpadku napájení nebo před čištěním spotřebič odpojte. Před opětovným spuštěním spotřebiče počkejte nejméně 7 minut, protože časté spouštění může poškodit kompresor.
- ▶ Zkontrolujte stav potravin, pokud došlo ke zvýšení teploty v mrazničce.



VAROVÁNÍ!

- ▶ Netahejte za poličky dvířek. Dvířka mohou být vytažena šikmo, poličky dvířek mohou být vytaženy, nebo se spotřebič může převrátit.
- ▶ Dvířka otevírejte a zavírejte pouze pomocí madel. Mezera mezi dvířky a skříní je velmi úzká. Nevkládejte ruce do těchto oblastí, aby nedošlo k sevření prstů.
- ▶ Dvířka spotřebiče otevírejte nebo zavírejte pouze tehdy, pokud v dosahu pohybu dvířek nejsou žádné děti.
- ▶ Nikdy neuchovávejte balené pivo nebo nápoje v mrazničce, protože během zmrazování prasknou.
- ▶ V tomto spotřebiči neskladujte výbušné látky, jako jsou aerosolové nádoby s hořlavou podpůrnou látkou.
- ▶ Neuchovávejte léky, bakterie nebo chemické látky ve spotřebiči. Tento spotřebič je domácí spotřebič. Nedoporučuje se skladovat materiály, které vyžadují přesně vymezené teploty.
- ▶ V mrazničce nikdy neskladujte tekutiny v lahvích nebo plechovkách (kromě lihovin s vysokým obsahem alkoholu), zejména sycené nápoje, protože během zmrazování prasknou.
- ▶ V mrazničce nenastavujte zbytečně nízkou teplotu. Při vysokých nastaveních může dojít k minusovým teplotám. Pozor! Láhve mohou prasknout. Nedotýkejte se zmrazeného zboží mokřýma rukama (noste rukavice).
- ▶ Zejména nejezte zmrzliny bezprostředně po vyjmutí z oddílu mrazničky. Hrozí nebezpečí zamrznutí nebo tvorby puchýřů. PRVNÍ pomoc: udržujte okamžitě pod tekoucí studenou vodou. Nevytahujte!
- ▶ Během provozu se nedotýkejte vnitřního povrchu mrazicího oddílu, zejména mokřýma rukama, protože vaše ruce mohou přimrznout na povrchu.
- ▶ **VAROVÁNÍ!** Nepoužívejte elektrická zařízení v odkládacích prostorách spotřebiče, pokud nejsou typu doporučeného výrobcem.
- ▶ **VAROVÁNÍ!** Lampy může vyměnit pouze výrobce společně s částí spotřebiče.
- ▶ **VAROVÁNÍ!** Pokud si nejste jisti typem chladiva, zkontrolujte štítek v jednotce. Údržba tohoto spotřebiče je nebezpečná pro jakoukoliv jinou osobu než autorizovaného servisního technika. V Queenslandu musí být autorizovaný servisní technik držitelem povolení k práci s plynem pro uhlovodíková chladiva, aby mohl provádět servis nebo opravy, které zahrnují odstranění krytů.

VAROVÁNÍ!

Údržba/čištění

- ▶ Pokud čištění a údržbu provádějí děti, ujistěte se, že jsou pod dozorem.
- ▶ Před prováděním jakékoli běžné údržby odpojte spotřebič od elektrické sítě.
- ▶ Před opětovným spuštěním spotřebiče počkejte nejméně 7 minut, protože časté spouštění může poškodit kompresor.
- ▶ Při odpojování spotřebiče držte zástrčku, nikoli kabel.
- ▶ Nečistěte spotřebič tvrdými kartáči, drátěnými kartáči, čisticími prášky, organickými roztoky jako například benzínem, amylacetátem, acetonem a podobně, kyselými nebo alkalickými roztoky. Čištění provádějte pomocí speciálního mycího prostředku na mrazničky, aby se předešlo poškození.
- ▶ Neseškrabávejte námrazu a led ostrými předměty. Nepoužívejte spreje, elektrické ohřívače, jako je topení, vysoušeč vlasů, parní čističe ani jiné zdroje tepla, aby nedošlo k poškození plastových dílů.
- ▶ **VAROVÁNÍ!** Nepoužívejte mechanické nástroje nebo jiné prostředky k urychlení procesu odmrazování, pokud nejsou doporučeny výrobcem.
- ▶ Jestliže je poškozený napájecí kabel, smí ho vyměnit pouze výrobce, servisní technik nebo osoba s podobnou příslušnou kvalifikací, jinak by mohlo dojít k úrazu.
- ▶ Nepokoušejte se spotřebič opravovat, rozebírat ani upravovat sami. V případě, že je nutná oprava, obraťte se na náš zákaznický servis.
- ▶ Alespoň jednou za rok odstraňte prach na zadní straně jednotky, aby se předešlo nebezpečí požáru a zvýšené spotřebě energie.
- ▶ Spotřebič během čištění nepostříkujte ani nevyplachujte.
- ▶ Při čištění spotřebiče nepoužívejte vodní sprej ani páru.
- ▶ Studené skleněné police ani skleněné dvířka nečistěte horkou vodou. Náhlá změna teploty může způsobit rozbití skla.
- ▶ Před čištěním spotřebič odpojte od napájecího zdroje.
- ▶ V případě zahřívání zkontrolujte stav zmrazeného zboží.
- ▶ Před údržbou spotřebič deaktivujte a odpojte síťovou zástrčku od síťové zásuvky.
- ▶ Elektrická zařízení by měla být servisována pouze kvalifikovanými elektrotechnickými odborníky, protože nesprávné opravy mohou způsobit značné následné škody.

Informace o chladicím plynu

VAROVÁNÍ!

Údržba/čištění

Spotřebič obsahuje hořlavé chladivo ISOBUTAN (R600a). Ujistěte se, že během přepravy nebo instalace nedošlo k poškození chladicího okruhu. Únik chladiva může způsobit poranění očí nebo vznícení. Pokud dojde k poškození, držte se dále od otevřeného ohně, důkladně větrejte místnost, nezapojujte ani neodpojujte napájecí kabely spotřebiče nebo jiného spotřebiče. Informujte zákaznický servis.

V případě kontaktu očí s chladivem jej okamžitě vypláchněte pod tekoucí vodou a zavolejte očního lékaře.

VAROVÁNÍ! Chladicí systém je pod vysokým tlakem. Do spotřebiče nikdy nezasahujte. Vzhledem k tomu, že spotřebič používá hořlavá chladiva, provádějte instalaci, manipulaci a servis přísně v souladu s návodem a v případě likvidace spotřebiče se obraťte na odborníka nebo na náš poprodejní servis.

VAROVÁNÍ!

- ▶ Dbejte opatrnosti, aby zapálením hořlavého materiálu nedošlo k požáru.
- ▶ **VAROVÁNÍ!** Při umísťování spotřebiče se ujistěte, že nedošlo k zachycení ani poškození napájecího kabelu.
- ▶ **VAROVÁNÍ!** V zadní části spotřebiče neumísťujte vícenásobné přenosné prodlužovací zásuvky ani přenosné napájecí zdroje.
- ▶ V tomto spotřebiči neskladujte výbušné látky, jako jsou aerosolové nádoby s hořlavou podpůrnou látkou.
- ▶ Pokud se v mrazničce používají hořlavá chladiva, buďte při instalaci, manipulaci, podávání a recyklaci spotřebiče opatrní.
- ▶ Pro likvidaci spotřebiče kontaktujte servisního zástupce, protože byl použit hořlavý ventilační plyn.

Zamýšlené použití

Spotřebič je určen k použití v domácnosti a v podobných prostředích, například

- v kuchyňských prostorách pro zaměstnance v obchodech, kancelářích a jiných pracovních prostředích;
- v zemědělských domech a místnostech klientů v hotelech, motelech a jiných obytných prostředích;
- v prostředích pro nocleh se snídaní;
- ve stravovacích a podobných zařízeních mimo maloobchod.

► Pokud spotřebič není používán delší dobu.

- Vyndejte jídlo.
- Odpojte napájecí kabel.
- Vyčistěte spotřebič, jak je popsáno výše.
- Ponechejte dvířka otevřená, abyste zabránili vytváření nepříjemných pachů uvnitř.

► Dodržujte prosím tento návod k použití, aby se zajistilo bezpečné uchování potravin.

► V následující části jsou uvedeny podrobnosti o nejvhodnějším oddílu v prostoru spotřebiče, kde by se měly skladovat určité druhy potravin, s přihlédnutím k možnému rozložení teplot v různých oddílech spotřebiče, jsou uvedeny v další části návodu k obsluze.

► Dodržujte prosím následující pokyny, aby se zabránilo kontaminaci potravin:

- Otevírání dvířek na dlouhou dobu může v oddílech spotřebiče způsobit výrazné zvýšení teploty.
- Pravidelně čistěte povrchy, které mohou přijít do styku s potravinami, a přístupné odvodňovací systémy.
- Uchovávejte nádoby v mrazničce tak, aby nepřicházely do kontaktu s jinými potravinami nebo aby z nich nekapalo na jiné potraviny.
- Dvuhvězdičkové oddíly pro zmrazené potraviny jsou vhodné pro skladování předem zmrazených potravin, skladování nebo výrobu zmrzliny a výrobu kostek ledu.

- Jednohvězdičkové, dvouhvězdičkové a tříhvězdičkové prostory nejsou vhodné pro zmrazování čerstvých potravin.
- Pokud je chladicí spotřebič po delší dobu ponechán prázdný, vypněte jej, odmrazte, vyčistěte, vysušte a nechte dvířka otevřená, aby se zabránilo tvorbě plísní uvnitř spotřebiče.

Likvidace



— Symbol na obalu a jeho balení udává, že tento výrobek nepatří do domácího odpadu. Místo toho je nutné jej odvézt do příslušného sběrného místa pro recyklaci elektrického a elektronického zařízení. Zajištěním správné likvidace tohoto výrobku pomůžete zabránit případným negativním důsledkům na životní prostředí a lidské zdraví, k nimž by jinak došlo nevhodnou likvidací tohoto výrobku. Podrobnější informace o recyklaci tohoto výrobku získáte na místním obecním úřadu, středisku pro likvidaci domovního odpadu nebo v obchodě, kde jste tento výrobek zakoupili.

Vzhledem k tomu, že spotřebič používá hořlavé izolační ventilační plyny, v případě likvidace spotřebiče se obraťte na odborníka nebo na náš poprodejní servis.

VAROVÁNÍ!

Nebezpečí udušení!

Chladiva a plyny musí být odborně zlikvidovány. Před řádnou likvidací se ujistěte, že hadička chladicího okruhu není poškozena. Odpojte spotřebič od elektrické sítě. Odřízněte síťový kabel a zlikvidujte jej. Vyměňte zásobníky a zásuvky, jakož i západku dvířek a těsnění, abyste zabránili zavření dětí a domácích zvířat ve spotřebiči.

2.1 Určené použití

Spotřebič je určen k použití v domácnosti a v podobných prostředích, například

- v kuchyňských prostorách pro zaměstnance v obchodech, kancelářích a jiných pracovních prostředích;
- v zemědělských domech a místnostech klientů v hotelech, motelech a jiných obytných prostředích;
- v prostředích pro nocleh se snídaní;
- ve stravovacích a podobných zařízeních mimo maloobchod.

Tento spotřebič je určen k mražení potravin. Byl navržen výhradně pro použití v suchých vnitřních domácnostech. Není určen pro komerční nebo průmyslové použití.

Změna nebo úprava zařízení není povolena. Nezamýšlené použití může způsobit nebezpečí a ztrátu práv na reklamace ze záruky.

2.2 Příslušenství

Zkontrolujte příslušenství a literaturu podle tohoto seznamu:

2.2

| | | |
|---|---|--|
|  |  |  |
| Energetický štítek | Záruční list | Návod k obsluze |
|  |  |  |
| Otoční vyráběč ledu | Horní levý koncový kryt lišty | Horní pravý pant pro obrácení dvířek |
| | |  |
| | |  |
| | | Kryty os |
| | |  |
| | | Kryt horního pravého pantu |



Poznámka: Rozdí

Kvůli technickým změnám a různým modelům se některé ilustrace v tomto návodu mohou lišit od vašeho modelu.



- | | | | |
|---|--------------------------|---|-----------------------------------|
| 1 | LED kontrolka | 6 | Nastavitelné police dvířek |
| 2 | Kryt vzduchového potrubí | 7 | Výkonový štítek |
| 3 | Skleněné police | 8 | Klika |
| 4 | Mrazicí úložné zásobníky | 9 | Výrobník ledu na otočném principu |
| 5 | Seřiditelné nožičky | | |

Poznámka: Tento výrobek obsahuje světelný zdroj s třídou energetické účinnosti <G>.

4.1 Před prvním použitím

- ▶ Odstraňte všechny obalové materiály, uchovávejte je mimo dosah dětí a zlikvidujte je způsobem šetrným k životnímu prostředí.
- ▶ Před vložením potravin do spotřebiče vyčistěte vnitřek i vnějšek spotřebiče vodou a jemným čisticím prostředkem.
- ▶ Po vyrovnání a vyčištění spotřebiče počkejte nejméně 2 hodiny, než jej připojíte ke zdroji napájení. Viz pokyny v části INSTALACE.
- ▶ Před vložením potravin předchladte oddíl 2 hodiny při vysokém nastavení. Funkce Super mrazení pomáhá rychle ochladit oddíl.



Různé potraviny by měly být umístěny v různých oblastech podle jejich vlastností (obr. 4.1).

Mrazicí box se doporučuje skladovat maso, ryby, pizzu a jiné zmrazené potraviny.

Potraviny mohou být skladovány v mrazničce při teplotě nejméně -18°C po dobu 2 až 12 měsíců v závislosti na jejich vlastnostech (např. maso: 3–12 měsíců, zelenina: 6–12 měsíců).

Aby nedocházelo k uplynutí doby skladování, poznamenejte na obalu datum zmrazení, lhůtu a název potraviny podle doby skladování různých potravin.

4.2 Zapnutí/vypnutí spotřebiče

Spotřebič je v provozu ihned po připojení ke zdroji napájení.

- ▶ Teplota mrazničky se automaticky nastaví na -18°C . Toto je doporučené nastavení a ideální teplota pro mražené zboží. V případě potřeby můžete teplotu ručně změnit. Viz NASTAVENÍ TEPLoty.



Poznámka: Předvolená nastavení

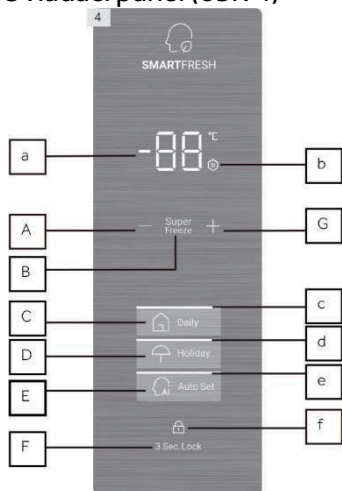
1. Spotřebič je nastaven na doporučenou teplotu -18°C . Za normálních okolních podmínek nemusíte měnit teplotu.
2. Pokud je spotřebič po odpojení od hlavního napájecího zdroje zapnut, může trvat až 12 hodin, než bude dosažena správná teplota.

Před vypnutím spotřebiče jej vyprázdněte. Chcete-li spotřebič vypnout, vytáhněte napájecí kabel ze zásuvky.

4.2 Zapnutí/vypnutí spotřebiče

Po zavření dveří se obrazovka displeje automaticky vypne po 30 vteřinách bez provedení akce. Displej se automaticky uzamkne. Automaticky se rozsvítí při stisknutí libovolného tlačítka nebo otevření dveří.

4.4 Ovládací panel (obr. 4)



Popis ikon

- a: Symbol zobrazení teploty
- b: Ikona Super mrazení
- c: Ikona denní funkce
- d: Ikona Dovolená
- e: Ikona Automatické nastavení
- f: Ikona zámku

Popis tlačítek

- A: Tlačítko nastavení snížení teploty: Stiskněte pro snížení teploty
- B: Tlačítko Super mrazení: Stisknutím aktivujete funkci Super mrazení
- C: Tlačítko denní funkce: Stisknutím aktivujete denní funkce
- D: Tlačítko Dovolená: Stiskněte pro aktivace funkce Dovolená
- E: Tlačítko Automatické nastavení: Stisknutím aktivujete funkci Automatické nastavení
- F: Tlačítko Zámek: Stisknutím a podržením na 3 sekundy uzamknete nebo odemknete
- G: Tlačítko nastavení zvýšení teploty: Stiskněte pro zvýšení teploty

4.5 Uzamčení a odemknutí displeje

Automatické uzamknutí

Ovládací panel může automaticky vstoupit do funkce uzamčení. Displej se automaticky uzamkne po 30 sekundách bez provedení akce.

Ruční uzamknutí

Po odemčení displeje stiskněte tlačítko „Zámek“ (F) a podržte jej 3 sekundy po pípnutí, ikona „Zámek“ (f) svítí, displej je uzamčen. Je-li displej uzamčen, stiskněte tlačítko „Zámek“ (F) a podržte jej 3 sekundy, po pípnutí se ikona „Zámek“ (f) vypne a displej se odemkne.

i Poznámka: Uzamčení displeje

Je-li displej uzamčen, funkce, jako je nastavení teploty nebo nastavení funkce, jsou zakázány. Při pokusu o výše uvedenou operaci ikona „Zámek“ (f) 3krát blikne, aby připomněla, že displej je uzamčený.

4.6 Nastavení teploty

Rozsah teplot této mrazničky lze nastavit v rozmezí $-14\text{ °C} \sim -24\text{ °C}$.

Je-li displej odemčen, při aktivní denní funkci stiskněte tlačítko „Nastavení snížení teploty“ (A), po pípnutí začne blikat ikona „Zobrazení teploty“ (a) a přejde do režimu nastavení teploty. Pokaždé, když stisknete tlačítko „Snížování teploty“ (A), zazní bzučák a teplota se sníží o 1 °C a nejnižší hodnota je -24 °C . Po nastavení teploty se určí nastavená hodnota teploty a přestane blikat po 5 sekundách bez provedení operace.

Po odemčení displeje při aktivní denní funkci stiskněte tlačítko „Nastavení zvýšení teploty“ (G), po pípnutí začne blikat ikona „Zobrazení teploty“ (a) a přejde do režimu nastavení teploty a každé, když stisknete tlačítko „Zvýšení nastavení teploty“ (G), zazní bzučák, teplota se zvýší o 1 °C až na -14 °C . Po nastavení teploty se určí nastavená hodnota teploty a ikona (a) přestane blikat po 5 sekundách bez provedení akce.

4.7 Denní funkce (C)

Jakmile je spotřebič poprvé připojen k napájecímu zdroji, je v denní funkci a rozsvítí se ikona „Denní“ (c). Teplotu lze nastavit pouze za této funkce.

4.8 Funkce Super mrazení (B)

Režim Super mrazení je optimální pro zachování výživy potravin, může zmrazit potraviny za kratší dobu. Před vložením velkého množství potravin do mrazničky aktivujte funkci Super mrazení, abyste měli nižší teplotu a zajistili lepší výsledek zmrazení.

Je-li displej odemčen, stisknutím tlačítka „Super mrazení“ (B) se rozsvítí ikona Super mrazení (b) a mraznička pracuje v režimu Super mrazení. Chcete-li ukončit funkci Super mrazení, ručně opakujte výše uvedené kroky. V opačném případě se funkce automaticky ukončí po 50 hodinách.

Pokud máte najednou velké množství potravin k zmrazení, doporučuje se tuto funkci aktivovat 24 hodin před vložením potravin. Funkce se automaticky zastaví po 50 hodinách nebo po ručním zásahu. Při zapnutí funkce se spotřeba energie zvýší.

V režimu Super mrazení se provozní teplota mrazničky liší v závislosti na množství potravin a okolních podmínkách. Teplota uvnitř mrazicího oddílu by mohla potenciálně klesnout na -37 °C .



Poznámka: Super mrazení

1. V režimu Super mrazení nelze nastavit teplotu. Pokud tak učiníte, ikona Super mrazení 3krát blikne, aby vám připomněla, že mraznička je v režimu Super mrazení.
2. Je-li v režimu Super mrazení nastavena funkce Automatické nastavení nebo Dovolena, ikona Super mrazení (b) se vypne, funkce Super zmrazení se automaticky ukončí a zapne se Automatické nastavení nebo Dovolena.

4.9 Funkce Dovolená (D)

Je-li displej odemčen, stisknutím tlačítka „Dovolená“ (D) se rozsvítí ikona Dovolená (d) a mraznička pracuje ve funkci Dovolená. V režimu Dovolená se stisknutím tlačítka „Dovolená“ (D) ikona Dovolená (d) vypne a mraznička ukončí funkci Dovolená. V režimu Dovolená, pokud je teplota před vstupem do režimu Dovolená vyšší než -18 °C, pak po vstupu do funkce Dovolená se teplota automaticky nastaví na -18 °C. Pokud je teplota před vstupem do režimu Dovolená nižší než -18 °C, pak po vstupu do funkce Dovolená se teplota nezmění.

i Poznámka: Funkce Dovolená

1. V režimu Dovolená nelze upravit teplotu. Pokud tak učiníte, ikona Dovolená 3krát blikne, aby vám připomněla, že mraznička je v režimu Dovolená.
2. V režimu Dovolená, pokud je nastavena funkce Automatické nastavení, Denní nebo Super mrazení, se ikona Dovolená (d) vypne, funkce Dovolená se automaticky ukončí a přejde do funkce Automatické nastavení, Denní nebo Super mrazení.

4.10 Funkce Automatické nastavení (E)

Je-li displej odemčen, stisknutím tlačítka „Automatické nastavení“ (E) se rozsvítí ikona „Automatické nastavení“ (e), mraznička pracuje ve funkci Automatické nastavení. V režimu automatického nastavení se stisknutím tlačítka „Automatické nastavení“ (E) ikona (e) vypne a mraznička opustí funkci Automatického nastavení.

V rámci funkce Automatické nastavení pracuje mraznička při teplotě -18 °C.

i Poznámka: Funkce Automatické nastavení

1. V režimu Automatické nastavení nelze upravit teplotu. Pokud tak učiníte, ikona Automatické nastavení 3krát blikne, aby připomněla, že mraznička je v režimu Automatické nastavení.
2. Je-li v režimu Automatické nastavení nastavena funkce Dovolená, Denní nebo Super mrazení, ikona Automatické nastavení (e) se vypne a funkce Automatické nastavení se automaticky ukončí a přejde do funkce Dovolená, Denní nebo Super mrazení.

4.11 Funkce ovládání displeje

Po zavření dvířek se obrazovka displeje automaticky vypne po 30 vteřinách bez provedení akce. Displej se automaticky uzamkne. Automaticky se rozsvítí, když se dotknete jakéhokoli tlačítka nebo otevřete dvířka.

4.12 Paměť pro výpadek napájení

Tato mraznička má paměť pro výpadek napájení, nastavení před vypnutím se uloží v paměti. Když se napájení obnoví, mraznička se vrátí do nastavení před vypnutím a bude nadále fungovat. Zámek není uložen v paměti, po opětovném zapnutí napájení je displej odemčen.

4.13 Alarm otevřených dvířek

Pokud zůstane mraznička otevřená déle než 1 minutu, bzučák vydá 3 pípnutí v intervalu 0,5 sekundy. Pípnutí se opakuje každých 30 sekund, pokud zůstanou dvířka otevřená. Pípnutí přestane po zavření dvířek nebo po 7 minutách od otevření dvířek. Bzučák přestane pípat a osvětlení mrazničky zhasne.

4.14 Alarm vysoké teploty

Tato mraznička je vybavena alarmem vysoké teploty. Pokud v režimu zmrazení nebo Super mrazení symbol zobrazení teploty zobrazuje „HH“ s pípnutím, stisknutím libovolného tlačítka se pípnutí zastaví, ale symbol zobrazení teploty stále bliká, což znamená, že teplota v mrazničce je příliš vysoká. Zkontrolujte, zda jsou dvířka pevně zavřená nebo zda není do mrazničky vloženo velké množství teplého jídla. Po uplynutí určité doby symbol zobrazení teploty přestane blikat. Pokud po dlouhou dobu nepřestane blikat „HH“ a znovu zazní pípnutí, které bylo ručně zrušeno, kontaktujte poprodejní servis.

4.15 Indikace chyby

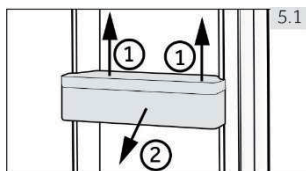
Když symbol displeje zobrazuje E1, E2 a další kódy a bliká, znamená to, že mraznička má poruchu. V této situaci by mraznička stále mohla zmrazit potraviny, ale uživatel by měl co nejdříve kontaktovat servis pro optimální ovládání mrazničky.



4.16 Tipy na úsporu energie

- ▶ Ujistěte se, že je spotřebič řádně větrán (viz INSTALACE).
- ▶ Spotřebič neinstalujte na přímé sluneční světlo nebo v blízkosti zdrojů tepla (např. kamna, topná tělesa).
- ▶ Vyvarujte se zbytečně nízké teplotě ve spotřebiči. Spotřeba energie se zvyšuje, čím nižší je ve spotřebiči teplota nastavena.
- ▶ Před vložením do spotřebiče nechte teplé potraviny vychladnout.
- ▶ Dvířka spotřebiče otevřete co nejméně a co nejkratší.
- ▶ Ujistěte se, že se dvířka vždy zavírají správně a bez ovlivnění polohou potravin.
- ▶ Těsnění dvířek udržujte v čistotě.
- ▶ Zmrazené potraviny rozmrazujte v chladnici.
- ▶ Pravidelně čistěte zadní část spotřebiče. Prach zvyšuje spotřebu energie.
- ▶ Energeticky nejúspěšnější konfigurace vyžaduje, aby byly zásuvky, boxy na potraviny a police spotřebiče v bezchybném stavu. Potraviny by měly být co nejdále, aniž by bylo zablokováno výstup vzduchu z potrubí.

5 – Vybavení

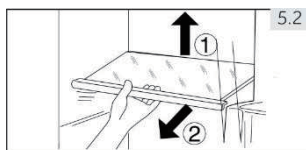


5.1 Vyjímatelné police dvířek

Police dvířek lze vyjmout za účelem čištění.

Položte ruce na každou stranu police, zvedněte ji nahoru (1) a vytáhněte (2) (obr. 5.1).

Pro zasunutí police dvířek se výše uvedené kroky provádějí v opačném pořadí.



5.2 Skleněné police

1. Chcete-li polici vybrat, vyjměte ji nejprve zvednutím zadního okraje (1) a vytažením (2) (obr. 5.2).
2. Chcete-li ji znovu nainstalovat, položte ji na výstupky na obou stranách a zatlačte ji do nejméně vhodné polohy, dokud nebude zadní část police upevněna v otvorech po stranách.

6.1 Obecné informace

Spotřebič vyčistěte, pokud skladujete jen málo potravin nebo žádné potraviny, a poté jej odpojte.

- ▶ Vždy udržujte těsnění dvířek čisté.
- ▶ Vnitřní část a plášť spotřebiče očistěte houbou navlhčenou v teplé vodě s neutrálním čisticím prostředkem.



1. Vnitřní i vnější část mrazničky, včetně těsnění dvířek, stojanu na dvířka, skleněných polic, přihrádek atd., otřete měkkou utěrkou nebo houbou namočenou v teplé vodě (do teplé vody můžete přidat neutrální čisticí prostředek).
2. Pokud dojde k rozlití kapaliny, odstraňte všechny kontaminované části, přímo je opláchněte tekoucí vodou, osušte a vložte je zpět do mrazničky.
3. Pokud dojde k rozlití smetany (jako je smetana, tající zmrzlina), vyjměte všechny kontaminované části, vložte je na nějakou dobu do teplé vody o teplotě přibližně 40 °C, poté je opláchněte tekoucí vodou, osušte a vložte zpět do mrazničky.
4. V případě, že se uvnitř mrazničky zasekne nějaká malá část nebo komponent (mezi policemi nebo úložnými zásobníky), použijte malý měkký kartáček, abyste ji uvolnili. Pokud jste se k součásti nedostali, obraťte se prosím na servis Haier.

6.2 Vypnutí na delší dobu

Pokud spotřebič není používán delší dobu:

- Vyndejte jídlo.
- Odpojte napájecí kabel.
- Vyčistěte spotřebič, jak je popsáno výše.
- Ponechejte dvířka a úložné zásobníky mrazničky otevřené, abyste zabránili vytváření nepříjemných pachů uvnitř.

Demontujte dvířka spotřebiče (otevřete dvířka a podržte je před vyjmutím šroubů), aby se zabránilo vstupu dětí do spotřebiče a jejich uzamčení.



Poznámka: Vypnutí

Aby byla zajištěna životnost spotřebiče, vypínejte jej, pouze pokud je to nezbytně nutné.

6.3 Přesun spotřebiče

1. Vyjměte ze spotřebiče veškeré potraviny a odpojte jej.
2. Zajistěte poličky a další pohyblivé části v mrazničce lepicí páskou.
3. Zavřete dvířka a zajistěte je páskou.
4. Nenakloňte mrazničku o více než 45°, aby nedošlo k poškození chladicího systému.
5. Obalte nožičky mrazničky, aby nedošlo k poškrábání podlahy. Nikdy nepřesouvejte mrazničku násilně.

Mnoho vyskytujících se problémů můžete vyřešit sami bez konkrétních odborných znalostí. V případě problému zkontrolujte prosím všechny zobrazené možnosti a před kontaktováním poprodejního servisu postupujte podle níže uvedených pokynů.

Akustický alarm lze vypnout stisknutím libovolného tlačítka.

7.1 Řešení problémů

| Problém | Možná příčina | Možné řešení |
|--|--|--|
| Kompresor nefunguje. | <ul style="list-style-type: none"> V síťové zásuvce není připojena síťová zástrčka. | <ul style="list-style-type: none"> Připojte síťovou zástrčku. |
| Spotřebič běží často nebo příliš dlouhou dobu. | <ul style="list-style-type: none"> Vnitřní nebo venkovní teplota je příliš vysoká. Spotřebič je po určitou dobu vypnutý. Dvířka spotřebiče nejsou těsně uzavřena. Dvířka byla otevřena příliš často nebo na příliš dlouhou dobu. Nastavení teploty je příliš nízké. Těsnění dvířek je špinavé, opotřebené, prasklé nebo mimo polohy. Požadovaná cirkulace vzduchu není zaručena. Interiér je pokryt ledem. | <ul style="list-style-type: none"> V tomto případě je běžné, aby spotřebič pracoval déle. Obvykle trvá 8 až 12 hodin, než se spotřebič zcela zchladí. Zavřete dvířka a ujistěte se, že je spotřebič umístěn na rovné zemi a že na dvířkách nejsou žádné potraviny ani nádoby. Neotvírejte dvířka příliš často. Nastavte vyšší teplotu, dokud nedosáhnete uspokojivé teploty. Trvá 24 hodin, než se teplota ustálí. Vyčistěte těsnění dvířek nebo jej nechte vyměnit u zákaznického servisu. Zajistěte dostatečnou ventilaci. Rozmraze spotřebič. |
| Spotřebič vydává abnormální zvuky. | <ul style="list-style-type: none"> Spotřebič není položen na rovném povrchu. Spotřebič se dotýká předmětu v jeho blízkosti. Spotřebič stojí na dřevěné podlaze nebo v blízkosti dřevěných stěn. | <ul style="list-style-type: none"> Vyrovnejte spotřebič. Odstraňte předměty kolem spotřebiče. Dřevo zesiluje zvuk. Postavte spotřebič na jiné místo. |
| Spotřebič vydává zvuk cvakání | <ul style="list-style-type: none"> To je běžné. Je způsobeno zapínáním nebo vypínáním chladicích jednotky. | <ul style="list-style-type: none"> |
| Je třeba slyšet slabý zvuk podobný zvuku tekoucí vody. | <ul style="list-style-type: none"> To je běžné. | <ul style="list-style-type: none"> |

| Problém | Možná příčina | Možné řešení |
|---|---|---|
| Spotřebič vydává zvuk motoru. | <ul style="list-style-type: none"> Chlazení se právě samo zapnulo. To je normální. | <ul style="list-style-type: none"> |
| V spotřebiči není dostatečný chlad. | <ul style="list-style-type: none"> Teplota je nastavena příliš vysoko. Bylo uloženo příliš mnoho potravin najednou. Bylo uskladněno zboží, které je příliš teplé. Zboží je příliš blízko sebe. Dvířka nejsou těsně zavřená. Dvířka byla otevírána příliš často nebo na příliš dlouhou dobu. | <ul style="list-style-type: none"> Resetujte teplotu. Před uskladněním zboží vždy ochlaďte. Vždy skladujte malé množství potravin. Ponechte mezeru mezi několika potravinami umožňující proudění vzduchu. Zavřete dvířka. Neotvírejte dvířka příliš často. |
| V spotřebiči je příliš chladno. | <ul style="list-style-type: none"> Teplota je nastavena příliš nízko. Funkce Super mrazení je aktivována nebo běží příliš dlouho. | <ul style="list-style-type: none"> Resetujte teplotu. Funkce Super mrazení. |
| Na povrchu spotřebiče se hromadí vlhkost. | <ul style="list-style-type: none"> Klima je příliš teplé a vlhké. | <ul style="list-style-type: none"> To je běžné ve vlhkém podnebí a změní se to, když vlhkost klesne. Utřete ji hadříkem. |
| Silný led a námraza v oddílu mrazničky. | <ul style="list-style-type: none"> Zboží nebylo dostatečně zabaleno. Dvířka nejsou těsně zavřená. Dvířka byla otevírána příliš často nebo na příliš dlouhou dobu. Těsnění dvířek je špinavé, opotřebené, prasklé nebo mimo polohy. Něco uvnitř brání správnému zavření dvířek. | <ul style="list-style-type: none"> Vždy dobře zabalte zboží. Zavřete dvířka. Neotvírejte dvířka příliš často. Vyčistěte těsnění dvířek nebo jej nechte vyměnit u zákaznického servisu. Umístěte regály, stojany na dvířka nebo vnitřní nádoby tak, aby se dvířka mohla zavřít. |
| Chladicí systém nefunguje. | <ul style="list-style-type: none"> Sítová zástrčka není připojena k síťové zásuvce. Napájení je poškozené. | <ul style="list-style-type: none"> Připojte síťovou zástrčku. Zkontrolujte napájení místnosti. Zavolejte místnímu dodavateli elektrické energie! |
| Boky skříně a lišty dvířek se zahřívají. | <ul style="list-style-type: none"> To je běžné. | <ul style="list-style-type: none"> |
| Slyšíte signál alarmu. | <ul style="list-style-type: none"> Dvířka jsou otevřená. Teplota uvnitř spotřebiče je příliš vysoká. | <ul style="list-style-type: none"> Zavřete dvířka nebo ručně ztište alarm. |

| Problém | Možná příčina | Možné řešení |
|---|---|---|
| Dvířka se těžko otevírají | <ul style="list-style-type: none"> • Iakmile spotřebič běží, uvnitř se vytvoří podtlak. | <ul style="list-style-type: none"> • Opatrně odchyte těsnění dvířek aby se do spotřebiče dosta vzduch. |
| Dvířka nemohou být správně zavřená. Vždy po tom zůstane mezera. | <ul style="list-style-type: none"> • Vzhledem k nízké teplotě spotřebičů může těsnění dvířek snadno ztvrdnout a zdeformovat. | <ul style="list-style-type: none"> • Použijte fén na vlasy nebo položte horký ručník na místo, kde je těsnění zdeformované. • Jakmile je těsnění opět měkké, zavřete dvířka a pevně je přitlačte. |

7.2 Přerušeni napájení

V případě výpadku proudu by potraviny měly zůstat bezpečně studené po dobu přibližně 15 hodin. Při dlouhodobém výpadku proudu postupujte podle těchto rad, zejména v létě:

- ▶ Otevírejte dvířka co nejméně.
- ▶ Během přerušeni napájení nedávejte do mrazničky další potraviny.
- ▶ Pokud je předem oznámeno přerušeni napájení a doba trvání přerušeni je delší než 15 hodin, vytvořte led a vložte jej do nádoby v horním oddílu mrazničky.
- ▶ Vzhledem k tomu, že teplota v mrazničce při přerušeni napájení nebo jiném výpadku vzroste, zkrátí se doba skladování a jedlá kvalita potravin. Veškeré potraviny, které rozmrazujete, by měly být buď zkonsumovány, nebo uvařeny a brzy poté znovu zmrazeny (je-li to vhodné), aby se předešlo zdravotním rizikům.

i Poznámka: Funkce paměti při výpadku napájení

Po obnovení napájení spotřebič pokračuje s nastaveními, která byla nastavena před výpadkem napájení.

7.3 Parametry a náhrada LED svítidla

Parametr LED svítidla: 12V, 6W

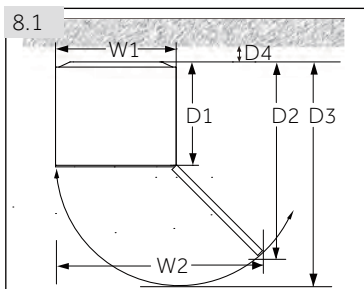
Jedná se o LED lampu, která má nízkou spotřebu energie a dlouhou životnost. Pokud dojde k nějaké abnormalitě, prosím, nerozzebírejte se sám. Obratě se prosím na post-prodejní personál pro pokojovou službu.

8.1 Vybalení

- ▶ Vyjměte spotřebič z obalu.
- ▶ Odstraňte všechny obalové materiály.

8.2 Okolní podmínky

Teplota v místnosti by měla být vždy mezi 18 °C a 43 °C, protože může ovlivnit teplotu uvnitř spotřebiče a jeho spotřebu energie. Spotřebič neinstalujte bez izolace v blízkosti jiných spotřebičů vyzařujících teplo (trouby, chladničky).

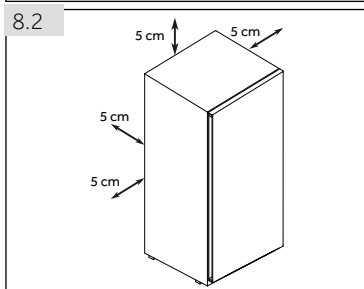


8.3 Požadavky na prostor

Požadovaný prostor pro otevření dvířek (obr. 8.1):

| Šířka v mm | | Hloubka v mm | | | Vzdálenost od stěny v mm |
|------------|------|--------------|------|------|--------------------------|
| W1 | W2 | D1 | D2 | D3 | D4 |
| 705 | 1076 | 603 | 1243 | 1327 | 50 |

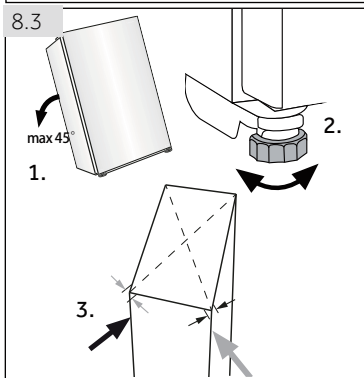
Pro volně stojící zařízení: tento chladicí spotřebič není určen k použití jako vestavěný spotřebič.



8.4 Průřezové míry pro větrání

Aby bylo z bezpečnostních důvodů dosaženo dostatečné větrání spotřebiče, musí být dodrženy informace o požadovaných průřezových mírách pro větrání (obr. 8.2).

PRO volně stojící spotřebič: tento chladicí spotřebič není určen k použití jako vestavěný spotřebič.



8.5 Nastavení spotřebiče do roviny

Spotřebič by měl být umístěn na rovném a pevném povrchu. Pokud je spotřebič umístěn na podstavci, musí být použity silné a ohnivzdorné materiály. Nikdy nepoužívejte jako podstavec pěnový obalový materiál.

1. Spotřebič mírně nakloňte dozadu (obr. 8.3).
2. Nastavte nožičky na požadovanou úroveň.
3. Stabilitu lze kontrolovat střídavým nárazem na úhlopříčky. Mírné kývání by mělo být stejné v obou směrech. V opačném případě se rám může deformovat; výsledkem může být případný únik přes těsnění dvířek. Mírné naklonění k zadní straně usnadňuje zavírání dvířek.

8.6 Použití seřiditelných nožiček

Pokud je mraznička nestabilní, lze nastavit nožičky. Seřiditelné nožičky otáčejte podle směru šipky (obr. 8.4), abyste je otočili nahoru nebo dolů:

- ▶ Otáčením nožiček ve směru hodinových ručiček spotřebič zvednete.
- ▶ Otáčením nožiček proti směru hodinových ručiček je snížíte.

8.7 Čekací doba

Bezúdržbový mazací olej je umístěn v kapsli kompresoru. Tento olej může vytéct do uzavřeného potrubního systému během přepravy v šikmé poloze. Před připojením spotřebiče k napájecímu zdroji musíte počkat 2 hodiny (obr. 8.5), aby olej stékal zpět do kapsle.

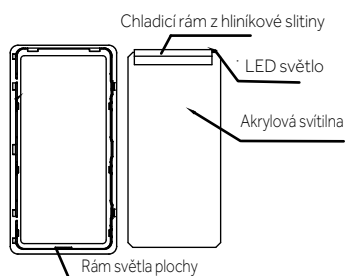
8.8 Elektrické připojení

Před každým připojením zkontrolujte, zda:

- ▶ zásuvka napájení a pojistky odpovídají jmenovitému štítku,
- ▶ napájecí zásuvka je uzemněna a není v ní žádný adaptér a prodlužovací kabel s více zásuvkami,
- ▶ zástrčka a zásuvka jsou přesně podle standardů.

Připojte zástrčku do správně nainstalované zásuvky pro domácnost.

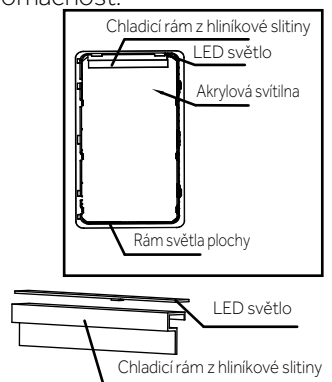
8.9 Diagram zdroje světla v oblasti



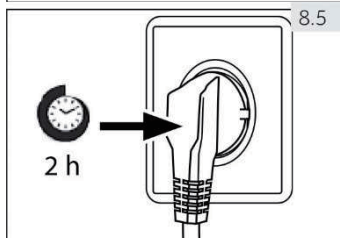
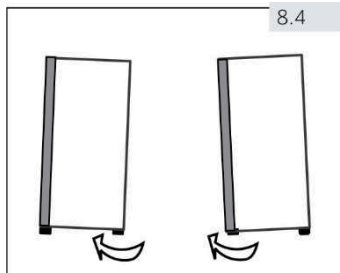
Stiskněte přezku, aby se rozdělil světelný rám prostoru a zdroj světla prostoru



Odstraňte hliníkovou fólii na obou stranách chladicího rámu z hliníkové slitiny a chladicí rám z hliníkové slitiny může být odstraněn

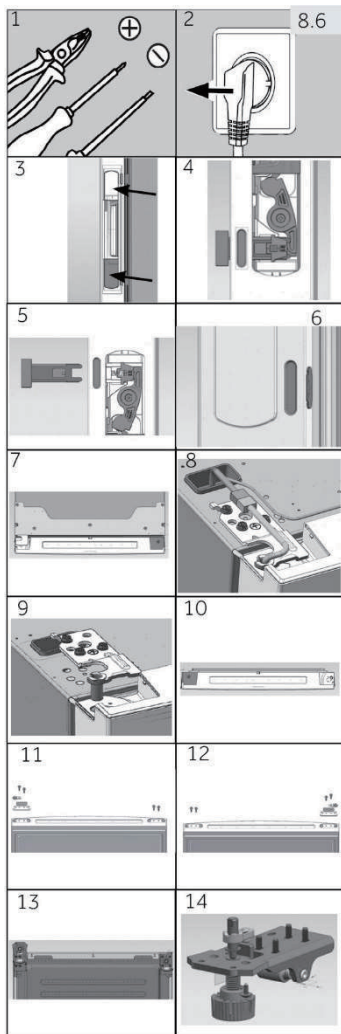


Rozdělit chladicí rám z LED lehkých a hliníkových slitin (oboustranné lepicí spojení)



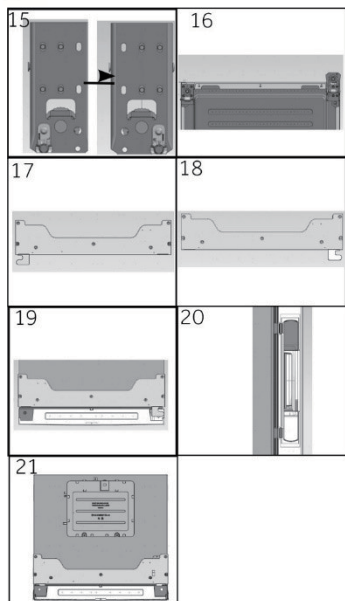
8.10 Obrácení dvířek

Před připojením spotřebiče k napájecímu zdroji byste měli zkontrolovat, zda se směr otevírání dvířek musí měnit zleva (jak je dodáván) doprava, pokud to vyžaduje místo instalace a použitelnost.



8.10 Obrácení dvířek

1. Připravte si potřebné nástroje.
2. Odpojte spotřebič.
3. Otevřete horní a spodní kryt rukojeti na pravé straně dvířek.
4. Bílý unášec mírně vypačte.
5. Vyjměte 2 tlačné tyče a nasadte zpět kryt rukojeti.
6. Odstraňte 2 gumové zátky na levé straně dvířek a vložte je k odstraněným tlačným tyčím pro krok 20.
7. Odstraňte 7 šroubů a kryt závěsu. Dávejte pozor, abyste neroztrhli kabel dvířek.
8. Odpojte připojovací kabel.
9. Odstraňte 3 šrouby závěsu a levý horní závěs a opatrně vyjměte dvířka.
10. Vložte kartonovou krabici nebo látku pod dvířka a umístěte dvířka ve vodorovné poloze. Demontujte pravý koncový kryt dvířek, vyjměte levý koncový kryt z tašky s příslušenstvím. Namontujte jej na levou horní stranu dvířek.
11. Demontujte 2 šrouby na pravé spodní straně dvířek. Demontujte 2 šrouby. Uzávěr dvířek a kryt osy na levé spodní straně dvířek.
12. Vezměte uzávěr dvířek z posledního kroku a pravý kryt osy z tašky s příslušenstvím, upevněte je pomocí 2 šroubů. Upevněte 2 šrouby i na druhé straně dvířek.
13. Po umístění hrubších podložek zespodu položte zadní část skříně dolů. Demontujte 4 šrouby a spodní závěs.
14. Odšroubujte kryt osy.



15. Vezměte pravý kryt osy z tašky s příslušenstvím. Upevněte jej šroubem.
16. Po výměně zaměňte polohu náklonové destičky a spodního závěsu.
17. Demontujte levý malý kryt závěsu a víko závěsu z krytu závěsu.
18. Zaměňte víko závěsu na druhou stranu a z tašky s příslušenstvím vyberte pravý malý kryt závěsu. Nainstalujte jej na kryt závěsu.
19. Namontujte dvířka, nainstalujte levý závěs, zapojte připojovací kabel a upevněte kryt závěsu pomocí šroubů.
20. Namontujte demontovanou paličku na levou stranu dvířek a vložte gumové zátky do otvoru tlačné tyče rukojeti na pravé straně dvířek.
21. Hotovo.

Minimální záruka je: 2 roky pro země EU, 3 roky pro Turecko, 1 rok pro Spojené království, 1 rok pro Rusko, 3 roky pro Švédsko, 2 roky pro Srbsko, 5 let pro Norsko, 1 rok pro Maroko, 6 měsíců pro Alžírsko, v Tunisku není vyžadována žádná právní záruka.

Termostaty, teplotní senzory, desky plošných spojů a světelné zdroje jsou k dispozici minimálně po dobu sedmi let od uvedení poslední jednotky modelu na trh. Rukojeti dvířek, závěsy dvířek, zásobníky a koše po dobu nejméně sedmi let a těsnění dvířek po dobu nejméně 10 let po uvedení poslední jednotky modelu na trh.

Další informace o výrobku naleznete na

<https://eprel.ec.europa.eu/> nebo naskenujte QR kód na energetickém štítku dodaném se spotřebičem.

Chcete-li kontaktovat technickou podporu, navštivte naše webové stránky:

<https://corporate.haier-europe.com/cs/>

V sekci „webové stránky“ vyberte značku svého produktu a svou zemi.

Budete přesměrováni na konkrétní webové stránky, kde najdete telefonní číslo a formulář pro kontaktování technické podpory.

| | | |
|--|--------------------|----------|
| Ochranná známka | Haier | |
| Identifikátor modelu | H2F385*F | H2F385*D |
| Kategorie modelu | skříňová mraznička | |
| Třída energetické účinnosti | F | D |
| Roční spotřeba energie (kWh/rok) ¹⁾ | 356 | 228 |
| Chlazení skladovacího objemu (L) | nepoužívá se | |
| Zmrazení skladovacího objemu (L) **** | 386 | |
| Hodnocení hvězdičkami | **** | |
| Teplota ostatních oddílů > 14 °C | nepoužívá se | |
| System bez námrazy | ano | |
| Bezpečný vápadek proudu (h) | 11.5 | 11.5 |
| Zmrazovací kapacita (kg/24h) | 19.5 | 19.5 |
| Klimatická třída Tento spotřebič je určen k použití při okolní teplotě mezi 10 °C a 43 °C. | SN-T | |
| Emise hluku šířeného vzduchem (dB(A)) | 39 | |
| Typ konstrukce | volně stojící | |

1) na základě výsledků 24 hodinové normalizované zkoušky. Skutečná spotřeba energie bude záviset na používání a umístění spotřebiče.

Podrobné specifikace naleznete na štítku a energetickém štítku uvnitř výrobku.

Tento spotřebič je určen k použití při okolní teplotě uvedené níže:

| | |
|----|-----------------|
| SN | +10 °C ~ +32 °C |
| N | +16 °C ~ +32 °C |
| ST | +16 °C ~ +38 °C |
| T | +16 °C ~ +43 °C |

11.2 Doplnkové technické údaje

| | |
|----------------------|-------------------|
| Napětí / Frekvence | 220-240V ~ / 50Hz |
| Jmenovitý proud (A) | 1.5 |
| Chladičí kapalina | R600a |
| Rozměry (v/š/h v cm) | 172,5/70,5/69,1 |

H2F385*F/*D_CZ

Haier



Manual del usuario

Congelador Vertical

H2F385*F

H2F385*D

* - Colour code

ES

Haier

Gracias por comprar un producto Haier.

Lea estas instrucciones atentamente antes utilizar el electrodoméstico. Las instrucciones contienen información importante que le ayudará a sacar el máximo provecho del electrodoméstico y a garantizar una instalación, uso y mantenimiento seguros y adecuados.

Guarde este manual en un lugar conveniente para poder consultarlo en todo momento para el uso seguro y adecuado del electrodoméstico.

Si vende el electrodoméstico, lo regala o lo deja cuando se muda, asegúrese de pasar también este manual para que el nuevo propietario se familiarice con el electrodoméstico y las advertencias de seguridad.

ADVERTENCIA: Riesgo de incendio/material inflamable. El símbolo indica que existe un riesgo de incendio ya que se utilizan materiales inflamables. Proceda con cuidado para evitar encender material inflamable y causar un incendio.

Leyenda



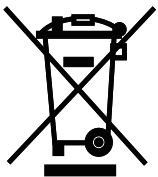
Información general y consejos



Advertencia – Información de seguridad importante



Información medioambiental



Desecho

Ayude a proteger el medio ambiente y la salud de las personas. Coloque el embalaje en contenedores adecuados para su reciclaje. Ayude a reciclar los desechos de aparatos eléctricos y electrónicos. No tirar a la basura normal aquellos aparatos que contengan este símbolo. Lleve el aparato a las instalaciones de reciclaje local o comuníquese con su oficina municipal.



¡Advertencia!

¡Riesgo de lesiones o asfixia!

Sólo personal profesional deberá encargarse del desecho de los refrigerantes y gases. Compruebe que las tuberías del circuito de refrigeración no estén dañadas antes de desecharlas de forma adecuada. Desconecte el aparato de la fuente de energía eléctrica. Corte el cable de corriente y deséchelo. Retire la puerta, el pestillo y los sellos de la misma para evitar que los niños y las mascotas queden encerrados en el aparato.

| | |
|-----------------------------------|----|
| 1 - Seguridad..... | 4 |
| 2 - Uso previsto..... | 11 |
| 3 - Descripción del producto..... | 12 |
| 4 - Uso..... | 13 |
| 5 - Equipamiento | 17 |
| 6 - Cuidado y limpieza..... | 18 |
| 7 - Resolución de problemas | 20 |
| 8 - Instalación..... | 23 |
| 9 - Datos técnicos..... | 27 |

¡Antes de encender el electrodoméstico por primera vez, lea las siguientes indicaciones de seguridad!



ADVERTENCIA:

Antes del primer uso

- ▶ Asegúrese de que no se hayan ocasionado daños durante el transporte.
- ▶ Retire todo el embalaje y manténgalo fuera del alcance de los niños.
- ▶ Espere por lo menos dos horas antes de instalar el electrodoméstico para asegurarse de que el circuito de refrigerante este totalmente operativo.
- ▶ Manipule el electrodoméstico siempre con al menos dos personas porque es pesado.

Instalación

- ▶ El electrodoméstico debe colocarse en un lugar bien ventilado. Asegúrese de tener un espacio de al menos 5 cm por encima y alrededor del electrodoméstico.
- ▶ **ADVERTENCIA:** Mantenga despejadas las ranuras de ventilación del electrodoméstico o de la estructura integrada.
- ▶ Nunca coloque el electrodoméstico en un área húmeda o en un lugar donde pueda salpicar agua. Limpie y seque el agua que salpique y las manchas con un paño suave y limpio.
- ▶ No instale el electrodoméstico bajo la luz directa del sol o cerca de fuentes de calor (por ejemplo, estufas, calentadores).
- ▶ Instale y nivele el electrodoméstico en un área adecuada para su tamaño y uso.
- ▶ Asegúrese de que la información eléctrica de la placa de características concuerde con la fuente de alimentación. Si no es así, contacte con un electricista.
- ▶ El electrodoméstico funciona con una fuente de alimentación de 220-240 V CA/50 Hz.
- ▶ Una fluctuación anormal del voltaje puede hacer que el electrodoméstico no se ponga en marcha, que se dañe el control de temperatura o el compresor, o que haya un ruido anormal al funcionar. En tal caso, se montará un regulador automático.
- ▶ No utilice adaptadores multienchufe y cables de extensión.
- ▶ **ADVERTENCIA:** No coloque tomas de corriente múltiples portátiles o fuentes de alimentación portátiles en la parte posterior del electrodoméstico.
- ▶ **ADVERTENCIA:** Al colocar el electrodoméstico en su sitio, asegúrese de que el cable de alimentación no esté pinzado ni dañado.
- ▶ No pise el cable de alimentación.
- ▶ Asegúrese de que el cable de alimentación no quede atrapado por el congelador.
- ▶ No cubra las aberturas de ventilación.
- ▶ Utilice un enchufe con toma de tierra separado para el suministro de electricidad que sea de fácil acceso. El electrodoméstico debe tener conexión a tierra.
- ▶ En modo de refrigeración sin compartimento de 4 estrellas: este aparato de refrigeración no es adecuado para congelar alimentos; en el modo de congelación con un compartimento de 4 estrellas este aparato de congelación no es para refrigerar alimentos.



¡ADVERTENCIA!

- ▶ **ADVERTENCIA:** No dañe el circuito de refrigerante.

Uso diario

- ▶ Pueden utilizarlo niños a partir de 8 años de edad y personas con facultades físicas, sensoriales o mentales reducidas, o con falta de experiencia y conocimiento, si lo emplean bajo supervisión o se les instruye acerca de la seguridad del producto y entienden los riesgos que comporta.
- ▶ Los niños no deben jugar con el electrodoméstico.
- ▶ Los niños de 3 a 8 años de edad solo pueden ayudar a cargar y descargar los productos del aparato frigorífico, pero no se les permite limpiar e instalar el electrodoméstico.
- ▶ Mantenga alejados a los niños menores de 3 años del electrodoméstico, a menos que sean supervisados constantemente.
- ▶ Los niños no deben limpiar ni mantener el producto sin supervisión.
- ▶ El electrodoméstico debe estar colocado de forma que el enchufe quede accesible. Si el gas ciudad u otro gas inflamable se está filtrando en las inmediaciones del electrodoméstico, apague la válvula del gas en la que hay la fuga, abra las puertas y ventanas y no desenchufe el cable de alimentación del congelador o cualquier otro electrodoméstico.
- ▶ Tenga en cuenta que el electrodoméstico está configurado para funcionar en el rango ambiental específico entre 10°C y 43°C. Es posible que el electrodoméstico no funcione correctamente si se deja durante demasiado tiempo a una temperatura por encima o por debajo del rango indicado.
- ▶ No coloque artículos inestables (objetos pesados, recipientes llenos de agua) encima del congelador, para evitar lesiones personales causadas por caídas o descargas eléctricas causadas por el contacto con el agua.
- ▶ No guarde ni utilice materiales inflamables, explosivos o corrosivos en el electrodoméstico o en sus alrededores.
- ▶ No levante el electrodoméstico por las asas.
- ▶ Nunca coloque el electrodoméstico horizontalmente en el suelo cuando lo muevas.
- ▶ Antes de cualquier operación, desenchufe primero el electrodoméstico de la red eléctrica.
- ▶ No incline el electrodoméstico más de 45° para evitar que se dañe el sistema de refrigeración al moverlo.
- ▶ Desenchufe el electrodoméstico en caso de interrupción de la electricidad o antes de limpiarlo. Espere al menos 7 minutos antes de reiniciarlo, ya que un arranque frecuente podría dañar el compresor.
- ▶ Compruebe el estado de la comida si se ha producido un calentamiento en el congelador.



¡ADVERTENCIA!

- ▶ No tire de los estantes de la puerta. La puerta se puede inclinar, los estantes de la puerta se pueden salir o el electrodoméstico se puede caer.
- ▶ Abra y cierre las puertas solo con los tiradores. El espacio entre la puerta y el armario es muy estrecho. No ponga las manos en estas áreas para evitar pellizcarse los dedos. Abra o cierre las puertas del electrodoméstico solo cuando no haya niños en el rango de movimiento de la puerta.
- ▶ Nunca almacene cerveza o bebidas embotelladas en el congelador, ya que éstas estallan durante la congelación.
- ▶ No almacene en este electrodoméstico sustancias explosivas como latas de aerosol con un propelente inflamable.
- ▶ No guarde medicinas ni agentes bacterianos o químicos en el electrodoméstico.
- ▶ Este aparato es un electrodoméstico. No se recomienda almacenar materiales que requieran temperaturas estrictas.
- ▶ Nunca almacene líquidos en botellas o latas (además de bebidas alcohólicas de alto porcentaje), especialmente bebidas gaseosas en el congelador, ya que estas reventarán durante la congelación.
- ▶ No programe una temperatura innecesariamente baja en el compartimento del congelador. Pueden producirse temperaturas negativas con valores altos. Atención: Las botellas pueden reventar.
- ▶ No toque los productos congelados con las manos mojadas (use guantes). No coma polos de hielo inmediatamente después de sacarlos del congelador. Existe el riesgo de congelación o de formación de ampollas. **PRIMEROS AUXILIOS:** ponga inmediatamente la zona afectada bajo agua fría corriente. ¡No lo arranque con fuerza!
- ▶ No toque la superficie interior del compartimento de almacenamiento del congelador cuando esté en funcionamiento, especialmente con las manos húmedas, ya que las manos pueden congelarse en la superficie.
- ▶ **ADVERTENCIA:** No utilice aparatos eléctricos dentro de los compartimentos para la conservación de alimentos del electrodoméstico, a menos que sean del tipo que recomienda el fabricante.
- ▶ **ADVERTENCIA:** El fabricante puede reemplazar las bombillas junto con una parte del electrodoméstico.
- ▶ **ADVERTENCIA:** Si no está seguro del tipo de refrigerante, compruebe la placa de datos de la unidad. Es peligroso que cualquier persona que no sea una persona de servicio autorizada realice el mantenimiento de este electrodoméstico. En Queensland - la persona de servicio autorizada DEBE tener una autorización de trabajo con gas para refrigerantes de hidrocarburos, para llevar a cabo el servicio o las reparaciones que impliquen la retirada de las protecciones.



¡ADVERTENCIA!

Mantenimiento/limpieza

- ▶ Asegúrese de que los niños estén supervisados cuando se llevan a cabo operaciones de limpieza y mantenimiento.
- ▶ Desconecte el electrodoméstico del suministro eléctrico antes de realizar cualquier mantenimiento de rutina. Espere al menos 7 minutos antes de reiniciarlo, ya que un arranque frecuente podría dañar el compresor.
- ▶ Sujete el conector en lugar del cable para desenchufar el electrodoméstico.
- ▶ No limpie el electrodoméstico con cepillos duros, cepillos de alambre, detergente en polvo, gasolina, acetato de pentilo, acetona u otras soluciones orgánicas similares, soluciones ácidas o alcalinas. Limpie con detergente especial para congelador para evitar daños.
- ▶ No quite el hielo o la escarcha con objetos afilados. No utilice aerosoles ni calentadores eléctricos, como calefactores, secadores de pelo, limpiadores de vapor u otras fuentes de calor para evitar dañar las piezas de plástico.
- ▶ **ADVERTENCIA:** No utilice electrodomésticos mecánicos ni otros medios para acelerar el proceso de descongelación y siga las recomendaciones del fabricante.
- ▶ Para evitar riesgos, el fabricante, su representante de servicio o cualquier otra persona cualificada deben cambiar los cables de alimentación que estén dañados.
- ▶ No intente reparar, desmontar o modificar el electrodoméstico usted mismo. En caso de necesitar una reparación, póngase en contacto con nuestro servicio de atención al cliente.
- ▶ Elimine el polvo en la parte posterior de la unidad al menos una vez al año para evitar el riesgo de incendio, así como un mayor consumo de energía.
- ▶ No rocíe ni lave el electrodoméstico durante las operaciones de limpieza.
- ▶ No utilice agua pulverizada o vapor para limpiar el electrodoméstico.
- ▶ No limpie los estantes de vidrio que estén fríos con agua caliente. Un cambio repentino de temperatura puede hacer que el vidrio se rompa.
- ▶ Desconecte el electrodoméstico de la red eléctrica antes de limpiarlo.
- ▶ En caso de calefacción, compruebe el estado de los productos congelados.
- ▶ Antes del mantenimiento, desactive el electrodoméstico y desconecte el enchufe de la toma de corriente.
- ▶ El equipo eléctrico solo debe ser reparado por electricistas cualificados, ya que las reparaciones inadecuadas pueden causar daños considerables.

Información sobre el gas refrigerante



¡ADVERTENCIA!

Mantenimiento/limpieza

El electrodoméstico contiene el refrigerante inflamable ISOBUTANO (R600a). Asegúrese de que el circuito de refrigerante no se dañe durante el transporte o la instalación. La fuga de refrigerante puede causar lesiones en los ojos o incendios. Si se ha producido un daño, mantenga alejadas las llamas vivas, ventile completamente la habitación y no enchufe ni desenchufe los cables de alimentación del electrodoméstico o de cualquier otro aparato. Informe al servicio de atención al cliente.

En caso de que los ojos entren en contacto con el refrigerante, lávelos inmediatamente con agua corriente y póngase en contacto inmediatamente con un oftalmólogo.

ADVERTENCIA: El sistema de refrigeración está sometido a alta presión. No lo manipule. Dado que se utilizan líquidos de refrigeración inflamables, instale, manipule y realice el mantenimiento del electrodoméstico de acuerdo con las instrucciones; póngase en contacto con un profesional o con nuestro servicio de posventa para proceder a su retirada.



¡ADVERTENCIA!

- ▶ Proceder con cuidado para evitar encender el material inflamable y provocar un incendio.
- ▶ **ADVERTENCIA:** Al colocar el electrodoméstico en su sitio, asegúrese de que el cable de alimentación no esté pinzado ni dañado.
- ▶ **ADVERTENCIA:** No coloque tomas de corriente múltiples portátiles o fuentes de alimentación portátiles en la parte posterior del electrodoméstico.
- ▶ No almacene en este electrodoméstico sustancias explosivas como latas de aerosol con un propelente inflamable.
- ▶ Si se utilizan refrigerantes inflamables en el congelador, tenga cuidado al instalar, manipular, servir y reciclar el electrodoméstico.
- ▶ Por favor, póngase en contacto con el agente de servicio para deshacerse del electrodoméstico porque se utilizó el gas de soplado inflamable.

Uso previsto

Este electrodoméstico está diseñado para su uso en el hogar y en aplicaciones parecidas, como

- zonas de cocina para empleados en negocios, oficinas y otros entornos laborales;
- granjas y por clientes de hoteles, moteles y otros establecimientos de tipo residencial;
- otros establecimientos de hospedaje;
- cáterings y otras aplicaciones similares no minoristas.

▶ Si el electrodoméstico no se utiliza durante un largo periodo de tiempo.

- Saque los alimentos.
- Desenchufe el cable de corriente.
- Limpie el electrodoméstico como se describe arriba.
- Mantenga las puertas abiertas para evitar la formación de malos olores en el interior.

▶ Para garantizar una conservación segura de los alimentos, siga estas instrucciones de uso.

▶ Para más información sobre qué partes del electrodoméstico son las adecuadas para cada tipo de alimento, en función de la distribución de temperatura en los diferentes compartimentos del electrodoméstico, consulte la otra parte del manual.


▶ Para evitar la contaminación de los alimentos, siga las siguientes instrucciones:

- Abrir la puerta durante un tiempo prolongado puede provocar un aumento significativo de la temperatura en los compartimentos del electrodoméstico.
- Limpie regularmente las superficies que puedan entrar en contacto con alimentos y sistemas de vaciado accesibles.
- Guarde la carne y el pescado crudos en recipientes adecuados en el congelador para evitar que entren en contacto con otros alimentos o goteen sobre ellos.
- Los compartimentos para alimentos congelados con dos estrellas están pensados para almacenar alimentos precongelados, almacenar o hacer helados y cubitos de hielo.

- Los compartimentos con una, dos y tres estrellas no son aptos para congelar alimentos frescos.
- Para evitar la aparición de moho, el electrodoméstico se debe apagar, descongelar, limpiar y secar, además de dejar la puerta abierta, cuando vaya a permanecer vacío durante largos periodos de tiempo.

Eliminación



La aparición del símbolo  en el producto o en su envase indica que no puede tratarse como residuo doméstico. Debe llevarse a un punto de recogida de residuos adecuado para reciclaje de aparatos eléctricos y electrónicos. Al asegurarse de desechar este electrodoméstico de forma correcta, estará contribuyendo a evitar las posibles consecuencias negativas para el medio ambiente y la salud humana que ocasionaría el tratamiento inadecuado de los residuos de este producto. Para obtener información detallada sobre el reciclaje de este producto, póngase en contacto con el servicio de recogida de basuras municipal o el establecimiento donde lo adquirió.

Dado que se utilizan gases de aislamiento inflamables, póngase en contacto con un profesional o con nuestro servicio de posventa para deshacerse del electrodoméstico.

¡ADVERTENCIA!

¡Peligro de lesiones por asfixia!

Los refrigerantes y los gases deben ser eliminados profesionalmente. Asegúrese de que los tubos del circuito de refrigerante no estén dañados antes de desecharlos correctamente. Desconecte el electrodoméstico de la red eléctrica. Corte el cable eléctrico y deséchelo. Quite las bandejas y los cajones, así como el pestillo de la puerta y los burletes, para evitar que los niños y los animales domésticos queden encerrados en el electrodoméstico.

2.1 Uso previsto

Este electrodoméstico está diseñado para su uso en el hogar y en aplicaciones parecidas, como




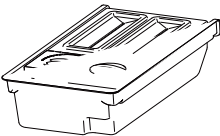

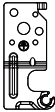

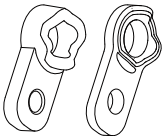
- Zonas de cocina para empleados en negocios, oficinas y otros entornos laborales;
- Granjas y por clientes de hoteles, moteles y otros establecimientos de tipo residencial;
- Otros establecimientos de hospedaje;
- Cáterings y otras aplicaciones similares no minoristas.

Este electrodoméstico está destinado a la congelación de alimentos. Ha sido diseñado exclusivamente para su uso en viviendas de interior seco. No está diseñado para uso comercial o industrial.

No se permiten cambios o modificaciones en el dispositivo. El uso no intencionado puede causar peligros y la pérdida de reclamaciones de garantía.

2.2 Accesorios

Revise los accesorios y los documentos de acuerdo con esta lista:

| | | | |
|-----|---|---|--|
| 2.2 |  |  |  |
| | Etiqueta energética | Certificado de garantía | Manual del usuario |
| |  |  |  |
| | Máquina de hielo con cucharada para hielo | Tapa del extremo superior izquierdo de la moldura | Bisagra superior derecha para la reversibilidad de la puerta |
| | |  |  |
| | | Tapa de la bisagra superior derecha | Cubre-pernos |



Nota: Diferencia

Debido a los cambios técnicos y a los diferentes modelos, algunas de las ilustraciones de este manual pueden diferir de su modelo.



- | | | | |
|---|---|---|----------------------------------|
| 1 | Luz LED | 6 | Estantes regulables de la puerta |
| 2 | Protección de conducto de aire | 7 | Placa de datos |
| 3 | Estantes de cristal | 8 | Manija de la puerta |
| 4 | Contenedores de almacenamiento de congelación | 9 | Ice Maker giratorio |
| 5 | Patas de apoyo ajustables | | |

Nota: este producto contiene una fuente de luz de clase de eficiencia energética <G>.

4.1 Antes del primer uso

- ▶ Retire todos los materiales de embalaje, manténgalos fuera del alcance de los niños y deséchelos de una manera respetuosa con el medio ambiente.
- ▶ Limpie el interior y el exterior del electrodoméstico con agua y un detergente suave antes de introducir cualquier alimento.
- ▶ Una vez nivelado y limpiado el electrodoméstico, espere al menos 2 horas antes de conectarlo a la fuente de alimentación. Consulte la sección INSTALACIÓN.
- ▶ Enfríe el compartimento 2 horas en configuraciones altas antes de introducir los alimentos. La función Super Freeze ayuda a enfriar los compartimentos rápidamente.



Los diferentes alimentos deben colocarse en diferentes zonas según sus propiedades (Fig. 4.1). Se recomienda el uso de refrigeradores para almacenar carne, pescado, pizza y otros alimentos congelados

Los alimentos pueden guardarse en el congelador a una temperatura de al menos -18°C durante 2-12 meses, dependiendo de sus propiedades (por ejemplo, carne: 3-12 meses, verduras: 6-12 meses)

Para evitar que los productos caduquen, anote la fecha de congelación, el plazo y el nombre del alimento en el envase según los periodos de almacenamiento de los diferentes alimentos.

4.2 Encendido/apagado del electrodoméstico

El electrodoméstico se pone en funcionamiento cuando se conecta a la fuente de alimentación.

- ▶ La temperatura del congelador se ajusta automáticamente a -18°C . Este es el ajuste recomendado y la temperatura ideal para los productos congelados. Si lo desea, puede cambiar la temperatura manualmente. Véase AJUSTE DE LA TEMPERATURA.



Nota: Preajustes

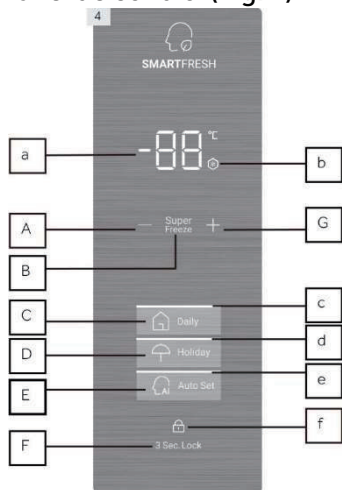
1. El electrodoméstico está preajustado a la temperatura recomendada de -18°C . En condiciones ambientales normales no es necesario cambiar la temperatura.
2. Cuando el electrodoméstico se enciende después de desconectarlo de la fuente de alimentación principal, puede tardar hasta 12 horas en alcanzar la temperatura correcta.

Vacíe el electrodoméstico antes de apagarlo. Para apagar el electrodoméstico, retire el cable de alimentación de la toma de corriente.

4.3 Modo de espera de la pantalla

Cuando se cierra la puerta, la pantalla se apaga automáticamente 30 segundos después de no haber sido utilizada. La pantalla se bloquea automáticamente. Se enciende automáticamente al pulsar cualquier interruptor o al abrir la puerta.

4.4 Panel de control (Fig. 4)



Descripción de los iconos

- a: Icono de visualización de la temperatura
- b: Icono Super Freeze (congelación rápida)
- c: Icono de función Daily (diaria)
- d: Icono Holiday (vacaciones)
- e: Icono Auto Set (ajuste automático)
- f: Icono Lock (bloqueo)

Descripción de las teclas

- A: Tecla de ajuste de disminución de la temperatura: Pulse para disminuir la temperatura
- B: Tecla Super Freeze: Pulse para activar la función Super Freeze
- C: Tecla de función Daily: Pulse para activar las funciones Daily
- D: Tecla Holiday: Pulse para activar la función Holiday
- E: Tecla Auto Set: Pulse para activar la función Auto Set
- F: Tecla Lock: Pulse y mantenga durante 3 segundos para bloquear o desbloquear
- G: Tecla de ajuste de aumento de la temperatura: Pulse para aumentar la temperatura

4.5 Bloqueo y desbloqueo de la pantalla

Bloqueo automático

El panel de control puede entrar automáticamente en la función Lock. La pantalla se bloquea automáticamente después de 30 segundos sin operación.

Bloqueo manual

Cuando la pantalla está desbloqueada, pulse "Lock" (F) y manténgalo pulsado durante 3 segundos, después de un pitido, el icono "Lock" (f) se enciende, la pantalla está bloqueada. Cuando la pantalla está bloqueada, pulse "Lock" (F) y manténgalo pulsado durante 3 segundos; tras un pitido, el icono "Lock" (f) se apaga y la pantalla se desbloquea.

i Nota: Bloqueo de la pantalla

Cuando la pantalla está bloqueada, las funciones como el ajuste de la temperatura o la configuración de las funciones están desactivadas. Cuando se intenta la operación anterior, el icono "Lock" (f) parpadeará durante 3 veces para recordar que la pantalla está bloqueada.

4.6 Ajuste de la temperatura

El rango de temperatura de este congelador puede ajustarse entre -14°C y -24°C .

Cuando la pantalla está desbloqueada, en la función Daily, pulse "Ajuste de disminución de la temperatura" (A), después de un pitido, el icono de la "Pantalla de la temperatura" (a) comienza a parpadear y entra en el modo de ajuste de la temperatura. Y luego, cada vez que se pulsa el "Ajuste de disminución de la temperatura" (A), el zumbador emite un pitido, la temperatura se reduce en 1°C , y el valor más bajo es -24°C . Una vez ajustada la temperatura, el valor ajustado de la temperatura se determina y deja de parpadear después de 5 segundos sin operación.

Después de desbloquear la pantalla, en la función Daily, pulse "Ajuste de aumento de la temperatura" (G), después de un pitido, el icono "Pantalla de la temperatura" (a) comienza a parpadear y entra en el modo de ajuste de temperatura, y luego cada vez que pulse "Ajuste de aumento de la temperatura" (G), el zumbador emite un pitido, la temperatura aumenta en 1°C , hasta -14°C . Una vez ajustada la temperatura, se determina el valor de ajuste de la temperatura y el icono (a) deja de parpadear después de 5 segundos sin operación.

4.7 Función Daily (C)

El electrodoméstico está en función Daily desde que se conecta por primera vez a la red eléctrica y se enciende el icono "Daily" (c). Sólo en esta función se puede ajustar la temperatura.

4.8 Función Super Freeze (B)

El modo Super Freeze es óptimo para conservar la nutrición de los alimentos, ya que puede congelarlos en menos tiempo. Antes de poner muchos alimentos en el congelador, active la función Super Freeze para tener una temperatura más baja, para asegurar un mejor resultado de congelación.

Cuando la pantalla está desbloqueada, al tocar "Super Freeze" (B), el icono Super Freeze (b) se enciende, el congelador funciona en modo Super Freeze. Para salir de la función Super Freeze manualmente repita los pasos anteriores. Si no fuera, la función se desactivará automáticamente después de 50 horas.

Si tiene una gran cantidad de alimentos para congelar de una sola vez, se recomienda activar la función 24 horas antes de introducir los alimentos. La función se detendrá automáticamente después de 50 horas o manualmente. El consumo de energía aumentará cuando esta función esté activada.

En el modo Super Freeze, la temperatura de funcionamiento del congelador varía en función de la cantidad de alimentos cargados y de las condiciones ambientales. La temperatura en el interior del congelador podría bajar hasta -37°C .



Nota: Super Freeze

1. En el modo Super Freeze, la temperatura no se podía ajustar. Si lo hace, el icono Super Freeze parpadeará durante 3 veces para recordar que el congelador está en modo Super Freeze.
2. En el modo Super Freeze, si se ajusta la función de Auto Set o Holiday, "Super Freeze" (b) está desactivado, la función Super Freeze sale automáticamente y se activa la función Auto Set o Holiday.

4.9 Función Holiday (D)

Cuando la pantalla está desbloqueada, al tocar "Holiday" (D), el icono Holiday (d) se enciende, el congelador funciona en modo Holiday. En el modo Holiday, al tocar "Holiday" (D) el icono Holiday (d) se apaga y el congelador sale de la función Holiday. En el modo Holiday, si la temperatura antes de entrar en Holiday es superior a -18°C , después de entrar en la función Holiday, la temperatura se ajusta automáticamente a -18°C ; si la temperatura antes de entrar en Holiday es inferior a -18°C , después de entrar en la función Holiday, la temperatura no cambia.

Nota: Función Holiday

1. En el modo Holiday, la temperatura no se podía ajustar. Si lo hace, el icono Holiday parpadeará durante 3 veces para recordar que el congelador está en modo Holiday.
2. En el modo Holiday, si la función Auto Set, Daily o Super Freeze está ajustada, el icono Holiday (d) está apagado, la función Holiday sale automáticamente y se activa la función Auto Set, Daily o Super Freeze.

4.10 Función Auto Set (E)

Cuando la pantalla está desbloqueada, al tocar "Auto Set" (E), el icono "Auto Set" (e) se enciende, el congelador funciona en modo Auto Set. En el modo Auto Set, al tocar "Auto Set" (E), el icono (e) se apaga y el congelador sale de la función Auto Set. Con la función Auto Set, el congelador funciona a -18°C .

Nota: Función Auto Set

1. En el modo Auto Set, la temperatura no se podía ajustar. Si lo hace, el icono Auto Set parpadeará durante 3 veces para recordar que el congelador está en modo Auto Set.
2. En el modo Auto Set, si la función Holiday, Daily o Super Freeze está ajustada, el icono "Auto Set" (e) está apagado, la función Auto Set sale automáticamente y se activa la función Holiday, Daily o Super Freeze.

4.11 Función de control de la pantalla

Cuando se cierra la puerta, la pantalla se apaga automáticamente 30 segundos después de no haber sido utilizada. La pantalla se bloquea automáticamente. Se enciende automáticamente al pulsar cualquier tecla o al abrir la puerta.

4.12 Memoria de apagado

Este congelador tiene memoria de apagado, los ajustes antes del apagado serán memorizados. Cuando se bloquea la alimentación, el congelador volverá a la configuración anterior al apagado y seguirá funcionando. El bloqueo no se memoriza, después de volver a encenderlo, la pantalla se desbloquea.

4.13 Alarma de apertura de la puerta

Cuando el congelador se mantiene abierto durante más de 1 minuto, el zumbador emitirá 3 pitidos con un intervalo de 0,5 segundos. Los pitidos se repetirán cada 30 segundos si la puerta se mantiene abierta. Los pitidos se detendrán hasta que la puerta se cierre o después de 7 minutos de apertura de la puerta. El zumbador deja de sonar y el testigo del congelador se apaga.

4.14 Alarma de alta temperatura

Este congelador está equipado con una alarma de alta temperatura. En el modo de congelación o en el modo Super Freeze, si el icono de la pantalla de temperatura muestra "HH" con pitidos, al tocar cualquier tecla, el pitido se detendrá, pero el icono de la pantalla de temperatura sigue parpadeando, eso significa que la temperatura en el congelador es demasiado alta. Compruebe si la puerta está bien cerrada o si se pone una gran cantidad de alimentos calientes dentro del congelador. Después de un tiempo, el icono de la pantalla de temperatura dejará de parpadear. Si no deja de parpadear "HH" durante mucho tiempo y vuelven a sonar los pitidos que se cancelan manualmente, póngase en contacto con el servicio postventa.

4.15 Indicación de error

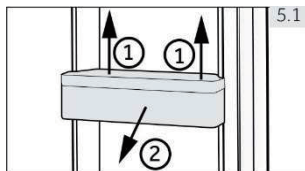
Cuando el icono de la pantalla muestra E1, E2 y otros códigos y parpadea, indica que el congelador está averiado. En esta situación, el congelador podría seguir congelando los alimentos, pero el usuario debería ponerse en contacto con el servicio de postventa lo antes posible para un control óptimo del congelador.



4.16 Consejos para ahorrar energía

- ▶ Asegúrese de que el electrodoméstico esté bien ventilado (ver INSTALACIÓN).
- ▶ No instale el electrodoméstico bajo la luz directa del sol o cerca de fuentes de calor (por ejemplo, estufas, calentadores).
- ▶ Evite una temperatura innecesariamente baja en el electrodoméstico. El consumo de energía aumenta cuanto más baja es la temperatura del electrodoméstico.
- ▶ La comida caliente debe enfriarse antes de introducirla en el frigorífico.
- ▶ Abra la puerta del electrodoméstico lo menos posible y tan brevemente como pueda.
- ▶ Asegúrese de que la puerta siempre se cierra correctamente y sin obstáculos por la posición de los alimentos. Mantenga limpia la junta de la puerta.
- ▶ Descongele los alimentos congelados en un frigorífico.
- ▶ Limpie regularmente la parte trasera del electrodoméstico. El polvo aumenta el consumo de energía.
- ▶ La configuración que más ahorra energía requiere que el cajón, la caja de alimentos y los estantes se coloquen en el electrodoméstico como suministrados de fábrica, y que los alimentos se coloquen sin bloquear la salida de aire del conducto.

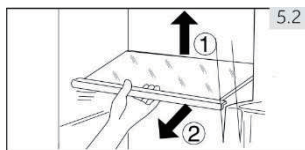
5 - Equipamiento



5.1 Estantes de puerta extraíbles

Los estantes de la puerta pueden quitarse para limpiarlos: Coloque las manos a cada lado del estante, levántelo hacia arriba (1) y extráigalo (2) (Fig. 5.1).

Para insertar el estante de la puerta, los pasos anteriores se realizan en orden inverso.



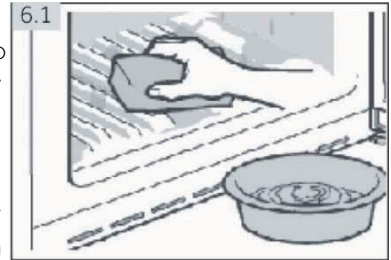
5.2 Estantes de vidrio

1. Para reubicar un estante, primero retírelo levantando su borde trasero (1) y tirando de él (2) (Fig. 5.2).
2. Para reinstalarlo, póngalo en las orejetas de ambos lados y empujelo a la posición más atrasada hasta que la parte trasera del estante esté fija dentro de las ranuras de los lados.

6.1 Información general

Limpe el electrodoméstico cuando tenga poca o ninguna comida y desenchúfelo.

- ▶ Mantenga siempre limpia la junta de la puerta.
- ▶ Limpe el interior y la carcasa del electrodoméstico con una esponja humedecida en agua tibia y detergente neutro.



1. Friegue el interior y el exterior del congelador, incluyendo el sello de la puerta, los estantes de la puerta, los estantes de cristal, las cajas y demás, con una toalla suave o una esponja sumergida en agua tibia (puede agregar detergente neutro en el agua tibia).
2. Si hay líquido derramado, retire todos los artículos contaminados, enjuague directamente con el agua corriente, séquelos y colóquelos de nuevo en congelador.
3. Si hay crema derramada (como la crema, helado derretido), retire todos los artículos contaminados, póngalos en agua tibia a 40°C durante algún tiempo, luego enjuague con agua corriente, séquelos y colóquelos de nuevo en congelador.
4. En caso de que alguna pequeña pieza o componente se quede atascado dentro del congelador (entre estantes o los compartimientos de almacenamiento), utilice un pequeño cepillo suave para liberarlo. Si no puede llegar a la pieza, contacte con el servicio de Haier.

6.2 Inactividad durante un periodo de tiempo prolongado

Si el electrodoméstico no se utiliza durante un largo periodo de tiempo:

- ▶ Saque los alimentos.
- ▶ Desenchufe el cable de corriente.
- ▶ Limpie el electrodoméstico como se describe arriba.
- ▶ Mantenga las puertas y los contenedores de almacenamiento de congelación abiertos para evitar la formación de malos olores en el interior.

Retire la puerta del electrodoméstico (abra la puerta y sujétela antes de retirar los tornillos) para evitar que los niños entren en el electrodoméstico y se queden encerrados.



Nota: Apagado

Para garantizar la vida útil del electrodoméstico, apáguelo sólo si es estrictamente necesario.

6.3 Movimiento del electrodoméstico

1. Retire toda la comida y desenchufe el electrodoméstico.
2. Asegure los estantes y otras partes móviles del congelador con cinta adhesiva.
3. Cierre la puerta y asegúrela con cinta adhesiva.
4. No incline el congelador más de 45° para evitar dañar el sistema de refrigeración.
5. Envuelva las patas del congelador para evitar que se raye el suelo. Nunca mueva el congelador con fuerza.

Muchos de los problemas que se producen podrían ser resueltos por usted mismo sin necesidad de conocimientos específicos. En caso de un problema, compruebe todas las posibilidades mostradas y siga las siguientes instrucciones antes de ponerse en contacto con un servicio posventa.

La alarma acústica puede desconectarse pulsando cualquier botón.

7.1 Resolución de problemas

| Problema | Posible causa | Posible solución |
|--|--|---|
| El compresor no funciona. | <ul style="list-style-type: none"> El enchufe no está conectado a la toma eléctrica. | <ul style="list-style-type: none"> Conecte el enchufe de corriente. |
| El electrodoméstico funciona con frecuencia o funciona durante demasiado tiempo. | <ul style="list-style-type: none"> La temperatura interior o exterior es demasiado alta. El electrodoméstico ha estado apagado durante un tiempo. La puerta del electrodoméstico no está bien cerrada. La puerta se ha abierto demasiadas veces o durante demasiado tiempo. La temperatura seleccionada es demasiado baja. La junta de la puerta está sucia, desgastada, agrietada o mal emparejada. La circulación de aire requerida no está garantizada. El interior está cubierto de hielo. | <ul style="list-style-type: none"> En este caso, es normal que el electrodoméstico funcione más tiempo. Normalmente, el electrodoméstico tarda de 8 a 12 horas en enfriarse completamente. Cierre la puerta y asegúrese de que el electrodoméstico esté situado en un suelo plano y que no haya alimentos o contenedores que sobresalgan de la puerta. No abra la puerta con demasiada frecuencia. Pongala temperatura más alta hasta que se obtenga una temperatura satisfactoria. La temperatura tarda 24 horas en estabilizarse. Limpie la junta de la puerta o pida al servicio de atención al cliente que la cambie. Garantice una ventilación adecuada. Descongele el electrodoméstico. |
| El electrodoméstico hace un ruido extraño. | <ul style="list-style-type: none"> El electrodoméstico no está situado en suelo plano. El electrodoméstico toca un objeto a su alrededor. El electrodoméstico se encuentra sobre un suelo de madera o cerca de paredes de madera. | <ul style="list-style-type: none"> Nivelar el electrodoméstico. Retire los objetos alrededor del electrodoméstico. La madera amplifica el sonido. Poner el electrodoméstico en otro lugar |
| El electrodoméstico hace un ruido extraño | <ul style="list-style-type: none"> Esto es normal. La causa es el encendido o apagado de la unidad de refrigeración. | <ul style="list-style-type: none"> |
| Se oirá un ligero sonido similar al del agua corriente. | <ul style="list-style-type: none"> Esto es normal. | <ul style="list-style-type: none"> |

| Problema | Posible causa | Posible solución |
|--|---|---|
| El electrodoméstico hace un ruido de motor | <ul style="list-style-type: none"> La unidad de refrigeración se acaba de encender sola. Esto es normal | <ul style="list-style-type: none"> |
| El interior del electrodoméstico no está suficientemente frío. | <ul style="list-style-type: none"> Si la temperatura es demasiado alta. Se han guardado demasiados alimentos a la vez. Se han almacenado alimentos demasiado calientes. Los alimentos están demasiado cerca unos de los otros. La puerta no está bien cerrada. La puerta se ha abierto demasiadas veces o durante demasiado tiempo. | <ul style="list-style-type: none"> Reajuste la temperatura. Enfríe siempre los alimentos antes de guardarlos. Siempre almacene pequeñas cantidades de comida. Deje un espacio entre varios alimentos que permita el flujo de aire. Cierre la puerta. No abra la puerta con demasiada frecuencia. |
| El interior del electrodoméstico está demasiado frío. | <ul style="list-style-type: none"> La temperatura seleccionada es demasiado baja. La función Super Freeze está activada o está funcionando demasiado tiempo. | <ul style="list-style-type: none"> Reajuste la temperatura. Función Super Freeze. |
| La humedad se acumula en la superficie del electrodoméstico. | <ul style="list-style-type: none"> El clima es demasiado cálido y demasiado húmedo. | <ul style="list-style-type: none"> Esto es normal en un clima húmedo y cambiará cuando la humedad disminuya. Secar con un paño. |
| Hielo duro y escarcha en el compartimento del congelador. | <ul style="list-style-type: none"> Los alimentos no estaban adecuadamente envasados. La puerta no está bien cerrada. La puerta se ha abierto demasiadas veces o durante demasiado tiempo. La junta de la puerta está sucia, desgastada, agrietada o mal emparejada. Algo en el interior impide que la puerta se cierre correctamente. | <ul style="list-style-type: none"> Envuelva bien los alimentos siempre. Cierre la puerta. No abra la puerta con demasiada frecuencia. Limpie la junta de la puerta o pida al servicio de atención al cliente que la cambie. Ajuste la posición de los estantes, los estantes de la puerta o los contenedores internos para permitir que la puerta se cierre. |
| El sistema de refrigeración no funciona. | <ul style="list-style-type: none"> El enchufe no está conectado a la toma eléctrica. La fuente de alimentación no está intacta. | <ul style="list-style-type: none"> Conecte el enchufe de corriente. Revise el suministro eléctrico del lugar. ¡Llame a su empresa de suministro eléctrico! |
| Los lados del armario y la tira de la puerta se calientan. | <ul style="list-style-type: none"> Esto es normal. | <ul style="list-style-type: none"> |
| Se oye un pitido de alarma | <ul style="list-style-type: none"> La puerta está abierta La temperatura en el exterior del electrodoméstico es demasiado alta | <ul style="list-style-type: none"> Cierre la puerta o silencie la alarma manualmente. |

| Problema | Posible causa | Posible solución |
|---|---|--|
| La puerta se abre con dificultad. | <ul style="list-style-type: none"> Una vez que el electrodoméstico funciona, tiene un vacío interno. | <ul style="list-style-type: none"> Abra suavemente la junta de la puerta para que entre aire en el electrodoméstico. |
| La puerta no puede cerrarse correctamente. Siempre deja un espacio libre. | <ul style="list-style-type: none"> Debido a la baja temperatura de los electrodomésticos, la junta de la puerta puede endurecerse y deformarse fácilmente. | <ul style="list-style-type: none"> Utiliza un secador de pelo o pon una toalla caliente en el lugar donde se ha deformado la junta. Cuando la junta vuelva a estar blanda, cierre la puerta y comprímala con fuerza. |

7.2 Interrupción de electricidad

En caso de un corte de electricidad, la comida debe permanecer fría durante unas 15 horas. Siga estos consejos durante una interrupción prolongada de la electricidad, especialmente en verano:

- ▶ Abra la puerta el menor número de veces posible.
- ▶ No ponga alimentos adicionales en el congelador durante un corte de electricidad.
- ▶ Si se notifica previamente una interrupción de la energía eléctrica y la duración de la misma es superior a 15 horas, haga un poco de hielo y póngalo en un recipiente en la parte superior del compartimento del congelador.
- ▶ Como la temperatura en el congelador aumentará durante un corte de corriente u otro fallo, el periodo de almacenamiento y la calidad de los alimentos se reducirán. Todo alimento que se descongele debe consumirse o cocinarse y volverse a congelar (cuando proceda) poco después para evitar riesgos para la salud.



Nota: Función de memoria durante la interrupción de la electricidad

Después de la restauración de la energía, el electrodoméstico continúa con los ajustes que se establecieron antes de la interrupción.

7.3 Parámetros y sustitución de la Lámpara LED

Parámetros de la Lámpara LED: 12v, 6w

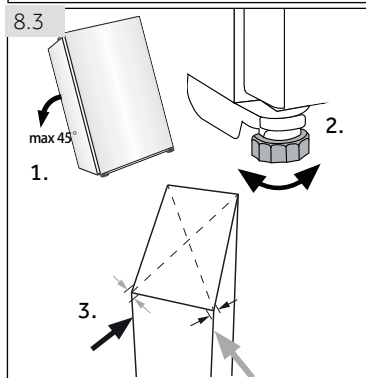
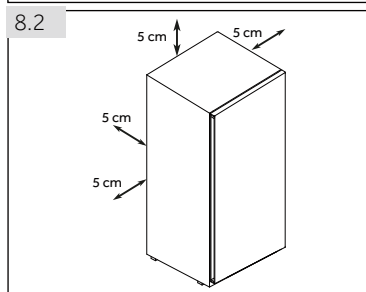
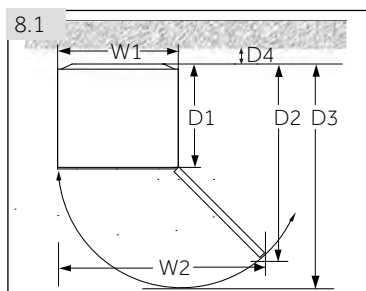
El uso de lámparas LED, bajo consumo de energía, larga vida útil. En caso de anomalía, no desmontar por sí mismo. Por favor, póngase en contacto con el servicio post-venta.

8.1 Desembalaje

- ▶ Saque el electrodoméstico del embalaje.
- ▶ Retire todos los materiales de embalaje.

8.2 Condiciones ambientales

La temperatura ambiente siempre debe estar entre 18°C y 43°C, ya que puede influir en la temperatura interior del electrodoméstico y en su consumo de energía. No instale el electrodoméstico cerca de otros aparatos que emitan calor (hornos, frigoríficos) sin aislamiento.



8.3 Requisitos de espacio

Espacio necesario para abrir la puerta (Fig. 8.1):

| Anchura en mm | | Profundidad en mm | | | Distancia a la pared en mm |
|---------------|------|-------------------|------|------|----------------------------|
| W1 | W2 | D1 | D2 | D3 | D4 |
| 705 | 1076 | 603 | 1243 | 1327 | 50 |

Para dispositivos independientes: Este dispositivo de refrigeración no está destinado a ser utilizado como un dispositivo integrado.

8.4 Sección transversal de ventilación

Para lograr una ventilación suficiente del electrodoméstico por razones de seguridad, se debe respetar la información de las secciones transversales de ventilación requeridas (Fig. 8.2).

PARA un electrodoméstico independiente: este aparato frigorífico se ha diseñado para instalarse como electrodoméstico independiente, no empotrado en un armario.

8.5 Alineación del electrodoméstico

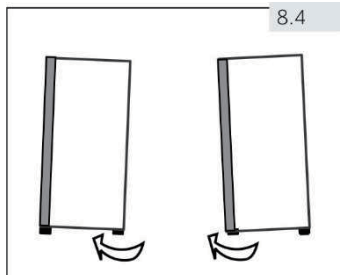
El electrodoméstico debe colocarse en una superficie plana y firme. Si el electrodoméstico se coloca sobre un pedestal, deben utilizarse materiales fuertes y resistentes al fuego. Nunca utilice el material de embalaje de espuma como pedestal.

1. Incline el electrodoméstico ligeramente hacia atrás (Fig. 8.3).
2. Ajuste las patas en el nivel deseado.
3. La estabilidad puede comprobarse por medio de golpes alternos en las diagonales. El ligero balanceo debe ser el mismo en ambas direcciones. De lo contrario, el marco se puede deformar; el resultado son posibles fugas en las juntas de las puertas. Una leve inclinación hacia atrás facilita el cierre de las puertas.

8.6 Utilización de patas ajustables

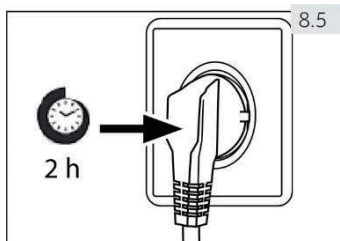
Si el congelador es inestable, se pueden ajustar las patas: Gire las patas ajustables según la dirección de la flecha (Fig. 8.4) para subirlas o bajarlas:

- ▶ Gire las patas en el sentido de las agujas del reloj para levantar el electrodoméstico.
- ▶ Gire las patas en sentido contrario a las agujas del reloj para bajar.



8.7 Tiempo de espera

Para el aceite de lubricación sin mantenimiento que se encuentra en la cápsula del compresor. Este aceite puede pasar por el sistema de tuberías cerradas durante el transporte inclinado. Antes de conectar el electrodoméstico a la fuente de alimentación, debe esperar al menos 2 horas (Fig. 8.5) para que el aceite vuelva a la cápsula.



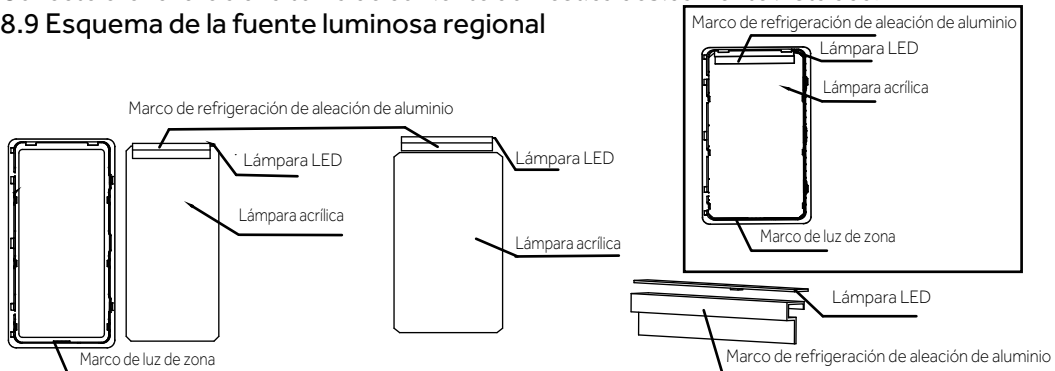
8.8 Conexión eléctrica

Antes de cada conexión, compruebe que:

- ▶ La alimentación, la toma y el fusible son apropiados según la placa de datos.
- ▶ La toma de corriente está conectada a tierra y no hay regletas eléctricas ni alargos.
- ▶ El enchufe y la toma de corriente cumplen estrictamente las normas.

Conecte el enchufe a una toma de corriente doméstica debidamente instalada.

8.9 Esquema de la fuente luminosa regional



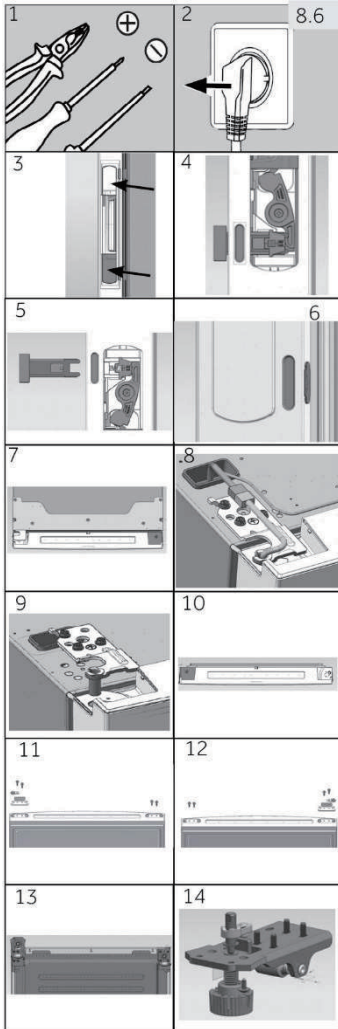
Presione el botón para separar el marco de la luz de área de la luz de área

Retire la cinta adhesiva de aluminio a ambos lados del marco de refrigeración de aleación de aluminio, y luego retire el marco de refrigeración de aleación de aluminio

Separar la Lámpara LED y el marco de disipación de calor de aleación de aluminio (conexión de pegamento de doble cara)

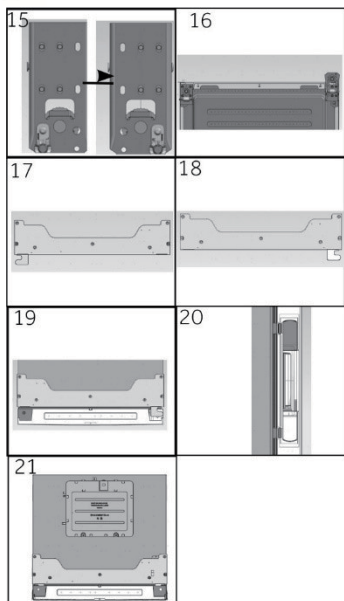
8.10 Reversibilidad de la puerta

Antes de conectar el electrodoméstico a la red eléctrica, compruebe si el giro de la puerta debe cambiarse de la izquierda (tal como se entrega) a la derecha, si así lo requiere el lugar de instalación y la facilidad de uso.



Pasos de montaje (Fig. 8.6):

1. Proporcione la herramienta necesaria.
2. Desenchufe el electrodoméstico.
3. Abra las tapas de las manijas superior e inferior del lado derecho de la puerta.
4. Levante ligeramente el deslizador blanco.
5. Saque las 2 varillas de empuje y vuelva a colocar la tapa de la manija.
6. Retire los 2 tapones de goma del lado izquierdo de la puerta y colóquelos con las varillas de empuje retiradas durante el paso 20.
7. Retire 7 tornillos y la tapa de la bisagra. Tenga cuidado de no romper el cable de la puerta.
8. Desenchufe el cable de conexión.
9. Retire los 3 tornillos de la bisagra y la bisagra superior izquierda, y retire la puerta con cuidado.
10. Coloque una caja de cartón o un paño debajo de la puerta y coloque la puerta en posición horizontal. Retire la cubierta del extremo derecho de la puerta, tome la cubierta del extremo izquierdo de la bolsa de accesorios. Instálela en la parte superior izquierda de la puerta.
11. Retire 2 tornillos en la parte inferior derecha de la puerta. Retire 2 tornillos. Tope de la puerta y cubrepernos en la parte inferior izquierda de la puerta.
12. Tome el tope de la puerta del último paso y el cubrepernos derecho de la bolsa de accesorios, fíjelos con 2 tornillos. Fije 2 tornillos también en la parte inferior derecha de la puerta.
13. Ponga la parte trasera del armario hacia abajo después de colocar almohadillas más gruesas en el suelo. Retire 4 tornillos y la bisagra inferior.
14. Desenrosque el cubre-pernos.



15. Coge el cubre-pernos derecho de la bolsa de accesorios. Fíjelo con un tornillo.
16. Intercambie la posición de la placa de la ruedecilla y la bisagra inferior después de la sustitución.
17. Desmonte la tapa de la bisagra pequeña izquierda y la tapa de la bisagra de la cubierta de la bisagra.
18. Cambie la tapa de la bisagra al otro lado y tome la tapa pequeña de la bisagra derecha de la bolsa de accesorios. Instálela en la cubierta de la bisagra.
19. Monte la puerta, instale la bisagra izquierda, enchufe el cable de conexión y fije la tapa de la bisagra con tornillos.
20. 20. Instale la varilla de empuje extraída en el lado izquierdo de la puerta y, a continuación, inserte los tapones de goma en el orificio de la varilla de empuje de la manilla en el lado derecho de la puerta.
21. Acabado.

La garantía mínima es: 2 años para los países de la UE, 3 años para Turquía, 1 año para el Reino Unido, 1 año para Rusia, 3 años para Suecia, 2 años para Serbia, 5 años para Noruega, 1 año para Marruecos, 6 meses para Argelia, en Túnez no se requiere garantía legal.

Los termostatos, sensores de temperatura, placas de circuitos impresos y fuentes de luz están disponibles durante un período mínimo de siete años después de la comercialización de la última unidad del modelo. Manijas de la puerta, bisagras de puerta, bandejas y cestas durante un periodo mínimo de siete años y juntas de puerta durante un periodo mínimo de 10 años, tras la comercialización de la última unidad del modelo.

Para obtener más información sobre el producto, consulte

<https://eprel.ec.europa.eu/> o escanee el QR de la etiqueta de energía suministrada con el electrodoméstico.

Para ponerse en contacto con el servicio de asistencia técnica, visite nuestra página web:

<https://corporate.haier-europe.com/en/>

En la sección "websites", elija la marca de su producto y su país.

Se le redirigirá a la página web específica donde encontrará el número de teléfono y el formulario para ponerse en contacto con el servicio de asistencia técnica.

| | | |
|---|---------------------|----------|
| Marca comercial | Haier | |
| Identificador del modelo | H2F385*F | H2F385*D |
| Categoría del modelo | Congelador vertical | |
| Clase de eficiencia energética | F | D |
| Consumo anual de energía (kWh/año) ¹⁾ | 356 | 228 |
| Enfriamiento de volumen de almacenamiento (l) | no aplicable | |
| Congelación de volumen de almacenamiento (l) **** | 386 | |
| Número de estrellas | **** | |
| Temperatura de otros compartimentos > 14°C | no aplicable | |
| Sistema no frost | sí | |
| Corte de energía seguro (h) | 11.5 | 11.5 |
| Capacidad de congelación (kg/24 h) | 19.5 | 19.5 |
| Clase climática Este electrodoméstico está destinado a ser utilizado a una temperatura ambiente de entre 10°C y 43°C. | SN-T | |
| Emisiones de ruido acústico aéreo en (dB(A)) | 39 | |
| Tipo | independiente | |

1) basado en los resultados de pruebas estándar de 24 horas. El consumo real de energía dependerá del uso y ubicación del aparato de refrigeración

En cuanto a los detalles de las especificaciones, consulte la placa de datos y la etiqueta de energía del interior del producto.

Este electrodoméstico está destinado a ser utilizado a una temperatura ambiente como se indica abajo:

| | |
|----|--------------|
| SN | + 10°C~+32°C |
| N | + 16°C~+32°C |
| ST | + 16°C~+38°C |
| T | + 16°C~+43°C |

11.2 Datos técnicos adicionales

| | |
|---|------------------|
| Voltaje / frecuencia | 220-240V ~/ 50Hz |
| Corriente nominal (A) | 1.5 |
| Refrigerante | R600a |
| Dimensiones (altura, ancho y profundidad en cm) | 172,5/70,5/69,1 |

H2F385*F/*D_ES

Haier



Gebruikershandleiding

Vrijstaande vriezer

H2F385*F

H2F385*D

* - Colour code

NL

Haier

Dank u voor uw aankoop van dit Haier product.

Lees deze handleiding zorgvuldig door voordat u dit apparaat in gebruik neemt. De handleiding bevat belangrijke informatie die u zal helpen uw apparaat optimaal te gebruiken en het veilig en correct te installeren, gebruiken en onderhouden.

Bewaar deze handleiding zodat u hem steeds kunt raadplegen voor een veilig en correct gebruik van het apparaat.

Als u het apparaat verkoopt, wegschenkt of achterlaat wanneer u verhuist, moet u deze handleiding ook meegeven zodat de nieuwe eigenaar vertrouwd kan raken met het apparaat en de veiligheidswaarschuwingen.

WAARSCHUWING: Brandgevaar/ontvlambaar materiaal. Het symbool geeft aan dat er brandgevaar bestaat omdat ontvlambare materialen worden gebruikt. Zorg ervoor dat u geen brand veroorzaakt door het ontsteken van ontvlambaar materiaal.

Legende



Algemene informatie en tips



Waarschuwing - Belangrijke veiligheidsinformatie



Milieu-informatie



Verwijdering

Help het milieu en de gezondheid te beschermen. Plaats de verpakking in de geschikte containers om het te recyclen. Help afval van elektrische en elektronische apparaten recyclen. Gooi apparaten die voorzien zijn van dit symbool niet weg met huishoudelijk afval. Retourneer het product naar uw lokale instelling of neem contact op met uw gemeentelijk kantoor.



Waarschuwing!

Risico op letsels of verstikking!

Koelmiddelen en gassen moeten door professionals worden verwijderd. Zorg ervoor dat de leiding van het koelcircuit niet beschadigd is voor het correct verwijderd wordt. Ontkoppel het apparaat van het netwerk. Snijd het netsnoer door en verwijder het. Verwijder de deur, de scharnieren en afdichtingen om te vermijden dat kinderen of huisdieren in het apparaat vastgeklemd kunnen raken.

| | |
|--------------------------------|----|
| 1 - Veiligheid..... | 4 |
| 2- Beoogd gebruik..... | 11 |
| 3- Productbeschrijving..... | 12 |
| 4- Gebruik..... | 13 |
| 5- Uitrusting..... | 17 |
| 6- Onderhoud en reiniging..... | 18 |
| 7- Probleemoplossing..... | 20 |
| 8-Installatie..... | 23 |
| 9- Technische gegevens..... | 27 |

Lees de volgende veiligheidswaarschuwingen voordat u het apparaat voor de eerste keer inschakelt!



WAARSCHUWING!

Vóór de eerste ingebruikname

- ▶ Ga na of er geen schade is opgetreden tijdens het transport.
- ▶ Verwijder al het verpakkingsmateriaal en houd dit buiten het bereik van kinderen.
- ▶ Wacht minimaal 2 uur voor u het apparaat installeert, om zeker te zijn dat het koelcircuit correct en efficiënt werkt.
- ▶ Het apparaat moet altijd door minstens twee personen worden gedragen, want het is zwaar.

Installatie

- ▶ Het apparaat moet op een goed geventileerde plaats worden gezet. Zorg voor minstens 5 cm vrije ruimte boven en rond het apparaat.
- ▶ **WAARSCHUWING:** Houd de ventilatieopeningen in het apparaat of de ingebouwde structuur vrij van belemmeringen.
- ▶ Plaats het apparaat nooit in een vochtige ruimte of op een plek waar de kans bestaat dat er water op wordt gespat. Neem vlekken weg en droog waterspatten af met een zachte, schone doek.
- ▶ Het apparaat mag niet in direct zonlicht of in de buurt van warmtebronnen worden gezet (bijv. fornuizen, verwarming).
- ▶ Installeer het apparaat en zet het goed vlak in een ruimte die geschikt is voor de afmetingen en de toepassing van het apparaat.
- ▶ Zorg ervoor dat de elektrische informatie op het typeplaatje overeenstemt met de stroomtoevoer. Zo niet, neem dan contact op met een elektricien.
- ▶ Het apparaat werkt met een voeding van 220-240 VAC/50 Hz.
- ▶ Abnormale spanningsschommelingen kunnen ertoe leiden dat het apparaat niet start, of dat de temperatuurregeling of de compressor beschadigd worden, of er kan een abnormaal geluid ontstaan tijdens de werking. In een dergelijk geval moet een automatische regelaar gemonteerd worden.
- ▶ Gebruik geen multi-stekker adapters of verlengsnoeren.
- ▶ **WAARSCHUWING:** Plaats geen meervoudige stopcontacten of draagbare voedingen aan de achterzijde van het apparaat.
- ▶ **WAARSCHUWING:** Zorg er bij het plaatsen van het apparaat voor dat het netsnoer niet vastgeklemd of beschadigd raakt.
- ▶ Ga niet op het netsnoer staan.
- ▶ Zorg ervoor dat het netsnoer niet geklemd zit onder de vriezer.
- ▶ Dek ventilatieopeningen niet af.
- ▶ Gebruik voor de stroomvoorziening een apart geaard stopcontact dat gemakkelijk bereikbaar is. Het apparaat moet geaard zijn.



WAARSCHUWING!

- ▶ **WAARSCHUWING:** Beschadig het koelmiddelcircuit niet.

Dagelijks gebruik

- ▶ Dit apparaat mag gebruikt worden door kinderen ouder dan 8 jaar en personen met een lichamelijke, zintuiglijke of verstandelijke beperking of gebrek aan ervaring en kennis als zij in de gaten gehouden worden of aanwijzingen hebben gekregen over hoe zij het apparaat op veilige wijze kunnen gebruiken en als zij de bijbehorende gevaren begrijpen.
- ▶ Kinderen mogen niet met het apparaat spelen.
- ▶ Kinderen van 3 tot en met 8 jaar mogen koelapparatuur in - en uitladen, maar mogen de koelapparatuur niet reinigen en installeren.
- ▶ Houd het apparaat uit de buurt van kinderen jonger dan 3 jaar oud tenzij ze onder constant toezicht staan.
- ▶ Reiniging en onderhoudswerkzaamheden mogen niet door kinderen uitgevoerd worden als zij niet onder toezicht staan.
- ▶ Het apparaat moet zo worden geplaatst dat de stekker bereikbaar is. Als er kolengas of ander brandbaar gas in de buurt van het apparaat lekt, draai dan de kraan van het lekkende gas dicht, open deuren en ramen en haal de stekker van de vriezer of andere apparaten niet uit het stopcontact of doe hem er niet in.
- ▶ Het apparaat is afgesteld voor gebruik bij een omgevingstemperatuur tussen 10 °C en 43°C. Het apparaat werkt mogelijk niet goed als het lange tijd op een temperatuur buiten het aangegeven bereik wordt gelaten.
- ▶ Plaats geen instabiele voorwerpen (zware voorwerpen, recipiënten gevuld met water) op de vriezer, om persoonlijk letsel door vallen of een elektrische schok door contact met water te voorkomen.
- ▶ Berg geen ontvlambaar, explosief of corrosief materiaal op in het apparaat of in de buurt ervan.
- ▶ U mag het apparaat niet bij de handgrepen dragen.
- ▶ Plaats het apparaat nooit horizontaal op de grond wanneer het verplaatst wordt. Verwijder vóór elke handeling eerst de stekker uit het stopcontact.
- ▶ Kantel het apparaat niet meer dan 45° om beschadiging van het koelsysteem te voorkomen bij het verplaatsen van het apparaat.
- ▶ Haal de stekker uit het stopcontact in geval van een stroomonderbreking of alvorens te reinigen. Wacht minstens 7 minuten alvorens het apparaat weer te starten, want veelvuldig opstarten kan schadelijk zijn voor de compressor.
- ▶ Controleer de toestand van het voedsel als er opwarming in de vriezer heeft plaatsgevonden.
- ▶ Op koelmodus zonder 4-sterrencompartiment: dit koelapparaat is niet geschikt voor het invriezen van levensmiddelen; op vriesmodus met een 4-sterrencompartiment is dit vriesapparaat niet geschikt voor het koelen van levensmiddelen.



WAARSCHUWING!

- ▶ Trek niet aan de deurrekken. De deur kan scheef getrokken worden, de deurrekken kunnen weggetrokken worden of het apparaat kan omvallen.
- ▶ Open en sluit de deur alleen aan de handgrepen. De ruimte tussen de deur en de kast is erg smal. Steek uw handen niet in deze gebieden, om te voorkomen dat uw vingers bekneld raken. Open of sluit de deuren van het apparaat alleen wanneer er zich geen kinderen binnen het bereik van de deurbeweging bevinden.
- ▶ Bewaar nooit bier of drank in flessen in de vriezer, want die barsten tijdens het invriezen.
- ▶ Bewaar geen explosieve stoffen zoals spuitbussen met een ontvlambaar drijfgas in dit apparaat.
- ▶ Bewaar geen medicijnen, bacteriën of chemische stoffen in het apparaat. Dit apparaat is een huishoudelijk apparaat. Het wordt niet aanbevolen om materialen op te slaan die strikte temperaturen vereisen.
- ▶ Bewaar nooit vloeistoffen in flessen of blikjes (behalve drank met een hoog alcoholpercentage) en vooral geen koolzuurhoudende dranken in de vriezer, omdat deze tijdens het invriezen kunnen barsten.
- ▶ Stel geen onnodig lage temperatuur voor het vriesvak in. Negatieve temperaturen kunnen optreden bij hoge instellingen. Let op: Flessen kunnen barsten.
- ▶ Raak geen ingevroren etenswaren aan met natte handen (draag handschoenen). Eet vooral geen ijslolly's direct na verwijdering uit het vriesvak. Het risico bestaat dat uw tong bevroert of vorstblaren gevormd worden. EHBO: onmiddellijk onder stromend water houden. Niet wegtrekken!
- ▶ Raak de binnenzijde van vriesvak niet aan als het in werking is, in het bijzonder als uw handen nat zijn, want uw handen kunnen vastvriezen aan het oppervlak.
- ▶ **WAARSCHUWING:** Gebruik geen elektrische apparaten in de opbergvakken voor etenswaren van het apparaat, tenzij ze van het type zijn dat wordt aanbevolen door de fabrikant.
- ▶ **WAARSCHUWING:** De lampen kunnen alleen door de fabrikant worden vervangen, samen met een deel van het apparaat.
- ▶ **WAARSCHUWING:** Als u niet zeker bent van het type koelmiddel, raadpleeg dan het typeplaatje in de unit. Het is gevaarlijk voor iemand anders dan een bevoegd onderhoudspersoon om dit apparaat te onderhouden. In Queensland MOET de bevoegde onderhoudspersoon een vergunning voor gaswerkzaamheden met koolwaterstofhoudende koelmiddelen hebben om onderhoud of reparaties uit te voeren waarbij afdekkingen worden verwijderd.



WAARSCHUWING!

Onderhoud / reiniging

- ▶ Zorg dat kinderen onder toezicht staan wanneer ze het apparaat schoonmaken of onderhouden.
- ▶ Koppel de elektrische voeding van het apparaat af voordat er routineonderhoud wordt verricht. Wacht minstens 7 minuten alvorens het apparaat weer te starten, want veelvuldig opstarten kan schadelijk zijn voor de compressor.
- ▶ Trek aan de stekker en niet aan het snoer wanneer u de stekker van het apparaat uit het stopcontact haalt.
- ▶ Reinig het apparaat niet met harde borstels, staalborstels, schoonmaakpoeder, benzine, amylacetaat, aceton en soortgelijke organische oplossingen, zure of alkalische oplossingen. Reinig met een speciaal reinigingsmiddel voor vriezers om schade te voorkomen.
- ▶ Schraap aanslag en ijs niet weg met scherpe voorwerpen. Gebruik geen sprays, elektrische verwarmingen, haardrogers, stoomreinigers of andere hittebronnen, om schade aan de kunststof onderdelen te vermijden.
- ▶ **WAARSCHUWING:** Gebruik geen mechanische apparaten of andere middelen om het ontdooien te versnellen, behalve degene die worden aanbevolen door de fabrikant.
- ▶ Als het netsnoer beschadigd is, moet het worden vervangen door de fabrikant, zijn servicevertegenwoordiger of ander bevoegd personeel om gevaarlijke situaties te voorkomen.
- ▶ Probeer niet om het apparaat zelf te repareren, uit elkaar te halen of te wijzigen. Neem voor reparaties contact op met de klantenservice.
- ▶ Neem stof aan de achterkant van het apparaat minstens eenmaal per jaar weg, om brandgevaar en een verhoogd energieverbruik te voorkomen.
- ▶ Spuit of spoel het apparaat niet tijdens het schoonmaken.
- ▶ Gebruik geen waternevel of stoom om het apparaat schoon te maken.
- ▶ Reinig de koude glazen schappen of glazen deur niet met heet water. Door het plotselinge temperatuurverschil kan het glas breken.
- ▶ Haal de stekker uit het stopcontact voordat u het apparaat schoonmaakt.
- ▶ In geval van verwarming moet u de toestand van ingevroren etenswaren controleren.
- ▶ Vóór onderhoudswerkzaamheden moet u het apparaat uitschakelen en de stekker uit het stopcontact verwijderen.
- ▶ Elektrische apparaten mogen uitsluitend door gekwalificeerde elektrische experts worden onderhouden. Incorrecte reparaties kunnen aanzienlijke gevolgschade veroorzaken.

Informatie over koelgas



WAARSCHUWING!

Onderhoud / reiniging

Het apparaat bevat het ontvlambare koelmiddel ISOBUTAAN (R600a). Zorg ervoor dat het koelcircuit niet beschadigd is tijdens het transport of de installatie. Lekkend koelmiddel kan oogletsel veroorzaken ogen of ontvlammen. Als er schade is opgetreden: houd open vuurbronnen uit de buurt, ventileer de ruimte grondig, trek de stekker van het apparaat of andere apparaten niet uit het stopcontact en doe de stekker er ook niet in. Licht de klantendienst in.

Indien de ogen in contact komen met het koelmiddel, moeten deze onmiddellijk uitgespoeld worden onder stromend water en moet onmiddellijk de oogarts gewaarschuwd worden.

WAARSCHUWING: Het koelsysteem staat onder hoge druk. Knoei er niet mee. Aangezien er ontvlambare koelmiddelen worden gebruikt, dient u het apparaat strikt volgens de instructies te installeren, te hanteren en te onderhouden en contact op te nemen met een vakman of onze aftersales service om het apparaat te verwijderen.



WAARSCHUWING!

- ▶ Zorg ervoor dat u geen brand veroorzaakt door het ontsteken van ontvlambaar materiaal.
- ▶ **WAARSCHUWING:** Zorg er bij het plaatsen van het apparaat voor dat het netsnoer niet vastgeklemd of beschadigd raakt.
- ▶ **WAARSCHUWING:** Plaats geen meervoudige stopcontacten of draagbare voedingen aan de achterzijde van het apparaat.
- ▶ Bewaar geen explosieve stoffen zoals spuitbussen met een ontvlambaar drijfgas in dit apparaat.
- ▶ Omdat in de vriezer brandbare koelmiddelen worden gebruikt, dient u voorzichtig te zijn bij het installeren, hanteren, bedienen en recyclen van het apparaat.
- ▶ Neem contact op met de servicedienst om het apparaat af te voeren omdat brandbaar blaasgas is gebruikt.

Beoogd gebruik

Dit apparaat is bedoeld voor huishoudelijk gebruik en soortgelijke toepassingen zoals:

- de personeelskeuken in winkels, kantoren en andere werkomgevingen;
- landbouwbedrijven en klanten in hotels, motels en andere woonomgevingen;
- B&B's en soortgelijke omgevingen;
- catering- en soortgelijke non-retail-toepassingen.

▶ Als het apparaat gedurende langere tijd niet wordt gebruikt.

- Verwijder de etenswaren.
- Koppel het netsnoer los.
- Reinig het apparaat zoals hierboven beschreven.
- Houd de deuren open om het ontstaan van onaangename geuren te voorkomen.

▶ Neem deze instructies in acht om te verzekeren dat levensmiddelen veilig worden geconserveerd.

▶ Informatie over het meest geschikte deel in het compartiment van het apparaat om specifieke soorten voedsel op te slaan, gezien de temperatuurverdeling die in de verschillende compartimenten van het apparaat kan optreden, is te vinden in het andere deel van de handleiding.

▶ Om besmetting van levensmiddelen te voorkomen dienen de volgende instructies in acht te worden genomen:

- Het langdurig openen van de deur kan leiden tot een aanzienlijke verhoging van de temperatuur in de compartimenten van het apparaat.
- Reinig regelmatig oppervlakken die in contact kunnen komen met levensmiddelen en toegankelijke afvoersystemen.
- Bewaar rauw vlees en vis in geschikte recipiënten in de vriezer, zodat deze niet in contact komen met of druipen op ander voedsel.
- Vriesvakken met twee sterren zijn geschikt voor het bewaren van ingevroren voedsel, het bewaren of maken van ijs en het maken van ijsblokjes.

- Vriesvakken met één, twee of drie sterren zijn niet geschikt voor het invriezen van vers voedsel.
- Als het koelapparaat gedurende lange tijd leeg is, moet u het uitschakelen, ontdooien, reinigen, drogen en de deur open laten om schimmelvorming in het apparaat te voorkomen.

Verwijdering



Het  symbool op het product of op de verpakking ervan geeft aan dat dit product niet behandeld mag worden als huishoudelijk afval. In plaats daarvan moet het naar een geschikt inzamelpunt worden gebracht voor de recycling van elektrische en elektronische apparatuur. Door ervoor te zorgen dat dit product correct wordt afgevoerd, helpt u mogelijke negatieve gevolgen voor het milieu en de volksgezondheid te voorkomen, die anders veroorzaakt kunnen worden als dit product op de verkeerde manier als afval wordt verwerkt. Voor meer gedetailleerde informatie over de recycling van dit product kunt u contact opnemen met uw gemeente, uw huisvuilverwerkingsbedrijf of de winkel waar u het product hebt gekocht.

Aangezien er ontvlambare blaasgassen zijn gebruikt voor de isolatie, gelieve contact op te nemen met een vakman of onze aftersales service wanneer het apparaat als afval moet worden afgevoerd.

WAARSCHUWING!

Risico op letsels of verstikking!

Koelmiddelen en gassen moeten op professionele wijze verwijderd worden. Zorg ervoor dat de leiding van het koelcircuit niet beschadigd raakt voordat het apparaat correct verwijderd wordt. Koppel het apparaat los van het net. Snijd het netsnoer door en verwijder het. Verwijder de schappen en laden, alsook de deurvergrendeling en afdichtingen, om te voorkomen dat kinderen of huisdieren in het apparaat opgesloten kunnen raken.

2.1 Beoogd gebruik

Dit apparaat is bedoeld voor huishoudelijk gebruik en soortgelijke toepassingen zoals:

- de personeelskeuken in winkels, kantoren en andere werkomgevingen;
- landbouwbedrijven en klanten in hotels, motels en andere woonomgevingen;
- B&B's en soortgelijke omgevingen;
- catering- en soortgelijke non-retail-toepassingen.

Dit apparaat is bedoeld voor het invriezen van voedsel. Het is uitsluitend ontworpen voor gebruik in droge binnenverblijven. Het is niet bestemd voor commercieel of industrieel gebruik.

Wijzigingen of aanpassingen aan het apparaat zijn niet toegestaan. Onbedoeld gebruik kan leiden tot risico's en verlies van garantieaanspraken.

2.2 Accessoires

Controleer de accessoires en documentatie op basis van deze lijst:

2.2



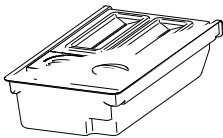
Energie-
label



Garantiekaart



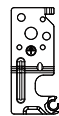
Gebruikershandleiding



IJsmaker en ijslepel



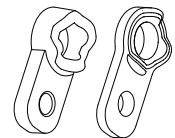
Afdekking
bekleding
linksboven



Scharnier rechtsboven
voor omkeerbare deur



Scharnierafdekking
rechtsboven



Asafdekkingen

i Opmerking: Verschil

Vanwege technische wijzigingen en uiteenlopende modellen kunnen de illustraties in deze handleiding verschillen van uw model.



- | | | | |
|---|-------------------------|---|------------------------|
| 1 | Led-verlichting | 6 | Verstelbare deurrekken |
| 2 | Luchtkanaalafdekking | 7 | Typeplaat |
| 3 | Glazen schappen | 8 | Deurhandgreep |
| 4 | Diepvriesvoorraadbakken | 9 | Twist ijsmaker |
| 5 | Verstelbare pootjes | | |

Opmerking: Dit product bevat een lichtbron van energie-efficiëntieklasse <G>.

4.1 Vóór het eerste gebruik

- ▶ Verwijder alle verpakkingsmaterialen, houd ze buiten het bereik van kinderen en gooi ze op een milieuvriendelijke manier weg.
- ▶ Maak de binnen- en buitenkant van het apparaat schoon met water en een mild afwasmiddel voordat u er voedsel in legt.
- ▶ Nadat het apparaat waterpas is gezet en gereinigd, dient minstens 2 uur te worden gewacht voordat het apparaat op de stroomtoevoer mag worden aangesloten. Zie het deel **INSTALLATIE**.
- ▶ Koel het compartiment gedurende 2 uur op een hoge stand voordat u er voedsel in plaatst. De functie Super Freeze helpt om het compartiment snel te koelen.



Verschillende soorten levensmiddelen moeten op verschillende plaatsen worden bewaard, afhankelijk van hun eigenschappen (Afb. 4.1).

Het vriesvak wordt aanbevolen om vlees, vis, pizza en andere bevroren voedingsmiddelen op te slaan.

Etenswaaren kunnen in de vriezer worden bewaard bij een temperatuur van ten minste -18°C gedurende 2 tot 12 maanden, afhankelijk van de eigenschappen ervan (bijv. vlees: 3-12 maanden, groenten: 6-12 maanden)

Om te voorkomen dat de bewaarperioden verstrijken, moet u de invriesdatum, tijdslijm en de naam van de etenswaaren noteren op de verpakking in overeenstemming met de bewaarperioden van verschillende etenswaaren

4.2 Het apparaat in-/uitschakelen

Het apparaat treedt in werking zodra het wordt aangesloten op de stroomtoevoer.

- ▶ De vriezertemperatuur wordt automatisch ingesteld op -18°C . Dit is de aanbevolen instelling en de ideale temperatuur voor diepvriesproducten. Indien gewenst kunt u de temperatuur handmatig wijzigen. Zie **INSTELLING VAN DE TEMPERATUUR**.



Opmerking: Voorinstellingen

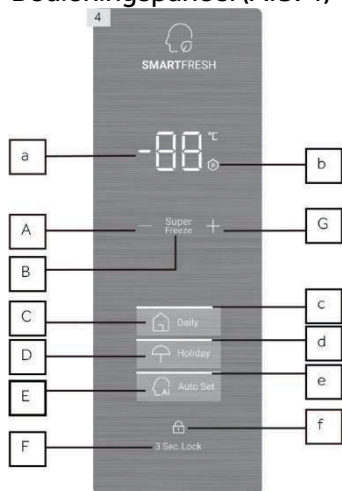
1. Het apparaat is vooraf ingesteld op de aanbevolen temperatuur van -18°C . Onder normale omgevingsomstandigheden hoeft u de temperatuur niet te wijzigen.
2. Wanneer het apparaat wordt ingeschakeld nadat het vandestroom is losgekoppeld, kan het tot 12 uur duren voordat de juiste temperatuur is bereikt.

Maak het apparaat leeg voordat u het uitschakelt. Haal het netsnoer uit het stopcontact om het apparaat uit te schakelen.

4.3 Standby-modus van het display

Wanneer de deur gesloten is, schakelt het display na meer dan 30 seconden zonder bediening automatisch uit. Het display vergrendelt automatisch. Het gaat automatisch branden als er op een toets wordt gedrukt of de deur geopend wordt.

4.4 Bedieningspaneel (Afb. 4)

**Beschrijving pictogrammen**

- a: Pictogram temperatuurweergave
- b: Pictogram Super Freeze
- c: Pictogram Daily-functie
- d: Pictogram Holiday
- e: Pictogram Auto Set
- f: Slotpictogram

Beschrijving toetsen

- A: Insteltoets lagere temperatuur: Druk hierop om de temperatuur te verlagen
- B: Toets Super Freeze: Druk hierop om de Super Freeze-functie in te schakelen
- C: Toets Daily-functie: Druk hierop om de Daily-functie in te schakelen
- D: Toets Holiday: Druk hierop om de Holiday-functie in te schakelen
- E: Toets Auto Set: Druk hierop om de Auto Set-functie in te schakelen
- F: Vergrendeltoets: Druk 3 seconden in om te vergrendelen of te ontgrendelen
- G: Insteltoets hogere temperatuur: Druk hierop om de temperatuur te verhogen

4.5 Vergrendelen en ontgrendelen van het display

Automatische vergrendeling

Het bedieningspaneel kan automatisch de vergrendelfunctie inschakelen. Het display wordt automatisch vergrendeld na 30 seconden zonder bediening.

Handmatige vergrendeling

Wanneer het display ontgrendeld is, drukt u op 'Lock' (F) en houdt u deze 3 seconden ingedrukt. Na een pieptoon licht het pictogram 'Lock' (f) op en wordt het display vergrendeld. Wanneer het display is vergrendeld, drukt u op 'Lock 11' (F) en houdt u deze 3 seconden ingedrukt. Na een pieptoon gaat het pictogram '11 Lock 11' (f) uit en is het display ontgrendeld.

i Opmerking: Displayvergrendeling

Wanneer het display is vergrendeld, zijn functies zoals temperatuurinstelling of functie-instelling uitgeschakeld. Wanneer de bovenstaande handeling wordt uitgevoerd, knippert het pictogram 'Lock' (f) 3 keer om u eraan te herinneren dat het display is vergrendeld.

4.6 Instelling van de temperatuur

Het temperatuurbereik van deze vriezer kan worden ingesteld tussen -14°C en -24°C . Wanneer het display ontgrendeld is, drukt u in de dagelijkse functie op 'Temperatuurinstelling verlagen' (A). Na een pieptoon begint het pictogram 'Temperatuurdisplay' (a) te knipperen en komt u in de temperatuurinstelmodus. Telkens wanneer u op 'Temperatuurinstelling verlagen' (A) drukt, klinkt de zoemer en wordt de temperatuur met 1°C verlaagd, terwijl de laagste waarde -24°C is. Nadat de temperatuur is ingesteld, wordt de ingestelde temperatuurwaarde bepaald en stopt met knipperen na 5 seconden zonder bediening.

Nadat het display ontgrendeld is, drukt u bij de Daily-functie op 'Temperatuurinstelling verhogen' (G). Na een pieptoon begint het pictogram 'Temperatuurweergave' (a) te knipperen en komt u in de temperatuurinstelmodus. Telkens wanneer u op 'Temperatuurinstelling verhogen' (G) drukt, klinkt de zoemer en wordt de temperatuur met 1°C verhoogd, tot -14°C . Nadat de temperatuur is ingesteld, wordt de ingestelde temperatuurwaarde bepaald en stopt pictogram (a) met knipperen na 5 seconden zonder bediening.

4.7 Daily-functie (C)

Het apparaat staat in de Daily-functie zodra het voor de eerste keer op de stroomvoorziening wordt aangesloten en het pictogram 'Daily' (C) gaat branden. Alleen in deze functie kan de temperatuur worden ingesteld.

4.8 Super Freeze-functie (B)

De Super Freeze-modus is optimaal voor het behoud van de voedingswaarde van voedsel en kan voedsel in minder tijd invriezen. Voordat u veel voedsel in de vriezer plaatst, activeert u de functie Super Freeze om de temperatuur te verlagen, voor een beter invriesresultaat.

Wanneer het display ontgrendeld is, gaat bij het aanraken van 'Super Freeze' (B) het pictogram Super Freeze branden en werkt de vriezer in de Super Freeze-modus. Herhaal bovenstaande stappen om de Super Freeze-functie handmatig te verlaten. Anders wordt de functie automatisch uitgeschakeld na 50 uur.

Als u een grote hoeveelheid voedsel in één keer wilt invriezen, is het raadzaam de functie 24 uur vóór het plaatsen van het voedsel in te schakelen. De functie stopt automatisch na 50 uur of handmatig. Het stroomverbruik zal toenemen wanneer deze functie is ingeschakeld.

In de Super Freeze-modus varieert de bedrijfstemperatuur van de vriezer, afhankelijk van de hoeveelheid voedsel en de omgevingsomstandigheden. De temperatuur in het vriesvak kan tot -37°C worden verlaagd.



Opmerking: Super Freeze

1. In de Super Freeze-modus kan de temperatuur niet worden aangepast. Als u dat wel probeert, gaat het pictogram Super Freeze 3 keer knipperen om u eraan te herinneren dat de vriezer in de Super Freeze-modus staat.
2. In de Super Freeze-modus, als de functie Auto Set of Holiday is ingesteld, gaat 'Super Freeze' (b) uit, de Super Freeze-functie wordt automatisch verlaten en de functie Auto Set of Holiday wordt ingeschakeld.

4.9 Holiday-functie (D)

Wanneer het display ontgrendeld is, gaat bij het aanraken van 'Holiday' (B) het pictogram Holiday branden en werkt de vriezer in de Holiday-functie. Als u in de Holiday-modus op 'Holiday' (D) drukt, gaat het pictogram Holiday (d) uit en verlaat de vriezer de Holiday-functie. In de Holiday-modus, als de temperatuur vóór activering van deze modus hoger is dan -18°C , dan wordt de temperatuur na activering automatisch ingesteld op -18°C ; als de temperatuur vóór activering van deze modus lager is dan -18°C , dan wordt de temperatuur na activering ongewijzigd gelaten.

Opmerking: Holiday-functie

1. In de Holiday-modus kan de temperatuur niet worden aangepast. Als u dat wel probeert, gaat het pictogram Holiday 3 keer knipperen om u eraan te herinneren dat de vriezer in de Holiday-modus staat.
2. Als in de Holiday-modus, de functie Auto Set, Daily of Super Freeze wordt ingesteld, gaat het pictogram Holiday (d) uit, de Holiday-functie wordt automatisch verlaten en de functie Auto Set, Daily of Super Freeze wordt ingeschakeld.

4.10 Auto Set-functie (E)

Wanneer het display niet vergrendeld is en u 'Auto Set' (E) aanraakt, licht het pictogram 'Auto Set' (e) op en werkt de vriezer in de Auto Set-functie. Als in de Auto Set-modus, 'Auto Set' (E) wordt aangeraakt, gaat pictogram (e) uit, en verlaat de vriezer de Auto Set-functie. Met de Auto Set-functie werkt de vriezer op de stand -18°C .

Opmerking: Auto Set-functie

1. In de Auto Set-modus kan de temperatuur niet worden aangepast. Als u dat wel probeert, gaat het pictogram Auto Set 3 keer knipperen om u eraan te herinneren dat de vriezer in de Auto Set-modus staat.
2. Als in de Auto Set-modus, de functie Holiday, Daily of Super Freeze wordt ingesteld, gaat het pictogram Auto Set (e) uit, de Auto Set-functie wordt automatisch verlaten en de functie Holiday, Daily of Super Freeze wordt ingeschakeld.

4.11 Display-bedieningsfunctie

Wanneer de deur gesloten is, schakelt het display na meer dan 30 seconden zonder bediening automatisch uit. Het display vergrendelt automatisch. Het gaat automatisch branden als er een toets wordt aangeraakt of de deur geopend wordt.

4.12 Uitschakelgeheugen

Deze vriezer heeft een uitschakelgeheugen: de instellingen vóór het uitschakelen worden opgeslagen. Wanneer de stroom weer wordt ingeschakeld, keert de vriezer terug naar de instelling vóór uitschakeling en blijft hiermee functioneren. De vergrendeling wordt niet onthouden: nadat de stroom weer is ingeschakeld, is het display ontgrendeld.

4.13 Alarm 'Open deur'

Wanneer de vriezer langer dan 1 minuut open blijft, geeft de zoemer 3 pieptonen met een interval van 0,5 seconde. De pieptonen worden om de 30 seconden herhaald als de deur open blijft. De pieptonen stoppen wanneer de deur gesloten wordt of 7 minuten na het openen van de deur. De zoemer stopt met piepen en het vriezerlampje gaat uit.

4.14 Alarm 'Hoge temperatuur'

Deze vriezer is uitgerust met een alarm voor hoge temperaturen. In de diepvriesmodus of Super Freeze-modus, als het pictogram van de temperatuurweergave "HH" aangeeft met pieptonen, zullen de pieptonen na het aanraken van een willekeurige toets stoppen, maar het pictogram van de temperatuurweergave blijft knipperen, wat betekent dat de temperatuur in de vriezer te hoog is. Controleer of de deur goed gesloten is en of er geen grote hoeveelheid warm voedsel in de vriezer is gelegd. Na enige tijd stopt het pictogram van de temperatuurweergave met knipperen. Als het knipperen van "HH" langere tijd niet stopt en de handmatig geannuleerde pieptonen opnieuw klinken, neem dan contact op met de aftersales service.

4.15 Foutindicatie

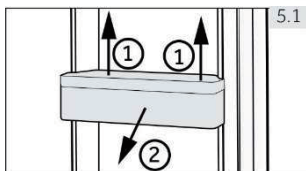
Wanneer het displaypictogram E1, E2 en andere codes toont en knippert, betekent dit dat de vriezer defect is. In deze situatie kan de vriezer nog steeds voedsel invriezen, maar de gebruiker moet zo spoedig mogelijk contact opnemen met de aftersales service voor een optimale controle van de vriezer.



4.16 Tips voor energiebesparing

- ▶ Zorg ervoor dat het apparaat correct geventileerd is (zie INSTALLATIE).
- ▶ Het apparaat mag niet in direct zonlicht of in de buurt van warmtebronnen worden gezet (bijv. fornuizen, verwarming).
- ▶ Vermijd onnodig lage temperaturen in het apparaat. Het energieverbruik neemt toe naarmate de temperatuur van het apparaat lager wordt ingesteld.
- ▶ Laat warme etenswaren afkoelen voor u ze in het apparaat plaatst.
- ▶ Open de deur van het apparaat zo weinig en zo kort mogelijk.
- ▶ Zorg ervoor dat de deur altijd goed sluit en niet wordt gehinderd door verkeerd geplaatst voedsel. Houd de deurpakking schoon.
- ▶ Laat diepvriesvoedsel in de koelkast ontdooien.
- ▶ Maak de achterkant van het apparaat regelmatig schoon. Stof verhoogt het energieverbruik.
- ▶ De meest energiebesparende configuratie vereist dat lades, bakken en schappen in de apparatuur in de fabrieksstand worden geplaatst en dat het voedsel wordt geplaatst zonder de luchtuitlaat van het kanaal te blokkeren.

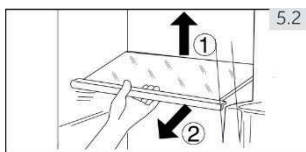
5- Uitrusting



5.1 Uitneembare deurrekken

De deurrekken kunnen worden verwijderd om te worden gereinigd: Pak het rek aan beide zijden vast, til het op (1) en trek het weg (2) (Afb. 5.1).

Voor het plaatsen van het rek voert u bovenstaande stappen in omgekeerde volgorde uit.



5.2 Glazen schappen

1. Om een schap te verwijderen, moet u het eerst aan de achterzijde optillen (1) en vervolgens naar buiten trekken (2) (Afb. 5.2).
2. Om het opnieuw te plaatsen, legt u het op de nokken aan beide zijden en duwt u het helemaal naar achter tot de achterzijde van het schap in de uitsparingen aan de zijkant valt.

6.1 Algemeen

Reinig het apparaat als er slechts een kleine hoeveelheid of geen etenswaren opgeborgen zijn, maar haal eerst de stekker uit het stopcontact.

- ▶ Houd de deurpakking altijd schoon.
- ▶ Reinig de binnenzijde en de behuizing van het apparaat met een spons die bevochtigd is met warm water en een neutraal reinigingsmiddel.



1. Schrob de binnen- en buitenkant van de vriezer, inclusief deurpakking, deurrekken, glazen schappen, bakken en dergelijke, met een zachte doek of spons gedrenkt in warm water (u kunt een neutraal reinigingsmiddel aan het warme water toevoegen).
2. Als er vloeistof is gemorst, verwijder dan alle verontreinigde delen, spoel ze direct af met leidingwater, droog ze af en plaats ze terug in de vriezer.
3. Als er room gemorst is (slagroom, gesmolten ijs), verwijder dan alle verontreinigde delen, leg ze een tijdje in warm water bij ongeveer 40 °C, spoel ze vervolgens af onder stromend water, droog ze af en plaats ze terug in de vriezer.
4. Indien een klein onderdeel of component in de vriezer vast komt te zitten (tussen planken of voorraadbakken), gebruik dan een kleine zachte borstel om het los te maken. Als u het onderdeel niet kunt bereiken, neem dan contact op met Haier service.

6.2 Inactiviteit gedurende een langere periode

Als het apparaat gedurende langere tijd niet wordt gebruikt:

- ▶ Verwijder de etenswaren.
- ▶ Koppel het netsnoer los.
- ▶ Reinig het apparaat zoals hierboven beschreven.
- ▶ Houd de deur en vriezervoorraadbakken open om het ontstaan van onaangename geuren te voorkomen.

Verwijder de deur van het apparaat (open de deur en houd hem vast voordat u de schroeven verwijdert) om te voorkomen dat kinderen het apparaat binnendringen en ingesloten raken.



Opmerking: Uitschakelen

Schakel het apparaat alleen uit als dat strikt noodzakelijk is, om de levensduur ervan te waarborgen.

6.3 Het apparaat verplaatsen

1. Verwijder alle etenswaren en trek de stekker uit het stopcontact.
2. Zet schappen en andere bewegende onderdelen in de vriezer vast met tape.
3. Sluit de deur en zet hem vast met tape.
4. Kantel de vriezer niet meer dan 45° om schade aan het koelsysteem te vermijden.
5. Omwikkel de pootjes van de vriezer om krassen op de vloer te voorkomen. Verplaats de vriezer nooit met geweld.

Veel van de voorkomende problemen kunt u zelf oplossen zonder specifieke deskundigheid. Controleer in geval van een probleem alle getoonde mogelijkheden en volg onderstaande instructies voordat u contact opneemt met een aftersales service.

Het akoestisch alarm kan worden uitgeschakeld door op een willekeurige knop te drukken.

7.1 Probleemoplossing

| Probleem | Mogelijke oorzaak | Mogelijke oplossing |
|---|---|---|
| De compressor werkt niet. | <ul style="list-style-type: none"> De stekker zit niet goed in het stopcontact. | <ul style="list-style-type: none"> Doe de stekker in het stopcontact. |
| Het apparaat slaat veelvuldig aan of werkt te lange tijd. | <ul style="list-style-type: none"> De interne en externe temperatuur is te hoog. Het apparaat is al enige tijd spanningsloos. De deur van het apparaat is niet goed gesloten. De deur is te vaak of te lang geopend. De temperatuurinstelling is te laag. De pakking van de deur is vuil, versleten, gebarsten of niet geschikt. De vereiste luchtcirculatie is niet gegarandeerd. De binnenkant is bedekt met ijs. | <ul style="list-style-type: none"> In dit geval is het normaal dat het apparaat langer werkt. Normaal gesproken duurt het 8 tot 12 uur voordat het apparaat volledig is afgekoeld. Sluit de deur en zorg ervoor dat het apparaat op een vlakke ondergrond is geplaatst en dat de deur niet wordt geblokkeerd door etenswaren of een verpakking. Open de deur niet te vaak. Stel de temperatuur hoger in tot een bevredigende temperatuur is bereikt. Het duurt 24 uur tot de temperatuur volledig stabiel wordt. Reinig de deurpakking of laat deze vervangen door de klantenservice. Zorg voor voldoende ventilatie. Ontdooi het apparaat. |
| Het apparaat maakt abnormaal geluid. | <ul style="list-style-type: none"> Het apparaat bevindt zich niet op een vlakke ondergrond. Het apparaat raakt een voorwerp in de buurt. Het apparaat staat op een houten vloer of in de buurt van houten wanden. | <ul style="list-style-type: none"> Zet het apparaat waterpas. Verwijder voorwerpen rondom het apparaat. Hout versterkt het geluid. Plaats het apparaat ergens anders |
| Het apparaat maakt een klikkend geluid | <ul style="list-style-type: none"> Dit is normaal. Dit wordt veroorzaakt door het in- of uitschakelen van de koeleenheid. | <ul style="list-style-type: none"> |
| Er is een licht geluid te horen vergelijkbaar met dat van stromend water. | <ul style="list-style-type: none"> Dit is normaal. | <ul style="list-style-type: none"> |

| Probleem | Mogelijke oorzaak | Mogelijke oplossing |
|---|--|--|
| Het apparaat maakt een motorgeluid | <ul style="list-style-type: none"> De koeleenheid heeft zich zichzelf net ingeschakeld. Dit is normaal. | <ul style="list-style-type: none"> |
| Het is niet koud genoeg in het apparaat. | <ul style="list-style-type: none"> De temperatuur is te hoog ingesteld. Er is te veel voedsel in één keer opgeslagen. De etenswaren zijn te warm opgeborgen. De etenswaren zijn te dicht bij elkaar geplaatst. De deur is niet goed gesloten. De deur is te vaak of te lang geopend. | <ul style="list-style-type: none"> Stel de temperatuur opnieuw in. Koel de etenswaren altijd af voordat u ze opbergt. Bewaar altijd kleine hoeveelheden etenswaren. Laat wat ruimte vrij tussen de verschillende etenswaren, zodat de lucht er tussendoor kan stromen. Sluit de deur. Open de deur niet te vaak. |
| Het is te koud in het apparaat. | <ul style="list-style-type: none"> De temperatuur is te laag ingesteld. De Super Freeze-functie is geactiveerd of loopt te lang. | <ul style="list-style-type: none"> Stel de temperatuur opnieuw in. Super Freeze-functie. |
| Vocht hoopt zich op aan het oppervlak van het apparaat. | <ul style="list-style-type: none"> Het klimaat is te warm en te vochtig. | <ul style="list-style-type: none"> Dit is normaal in een vochtig klimaat en zal veranderen als de luchtvochtigheid afneemt. Wrijf droog met een doek. |
| Veel ijs en vorst in het vriesvak. | <ul style="list-style-type: none"> De etenswaren zijn niet voldoende verpakt. De deur is niet goed gesloten. De deur is te vaak of te lang geopend. De pakking van de deur is vuil, versleten, gebarsten of niet geschikt. Iets aan de binnenkant voorkomt dat de deur goed sluit. | <ul style="list-style-type: none"> Pak de etenswaren altijd goed in. Sluit de deur. Open de deur niet te vaak. Reinig de deurpakking of laat deze vervangen door de klantenservice. Plaats de schappen, deurrekken of verpakkingen in het apparaat zodanig dat de deur kan sluiten. |
| Het koelsysteem werkt niet. | <ul style="list-style-type: none"> De stekker zit niet in het stopcontact. De stroomvoorziening is niet intact. | <ul style="list-style-type: none"> Doe de stekker in het stopcontact. Controleer de elektrische voeding van de kamer. Raadpleeg uw nutsbedrijf! |
| De zijkanen van de kast en de deurstrip worden warm. | <ul style="list-style-type: none"> Dit is normaal. | <ul style="list-style-type: none"> |
| U hoort een alarmsignaal | <ul style="list-style-type: none"> De deur is open De temperatuur in het apparaat is te hoog | <ul style="list-style-type: none"> Sluit de deur of zet het alarm handmatig uit. |

| Probleem | Mogelijke oorzaak | Mogelijke oplossing |
|---|--|---|
| De deur is moeilijk te openen. | <ul style="list-style-type: none"> Als het apparaat eenmaal werkt, heeft het een intern vacuüm. | <ul style="list-style-type: none"> Open de deurafdichting voorzichtig om lucht in het apparaat te laten komen. |
| De deur kan niet goed gesloten worden. Hij blijft altijd op een kier staan. | <ul style="list-style-type: none"> Door de lage temperatuur van het apparaat kan de deurafdichting gemakkelijk hard en vervormd worden. | <ul style="list-style-type: none"> Gebruik een haardroger of leg een hete handdoek op de plaats waar de pakking vervormd is. Wanneer de pakking weer zacht is, sluit u de deur en drukt u hem stevig aan. |

7.2 Stroomonderbreking

Bij een stroomstoring zullen de etenswaren ongeveer 15 uur veilig koud blijven. Volg deze tips tijdens een langdurige stroomonderbreking, in het bijzonder in de zomer:

- ▶ Open de deur zo weinig mogelijk.
- ▶ Doe geen extra voedsel in de vriezer tijdens een stroomonderbreking.
- ▶ Als een stroomonderbreking vooraf wordt aangekondigd en de onderbreking langer dan 15 uur zal duren, kunt u op voorhand ijs maken en het in een bak boven in het vriesvak zetten.
- ▶ Aangezien de temperatuur in de koelkast zal stijgen tijdens een stroomonderbreking of een andere stroomstoring, zullen de bewaartijd en de kwaliteit van de etenswaren afnemen. Om gezondheidsrisico's te voorkomen, moet voedsel dat ontdooit, hetzij worden geconsumeerd, hetzij worden gekookt en (zo nodig) spoedig daarna opnieuw worden ingevroren.



Opmerking: Geheugenfunctie tijdens stroomonderbreking

Na het herstel van de stroomvoorziening gaat het apparaat verder met de instellingen die vóór de stroomuitval waren ingesteld.

7.3 Parameters en vervanging van led-lampen

Parameter led-lamp: 12V, 6W

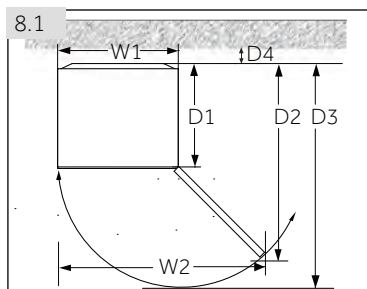
De LED-lamp, met een laag energieverbruik en een lange levensduur. Als er een abnormaliteit is, demonteer dan niet zelf. Neem contact op met de after-sales voor deur-tot-deur service.

8.1 Uitpakken

- ▶ Haal het apparaat uit de verpakking.
- ▶ Verwijder alle verpakkingsmaterialen.

8.2 Omgevingsomstandigheden

De kamertemperatuur moet altijd tussen de 18°C en 43°C liggen, omdat deze de temperatuur in het apparaat en het energieverbruik kan beïnvloeden. Installeer het apparaat niet in de buurt van andere warmtebronnen (ovens, koelkasten) zonder isolatie.

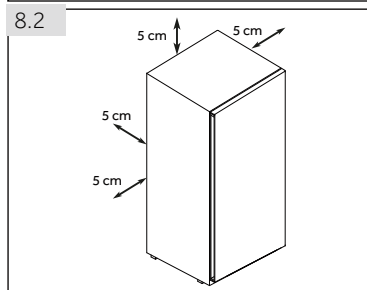


8.3 Vereiste ruimte

Benodigde ruimte om de deur te openen (Afb. 8.1):

| Breedte in mm | | Diepte in mm | | | Afstand tot de muur in mm |
|---------------|------|--------------|------|------|---------------------------|
| W1 | W2 | D1 | D2 | D3 | D4 |
| 705 | 1076 | 603 | 1243 | 1327 | 50 |

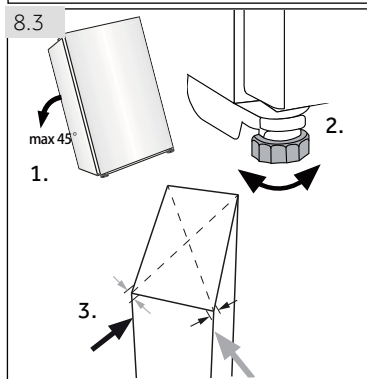
Voor een gratis staand apparaat: dit koelapparaat is niet bedoeld om als ingebouwde apparatuur te worden gebruikt.



8.4 Ventilatie ruimte

Om het apparaat om veiligheidsredenen voldoende te ventileren, moeten de vereiste ventilatiedoorsneden in acht worden genomen (Afb. 8.2).

Voor een vrijstaand apparaat: dit koelapparaat is niet bedoeld om te worden gebruikt als ingebouwd apparaat



8.5 Het apparaat uitlijnen

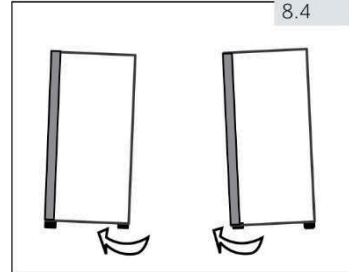
Het apparaat moet op een vlakke en stevige ondergrond worden geplaatst. Indien het apparaat op een voetstuk wordt geplaatst, moeten sterke en vuurvaste materialen worden gebruikt. Gebruik het schuimverpakkingsmateriaal nooit als voetstuk.

1. Kantel het apparaat iets naar achteren (Afb. 8.3).
2. Stel de voeten in op het gewenste niveau.
3. De stabiliteit kan worden gecontroleerd door zachtjes te kloppen op de diagonale hoeken. De lichte schommeling moet in beide richtingen gelijk zijn. Anders kan het frame kromtrekken; dit kan resulteren in lekken in de deurpakkingen. Een kleine overhelning naar achteren vergemakkelijkt het sluiten van de deur.

8.6 Verstelbare pootjes

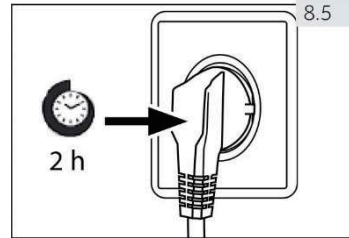
Als de vriezer onstabiel is, kunnen de pootjes worden bijgesteld: Draai de stelpootjes in de richting van de pijl (Afb. 8.4) om ze omhoog of omlaag te draaien:

- ▶ Draai de pootjes rechtersom om het apparaat omhoog te zetten;
- ▶ Draai de pootjes linksom om het omlaag te zetten.



8.7 Wachtijd

De onderhoudsvrije smeerolie bevindt zich in de capsule van de compressor. Deze olie kan tijdens schuin transport door het gesloten leidingsysteem komen. Voordat u het apparaat aansluit op de stroomvoorziening moet u 2 uur wachten (Afb. 8.5), zodat de olie in de capsule terugloopt.



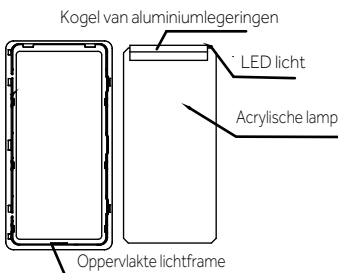
8.8 Elektrische aansluiting

Controleer vóór elke aansluiting of:

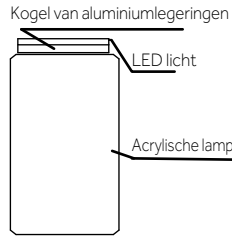
- ▶ de stroomvoorziening, het stopcontact en de zekeringen overeenstemmen met de informatie op het typeplaatje.
- ▶ het stopcontact geaard is en er geen multistekker of verlengsnoer is.
- ▶ de stekker en het stopcontact overeenstemmen.

Steek de stekker in een goed geïnstalleerd stopcontact.

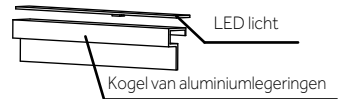
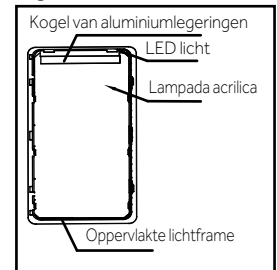
8.9 Diagram van de lichtbron van het gebied



Druk op de gesp om het Area-lichtframe en Area-lichtbron te splitsen



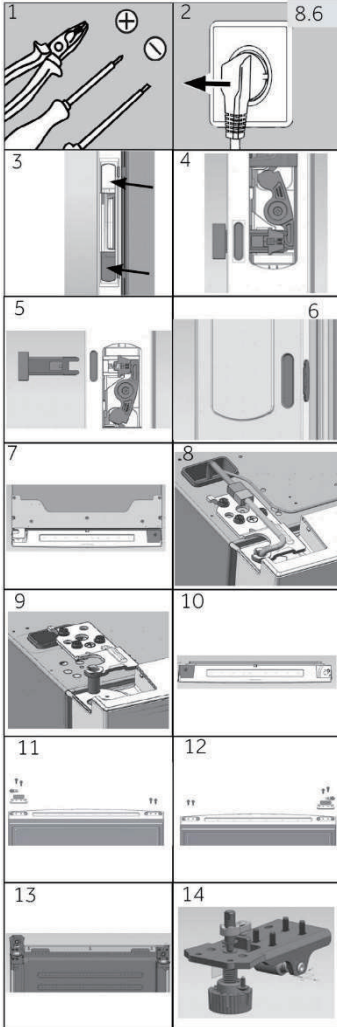
Verwijder de aluminium foil tape aan beide zijden van het Aluminiumlegering koelframe, en het Aluminiumlegering koelframe kan worden verwijderd



Spits het koelframe van led Light en Aluminium-legering (dubbelzijdige kleefverbinding)

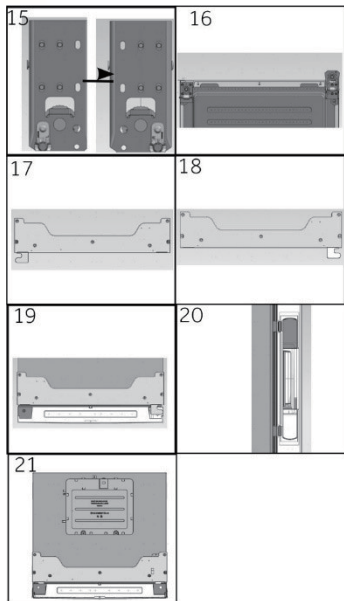
8.10 Omkeerbare deur

Alvorens het apparaat aan te sluiten op de stroomvoorziening dient u na te gaan of de deur van links (zoals geleverd) naar rechts moet worden omgezet, indien de plaats van installatie en de bruikbaarheid dit vereisen.



Montagestappen (Afb. 8.6):

1. Zorg voor het nodige gereedschap.
2. Koppel het apparaat van het stopcontact los.
3. Open de bovenste en onderste handgreepafdekkingen aan de rechterkant van de deur.
4. Wrik het witte schuifje een beetje los.
5. Neem de 2 drukstangen eruit en zet de handgreepafdekking er weer op.
6. Verwijder de 2 rubberen pluggen aan de linkerkant van de deur en leg ze bij de verwijderde drukstangen voor stap 20.
7. Verwijder 7 schroeven en de scharnierafdekking. Wees voorzichtig dat de deurkabel niet scheurt.
8. Koppel de verbindingkabel los.
9. Verwijder 3 scharnierschroeven en het linker bovenscharnier, en verwijder de deur voorzichtig.
10. Plaats een kartonnen doos of doek onder de deur en leg de deur horizontaal. Verwijder de rechter deurafdekking en neem de linker afdekking uit de zak met accessoires. Monteer deze aan de linker bovenkant van de deur.
11. Verwijder 2 schroeven aan de rechter onderkant van de deur. Verwijder 2 schroeven, deurstopper en asafdekking aan de linker onderkant van de deur.
12. Neem de deurstopper van de vorige stap en de rechter asafdekking uit de zak met accessoires en zet ze vast met 2 schroeven. Bevestig ook 2 schroeven aan de andere kant van de deur.
13. Leg de achterkant van de kast neer op een dikke deken als ondergrond. Verwijder 4 schroeven en het onderste scharnier.
14. Schroef de asafdekking los.



15. Pak de rechter asafdekking uit de zak met accessoires. Zet hem vast met een schroef.
16. Verwissel de positie van de zwenkwielplaat en het onderste scharnier na vervanging.
17. Demonteer de linker kleine scharnierafdekking en het scharnierdeksel van de scharnierafdekking.
18. Verwissel het scharnierdeksel naar de andere kant en neem de rechter kleine scharnierafdekking uit de zak met accessoires. Monteer deze op de scharnierafdekking.
19. Monteer de deur, het linker scharnier, sluit de verbindingkabel aan en bevestig de scharnierafdekking met schroeven.
20. 20. Monteer de verwijderde drukstang aan de linkerkant van de deur, en steek vervolgens de rubberen pluggen in het gat van de handgreepdrukstang aan de rechterkant van de deur.
21. Klaar.

De minimale garantie bedraagt: 2 jaar voor EU-landen, 3 jaar voor Turkije, 1 jaar voor het Verenigd Koninkrijk, 1 jaar voor Rusland, 3 jaar voor Zweden, 2 jaar voor Servië, 5 jaar voor Noorwegen, 1 jaar voor Marokko, 6 maanden voor Algerije, Tunesië geen wettelijke garantie vereist.

Thermostaten, temperatuursensoren, printplaten en lichtbronnen zijn beschikbaar voor een periode van minimaal zeven jaar nadat het laatste exemplaar van het model in de handel is gebracht. Deurhandgrepen, deurscharnieren, schappen en manden voor een periode van minimaal zeven jaar en deurpakkingen voor een periode van minimaal tien jaar nadat het laatste exemplaar van het model op de markt is gebracht.

Raadpleeg voor meer informatie over het product

<https://eprel.ec.europa.eu/> of scan de QR op het energielabel dat bij het apparaat is geleverd.

Voor contact met de technische ondersteuning, wordt u verzocht onze website te bezoeken:

<https://corporate.haier-europe.com/en/>

Kies onder de rubriek 'website' het merk van uw product en uw land.

U wordt doorgestuurd naar de specifieke website waar u het telefoonnummer en het formulier kunt vinden om contact op te nemen met de technische ondersteuning

| | | |
|--|---------------------|----------|
| Handelsmerk | Haier | |
| Model | H2F385*F | H2F385*D |
| Categorie van het model | Vrijstaande vriezer | |
| Energie-efficiëntieklasse | F | D |
| Jaarlijks energieverbruik (kWh/jaar) ¹⁾ | 356 | 228 |
| Opslagvolume koelen (L) | niet van toepassing | |
| Opslagvolume invriezen (L) **** | 386 | |
| Sterclassificatie | **** | |
| Temperatuur van andere compartimenten > 14 °C | niet van toepassing | |
| Vorstvrij systeem | ja | |
| Stroomonderbreking-veilig (u) | 11.5 | 11.5 |
| Vriesvermogen (kg/24h) | 19.5 | 19.5 |
| Klimaatklasse Dit apparaat is bedoeld om te worden gebruikt bij een omgevingstemperatuur tussen de 10 °C en 43 °C. | SN-T | |
| Geluidsemissies via de lucht (dB (A)) | 39 | |
| Constructietype | vrijstaand | |

1) op basis van standaardtestresultaten voor 24 uur. Het reële energieverbruik hangt af van het gebruik van het apparaat en waar het zich bevindt.

Raadpleeg het typeplaatje en het energielabel in het product voor meer informatie over de specificaties.

Dit apparaat is bedoeld om te worden gebruikt bij de hieronder aangegeven omgevingstemperatuur:

| | |
|----|-----------------|
| SN | +10 °C ~ +32 °C |
| N | +16 °C ~ +32 °C |
| ST | +16 °C ~ +38 °C |
| T | +16 °C ~ +43 °C |

11.2 Bijkomende technische gegevens

| | |
|--------------------------|------------------|
| Spanning / Frequentie | 220-240V ~/ 50Hz |
| Nominale stroom (A) | 1.5 |
| Koelvloeistof | R600a |
| Afmetingen (H/B/D in mm) | 172,5/70,5/69,1 |

H2F385*F/*D_NL

Haier



Instrukcja obsługi

Zamrażarka pionowa

H2F385*F

H2F385*D

* - Colour code

PL

Haier

Dziękujemy za zakup produktu firmy Haier.

Przed użyciem tego urządzenia należy przeczytać uważnie poniższe instrukcje. Instrukcja ta zawiera ważne informacje, które pomogą użytkownikowi jak najlepiej korzystać z tego urządzenia i zapewnią bezpieczną oraz prawidłową jego instalację, użytkowanie i konserwację.

Niniejszą instrukcję należy przechowywać w dogodnym miejscu, aby zawsze móc z niej szybko skorzystać w celu bezpiecznego i właściwego użytkowania urządzenia.

Jeśli zamierza się sprzedać urządzenie, oddać je lub zostawić w domu po przeprowadzce, należy się upewnić, że przekazano również niniejszą instrukcję, aby nowy właściciel mógł zapoznać się z urządzeniem i ostrzeżeniami dotyczącymi bezpieczeństwa.

OSTRZEŻENIE: Ryzyko pożaru/materiał łatwopalny. Symbol oznacza ryzyko pożaru, ponieważ używane są materiały łatwopalne. Należy uważać, aby nie spowodować pożaru przez zapłon materiałów łatwopalnych.

Legenda



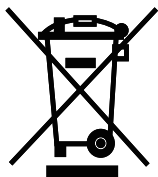
Ogólne informacje i porady



Ostrzeżenie - Ważne informacje dotyczące bezpieczeństwa



Informacje o środowisku



Utylizacja

Pomóż chronić środowisko naturalne i zdrowie ludzkie. Wyrzuć opakowanie do stosownych pojemników do recyklingu. Pomóż recyklingować odpady z urządzeń elektrycznych i elektronicznych. Nie wyrzucaj urządzeń oznaczonych tym symbolem razem z odpadami domowymi. Oddaj produkt do miejscowego zakładu recyklingu lub skontaktuj się z urzędem miasta.



Ostrzeżenie!

Ryzyko obrażeń lub uduszenia!

Czynniki chłodnicze i gazy muszą być usuwane profesjonalnie. Przed utylizacją upewnij się, że przewody układu chłodniczego nie są uszkodzone. Wyciągnij wtyczkę z kontaktu. Odetnij przewód zasilający i wyrzuć go. Usuń drzwi, aby zapobiec zamknięciu się dzieci i zwierząt w urządzeniu.

| | |
|-------------------------------------|----|
| 1 - Bezpieczeństwo | 4 |
| 2 - Przewidziane zastosowanie | 11 |
| 3 - Opis produktu..... | 12 |
| 4 - Użytkowanie | 13 |
| 5 – Wyposażenie..... | 17 |
| 6 - Pielęgnacja i czyszczenie..... | 18 |
| 7 - Rozwiązywanie problemów | 20 |
| 7 - Rozwiązywanie problemów | 21 |
| 8 - Instalacja..... | 23 |
| 9 - Dane techniczne | 27 |

Przed pierwszym włączeniem urządzenia należy zapoznać się z poniższymi wskazówkami dotyczącymi bezpieczeństwa!



OSTRZEŻENIE!

Przed pierwszym użyciem

- ▶ Upewnić się, że urządzenie nie uległo uszkodzeniu w transporcie.
- ▶ Usunąć całe opakowanie i trzymać je z dala od dzieci.
- ▶ Przed zainstalowaniem urządzenia należy odczekać co najmniej 2 godziny, aby upewnić się, że obwód czynnika chłodniczego jest w pełni sprawny.
- ▶ Urządzenie powinny przenosić zawsze co najmniej dwie osoby, ponieważ jest ono ciężkie.

Instalacja

- ▶ Urządzenie to należy umieścić w dobrze wentylowanym miejscu. Zapewnić przestrzeń co najmniej 5 cm powyżej i wokół urządzenia.
- ▶ **OSTRZEŻENIE:** Otwory wentylacyjne w urządzeniu lub w zabudowanej konstrukcji powinny być wolne od przeszkód.
- ▶ Nigdy nie należy umieszczać urządzenia w wilgotnym miejscu lub w miejscu, w którym mogłoby zostać zachłapane wodą. Rozbryzgi wody oraz plamy należy wyczyścić za pomocą miękkiej, czystej szmatki.
- ▶ Nie należy instalować urządzenia w miejscu o bezpośrednim działaniu promieni słońca lub w pobliżu źródeł ciepła (np. pieców, grzejników).
- ▶ Zainstalować i wypoziomować urządzenie w miejscu odpowiednim do jego wielkości i przeznaczenia.
- ▶ Należy upewnić się, że informacje elektryczne na tabliczce znamionowej są zgodne z parametrami źródła zasilania. Jeśli tak nie jest, należy się skontaktować z elektrykiem.
- ▶ Urządzenie jest zasilane z sieci o napięciu 220 – 240 V AC/50 Hz.
- ▶ Nietypowe wahania napięcia mogą spowodować nieuruchomienie się urządzenia, uszkodzenie układu regulacji temperatury lub sprężarki, a także nietypowy hałas podczas jego pracy. W takim przypadku należy zamontować automatyczny regulator.
- ▶ Nie należy używać adapterów wielowtykowych i przedłużaczy.
- ▶ **OSTRZEŻENIE:** Nie umieszczać przedłużaczy z kilkoma gniazdami lub przenośnych zasilaczy przy tylnej części urządzenia.
- ▶ **OSTRZEŻENIE:** Podczas ustawiania urządzenia należy upewnić się, że przewód zasilający nie jest uwięziony lub uszkodzony.
- ▶ Nie stawać na przewód zasilający.
- ▶ Upewnić się, że przewód zasilający nie jest przygnieciony przez zamrażarkę.
- ▶ Nie zakrywać otworów wentylacyjnych.
- ▶ Do zasilania należy użyć osobnego, łatwo dostępnego gniazdka z uziemieniem. Urządzenie musi być uziemione.



OSTRZEŻENIE!

- ▶ **OSTRZEŻENIE:** Nie należy dopuścić do uszkodzenia obwodu czynnika chłodniczego.

Codzienne użytkowanie

- ▶ Urządzenie to może być obsługiwane przez dzieci powyżej 8 roku życia oraz osoby o ograniczonej zdolności fizycznej, czuciowej lub psychicznej bądź nieposiadające doświadczenia i wiedzy, jeśli są one pod nadzorem lub poinstruowano je w zakresie bezpiecznej obsługi urządzenia i zrozumiały one potencjalne zagrożenia.
- ▶ Nie zezwalać dzieciom na zabawę z urządzeniem.
- ▶ Dzieciom w wieku od 3 do 8 lat zezwala się na załadunek i rozładunek urządzeń chłodniczych, ale nie zezwala się im na ich czyszczenie czy instalację.
- ▶ Trzymać z dala od urządzenia dzieci poniżej 3. roku życia, chyba że są one stale nadzorowane.
- ▶ Czyszczenie i konserwacja urządzenia nie powinny być przeprowadzane przez dzieci bez nadzoru.
- ▶ Urządzenie musi być umieszczone w taki sposób, aby wtyczka była dostępna. W przypadku ulatniania się gazu ziemnego lub innego łatwopalnego gazu w pobliżu urządzenia należy zakręcić zawór ulatniającego się gazu, otworzyć drzwi i okna i nie odłączać ani nie podłączać wtyczki przewodu zasilającego zamrażarki ani żadnego innego urządzenia.
- ▶ Należy zwrócić uwagę, że urządzenie jest przystosowane do pracy w określonym zakresie temperatur otoczenia od 10°C do 43°C. Urządzenie może nie działać prawidłowo, jeśli zostanie pozostawione na dłuższy czas w temperaturze powyżej lub poniżej wskazanego zakresu.
- ▶ Nie należy umieszczać na zamrażarce przedmiotów niestabilnych (ciężkich przedmiotów, pojemników wypełnionych wodą), unikać obrażeń ciała spowodowanych upadkiem lub porażeniem prądem elektrycznym w wyniku kontaktu z wodą.
- ▶ Nie należy przechowywać ani używać materiałów łatwopalnych, wybuchowych lub żrących w urządzeniu lub w jego pobliżu.
- ▶ Nie należy podnosić urządzenia za klamki.
- ▶ Nigdy nie umieszczać urządzenia poziomo na podłożu podczas jego przemieszczania. Przed przystąpieniem do jakiegokolwiek czynności należy najpierw odłączyć urządzenie od sieci elektrycznej.
- ▶ Nie przechylać urządzenia o więcej niż 45°, aby zapobiec uszkodzeniu układu chłodzenia podczas przenoszenia urządzenia.
- ▶ Odłączyć urządzenie w przypadku przerwy w dostawie prądu lub przed czyszczeniem go. Odczekać co najmniej 7 minut przed ponownym uruchomieniem urządzenia, ponieważ częste uruchamianie go może uszkodzić sprężarkę.
- ▶ Sprawdzić stan żywności, jeśli doszło do zwiększenia temperatury w zamrażarce.
- ▶ W trybie chłodniczym bez przedziału 4-gwiazdkowego: to urządzenie chłodnicze nie nadaje się do zamrażania środków spożywczych; w trybie zamrażania z 4-gwiazdkowym przedziałem to urządzenie do zamrażania nie jest przeznaczone do chłodzenia środków spożywczych.



OSTRZEŻENIE!

- ▶ Nie ciągnąć za półki w drzwiczkach. Drzwiczki mogą się przechylić, półki w drzwiczkach mogą wypaść lub urządzenie może się przewrócić.
- ▶ Drzwiczki należy otwierać i zamykać tylko za pomocą klamek. Szczelina między drzwiczkami i szafką jest bardzo wąska. Nie wkładać rąk w te miejsca, aby uniknąć ściśnięcia palców. Otwierać lub zamykać drzwiczki urządzenia tylko wtedy, gdy w zasięgu ich ruchu nie stoją dzieci.
- ▶ Nigdy nie przechowywać butelkowanego piwa lub napojów w zamrażarce, ponieważ mogą one pęknąć podczas zamrażania.
- ▶ Nie przechowywać w niniejszym urządzeniu substancji wybuchowych, takich jak puszkki z łatwopalnym gazem pędnym w aerozolu.
- ▶ Nie przechowywać w urządzeniu leków, bakterii ani środków chemicznych. To urządzenie jest urządzeniem domowym. Nie zaleca się przechowywania w nim materiałów, które wymagają ściśle określonej temperatury.
- ▶ Nigdy nie przechowywać płynów w butelkach lub puszkach (oprócz alkoholi wysokoprocentowych), zwłaszcza napojów gazowanych w zamrażarce, ponieważ wybuchną one podczas zamrażania.
- ▶ Nie ustawiać niepotrzebnie niskiej temperatury w komorze zamrażarki. Przy wysokich ustawieniach mogą występować temperatury minusowe. Uwaga: butelki mogą wybuchnąć.
- ▶ Nie należy dotykać zamrożonych towarów mokrymi dłońmi (zakładać rękawice). W szczególności nie należy jeść lizaków lodowych bezpośrednio po wyjęciu z zamrażarki. Istnieje ryzyko ich przymarznięcia lub powstania odmrożenia. **PIERWSZA POMOC:** natychmiast przepłukać pod bieżącą zimną wodą. Nie odciągać na siłę!
- ▶ Podczas działania urządzenia nie należy dotykać wewnętrznej powierzchni zamrażarki, zwłaszcza mokrymi rękoma, ponieważ ręce mogą przymarznąć do tej powierzchni.
- ▶ **OSTRZEŻENIE:** Nie używać urządzeń elektrycznych wewnątrz komór urządzenia do przechowywania żywności, o ile nie są to urządzenia zalecane przez producenta.
- ▶ **OSTRZEŻENIE:** Lampki mogą być wymieniane tylko przez producenta przy zastosowaniu części niezbędnych do tego urządzenia.
- ▶ **OSTRZEŻENIE:** Jeśli nie mamy pewności co do rodzaju czynnika chłodniczego, należy sprawdzić tabliczkę znamionową w urządzeniu. Serwisowanie tego urządzenia przez kogokolwiek innego niż autoryzowany serwisant jest niebezpieczne. W Queensland autoryzowany serwisant MUSI posiadać zezwolenie na prace związane z instalacjami gazowymi węglowodorowych czynników chłodniczych w celu wykonywania czynności serwisowych lub napraw, które obejmują zdjęcie pokryw.



OSTRZEŻENIE!

Konserwacja/czyszczenie

- ▶ Upewnić się, że dzieci są pod nadzorem, jeśli przeprowadzają czyszczenie i konserwację.
- ▶ Przed przystąpieniem do rutynowej konserwacji należy odłączyć urządzenie od zasilania elektrycznego. Odczekać co najmniej 7 minut przed ponownym uruchomieniem urządzenia, ponieważ częste uruchamianie go może uszkodzić sprężarkę.
- ▶ Podczas odłączania urządzenia należy trzymać za jego wtyczkę, a nie za kabel.
- ▶ Nie należy czyścić urządzenia twardymi szczotkami, szczotkami drucianymi, proszkiem do prania, benzyną, octanem amylu, acetonem i podobnymi roztworami organicznymi, kwasowymi lub alkalicznymi. Aby uniknąć uszkodzenia, należy czyścić je specjalnym detergentem do zamrażarek.
- ▶ Nie zdrapywać szronu i lodu ostrymi przedmiotami. Aby uniknąć uszkodzenia plastikowych części, nie należy używać sprayów, grzejników elektrycznych czy suszarek do włosów ani urządzeń czyszczących parą czy innych źródeł ciepła.
- ▶ **OSTRZEŻENIE:** Nie stosować innych środków przyspieszających proces rozmrażania niż zalecane przez producenta.
- ▶ W razie uszkodzenia kabla zasilającego powinien go wymienić producent, serwisant lub inna wykwalifikowana osoba, aby uniknąć zagrożenia.
- ▶ Nie próbować naprawiać, demontować ani modyfikować urządzenia na własną rękę. W razie potrzeby dokonania naprawy należy się skontaktować z naszą obsługą klientów.
- ▶ Przynajmniej raz w roku należy usunąć kurz z tyłu urządzenia, aby uniknąć zagrożenia pożarem, a także zwiększonego zużycia energii.
- ▶ Nie spryskiwać ani nie sfluksiwać urządzenia podczas czyszczenia.
- ▶ Do czyszczenia urządzenia nie należy używać strumienia wody ani pary wodnej.
- ▶ Nie czyścić zimnych szklanych półek ani szklanych drzwiczek gorącą wodą. Nagła zmiana temperatury może spowodować pęknięcie szkła.
- ▶ Przed czyszczeniem należy odłączyć urządzenie od zasilania
- ▶ W przypadku ogrzewania pomieszczenia należy sprawdzić stan zamrożonych artykułów.
- ▶ Przed wykonaniem konserwacji należy odłączyć urządzenie od zasilania elektrycznego, wyjmując wtyczkę z gniazdka.
- ▶ Urządzenia elektryczne powinny być serwisowane wyłącznie przez wykwalifikowanych elektryków, ponieważ nieprawidłowe naprawy mogą spowodować znaczne szkody następne.

Informacje o czynniku chłodniczym

OSTRZEŻENIE!

Konserwacja/czyszczenie

Urządzenie zawiera palny czynnik chłodniczy – IZOBUTAN (R600a). Upewnić się, że obieg czynnika chłodniczego nie został uszkodzony podczas transportu lub montażu. Wyciekający czynnik chłodniczy może spowodować obrażenia oczu lub zapalić się. Jeśli doszło do uszkodzenia, należy unikać otwartych źródeł ognia, dokładnie przewietrzyć pomieszczenie, nie podłączać ani nie odłączać przewodów zasilających urządzenia lub innego urządzenia. Poinformować obsługę klientów.

W przypadku kontaktu oczu z czynnikiem chłodniczym natychmiast należy przepłukać je pod bieżącą wodą i natychmiast skontaktować się z okulistą.

OSTRZEŻENIE: układ chłodniczy znajduje się pod wysokim ciśnieniem. Nie manipulować urządzeniem. Ponieważ w urządzeniu stosowane są palne czynniki chłodnicze, należy zainstalować, obsługiwać i serwisować je ściśle według instrukcji obsługi oraz skontaktować się z profesjonalnym przedstawicielem lub naszym działem obsługi posprzedażnej w celu dokonania utylizacji urządzenia.

OSTRZEŻENIE!

- ▶ Należy uważać, aby nie spowodować pożaru przez zapłon materiałów łatwopalnych.
- ▶ **OSTRZEŻENIE:** Podczas ustawiania urządzenia należy się upewnić, że kabel zasilający nie jest zaklinowany lub uszkodzony.
- ▶ **OSTRZEŻENIE:** Nie umieszczać przedłużaczy z kilkoma gniazdami lub przenośnych zasilaczy przy tylnej części urządzenia.
- ▶ Nie przechowywać w niniejszym urządzeniu substancji wybuchowych, takich jak puszkę z łatwopalnym gazem pędnym w aerozolu.
- ▶ W przypadku łatwopalnych czynników chłodniczych używanych w zamrażarce należy zachować ostrożność podczas instalacji, obsługi, serwisowania i recyklingu urządzenia.
- ▶ Skontaktować się z serwisem w sprawie utylizacji urządzenia, ponieważ zastosowano w nim łatwopalny gaz.

Zastosowanie zgodnie z przeznaczeniem

Urządzenie jest przeznaczone do użytku w gospodarstwach domowych i podobnych zastosowaniach, które wymieniono poniżej:

- pomieszczenia kuchenne dla personelu w sklepach, biurach i innych miejscach pracy;
- gospodarstwach rolnych; przez klientów w hotelach, motelach i innych środowiskach mieszkalnych;
- w środowiskach typu „bed and breakfast”;
- w ramach usług cateringowych i podobnych zastosowań niezwiązanych ze sprzedażą detaliczną.

▶ Jeśli urządzenie nie jest używane przez dłuższy czas.

- wyjąć żywność;
- wyjąć wtyczkę z gniazdka sieciowego;
- wyczyścić urządzenie w sposób opisany powyżej;
- drzwiczki powinny być otwarte, aby zapobiec powstawaniu przykrych zapachów wewnątrz.

▶ Aby zapewnić bezpieczne przechowywanie artykułów spożywczych, należy postępować zgodnie z niniejszą instrukcją obsługi.

▶ Szczegółowe informacje na temat najbardziej odpowiedniej części komory urządzenia, w których należy przechowywać określone typy żywności, biorąc pod uwagę rozkład temperatury występującej w różnych komorach urządzenia, znajdują się w innej części instrukcji.


▶ Aby uniknąć zanieczyszczenia żywności, należy przestrzegać poniższych instrukcji:

- Pozostawienie na dłużej otwartych drzwiczek może spowodować wzrost temperatury w komorach urządzenia.
- Czyścić regularnie powierzchnie, które mogą mieć kontakt z żywnością i dostępnymi systemami odprowadzania wody.
- Surowe mięso i ryby należy przechowywać w zamrażarce w taki sposób, aby nie miały one kontaktu z innymi produktami spożywczymi, a soki z nich nie kapały na inne produkty.
- Szuflady na zamrożoną żywność, oznaczone dwoma gwiazdkami, przeznaczone są do przechowywania wstępnie zamrożonej żywności, przechowywania lub wytwarzania lodów i kostek lodu.

- Szuflady z jedną, dwoma lub trzema gwiazdkami nie nadają się do zamrażania świeżej żywności.
- Jeśli urządzenie chłodzące zostanie pozostawione puste przez dłuższy czas, należy je wyłączyć, rozmrozić, wyczyścić, wysuszyć i pozostawić drzwiczki otwarte, aby uniknąć rozwoju w urządzeniu pleśni.

Utylizacja



Ten symbol  na produkcie lub na jego opakowaniu oznacza, że nie należy go traktować tak samo jak odpady domowe. Należy go przekazać odpowiedniemu punktowi zbiórki odpadów w celu poddania recyklingowi wyposażenia elektrycznego i elektronicznego. Zapewniając, że produkt ten jest utylizowany w prawidłowy sposób, można się przyczynić do zapobiegania potencjalnie negatywnym konsekwencjom dla środowiska i zdrowia ludzkiego, jakie mogłyby mieć miejsce w przypadku nieodpowiedniego posługiwania się odpadami tego produktu. W celu uzyskania bardziej szczegółowych informacji na temat recyklingu tego produktu należy skontaktować się z lokalnym urzędem miasta, służbami utylizującymi odpady domowe lub sklepem, w którym produkt został zakupiony.

W związku z tym, że stosowane są w nim palne gazy izolacyjne, prosimy o kontakt z profesjonalnym przedstawicielem lub naszym działem obsługi posprzedażnej, w celu pozbycia się urządzenia.

OSTRZEŻENIE!

Ryzyko obrażeń lub uduszenia!

Czynniki chłodnicze i gazy muszą być utylizowane w sposób profesjonalny. Przed prawidłową utylizacją urządzenia należy upewnić się, że przewody obwodu czynnika chłodniczego nie są uszkodzone. Odłączyć urządzenie od zasilania. Odciąć kabel sieciowy i wyrzucić go. Wyjąć półki i szuflady, a także zatraski i uszczelki drzwiczek, aby uniemożliwić dzieciom i zwierzętom zamknięcie się w urządzeniu.

2.1 Przewidziane zastosowanie

„Urządzenie jest przeznaczone do użytku w gospodarstwach domowych i podobnych zastosowaniach, takich jak

- pomieszczenia kuchenne dla personelu w sklepach, biurach i innych miejscach pracy;
- gospodarstwach rolnych; przez klientów w hotelach, motelach i innych środowiskach mieszkalnych;
- w środowiskach typu „bed and breakfast”;
- w ramach usług cateringowych i podobnych zastosowań niezwiązanych ze sprzedażą detaliczną.

Urządzenie jest przeznaczone do zamrażania żywności. Zaprojektowano je wyłącznie do użytku w suchych pomieszczeniach. Nie jest przeznaczone do użytku komercyjnego ani przemysłowego.

Zmiana lub modyfikacja urządzenia nie jest dozwolona. Niezamierzone użycie może spowodować zagrożenie i brak możliwości składania roszczeń gwarancyjnych.

2.2 Akcesoria

Sprawdzić akcesoria i dokumentację zgodnie z niniejszą listą:

| | | | |
|-----|---|---|--|
| 2.2 |  |  |  |
| | Etykieta energetyczna | Karta gwarancyjna | Instrukcja obsługi |
| |  |  |  |
| | Kostkarka do lodu z łyżką | Górna lewa pokrywa wykończeniowa | Górny prawy zawias do odwracania drzwi |
| | | |  |
| | | |  |
| | | | Pokrywa górnego prawego zawiasu |



Uwaga: Różnica

Ze względu na zmiany techniczne i różne modele niektóre z ilustracji zamieszczone w niniejszej instrukcji mogą nie dotyczyć modelu posiadanego przez użytkownika.



- | | | | |
|---|--|---|-----------------------------|
| 1 | Oświetlenie LED | 6 | Regulowane półki w drzwiach |
| 2 | Pokrywa kanału powietrza | 7 | Tabliczka znamionowa |
| 3 | Półki szklane | 8 | Klamka drzwiczek |
| 4 | Pojemniki do przechowywania w zamrażarce | 9 | Kostkarka do lodu Twist |
| 5 | Regulowana nóżka | | |

Uwaga: Ten produkt zawiera źródło światła o klasie efektywności energetycznej <G>.

4.1 Przed pierwszym użyciem

- ▶ Usunąć wszystkie materiały opakowaniowe, przechowywać w miejscu niedostępnym dla dzieci i utylizować je w sposób przyjazny dla środowiska.
- ▶ Przed włożeniem jakichkolwiek produktów należy umyć wnętrze i zewnętrzną część urządzenia wodą i łagodnym deterгентem.
- ▶ Po wypoziomowaniu i wyczyszczeniu urządzenia należy odczekać co najmniej 2 godziny przed podłączeniem go do zasilania. Patrz punkt INSTALACJA.
- ▶ Przed włożeniem żywności należy wstępnie schłodzić komorę przez 2 godziny przy wysokich ustawieniach. Funkcja Super Freeze pomaga szybko schłodzić komorę.



Poszczególne produkty należy umieszczać w różnych miejscach w zależności od ich właściwości (Rys. 4.1).

W zamrażarce zaleca się przechowywanie mięsa, ryb, pizzy i innych produktów mrożonych. Żywność może być przechowywana w zamrażarce w temperaturze co najmniej -18°C przez 2 do 12 miesięcy, w zależności od jej właściwości (np. mięso: 3 – 12 miesięcy, warzywa: 6 – 12 miesięcy). Aby uniknąć upływu okresów przechowywania, należy odnotować datę zamrożenia, limit czasu i nazwę artykułu spożywczego na opakowaniu w zależności od okresów przechowywania przewidzianych dla różnych artykułów spożywczych.

4.2 Włączanie/wyłączanie urządzenia

Urządzenie działa natychmiast po podłączeniu go do zasilania.

- ▶ Temperatura zamrażarki jest automatycznie ustawiana na -18°C . Jest to zalecane ustawienie i idealna temperatura dla produktów mrożonych. W razie potrzeby można zmienić temperaturę ręcznie. Patrz REGULACJA TEMPERATURY.



Uwaga: Ustawienia wstępne

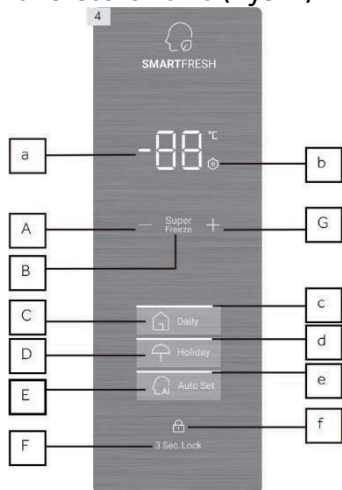
1. Urządzenie jest wstępnie ustawione na zalecaną temperaturę -18°C . W normalnych warunkach otoczenia nie trzeba zmieniać temperatury.
2. Gdy urządzenie zostanie włączone po odłączeniu od głównego źródła zasilania, osiągnięcie prawidłowej temperatury może potrwać do 12 godzin.

Przed wyłączeniem należy opróżnić urządzenie. Aby wyłączyć urządzenie, należy odłączyć przewód zasilający od gniazdka.

4.3 Tryb czuwania wyświetlacza

Po zamknięciu drzwiczek ekran wyświetlacza wyłącza się automatycznie po 30 sekundach bez żadnego działania. Wyświetlacz blokuje się automatycznie. Zaświeca się automatycznie po naciśnięciu jakiegokolwiek przycisku lub otwarciu drzwi.

4.4 Panel sterowania (Rys. 4)



Opis ikon

- a: Ikona wyświetlania temperatury
- b: Ikona Super Freeze
- c: Ikona funkcji Daily
- d: Ikona Holiday
- e: Ikona ustawienia automatycznego
- f: Ikona blokady

Opis przycisku

- A: Przycisk zmniejszania temperatury: Nacisnąć, aby zmniejszyć temperaturę
- B: Przycisk Super Freeze: Nacisnąć, aby włączyć funkcję Super Freeze
- C: Przycisk funkcji Daily: Nacisnąć, aby aktywować funkcję Daily
- D: Przycisk Holiday: Nacisnąć, aby aktywować funkcję Holiday
- E: Przycisk Auto Set: Nacisnąć, aby aktywować funkcję ustawienia automatycznego
- F: Przycisk blokady: Nacisnąć i przytrzymać przez 3 sekundy, aby zablokować lub odblokować
- G: Przycisk zwiększania temperatury: Nacisnąć, aby zwiększyć temperaturę

4.5 Blokowanie i odblokowywanie wyświetlacza

Automatyczne blokowanie

Panel sterowania może automatycznie wejść w funkcję blokady. Wyświetlacz jest automatycznie blokowany po 30 sekundach bez żadnego działania.

Blokada ręczna

Po odblokowaniu wyświetlacza nacisnąć przycisk blokowania (F) i przytrzymać przez 3 sekundy, po sygnale dźwiękowym, ikona blokady (f) zaświeci się, wyświetlacz zostanie zablokowany. Gdy wyświetlacz jest zablokowany, nacisnąć przycisk blokowania 11 (F) i przytrzymać przez 3 sekundy, po sygnale dźwiękowym ikona 11 Blokada 11 (f) zgaśnie, a wyświetlacz zostanie odblokowany.

**Uwaga: Blokada wyświetlacza**

Gdy wyświetlacz jest zablokowany, takie funkcje jak regulacja temperatury lub wprowadzanie ustawień funkcji są wyłączone. Po próbie wykonania powyższej operacji ikona blokady (f) mignie 3 razy, aby przypomnieć, że wyświetlacz jest zablokowany.

4.6 Ustawianie temperatury

Zakres temperatur tej zamrażarki można ustawić w przedziale pomiędzy -14°C i -24°C ;

Gdy wyświetlacz jest odblokowany, w funkcji Daily nacisnąć przycisk zmniejszania ustawionej temperatury (A), po sygnale dźwiękowym ikona zmniejszania ustawionej temperatury (a) zacznie migać, a wyświetlacz przejdzie do trybu ustawiania temperatury. Po każdym naciśnięciu przycisku zmniejszania ustawionej temperatury (A) emitowany jest sygnał dźwiękowy, temperatura jest obniżana o 1°C i najniższa wartość wynosi -24°C . Po ustawieniu temperatury ustawiona wartość temperatury jest określana i ikona przestaje migać po 5 sekundach bez żadnego działania.

Po odblokowaniu wyświetlacza w funkcji Daily nacisnąć przycisk zwiększania ustawionej temperatury (G), po sygnale dźwiękowym ikona wyświetlania temperatury (a) zacznie migać i wyświetlacz wejdzie w tryb ustawiania temperatury, a po każdym naciśnięciu przycisku zwiększenia ustawionej temperatury (G) emitowany jest sygnał dźwiękowy, temperatura wzrasta o 1°C , do -14°C . Po ustawieniu temperatury ustawiona wartość temperatury jest określana, a ikona (a) przestaje migać po 5 sekundach bez żadnego działania.

4.7 Funkcja Daily (C)

Urządzenie ustawione jest fabrycznie na funkcję Daily (Tryb codzienny), gdy tylko zostanie podłączone do zasilania po raz pierwszy i ikona funkcji Daily (c) zaświeci się. Tylko w tej funkcji można ustawić temperaturę.

4.8 Funkcja Super Freeze (B)

Tryb Super Freeze jest optymalny do zachowania wartości odżywczej żywności, może zamrażać żywność w krótszym czasie. Przed włożeniem dużej ilości żywności do zamrażarki należy włączyć funkcję Super Freeze, aby uzyskać niższą temperaturę i zapewnić lepszy efekt zamrażania.

Gdy wyświetlacz jest odblokowany, po dotknięciu przycisku „Super Freez” (B), ikona Super Freeze (b) zaświeci się, a zamrażarka będzie działać w trybie Super Freeze. Aby wyjść z funkcji Super Freeze, należy ręcznie powtórzyć powyższe punkty. W przeciwnym razie funkcja zostanie automatycznie wyłączona po 50 godzinach.

Jeśli mamy zbyt dużą ilość żywności do zamrożenia w tym samym czasie, zaleca się włączenie funkcji na 24 godziny przed włożeniem żywności. Funkcja zatrzyma się automatycznie po 50 godzinach lub po wyłączeniu ręcznym. Zużycie energii wzrasta, gdy funkcja ta jest włączona.

W trybie Super Freeze temperatura działania zamrażarki zależy od ilości żywności i warunków otoczenia. Temperatura wewnątrz komory zamrażarki może być potencjalnie obniżona do -37°C .



Uwaga: Super Freeze

1. W trybie Super Freeze nie można regulować temperatury. W przypadku próby zmiany temperatury ikona Super Freeze mignie 3 razy, aby przypomnieć, że zamrażarka jest w trybie Super Freeze.
2. W trybie Super Freeze, jeśli ustawiona zostanie funkcja Auto Set lub Holiday, funkcja „Super Freeze” (b) jest automatycznie wyłączana i zostaje włączona funkcja Auto Set lub Holiday.

4.9 Funkcja Holiday (D)

Gdy wyświetlacz jest odblokowany, po dotknięciu przycisku „Holiday” (D) ikona Holiday (d) zaświeci się, a zamrażarka będzie działać w trybie Holiday. W trybie Holiday, po dotknięciu przycisku „Holiday” (D), ikona Holiday (d) zgaśnie, a zamrażarka wychodzi z funkcji Holiday. W trybie Holiday, jeśli temperatura przed wejściem w tryb Holiday jest wyższa niż -18°C , po wejściu w tryb Holiday temperatura jest automatycznie ustawiana na -18°C ; jeśli temperatura przed wejściem w tryb Holiday jest niższa niż -18°C , po wejściu w tryb Holiday temperatura pozostaje niezmienną.

Uwaga: Funkcja Holiday

1. W trybie Holiday nie można regulować temperatury. W przypadku próby zmiany temperatury ikona Holiday mignie 3 razy, aby przypomnieć, że zamrażarka jest w trybie Holiday.
2. W trybie Holiday, jeśli włączona jest funkcja Auto Set, Daily lub Super Freeze, ikona Holiday (d) gaśnie, funkcja Holiday automatycznie wyłącza się i włącza się funkcja Auto Set, Daily lub Super Freeze.

4.10 Funkcja Auto Set (E)

Gdy wyświetlacz jest odblokowany, po dotknięciu przycisku „Auto Set” (E), ikona „Auto Set” (e) zaświeci się, a zamrażarka będzie działać w funkcji Auto Set. W trybie Auto Set, po dotknięciu przycisku „Auto Set” (E), ikona (e) gaśnie, a zamrażarka wychodzi z funkcji Auto Set. W ramach funkcji Auto Set zamrażarka działa w temperaturze -18°C .

Uwaga: Funkcja Auto Set

1. W trybie Auto Set nie można regulować temperatury. W przypadku próby zmiany temperatury ikona Auto Set mignie 3 razy, aby przypomnieć, że zamrażarka znajduje się w trybie Auto Set.
2. W trybie Auto Set, jeśli ustawiona zostanie funkcja Holiday, Daily lub Super Freeze, funkcja „Auto Set” (e) jest wyłączana i włączana jest funkcja Holiday, Daily lub Super Freeze.

4.11 Funkcja sterowania wyświetlaczem

Po zamknięciu drzwiczek ekran wyświetlacza wyłącza się automatycznie po 30 sekundach bez żadnego działania. Wyświetlacz blokuje się automatycznie. Zaświeca się automatycznie po dotknięciu dowolnego przycisku lub otwarciu drzwiczek.

4.12 Pamięć wyłączenia zasilania

Zamrażarka posiada pamięć wyłączenia, wtedy ustawienia przed wyłączeniem zostaną zapamiętane. Gdy zasilanie jest zablokowane, zamrażarka powróci do ustawień przed wyłączeniem zasilania i będzie nadal działać. Blokada nie jest zapamiętywana, po ponownym włączeniu zasilania wyświetlacz jest odblokowany.

4.13 Alarm otwarcia drzwiczek

Gdy zamrażarka pozostaje otwarta dłużej niż 1 minutę, brzęczyk emituje 3 sygnały dźwiękowe z przerwami co 0,5 sekundy. Sygnały dźwiękowe będą powtarzane co 30 sekund, jeśli drzwiczki pozostaną otwarte. Sygnał dźwiękowy wyłączy się w momencie zamknięcia drzwiczek lub po 7 minutach od ich otwarcia. Brzęczyk przestaje emitować sygnały dźwiękowe i gaśnie oświetlenie zamrażarki.

4.14 Alarm wysokiej temperatury

Zamrażarka jest wyposażona w alarm wysokiej temperatury. W trybie zamrażania lub Super Freeze, jeśli ikona wyświetlacza temperatury pokazuje napis „HH” z sygnałami dźwiękowymi, dotknięcie dowolnego przycisku powoduje wyłączenie sygnału dźwiękowego, ale ikona wyświetlacza temperatury miga, co oznacza, że temperatura w zamrażarce jest zbyt wysoka. Sprawdzić, czy drzwiczki są szczelnie zamknięte lub czy w zamrażarce znajduje się duża ilość ciepłej żywności. Po pewnym czasie ikona wyświetlacza temperatury przestanie migać. Jeśli ikona „HH” nie przestanie migać przez dłuższy czas, a sygnały dźwiękowe, które zostaną ręcznie anulowane, włączą się ponownie, należy skontaktować się z serwisem posprzedażnym.

4.15 Wskazanie błędu

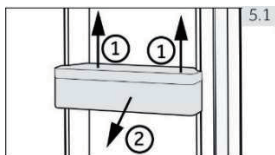
Gdy ikona wyświetlacza pokazuje E1, E2 oraz inne kody i miga, oznacza to, że zamrażarka jest uszkodzona. W takiej sytuacji zamrażarka może nadal zamrażać żywność, ale użytkownik powinien jak najszybciej skontaktować się z serwisem posprzedażnym w celu uzyskania optymalnej kontroli nad zamrażarką.



4.16 Wskazówki dotyczące oszczędzania energii

- ▶ Upewnij się, że urządzenie jest właściwie wentylowane (patrz INSTALACJA).
- ▶ Nie należy instalować urządzenia w miejscu o bezpośrednim działaniu promieni słońca lub w pobliżu źródeł ciepła (np. pieców, grzejników).
- ▶ Unikać niepotrzebnie niskiej temperatury w urządzeniu. Zużycie energii zwiększa się im niższa jest ustawiona temperatura w urządzeniu.
- ▶ Ciepłą żywność należy schłodzić przed umieszczeniem jej w urządzeniu.
- ▶ Drzwiczki urządzenia należy otwierać jak najrzadziej i pozostawiać otwarte jak najkrócej.
- ▶ Upewnij się, że drzwi zawsze zamykają się prawidłowo i na zamknięcie nie wpływa pozycja żywności. Utrzymywać uszczelkę drzwiczek w czystości.
- ▶ Rozmrozić mrożonki w lodówce.
- ▶ Regularnie czyścić tylną część urządzenia. Kurz zwiększa zużycie energii.
- ▶ Najbardziej energooszczędna konfiguracja to ustawienie szuflady, pojemnika na żywność i półek w urządzeniu w stanie fabrycznym oraz umieszczenie żywności tak, aby nie blokowała wylotu powietrza z kanału.

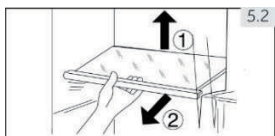
5 – Wyposażenie



5.1 Zdejmowane półki drzwiowe

Półki drzwiowe można wyjąć w celu oczyszczenia ich: Położyć ręce na każdym boku półki, podnieść ją do góry (1) i wyciągnąć (2) (Rys. 5.1).

W celu włożenia półki drzwiowej powyższe czynności należy wykonać w odwrotnej kolejności.



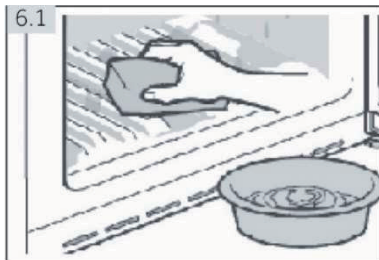
5.2 Półki szklane

1. Aby wyjąć półkę, należy ją najpierw podnieść za tylną krawędź (1) i wyciągnąć (2) (Rys. 5.2).
2. Aby ponownie zamontować półkę, należy nałożyć ją na uchwyty po obu stronach i włożyć do najbardziej wysuniętej do tyłu pozycji, aż tylna część półki zostanie zamocowana wewnątrz szczeliny po bokach.

6.1 Informacje ogólne

Czyścić urządzenie, gdy przechowywana jest tylko niewielka ilość żywności lub jej nie ma i odłączyć urządzenie od zasilania.

- ▶ Zawsze utrzymywać w czystości uszczelkę drzwiczek.
- ▶ Oczyszczyć wnętrze i obudowę urządzenia gąbką zwilżoną ciepłą wodą i neutralnym detergentem.
 1. Wyczyścić wnętrze i zewnętrzną część zamrażarki, w tym uszczelkę drzwiczek, półki na drzwiczkach, szklane półki, pojemniki itd., miękkim ręcznikiem lub gąbką zanurzoną w ciepłej wodzie (można dodać neutralny detergent do ciepłej wody).
 2. W przypadku rozlania płynu należy wyjąć wszystkie zanieczyszczone części, bezpośrednio przepłukać bieżącą wodą, wysuszyć i umieścić z powrotem w zamrażarce.
 3. W przypadku rozlania śmietany albo stopionych lodów należy wyjąć wszystkie zabrudzone części, włożyć do ciepłej wody o temperaturze około 40°C na jakiś czas, a następnie spłukać bieżącą wodą, wysuszyć i umieścić z powrotem w zamrażarce.
 4. W przypadku, gdy mała część lub element utknie wewnątrz zamrażarki (między półkami lub pojemnikami), należy użyć małej miękkiej szczotki, aby ją usunąć. Jeśli nie uda się dostać do takiej części, należy się skontaktować z serwisem firmy Haier.



6.2 Nieużywanie przez dłuższy okres

Jeśli urządzenie nie jest używane przez dłuższy czas:

- ▶ wyjąć żywność;
- ▶ wyjąć wtyczkę z gniazdka sieciowego;
- ▶ wyczyścić urządzenie w sposób opisany powyżej;
- ▶ Utrzymywać drzwiczki i pojemniki na żywność otwarte, aby zapobiec powstawaniu nieprzyjemnych zapachów wewnątrz.

Wyjąć drzwiczki urządzenia (otworzyć drzwiczki i przytrzymać je przed wyjęciem śrub), aby uniknąć wejścia dzieci do urządzenia i zablokowania się w nim.



Uwaga: Wyłączenie

Aby zapewnić trwałość eksploatacyjną urządzenia, wyłączać je tylko wtedy, gdy jest to absolutnie konieczne.

6.3 Przenoszenie urządzenia

1. Wyjąć całą żywność i odłączyć urządzenie.
2. Zabezpieczyć półki i inne ruchome części w zamrażarce taśmą przylepną.
3. Zamknąć drzwiczki i zabezpieczyć je taśmą.
4. Nie przechylać zamrażarki o więcej niż 45°, aby uniknąć uszkodzenia układu chłodniczego.
5. Owinąć nóżki zamrażarki, aby uniknąć porysowania podłogi. Nigdy nie przesuwać zamrażarki siłą.

Wiele pojawiających się problemów można rozwiązać samodzielnie bez specjalistycznej wiedzy. W przypadku wystąpienia problemu należy sprawdzić wszystkie przedstawione możliwości i postępować zgodnie z poniższymi instrukcjami przed ewentualnym skontaktowaniem się z działem obsługi posprzedażnej.

Alarm akustyczny można wyłączyć, naciskając dowolny przycisk.

7.1 Rozwiązywanie problemów

| Problem | Możliwa przyczyna | Możliwe rozwiązanie |
|---|--|--|
| Nie działa sprężarka. | <ul style="list-style-type: none"> Wtyczka przewodu zasilającego nie jest podłączona do gniazdka. | <ul style="list-style-type: none"> Podłączyć wtyczkę zasilania elektrycznego. |
| Urządzenie pracuje często lub przez zbyt długi czas. | <ul style="list-style-type: none"> Temperatura wewnętrzna lub zewnętrzna jest zbyt wysoka. Urządzenie było odłączone od zasilania przez pewien czas. Drzwiczki urządzenia nie są szczelnie zamknięte. Drzwiczki były otwierane zbyt często lub zbyt długo. Ustawienie temperatury jest zbyt niskie. Uszczelka drzwiczek jest brudna, zużyta, pęknięta lub źle dopasowana. Wymagana cyrkulacja powietrza nie jest zagwarantowana. Wnętrze pokryte jest lodem. | <ul style="list-style-type: none"> W takiej sytuacji normalne jest, że urządzenie działa dłużej. Na ogół całkowite ostygnięcie urządzenia trwa od 8 do 12 godzin. Zamknąć drzwiczki i upewnić się, że urządzenie znajduje się na równym podłożu i żaden produkt ani pojemnik z żywnością nie blokuje drzwiczek. Nie otwierać drzwiczek zbyt często. Ustawić temperaturę na wyższą, aż do uzyskania zadowalającej temperatury. Temperatura stabilizuje się przez 24 godziny. Wyczyścić uszczelkę drzwiczek lub zlecić jej wymianę na nową przez dział obsługi klienta. Zapewnić odpowiednią wentylację. Rozmrozić urządzenie. |
| Urządzenie wydaje nietypowe dźwięki. | <ul style="list-style-type: none"> Urządzenie nie znajduje się na równej powierzchni. Urządzenie dotyka znajdującego się w jego pobliżu przedmiotu. Urządzenie stoi na drewnianej podłodze lub w pobliżu drewnianych ścian. | <ul style="list-style-type: none"> Wypoziomować urządzenie. Usunąć przedmioty wokół urządzenia. Dźwięk potęgowany przez drewno. Ustawić urządzenie gdzie indziej. |
| Urządzenie wydaje dźwięk typu klikanie. | <ul style="list-style-type: none"> Jest to zjawisko normalne. Jest to spowodowane włączaniem się lub wyłączaniem agregatu chłodniczego. | <ul style="list-style-type: none"> |
| Może być słyszalny delikatny dźwięk podobny do dźwięku płynącej wody. | <ul style="list-style-type: none"> Jest to zjawisko normalne. | <ul style="list-style-type: none"> |

| Problem | Możliwa przyczyna | Możliwe rozwiązanie |
|---|---|--|
| Urządzenie generuje dźwięk silnika. | <ul style="list-style-type: none"> Jednostka chłodzenia właśnie się włączyła. Jest to normalne | <ul style="list-style-type: none"> |
| Wewnątrz urządzenia nie jest wystarczająco zimno. | <ul style="list-style-type: none"> Ustawiona jest zbyt wysoka temperatura. Zbyt dużo żywności było przechowywane naraz. Przechowywane były zbyt ciepłe produkty. Produkty są zbyt blisko siebie. Drzwiczki nie są szczelnie zamknięte. Drzwiczki były otwierane zbyt często lub zbyt długo. | <ul style="list-style-type: none"> <input checked="" type="checkbox"/> Przywrócić prawidłową temperaturę. Zawsze schłodzić produkty przed włożeniem ich do lodówki. Zawsze przechowywać małe ilości żywności. Pozostawić szczelinę pomiędzy różną żywnością, umożliwiając przepływ powietrza. Zamknąć drzwiczki. Nie otwierać drzwiczek zbyt często. |
| Wewnątrz urządzenia jest zbyt zimno. | <ul style="list-style-type: none"> Ustawiona jest zbyt niska temperatura. Funkcja Super Freeze jest aktywna lub działała zbyt długo. | <ul style="list-style-type: none"> Przywrócić prawidłową temperaturę. Funkcja Super Freeze. |
| Wilgoć gromadzi się na powierzchni urządzenia. | <ul style="list-style-type: none"> Klimat jest zbyt ciepły i zbyt wilgotny. | <ul style="list-style-type: none"> Jest to normalne w wilgotnym klimacie i zmienia się, gdy wilgotność spada. Wytrzeć do sucha szmatką. |
| Wiele lodu iszronu w komorze zamrażarki. | <ul style="list-style-type: none"> Artykuły nie były odpowiednio zapakowane. Drzwiczki nie są szczelnie zamknięte. Drzwiczki były otwierane zbyt często lub zbyt długo. Uszczelka drzwiczek jest brudna, zużyta, pęknięta lub źle dopasowana. Coś wewnątrz uniemożliwia prawidłowe zamknięcie drzwiczek. | <ul style="list-style-type: none"> Zawsze dobrze pakować towar. Zamknąć drzwiczki. Nie otwierać drzwiczek zbyt często. Wyczyścić uszczelkę drzwiczek lub zlecić jej wymianę na nową przez dział obsługi klienta. Przesunąć półki, półki w drzwiczkach lub pojemniki wewnętrzne, aby umożliwić zamknięcie drzwiczek. |
| Układ chłodzenia nie działa. | <ul style="list-style-type: none"> Wtyczka sieciowa nie jest podłączona do gniazdka sieciowego. Zasilanie nie jest nienaruszone. | <ul style="list-style-type: none"> Podłączyć wtyczkę zasilania elektrycznego. Sprawdzić zasilanie elektryczne w pomieszczeniu. Skontaktować się z lokalnym dostawcą energii elektrycznej! |
| Boki szafki i listwa drzwiowa nagrzewają się. | <ul style="list-style-type: none"> Jest to zjawisko normalne. | <ul style="list-style-type: none"> |
| Słychać sygnał alarmu. | <ul style="list-style-type: none"> Drzwiczki są otwarte. Temperatura wewnętrzna produktu jest zbyt wysoka | <ul style="list-style-type: none"> Zamknąć drzwiczki lub wyciszyć alarm ręcznie. |

| Problem | Możliwa przyczyna | Możliwe rozwiązanie |
|---|---|---|
| Drzwiczki otwierają się z trudnością. | <ul style="list-style-type: none"> Po uruchomieniu w urządzeniu wytwarza się podciśnienie wewnętrzne. | <ul style="list-style-type: none"> Delikatnie otworzyć uszczelkę drzwiczek, aby doprowadzić powietrze do urządzenia. |
| Drzwiczek nie można prawidłowo zamknąć. Zawsze pozostaje szczelina. | <ul style="list-style-type: none"> Ze względu na niską temperaturę urządzenia uszczelka drzwiczek może łatwo ulec utwardzeniu i odkształceniu. | <ul style="list-style-type: none"> Użyć suszarki do włosów lub położyć gorący ręcznik w miejscu, w którym uszczelka jest zdeformowana. Gdy uszczelka jest ponownie miękka, zamknąć drzwiczki i docisnąć je mocno. |

7.2 Przerwanie zasilania

W przypadku przerwy w dostawie energii elektrycznej żywność powinna pozostać bezpiecznie schłodzona przez około 15 godzin. Postępować zgodnie z tymi wskazówkami podczas dłuższej przerwy w dostawie energii elektrycznej, szczególnie w lecie:

- ▶ Otworzyć drzwiczki kilka razy, o ile to możliwe.
- ▶ Nie wkładać dodatkowej żywności do zamrażarki podczas przerwy w zasilaniu.
- ▶ Jeśli uprzednio powiadomiono o przerwie w dostawie prądu, a czas trwania przerwy jest dłuższy niż 15 godzin, należy przygotować lód i umieścić go w pojemniku w górnej części komory zamrażarki.
- ▶ Ponieważ temperatura w zamrażarce wzrośnie podczas przerwy w zasilaniu lub innej awarii, okres przechowywania będzie krótszy i pogorszy się przydatność żywności do spożycia. Aby zapobiec zagrożeniom dla zdrowia, żywność, która ulega rozmrożeniu, powinna zostać wkrótce spożyta lub ugotowana i zamrożona (w stosownych przypadkach).



Uwaga: funkcja zapamiętywania ustawień podczas przerwy w dostawie energii elektrycznej

Po przywróceniu zasilania urządzenie kontynuuje pracę z ustawieniami, które zostały wprowadzone przed awarią zasilania.

7.3 Parametry lampy LED i wymiana

Parametr lampy LED: 12V, 6W

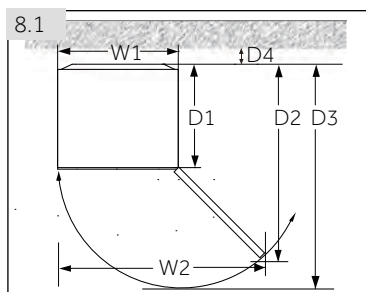
Jest to lampa LED, która ma niskie zużycie energii i długi okres eksploatacji. Jeśli jest jakaś abnormity, proszę nie rozkładać się samodzielnie. Prosimy o kontakt z personelem posprzedażnym w przypadku usług od drzwi do drzwi.

8.1 Rozpakowywanie

- ▶ Wyjąć urządzenie z opakowania.
- ▶ Usunąć wszystkie elementy opakowania.

8.2 Warunki otoczenia

Temperatura w pomieszczeniu powinna zawsze wynosić od 18°C do 43°C, ponieważ może ona wpływać na temperaturę wewnątrz urządzenia i jego zużycie energii. Nie wolno instalować urządzenia w pobliżu innych urządzeń emitujących ciepło (piekarników, lodówek) bez izolacji.



8.3 Wymagania dotyczące przestrzeni

Wymagana przestrzeń do otwarcia drzwiczek (Rys. 8.1):

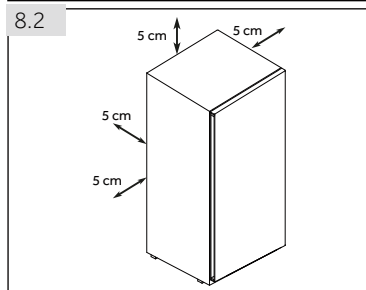
| Szerokość w mm | | Głębokość w mm | | | Odległość do ściany w mm |
|----------------|------|----------------|------|------|--------------------------|
| W1 | W2 | D1 | D2 | D3 | D4 |
| 705 | 1076 | 603 | 1243 | 1327 | 50 |

Dla urządzenia stojącego: urządzenie chłodnicze nie jest przeznaczone do stosowania jako urządzenie wbudowane

8.4 Przekrój poprzeczny wentylacji

Aby osiągnąć wystarczającą wentylację urządzenia ze względów bezpieczeństwa, należy przestrzegać informacji o wymaganych przekrojach układu wentylacji (Rys. 8.2).

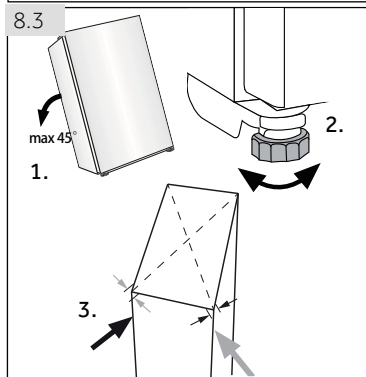
W PRZYPADKU urządzenia wolnostojącego: to urządzenie chłodnicze nie jest przeznaczone do stosowania jako urządzenie wbudowane.



8.5 Poziomowanie urządzenia

Urządzenie powinno być umieszczone na płaskiej i solidnej powierzchni. Jeśli urządzenie jest umieszczone na podłodze, należy użyć mocnych i ogniodpornych materiałów. Nigdy nie używać piankowego materiału opakowaniowego jako podestu.

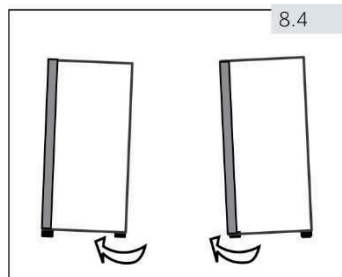
1. Przechylić urządzenie lekko do tyłu (Rys. 8.3).
2. Ustawić nóżki na żądanym poziomie.
3. Stabilność można sprawdzić poprzez naprzemienne uderzanie o przekątne. Lekkie kołysanie się powinno być takie samo w obu kierunkach. W przeciwnym razie rama może się wypaczyć; skutkiem tego są ewentualne nieszczelne uszczelki drzwi. Lekkie przechylenie do tyłu ułatwia zamykanie drzwiczek.



8.6 Używanie regulowanych nóżek

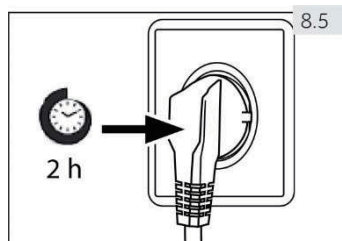
Jeśli zamrażarka jest niestabilna, nóżki można wyregulować: Obrócić regulowane nóżki zgodnie z kierunkiem strzałki (rys. 8.4), aby obrócić je w górę lub w dół:

- ▶ Obrócenie nóżek zgodnie z ruchem wskazówek zegara podnosi urządzenie.
- ▶ Obrócenie nóżek w kierunku przeciwnym do ruchu wskazówek zegara obniża je.



8.7 Czas oczekiwania

Bezobstługowy olej smarowy znajduje się w obudowie sprężarki. Olej ten może przeniknąć przez zamknięty system rurek podczas transportu w pozycji przechylonej. Przed podłączeniem urządzenia do zasilania należy odczekać 2 godziny (Rys. 8.5), aby olej dostał się z powrotem do obudowy.



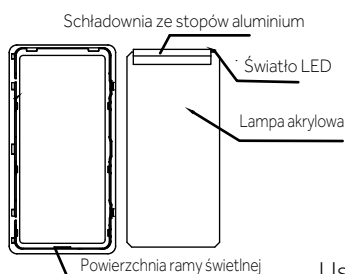
8.8 Przyłącze elektryczne

Przed każdym połączeniem należy sprawdzić, czy:

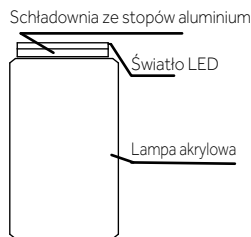
- ▶ Gniazdko zasilające i bezpiecznik są zgodne z danymi podanymi na tabliczce znamionowej;
- ▶ Gniazdko zasilające jest uziemione i nie posiada wielu wtyczek ani przedłużaczy;
- ▶ Wtyczka i gniazdko zasilające pasują do siebie;

Podłączyć wtyczkę do prawidłowo zainstalowanego gniazdka domowego.

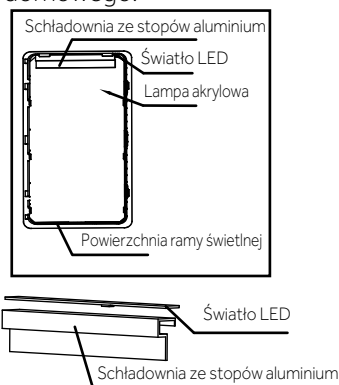
8.9 Diagram źródła światła obszaru



Naciśnij klamrę, aby rozdzielić ramkę świetlną i źródło światła obszaru



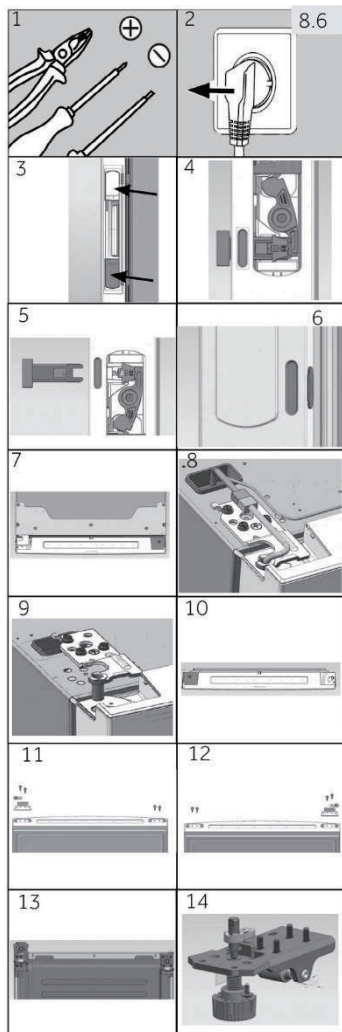
Usunięcie taśmy z folii aluminiowej po obu stronach ramy chłodzenia ze stopu aluminium i usunięcie ramy chłodzenia ze stopu aluminium



Rozdzielić ramkę chłodzenia LED lekkich i aluminiowych stopów (połączenie dwustronne)

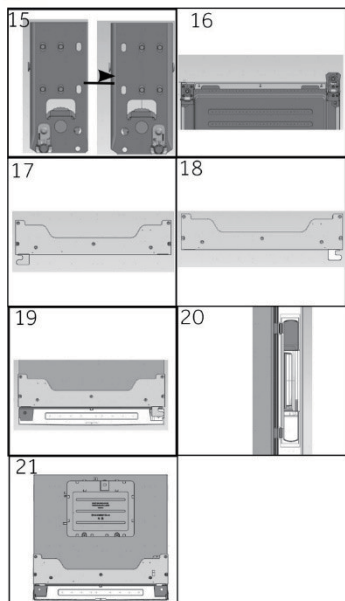
8.10 Odwracanie drzwiczek

Przed podłączeniem urządzenia do zasilania należy sprawdzić, czy sposób otwierania drzwiczek nie musi zostać zmieniony z lewej strony (w wersji dostarczonej) na prawą, jeśli jest to wymagane przez miejsce instalacji i właściwości użytkowe urządzenia.



Etapy montażu (Rys. 8.6):

1. Zapewnić niezbędne narzędzie.
2. Odłączyć urządzenie od zasilania.
3. Otworzyć górną i dolną pokrywę klamki po prawej stronie drzwiczek.
4. Lekko podważyć biały suwak.
5. Wyjąć 2 sworznie i założyć z powrotem pokrywę klamki.
6. Wyjąć 2 gumowe zaślepki po lewej stronie drzwiczek i umieść je wraz z usuniętymi sworzniami w punkcie 20.
7. Wykręcić 7 śrub i zdjąć pokrywę zawiasu. Uważać, aby nie rozerwać linki drzwiczek.
8. Odłączyć kabel przyłączeniowy.
9. Wykręcić 3 śruby zawiasu i lewy górny zawias i ostrożnie wyjąć drzwiczki.
10. Umieścić kartonowe pudełko lub szmatkę pod drzwiczkami i położyć drzwiczki poziomo. Wyjąć prawą pokrywę końcową drzwiczek, wyjąć lewą pokrywę końcową z torby z akcesoriami. Zamontować ją na lewym górnym rogu drzwiczek.
11. Wykręcić 2 śruby z prawej dolnej części drzwiczek. Wykręcić 2 śruby. Blokada drzwiczek i pokrywa osi w lewej dolnej części drzwiczek.
12. Wyjąć ogranicznik drzwiczek z ostatniego punktu i prawą pokrywę osi z torby z akcesoriami, przykręcić je 2 śrubami. Zamocować 2 śruby również po drugiej stronie drzwiczek.
13. Opuścić tył szafki po umieszczeniu grubszych podkładek poniżej. Wykręcić 4 śruby i zdjąć dolny zawias.
14. Odkręcić pokrywę osi.



15. Wyjąć prawą pokrywę osi z torby na akcesoria. Przymocować ją śrubą.
16. Zmienić położenie płyty podkładki i dolnego zawiasu po wymianie.
17. Zdemontować lewą małą pokrywę zawiasu i nakładkę zawiasu z pokrywy zawiasu.
18. Przenieść nakładkę zawiasu na drugą stronę i wyjąć prawą małą pokrywę zawiasu z torby z akcesoriami. Zamontować ją na pokrywie zawiasu.
19. Zamontować drzwiczki, zamontować lewy zawias, podłączyć kabel połączeniowy i przykręcić pokrywę zawiasu śrubami.
20. Zamontować wymontowany sworzень po lewej stronie drzwi, a następnie włożyć gumowe zaślepki do otworu sworznia klamki po prawej stronie drzwi.
21. Ukończono.

Minimalna gwarancja wynosi: 2 lata w przypadku krajów UE, 3 lata w przypadku Turcji, 1 rok w przypadku Wielkiej Brytanii, 1 rok w przypadku Rosji, 3 lata w przypadku Szwecji, 2 lata w przypadku Serbii, 5 lat w przypadku Norwegii, 1 rok w przypadku Maroka, 6 miesięcy w przypadku Algierii, Tunezja nie wymaga gwarancji prawnej.

Termostaty, czujniki temperatury, płytki drukowane i źródła światła są dostępne przez co najmniej siedem lat po wprowadzeniu ostatniej sztuki modelu do sprzedaży. Klamki drzwiczek, zawiasy drzwiczek, tace i kosze na okres co najmniej siedmiu lat oraz uszczelki drzwiczek na okres co najmniej 10 lat po wprowadzeniu ostatniej jednostki modelu na rynek.

Aby uzyskać więcej informacji na temat produktu, należy zapoznać się z <https://eprel.ec.europa.eu/> lub zeskanować QR na etykiecie energetycznej dołączonej do urządzenia.

Aby skontaktować się z pomocą techniczną, należy odwiedzić naszą stronę internetową: <https://corporate.haier-europe.com/en/>

W sekcji „strona internetowa” wybrać markę swojego produktu i swój kraj.

Nastąpi przekierowanie na konkretną stronę internetową, gdzie znajduje się numer telefonu i formularz kontaktu z pomocą techniczną

| | | |
|--|--------------------|----------|
| Znak towarowy | Haier | |
| Identyfikator modelu | H2F385*F | H2F385*D |
| Kategoria modelu | Zamrażarka pionowa | |
| Klasa efektywności energetycznej | F | D |
| Roczne zużycie energii (kWh/rok) ¹⁾ | 356 | 228 |
| Pojemność przechowywania - chłodzenie (L) | nie dotyczy | |
| Pojemność przechowywania - zamrażanie (L) **** | 386 | |
| Ocena wg gwiazdek | **** | |
| Temperatura w innych komorach > 14°C | nie dotyczy | |
| System Frost free | tak | |
| Bezpieczne odłączenie zasilania (h) | 11.5 | 11.5 |
| Pojemność zamrażalnicza (kg/24 h) | 19.5 | 19.5 |
| Klasa klimatyczna Urządzenie jest przeznaczone do użytku w temperaturze otoczenia od 10°C do 43°C. | SN-T | |
| Emisja hałasu w powietrzu (dB(A)) | 39 | |
| Typ konstrukcji | wolnostojące | |

1) w oparciu o wyniki standardowych testów w ciągu 24 godzin. Rzeczywiste zużycie energii zależy od tego, jak urządzenie jest używane i gdzie się znajduje.

Szczegółowe informacje dotyczące specyfikacji można znaleźć na tabliczce znamionowej i etykiecie energetycznej wewnątrz produktu.

Urządzenie jest przeznaczone do użytku w temperaturze otoczenia wskazanej poniżej:

| | |
|----|-----------------|
| SN | +10 °C ~ +32 °C |
| N | +16 °C ~ +32 °C |
| ST | +16 °C ~ +38 °C |
| T | +16 °C ~ +43 °C |

11.2 Dodatkowe dane techniczne

| | |
|-----------------------------------|------------------|
| Napięcie / Częstotliwość | 220-240V ~/ 50Hz |
| Prąd znamionowy (A) | 1.5 |
| Płyn Chłodniczy | R600a |
| Wymiary (wys. / szer. / gł. w cm) | 172,5/70,5/69,1 |

H2F385*F/*D_PL

Haier



Manual do utilizador

Congelador vertical

H2F385*F

H2F385*D

* - Colour code

PT

Haier

Obrigado por comprar um produto Haier.

Leia estas instruções atentamente antes de instalar ou usar este aparelho. As instruções contêm informações importantes que o ajudarão a tirar o melhor partido do aparelho e a garantir uma instalação, utilização e manutenção seguras e adequadas.

Guarde este manual num local conveniente para que possa sempre consultá-lo para o uso seguro e adequado do aparelho.

Se vender, doar ou deixar o aparelho quando mudar de casa, assegure-se de que também deixa este manual para que o novo proprietário se possa familiarizar com o aparelho e com os avisos de segurança.

AVISO: Risco de incêndio/material inflamável. O símbolo indica que existe risco de incêndio devido ao uso de materiais inflamáveis. Cuidado para evitar provocar um incêndio ao acender material inflamável.



Legenda

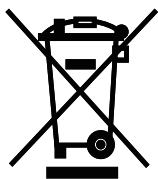
Informação geral e dicas



Advertência – Informação de Segurança Importante



Informação ambiental



Eliminação

Ajude a proteger o ambiente e a saúde humana. Pôr a embalagem em contentores adequados para ser reciclada. Ajude a reciclar resíduos de aparelhos elétricos e eletrónicos. Não eliminar aparelhos marcados com este símbolo com o lixo doméstico. Levar o produto para a sua instalação de reciclagem local ou contactar o seu serviço municipal.



Advertência!

Risco de lesão ou asfixia!

Refrigerantes e gases devem ser eliminados profissionalmente. Assegurar que a tubagem do circuito de refrigeração não está danificada antes de ser eliminado adequadamente. Desligar o aparelho da corrente elétrica. Cortar os cabos de alimentação e eliminá-los. Retirar a porta, a pega da porta e vedantes, para evitar que crianças e animais fiquem fechados no aparelho.

| | |
|--------------------------------|----|
| 1 - Segurança | 4 |
| 2-Utilização prevista | 11 |
| 3-Descrição do produto | 12 |
| 4-Uso..... | 13 |
| 5 - Equipamento | 17 |
| 6-Cuidados e Limpeza..... | 18 |
| 6-Cuidados e Limpeza..... | 19 |
| 7-Resolução de problemas | 20 |
| 8-Instalação | 23 |
| 9-Dados técnicos..... | 27 |

Antes de ligar o aparelho pela primeira vez, leia as seguintes informações de segurança!

AVISO!

Antes da primeira utilização

- ▶ Assegure-se de que não existem danos causados pelo transporte.
- ▶ Retire todas as embalagens e mantenha-as fora do alcance das crianças.
- ▶ Aguarde pelo menos 2 horas antes de instalar o aparelho para garantir que o circuito do refrigerante está totalmente eficiente.
- ▶ O aparelho é pesado, pelo que deve ser manuseados por, pelo menos, duas pessoas.

Instalação

- ▶ O aparelho deve ser colocado num local bem ventilado. Assegurar um espaço de pelo menos 5 cm acima e em volta do aparelho.
- ▶ **AVISO:** Mantenha as aberturas de ventilação no aparelho ou na estrutura embutida livres de obstruções.
- ▶ Nunca coloque o aparelho numa área húmida ou num local onde possa ser salpicado com água. Limpe e seque salpicos de água e manchas com um pano macio e limpo.
- ▶ Não instale o aparelho exposto a luz solar direta ou na proximidade de fontes de calor (por exemplo, fogões de sala, aquecedores).
- ▶ Instale e nivele o aparelho numa área adequada ao seu tamanho e utilização.
- ▶ Certifique-se de que as informações elétricas na placa de características estão de acordo com a rede de alimentação. Se não estiverem, contacte um electricista.
O aparelho é operado por uma rede de alimentação de 220-240 VCA/50 Hz.
- ▶ A flutuação anormal da tensão pode fazer com que o aparelho não funcione, ou danifique o controlo de temperatura ou o compressor, ou pode ocorrer um ruído anormal durante o funcionamento. Nesse caso, deve ser montado um regulador automático.
- ▶ Não utilize adaptadores multi fichas e cabos de extensão.
- ▶ **AVISO:** Não coloque diversas tomadas portáteis ou fontes de alimentação portáteis na parte traseira do aparelho.
- ▶ **AVISO:** Ao posicionar o aparelho, certifique-se de que o cabo de alimentação não está preso ou danificado.
- ▶ Não pise o cabo de alimentação.
- ▶ Certifique-se que o cabo de alimentação não está preso pelo congelador.
- ▶ Não cubra as aberturas de ventilação.
- ▶ Use uma tomada de ligação à terra separada para a rede de alimentação, que seja de fácil acesso. O aparelho deve ser ligado à terra.
- ▶ No modo de refrigeração sem compartimento de 4 estrelas: este aparelho de refrigeração não é adequado para congelar géneros alimentícios; em modo de congelação com um compartimento de 4 estrelas este aparelho de congelação não é para refrigerar alimentos.

**AVISO!**

- ▶ **AVISO:** Não danificar o circuito do refrigerante.

Uso diário

- ▶ Este equipamento pode ser usado por crianças a partir dos 8 anos de idade e por pessoas com incapacidade física, sensorial ou mental, ou sem experiência e conhecimentos para o fazer, desde que supervisionadas ou devidamente orientadas relativamente ao uso seguro do equipamento e sobre os perigos envolvidos.
- ▶ As crianças não podem brincar com o equipamento.
- ▶ Crianças com idades entre os 3 e os 8 anos podem carregar e descarregar aparelhos de refrigeração, mas não estão autorizadas a limpar e instalar aparelhos de refrigeração.
- ▶ Mantenha as crianças com menos de 3 anos afastadas do aparelho, exceto se forem constantemente supervisionadas.
- ▶ A limpeza e a manutenção não deve ser realizada por crianças sem a supervisão de um adulto.
- ▶ O aparelho deve ser posicionado de modo que a ficha fique acessível. Se existirem fugas de gás de carvão ou outro gás inflamável nas proximidades do aparelho, desligue a válvula da fuga de gás, abra as portas e as janelas e não desligue ou ligue o cabo de alimentação do congelador ou de qualquer outro aparelho elétrico.
- ▶ Não esqueça que o aparelho está configurado para operação na faixa ambiente específica entre 10 e 43 °C. O aparelho pode não funcionar adequadamente se for deixado durante um longo período a uma temperatura acima ou abaixo da faixa indicada.
- ▶ Não coloque artigos instáveis (objetos pesados, recipientes cheios de água) em cima do congelador, para evitar ferimentos pessoais causados por queda ou choque elétrico causado pelo contacto com a água.
- ▶ Não armazene ou utilize materiais inflamáveis, explosivos ou corrosivos no aparelho ou nas suas proximidades.
- ▶ Não levante o aparelho pelos seus puxadores.
- ▶ Nunca coloque o aparelho horizontalmente no chão quando o movimentar. Antes de qualquer operação, primeiro desligue o aparelho da rede elétrica.
- ▶ Não incline o aparelho mais de 45° para evitar danos no sistema de arrefecimento ao movimentar o aparelho.
- ▶ Desligue o aparelho da tomada no caso de uma interrupção de energia ou antes da limpeza. Aguarde pelo menos 7 minutos antes de reiniciar o aparelho, porque os reinícios frequentes podem danificar o compressor.
- ▶ Verifique o estado dos alimentos se ocorreu algum aquecimento no congelador.

AVISO!

- ▶ Não puxe pelas prateleiras da porta. A porta pode ser inclinada e puxada, as prateleiras da porta podem ser retiradas, ou o aparelho pode cair.
- ▶ Abra e feche as portas apenas pelas pegas. O espaço entre a porta e o armário é muito estreito. Não coloque as mãos nestas áreas para evitar beliscar os dedos. Abra ou feche a porta do aparelho apenas quando não estiverem crianças junto das mesmas ou ao alcance do movimento da porta.
- ▶ Nunca guarde bebidas engarrafadas no congelador, pois podem estourar quando congeladas.
- ▶ Não guarde substâncias explosivas, como latas de aerossol com um propulsor inflamável neste aparelho.
- ▶ Não guarde medicamentos, agentes bacterianos ou químicos no aparelho. Este aparelho é um aparelho para uso doméstico. Não é recomendado o armazenamento de materiais que exijam temperaturas rigorosas.
- ▶ Não guarde líquidos em garrafas ou latas (além de bebidas com alto teor de álcool) especialmente bebidas gaseificadas no congelador, pois podem estourar quando congeladas.
- ▶ Não ajuste o congelador para uma temperatura muito baixa, exceto quando estritamente necessário. Podem ocorrer temperaturas negativas em configurações altas. Atenção: As garrafas podem rebentar.
- ▶ Não toque em produtos congelados com as mãos molhadas (use luvas). Não deve comer gelados imediatamente após serem retirados do compartimento do congelador. Existe risco de congelação ou de formação de gelo. PRIMEIROS SOCORROS: colocar as mãos imediatamente debaixo de água fria corrente. Não Puxar!
- ▶ Não toque na superfície interior do compartimento congelador durante a operação, especialmente com as mãos molhadas, pois as suas mãos podem congelar na superfície.
- ▶ **AVISO:** Não use aparelhos elétricos dentro dos compartimentos de armazenamento de alimentos do aparelho, exceto se forem do tipo recomendado pelo fabricante.
- ▶ **AVISO:** As lâmpadas só podem ser substituídas pelo fabricante, em conjunto com uma parte do aparelho.
- ▶ **AVISO:** Se não tiver a certeza do tipo de refrigerante, consulte a placa de identificação na unidade. É perigoso que outra pessoa que não um Agente de Serviço Autorizado repare este aparelho. Em Queensland - o Agente de Serviço Autorizado DEVE possuir uma Autorização de Trabalho com Gás para refrigerantes à base de hidrocarbonetos, para realizar manutenção ou reparação que envolvam a remoção de tampas.

**AVISO!****Manutenção / limpeza**

- ▶ Certifique-se de que as crianças são supervisionadas se realizarem a limpeza e a manutenção.
- ▶ Desligue o aparelho da alimentação elétrica antes de realizar qualquer manutenção de rotina. Aguarde pelo menos 7 minutos antes de reiniciar o aparelho, porque os reinícios frequentes podem danificar o compressor. Ao desligar o dispositivo, puxe pela ficha e não pelo cabo. .
- ▶ Não limpe o aparelho com escovas duras, escovas de arame, detergentes em pó, combustíveis, acetato de amilo, acetona e soluções orgânicas semelhantes, soluções ácidas ou alcalinas. Limpe com detergente especial para congelador para evitar danos.
- ▶ Não raspe o gelo com objetos afiados. Não use sprays, aquecedores elétricos, secadores de cabelo, equipamento de limpeza a vapor ou outras fontes de calor, para evitar danificar as partes plásticas.
- ▶ **AVISO:** Não use nenhum outro meio para acelerar o processo de descongelação, além dos recomendados pelo fabricante.
- ▶ Se o cabo de alimentação estiver danificado, deve ser substituído pelo fabricante, pelo seu agente de serviço ou por pessoas qualificadas, para evitar perigo.
- ▶ Não tente reparar, desmontar ou modificar o aparelho sozinho. Em caso de reparação, entre em contacto com o nosso serviço ao cliente.
- ▶ Elimine a poeira na parte de trás da unidade pelo menos uma vez por ano para evitar riscos de incêndio, assim como o aumento do consumo de energia.
- ▶ Não pulverize ou lave o aparelho durante a limpeza.
- ▶ Não use spray de água ou vapor para limpar o aparelho.
- ▶ Não limpe as prateleiras de vidro ou a porta de vidro frias com água quente.
- ▶ As mudanças bruscas de temperatura podem fazer o vidro partir.
- ▶ Desligue o aparelho da rede de alimentação antes de limpar.
- ▶ Em caso de aquecimento, verifique o estado dos produtos congelados.
- ▶ Antes da manutenção, desligue o aparelho e retire a ficha da alimentação da tomada elétrica.
- ▶ Os equipamentos elétricos só devem ser reparados por peritos elétricos qualificados, porque reparações incorretas podem causar danos consideráveis.

Informações sobre gás refrigerante

AVISO!

Manutenção / limpeza

O aparelho contém o refrigerante inflamável ISOBUTANE (R600a). Certifique-se de que o circuito de refrigeração não é danificado durante o transporte ou instalação. A fuga de refrigerante pode causar lesões oculares ou ignição. Se tiver ocorrido algum dano, afaste-se das fontes abertas de incêndio, ventile bem a sala, não ligue ou desligue os cabos de alimentação do aparelho ou de qualquer outro aparelho. Informe o serviço ao cliente.

Em caso de contacto dos olhos com o refrigerante, lave-o imediatamente com água corrente e contacte imediatamente o oftalmologista.

AVISO: O sistema de refrigeração encontra-se sob alta pressão. Não faça alterações. Uma vez que são usados refrigerantes inflamáveis, instale, manuseie e realize a manutenção do aparelho estritamente de acordo com as instruções fornecidas e entre em contacto com o agente profissional ou com o nosso serviço pós-venda para eliminar o aparelho.

AVISO!

- ▶ Cuidado para evitar provocar um incêndio pela ignição de material inflamável.
- ▶ **AVISO:** Ao posicionar o aparelho, certifique-se que o cabo de alimentação não está preso ou danificado.
- ▶ **AVISO:** Não coloque diversas tomadas portáteis ou fontes de alimentação portáteis na parte traseira do aparelho.
- ▶ Não guarde substâncias explosivas, como latas de aerossol com um propulsor inflamável neste aparelho.
- ▶ Devido aos refrigerantes inflamáveis utilizados no congelador, tenha cuidado ao instalar, manusear, reparar e reciclar o aparelho.
- ▶ Entre em contacto com o agente de serviço para eliminar o aparelho devido ao gás soprado que foi usado.

Utilização prevista


Este aparelho destina-se a utilizações em aplicações domésticas e similares, como:

- Cozinhas para pessoal em lojas, escritórios e outros ambientes de trabalho;
 - Clientes em hotéis, motéis e outros ambientes tipo residenciais;
 - Alojamentos com pequeno almoço.
 - Catering e aplicações fora do retalho similares.
- ▶ Se o aparelho não for usado durante um longo período de tempo.
- Retire os alimentos.
 - Desligue o cabo de alimentação.
 - Limpe o aparelho como descrito acima.
 - Mantenha as portas abertas para evitar a criação de maus cheiros no interior.
- ▶ Para garantir a conservação segura dos alimentos, siga estas instruções de utilização.
- ▶ Os detalhes sobre a parte mais adequada do compartimento do aparelho onde devem ser armazenados tipos específicos de alimentos, considerando a distribuição de temperatura que pode estar presente nos diferentes compartimentos do aparelho, está disponível na outra parte do manual.
- ▶ Para evitar a contaminação dos alimentos, respeite as seguintes instruções:
- Abrir a porta durante longos períodos pode causar um aumento significativo da temperatura nos compartimentos do aparelho.
 - Limpar regularmente as superfícies que possam entrar em contacto com alimentos e sistemas de drenagem acessíveis.
 - Guarde os alimentos em recipientes no congelador, para que estes não entrem em contacto ou pinguem sobre outros alimentos.
 - Os compartimentos de alimentos congelados de duas estrelas são adequados para armazenar alimentos pré-congelados, armazenar ou fazer gelados e cubos de gelo.

- Os compartimentos de uma, duas e três estrelas não são adequados para congelar alimentos frescos.
- Se o aparelho de refrigeração ficar vazio durante longos períodos, deve desligar, descongelar, limpar, secar o mesmo e deixar a porta aberta para evitar o desenvolvimento do bolor no interior.

Eliminação



O símbolo  no produto ou na sua embalagem indica que este produto não pode ser tratado como resíduo doméstico. Em vez disso deve ser deixado num ponto de recolha apropriado para reciclagem de equipamentos elétricos e eletrónicos. Ao assegurar que este produto é eliminado corretamente, ajuda a prevenir potenciais consequências negativas para o ambiente e para a saúde humana, que podem ser causadas pela eliminação incorreta deste produto. Para mais informações sobre a reciclagem deste produto, contacte o departamento do município local, o serviço de eliminação de resíduos domésticos ou o local onde adquiriu o produto.

Dado que são usados gases de isolamento inflamáveis, entre em contacto com o agente profissional ou com o nosso serviço pós-venda para eliminar o aparelho.

AVISO!

Risco de ferimentos ou de asfixia!

Refrigerantes e gases devem ser eliminados de forma profissional. Certifique-se de que a tubagem do circuito de refrigeração não está danificada antes de eliminar o aparelho adequadamente. Desligue o aparelho da rede de alimentação. Corte o cabo de alimentação e elimine-o. Retire as bandejas e gavetas, assim como o fecho das portas e as vedações para evitar que crianças e animais de estimação se fechem no aparelho.

2.1 Utilização prevista

Este aparelho destina-se a utilizações em aplicações domésticas e similares, como:




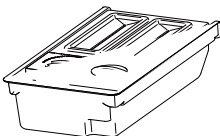

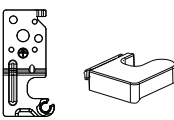
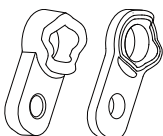
- Cozinhas para pessoal em lojas, escritórios e outros ambientes de trabalho;
- Clientes em hotéis, motéis e outros ambientes tipo residenciais;
- Alojamentos com pequeno almoço.
- Catering e aplicações fora do retalho similares.

Este aparelho destina à congelação de alimentos. Foi concebido exclusivamente para utilização em ambientes interiores secos. Não é destinado ao uso comercial ou industrial.

Não são permitidas alterações ou modificações no aparelho. O uso não intencional pode causar perigos e perda de garantias.

2.2 Acessórios

Confirme se acessórios e literatura estão de acordo com esta lista:

| | | | |
|-----|---|---|--|
| 2.2 |  |  |  |
| | Etiqueta energética | Cartão de garantia | Manual do utilizador |
| |  |  |  |
| | Máquina de gelo com concha de gelado | Tampa superior esquerda do acabamento | Dobradiça superior direita para inversão da porta |
| | | |  |
| | | | Tampa dobradiça superior direita |



Aviso: Diferença

Devido a alterações técnicas e a modelos diferentes, algumas das ilustrações deste manual podem ser diferentes do seu modelo.



- | | | | |
|---|---|---|---------------------------------|
| 1 | Lâmpada LED | 6 | Prateleiras ajustáveis da porta |
| 2 | Tampa da conduta de ar | 7 | Placa de identificação |
| 3 | Prateleiras de vidro | 8 | Maçaneta |
| 4 | Compartimentos de armazenamento do congelador | 9 | Máquina de gelo |
| 5 | Pés ajustáveis | | |

Nota: Este produto contém uma fonte de luz de classe de eficiência energética <G>.

4.1 Antes da primeira utilização

- ▶ Retire todos os materiais de embalagem, mantendo-os fora do alcance das crianças e eliminando-os de forma ecológica.
- ▶ Limpe o interior e o exterior do aparelho com água e um detergente suave antes de colocar alimentos no seu interior.
- ▶ Depois do aparelho ter sido nivelado e limpo, aguarde 2 horas antes de o ligar à rede elétrica. Consulte a secção **INSTALAÇÃO**
- ▶ Deixar o compartimento refrigerar durante 2 horas em configurações elevadas antes de colocar alimentos no interior do aparelho. A função «Super Freeze» ajuda a arrefecer mais rapidamente o compartimento.



Os diferentes alimentos devem ser colocados nas diferentes áreas, segundo as suas propriedades (Fig.4.1).

Recomenda-se que o frigorífico conserve carne, peixe, pizza e outros alimentos congelados.

- 1 Os alimentos podem ser armazenados no congelador a uma temperatura de pelo menos -18°C durante 2 a 12 meses, dependendo das suas propriedades (por exemplo, carne): 3-12 meses, vegetais: 6-12 meses).

Para evitar a expiração dos períodos de armazenamento, anote a data de congelamento, o prazo e o nome do alimento na embalagem de acordo com os períodos de armazenamento dos diferentes alimentos.

4.2 Ligar / Desligar o aparelho

O aparelho começa a funcionar quando é ligado à alimentação elétrica.

- ▶ A temperatura do congelador está ajustada automaticamente para -18°C . Esta é a configuração recomendada e a temperatura ideal para produtos congelados. Se desejar, é possível alterar a temperatura manualmente. Consulte, **AJUSTE DA TEMPERATURA**.



Aviso: Predefinições

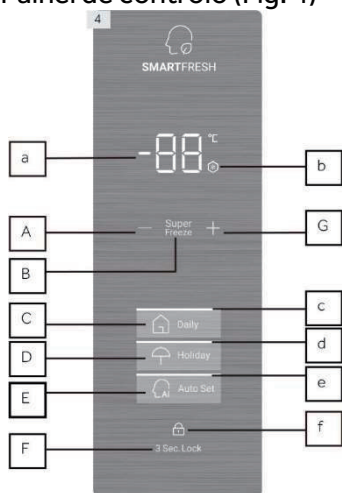
1. O aparelho está definido para a temperatura recomendada de -18°C . Em condições ambientais normais, não é necessário alterar a temperatura.
2. Quando o aparelho é ligado depois de ter estado desligado da rede de alimentação, pode demorar até 12 horas para que seja atingida a temperatura correta.

Esvazie o aparelho antes de o desligar. Para desligar o aparelho, retire o cabo de alimentação da tomada elétrica.

4.3 Modo de «Standby» do visor

Quando a porta é fechada, o visor desliga-se automaticamente 30 segundos depois de estar sem operação. O visor é bloqueado automaticamente. Acende automaticamente ao pressionar qualquer tecla ou ao abrir a porta.

4.4 Painel de controlo (Fig. 4)



Descrição de ícones

- a: Ícone de Exibição de temperatura
- b: Ícone «Super Freeze»
- c: Ícone de função «Daily»
- d: Ícone de «Holiday» [férias]
- e: Ícone Ajuste automático
- f: Ícone de Bloqueio

Descrição das teclas

- A: Tecla «Decreasing temperature setting»: Pressione para diminuir a configuração de temperatura
- B: Tecla «Super Freeze»: Pressione para ativar a função super congelação
- C: Tecla da função «Daily»: Pressione para ativar as funções diárias
- D: Tecla «Holiday»: Pressione para ativar a função de férias
- E: Tecla «Auto Set»: Pressione para ativar a função de ajuste automático
- F: Tecla «Lock»: Mantenha pressionada durante 3 segundos para bloquear ou desbloquear
- G: Tecla de «Increasing temperature setting»: Pressione para aumentar a configuração de temperatura

4.5 Bloqueio e desbloqueio do visor

Bloqueio automático

O painel de controlo pode entrar automaticamente na função Lock. O visor é bloqueado automaticamente 30 segundos após estar sem operação.

Bloqueio manual

Quando o visor está desbloqueado, mantenha pressionada a tecla "Lock" (F) durante 3 segundos, até ouvir um sinal sonoro e o ícone "Lock" (f) acender bloqueando o visor. Quando o visor está bloqueado, mantenha pressionada a tecla "Lock" (F) durante 3 segundos, até ouvir um sinal sonoro e o ícone "Lock" (f) acender desbloqueando o visor.



Aviso: Bloqueio do visor

Quando o visor está bloqueado, as funções como ajuste de temperatura ou configuração de função são desativadas. Quando a operação acima for tentada, o ícone "Lock" (f) pisca 3 vezes para lembrar que o visor está bloqueado.

4.6 Configuração de temperatura

A faixa de temperatura deste congelador pode ser definida entre -14°C ~ -24°C ;

Quando o visor está desbloqueado, na função «Daily», pressione «Decreasing temperature setting» (A) e após um sinal sonoro, o ícone «Temperature display» (a) começa a piscar e entra no modo de configuração de temperatura. Sempre que for pressionada a tecla «Decreasing temperature setting» (A), é emitido um sinal sonoro e a temperatura é diminuída 1°C até ao valor mais baixo -24°C . Depois da temperatura ser definida, o valor de ajuste da temperatura fica determinado e deixa de piscar após 5 segundos sem operação.

Depois do visor ser desbloqueado, em «Daily» pressione «Increasing temperature setting» (G) e, depois de ouvir um sinal sonoro, o ícone «Temperature display» (a) começa a piscar e entra no modo de configuração de temperatura. De seguida, sempre que pressionar «Increasing temperature setting» (G) e depois de ouvir o sinal sonoro, a temperatura aumenta em 1°C , até aos -14°C . Depois da temperatura ser definida, o valor de configuração de temperatura fica determinado e o ícone (a) deixa de piscar após 5 segundos sem operação.

4.7 Função «Daily» (C)

O aparelho começa a funcionar quando é ligado à alimentação elétrica pela primeira vez, e o ícone «Daily» (c) acende. Apenas nesta função é possível definir a temperatura.

4.8 Função Super Congelação (B)

O modo «Super Freeze» é ideal para conservar os nutrientes dos alimentos, dado que congela os alimentos em menos tempo. Antes de colocar uma grande quantidade de alimentos no congelador, ative a função «Super Freeze» para atingir uma temperatura mais baixa e assim garantir um melhor resultado de congelação.

Quando o visor está desbloqueado, ao tocar em «Super Freeze» (B), o ícone (b) acende e o congelador começa a funcionar no modo «Super Freeze». Para sair da função «Super Freeze» repita manualmente os passos acima. Caso contrário, a função é desativada automaticamente após 50 horas.

Se tiver uma grande quantidade de alimentos para congelar de uma só vez, recomenda-se que a função seja ativada 24 horas antes de colocar os alimentos. A função é desativada automaticamente após 50 horas ou manualmente. O consumo de energia aumenta quando esta função está ligada.

No modo «Super Freeze», a temperatura de operação do congelador varia dependendo da quantidade de alimentos e da temperatura ambiente. A temperatura no interior do compartimento do congelador pode ser potencialmente diminuída até -37°C .



Aviso: Super Congelação

1. No modo «Super Freeze», a temperatura não pode ser ajustada. Se o fizer, o ícone «Super Freeze» pisca 3 vezes para lembrar que o congelador está no modo «Super Freeze».
2. No modo «Super Freeze», se a função «Auto Set» ou «Holiday» for definida, o «Super Freeze» (b) é desligada automaticamente e a função «Auto Set» ou «Holiday» é ativada.

4.9 Função de «Holiday» (D)

Quando o visor está desbloqueado, ao tocar em «Holiday» (D), o ícone «Holiday» (d) acende e o congelador começa a funcionar na função «Holiday». No modo «Holiday», ao tocar em «Holiday» (D), o ícone (d) é desligado e o congelador sai da função «Holiday». No modo «Holiday», se a temperatura antes de ativar o modo for superior a -18 °C, quando a função «Holiday» é ativada, a temperatura é automaticamente ajustada para -18 °C; se a temperatura antes de ativar o modo «Holiday» for inferior a -18 °C, a temperatura permanece inalterada.



Aviso: Função «Holiday»

1. No modo «Holiday», a temperatura não pode ser ajustada. Se o fizer, o ícone «Holiday» pisca 3 vezes para lembrar que o congelador está no modo «Holiday».
2. No modo «Holiday», se a função «Auto Set», «Daily» ou «Super Freeze» estiver definida, o ícone «Holiday» (d) é desligado e a função é automaticamente desativada, sendo ativada a função «Auto Set», «Daily» ou «Super Freeze».

4.10 Função «Auto Set» (E)

Quando o visor está desbloqueado, ao tocar em «Auto Set» (E), o ícone (e) acende, o congelador funciona na função «Auto Set». No modo «Auto Set», ao tocar no ícone «Auto Set» (E), o ícone (e) é desligado e o congelador sai da função «Auto Set».

Na função «Auto Set», o congelador funciona na configuração de 18 °C.



Aviso: Função «Auto Set»

1. No modo «Auto Set», a temperatura não pode ser ajustada. Se o fizer, o ícone «Auto Set» pisca 3 vezes para lembrar que o congelador está no modo «Auto Set».
2. No modo «Auto Set», se a função «Holiday», «Daily» ou «Super Freeze» estiver definida, o «Auto Set» (e) é desligada e desativado automaticamente e o aparelho ativa a função «Holiday», «Daily» ou «Super Freeze».

4.11 Função de controlo do visor

Quando a porta é fechada, o visor desliga-se automaticamente 30 segundos depois de estar sem operação. O visor é bloqueado automaticamente. Acende automaticamente ao tocar em qualquer tecla ou ao abrir a porta.

4.12 Memória «Power-off»

Este congelador tem memória «Power-off», sendo as configurações antes de desligamento memorizadas. Depois de uma falha de energia, a congelação volta à configuração que estava ativa antes da falha e começa a funcionar. O bloqueio não é memorizado, depois da energia estar novamente ligada, o visor é desbloqueado.

4.13 Alarme de abertura da porta

Quando o congelador é mantido aberto durante mais de 1 minuto, o sinal sonoro emite 3 sinais sonoros com um intervalo de 0,5 segundos. Os alarmes serão repetidos a cada 30 segundos se a porta continuar aberta. O sinal sonoro é desativada quando a porta for fechada ou após 7 minutos da abertura da porta. O som é desativado e a luz do congelador desligada.

4.14 Alarme de temperatura alta

Este congelador está equipado com alarme de temperatura alta. No modo de congelação ou «Super freeze», se o ícone de exibição de temperatura mostrar "HH" com sons, tocando em qualquer tecla, o som é desativado, mas o ícone da temperatura continua a piscar, o que significa que a temperatura no congelador está muito alta. Verifique se a porta está bem fechada ou se foi colocada uma grande quantidade de alimentos quentes no congelador. Algum tempo depois, o ícone de exibição de temperatura deixa de piscar. Se não deixar de piscar "HH" durante muito tempo, e os alarmes sonoros cancelados manualmente voltam a tocar, entre em contacto com o serviço de pós-venda.

4.15 Indicação de erro

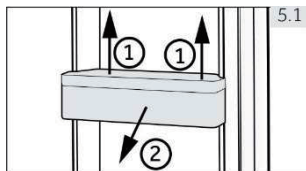
Quando o ícone do visor mostra E1, E2 e outros códigos e fica intermitente, significa que o congelador está com alguma avaria. Nesta situação, e embora o congelador ainda congele os alimentos, o utilizador deve entrar em contacto com o serviço de pós-venda o mais rápido possível para que seja realizada uma revisão ao aparelho.



4.16 Sugestões para poupança de energia

- ▶ Verifique se o aparelho está bem ventilado (consulte INSTALAÇÃO).
- ▶ Não instale o aparelho sob luz solar direta ou na proximidade de fontes de calor (por exemplo, fogões de sala, aquecedores).
- ▶ Evite temperaturas desnecessariamente baixas no aparelho. Quanto mais baixa for a temperatura no aparelho mais alto será o consumo de energia.
- ▶ Deixe os alimentos pré-cozinhados arrefecer antes de os colocar no aparelho.
- ▶ Abra a porta do aparelho o mínimo de vezes possível e o mais breve possível.
- ▶ Certifique-se de que a porta fica sempre fechada corretamente e que não está obstruída pela posição dos alimentos. Mantenha o vedante da porta limpo.
- ▶ Descongele alimentos congelados no frigorífico.
- ▶ Limpe a parte de trás do aparelho regularmente. A poeira e a sujidade aumenta o consumo de energia.
- ▶ A configuração com maior poupança de energia requer que a gaveta, a caixa de alimentos e as prateleiras estejam posicionadas no aparelho como recomendado pelo fabricante e que os alimentos a sejam colocados sem bloquear a saída da conduta de ar.

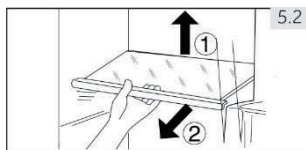
5 - Equipamento



5.1 Prateleiras de portas removíveis

As prateleiras das portas podem ser retiradas para limpeza: Segure ambos os lados da prateleira, levante-a (1) e puxe-a para fora (2) (Fig. 5.1).

Para colocar a prateleira da porta, as etapas acima são realizadas pela ordem inversa.



5.2 Prateleiras de vidro

1. Para retirar uma prateleira, retire-a primeiro elevando a sua extremidade traseira (1) e puxe-a para fora (2) (Fig. 5.2).
2. Para a voltar a colocar, posicione-a sobre os olhais laterais e empurre-a para a posição mais traseira até que a parte de trás da prateleira fique fixa no interior das ranhuras laterais.

6.1 Geral

Limpe o aparelho vazio ou com muito poucos alimentos armazenados e depois de desligar o aparelho.

- ▶ Mantenha o vedante da porta sempre limpo
- ▶ Limpe o interior e a caixa do aparelho com uma esponja humedecida em água morna e um detergente neutro.

1. Esfregue o interior e exterior do congelador, incluindo o vedante da porta, prateleiras da porta, prateleiras de vidro, caixas, etc, com um pano ou esponja macios, mergulhados em água morna a que é possível adicionar detergente neutro.
2. Se for derramado líquido, retire todas as partes molhadas, lave diretamente com água corrente, seque e volte a colocar no congelador.
3. Se for derramado algum creme (como gelado derretido), retire todas as partes molhadas, coloque-as em água morna a cerca de 40 °C durante algum tempo, lave com água corrente, seque e volte a colocar no congelador.
4. Caso alguma peça ou componente de tamanho pequeno fique preso no interior do congelador (entre as prateleiras ou as caixas de armazenamento), use uma escova macia pequena para o/a libertar. Se não conseguir chegar à peça, entre em contacto com o serviço da Haier.



6.2 Não utilização durante um período mais longo

Se o aparelho não for usado durante um longo período de tempo:

- ▶ Retire os alimentos.
- ▶ Desligue o cabo de alimentação.
- ▶ Limpe o aparelho como descrito acima.
- ▶ Mantenha as caixas de armazenamento da porta e do congelador abertas para evitar a criação de maus odores no seu interior.

Retire a porta do aparelho (abra a porta e segure-a antes de retirar os parafusos) para evitar que as crianças entrem no aparelho e fiquem fechadas.



Aviso: Desligar

Para garantir uma vida útil mais longa seu aparelho, desligue-o apenas se estritamente necessário.

6.3 Movimentar o aparelho

1. Retire todos os alimentos e desligue o aparelho da tomada.
2. Fixe as prateleiras e outras peças móveis no congelador com fita adesiva.
3. Feche a porta e fixe-a com fita adesiva.
4. Não incline o congelador mais de 45° para evitar danificar o sistema de refrigeração.
5. Proteja os pés do congelador para evitar arranhar o chão. Nunca movimente o congelador com muita força.

Muitos problemas que ocorrem podem ser resolvidos sem conhecimentos específicos. Em caso de um problema, verifique todas as possibilidades apresentadas e cumpra as instruções abaixo antes de contactar um serviço pós-venda.

O alarme acústico pode ser desligado pressionando qualquer uma das teclas.

7.1 Resolução de problemas

| Problema | Possível Causa | Possível solução |
|--|---|---|
| O compressor não funciona. | <ul style="list-style-type: none"> Se a ficha não está ligada à tomada de corrente elétrica. | <ul style="list-style-type: none"> Ligue a ficha de alimentação. |
| O aparelho funciona com frequência ou durante um período de tempo demasiado longo. | <ul style="list-style-type: none"> A temperatura interior ou exterior é demasiado elevada. O aparelho está desligado há algum tempo. A porta do aparelho não está corretamente fechada. A porta foi aberta com muita frequência ou durante demasiado tempo. A temperatura está muito baixa. O vedante da porta está sujo, desgastado, rachado ou deslocado. A circulação de ar necessária não é garantida. O interior está coberto de gelo. | <ul style="list-style-type: none"> Neste caso, é normal que o aparelho funcione durante mais tempo. Normalmente, demora 8 a 12 horas para que o aparelho arrefeça completamente. Feche a porta e certifique-se que o aparelho se encontra num terreno plano e que não há alimentos nem frascos a impedir de fechar a porta. Não abra as portas com frequência. Aumente a temperatura até atingir uma temperatura adequada. Demora 24 horas até a temperatura estabilizar. Limpe o vedante da porta ou mande substituir pelo serviço ao cliente. Garanta a ventilação adequada. Descongele o aparelho. |
| O aparelho faz ruídos anormais. | <ul style="list-style-type: none"> O aparelho não está localizado em terreno plano. O aparelho toca num objeto próximo. O aparelho encontra-se sobre um piso de madeira ou próximo de paredes de madeira. | <ul style="list-style-type: none"> Nivele o aparelho. Retire os objetos em volta do aparelho. A madeira amplifica o som. Coloque o aparelho noutra lugar. |
| O aparelho emite um som de clique | <ul style="list-style-type: none"> Isto é normal. É causado pela unidade de refrigeração a ligar ou a desligar. | <ul style="list-style-type: none"> |
| É ouvido um som leve semelhante ao da água corrente. | <ul style="list-style-type: none"> Isto é normal. | <ul style="list-style-type: none"> |

| Problema | Possível Causa | Possível solução |
|---|---|--|
| O aparelho emite um som de motor | <ul style="list-style-type: none"> • A unidade de refrigeração acabou de ligar. Isto é normal. | <ul style="list-style-type: none"> • |
| Não está frio o suficiente no interior do aparelho. | <ul style="list-style-type: none"> • A temperatura está excessivamente alta. • Demasiados alimentos armazenados. • Foram armazenados alimentos muito quentes. • Os alimentos estão muito próximos uns dos outros. • A porta não está bem fechada. • A porta foi aberta com muita frequência ou durante demasiado tempo. | <ul style="list-style-type: none"> • Redefina a temperatura. • Arrefeça sempre os alimentos antes de os armazenar. • Armazene sempre pequenas quantidades de alimentos. • Deixe um espaço entre os vários alimentos permitindo o fluxo de ar. • Feche a porta. • Não abra as portas com frequência. |
| Está muito frio o interior do aparelho. | <ul style="list-style-type: none"> • A temperatura está excessivamente baixa. • A função «Super Freeze» está ativa ou a funcionar há demasiado tempo. | <ul style="list-style-type: none"> • Redefina a temperatura. • Função «Super Freeze». |
| Humidade acumulada na superfície do aparelho. | <ul style="list-style-type: none"> • O ambiente está muito quente e muito húmido. | <ul style="list-style-type: none"> • Isto é normal em climas húmidos e vai mudar quando a humidade diminuir. Seque com um pano. |
| Muito gelo no compartimento do congelador. | <ul style="list-style-type: none"> • Os alimentos não foram adequadamente embalados. • A porta não está bem fechada. • A porta foi aberta com muita frequência ou durante demasiado tempo. • O vedante da porta está sujo, desgastado, rachado ou deslocado. • Algo no interior impede a porta de fechar corretamente. | <ul style="list-style-type: none"> • Acondicione sempre bem os alimentos. • Feche a porta. • Não abra as portas com frequência. • Limpe a junta da porta ou mande-a substituir pelo serviço ao cliente. • Reposicione as prateleiras, as prateleiras das portas ou os contentores interiores para permitir que a porta feche. |
| O sistema de refrigeração não funciona. | <ul style="list-style-type: none"> • A ficha de alimentação não está ligada à tomada elétrica. • A alimentação não está intacta. | <ul style="list-style-type: none"> • Ligue a ficha de alimentação. • Verifique a alimentação elétrica da sala. Ligue para a companhia de eletricidade local! |
| Os lados do armário e a tira da porta aquecem. | <ul style="list-style-type: none"> • Isto é normal. | <ul style="list-style-type: none"> • |
| Ouve um sinal de alarme | <ul style="list-style-type: none"> • A porta está aberta. • A temperatura no interior do aparelho é muito alta. | <ul style="list-style-type: none"> • Feche a porta ou desative o alarme manualmente. |

| Problema | Possível Causa | Possível solução |
|---|--|---|
| A porta abre com dificuldade. | <ul style="list-style-type: none"> Depois do aparelho estar a funcionar, tem um vácuo interno. | <ul style="list-style-type: none"> Abra o vedante da porta suavemente para deixar entrar ar no aparelho. |
| Não é possível fechar a porta corretamente. Fica sempre uma abertura. | <ul style="list-style-type: none"> Devido à baixa temperatura dos aparelhos, o vedante da porta pode ficar facilmente duro e deformado. | <ul style="list-style-type: none"> Use um secador de cabelo ou coloque uma toalha quente no local onde o vedante está deformado. Quando o vedante estiver novamente macio, feche a porta e comprima-a firmemente. |

7.2 Interrupção de energia

No caso de um corte de energia, os alimentos devem permanecer frios em segurança durante cerca de 15 horas. Cumpra estas indicações durante uma interrupção prolongada da energia elétrica, especialmente no verão:

- ▶ Abra a porta o menos possível.
- ▶ Não coloque mais alimentos no congelador durante uma interrupção de energia.
- ▶ Se tiver conhecimento prévio de uma interrupção de energia e a duração da interrupção for superior a 15 horas, faça um pouco de gelo e coloque-o num
- ▶ recipiente na parte superior do compartimento do congelador.

Como a temperatura no congelador aumentará durante uma interrupção de energia ou outra falha, o período de armazenamento e a qualidade dos alimentos será reduzida. Qualquer alimento que descongele deve ser consumido, ou cozinhado e congelado novamente (quando apropriado) imediatamente para evitar riscos para a saúde.



Aviso: Função de memória depois da interrupção de energia

Após o restabelecimento da energia, o aparelho continua com as configurações que foram definidas antes da falha de energia.

7.3 Parâmetros de Luz LED e substituição

Parâmetro LED Da lâmpada: 12V, 6W

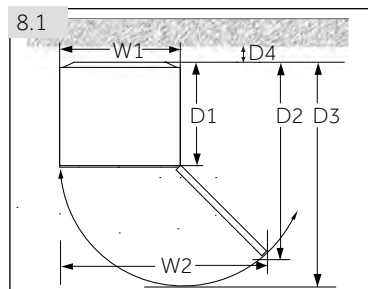
A lâmpada LED, que TEM baixo consumo de Energia e Vida útil longa. Se houver alguma abominação, por favor, não se desmonte sozinho. Por favor contacte o Pessoal pós-venda para serviço porta-a-porta.

8.1 Desembalagem

- ▶ Retire o aparelho da embalagem.
- ▶ Remova todos os materiais de embalagem.

8.2 Condições ambientais

A temperatura ambiente deve estar sempre entre 18 °C e 43 °C, uma vez que pode influenciar a temperatura no interior do aparelho e o seu consumo de energia. Não instale o aparelho perto de outros aparelhos emissores de calor (fornos, frigoríficos) sem isolamento.



8.3 Requisitos de espaço

Espaço necessário para abrir a porta (Fig. 8.1):

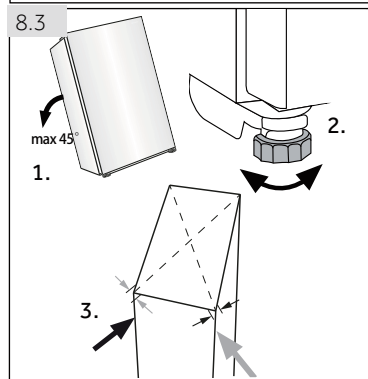
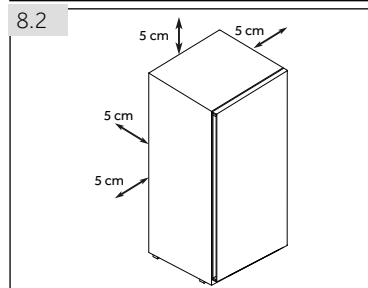
| Largura (mm) | | Profundidade em mm | | | Distância até à parede em mm |
|--------------|------|--------------------|------|------|------------------------------|
| W1 | W2 | D1 | D2 | D3 | D4 |
| 705 | 1076 | 603 | 1243 | 1327 | 50 |

Para um aparelho de pé gratuito: este aparelho de refrigeração não se destina a ser utilizado como um aparelho embutido.

8.4 Secção transversal da ventilação

Para uma ventilação suficiente do aparelho e por razões de segurança, devem ser cumpridas as indicações das secções transversais de ventilação (Fig. 8.2).

PARA um aparelho de instalação livre: este aparelho de refrigeração não pode ser utilizado como aparelho encastrado



8.5 Alinhar o aparelho

O aparelho deve ser colocado sobre uma superfície plana e sólida. Se o aparelho for colocado num pedestal, devem ser utilizados materiais fortes e resistentes ao fogo. Nunca use o material de embalagem de espuma como pedestal.

1. Incline o aparelho ligeiramente para trás (Fig. 8.3).
2. Coloque os pés no nível pretendido.
3. A estabilidade pode ser verificada batendo alternadamente nas diagonais. Uma oscilação ligeira deve ser igual em ambas as direções. Caso contrário, a estrutura pode deformar, sendo o resultado uma possível fuga pelo o vedante da porta. Uma pequena inclinação para trás facilita o fecho da porta.

8.6 Usar pés ajustáveis

Se o congelador estiver instável, os pés podem ser ajustados: Rode os pés ajustáveis de acordo com a direção da seta (Fig. 8.4) para subir ou descer:

- ▶ Rodar os pés para a direita, sobe o aparelho.
- ▶ Rodar os pés para a esquerda, desce o aparelho.

8.7 Tempo de espera

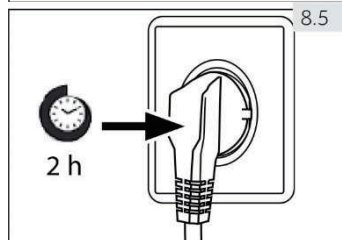
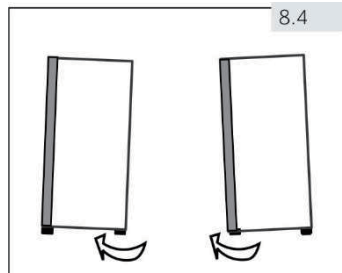
O óleo de lubrificação livre de manutenção está localizado na cápsula do compressor. Este óleo pode passar através do sistema fechado de tubos durante o transporte inclinado. Antes de ligar o aparelho à rede, deve aguardar 2 horas (Fig. 8.5) para que o óleo entre na cápsula.

8.8 Ligação elétrica

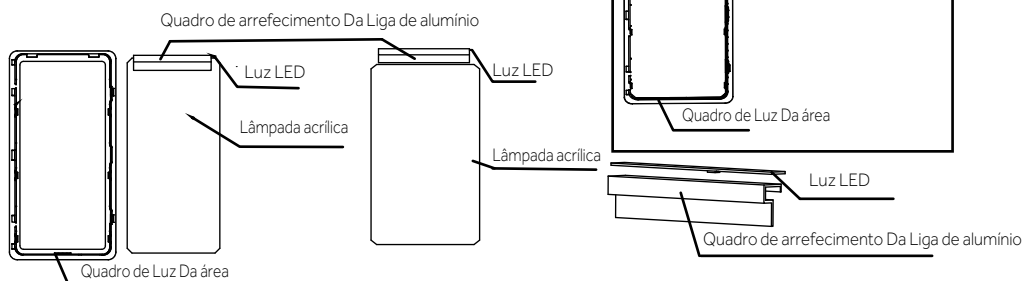
Antes de cada ligação, verifique se:

- ▶ A tomada de alimentação e o fusível são apropriados de acordo com a chapa de características.
- ▶ A tomada está ligada à terra e não tem multi-fichas ou extensões.
- ▶ A ficha e a tomada cumprem os requisitos e são compatíveis.

Ligue a ficha a uma tomada doméstica devidamente instalada.



8.9 Diagrama Da Fonte Luminosa Da área



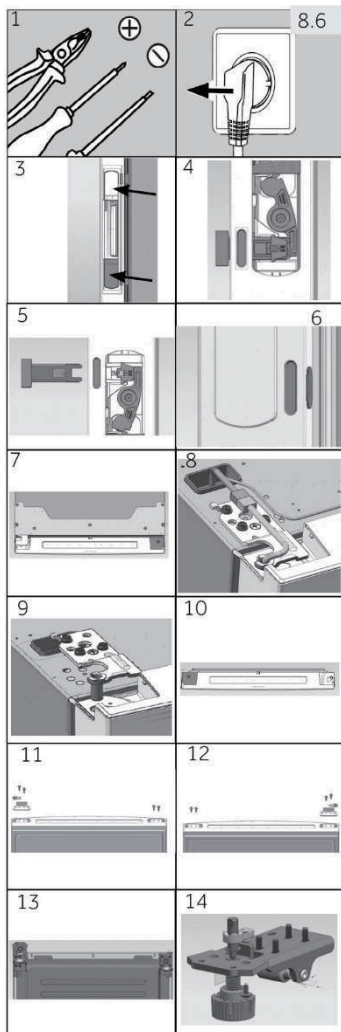
Pressione a fivela de fecho para dividir o Quadro de Luz Da área e a Fonte Luminosa Da área

Remover a FITA de Alumínio Foil EM Ambos OS lados do Quadro de arrefecimento Da Liga de alumínio, e a moldura de arrefecimento Da Liga de alumínio Pode ser removida

Dividir o Quadro de arrefecimento da Luz LED e Da Liga de alumínio (ligação adesiva de Dupla face)

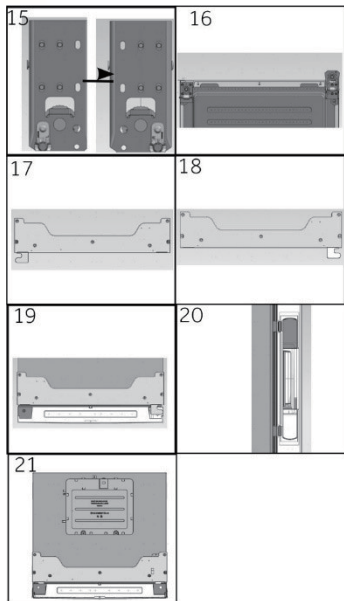
8.10 Inversão da porta

Antes de ligar o aparelho à alimentação elétrica, deve verificar se a abertura da porta deve ser alterada da esquerda (conforme entrega) para a direita, se assim o exigir o local de instalação e a utilização do aparelho.



Etapas de montagem (Fig. 8.6):

1. Obtenha a ferramenta necessária.
2. Desligue o aparelho da rede elétrica.
3. Abra as tampas da pega superior e inferior do lado direito da porta.
4. Pressione ligeiramente o controlo deslizante branco.
5. Retire a duas hastes de pressão e volte a colocar a tampa da pega.
6. Retire os dois tampões de borracha do lado esquerdo da porta e coloque-os com as hastes de pressão retiradas para o passo 20.
7. Retire os 7 parafusos e a tampa da dobradiça. Cuidado para não danificar o cabo da porta.
8. Desligue o cabo de ligação.
9. Retire os 3 parafusos de dobradiça e a dobradiça superior esquerda e retire a porta com cuidado.
10. Coloque uma caixa de papelão ou um pano debaixo da porta e pouse-a na horizontal. Retire a tampa da extremidade direita da porta e a tampa da extremidade esquerda do saco de acessórios. Instale-a no lado superior esquerdo da porta
11. Retire os 2 parafusos na parte inferior direita da porta. Retire os 2 parafusos. Batente da porta e tampa do veio na parte inferior esquerda da porta.
12. Retire o batente da porta na última etapa e a tampa direita do veio do saco de acessórios e fixe-os com 2 parafusos. Fixe 2 parafusos também do outro lado da porta.
13. Baixe a parte de trás do armário depois de colocar almofadas no chão. Retire os 4 parafusos e a dobradiça inferior.
14. Desaparafuse a tampa do veio.



15. Retire a tampa direita do veio do saco de acessórios. Fixe-o com um parafuso.
16. Troque a posição da placa do rodízio e da dobradiça inferior depois da substituição.
17. Desmonte a tampa da dobradiça pequena esquerda e a tampa da dobradiça.
18. Mude a tampa da dobradiça para o outro lado e retire a tampa da dobradiça pequena direita do saco de acessórios. Instale-a na tampa da dobradiça.
19. Monte a porta, instale a dobradiça esquerda, ligue o cabo de ligação e fixe a tampa da dobradiça com parafusos.
20. 20. Instale a haste de pressão retirada no lado esquerdo da porta e, de seguida, insira os pinos de borracha no orifício da haste de pressão da pega no lado direito da porta.
21. Acabado.

A garantia mínima é: 2 anos para os países da UE, 3 anos para a Turquia, 1 ano para o Reino Unido, 1 ano para a Rússia, 3 anos para a Suécia, 2 anos para a Sérvia, 5 anos para a Noruega, 1 ano para Marrocos, 6 meses para a Argélia, Tunísia nenhuma garantia legal necessária. Termóstatos, sensores de temperatura, placas de circuito impresso e fontes de luz estão disponíveis por um período mínimo de sete anos após a colocação da última unidade do modelo no mercado. Pegas das portas, dobradiças das portas, bandejas e cestos por um período mínimo de sete anos e vedantes das portas por um período mínimo de 10 anos, após a colocação da última unidade do modelo no mercado.

Para mais informações sobre o produto, consulte <https://eprel.ec.europa.eu/> ou digitalize o QR no rótulo energético fornecido com o aparelho.

Para entrar em contacto com a assistência técnica, visite o nosso site: <https://corporate.haier-europe.com/pt/>

Na secção "website", escolha a marca do seu produto e do seu país.

Será redirecionado para o website específico onde pode encontrar o número de telefone e o formulário para entrar em contacto com a assistência técnica.

| | | |
|---|---------------------|----------|
| Marca | Haier | |
| Identificador do modelo | H2F385*F | H2F385*D |
| Categoria do modelo | Congelador vertical | |
| Classe de eficiência energética | F | D |
| Consumo anual de energia (kWh/ano) ¹⁾ | 356 | 228 |
| Refrigeração do volume de armazenamento (L) | Não aplicável | |
| Congelamento do volume de armazenamento (L) **** | 386 | |
| Classificação por estrelas | **** | |
| Taxa de temperatura de outros compartimentos > 14 °C | Não aplicável | |
| Sistema frost free | sim | |
| Sistema frost free | 11.5 | 11.5 |
| Capacidade de congelamento (kg/24h) | 19.5 | 19.5 |
| Classe climática Este aparelho destina-se a ser utilizado a uma temperatura ambiente compreendida entre 10 °C e 43 °C | SN-T | |
| Emissões de ruído aéreo (dB(A)) | 39 | |
| Tipo de construção | Independente | |

1) baseado em resultados de testes normalizados durante 24 horas. O consumo de energia atual dependerá de como o aparelho é usado e onde está localizado.

Em relação aos detalhes da especificação, consulte a placa de classificação e o rótulo de energia dentro do produto.

Este aparelho destina-se a ser utilizado a uma temperatura ambiente indicada abaixo:

| | |
|----|-----------------|
| SN | +10 °C ~ +32 °C |
| N | +16 °C ~ +32 °C |
| ST | +16 °C ~ +38 °C |
| T | +16 °C ~ +43 °C |

11.2 Dados técnicos adicionais

| | |
|-------------------------|-------------------|
| Tensão / Frequência | 220-240V ~ / 50Hz |
| Corrente nominal (A) | 1.5 |
| Refrigerante | R600a |
| Dimensões (A/C/P em cm) | 172,5/70,5/69,1 |

H2F385*F/*D_PT

Haier

0070516587A



Návod na použitie

Vertikálna mraznička

H2F385*F
H2F385*D

* - Farebný kód

SK

Haier

Ďakujeme za zakúpenie produktu Haier.

Pred použitím tohto spotrebiča si pozorne prečítajte tieto pokyny. Pokyny obsahujú dôležité informácie, ktoré vám pomôžu vyťažiť zo spotrebiča maximum a zaisťujú bezpečnú a správnu inštaláciu, používanie a údržbu.

Túto príručku uschovajte na vhodnom mieste, aby ste si mohli kedykoľvek prečítať pokyny na bezpečné a správne používanie spotrebiča.

Ak spotrebič predávate, darujete alebo ho nechávate v domácnosti po odšťahovaní, nezabudnite s ním novému vlastníkovi odovzdať aj túto príručku, aby sa mohol oboznámiť so spotrebičom a bezpečnostnými upozorneniami.

VAROVANIE: Nebezpečenstvo požiaru/horľavý materiál. Symbol označuje nebezpečenstvo požiaru, pretože sa používajú horľavé materiály. Dávajte pozor, aby ste predišli vzniku požiaru vznietením horľavého materiálu.

Vysvetlivky



Všeobecné informácie a tipy



Varovanie – Dôležité bezpečnostné informácie



Informácie o životnom prostredí



Likvidácia

Pomáhajte chrániť životné prostredie a zdravie ľudí. Obal vyhodte do vhodných nádob na recykláciu. Pomáhajte recyklovať odpad z elektrických a elektronických prístrojov. Zariadenia označené týmto symbolom nelikvidujte s domácim odpadom. Výrobok odneste do miestneho recyklačného strediska alebo kontaktujte mestský úrad.



Varovanie!

Nebezpečenstvo poranenia alebo zadusenía!

Chladivá a plyny sa musia likvidovať profesionálnym spôsobom. Pred správnu likvidáciou sa uistite, že nie je poškodené potrubie okruhu chladiva. Spotrebič odpojte od elektrickej siete. Odrežte a zlikvidujte napájací kábel. Odstráňte dvere, západku a tesnenie dverí, aby ste zabránili zatvoreniu detí a domácich zvierat vnútri spotrebiča.

| | |
|------------------------------------|----|
| 1 - Bezpečnosť | 4 |
| 2 - Určené použitie | 11 |
| 3 - Opis produktu | 12 |
| 4 - Použitie | 13 |
| 5 - Vybavenie..... | 18 |
| 6 - Starostlivosť a čistenie | 19 |
| 7 - Riešenie problémov | 20 |
| 8 - Inštalácia..... | 23 |
| 9 - Technické údaje | 27 |

Pred prvým zapnutím spotrebiča si prečítajte nasledujúce bezpečnostné pokyny!



VAROVANIE!

Pred prvým použitím

- ▶ Uistite sa, že sa spotrebič pri preprave nepoškodil.
- ▶ Odstráňte všetky obaly a uložte ich mimo dosahu detí.
- ▶ Pred inštaláciou spotrebiča počkajte najmenej 2 hodiny, aby sa zabezpečila plná účinnosť chladiaceho okruhu.
- ▶ Spotrebič musia prenášať minimálne dve osoby, pretože je ťažký.

Inštalácia

- ▶ Spotrebič musí byť umiestnený na dobre vetranom mieste. Nad spotrebičom a v jeho okolí musíte zabezpečiť minimálne 5 cm priestor.
- ▶ **VAROVANIE:** Vetracie otvory v spotrebiči alebo v zabudovanej konštrukcii udržiavajte bez prekážok.
- ▶ Spotrebič nikdy neumiestňujte na vlhké miesto ani na miesto, kde by mohla striekať voda. Postriekania vodou a škvrny vyčistite a osušte mäkkou čistou handričkou.
- ▶ Spotrebič neinštalujte na priame slnečné svetlo ani do blízkosti zdrojov tepla (napr. kachle, ohrievače).
- ▶ Spotrebič nainštalujte a vyrovnajte na mieste, ktoré je vhodné svojou veľkosťou a využitím.
- ▶ Uistite sa, že elektrické údaje na typovom štítku sa zhodujú s údajmi pre vašu sieť. V opačnom prípade kontaktujte elektrikára.
- ▶ Spotrebič funguje pri 220 – 240 VAC/50 Hz napájaní.
- ▶ Abnormálne kolísanie napätia môže spôsobiť, že sa spotrebič nezapne, poškodí sa regulátor teploty alebo kompresor alebo sa môže pri prevádzke vyskytnúť neobvyklý hluk. V takom prípade musíte namontovať automatický regulátor.
- ▶ Nepoužívajte adaptéry s viacerými zásuvkami ani predĺžovacie káble.
- ▶ **VAROVANIE:** Na zadnú stranu spotrebiča neumiestňujte rozvodky zásuvky ani prenosné napájacie káble.
- ▶ **VAROVANIE:** Pri umiestnení spotrebiča zabezpečte, aby sa napájací kábel nezachytil ani nepoškodil.
- ▶ Na napájací kábel nestúpajte.
- ▶ Uistite sa, že napájací kábel nie je zachytený v mrazničke.
- ▶ Nezakrývajte vetracie otvory.
- ▶ Na elektrické napájanie použite samostatnú uzemnenú zásuvku, aby k nej bol zabezpečený jednoduchý prístup. Spotrebič musí byť uzemnený.

**VAROVANIE!**

- ▶ V režime chladenia bez 4-hviezdičkového oddelenia: toto chladiace zariadenie nie je vhodné na mrazenie potravín; v režime mrazenia so 4-hviezdičkovým oddelením nie je toto mraziace zariadenie určené na chladenie potravín.
- ▶ **VAROVANIE:** Nepoškodte chladiaci okruh.

Každodenné používanie

- ▶ Deti staršie ako 8 rokov a osoby s obmedzenými fyzickými, zmyslovými alebo duševnými schopnosťami alebo nedostatkom skúseností či vedomostí môžu tento spotrebič používať pod dohľadom, resp. po poučení a oboznámení sa s bezpečným spôsobom používania a porozumení možným nebezpečenstvám.
- ▶ Deti sa so spotrebičom nesmú hrať.
- ▶ Deti vo veku od 3 do 8 rokov môžu do chladiacich spotrebičov nakladať a vykladať potraviny, nesmú ich však čistiť ani inštalovať.
- ▶ Deťom do 3 rokov nedovoľte, aby sa priblížili ku spotrebiču, pokiaľ nie sú pod neustálym dohľadom.
- ▶ Čistenie a údržbu deti bez dozoru nesmú vykonávať.
- ▶ Zariadenie musí byť umiestnené tak, aby bola zástrčka prístupná.
- ▶ Ak v blízkosti spotrebiča uniká zemný plyn alebo iný horľavý plyn, zatvorte ventil unikajúceho plynu, otvorte dvere a okná a neodpájajte ani nezapájajte zástrčku elektrického napájacieho kábla mrazničky ani iného spotrebiča.
- ▶ Všimnite si, že spotrebič je nastavený na prevádzku v špecifickom klimatickom pásme 10 °C až 43 °C. Spotrebič možno nebude fungovať správne, ak sa ponechá dlho v prostredí s teplotou, ktorá je vyššia alebo nižšia než je uvedený rozsah.
- ▶ Na mrazničku neumiestňujte nestabilné predmety (ťažké predmety, nádoby naplnené vodou), aby nedošlo k zraneniu osôb následkom pádu alebo úrazu elektrickým prúdom po kontakte s vodou.
- ▶ V spotrebiči ani v jeho blízkosti neskladujte a nepoužívajte horľavé, výbušné alebo korozívne materiály.
- ▶ Spotrebič nezdvíhajte za rukoväti dverí.
- ▶ Spotrebič pri premiestňovaní nikdy nekladte na podlahu v horizontálnej polohe.
- ▶ Pred akoukoľvek činnosťou najskôr odpojte spotrebič od elektrickej siete.
- ▶ Spotrebič pri premiestňovaní nenakláňajte o viac než 45°, aby ste predišli poškodeniu chladiaceho systému.
- ▶ V prípade prerušenia napájania alebo pred čistením odpojte spotrebič zo zásuvky. Pred opätovným zapnutím spotrebiča počkajte najmenej 7 minút, pretože časté spúšťanie môže poškodiť kompresor.



VAROVANIE!

- ▶ Ak došlo v mrazničke k ohrevu, skontrolujte stav potravín.
- ▶ Neťahajte za police vo dverách. Dvere by sa mohli skriviť, policičky dverí odtrhnúť alebo by sa spotrebič mohol prevrátiť.
- ▶ Dvere otvárajte a zatvárajte iba pomocou rúkaví. Medzera medzi dverami a skrinkou je veľmi úzka. Do týchto priestorov nevkladajte ruky, aby nedošlo k pricviknutiu prstov. Dvere spotrebiča otvárajte alebo zatvárajte iba vtedy, ak v rozsahu pohybu dverí nestoja žiadne deti.
- ▶ Do mrazničky nikdy neodkladajte fľaškové pivo alebo iné nápoje, pretože by počas mrazenia došlo k ich prasknutiu.
- ▶ V tomto spotrebiči neskladujte výbušné látky ako sú plechovky s aerosólmi, ktoré podporujú horenie.
- ▶ V spotrebiči neskladujte lieky, baktérie ani chemické látky. Tento spotrebič je určený na použitie v domácnosti. Neodporúča sa skladovať materiály, ktoré vyžadujú presné teploty.
- ▶ V mrazničke nikdy neskladujte tekutiny vo fľašiach alebo plechovkách (okrem liehovín s vysokým obsahom alkoholu), najmä sýtené nápoje, pretože tieto počas mrazenia prasknú.
- ▶ V priehradke mrazničky nenastavujte zbytočne nízku teplotu. Pri vysokých nastaveniach sa môžu vyskytnúť mínusové teploty. Pozor: Fľaše môžu prasknúť.
- ▶ Zmrazených potravín sa nedotýkajte mokkými rukami (nasad'te si rukavice). Najmä nekonzumujte nanuky ihneď po vybratí z mrazničky. Existuje riziko primrznutia alebo vytvorenia pluzgierov z mrazu. PRVÁ pomoc: ihneď umiestnite pod tečúcu studenú vodu. Neodstraňujte ťahaním!
- ▶ Počas prevádzky sa nedotýkajte vnútorného povrchu priestoru mrazničky, najmä nie mokkými rukami, pretože by vám mohli ruky primrznúť k povrchu.
- ▶ **VAROVANIE:** Vnútri boxov spotrebiča na skladovanie potravín nepoužívajte elektrické spotrebiče, pokiaľ ich používanie neschválil výrobca.
- ▶ **VAROVANIE:** Svetidlá smie vymeniť iba výrobca spolu s dielom spotrebiča.
- ▶ **VAROVANIE:** Ak máte nejaké pochybnosti o chladive, skontrolujte typový štítok v jednotke. Servis tohto spotrebiča je nebezpečný, pokiaľ ho vykonáva ktokoľvek iný okrem autorizovaného servisného technika. V Queenslande - autorizovaná servisná osoba MUSÍ BYŤ držiteľom oprávnenia na prácu s plynom pre chladivá s obsahom uhľovodíkov, na vykonávanie servisu alebo opráv, ktoré zahŕňajú odstránenie krytov.

Údržba/čistenie

- ▶ Keď čistenie a údržbu vykonávajú deti, nenechávajte ich bez dozoru.

**VAROVANIE!**

- ▶ Pred vykonávaním akejkoľvek bežnej údržby odpojte spotrebič od elektrickej siete. Pred opätovným zapnutím spotrebiča počkajte najmenej 7 minút, pretože časté spúšťanie môže poškodiť kompresor.
- ▶ Pri odpájaní spotrebiča chyťte zástrčku, nie kábel.
- ▶ Spotrebič nečistite tvrdými kefami, drôtenými kefami, čistiacim práškom, benzínom, amylacetátom, acetónom ani podobnými organickými roztokmi, kyselinami ani zásadami. Čistite pomocou špeciálneho čistiaceho prostriedku na mrazničky, aby ste zabránili poškodeniu.
- ▶ Námraza a ľad nezoškrabávajte ostrými predmetmi. Nepoužívajte spreje, elektrické ohrievače ako ohrievač, sušič vlasov, parné čističe alebo iné zdroje tepla, aby nedošlo k poškodeniu plastových častí.
- ▶ **VAROVANIE:** Na urýchlenie odmrázovania nepoužívajte mechanické nástroje ani iné prostriedky s výnimkou tých, ktoré odporúča výrobca.
- ▶ Ak je poškodený vonkajší napájací kábel, v záujme eliminácie akéhokoľvek rizika ho musí vymeniť výrobca, jeho servisný zástupca alebo rovnako kvalifikovaná osoba.
- ▶ Spotrebič sa nepokúšajte sami opravovať, rozoberať alebo upravovať. V prípade opravy kontaktujte náš zákaznícky servis.
- ▶ Aspoň raz za rok odstráňte prach zo zadnej strany jednotky, aby ste predišli nebezpečenstvu požiaru a zvýšenej spotrebe energie.
- ▶ Počas čistenia na spotrebič nestriekajte ani ho neoplachujte.
- ▶ Na čistenie spotrebiča nepoužívajte prúd vody ani paru.
- ▶ Studené sklenené poličky alebo sklenené dvere neumývajte horúcou vodou. Náhla zmena teploty môže spôsobiť rozbitie skla.
- ▶ Spotrebič pred čistením odpojte od elektrickej siete.
- ▶ Ak dôjde k zahriatiu, skontrolujte stav zmrazených potravín.
- ▶ Pred údržbou spotrebič vypnite a vyťahnite zástrčku zo zásuvky.
- ▶ Údržbu elektrického zariadenia môže vykonávať iba kvalifikovaný elektrikár, pretože neodborné opravy môžu spôsobiť značné následné škody.

Informácie o chladiacom plyne



VAROVANIE!

Spotrebič obsahuje horľavé chladivo IZOBUTÁN (R600a). Uistite sa, že sa počas prepravy alebo inštalácie nepoškodil chladiaci okruh. Unikajúce chladivo môže spôsobiť poranenie očí alebo vznietenie. Ak došlo k poškodeniu, udržujte zdroje otvoreného ohňa mimo spotrebiča, dôkladne vyvetrajte miestnosť a **nepripájajte** ani neodpájajte napájacie káble spotrebiča ani žiadneho iného spotrebiča. Informujte zákaznícky servis.

V prípade kontaktu očí s chladivom, okamžite vypláchnite oči pod tečúcou vodou a okamžite kontaktujte očného lekára.

VAROVANIE: Chladiaci systém je pod vysokým tlakom. Nemanipulujte s ním. Vzhľadom na použitie horľavých chladív spotrebič nainštalujte, manipulujte s ním a opravujte ho výhradne podľa pokynov. Informácie o likvidácii spotrebiča vám poskytne profesionálny zástupca alebo náš popredajný servis.



VAROVANIE!

- ▶ Dávajte pozor, aby ste zabránili vzniku požiaru vznietením horľavého materiálu.
- ▶ **VAROVANIE:** Pri umiestnení spotrebiča zabezpečte, aby sa napájací kábel nezachytil ani nepoškodil.
- ▶ **VAROVANIE:** Na zadnú stranu spotrebiča neumiestňujte rozvodné prenosné zásuvky ani prenosné zdroje napájania.
- ▶ V tomto spotrebiči neskladujte výbušné látky ako sú plechovky s aerosólmi, ktoré podporujú horenie.
- ▶ Keďže sa v mrazničke používajú horľavé chladivá, pri inštalácii, manipulácii, údržbe a recyklácii spotrebiča dávajte pozor.
- ▶ Pretože sa používajú horľavé plyny, požiadajte o likvidáciu servisného zástupcu.


Určené použitie

Tento spotrebič je určený na používanie v domácnostiach a podobných aplikáciách, ako sú

- kuchynské priestory pre personál v obchodoch, úradoch a iných pracovných prostrediach;
 - farmy a pre zákazníkov v hoteloch, motelloch a ďalších prostrediach rezidenčného typu;
 - prostredie typu prenocovania s raňajkami;
 - stravovacie služby a podobné, iné ako maloobchodné, priestory.
- ▶ Ak nebudete spotrebič dlhší čas používať.
- Vyberte potraviny.
 - Odpojte napájací kábel.
 - Spotrebič vyčistite podľa vyššie uvedeného návodu.
 - Dvere nechajte otvorené, aby sa vo vnútri nevytvárali neprijemné pachy.
- ▶ Pre zaistenie bezpečného uchovávaní potravín postupujte podľa tohto návodu na použitie.
- ▶ Podrobnosti o najvhodnejšej časti v priehradke spotrebiča, kde sa majú skladovať určité druhy potravín, s ohľadom na rozloženie teploty, ktorá môže byť prítomná v rôznych priehradkách spotrebiča, sú uvedené v druhej časti príručky.
- ▶ Aby ste zabránili kontaminácii potravín, dodržiavajte nasledujúce pokyny:
- Otvorenie dverí na dlhší čas môže spôsobiť výrazné zvýšenie teploty v priehradkách spotrebiča.
 - Pravidelne čistite povrchy, ktoré môžu prísť do styku s potravinami a dostupné systémy na vypúšťanie vody.
 - Surové mäso a ryby skladujte v mrazničke vo vhodných nádobách tak, aby sa nedostali do kontaktu s inými potravinami alebo aby na ne nekvapkali.
 - Dvojhviezdičkové priehradky na mrazené potraviny sú vhodné na skladovanie vopred zmrazených potravín, skladovanie alebo výrobu zmrzliny a výrobu kociek ľadu.
- ▶ Spotrebiče bez oddelenia označeného 4 hviezdčkami: tento chladiaci spotrebič nie je vhodný na zmrazovanie potravín.
- Priehradky s jednou, dvomi a tromi hviezdčkami nie sú vhodné na mrazenie čerstvých potravín.
 - Ak chcete nechať chladiaci spotrebič dlhší čas prázdny, vypnite ho, rozmrazte, vyčistite, vysušte a dvere nechajte otvorené, aby sa vo vnútri spotrebiča nerozmnožovali plesne.

Likvidácia



Symbol  na výrobku alebo jeho balení označuje, že sa s ním nesmie zaobchádzať ako s komunálnym odpadom. Namiesto toho je treba spotrebič odovzdať v príslušnom zbernom stredisku na recykláciu elektrických a elektronických zariadení. Zabezpečením správnej likvidácie tohto výrobku pomôžete zabrániť možným negatívnym vplyvom na životné prostredie a ľudské zdravie, ktoré by inak mohli byť spôsobené nevhodným postupom pri jeho likvidácii. Podrobnejšie informácie o recyklácii tohto výrobku získate na príslušnom miestnom úrade, v zberných surovinách alebo v predajni, kde ste si výrobok zakúpili.

Vzhľadom na použitie horľavých plynov dajte spotrebič zlikvidovať profesionálnemu zástupcovi alebo v našom popredajnom servise.

VAROVANIE!

Nebezpečenstvo zadusenía!

Chladivá a plyny sa musia likvidovať profesionálnym spôsobom. Pred správnu likvidáciou sa uistite, že nie je poškodené potrubie okruhu chladiva. Spotrebič odpojte od elektrickej siete. Odrežte a zlikvidujte napájací kábel. Vyberte podnosy a zásuvky, ako aj západku a tesnenie dverí, aby ste zabránili zatvoreniu detí a domácich zvierat vnútri spotrebiča.

2.1 Určené použitie

„Tento spotrebič je určený na používanie v domácnostiach a podobných aplikáciách, ako

- kuchynské priestory pre personál v obchodoch, úradoch a iných pracovných prostrediach;
- farmy a pre zákazníkov v hoteloch, motelloch a ďalších prostrediach rezidenčného typu;
- prostredie typu prenocovania s raňajkami;
- stravovacie služby a podobné, iné ako maloobchodné, priestory.

Tento spotrebič je určený na mrazenie potravín. Bol navrhnutý výlučne na použitie v suchých vnútorných domácich priestoroch. Nie je určený na komerčné ani priemyselné použitie.

Zmeny alebo úpravy spotrebiča nie sú povolené. Neúmyselné použitie môže spôsobiť nebezpečenstvo a stratu nárokov na záruku.

2.2 Príslušenstvo

Skontrolujte príslušenstvo a dokumentáciu podľa tohto zoznamu:

2.2

| | | |
|--|--|---|
|  |  |  |
| Energetický štítok | Záručný list | Návod na použitie |
|  |  |  |
| Výrobník ľadu | Horný ľavý koncový kryt lišty | Pravý horný záves pre obrátenie otvárania dverí |
| | |  |
| | | Kryt pravého horného závesu |



Poznámka: Rozdiel

Z dôvodu technických zmien a rôznych modelov sa môžu niektoré ilustrácie v tejto príručke líšiť od vášho modelu.



- | | | | |
|---|-------------------------|---|---------------------------------|
| 1 | LED osvetlenie | 6 | Nastaviteľné poličky na dverách |
| 2 | Kryt vzduchového kanála | 7 | Typový štítok |
| 3 | Sklenené police | 8 | Rukoväť |
| 4 | Zásobníky mrazničky | 9 | Výrobník ľadu |
| 5 | Nastaviteľné nožičky | | |

Poznámka: Tento výrobok obsahuje svetelný zdroj triedy energetickej účinnosti <G>.

4.1 Pred prvým použitím

- ▶ Odstráňte všetky obalové materiály a odložte ich mimo dosahu detí. Zlikvidujte ich s ohľadom na životné prostredie.
- ▶ Pred vložením potravín spotrebič umyte vodou a jemným čistiacim prostriedkom zvnútra aj zvonka.
- ▶ Po vyrovnaní a vyčistení spotrebiča počkajte pred pripojením k elektrickej sieti minimálne 2 hodiny. Pozrite časť INŠTALÁCIA.
- ▶ Pred vložením potravín priehradku 2 hodiny predchladte na vysokých nastaveniach. Funkcia Super Freeze pomáha rýchlo ochladiť mraziaci priestor.



Rôzne potraviny je potrebné umiestniť do rôznych oblastí podľa ich vlastností (obr.: 4.1). Mraziaci box sa odporúča na skladovanie mäsa, rýb, pizze a iných mrazených potravín.

Potraviny je možné skladovať v mrazičke pri teplote najmenej -18°C od 2 až 12 mesiacov, v závislosti od ich vlastností (napr. mäso: 3 – 12 mesiacov, zelenina: 6 – 12 mesiacov). Aby sa predišlo uplynutiu doby skladovania, všimnite si dátum zmrazenia, trvanlivosť a názov potraviny na obale a podľa toho skladujte rôzne potraviny.

4.2 Zapnutie/vypnutie spotrebiča

Spotrebič sa zapne ihneď po pripojení k zdroju elektrického napájania.

- ▶ Teplota mrazičky sa automaticky nastaví na -18°C . Toto je odporúčané nastavenie a ideálna teplota pre mrazený tovar. Ak je to potrebné, môžete tieto teploty zmeniť manuálne. Pozrite časť NASTAVENIE TEPLoty.



Poznámka: Prednastavenia

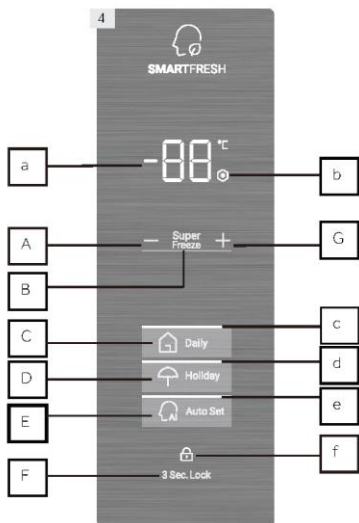
1. Spotrebič je prednastavený na odporúčanú teplotu -18°C . Za normálnych podmienok okolia teplotu nemusíte meniť.
2. Ak spotrebič zapnete po predchádzajúcom odpojení od elektrického napájania, môže trvať až 12 hodín, kým sa dosiahne správna teplota.

Pred vypnutím spotrebič vyprázdňte. Ak chcete spotrebič vypnúť, vytiahnite napájací elektrický kábel zo zásuvky.

4.3 Pohotovostný režim displeja

Po zatvorení dverí sa obrazovka displeja automaticky vypne do 30 sekúnd bez vykonania akejkoľvek činnosti. Displej sa automaticky uzamkne. Automaticky sa rozsvieti stlačením ľubovoľného tlačidla alebo pri otvorení dverí.

4.4 Ovládací panel (obr. 4)



Opis ikon

- a: Ikona displeja teploty
- b: Ikona Super Freeze
- c: Ikona dennej funkcie Daily
- d: Ikona Holiday
- e: Ikona Auto Set
- f: Ikona zámky

Opis klúča

- A: Kláves na nastavenia zníženia teploty: Stlačením znížite teplotu
- B: Kláves Super Freeze: Stlačením sa aktivuje funkcia Super Freeze
- C: Kláves funkcie Daily: Stlačením sa aktivuje denná funkcia Daily
- D: Kláves Holiday: Stlačením sa aktivuje funkcia Holiday
- E: Tlačidlo Auto Set: Stlačením sa aktivuje funkcia Auto Set
- F: Kláves Zámka: Stlačením a podržaním 3 sekundy sa tlačidlá zamknú alebo odomknú
- G: Kláves na nastavenia zvýšenia teploty: Stlačením zvýšite teplotu

4.5 Zamknutie a odomknutie displeja

Automatické uzamknutie

Ovládací panel môže automaticky aktivovať funkciu Lock. Displej sa automaticky uzamkne po 30 sekundách bez akejkoľvek činnosti.

Manuálne uzamknutie

Keď je displej odomknutý, stlačte tlačidlo „Lock“ (Zamknúť) (F) a podržte ho 3 sekundy. Po pípnutí sa rozsvieti ikona „Lock“ (Zamknúť) (f), displej bude uzamknutý. Keď je displej uzamknutý, stlačte tlačidlo „Lock“ (F) a podržte ho 3 sekundy. Po pípnutí ikona „Lock“ (f) zhasne a displej sa odomkne.



Poznámka: Zámka displeja

Ak je displej uzamknutý, sú funkcie, ako je nastavenie teploty alebo funkcia nastavenia, neaktívne. Ak sa pokúsite o vyššie uvedenú činnosť, ikona „Zámka“ (f) 3-krát blikne, aby pripomenula, že displej je uzamknutý.

4.6 Nastavenie teploty

Rozsah teplôt tejto mrazničky je možné nastaviť v rozsahu -14 °C ~ -24 °C;

Keď je displej odomknutý, v dennej funkcii Daily stlačte tlačidlo „Zníženie nastavenia teploty“ (A), po pípnutí začne blikať ikona „Zobrazenie teploty“ (a) a prejde do režimu nastavenia teploty. Následne po každom stlačení tlačidla „Nastavenie klesajúcej teploty“ (A) bzučiak zapípa, teplota sa zníži o 1 °C, pričom najnižšia hodnota je -24 °C. Po nastavení teploty sa nastavená hodnota teploty potvrdí a po 5 sekundách bez akéhokoľvek úkonu prestane blikať.

Po odomknutí displeja vo funkcii Daily stlačte tlačidlo „Nastavenie zvyšovania teploty“ (G). Po pípnutí začne blikať ikona „Displej teploty“ (a) a prejde do režimu nastavenia teploty. Následne po každom stlačení tlačidla „Nastavenie zvyšovania teploty“ (G) bzučiak zapípa, teplota sa zvýši o 1 °C až na hodnotu -14 °C. Po nastavení teploty sa určí nastavená hodnota teploty a ikona (a) prestane blikať po 5 sekundách bez akéhokoľvek úkonu.

4.7 Funkcia Daily (C)

Spotrebič je v režime Daily ihneď po prvom pripojení k elektrickému napájaniu a rozsvieti sa ikona „Daily“ (c). Teplota sa dá nastaviť iba v rámci tejto funkcie.

4.8 Funkcia Super Freeze (B)

Režim Super Freeze je optimálny na zachovanie nutričných hodnôt potravín, potraviny je možné zmraziť v kratšom čase. Pred vložením väčšieho množstva potravín do mrazničky aktivujte funkciu Super Freeze, čím sa dosiahne nižšia teplota a lepšie výsledky mrazenia. Po odomknutí displeja sa dotykom ikony „Super Freeze“ (B) rozsvieti ikona Super Freeze (b) a mraznička bude fungovať v režime Super Freeze. Ak chcete funkciu Super Freeze ukončiť manuálne, zopakujte vyššie uvedené kroky. V opačnom prípade sa funkcia automaticky ukončí po 50 hodinách.

Ak chcete naraz zmraziť veľké množstvo potravín, odporúčame vám funkciu aktivovať 24 hodín pred vložením potravín. Funkcia sa automaticky vypne po 50 hodinách alebo manuálne. Keď je táto funkcia zapnutá, spotreba elektrickej energie sa zvýši.

V režime Super Freeze sa prevádzková teplota mrazničky mení v závislosti od množstva vložených potravín a podmienok okolia. Teplota vnútri mraziaceho priestoru sa môže potenciálne znížiť na -37 °C.



Poznámka: Super Freeze

1. V režime Super Freeze sa teplota nedá upravovať. Ak sa o to pokúsite, ikona Super Freeze 3-krát blikne, aby vám pripomenul, že mraznička je v režime Super Freeze.
2. Ak je v režime Super Freeze nastavená funkcia Auto Set alebo Holiday, funkcia Super Freeze (b) je vypnutá, funkcia Super Freeze sa automaticky ukončí a zadá sa funkcia Auto Set alebo Holiday.

4.9 Funkcia Holiday (D)

Po odomknutí displeja sa dotykom tlačidla „Holiday“ (D) rozsvieti ikona Holiday (d), mraznička bude fungovať vo funkcii Holiday. V režime Holiday sa stlačením tlačidla „Holiday“ (D) ikona Holiday (d) vypne a mraznička funkciu Holiday ukončí. V režime Holiday, ak je teplota pred vstupom do režimu Holiday vyššia ako -18°C , po vstupe do režimu Holiday sa teplota automaticky nastaví na -18°C . Ak je teplota pred vstupom do režimu Holiday nižšia ako -18°C , po vstupe do režimu Holiday sa teplota nezmení.



Poznámka: Funkcia Holiday

1. V režime Holiday sa teplota nedá nastaviť. Ak tak urobíte, ikona Holiday 3-krát blikne, aby pripomenula, že mraznička je v režime Holiday.
2. Ak v režime Holiday nastavíte funkciu Auto Set, Daily alebo Super Freeze, ikona Holiday (d) zhasne, funkcia Holiday sa automaticky ukončí a aktivuje sa funkcia Auto Set, Daily alebo Super Freeze.

4.10 Funkcia Auto Set (E)

Keď je displej odomknutý, dotykom na ikonu "Auto Set" (E) sa rozsvieti ikona "Auto Set" (e) a mraznička funguje vo funkcii Auto Set. V režime Auto Set sa stlačením ikony „Auto Set“ (E) ikona (e) vypne a mraznička ukončí funkciu Auto Set.

V rámci funkcie Auto Set funguje mraznička pri nastavení -18°C .



Poznámka: Funkcia Auto Set

1. V režime Auto Set nebolo možné nastaviť teplotu. Ak tak urobíte, ikona Auto Set 3-krát blikne, aby pripomenula, že mraznička je v režime Auto Set.
2. Ak sa v režime Auto Set nastaví funkcia Holiday, Daily alebo Super Freeze, „Auto Set“ (e) sa vypne, funkcia Auto Set sa automaticky ukončí a aktivuje sa funkcia Holiday, Daily alebo Super Freeze.

4.11 Funkcia ovládania displeja

Po zatvorení dverí sa obrazovka displeja automaticky vypne do 30 sekúnd bez vykonania akejkoľvek činnosti. Displej sa automaticky uzamkne. Automaticky sa rozsvieti po dotyku ktoréhokoľvek tlačidla alebo otvorením dverí.

4.12 Pamäť po vypnutí

Táto mraznička disponuje pamäťou po vypnutí, nastavenia pred vypnutím sa zapamätajú. Po opätovnom zapnutí sa mraznička vráti k nastaveniu pred vypnutím a bude pokračovať v činnosti. Detská zámka nie je uložená v pamäti, preto bude displej po opätovnom zapnutí napájania odomknutý.

4.13 Alarm otvorených dverí

Ak je mraznička otvorená dlhšie ako 1 minútu, zaznejú 3 pípnutia v 0,5-sekundovom intervale. Ak zostanú dvere otvorené, pípnutia sa budú opakovať každých 30 sekúnd. Pípnutia budú pokračovať až do zatvorenia dverí alebo 7 minút po otvorení dverí. Bzučiak prestane pípať a kontrolka mrazničky zhasne.

4.14 Alarm vysokej teploty

Táto mraznička je vybavená alarmom vysokej teploty. Ak sa v režime mrazenia alebo Super Freeze zobrazí na displeji teploty ikona „HH“ s pípaním, stlačením ľubovoľného tlačidla sa pípnutie zastaví, ale ikona na displeji bude naďalej blikať, čo znamená, že teplota v mrazničke je príliš vysoká. Skontrolujte, či sú dvere tesne zatvorené alebo či nie je v mrazničke vložené veľké množstvo teplých potravín. Po určitom čase ikona displeja teploty prestane blikať. Ak „HH“ neprestane dlhšiu dobu blikať a znovu zapípa, že sú znovu manuálne zrušené krúžky, požiadajte o pomoc popredajný servis.

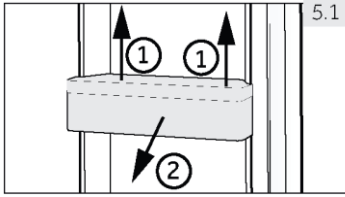
4.15 Indikácia chyby

Keď sa na displeji ikon zobrazí E1, E2 a iné blikajúce kódy, znamená to, že na mrazničke je porucha. V takejto situácii môže mraznička ešte stále mraziť, ale používateľ by mal čo najskôr kontaktovať popredajný servis, aby sa obnovilo optimálne ovládanie mrazničky.



4.16 Tipy na úsporu energie

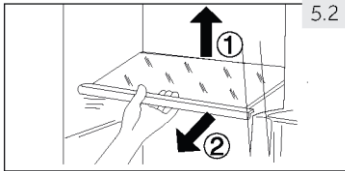
- ▶ Uistite sa, že je spotrebič správne vetraný (pozrite časť INŠTALÁCIA).
- ▶ Spotrebič neinštalujte na priame slnečné svetlo ani do blízkosti zdrojov tepla (napr. kachle, ohrievače).
- ▶ Zabráňte zbytočne nízkej teplote v spotrebiči. Čím je nižšia nastavená teplota v spotrebiči, tým vyššia bude spotreba energie.
- ▶ Pred vložením do spotrebiča nechajte teplé jedlo vychladnúť.
- ▶ Dvere spotrebiča otvárajte čo najmenej a na čo najkratšie.
- ▶ Uistite sa, že sú dvere vždy správne zatvorené a nie sú obmedzené polohou potravín. Tesnenie dverí udržiavajte čisté.
- ▶ Mrazené potraviny rozmrazujte v chladničke.
- ▶ Pravidelne čistite zadnú časť spotrebiča. Prach zvyšuje spotrebu energie.
- ▶ Konfigurácia s najvyššou úsporou energie vyžaduje, aby bola zásuvka, box na potraviny a police umiestnené v spotrebiči na mieste, v akom boli dodané z výroby a aby boli potraviny umiestnené bez blokovania výstupu vzduchu z potrubia.



5.1 Vyberateľné poličky na dverách

Poličky na dverách sa dajú vybrať na čistenie: Uchopte poličku oboma rukami, nadvihnite ju (1) a vytiahnite (2) (obr. 5.1).

Ak chcete poličku vložiť späť do dverí, vykonajte vyššie uvedené kroky v opačnom poradí.



5.2 Sklenené police

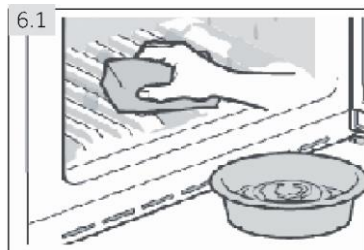
1. Ak chcete vybrať policu, najskôr nadvihnite jej zadný okraj (1) a potom ju vytiahnite (2) (obr. 5.2).
2. Ak ju chcete znovu nainštalovať, položte ju na výstupky na oboch stranách a zatlačte do najzadnejšej polohy, kým nezapadne do drážok na bokoch.

6.1 Všeobecné pokyny

Spotrebič vyčistite, keď je v ňom málo potravín alebo žiadne potraviny, a po odpojení jeho elektrického napájania.

- ▶ Tesnenie na dverách musí byť vždy čisté.
- ▶ Vnútro a skrinku spotrebiča čistite špongiou navlhčenou v teplej vode s prídavkom neutrálneho čistiaceho prostriedku.

1. Mäkkou handričkou alebo špongiou namočenou v teplej vode utrite vnútro aj vonkajšok mrazničky vrátane tesnenia dverí, poličiek na dverách, sklenených polic, boxov atď. (do teplej vody môžete pridať neutrálny čistiaci prostriedok).
2. Ak sa rozleje nejaká kvapalina, odstráňte všetky znečistené časti, opláchnite ich prúdom vody, vysušte a vložte späť do mrazničky.
3. Ak sa rozleje nejaký krém (napríklad smotana, roztopená zmrzlina), odstráňte všetky znečistené časti, vložte ich na nejaký čas do teplej vody s teplotou približne 40 °C, potom ich opláchnite prúdom vody, vysušte a vložte späť do mrazničky.
4. Ak by sa vnútri mrazničky zasekli nejaké malé časti alebo nejaký komponent (medzi policami alebo zásuvkami na skladovanie), uvoľnite ich malou mäkkou kefkou. Ak sa k tejto časti nedostanete, kontaktujte servis Haier.



6.2 Dlhodobé vyradenie z prevádzky

Ak nebudete spotrebič dlhší čas používať:

- ▶ Vyberte potraviny.
- ▶ Odpojte napájací kábel.
- ▶ Spotrebič vyčistite podľa vyššie uvedeného návodu.
- ▶ Dvere a koše mrazničky na uskladnenie potravín nechajte otvorené, aby sa vnútri nevytvárali nežiaduce pachy.

Odstráňte dvere spotrebiča (dvere otvorte a držte ich, kým nevyberiete skrutky), aby do vnútra nemohli vliezť deti, aby nedošlo k ich zatvoreniu.



Poznámka: Vypnutie

Na zaistenie dlhej životnosti spotrebič vypínajte iba vtedy, keď je to nevyhnutné.

6.3 Premiestňovanie spotrebiča

1. Vyberte všetky potraviny a odpojte spotrebič od elektrickej siete.
2. Police a všetky pohyblivé časti mrazničky zaistite lepiacou páskou.
3. Zatvorte dvere a zaistite ich páskou.
4. Mrazničku nenakláňajte o viac ako 45°, aby ste predišli poškodeniu chladiaceho systému.
5. Nožičky mrazničky obalte, aby nepoškriabali podlahu. Mrazničku nikdy nepresúvajte príliš rýchlo.

Mnoho vyskytujúcich sa problémov môžete vyriešiť sami bez osobitných odborných znalostí. V prípade problému skontrolujte všetky zobrazené možnosti a pred kontaktovaním popredajného servisu postupujte podľa nasledujúcich pokynov.

Zvukový alarm sa dá vypnúť stlačením ktoréhokoľvek tlačidla.

7.1 Riešenie problémov

| Problém | Možná príčina | Možné riešenie |
|--|--|--|
| Kompresor nefunguje. | <ul style="list-style-type: none"> Zástrčka nie je vsunutá do zásuvky. | <ul style="list-style-type: none"> Vsuňte zástrčku do sieťovej zásuvky. |
| Spotrebič pracuje často alebo príliš dlho. | <ul style="list-style-type: none"> Príliš vysoká vnútorná alebo vonkajšia teplota. Spotrebič bol dlhšie vypnutý. Netesne zatvorené dvere spotrebiča. Dvere boli otvorené príliš často alebo príliš dlho. Nastavená teplota je príliš nízka. Tesnenie dverí je špinavé, opotrebované, popraskané alebo nevhodné. Nie je zabezpečené požadované prúdenie vzduchu. Vnútrajšok je pokrytý ľadom. | <ul style="list-style-type: none"> V takom prípade je normálne, že spotrebič beží dlhšie. Zvyčajne trvá 8 až 12 hodín, kým spotrebič úplne ochladne. Zatvorte dvere a uistite sa, že je spotrebič umiestnený na rovnom povrchu a že sa v ňom nenachádzajú potraviny alebo nádoba, ktoré by blokovali dvere. Neotvárajte dvere príliš často. Nastavujte vyššiu teplotu, kým nedosiahnete uspokojivú teplotu. Ustálenie teploty trvá 24 hodín. Vyčistite tesnenie dverí alebo ho dajte vymeniť v zákaznickom servise. Zaistite dostatočnú ventiláciu. Rozmrazte spotrebič. |
| Spotrebič vydáva neobvyklé zvuky. | <ul style="list-style-type: none"> Spotrebič nie je umiestnený na rovnom povrchu. Spotrebič sa dotýka nejakého predmetu v jeho blízkosti. Spotrebič stojí na drevenej podlahe alebo v blízkosti drevených stien. | <ul style="list-style-type: none"> Vyrovnajzte spotrebič. Odstráňte predmety v okolí spotrebiča. Drevo zosilňuje zvuk. Postavte spotrebič niekde inde. |
| Spotrebič vydáva zvuk kliknutia | <ul style="list-style-type: none"> Je to normálne. Spôsobuje to zapnutie alebo vypnutie chladiacej jednotky. | <ul style="list-style-type: none"> - |
| Počuť tichý zvuk podobný tečúcej vode. | <ul style="list-style-type: none"> Je to normálne. | <ul style="list-style-type: none"> - |

| Problém | Možná príčina | Možné riešenie |
|---|--|--|
| Spotrebič vydáva zvuk motora | <ul style="list-style-type: none"> Chladiaca jednotka sa práve zapla. Je to normálne | <ul style="list-style-type: none"> - |
| V spotrebiči nie je dostatočne nízka teplota. | <ul style="list-style-type: none"> Nastavená teplota je príliš vysoká. Boli vložené príliš teplé potraviny. Bolo vložených príliš veľa potravín naraz. Potraviny sú príliš blízko seba. Dvere nie sú tesne zatvorené. Dvere boli otvorené príliš často alebo príliš dlho. | <ul style="list-style-type: none"> Resetujte teplotu. Pred uložením potraviny vždy ochladzte. Vždy vkladajte malé množstvo potravín. Medzi potravinami nechávajte medzeru, aby mohol vzduch voľne prúdiť. Zatvorte dvere. Neotvárajte dvere príliš často. |
| V spotrebiči je príliš nízka teplota. | <ul style="list-style-type: none"> Nastavená teplota je príliš nízka. Funkcia Super Freeze je aktivovaná alebo je zapnutá už príliš dlho. | <ul style="list-style-type: none"> Resetujte teplotu. Funkciu Super Freeze vypnite. |
| Na povrchu spotrebiča sa hromadí vlhkosť. | <ul style="list-style-type: none"> Ovzdušie je príliš teplé a príliš vlhké. | <ul style="list-style-type: none"> Vo vlhkom podnebí je to normálne a zmení sa to po poklese vlhkosti. Utrite do sucha handričkou. |
| V mrazničke je silná vrstva ľadu a námrazy. | <ul style="list-style-type: none"> Potraviny neboli správne zabalené. Dvere nie sú tesne zatvorené. Dvere boli otvorené príliš často alebo príliš dlho. Tesnenie dverí je špinavé, opotrebované, popraskané alebo nevhodné. Vnútri je prekážka, ktorá bráni správne zatvoreniu dverí. | <ul style="list-style-type: none"> Potraviny vždy správne zabalte. Zatvorte dvere. Neotvárajte dvere príliš často. Vyčistite tesnenie dverí alebo ho dajte vymeniť v zákaznickom servise. Premiestnite police, poličky na dverách alebo vnútorné zásobníky tak, aby sa dali dvere zatvoriť. |
| Nefunguje chladiaci systém. | <ul style="list-style-type: none"> Zástrčka nie je vsunutá do zásuvky elektrickej siete. Porucha zdroja napájania. | <ul style="list-style-type: none"> Vsuňte zástrčku do sieťovej zásuvky. Skontrolujte elektrické napájanie v miestnosti. Kontaktujte miestnu elektrárenskú spoločnosť! |
| Boky skrinky a lišty dverí sa zahrievajú. | <ul style="list-style-type: none"> Je to normálne. | <ul style="list-style-type: none"> - |
| Počujete signál alarmu. | <ul style="list-style-type: none"> Dvere sú otvorené Príliš vysoká teplota vnútri produktu | <ul style="list-style-type: none"> Zatvorte dvere alebo alarm vypnite manuálne. |

| Problém | Možná príčina | Možné riešenie |
|--|---|--|
| Dvere sa ťažko otvárajú. | <ul style="list-style-type: none"> Keď je spotrebič v prevádzke, vnútri je podtlak. | <ul style="list-style-type: none"> Pevne zatvorené dvere otvárajte opatrne, aby sa do mohol do spotrebiča dostať vzduch. |
| Dvere sa nedajú správne zatvoriť. Vždy medzi nimi zostáva medzera. | <ul style="list-style-type: none"> Vzhľadom na nízku teplotu spotrebiča môže tesnenie dverí ľahko stvrdnúť a zdeformovať sa. | <ul style="list-style-type: none"> Použite sušič vlasov alebo položte na miesto, kde je tesnenie zdeformované, horúci uterák. Po opätovnom zmäknutí tesnenia dvere zatvorte a pevne ich stlačte. |

7.2 Prerušenie elektrickej energie

V prípade výpadku elektrického prúdu by mali potraviny zostať bezpečne vychladené približne 15 hodín. V prípade dlhšieho výpadku elektrického napájania, najmä v lete, postupujte podľa nasledujúcich pokynov:

- ▶ Dvere otvárajte čo najmenej.
- ▶ Počas výpadku prúdu nekladajte do mrazničky ďalšie potraviny.
- ▶ Ak vám je výpadok prúdu oznámený vopred a predpokladaná doba výpadku presahuje 15 hodín, vyrobte ľad a vložte ho do zásobníka v hornej časti mrazničky.
- ▶ V dôsledku zvýšenia teploty v mrazničke počas výpadku elektrického prúdu alebo inej poruchy dôjde k skráteniu doby uloženia potravín a tiež sa zníži ich kvalita. Potraviny, ktoré sa rozmrazili, by ste mali buď rýchlo skonzumovať alebo uvariť a znovu zmraziť (ak je to vhodné), aby sa predišlo zdravotným rizikám.



Poznámka: Funkcia pamäte pri prerušení napájania

Po obnovení napájania spotrebič pokračuje v nastaveniach, ktoré boli nastavené pred výpadkom prúdu.

7.3 Parametre a výmena LED žiarovky

Parameter LED žiarovky: 12V, 6W

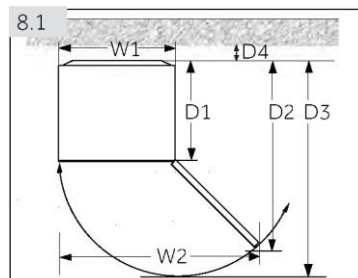
K dispozícii je LED žiarovka, ktorá má nízku spotrebu energie a dlhú životnosť. Ak sa vyskytne akákoľvek abnormalita, žiarovku nedemontujte sami. Požiadajte o pomoc technika servisu.

8.1 Vybalenie

- Vyberte spotrebič z obalu.
- Odstráňte všetok obalový materiál.

8.2 Podmienky prostredia

Teplota v miestnosti musí byť vždy v rozsahu 18 °C až 43 °C, pretože to môže mať vplyv na teplotu vnútri spotrebiča a na jeho spotrebu energie. Spotrebič neinštalujte v blízkosti iných spotrebičov vyžarujúcich teplo (rúry, chladničky) bez izolácie.

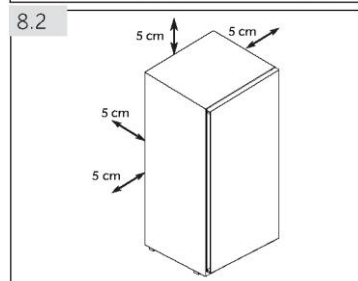


8.3 Požiadavky na priestor

Potrebný priestor na otvorenie dverí (obr. 8.1):

| Šírka v mm | | Hĺbka v mm | | | Vzdialenosť od steny v mm |
|------------|------|------------|------|------|---------------------------|
| W1 | W2 | D1 | D2 | D3 | D4 |
| 705 | 1076 | 603 | 1243 | 1327 | 50 |

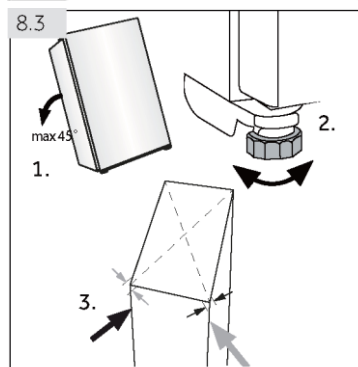
PRE voľne stojaci spotrebič: tento chladiaci spotrebič nie je určený na použitie ako vstavovaný spotrebič.



8.4 Prierez na vetranie

Na dosiahnutie dostatočnej ventilácie spotrebiča je z bezpečnostných dôvodov potrebné dodržiavať požiadavky pre správne vetranie (obr. 8.2).

PRE voľne stojaci spotrebič: tento chladiaci spotrebič nie je určený na použitie ako vstavovaný spotrebič.



8.5 Vyrovnanie spotrebiča

Zariadenie musí byť umiestnené na rovnom a pevnom povrchu. Ak je spotrebič umiestnený na podstavci, musia sa použiť pevné a ohňovzdorné materiály. Ako podstavec nikdy nepoužívajte penový obalový materiál.

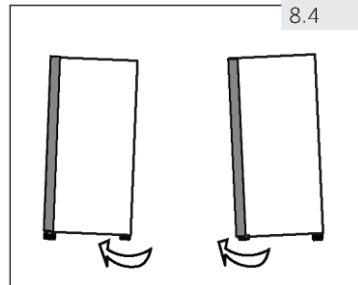
1. Spotrebič nakloňte mierne dozadu (obr. 8.3).
2. Nastavte nožičky na požadovanú úroveň.
3. Stabilitu môžete skontrolovať striedavým potlačením v smere uhlopriečky. Mierne hojdanie by malo byť rovnaké v oboch smeroch.

V opačnom prípade môže dôjsť k zdeformovaniu rámu; výsledkom je aj možné nedostatočné tesnenie dverí. Mierny náklon na zadnú stranu uľahčuje zatváranie dverí.

8.6 Použitie nastaviteľných nožičiek

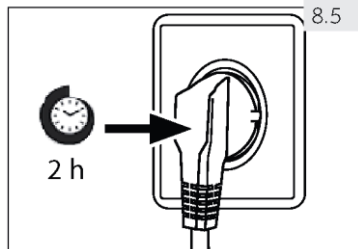
Ak je mraznička nestabilná, môžete nastaviť nožičky: Otočte nastaviteľné nožičky v smere šípky (obr. 8.4) a posúvajte ich nahor alebo nadol:

- ▶ Otáčaním nožičiek v smere hodinových ručičiek sa spotrebič zdvihne.
- ▶ Otáčaním nožičiek proti smeru hodinových ručičiek sa spustí.



8.7 Doba čakania

V puzdre kompresora sa nachádza bezúdržbový mazací olej. Pri nakláňaní spotrebiča počas prevozu sa tento olej môže dostať cez uzatvorený systém rúrok. Pred pripojením spotrebiča ku zdroju napájania musíte počkať 2 hodiny (obr. 8.5), aby olej natiekol späť do puzdra.



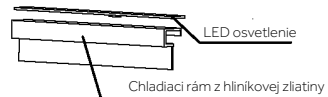
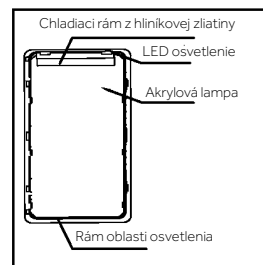
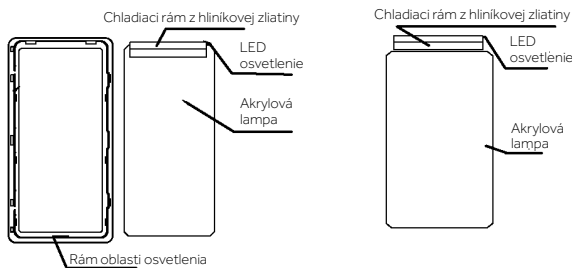
8.8 Elektrické zapojenie

Pred každým pripojením skontrolujte, či:

- ▶ Elektrické napájanie, zásuvka a istenie zodpovedajú typovému štítku.
- ▶ Je sieťová zásuvka uzemnená a nie je pripojená žiadna rozdvojka ani predlžovací kábel.
- ▶ Elektrická zástrčka a zásuvka sa presne zhodujú.

Zástrčku pripojte k správne nainštalovanej zásuvke elektrickej siete.

8.9 Schéma oblasti zdroja svetla



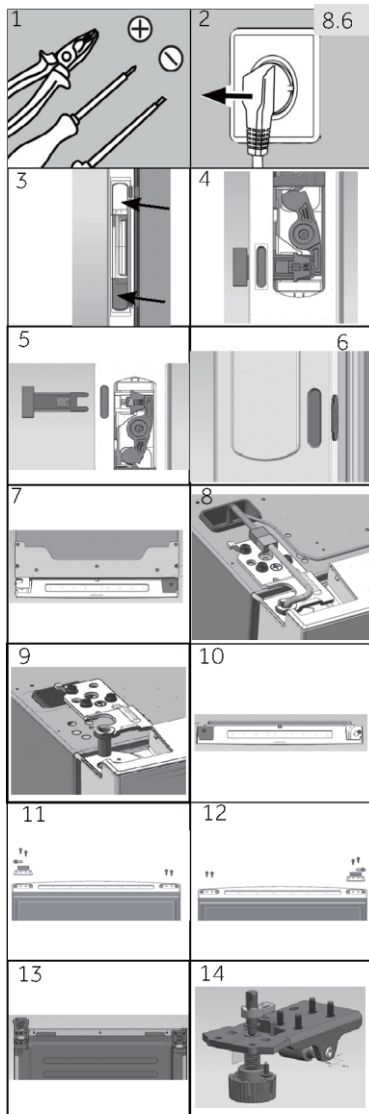
Stlačením zárazky sa rám oblasti osvetlenia oddelí od zdroja oblasti svetla

Odstráňte hliníkovú fóliovú pásku z oboch strán chladiaceho rámu z hliníkovej zliatiny a chladiaci rám z hliníkovej zliatiny sa bude dať vybrať

Rozdeľte LED svetlo a chladiaci rám z hliníkovej zliatiny (obojsmerné lepiace spojenie)

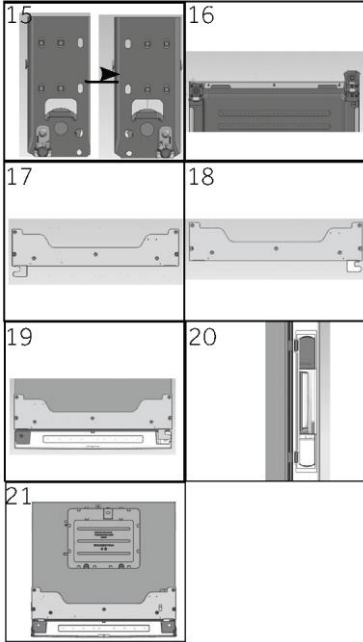
8.10 Zmena smeru otvárania dverí

Pred pripojením spotrebiča ku zdroju napájania musíte skontrolovať, či nemusíte otočenie dverí zmeniť z ľavej strany (pri dodaní) na pravú, ak to vyžaduje miesto inštalácie a použiteľnosť



Kroky pri montáži (obr. 8.6):

1. Zabezpečte si potrebné náradie.
2. Spotrebič odpojte od elektrického napájania.
3. Otvorte horný a dolný kryt rukoväti na pravej strane dverí.
4. Mierne vypáčte biely posúvač.
5. Vyberte 2 prítlačné tyče a vráťte kryt rukoväti späť.
6. Odstráňte 2 gumové zátky na ľavej strane dverí a odložte ich s odstránenými prítlačnými tyčami pre krok 20.
7. Odstráňte 7 skrutiek a kryt závesu. Dávajte pozor, aby ste neroztrhli kábel dverí.
8. Odpojte pripojovací kábel.
9. Odstráňte 3 skrutky závesu a ľavý horný záves a opatrne odstráňte dvere.
10. Pod dvere umiestnite kartónovú škatuľu alebo handru a dvere položte vodorovne. Odstráňte pravý koncový kryt dverí a vyberte ľavý koncový kryt z vrečka s príslušenstvom. Nainštalujte ho na ľavú hornú stranu dverí.
11. Odstráňte 2 skrutky na pravej spodnej časti dverí. Odstráňte 2 skrutky, zarážku dverí a kryt rohu na ľavej spodnej strane dverí.
12. Vezmite zarážku dverí z posledného kroku a pravý kryt rohu z vrečka s príslušenstvom a upevnite ich 2 skrutkami. Upevnite aj 2 skrutky na druhej strane dverí.
13. Po umiestnení hrubších podložiek pod skrinku položte na zem zadnú stenu skrine. Odstráňte 4 skrutky a spodný záves.
14. Odskrutkujte kryt rohu.



15. Vyberte pravý kryt rohu z vrecka s príslušenstvom. Upevnite ho skrutkou.
16. Po zámene vymeňte polohu platničky kolieska a spodného závesu.
17. Odmontujte ľavý malý kryt závesu a veko závesu z krytu závesu.
18. Veko závesu nasadíte na druhú stranu a vyberte pravý kryt malého závesu z vrecka s príslušenstvom. Nainštalujte ho na kryt závesu.
19. Namontujte dvere, namontujte ľavý záves, zapojte spojovací kábel a upevnite kryt závesu skrutkami.
20. Nainštalujte odstránenú prítlačnú tyč na ľavú stranu dverí, potom vložte gumové zátky do otvoru pre rukoväť prítlačnej tyče na pravej strane dverí.
21. Hotovo.

Minimálna záruka je: 2 roky pre krajiny EÚ, 3 roky pre Turecko, 1 rok pre Spojené kráľovstvo, 1 rok pre Rusko, 3 roky pre Švédsko, 2 roky pre Srbsko, 5 rokov pre Nórsko, 1 rok pre Maroko, 6 mesiacov pre Alžírsko, Tunisko nevyžaduje žiadnu zákonnú záruku.

Termostaty, snímače teploty, dosky plošných spojov a svetelné zdroje sú k dispozícii minimálne sedem rokov po uvedení poslednej jednotky modelu na trh. Kľučky, závesy dverí, podnosy a koše minimálne na obdobie siedmich rokov a tesnenia dverí na minimálne 10 rokov po uvedení poslednej jednotky modelu na trh.

Ďalšie informácie o produkte nájdete na stránkach <https://eprel.ec.europa.eu/> alebo si oskenujte QR kód na štítku s údajmi o elektrickej spotrebe spotrebiča.

Ak chcete kontaktovať technickú pomoc, navštívte našu webovú stránku:

<https://corporate.haier-europe.com/en/>

V sekcii „webová stránka“ vyberte značku svojho výrobku a svoju krajinu.

Stránka vás presmeruje na konkrétnu webovú stránku, kde nájdete telefónne číslo a formulár na kontaktovanie technickej pomoci.

| Ochranná známka | Haier | |
|---|----------------------|----------|
| Identifikátor modelu | H2F385*F | H2F385*D |
| Kategória modelu | Vertikálna mraznička | |
| Trieda energetickej účinnosti | F | D |
| Ročná spotreba energie (kWh/rok) ¹⁾ | 356 | 228 |
| Objem chladiaceho priestoru (l) | neaplikovateľné | |
| Objem mraziaceho priestoru (l) **** | 386 | |
| Počet hviezdíčiek | **** | |
| Teplota ďalších priestorov > 14 °C | neaplikovateľné | |
| Systém bez námrazy Frost free | áno | |
| Zabezpečenie pri výpadku elektrického napájania (h) | 11,5 | 11,5 |
| Kapacita zmrazovania (kg/24 h) | 19,5 | 19,5 |
| Klimatická trieda Tento spotrebič je určený na použitie pri teplote okolitého prostredia v rozsahu 10 °C až 43 °C. | SN-T | |
| Emisie akustického hluku prenášaného vzduchom (db(A)) | 39 | |
| Typ konštrukcie | voľne stojaca | |

1) na základe výsledkov 24-hodinovej normalizovanej skúšky. Skutočná spotreba energie bude závisieť od používania a umiestnenia spotrebiča.

Podrobnosti technických údajov nájdete na typovom štítku a energetickom štítku vo vnútri výrobku.

Tento spotrebič je určený na použitie pri nižšie uvedenej teplote okolitého prostredia:

| | |
|----|------------------|
| SN | + 10 °C ~ +32 °C |
| N | + 16 °C ~ +32 °C |
| ST | + 16 °C ~ +38 °C |
| T | + 16 °C ~ +43 °C |

9.1 Doplnujúce technické údaje

| | |
|----------------------|-----------------|
| Napätie/Frekvencia | 220-240V ~/50Hz |
| Menovitý prúd (A) | 1,5 |
| Chladiace médium | R600a |
| Rozmery (V/Š/H v cm) | 172,5/70,5/69,1 |

H2F385*F/*D_SK

Haier