

Instructions for use
Инструкции за употреба
Návod k použití
Brugsanvisninger



Käyttöohje
Consignes d'utilisation
Használati útmutató
Пайдалану нұсқаулығы




Brukerveiledning
Instrukcja użytkownika
Instrucțiuni de utilizare
Инструкция по эксплуатации



Návod na používanie
Instrucciones de uso
Bruksanvisning
Інструкції з використання

ENGLISH	Instructions for use	Page 4
БЪЛГАРСКИ	Инструкции за употреба	Страница 12
ČESKY	Návod k obsluze	Strana 20
DANSK	Brugsanvisninger	Side 28
SUOMI	Käyttöohje	Sivu 36
FRANÇAIS	Consignes d'utilisation	Page 44
MAGYAR	Használati útmutató	52. oldal
ҚАЗАҚ	Пайдалану нұсқаулығы	60-бет
NORSK	Brukerveiledning	Side 68
POLSKI	Instrukcja użytkownika	Strona 76
ROMÂNĂ	Instrucțiuni de utilizare	Pagina 84
РУССКИЙ	Инструкция по эксплуатации	Стр. 92
SLOVENČINA	Návod na používanie	Strana 100
ESPAÑOL	Instrucciones de uso	Página 108
SVENSKA	Bruksanvisning	Sidan 116
УКРАЇНСЬКА	Інструкції з використання	стор. 124

INDEX

Chapter 1: INSTALLATION	5
1.1. INSTALLING SINGLE APPLIANCE	5
1.2. INSTALLING TWO APPLIANCES	5
1.3. ADJUST DOORS (If available)	5
Chapter 2: FUNCTIONS	6
2.1. DOOR OPEN ALARM	6
2.2. FAST COOLING 	6
2.3. FAN*	6
2.4. TEMPERATURE SETTING	6
2.5. NO-FROST REFRIGERATOR COMPARTMENT	6
2.6. REFRIGERATOR LIGHT	6
Chapter 3: USE	7
3.1. NOTES	7
Chapter 4: FOOD-STORAGE TIPS	7
4.1. AIR VENTILATION	7
4.2. HOW TO STORE FRESH FOOD AND BEVERAGE	7
4.3. WERE TO STORE FRESH FOOD AND BEVERAGE	7
Chapter 5: FUNCTIONAL SOUNDS	8
Chapter 6: RECOMMENDATION IN CASE OF NO USE OF THE APPLIANCE	9
6.1. ABSENCE / VACATION	9
6.2. MOVING	9
6.3. POWER FAILURE	9
Chapter 7: MAINTENANCE AND CLEANING	9
Chapter 8: TROUBLESHOOTING GUIDE	10
8.1. BEFORE CONTACTING AFTER-SALES SERVICE.....	10
8.2. FAILURES	10
Chapter 9: AFTER-SALES SERVICE	11
Others:	
REVERSE DOOR SWING.....	132

NOTE:

The instructions apply to several models, so there may be differences. Sections which only apply to certain appliances are indicated with an asterisk (*). Functions which are dedicated specially for your already bought model of product you will find in QUICK START GUIDE.

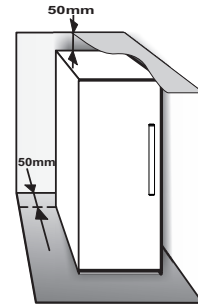
1. INSTALLATION

1.1. INSTALLING SINGLE APPLIANCE

To guarantee adequate ventilation, leave a space on both sides and above the appliance.

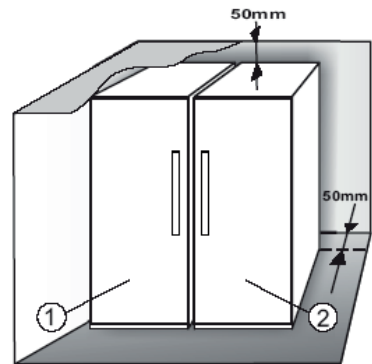
The distance between the rear of the appliance and the wall behind the appliance should be at least 50mm.

A reduction of this space will increase the Energy consumption of product.

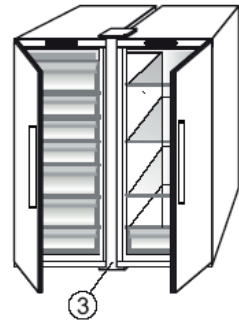


1.2. INSTALLING TWO APPLIANCES

During installing the freezer ① and the fridge ② together ensure that the freezer is located on the left and the fridge on the right (as shown on the drawing). Left side of refrigerator is equipped with special device in order to avoid condensation problems between appliances.



We recommended installing two appliances together using the linking-kit ③ (as shown on the drawing). You can buy it in Service.

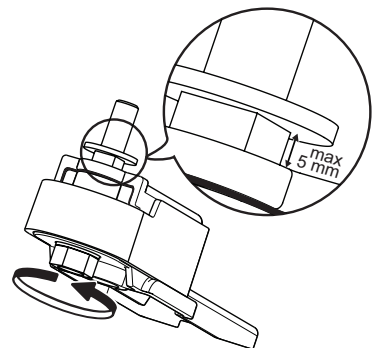


1.3. ADJUST DOORS (If available)

To level the doors using the adjustable lower hinge (select models)

If the refrigerator door is lower than the freezer door, raise the refrigerator door by turning the adjustment screw counterclockwise using a M10 wrench.

If the freezer door is lower than the refrigerator door, raise the freezer door by turning the adjustment screw counterclockwise using a M10 wrench.




2. FUNCTIONS

2.1. DOOR OPEN ALARM

The Door Open Alarm is activated when the door is left open for more than 5 minutes. Indication of the alarm is shown by the blinking of the LED Door Light. If the door is left open more than 8 minutes the LED Door Light switches off.

2.2. FAST COOLING

The use of this function is recommended when placing a very high quantity of food in the refrigerator compartment.

Using Fast Cooling  function it is possible to increase the cooling capacity in the refrigerator compartment. To maximize the cooling capacity, please keep the fan switch on.

2.3. FAN*

The Fan improves temperature distribution inside the product, allowing better preservation of stored food. By default, the fan is switched on. It is advisable to keep the fan switched on when the ambient air temperature is above 27 ÷ 28°C or if you notice drops of water on the glass shelves or in severe humidity conditions. Please note that when the fan is switched on it will not continuously work. The fan will start/stop working depending on the temperature and/or humidity level inside the product. It is therefore absolutely normal if the fan does not move even if the fan is switched on. To activate or deactivate this function – see enclosed Quick Start Guide.

Note:

Do not obstruct the air intake area with food items.

To guarantee the right performance at lower ambient temperature (colder than 18°C) and to minimize Energy Consumption, turn off the fan.

If the appliance has the Fan it can be equipped with the **antibacterial filter**.

Remove it from the box placed in the crisper drawer and insert into the cover of fan.

The replacement procedure is included in the filter box.

2.4. TEMPERATURE SETTING

The appliance is normally factory-set for operation at the recommended medium temperature.

For details of setting temperature - see enclosed Quick Start Guide.

Note: Displayed set points correspond to the average temperature throughout the whole refrigerator

2.5. NO-FROST REFRIGERATOR COMPARTMENT

Refrigerator compartment defrosting is completely automatic.

Droplets of water on the rear wall inside the refrigerator compartment indicate that the automatic defrost phase is in progress. The defrost water is automatically run into a drain hole and collected in a container, where it evaporates.

2.6. REFRIGERATOR LIGHT

The light system inside the fridge compartment uses LEDs light, allowing a better lightning as well as very low energy consumption.

If the LED light system does not work, please contact the Service to replace it.

Important:

The refrigerator compartment light switches on when the refrigerator door is opened. If the door is kept open for more than 8 minutes the light will be automatically switched off.

*Available on selected models only. Please check on the QUICK START GUIDE if this function is actually available on your model.

3. USE

3.1. NOTES

- Do not block the air outlet area (on the back wall inside the product) with food products.
- All shelves, flaps and pull-out baskets are removable.

- The internal temperatures of the appliance may be affected by the ambient temperature, frequency of door opening, as well as location of the appliance. Temperature setting should take into consideration these factors.
- Unless otherwise specified the appliance accessories are not dishwasher safe.

4. FOOD-STORAGE TIPS

The refrigerator is the ideal storage location for ready meals, fresh and preserved food, dairy products, fruit and vegetables and beverage.

4.1. AIR VENTILATION

- The natural circulation of air in the refrigerator compartment results in zones with different temperatures. It is coldest directly above the fruits and vegetables crisper and at the rear wall. It is warmest at the top front of the compartment.
- Insufficient ventilation results in an increase in energy consumption and reduction of the refrigerating performance.

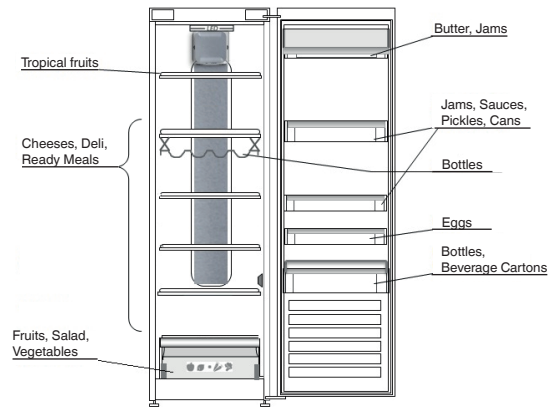
4.2. HOW TO STORE FRESH FOOD AND BEVERAGE

- Use recyclable plastic, metal, aluminum and glass containers and cling film to wrap foods.
- Always use closed containers for liquids and for food that may give off or be tainted by odor or flavor transfer or cover them.
- Foods which give off a large amount ethylene gas and those that are sensitive to this gas, such as fruit, vegetables and salad, should always be separated or wrapped so as not to reduce the storage life; for example do not store tomatoes together with kiwi fruits or cabbage.
- Do not store food too close together to enable sufficient air circulation.
- To avoid bottles falling over, you can use the bottle holder (available on selected models).
- If you have a little quantity of food to store in the refrigerator, we recommend to use the shelves above the crisper for fruits and vegetables since this is the coolest area of the compartment.

4.3. WHERE TO STORE FRESH FOOD AND BEVERAGE

- On the fridge shelves: ready meals, tropical fruits, cheeses, deli.
- In the fruits and vegetables crisper: fruits, salad, vegetables.
- In the door: butter, jams, sauces, pickles, cans, bottles, beverage cartons, eggs

EXAMPLE OF FOOD ARRANGEMENT



5. FUNCTIONAL SOUNDS

Sounds coming from your appliances are normal since it has a number of fans and engines to regulate performances that switch on and off automatically.

Some of the functional sounds can be reduced through

- Leveling the appliance and installing it on an even surface.
- Separating and avoiding contact between the appliance and furniture.
- Checking if the internal components are correctly placed.
- Checking if bottles and containers are not in contact with each other.

Some of the functional sounds you might hear:

A hissing sound when switching on the appliance for the first time or after a long pause.



A gurgling sound when refrigerant fluid enters into the pipes.



BRRR sound is from the compressor running.



Buzzing sound when water valve or fan start working.



A cracking sound when compressor starts or when ready ice drops into ice box abrupt clicks when compressor switches on and off.



The CLICK is from the thermostat which adjusts how often the compressor is running.



6. RECOMMENDATION IN CASE OF NO USE OF THE APPLIANCE

6.1. ABSENCE / VACATION

In case of vacation its recommended to use up food and to disconnect the appliance to save energy.

6.2. MOVING

1. Take out all internal parts.
2. Wrap them well, and fix them together with adhesive tape so that they do not bang together or get lost.
3. Screw the adjustable feet so that they do not touch the support surface.
4. Close and fix door with adhesive tape and, again using adhesive tape, fix the power cable to the appliance.

6.3. POWER FAILURE

In the event of a power failure, call the local office of your electricity supply company and ask how long it is going to last.

Note: Bear in mind that a full appliance will stay cold longer than a partially filled one.

If food is found to be in a poor condition, it is best to throw it away.

For power failures lasting up to 24 hours.

1. Keep the door of the appliance closed. This will allow the stored food to stay cold as long as possible.

For power failures lasting more than 24 hours.

1. Try to use up the food, which is more easily perishable.

7. MAINTENANCE AND CLEANING

Before any cleaning or maintenance operation, unplug the appliance from the mains or disconnect the electrical power supply.

Periodically clean the appliance with a cloth and a solution of lukewarm water and neutral detergent specifically for refrigerator interiors. Never use abrasives. Never clean refrigerator parts with flammable fluids. The fumes can create a fire hazard or explosion. Clean the outside of the appliance and the door seal with a damp cloth and dry with a soft cloth. Do not use steam cleaners.

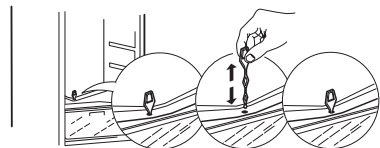
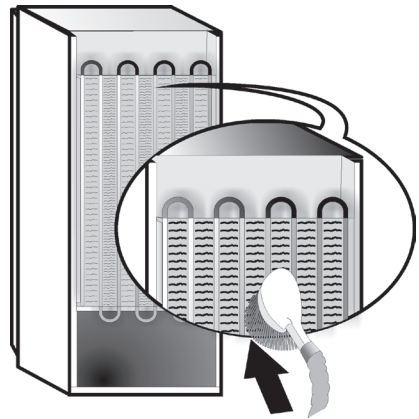
Condenser placed in the rear of the appliance should be cleaned regularly using a vacuum cleaner.

Condenser placed in the rear of the appliance should be cleaned regularly using a vacuum cleaner.

Important:

- The buttons and control panel display must not be cleaned with alcohol or alcohol-derived substances, but with a dry cloth.
- The refrigeration system pipes are located near the defrost pan and can become hot. Periodically clean them with a vacuum cleaner.

To ensure continuous and correct flow of defrost water, regularly clean the inside of the draining hole on the back of the refrigerator near the fruit and vegetable drawer, using the tool provided .



8. TROUBLESHOOTING GUIDE

8.1. BEFORE CONTACTING AFTER-SALES SERVICE...

Performance problems often result from little things you can find and fix yourself without tools of any kind.

PROBLEM	SOLUTION
The appliance is not working:	<ul style="list-style-type: none"> • Is the power cable plugged into a live socket with the proper voltage? • Have you checked the protection devices and fuses of the electrical system in your home?
If there is water in the defrost pan:	<ul style="list-style-type: none"> • This is normal in hot, damp weather. The pan can even be half full. Make sure the appliance is level so that the water does not overflow.
If the edges of the appliance cabinet, which come in contact with the door seal, are warm to the touch:	<ul style="list-style-type: none"> • This is normal in hot weather and when the compressor is running.
If the light does not work:	<ul style="list-style-type: none"> • Have you checked the protection devices and fuses of the electrical system in your home? • Is the power cable plugged into a live socket with the proper voltage? • In case the LEDs are broken the user must call the Service for exchange of the same type available only at our After-sales Service Centers or authorized dealers.
If the motor seems to run too much:	<ul style="list-style-type: none"> • Motor running time depends on different things: number of door openings, amount of food stored, temperature of the room, setting of the temperature controls. • Is the condenser (back the appliance) free of dust and fluff? • Are the door properly closed? • Are the door seals properly fitted? • On hot days or if the room is warm, the motor naturally runs longer. • If the appliance door has been left open for a while or if large amounts of food have been stored, the motor will run longer in order to cool down the interior of the appliance.
If the appliance temperature is too high:	<ul style="list-style-type: none"> • Are the appliance controls correctly set? • Has a large amount of food been added to the appliance? • Check that the door is not opened too often. • Check that the door close properly.
If the doors do not open and close properly:	<ul style="list-style-type: none"> • Check that food packages are not blocking the door. • Check that the internal parts or automatic ice maker are not out of position. • Check that the door seals are not dirty or sticky. • Ensure the appliance is level.

8.2. FAILURES

When any failure appears any LEDs indicator start blinking, it is necessary to call service. The appliance will work preserving the food stored.

Note: In case of power failure, appliance goes back to normal operation and previously chosen temperature setpoint is restored.

9. AFTER-SALES SERVICE

Before contacting After-Sales Service:

Switch the appliance on again to see if the problem has been solved. If it has not, disconnect the appliance from the power supply and wait for about an hour before switching on again.

If, after performing the checks described in the Troubleshooting Guide and switching the appliance on again, your appliance still does not work properly, contact the After-sales Service, explain the problem.

Specify:

- the model and appliance serial number (stated on the rating plate),
- the nature of the problem,

SERVICE 0000 000 00000




- the Service number (the number after the word SERVICE on the data plate on the inside of the appliance),
- your full address,
- your telephone number and area code.

Note:

The direction of door opening can be changed. If this operation is performed by After-sales Service it is not covered by the warranty.

СЪДЪРЖАНИЕ

Глава 1: МОНТИРАНЕ	13
1.1. МОНТИРАНЕ НА ЕДИН УРЕД	13
1.2. МОНТИРАНЕ НА ДВА УРЕДА	13
1.3. РЕГУЛИРАНЕ НА ВРАТИТЕ (ако е на разположение)	13
Глава 2: ФУНКЦИИ	14
2.1. АЛАРМА ЗА ОТВОРЕНА ВРАТИЧКА	14
2.2. БЪРЗО ОХЛАЖДАНЕ 	14
2.3. ВЕНТИЛАТОР*	14
2.4. НАСТРОЙКА НА ТЕМПЕРАТУРАТА	14
2.5. ОТДЕЛЕНИЕ НА ХЛАДИЛНИКА БЕЗ СКРЕЖ	14
2.6. ОСВЕТЛЕНИЕ НА ХЛАДИЛНИКА	14
Глава 3: ЕКСПЛОАТАЦИЯ	15
3.1. ЗАБЕЛЕЖКИ	15
Глава 4: СЪВЕТИ ЗА СЪХРАНЯВАНЕ НА ХРАНИТЕ	15
4.1. ВЪЗДУШНА ВЕНТИЛАЦИЯ	15
4.2. КАК ДА СЕ СЪХРАНЯВАТ ПРЕСНИ ХРАНИ И НАПИТКИ	15
4.3. КЪДЕ ДА СЕ СЪХРАНЯВАТ ПРЕСНИТЕ ХРАНИ И НАПИТКИ	15
Глава 5: ШУМОВЕ ПРИ РАБОТА	16
Глава 6: ПРЕПОРЪКА В СЛУЧАЙ НА НЕИЗПОЛЗВАНЕ НА УРЕДА	17
6.1. ОТСЪСТВИЕ/ВАКАНЦИЯ	17
6.2. ПРЕМЕСТВАНЕ	17
6.3. ПРЕКЪСВАНЕ НА ЕЛЕКТРОЗАХРАНВАНЕТО	17
Глава 7: ПОДДРЪЖКА И ПОЧИСТВАНЕ	17
Глава 8: РЪКОВОДСТВО ЗА ОТСТРАНЯВАНЕ НА НЕИЗПРАВНОСТИ	18
8.1. ПРЕДИ ДА СЕ ОБЪРНЕТЕ КЪМ ОТДЕЛА ЗА СЛЕДПРОДАЖБЕНО ОБСЛУЖВАНЕ	18
8.2. НЕИЗПРАВНОСТИ	18
Глава 9: СЛЕДПРОДАЖБЕНО ОБСЛУЖВАНЕ	19
Други:	
ОБРЪЩАНЕ НА ОТВАРЯНЕТО НА ВРАТАТА	132

ЗАБЕЛЕЖКА:

Указанията се отнасят за няколко модела, така че са възможни разлики. Разделите, които се отнасят само за определени уреди, са отбелязани със звездичка (*).

Ще намерите функциите, които се отнасят специално за вече закупения от Вас модел на продукта, в РЪКОВОДСТВОТО ЗА БЪРЗ СТАРТ.

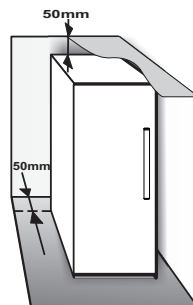
1. МОНТИРАНЕ

1.1. МОНТИРАНЕ НА ЕДИН УРЕД

За да се гарантира подходяща вентилация, оставете пространство от двете страни и над уреда.

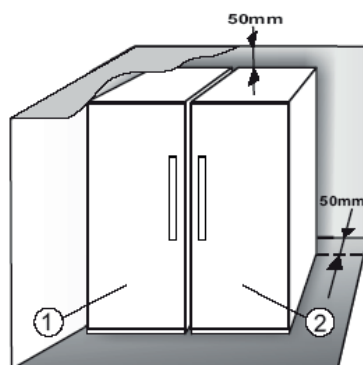
Разстоянието между задната част на уреда и стената зад него трябва да е поне 50 mm.

Намаляването на това пространство ще увеличи консумацията на енергия на продукта.



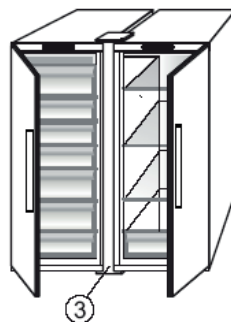
1.2. МОНТИРАНЕ НА ДВА УРЕДА

При монтиране на фризера ① и хладилника ② заедно се уверете, че фризерът е разположен отляво, а хладилникът - отдясно (както е показано на илюстрацията). Лявата страна на хладилника е оборудвана със специално устройство за избягване на проблеми с кондензацията между уредите.



Препоръчваме двата уреда да се монтират заедно с комплекта за свързване ③ (както е показано на илюстрацията).

Можете да го закупите от сервиза.

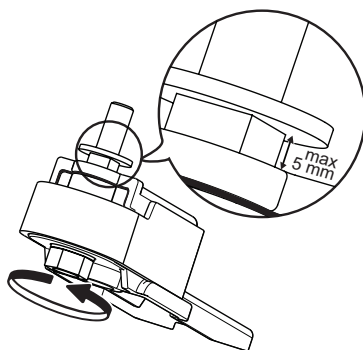


1.3. РЕГУЛИРАНЕ НА ВРАТИТЕ (ано е на разположение)

За нивелиране на вратите с помощта на регулируемата долна панта (избрани модели)

Ако вратата на хладилника е по-ниска от тази на фризера, повдигнете вратата на хладилника, като завъртите регулиращия винт обратно на часовниковата стрелка с гаечен ключ М10.

Ако вратата на фризера е по-ниска от тази на хладилника, повдигнете вратата на фризера, като завъртите регулиращия винт обратно на часовниковата стрелка с гаечен ключ М10.




2. ФУНКЦИИ

2.1. АЛАРМА ЗА ОТВОРЕНА ВРАТИЧКА

Алармата за отворена вратичка се активира, когато вратичката е оставена отворена за повече от 5 минути. Алармата се посочва чрез премигване на светодиодната лампичка за вратичката. Ако вратичката е оставена отворена за повече от 8 минути, светодиодната лампичка на вратичката се изключва.

2.2. БЪРЗО ОХЛАЖДАНЕ

Препоръчва се използването на тази функция, когато в отделението на хладилника се постави много голямо количество храни.

Чрез използване на функцията „Бързо охлаждане“  може да се увеличи капацитетът за охлаждане в отделението на хладилника. За максимално увеличаване на капацитета за охлаждане оставете вентилатора включен.

2.3. ВЕНТИЛАТОР*

Вентилаторът подобрява разпределението на температурата в изделието, позволявайки по-добро запазване на съхраняваните в него храни. По подразбиране вентилаторът е включен. Препоръчително е вентилаторът да се остави включен, когато температурата на околния въздух е над 27 ÷ 28°C, или ако забележите капки вода на стъклените полици или при силна влажност. Имайте предвид, че когато е включен, вентилаторът не работи постоянно. Вентилаторът ще работи и ще спира в зависимост от температурата и/или нивото на влажността в уреда. Следователно, напълно нормално е, ако вентилаторът не се движи, дори и да е включен. За включване или изключване на функцията вижте приложеното Ръководство за бърз старт.

Забележка:

Не закривайте зоната на входния отвор за въздух с хранителни продукти.

За осигуряване на правилната работа при по-ниска околна температура (под 18°C) и за минимално потребление на енергия изключете вентилатора.

Ако уредът е снабден с вентилатор, той може да бъде оборудван с **антибактериален филтър**. Извадете го от кутията, която се намира в чекмеджето за плодове и зеленчуци, и го поставете в капака на вентилатора. Процедурата за подмяна е приложена в кутията на филтъра.

2.4. НАСТРОЙКА НА ТЕМПЕРАТУРАТА

Нормално уредът е фабрично настроен за работа при препоръчаната умерена температура. За подробности относно настройването на температурата – вижте приложеното ръководство за бърз старт.

Забележка: Показваните зададени стойности съответстват на средната температура в целия хладилник

2.5. ОТДЕЛЕНИЕ НА ХЛАДИЛНИКА БЕЗ СКРЕЖ

Обезскрежаването на отделението на хладилника е напълно автоматизирано. Образуването на водни капчици върху задната вътрешна стена на отделението на хладилника показва, че е в ход автоматично обезскрежаване. Водата от обезскрежаването се отвежда автоматично в изпускателния отвор и се събира в съд, откъдето се изпарява.

2.6. ОСВЕТЛЕНИЕ НА ХЛАДИЛНИКА

Системата за осветление в отделението на хладилника използва светодиодна лампичка, позволявайки както по-добро осветление, така и много ниско потребление на енергия. Ако системата на светодиодните лампички не работи, се свържете със сервизното обслужване за подмяна.

Важно:

Когато вратичката на хладилника е отворена, включва се осветлението на отделението на хладилника. Ако вратичката се остави отворена за повече от 8 минути, осветлението ще се изключи автоматично.

*Налично при определени модели. Моля, проверете в РЪКОВОДСТВОТО ЗА БЪРЗ СТАРТ дали тази функция действително е налична за вашия модел.

3. ЕКСПЛОАТАЦИЯ

3.1. ЗАБЕЛЕЖКИ

- Не блокирайте областите на изходите за въздух (на задната стена вътре в изделието) с хранителни продукти.
- Всички рафтове, крилца и изваждащи се кошници са подвижни.

- Вътрешните температури на уреда могат да се повлияят от температурата на околната среда, честотата на отваряне на вратичката, а също така и от местоположението на уреда. При настройването на температурата трябва да се имат предвид тези фактори.
- Освен ако не е указано друго, принадлежностите на уреда не са подходящи за измиване в съдомиялна машина.

4. СЪВЕТИ ЗА СЪХРАНЯВАНЕ НА ХРАНИТЕ

Хладилникът е идеалното място за съхранение на готови храни, пресни и консервирани храни, млечни продукти, плодове и зеленчуци и напитки.

4.1. ВЪЗДУШНА ВЕНТИЛАЦИЯ

- Естествената циркулация на въздух в отделението на хладилника води до получаване на зони с различни температури. Най-студено е точно над чекмеджето за плодове и зеленчуци и при задната стена. Най-топло е в горната предна част на отделението.
- Недостатъчната вентилация води до увеличаване на потреблението на енергия и намаляване на охлаждането.

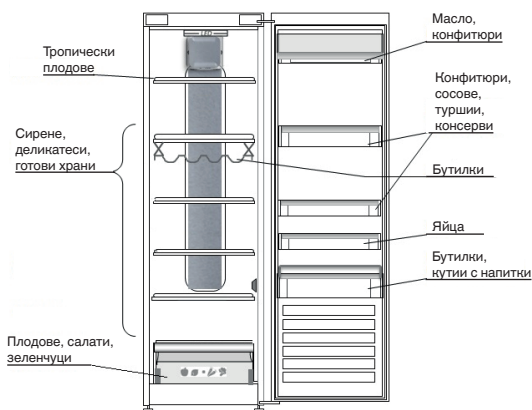
4.2. КАК ДА СЕ СЪХРАНЯВАТ ПРЕСНИ ХРАНИ И НАПИТКИ

- Използвайте пластмасови, метални, алуминиеви и стъклени съдове, които могат да се рециклират, както и опаковъчно фолио за обвиване на храните.
- Винаги използвайте затворени съдове за течности и за храни, които отделят или могат да поемат миризми или вкус, или ги покривайте.
- Храни, които отдават голямо количество етилен, и храни, които са чувствителни към този газ, като плодове, зеленчуци и салати, трябва винаги да бъдат разделяни или увивани във фолио, за да не се намалява срокът на тяхната годност; например, не съхранявайте домати заедно с киви или зеле.
- Не съхранявайте храните прекалено близо една до друга за позволяване на достатъчна циркулация на въздух.
- За избягване на падането на бутилки можете да използвате поставката за бутилки (налична при определени модели).
- Ако имате малко количество храна за съхранение в хладилника, препоръчваме да използвате рафтовете над чекмеджето за плодове и зеленчуци, тъй като това в най-студената област от отделението.

4.3. КЪДЕ ДА СЕ СЪХРАНЯВАТ ПРЕСНИТЕ ХРАНИ И НАПИТКИ

- На рафтовете в хладилника: готови храни, тропически плодове, сирене, деликатеси.
- В чекмеджето за плодове и зеленчуци: плодове, салати, зеленчуци.
- На вратата: масло, конфитюр, сосове, туршии, консерви, бутилки, кутии с напитки, яйца

ПРИМЕР ЗА ПОДРЕЖДАНЕ НА ПРОДУКТИТЕ



5. ШУМОВЕ ПРИ РАБОТА

Шумовете от уреда са нормални, тъй като той разполага с няколко вентилатора и мотора за регулиране на функционирането, които се включват и изключват автоматично.

Някои от тези шумове при работа може да се намалят чрез

- Нивелиране на уреда и монтиране на равна повърхност.
- Отделяне и избягване на контакт между уреда и мебели.
- Проверка дали вътрешните компоненти са правилно поставени.
- Проверка дали бутилките и съдовете не се допират помежду си.

Някои от шумовете при работа, които можете да чуете:

Свистене при включване на уреда за първи път или след дълга пауза.



Клокочене, когато охлаждащата течност влиза в тръбите.



Звук "БРРР" при работа на компресора.



Бръмчене, когато водна клапа или вентилатор започне да работи.



Пукане, когато компресорът стартира или когато готовият лед пада в кутията за лед; рязко щракване, когато компресорът се включва и изключва.



Щракването е от термостата, който регулира честотата на работата на компресора.



6. ПРЕПОРЪКА В СЛУЧАЙ НА НЕИЗПОЛЗВАНЕ НА УРЕДА

6.1. ОТСЪСТВИЕ/ВАКАНЦИЯ

В случай на ваканция се препоръчва да консумирате храните и да изключите уреда с цел спестяване на енергия.

6.2. ПРЕМЕСТВАНЕ

1. Извадете всички вътрешни части.
2. Обвийте ги добре и ги обезопасете със залепваща лента, така че да не се удрят една в друга или да се загубят.
3. Завийте регулируемите крака така, че да не докосват опорната повърхност.
4. Затворете и обезопасете вратичката със залепваща лента и като използвате отново залепваща лента, прикрепете захранващия кабел към уреда.

6.3. ПРЕКЪСВАНЕ НА ЕЛЕКТРОЗАХРАНВАНЕТО

В случай на прекъсване на електрозахранването позволете на местния офис на електроснабдителната компания и попитайте колко ще продължи прекъсването.

Забележка: Не забравяйте, че пълният уред ще остане студен по-дълго време от частично пълен уред.

Ако храните се окажат в лошо състояние, е най-добре те да се изхвърлят.

При прекъсвания на електрозахранването, които продължават до 24 часа.

1. Дръжте вратичката на уреда затворена. Това ще позволи съхранените храни да останат студени възможно най-дълго.

При прекъсвания на електрозахранването, които продължават над 24 часа.

1. Опитайте да изразходвате храните, които се развалят най-лесно.

7. ПОДДРЪЖКА И ПОЧИСТВАНЕ

Преди да извършвате каквато и да е операция по почистване или поддръжка, извадете щепсела на уреда от контакта или изключете захранването му.

Периодично почиствайте уреда с кърпа и разтвор на хладна вода и неутрален почистващ препарат, специално предназначен за вътрешността на хладилника. Никога не използвайте абразивни средства. Никога не почиствайте частите на хладилника със запалими течности. Изпаренията могат да създадат риск от пожар или експлозия. Почистете външните части на уреда и уплътнението на вратата с влажна кърпа и подсушете с мека кърпа.

Не използвайте уреди, почистващи с пара.

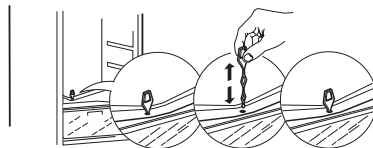
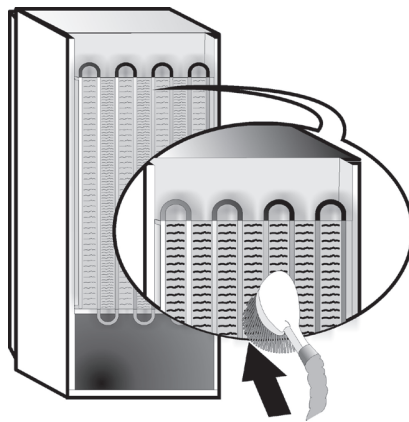
Охладителят, намиращ се в задната част на уреда, трябва да се почиства редовно с прахосмукачка.

Охладителят, намиращ се в задната част на уреда, трябва да се почиства редовно с прахосмукачка.

Важно:

- Бутоните и дисплеят на контролния панел не трябва да се почистват със спирт или вещества на основата на спирт, а със суха кърпа.
- Тръбите на охладителната система се намират в близост до контейнера за обезскрежаване и могат да станат горещи. Периодично ги почиствайте с прахосмукачка.

За да се гарантира непрекъснато и правилно оттичане на водата от обезскрежаването, почиствайте редовно отвътре дренажния отвор, който се намира на гърба на хладилника, в близост до чекмеджето за съхранение на плодове и зеленчуци, като използвате доставения инструмент.



8. РЪКОВОДСТВО ЗА ОТСТРАНЯВАНЕ НА НЕИЗПРАВНОСТИ

8.1. ПРЕДИ ДА СЕ ОБЪРНЕТЕ КЪМ ОТДЕЛА ЗА СЛЕДПРОДАЖБЕНО ОБСЛУЖВАНЕ...

Проблеми с функционирането често възникват в резултат на дребни неща, които можете да откриете и отстраните сами без никакви инструменти.

ПРОБЛЕМ	РЕШЕНИЕ
Уредът не работи:	<ul style="list-style-type: none"> Захранващият кабел включен ли е в работещ контакт с правилното напрежение? Проверили ли сте предпазните устройства и прекъсвачите на домашната електрическа система?
Ано има вода в тавичката за обезкрежаване:	<ul style="list-style-type: none"> Това е нормално при горещо, влажно време. Възможно е дори тавичката да е наполовина пълна. Уверете се, че уредът е нивелиран, така че водата да не прелива.
Ако ръбовете на шкафа на уреда, които влизат в контакт с уплътнението на вратата, са топли при допир:	<ul style="list-style-type: none"> Това е нормално при горещо време и когато компресорът работи.
Ако осветлението не работи:	<ul style="list-style-type: none"> Проверили ли сте предпазните устройства и прекъсвачите на домашната електрическа система? Захранващият кабел включен ли е в работещ контакт с правилното напрежение? Ако светодиодите са счупени, потребителят трябва да се свърже със сервизния отдел за подмяна със същия тип, наличен само от нашите центрове за следпродажбено обслужване или оторизираните дистрибутори.
Ано изглежда, че моторът работи прекалено много:	<ul style="list-style-type: none"> Времето на работа на мотора зависи от различни неща: броя на отварянията на вратичката, количеството на съхраняваните храни, температурата в помещението, настройката на температурните контроли. Охладителят (в задната част на уреда) замърсен ли е с прах и мъх? Вратата добре ли е затворена? Уплътненията на вратичката поставени ли са правилно? В горещи дни или в топло помещение е нормално моторът да работи повече. Ако вратата на уреда е била оставена отворена за дълго време или са поставени големи количества храни, моторът ще работи по-дълго, за да охладя вътрешността на уреда.
Ано температурата на уреда е прекалено висока:	<ul style="list-style-type: none"> Правилно ли са зададени контролите на уреда? Добавено ли е голямо количество храни в уреда? Проверете дали вратата не се отваря прекалено често. Проверете дали вратата се затваря правилно.
Ано вратите не се отварят и затварят правилно:	<ul style="list-style-type: none"> Проверете дали опаковки с храни не блокират вратата. Проверете дали вътрешните части или автоматичното устройство за лед не е разместено. Проверете дали уплътненията на вратата не са замърсени или лепкави. Уверете се, че уредът е нивелиран.

8.2. НЕИЗПРАВНОСТИ

При всяка неизправност и когато някой светодиоден индикатор мига, е необходимо да се свържете със сервиза. Уредът ще работи и ще съхранява поставените продукти.

Забележка: В случай на прекъсване на тока уредът се връща към нормалната работа и избраната по-рано температура се възстановява.

9. СЛЕДПРОДАЖБЕНО ОБСЛУЖВАНЕ

Преди да се обърнете към отдела за следпродажбено обслужване:

Включете отново уреда, за да проверите дали проблемът не се е разрешил. Ако не е, изключете уреда от захранването и изчакайте около час, преди да го включите отново.

Ако след всички описани в ръководството за отстраняване на неизправности проверки и повторно включване на уреда, той все още не работи както трябва, се свържете със сервиза за следпродажбено обслужване и обяснете проблема.

Посочете:

- модела и серийния номер на уреда (посочен на табелката с данни),
- естеството на проблема,

SERVICE 0000 000 00000




- сервизния номер (номерът след думата SERVICE на табелката с данни, поставена вътре в уреда),
- пълния си адрес,
- телефонния си номер и код на област.

Забележка:

Посоката на отваряне на вратата може да се промени. Ако тази операция се извършва от отдела за следпродажбено обслужване, тя не се покрива от гаранцията.

OBSAH

Kapitola 1: INSTALACE	21
1.1. INSTALACE JEDNOHO SPOTŘEBIČE	21
1.2. INSTALACE DVOU SPOTŘEBIČŮ	21
1.3. PŘÍZPŮSOBENÍ DVÍŘEK (je-li tato možnost dostupná)	21
Kapitola 2: FUNKCE	22
2.1. UPOZORNĚNÍ NA OTEVŘENÁ DVÍŘKA	22
2.2. RYCHLÉ CHLAZENÍ 	22
2.3. VENTILÁTOR*	22
2.4. NASTAVENÍ TEPLoty	22
2.5. CHLADICÍ ODDÍL SE SYSTÉMEM „NO-FROST“	22
2.6. OSVĚTLENÍ CHLADNIČKY	22
Kapitola 3: POUŽITÍ	23
3.1. POZNÁMKY	23
Kapitola 4: TIPY PRO SKLADOVÁNÍ POTRAVIN	23
4.1. PROUDĚNÍ VZDUCHU	23
4.2. JAK UCHOVÁVAT ČERSTVÉ POTRAVINY A NÁPOJE	23
4.3. KDE UCHOVÁVAT ČERSTVÉ POTRAVINY A NÁPOJE	23
Kapitola 5: ZVUKY ZPŮSOBENÉ PROVOZEM	24
Kapitola 6: DOPORUČENÍ V PŘÍPADĚ, ŽE SPOTŘEBIČ NENÍ POUŽÍVÁN	25
6.1. NEPŘÍTOMNOST/DOVOLENÁ	25
6.2. STĚHOVÁNÍ	25
6.3. VÝPADEK PROUDU	25
Kapitola 7: ÚDRŽBA A ČIŠTĚNÍ	25
Kapitola 8: ODSTRAŇOVÁNÍ PORUCH	26
8.1. NEŽ SE OBRÁTÍTE NA SERVISNÍ STŘEDISKO	26
8.2. ZÁVADY	26
Kapitola 9: SERVISNÍ STŘEDISKO	27
Jiné:	
ZMĚNA SMĚRU OTEVÍRÁNÍ DVÍŘEK	132

POZNÁMKA:

Pokyny se vztahují k několika modelům současně, mohou se tedy vyskytovat rozdíly. Části, které se vztahují pouze k určitým typům, jsou označeny hvězdičkou (*).
Funkce, kterými je vybaven váš zakoupený model, naleznete ve **STRUČNÉM NÁVODU K POUŽITÍ**.

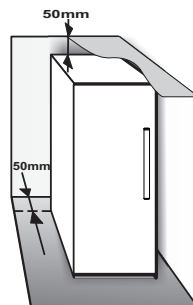
1. INSTALACE

1.1. INSTALACE JEDNOHO SPOTŘEBIČE

Aby bylo zajištěno dostatečné větrání, ponechte prostor na obou stranách a nad spotřebičem.

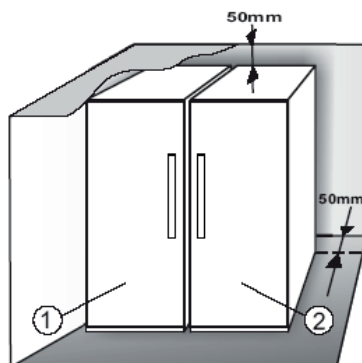
Mezera mezi zadní stranou spotřebiče a stěnou za spotřebičem by měla být alespoň 50 mm.

Menší mezera zvyšuje spotřebu energie spotřebiče.



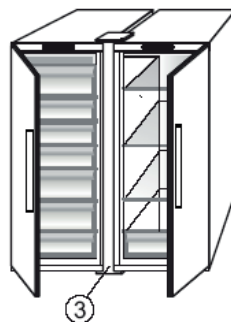
1.2. INSTALACE DVOU SPOTŘEBIČŮ

Při instalaci mrazničky ① a chladničky ② současně se ujistěte, že mraznička je umístěná nalevo a chladnička napravo (jak je znázorněno na obrázku). Levá část chladničky je opatřena speciálním zařízením, které zabraňuje vzniku potíží v souvislosti s kondenzací mezi spotřebiči.



Doporučujeme vám nainstalovat oba spotřebiče současně a použít k tomu propojovací soupravu ③ (viz obrázek).

Můžete si ji zakoupit v servisním středisku.

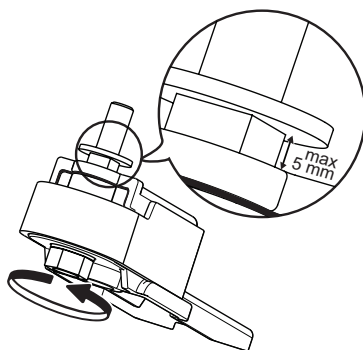


1.3. PŘÍZPŮSOBENÍ DVÍŘEK (je-li tato možnost dostupná)

Za účelem nastavení výšky dvířek použijte nastavitelný spodní pant (vyberte modely)

Jsou-li dvířka chladničky níže než dvířka mrazničky, zvedněte dvířka chladničky nahoru tak, že použijete šroubovák M10 a otočíte seřizovacím šroubem proti směru otáčení hodinových ručiček.

Jsou-li dvířka mrazničky níže než dvířka chladničky, zvedněte dvířka chladničky tak, že použijete šroubovák M10 a otočíte seřizovacím šroubem proti směru otáčení hodinových ručiček.




2. FUNKCE

2.1. UPOZORNĚNÍ NA OTEVŘENÁ DVÍŘKA

Alarm při otevřených dvířkách se spustí, jsou-li dvířka otevřená po dobu delší než 5 minut. Upozornění je rovněž signalizováno blikáním LED osvětlení dvířek. Jsou-li dvířka otevřená déle než 8 minut, LED osvětlení se vypne.

2.2. RYCHLÉ CHLAZENÍ

Tuto funkci doporučujeme použít při vložení velkého množství potravin do chladicího oddílu.

Pomocí funkce „Rychlé chlazení“  můžete zvýšit intenzitu chlazení uvnitř chladničky. Pro maximalizaci kapacity chlazení ponechejte prosím ventilátor zapnutý.

2.3. VENTILÁTOR*

Ventilátor umožňuje dosáhnout rovnoměrnější teploty uvnitř spotřebiče, a tím zajišťuje lepší podmínky pro uchovávání potravin. Z výroby je ventilátor zapnutý. Doporučujeme ponechat ventilátor zapnutý, pokud je okolní teplota vyšší než 27–28 °C nebo pokud na skleněných policích zaregistrujete vodní kapky či pozorujete přílišnou vlhkost. Upozorňujeme, že je-li ventilátor zapnutý, neznámá to, že bude nepřetržitě fungovat. Ventilátor se spouští/zastavuje v závislosti na teplotě nebo vlhkosti uvnitř chladničky. Z tohoto důvodu je naprosto normální, že se ventilátor netočí, i když je zapnutý.

Přejete-li tuto funkci aktivovat či deaktivovat, nahlédněte do příloženého Stručného návodu k použití.

Poznámka:

Přívod vzduchu nezakrývejte potravinami.

Přejete-li si snížit spotřebu energie a zajistit správný výkon při nižší okolní teplotě (nižší než 18 °C), vypněte prosím ventilátor.

Jestliže je spotřebič vybavený ventilátorem, může do něj být vložen **antibakteriální filtr**.

Vyjměte jej z krabice umístěné v zásuvce na ovoce a zeleninu a zasuňte do krytu ventilátoru.

Postup výměny je přiložen v krabici s filtrem.

2.4. NASTAVENÍ TEPLoty

Spotřebič je z výroby běžně nastaven k provozu při doporučené střední teplotě.

Podrobné informace o nastavení teploty naleznete v příloženém Stručném návodu k použití.

Poznámka: Zobrazené hodnoty odpovídají průměrné teplotě v celé chladničce

2.5. CHLADICÍ ODDÍL SE SYSTÉMEM „NO-FROST“

Odmrazování chladicího oddílu je zcela automatické.

Tvoření kapek vody na zadní stěně chladicího oddílu znamená, že právě probíhá automatické odmrzování. Voda z odmrzování automaticky stéká do odtokového kanálku a shromažďuje se v nádobě, odkud se vypařuje.

2.6. OSVĚTLENÍ CHLADNIČKY

Uvnitř chladicího oddílu jsou použity žárovky LED, které umožňují lepší osvětlení při velmi nízké spotřebě energie.

Pokud osvětlovací systém LED nefunguje, obraťte se na servisní středisko a požádejte o výměnu.

Upozornění:

Při otevření dvířek chladicího oddílu se rozsvítí vnitřní osvětlení. Pokud dvířka zůstanou otevřena po dobu delší než 8 minut, světlo se automaticky vypne.

* Tyto součásti a funkce jsou k dispozici pouze u vybraných modelů. Ověřte si ve stručném návodu k použití, zda je tato funkce u příslušného modelu skutečně k dispozici.

3. POUŽITÍ

3.1. POZNÁMKY

- Nezakrývejte potravinami oblast výstupu vzduchu (na zadní straně uvnitř spotřebiče).
- Všechny poličky, držáky a výsuvné koše jsou vyjimatelné.

- Teploty uvnitř spotřebiče mohou být ovlivněny teplotou v místnosti, četností otevírání dveří a umístěním spotřebiče. Při nastavení teploty musíte brát tyto faktory v úvahu.
- Není-li uvedeno jinak, není příslušenství spotřebiče vhodné k mytí v myčce.

4. TIPY PRO SKLADOVÁNÍ POTRAVIN

Chladnička je ideálním místem pro uložení hotových jídel, čerstvých a konzervovaných potravin, mléčných výrobků, ovoce a zeleniny a nápojů.

4.1. PROUDĚNÍ VZDUCHU

- Přirozená cirkulace vzduchu v chladničce vede ke vzniku oblastí s různými teplotami. Nejnižší teplota je přímo nad zásuvkou na ovoce a zeleninu a u zadní stěny. Nejvyšší teplota je v horní přední části prostoru.
- Nedostatečný pohyb vzduchu má za následek zvýšení spotřeby energie a snížení chladicího výkonu.

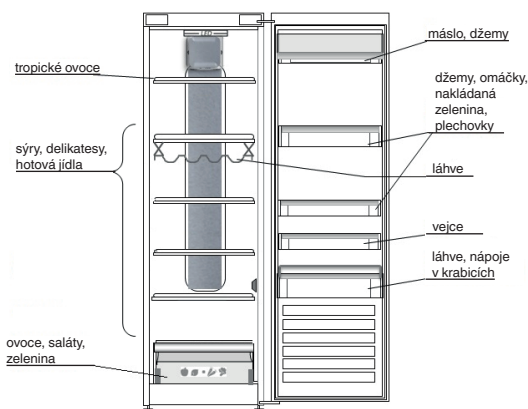
4.2. JAK UCHOVÁVAT ČERSTVÉ POTRAVINY A NÁPOJE

- K balení potravin používejte recyklovatelné plastové, kovové, hliníkové a skleněné nádoby a příslušné fólie.
- Tekutiny nebo potraviny, které šíří nebo pohlcují pach či vůni, uchovávejte vždy v uzavřených nádobách nebo přikryté.
- Potraviny, které uvolňují velké množství ethylenu a které jsou na tento plyn citlivé, jako např. ovoce, zelenina a saláty, by měly být vždy odděleny nebo zabaleny, aby se nezkracovala jejich životnost; například neskladujte rajská jablčka společně s kiwi nebo se zelím.
- Neukládejte potraviny příliš blízko sebe, aby byla zajištěna dostatečná cirkulace vzduchu.
- Aby se zabránilo převržení lahví, můžete použít příhrádku na láhve (k dispozici u vybraných modelů).
- Pokud v chladničce skladujete jen malé množství potravin, doporučujeme použít police nad zásuvkou na ovoce a zeleninu, protože se jedná o nejchladnější oblast.

4.3. KDE UCHOVÁVAT ČERSTVÉ POTRAVINY A NÁPOJE

- Na policích chladničky: hotová jídla, tropické ovoce, sýry, lahůdky.
- V zásuvce na čerstvé ovoce a zeleninu: ovoce, saláty, zelenina.
- Ve dveřích: máslo, džemy, omáčky, nakládaná zelenina, plechovky, láhve, nápoje v krabicích, vejce.

PŘÍKLAD USPOŘÁDÁNÍ POTRAVIN



5. ZVUKY ZPŮSOBENÉ PROVOZEM

Zvuky vycházející ze spotřebiče jsou zcela normální vzhledem k tomu, že spotřebič obsahuje celou řadu větráků a motorů regulujících výkon, které se automaticky zapínají a vypínají.

Některé z funkčních zvuků však můžete omezit

- vyrovnaním spotřebiče do vodorovné polohy a jeho umístěním na rovném povrchu;
- ponecháním volného prostoru mezi spotřebičem a okolním nábytkem;
- kontrolou správného umístění vnitřních prvků;
- kontrolou, zda se láhve a nádoby vzájemně nedotýkají.

Některé z funkčních zvuků, které můžete slyšet:

Syčivý zvuk při prvním zapnutí spotřebiče nebo opětovném zapnutí po delší přestávce.



Bublavý zvuk při vlévání chladicí kapaliny do trubek.



Vrčivý zvuk vydává běžící kompresor.



Bzučení při zahájení činnosti vodního ventilu nebo ventilátoru.



Praskání při spuštění kompresoru nebo při vypadnutí ledu do zásobníku a nárazové praskání při zapnutí a vypnutí kompresoru.



Cvaknutí termostatu, který řídí zapínání kompresoru.



6. DOPORUČENÍ V PŘÍPADĚ, ŽE SPOTŘEBIČ NENÍ POUŽÍVÁN

6.1. NEPŘÍTOMNOST/DOVOLENÁ

V případě delší nepřítomnosti se doporučuje potraviny spotřebovat a spotřebič odpojit z důvodu úspory energie.

6.2. STĚHOVÁNÍ

1. Vyjměte všechny vnitřní díly.
2. Dobře vše zabalte a přelepte lepicí páskou tak, aby do sebe předměty nenarážely a nedošlo k jejich ztrátě.
3. Nastavitelné nožky zašroubujte, aby se nedotýkaly povrchu podložky.
4. Dvířka uzavřete a zajistěte lepicí páskou, s jejíž pomocí také připevněte napájecí kabel ke spotřebiči.

6.3. VÝPADEK PROUDU

V případě výpadku elektrického proudu se obraťte na místní pobočku dodavatele elektrické energie a informujte se, jak dlouho bude výpadek trvat.

Poznámka: Mějte na paměti, že se v zaplněném spotřebiči udrží studený vzduch déle než jen v částečně naplněném.

Shledáte-li, že jsou potraviny ve špatném stavu, je lepší je vyhodit.

U výpadků proudu do 24 hodin.

1. Neotevírejte dvířka spotřebiče. Tím zajistíte, že uložené potraviny zůstanou v chladu co nejdelší dobu.

U výpadků proudu přesahujících 24 hodin.

1. Snažte se spotřebovat jídlo, které se rychleji kazí.

7. ÚDRŽBA A ČIŠTĚNÍ

Před každou údržbou nebo čištěním vytáhněte přívodní kabel z hlavní zásuvky nebo spotřebič odpojte od elektrické sítě. Spotřebič pravidelně vymývejte hadříkem namočeným do roztoku vlažné vody a neutrálního čistícího prostředku určeného speciálně pro vnitřní části chladničky. Nikdy nečistěte hořlavými kapalinami. Výpary mohou způsobit požár nebo výbuch. Vnější části spotřebiče a těsnění dvířek vyčistěte vlhkým hadříkem a osušte měkkým hadříkem. Nepoužívejte parní čističe.

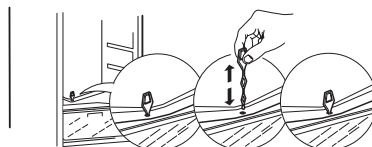
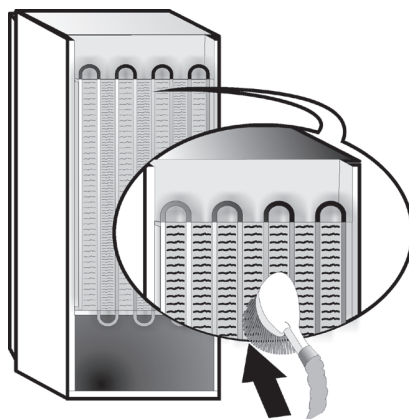
Kondenzátor umístěný v zadní části spotřebiče je potřeba pravidelně čistit vysavačem.

Kondenzátor umístěný v zadní části spotřebiče je potřeba pravidelně čistit vysavačem.

Upozornění:

- Tlačítka a displej ovládacího panelu se nesmí čistit alkoholem ani prostředky na jeho bázi, ale pouze suchým hadříkem.
- Trubky chladicího systému se nacházejí v blízkosti odmrazovací misky a mohou být horké. Čistěte je pravidelně vysavačem.

Pravidelně čistěte přiloženým nástrojem vnitřek odtokového otvoru, který je umístěný na zadní stěně spotřebiče u zásuvky na ovoce a zeleninu; zajistíte tak stálý a pravidelný odtok rozmrazené vody.



8. ODSTRAŇOVÁNÍ PORUCH

8.1. NEŽ SE OBRÁTÍTE NA SERVISNÍ STŘEDISKO...

Problémy s výkonem jsou často způsobeny drobnými závadami, které můžete sami odhalit a opravit i bez použití speciálního nářadí.

PROBLÉM	ŘEŠENÍ
Spotřebič nefunguje:	<ul style="list-style-type: none">• Je napájecí kabel zapojen do funkční zásuvky se správným napětím?• Zkontrolovali jste jističe a pojistky elektrického rozvodu ve své domácnosti?
Pokud je v odmrazovací misce voda:	<ul style="list-style-type: none">• V horkém a vlhkém počasí se jedná o běžný jev. Miska může být dokonce zaplněna až do poloviny. Zkontrolujte, zda je spotřebič vyrovnán, aby voda nepřetékala.
Pokud jsou okraje skříňové spotřebiče, které přicházejí do styku s těsněním dveří, teplé na dotek:	<ul style="list-style-type: none">• Jedná se o jev normální v horkém počasí a při běhu kompresoru.
Pokud vnitřní osvětlení nefunguje:	<ul style="list-style-type: none">• Zkontrolovali jste jističe a pojistky elektrického rozvodu ve své domácnosti?• Je napájecí kabel zapojen do funkční zásuvky se správným napětím?• Jsou-li LED žárovky rozbité, musí uživatel zavolat do servisního střediska a požádat o výměnu za žárovky stejného typu, které jsou k dispozici pouze v našich servisních střediscích nebo u autorizovaných prodejců.
Pokud se zdá, že motor běží nadměrně:	<ul style="list-style-type: none">• Doba běhu motoru závisí na různých faktorech: četnosti otevírání dveří, množství uložených potravin, teplotě v místnosti, nastavení regulace teploty.• Není kondenzátor (na zadní straně spotřebiče) zaprášený a zanesený?• Jsou dvířka řádně dovřená?• Je těsnění dveří správně osazeno?• V horkých dnech nebo v případě vyšší teploty v místnosti je samozřejmé, že motor běží déle.• Pokud byly dveře spotřebiče otevřené po delší dobu nebo pokud bylo vloženo větší množství potravin, poběží motor delší dobu, aby ochladil vnitřní prostor spotřebiče.
Pokud je teplota spotřebiče příliš vysoká:	<ul style="list-style-type: none">• Jsou ovladače spotřebiče správně nastaveny?• Nevložili jste do spotřebiče větší množství potravin?• Neotevírejte dvířka spotřebiče příliš často.• Zkontrolujte, zda jsou dvířka správně dovřená.
Pokud se dvířka správně nezavírají nebo neotevírají:	<ul style="list-style-type: none">• Zkontrolujte, zda zavírání dvířek nebrání uložené potraviny.• Zkontrolujte, zda není posunutý některý z vnitřních dílů nebo automatický výrobek ledu.• Zkontrolujte, zda není těsnění ve dveřích špinavé nebo lepkavé.• Ujistěte se, že je spotřebič ve vodorovné poloze.

8.2. ZÁVADY

Kdykoli se objeví závada, začne problikávat některá z LED kontrolky, je třeba zavolat do servisu. Spotřebič bude pracovat a chránit uložené potraviny.

Poznámka: V případě výpadku napájení se spotřebič vrátí do normálního režimu fungování a obnoví se i naposledy nastavená teplota.

9. SERVISNÍ STŘEDISKO

Než se obrátíte na servisní středisko:

Zkuste spotřebič znovu zapnout. Tímto postupem se problém v některých případech podaří odstranit. Pokud ne, odpojte spotřebič od elektrické sítě a před dalším zapnutím hodinu počkejte.

Pokud po provedení kontroly popsané v části s pokyny k odstranění poruchy a opětovném zapnutí spotřebič stále nefunguje správně, obraťte se na servisní středisko a vysvětlete, v čem problém spočívá.

Sdělte:

- model a sériové číslo spotřebiče (uvedeno na typovém štítku),
- charakter poruchy,

SERVICE 0000 000 00000




- servisní číslo (číslo za slovem SERVICE na typovém štítku umístěném na vnitřní straně spotřebiče),
- svou úplnou adresu,
- své telefonní číslo s předvolbou.

Poznámka:

Směr otevírání dvířek lze změnit. Pokud je tato změna prováděna pracovníky servisního střediska poprodejních služeb, nevztahuje se na ni záruka.

INDHOLDSFORTEGNELSE

Kapitel 1: INSTALLATION	29
1.1. INSTALLATION AF ENKELT APPARAT	29
1.2. INSTALLATION AF TO APPARATER	29
1.3. JUSTÉR LÅGER (Om forudset)	29
Kapitel 2: FUNKTIONER	30
2.1. ALARMEN ÅBEN LÅGE	30
2.2. LYNFAKØLING 	30
2.3. BLÆSER*	30
2.4. TEMPERATURINDSTILLING	30
2.5. NO-FROST KØLEAFDELING	30
2.6. KØLESKABSLYS	30
Kapitel 3: BRUG	31
3.1. NOTATER	31
Kapitel 4: OPBEVARINGSTIPS	31
4.1. LUFTVENTILATION	31
4.2. OPBEVARING AF FRISKE FØDEVARER OG DRIKKEVARER	31
4.3. OPBEVARINGSTED FOR FRISKE FØDEVARER OG DRIKKEVARER	31
Kapitel 5: FUNKTIONELLE LYDE	32
Kapitel 6: ANBEFALING HVIS APPARATET IKKE BRUGES	33
6.1. VED LÆNGEREVARENDE FRAVÆR/FERIE	33
6.2. FLYTNING	33
6.3. STRØMSVIGT	33
Kapitel 7: RENGØRING OG VEDLIGEHOLDELSE	33
Kapitel 8: FEJLFINDINGSOVERSIGT	34
8.1. FØR SERVICEAFDELINGEN KONTAKTES...	34
8.2. FEJL	34
Kapitel 9: SERVICEAFDELING	35
Andet:	
ÆNDRING AF DØRENS ÅBNINGSRETNING	132

BEMÆRK:

Brugsanvisningen gælder for flere modeller, så der kan være forskelle. Sektioner, der kun gælder for bestemte apparater, er angivet med en stjerne (*).

Du kan finde funktioner, der gælder specielt for din allerede købte model, i OVERSIGTSVEJLEDNINGEN.

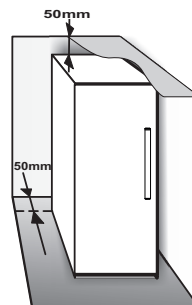
1. INSTALLATION

1.1. INSTALLATION AF ENKELT APPARAT

For at sikre tilstrækkelig ventilation skal der efterlades mellemrum på begge sider og oven over apparatet.

Der skal være en afstand på mindst 50 cm mellem apparatets bagside og væggen.

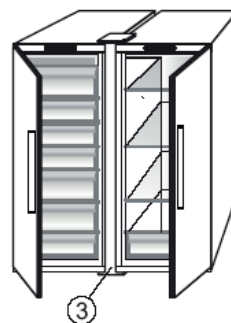
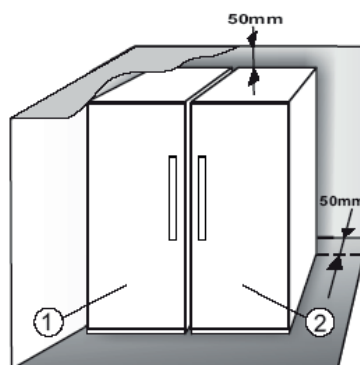
En reduktion af denne afstand vil øge produktets energiforbrug.



1.2. INSTALLATION AF TO APPARATER

Hvis fryseren ① og køleskabet ② opstilles sammen, skal fryseren placeres til venstre og køleskabet til højre (som vist på tegningen). På venstre side af køleskabet findes en særlig anordning til at undgå kondensproblemer mellem apparaterne.

Vi anbefaler, at opstille to apparater sammen ved hjælp af et opstillingssæt ③ (som vist på tegningen). Det kan købes fra serviceafdelingen.

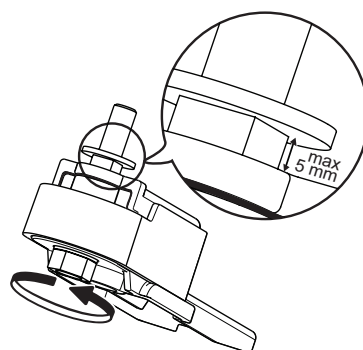


1.3. JUSTÉR LÅGER (Om forudset)

Justering af dørene ved brug af det justerbare hængsel foruden (visse modeller)

Hvis køleskabets dør er lavere end fryseafdelingens dør, hæves køleskabets dør ved at dreje justeringsskruen mod uret ved brug af en M10-nøgle.

Hvis fryseafdelingens dør er lavere end køleskabets dør, hæves fryseafdelingens dør ved at dreje justeringsskruen mod uret ved brug af en M10-nøgle.




2. FUNKTIONER

2.1. ALARMEN ÅBEN LÅGE

Alarmen aktiveres, når døren har stået åben i mere end 5 minutter. Angivelse af alarm vises ved at lysdioden i lågens lys blinker. Hvis døren holdes åben i mere end 8 minutter, slukkes lyset automatisk.

2.2. LYNÆFKØLING

Det anbefales at bruge denne funktion, når der anbringes en meget stor mængde madvarer i køleafdelingen.

Funktionen Lynafkøling  anvendes til at øge kølingen i køleafdelingen. Hold ventilatoren tændt for at maksimere kølingen.

2.3. BLÆSER*

Ventilatoren forbedrer temperaturfordelingen i apparatet, hvilket giver en bedre opbevaring af madvarerne. Ventilatoren er som standard tændt. Det anbefales at lade ventilatoren være tændt hvis omgivelsestemperaturen overstiger $27 \pm 28^{\circ}\text{C}$ eller hvis der er vanddråber på glashylderne, eller det er meget fugtigt i omgivelserne. Bemærk, at ventilatoren ikke kører konstant, når der er tændt for den. Ventilatoren aktiveres/deaktiveres afhængigt af temperatur- og/eller fugtighedsniveauet i apparatet. Det er derfor helt normalt, at ventilatoren ikke kører, selvom der er tændt for den.

Følg anvisningerne i oversigtsvejledningen for at aktivere/deaktivere denne funktion.

Bemærk:

Blokér ikke indsugningsområdet med madvarer.

Sluk for ventilatoren for at sikre korrekt ydelse ved lavere rumtemperatur (under 18°C) og minimere energiforbruget.

Hvis apparatet har en ventilator, kan den forsynes med det **antibakterielle filter**.

Tag det ud af æsken i grøntsagsskuffen, og sæt det ind i ventilatordækslet.

Udskiftningsvejledningen leveres sammen med filteret.

2.4. TEMPERATURINDSTILLING

Apparatet er normalt fabriksindstillet til den anbefalede middeltemperatur.

Se den medfølgende oversigtsvejledning for oplysninger om indstilling af temperatur.

Bemærk: De viste temperaturindstillinger svarer til den gennemsnitlige temperatur i hele køleskabet

2.5. NO-FROST KØLEAFDELING

Afrimningen af køleafdelingen er fuldautomatisk.

Dannelse af vanddråber på køleafdelingens bagvæg betyder, at den automatiske afrimning er i gang.

Afrimningsvandet ledes automatisk via en afløbskanal ud i en beholder, hvor det fordamper.

2.6. KØLESKABSLYS

Lyssystemet i køleafdelingen bruger LED-lys, der giver en bedre belysning, og som har et meget lavt forbrug af energi.

Hvis lysdiode-belysningsystemet ikke fungerer, skal det udskiftes af serviceafdelingen.

Vigtigt:

Køleafdelingens lys tænder, når lågen åbnes. Hvis lågen holdes åben i mere end 8 minutter, slukkes lyset automatisk.

*Findes kun på udvalgte modeller. Se i oversigtsvejledningen, om denne funktion er findes på din model.

3. BRUG

3.1. NOTATER

- Undlad at blokere åbningen til luftudledning (på bagvæggen inde i produktet) med fødevarer.
- Alle hylder, klapper og kurve kan tages ud.

- Apparatets indvendige temperatur afhænger af rumtemperaturen, apparatets placering, og hvor tit lågen åbnes. Disse faktorer skal tages i betragtning ved indstillingen af temperaturen.
- Tilbehørsdelene kan ikke vaskes i opvaskemaskine, medmindre andet er angivet.

4. OPBEVARINGSTIPS

Køleskabet er ideelt til opbevaring af færdigretter, friske og konserverede fødevarer, mejeriprodukter, frugt, grøntsager og drikkevarer.

4.1. LUFTVENTILATION

- Den naturlige luftcirkulation i køleskabet resulterer i zoner med forskellige temperaturer. Det er koldest lige over frugt- og grøntsagsskuffen og ved bagvæggen. Det er varmest øverst foran i køleskabet.
- Utilstrækkelig ventilation resulterer i en stigning i energiforbruget og en reduktion af køleeffekten.

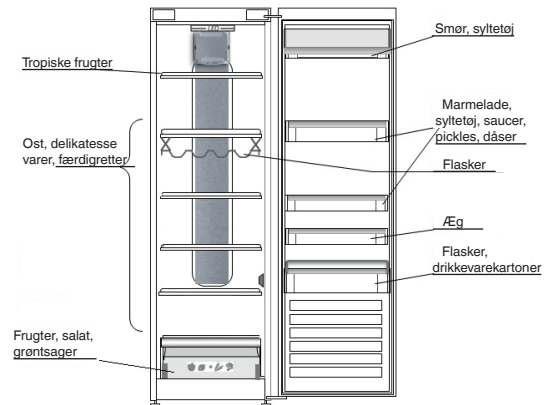
4.2. OPBEVARING AF FRISKE FØDEVARER OG DRIKKEVARER

- Brug genanvendelige plast-, metal-, aluminiums- og glasbeholdere og film til at pakke fødevarer ind.
- Brug altid lukkede beholdere til væsker og til fødevarer, der kan afgive eller være behæftet med stærk lugt eller smag eller dæk dem til.
- Fødevarer, som afgiver store mængder ætylen gas, eller dem som er følsomme overfor dette, så som frugt, grøntsager og salat, bør altid opbevares separat eller indpakket, så deres opbevaring ikke forkortes; for eksempel, bør tomater ikke opbevares sammen med kiwifrugter eller kål.
- Placér ikke fødevarer for tæt på hinanden for at sikre en tilstrækkelig luftcirkulation.
- Brug flaskeholderen (tilgængelig på udvalgte modeller) for ikke at vælte flasker.
- Hvis der kun skal gemmes en lille mængde mad i køleskabet, anbefaler vi at bruge hylderne over frugt- og grøntsagsskuffen, da dette er det køligste område i køleafdelingen.

4.3. OPBEVARINGSTED FOR FRISKE FØDEVARER OG DRIKKEVARER

- På køleskabets hylder: færdigretter, tropiske frugter, oste, deli.
- I frugt-/grøntsagsskuffen: frugt, salat, grøntsager.
- I døren: smør, marmelade, saucer, pickles, dåser, flasker, drikkevarekartoner, æg

EKSEMPEL PÅ OPTIMAL FYLDNING



5. FUNKTIONELLE LYDE

Det er normalt, at der høres forskellige lyde fra dine apparater, da de har en række ventilatorer og motorer til at regulere funktioner, der automatisk tændes og slukkes.

Nogle af de funktionelle lyde kan reduceres ved at

- Sætte apparatet i vater og opstille det på en jævn overflade.
- Undgå kontakt mellem apparatet og andre køkkenelementer.
- Kontrollere, at de interne dele er placeret korrekt.
- Sørge for, at flasker og beholdere ikke berører hinanden.

Nogle af de funktionelle lyde der kan høres:

En hvislende lyd, når apparatet tændes første gang eller efter en lang pause.



En gurglende lyd, når kølevæsken kommer ind i rørene.



BRRR lyden kommer fra kompressoren.



En summende lyd, når vandventilen eller ventilatoren går i gang.



En knagende lyd, når kompressoren starter, eller når færdig is falder ind i isboksen. Pludselige klik, når kompressoren tænder og slukker.



KLIKKET kommer fra termostaten, der justerer kompressorfunktionens hyppighed.



6. ANBEFALING HVIS APPARATET IKKE BRUGES

6.1. VED LÆNGEREVARENDE FRAVÆR/FERIE

I tilfælde af længere fravær anbefales det at bruge fødevarer og frakoble apparatet for at spare strøm.

6.2. FLYTNING

1. Fjern alle indvendige dele.
2. Pak delene godt ind, og tape dem sammen, så de ikke går løse eller rystes.
3. Justér de justerbare fødder, så de ikke berører støtteunderlaget.
4. Luk, og fastgør lågen med tape, og brug også tape til at fastgøre strømkablet bag på køle-/fryseskabet med.

6.3. STRØMSVIGT

Ved strømsvigt kontaktes det lokale elværk for at høre, hvor længe man regner med, at strømsvigtet vil vare.

Bemærk: Husk, at et fyldt apparat forbliver koldt længere end et halvfyldt.

Hvis madvarerne derimod er i dårlig tilstand, skal de kasseres.

Ved strømsvigt, der varer op til 24 timer.

1. Hold apparatets låge lukket. Dette holder madvarerne kolde længst muligt.

Ved strømsvigt, der varer mere end 24 timer.

1. Forsøg at anvende de madvarer, der hurtigst vil blive ødelagt.

7. RENGØRING OG VEDLIGEHOLDELSE

Før enhver form for vedligeholdelse eller rengøring skal stikket tages ud af stikkontakten eller strømmen afbrydes på hovedafbryderen.

Rengør apparatet regelmæssigt med en svamp fugtet med en opløsning af lunken vand og neutralt rengøringsmiddel beregnet til køleskabe. Brug aldrig skurremidler. Rengør aldrig køle-/fryseskabsdele med brændbare væsker. Dampene kan starte en brand eller en eksplosion. Rengør apparatets yderside og dørpakningen med en fugtig klud og tør af med en blød klud.

Anvend ikke damprensere.

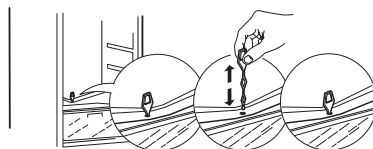
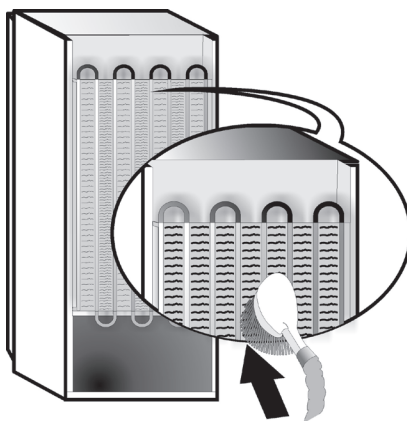
Rengør kondensatoren på bagsiden af apparatet med støvsugeren eller en børste.

Rengør kondensatoren på bagsiden af apparatet med støvsugeren eller en børste.

Vigtigt:

- Betjeningspanelets taster og display må ikke rengøres med produkter, der indeholder alkohol eller afledte produkter, men kun med en tør klud.
- Kølesystemets kølerør er placeret nær afrimningsbakken, og de kan blive varme. Rengør dem regelmæssigt med støvsugeren.

For at sikre konstant og korrekt udløb af afrimningsvandet skal afløbshullet på køleskabets bagvæg ved siden af frugt- og grøntsagsskuffen rengøres regelmæssigt indvendigt med det medfølgende værktøj.



8. FEJLFINDINGSOVERSIGT

8.1. FØR SERVICEAFDELINGEN KONTAKTES...

Ydelsesproblemer skyldes ofte små ting, som du selv kan finde og rette uden værktøjer af nogen art.

PROBLEM	LØSNING
Apparatet fungerer ikke:	<ul style="list-style-type: none">• Er netledningen sat i en stikkontakt med korrekt spænding?• Er der gået en sikring?
Der er vand i afrimningsbakken:	<ul style="list-style-type: none">• Dette er normalt i varmt, fugtigt vejr. Bakken kan være halvt fyldt. Sørg for, at apparatet er i vater, så vandet ikke løber ud.
Kanterne på køle-/fryseskabets kabinet, der kommer i kontakt med dørpakningen, er varme ved berøring:	<ul style="list-style-type: none">• Dette er normalt i varmt vejr og når kompressoren kører.
Lysset fungerer ikke:	<ul style="list-style-type: none">• Er der gået en sikring?• Er netledningen sat i en stikkontakt med korrekt spænding?• Fjern pæren, og udskift den med en af samme type fra vores forhandlere eller serviceafdeling.
Motoren synes at køre for meget:	<ul style="list-style-type: none">• Motorens kørselstid afhænger af forskellige ting: antallet af gange lågen åbnes, mængden af opbevarede madvarer, rumtemperaturen samt indstillingen af termostaterne.• Er kondensatoren (på apparatets bagvæg) fri for støv?• Er døren lukket ordentligt?• Er dørpakningerne tætte?• På varme dage, eller hvis lokalet er varmt, kører motoren i længere tid.• Hvis lågen har været åbnet hyppigt, eller hvis der er anbragt store mængder af madvarer, kører motoren i længere tid for at køle det indre af apparatet ned.
Temperaturen er for høj:	<ul style="list-style-type: none">• Er betjeningsanordningerne indstillet korrekt?• Er der netop lagt en større mængde madvarer i køle- eller fryseafdelingen?• Kontrollér, at lågen ikke bliver åbnet for tit.• Kontrollér, at lågen lukker ordentligt.
Døren åbner og lukker ikke korrekt:	<ul style="list-style-type: none">• Kontrollér, at madvareemballage ikke blokerer døren.• Kontrollér, at skåle, hylder, skuffer og ismaskinen er på plads.• Kontrollér, om dørpakningen er ren og ikke klæber.• Sørg for, at apparatet er i vater.

8.2. FEJL

Hvis der opstår en fejl eller hvis en kontrollampe begynder at blinke, skal serviceafdeling kontaktes. Apparatet fungerer, og opbevarer madvarerne.

Bemærk: Ved strømsvigt vender apparatet tilbage til normal drift, og den tidligere temperaturindstilling genoprettes.

9. SERVICEAFDELING

Før serviceafdelingen kontaktes:

Start apparatet igen for at se, om fejlen er afhjulpet. Hvis dette ikke er tilfældet, afbrydes strømmen igen, og operationen gentages efter en time.

Hvis apparatet stadig ikke fungerer korrekt, efter at kontrollerne i fejlfindingsoversigten er udført, og der er tændt for apparatet igen, skal serviceafdelingen kontaktes. Beskriv problemet.

Oplys venligst:

- Modellen og apparatets serienummer (opgivet på typepladen)
- Fejltypen,

SERVICE 0000 000 00000



- Servicenummeret (nummeret står efter ordet SERVICE på typepladen, der er anbragt inde i apparatet),
- Fulde navn og adresse
- Dit telefonnummer.

Bemærk:

Lågen kan vendes, så den åbner i modsatte side. Hvis serviceafdelingen udfører vending af lågen, dækkes det ikke af garantien.

SISÄLTÖ

Luku 1: ASENNUS	37
1.1. YHDEN LAITTEEN ASENTAMINEN	37
1.2. KAHDEN LAITTEEN ASENTAMINEN	37
1.3. OVIEN SÄÄTÄMINEN (Ei kaikissa malleissa)	37
Luku 2: TOIMINNOT	38
2.1. OVI AUKI -HÄLYTYS	38
2.2. PIKAJÄÄHDYTYKSEN SÄÄTÄMINEN	38
2.3. TUULETIN*	38
2.4. LÄMPÖTILA-ASETUS	38
2.5. NO-FROST HUURTUMATON JÄÄKAAPPIOSASTO	38
2.6. JÄÄKAAPIN SISÄVALO	38
Luku 3: KÄYTTÖ	39
3.1. HUOMAUTUKSIA	39
Luku 4: VINKKEJÄ RUOAN SÄILYTYKSEEN	39
4.1. ILMANVAIHTO	39
4.2. TUORETARVIKKEIDEN JA JUOMIEN SÄILYTYSOHJEITA	39
4.3. TUORETARVIKKEIDEN JA JUOMIEN SÄILYTYSPAIKAT	39
Luku 5: TOIMINTAÄÄNET	40
Luku 6: SUOSITELTAVAT TOIMENPITEET, JOS LAITETTA EI KÄYTETÄ	41
6.1. PITKÄ POISSAOLO / LOMA-AIKA	41
6.2. SIIRTÄMINEN	41
6.3. SÄHKÖKATKO	41
Luku 7: LAITTEEN HUOLTO JA	41
Luku 8: VIANETSINTÄOPAS	42
8.1. ENNEN KUIN OTAT YHTEYTTÄ HUOLTOON	42
8.2. VIAT	42
Luku 9: HUOLTOPALVELU	43
Muut:	
OVEN KÄTISYYDEN VAIHTAMINEN	132

HUOM.:

Ohjeet on kirjoitettu useita malleja varten, joten malleissa voi olla eroja. Jos osio koskee vain tiettyjä laitteita, se on merkitty asteriskilla (*).
Toiminnot, jotka koskevat juuri ostettua tuotemallia, löytyvät PIKAOPPAASTA.

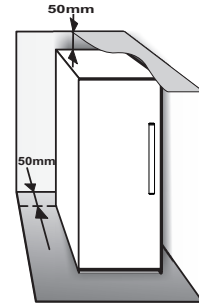
1. ASENNUS

1.1. YHDEN LAITTEEN ASENTAMINEN

Riittävän ilmanvaihdon varmistamiseksi jätä laitteen sivuille ja yläpuolelle tyhjää tilaa.

Laitteen takaosan ja seinän välisen etäisyyden tulisi olla vähintään 50 mm.

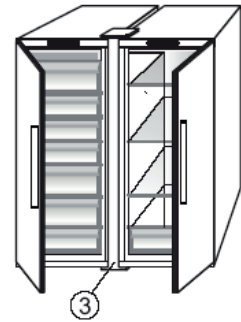
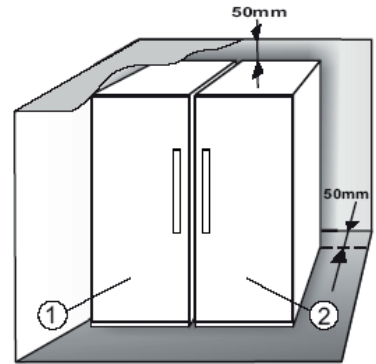
Tätä pienempi etäisyys lisää tuotteen energiankulutusta.



1.2. KAHDEN LAITTEEN ASENTAMINEN

Jos pakastin ① ja jääkaappi ② asennetaan yhdessä, pakastin on sijoitettava vasemmalle ja jääkaappi oikealle puolelle (kuvan mukaisesti). Jääkaapin vasemmalla sivulla on erityinen laite, joka estää kondensaatio-ongelmat laitteiden välillä.

Suosittellemme, että kaksi laitetta asennetaan yhdessä käyttämällä liittämisarjaa ③ (kuvan mukaisesti). Se voidaan ostaa huoltopalvelusta.

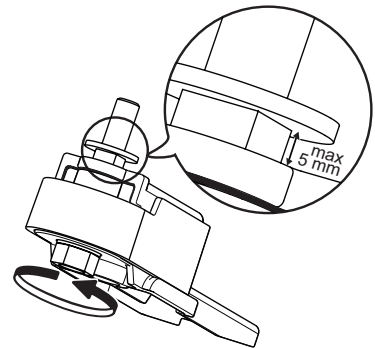


1.3. OVIENTÄÄMINEN (Ei kaikissa malleissa)

Ovien asettaminen samaan tasoon säädettävää alasaranaa käyttäen (joissakin malleissa)

Jos jääkaapin ovi on pakastimen ovea alempana, nosta jääkaapin ovea kiertämällä säätöruuvia vastapäivään M10-ruuviavaimella.

Jos pakastimen ovi on jääkaapin ovea alempana, nosta pakastimen ovea kiertämällä säätöruuvia vastapäivään M10-ruuviavaimella.




2. TOIMINNOT

2.1. OVI AUKI -HÄLYTYS

Ovi auki -hälytys käynnistyy, jos ovi on ollut auki yli 5 minuuttia. Viikkuva oven LED-merkkivalo ilmoittaa hälytyksestä. Jos ovea pidetään auki yli 8 minuuttia, oven LED-merkkivalo sammuu.

2.2. PIKAJÄÄHDYTYΣ

Tätä toimintoa kannattaa käyttää silloin, kun jääkaappiosastoon asetetaan kerralla suuria määriä elintarvikkeita.

Pikajäähdystoiminnolla  voidaan parantaa jääkaappiosaston jäähdystehoa. Jäähdystehon maksimoimiseksi tuuletin on pidettävä päällä.

2.3. TUULETIN*

Tuuletin parantaa lämmön jakautumista laitteen sisällä, jolloin elintarvikkeet säilyvät paremmin. Tuuletin on oletuksena päällä. Tuulettimen käyttöä suositellaan kun ympäröivän ilman lämpötila on yli 27 – 28 °C tai jos lasihyllyillä näkyy vesipisaroita tai sää on kostea. Huomaa, että tuuletin ei toimi jatkuvasti, vaikka se on kytketty päälle. Tuuletin käynnistyy/pysähtyy laitteen sisäisen lämpötilan ja/tai kosteustason mukaisesti. Tämän vuoksi on täysin normaalia, jos tuuletin ei toimi, vaikka se on kytketty päälle. Tämän toiminnon käyttöohjeet ovat oheisessa Pikaoppaassa.

Huomaa:

Älä aseta ruokia ilmanottoaukkojen eteen.

Kytke tuuletin pois toiminnasta, kun ympäristön lämpötila on alhainen (alle 18 °C). Näin varmistat laitteen asianmukaisen toiminnan ja minimoit energiankulutuksen.

Jos laitteessa on tuuletin, se voidaan varustaa **antibakteerisella suodattimella.**

Ota suodatin pakkauksesta hedelmä- ja vihanneslaatikon sisällä ja aseta se tuulettimen suojukseen.

Vaihto-ohjeet ovat suodattimen pakkauksessa.

2.4. LÄMPÖTILA-ASETUS

Laitteen käyttölämpötilaksi on yleensä tehtaalla asetettu suositeltu normaali lämpötila.

Lämpötilan asetusohjeet ovat oheisessa Pikaoppaassa.

Huomaa: Näytössä näytettävät arvot vastaavat koko jääkaapin keskimääräistä lämpötilaa

2.5. NO-FROST HUURTUMATON JÄÄKAAPPIOSASTO

Jääkaappiosaston sulatus on täysin automaattinen. Jääkaappiosaston sisälle, takaseinään muodostuvat vesipisarot ilmaisevat, että automaattinen sulatus on käynnissä. Sulatusvesi valuu automaattisesti tyhjennysaukkoon ja siitä haihdutusastiaan, josta se haihtuu pois.

2.6. JÄÄKAAPIN SISÄVALO

Jääkaappiosaston sisällä oleva valojärjestelmä käyttää LED-valoja. Niillä aikaansaadaan parempi valaistus ja niiden energiankulutus on hyvin alhainen.

Jos LED-valojärjestelmä ei toimi, ota yhteys huoltopalveluun valojen vaihtamiseksi.

Tärkeää:

Jääkaappiosaston sisävalo syttyy, kun jääkaapin ovi avataan. Jos ovea pidetään auki yli 8 minuuttia, valo sammuu automaattisesti.

*Vain tietyissä malleissa. Tarkista PIKAOPPAASTA, onko tämä toiminto käytettävissä ostamassasi mallissa.

3. KÄYTTÖ

3.1. HUOMAUTUKSIA

- Älä tuki ilmanpoistoaluetta (tuotteen sisällä takaseinässä) elintarvikkeilla.
- Kaikki hyllytasot, luukut ja ulosvedettävät korit ovat irrotettavissa.

- Ympäristön lämpötila, oven avaamiskertojen tiheys sekä laitteen sijainti saattavat vaikuttaa laitteen sisälämpötilaan. Huomioi nämä tekijät säätäessäsi lämpötila-asetusta.
- Ellei toisin ole mainittu, laitteen lisävarusteet eivät kestä konepesua.

4. VINKKEJÄ RUOAN SÄILYTYKSEEN

Jääkaappi sopii erityisesti valmisruokien, tuoreiden ja säilötyjen elintarvikkeiden, maitotuotteiden, hedelmien, vihannesten ja juomien säilytykseen.

4.1. ILMANVAIHTO

- Jääkaappiosaston luontainen ilmankierto saa aikaan alueita, joissa on eri lämpötila. Kylmintä on heti hedelmä- ja vihanneslaatikon yläpuolella ja takaseinän lähellä. Lämpimintä on osaston yläetuosassa.
- Puutteellinen ilmanvaihto lisää energiankulutusta ja vähentää jäähdystystehoa.

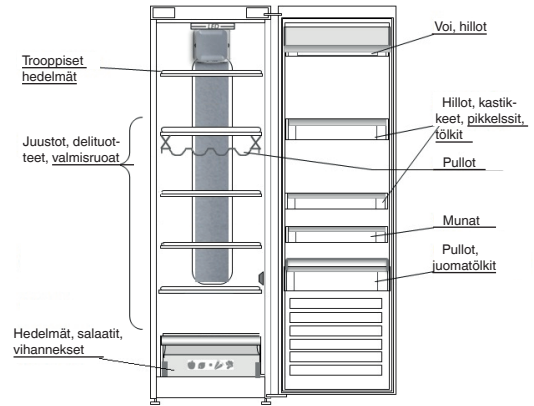
4.2. TUORETARVIKKEIDEN JA JUOMIEN SÄILYTYSOHJEITA

- Käytä ruokien suojana kierrätyskelpoisia muovi-, metalli-, alumiini- ja lasiastioita tai tuorekelmua.
- Laita nestemäiset tuotteet sekä makuja tai hajuja levittävät tai imevät tuotteet suljettuihin astioihin tai kääri ne.
- Ruokat, joista vapautuu suuria määriä etyleenikaasua sekä ne, jotka ovat herkkiä tälle kaasulle, kuten hedelmät, vihannokset ja salaatti, tulisi aina erotella tai kääriä, jotta niiden säilymisaika ei lyhentyisi; esimerkiksi tomaatteja ei saisi säilyttää yhdessä kiivien tai kaalin kanssa.
- Jätä elintarvikkeiden väliin riittävästi tilaa, jotta ilma pääsee kiertämään.
- Käytä pullopidikettä, jotta pullot eivät kaadu (saatavilla joissakin malleissa).
- Jos jääkaapissa säilytettävää ruokaa on vain vähän, on suositeltavaa käyttää hedelmä- ja vihanneslaatikon yläpuolella olevia hyllyjä, sillä se on osaston kylmin paikka.

4.3. TUORETARVIKKEIDEN JA JUOMIEN SÄILYTYSPIIKAT

- Jääkaapin hyllyillä: valmisruokat, trooppiset hedelmät, juustot, delituotteet.
- Hedelmä- ja vihanneslaatikossa: hedelmät, salaattit, vihannokset.
- Ovesa: voi, hillot, kastikkeet, pikkelssit, tölkit, pullot, juomatölkit, munat.

ELINTARVIKKEIDEN SIOITTELUESIMERKKI



5. TOIMINTÄÄÄNET

Laitteesta kuuluu normaalin toiminnan aikana ääniä, koska laitteessa on useita tuulettimia ja sähkömoottoreita, jotka kytkeytyvät toimintaan ja pois toiminnasta automaattisesti.

Joitakin toimintaääniä voidaan kuitenkin vähentää

- Säättämällä laite vaakatasoon ja sijoittamalla se tasaiselle alustalle.
- Sijoittamalla laite erilleen niin, että se ei kosketa kalusteisiin.
- Tarkastamalla, että sisäosat on laitettu oikein paikalleen.
- Tarkastamalla, että pullot ja muut astiat eivät ole kosketuksissa toisiinsa.

Seuraavia toimintaääniä saattaa kuulua:

Suhiseva ääni, kun laite kytetään toimintaan ensimmäistä kertaa tai pitkän tauon jälkeen.



Kurluttava ääni, kun kylmäaineneeste virtaa putkissa.



BRRR-ääni kuuluu käynnissä olevasta kompressorista.



Suriseva ääni, kun vesiventtiili tai tuuletin alkaa toimia.



Raksahtava ääni, kun kompressori alkaa toimia tai kun valmiit jääpalat tippuvat jääpala-astian, naksahdukset, kun kompressorit käynnistyvät ja pysähtyvät.



NAKSAUS kuuluu termostaatista, joka säätelee kompressorin käyntitiheyden.



6. SUOSITELTAVAT TOIMENPITEET, JOS LAITETTA EI KÄYTETÄ

6.1. PITKÄ POISSAOLO / LOMA-AIKA

Ennen lomalle lähtemistä on energian säästämiseksi suositeltavaa käyttää elintarvikkeet loppuun ja irrottaa laite sähköverkosta.

6.2. SIIRTÄMINEN

1. Poista kaikki sisäiset osat.
2. Pakkaa osat hyvin ja kiinnitä ne toisiinsa teipillä, jotta ne eivät kolhiudu toisiaan vasten tai pääse katoamaan.
3. Kierrä säädettävät jalat niin, että ne eivät koske tukipintaan.
4. Sulje ovi ja kiinnitä se teipillä. Kiinnitä myös laitteen verkkojohto laitteeseen teipillä.

6.3. SÄHKÖKATKO

Jos virta katkeaa, tiedustele paikalliselta sähkölaitokselta, kuinka kauan sähkökatko todennäköisesti kestää.

Huomaa: Muista, että laite kestää kylmänä pidempään, jos se on täynnä.

Jos elintarvike vaikuttaa huonolaatuiselta, se kannattaa hävittää.

Jos sähkökatko kestää korkeintaan 24 tuntia.

1. Pidä laitteen ovi suljettuna. Näin laitteen sisällä olevat elintarvikkeet pysyvät kylminä mahdollisimman pitkään.

Jos sähkökatko kestää yli 24 tuntia:

1. Yritä käyttää helposti pilaantuvat elintarvikkeet.

7. LAITTEEN HUOLTO JA

Irrota pistoke pistorasiasta tai kytkä laite irti sähköverkosta ennen minkään huolto- tai puhdistustoimenpiteen aloittamista.

Puhdista laite silloin tällöin liinalla, joka on kastettu haaleaa vettä ja neutraaleja, erityisesti jääkaapin sisäosien puhdistukseen tarkoitettuja puhdistusaineita sisältävään liuokseen. Älä käytä hankaavia pesuaineita. Älä koskaan puhdista jääkaapin osia syttyvillä nesteillä. Höyryt saattavat aiheuttaa tulipaloja tai räjähdyksiä. Puhdista laitteen ulkopuoli ja ovitiiviste kostealla liinalla ja kuivaa pehmeällä liinalla. Älä käytä höyrypesuria.

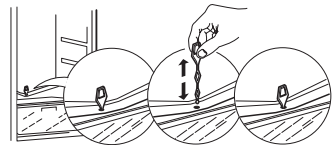
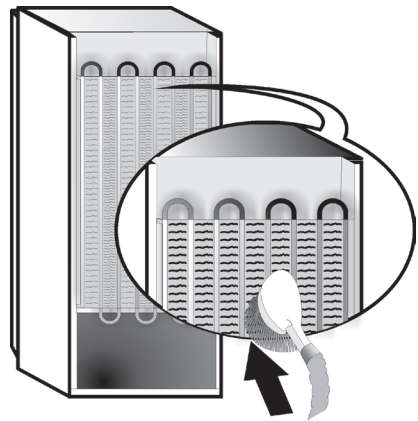
Lauhdutin laitteen takana tulee puhdistaa säännöllisesti pölynimurilla.

Lauhdutin laitteen takana tulee puhdistaa säännöllisesti pölynimurilla.

Tärkeää:

- Painikkeet ja käyttöpaneelin näyttö on puhdistettava kuivalla liinalla. Puhdistamiseen ei saa käyttää alkoholia tai alkoholipohjaisia aineita.
- Jäähdytysjärjestelmän putket ovat lähellä sulatuskaukaloa ja saattavat kuumeta. Puhdista ne ajoittain pölynimurilla.

Puhdista jääkaapin takaseinässä, hedelmä- ja vihanneslaatikon kohdalla oleva poistoaukko säännöllisesti laitteen mukana toimitetulla välineellä, jotta sulatusvesi poistuu aina oikeaa väylää pitkin.



8. VIANETSINTÄOPAS

8.1. ENNEN KUIN OTAT YHTEYTTÄ HUOLTOON...

Toimintaan liittyvät ongelmat ovat usein pieniä pulmia, jotka on helppo selvittää ja voidaan korjata ilman työkaluja.

ONGELMA	RATKAISU
Laite ei toimi:	<ul style="list-style-type: none">• Onko verkkojohto liitetty pistorasiaan, jossa on oikea jännite?• Oletko tarkastanut asunnon sähköverkon suojalaitteet ja sulakkeet?
Jos sulatuskaukalossa on vettä:	<ul style="list-style-type: none">• Tämä on normaalia kuumalla ja kostealla säällä. Astia saattaa olla jopa puolillaan. Varmista, että laite on vaakatasossa, jotta vettä ei valu ulos kaukalosta.
Jos laitekaapin reunat, jotka koskevat ovitiivisteeseen, ovat lämpimiä kosketettaessa:	<ul style="list-style-type: none">• Tämä on normaalia kuumalla säällä ja kun kompressori on käynnissä.
Jos valo ei toimi:	<ul style="list-style-type: none">• Oletko tarkastanut asunnon sähköverkon suojalaitteet ja sulakkeet?• Onko verkkojohto liitetty pistorasiaan, jossa on oikea jännite?• Jos LED-valoissa on vikaa, käyttäjän on otettava yhteyttä huoltoliikkeeseen valojen vaihtoa varten. Tarvittavia LED-valoja on saatavana vain huoltoliikkeistä tai valtuutetuilta jälleenmyyjiltä.
Jos sähkömoottori vaikuttaa käyvän liian paljon:	<ul style="list-style-type: none">• Moottorin käyntiaika riippuu useasta eri tekijästä: oven avauskertojen määrästä, säilytettävien elintarvikkeiden määrästä, huoneen lämpötilasta, lämpötilasäätimillä valitusta lämpötilasta.• Onko lauhdutin (laitteen takana) puhdas pölystä ja nöyhdystä?• Onko ovet suljettu kunnolla?• Ovatko ovitiivisteet kunnossa?• Moottori toimii normaalisti enemmän kuumalla säällä tai hyvin lämpimässä huoneessa.• Jos laitteen ovea on pidetty auki pitkään tai avattu usein, tai jos sisään on pantu paljon ruokaa, moottori käy kauemmin, jotta laitteen sisäosa jäähtyy.
Jos laitteen lämpötila on liian korkea:	<ul style="list-style-type: none">• Onko laitteen säätimet säädetty oikein?• Onko laitteeseen asetettu suuri määrä elintarvikkeita?• Varmista, että ovea ei avata liian usein.• Varmista, että ovi sulkeutuu kunnolla.
Jos ovet eivät aukea ja sulkeudu kunnollisesti:	<ul style="list-style-type: none">• Tarkasta, että elintarvikepakkaukset eivät ole oven tiellä.• Tarkasta, että sisäosat tai jääautomaatti eivät ole pois paikaltaan.• Tarkasta, että ovitiivisteet eivät ole likaiset tai tahmeat.• Varmista, että laite on tasapainossa.

8.2. VIAT

Jos laitteeseen tulee jokin vika ja laitteen merkkivalot alkavat vilkkua, ota yhteyttä huoltoliikkeeseen. Laite pyrkii säilyttämään siinä olevat elintarvikkeet.

Huomaa: Laite palaa sähkökatkon jälkeen normaaliin toimintatilaan ja palauttaa lämpötilan aiemmin valittuun arvoon.

9. HUOLTOPALVELU

Ennen kuin otat yhteyden huoltoon:

Kytke laite uudelleen päälle ja tarkista, korjautuiko ongelma itsestään. Jos näin ei ole, irrota laite sähköverkosta. Odota noin tunti ja kytke se sitten uudelleen päälle.

Jos Vianetsintä-kohdassa kuvattujen tarkistusten jälkeen olet kytkenyt laitteen päälle uudelleen eikä laite vielä toimi kunnollisesti, ota yhteys huoltopalveluun ja selitä ongelma.

Ilmoita:

- laitteen malli ja sarjanumero (ilmoitettu arvokilvessä)
- ongelman laatu

SERVICE 0000 000 00000




- huoltonumero (numero, joka näkyy kilvessä laitteen sisällä sanan SERVICE jälkeen)
- täydellinen osoitteesi
- puhelin- ja suuntanumerosi.

Huomaa:

Oven avausuunta voidaan vaihtaa. Jos tämä toimenpide suoritetaan huoltopalvelun toimesta, takuu ei kata sitä.

INDEX

Chapitre 1 : INSTALLATION	45
1.1. INSTALLATION D'UN SEUL APPAREIL	45
1.2. INSTALLATION DE DEUX APPAREILS	45
1.3. CHARNIÈRES AJUSTABLES (selon le modèle)	45
Chapitre 2 : FONCTIONS	46
2.1. ALARME DE PORTE OUVERTE	46
2.2. REFROIDISSEMENT RAPIDE 	46
2.3. VENTILATEUR*	46
2.4. RÉGLAGE DE LA TEMPÉRATURE	46
2.5. COMPARTIMENT RÉFRIGÉRATEUR « NO-FROST »	46
2.6. ÉCLAIRAGE DU RÉFRIGÉRATEUR	46
Chapitre 3 : UTILISATION	47
3.1. REMARQUES	47
Chapitre 4 : CONSEILS POUR LA CONSERVATION DES ALIMENTS	47
4.1. AÉRATION	47
4.2. COMMENT CONSERVER LES ALIMENTS FRAIS ET LES BOISSONS	47
4.3. OÙ CONSERVER LES ALIMENTS FRAIS ET LES BOISSONS	47
Chapitre 5 : SONS FONCTIONNELS	48
Chapitre 6 : RECOMMANDATION EN CAS DE NON-UTILISATION DE L'APPAREIL	49
6.1. ABSENCE/VACANCES	49
6.2. DÉMÉNAGEMENT	49
6.3. COUPURE DE COURANT	49
Chapitre 7 : NETTOYAGE ET ENTRETIEN	49
Chapitre 8 : GUIDE DE DÉPANNAGE	50
8.1. AVANT DE CONTACTER LE SERVICE APRÈS-VENTE	50
8.2. ANOMALIES	50
Chapitre 9 : SERVICE APRÈS-VENTE	51
Autres :	
INVERSEMENT DU SENS D'OUVERTURE DE LA PORTE	132

REMARQUE :

Ces instructions s'appliquent à plusieurs modèles. Elles peuvent par conséquent différer. Les sections ne concernant que certains modèles sont indiquées par un astérisque (*).

Consultez le **GUIDE DE DÉMARRAGE** pour connaître les fonctions propres au modèle de l'appareil que vous venez d'acquérir.

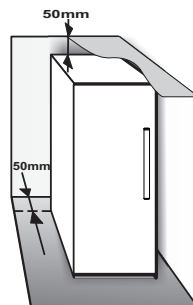
1. INSTALLATION

1.1. INSTALLATION D'UN SEUL APPAREIL

Afin de garantir une aération adéquate, laissez un espace des deux côtés et au-dessus de l'appareil.

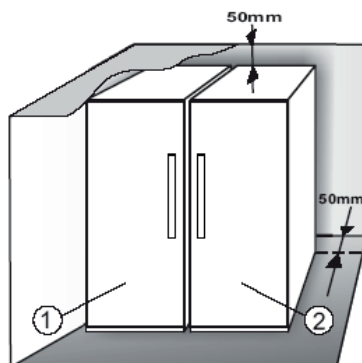
La distance entre l'arrière de l'appareil et le mur derrière l'appareil doit être d'au moins 50 mm.

Une réduction de l'espace recommandé entraîne une augmentation de la consommation d'énergie.

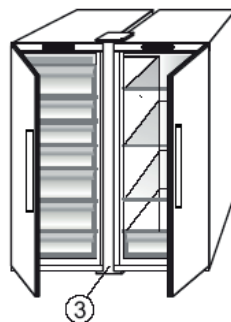


1.2. INSTALLATION DE DEUX APPAREILS

Durant l'installation du congélateur ① et du réfrigérateur ②, assurez-vous que le congélateur est placé à gauche et le réfrigérateur à droite (comme illustré sur l'image). Sur le côté gauche du réfrigérateur se trouve un dispositif spécial permettant d'éviter les problèmes de condensation entre les appareils.



Nous vous recommandons d'installer les deux appareils ensemble à l'aide de la trousse d'attaches ③ (comme illustré sur l'image). Vous pouvez acquérir ce kit auprès du Service Après-Vente.

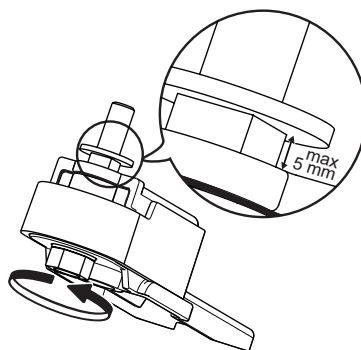


1.3. CHARNIÈRES AJUSTABLES (selon le modèle)

Pour niveler les portes à l'aide d'une charnière inférieure ajustable (sur certains modèles)

Si la porte du réfrigérateur est plus basse que la porte du congélateur, soulevez la porte du réfrigérateur en tournant la vis ajustable dans le sens antihoraire en utilisant une clé M10.

Si la porte du congélateur est plus basse que la porte du réfrigérateur, soulevez la porte du congélateur en tournant la vis ajustable dans le sens antihoraire en utilisant une clé M10.




2. FONCTIONS

2.1. ALARME DE PORTE OUVERTE

L'alarme de porte ouverte se déclenche si la porte reste ouverte pendant plus de 5 minutes. L'alarme est signalée par le voyant de porte à DEL qui clignote. Si la porte reste ouverte plus de 8 minutes, le voyant de porte à DEL s'éteint.

2.2. REFROIDISSEMENT RAPIDE

L'utilisation de cette fonction est recommandée lorsque vous placez une très grande quantité d'aliments dans le compartiment du réfrigérateur.

La fonction Refroidissement rapide  permet d'augmenter la capacité de refroidissement dans le compartiment réfrigérateur. Pour maximiser la capacité de refroidissement, laissez le ventilateur en marche.

2.3. VENTILATEUR*

Le ventilateur assure une diffusion homogène de la température à l'intérieur du produit, garantissant ainsi une meilleure conservation des aliments. Le ventilateur est activé par défaut. Il est conseillé de laisser le ventilateur fonctionner si la température ambiante est supérieurs à 27 - 28°C, ou si vous observez des gouttelettes d'eau sur les tablettes de verre ou lorsque le taux d'humidité est très élevé. Il convient de noter que, même s'il est activé, le ventilateur ne fonctionne pas en continu. Il s'activera ou se désactivera en fonction de la température et/ou du niveau d'humidité à l'intérieur de l'appareil. Par conséquent, il est normal que le ventilateur ne tourne pas même s'il est activé. Pour activer ou désactiver cette fonction, reportez-vous au Guide de démarrage fourni.

Remarque :

Évitez d'obstruer les zones d'arrivée d'air avec des aliments.

Afin d'optimiser la consommation d'énergie et de garantir de bonnes performances de l'appareil, veillez à éteindre le ventilateur lorsque la température ambiante est inférieure à 18 °C.

Si votre appareil est équipé d'un ventilateur, celui-ci peut être doté d'un **filtre antibactérien**.

Sortez le filtre de la boîte située dans le bac à fruits et légumes et introduisez-le dans le couvercle du ventilateur.

Les instructions de remplacement se trouvent dans la boîte du filtre.

2.4. RÉGLAGE DE LA TEMPÉRATURE

L'appareil est normalement réglé en usine pour fonctionner à la température moyenne recommandée. Pour obtenir de plus amples informations sur le réglage de la température, consultez le Guide de démarrage fourni.

Remarque : les points de réglage affichés correspondent à la température moyenne dans tout le réfrigérateur

2.5. COMPARTIMENT RÉFRIGÉRATEUR « NO-FROST »

Le dégivrage du compartiment réfrigérateur est entièrement automatique.

La présence périodique de gouttelettes d'eau sur la paroi arrière du compartiment réfrigérateur indique qu'un dégivrage automatique est en cours. L'eau de dégivrage est automatiquement acheminée jusqu'à un orifice d'évacuation, puis est recueillie dans un récipient avant de s'évaporer.

2.6. ÉCLAIRAGE DU RÉFRIGÉRATEUR

Le système d'éclairage à l'intérieur du compartiment réfrigérateur comporte des ampoules à LED, ce qui permet un meilleur éclairage, ainsi qu'une consommation d'énergie plus faible.

Si le système d'éclairage LED ne fonctionne pas, contactez le Service Après-vente pour le remplacer.

Important :

L'éclairage du compartiment réfrigérateur s'allume à l'ouverture de la porte. Si la porte est laissée ouverte pendant plus de 8 minutes, l'ampoule s'éteint automatiquement.

*Disponible sur certains modèles uniquement. Consultez le GUIDE DE DÉMARRAGE pour savoir si votre modèle est doté de cette fonction.

3. UTILISATION

3.1. REMARQUES

- N'obstruez pas les sorties d'air (sur la paroi arrière, à l'intérieur de l'appareil) avec des aliments.
- Toutes les tablettes, les rabats, et les paniers coulissants sont amovibles.

- La température intérieure de l'appareil est affectée par la température ambiante, la fréquence d'ouverture des portes, et l'endroit où l'appareil est installé. Le réglage de la température doit toujours prendre ces facteurs en compte.
- À moins d'indication contraire, les accessoires de l'appareil ne peuvent pas être lavés au lave-vaisselle.

4. CONSEILS POUR LA CONSERVATION DES ALIMENTS

Le réfrigérateur constitue le lieu de stockage idéal pour les plats préparés, les aliments frais et en conserve, les produits laitiers, les fruits et légumes et les boissons.

4.1. AÉRATION

- La circulation naturelle de l'air dans le compartiment réfrigérateur produit des zones avec des températures différentes. La zone la plus froide se trouve juste au-dessus du bac à fruits et légumes et au niveau de la paroi arrière. La zone la plus chaude se trouve au niveau supérieur avant du compartiment.
- Une mauvaise aération conduit à une augmentation de la consommation d'énergie et une réduction des performances du réfrigération.

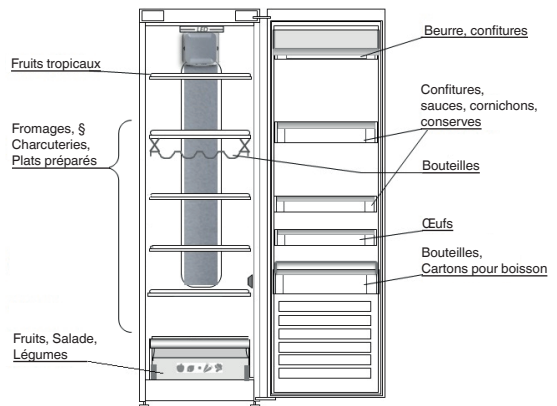
4.2. COMMENT CONSERVER LES ALIMENTS FRAIS ET LES BOISSONS

- Utilisez des récipients recyclables en plastique, en métal, en aluminium, ou en verre, ou une pellicule autocollante pour envelopper les aliments.
- Utilisez toujours des récipients fermés pour les liquides et les aliments qui dégagent ou absorbent des odeurs ou des saveurs, ou recouvrez-les.
- Les aliments qui laissent échapper une grande quantité de gaz éthylène, et ceux qui sont sensibles à ce gaz, comme les fruits, les légumes, et la salade, doivent toujours être séparés ou enveloppés de façon à ne pas réduire la durée de conservation ; par exemple, n'entrez pas les tomates avec les kiwis ou les choux.
- Ne placez pas les aliments trop près les uns des autres afin de permettre une bonne circulation d'air.
- Pour éviter que les bouteilles ne tombent, vous pouvez utiliser le porte-bouteilles (disponible sur certains modèles).
- Si vous avez une petite quantité de nourriture à conserver dans le réfrigérateur, nous vous conseillons d'utiliser les tablettes situées au-dessus du bac à fruits et légumes ; cette zone est la plus froide du compartiment.

4.3. OÙ CONSERVER LES ALIMENTS FRAIS ET LES BOISSONS

- Sur les tablettes du réfrigérateur : plats préparés, fruits tropicaux, fromages, charcuterie.
- Dans le bac à fruits et légumes : fruits, salade, légumes.
- Dans la porte : beurre, confitures, sauces, cornichons, conserves, bouteilles, boissons en brique, œufs

EXEMPLE DE DISPOSITION DES ALIMENTS



5. SONS FONCTIONNELS

Les bruits provenant de votre appareil sont tout à fait normaux. Votre appareil est en effet doté de ventilateurs et de moteurs qui contrôlent automatiquement la mise sous et hors tension.

Pour réduire certains bruits de fonctionnement, vous pouvez

- Nivelez l'appareil et installez-le sur une surface plane.
- Éviter le contact entre l'appareil et les meubles adjacents.
- Assurez-vous que les accessoires internes sont correctement installés.
- Assurez-vous que les bouteilles et les récipients ne s'entrechoquent pas.

Votre appareil peut émettre les bruits de fonctionnement suivants :

Un sifflement la première fois que vous mettez l'appareil en marche ou après une interruption de fonctionnement prolongée.



Un gargouillement quand le fluide réfrigérant s'écoule dans les tuyaux.



Un grondement qui correspond au fonctionnement du compresseur.



Un bourdonnement lorsque le robinet d'eau ou le ventilateur se met en marche.



Un craquement au démarrage du compresseur ou lorsque la glace s'apprête à tomber dans le bac à glaçons, et un clic soudain lorsque le compresseur démarre ou arrête.



Le CLIC vient du thermostat qui ajuste la fréquence de fonctionnement du compresseur.



6. RECOMMANDATION EN CAS DE NON-UTILISATION DE L'APPAREIL

6.1. ABSENCE/VACANCES

Si vous partez en vacances, nous vous recommandons de consommer les aliments stockés et de débrancher l'appareil pour économiser de l'énergie.

6.2. DÉMÉNAGEMENT

1. Retirez les pièces internes.
2. Emballez-les soigneusement et fixez-les entre elles avec du ruban adhésif afin de ne pas les perdre et d'éviter qu'elles ne s'entrechoquent.
3. Vissez les pieds réglables de façon à ce qu'ils ne touchent pas la surface de support.
4. Fermez et fixez la porte avec du ruban adhésif et fixez le câble d'alimentation à l'appareil, également avec du ruban adhésif.

6.3. COUPURE DE COURANT

Dans le cas d'une coupure de courant, contactez votre compagnie électrique pour savoir combien de temps va durer la panne.

Remarque : A noter qu'un appareil plein restera froid plus longtemps qu'un appareil à moitié plein.

Si les aliments se sont décongelés, il est préférable de les jeter.

Coupures de courant allant jusqu'à 24 heures.

1. Maintenez la porte de l'appareil fermée. Cela permettra de garder au froid les aliments stockés le plus longtemps possible.

Coupures de courant supérieures à 24 heures.

1. Essayez de consommer en premier les denrées périssables.

7. NETTOYAGE ET ENTRETIEN

Avant d'effectuer les opérations d'entretien ou de nettoyage, débranchez l'appareil de la fiche d'alimentation secteur ou coupez l'alimentation électrique.

Nettoyez régulièrement l'appareil avec un chiffon et une solution d'eau tiède et de détergent neutre spécifique au nettoyage des parois internes du réfrigérateur. N'utilisez jamais d'agents abrasifs. Ne nettoyez jamais les accessoires du réfrigérateur avec des liquides inflammables. Les émanations peuvent provoquer un incendie ou une explosion. Nettoyez les parois externes de l'appareil et le joint de porte avec un chiffon humide et séchez-les avec un chiffon doux.

N'utilisez pas de nettoyeur à vapeur.

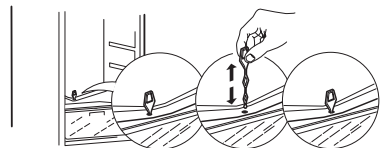
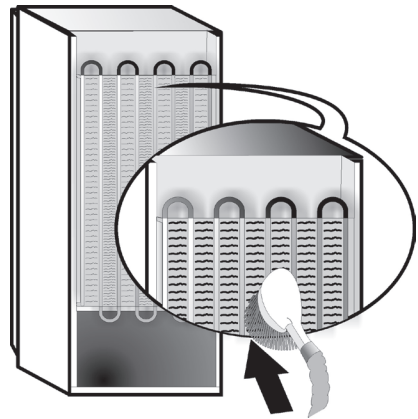
Le condensateur situé à l'arrière de l'appareil doit être nettoyé régulièrement avec un aspirateur.

Le condensateur situé à l'arrière de l'appareil doit être nettoyé régulièrement avec un aspirateur.

Important :

- Les touches et l'écran du panneau de commande doivent être nettoyées avec un chiffon sec ; n'utilisez pas d'alcool ou des substances dérivées de l'alcool.
- Les tuyaux du circuit de réfrigération sont situés près du bac de dégivrage et peuvent être chaud au touché. Nettoyez-les régulièrement avec un aspirateur.

Pour assurer une évacuation constante et correcte de l'eau de dégivrage, nettoyez régulièrement l'intérieur de l'orifice d'évacuation situé sur la paroi arrière du compartiment réfrigérateur, à proximité du bac à fruits et légumes, à l'aide de l'outil fourni avec l'appareil.



8. GUIDE DE DÉPANNAGE

8.1. AVANT DE CONTACTER LE SERVICE APRÈS-VENTE...

Certains dysfonctionnements sont souvent dus à des problèmes mineurs que vous pouvez identifier et résoudre vous-même sans aucun outil.

PROBLÈME	SOLUTION
L'appareil ne fonctionne pas :	<ul style="list-style-type: none">• Le réfrigérateur est-il branché à une prise qui fonctionne avec la bonne tension ?• Avez-vous vérifié les dispositifs de protection et fusibles du système électrique de votre maison ?
Si le bac de dégivrage contient de l'eau :	<ul style="list-style-type: none">• Cela est normal par temps chaud et humide. Il est même possible que le bac soit à moitié plein. Vérifiez que l'appareil est de niveau de façon à ce que l'eau ne déborde pas.
Si les bords de l'appareil qui sont en contact avec le joint de porte sont chauds au toucher :	<ul style="list-style-type: none">• Cela est normal par temps chaud et lorsque le compresseur fonctionne.
Si l'éclairage intérieur ne fonctionne pas :	<ul style="list-style-type: none">• Avez-vous vérifié les dispositifs de protection et les fusibles de l'alimentation électrique de la maison ?• Le réfrigérateur est-il branché à une prise qui fonctionne avec la bonne tension ?• Si les DEL sont brisés, l'utilisateur doit appeler le Service Après-vente pour l'échanger avec un DEL du même type, disponible uniquement auprès de nos centres de Services Après-vente ou détaillants autorisés.
Si le moteur semble tourner en sursrégime :	<ul style="list-style-type: none">• La durée de fonctionnement du moteur dépend de plusieurs facteurs : fréquence d'ouverture de la porte, quantité d'aliments stockés, température de la pièce, réglages de température.• Y a-t-il de la poussière ou des peluches sur le condenseur (arrière de l'appareil)?• La porte est-elle bien fermée ?• Les joints de la porte sont-ils bien étanches ?• Par temps chaud ou dans une pièce chaude, le moteur fonctionne naturellement plus longtemps.• Si la porte est restée longtemps ouverte ou si vous avez inséré une grande quantité d'aliments dans l'appareil, le moteur fonctionnera plus longtemps afin de refroidir l'intérieur du compartiment.
Si la température de l'appareil est trop élevée :	<ul style="list-style-type: none">• Le réfrigérateur est-il bien réglé ?• Une grande quantité d'aliments a-t-elle été insérée dans le réfrigérateur ou le congélateur ?• Assurez-vous que la porte n'est pas ouverte trop souvent.• Assurez-vous que la porte se ferme correctement.
Si les portes ne s'ouvrent et ne se ferment pas correctement :	<ul style="list-style-type: none">• Assurez-vous que les emballages de nourritures ne bloquent pas la porte.• Assurez-vous que les pièces internes ou la machine à glaçons automatique sont bien en place.• Assurez-vous que les joints de la porte ne sont pas sales ou collants.• Assurez-vous que l'appareil est au niveau.

8.2. ANOMALIES

Si l'un des voyants à LED clignote et indique une anomalie, veuillez contacter le Service Après-Vente. L'appareil continuera de fonctionner afin de conserver les aliments stockés.

Remarque : dans le cas d'une coupure de courant, le mode de fonctionnement normal et le point de température préalablement sélectionné sont rétablis.

9. SERVICE APRÈS-VENTE

Avant de contacter le Service après-vente :

Remettez l'appareil en marche pour vous assurer que l'inconvénient a été éliminé. Si ce n'est pas le cas, débranchez l'appareil de l'alimentation électrique et patientez environ une heure avant de le rallumer.

Si, après avoir procédé aux vérifications décrites dans le Guide de dépannage et après avoir remis l'appareil sous tension, ce dernier ne fonctionne toujours pas correctement, contactez le Service Après-Vente pour expliquer le problème.

Précisez :

- le modèle et le numéro de série de l'appareil (figurant sur la plaque signalétique),
- le type de panne ,

SERVICE 0000 000 00000




- le numéro de série (numéro qui se trouve après le mot **SERVICE** sur la plaque signalétique placée à l'intérieur de l'appareil),
- votre adresse complète,
- votre numéro de téléphone avec l'indicatif régional.

Remarque :

Le sens d'ouverture des portes peut être modifié. Si cette opération est effectuée par le Service Après-Vente, elle n'est pas couverte par la garantie.

TARTALOMJEGYZÉK

1. fejezet: ÜZEMBE HELYEZÉS	53
1.1. EGYETLEN KÉSZÜLÉK ÜZEMBE HELYEZÉSE	53
1.2. KÉT KÉSZÜLÉK ÜZEMBE HELYEZÉSE	53
1.3. AZ AJTÓK BEÁLLÍTÁSA (ha lehetséges).....	53
2. fejezet: FUNKCIÓK.....	54
2.1. NYITOTT AJTÓRA FIGYELMEZTETŐ JELZÉS.....	54
2.2. GYORSHÚTÉS 	54
2.3. VENTILÁTOR*.....	54
2.4. A HŐMÉRSÉKLET BEÁLLÍTÁSA	54
2.5. JEGESEDESMENTES HÚTÓTÉR.....	54
2.6. BELSŐ VILÁGÍTÁS	54
3. fejezet: A KÉSZÜLÉK HASZNÁLATA	55
3.1. MEGJEGYZÉSEK	55
4. fejezet: ÉLELMISZER-TÁROLÁSI TANÁCSOK	55
4.1. SZELLŐZÉS.....	55
4.2. A FRISS ÉLELMISZEREK ÉS ITALOK TÁROLÁSA.....	55
4.3. HOL TÁROLJUK A FRISS ÉLELMISZEREKET ÉS ITALOKAT?	55
5. fejezet: MŰKÖDÉSI ZAJOK	56
6. fejezet: JAVASLATOK ARRRA AZ ESETRE, HA NEM HASZNÁLJA A KÉSZÜLÉKET.57	
6.1. TÁVOLLÉT/NYARALÁS.....	57
6.2. KÖLTÖZÉS.....	57
6.3. ÁRAMKIMARADÁS	57
7. fejezet: KARBANTARTÁS ÉS TISZTÍTÁS	57
8. fejezet: HIBAELHÁRÍTÁSI ÚTMUTATÓ.....	58
8.1. MIELŐTT A VEVŐSZOLGÁLATOT HÍVNÁ.....	58
8.2. HIBÁK	58
9. fejezet: VEVŐSZOLGÁLAT.....	59
Egyebek:	
AZ AJTÓNYITÁS IRÁNYÁNAK MEGFORDÍTÁSA.....	132

MEGJEGYZÉS:

Az utasítások többféle készüléktípusra vonatkoznak, ezért előfordulhatnak eltérések. Azok a szakaszok, amelyek csak bizonyos készülékekre érvényesek, csillaggal (*) vannak megjelölve. Az Ön által megvásárolt készüléktípus funkcióinak leírása megtalálható a RÖVID ÜZEMBE HELYEZÉSI ÚTMUTATÓBAN.

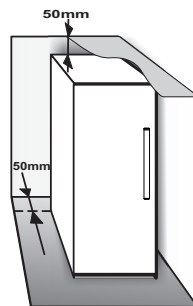
1. ÜZEMBE HELYEZÉS

1.1. EGYETLEN KÉSZÜLÉK ÜZEMBE HELYEZÉSE

A megfelelő szellőzés érdekében hagyjon üres helyet a készülék két oldalánál, illetve a készülék felett.

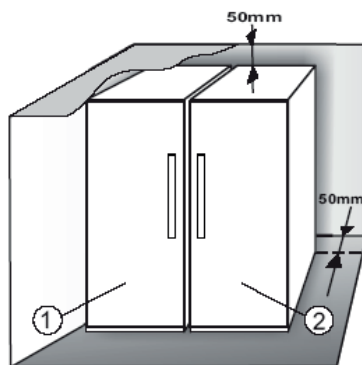
A készülék hátoldala és a készülék mögötti fal között legalább 50 mm távolságnak kell lennie.

Ennél kisebb távolság esetén nő a készülék energiafogyasztása.



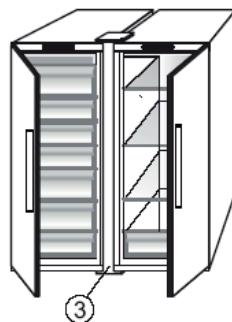
1.2. KÉT KÉSZÜLÉK ÜZEMBE HELYEZÉSE

A fagyasztó ① és a hűtőszekrény ② együttes üzembe helyezésekor gondoskodjon arról, hogy a fagyasztó a bal oldalra, a hűtőszekrény pedig a jobb oldalra kerüljön (lásd az ábrán). A hűtőszekrény bal oldalán egy speciális eszköz található, amely megakadályozza, hogy páralecsapódás következzen be a készülékek között.



Azt javasoljuk, hogy ha a két készüléket összeállítva helyezi üzembe, használja az összekapcsoló készletet ③ (lásd az ábrán).

A kapcsolókészletet a vevőszolgálatnál szerezheti be.

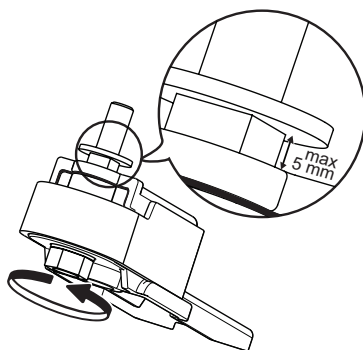


1.3. AZ AJTÓK BEÁLLÍTÁSA (ha lehetséges)

Az ajtók vízszintezése az állítható alsó zsanér segítségével (egyres modelleknél)

Ha a hűtőszekrény ajtaja lejjebb van, mint a fagyasztó ajtaja, emelje meg a fagyasztó ajtaját úgy, hogy egy M10-es csavarkulccsal az óramutató járásával ellenkező irányba forgatja a beállítócsavart.

Ha a fagyasztó ajtaja lejjebb van, mint a hűtő ajtaja, emelje meg a hűtő ajtaját úgy, hogy egy M10-es csavarkulccsal az óramutató járásával ellenkező irányba forgatja a beállítócsavart.




2. FUNKCIÓK

2.1. NYITOTT AJTÓRA FIGYELMEZTETŐ JELZÉS

Az „Ajtó nyitva” figyelmeztetés akkor kapcsol be, ha az ajtó 5 percnél tovább marad nyitva. A figyelmeztetést az ajtó LED-jelzőfényének villogása jelzi. Ha az ajtót több mint 8 percig nyitva hagyja, az ajtó LED-jelzőfénye kikapcsol.

2.2. GYORSHÜTÉS

Ennek a funkciónak a használata akkor ajánlott, amikor nagyon nagy mennyiségű élelmiszert helyez be a hűtőtérbe.

A Gyorsműtés  funkció segítségével igény szerint növelheti a hűtési kapacitást a hűtőtérben. A hűtési kapacitás maximalizálása érdekében hagyja bekapcsolva a ventilátort.

2.3. VENTILÁTOR*

A ventilátor segítségével egyenletesebb hőmérséklet biztosítható a készülékben, így hatékonyabban tárolhatók az élelmiszerek. Alapértelmezés szerint a ventilátor be van kapcsolva. Akkor ajánlatos bekapcsolva hagyni a ventilátort, ha a környezeti hőmérséklet 27-28 °C fölé emelkedik, vagy ha az üvegpolicokon vízcseppek jelennek meg, illetve, ha az nagyon megnő a levegő páratartalma. Kérjük, ne feledje, hogy amikor a ventilátor be van kapcsolva, nem fog folyamatosan működni. A ventilátor a hűtőszekrény belsejében lévő hőmérséklettől és/vagy páratartalomtól függően kezdi meg/hagyja abba a működést. Ezért teljesen normális jelenség, ha a ventilátor éppen nem jár, annak ellenére, hogy be van kapcsolva.

A funkció be- és kikapcsolására vonatkozó tudnivalókat a mellékelt Rövid üzembe helyezési útmutatóban találja.

Megjegyzés:

Ne takarja el élelmiszerekkel a levegőbemenetet.

Ha alacsonyabb (18 °C-nál hidegebb) környezeti hőmérséklet esetén is optimális teljesítményt szeretne elérni, és minimális szintre szeretné csökkenteni az energiafogyasztást, kapcsolja ki a ventilátort.

Ha a készülék rendelkezik ventilátorral, a ventilátort **antibakteriális szűrővel** is fel lehet szerelni.

Vegye ki a szűrőt a frissen tartó fiókban található dobozból, és helyezze a ventilátor burkolatába.

A csere menetének leírása a szűrődobozban található.

2.4. A HŐMÉRSÉKLET BEÁLLÍTÁSA

A készülék gyárilag az ajánlott közepes hőmérsékletre van beállítva.

A hőmérséklet beállítására vonatkozó részletes tudnivalókat a Rövid üzembe helyezési útmutatóban találja.

Megjegyzés: A kijelzett értékek a hűtőszekrény egészére jellemző átlaghőmérsékletet jelölik.

2.5. JEGESEDÉSMENTES HŰTŐTÉR

A hűtőtér leolvasztása teljesen automatikus.

Ha vízcseppek jelennek meg a hűtőtér belsejében a hátlapon, ez azt jelzi, hogy az automatikus leolvasztási fázis folyamatban van. A leolvasztott víz automatikusan egy leeresztő nyílásba folyik, és összegyűlik egy edényben, amelyből azután elpárolog.

2.6. BELSŐ VILÁGÍTÁS

A hűtőtérben lévő világítórendszer LED-világítást használ, ami jobb megvilágítást és rendkívül alacsony energiafogyasztást eredményez.

Ha a LED-világítás nem működik, a csere érdekében vegye fel a kapcsolatot a vevőszolgálattal.

Fontos:

A hűtőtér belső világítása akkor kapcsol be, ha a hűtő ajtaját kinyitja. Ha az ajtó 8 percnél hosszabb ideig marad nyitva, a világítás automatikusan kikapcsol.

*Csak egyes készüléktípusoknál elérhető. A RÖVID ÜZEMBE HELYZÉSI ÚTMUTATÓBAN megnézheti, hogy ez a funkció az Ön által megvásárolt készüléktípuson rendelkezésre áll-e.

3. A KÉSZÜLÉK HASZNÁLATA

3.1. MEGJEGYZÉSEK

- Ne zárja el a készülék belsejében a hátsó falon lévő levegőkimeneti területet élelmiszerekkel.
- Az összes polc, eszköztartó elem és kihúzható kosár eltávolítható.

- A készülék belső hőmérsékletét a környezeti hőmérséklet, az ajtónyitások gyakorisága, valamint a készülék elhelyezkedése befolyásolhatja. A hőmérséklet beállításánál ezeket a tényezőket figyelembe kell venni.
- Eltérő jelölés hiányában a készülék tartozékai mosogatógépben nem moshatók.

4. ÉLELMISZER-TÁROLÁSI TANÁCSOK

A hűtőszekrény készételek, friss és tartósított élelmiszerek, tejtermékek, gyümölcsök, zöldségek és italok tárolására szolgál.

4.1. SZELLŐZÉS

- A hűtőtérben a levegő természetes áramlása különböző hőmérsékletű zónákat eredményez. A hőmérséklet közvetlenül a gyümölcsös és zöldséges rekesz felett, illetve a készülék hátlapjánál a legalacsonyabb. A hőmérséklet a hűtőtér elülső felső részén a legmagasabb.
- Ha a szellőzés nem megfelelő, az energiafogyasztás nő, a hűtési teljesítmény pedig csökken.

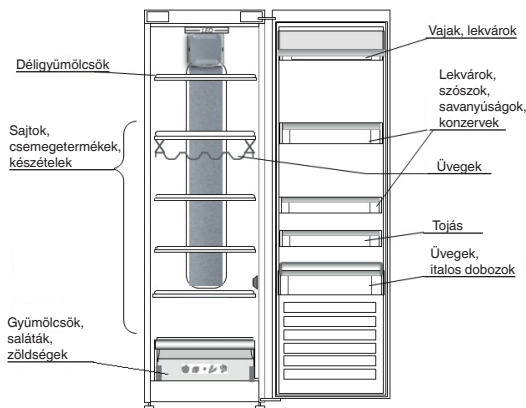
4.2. A FRISS ÉLELMISZEREK ÉS ITALOK TÁROLÁSA

- Az ételek csomagolásához használjon újrahasznosítható műanyagból, fémből, alumíniumból és üvegből készült tárolóedényeket és frissen tartó fóliát.
- Mindig zárt tárolóedényeket használjon azokhoz a folyadékokhoz és élelmiszerekhez, amelyek erőteljes szagokat vagy ízeket bocsátanak ki és átvehetik egymás szagát, vagy fedje be őket.
- A nagy mennyiségű etilént kibocsátó és az erre érzékeny élelmiszereket (pl. gyümölcsök, zöldségek, saláta) egymástól elkülönítve vagy becsomagolva kell tárolni eltarthatóságuk megőrzése érdekében; például ne tároljon együtt paradicsomot kivével vagy fejes káposztával.
- Ne tegye túl közel egymáshoz az élelmiszereket, hogy a levegő megfelelően tudjon áramlani.
- Az üvegek felborulásának megelőzése érdekében használjon palacktartót (bizonyos modellek tartozéka).
- Ha a hűtőtérben kis mennyiségű élelmiszert szeretne tárolni, azt javasoljuk, hogy a gyümölcsös és zöldséges fiók feletti polcokat használja, mivel a hűtőtérnek ez a leghidegebb része.

4.3. HOL TÁROLJUK A FRISS ÉLELMISZEREKET ÉS ITALOKAT?

- A hűtőszekrény polcain: készételek, déligyümölcsök, sajtok, csemegeáruk.
- A gyümölcsös és zöldséges fiókban: gyümölcsök, saláták, zöldségek.
- Az ajtóban: vaj, lekvár, szósok, savanyúságok, konzervek, üvegek, italos dobozok, tojás.

PÉLDA AZ ÉLELMISZEREK ELRENDEZÉSÉRE



5. MŰKÖDÉSI ZAJOK

A készülék által kiadott zajok hozzátartoznak a normál működéshez, mivel a berendezés a teljesítményszabályozás érdekében számos ventilátorral és motorral rendelkezik, amelyek automatikusan be- és kikapcsolnak.

Ennek ellenére a működés közben hallható zajok egy részét csökkentheti, ha:

- a készüléket vízszintes, egyenletes felületen helyezi üzembe;
- elegendő szabad helyet hagy a készülék és a bútorok között;
- ellenőrzi, hogy a belső tartozékok a helyükön vannak-e;
- ellenőrzi, hogy az üvegek és tárolóedények nem érintkeznek-e egymással.

A készülék működése közben a következő zajokat lehet hallani:

Sípoló hang, amikor első alkalommal vagy hosszú idő után kapcsolja be a készüléket.



Csörgedező hang, amikor a hűtőfolyadék befolyik a csövekbe.



Zúgó hang, amikor a kompresszor működik.



Bűgő hang, amikor a vízszelep vagy a ventilátor aktiválódik.



Recsegő hang, amikor a kompresszor elindul, vagy a kész jég beleesik a jégtartóba, illetve hirtelen kattogás, amikor a kompresszor be- és kikapcsol.



Kattanó hang, amikor a termosztát beállítja, milyen gyakran kapcsoljon be a kompresszor.



6. JAVASLATOK ARRRA AZ ESETRE, HA NEM HASZNÁLJA A KÉSZÜLÉKET

6.1. TÁVOLLÉT/NYARALÁS

Ha nyaralni megy, azt javasoljuk, hogy használja fel az élelmiszert, és energiatakarékosági okokból kapcsolja le a készüléket az elektromos hálózatról.

6.2. KÖLTÖZÉS

1. Vegye ki az összes belső alkatrészt.
2. Csomagolja be és rögzítse egymáshoz őket ragasztószalaggal úgy, hogy ne ütdjenek egymáshoz, és ne vesszenek el.
3. Csavarja vissza az állítható lábakat, hogy ne érjenek hozzá a támasztófelülethez.
4. Zárja be az ajtót és rögzítse ragasztószalaggal, majd rögzítse a csatlakozókábelt a készülékhez szintén ragasztószalaggal.

6.3. ÁRAMKIMARADÁS

Áramkimaradás esetén hívja fel az áramszolgáltató ügyfélszolgálatát, és kérdezze meg, milyen hosszú ideig fog tartani az áramszünet.

Megjegyzés: Ne feledje, hogy a teljesen telepakolt készülék hosszabb ideig tartja a hideget, mint a csak részben feltöltött.

Ha az élelmiszer rossz állapotban van, a legbiztosabb, ha kidobja.

24 óránál rövidebb áramkimaradás esetén

1. Tartsa zárva a készülék ajtaját. Ezáltal a készülékben lévő élelmiszerek a lehető leghosszabb ideig hidegen maradnak.

24 óránál hosszabb áramkimaradás esetén

1. Próbálja meg felhasználni a könnyebben romló élelmiszereket.

7. KARBANTARTÁS ÉS TISZTÍTÁS

A tisztítási vagy karbantartási műveletek megkezdése előtt húzza ki a készülék tápkábelét a csatlakozóaljzatból, vagy szüntesse meg a tápellátást.

Rendszeresen tisztítsa meg a készüléket egy kifejezetten hűtőszekrénybelsőket tisztítására szolgáló semleges tisztítószerez, langyos vizes oldatba mártott törülköendővel. Soha ne használjon súrolószereket. Soha ne tisztítsa a hűtőszekrény alkatrészeit gyúlékony folyadékkal. A felszabaduló gőzök tüzet vagy robbanást okozhatnak. A készülék külső felületét és az ajtó tömítését nedves ruhadarabbal tisztítsa, majd egy puha ruhadarabbal törölje szárazra.

Ne használjon gőzzel tisztító berendezéseket.

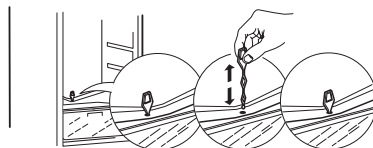
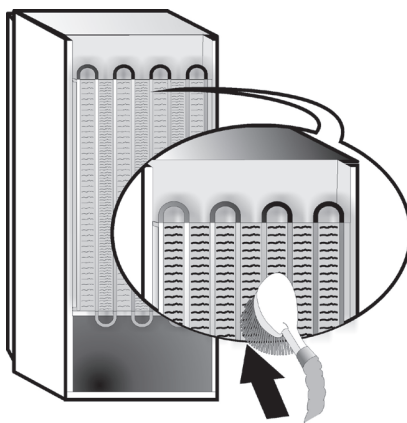
A készülék hátoldalán lévő kondenzátort rendszeresen meg kell tisztítani egy porszívóval.

A készülék hátoldalán lévő kondenzátort rendszeresen meg kell tisztítani egy porszívóval.

Fontos:

- A gombok és a kezelőpanel kijelzője nem tisztítható alkohollal vagy alkoholszármazékokkal; kizárólag száraz törülköendővel használjon.
- A hűtőrendszer csövei a leolvasztótálca mellett helyezkednek el, és felforrósodhatnak. Időnként tisztítsa meg ezeket porszívóval.

A leolvasztott víz folyamatos és megfelelő elvezetésének biztosítása érdekében rendszeresen tisztítsa ki a hűtőszekrény hátsó részén a zöldség- és gyümölcsfiók mellett található leeresztőnyílást a készülékhez mellékelt eszközzel.



8. HIBAELHÁRÍTÁSI ÚTMUTATÓ

8.1. MIELŐTT A VEVŐSZOLGÁLATOT HÍVNA...

A teljesítménnyel kapcsolatos problémák gyakran olyan, apró dolgokból adódnak, amelyeket mindenféle szerszám nélkül Ön is ki tud küszöbölni.

PROBLÉMA	MEGOLDÁS
A készülék nem működik:	<ul style="list-style-type: none">• A hálózati kábel megfelelő feszültségű konnektorba van csatlakoztatva?• Ellenőrizte a lakás elektromos rendszerének védelmi berendezéseit és biztosítékait?
Ha a leolvasztótálcában víz van:	<ul style="list-style-type: none">• Ez meleg, párás időben normális jelenség. A tálca akár félig is tele lehet. Győződjön meg arról, hogy a készülék vízszintesen áll, nehogy a víz kifolyjon.
Ha a készülék ajtótömítéssel érintkező szélei érintéskor melegek:	<ul style="list-style-type: none">• Meleg időben és a kompresszor működése esetén ez normális jelenség.
Ha a világítás nem működik:	<ul style="list-style-type: none">• Ellenőrizte a lakás elektromos rendszerének védelmi berendezéseit és biztosítékait?• A hálózati kábel megfelelő feszültségű konnektorba van csatlakoztatva?• Ha a LED-ek kiégtek, vegye fel a kapcsolatot a vevőszolgálattal az azonos típusú izzóra történő csere érdekében, amely kizárólag a vevőszolgáltatnál vagy a hivatalos forgalmazóknál szerezhető be.
Ha a motor túl sokáig működik:	<ul style="list-style-type: none">• A motor működési ideje az alábbiaktól függ: az ajtónyitások száma, a tárolt élelmiszer mennyisége, a helyiség hőmérséklete, a hőmérséklet-szabályozók beállítása.• A kondenzátor (a készülék hátoldalán) por- és szőszmentes?• Megfelelően van becsukva az ajtó?• Az ajtótömítések megfelelően vannak rögzítve?• Forró napokon vagy ha a helyiségben meleg van, a motor természetesen hosszabb ideig működik.• Ha a készülék ajtaja egy ideig nyitva volt, vagy nagyobb mennyiségű élelmiszert helyezett a készülékbe, a motor hosszabb ideig működik annak érdekében, hogy a készülék belsejét lehűtse.
Ha a készülék hőmérséklete túl magas:	<ul style="list-style-type: none">• A készülék kezelőszervei megfelelően vannak beállítva?• Egyszerre nagy mennyiségű élelmiszert pakolt a készülékbe?• Figyeljen rá, hogy ne nyissa ki túl gyakran az ajtót.• Ellenőrizze, hogy az ajtó megfelelően zár-e.
Ha az ajtók nyitása és zárása nem megfelelő:	<ul style="list-style-type: none">• Ellenőrizze, hogy az élelmiszer nem akadályozza-e az ajtó csukását.• Ellenőrizze, hogy az automatikus jégkészítő és a belső tartozékok a helyükön vannak-e.• Ellenőrizze, hogy az ajtótömítésen nincs-e piszok vagy ragadós anyag.• Győződjön meg arról, hogy a készülék vízszintesen áll.

8.2. HIBÁK

Amennyiben hiba merül fel, és valamelyik LED-jelzőfény villogni kezd, hívjon szerelőt. A készülék ekkor tovább működik, és megőrzi a tárolt élelmiszerek minőségét.

Megjegyzés: Áramkimaradás után a készülék visszaáll normál működésre, és a korábban beállított hőmérséklet is visszaáll.

9. VEVŐSZOLGÁLAT

Mielőtt a vevőszolgálathoz fordul:

Kapcsolja be újra a készüléket, és ellenőrizze, hogy a probléma továbbra is fennáll-e. Ha igen, húzza ki a konnektorból a hálózati csatlakozót, és várjon kb. egy órát, mielőtt ismét bekapcsolja a készüléket.

Ha a hibakeresési útmutatóban lévő ellenőrzések elvégzése és a készülék bekapcsolása után a készülék továbbra sem működik megfelelően, vegye fel a kapcsolatot a vevőszolgálattal, és mondja el nekik a problémát.

Adja meg az alábbiakat:

- a készülék típusát és sorozatszámát (lásd az adattáblán),
- a probléma természetét,

SERVICE 0000 000 00000



- a szervizszámot (a szám a készülék belsejében lévő adattáblán található a SERVICE felirat után),
- az Ön teljes címét,
- az Ön telefonszámát (a körzetszámmal együtt).

Megjegyzés:

Az ajtónyitás iránya módosítható. Ha ezt a műveletet a vevőszolgálat végzi, a munkára nem terjed ki a garancia.

ИНДЕКС

1-ТАРАУ: ОРНАТУ	61
1.1. БІР ҚҰРЫЛҒЫНЫ ОРНАТУ	61
1.2. ЕКІ ҚҰРЫЛҒЫНЫ ОРНАТУ	61
1.3. ЕСІКТЕРДІ РЕТТЕУ (ереп болса)	61
2-ТАРАУ: ФУНКЦИЯЛАР	62
2.1. АШЫҚ ЕСІК ДАБЫЛЫ	62
2.2. ТЕЗ СУЫТУ	62
2.3. ЖЕЛДЕТКІШ*	62
2.4. ТЕМПЕРАТУРА ПАРАМЕТРІ	62
2.5. NO-FROST (ҚЫРАУ ТҰРМАЙТЫН) ТОҢАЗЫТҚЫШ БӨЛІМІ	62
2.6. ТОҢАЗЫТҚЫШ ШАМЫ	62
3-ТАРАУ: ПАЙДАЛАНУ	63
3.1. ЕСКЕРТПЕЛЕР	63
4-ТАРАУ: ТАҒАМДЫ САҚТАУ КЕҢЕСТЕРІ	63
4.1. АУА ЖЕЛДЕТКІШІ	63
4.2. ЖАС ТАҒАМ МЕН СУСЫНДАРДЫ САҚТАУ	63
4.3. ЖАС ТАҒАМ МЕН СУСЫНДАРДЫ САҚТАЙТЫН ОРЫН	63
5-ТАРАУ: ФУНКЦИОНАЛДЫҚ ДЫБЫСТАР	64
6-ТАРАУ: ҚҰРЫЛҒЫНЫ ПАЙДАЛАНБАУ ЖАҒДАЙЫНДАҒЫ ҰСЫНЫС	65
6.1. УАҚЫТША БОЛМАУ / ДЕМАЛЫС	65
6.2. КӨШІП-ҚОНУ	65
6.3. ЭЛЕКТР ҚУАТЫНЫҢ ҮЗІЛУІ	65
7-ТАРАУ: ҚҰРЫЛҒЫҒА ТЕХНИКАЛЫҚ ҚЫЗМЕТ КӨРСЕТУ ЖӘНЕ ТАЗАЛАУ	65
8-ТАРАУ: АҚАУЛЫҚТАРДЫ ЖОЮ НҰСҚАУЛЫҒЫ	66
8.1. КЕПІЛДІ ҚЫЗМЕТ КӨРСЕТУ ОРТАЛЫҒЫНА ХАБАРЛАСПАС БҰРЫН	66
8.2. АҚАУЛЫҚТАР	66
9-ТАРАУ: КЕПІЛДІК БОЙЫНША ҚЫЗМЕТ КӨРСЕТУ	67
Басқалар:	
ЕСІКТИҢ АШЫЛУ БАҒЫТЫН АУЫСТЫРУ	132

ЕСКЕРТПЕ:

Бұл нұсқаулар бірнеше үлгілер үшін қолданылады, сондықтан онда өзгешеліктер болуы мүмкін. Белгілі бір құрылғыларға ғана қатысты қолданылатын бөлімдер жұлдызшамен (*) көрсетіледі.

Жаңа сатып алынған құрылғы үлгіңізге арналған функцияларды ҚЫСҚАША ІСКЕ ҚОСУ НҰСҚАУЛЫҒЫНАН табуға болады.

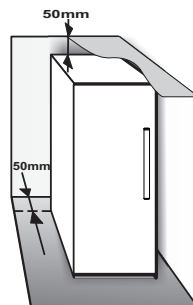
1. ОРНАТУ

1.1. БІР ҚҰРЫЛҒЫНЫ ОРНАТУ

Құрылғының жеткілікті желдетілуін қамтамасыз ету үшін, оның екі жағынан және үстінен орын қалдырыңыз.

Құрылғының артқы жағы мен құрылғы артындағы қабырғаның арасындағы қашықтық 50 мм болуы тиіс.

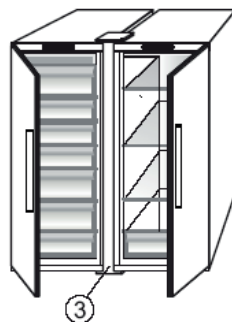
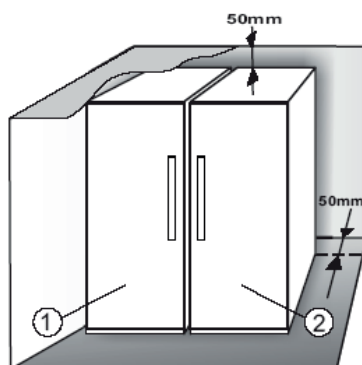
Осы бос орынды азайту өнімнің қуат тұтынуын күшейтеді.



1.2. ЕКІ ҚҰРЫЛҒЫНЫ ОРНАТУ

Қатырғыш ① және тоңазытқышты ② бірге орнату барысында қатырғыш сол жағында және тоңазытқыш оң жағында (суретте көрсетілгендей) орналасқанына көз жеткізіңіз. Құрылғылар арасындағы конденсация мәселелерін болдырмау үшін, тоңазытқыштың сол жағы арнайы құралмен жабдықталған.

Екі құрылғыны байланыстыру жинағымен ③ (суретте көрсетілгендей) бірге орнатқан жөн. Оны қызмет көрсету орталығынан сатып алуға болады.

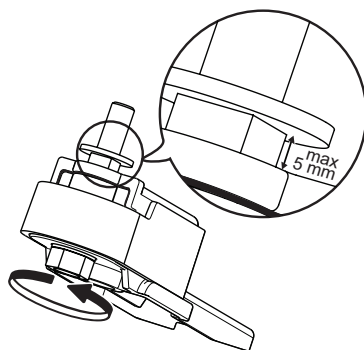


1.3. ЕСІКТЕРДІ РЕТТЕУ (егер болса)

Төменгі реттелмелі топсаны пайдаланып есіктерді реттеу (кейбір үлгілерде)

Егер тоңазытқыш есігі қатырғыш есігінен төмен болса, реттеу бұрандасын сағат тіліне қарсы M10 кілтін пайдаланып бұрау арқылы тоңазытқыш есігін көтеріңіз.

Егер қатырғыш есігі тоңазытқыш есігінен төмен болса, реттеу бұрандасын сағат тіліне қарсы M10 кілтін пайдаланып бұрау арқылы қатырғыш есігін көтеріңіз.




2. ФУНКЦИЯЛАР

2.1. АШЫҚ ЕСІК ДАБЫЛЫ

Есік 5 минуттан артық уақыт бойы ашық қалса, Ашық есік дабылы іске қосылады. Дабылдың белгісі жарық диодты есік шамының жыпылықтауы арқылы көрсетіледі. Есік 8 минуттан артық уақыт бойы ашық қалса, жарық диодты есік шамы өшеді.

2.2. ТЕЗ СУЫТУ

Бұл функцияны пайдалану тоңазытқыш бөлімшесіне тағамның өте үлкен көлемін салған кезде пайдаланған жөн.

Тез салқындату  функциясының көмегімен тоңазытқыш бөлімшенің салқындату мүмкіндігін арттыруға болады. Салқындату мүмкіндігін арттыру үшін желдеткішті қосуды күйде ұстаңыз.

2.3. ЖЕЛДЕТКІШ*

Желдеткіш өнім ішіндегі температура таратылуын жақсартып, тоңазытқыштағы тағамның жақсырақ сақталуына мүмкіндік береді. Өдепкі ретінде, желдеткіш қосуды болады. Қоршаған ортаның температурасы $27 \pm 28^{\circ}\text{C}$ градустан жоғары болғанда немесе шыны сөрелерде су тамшылары байқалса не аса жоғары ылғалдылық болса, желдеткішті іске қосуды күйде ұстау ұсынылады. Желдеткіш қосылған кезде, оның үздіксіз түрде жұмыс жасамайтынын ескеріңіз. Желдеткіш құрылғының ішіндегі температура және/немесе ылғалдылық деңгейіне байланысты жұмысын бастайды/тоқтатады. Желдеткіш қосуды болған жағдайдың өзінде желдеткіш қозғалмаса, ол толықтай қалыпты құбылыс болып табылады. Бұл функцияны іске қосу немесе өшіру үшін қоса берілген Қысқаша іске қосу нұсқаулығын қараңыз.

Ескертпе:

Ауаның кіру аймағын тағамдармен бөгеменіз. Қоршаған орта температурасы төменірек (18°C градустан салқынырақ) болғанда дұрыс жұмыс істеуін қамтамасыз етіп, қуат тұтынуды азайту үшін желдеткішті өшіріңіз.

Құрылғының желдеткіші болса, ол **бактерияға қарсы сүзгімен** жабдықталған болуы мүмкін. Оны сақтау бөлімінің тартпасында орналасқан жәшіктен шығарып, желдеткіш қақпағына орнатыңыз. Ауыстыру процедурасы сүзгі жәшігінде қамтылған.

2.4. ТЕМПЕРАТУРА ПАРАМЕТРІ

Құрылғы әдетте ұсынылған орташа температурада жұмыс істеу үшін зауытта орнатылады. Температураны орнату бойынша толық мәліметті Қысқаша іске қосу нұсқаулығынан қараңыз.

Ескертпе: Көрсетілген орнату нүктелері бүкіл тоңазытқыштың орташа температурасына сәйкес келеді

2.5. NO-FROST (ҚЫРАУ ТҰРМАЙТЫН) ТОҢАЗЫТҚЫШ БӨЛІМІ

Тоңазытқыш бөлімін еріту толық автоматты түрде орындалады. Тоңазытқыш бөлімінің ішіндегі артқы қабырғасындағы су тамшылары автоматты еріту процесінің орындалып жатқанын білдіреді. Еріген су төгу саңылауына автоматты түрде төгіліп, кейін контейнерде жиналып, буланады.

2.6. ТОҢАЗЫТҚЫШ ШАМЫ

Тоңазытқыш бөліміндегі жарықтандыру жүйесі жарық диодты шам жүйесін пайдаланып, жақсы жарықтандыру мен қуаттың төмен деңгейде тұтынылуына мүмкіндік береді. Жарық диод шамының жүйесі жұмыс істемесе, оны ауыстыру үшін, қызмет көрсету орталығымен хабарласыңыз.

Маңызды:

Тоңазытқыштың есігі ашылған кезде тоңазытқыш бөлімінің шамы қосылады. Егер есік 8 минуттан артық ашық күйде қалса, шам автоматты түрде өшіріледі.

*Таңдамалы үлгілерде ғана қолжетімді. Осы функцияның үлгіздегі қолжетімділігін ҚЫСҚАША ІСКЕ ҚОСУ НҰСҚАУЛЫҒЫНАН тексеріңіз.

3. ПАЙДАЛАНУ

3.1. ЕСКЕРТПЕЛЕР

- Ауа шығару аймағын (өнімнің ішіндегі артқы қабырғада) тағам өнімдерімен бұғаттамаңыз.
- Барлық сөрелер, жапқыштар және тартып алынатын себеттерді алуға болады.

- Құрылғының ішкі температураларына қоршаған орта температурасы, есік ашудың жиілігі және құрылғының орналасқан орны әсер етуі мүмкін. Температураны орнату кезінде осы факторларды ескеру қажет.
- Басқасы көрсетілмесе, құрылғы керек-жарақтарын ыдыс жуу машинасында жууға болмайды.

4. ТАҒАМДЫ САҚТАУ КЕҢЕСТЕРІ

Тоңазытқыш - дайын тамақ, балғын және консервіленген тағамды, сүт өнімдері, жеміс және көкөністер мен сусындарды сақтау үшін ыңғайлы орын.

4.1. АУА ЖЕЛДЕТКІШІ

- Тоңазытқыш бөлімшенің ішіндегі ауаның өздігінен айналуы түрлі температуралы аймақтардың түзілуіне әкеледі. Жеміс және көкөніс сақтау бөлімінің үстінде және артқы қабырға аймағы аса суық. Бөлімнің жоғарғы алдыңғы жағы аса жылы.
- Желдетудің жеткіліксіздігі қуат тұтыну көлемінің артуына және тоңазытқыштың жұмысының нашарлауына әкеледі.

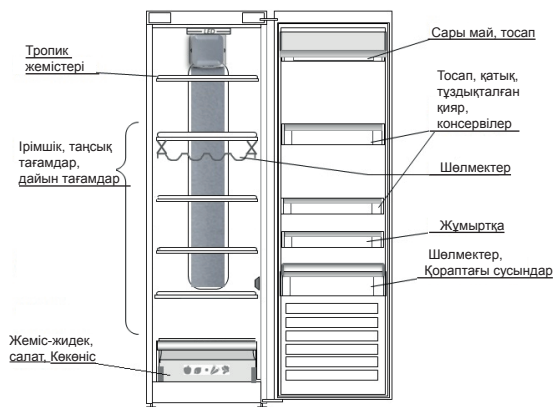
4.2. ЖАС ТАҒАМ МЕН СУСЫНДАРДЫ САҚТАУ

- Қайта өңдеуге болатын пластик, металл, алюминий және шыны ыдысты, сондай-ақ тағамды орау үшін ас үлдірін пайдаланыңыз.
- Иіс шығаруы немесе иістен бүлінуі не иісті беруі мүмкін сұйық заттар мен тағам үшін әрқашан да жабық ыдысты пайдаланыңыз немесе бетін жабыңыз.
- Этилен газын көп мөлшерде шығаратын тағамды және осы газға сезімтал жеміс, көкөніс пен салат сияқты тағамдарды сақтау мерзімі қысқармауы үшін оларды бөлек қою немесе орау керек; мысалы, қызанақтарды киви жемісімен және орамжапырақпен бірге сақтамаңыз.
- Жеткілікті ауа айналымын қамтамасыз ету үшін тағамды бір-біріне тым жақын сақтамаңыз.
- Шөлмектердің төңкеріліп кетуін болдырмау үшін бөтелке ұстағышты (бөлектелген үлгілерде бар) пайдалануға болады.
- Егер тоңазытқышта сақталатын тамақтың мөлшері аз болса, жеміс-жидек пен көкөніске арналған тартпаның үстіндегі сөрелі пайдалануды ұсынамыз, себебі ол - бөлімшедегі ең суық аймақ.

4.3. ЖАС ТАҒАМ МЕН СУСЫНДАРДЫ САҚТАЙТЫН ОРЫН

- Тоңазытқыш сөрелерінде: дайын тамақ, тропикалық жемістер, ірімшіктер, деликатес.
- Жеміс-жидек пен көкөніс тартпасында: жеміс, салат, көкөніс.
- Есікте: сары май, тосап, тұздық, консервілер, шөлмектер, қораптағы сусындар, жұмыртқа

ТАҒАМДАРДЫ ОРНАЛАСТЫРУ МЫСАЛЫ



5. ФУНКЦИОНАЛДЫҚ ДЫБЫСТАР

Құрылғылардан шығатын дыбыстар қалыпты болып саналады, себебі құрылғы автоматты түрде қосу және өшіру жұмыстарын реттейтін желдеткіштер және моторлармен қамтылған.

Кейбір функционалдық дыбыстарды келесідей азайтуға болады:

- Құрылғының деңгейін келтіру және тегіс беткі қабатқа орналастыру.
- Құрылғы мен жиһаз арасын бөлу және бір-бірінің тиюіне жол бермеу.
- Ішкі құрамдастардың дұрыс орнатылғанын тексеру.
- Бөтелкелер мен контейнерлердің бір-біріне тимеуін тексеру.

Келесідей функционалдық дыбыстарды естуіңіз мүмкін:

Құрылғыны бірінші рет немесе ұзақ іркілістен кейін қосу кезіндегі ысылдаған дыбыс.



Хладагент сұйықтығы түтіктерге кірген кездегі бүлкілдеген дыбыс.



Жұмыс істеп тұрған компрессордан шығатын "бррр" дыбысы.



Су қраны немесе желдеткіш жұмысты бастаған кездегі быжылдаған дыбыс.



Компрессор іске қосылғандағы немесе дайын мұз бөліктері мұз қорабының ішіне кенет тырс еткендегі, компрессор қосылып және өшкендегі шырт еткен дыбыс.



Сыртылдаған дыбыс компрессордың қаншалықты жиі жұмыс істейтінін реттейтін термостаттан шығады.



6. ҚҰРЫЛҒЫНЫ ПАЙДАЛАНБАУ ЖАҒДАЙЫНДАҒЫ ҰСЫНЫС

6.1. УАҚЫТША БОЛМАУ / ДЕМАЛЫС

Демалысқа кеткен жағдайда, азық-түлікті түгел пайдаланып, қуатты үнемдеу үшін құрылғыны ажыратқан жөн.

6.2. КӨШІП-ҚОНУ

1. Барлық ішкі бөлшектерін шығарыңыз.
2. Оларды орап, бір-біріне соғылмайтындай немесе жоғалмайтындай етіп, жабысқақ таспамен бекітіңіз.
3. Реттелетін аяқтарды тіреу бетіне тимейтіндей етіп бұраңыз.
4. Есікті жауып, жабысқақ таспамен бекітіңіз және жабысқақ таспаның көмегімен қуат кабелін құрылғыға бекітіңіз.

6.3. ЭЛЕКТР ҚУАТЫНЫҢ ҮЗІЛУІ

Қуат іркілісі орын алса, электр қуатымен жабдықтайтын компанияның жергілікті кеңсесімен хабарласып, іркілістің ұзақтығы туралы сұраңыз.

Ескертпе: Толық құрылғы ішінара толтырылған құрылғыға қарағанда ұзақ уақыт бойы салқын болып тұратынын есте сақтаңыз.

Тағамның күйі нашар болса, оны лақтырып тастаған жөн.

24 сағатқа дейін созылатын қуат іркілістері үшін.

1. Құрылғының есігін жабық күйде ұстаңыз. Бұл сақталған тағамдардың мүмкіндігінше салқын болуына мүмкіндік береді.

24 сағаттан аса созылатын қуат іркілістері үшін.

1. Алдымен тез бұзылатын тағамдарды тауысу қажет.

7. ҚҰРЫЛҒЫҒА ТЕХНИКАЛЫҚ ҚЫЗМЕТ КӨРСЕТУ ЖӘНЕ ТАЗАЛАУ

Кез келген тазалау немесе қызмет көрсету жұмысының алдында құрылғыны электр желісінен немесе электр қуатының көзінен ажыратыңыз.

Құрылғыны жүйелі түрде мата және тоңазытқышқа арналған бейтарап тазалау заты қосылған жылы су ерітіндісімен тазалаңыз. Ысқыш заттарды ешқашан пайдаланбаңыз. Тоңазытқыш бөлшектерін ешқашан жанғыш сұйықтықтармен тазаламаңыз. Бу өрт немесе жарылыс қаупін тудыруы мүмкін. Құрылғының сыртқы жағын және есік тығыздатқышын дымқыл матамен тазалап, жұмсақ матамен келтіріңіз.

Бу тазалағыштарды пайдаланбаңыз.

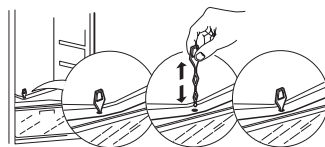
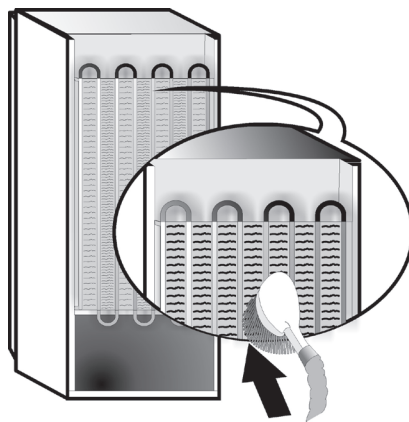
Құрылғының артқы жағында орналасқан конденсатор вакуум тазалағышты пайдаланып жүйелі түрде тазалануы тиіс.

Құрылғының артқы жағында орналасқан конденсатор вакуум тазалағышты пайдаланып жүйелі түрде тазалануы тиіс.

Маңызды:

- Түймешіктері және басқару панеліндегі дисплей алкоголь немесе құрамында алкоголь бар заттармен тазартылмауы тиіс, тек құрғақ матаны пайдаланыңыз.
- Тоңазытқыш жүйесінің түтіктері еріту поддонының қасында орналасқан және ыстық болуы мүмкін. Оларды жүйелі түрде вакуум тазалағышының көмегімен тазартыңыз.

Ерітілген судың үздіксіз және дұрыс ағуын қамтамасыз ету үшін тоңазытқыштың артқы жағындағы жеміс және көкөніс жәшігінің қасында орналасқан төгу саңылауының ішкі жағын ұсынылған құралды пайдаланып әрқашан тазалаңыз.



8. АҚАУЛЫҚТАРДЫ ЖОЮ НҰСҚАУЛЫҒЫ

8.1. КЕПІЛДІ ҚЫЗМЕТ КӨРСЕТУ ОРТАЛЫҒЫНА ХАБАРЛАСПАС БҰРЫН...

Өз бетіңізбен анықтап, ешбір құралсыз түзете алатын шағын мәселелер өнімділік ақаулықтарын жиі тудыруы мүмкін.

ПРОБЛЕМА	ШЕШІМІ
Құрылғы жұмыс істемейді:	<ul style="list-style-type: none">• Қуат кабелінің кернеуі сәйкес жұмыс істейтін розеткаға қосылған ба?• Үйіңіздегі электр жүйесінің қорғаушы құрылғылары мен сақтандырғыштарын тексердіңіз бе?
Еріту поддонында су бар болса:	<ul style="list-style-type: none">• Бұл ыстық, дымқыл ауа райы кезінде қалыпты болып табылады. Поддон, тіпті, жартылай толы болуы мүмкін. Құрылғының су төгілмейтіндей, бір деңгейде еңкеюсіз тұрғанына көз жеткізіңіз.
Егер есік тығыздатқышымен жанасатын құрылғы корпусының шеттері жылы болса:	<ul style="list-style-type: none">• Бұл жағдай ыстық ауа райында және компрессор жұмыс істеп тұрғанда қалыпты болып табылады..
Шам жұмыс істемейді:	<ul style="list-style-type: none">• Үйіңіздегі электр жүйесінің қорғаушы құрылғылары мен сақтандырғыштарын тексердіңіз бе?• Қуат кабелінің кернеуі сәйкес жұмыс істейтін розеткаға қосылған ба?• Жарық диодтар зақымдалған жағдайда оны тек сатудан кейінгі көрсетілетін қызметті көрсету бөлімінде немесе өкілетті дилерде ғана сатылатын бөлшекпен ауыстыру үшін пайдаланушы Қызмет көрсету орталығына хабарласуы тиіс.
Егер мотордың тым көп жұмыс істеп тұрғаны байқалса:	<ul style="list-style-type: none">• Мотордың жұмыс істеу уақыты түрлі жағдайларға байланысты: есіктің ашылу жиілігі, сақталған тағамның мөлшері, бөлмедегі температура, температураны басқару құралдарының параметрі.• Конденсаторда (құрылғының артқы жағы) шаң немесе мамық жиналмаған ба?• Есік тиісінше жабылған ба?• Есік тығыздатқыштары тиісінше орнатылған ба?• Ыстық күндері немесе бөлме жылы болғанда мотор әдеттегідей ұзағырақ жұмыс істейді.• Құрылғы есігі біраз уақытқа ашық қалдырылса немесе тағамның үлкен көлемі сақталса, құрылғының ішкі бөлігін салқындату үшін, мотор ұзағырақ уақыт бойы жұмыс істейді.
Құрылғы температурасы тым жоғары болса:	<ul style="list-style-type: none">• Құрылғының басқару элементтері дұрыс орнатылды ма?• Құрылғыға тағамның көп мөлшері салынды ма?• Есіктің жиі ашылмайтынын тексеріңіз.• Есіктің тиісті түрде жабылғанын тексеріңіз.
Егер есіктер тиісті түрде ашылмаса және жабылмаса:	<ul style="list-style-type: none">• Тағам орамдарының есікті тірмейтінін тексеріңіз.• Ішкі бөлшектер немесе автоматты мұз генераторы орындарында екенін тексеріңіз.• Есік тығыздатқыштары кір немесе жабысқақ еместігін тексеріңіз.• Құрылғының тегіс тұрғанына көз жеткізіңіз.

8.2. АҚАУЛЫҚТАР

Кез келген ақаулық орын алып, жарық диод индикаторы жыпылықтай бастаған кезде, қызмет көрсету орталығына хабарласу қажет. Құрылғы ішіндегі тағамды сақтап жұмыс істейді.

Ескертпе: Қуат іркілісі орын алған жағдайда, құрылғы қалыпты әрекет режиміне оралады және алдында таңдалған температураның орнатылған мәні қалпына келеді.

9. КЕПІЛДІК БОЙЫНША ҚЫЗМЕТ КӨРСЕТУ

Кепілдік бойынша қызмет көрсету орталығына хабарласу алдында:

Мәселенің шешілгенін/шешілмегенін көру үшін құрылғыны қайта қосыңыз. Шешілмесе, құрылғыны қуат көзінен ажыратыңыз және қайта қосудың алдында бір сағат күтіңіз.

Ақаулықтарды шешу нұсқаулығында сипатталған тексерістерді орындаудан кейін және құрылғыны қайта қосудан кейін ол әлі дұрыс жұмыс істемесе, Кепілдік бойынша қызмет көрсету орталығына хабарласыңыз және мәселені түсіндіріңіз.

Келесілерді анықтап беріңіз:

- үлгісі мен құрылғының сериялық нөмірі (техникалық деректер паспортында берілген),
- мәселенің сипаты,

SERVICE 0000 000 00000



- қызметтік нөмірі (құрылғының ішкі жағындағы деректер тақтасында SERVICE (ҚЫЗМЕТ) сөзінен кейін жазылған нөмір),
- толық мекенжайыңыз,
- телефон нөміріңіз және аймақ кодыңыз.

Ескертпе:

Есіктің ашылу бағытын өзгертуге болады. Осы операция кепілдік бойынша қызмет көрсету бөлімінің тарапынан орындалса, ол кепілдікте қамтылмайды.

STIKKORDREGISTER

Kapittel 1: MONTERING	69
1.1. INSTALLASJON AV ETT ENKELT APPARAT	69
1.2. INSTALLASJON AV TO APPARAT	69
1.3. REGULER DØRER (Hvis tilgjengelige).....	69
Kapittel 2: FUNKSJONER	70
2.1. ALARM FOR ÅPEN DØR.....	70
2.2. RASK NEDKJØLING [†]	70
2.3. VIFTE*	70
2.4. INNSTILLING AV TEMPERATUR	70
2.5. NO-FROST KJØLESKAPSEKSJON	70
2.6. KJØLESKAPSLYS	70
Kapittel 3: BRUK	71
3.1. BEMERKNINGER	71
Kapittel 4: TIPS FOR OPPBEVARING AV MAT	71
4.1. LUFTVENTILASJON	71
4.2. HVORDAN OPPBEVARE FERSK MAT OG DRIKKE	71
4.3. HVOR FERSK MAT OG DRIKKE SKAL OPPBEVARES.....	71
Kapittel 5: FUNKSJONSLYDER	72
Kapittel 6: ANBEFALING HVIS APPARATET IKKE ER I BRUK	73
6.1. FRAVÆR / FERIE.....	73
6.2. FLYTTING.....	73
6.3. STRØMBRUDD.....	73
Kapittel 7: RENGJØRING OG VEDLIKEHOLD	73
Kapittel 8: FEILSØKINGSLISTE	74
8.1. FØR DU KONTAKTER ETTERSALGSSERVICEN	74
8.2. FEIL.....	74
Kapittel 9: KUNDESERVICE	75
Andre:	
OMHENGSLING AV DØR.....	132

MERK:

Instruksene gjelder flere modeller, så det kan være forskjeller. Deler som gjelder kun visse apparater er merket med en asterisk (*).

Funksjoner som gjelder spesielt for den modellen av produktet du allerede har kjøpt, finner du i HURTIGSTART-VEILEDNINGEN.

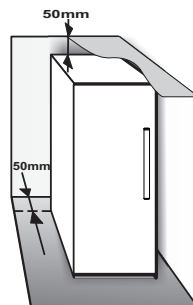
1. MONTERING

1.1. INSTALLASJON AV ETT ENKELT APPARAT

For å sikre tilstrekkelig ventilasjon må du la det være rom på begge sider og over apparatet.

Avstanden mellom baksiden av apparatet og veggen bør være minst 50 mm.

Er avstanden kortere, økes apparatets energiforbruk.

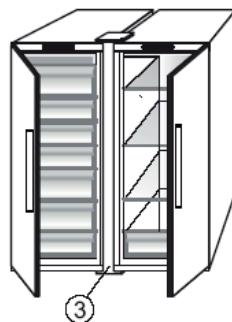
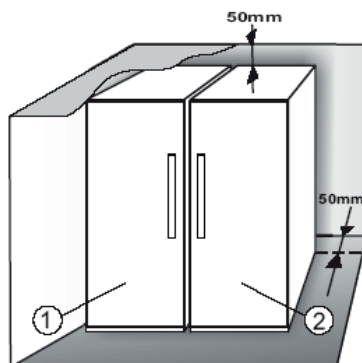


1.2. INSTALLASJON AV TO APPARAT

Ved installasjon av fryseren ① og kjøleskapet ② sammen, må du sørge for at fryseren står til venstre og kjøleskapet til høyre (som vist i tegningen). Venstre side av kjøleskapet er utstyrt med en spesialanordning som forhindrer kondensproblemer mellom apparater.

Vi anbefaler å installere to apparat sammen ved å bruke sammenkopplingspakken ③ (som vist på tegningen).

Du kan kjøpe den fra serviceavdelingen.

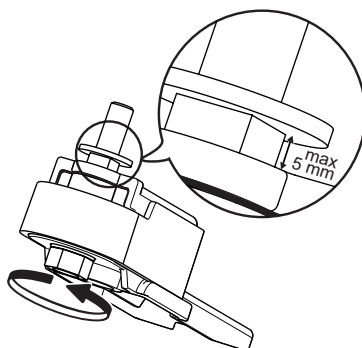


1.3. REGULER DØRER (Hvis tilgjengelige)

Justering av dørene ved hjelp av det nedre regulerbare hengslet (velg modeller)

Dersom kjøleskapsdøren er lavere enn døren til fryseren, hev kjøleskapsdøren ved å vri justeringskruen mot urviseren ved å benytte en M10 skrunøkkel.

Dersom døren til fryseren er lavere enn kjøleskapsdøren, hev døren til fryseren ved å vri justeringskruen med urviseren ved å benytte en M10 skrunøkkel.




2. FUNKSJONER

2.1. ALARM FOR ÅPEN DØR

Alarmeren for åpen dør aktiveres når døren blir stående åpen i mer enn 5 minutter. Alarmeren vises visuelt ved at LED-dørlampen blinker. Hvis døren holdes åpen i mer enn 8 minutter, slås LED-dørlampen av.

2.2. RASK NEDKJØLING

Denne funksjonen anbefales når en stor mengde matvarer legges inn i kjøleseksjonen.

Bruk funksjonen for rask nedkjøling  til å øke nedkjølingskapasiteten i kjøleskapsseksjonen. La viftebryteren stå på for å maksimere kjølekapasiteten.

2.3. VIFTE*

Viften forbedrer temperaturfordelingen inne i produktet, slik at maten bevares bedre. Som standard er viften slått på. Det anbefales å la viften stå på når omgivelsestemperaturen er over 27 ÷ 28° C eller hvis du ser dråper på glasshyllene eller i svært fuktige omgivelser. Merk at selv om viften er på, vil den ikke være i drift kontinuerlig. Viften starter/slutter å gå avhengig av temperaturen og/eller fuktighetsnivået inne i produktet. Derfor er det absolutt normalt hvis viften ikke går selv om den er slått på. Du finner hvordan du aktiverer eller deaktiverer denne funksjonen i den vedlagte hurtigstartveiledningen.

Merk:

Ikke blokker luftinntaket med matvarer.

Det anbefales å slå av viften for redusere strømforbruket og for å sikre høy ytelse ved lav omgivelsestemperatur (lavere enn 18 °C).

Dersom apparatet har denne viften, kan det utstyres med **antibakterielt filter**.

Ta det ut av boksen i grønnsaksskuffen, og sett det inn i viftedekselet.

Fremgangsmåten for skifte av filter står på filterboks.

2.4. INNSTILLING AV TEMPERATUR

Apparatet er normalt stilt inn på fabrikken for bruk på den anbefalte middeltemperaturen.

Du finner opplysninger om innstilling av temperaturen i den vedlagte hurtigstartveiledningen.

Merk: Viste settpunkter tilsvarende gjennomsnittstemperaturen i hele kjøleskapet

2.5. NO-FROST KJØLESKAPSEKSJON

Avriming av kjøleseksjonen skjer automatisk.

Vannråper på bakveggen inne i kjøleseksjonen viser at den automatiske avrimingsfasen pågår.

Smeltevannet renner ned gjennom et dreneringshull og samles deretter opp i en beholder, der det fordampes.

2.6. KJØLESKAPSLYS

Lyssystemet inne i kjøleseksjonen bruker diodelamper, noe som både gir bedre belysning og meget lavt energiforbruk.

Hvis LED-lys system ikke virker, må du kontakte serviceavdelingen for å få det skiftet.

Viktig:

Lyset i kjøleseksjonen tennes når døren åpnes. Hvis døren holdes åpen i mer enn 8 minutter, slås lyset automatisk av.

*Kun tilgjengelig på utvalgte modeller. Se i HURTIGSTARTVEILEDNINGEN om denne funksjonen faktisk er tilgjengelig på din modell.

3. BRUK

3.1. BEMERKNINGER

- Du må ikke blokkere området rundt luftavløpet (på bakveggen inne i produktet) med matvarer.
- Alle hyller, klaffer og uttrekkskurver kan fjernes.

- Den innvendige temperaturen i fryseren kan påvirkes av romtemperaturen, hyppig døråpning, samt fryserens plassering. Temperaturreguleringen bør ta disse faktorene med i betraktning.
- Med mindre noe annet er angitt, kan apparatets tilbehør ikke vaskes i oppvaskmaskin.

4. TIPS FOR OPPBEVARING AV MAT

Kjøleskapet egner seg utmerket til oppbevaring av ferdigmat, ferskvarer, konservert mat, melkeprodukter, frukt, grønnsaker og drikkevarer.

4.1. LUFTVENTILASJON

- Den naturlige luftsirkulasjonen i kjøleskapet gir soner med ulike temperaturer. Det er kaldest like over frukt- og grønnsaksskuffen og inne ved bakveggen. Det er varmest helt øverst mot døren.
- Utilstrekkelig ventilasjon gir økt energiforbruk og dårligere kjøling.

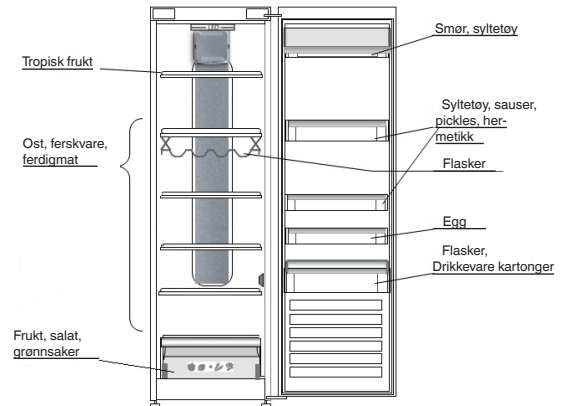
4.2. HVORDAN OPPBEVARE FERSK MAT OG DRIKKE

- Bruk beholdere av plast, metall, aluminium og glass som kan resirkuleres, og pakk inn maten i plastfolie.
- Bruk alltid lukkede beholdere til væske og matvarer med sterk lukt eller smak, eller som lett trekker til seg lukt eller smak.
- Matvarer som frigjør store mengder etylengass og de som er følsomme for denne type gasser, som frukt, grønnsaker og salat, må alltid oppbevares adskilt eller pakkes inn slik at oppbevaringstiden ikke reduseres; for eksempel må aldri tomater plasseres sammen med kiwi eller kål.
- Ikke sett matvarene så tett sammen at luften ikke kan sirkulere ordentlig.
- Bruk en flaskeholder (gjelder kun enkelte modeller) for å unngå at flasker velter.
- Hvis du kun oppbevarer noen få matvarer i kjøleskapet, anbefaler vi at du bruker hyllene like over frukt- og grønnsaksskuffen, siden dette er det kaldeste området i rommet.

4.3. HVOR FERSK MAT OG DRIKKE SKAL OPPBEVARES

- På hyllene i kjøleskapet: ferdigmat, tropisk frukt, ost, ferskvarer.
- I frukt- og grønnsaksskuffen: frukt, salat, grønnsaker.
- I døren: smør, syltetøy, pickles, hermetikk, flasker, drikkekartonger, egg

EKSEMPEL PÅ PLASSERING AV MATVARER



5. FUNKSJONSLYDER

Det er normalt at det kommer lyder fra apparatet, siden det har en rekke vifter og motorer som regulerer ytelsen og som slås på og av automatisk.

Noen av funksjonslydene kan reduseres ved å

- Nivellere apparatet og montere det på en horisontal flate.
- Skille fra hverandre og unngå kontakt mellom apparatet og møbler.
- Kontrollere om innvendige komponenter er riktig plassert.
- Kontrollere at flasker og beholdere ikke er i kontakt med hverandre.

Noen av funksjonslydene du kan høre:

En hvese-lyd når du slår på apparatet første gang eller etter en lang pause.



En gurglelyd når kjølemiddel renner inn i rørene.



BRRR-lyden fra kompressoren når denne er i drift.



En summelyd når vannventilen eller viften starter å virke.



En sprake-lyd når kompressoren starter eller når ferdig is faller ned i isbeholderen, brå klikk når kompressoren slår seg på og av.



KLIKKET kommer fra termostaten som regulerer hvor ofte kompressoren er i drift.



6. ANBEFALING HVIS APPARATET IKKE ER I BRUK

6.1. FRAVÆR / FERIE

I ferier anbefaler vi å bruke opp maten og kople fra apparatet for å spare strøm.

6.2. FLYTTING

1. Ta ut alle innvendige deler.
2. Pakk dem godt inn og fest dem til hverandre med limbånd slik at de ikke slår mot hverandre eller blir borte.
3. Skru de justerbare føttene slik at de ikke berører støtteflaten.
4. Lukk døren og lås den fast med limbånd, og bruk dessuten limbånd til å feste strømledningen til apparatet.

6.3. STRØMBRUDD

Hvis det oppstår et strømbrudd, må du ringe strømleverandøren og spørre hvor lenge det kommer til å vare.

Merk: Husk at et fullt skap vil holde seg kaldt lenger enn et som bare er halvfyllt.

Hvis maten viser seg å være i dårlig forfatning, er det best å kaste den.

For strømbrudd som varer opptil 24 timer.

1. Hold døren på apparatet stengt. Det vil gjøre at maten holder seg kald lengst mulig.

For strømbrudd som varer lenger enn 24 timer.

1. Prøv å bruke opp den maten som lettest blir fordervet.

7. RENGJØRING OG VEDLIKEHOLD

Før du utfører rengjøring eller vedlikehold, trekk ut stikkkontakten til apparatet eller koble fra strømforsyningen. Vask apparatet av og til med en klut og en blanding av lunken vann og et nøytralt vaskemiddel som er egnet for vask av kjøleskap innvendig. Du må aldri bruke skuremidler. Kjøleskapsdeler må aldri rengjøres med brennbare væsker. Dampen kan skape brann- eller eksplosjonsfare. Rengjør utsiden av apparatet og dørpakningen med en fuktig klut og tørk med en tørr klut.

Ikke bruk damprengjøringsutstyr.

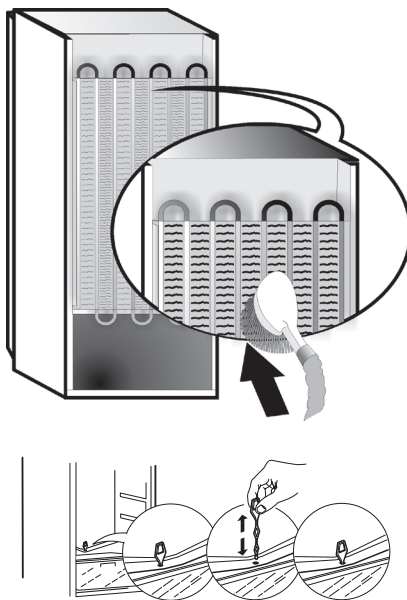
Kondensatoren, som sitter på baksiden av apparatet, bør rengjøres regelmessig med støvsuger.

Kondensatoren, som sitter på baksiden av apparatet, bør rengjøres regelmessig med støvsuger.

Viktig:

- Knappene og displayet på kontrollpanelet må ikke rengjøres med alkohol eller alkoholbaserte midler, men med en tørr klut.
- Rørene i kjølesystemet sitter nær avisingspannen og kan bli varme. Rengjør dem av og til med støvsuger.

For å sikre at smeltevannet kan strømme uavbrutt og korrekt, rengjør innsiden av avløpshullet bak på kjøleskapet i nærheten av frukt- og grønnsaksskuffen regelmessig, med vedlagt redskap.



8. FEILSØKINGSLISTE

8.1. FØR DU KONTAKTER ETTERSALGSSERVICEN...

Driftsproblemer er ofte et resultat av små ting som du kan fikse selv uten verktøy av noe slag.

PROBLEM	LØSNING
Apparatet virker ikke:	<ul style="list-style-type: none">• Er strømledningen satt inn i en strømførende kontakt med riktig spenning?• Har du kontrollert verneinnretningene og sikringene i boligens elektriske anlegg?
Hvis det er vann i avisingspannen:	<ul style="list-style-type: none">• Dette er normalt i varmt, fuktig vær. Pannen kan til og med bli halvfull. Sørg for at apparatet er i vater slik at vannet ikke renner ut.
Hvis kantene på skapet, som er i kontakt med dørpakningen, føles varme:	<ul style="list-style-type: none">• Dette er normalt i varmt vær og når kompressoren er i gang.
Hvis lyset ikke virker:	<ul style="list-style-type: none">• Har du kontrollert verneinnretningene og sikringene i boligens elektriske anlegg?• Er strømledningen satt inn i en strømførende kontakt med riktig spenning?• Hvis LED-lysepærene har gått, må brukeren ringe Serviceavdelingen for å få dem skiftet ut med pærer av samme type, som kun er tilgjengelig fra våre Servicesentre eller autoriserte forhandlere.
Hvis motoren synes å gå for mye:	<ul style="list-style-type: none">• Motorens driftstid avhenger av ulike ting: antall døråpninger, mengden mat som oppbevares, romtemperaturen, innstillingen til temperaturbryterne.• Er kondensatoren (bak på apparatet) fri for støv og lo?• Er døren ordentlig lukket?• Sitter dørpakningene som de skal?• Motoren går alltid lenger på varme dager eller hvis rommet er varmt.• Hvis døren på apparatet har blitt stående åpen en stund, eller hvis det er lagt inn store mengder mat, vil motoren gå lenger for å kjøle ned apparatet innvendig.
Hvis temperaturen i apparatet er for høy:	<ul style="list-style-type: none">• Er bryterne på apparatet korrekt innstilt?• Er det lagt en stor mengde mat i apparatet?• Kontroller at døren ikke åpnes for ofte.• Kontroller at døren lukkes som den skal.
Hvis dørene ikke kan åpnes og lukkes som de skal:	<ul style="list-style-type: none">• Kontroller at det ikke er pakker med mat som blokkerer døren.• Kontroller at innvendige deler eller den automatiske ismakeren ikke er ute av stilling.• Kontroller at dørpakningene ikke er skitne eller klebrige.• Sørg for at apparatet står i vater.

8.2. FEIL

Når det oppstår en driftsforstyrrelse og en LED-indikator begynner å blinke, må du ringe serviceavdelingen. Apparatet vil fungere og bevare maten som oppbevares.

Merk: Hvis det oppstår strøbrudd, går apparatet tilbake til normal drift og tidligere valgte temperaturinnstillinger gjenopprettes.

9. KUNDESERVICE

Før serviceavdelingen kontaktes:

Slå apparatet på igjen for å se om problemet er løst. Hvis ikke, kobler du apparatet fra strømforsyningen og venter i omtrent en time før du skrur det på igjen. Hvis apparatet fremdeles ikke fungerer som det skal etter at du har utført kontrollene beskrevet i feilsøkinglisten og slått apparatet på igjen, må du kontakte serviceavdelingen og forklare problemet.

Oppgi følgende:

- apparatets modell og serienummer (som står på servicemerket),
- problemets art,

SERVICE 0000 000 00000




- servicenummeret (nummeret etter ordet SERVICE på informasjonsskiltet på innsiden av apparatet),
- din fullstendige adresse,
- ditt telefonnummer og retningsnummer.

Merk:

Du kan endre hvilken vei døren åpner seg. Hvis dette gjøres av serviceavdelingen, dekkes det ikke av garantien.

SPIS TREŚCI

Rozdział 1: INSTALACJA	77
1.1. INSTALACJA POJEDYNCZEGO URZĄDZENIA	77
1.2. INSTALACJA DWÓCH URZĄDZEŃ	77
1.3. REGULACJA DRZWI (jeżeli dostępne)	77
Rozdział 2: FUNKCJE	78
2.1. ALARM OTWARTYCH DRZWICZEK	78
2.2. SZYBKIE SCHŁADZANIE 	78
2.3. WENTYLATOR*	78
2.4. USTAWIANIE TEMPERATURY	78
2.5. KOMORA SAMOODSZRANIAJĄCA	78
2.6. OŚWIETLENIE ŁODÓWKI	78
Rozdział 3: EKSPLLOATACJA	79
3.1. UWAGI.....	79
Rozdział 4: ZALECENIA DOTYCZĄCE PRZECHOWYWANIA ŻYWNOSCI	79
4.1. NAWIEW	79
4.2. PRZECHOWYWANIE ŚWIEŻEJ ŻYWNOSCI I NAPOJÓW	79
4.3. PRZECHOWYWANIE ŚWIEŻEJ ŻYWNOSCI I NAPOJÓW	79
Rozdział 5: NORMALNE ODGŁOSY PRACY URZĄDZENIA	80
Rozdział 6: ZALECENIA W PRZYPADKU AWARII URZĄDZENIA	81
6.1. NIEOBECNOŚĆ W DOMU / WYJAZD	81
6.2. PRZEPROWADZKA.....	81
6.3. AWARIA ZASILANIA	81
Rozdział 7: CZYSZCZENIE I KONSERWACJA	81
Rozdział 8: INSTRUKCJA ROZWIĄZYWANIA PROBLEMÓW	82
8.1. ZANIM SKONTAKTUJESZ SIĘ Z SERWISEM TECHNICZNYM.....	82
8.2. AWARIE.....	82
Rozdział 9: SERWIS TECHNICZNY	83
Inne:	
ZMIANA KIERUNKU OTWIERANIA DRZWI.....	132

UWAGA:

Instrukcja dotyczy kilku modeli, które mogą się między sobą różnić. Rozdziały odnoszące się do niektórych urządzeń są oznaczone gwiazdką (*).

Funkcje dedykowane szczególnie do zakupionego modelu znajdują się w rozdziale zatytułowanym INSTRUKCJA SZYBKIEGO URUCHOMIENIA.

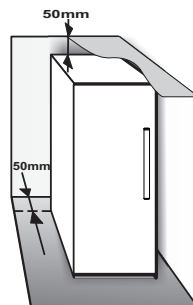
1. INSTALACJA

1.1. INSTALACJA POJEDYNCZEGO URZĄDZENIA

Aby zapewnić odpowiednią wentylację, należy pozostawić trochę miejsca nad i po obu stronach urządzenia.

Odległość pomiędzy tylną częścią urządzenia, a ścianą znajdującą się za nim musi wynosić co najmniej 50 mm.

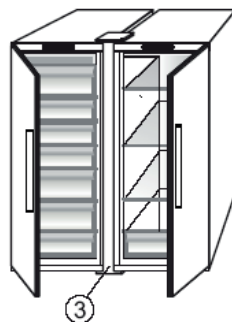
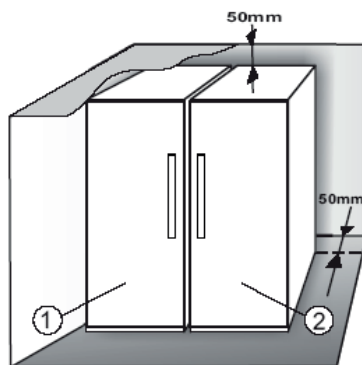
Zmniejszenie tej odległości spowoduje zwiększenie zużycia energii przez produkt.



1.2. INSTALACJA DWÓCH URZĄDZEŃ

Podczas instalacji zamrażarki ① i lodówki ② jednocześnie, umieścić zamrażarkę z lewej strony, a lodówkę z prawej (jak na rysunku). Z lewej strony lodówki znajduje się specjalne urządzenie zapobiegające zjawisku kondensacji pomiędzy urządzeniami.

Zaleca się instalację obu urządzeń przy wykorzystaniu zestawu do montażu łącznego ③ (jak na rysunku). Zestaw dostępny jest w Serwisie.

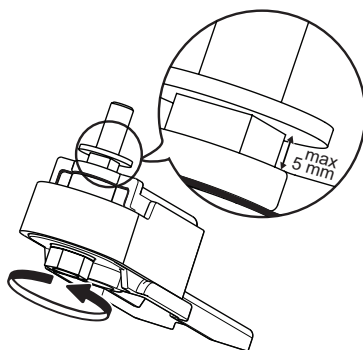


1.3. REGULACJA DRZWI (jeżeli dostępne)

Aby wyważyć drzwi należy użyć dolnego zawiasu (wybrane modele)

Jeżeli drzwi chłodziarki znajdują się poniżej poziomu zamrażarki, należy podnieść drzwi chłodziarki obracając śrubę regulującą w kierunku przeciwnym do ruchu wskazówek zegara za pomocą klucza w rozmiarze M10.

Jeżeli drzwi chłodziarki znajdują się poniżej poziomu zamrażarki, należy podnieść drzwi zamrażarki obracając śrubę regulującą w kierunku przeciwnym do ruchu wskazówek zegara za pomocą klucza w rozmiarze M10.




2. FUNKCJE

2.1. ALARM OTWARTYCH DRZWICZEK

Alarm otwartych drzwiczek uruchamia się, jeżeli drzwi urządzenia pozostają otwarte przez czas dłuższy niż 5 minut. Alarm ma postać migającej kontrolki LED na drzwiach lodówki. Jeżeli drzwi są otwarte przez czas dłuższy niż 8 minut, kontrolka LED na drzwiach gaśnie.

2.2. SZYBKIE SCHŁADZANIE

Użycie tej funkcji jest zalecane, gdy do komory zamrażarki zostanie włożona bardzo duża ilość żywności.

 Za pomocą funkcji Szybkiego schłodzenia można zwiększyć wydajność chłodzenia komory chłodziarki. Aby zwiększyć wydajność chłodzenia należy wcisnąć przycisk wentylatora.

2.3. WENTYLATOR*

Wentylator zapewnia korzystniejszy rozkład temperatur w komorze chłodziarki, a w konsekwencji lepsze warunki przechowywania artykułów spożywczych. Domyślnie wentylator jest włączony. Zaleca się pozostawić wentylator włączony, jeżeli temperatura otoczenia przekracza $27 \pm 28^{\circ}\text{C}$ lub w przypadku zauważenia kropli wody na szklanych półkach lub w przypadku silnego zawilgocenia. Należy pamiętać, że włączony wentylator nie pracuje bez przerwy. Wentylator rozpoczyna/kończy pracę w zależności od temperatury oraz/lub poziomu wilgotności wewnątrz chłodziarki. W związku z tym jest rzeczą całkowicie normalną, że wentylator może się nie obracać, nawet jeśli zostanie włączony.

Aby włączyć lub wyłączyć tę funkcję, należy zapoznać się z treścią Instrukcje szybkiego uruchamiania.

Uwaga:

Nie blokować strumienia powietrza produktami żywnościowymi.

Aby zapewnić odpowiednią wydajność urządzenia w niższych temperaturach (poniżej 18°C) oraz zminimalizować zużycie energii, należy wyłączyć wentylator.

Jeżeli urządzenie jest wyposażone w wentylator, może także posiadać **filtr antybakteryjny**.

Wyjąć filtr z komory umieszczonej w pojemniku / szufladzie i umieścić w pokrywie wentylatora.

Procedura wymiany jest opisana na opakowaniu filtra.

2.4. USTAWIANIE TEMPERATURY

Urządzenie jest ustawione fabrycznie do pracy w zalecanej średniej temperaturze.

W celu uzyskania informacji o temat ustawiania temperatury - patrz: załączona Instrukcja szybkiego uruchamiania.

Uwaga: Wyświetlone punkty odpowiadają średniej temperaturze w całej chłodziarce

2.5. KOMORA SAMOODSZRANIAJĄCA

System samoodszraniania działa w pełni automatycznie.

Krople wody gromadzące się na tylnej ścianie wewnątrz komory chłodziarki oznaczają, że uruchomiła się funkcja samoodszraniania. Woda po zakończeniu procesu jest automatycznie odprowadzona do otworu spustowego i gromadzona w pojemniku, z którego zostaje odparowana.

2.6. OŚWIETLENIE LODÓWKI

W systemie oświetlenia wewnątrz chłodziarki zastosowano diody LED, które zapewniają lepszą widoczność przy jednoczesnym niskim zużyciu energii. Jeśli oświetlenie LED nie działa, należy skontaktować się z serwisem w celu jego wymiany.

Ważne:

Oświetlenie wewnątrz komory chłodziarki włącza się po otwarciu drzwiczek. Jeśli drzwi pozostają otwarte przez ponad 8 minut, oświetlenie jest automatycznie wyłączane.

* Dostępna w wybranych modelach. Sprawdzić w INSTRUKCJI SZYBKIEGO URUCHAMIANIA, czy funkcja jest dostępna w danym modelu.

3. EKSPLOATACJA

3.1. UWAGI

- Nie blokować strefy wylotu powietrza (na tylnej ścianie wewnątrz urządzenia) produktami spożywczymi.
- Wszystkie półki, kłapki oraz wysuwane pojemniki można wyjmować.

- Temperatury wewnątrz urządzenia zależą od temperatury otoczenia, częstotliwości otwierania drzwiczek oraz miejsca, w którym stoi urządzenie. Czynniki te należy uwzględnić podczas ustawiania temperatury.
- O ile nie podano innych informacji, wszystkie akcesoria urządzenia nie mogą być myte w zmywarkach.

4. ZALECENIA DOTYCZĄCE PRZECHOWYWANIA ŻYWNOŚCI

Chłodziarka to idealne miejsce do przechowywania gotowych posiłków, świeżych i konserwowanych produktów spożywczych, wyrobów mlecznych, owoców, warzyw oraz napojów.

4.1. NAWIEW

- Naturalny obieg powietrza w komorze chłodziarki powoduje, że we wnętrzu urządzenia, w zależności od miejsca, panują różne temperatury. Najchłodniejsze miejsce znajduje się bezpośrednio nad pojemnikiem na owoce i warzywa oraz przy tylnej ścianie komory. Najcieplej jest w górnej, przedniej części komory.
- Niewłaściwy poziom nawiewu przyczynia się do wzrostu zużycia energii oraz obniżenia skuteczności chłodzenia.

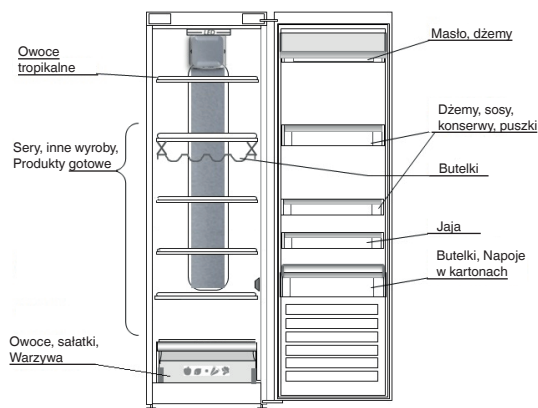
4.2. PRZECHOWYWANIE ŚWIEŻEJ ŻYWNOŚCI I NAPOJÓW

- Używać pojemników wielokrotnego użytku – plastikowych, metalowych, aluminiowych i szklanych lub folii samoprzylegającej.
- Żywność i napoje, które mogą wydzielać lub przyjmować zapachy, należy zawsze przechowywać w zamkniętych pojemnikach lub pod przykryciem.
- Produkty żywnościowe wydzielające duże ilości gazu etylenowego i produkty wrażliwe na ten gaz, takie jak owoce, warzywa, w tym sałaty, należy zawsze umieszczać lub opakowywać osobno, aby zapobiec skracaniu ich terminu przydatności do spożycia; na przykład nie przechowywać pomidorów razem z owocami kiwi lub kapustą.
- Aby zapewnić dostateczną cyrkulację powietrza, nie należy przechowywać artykułów spożywczych zbyt blisko siebie.
- Aby zapobiec przewracaniu się butelek, można umieścić je w specjalnym uchwycie (występuje w wybranych modelach).
- Gdy w chłodziarce przechowywana jest niewielka ilość żywności, zaleca się korzystanie z półek nad pojemnikiem na owoce i warzywa, ponieważ jest to najzimniejszy obszar w komorze.

4.3. PRZECHOWYWANIE ŚWIEŻEJ ŻYWNOŚCI I NAPOJÓW

- Na półkach chłodziarki: gotowe produkty, owoce tropikalne, sery, i inne
- W pojemniku na owoce i warzywa: owoce, sałatki, warzywa.
- Na drzwiach: masło, dżemy, sosy, konserwy, puszki, butelki, kartony z napojami, jaja

PRZYKŁADOWE ROZMIESZCZENIE PRODUKTÓW SPOŻYWCZYCH



5. NORMALNE ODGŁOSY PRACY URZĄDZENIA

Urządzenie wydaje dźwięki ponieważ wyposażone jest w kilka wentylatorów oraz napędów regulujących jego działania, które włączają i wyłączają się automatycznie.

Niektóre odgłosy pracy można jednak zredukować w następujących sposób

- Wyważenie urządzenia raz ustawienie go na równej powierzchni.
- Oddzielenie i unikanie kontaktu urządzenia z meblami.
- Sprawdzenie, czy elementy wewnątrz są odpowiednio rozmieszczone.
- Sprawdzenie, czy butelki i pojemniki nie stykają się ze sobą.

Wybrane odgłosy pracy urządzenia:

Syczenie po włączeniu urządzenia po raz pierwszy lub po dłuższej przerwie.



Bulgotanie, gdy ciecz chłodząca przechodzi do przewodów rurowych.



Odgłos „BRRR” wydawany przez pracującą sprężarkę chłodziarki.



Brzęczenie, gdy zaczyna pracować zawór wody lub wentylator.



Odgłos pęknięcia przy uruchamianiu sprężarki lub kiedy opada kawałek lodu do pojemnika, gwałtowne szybkie kliknięcia, kiedy sprężarka włącza lub wyłącza się.



Odgłos KLIKNIĘCIA wydawany przez termostat, który włącza się za każdym uruchomieniem sprężarki.



6. ZALECENIA W PRZYPADKU AWARII URZĄDZENIA

6.1. NIEOBECNOŚĆ W DOMU / WYJAZD

W przypadku wyjazdu na wakacje, zaleca się usunięcie żywności z lodówki oraz wyłączenie urządzenia, w celu oszczędności energii.

6.2. PRZEPROWADZKA

1. Wyjąć wszystkie wewnętrzne elementy.
2. Owinąć je starannie i przymocować do siebie za pomocą taśmy samoprzylepnej, aby nie obijały się o siebie lub nie zagubiły.
3. Przykręcić regulowane nóżki, aby nie dotykały powierzchni podpory.
4. Zamknąć i przymocować drzwi i kable zasilania urządzenia taśmą samoprzylepną.

6.3. AWARIA ZASILANIA

W przypadku awarii zasilania, należy skontaktować się z zakładem energetycznym i ustalić przewidywany przerwy w dostawie energii.

Uwaga: Warto pamiętać, że zapelniona lodówka utrzymuje niską temperaturę dłużej niż częściowo pusta.

Jeżeli produkt jest niezbyt świeży, lepiej go wyrzucić.

W przypadku braku energii przez okres do 24 h.

1. Nie otwierać drzwi urządzenia. Pozwoli to utrzymać temperaturę produktów możliwie jak najdłużej.

W przypadku braku energii przez okres dłuższy niż 24 h.

1. Postarać się wykorzystać produkty krótkotrwałe.

7. CZYSZCZENIE I KONSERWACJA

Przed przystąpieniem do mycia lub innych czynności konserwacyjnych, odłączyć urządzenie od źródła zasilania lub wyjąć wtyczkę z gniazda.

Okresowo myć urządzenie używając miękkiej szmatki i roztworu ciepłej wody oraz neutralnego detergentu przystosowanego do czyszczenia wnętrza chłodziarek. Nie stosować substancji ściernych. Nie czyścić elementów urządzenia środkami łatwopalnymi. Opary mogą zagrażać pożarem lub wybuchem. Oczyszczyć obudowę urządzenia oraz uszczelnienie drzwi wilgotną szmatką i osuszyć miękką szmatką.

Nie stosować parowych urządzeń do czyszczenia.

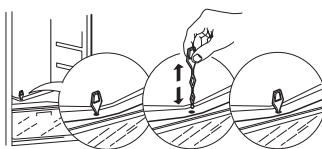
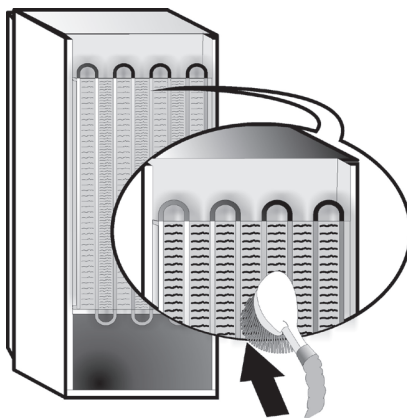
Skrapłacz znajdujący się z tyłu urządzenia należy regularnie czyścić odkurzaczem.

Skrapłacz znajdujący się z tyłu urządzenia należy regularnie czyścić odkurzaczem.

Ważne:

- Nie używać alkoholu lub środków na bazie alkoholu do czyszczenia przycisków oraz kontroli panelu sterowania, używać suchej szmatki w tym celu.
- Przewody układu chłodzenia znajdują się obok panelu odmrażania i mogą nagrzewać się. Czyścić okresowo odkurzaczem.

Aby zapewnić stały i odpowiedni odpływ wody z fazy odszraniania, należy regularnie czyścić wlot otworu odpływu znajdującego się na tylnej ścianie chłodziarki w pobliżu pojemnika na owoce i warzywa używając narzędzia stanowiącego wyposażenie urządzenia.



8. INSTRUKCJA ROZWIĄZYWANIA PROBLEMÓW

8.1. ZANIM SKONTAKTUJESZ SIĘ Z SERWISEM TECHNICZNYM...

Problemy z działaniem urządzenia są często wynikiem drobnych problemów, które można zidentyfikować i usunąć samodzielnie bez konieczności stosowania żadnych narzędzi.

PROBLEM	ROZWIĄZANIE
Urządzenie nie działa:	<ul style="list-style-type: none">• Czy urządzenie zostało podłączone do gniazda zasilania z odpowiednim napięciem?• Czy sprawdzone zostały zabezpieczenia oraz bezpieczniki układu zasilania w domu?
W przypadku nagromadzenia się wody na panelu odszraniania:	<ul style="list-style-type: none">• Zjawisko to jest normalne podczas gorącej i wilgotnej pogody. Pojemnik może być nawet wypełniony do połowy. Sprawdzić, czy urządzenie jest w ustawieniu poziomym, aby woda nie wylewała się.
Jeżeli krawędzie szafy urządzenia, które stykają się z uszczelnieniem drzwi są ciepłe w dotyku:	<ul style="list-style-type: none">• Zjawisko to jest normalne podczas upalnej pogody, jeżeli działa sprężarka.
Jeżeli nie pali się światło:	<ul style="list-style-type: none">• Czy sprawdzone zostały zabezpieczenia oraz bezpieczniki układu zasilania w domu?• Czy urządzenie zostało podłączone do gniazda zasilania z odpowiednim napięciem?• Jeżeli diody LED są uszkodzone, należy wezwać serwis technicznych w celu ich wymiany na kontrolki tego samego typu, które są dostępne wyłącznie w Działach Obsługi Posprzedażowej lub u autoryzowanych dealerów.
Jeżeli silnik uruchamia się zbyt często:	<ul style="list-style-type: none">• Praca silnika uwarunkowana jest różnymi czynnikami: częstotliwość otwierania drzwi, liczba przechowywanych produktów spożywczych, temperatura otoczenia, ustawienia temperatury urządzenia.• Czy skraplacz (z tyłu urządzenia) nie jest zakurzony lub brudny?• Czy drzwi są zamknięte?• Czy uszczelnienia na drzwiach są odpowiednio zamontowane?• W upalne dni lub w przypadku, gdy pomieszczeniu panuje wysoka temperatura, silnik z reguły pracuje dłużej.• Jeżeli drzwi chłodziarki są otwarte przez dłuższą chwilę lub w przypadku przechowywania większej liczby produktów spożywczych silnik będzie uruchamiać się częściej w celu obniżenia temperatury wewnątrz urządzenia.
Jeżeli temperatura urządzenia jest zbyt wysoka:	<ul style="list-style-type: none">• Czy parametry kontrolne są odpowiednio ustawione?• Czy w komorze umieszczono dużą liczbę produktów spożywczych?• Sprawdzić, czy drzwi nie są zbyt często otwierane.• Sprawdzić, czy drzwi zamykają się właściwie.
Jeżeli drzwi nie otwierają się i nie zamykają poprawnie:	<ul style="list-style-type: none">• Sprawdzić, czy opakowania produktów spożywczych nie blokują drzwi.• Sprawdzić, czy wewnętrzne części lub kostkarka do lodu znajdują się w odpowiednim położeniu.• Sprawdzić, czy uszczelnienia drzwi nie są zabrudzone lub przywierają.• Sprawdzić, czy urządzenie jest wypoziomowane.

8.2. AWARIE

W przypadku awarii sygnalizowanej migającą kontrolką LED, wezwać serwis techniczny. Urządzenie działa i chroni przechowywaną w nim żywność.

Uwaga: W przypadku awarii zasilania, urządzenie wraca do normalnego trybu pracy i schładza wnętrze komory do poziomu zgodnego z ustawionymi parametrami.

9. SERWIS TECHNICZNY

Przed kontaktem z serwisem technicznym:

Uruchomić ponownie urządzenie i sprawdzić, czy problem nie został rozwiązany. Jeżeli nie, odłączyć urządzenie od źródła zasilania, odczekać około godzinę i ponownie uruchomić chłodziarkę.

Jeżeli po przeprowadzeniu sprawdzeń kontrolnych opisanych w Instrukcji rozwiązywania problemów i ponownym uruchomieniu urządzenia nie działa ono właściwie, skontaktować się z Serwisem technicznym i zgłosić problem.

Podać następujące informacje:

- model i numer seryjny urządzenia (znajdujący się na płytce znamionowej),
- charakter problemu,

SERVICE 0000 000 00000




- Numer serwisu (numer znajdujący się po słowie SERVICE (SERWIS) na płytce umieszczonej wewnątrz urządzenia),
- pełny adres lokalizacji urządzenia,
- numer telefonu z numerem kierunkowym.

Uwaga:

Kierunek otwierania drzwi można zmienić. Jeżeli operację tę wykona Serwis Techniczny, jest to usługa nieobjęta gwarancją.

CUPRINS

Capitolul 1: INSTALAREA	85
1.1. INSTALAREA UNUI SINGUR APARAT	85
1.2. INSTALAREA A DOUĂ APARATE.....	85
1.3. REGLAREA UȘILOR (dacă este cazul).....	85
Capitolul 2: FUNCȚII	86
2.1. ALARMA DE UȘĂ DESCHISĂ	86
2.2. RĂCIRE RAPIDĂ 	86
2.3. VENTILATORUL*	86
2.4. SETAREA TEMPERATURII.....	86
2.5. COMPARTIMENTUL FRIGIDER CU SISTEM NO-FROST	86
2.6. BECUL DIN INTERIORUL FRIGIDERULUI.....	86
Capitolul 3: UTILIZAREA	87
3.1. NOTE.....	87
Capitolul 4: RECOMANDĂRI PENTRU DEPOZITAREA ALIMENTELOR	87
4.1. CIRCULAȚIA AERULUI	87
4.2. MODUL DE PĂSTRARE A ALIMENTELOR PROASPEȚE ȘI A BĂUTURILOR	87
4.3. LOCUL DE AMPLASARE A ALIMENTELOR PROASPEȚE ȘI A BĂUTURILOR	87
Capitolul 5: SUNETE EMISE LA FUNCȚIONARE	88
Capitolul 6: RECOMANDĂRI ÎN CAZUL NEUTILIZĂRII APARATULUI	89
6.1. ABSENȚĂ / VACANȚĂ.....	89
6.2. MUTARE.....	89
6.3. ÎNTRERUPEREA ALIMENTĂRII CU CURENT ELECTRIC	89
Capitolul 7: ÎNȚREȚINEREA ȘI CURĂȚAREA	89
Capitolul 8: GHID DE REMEDIERE A DEFECȚIUNILOR	90
8.1. ÎNAINTE DE A CONTACTA SERVICIUL DE ASISTENȚĂ TEHNICĂ POST-VÂNZARE	90
8.2. DEFECȚIUNI.....	90
Capitolul 9: SERVICIUL DE ASISTENȚĂ TEHNICĂ POST-VÂNZARE	91
Altele:	
INVERSAREA DIRECȚIEI DE DESCHIDERE A UȘII	132

NOTĂ:

Instrucțiunile sunt valabile pentru mai multe modele, de aceea pot exista diferențe. Secțiunile valabile numai pentru anumite aparate sunt indicate printr-un asterisc (*).

Funcțiile dedicate special modelului de produs pe care l-ați cumpărat pot fi găsite în GHIDUL DE PORNIRE RAPIDĂ.

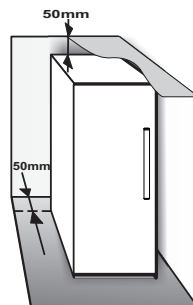
1. INSTALAREA

1.1. INSTALAREA UNUI SINGUR APARAT

Pentru a asigura o ventilare adecvată, lăsați un spațiu liber atât în părțile laterale ale aparatului, cât și deasupra acestuia.

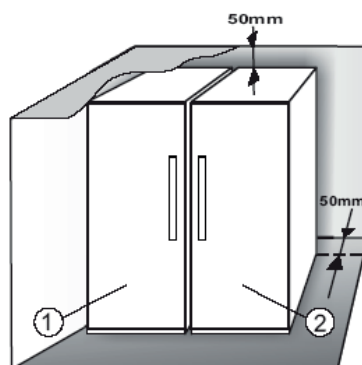
Amplasați aparatul la o distanță de cel puțin 50 mm față de perete.

O distanță mai mică va determina creșterea consumului de energie al produsului.



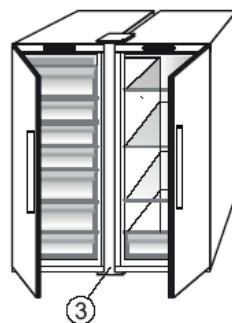
1.2. INSTALAREA A DOUĂ APARATE

Dacă instalați congelatorul ① și frigiderul ② împreună, congelatorul trebuie amplasat în stânga, iar frigiderul în dreapta (așa cum se indică în desen). Partea stângă a frigiderului este echipată cu un dispozitiv special care previne formarea condensului între aparate.



Vă recomandăm să instalați cele două aparate utilizând kitul de cuplare ③ (așa cum se indică în desen).

Acesta se poate cumpăra de la departamentul de service.

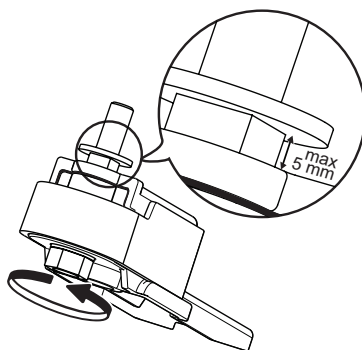


1.3. REGLAREA UȘILOR (dacă este cazul)

Pentru a alinia ușile cu ajutorul balamalei reglabile inferioare (selectare modele)

Dacă ușa frigiderului este mai joasă decât ușa congelatorului, ridicați ușa frigiderului rotind în sens antiorar șurubul de reglare, cu ajutorul unei chei M10.

Dacă ușa congelatorului este mai joasă decât ușa frigiderului, ridicați ușa congelatorului rotind în sens antiorar șurubul de reglare, cu ajutorul unei chei M10.




2. FUNCȚII

2.1. ALARMA DE UȘĂ DESCHISĂ

Alarma de ușa deschisă se activează când ușa rămâne deschisă mai mult de 5 minute. Alarma este indicată prin aprinderea intermitentă a becului cu LED al ușii. Dacă ușa rămâne deschisă mai mult de 8 minute, becul cu LED al ușii se va stinge.

2.2. RĂCIRE RAPIDĂ

Se recomandă să se utilizeze această funcție când se introduc cantități foarte mari de alimente în compartimentul frigider.

Prin utilizarea funcției Răcire rapidă , este posibil să se intensifice răcirea în compartimentul frigider. Pentru a crește la maximum capacitatea de răcire, vă rugăm să lăsați ventilatorul pornit.

2.3. VENTILATORUL*

Ventilatorul îmbunătățește distribuirea temperaturii în interiorul produselor, permițând o conservare mai bună a alimentelor depozitate. Ventilatorul este pornit în mod implicit. Se recomandă ca ventilatorul să fie lăsat pornit pentru ca temperatura ambientală să fie de peste 27 ÷ 28 °C sau dacă observați că pe rafturile din sticlă apar picături de apă ori în condiții de umiditate foarte ridicată. Țineți cont de faptul că, atunci când este pornit, ventilatorul nu va funcționa în continuu. Ventilatorul va porni sau se va opri în funcție de nivelul de temperatură și/sau umiditate din interiorul produsului. Prin urmare, este absolut normal dacă ventilatorul nu se mișcă, chiar dacă acesta este pornit. Pentru a activa sau dezactiva această funcție – consultați Ghidul de pornire rapidă care însoțește aparatul.

Notă:

Nu blocați cu alimente zona de admisie a aerului.

Pentru a asigura o performanță corespunzătoare la o temperatură ambiantă redusă (mai mică de 18°C) și pentru a reduce consumul de energie, opriți ventilatorul.

Dacă aparatul este dotat cu un ventilator, acesta poate fi dotat cu un **filtrul antibacterian**.

Scoateți-l din cutia aflată în sertarul pentru legume și fructe și introduceți-l în capacul ventilatorului. Instrucțiunile de înlocuire se găsesc în caseta filtrului.

2.4. SETAREA TEMPERATURII

În mod normal, aparatul este reglat din fabrică pentru funcționarea la temperatura medie recomandată. Pentru detalii privind setarea temperaturii, consultați Ghidul de pornire rapidă care însoțește aparatul.

Notă: Valorile setate afișate corespund cu temperatura medie din întregul frigider

2.5. COMPARTIMENTUL FRIGIDER CU SISTEM NO-FROST

Dezghețarea compartimentului frigider este complet automată.

Prezența picăturilor de apă pe peretele posterior intern al compartimentului frigider indică desfășurarea fazei de dezghețare automată. Apa rezultată din dezghețare este direcționată automat spre un orificiu de scurgere, apoi este colectată într-un recipient, din care se evaporă.

2.6. BECUL DIN INTERIORUL FRIGIDERULUI

Sistemul de iluminare din interiorul compartimentului frigider utilizează becul cu LED-uri, care permite o iluminare mai bună, precum și un consum de energie foarte scăzut.

Dacă sistemul de iluminat cu LED-uri nu funcționează, vă rugăm să contactați serviciul de asistență tehnică post-vânzare pentru a-l înlocui.

Important:

Becul din compartimentul frigider se aprinde când se deschide ușa frigiderului. Dacă ușa este lăsată deschisă mai mult de 8 minute, becul se va stinge automat.

*Disponibil numai la anumite modele. Vă rugăm să verificați în GHIDUL DE PORNIRE RAPIDĂ dacă această funcție este disponibilă la modelul dumneavoastră.

3. UTILIZAREA

3.1. NOTE

- Nu blocați cu alimente zona de evacuare a aerului (de pe peretele posterior interior al produsului).
- Toate rafturile, capacele rabatabile și sertarele culisante sunt detașabile.

- Temperaturile din interiorul aparatului pot fi afectate de temperatura ambientală, de frecvența cu care se deschide ușa și de locul în care este amplasat aparatul. La setarea temperaturii, trebuie să se țină cont de acești factori.
- Dacă nu se specifică altfel, accesoriile aparatului nu pot fi spălate în mașina de spălat vase.

4. RECOMANDĂRI PENTRU DEPOZITAREA ALIMENTELOR

Frigiderul este locul ideal de depozitare a preparatelor culinare, a alimentelor proaspete și conservate, a produselor lactate, precum și a fructelor, legumelor și băuturilor.

4.1. CIRCULAȚIA AERULUI

- Circulația naturală a aerului împarte compartimentul frigider în mai multe zone cu temperaturi diferite. Zona cu cea mai scăzută temperatură se află chiar deasupra sertarului cu fructe și legume și în apropierea peretelui posterior. Zona cu cea mai ridicată temperatura se află în partea frontală de sus a compartimentului.
- O ventilare insuficientă duce la creșterea consumului de energie și la reducerea performanțelor de răcire.

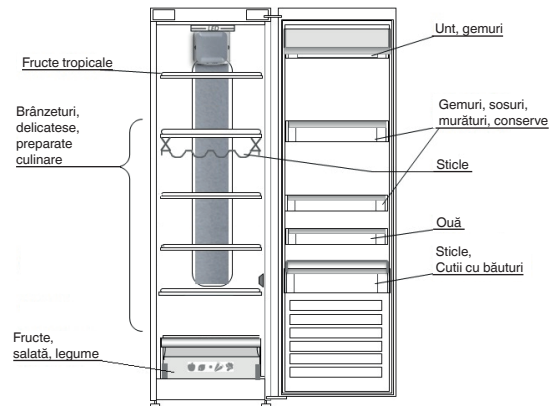
4.2. MODUL DE PĂSTRARE A ALIMENTELOR PROASPEȚE ȘI A BĂUTURILOR

- Folosiți recipiente din plastic reciclabil, metal, aluminiu sau sticlă și folie transparentă pentru a ambala alimentele.
- Pentru lichide și alimentele care degajează miros sau pot prinde miros sau gust, folosiți doar recipiente cu capac sau acoperiți-le.
- Alimentele care produc o cantitate mare de gaz etilenic și cele care sunt sensibile la acest gaz, precum fructele, legumele și salata, trebuie să fie separate întotdeauna sau ambalate pentru a nu se reduce durata de depozitare; de exemplu, nu depozitați roșii împreună cu kiwi sau varză.
- Nu apropiați alimentele prea mult unele de celelalte, pentru a permite circulația corespunzătoare a aerului.
- Pentru a evita răsturnarea sticlelor, folosiți opritorul pentru sticle (disponibil doar la anumite modele).
- Dacă aveți o cantitate mică de alimente de păstrat în frigider, vă recomandăm să folosiți rafturile de deasupra sertarului pentru fructe și legume, având în vedere că aceasta este zona cea mai rece din compartiment.

4.3. LOCUL DE AMPLASARE A ALIMENTELOR PROASPEȚE ȘI A BĂUTURILOR

- Pe rafturile frigiderului: preparate culinare, fructe tropicale, brânzeturi, delicatese.
- În sertarul pentru fructe și legume: fructe, salată, legume.
- Pe ușa: unt, gemuri, sosuri, murături, conserve, sticle, băuturi în cutii de carton, ouă

EXEMPLU DE AMPLASARE A ALIMENTELOR



5. SUNETE EMISE LA FUNCȚIONARE

Sunetele produse de aparat sunt normale, întrucât acesta este prevăzut cu o serie de ventilatoare și motoare care reglează funcționarea și pornesc, respectiv se opresc în mod automat.

Unele sunete emise la funcționare pot fi reduse

- Așezând aparatul perfect orizontal și instalându-l pe o suprafață plană.
- Așezând aparatul la distanță de mobilă, evitând contactul dintre aparat și mobilă.
- Verificând amplasarea corectă a componentelor interne.
- Verificând ca sticlele și recipientele să nu se atingă între ele.

Câteva sunete emise la funcționare pe care le puteți auzi:

Șuierături la pornirea aparatului pentru prima dată sau după o pauză lungă.



Un clipocit când lichidul de răcire intră în conducte.



Zbârnâitul este produs în timpul funcționării compresorului.



Bâzâituri când supapa de apă sau ventilatorul încep să funcționeze.



Pocnituri când compresorul pornește sau când cuburile de gheață cad în recipient, țâcănituri bruște când compresorul pornește și se oprește.



Sunetul asemănător unui clic este produs de termostatul care reglează funcționarea compresorului.



6. RECOMANDĂRI ÎN CAZUL NEUTILIZĂRII APARATULUI

6.1. ABSENȚĂ / VACANȚĂ

Dacă plecați în vacanță, se recomandă să consumați alimentele și să deconectați aparatul pentru a economisi energie.

6.2. MUTARE

1. Scoateți toate componentele interne detașabile.
2. Ambalați-le bine și fixați-le cu bandă adezivă pentru a nu se pierde sau lovi între ele.
3. Înșurubați piciorușele reglabile astfel încât să nu atingă suprafața de sprijin.
4. Închideți și fixați cu bandă adezivă ușa, apoi fixați cablul de alimentare de aparat, tot cu bandă adezivă.

6.3. ÎNTRERUPEREA ALIMENTĂRII CU CURENT ELECTRIC

În cazul unei căderi de curent, sunați la biroul local al companiei de furnizare a energiei electrice și întrebați cât va dura întreruperea.

Notă: Rețineți că un aparat plin va rămâne rece mai mult timp decât unul parțial plin.

Dacă alimentele nu sunt în stare bună, este mai bine să le aruncați.

În cazul unei căderi de curent de maximum 24 de ore.

1. Țineți închisă ușa aparatului. Astfel, alimentele din interior vor rămâne reci cât mai mult timp posibil.

În cazul unei întreruperi a alimentării cu curent electric care durează mai mult de 24 de ore.

1. Încercați să consumați alimentele cele mai perisabile.

7. ÎNTREȚINEREA ȘI CURĂȚAREA

Înainte de a efectua orice operație de curățare sau de întreținere, scoateți aparatul din priză sau deconectați alimentarea cu energie electrică.

Curățați periodic aparatul cu o cârpă și cu o soluție de apă caldă și detergent neutru special pentru curățarea interiorului frigiderului. Nu folosiți niciodată substanțe abrazive. Nu curățați niciodată cu lichide inflamabile componentele frigiderului. Vaporii eliberați pot produce incendii sau explozii. Curățați exteriorul aparatului și garnitura ușii cu o lavetă umedă și ștergeți cu o lavetă moale. Nu utilizați aparate de curățare cu aburi.

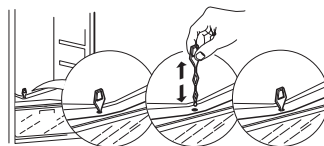
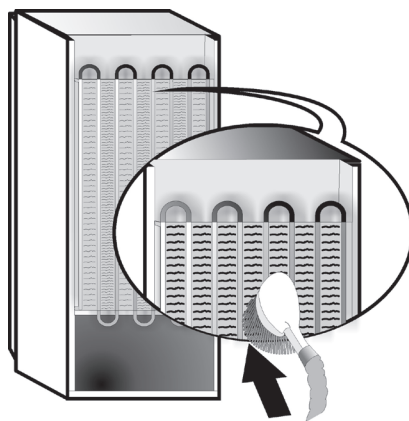
Condensatorul de pe partea din spate a aparatului trebuie curățat periodic cu aspiratorul.

Condensatorul de pe partea din spate a aparatului trebuie curățat periodic cu aspiratorul.

Important:

- Butoanele și afișajul panoului de comandă nu trebuie să fie curățate cu substanțe alcoolice sau derivate, ci cu o lavetă uscată.
- Conductele sistemului de refrigerare se află lângă tăvița pentru decongelare și pot deveni fierbinți. Curățați-le periodic cu un aspirator.

Pentru a asigura scurgerea constantă și corectă a apei rezultate din dezghețare, curățați periodic interiorul orificiului de scurgere, situat pe peretele posterior al frigiderului, lângă sertarul pentru legume și fructe, folosind instrumentul din dotare.



8. GHID DE REMEDIERE A DEFECȚIUNILOR

8.1. ÎNAINTE DE A CONTACTA SERVICIUL DE ASISTENȚĂ TEHNICĂ POST-VÂNZARE...

Problemele de funcționare se datorează adesea unor cauze banale, pe care le puteți identifica și rezolva singuri, fără a fi nevoie să folosiți vreun instrument.

PROBLEMĂ	SOLUȚIE
Aparatul nu funcționează:	<ul style="list-style-type: none">• Ștecherul cablului de alimentare este introdus într-o priză funcțională cu tensiune corespunzătoare?• Ați verificat dispozitivele de protecție și siguranțele sistemului electric din locuința dumneavoastră?
Dacă există apă în tăvița pentru decongelare:	<ul style="list-style-type: none">• Acest lucru este normal pe vreme călduroasă și umedă. Este posibil ca tăvița să se umple până la jumătate. Verificați ca aparatul să fie perfect orizontal, astfel încât apa să nu dea pe dinafară.
Dacă marginile aparatului, care vin în contact cu garnitura ușii, sunt calde la atingere:	<ul style="list-style-type: none">• Acest lucru este normal pe vreme călduroasă și atunci când compresorul este în funcțiune.
Dacă becul nu funcționează:	<ul style="list-style-type: none">• Ați verificat dispozitivele de protecție și siguranțele sistemului electric din locuința dumneavoastră?• Ștecherul cablului de alimentare este introdus într-o priză funcțională cu tensiune corespunzătoare?• Dacă LED-urile sunt defecte, utilizatorul trebuie să solicite departamentului de service înlocuirea acestora cu LED-uri de același tip, disponibile numai la centrele noastre de asistență tehnică post-vânzare sau la distribuitorii autorizați.
Dacă vi se pare că motorul funcționează prea mult:	<ul style="list-style-type: none">• Timpul de funcționare a motorului depinde de diferiți factori: cât de des se deschide ușa, cantitatea de alimente păstrate, temperatura din încăpere, setările butoanelor de comandă a temperaturii.• Condensatorul (din partea din spate a aparatului) este curat, fără praf și scame?• Ușa este închisă corespunzător?• Garniturile ușii sunt fixate corespunzător?• În zilele călduroase sau dacă este cald în încăpere, este normal ca motorul să funcționeze un timp mai îndelungat.• Dacă ușa aparatului a rămas deschisă mai mult timp sau dacă au fost introduse cantități mari de alimente, motorul va funcționa un timp mai îndelungat pentru a răci interiorul aparatului.
Dacă temperatura aparatului este prea ridicată:	<ul style="list-style-type: none">• Butoanele de comandă ale aparatului sunt reglate corect?• A fost introdusă o cantitate mare de alimente în interiorul aparatului?• Aveți grijă ca ușa să nu fie deschisă prea des.• Asigurați-vă că ușa se închide corespunzător.
Dacă ușile nu se deschid și nu se închid corespunzător:	<ul style="list-style-type: none">• Aveți grijă ca pachetele cu alimente să nu blocheze ușa.• Verificați dacă dispozitivul automat de produs gheață sau componentele interne sunt în poziție corespunzătoare.• Aveți grijă ca garniturile ușii să nu fie murdare sau lipicioase.• Asigurați-vă că aparatul este în poziție perfect orizontală.

8.2. DEFECȚIUNI

Dacă apare o defecțiune sau indicatoarele cu LED-uri încep să clipească, este necesar să contactați centrul de service. Aparatul va continua să funcționeze, păstrând starea oprimă a alimentelor depozitate.

Notă: În cazul unei întreruperi a alimentării cu curent electric, aparatul va reveni la modul normal de funcționare, iar temperatura setată anterior va fi restabilită.

9. SERVICIUL DE ASISTENȚĂ TEHNICĂ POST-VÂNZARE

Înainte de a contacta serviciul de asistență tehnică post-vânzare:

Porniți aparatul din nou pentru a verifica dacă problema s-a remediat. Dacă nu s-a remediat, deconectați aparatul de la rețeaua de alimentare cu energie electrică și așteptați o oră înainte de a-l reporni. În cazul în care, după efectuarea verificărilor descrise în Ghidul de remediere a defecțiunilor și repornire, aparatul tot nu funcționează corect, contactați serviciul de asistență tehnică post-vânzare și explicați care este problema.

Specificați:

- modelul și numărul de serie al aparatului (indicate pe plăcuța cu date tehnice),
- natura problemei,

SERVICE 0000 000 00000



- numărul de service (numărul care apare după cuvântul **SERVICE** pe plăcuța cu date tehnice din interiorul aparatului),
- adresa dumneavoastră completă,
- numărul dumneavoastră de telefon și prefixul.

Notă:

Direcția de deschidere a ușii poate fi modificată. Dacă operația este efectuată de reprezentanții serviciului de asistență tehnică post-vânzare, aceasta nu este acoperită de garanție.

УКАЗАТЕЛЬ

Глава 1: УСТАНОВКА	93
1.1. УСТАНОВКА ОДНОГО ПРИБОРА.....	93
1.2. УСТАНОВКА ДВУХ ПРИБОРОВ	93
1.3. РЕГУЛИРОВКА ДВЕРЕЙ (при наличии)	93
Глава 2: ФУНКЦИИ	94
2.1. СИГНАЛ ОТКРЫТОЙ ДВЕРЦЫ	94
2.2. БЫСТРОЕ ОХЛАЖДЕНИЕ ™	94
2.3. ВЕНТИЛЯТОР*	94
2.4. УСТАНОВКА ТЕМПЕРАТУРЫ	94
2.5. ХОЛОДИЛЬНОЕ ОТДЕЛЕНИЕ С СИСТЕМОЙ NO-FROST	94
2.6. ОСВЕЩЕНИЕ ХОЛОДИЛЬНИКА	94
Глава 3: ЭКСПЛУАТАЦИЯ	95
3.1. ПРИМЕЧАНИЯ.....	95
Глава 4: СОВЕТЫ ПО ХРАНЕНИЮ ПРОДУКТОВ.....	95
4.1. ВЕНТИЛЯЦИЯ	95
4.2. ХРАНЕНИЕ СВЕЖИХ ПРОДУКТОВ И НАПИТКОВ	95
4.3. ГДЕ ХРАНИТЬ СВЕЖИЕ ПРОДУКТЫ И НАПИТКИ.....	95
Глава 5: ЗВУКИ ПРИ РАБОТЕ ПРИБОРА.....	96
Глава 6: ЕСЛИ ПРИБОР ДОЛГО НЕ ИСПОЛЬЗУЕТСЯ	97
6.1. ДЛИТЕЛЬНОЕ ОТСУТСТВИЕ / ОТПУСК	97
6.2. ПЕРЕЕЗД	97
6.3. ОТКЛЮЧЕНИЕ ЭЛЕКТРИЧЕСТВА.....	97
Глава 7: ЧИСТКА И УХОД.....	97
Глава 8: ПОИСК И УСТРАНЕНИЕ НЕИСПРАВНОСТЕЙ.....	98
8.1. ПРЕЖДЕ ЧЕМ ОБРАЩАТЬСЯ В СЕРВИСНЫЙ ЦЕНТР... ..	98
8.2. НЕИСПРАВНОСТИ.....	98
Глава 9: СЕРВИС	99
Прочее:	
ПЕРЕНАВЕШИВАНИЕ ДВЕРЦЫ.....	132

ПРИМЕЧАНИЕ:

Эти инструкции применимы к нескольким моделям, в связи с чем возможны некоторые различия. Разделы, применимые только к определенным моделям, отмечены звездочкой (*). Функции, предусмотренные в приобретенной вами модели, можно найти в КРАТКОМ СПРАВОЧНОМ РУКОВОДСТВЕ.

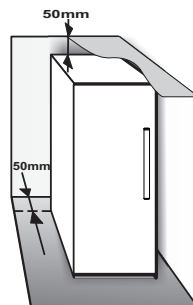
1. УСТАНОВКА

1.1. УСТАНОВКА ОДНОГО ПРИБОРА

Для обеспечения надлежащей вентиляции оставьте свободное место с обеих боковых сторон и над прибором.

Расстояние от задней стороны прибора до стены должно составлять не менее 50 мм.

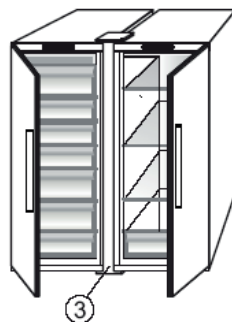
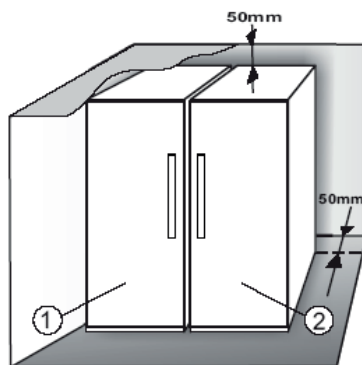
Уменьшение этого расстояния ведет к росту энергопотребления прибора.



1.2. УСТАНОВКА ДВУХ ПРИБОРОВ

При совместной установке морозильника и ① холодильника ② морозильник должен быть установлен слева, а холодильник – справа (как показано на рисунке). С левой стороны холодильника находится специальное устройство, предотвращающее конденсацию влаги в промежутке между обоими приборами.

Мы рекомендуем устанавливать оба прибора с применением комплекта соединительных элементов ③ (как показано на рисунке). Набор вы можете приобрести в сервисном центре.

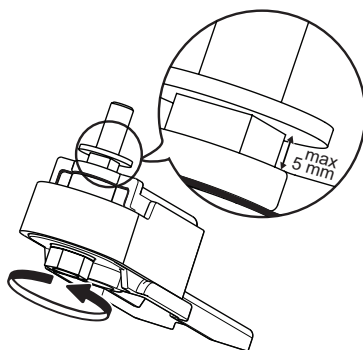


1.3. РЕГУЛИРОВКА ДВЕРЕЙ (при наличии)

Выравнивание дверей при помощи регулируемой нижней петли
(в отдельных моделях)

Если дверца холодильника ниже уровня дверцы морозильника, поднимите дверцу холодильника, повернув регулировочный винт против часовой стрелки ключом M10.

Если дверца морозильника ниже уровня дверцы холодильника, поднимите дверцу морозильника, повернув регулировочный винт против часовой стрелки ключом M10.




2. ФУНКЦИИ

2.1. СИГНАЛ ОТКРЫТОЙ ДВЕРЦЫ

Сигнал активируется, если дверца остается открытой дольше 5 минут. Сигнал сопровождается миганием светодиодной подсветки дверцы. Если дверца открыта дольше 8 минут, свет гаснет автоматически.

2.2. БЫСТРОЕ ОХЛАЖДЕНИЕ

Использование этой функции рекомендовано в том случае, если в холодильное отделение было помещено очень большое количество продуктов.

Использование функции Быстрого охлаждения  позволяет улучшить охлаждение в холодильной камере. Для улучшения охлаждения включите вентилятор.

2.3. ВЕНТИЛЯТОР*

Вентилятор улучшает распределение температуры внутри холодильного отделения, обеспечивая лучшую сохранность продуктов. По умолчанию вентилятор включен. Рекомендуется держать вентилятор включенным, когда температура воздуха в помещении превышает 27 - 28°C, или если на стеклянных полках видны капли воды, или в условиях сильной влажности. Обратите внимание: включенный вентилятор работает с перерывами. Вентилятор включается и выключается в зависимости от температуры и влажности внутри прибора. Если включенный вентилятор не вращается, это вполне нормально и не свидетельствует о неисправности. Чтобы активировать или деактивировать ее, см. прилагаемое Краткое справочное руководство.

Примечание:

Не загромождайте продуктами зону, в которой происходит забор воздуха.

Для обеспечения хорошей работы прибора при низкой температуре окружающей среды (ниже 18°C) и минимизации потребления энергии следует выключать вентилятор.

Если в приборе предусмотрен вентилятор, то он может быть снабжен **антибактериальным фильтром**.

Выньте фильтр из коробки, находящейся в ящике для овощей и фруктов и вставьте в крышку вентилятора.

Процедура замены описана в инструкции, вложенной в коробку фильтра.

2.4. УСТАНОВКА ТЕМПЕРАТУРЫ

Прибор настраивается на заводе на рекомендуемую среднюю температуру. Подробное описание настроек температуры см. прилагаемое Краткое справочное руководство.

Примечание: Указываемые настройки соответствуют средней температуре по всему холодильнику

2.5. ХОЛОДИЛЬНОЕ ОТДЕЛЕНИЕ С СИСТЕМОЙ NO-FROST

Размораживание холодильного отделения происходит полностью автоматически. Появление капель воды на задней стенке холодильного отделения указывает на процесс автоматического размораживания. Талая вода стекает через сливное отверстие в специальную емкость и затем испаряется.

2.6. ОСВЕЩЕНИЕ ХОЛОДИЛЬНИКА

Для освещения холодильного отделения используется светодиодная система, обеспечивающая более качественное освещение при очень низком энергопотреблении. Если светодиодная система не работает, обратитесь в Сервис для ее замены.

Важно:

Освещение холодильного отделения включается при открывании дверцы холодильника. Если дверца остается открытой более 8 минут, свет гаснет автоматически.

* Только в определенных моделях. Проверьте в КРАТКОМ СПРАВОЧНОМ РУКОВОДСТВЕ, имеется ли эта функция в вашей модели.

3. ЭКСПЛУАТАЦИЯ

3.1. ПРИМЕЧАНИЯ

- Не блокируйте продуктами выходные вентиляционные отверстия (на тыльной внутренней стенке).
- Все полки, клапаны и корзины можно вынуть.

- На температуру внутри прибора может влиять температура в помещении, частота открывания дверцы и место установки прибора. При настройке температуры следует учитывать эти факторы.
- Если не указано иного, принадлежности прибора не подлежат мойке в посудомоечной машине.

4. СОВЕТЫ ПО ХРАНЕНИЮ ПРОДУКТОВ

Холодильное отделение идеально подходит для хранения готовых блюд, свежих продуктов и охлажденных полуфабрикатов, молочных продуктов, овощей, фруктов и напитков.

4.1. ВЕНТИЛЯЦИЯ

- Благодаря естественной циркуляции воздуха в холодильном отделении устанавливаются зоны с различной температурой. Самая холодная зона находится непосредственно над ящиком для овощей и фруктов и вблизи задней стенки. Самая теплая зона находится в верхней части отделения.
- При недостаточной вентиляции потребление электроэнергии повышается, а эффективность охлаждения снижается.

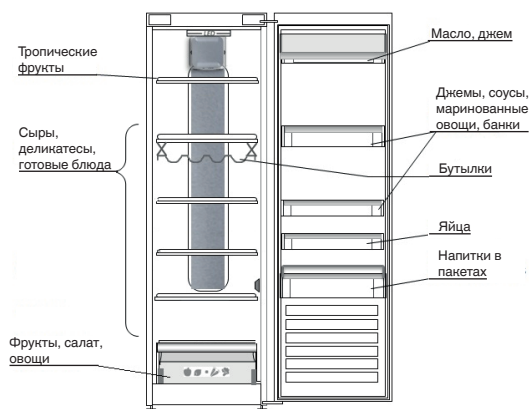
4.2. ХРАНЕНИЕ СВЕЖИХ ПРОДУКТОВ И НАПИТКОВ

- Укладывайте продукты в подлежащие рециклингу пластиковые, металлические, алюминиевые и стеклянные емкости или пленку.
- Жидкости и продукты с резким запахом всегда храните в закрытых емкостях.
- Для увеличения срока хранения продукты, выделяющие большое количество этилена, а также продукты, восприимчивые к этому газу, такие как фрукты, овощи и салаты, должны храниться отдельно или в пищевой пленке; Например, не храните помидоры вместе с киви или капустой.
- Не укладывайте продукты слишком плотно, чтобы не препятствовать циркуляции воздуха.
- Во избежание падения бутылок используйте для их хранения держатель для бутылок (в определенных моделях).
- Если у вас мало продуктов, мы рекомендуем хранить их на полках над ящиком для фруктов и овощей: это самое холодное место в холодильной камере.

4.3. ГДЕ ХРАНИТЬ СВЕЖИЕ ПРОДУКТЫ И НАПИТКИ

- На полках холодильного отделения: готовые блюда, тропические фрукты, сыры.
- В ящике для овощей и фруктов: фрукты, салаты, овощи.
- На дверце: сливочное масло, варенье, соусы, соленья, банки, бутылки и пакеты с напитками, яйца

ПРИМЕР РАЗМЕЩЕНИЯ ПРОДУКТОВ



5. ЗВУКИ ПРИ РАБОТЕ ПРИБОРА

В процессе обычной работы прибор может издавать различные звуки. Это обусловлено наличием вентиляторов и электродвигателей, включающихся и выключающихся автоматически.

Интенсивность некоторых звуков можно уменьшить за счет:

- Установки прибора в строго горизонтальной позиции на твердой поверхности.
- Соблюдения промежутка между прибором и предметами мебели.
- Правильного расположения внутренних компонентов.
- Установки бутылок и емкостей с продуктами на расстоянии друг от друга.

Вот некоторые звуки, которые может издавать работающий прибор:

Свистящий звук при включении прибора впервые или после длительного перерыва.



Булькающий звук во время заполнения трубок хладагентом.



Тарахтение работающего компрессора.



Жужжащий звук, сопровождающий начало работы вентилятора или водяного клапана.



Треск, сопровождающий начало работы компрессора или падение кубиков льда в приёмную ёмкость; резкие щелчки в момент включения или выключения компрессора.



Щелчки термостата, регулирующего частоту пусков компрессора.



6. ЕСЛИ ПРИБОР ДОЛГО НЕ ИСПОЛЬЗУЕТСЯ

6.1. ДЛИТЕЛЬНОЕ ОТСУТСТВИЕ / ОТПУСК

В случае отпуска рекомендуется опорожнить холодильник и отключить его в целях экономии электроэнергии.

6.2. ПЕРЕЕЗД

1. Выньте все внутренние элементы.
2. Оберните их пленкой и скрепите скотчем так, чтобы они не гремели и не могли потеряться в дороге.
3. Закрутите регулируемые ножки так, чтобы они не касались пола.
4. Закройте дверцу и зафиксируйте ее скотчем, также зафиксируйте сетевой шнур.

6.3. ОТКЛЮЧЕНИЕ ЭЛЕКТРИЧЕСТВА

В случае отключения электричества позвоните в местную электросетевую компанию и уточните, как долго продлится отключение.

Примечание: Заполненный продуктами холодильник сохраняет холод дольше, чем полупустой.

Продукты, находящиеся в плохом состоянии, лучше выбросить.

Если отключение продлится менее 24 часов.

1. Держите дверцу холодильника закрытой. Это позволит дольше сохранить продукты в охлажденном виде.

Если отключение продлится более 24 часов.

1. Постарайтесь использовать продукты, которые могут быстрее испортиться.

7. ЧИСТКА И УХОД

Перед выполнением любых операций по чистке или уходу отсоедините прибор от электрической сети. Регулярно выполняйте чистку прибора, пользуясь тряпкой, смоченной в растворе теплой воды с нейтральным чистящим средством, специально предназначенным для чистки внутренних поверхностей холодильников. Не применяйте абразивные средства. Не используйте воспламеняющиеся жидкости для очистки элементов холодильника. Их пары могут создавать пожарную опасность. Выполняйте чистку наружных поверхностей прибора и уплотнительной прокладки дверцы влажной салфеткой, после чего протирайте их сухой салфеткой.

Не используйте пароочистители.

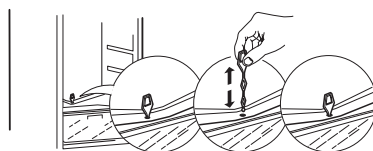
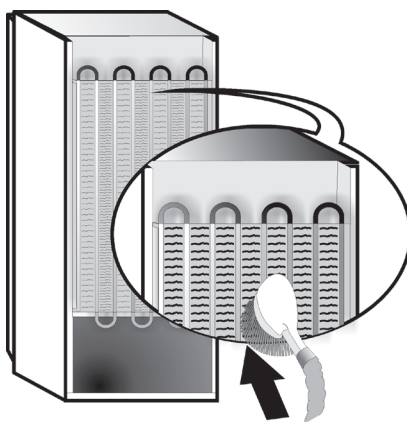
Конденсатор с тыльной стороны прибора следует регулярно чистить пылесосом.

Конденсатор с тыльной стороны прибора следует регулярно чистить пылесосом.

Важно:

- Кнопки и дисплей панели управления нельзя чистить спиртом или спиртосодержащими жидкостями: их необходимо только протирать сухой салфеткой.
- Трубки холодильной системы располагаются вблизи размораживающего обогревателя и могут нагреваться. Регулярно очищайте их пылесосом.

В целях обеспечения надлежащего постоянного стока талой воды регулярно прочищайте сливное отверстие на задней стенке холодильной камеры около ящика для фруктов и овощей с помощью прилагаемого инструмента.



8. ПОИСК И УСТРАНЕНИЕ НЕИСПРАВНОСТЕЙ

8.1. ПРЕЖДЕ ЧЕМ ОБРАЩАТЬСЯ В СЕРВИСНЫЙ ЦЕНТР...

Небольшие неполадки в работе прибора зачастую можно устранить самостоятельно без использования каких-либо инструментов.

НЕИСПРАВНОСТЬ	СПОСОБ УСТРАНЕНИЯ
Прибор не работает	<ul style="list-style-type: none">• Убедитесь, что прибор включен в розетку электрической сети с правильным напряжением.• Проверьте защитные устройства и электрические предохранители в вашей квартире.
Если в лотке размораживающего устройства накопилась вода:	<ul style="list-style-type: none">• Это нормально в жаркую влажную погоду. Поддон может наполниться даже до половины. Убедитесь, что прибор установлен строго горизонтально: это предотвратит выливание воды из лотка.
Если края корпуса, находящиеся в контакте с уплотнительной прокладкой дверцы, нагреваются:	<ul style="list-style-type: none">• Это нормально в жаркую погоду и когда работает компрессор.
Не работает внутреннее освещение:	<ul style="list-style-type: none">• Проверьте защитные устройства и электрические предохранители в вашей квартире.• Убедитесь, что прибор включен в розетку электрической сети с правильным напряжением.• Если не работают светодиоды, пользователю следует обратиться в сервисный центр, поскольку светодиоды того же типа можно получить только в сервисных центрах или у авторизованных дилеров.
Если создается впечатление, что двигатель работает чересчур долго:	<ul style="list-style-type: none">• Длительность работы двигателя зависит от ряда факторов: частота открывания дверцы, количество продуктов, температура воздуха в помещении, установленное значение температуры.• Проверьте, не накопились ли пыль и грязь на конденсаторе (с тыльной стороны прибора).• Проверьте, хорошо ли закрыта дверца.• Проверьте, в порядке ли уплотнительные прокладки дверцы.• В жаркие дни или если в помещении жарко, двигатель обычно работает дольше.• Если дверца прибора долго оставалась открытой или если в холодильнике хранится большое количество продуктов, двигатель будет работать дольше с целью охлаждения камеры прибора.
Если в камере слишком высокая температура:	<ul style="list-style-type: none">• Проверьте, правильно ли настроена температура.• Не было ли вложено в прибор большое количество продуктов?• Убедитесь, что дверца не открывается слишком часто.• Убедитесь, что дверца плотно закрыта.
Если дверца плохо открывается и закрывается:	<ul style="list-style-type: none">• Убедитесь, что продукты не блокируют дверцу.• Убедитесь, что автоматическое устройство для приготовления кубиков льда находится точно на своем месте.• Убедитесь, что уплотнительная прокладка дверцы не запачкана и не заливает.• Убедитесь, что прибор установлен строго горизонтально.

8.2. НЕИСПРАВНОСТИ

Если в случае какой-либо неполадки начинает мигать светодиодный индикатор, необходимо обратиться в сервисный центр. Прибор будет обеспечивать оптимальные условия хранения продуктов.

Примечание: после сбоя в электросети прибор возвратится к нормальному режиму работы и установленным ранее температурным настройкам.

9. СЕРВИС

Прежде чем обращаться в сервис:

Выключите прибор и снова включите его, чтобы проверить, устранена ли неисправность. Если проблема сохраняется, отключите прибор от сети питания и выждите приблизительно час, прежде чем снова включить его.

Если попытка устранить неисправность самостоятельно, следуя указаниям, приведенным в разделе "Поиск и устранение неисправностей" не удалась и прибор после включения все равно не работает как следует, обратитесь в сервисный центр и объясните суть проблемы.

Укажите:

- модель и серийный номер прибора (указан на паспортной табличке);
- характер неисправности;

SERVICE 0000 000 00000




- сервисный номер (число после слова SERVICE на паспортной табличке на нижней стороне прибора (на металлической пластинке));
- ваш полный адрес;
- номер телефона и код города.

Примечание:

Дверцу прибора можно перевесить на другую сторону. Стоимость данной операции не покрывается гарантией, в том числе, когда она выполняется Сервисным центром.

OBSAH

Kapitola 1: INŠTALÁCIA	101
1.1. INŠTALOVANIE JEDNÉHO SPOTREBIČA	101
1.2. INŠTALOVANIE DVOCH SPOTREBIČOV	101
1.3. ÚPRAVA DVERÍ (Ak je možná).....	101
Kapitola 2: FUNKCIE	102
2.1. ALARM OTVORENÝCH DVERÍ	102
2.2. RÝCHLE CHLADENIE 	102
2.3. VENTILÁTOR*.....	102
2.4. NASTAVENIE TEPLoty	102
2.5. SAMOODMRAZOVACÍ CHLADIACI PRIESTOR.....	102
2.6. OSVETLENIE CHLADNIČKY	102
Kapitola 3: POUŽÍVANIE	103
3.1. POZNÁMKY	103
Kapitola 4: TIPY NA USKLADNENIE POTRAVÍN	103
4.1. VETRANIE.....	103
4.2. AKO USKLADŇOVAŤ ČERSTVÉ POTRAVINY A NÁPOJE.....	103
4.3. KDE USKLADŇOVAŤ ČERSTVÉ POTRAVINY A NÁPOJE.....	103
Kapitola 5: FUNKČNÉ ZVUKY	104
Kapitola 6: ODPORÚČANIA V PRÍPADE NEPOUŽÍVANIA SPOTREBIČA	105
6.1. NEPRÍTOMNOSŤ / DOVOLENKA	105
6.2. SŤAHOVANIE.....	105
6.3. VÝPADOK PRÚDU	105
Kapitola 7: ÚDRŽBA A ČISTENIE	105
Kapitola 8: NÁVOD NA ODSTRANOVANIE PORÚCH	106
8.1. PRV NEŽ SA OBRÁTITE NA POPREDAJNÝ SERVIS.....	106
8.2. PORUCHY	106
Kapitola 9: POPREDAJNÝ SERVIS	107
Iné:	
OPAČNÉ OTVÁRANIE DVERÍ.....	132

POZNÁMKA:

Pokyny platia pre niekoľko modelov, takže sa môžu vyskytovať rozdiely. Časti, ktoré platia iba pre určité spotrebiče, sú označené hviezdíčkou (*).

Funkcie určené špeciálne pre model, ktorý ste si kúpili, nájdete v NÁVODE NA RÝCHLE SPUSTENIE.

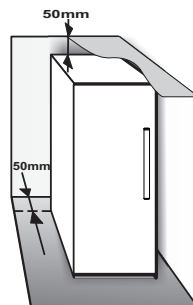
1. INŠTALÁCIA

1.1. INŠTALOVANIE JEDNÉHO SPOTREBIČA

Aby ste zabezpečili dostatočné vetranie, na oboch stranách spotrebiča a nad ním ponechajte voľné miesto.

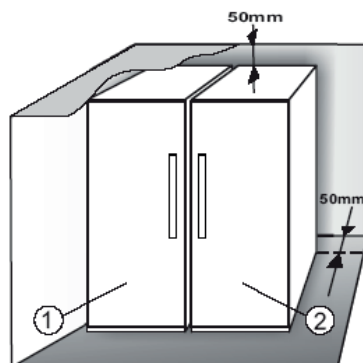
Vzdialenosť medzi zadnou stranou spotrebiča a stenou za spotrebičom by mala byť najmenej 50 mm.

Pri menšej vzdialenosti sa zvýši spotreba energie.

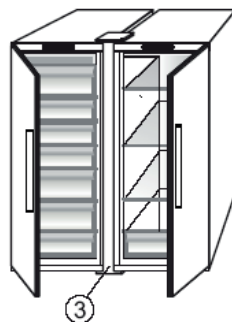


1.2. INŠTALOVANIE DVOCH SPOTREBIČOV

Pri spoločnej inštalácii mrazničky ① a chladničky ② zabezpečte, aby sa mraznička nachádzala vľavo a chladnička vpravo (ako je znázornené na obrázku). Ľavá strana chladničky je vybavená špeciálnym zariadením, aby sa vyhlo problému s kondenzáciou medzi spotrebičmi.



Odporúčame inštalovať oba spotrebiče spolu pomocou spojovacej súpravy ③ (ako je znázornené na obrázku). Môžete si ju kúpiť v servise.

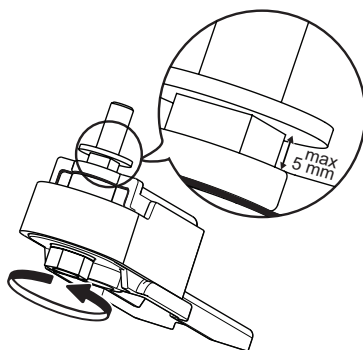


1.3. ÚPRAVA DVERÍ (Ak je možná)

Vyrovnanie dverí pomocou nastaviteľného spodného pántu
(vyberte modely)

Ak sú dvere chladničky nižšie ako dvere mrazničky, zdvihnite dvere chladničky otáčaním nastavovacej skrutky proti smeru hodinových ručičiek pomocou kľúča M10.

Ak sú dvere mrazničky nižšie ako dvere chladničky, zdvihnite dvere mrazničky otáčaním nastavovacej skrutky proti smeru hodinových ručičiek pomocou kľúča M10.




2. FUNKCIE

2.1. ALARM OTVORENÝCH DVERÍ

Alarm otvorených dverí sa aktivuje, keď dvere zostanú otvorené viac ako 5 minút. Alarm upozorňuje blikaním LED svetielka na dverách. Ak dvere zostanú otvorené viac ako 8 minút, LED svetielko na dverách sa vypne.

2.2. RÝCHLE CHLADENIE

Použitie tejto funkcie sa odporúča pri vložení veľmi veľkého množstva potravín do chladiaceho priestoru.

Pomocou funkcie Rýchle chladenie  je možné zvýšiť chladiacu kapacitu v priestore chladničky. Ak chcete dosiahnuť maximálnu chladiacu kapacitu, nechajte ventilátor zapnutý.

2.3. VENTILÁTOR*

Ventilátor zlepšuje rozloženie teploty vnútri spotrebiča, čím umožňuje lepšie uchovať skladované potraviny. Pri pôvodnom nastavení je ventilátor zapnutý. Odporúča sa nechať ventilátor zapnutý, keď je okolitá teplota nad 27 ÷ 28 °C alebo ak si všimnete kvapky vody na sklenených policiach alebo za podmienok zvýšenej vlhkosti. Pripomíname, že aj keď je ventilátor zapnutý, nebude v prevádzke nepretržite. Ventilátor sa zapne/zastaví v závislosti od teploty a/alebo úrovně vlhkosti vo vnútri spotrebiča. Je preto úplne normálne, že sa ventilátor nebude otáčať, aj keď je zapnutý. Aktiváciu a deaktiváciu tejto funkcie nájdete v priloženom Návode na rýchle spustenie.

Poznámka:

Dbajte, aby potraviny nebránili nasávaniu vzduchu.

Ak chcete mať zaručený správny výkon pri nízkej okolitej teplote (nižšej ako 18 °C) a aby sa minimalizovala spotreba energie, vypnite ventilátor.

Ak spotrebič má ventilátor, môže byť vybavený **antibakteriálnym filtrom**.

Vyberte ho zo škatuľky uloženej v zásuvke na ovocie a zeleninu a vložte do krytu ventilátora.

Postup výmeny je uvedený v škatuľke s filtrom.

2.4. NASTAVENIE TEPLoty

Spotrebič je vo výrobe zvyčajne nastavený na prevádzku pri odporúčanej priemernej teplote. Podrobnosti k nastaveniu teploty nájdete v Návode na rýchle spustenie.

Poznámka: Zobrazené nastavené hodnoty zodpovedajú priemernej teplote v celej chladničke

2.5. SAMOODMRAZOVACÍ CHLADIACI PRIESTOR

Odmrazovanie priestoru chladničky je úplne automatické.

Kvapky vody na zadnej stene chladiaceho priestoru znamenajú, že prebieha fáza automatického odmravovania. Rozmrazená voda automaticky steká do odtokovej diery a zhromažďuje sa v nádobke, z ktorej sa vyparuje.

2.6. OSVETLENIE CHLADNIČKY

Na osvetlenie chladiaceho priestoru sa používa LED svetlo, ktoré umožňuje lepšie osvetlenie a veľmi nízku spotrebu energie.

Ak systém LED osvetlenia nefunguje, obráťte sa na servis, aby ho vymenili.

Dôležité upozornenie:

Vnútorné osvetlenie chladiaceho priestoru sa zapne po otvorení dvierok chladničky. Ak dvierka necháte otvorené dlhšie ako 8 minút, osvetlenie sa automaticky vypne.

* K dispozícii na niektorých modeloch. Overtte si v NÁVODE NA RÝCHLE SPUSTENIE, či je na vašom modeli táto funkcia k dispozícii.

3. POUŽÍVANIE

3.1. POZNÁMKY

- Neblokujte potravinami výstupy vzduchu (na zadnej vnútornej stene výrobu).
- Všetky poličky, sklápacie držiaky a vyťahovacie košíky sa dajú vybrať.
- Vnútorne teploty spotrebiča môže ovplyvňovať teplota prostredia, frekvencia otvárania dverí, ako aj umiestnenie spotrebiča. Teplotu treba nastaviť vzhľadom na tieto faktory.
- Pokiaľ nie je uvedené inak, príslušenstvo spotrebiča nie je vhodné umývať v umývačkách riadu.

4. TIPY NA USKLADNENIE POTRAVÍN

Chladnička je ideálne miesto na uskladnenie hotových jedál, čerstvých a konzervovaných potravín, mliečnych výrobkov, ovocia a zeleniny a nápojov.

4.1. VETRANIE

- Prirodzená cirkulácia vzduchu v chladiacom priestore je výsledkom zón s odlišnými teplotami. Najchladnejšie je priamo nad zásuvkou na ovocie a zeleninu a pri zadnej stene. Najteplejšie v hornej prednej časti.
- Pri nedostatočnom vetraní narastá spotreba energie a znižuje sa chladiaci výkon.

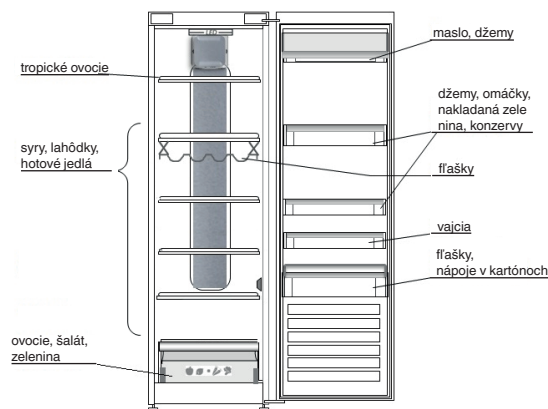
4.2. AKO USKLADŇOVAŤ ČERSTVÉ POTRAVINY A NÁPOJE

- Na balenie potravín používajte nádoby z regulovateľných plastov, kovu, hliníka a skla a príľnavú fóliu.
- Tekutiny a potraviny vydávajúce silný pach alebo náchylné na absorpciu pachov vždy skladujte v uzatvorených nádobách alebo ich prikryte.
- Potraviny, ktoré vypúšťajú veľké množstvo etylénu, a tie, ktoré sú citlivé na tento plyn, ako je ovocie, zelenina a šalát, by mali byť vždy oddelené alebo zabalené, aby neskracovali trvanlivosť uskladnených potravín; napríklad neskladujte paradajky spolu s kivi alebo kapustou.
- Potraviny neskladujte príliš blízko pri sebe, aby sa zabezpečila dostatočná cirkulácia vzduchu.
- Aby ste sa vyhli prevrhnutiu fliaš, môžete použiť držiak na fľaše (dostupný pre niektoré modely).
- Ak v chladničke skladujete malé množstvo potravín, odporúčame použiť poličku nad zásuvkou pre ovocie a zeleninu, pretože je to najchladnejšia oblasť chladničky.

4.3. KDE USKLADŇOVAŤ ČERSTVÉ POTRAVINY A NÁPOJE

- Na policiach chladničky: hotové jedlá, tropické ovocie, syry, lahôdky.
- V zásuvke na ovocie a zeleninu: ovocie, šalát, zelenina.
- Vo dverách: maslo, džemy, omáčky, nakladanú zeleninu, konzervy, nápoje v kartónoch, vajcia.

PRÍKLAD ULOŽENIA POTRAVÍN



5. FUNKČNÉ ZVUKY

Zvuky vychádzajúce z vášho spotrebiča sú normálne, pretože má niekoľko ventilátorov a motorov na reguláciu výkonu, ktoré sa automaticky zapínajú a vypínajú.

Niektoré funkčné zvuky možno zredukovať

- vyvážením spotrebiča a jeho inštalovaním na rovný povrch.
- oddelením spotrebiča, aby nebol v kontakte s nábytkom.
- skontrolovaním, či sú vnútorné komponenty správne umiestnené.
- skontrolovaním, či sa fľaše a nádoby navzájom nedotýkajú.

Niektoré z funkčných zvukov, ktoré môžete počuť:

Zvuk syčania pri prvom zapnutí spotrebiča alebo po dlhom vyradení z prevádzky.



Zvuk bublania, keď chladivo vstupuje do rozvodov.



Zvuk BRRR vydáva bežiaci kompresor.



Bzukot, keď sa do prevádzky uvedie vodný ventil alebo ventilátor.



Pukotanie, keď sa spúšťa kompresor alebo keď hotový ľad padá do nádoby na ľad, náhle kliknutie, keď sa kompresor zapne alebo vypne.



Klikanie sa ozýva z termostatu, ktorý nastavuje ako často sa má spustiť kompresor.



6. ODPORÚČANIA V PRÍPADE NEPOUŽÍVANIA SPOTREBIČA

6.1. NEPRÍTOMNOSŤ / DOVOLENKA

V prípade dovolenky sa odporúča potraviny spotrebovať a spotrebič odpojiť, aby ste ušetrili energiu.

6.2. SŤAHOVANIE

1. Vyberte všetky vnútorné časti..
2. Dobré ich zabaľte a dohromady omotajte lepiacou páskou, aby do seba nenarážali alebo sa nestratili.
3. Zaskrutkujte nastaviteľné nožičky tak, aby sa nedotýkali podkladu.
4. Zatvorte a prelepte dvere lepiacou páskou a pomocou lepiacej pásky pripevnite k spotrebiču aj sieťový kábel.

6.3. VÝPADOK PRÚDU

V prípade výpadku prúdu zavolajte miestnemu dodávateľovi elektrickej energie a spýtajte sa, ako dlho výpadok potrvá.

Poznámka: Nezabúdajte, že v plnom spotrebiči sa chlad udrží dlhšie ako v čiastočne naplnenom.

Ak zistíte, že jedlo nie je v dobrom stave, radšej ho vyhodte.

Výpadky prúdu trvajúce do 24 hodín.

1. Dvere spotrebiča neotvárajte. Skladované jedlo vďaka tomu zostane v chlade čo najdlhšie.

Výpadky prúdu trvajúce viac ako 24 hodín.

1. Snažte sa spotrebovať jedlo, ktoré rýchlejšie podlieha skaze.

7. ÚDRŽBA A ČISTENIE

Pred každým čistením alebo údržbou vytiahnite sieťový kábel zo zásuvky alebo odpojte prívod elektriny.

Spotrebič pravidelne čistite handričkou a vlažnou vodou s pridaním neutrálneho čistiaceho prostriedku špeciálne určeného na interiér chladničky. Nikdy nepoužívajte abrazívne čistiace prostriedky. Nikdy nečistite časti chladničky horľavými kvapalinami. Výpary môžu spôsobiť nebezpečenstvo požiaru alebo výbuchu. Vonkajšie povrchy spotrebiča a tesnenie čistite vlhkou handričkou a dosucha utrite mäkkou handričkou.

Nepoužívajte parné čističe.

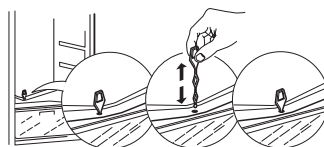
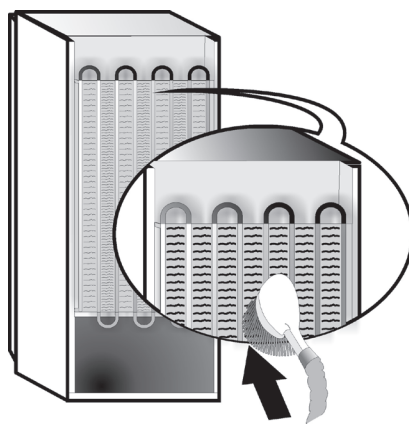
Kondenzátor umiestnený na zadnej strane chladničky treba pravidelne čistiť vysávačom.

Kondenzátor umiestnený na zadnej strane chladničky treba pravidelne čistiť vysávačom.

Dôležité upozornenie:

- Tlačidlá a displej ovládacieho panela sa nesmú čistiť alkoholom alebo látkami s obsahom alkoholu, ale iba suchou handričkou.
- Potrubia chladiaceho systému sa nachádzajú v blízkosti odmrazovacej nádoby a môžu byť horúce. Pravidelne ich čistite vysávačom.

Aby rozmrazená voda mohla trvale a správne odtekať, pravidelne čistite vnútro odtokového otvoru v zadnej časti chladničky pri zásuvke na ovocie a zeleninu pomocou priloženého nástroja.



8. NÁVOD NA ODSTRANOVANIE PORÚCH

8.1. PRV NEŽ SA OBRÁTITE NA POPREDAJNÝ SERVIS...

Problémy s fungovaním môžu často vzniknúť z drobností, ktoré viete nájsť a napraviť sami bez akýchkoľvek nástrojov.

PROBLÉM	RIEŠENIE
Spotrebič nefunguje:	<ul style="list-style-type: none">• Je sieťový kábel zastrčený do zásuvky pod prúdom so správnym napätím?• Skontrolovali ste ochranné zariadenia a poistky elektrických rozvodov vo vašej domácnosti?
Ak je voda v rozmrazovacej nádobke:	<ul style="list-style-type: none">• Za teplého a vlhkého počasia je to normálne. Nádobka môže byť aj do polovice plná. Presvedčte sa, či spotrebič stojí rovno, aby voda neprekala.
Ak sú okraje skrinky spotrebiča, ktoré sa dotýkajú tesnenia na dverách, teplé na dotyk:	<ul style="list-style-type: none">• Za teplého počasia, a keď pracuje kompresor, je to normálne.
Ak svetlo nesvieti:	<ul style="list-style-type: none">• Skontrolovali ste ochranné zariadenia a poistky elektrických rozvodov vo vašej domácnosti?• Je sieťový kábel zastrčený do zásuvky pod prúdom so správnym napätím?• V prípade, že sú LED žiarovky pokazené, užívateľ musí zavolať servis a požiadať o výmenu za ten istý typ žiarovky, ktoré sú k dispozícii iba v našich popredajných servisoch alebo u autorizovaných predajcov.
Ak sa zdá, že motor pracuje priveľa:	<ul style="list-style-type: none">• Čas, keď motor beží, závisí od rôznych vecí: frekvencia otvárania dverí, množstvo uskladnených potravín, teplota v miestnosti, nastavenie ovládačov teploty.• Nie je kondenzátor (na zadnej strane spotrebiča) zaprášený?• Sú dvere riadne zatvorené?• Sú tesnenia na dverách riadne nasadené?• V teplé dni, alebo ak je v miestnosti teplo, motor prirodzene beží dlhšie.• Ak boli dvere spotrebiča nejaký čas otvorené alebo ak je v ňom uskladnené väčšie množstvo potravín, motor beží dlhšie, aby vychladil vnútro spotrebiča.
Ak je teplota spotrebiča príliš vysoká:	<ul style="list-style-type: none">• Sú ovládače spotrebiča správne nastavené?• Bolo do spotrebiča pridané veľké množstvo potravín?• Skontrolujte, či sa dvere neotvárajú príliš často.• Skontrolujte, či sú dvere riadne zatvorené.
Ak sa dvere nedajú riadne otvoriť a zatvoriť:	<ul style="list-style-type: none">• Skontrolujte, či dvere neblokujú balíčky s potravinami.• Skontrolujte, či sú vnútorné komponenty alebo automatický výrobnik ľadu v správnej polohe.• Skontrolujte, či tesnenia dverí nie sú znečistené alebo lepkavé.• Dbajte, aby bol spotrebič vo vyváženej polohe.

8.2. PORUCHY

Keď v prípade výskytu poruchy začne blikať niektorá LED kontrolka, je potrebné zavolať servis. Spotrebič bude pracovať a uchovávať uskladnené potraviny.

Poznámka: V prípade výpadku prúdu sa spotrebič vráti do normálnej prevádzky a obnoví sa predtým nastavená teplota.

9. POPREDAJNÝ SERVIS

Prv, než sa obrátite na popredajný servis:

Znovu spotrebič zapnite a zistite, či sa problém vyriešil. Ak nie, odpojte spotrebič od napájania, asi hodinu počkajte a znovu ho zapojte.

Ak všetko skontrolujete podľa Návodu na odstraňovanie porúch, spotrebič znova zapnete a nefunguje správne, kontaktujte popredajný servis a opíšte im problém.

Uved'te:

- model a sériové číslo spotrebiča (uvedené na výkonnostnom štítku),
- charakter problému,

SERVICE 0000 000 00000




- servisné číslo (uvedené po slove SERVICE na štítku s údajmi vo vnútri spotrebiča),
- vašu úplnú adresu,
- vaše telefónne číslo s predvoľbou.

Poznámka:

Smer otvárania dverí možno zmeniť. Ak túto operáciu vykoná popredajný servis, nevzťahuje sa na ňu záruka.

ÍNDICE

Capítulo 1: INSTALACIÓN	109
1.1. INSTALAR UN ÚNICO APARATO	109
1.2. INSTALAR DOS APARATOS	109
1.3. AJUSTAR LAS PUERTAS (Si las hay)	109
Capítulo 2: FUNCIONES	110
2.1. ALARMA DE PUERTA ABIERTA	110
2.2. ENFRIAMIENTO RÁPIDO 	110
2.3. VENTILADOR*	110
2.4. AJUSTE DE LA TEMPERATURA	110
2.5. COMPARTIMENTO DEL FRIGORÍFICO NO FROST	110
2.6. LUZ DEL FRIGORÍFICO	110
Capítulo 3: USO	111
3.1. NOTAS	111
Capítulo 4: CONSEJOS PARA ALMACENAR ALIMENTOS	111
4.1. VENTILACIÓN DE AIRE	111
4.2. CÓMO ALMACENAR ALIMENTOS FRESCOS Y BEBIDAS	111
4.3. DÓNDE ALMACENAR ALIMENTOS Y BEBIDAS	111
Capítulo 5: SONIDOS DE FUNCIONAMIENTO	112
Capítulo 6: RECOMENDACIONES EN CASO DE NO USAR EL APARATO	113
6.1. AUSENCIAS/VACACIONES	113
6.2. MUDANZAS	113
6.3. CORTE DE CORRIENTE	113
Capítulo 7: LIMPIEZA Y MANTENIMIENTO	113
Capítulo 8: GUÍA PARA LA SOLUCIÓN DE PROBLEMAS	114
8.1. ANTES DE CONTACTAR CON EL SERVICIO POSTVENTA	114
8.2. AVERÍAS	114
Capítulo 9: SERVICIO POSTVENTA	115
Otros:	
PUERTA REVERSIBLE	132

NOTA:

Las instrucciones corresponden a diversos modelos y puede haber diferencias. Los apartados que solo se refieren a algunos aparatos están indicados con un asterisco (*).

Las funciones que atañen específicamente al modelo de producto que ya ha comprado se encuentran en la GUÍA RÁPIDA DE INICIO.

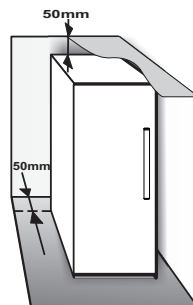
1. INSTALACIÓN

1.1. INSTALAR UN ÚNICO APARATO

Para garantizar una ventilación adecuada, deje espacio a ambos lados y por encima del electrodoméstico.

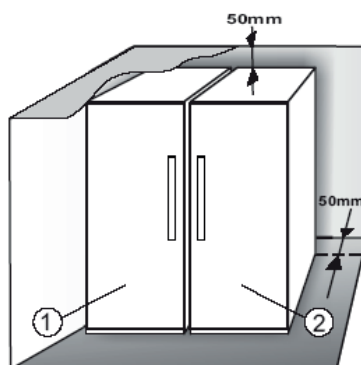
La distancia entre la parte trasera del aparato y la pared de detrás debe ser de como mínimo 50 mm.

Una reducción de este espacio significaría un incremento del consumo de energía del producto.

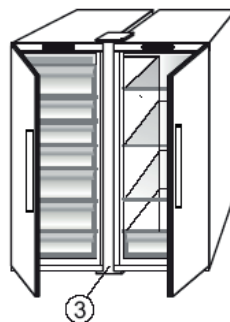


1.2. INSTALAR DOS APARATOS

Cuando instale el congelador ① y el frigorífico ② juntos, asegúrese de que el congelador esté situado a la izquierda y el frigorífico a la derecha (tal como muestra el dibujo). La parte izquierda del frigorífico está equipada con un dispositivo especial para evitar problemas de condensación entre los aparatos.



Se recomienda instalar dos aparatos juntos usando el kit de unión ③ (tal como muestra el dibujo). Se puede comprar en el Servicio.

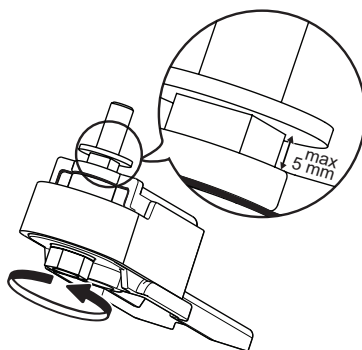


1.3. AJUSTAR LAS PUERTAS (Si las hay)

Para nivelar las puertas usando la bisagra inferior ajustable (seleccione modelos)

Si la puerta del frigorífico está más baja que la del congelador, eleve la puerta del frigorífico girando el tornillo de ajuste en sentido contrario al de las agujas del reloj con una llave inglesa M10.

Si la puerta del congelador está más baja que la del frigorífico, eleve la puerta del congelador girando el tornillo de ajuste en sentido contrario al de las agujas del reloj con una llave inglesa M10.




2. FUNCIONES

2.1. ALARMA DE PUERTA ABIERTA

La Alarma de puerta abierta se activa cuando la puerta permanece abierta durante más de 5 minutos. La alarma se indica mediante el parpadeo del led de la puerta. Si la puerta permanece abierta durante más de 8 minutos, el led de la puerta se apaga.

2.2. ENFRIAMIENTO RÁPIDO

El uso de esta función se recomienda cuando se coloca una gran cantidad de alimentos en el compartimento del frigorífico.

La función de Enfriamiento rápido  permite aumentar la capacidad de refrigeración en el compartimento del frigorífico. Encienda el ventilador para aumentar la capacidad de refrigeración.

2.3. VENTILADOR*

El ventilador mejora la distribución de la temperatura dentro del compartimento del frigorífico y permite una mejor conservación de los alimentos. De forma predeterminada, el ventilador está encendido. Se recomienda mantener el ventilador encendido cuando la temperatura ambiente sea superior a 27-28 °C o si detecta gotas de agua en los estantes de cristal o en condiciones de humedad elevada. Tenga en cuenta que, cuando está encendido, el ventilador no funciona continuamente. El ventilador se enciende/apaga en función de la temperatura o del nivel de humedad de dentro del aparato. Por tanto, es completamente normal que el ventilador no gire, incluso si está encendido.

Para activar o desactivar esta función, consulte la Guía rápida de inicio incluida.

Nota:

No obstruya la zona de entrada de aire con los alimentos.

Encienda el ventilador para asegurar un buen funcionamiento a temperatura ambiente baja (menos de 18 °C) y minimizar el consumo de energía.

Si el aparato tiene ventilador, se puede equipar con el **filtro antibacteriano**.

Sáquelo de la caja situada en el cajón de las verduras e introdúzcalo en la tapa del ventilador.

El procedimiento de sustitución está incluido en la caja del filtro.

2.4. AJUSTE DE LA TEMPERATURA

Normalmente, el aparato viene configurado de fábrica para que funcione a la temperatura media recomendada.

Consulte la Guía rápida de inicio incluida para más detalles sobre el ajuste de la temperatura.

Nota: Los puntos de ajuste mostrados se corresponden con la temperatura media en todo el frigorífico

2.5. COMPARTIMENTO DEL FRIGORÍFICO NO FROST

La descongelación del compartimento del frigorífico es completamente automática.

Las gotitas de agua en la pared trasera del compartimento del frigorífico indican que la fase de descongelación automática está en proceso. El agua descongelada va directamente hacia un desagüe y se recoge en un recipiente donde se evapora.

2.6. LUZ DEL FRIGORÍFICO

El sistema de iluminación del interior del compartimento del frigorífico usa ledes, lo que permite una mejor iluminación y un consumo energético muy bajo.

Si el sistema de iluminación LED no funciona, póngase en contacto con Servicio de Asistencia para su sustitución.

Importante:

La luz del compartimento frigorífico se enciende cuando se abre la puerta del frigorífico. Si se deja la puerta abierta durante más de 8 minutos, la luz se apaga de forma automática.

* Disponible solo en determinados modelos. Consulte la GUÍA RÁPIDA DE INICIO para saber si esta función está disponible en su modelo.

3. USO

3.1. NOTAS

- No bloquee la zona de salida de aire (en la pared trasera del interior del producto) con los alimentos.
- Todos los estantes, solapas y cestas extraíbles se pueden desmontar.

- La temperatura en el interior del aparato depende de la temperatura ambiente, la frecuencia de apertura de la puerta y la ubicación del electrodoméstico. Cuando ajuste la temperatura, tenga en cuenta todos estos factores.
- A menos que se indique lo contrario, los accesorios del aparato no se pueden poner en el lavavajillas.

4. CONSEJOS PARA ALMACENAR ALIMENTOS

El frigorífico es ideal para almacenar comida preparada, alimentos frescos y encurtidos, productos lácteos, fruta y verdura y bebidas.

4.1. VENTILACIÓN DE AIRE

- La circulación natural de aire en el compartimento del frigorífico hace que haya zonas con diferentes temperaturas. La zona más fría está directamente encima del cajón de fruta y verdura y en la pared trasera. La zona menos fría está en la parte superior frontal del compartimento.
- La ventilación insuficiente provoca un aumento del consumo de energía y una reducción del rendimiento de la refrigeración.

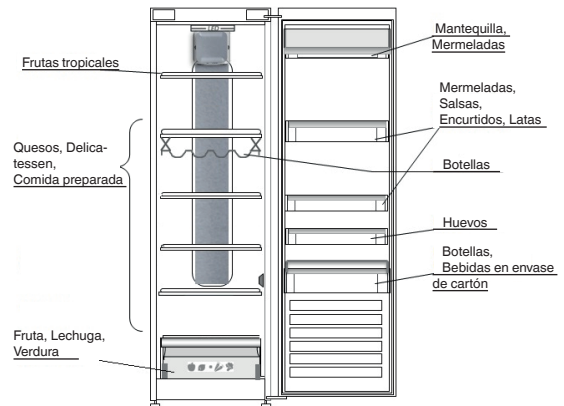
4.2. CÓMO ALMACENAR ALIMENTOS FRESCOS Y BEBIDAS

- Utilice recipientes reciclables de plástico, metal, aluminio y cristal o film transparente para envolver los alimentos.
- Utilice siempre recipientes con tapa para líquidos y alimentos que puedan desprender o tomar olor o sabor de otros alimentos o cúbralos.
- Los alimentos que desprenden mucho gas etileno y aquellos que son sensibles a este gas, como las frutas y verduras o la lechuga, deben conservarse siempre en compartimentos separados o envolverse para no reducir su tiempo de conservación. Por ejemplo, no debe conservar los tomates junto con los kiwis o la col.
- No coloque los alimentos muy juntos para permitir una circulación del aire adecuada.
- Para evitar que se vuelquen las botellas, puede utilizar portabotellas (disponibles en algunos modelos).
- Si tiene que almacenar poca cantidad de alimentos en el frigorífico, recomendamos utilizar los estantes de encima del cajón para frutas y verduras ya que es la parte del compartimento mejor refrigerada.

4.3. DÓNDE ALMACENAR ALIMENTOS Y BEBIDAS

- En los estantes del frigorífico: comida preparada, frutas tropicales, quesos, delicatessen.
- En el cajón para fruta y verdura: fruta, lechuga, verdura.
- En la puerta: mantequilla, mermeladas, salsas, encurtidos, latas, botellas, bebidas en envase de cartón, huevos

EJEMPLO DE COLOCACIÓN DE ALIMENTOS



5. SONIDOS DE FUNCIONAMIENTO

Los sonidos del aparato son normales porque hay una serie de ventiladores y motores para regular las funciones que se encienden y se apagan automáticamente.

Algunos de los sonidos de funcionamiento se pueden reducir

- Nivelar el aparato e instalarlo en una superficie plana.
- Separar y evitar el contacto entre el aparato y los muebles.
- Comprobar que los componentes interiores están colocados correctamente.
- Comprobar que las botellas y los recipientes no se toquen entre ellos.

ALGUNOS DE LOS SONIDOS DE FUNCIONAMIENTO QUE PUEDE OÍR:

Un silbido cuando se enciende el electrodoméstico por primera vez o después de una pausa prolongada.



Un borboteo cuando el líquido de refrigeración entra en las tuberías.



Un borboteo cuando el compresor está en funcionamiento.



Un zumbido cuando la válvula de agua o el ventilador comienzan a funcionar.



Cuando el compresor se enciende o apaga o el hielo cae en la caja de hielo, suena un crujido.



El sonido CLIC es del termostato que ajusta la frecuencia de funcionamiento del compresor.



6. RECOMENDACIONES EN CASO DE NO USAR EL APARATO

6.1. AUSENCIAS/VACACIONES

En caso de vacaciones, se recomienda consumir toda la comida y desconectar el aparato para ahorrar energía.

6.2. MUDANZAS

1. Extraiga las partes internas.
2. Envuélvalas bien y júntelas con cinta adhesiva para que no choquen ni se pierdan.
3. Enrosque las patas regulables para que no toquen con la superficie de soporte.
4. Cierre y fije la puerta con cinta adhesiva y úsela también para fijar el cable de alimentación al aparato.

6.3. CORTE DE CORRIENTE

En caso de corte de corriente, llame a la oficina local de su suministrador eléctrico y pregunte cuánto durará.

Nota: Recuerde que un aparato lleno permanecerá frío durante más tiempo que uno medio vacío.

Si los alimentos se encuentran en malas condiciones, es mejor tirarlos.

Para cortes de corriente de hasta 24 horas.

1. Mantenga la puerta del aparato cerrada. Esto permite que los alimentos almacenados permanezcan fríos durante más tiempo.

Para cortes de corriente de más de 24 horas.

1. Intente consumir todos los alimentos más perecederos.

7. LIMPIEZA Y MANTENIMIENTO

Antes de llevar a cabo cualquier operación de mantenimiento, desenchufe el aparato de la red o desconecte el suministro de energía eléctrica.

Limpie el aparato regularmente con un paño y una solución de agua tibia y detergente neutro específico para interiores de frigoríficos. No use productos abrasivos. No limpie el frigorífico con líquidos inflamables. Los humos pueden provocar peligro de incendio o explosión. Limpie el exterior del aparato y la junta de la puerta con un paño húmedo y séquelo con un paño suave.

No use limpiadores de vapor.

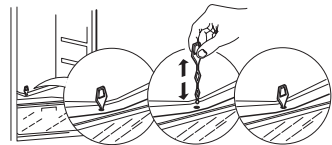
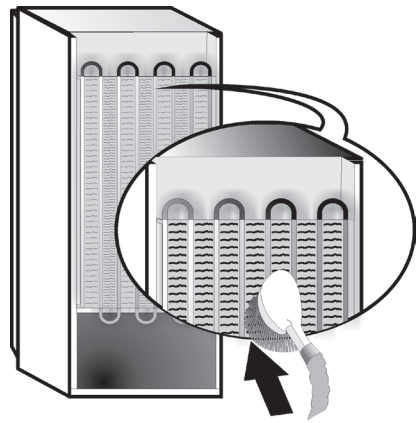
El condensador situado en la parte trasera del aparato debe limpiarse regularmente con una aspiradora.

El condensador situado en la parte trasera del aparato debe limpiarse regularmente con una aspiradora.

Importante:

- Los botones y la pantalla del panel de control no se deben limpiar con alcohol ni sustancias derivadas de alcohol, solo con un paño seco.
- Los tubos del sistema de refrigeración están situados cerca de la zona de descongelación y pueden calentarse. Límpielos periódicamente con una aspiradora.

Para asegurar un flujo continuo y correcto del agua descongelada, limpie regularmente el interior del desagüe que está situado en la parte trasera del frigorífico, cerca del cajón para fruta y verdura, con la herramienta suministrada.



8. GUÍA PARA LA SOLUCIÓN DE PROBLEMAS

8.1. ANTES DE CONTACTAR CON EL SERVICIO POSTVENTA...

Los problemas de funcionamiento suelen deberse a pequeños problemas que usted mismo puede identificar y solucionar sin ningún tipo de herramienta.

PROBLEMA	SOLUCIÓN
El aparato no funciona:	<ul style="list-style-type: none">• ¿El cable de alimentación está enchufado a una toma con el voltaje adecuado?• ¿Ha comprobado los dispositivos de protección y los fusibles de la instalación eléctrica de su hogar?
Si hay agua en la zona de descongelación:	<ul style="list-style-type: none">• Es normal si el tiempo es cálido y húmedo. El recipiente puede estar medio lleno. Asegúrese de que el aparato esté nivelado para que el agua no se vierta.
Si los márgenes del armario del aparato, que están en contacto con la junta de la puerta, están calientes:	<ul style="list-style-type: none">• Es normal cuando hace calor y el compresor está en funcionamiento.
Si la luz no funciona:	<ul style="list-style-type: none">• ¿Ha comprobado los dispositivos de protección y los fusibles de la instalación eléctrica de su hogar?• ¿El cable de alimentación está enchufado a una toma con el voltaje adecuado?• Si los ledes están rotos, el usuario debe llamar al Servicio para pedir un recambio del mismo tipo, solo disponible en nuestros centros de Servicio Postventa o en un distribuidor autorizado.
Si parece que el motor funciona demasiado deprisa:	<ul style="list-style-type: none">• El ritmo del motor depende de distintos factores: número de veces que se abre la puerta, cantidad de alimentos almacenados, temperatura de la habitación, ajuste de los controles de temperatura.• ¿El condensador (situado en la parte trasera) tiene polvo o pelusa?• ¿La puerta está bien cerrada?• ¿Las juntas de la puerta están bien fijadas?• En los días calurosos, el motor funciona durante más tiempo si la habitación está caliente.• Si la puerta del aparato se deja abierta durante un período de tiempo o se almacenan grandes cantidades de alimentos, el motor funcionará durante más tiempo para refrigerar el interior del aparato.
Si la temperatura del aparato es demasiado alta:	<ul style="list-style-type: none">• ¿Los controles del aparato están bien configurados?• ¿Se ha añadido una gran cantidad de alimentos al aparato?• Compruebe que la puerta no se abra con demasiada frecuencia.• Compruebe que la puerta está bien cerrada.
Si las puertas no abren y cierran correctamente:	<ul style="list-style-type: none">• Compruebe que no haya paquetes de alimentos bloqueando la puerta.• Compruebe que las partes internas o la máquina del hielo automática estén en su posición.• Compruebe que las juntas de la puerta no estén sucias o pegajosas.• Asegúrese de que el aparato esté nivelado.

8.2. AVERÍAS

Cuando hay una avería y un indicador led empieza a parpadear, es necesario llamar al servicio. El aparato conservará los alimentos almacenados.

Nota: En caso de corte de corriente, el aparato vuelve a su funcionamiento normal y a la temperatura escogida previamente.

9. SERVICIO POSTVENTA

Antes de contactar con el Servicio Postventa:

Encienda el aparato de nuevo para ver si el problema persiste. En caso que persista, desconecte el aparato del suministro eléctrico y espere aproximadamente una hora antes de volver a conectarlo.

Si después de realizar las acciones descritas en la Guía para la solución de problemas y de volver a encender el aparato, este sigue funcionando mal, contacte con el Servicio Postventa y explique su problema.

Especifique:

- el modelo y el número de serie del producto (indicado en la placa de características),
- el tipo de problema,

SERVICE 0000 000 00000




- el número de Servicio (el número que aparece después de la palabra **SERVICE** en la placa de datos del interior del aparato),
- su dirección completa,
- su número de teléfono y código postal.

Nota:

La dirección de apertura de la puerta se puede cambiar. La garantía no cubre esta operación si la lleva a cabo el Servicio Postventa.

INNEHÅLLSFÖRTECKNING

Kapitel 1: INSTALLATION	117
1.1. INSTALLERA ENSKILD APPARAT	117
1.2. INSTALLERA TVÅ APPARATER	117
1.3. JUSTERA LUCKOR (Om tillgängligt)	117
Kapitel 2: FUNKTIONER	118
2.1. DÖRRLARM	118
2.2. SNABBKYLNING 	118
2.3. FLÄKT	118
2.4. TEMPERATURINSTÄLLNING	118
2.5. KYLDEL MED AUTOMATISK AVFROSTNING	118
2.6. KYLSKÅSLAMPA	118
Kapitel 3: ANVÄNDNING	119
3.1. ANMÄRKNINGAR.....	119
Kapitel 4: TIPS FÖR LIVSMEDELSFÖRVARING	119
4.1. VENTILATION	119
4.2. FÖRVARING AV FÄRSKA LIVSMEDEL OCH DRYCKER.....	119
4.3. VAR FÄRSKA LIVSMEDEL OCH DRYCKER SKA FÖRVARAS	119
Kapitel 5: FUNKTIONSLJUD	120
Kapitel 6: OM APPARATEN INTE ANVÄNDS	121
6.1. FRÅNVARO/SEMESTER.....	121
6.2. FLYTT	121
6.3. STRÖMAVBROTT	121
Kapitel 7: RENGÖRING OCH UNDERHÅLL	121
Kapitel 8: FELSÖKNING	122
8.1. INNAN DU KONTAKTAR SERVICEORGANISATIONEN...	122
8.2. FEL	122
Kapitel 9: SERVICE	123
Övrigt:	
OMHÄNGNING AV DÖRR.....	132

OBS!

Anvisningarna gäller för flera modeller och skillnader kan förekomma. Avsnitt som endast gäller för specifika modeller är märkta med en asterisk (*).
Mer information om funktioner för specifika modeller finns i SNABBGUIDEN.

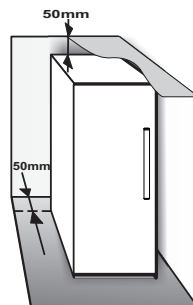
1. INSTALLATION

1.1. INSTALLERA ENSKILD APPARAT

För att säkerställa bra ventilation måste det finnas tillräckligt med utrymme omkring apparaten, både ovanför och på sidorna.

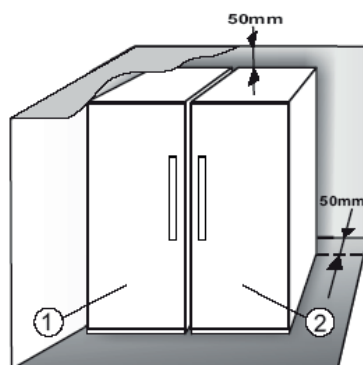
Avståndet mellan baksidan av apparaten och väggen ska vara minst 50 mm.

Om avståndet är mindre kommer apparaten att förbruka mer energi.



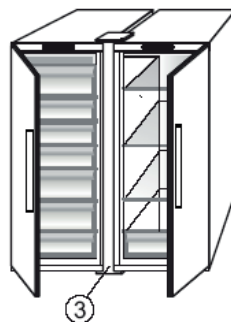
1.2. INSTALLERA TVÅ APPARATER

När frys och ① kylskåp② installeras bredvid varandra ska frysen placeras till vänster om kylskåpet (se bilden). Kylskåpet är utrustat med en särskild anordning på vänster sida för att undvika att kondens bildas mellan apparaterna.



Vi rekommenderar att länksatsen används om apparaterna installeras bredvid varandra ③ (se bilden).

Kontakta Service för att beställa satsen.

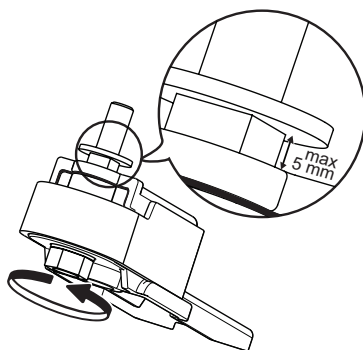


1.3. JUSTERA LUCKOR (Om tillgängligt)

Använd det justerbara nedre gångjärnet för att nivellera luckorna (vissa modeller)

Om kylskåpsdörren är lägre än frysens dörr, höj kylskåpsdörren genom att vrida justeringsskruven moturs med hjälp av en skiftnyckel M10.

Om frysdörren sitter lägre än kylskåpsdörren, ska du höja upp frysdörren genom att vrida justeringsskruven moturs med en M10-nyckel.




2. FUNKTIONER

2.1. DÖRRLARM

Dörrlarmet aktiveras när dörren har stått öppen längre än 5 minuter. Dörrens lysdiod blinkar för att indikera larmet. Om dörren lämnas öppen i mer än 8 minuter släcks LED-dörrlampan automatiskt.

2.2. SNABBKYLNING

Vi rekommenderar att använda snabbkylningsfunktionen när stora mängder matvaror placeras i kylskåpet.

Snabbkylningsfunktionen  används för att öka kylskåpets kylkapacitet. Slå på fläkten för att öka kylkapaciteten.

2.3. FLÄKT

Fläkten gör att temperaturen fördelas jämnt inuti kylan och att matvarorna följaktligen förvaras bättre. I standardläget är fläkten påslagen. Vi råder till att låta fläkten vara på när rumstemperaturen är högre än 27-28 °C eller om det bildas vattendroppar på glashyllorna eller om luftfuktigheten är mycket hög. Notera att fläkten inte arbetar under hela tiden när den är påslagen. Fläkten startar beroende på temperatur och/eller fuktighetsnivå i apparaten. Det är därför helt normalt att fläkten inte arbetar trots att den är påslagen. Mer information om aktivering och avaktivering av funktionen finns i Snabbguiden.

Anmärkning:

Blockera inte luftintagen med matvaror.

För att minimera energiförbrukningen och garantera rätt funktion när omgivningstemperaturen är lägre än 18 °C bör fläkten stängas av.

Om apparaten har en fläkt kan den utrustas med ett **antibakteriellt filter**.

Ta ut filtret ur behållaren i frukt- och grönsakslådan och sätt in det i fläktlocket.

Anvisningar om hur filtret ska bytas medföljer filtret.

2.4. TEMPERATURINSTÄLLNING

Apparaten är vanligtvis fabriksinställd för funktion med rekommenderad medeltemperatur.

Mer information om temperaturinställning finns i Snabbguiden.

Anmärkningar: Temperaturen på displayen avser kylskåpets genomsnittliga temperatur

2.5. KYLDEL MED AUTOMATISK AVFROSTNING

Avfrostningen av kyldelen sker automatiskt.

När det bildas vattendroppar på kyldelens bakre innervägg är det ett tecken på att den automatiska avfrostningen pågår. Avfrostningsvattnet leds till ett dräneringshåll och samlas sedan upp i en behållare där det förångas.

2.6. KYLSKÅPSLAMPAN

LED-lampor används för belysningen i kylskåpet och ger en effektiv belysning och mycket låg energiförbrukning.

Om belysningssystemet inte fungerar ska du kontakta service för att byta ut det.

Viktigt:

Den invändiga belysningen tänds när kylskåpsdörren öppnas. Om dörren lämnas öppen i mer än 8 minuter släcks belysningen automatiskt.

*Finns endast på vissa modeller. Kontrollera SNABBGUIDEN för att se om funktionen finns på den aktuella modellen.

3. ANVÄNDNING

3.1. ANMÄRKNINGAR

- Blockera inte luftutloppet (i apparatens bakre panel) med matvaror.
- Samtliga hyllor, luckor och korgar är löstagbara.

- Apparatens invändiga temperatur kan variera beroende på rumstemperaturen, hur ofta dörren öppnas och var apparaten har placerats. Temperaturinställningen bör beakta dessa faktorer.
- Apparatens tillbehör tål inte maskindisk om inget annat anges.

4. TIPS FÖR LIVSMEDELSFÖRVARING

Kylskåpet passar utmärkt för förvaring av färska och konserverade livsmedel, färdigmat, mejeriprodukter, frukt, grönsaker och drycker.

4.1. VENTILATION

- När luften cirkulerar i kyldelen bildas zoner med olika temperaturer. Temperaturen är kallast ovanför frukt- och grönsakslådan och vid den bakre panelen. Den är varmest i den övre främre delen av kylskåpet.
- Otillräcklig ventilation resulterar i ökad energiförbrukning och minskad kyleffekt.

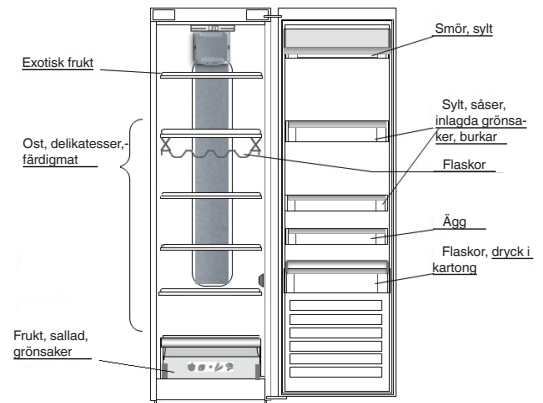
4.2. FÖRVARING AV FÄRSKA LIVSMEDEL OCH DRYCKER

- Använd behållare av återvinningsbart plast-, metall-, aluminium- eller glasmaterial och plastfolie för att slå in maten.
- Förvara vätskor och mat som kan ge ifrån sig eller dra åt sig lukt eller smak i stängda behållare eller täck över dem.
- Livsmedel som avger en stor mängd etylengas och de som är känsliga för denna gas, såsom frukt, grönsaker och sallad, bör alltid separeras eller lindas in för att inte minska hållbarhetstiden; Till exempel ska inte tomater förvaras tillsammans med kiwi eller kål.
- Förvara inte matvaror tätt intill varandra för att luften ska kunna cirkulera fritt.
- Använd flaskhållaren för att undvika att flaskor tippar (finns på vissa modeller).
- Om du har få matvaror i kylskåpet rekommenderar vi att använda hyllorna ovanför frukt- och grönsakslådan eftersom det är den svalaste delen av kylskåpet.

4.3. VAR FÄRSKA LIVSMEDEL OCH DRYCKER SKA FÖRVARAS

- På hyllorna: färdig mat, exotisk frukt, ost, delikatesser.
- I frukt- och grönsakslådan: frukt, sallad, grönsaker.
- I dörren: smör, sylt, såser, inlagda grönsaker, burkar, flaskor, dryck i kartong, ägg

EXEMPEL PÅ PLACERING



5. FUNKTIONSLJUD

Det är normalt att apparaten avger ljud eftersom flera fläktar och motorer används för att reglera funktioner som slås på och av automatiskt.

Vissa av funktionsljuden kan dämpas genom att:

- Nivellera apparaten och installera den på en jämn yta.
- Undvik att apparaten kommer i direkt kontakt med möbler.
- Se till att invändiga komponenter är placerade på rätt sätt.
- Se till att flaskor och behållare inte kommer i kontakt med varandra.

Vissa av funktionsljuden kan ändå höras:

Ett väsende ljud när du sätter på apparaten första gången eller efter ett långt uppehåll.



Ett gurglande ljud när kylvätska rinner in i ledningarna.



Ett BRRR-ljud kommer från kompressorn när den är igång.



Ett surrande ljud när vattenventilen eller fläkten börjar att arbeta.



Ett knakande ljud när kompressorn startar eller när färdiga iskuber faller ned i isbehållaren.



Ett KLICK-ljud från termostaten som bestämmer när kompressorn ska starta.



6. OM APPARATEN INTE ANVÄNDS

6.1. FRÅNVARO/SEMESTER

Vid längre frånvaro bör du tömma apparaten och koppla bort den från elnätet för att spara energi.

6.2. FLYTT

1. Ta ut alla invändiga delar.
2. Förpacka dem väl och fåst ihop dem med tejp så att de inte slår emot varandra eller förloras under transporten.
3. Skruva på de justerbara fötterna så att de inte vidrör stödytan.
4. Stäng dörren och använd tejp för att fixera den. Använd också tejp för att fästa nätkabeln vid apparaten.

6.3. STRÖMAVBROTT

Vid strömavbrott, kontakta elleverantören på din hemort och fråga hur länge strömavbrottet förväntas pågå.

Anmärkning: Tänk på att produkten håller sig kall längre om den är helt fylld än om den bara är delvis fylld.

Om matvarorna är i dåligt skick är det bäst att slänga dem.

Vid strömavbrott som varar upp till 24 timmar.

1. Kontrollera att dörren är helt stängd. Detta håller matvarorna kalla så länge som möjligt.

Vid strömavbrott som varar längre än 24 timmar.

1. Konsumera den mat som lättast blir förstörd.

7. RENGÖRING OCH UNDERHÅLL

Dra alltid ut stickkontakten från eluttaget eller koppla bort apparaten från elnätet på annat sätt innan någon typ av rengöring och underhåll utförs.

Rengör apparaten regelbundet med en duk, ljummet vatten och ett mildt rengöringsmedel som är avsett för invändig rengöring av kylskåp. Använd aldrig slipande rengöringsprodukter. Rengör aldrig kylskåpets delar med lättantändliga vätskor. Ångorna kan orsaka brand eller explosion. Rengör utsidan av apparaten och dörrlisten med en fuktig trasa och torka av med en mjuk duk.

Använd inte ångtvätt.

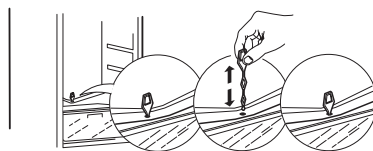
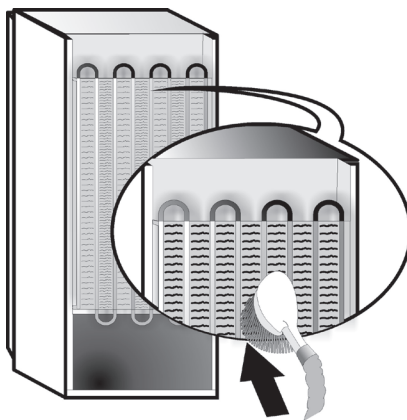
Rengör regelbundet kondensorn på baksidan av apparaten med en dammsugare.

Rengör regelbundet kondensorn på baksidan av apparaten med en dammsugare.

Viktigt:

- Knapparna och kontrollpanelens display får inte rengöras med alkohol eller liknande ämnen utan med en torr trasa.
- Kylsystemets rör är placerade i närheten av skålen för avfrostningsvattnet och kan bli mycket heta. Rengör dem regelbundet med en dammsugare.

Rengör regelbundet insidan av tömningshålet inuti apparaten (nära frukt- och grönsakslådan) för att garantera att avfrostningsvattnet tappas av fortlöpande och på ett korrekt sätt.



8. FELSÖKNING

8.1. INNAN DU KONTAKTAR SERVICEORGANISATIONEN...

Problem är oftast lätta att åtgärda och ibland du kan lösa problemet själv utan några som helst verktyg.

PROBLEM	MÖJLIGA ÅTGÄRDER
Apparaten fungerar inte:	<ul style="list-style-type: none">• Är elsladden ansluten till ett eluttag med korrekt spänning?• Har du kontrollerat skyddsanordningarna och säkringarna i ditt hem?
Om det finns vatten i avfrostningsskålen:	<ul style="list-style-type: none">• Detta är helt normalt vid varm och fuktig väderlek. Även om skålen är fylld till hälften tyder det på normal funktion. Kontrollera att apparaten står i våg så att vattnet inte rinner ur skålen.
Om ytorna som kommer i kontakt med dörrlisten är varma:	<ul style="list-style-type: none">• Detta är normalt vid varmt väder när kompressorn är igång.
Om lampan inte fungerar:	<ul style="list-style-type: none">• Har du kontrollerat skyddsanordningarna och säkringarna i ditt hem?• Är elsladden ansluten till ett eluttag med korrekt spänning?• Om LED-lamporna är trasiga ska du kontakta service för att byta mot lampor av samma typ. Lamporna är endast tillgängliga via kundtjänst eller auktoriserade återförsäljare.
Om motorn är aktiverad under lång tid:	<ul style="list-style-type: none">• Hur länge motorn är igång beror på olika omständigheter: Hur ofta dörren öppnas, mängden mat, rumstemperatur, temperaturreglagens inställningar.• Är kondensorn (på baksidan av apparaten) täckt med damm eller ludd?• Är dörren ordentligt stängd?• Sitter dörrlisterna korrekt?• Under varma dagar eller vid hög rumstemperatur är det normalt att motorn är igång längre.• Om apparatens dörr har lämnats öppen under en längre tid eller om en stor mängd mat har placerats i den kommer motorn vara igång längre för att kyla apparaten invändigt.
Om apparatens temperatur är för hög:	<ul style="list-style-type: none">• Är apparatens reglage korrekt inställda?• Har en stor mängd matvaror placeras i kylskåpet?• Kontrollera att dörren inte öppnas för ofta.• Kontrollera att dörren stängs ordentligt.
Om dörrarna inte öppnas och stängs ordentligt:	<ul style="list-style-type: none">• Kontrollera att inga matförpackningar blockerar dörren.• Kontrollera att de invändiga delarna eller den automatiska ismaskinen sitter korrekt.• Kontrollera att dörrlisterna inte är smutsiga eller klabbiga.• Se till att apparaten står i våg.

8.2. FEL

Kontakta service när ett fel uppstår och LED-indikatorerna börjar blinka. Apparaten kan fortfarande användas för livsmedelsförvaring.

Anmärkning: Vid strömavbrott återgår apparaten till normal funktion och den tidigare valda temperaturinställningen återställs.

9. SERVICE

Innan du kontaktar serviceorganisationen:

Sätt på apparaten igen för att kontrollera om felet har åtgärdats. Om så inte är fallet drar du ut kontakten ur eluttaget, låter kylskåpet stå i en timme och gör sedan om försöket.

Om apparaten inte fungerar som den ska trots att du har utfört kontrollerna som beskrivs i avsnittet Felsökning och startat om apparaten, ska du kontakta kundtjänst och beskriva problemet.

Uppge:

- apparatens modell och serienummer (finns på typskylten),
- vilken typ av problem det rör sig om,

SERVICE 0000 000 00000




- servicenumret (denna kod finns efter ordet SERVICE på typskylten som finns inuti apparaten),
- Din fullständiga adress
- Telefon- och riktnummer

Anmärkning:

Dörren kan hängas om till öppning på andra sidan. Omhängning av dörrar som utförs av vår serviceorganisation täcks inte av garantin.

ПОКАЖЧИК

Глава 1: УСТАНОВЛЕННЯ.....	125
1.1. УСТАНОВЛЕННЯ ОДНОГО ВІДДІЛЕННЯ	125
1.2. УСТАНОВЛЕННЯ ДВОХ ВІДДІЛЕНЬ	125
1.3. РЕГУЛЮВАННЯ ДВЕРЦЯТ (за наявності).....	125
Глава 2: ФУНКЦІЇ	126
2.1. ПОПЕРЕДЖЕННЯ ПРО ВІДКРИТІ ДВЕРЦЯТА	126
2.2. ШВИДКЕ ОХОЛОДЖЕННЯ 	126
2.3. ВЕНТИЛЯТОР*	126
2.4. НАЛАШТУВАННЯ ТЕМПЕРАТУРИ	126
2.5. ХОЛОДИЛЬНЕ ВІДДІЛЕННЯ З СИСТЕМОЮ NO-FROST	126
2.6. ОСВІТЛЕННЯ ХОЛОДИЛЬНОГО ВІДДІЛЕННЯ	126
Глава 3: ВИКОРИСТАННЯ	127
3.1. ПРИМІТКИ.....	127
Глава 4: ПОРАДИ ЩОДО ЗБЕРІГАННЯ ПРОДУКТІВ	127
4.1. ПОВІТРЯНА ВЕНТИЛЯЦІЯ	127
4.2. ЯК ЗБЕРІГАТИ СВИЖІ ПРОДУКТИ І НАПОЇ.....	127
4.3. ДЕ ЗБЕРІГАТИ СВИЖІ ПРОДУКТИ І НАПОЇ.....	127
Глава 5: ЗВУКИ ПРИЛАДУ ПІД ЧАС ФУНКЦІОНУВАННЯ.....	128
Глава 6: РЕКОМЕНДАЦІЇ У ВИПАДКУ НЕВИКОРИСТАННЯ ПРИЛАДУ	129
6.1. ВІДСУТНІСТЬ/ВІДПУСТКА	129
6.2. ПЕРЕЇЗД.....	129
6.3. ЗБІЙ В ЕЛЕКТРОМЕРЕЖІ	129
Глава 7: ОБСЛУГОВУВАННЯ Й ОЧИЩЕННЯ	129
Глава 8: ПОСІБНИК З УСУНЕННЯ НЕСПРАВНОСТЕЙ.....	130
8.1. ПЕРШ НІЖ ЗВЕРНУТИСЯ ДО ЦЕНТРУ ПІСЛЯПРОДАЖНОГО ОБСЛУГОВУВАННЯ... ..	130
8.2. НЕСПРАВНОСТІ	130
Глава 9: ЦЕНТР ПІСЛЯПРОДАЖНОГО ОБСЛУГОВУВАННЯ	131
Інше	
ПЕРЕВІШУВАННЯ ДВЕРЦЯТ	132

ПРИМІТКА:

Інструкції застосовуються до кількох моделей, тому можуть містити розбіжності. Розділи, що містять інформацію про конкретні прилади, позначено зірочкою (*).

Інформацію про функції, притаманні лише придбаному вами продукту, наведено у КОРОТКОМУ ПОСІБНИКУ З ПОЧАТКУ РОБОТИ.

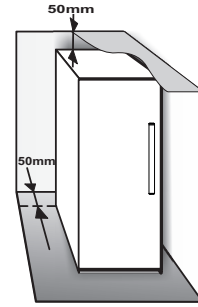
1. УСТАНОВЛЕННЯ

1.1. УСТАНОВЛЕННЯ ОДНОГО ВІДДІЛЕННЯ

Щоб забезпечити належну вентиляцію, потурбуйтеся, щоб між бічними та верхньою стінками приладу залишився певний вільний простір.

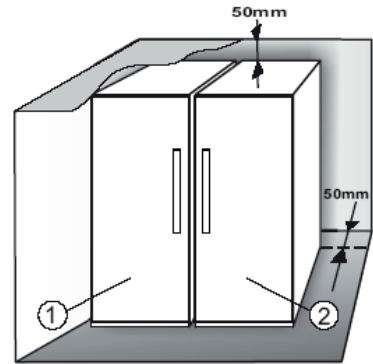
Відстань між задньою стінкою приладу та стіною позаду неї має становити понад 50 мм.

Якщо відстань буде меншою, збільшиться рівень споживання енергії приладом.



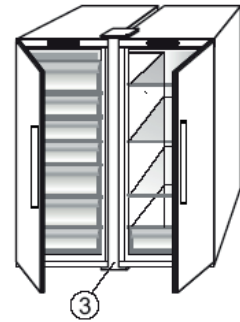
1.2. УСТАНОВЛЕННЯ ДВОХ ВІДДІЛЕНЬ

У разі одночасного встановлення морозильного ① та холодильного ② відділень розташуйте морозильне відділення ліворуч, а холодильне – праворуч (як зображено на малюнку). Ліве відділення холодильника оснащено спеціальним пристроєм, що запобігає утворенню конденсату між відділеннями.



Рекомендуємо установити обидва відділення поруч одне з одним, об'єднавши їх за допомогою спеціального набору ③ (як зображено на малюнку).

Цей набір можна придбати в Центрі обслуговування клієнтів.

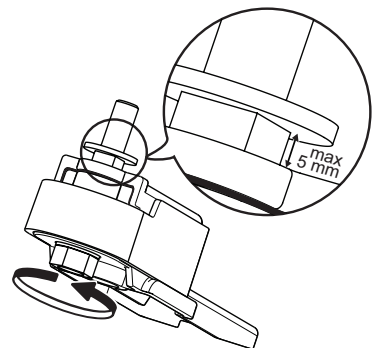


1.3. РЕГУЛЮВАННЯ ДВЕРЦЯТ (за наявності)

Щоб вирівняти дверцята за допомогою нижньої завіси, що регулюється (виберіть моделі)

Якщо дверцята холодильника нижчі за дверцята морозильного відділення, підніміть дверцята холодильника, повертаючи регульовальний гвинт проти годинникової стрілки за допомогою гайкового ключа M10.

Якщо дверцята морозильного відділення нижчі за дверцята холодильника, підніміть дверцята морозильного відділення, повертаючи регульовальний гвинт проти годинникової стрілки за допомогою гайкового ключа M10.




2. ФУНКЦІЇ

2.1. ПОПЕРЕДЖЕННЯ ПРО ВІДКРИТІ ДВЕРЦЯТА

Якщо дверцята приладу залишаються відчиненими протягом понад 5 хвилин, буде активовано сигнал попередження про відкриті дверцята. На панелі про активацію сигналу свідчить світлодіодний індикатор дверцят, що блимає. Якщо дверцята приладу залишаються відчиненими протягом понад 8 хвилин, світлодіодний індикатор дверцят на панелі згасне.

2.2. ШВИДКЕ ОХОЛОДЖЕННЯ

Цю функцію рекомендовано використовувати, якщо в холодильне відділення завантажено забагато продуктів.

Функція «Швидке охолодження»  допомагає підвищити рівень холодопродуктивності у холодильному відділенні. Щоб максимально збільшити холодопродуктивність, не вимикайте вентилятор.

2.3. ВЕНТИЛЯТОР*

Функція «Вентилятор» поліпшує розподіл температури всередині приладу, забезпечуючи кращі умови для зберігання продуктів. За промовчанням вентилятор увімкнено. Щоб забезпечити належне функціонування, рекомендується не вимикати вентилятор, якщо температура навколишнього середовища вища за 27 ÷ 28 °С, на скляних полицях утворюються краплі води або спостерігається високий рівень вологості. Зверніть увагу, що увімкнений вентилятор час від часу вимикатиметься. Вентилятор вмикається/вимикається залежно від температури та/або рівня вологості всередині приладу. Тому відсутність руху вентилятора, навіть коли він увімкнений, є нормальним явищем.

Як активувати або деактивувати цю функцію – див. у «Короткому посібнику з початку роботи», що постачається в комплекті.

Примітка:

Не перекривайте продуктами зону повітрязабірника.

Щоб гарантувати належне функціонування за нижчої навколишньої температури (менше 18 °С) та мінімізувати енергоспоживання, вимкніть вентилятор.

Якщо прилад оснащено вентилятором, у ньому може бути встановлений **антибактеріальний фільтр**.

Витягніть його з коробки, розташованої у контейнері для фруктів і овочів, і вставте в кришку вентилятора.

Процедуру заміни наведено в документації, що постачається в комплекті з фільтром.

2.4. НАЛАШТУВАННЯ ТЕМПЕРАТУРИ

За умовчанням прилад налаштовано на роботу в межах рекомендованої середньої температури. Докладні відомості про налаштування температури наведено див. у «Короткому посібнику з початку роботи», що постачається в комплекті.

Примітка: Відображені значення відповідають середньому рівню температури в усьому холодильному відділенні

2.5. ХОЛОДИЛЬНЕ ВІДДІЛЕННЯ З СИСТЕМОЮ NO-FROST

Розморозжування холодильного відділення відбувається повністю автоматично.

Краплі води на задній стінці всередині холодильного відділення вказують на те, що запущено процес автоматичного розморозжування. Тала вода автоматично стікає в дренажний отвір і накопичується в контейнері, звідки потім випаровується.

2.6. ОСВІТЛЕННЯ ХОЛОДИЛЬНОГО ВІДДІЛЕННЯ

Для освітлення всередині холодильного відділення використовується система світлодіодів, які не лише забезпечують краще освітлення, а й заощаджують споживання електроенергії.

Якщо система світлодіодного освітлення не працює, зверніться до центру обслуговування клієнтів, щоб вам її замінили.

Важливо:

Внутрішнє освітлення холодильного відділення вмикається під час відкриття дверцят. Якщо дверцята залишатимуться відчиненими протягом понад 8 хвилин, світло вимкнеться автоматично.

*Доступно в окремих моделях. Перегляньте КОРОТКИЙ ПОСІБНИК ІЗ ПОЧАТКУ РОБОТИ, щоб перевірити, чи ця функція доступна для поточної моделі.

3. ВИКОРИСТАННЯ

3.1. ПРИМІТКИ

- Не блокуйте продуктами харчування зону повітряної вентиляції (задню стінку всередині приладу).
- Усі полиці, відкидні полочки та кошики можна виїняти.

- На температуру всередині приладу може впливати температура навколишнього середовища, частота відкривання дверцят, а також розташування приладу. Установлюючи температуру, слід звертати увагу на ці фактори.
- Аксесуари приладу не слід мити в посудомийній машині, якщо не надано інших вказівок.

4. ПОРАДИ ЩОДО ЗБЕРІГАННЯ ПРОДУКТІВ

Холодильне відділення ідеально підходить для зберігання приготованих страв, свіжих продуктів і законсервованої їжі, молочних продуктів, фруктів і овочів, а також напоїв.

4.1. ПОВІТРЯНА ВЕНТИЛЯЦІЯ

- Природна циркуляція повітря у холодильному відділенні призводить до створення зон із різною температурою. Найнижча температура спостерігається над контейнером для овочів і фруктів, а також біля задньої стінки холодильника. Найвища температура – у верхній частині відділення біля передньої стінки відділення.

Недостатня вентиляція призводить до підвищеного енергоспоживання та зменшення охолоджувальних властивостей приладу.

4.2. ЯК ЗБЕРІГАТИ СВІЖІ ПРОДУКТИ І НАПОЇ

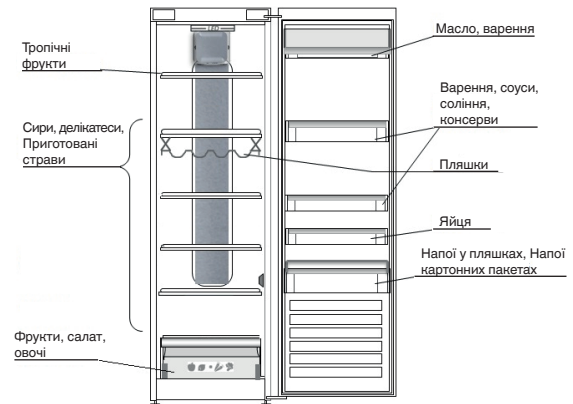
- Для зберігання продуктів використовуйте пластмасові, металеві, алюмінієві та скляні контейнери, що піддаються вторинній переробці, а також харчову плівку.
- Завжди використовуйте закриті контейнери для зберігання рідин і продуктів, які можуть виділяти специфічний запах або можуть зіпсуватися через такий специфічний запах або можуть набути його.
- Продукти, що виділяють велику кількість етилену, та продукти, які є чутливими до цього газу, наприклад, фрукти, овочі та салат, завжди необхідно зберігати окремо або загорнути, інакше скоротиться строк їхнього зберігання; наприклад, не зберігайте помідори разом з ківі чи капустою.
- Не зберігайте продукти занадто близько один до одного, щоб забезпечити належну циркуляцію повітря.
- Щоб уникнути випадання пляшок, використовуйте підставку для пляшок (доступно у деяких моделях).

- Якщо кількість продуктів для зберігання в холодильнику невелика, рекомендуємо використовувати для цього полиці над контейнером для овочів і фруктів, адже у цій зоні холодильного відділення температура є найнижчою.

4.3. ДЕ ЗБЕРІГАТИ СВІЖІ ПРОДУКТИ І НАПОЇ

- На полицях холодильника: приготовлені страви, тропічні фрукти, сири, делікатеси.
- У контейнері для овочів і фруктів: фрукти, салат, овочі.
- На полицях дверцят: масло, варення, соуси, соління, консерви, напої у пляшках і картонних пакетах, яйця

ПРИКЛАД РОЗТАШУВАННЯ ПРОДУКТІВ



5. ЗВУКИ ПРИЛАДУ ПІД ЧАС ФУНКЦІОНУВАННЯ

Звук, що лунає під час функціонування приладу, – це нормальне явище, адже прилад має певну кількість вентиляторів і двигунів, що автоматично вмикаються та вимикаються.

Способи зменшення гучності деяких звуків, що лунають під час функціонування приладу

- Вирівняйте прилад і встановіть його на рівну поверхню.
- Не встановлюйте прилад надто близько до навколишніх меблів.
- Перевірте, чи правильно встановлено компоненти всередині приладу.
- Перевірте, чи пляшки та контейнери не контактують один з одним.

Деякі звуки, що можуть лунати під час функціонування приладу

Шипіння під час першого ввімкнення приладу або ввімкнення після тривалого періоду простою.



Звук булькотіння, коли рідкий холодильний агент надходить у труби холодильника.



Звук «бр-р-р» лунає під час роботи компресора.



Дзижчання, коли починає працювати водопровідний вентиль і вентилятор.



Трищання, коли розпочинає роботу компресор або коли готовий лід падає в лоток для льоду. Коли вмикається або вимикається компресор, чути різке клацання.



Клацання термостата, який регулює частоту роботи компресора.



6. РЕКОМЕНДАЦІЇ У ВИПАДКУ НЕВИКОРИСТАННЯ ПРИЛАДУ

6.1. ВІДСУТНІСТЬ/ВІДПУСТКА

У випадку довготривалої відсутності (відпустки) рекомендується звільнити холодильник від продуктів та вимкнути його з метою збереження електроенергії.

6.2. ПЕРЕЇЗД

1. Вийміть усі внутрішні частини холодильника.
2. Добре обгорніть частини холодильника папером та зафіксуйте їх за допомогою клейкої стрічки так, щоб вони не стукались одна об одну та не загубилися.
3. Закрутіть ніжки регульованої висоти, щоб вони не торкалися опорної поверхні.
4. Закрийте дверцята та зафіксуйте їх за допомогою клейкої стрічки, а також за допомогою клейкої стрічки прикріпіть кабель живлення до приладу.

6.3. ЗБІЙ В ЕЛЕКТРОМЕРЕЖІ

У разі виникнення збою в електромережі зателефонуйте до місцевої компанії, що постачає електроенергію, та запитайте, коли буде відновлено постачання електроенергії.

Примітка: Зверніть увагу, що повністю заповнений харчами холодильник підтримуватиме низьку температуру довше, ніж частково заповнений холодильник.

Якщо стан продуктів харчування незадовільний, їх краще викинути.

Якщо збій в електромережі триває до 24 годин, виконайте наведені нижче дії.

1. Не відкривайте дверцята приладу. Це забезпечить підтримання низької температури в холодильнику протягом тривалішого часу.

Якщо збій в електромережі триває понад 24 години, виконайте наведені нижче дії.

1. Спершу потрібно використати продукти, які швидко псуються.

7. ОБСЛУГОВУВАННЯ Й ОЧИЩЕННЯ

Перш ніж виконувати чищення або технічне обслуговування, від'єднайте прилад від електромережі або витягніть вилку з розетки.

Періодично мийте прилад за допомогою ганчірки та розчину теплої води з нейтральним миючим засобом (особливо, якщо мова йде про внутрішні частини холодильника). Ніколи не використовуйте абразивні миючі засоби. Ніколи не використовуйте займисті рідини для миття холодильника. Випари можуть спричинити пожежу або вибух. Зовнішню поверхню приладу й ущільнювач для дверцят очистьте за допомогою вологої ганчірки, а потім витріть сухою.

Забороняється застосовувати пароочисники.

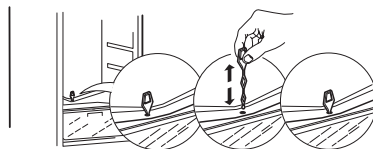
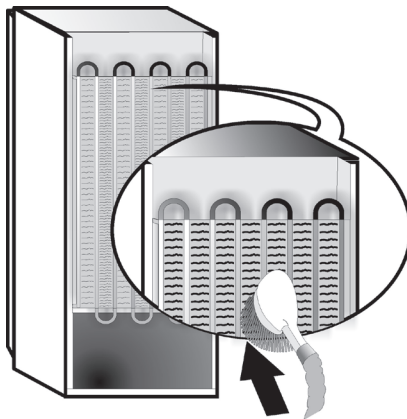
Потрібно регулярно чистити конденсатор, розташований на задній стінці приладу, використовуючи пилосос.

Потрібно регулярно чистити конденсатор, розташований на задній стінці приладу, використовуючи пилосос.

Важливо:

- Кнопки та дисплей панелі керування не можна протирати рідинами, які містять спирт, а лише сухою ганчіркою.
- Труби системи охолодження розташовані поблизу піддону для збору розмороженого льоду та можуть нагріватися. Періодично чистьте ці труби за допомогою пилососа.

Щоб забезпечити безперервний та правильний потік талої води регулярно чистіть дренажний отвір на задній стінці холодильника поруч з контейнером для фруктів і овочів, використовуючи інструмент, що постачається в комплекті.



8. ПОСІБНИК З УСУНЕННЯ НЕСПРАВНОСТЕЙ

8.1. ПЕРШ НІЖ ЗВЕРНУТИСЯ ДО ЦЕНТРУ ПІСЛЯПРОДАЖНОГО ОБСЛУГОВУВАННЯ...

Проблеми з ефективністю роботи приладу можуть бути часто спричинені незначними неполадками, які можна виправити самостійно та без використання додаткових інструментів.

ПРОБЛЕМА	РІШЕННЯ
Прилад не працює:	<ul style="list-style-type: none">• Чивставленошнурживленняврозеткузвідповідноюнапругою?• Чи перевірено справність захисних пристроїв і запобіжників електричної системи будинку?
Піддон для збору розмороженого льоду містить воду:	<ul style="list-style-type: none">• Це нормальне явище у спекотну або вологу погоду. Піддон може навіть бути наполовину заповненим. Переконайтеся, що тала вода не вилється з піддону.
Нагріваються краї основної частини приладу, що контактують з ущільнювачем для дверцят:	<ul style="list-style-type: none">• Це явище є нормальним в умовах спекотної погоди або під час роботи компресора.
Не працює освітлення:	<ul style="list-style-type: none">• Чи перевірено справність захисних пристроїв і запобіжників електричної системи будинку?• Чи вставлено шнур живлення в розетку з відповідною напругою?• Якщо світлодіоди розбиті, користувачу слід звернутися до сервісного центру для їх заміни, тому що світлодіоди такого типу є лише в наших центрах післяпродажного обслуговування або у авторизованих продавців.
Двигун тривалий час перебуває в роботі:	<ul style="list-style-type: none">• На тривалість роботи двигуна можуть впливати різні чинники: частота відкривання дверцят, обсяг продуктів харчування, що зберігаються, температура у приміщенні, налаштування параметрів температури.• Чи не забився конденсатор (задня частина приладу) через пил і порох?• Чи надійно зачинено дверцята?• Чи приладнано ущільнювачі для дверцят належним чином?• Зазвичай двигун працює довше, якщо надворі або в кімнаті спекотно.• Якщо дверцята приладу залишити відчиненими протягом тривалого часу або якщо зберігається значний обсяг продуктів харчування, двигун працюватиме довше, щоб установити низьку температуру всередині приладу.
Зависока температура всередині приладу:	<ul style="list-style-type: none">• Налаштування приладу встановлено правильно?• До приладу добавлено великий обсяг продуктів харчування?• Не відкривайте занадто часто дверцята приладу, якщо в цьому немає нагальної потреби.• Перевірте, щоб дверцята були надійно зачинені.
Дверцята приладу погано відчиняються та зачиняються:	<ul style="list-style-type: none">• Перевірте, чи не блокують продукти харчування дверцята приладу.• Переконайтеся, що внутрішні частини приладу та лоток для льоду розташовано правильно.• Перевірте, чи ущільнювач для дверцят не брудний і не липкий.• Переконайтеся, що прилад встановлено надійно.

8.2. НЕСПРАВНОСТІ

Якщо будь-який світлодіодний індикатор починає блимати, що вказує на виникнення несправності, необхідно зателефонувати до сервісної служби. Прилад буде продовжувати підтримувати належний режим зберігання продуктів.

Примітка: У разі виникнення збою електроживлення прилад повернеться до звичайного режиму функціонування і буде відновлено попередньо обрану уставку температури.

9. ЦЕНТР ПІСЛЯПРОДАЖНОГО ОБСЛУГОВУВАННЯ

Перш ніж звертатися в Центр післяпродажного обслуговування, виконайте дії нижче:

Вимкніть і ввімкніть прилад та перевірте, чи не зникла проблема. Якщо проблема не зникла, від'єднайте прилад від джерела живлення та зачекайте одну годину, перш ніж знову його вмикати.

Якщо після виконання вказівок «Посібника з усунення несправностей» і вимкнення та повторного ввімкнення приладу проблема не зникла, зверніться до Центру післяпродажного обслуговування та опишіть несправність.

Потрібно надати тану інформацію:

- серійний номер моделі та приладу (указано на табличці з технічними даними),
- тип проблеми,

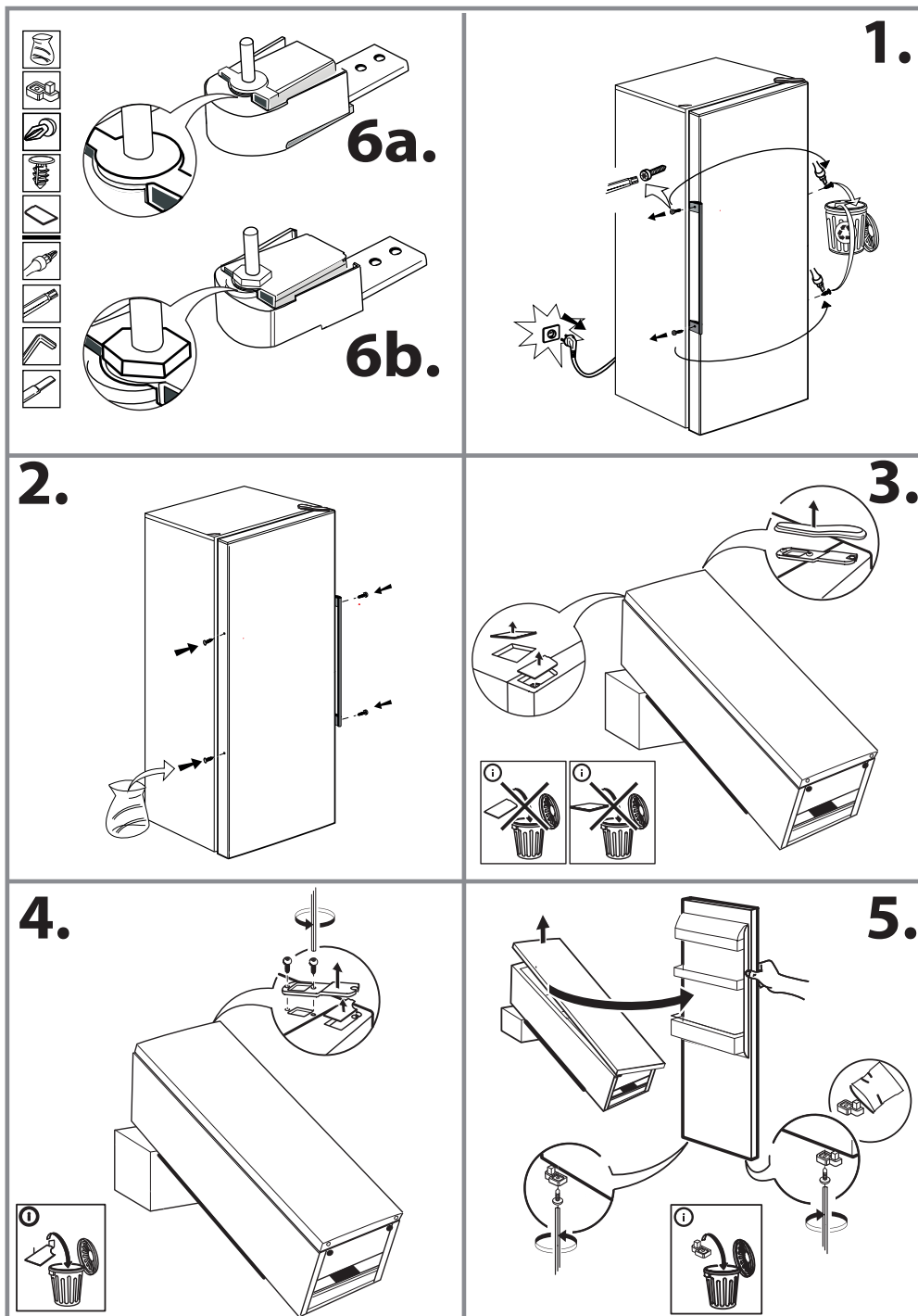
SERVICE 0000 000 00000

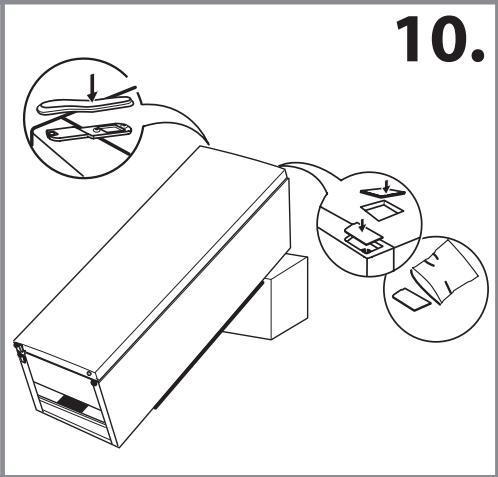
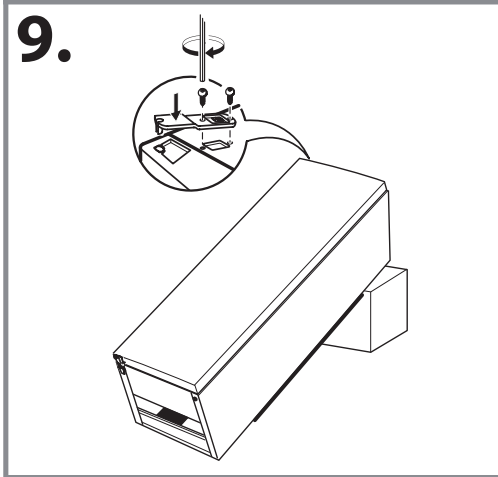
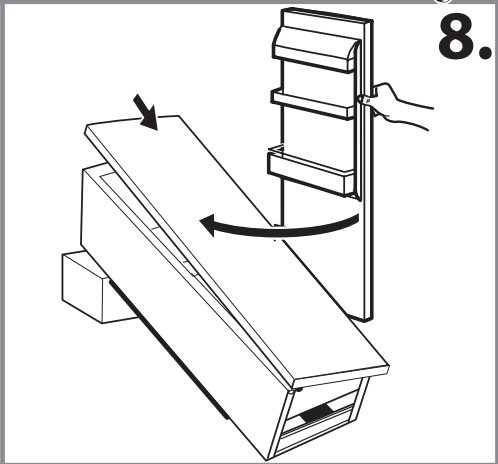
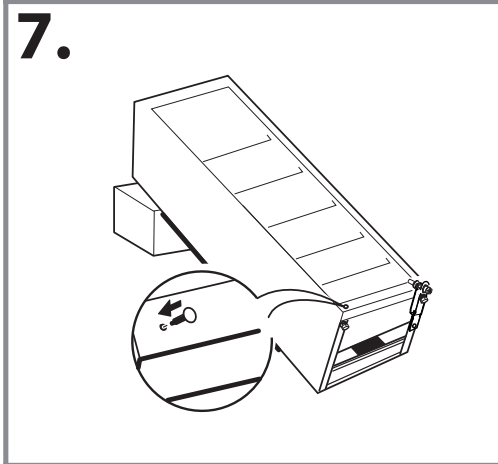
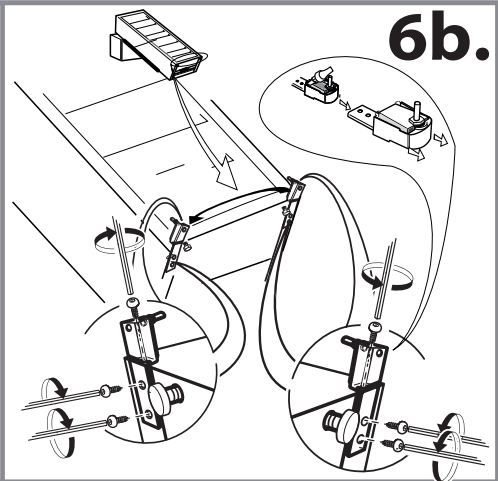
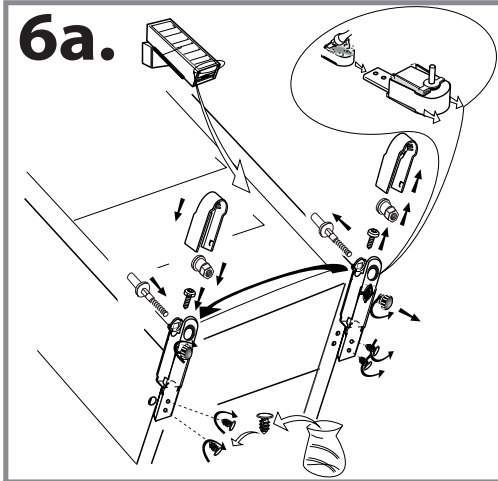


- сервісний номер (номер, указаний після слова «SERVICE» (ОБСЛУГОВУВАННЯ) на табличці з паспортними даними, розташованій усередині приладу),
- повна поштова адреса;
- номер телефону та код країни/регіону.

Примітка:

Напрямок відкривання дверцят можна змінити. Гарантія не поширюється на цю дію, якщо її виконують працівники Центру післяпродажного обслуговування.





19515040801

GB BG CS DA FI FR HU KZ
NO PL RO RU SK ES SV UK



05/17