

Wall-Mount Bracket

Installation Information	EN
Informations d'installation	FR
Información de instalación	ES
Installationsinformationen	DE
Installatie-informatie	NL
Informazioni sull'installazione	IT
Installationsinformation	SE
Informacje dotyczące instalacji	PL
Informações de instalação	PT
Oplysninger om montering	DK
Asennustiedot	FI
Installasjonsveiledning	NO
Πληροφορίες εγκατάστασης	GR
Montaj Bilgileri	TR
Szerelési információk	HU
Instalační informace	CZ
Informácie týkajúce sa montáže	SK
Informații de instalare	RO

Информация за монтаж	BG
Информация по установке	RU
Інформація про встановлення	UA
Paigaldusteave	EE
Uzstādīšanas informācija	LV
Montavimo informacija	LT
Navodila za uporabo	SI
Informacije za instalaciju	HR
Орнату ақпаратты	KZ
Informacije za montažu	SR
安裝信息	CS
安裝資訊	CT
Thông tin Lắp đặt	VN
ข้อมูลการติดตั้ง	TH
Informasi Pemasangan	ID
הוראות התקנה	HE
معلومات التركيب	AR
اطلاعات نصب	PR

Installation Information for Using Sony Wall-Mount Bracket (SU-WL450)

Supported models*:

* In the actual model names, the "x"/"xx" indicates numbers and/or characters specific to each model.

KD-85X8xL / 85X8xBL / 75X8xL / 75X8xBL / 65X8xL / 65X8xBL / 55X8xL / 55X8xBL / 50X8xL / 43X8xL

KM-85X8xL / 75X8xL / 65X8xL / 55X8xL / 50X8xL / 43X8xL

XR-85X9xL / 75X9xL / 65X9xL / 55X9xL

XRM-85X9xL / 75X9xL / 65X9xL / 55X9xL

To Customers

For product protection and safety reasons, Sony strongly recommends that installation of your TV or LCD Monitor be performed by Sony dealers or licensed contractors. Do not attempt to install it yourself.

To Sony Dealers and Contractors

Provide full attention to safety during the installation, periodic maintenance and examination of this product.

Sufficient expertise is required for installing this product, especially to determine the strength of the wall for withstanding the TV's or LCD Monitor's weight. Be sure to entrust the attachment of this product to the wall to Sony dealers or licensed contractors and pay adequate attention to safety during the installation. Sony is not liable for any damage or injury caused by mishandling or improper installation.

For Safety and proper installation, follow the Wall-Mount Bracket Operation Instructions, TV or LCD Monitor Setup Guide and the directions in this manual.

Wall-Mount Bracket

On Safety

Thank you for purchasing this product.

To Customers

Installing the TV or LCD Monitor to the Wall



PROFESSIONAL INSTALLATION REQUIRED

This product should only be installed by a professional installer who is trained to determine the strength of the wall for withstanding the TV's or LCD Monitor's weight. If it is not properly secured during installation, the TV or LCD Monitor may fall and cause serious injury. Sony is not liable for any damage or injury caused by mishandling or improper installation, or installing any other than the specified product. Your Statutory Rights (if any) are not affected.

To Sony Dealers

Sufficient expertise is required for installing this product. Be sure to read this instruction manual thoroughly to do the installation work safely. Sony is not liable for any damages or injury caused by mishandling or improper installation. Please give this manual to the customer after installation.

This instruction manual shows the correct handling of the product and important precautions necessary to prevent accidents. It is your responsibility to read, thoroughly understand, and follow all instructions in this instruction manual. Failure to do so may result in serious personal injury or property damage, and may void the warranty. Keep this manual available for future reference.

Products by Sony are designed with safety in mind. If the products are used incorrectly, however, it may result in a serious injury through fire, electric shock, the product toppling over, or the product dropping. Be sure to observe the precautions for safety to prevent such accidents.

CAUTION

Specified products

This Wall-Mount Bracket is designed for use with the products specified TVs or LCD Monitors. For TVs or LCD Monitors, refer to their Reference Guide to verify that the Wall-Mount Bracket can be used.

To Customers

WARNING

If the following precautions are not observed, serious injury or death through fire, electric shock, or the product dropping can result.

Be sure to subcontract the installation to licensed contractors and keep small children away during the installation.

If the Wall-Mount Bracket or the TV or LCD Monitor is not installed correctly, the following accidents may occur. Be sure licensed contractors carry out installation.

- The TV or LCD Monitor may fall and cause a serious injury such as a bruise or a fracture.
- If the wall on which the Wall-Mount Bracket is installed is unstable, uneven, or not perpendicular to the floor, the unit may fall and cause injury or property damage. The wall should be capable of supporting a weight of at least four times the TV or LCD Monitor weight. (Refer to your TV's or LCD Monitor's Reference Guide for its weight.)
- If the installation of the Wall-Mount Bracket on the wall is not sufficiently sturdy, the unit may fall and cause injury or property damage.

Be sure to subcontract moving or dismantling of the TV or LCD Monitor to licensed contractors.

If persons other than licensed contractors transport or dismount the TV or LCD Monitor, it may fall and cause injury or property damage. Two or more persons (three or more persons for 189.3 cm (75 inches) and above TV or LCD Monitor) are needed to transport a large TV or LCD Monitor (except Egypt).

Two or more persons (three or more persons for 75 inches (189.3 cm) and above TV or LCD Monitor) are needed to transport a large TV or LCD Monitor (Egypt only).

Do not remove screws, etc., after mounting the TV or LCD Monitor.

If you do so, the TV or LCD Monitor may fall and cause injury or property damage.

Do not make alterations to the parts of the Wall-Mount Bracket.

If you do so, the Wall-Mount Bracket may fall and cause injury or property damage.

Do not mount any equipment other than the specified product.

This Wall-Mount Bracket is designed for use with the specified product only. If you mount equipment other than specified, it may fall or break, and cause injury or property damage.

Do not apply any load other than the TV or LCD Monitor on the Wall-Mount Bracket.

Do not shake the TV or LCD Monitor left/right, up/down.

If you do so, the TV or LCD Monitor may fall and cause injury or property damage.

Do not lean on or hang from the TV or LCD Monitor.

Do not lean on or hang from the TV or LCD Monitor as it may fall on you and cause serious injury.

CAUTION

If the following precautions are not observed, injury or property damage may occur.

- Be sure to store the unused parts in a safe place for future use. Keep them away from children.

Do not handle the product with excessive force during cleaning or maintenance.

Do not apply excessive force on the topside of the TV or LCD Monitor. If you do so, the TV or LCD Monitor may fall and cause injury or property damage.

Precautions

- If you use the TV or LCD Monitor installed on the Wall-Mount Bracket for a long time, the wall behind or above the TV or LCD Monitor may become discolored or the wallpaper may come unstuck, depending on the material of the wall.
- If the Wall-Mount Bracket is removed after installing it on the wall, the screw holes are left.
- Do not use the Wall-Mount Bracket in a place where it is subjected to mechanical vibrations.

Installing the Wall-Mount Bracket

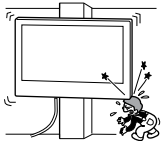
To Sony Dealers

WARNING

The following instructions are for Sony dealers only. Be sure to read safety precautions described above and pay special attention to safety during the installation, maintenance and checking of this product.

Do not install the Wall-Mount Bracket on wall surfaces where the corners or the sides of the TV or LCD Monitor protrude away from the wall surface.

Do not install the Wall-Mount Bracket on wall surfaces such as a pillar, where the corners or the sides of the TV or LCD Monitor protrude away from the wall surface. If a person or object happens to hit the protruded corner or side of the TV or LCD Monitor, it may cause injury or property damage.

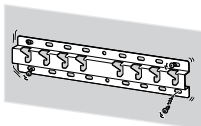


Do not install the TV or LCD Monitor over or under an air-conditioner.

If the TV or LCD Monitor is exposed to water leaks or air current from an air conditioner for a long time, it may cause a fire, an electric shock or a malfunction of the TV or LCD Monitor.

Be sure to install the Wall-Mount Bracket securely to the wall following the instructions in this instruction manual.

If any of the screws are loose or fall out, the Wall-Mount Bracket may fall and cause injury or property damage. Be sure to use the appropriate screws for the material of the wall and install the unit securely using four or more screws of 8 mm diameter (or equivalent).



Be sure to use the supplied screws and attachment parts properly following the instructions given in this instruction manual. If you use substitute items, the TV or LCD Monitor may fall and cause bodily injury to someone or damage to the TV or LCD Monitor.

Be sure to assemble the bracket properly following the instructed procedure explained in this instruction manual.

If any of the screws are loose or fall out, the TV or LCD Monitor may fall and cause bodily injury to someone or damage to the TV or LCD Monitor.

Be sure to tighten the screws securely in the designated position.

If you fail to do so, the TV or LCD Monitor may fall and cause bodily injury to someone or damage to the TV or LCD Monitor.

Be careful not to subject the TV or LCD Monitor to shock during installation.

If the TV or LCD Monitor is exposed to shock, it may fall or break apart. This may cause injury.

Be sure to install the TV or LCD Monitor on a wall that is both perpendicular and flat.

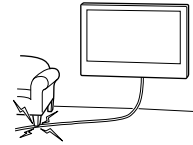
If you fail to do so, the TV or LCD Monitor may fall and cause injury.

After proper installation of the TV or LCD Monitor, secure the cables properly.

If people or objects get tangled with cables, this may result in injury or damage to the TV or LCD Monitor.

Do not allow the AC power cord (mains lead) or the connecting cable to be pinched.

If the AC power cord (mains lead) or the connecting cable is pinched between the unit and the wall or is bent or twisted by force, the internal conductors may become exposed and cause a short circuit or an electrical break. This may cause a fire or an electric shock.



The screws needed to secure the Wall-Mount Bracket to the wall are not supplied.

Use the appropriate screws for the wall material and structure when mounting the Wall-Mount Bracket.

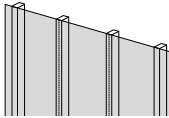
Before Getting Started

- The TV or LCD Monitor illustrations shown in this manual are examples used to provide clear explanations of the operations. For this reason, the illustrations may appear different from your actual TV or LCD Monitor.

What Is Your Wall Made Of?

Firstly, check the type of the wall to install the TV or LCD Monitor.

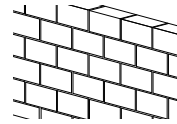
Dry wall with studs



Precautions

- Maximum dry wall thickness: 16 mm.
- Ensure that the inner wood stud size is at least 51 mm × 102 mm for common or 38 mm × 89 mm for nominal.

Solid concrete or concrete block



Precautions

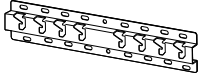








- Mount the Wall-Mount Bracket directly onto the solid concrete wall.
- Ensure that the thickness of solid concrete wall is at least 203 mm.
- Ensure that the size of each concrete block is at least 203 mm × 203 mm × 406 mm.

EN




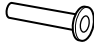

Checking the Parts

Supplied with SU-WL450


- Verify that all the parts are included.

<p>Ⓐ Base (20) (x1)</p> 	<p>Ⓑ Pulley (x2)</p> 	<p>Ⓒ Screw (+PSW 6 x 20) (x4)</p> 	<p>Ⓔ Spacer (20 mm) (x2)</p> 
<p>Ⓕ Belt (x1)</p> 	<p>Ⓘ Base Adaptor (x2)</p> 	<p>Ⓙ Screw (+PSW 4 x 10) (x8)</p> 	<p>Ⓚ Spacer (60 mm) (x2)</p> 
<p>Ⓛ Screw (+PSW 6 x 50) (x2)</p> 			

- These parts may not be used for your model.

<p>Ⓓ Screw (+PSW 4 x 20) with Bush (x2)</p> 	<p>Ⓞ Bush (20) (M4) (x2)</p> 	<p>Ⓢ Screw (+PSW 4 x 20) (x2)</p> 	<p>Ⓜ Bush (M4) (x2)</p> 
<p>Ⓝ Screw (+PSW 4 x 50) (x2)</p> 			



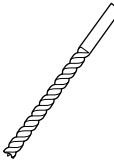
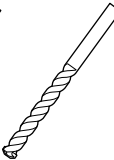

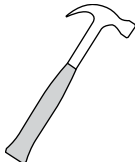
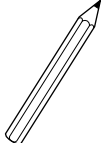
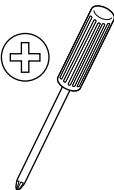
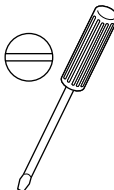





Supplied with the TV or LCD Monitor

<p>Wall-Mount Attachment VS (x4)*</p> 

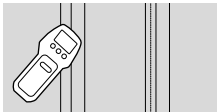
- * Only for limited region/country/model.

Preparing for Installation

- Have the TV's or LCD Monitor's Reference Guide and Setup Guide at hand before installation.
- Confirm the installing position of your TV or LCD Monitor.
- Prepare four or more screws of 8 mm diameter and one screw of 5 mm or equivalent (not supplied). Select screws suitable for the material of the wall.
- Prepare the following tools:

*1 		 5.5 mm	 10 mm	
*2 		 1.5 N·m {15 kgf·cm}	*3  1.5 N·m {15 kgf·cm}	
	*2  (×4)	 (×4) 8 mm × 60 mm	 5 mm	
*4 				

*1 Only for dry wall with studs



*2 Only for solid concrete or concrete block

*3 Depending on models

*4 Only for TV or LCD Monitor 189.3 cm (75 inches) and above (except Egypt)

Only for TV or LCD Monitor 75 inches (189.3 cm) and above (Egypt only)

Installing the Wall-Mount Bracket to the Wall

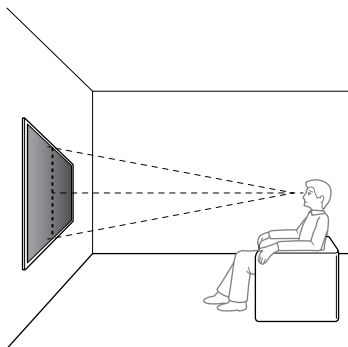
1 Decide on the installation location.

Make sure that the wall has enough space for the TV or LCD Monitor and is capable of supporting a weight of at least four times that of the TV or LCD Monitor.

Refer to your TV's or LCD Monitor's Reference Guide for the TV's or LCD Monitor's weight.

Note

- When your TV or LCD Monitor is installed on the wall, the upper side of the TV or LCD Monitor slightly leans forward.
- We recommend you to check the position of TV or LCD Monitor in the viewing environment.



2 Select wall mounting style as shown below.

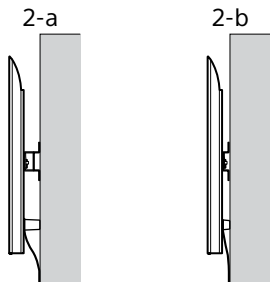
2-a: Standard mounting

2-b: Slim mounting

- Refer "Measurement for Wall-Mount Bracket installation on the wall" on page 18.

WARNING

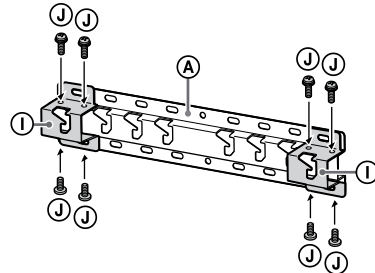
- When 2-b is selected, rear terminal access is limited.



3 If standard mounting (2-a) is selected:

Fit Base Adaptor ① by using Screw (+PSW 4 × 10) ② to Base (20) ③.

- Refer "Base Adaptor ① fitting location" on page 19.



Eg. Fitting Base Adaptor ① at location "a"

If slim mounting (2-b) is selected:

Skip this step.

4 Decide the positions of the screws for installing the Base (20) ③.

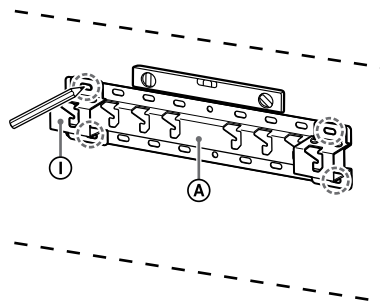
- Refer "Specifications" on page 17.

WARNING

- Determine the strength of the wall the TV or LCD Monitor will be mounted on. Reinforce the wall sufficiently, if necessary.
- The wall that the TV or LCD Monitor will be mounted on should be able to support a weight of at least **four times** that of the TV or LCD Monitor. (Refer to your TV's or LCD Monitor's Reference Guide for its weight.)

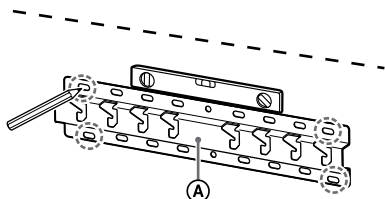
If standard mounting (2-a) is selected:

Use the hole positions of Base Adaptor ①.



Eg. Marking at location "a" to fit Base (20) ③

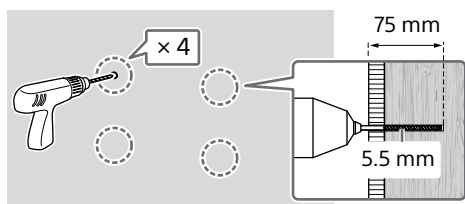
If slim mounting (2-b) is selected:



Eg. Marking at location "a" to fit Base (20) A

- 5 Drill pilot holes on the marks.**
 Make sure the location on the wall to drill the holes are strong enough to support a weight of at least four times that of the TV or LCD Monitor.

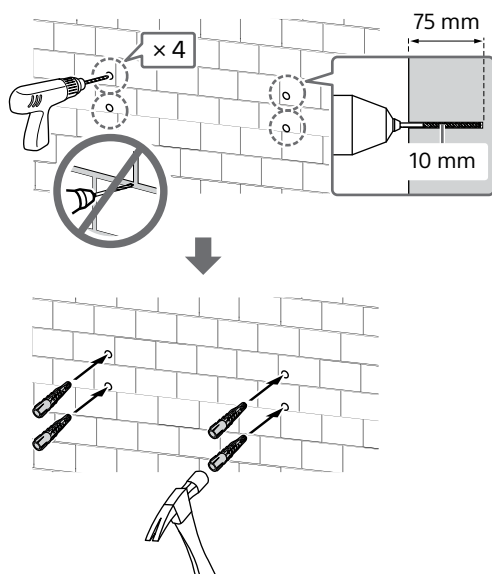
Drilling on dry wall with studs:



Note

- Pilot holes must be drilled to a depth of 75 mm, using a 5.5 mm diameter drill bit.

Drilling on solid concrete or concrete block:



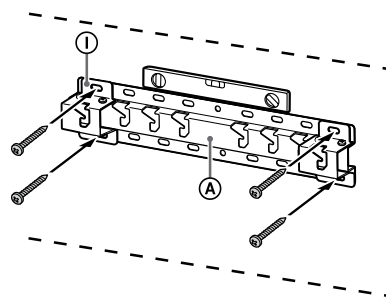
- 6 Install the Base (20) A on the wall using suitable screws (not supplied).**

Note

- Use four or more screws of 8 mm diameter or equivalent (not supplied).
- Use a level to check whether the Base (20) A is level.

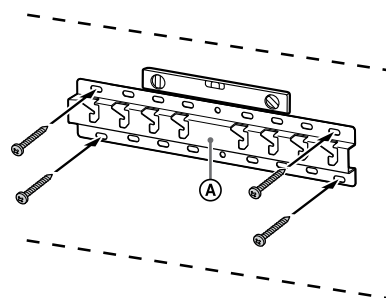
If standard mounting (2-a) is selected:

Fit four screws to the holes of Base Adaptor ① with Base (20) A.



Eg. Fitting Base (20) A at location "a"

If slim mounting (2-b) is selected:



Eg. Fitting Base (20) A at location "a"

- 7 KD-85X8xL / 85X8xBL / 75X8xL / 75X8xBL, KM-85X8xL / 75X8xL, XR-85X9xL / 75X9xL, XRM-85X9xL / 75X9xL only**
 Mark the installation location on the wall.

Use masking tape, etc. (not supplied) to mark the location of the TV or LCD Monitor near the Base (20) A or Base Adaptor ①.

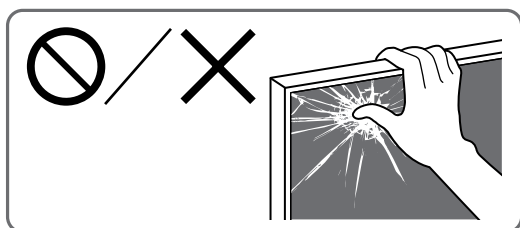
- Refer "Wall marking for TV or LCD Monitor installation location" on page 20.

Except KD-85X8xL / 85X8xBL / 75X8xL / 75X8xBL, KM-85X8xL / 75X8xL, XR-85X9xL / 75X9xL, XRM-85X9xL / 75X9xL
Skip this step.

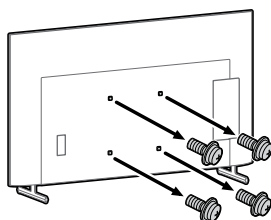
Preparing for the Installation of the TV or LCD Monitor

Note

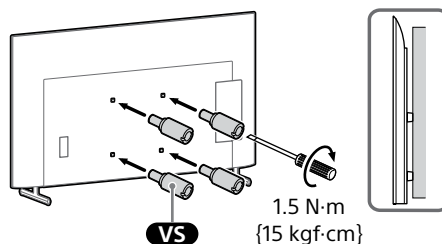
- Be sure to store the removed screws and unused parts in a safe place, keeping them away from children.



- 1 Attach the Table-Top Stand to make the TV or LCD Monitor standing.
 - Refer to your TV's or LCD Monitor's Setup Guide.
- 2 Remove the screws from the rear of the TV or LCD Monitor.



- 3 Attach the Wall-Mount Attachment **VS** (supplied with the TV or LCD Monitor) to the rear of the TV or LCD Monitor (to make it parallel with the wall).



Note

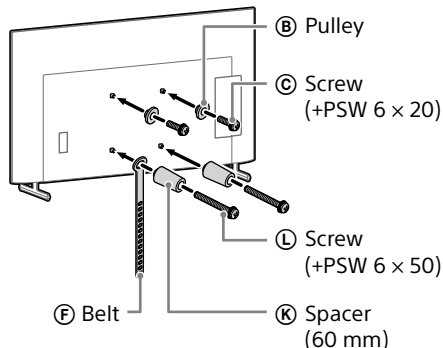
- Be sure to fasten the Wall-Mount Attachment **VS** when attaching them to the TV or LCD Monitor. Use only a flat head screwdriver to install the Wall-Mount Attachment **VS**. Use of another tool might result in over torquing the Wall-Mount Attachment **VS** and damaging the TV or LCD Monitor.

- 4 Attach the Attachment parts for Wall-Mount Bracket. Check the Attachment parts by referring to "Supplied with SU-WL450" in "Checking the Parts" on page 6.

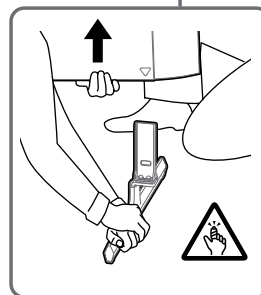
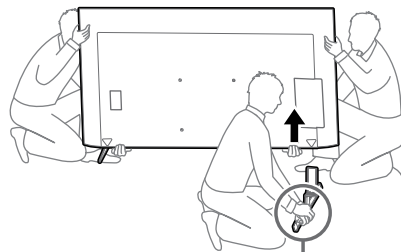
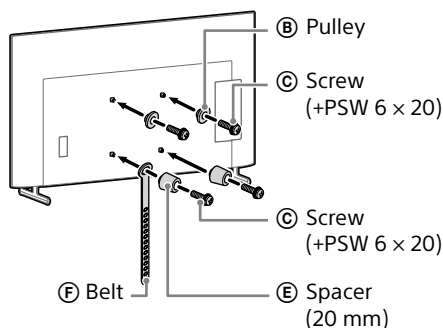
Note

- Firmly secure the Attachment parts using screws.
- When using an electric screwdriver, set the torque setting to approximately 1.5 N·m {15 kgf·cm}.

If standard mounting (2-a) is selected:



If slim mounting (2-b) is selected:



- Repeat the previous step and remove the other side of the Table-Top Stand.

KD-75X85L / 65X85L / 65X85BL / 55X85L, KM-75X85L / 65X85L / 55X85L only

- Remove one side of the Table-Top Stand at a time. Firmly hold the Table-Top Stand securely with both hands while the other people lift up the TV or LCD Monitor.

5 Connect the necessary cable(s) to the TV or LCD Monitor.

Make sure to connect the cables before installing the TV or LCD Monitor on the wall. You will be unable to connect the cables when the TV or LCD Monitor is installed.

Note

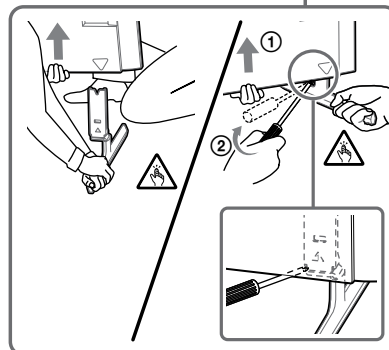
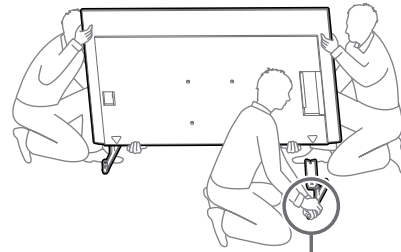
- Subcontract the cable routing in the wall to a licensed contractor.
- Bundle the connecting cables to prevent stepping on them before wall mounting.

6 Detach the Table-Top Stand from the TV or LCD Monitor.

The following illustration is an example of the operation.

Except KD-75X85L / 65X85L / 65X85BL / 55X85L, KM-75X85L / 65X85L / 55X85L, XR-85X90L / 75X90L / 65X90L / 55X90L, XRM-85X90L / 75X90L / 65X90L / 55X90L

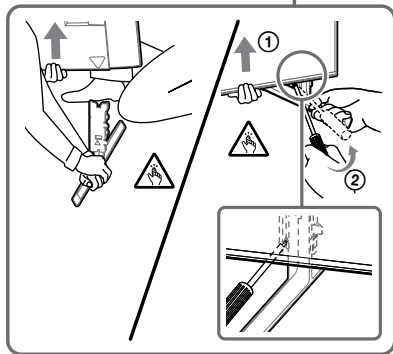
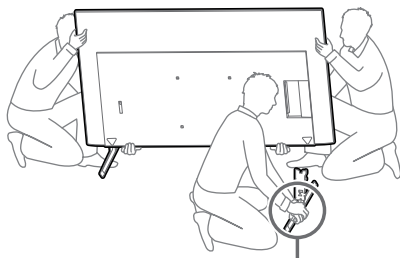
- Remove one side of the Table-Top Stand at a time. Firmly hold the Table-Top Stand securely with both hands while the other people lift up the TV or LCD Monitor.



- Repeat the previous step and remove the other side of the Table-Top Stand.

XR-85X90L / 75X90L / 65X90L / 55X90L,
XRM-85X90L / 75X90L / 65X90L / 55X90L
only

- Remove one side of the Table-Top Stand at a time. Firmly hold the Table-Top Stand securely with both hands while the other people lift up the TV or LCD Monitor.



- Repeat the previous step and remove the other side of the Table-Top Stand.

Note

- Three or more people are required to detach the Table-Top Stand.
- Be careful not to use excessive force while detaching the Table-Top Stand from the TV or LCD Monitor as it may cause the TV or LCD Monitor to fall resulting in personal injury or physical damage to the TV or LCD Monitor.
- Take care when handling the Table-Top Stand to prevent damage to the TV or LCD Monitor.
- Be careful when lifting the TV or LCD Monitor as the Table-Top Stand is detached, the Table-Top Stand may topple over and cause personal injury.
- Take care when removing the Table-Top Stand from the TV or LCD Monitor to prevent it from falling over and damaging the surface that the TV or LCD Monitor is sitting on.

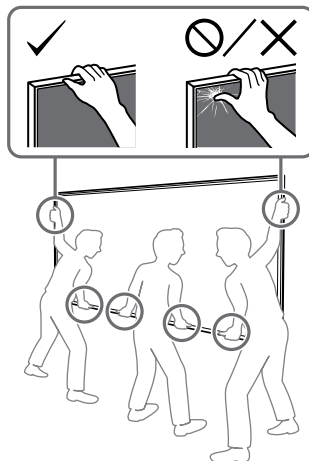
Installing the TV or LCD Monitor on the Wall

KD-85X8xL / 85X8xBL / 75X8xL / 75X8xBL, KM-85X8xL / 75X8xL, XR-85X9xL / 75X9xL, XRM-85X9xL / 75X9xL only

WARNING

- Two or more persons (three or more persons for 189.3 cm (75 inches) and above TV or LCD Monitor) are needed to transport a large TV or LCD Monitor (except Egypt).

Two or more persons (three or more persons for 75 inches (189.3 cm) and above TV or LCD Monitor) are needed to transport a large TV or LCD Monitor (Egypt only).



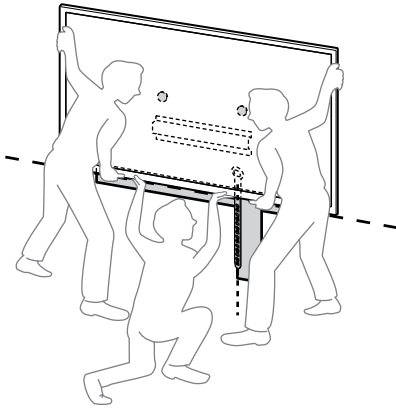
1 Lift the TV or LCD Monitor.

- For the location of the Pulleys (B) to hang on the Base (20) (A) or Base Adaptor (1), refer to "Base Adaptor (1) fitting location" on page 19.
- Make sure that the rear of the TV or LCD Monitor touches the Base (20) (A) or Base Adaptor (1) when holding the TV or LCD Monitor.

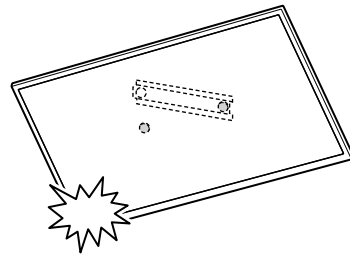
Note

- Hold the TV or LCD Monitor securely with both hands and make sure the Belt (F) and the bottom of the TV or LCD Monitor align with the masking tape.

- Carry the TV or LCD Monitor with three people and the person who is in front of the TV or LCD Monitor leads the others to adjust the position.

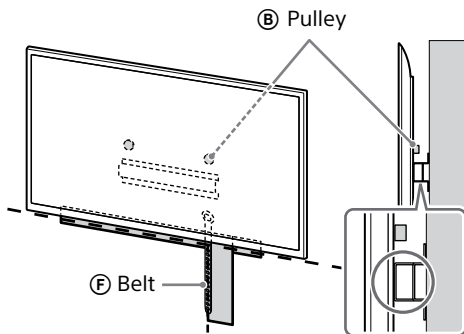


- Release both hands slowly to ensure that the TV or LCD Monitor does not fall.



- After installing the TV or LCD Monitor on the wall, remove the masking tape, etc. from the wall.

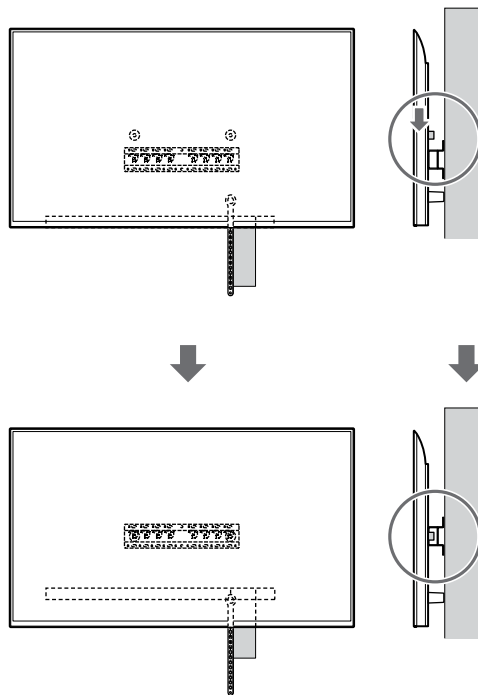
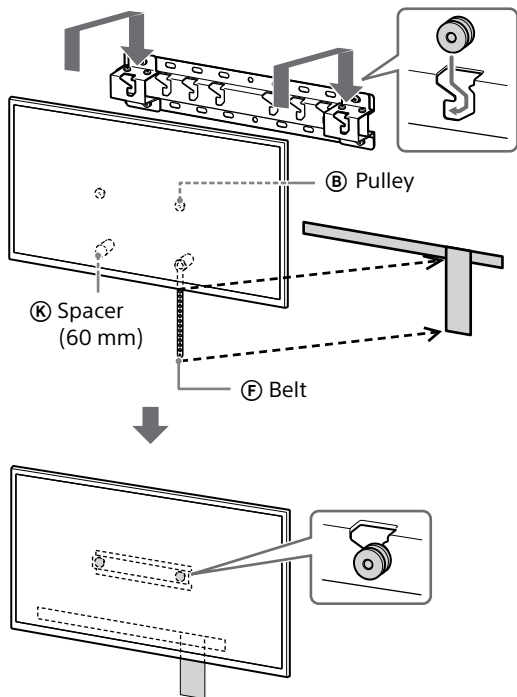
- Take great care when installing the TV or LCD Monitor to the wall especially for the person who is supporting the TV or LCD Monitor from below, the television or LCD Monitor may fall, causing serious bodily injury or even death.



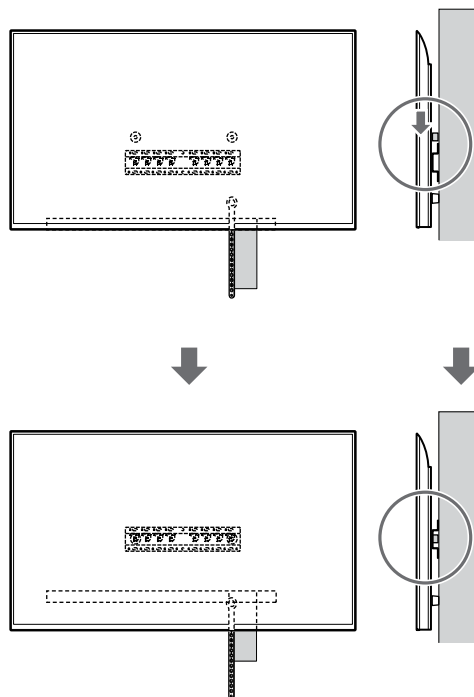
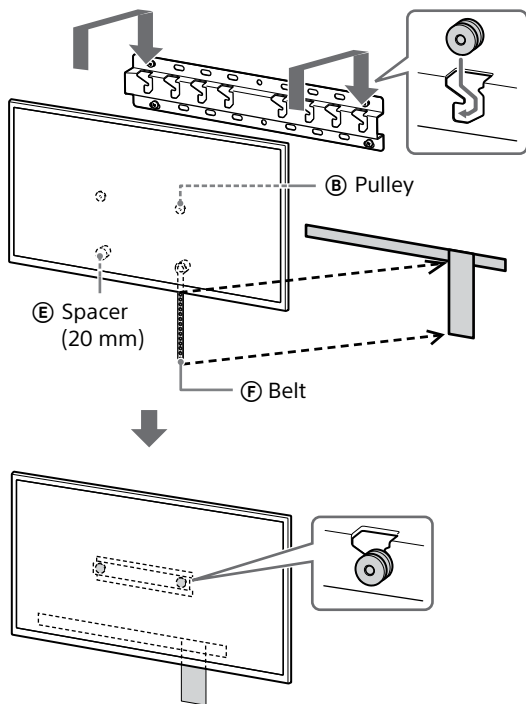
2 Install the TV or LCD Monitor onto the Base (20) (A) or Base Adaptor (I).

- Gently slide down the TV or LCD Monitor and hang the Pulleys (B) attached to the rear of the TV or LCD Monitor to the Base (20) (A) or Base Adaptor (I), making sure to confirm the shape of the holes.
- After installing the TV or LCD Monitor on the wall, confirm the Pulleys (B) are firmly latched into the Base (20) (A) or Base Adaptor (I).

If standard mounting (2-a) is selected:

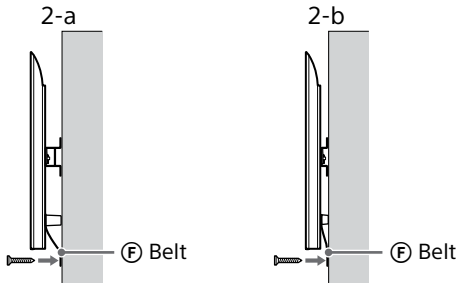


If slim mounting (2-b) is selected:



3 Preventing the bottom of the TV or LCD Monitor from shifting.

- Take up the slack of Belt (F) and attach it to the wall tightly.



- Use a 5 mm diameter screw or equivalent (not supplied).

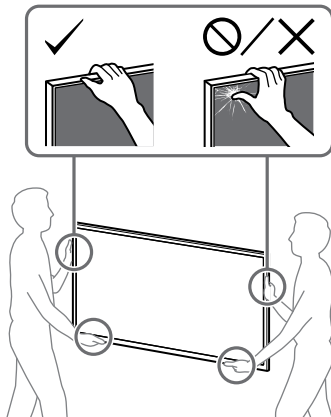
Note

- Try to pull the bottom of the TV or LCD Monitor towards yourself slightly, to make sure that it does not move forward. If there is any movement, it is not fixed correctly, and the Belt (F) should be secured firmly again.

Except KD-85X8xL / 85X8xBL / 75X8xL / 75X8xBL, KM-85X8xL / 75X8xL, XR-85X9xL / 75X9xL, XRM-85X9xL / 75X9xL

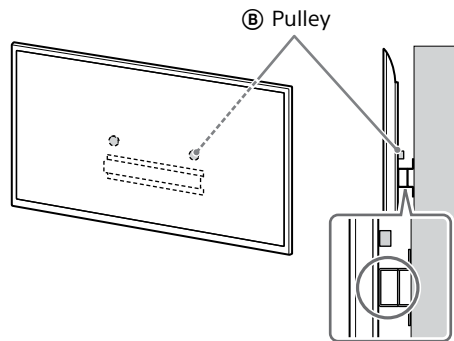
WARNING

- Two or more persons (three or more persons for 189.3 cm (75 inches) and above TV or LCD Monitor) are needed to transport a large TV or LCD Monitor (except Egypt).
Two or more persons (three or more persons for 75 inches (189.3 cm) and above TV or LCD Monitor) are needed to transport a large TV or LCD Monitor (Egypt only).



1 Lift the TV or LCD Monitor.

- For the location of the Pulleys (B) to hang on the Base (20) (A) or Base Adaptor (I), refer to "Base Adaptor (I) fitting location" on page 19.
- Make sure that the rear of the TV or LCD Monitor touches the Base (20) (A) or Base Adaptor (I) when holding the TV or LCD Monitor.

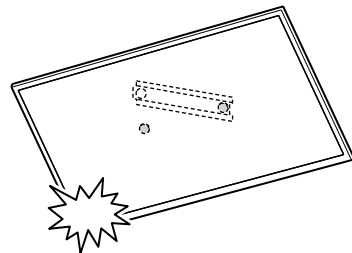


Note

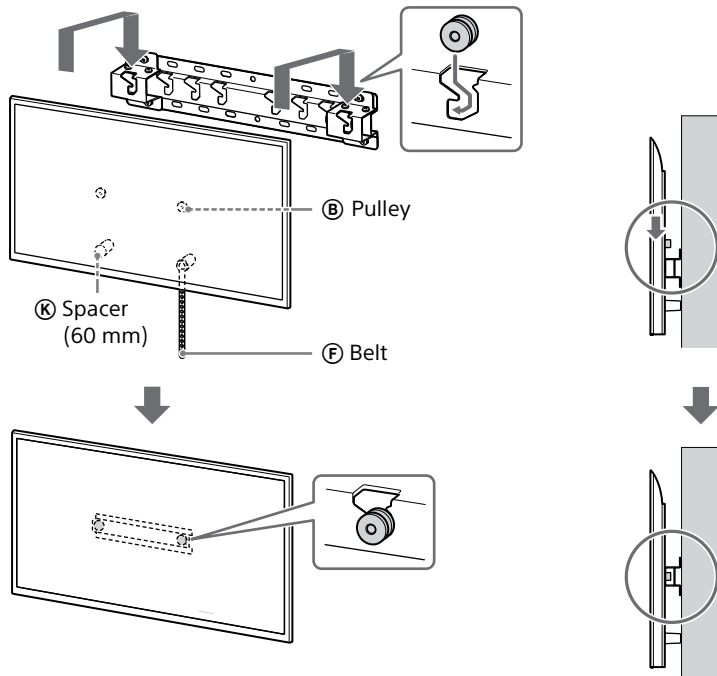
- Hold the TV or LCD Monitor securely with both hands.

2 Install the TV or LCD Monitor onto the Base (20) (A) or Base Adaptor (I).

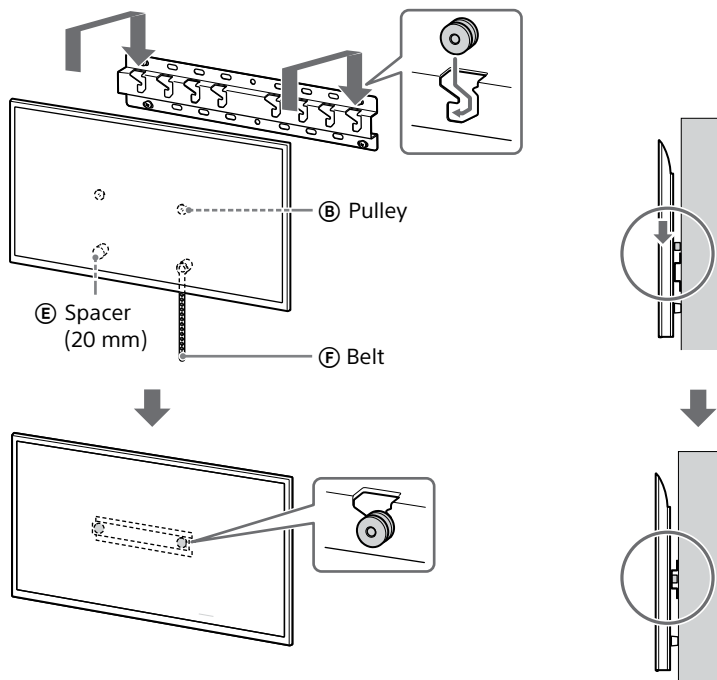
- Gently slide down the TV or LCD Monitor and hang the Pulleys (B) attached to the rear of the TV or LCD Monitor to the Base (20) (A) or Base Adaptor (I), making sure to confirm the shape of the holes.
- After installing the TV or LCD Monitor on the wall, confirm the Pulleys (B) are firmly latched into the Base (20) (A) or Base Adaptor (I).
- Release both hands slowly to ensure that the TV or LCD Monitor does not fall.



If standard mounting (2-a) is selected:

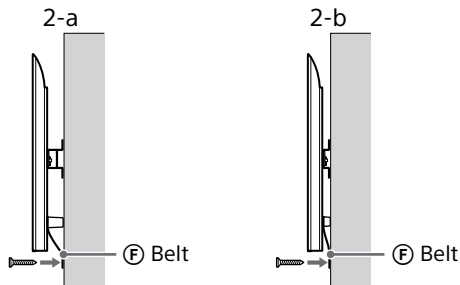


If slim mounting (2-b) is selected:



3 Preventing the bottom of the TV or LCD Monitor from shifting.

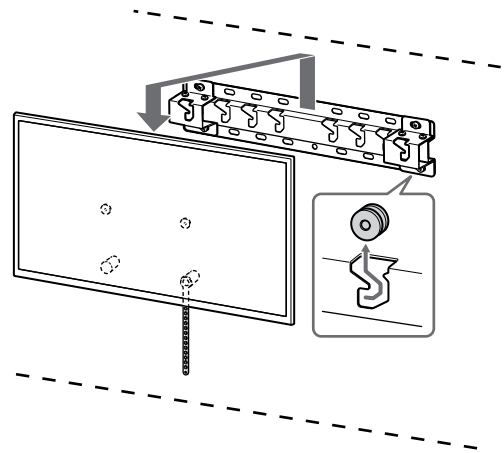
- Take up the slack of Belt (F) and attach it to the wall tightly.



- Use a 5 mm diameter screw or equivalent (not supplied).

Note

- Try to pull the bottom of the TV or LCD Monitor towards yourself slightly, to make sure that it does not move forward. If there is any movement, it is not fixed correctly, and the Belt (F) should be secured firmly again.



WARNING

- Two or more persons (three or more persons for 189.3 cm (75 inches) and above TV or LCD Monitor) are needed to transport a large TV or LCD Monitor (except Egypt).
Two or more persons (three or more persons for 75 inches (189.3 cm) and above TV or LCD Monitor) are needed to transport a large TV or LCD Monitor (Egypt only).

Confirming the Completion of the Installation

Check the following points.

- The Pulleys (B) are firmly hung onto the Base (20) (A) or Base Adaptor (1).
- The cord and the cable are not twisted or pinched.
- The Belt (F) is tight with no slack.

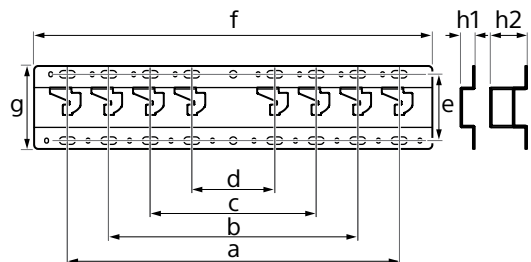
WARNING

- Improper placement of the AC power cord (mains lead), etc. may cause fire or electric shock through a short circuit. Be sure to confirm the completion of the installation for safety.

Other Information

When removing the TV or LCD Monitor, reverse the previous installation procedure.

Specifications



Dimensions: (Approx.) [mm]

- a : 400
- b : 300
- c : 200
- d : 100
- e : 80
- f : 480
- g : 100

h1 : 20 (for slim mounting, 2-b)

h2 : 60 (for standard mounting, 2-a)

Mass (base only): (Approx.) [kg]

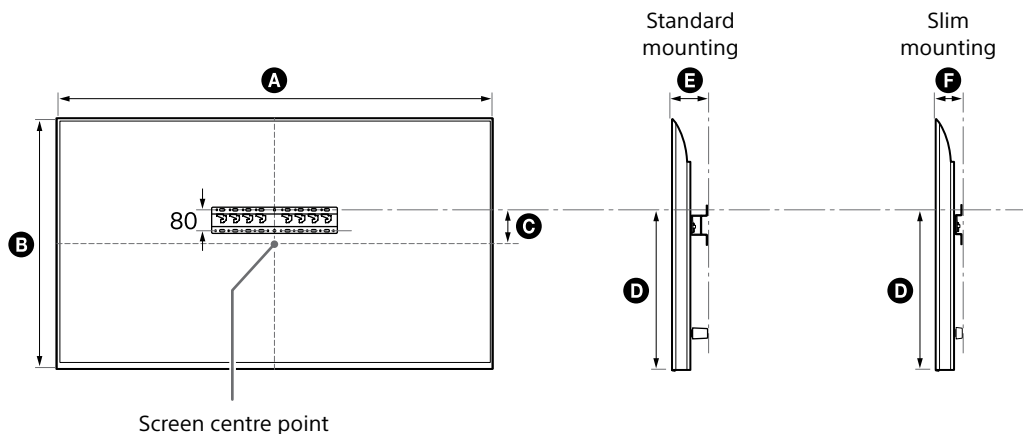
0.8

Design and specifications are subject to change without notice.

References

Measurement for Wall-Mount Bracket installation on the wall

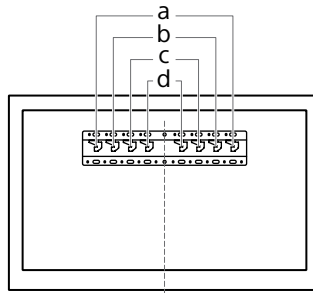
Figures in the table may differ slightly depending on the installation.



(mm)

Model Name	A	B	C	D	E	F
KD-85X81BL / 85X80L KM-85X80L	1901	1090	43	592	138	96
XR-85X90L XRM-85X90L	1891	1085	58	607	125	83
KD-75X85L KM-75X85L	1671	960	21	508	123	81
KD-75X81BL / 75X80L KM-75X80L	1675	962	12	493	137	95
XR-75X90L XRM-75X90L	1668	959	21	508	123	81
KD-65X85L / 65X85BL KM-65X85L	1447	832	85	505	123	81
KD-65X81BL / 65X80L KM-65X80L	1452	836	76	494	135	93
XR-65X90L XRM-65X90L	1445	831	85	505	123	81
KD-55X85L KM-55X85L	1228	709	146	505	122	81
KD-55X81BL / 55X80L KM-55X80L	1233	713	133	494	135	93
XR-55X90L XRM-55X90L	1225	707	146	505	122	81
KD-50X80L KM-50X80L	1119	649	63	392	133	91
KD-43X80L KM-43X80L	964	563	111	392	133	91

Base Adapter ① fitting location

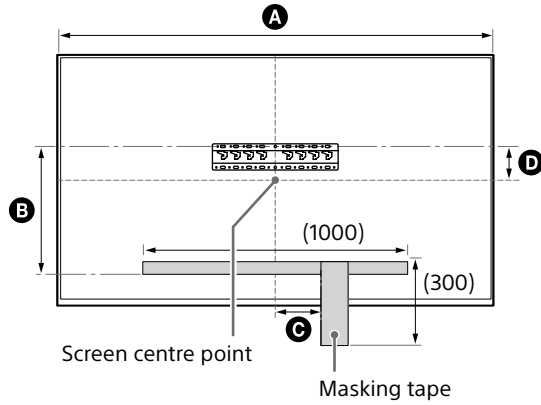


Model Name	Hook location
KD-85X81BL / 85X80L KM-85X80L XR-85X90L XRM-85X90L	a
KD-75X85L / 75X81BL / 75X80L KM-75X85L / 75X80L XR-75X90L XRM-75X90L	b
KD-65X85L / 65X85BL / 65X81BL / 65X80L KM-65X85L / 65X80L XR-65X90L XRM-65X90L	b

Model Name	Hook location
KD-55X85L / 55X81BL / 55X80L KM-55X85L / 55X80L XR-55X90L XRM-55X90L	b
KD-50X80L KM-50X80L	c
KD-43X80L KM-43X80L	c

EN

Wall marking for TV or LCD Monitor installation location



(mm)

Model Name	A	B	C	D
KD-85X81BL / 85X80L KM-85X80L	1901	472	200	43
XR-85X90L XRM-85X90L	1891	486	200	58
KD-75X85L KM-75X85L	1671	388	150	21
KD-75X81BL / 75X80L KM-75X80L	1675	373	150	12
XR-75X90L XRM-75X90L	1668	388	150	21

Informations d'installation pour l'utilisation du Support de fixation murale Sony (SU-WL450)

Modèles pris en charge*:

* Dans les noms de modèles réels, le « x »/« xx » indique des numéros et/ou des caractères spécifiques à chaque modèle.

KD-85X8xL / 85X8xBL / 75X8xL / 75X8xBL / 65X8xL / 65X8xBL / 55X8xL / 55X8xBL / 50X8xL / 43X8xL

KM-85X8xL / 75X8xL / 65X8xL / 55X8xL / 50X8xL / 43X8xL

XR-85X9xL / 75X9xL / 65X9xL / 55X9xL

XRM-85X9xL / 75X9xL / 65X9xL / 55X9xL

À l'attention des clients

Pour des raisons de protection du produit et de sécurité, Sony recommande vivement que l'installation de votre téléviseur ou moniteur LCD soit effectuée par un revendeur Sony ou un installateur agréé. N'essayez pas de l'installer vous-même.

A l'attention des revendeurs et installateurs Sony

Soyez particulièrement attentif à la sécurité pendant l'installation, l'entretien périodique et l'examen du produit.

Une certaine expérience est requise pour installer ce produit, en particulier pour déterminer la résistance du mur qui devra supporter le poids du téléviseur ou moniteur LCD. Veillez à confier la fixation de ce produit au mur à un revendeur Sony ou un installateur agréé et apportez une attention suffisante à la sécurité pendant l'installation. Sony n'est responsable d'aucun dégât ou blessure provoqué par une erreur de manipulation ou installation incorrecte.

Pour la sécurité et une installation correcte, suivez le Mode d'emploi du Support de fixation murale, le Guide d'installation du téléviseur ou moniteur LCD et les consignes de ce manuel.

Support de fixation murale

Sécurité

Nous vous remercions d'avoir fait l'acquisition de ce produit.

À l'attention des clients

Installation du téléviseur ou moniteur LCD au mur



AVERTISSEMENT

INSTALLATION PAR UN PROFESSIONNEL REQUISE

Ce produit doit être installé exclusivement par un installateur professionnel ayant été formé pour déterminer la résistance du mur qui devra soutenir le poids du téléviseur ou moniteur LCD. S'il est mal fixé lors de son installation, le téléviseur ou moniteur LCD peut tomber et provoquer des blessures graves. Sony ne saurait être tenue responsable de tout dommage ou de toute blessure découlant d'une mauvaise utilisation ou d'une installation incorrecte, ou encore de l'installation d'un produit autre que celui spécifié. Vos droits légaux (éventuels) ne sont pas affectés.

À l'attention des détaillants Sony

L'installation de ce produit exige un certain savoir-faire. Lisez ce mode d'emploi attentivement afin de procéder à l'installation en toute sécurité. Sony ne saurait être tenue responsable de tout dommage ou de toute blessure découlant d'une mauvaise utilisation ou d'une installation incorrecte. Une fois l'installation terminée, veuillez remettre ce manuel d'installation au client.

Ce mode d'emploi indique comment manipuler le produit correctement et contient des précautions essentielles à prendre pour éviter tout accident. Il vous incombe de lire, bien comprendre et suivre toutes les instructions de ce mode d'emploi. Ne pas respecter cette consigne peut entraîner des blessures ou des dommages matériels, et peut invalider la garantie. Conservez ce mode d'emploi pour toute référence ultérieure.

Les produits Sony sont conçus pour vous offrir le maximum de sécurité. Toutefois, si les produits sont utilisés de façon incorrecte, ils peuvent entraîner des blessures graves en provoquant un incendie ou l'électrocution, ou encore la chute de l'appareil hors de son support. Veuillez à observer les consignes de sécurité préconisées pour éviter de tels accidents.

ATTENTION

Produits spécifiés

Ce support de fixation murale est conçu pour être utilisé avec les téléviseurs ou moniteurs LCD spécifiés. Pour plus d'informations sur les téléviseurs ou moniteurs LCD, reportez-vous à leur Guide de référence pour vous assurer que vous pouvez bien utiliser le Support de fixation murale.

À l'attention des clients

AVERTISSEMENT

Le non-respect des consignes suivantes peut être fatal ou entraîner des blessures graves en provoquant un incendie, l'électrocution ou la chute de l'appareil.

Veillez à confier l'installation à du personnel agréé en tenant les petits enfants à l'écart pendant l'installation.

Si le support de fixation murale ou le téléviseur ou moniteur LCD n'est pas installé correctement, les accidents suivants peuvent se produire. Veillez à confier l'installation à des installateurs agréés.

- Le téléviseur ou moniteur LCD peut tomber et causer des blessures graves comme des hématomes ou des fractures.
- Si le mur sur lequel le support de fixation murale est fixé est instable, inégal ou non perpendiculaire au sol, l'appareil risque de tomber et de provoquer des blessures ou des dommages matériels. Le mur doit pouvoir supporter un poids équivalent à au moins quatre fois celui du téléviseur ou moniteur LCD. (Pour connaître le poids du téléviseur ou moniteur LCD, reportez-vous à son Guide de référence.)
- Si l'installation du support de fixation murale n'est pas assez solide, l'appareil risque de tomber et de provoquer des blessures ou des dommages matériels.

Veillez à confier le déplacement ou le démontage du téléviseur ou moniteur LCD à des installateurs agréés.

Si des personnes autres que des installateurs agréés transportent ou démontent le téléviseur ou moniteur LCD, celui-ci peut tomber et provoquer des blessures ou des dommages matériels. La présence de deux personnes ou plus (trois personnes ou plus pour les téléviseurs ou moniteurs LCD de 189,3 cm (75 pouces) et plus) est nécessaire pour le transport des téléviseurs ou moniteurs LCD de grande taille (sauf l'Égypte).

La présence de deux personnes ou plus (trois personnes ou plus pour les téléviseurs ou moniteurs LCD de 75 pouces (189,3 cm) et plus) est nécessaire pour le transport des téléviseurs ou moniteurs LCD de grande taille (Égypte uniquement).

Ne retirez pas les vis, etc. après l'installation du téléviseur ou moniteur LCD.

Dans ce cas, le téléviseur ou moniteur LCD pourrait tomber et provoquer des blessures ou des dommages matériels.

Ne modifiez pas les pièces du support de fixation murale.

Dans ce cas, le support de fixation murale pourrait tomber et provoquer des blessures ou des dommages matériels.

N'installez aucun appareil autre que ceux spécifiés.

Ce support de fixation murale est conçu pour être utilisé avec les produits spécifiés uniquement. Si vous installez un appareil autre que ceux qui sont spécifiés, il pourrait tomber ou se briser et provoquer des blessures ou des dommages matériels.

N'installez aucune charge autre que le téléviseur ou moniteur LCD sur le support de fixation murale.

Ne secouez pas le téléviseur ou moniteur LCD vers la gauche/droite, le haut/bas.

Dans ce cas, le téléviseur ou moniteur LCD pourrait tomber et provoquer des blessures ou des dommages matériels.

Ne vous appuyez pas sur le téléviseur ou moniteur LCD et ne vous y suspendez pas.

Ne vous appuyez pas sur le téléviseur ou moniteur LCD et ne vous y suspendez pas, car il risque de tomber et de causer des blessures graves.

ATTENTION

Le non-respect des consignes suivantes peut entraîner des blessures ou des dommages matériels.

- Veillez à stocker les pièces inutilisées en lieu sûr en vue d'une utilisation ultérieure. Tenez-les hors de portée des enfants.

N'appliquez aucune force excessive sur le produit au cours de l'entretien ou du nettoyage de l'appareil.

N'exercez aucune pression excessive sur le dessus du téléviseur ou moniteur LCD. Dans ce cas, le téléviseur ou moniteur LCD pourrait tomber et provoquer des blessures ou des dommages matériels.

FR

Précautions

- Si vous utilisez le téléviseur ou moniteur LCD fixé au support de fixation murale pendant une longue période, le mur situé derrière le téléviseur ou moniteur LCD ou au-dessus de celui-ci peut se décolorer, ou encore le papier peint peut se décoller, selon le matériau du mur.
- Les trous des vis restent apparents si vous démontez le support de fixation murale après son installation.
- N'utilisez pas le support de fixation murale dans un endroit soumis à des vibrations mécaniques.

Installation du support de fixation murale

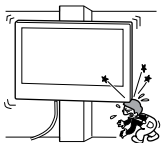
À l'attention des détaillants Sony

AVERTISSEMENT

Les instructions suivantes concernent les détaillants Sony uniquement. Lisez attentivement les consignes de sécurité ci-dessus et accordez une attention particulière à la sécurité lors de l'installation, de l'entretien et de la vérification de ce produit.

N'installez pas le support de fixation murale sur une surface où les coins ou les côtés du téléviseur ou moniteur LCD dépasseraient.

N'installez pas le support de fixation murale sur une surface verticale telle qu'une colonne, où les coins ou les côtés du téléviseur ou moniteur LCD dépasseraient de la surface murale. Si une personne ou un objet venait à heurter le coin ou les côtés du téléviseur ou moniteur LCD, ceci risquerait de provoquer des blessures ou des dommages matériels.

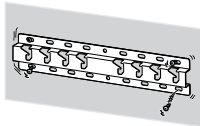


N'installez pas le téléviseur ou moniteur LCD sur ou sous un climatiseur.

L'exposition prolongée du téléviseur ou moniteur LCD à des fuites d'eau ou à des courants d'air provenant du climatiseur pourrait provoquer un incendie, l'électrocution ou des problèmes de fonctionnement du téléviseur ou moniteur LCD.

Veillez à installer le support de fixation murale solidement en suivant les instructions de ce mode d'emploi.

S'il manque des vis ou si elles sont desserrées, le support de fixation murale pourrait tomber et provoquer des blessures ou des dommages matériels. Veillez à utiliser les vis appropriées selon le matériau du mur et installez l'appareil solidement en utilisant au moins quatre vis de 8 mm de diamètre (ou équivalentes).



Veillez à utiliser correctement les vis et les pièces de fixation fournies conformément aux instructions du mode d'emploi. Si vous utilisez d'autres éléments de fixation, le téléviseur ou moniteur LCD pourrait tomber et causer des blessures corporelles, ou le téléviseur ou moniteur LCD pourrait être endommagé.

Veillez à monter le support correctement en suivant la procédure décrite dans ce mode d'emploi.

S'il manque des vis ou si elles sont desserrées, le téléviseur ou moniteur LCD pourrait tomber et causer des blessures corporelles, ou le téléviseur ou moniteur LCD pourrait être endommagé.

Veillez à serrer les vis solidement dans la position indiquée.

Si vous ne le faites pas, le téléviseur ou moniteur LCD pourrait tomber et causer des blessures corporelles, ou le téléviseur ou moniteur LCD pourrait être endommagé.

Veillez à ne pas soumettre le téléviseur ou moniteur LCD à des chocs pendant l'installation.

Si le téléviseur ou moniteur LCD subit des chocs, il pourrait tomber ou se briser. Ceci pourrait causer des blessures.

Veillez à installer le téléviseur ou moniteur LCD sur un mur parfaitement vertical et plat.

Dans le cas contraire, le téléviseur ou moniteur LCD pourrait tomber et provoquer des blessures.

Une fois le téléviseur ou moniteur LCD installé correctement, fixez solidement les câbles.

Si des personnes ou des objets s'accrochent aux câbles, ceci risque de provoquer des blessures ou d'endommager le téléviseur ou moniteur LCD.

Veillez à ce que le cordon d'alimentation CA ou le câble de raccordement ne soit pas coincé ni écrasé.

Si le cordon d'alimentation CA ou le câble de raccordement est coincé entre l'appareil et le mur, ou s'il est plié ou tordu, les conducteurs internes peuvent être exposés et provoquer un court-circuit ou une coupure électrique. Un incendie ou l'électrocution pourrait en résulter.



Les vis nécessaires à l'installation du support de fixation murale au mur ne sont pas fournies.

Utilisez les vis appropriées selon le matériau et la structure du mur lors du montage du support de fixation murale.

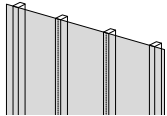
Avant de commencer

- Les illustrations du téléviseur ou du moniteur LCD montrées dans ce mode d'emploi sont des exemples utilisés pour fournir des explications claires sur les opérations. Pour cette raison, les illustrations peuvent sembler différentes de votre téléviseur ou de votre moniteur LCD réel.

De quoi est faite votre cloison ?

Vérifiez d'abord le type de cloison où vous allez installer le téléviseur ou moniteur LCD.

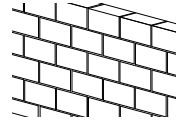
Cloison sèche avec montants



Précautions

- Épaisseur maximale du mur sec : 16 mm.
- Assurez-vous que la taille du montant en bois intérieur est d'au moins 51 mm × 102 mm pour commun ou 38 mm × 89 mm pour nominal.

Béton plein ou bloc de béton



Précautions

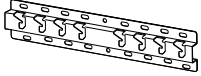








- Montez le support de fixation murale directement dans le mur en béton plein.
- Assurez-vous que l'épaisseur du mur en béton plein est d'au moins 203 mm.
- Assurez-vous que la taille de chaque bloc de béton est au moins de 203 mm × 203 mm × 406 mm.

FR




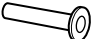

Vérification des pièces

Fournies avec le SU-WL450


- Vérifiez que vous disposez de toutes les pièces.

<p>Ⓐ Base (20) (x1)</p> 	<p>Ⓑ Poulie (x2)</p> 	<p>Ⓒ Vis (+PSW 6 x 20) (x4)</p> 	<p>Ⓔ Entretoise (20 mm) (x2)</p> 
<p>Ⓕ Courroie (x1)</p> 	<p>Ⓘ Adaptateur de base (x2)</p> 	<p>Ⓙ Vis (+PSW 4 x 10) (x8)</p> 	<p>Ⓚ Entretoise (60 mm) (x2)</p> 
<p>Ⓛ Vis (+PSW 6 x 50) (x2)</p> 			

- Ces pièces ne peuvent pas être utilisées pour votre modèle.

<p>Ⓓ Vis (+PSW 4 x 20) avec manchon (x2)</p> 	<p>ⓐ Manchon (20) (M4) (x2)</p> 	<p>ⓓ Vis (+PSW 4 x 20) (x2)</p> 	<p>Ⓜ Manchon (M4) (x2)</p> 
<p>Ⓝ Vis (+PSW 4 x 50) (x2)</p> 			



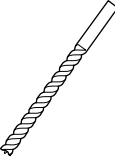
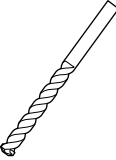
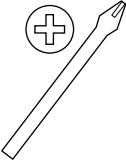
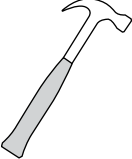
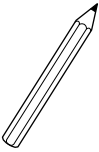
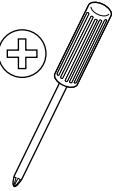
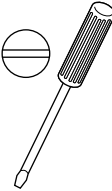
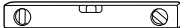




Fournie avec le téléviseur ou moniteur LCD

<p>Accessoire de fixation murale VS (x4)*</p> 
--

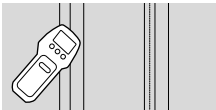
- * Uniquement pour certaines régions, certains pays ou certains modèles.

Préparation de l'installation

- Gardez le Guide de référence du téléviseur ou moniteur LCD et le Guide d'installation à portée de main avant l'installation.
- Vérifiez la position d'installation de votre téléviseur ou moniteur LCD.
- Préparez au moins quatre vis de 8 mm de diamètre et une vis de 5 mm ou équivalente (non fournies). Choisissez des vis adaptées au matériau et au mur.
- Préparez les outils suivants :

*1 		 5,5 mm	 10 mm	
*2 		 1,5 N·m {15 kgf·cm}	*3  1,5 N·m {15 kgf·cm}	
	*2  (x4)	 (x4) 8 mm x 60 mm	 5 mm	
*4 				

*1 Uniquement pour une cloison sèche avec montants



*2 Uniquement pour du béton plein ou un bloc de béton

*3 Selon les modèles

*4 Uniquement pour les téléviseurs ou les moniteurs LCD de 189,3 cm (75 pouces) et plus (sauf l'Égypte)

Uniquement pour les téléviseurs ou les moniteurs LCD de 75 pouces (189,3 cm) et plus (Égypte uniquement)

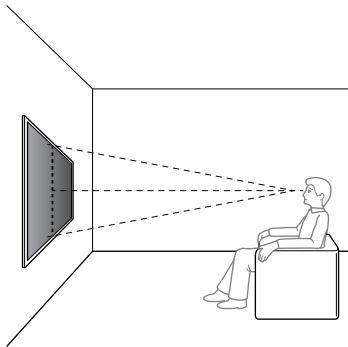
Installation du support de fixation murale au mur

1 Choisissez l'emplacement d'installation.

Assurez-vous que le mur dispose d'un espace suffisant pour le téléviseur ou moniteur LCD et qu'il peut supporter un poids équivalent à au moins quatre fois celui du téléviseur ou moniteur LCD. Pour connaître le poids du téléviseur ou moniteur LCD, reportez-vous au Guide de référence du téléviseur ou moniteur LCD.

Remarque

- Lorsque votre téléviseur ou moniteur LCD est installé au mur, la partie supérieure du téléviseur ou moniteur LCD penche légèrement vers l'avant.
- Nous vous recommandons de vérifier la position du téléviseur ou moniteur LCD dans l'environnement visuel.



2 Sélectionnez le style de fixation murale comme indiqué ci-dessous.

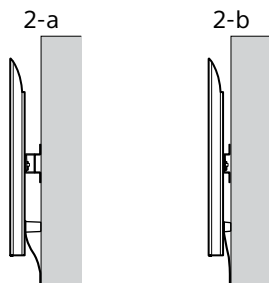
2-a: Montage standard

2-b: Montage fin

- Reportez-vous à « Mesures pour l'installation d'un support de fixation murale sur le mur » à la page 18.

AVERTISSEMENT

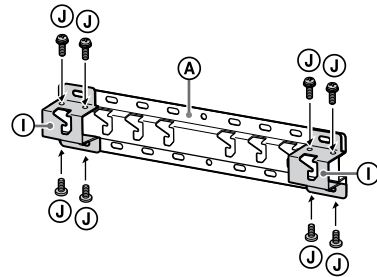
- Lorsque 2-b est sélectionné, l'accès à la borne arrière est limité.



3 Si le montage standard (2-a) est sélectionné :

Montez l'adaptateur de base ① en utilisant la vis (+PSW 4 × 10) ② sur la base (20) ③.

- Reportez-vous à « Emplacement de fixation de l'adaptateur de base ① » à la page 19.



Ex.: Montage de l'adaptateur de base ① à l'emplacement « a »

Si le montage fin (2-b) est sélectionné :

Omettez cette étape.

4 Déterminez les positions des vis pour l'installation de la base (20) ③.

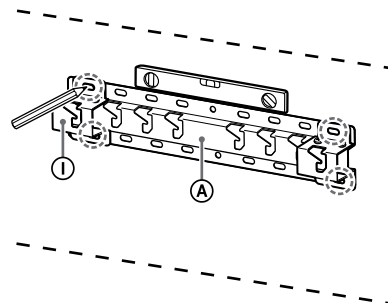
- Reportez-vous à « Spécifications » à la page 17.

AVERTISSEMENT

- Déterminez la solidité du mur sur lequel vous allez installer le téléviseur ou moniteur LCD. Au besoin, renforcez suffisamment le mur.
- Le mur sur lequel vous installez le téléviseur ou moniteur LCD doit pouvoir supporter un poids équivalent à au moins **quatre fois** celui du téléviseur ou moniteur LCD. (Pour connaître le poids du téléviseur ou moniteur LCD, reportez-vous à son Guide de référence.)

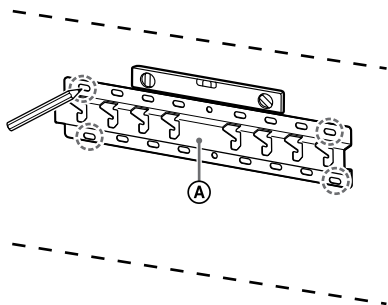
Si le montage standard (2-a) est sélectionné :

Utilisez les positions des trous de l'adaptateur de base ①.



Ex.: Marquage à l'emplacement « a » pour s'adapter à la base (20) ③

Si le montage fin (2-b) est sélectionné :

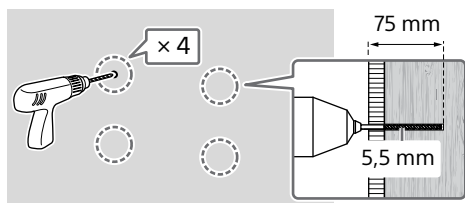


Ex.: Marquage à l'emplacement « a » pour s'adapter à la base (20) (A)

5 Percez des trous de guidage sur les repères.

Assurez-vous que l'emplacement sur le mur où vous souhaitez percer les trous est suffisamment solide pour supporter un poids équivalent à au moins quatre fois celui du téléviseur ou moniteur LCD.

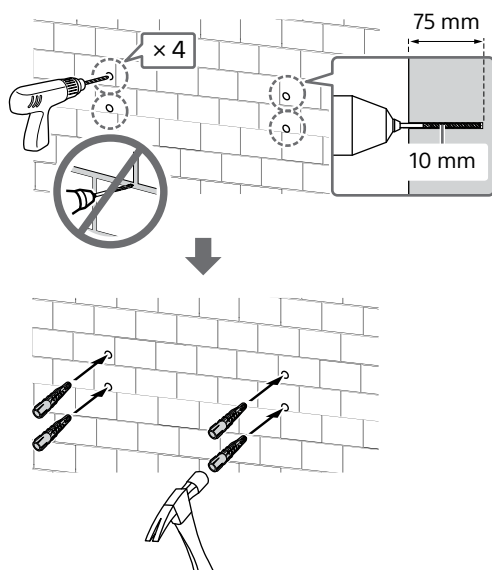
Perçage sur une cloison sèche avec montants:



Remarque

- Les trous de guidage doivent être percés à une profondeur de 75 mm, à l'aide d'une mèche de 5,5 mm.

Perçage sur du béton plein ou un bloc de béton:



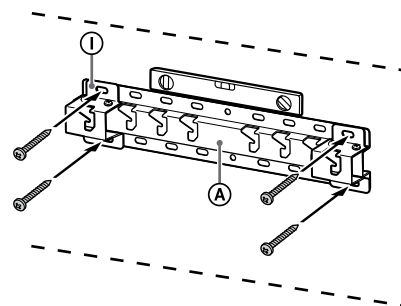
6 Installez la Base (20) (A) sur la cloison à l'aide des vis adaptées (non fournies).

Remarque

- Utilisez au moins quatre vis de 8 mm de diamètre ou équivalentes (non fournies).
- Utilisez un niveau pour vérifier si la Base (20) (A) est de niveau.

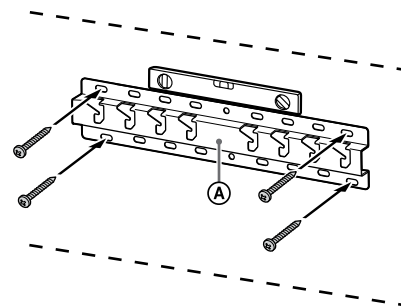
Si le montage standard (2-a) est sélectionné :

Insérez quatre vis dans les orifices de l'adaptateur de base (1) avec la base (20) (A).



Ex.: Montage de la base (20) (A) à l'emplacement « a »

Si le montage fin (2-b) est sélectionné :



Ex.: Montage de la base (20) (A) à l'emplacement « a »

7 KD-85X8xL / 85X8xBL / 75X8xL / 75X8xBL, KM-85X8xL / 75X8xL, XR-85X9xL / 75X9xL, XRM-85X9xL / 75X9xL uniquement

Marquez l'emplacement de l'installation sur le mur.

Utilisez du ruban de masquage, etc. (non fourni) pour marquer l'emplacement du téléviseur ou moniteur LCD à proximité de la base (20) (A) ou de l'adaptateur de base (1).

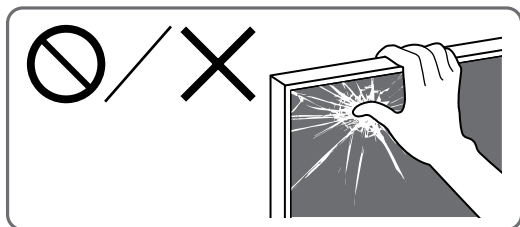
- Reportez-vous à « Marquage mural de l'emplacement d'installation du téléviseur ou du moniteur LCD » à la page 20.

Sauf KD-85X8xL / 85X8xBL / 75X8xL / 75X8xBL, KM-85X8xL / 75X8xL, XR-85X9xL / 75X9xL, XRM-85X9xL / 75X9xL
Omettez cette étape.

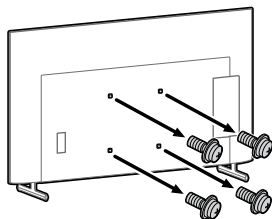
Préparation à l'installation du téléviseur ou moniteur LCD

Remarque

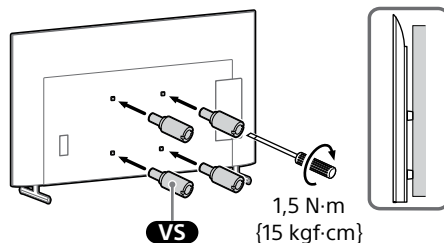
- Les vis que vous retirez et les pièces inutilisées doivent être rangées en lieu sûr, hors de portée des enfants.



- 1 Attachez le support de table pour que le téléviseur ou le moniteur LCD tienne debout.
 - Reportez-vous au Guide d'installation du téléviseur ou moniteur LCD.
- 2 Retirez les vis à l'arrière du téléviseur ou moniteur LCD.



- 3 Fixez l'accessoire de fixation murale **VS** (fourni avec le téléviseur ou moniteur LCD) à l'arrière du téléviseur ou moniteur LCD (pour le rendre parallèle au mur).



Remarque

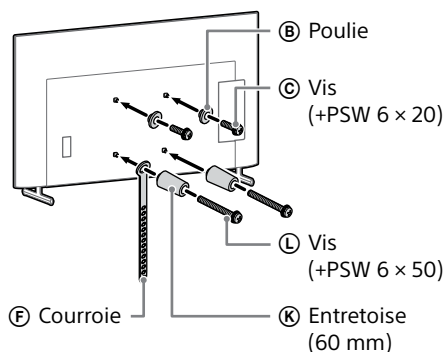
- Assurez-vous de serrer l'accessoire de fixation murale **VS** lorsque vous le fixez au téléviseur ou au moniteur LCD. Utilisez uniquement un tournevis à tête plate pour installer l'accessoire de fixation murale **VS**. L'utilisation d'un autre outil pourrait provoquer le serrage excessif de l'accessoire de fixation murale **VS** et endommager le téléviseur ou le moniteur LCD.

- 4 Installez les pièces de fixation du Support de fixation murale. Vérifiez les pièces de fixation en vous référant à « Fournies avec le SU-WL450 » dans « Vérification des pièces » à la page 6.

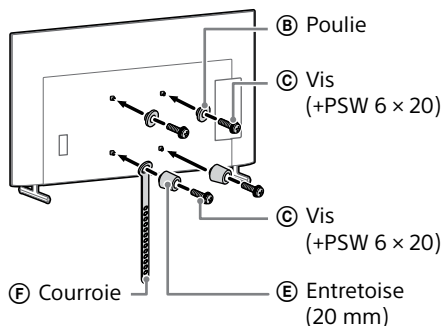
Remarque

- Fixez convenablement les pièces de fixation à l'aide des vis.
- Si vous utilisez un tournevis électrique, réglez son couple sur 1,5 N·m {15 kgf·cm} environ.

Si le montage standard (2-a) est sélectionné :



Si le montage fin (2-b) est sélectionné :



5 Raccordez le(s) câble(s) requis au téléviseur ou moniteur LCD.

Veillez à raccorder les câbles avant d'installer le téléviseur ou moniteur LCD au mur. Vous ne pourrez plus raccorder les câbles une fois le téléviseur ou moniteur LCD installé.

Remarque

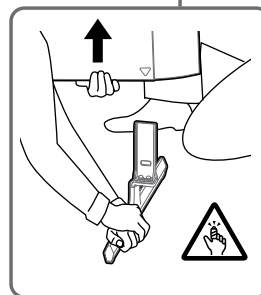
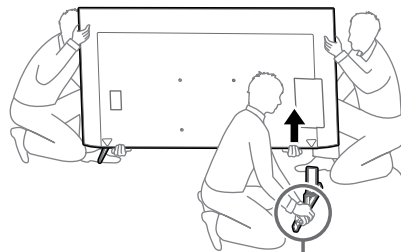
- Confiez l'acheminement du câble dans le mur à un installateur agréé.
- Avant l'installation au mur, regroupez les câbles de raccordement afin d'éviter de les piétiner.

6 Détachez le support de table du téléviseur ou moniteur LCD.

L'illustration suivante montre un exemple de l'opération.

Sauf KD-75X85L / 65X85L / 65X85BL / 55X85L, KM-75X85L / 65X85L / 55X85L, XR-85X90L / 75X90L / 65X90L / 55X90L, XRM-85X90L / 75X90L / 65X90L / 55X90L

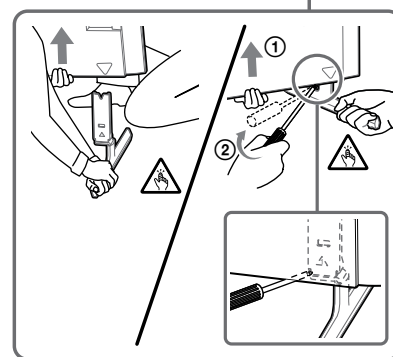
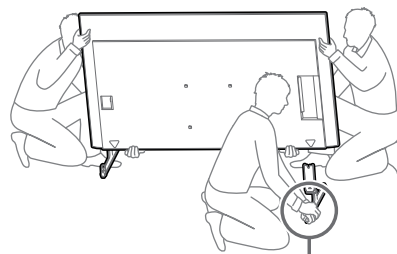
- Retirez un côté du support de table à la fois. Tenez fermement le support de table à deux mains pendant que les autres personnes soulèvent le téléviseur ou moniteur LCD.



- Répétez l'étape précédente et retirez l'autre côté du support de table.

KD-75X85L / 65X85L / 65X85BL / 55X85L, KM-75X85L / 65X85L / 55X85L uniquement

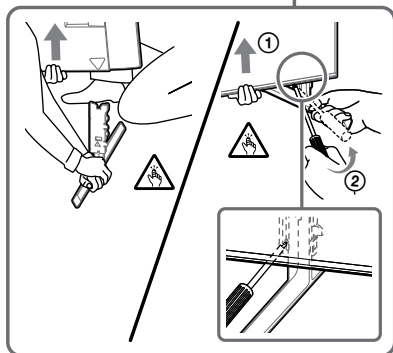
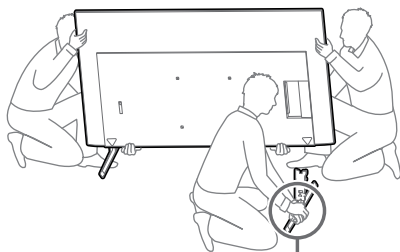
- Retirez un côté du support de table à la fois. Tenez fermement le support de table à deux mains pendant que les autres personnes soulèvent le téléviseur ou moniteur LCD.



- Répétez l'étape précédente et retirez l'autre côté du support de table.

XR-85X90L / 75X90L / 65X90L / 55X90L,
XRM-85X90L / 75X90L / 65X90L / 55X90L
uniquement

- Retirez un côté du support de table à la fois. Tenez fermement le support de table à deux mains pendant que les autres personnes soulèvent le téléviseur ou moniteur LCD.



- Répétez l'étape précédente et retirez l'autre côté du support de table.

Remarque

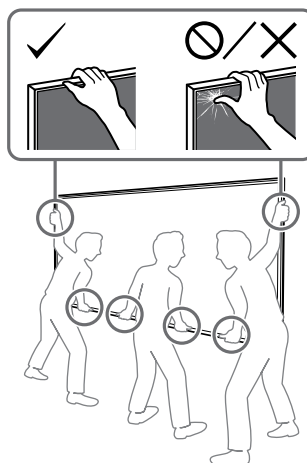
- La présence de trois personnes ou plus est nécessaire pour détacher le support de table.
- Veillez à ne pas exercer de force excessive en détachant le support de table du téléviseur ou moniteur LCD car ce dernier pourrait tomber et occasionner des blessures corporelles, ou le téléviseur ou moniteur LCD pourrait être endommagé.
- Lorsque vous manipulez le support de table, prenez soin d'éviter d'endommager le téléviseur ou moniteur LCD.
- Faites preuve de prudence lorsque vous soulevez le téléviseur ou moniteur LCD alors que le support de table est détaché, car le support de table pourrait se renverser et provoquer des blessures.
- Faites attention lorsque vous retirez le support de table du téléviseur ou moniteur LCD afin d'éviter qu'il ne tombe et endommage la surface sur laquelle repose le téléviseur ou moniteur LCD.

Installation du téléviseur ou moniteur LCD au mur

KD-85X8xL / 85X8xBL / 75X8xL / 75X8xBL, KM-85X8xL / 75X8xL, XR-85X9xL / 75X9xL, XRM-85X9xL / 75X9xL uniquement

AVERTISSEMENT

- La présence de deux personnes ou plus (trois personnes ou plus pour les téléviseurs ou moniteur LCD de 189,3 cm (75 pouces) et plus) est nécessaire pour le transport des téléviseurs ou moniteurs LCD de grande taille (sauf l'Égypte).
La présence de deux personnes ou plus (trois personnes ou plus pour les téléviseurs ou moniteur LCD de 75 pouces (189,3 cm) et plus) est nécessaire pour le transport des téléviseurs ou moniteurs LCD de grande taille (Égypte uniquement).



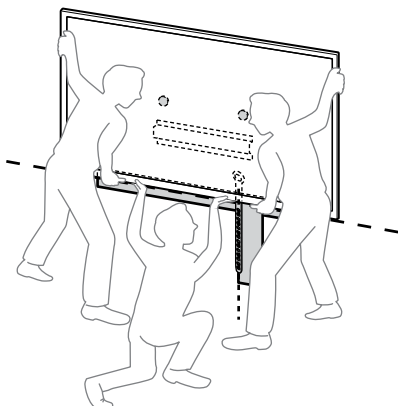
1 Soulevez le téléviseur ou moniteur LCD.

- Pour connaître l'emplacement des poulies ② à accrocher à la base (20) ① ou à l'adaptateur de base ①, reportez-vous à « Emplacement de fixation de l'adaptateur de base ① » à la page 19.
- Veillez à ce que l'arrière du téléviseur ou moniteur LCD touche la base (20) ① ou l'adaptateur de base ① lorsque vous saisissez le téléviseur ou moniteur LCD.

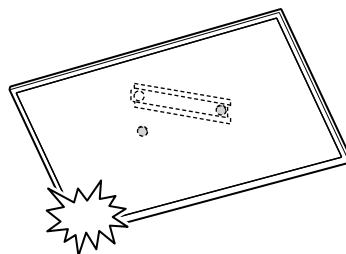
Remarque

- Saisissez solidement le téléviseur ou moniteur LCD avec les deux mains et veillez à ce que la courroie ⑤ et le bas du téléviseur ou moniteur LCD s'alignent avec le ruban de masquage.

- Portez le téléviseur ou moniteur LCD avec trois personnes, la personne se trouvant à l'avant du téléviseur ou moniteur LCD guidant les autres pour ajuster la position.

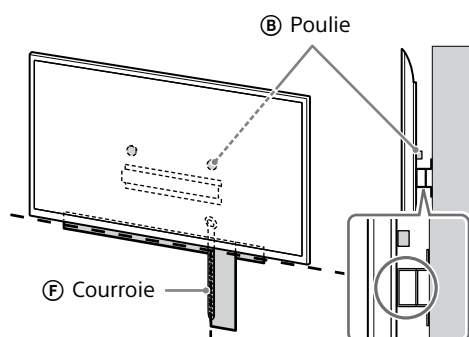


- Retirez les deux mains lentement pour vous assurer que le téléviseur ou moniteur LCD ne tombe pas.



- Après avoir installé le téléviseur ou moniteur LCD au mur, retirez le ruban de masquage, etc. du mur.

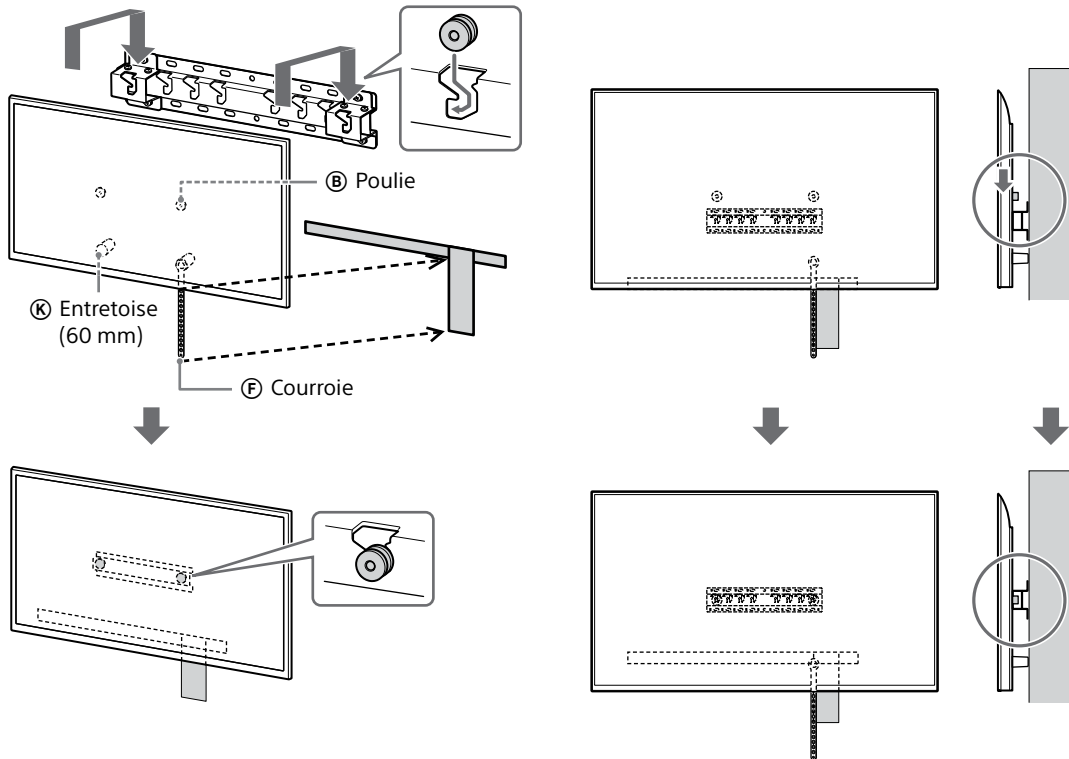
- Faites très attention lors de l'installation du téléviseur ou moniteur LCD au mur, en particulier pour la personne qui soutient le téléviseur ou moniteur LCD par le bas, le téléviseur ou le moniteur LCD peut tomber et occasionner de graves blessures corporelles, voire la mort.



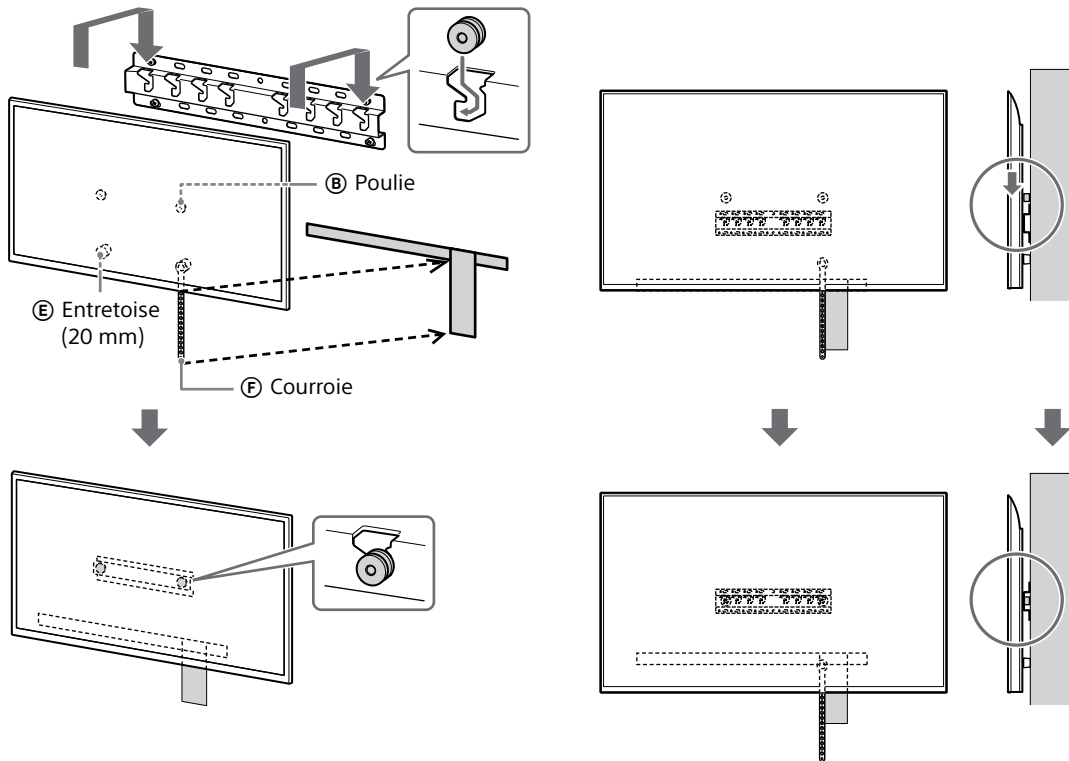
2 Installez le téléviseur ou moniteur LCD sur la base (20) (A) ou l'adaptateur de base (I).

- Faites doucement coulisser le téléviseur ou moniteur LCD vers le bas et accrochez les poulies (B) fixées à l'arrière du téléviseur ou moniteur LCD à la base (20) (A) ou à l'adaptateur de base (I), en veillant à vérifier la forme des trous.
- Après avoir installé le téléviseur ou moniteur LCD au mur, vérifiez que les poulies (B) sont fermement enclenchées dans la base (20) (A) ou l'adaptateur de base (I).

Si le montage standard (2-a) est sélectionné :

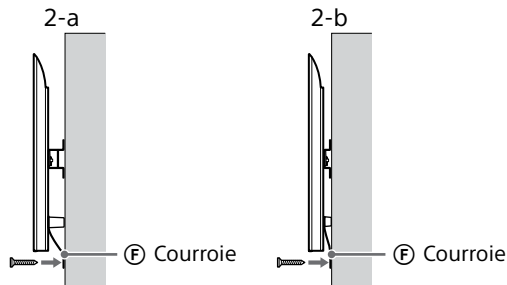


Si le montage fin (2-b) est sélectionné :



3 Maintien en place du dessous du téléviseur ou moniteur LCD.

- Supprimez le jeu de la courroie (F) et attachez-la solidement au mur.



- Utilisez une vis de 5 mm de diamètre ou équivalente (non fournie).

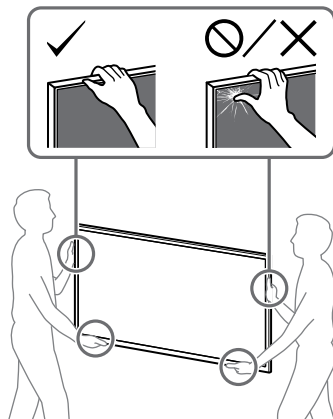
Remarque

- Essayez de tirer légèrement le dessous du téléviseur ou moniteur LCD vers vous pour vous assurer qu'il n'avance pas. S'il a du mouvement, cela signifie qu'il n'est pas fixé correctement et qu'il faut à nouveau fixer solidement la courroie (F).

Sauf KD-85X8xL / 85X8xBL / 75X8xL / 75X8xBL, KM-85X8xL / 75X8xL, XR-85X9xL / 75X9xL, XRM-85X9xL / 75X9xL

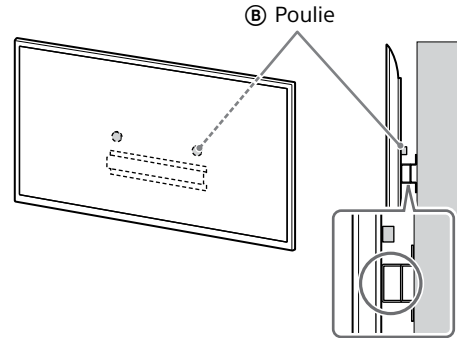
AVERTISSEMENT

- La présence de deux personnes ou plus (trois personnes ou plus pour les téléviseurs ou moniteur LCD de 189,3 cm (75 pouces) et plus) est nécessaire pour le transport des téléviseurs ou moniteurs LCD de grande taille (sauf l'Égypte).
La présence de deux personnes ou plus (trois personnes ou plus pour les téléviseurs ou moniteur LCD de 75 pouces (189,3 cm) et plus) est nécessaire pour le transport des téléviseurs ou moniteurs LCD de grande taille (Égypte uniquement).



1 Soulevez le téléviseur ou moniteur LCD.

- Pour connaître l'emplacement des poulies (B) à accrocher à la base (20) (A) ou à l'adaptateur de base (I), reportez-vous à « Emplacement de fixation de l'adaptateur de base (I) » à la page 19.
- Veillez à ce que l'arrière du téléviseur ou moniteur LCD touche la base (20) (A) ou l'adaptateur de base (I) lorsque vous saisissez le téléviseur ou moniteur LCD.

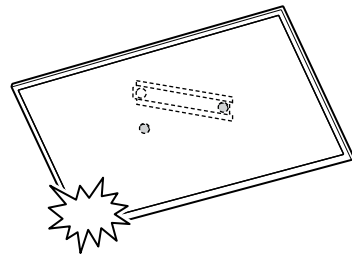


Remarque

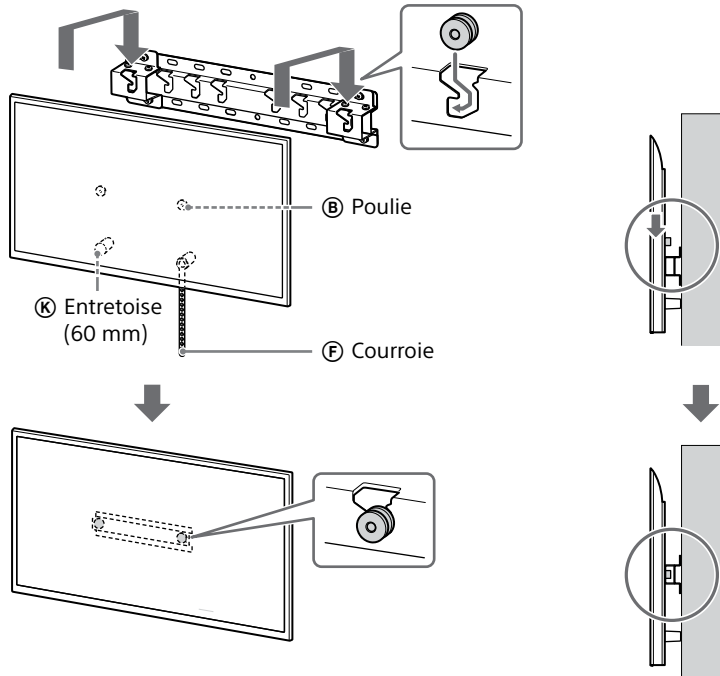
- Saisissez solidement le téléviseur ou moniteur LCD avec les deux mains.

2 Installez le téléviseur ou moniteur LCD sur la base (20) (A) ou l'adaptateur de base (I).

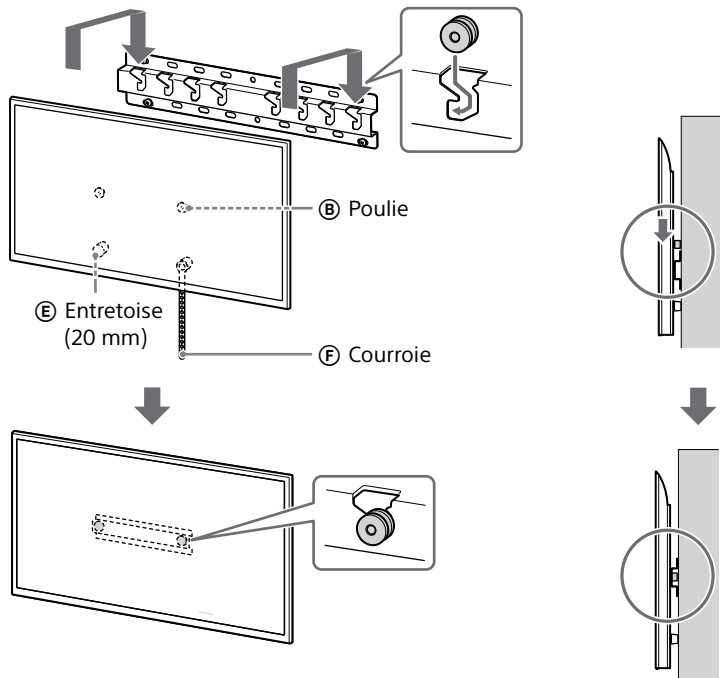
- Faites doucement coulisser le téléviseur ou moniteur LCD vers le bas et accrochez les poulies (B) fixées à l'arrière du téléviseur ou moniteur LCD à la base (20) (A) ou à l'adaptateur de base (I), en veillant à vérifier la forme des trous.
- Après avoir installé le téléviseur ou moniteur LCD au mur, vérifiez que les poulies (B) sont fermement enclenchées dans la base (20) (A) ou l'adaptateur de base (I).
- Retirez les deux mains lentement pour vous assurer que le téléviseur ou moniteur LCD ne tombe pas.



Si le montage standard (2-a) est sélectionné :

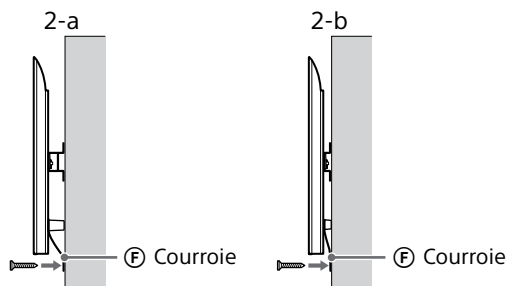


Si le montage fin (2-b) est sélectionné :



3 Maintien en place du dessous du téléviseur ou moniteur LCD.

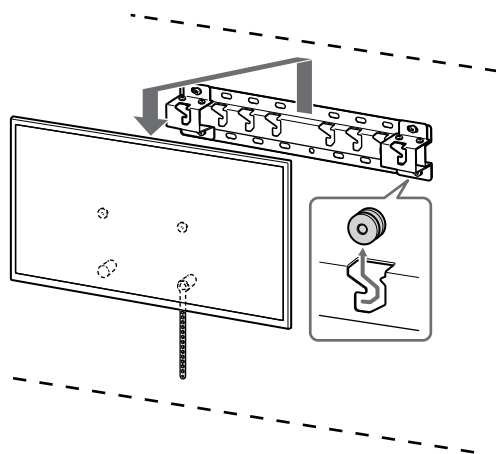
- Supprimez le jeu de la courroie (F) et attachez-la solidement au mur.



- Utilisez une vis de 5 mm de diamètre ou équivalente (non fournie).

Remarque

- Essayez de tirer légèrement le dessous du téléviseur ou moniteur LCD vers vous pour vous assurer qu'il n'avance pas. S'il y a du mouvement, cela signifie qu'il n'est pas fixé correctement et qu'il faut à nouveau fixer solidement la courroie (F).



AVERTISSEMENT

- La présence de deux personnes ou plus (trois personnes ou plus pour les téléviseurs ou moniteurs LCD de 189,3 cm (75 pouces) et plus) est nécessaire pour le transport des téléviseurs ou moniteurs LCD de grande taille (sauf l'Égypte). La présence de deux personnes ou plus (trois personnes ou plus pour les téléviseurs ou moniteurs LCD de 75 pouces (189,3 cm) et plus) est nécessaire pour le transport des téléviseurs ou moniteurs LCD de grande taille (Égypte uniquement).

Vérification de l'achèvement de l'installation

Vérifiez les points suivants.

- Les poulies (B) sont solidement accrochées à la base (20) (A) ou à l'adaptateur de base (1).
- Le cordon et le câble ne sont pas tordus ou coincés.
- La courroie (F) est bien tendue.

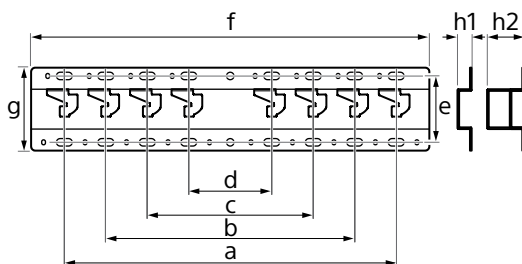
AVERTISSEMENT

- Si le cordon d'alimentation CA ou autre n'est pas correctement installé, un court-circuit pourrait survenir et provoquer un incendie ou l'électrocution. Pour votre sécurité, vérifiez que l'installation est effectuée complètement.

Informations complémentaires

Lors du retrait du téléviseur ou moniteur LCD, inversez la procédure d'installation décrite précédemment.

Spécifications



Dimensions : (Environ) [mm]

- a : 400
- b : 300
- c : 200
- d : 100
- e : 80
- f : 480
- g : 100

h1 : 20 (pour le montage fin, 2-b)

h2 : 60 (pour le montage standard, 2-a)

Poids (base seule) : (Environ) [kg]

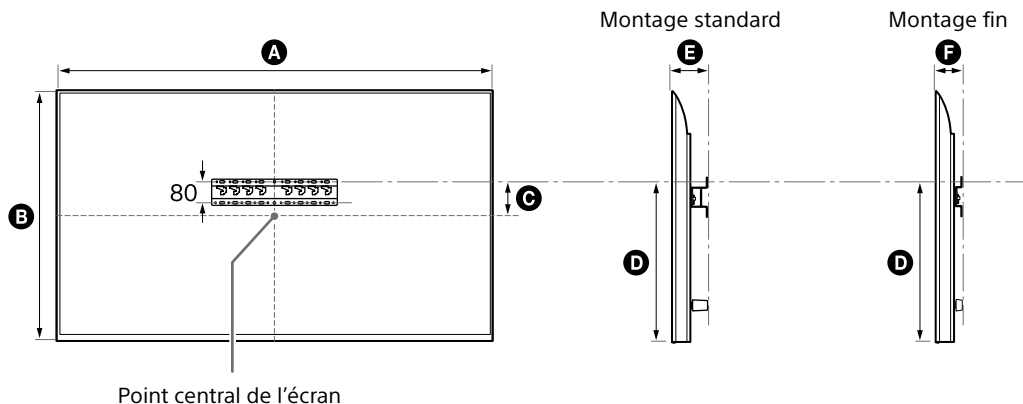
0,8

La conception et les spécifications sont sujettes à modification sans préavis.

Références

Mesures pour l'installation d'un support de fixation murale sur le mur

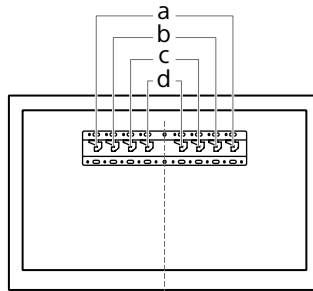
Les valeurs indiquées dans le tableau peuvent être légèrement différentes selon l'installation.



(mm)

Nom du modèle	A	B	C	D	E	F
KD-85X81BL / 85X80L KM-85X80L	1901	1090	43	592	138	96
XR-85X90L XRM-85X90L	1891	1085	58	607	125	83
KD-75X85L KM-75X85L	1671	960	21	508	123	81
KD-75X81BL / 75X80L KM-75X80L	1675	962	12	493	137	95
XR-75X90L XRM-75X90L	1668	959	21	508	123	81
KD-65X85L / 65X85BL KM-65X85L	1447	832	85	505	123	81
KD-65X81BL / 65X80L KM-65X80L	1452	836	76	494	135	93
XR-65X90L XRM-65X90L	1445	831	85	505	123	81
KD-55X85L KM-55X85L	1228	709	146	505	122	81
KD-55X81BL / 55X80L KM-55X80L	1233	713	133	494	135	93
XR-55X90L XRM-55X90L	1225	707	146	505	122	81
KD-50X80L KM-50X80L	1119	649	63	392	133	91
KD-43X80L KM-43X80L	964	563	111	392	133	91

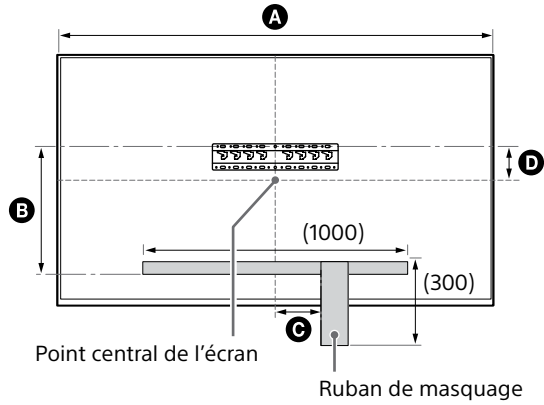
Emplacement de fixation de l'adaptateur de base ①



Nom du modèle	Emplacements des crochets	Nom du modèle	Emplacements des crochets
KD-85X81BL / 85X80L KM-85X80L XR-85X90L XRM-85X90L	a	KD-55X85L / 55X81BL / 55X80L KM-55X85L / 55X80L XR-55X90L XRM-55X90L	b
KD-75X85L / 75X81BL / 75X80L KM-75X85L / 75X80L XR-75X90L XRM-75X90L	b	KD-50X80L KM-50X80L	c
KD-65X85L / 65X85BL / 65X81BL / 65X80L KM-65X85L / 65X80L XR-65X90L XRM-65X90L	b	KD-43X80L KM-43X80L	c

FR

Marquage mural de l'emplacement d'installation du téléviseur ou du moniteur LCD



(mm)

Nom du modèle	A	B	C	D
KD-85X81BL / 85X80L KM-85X80L	1901	472	200	43
XR-85X90L XRM-85X90L	1891	486	200	58
KD-75X85L KM-75X85L	1671	388	150	21
KD-75X81BL / 75X80L KM-75X80L	1675	373	150	12
XR-75X90L XRM-75X90L	1668	388	150	21

Información de instalación para usar el Soporte de pared de Sony (SU-WL450)

Modelos compatibles*:

* En los nombres de modelo reales, "x"/"xx" indica los números y/o los caracteres específicos de cada modelo.

KD-85X8xL / 85X8xBL / 75X8xL / 75X8xBL / 65X8xL / 65X8xBL / 55X8xL / 55X8xBL / 50X8xL / 43X8xL

KM-85X8xL / 75X8xL / 65X8xL / 55X8xL / 50X8xL / 43X8xL

XR-85X9xL / 75X9xL / 65X9xL / 55X9xL

XRM-85X9xL / 75X9xL / 65X9xL / 55X9xL

Información para los clientes

Por motivos de seguridad y protección del producto, Sony recomienda encarecidamente que la instalación del televisor o monitor LCD la realice un distribuidor de Sony o un contratista autorizado. No intente realizar la instalación por su cuenta.

Información para los distribuidores y contratistas de Sony

Preste especial atención a la seguridad durante los procesos de instalación, mantenimiento periódico y revisión de este producto.

La instalación de este producto requiere disponer de suficiente experiencia, especialmente para determinar la solidez de la pared para soportar el peso del televisor o monitor LCD. Asegúrese de confiar la instalación de este producto en la pared únicamente a distribuidores de Sony o contratistas autorizados, y preste especial atención a la seguridad durante el proceso de instalación. Sony queda exento de cualquier responsabilidad por daños o lesiones ocasionados por una manipulación incorrecta o una instalación inadecuada.

Por su seguridad y para una instalación correcta, siga las Instrucciones de manejo del soporte de pared, la Guía de configuración del televisor o monitor LCD y las indicaciones de este manual.

Soporte de pared

Seguridad

Muchas gracias por la adquisición de este producto.

Información para los clientes

Instalación del televisor o monitor LCD en una pared



ADVERTENCIA

INSTALACIÓN PROFESIONAL OBLIGATORIA

La instalación de este producto debe dejarse siempre en manos de un instalador profesional con la formación necesaria para determinar si la pared tiene la resistencia suficiente para soportar el peso del televisor o monitor LCD. En caso de fijación incorrecta durante la instalación, el televisor o monitor LCD puede caerse y provocar lesiones graves. Sony no asumirá responsabilidad alguna por las lesiones o daños causados por una manipulación o instalación incorrectas, o por la instalación de un producto distinto del especificado. Esto no afecta a sus derechos legales (en caso de haberlos).

Información para los distribuidores de Sony

Para la instalación de este producto se requieren conocimientos suficientes. Lea detenidamente este manual de instrucciones para realizar la instalación de manera segura. Sony no se responsabiliza de ningún daño o lesión provocados por una manipulación o instalación incorrectas. Entregue este manual al cliente después de la instalación.

Este manual de instrucciones muestra la manera correcta de manipular el producto, así como precauciones importantes necesarias para evitar accidentes. Es su responsabilidad leer, entender y seguir todas las instrucciones de este manual de instrucciones. Si no las sigue, pueden producirse lesiones físicas graves o daños materiales y también puede quedar sin efecto la garantía. Conserve este manual para poder consultarlo en el futuro.

Los productos de Sony están diseñados pensando en la seguridad. Sin embargo, si los productos se utilizan incorrectamente, pueden producirse lesiones graves a causa de un incendio o una descarga, o al volcarse o caerse el producto. Para evitar tales accidentes, asegúrese de observar las precauciones de seguridad.

PRECAUCIÓN

Productos especificados

El soporte de pared está diseñado para utilizar con los TV o monitores LCD especificados en el producto. Consulte la Guía de referencia del televisor o monitor LCD para comprobar si se puede utilizar el soporte de pared.

Información para los clientes

ADVERTENCIA

Si no se tienen en cuenta las siguientes precauciones, existe el peligro de sufrir lesiones graves o incluso de muerte a raíz de un incendio o una descarga eléctrica, o a causa de que el producto se caiga.

Asegúrese de contratar la instalación a contratistas autorizados y mantenga a los niños alejados durante la instalación.

Si el soporte de pared o el televisor o monitor LCD no están instalados correctamente, pueden ocurrir los accidentes siguientes. Asegúrese de que la instalación la llevan a cabo contratistas autorizados.

- El televisor o monitor LCD podría caerse y provocar lesiones graves como contusiones o fracturas.
- Si la pared en la que se instala el soporte de pared es inestable, desigual o no es perpendicular al suelo, la unidad puede caerse y provocar daños personales o materiales. La pared debe ser capaz de soportar un peso de al menos cuatro veces el peso del televisor o monitor LCD. (Consulte la Guía de referencia del televisor o monitor LCD para conocer el peso del televisor o monitor LCD).
- Si la instalación del soporte de pared en la pared no es lo suficientemente resistente, es posible que la unidad se caiga y provoque daños personales o materiales.

Asegúrese de contratar el traslado o el desmontaje del televisor o monitor LCD a contratistas autorizados.

Si otras personas que no son contratistas autorizados llevan a cabo el transporte o el desmontaje del televisor o monitor LCD, ésta puede caerse y provocar daños personales y materiales. Se necesitan dos o más personas (tres o más personas para un televisor o monitor LCD de 189,3 cm (75 pulgadas) o más grande) para transportar un televisor o monitor LCD grande (excepto Egipto). Se necesitan dos o más personas (tres o más personas para un televisor o monitor LCD de 75 pulgadas (189,3 cm) o más grande) para transportar un televisor o monitor LCD grande (solamente Egipto).

No quite los tornillos, etc., una vez montado el televisor o monitor LCD.

Si lo hace, el televisor o monitor LCD puede caerse y provocar daños personales o materiales.

No modifique las piezas del soporte de pared.

Si lo hace, el soporte de pared puede caerse y provocar daños personales o materiales.

No monte ningún otro equipo que no sea el producto especificado.

Este soporte de pared se ha diseñado para utilizarse solo con el producto especificado. Si monta un equipo distinto del especificado, puede caerse o romperse y provocar daños personales o materiales.

No aplique ningún peso que no sea el propio del televisor o monitor LCD en el soporte de pared. No sacuda el televisor o monitor LCD hacia la izquierda, la derecha, arriba o abajo.

Si lo hace, el televisor o monitor LCD puede caerse y provocar daños personales o materiales.

No se apoye en el televisor o monitor LCD ni se cuelgue de éste.

No se apoye en el televisor o monitor LCD ni se cuelgue de éste, ya que podría caerle encima y provocarle lesiones graves.

PRECAUCIÓN

Si no se tienen en cuenta las precauciones siguientes, podrían producirse daños personales o materiales.

- Guarde los componentes que no utilice en un lugar seguro por si los necesita en el futuro. Manténgalos fuera del alcance de los niños.

No manipule el producto con fuerza excesiva cuando realice su limpieza o mantenimiento.

No aplique fuerza excesiva en la parte superior del televisor o monitor LCD. Si lo hace, el televisor o monitor LCD puede caerse y provocar daños personales o materiales.

ES

Precauciones

- Si utiliza el televisor o monitor LCD instalado en el soporte de pared durante un largo período de tiempo, es posible que la pared que quede detrás o encima del televisor o monitor LCD se descolore o que, si la pared está empapelada, se desprege el papel, dependiendo del material de la pared.
- Si se quita el soporte de pared después de haber estado instalado en la pared, quedarán los orificios de los tornillos.
- No use el soporte de pared en un lugar en el que pueda sufrir vibraciones mecánicas.

Instalación del soporte de pared

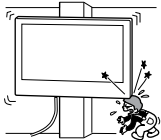
Información para los distribuidores de Sony

ADVERTENCIA

Las instrucciones siguientes están destinadas únicamente a los distribuidores de Sony. Asegúrese de leer las precauciones de seguridad descritas anteriormente y preste especial atención a la seguridad durante la instalación, el mantenimiento y la comprobación de este producto.

No instale el soporte de pared en superficies de paredes en las que puedan sobresalir las esquinas o los lados del televisor o monitor LCD.

No instale el soporte de pared en superficies de paredes, tales como una columna, en las que puedan sobresalir las esquinas o los lados del televisor o monitor LCD. Si una persona o un objeto se golpea con la esquina o el lado saliente del televisor o monitor LCD, pueden producirse daños personales o materiales.

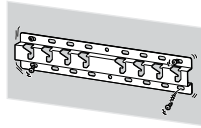


No instale el televisor o monitor LCD encima ni debajo de un aparato de aire acondicionado.

Si el televisor o monitor LCD queda expuesto a goteo de agua o corriente de aire procedentes del aparato de aire acondicionado durante mucho tiempo, podría producirse un incendio, una descarga eléctrica o un fallo de funcionamiento del televisor o monitor LCD.

Asegúrese de instalar el soporte de pared firmemente en la pared siguiendo las instrucciones de este manual de instrucciones.

Si alguno de los tornillos queda suelto o se desprende, el soporte de pared puede caerse y provocar daños personales o materiales. Asegúrese de utilizar los tornillos adecuados para el material de la pared e instale la unidad firmemente, utilizando cuatro o más tornillos de 8 mm de diámetro (o equivalentes).



Asegúrese de utilizar correctamente los tornillos y las piezas de sujeción suministrados siguiendo las instrucciones que se describen en este manual de instrucciones. Si utiliza artículos sustitutivos, el televisor o monitor LCD podría caerse y causar daños en el televisor o monitor LCD o provocar daños personales.

Efectúe correctamente el montaje del soporte siguiendo el procedimiento descrito en este manual de instrucciones.

Si alguno de los tornillos queda suelto o se desprende, el televisor o monitor LCD podría caerse y causar daños en el televisor o monitor LCD o provocar daños personales.

Asegúrese de apretar bien los tornillos en la posición correspondiente.

De lo contrario, el televisor o monitor LCD podría caerse y causar daños en el televisor o monitor LCD o provocar daños personales.

Procure que el televisor o monitor LCD no reciba golpes durante la instalación.

Si el televisor o monitor LCD recibe algún golpe, puede caerse o romperse. Tales percances podrían causar heridas personales.

Asegúrese de instalar el televisor o monitor LCD en una pared que sea perpendicular y plana.

De lo contrario, el televisor o monitor LCD podría caerse y provocar daños personales.

Una vez que haya instalado correctamente el televisor o monitor LCD, fije adecuadamente los cables.

Si alguna persona u objeto se enreda con los cables, correrá el peligro de sufrir heridas personales o de dañarse el televisor o monitor LCD.

Evite que el cable de alimentación de CA o el cable de conexión queden atrapados.

Si el cable de alimentación de CA o el cable de conexión quedan atrapados entre la unidad y la pared o si se doblan o tuercen con fuerza, es posible que los conductores internos queden expuestos y que provoquen un cortocircuito o corte eléctrico. Esto podría originar un incendio o producir descargas eléctricas.



Los tornillos necesarios para fijar el soporte de pared a la pared no están incluidos.

Utilice los tornillos adecuados para el material y la estructura de la pared en la que se proponga montar el soporte de pared.

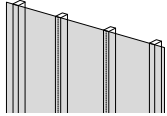
Antes de empezar

- Las ilustraciones del televisor o monitor LCD que se muestran en este manual son ejemplos utilizados para proporcionar explicaciones claras de las operaciones. Por este motivo, las ilustraciones pueden ser diferentes de su televisor o monitor LCD real.

¿De qué material es la pared?

En primer lugar, compruebe el tipo de pared donde se instalará el TV o monitor LCD.

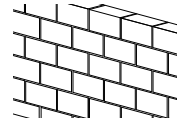
Pared de cartón yeso con puntales



Precauciones

- Grosor máximo de la pared de cartón yeso: 16 mm.
- Asegúrese de que el tamaño del puntal de madera interno sea como mínimo de 51 mm × 102 mm (estándar) o 38 mm × 89 mm (nominal).

Hormigón en masa o bloque de hormigón



Precauciones

- Monte el soporte de pared directamente en la pared de hormigón en masa.
- Asegúrese de que el grosor de la pared de hormigón en masa es como mínimo de 203 mm.
- Compruebe que el tamaño de cada bloque de hormigón sea como mínimo de 203 mm × 203 mm × 406 mm.

ES

Verificación de las piezas

Suministrado con SU-WL450

- Compruebe que se hayan suministrado todas las piezas.

<p>Ⓐ Base (20) (x1)</p>	<p>Ⓑ Polea (x2)</p>	<p>Ⓒ Tornillo (+PSW 6 x 20) (x4)</p>	<p>Ⓔ Separador (20 mm) (x2)</p>
<p>Ⓕ Correa (x1)</p>	<p>Ⓘ Adaptador de la base (x2)</p>	<p>Ⓙ Tornillo (+PSW 4 x 10) (x8)</p>	<p>Ⓚ Separador (60 mm) (x2)</p>
<p>Ⓛ Tornillo (+PSW 6 x 50) (x2)</p>			

- Estas piezas pueden no utilizarse en su modelo.

<p>Ⓓ Tornillo (+PSW 4 x 20) con casquillo (x2)</p>	<p>Ⓖ Casquillo (20) (M4) (x2)</p>	<p>Ⓚ Tornillo (+PSW 4 x 20) (x2)</p>	<p>Ⓜ Casquillo (M4) (x2)</p>
<p>Ⓝ Tornillo (+PSW 4 x 50) (x2)</p>			



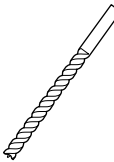
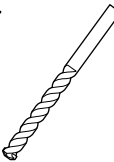
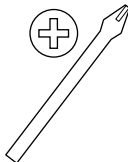
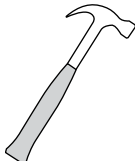
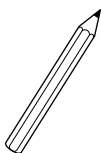
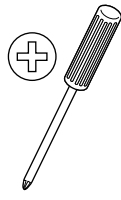
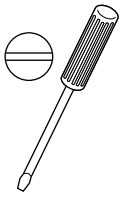
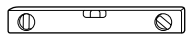




Suministrado con el televisor o monitor LCD

<p>Soporte para montaje en pared VS (x4)*</p>
--

- * Solo para algunas regiones/países/modelos.

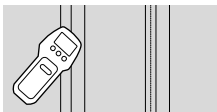
Preparación para la instalación

- Tenga a mano la Guía de referencia y la Guía de configuración del televisor o monitor LCD antes de la instalación.
- Confirme la posición de instalación del televisor o monitor LCD.
- Prepare como mínimo cuatro tornillos de 8 mm de diámetro y uno de 5 mm o equivalente (no suministrado). Elija los tornillos adecuados para el material de la pared.
- Prepare las siguientes herramientas:

*1 		 5,5 mm	 10 mm	
*2 		 1,5 N·m {15 kgf·cm}	*3  1,5 N·m {15 kgf·cm}	
	*2  (x4)	 (x4) 8 mm x 60 mm	 5 mm	
*4 				

ES

*1 Solo para paredes de cartón yeso con puntales



*2 Solo para paredes de hormigón en masa o bloque de hormigón

*3 Dependiendo de los modelos

*4 Solo para televisores o monitores LCD de 189,3 cm (75 pulgadas) o más (excepto Egipto)
Solo para televisores o monitores LCD de 75 pulgadas (189,3 cm) o más (solamente Egipto)

Instalación del soporte de pared en la pared

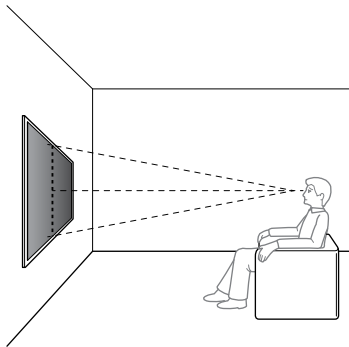
1 Decida la ubicación de instalación.

Asegúrese de que haya suficiente espacio en la pared para el televisor o monitor LCD y de que la pared pueda soportar un peso al menos cuatro veces superior al del televisor o monitor LCD.

Para conocer el peso del televisor o monitor LCD, consulte la Guía de referencia del televisor o monitor LCD.

Nota

- Cuando el televisor o monitor LCD está instalado en la pared, el lado superior del televisor o monitor LCD está ligeramente inclinado hacia delante.
- Le recomendamos que compruebe la posición del televisor o monitor LCD desde el lugar donde mirará la televisión.



2 Seleccione el estilo de montaje en pared como se muestra a continuación.

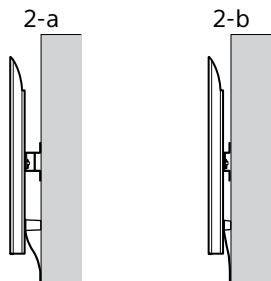
2-a: Montaje estándar

2-b: Montaje estrecho

- Consulte "Medición para la instalación del soporte de pared en la pared" en la página 18.

ADVERTENCIA

- Si se selecciona la opción 2-b, resulta más complicado acceder a los terminales de la parte posterior.



3 Si se selecciona el montaje estándar (2-a):

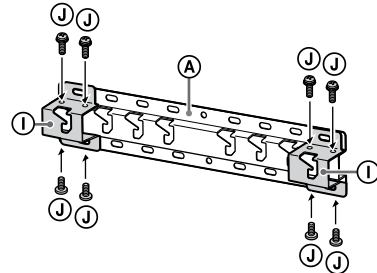
Ajuste el adaptador de la base

① fijando el tornillo

(+PSW 4 × 10) ② a la base (20)

Ⓐ.

- Consulte "Ubicación de instalación del adaptador de la base ①" en la página 19.



Ej., instalación del adaptador de la base ① en la ubicación "a"

Si se selecciona el montaje estrecho (2-b):

Omita este paso.

4 Decida las posiciones de los tornillos para la instalación de la base (20) Ⓐ.

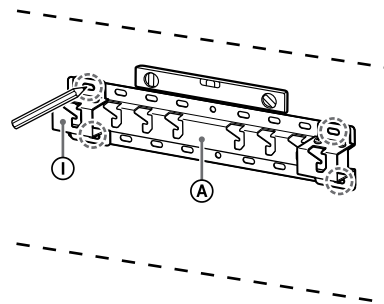
- Consulte "Especificaciones" en la página 17.

ADVERTENCIA

- Determine la resistencia de la pared en la que desea instalar el televisor o monitor LCD. Si es necesario, refuércela.
- La pared en la que se proponga instalar el televisor o monitor LCD deberá ser capaz de soportar un peso al menos **cuatro veces** superior al del televisor o monitor LCD. (Consulte la Guía de referencia del televisor o monitor LCD para conocer el peso del televisor o monitor LCD).

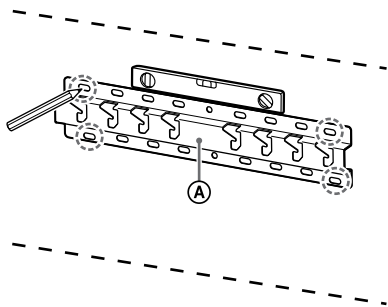
Si se selecciona el montaje estándar (2-a):

Utilice las posiciones de los orificios del adaptador de la base ①.



Ej., marca en la ubicación "a" para ajustar la base (20) Ⓐ

Si se selecciona el montaje estrecho (2-b):

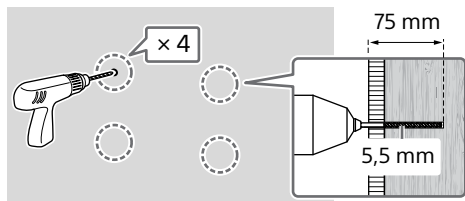


Ej., marca en la ubicación "a" para ajustar la base (20) A

5 Taladre los orificios en las marcas.

Asegúrese de que la parte de la pared donde se van a taladrar los orificios sea lo suficientemente resistente para soportar un peso de al menos cuatro veces superior al del televisor o monitor LCD.

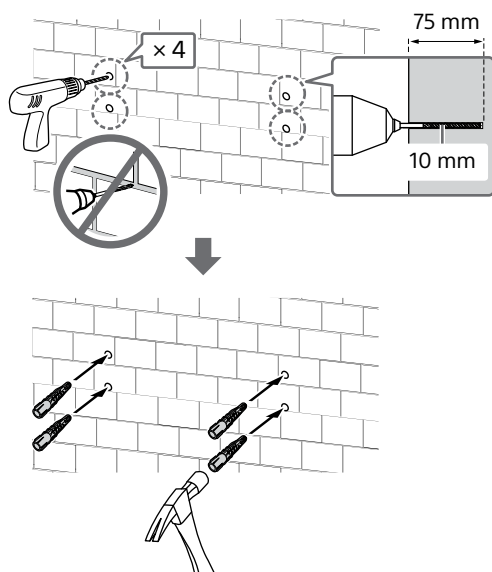
Perforación en paredes de cartón yeso con puntales:



Nota

- Los agujeros guía deben tener una profundidad de 75 mm y deben taladrarse usando una broca de 5,5 mm de diámetro.

Perforación en paredes de hormigón en masa o bloque de hormigón:

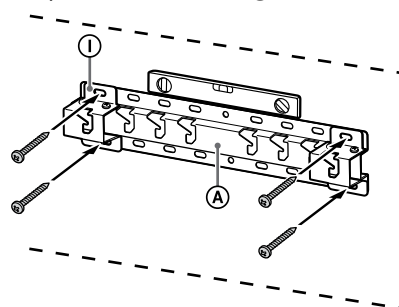


6 Instale la base (20) A en la pared utilizando tornillos adecuados (no suministrados).

Nota

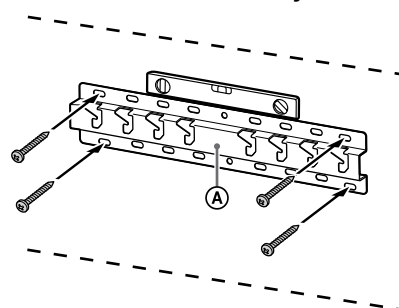
- Utilice cuatro o más tornillos de 8 mm de diámetro o equivalentes (no suministrados).
- Utilice un nivel para comprobar si la base (20) A queda recta.

Si se selecciona el montaje estándar (2-a):
Fije cuatro tornillos a los orificios del adaptador de la base ① con la base (20) A.



Ej., instalación de la base (20) A en la ubicación "a"

Si se selecciona el montaje estrecho (2-b):



Ej., instalación de la base (20) A en la ubicación "a"

7 Solo KD-85X8xL / 85X8xBL / 75X8xL / 75X8xBL, KM-85X8xL / 75X8xL, XR-85X9xL / 75X9xL, XRM-85X9xL / 75X9xL

Marque la ubicación de la instalación en la pared.

Use cinta adhesiva, etc. (no suministrada) para marcar la ubicación del televisor o monitor LCD cerca de la base (20) A o del adaptador de la base ①.

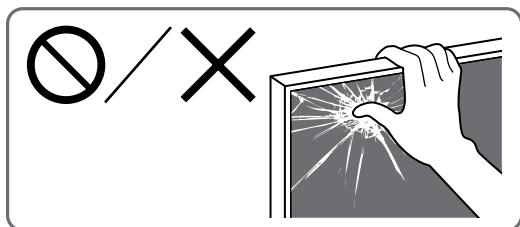
- Consulte "Marca de pared para la ubicación de instalación del televisor o monitor LCD" en la página 20.

Excepto el modelo KD-85X8xL / 85X8xBL / 75X8xL / 75X8xBL, KM-85X8xL / 75X8xL, XR-85X9xL / 75X9xL, XRM-85X9xL / 75X9xL
Omita este paso.

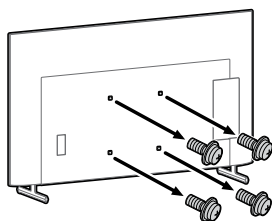
Preparación para instalar el televisor o monitor LCD

Nota

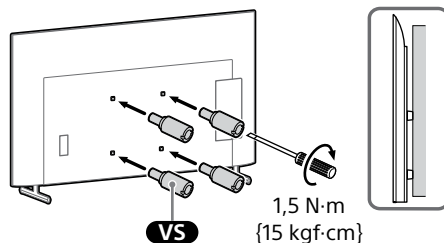
- Asegúrese de guardar los tornillos retirados y las piezas no utilizadas en un lugar seguro, lejos del alcance de los niños.



- 1 Coloque el soporte de sobremesa para que el televisor o el monitor LCD estén en pie.
 - Consulte la Guía de configuración de su televisor o monitor LCD.
- 2 Quite los tornillos de la parte trasera del televisor o monitor LCD.



- 3 Una el soporte para montaje en pared **VS** (suministrado con el televisor o monitor LCD) a la parte trasera del televisor o monitor LCD (para que esté en paralelo a la pared).



Nota

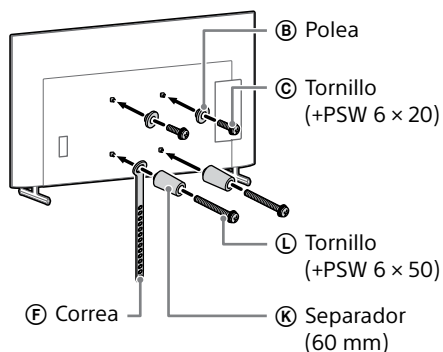
- Asegúrese de apretar el soporte para montaje en pared **VS** al instalarlo en el televisor o monitor LCD. Utilice solo un destornillador de cabeza plana para instalar el soporte para montaje en pared **VS**. Utilizar otra herramienta podría dar como resultado un exceso de torsión del soporte para montaje en pared **VS** y dañar el televisor o el monitor LCD.

- 4 Coloque las piezas de fijación del soporte de pared. Compruebe las piezas de fijación consultando "Suministrado con SU-WL450" en "Verificación de las piezas" en la página 6.

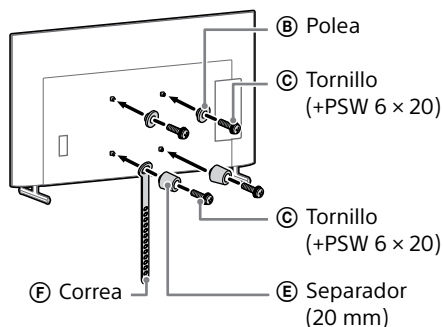
Nota

- Fije las piezas de fijación mediante tornillos.
- Cuando use un destornillador eléctrico, establezca el par de torsión aproximadamente en 1,5 N·m {15 kgf·cm}.

Si se selecciona el montaje estándar (2-a):



Si se selecciona el montaje estrecho (2-b):



5 Conecte los cables necesarios al TV o monitor LCD.

Asegúrese de conectar los cables antes de instalar el televisor o monitor LCD en la pared. No podrá conectarlos cuando el televisor o monitor LCD se encuentre instalado.

Nota

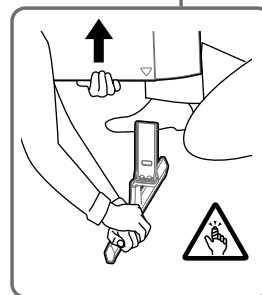
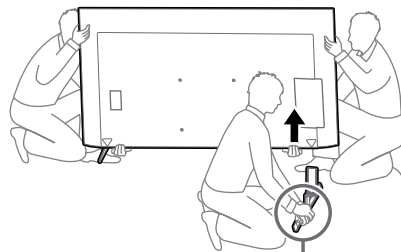
- Asegúrese de contratar la instalación de los cables en la pared a un contratista autorizado.
- Ate los cables de conexión para no pisarlos antes del montaje en la pared.

6 Desinstale el soporte de sobremesa del televisor o monitor LCD.

La siguiente ilustración es un ejemplo de la operación.

Excepto el modelo KD-75X85L / 65X85L / 65X85BL / 55X85L, KM-75X85L / 65X85L / 55X85L, XR-85X90L / 75X90L / 65X90L / 55X90L, XRM-85X90L / 75X90L / 65X90L / 55X90L

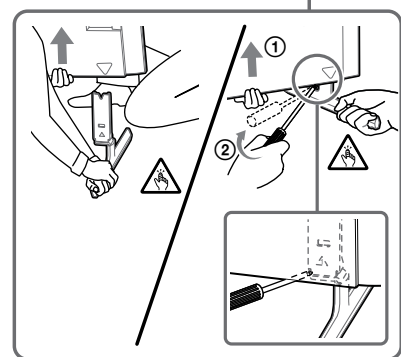
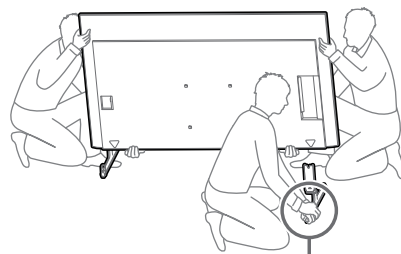
- Retire de a una las esquinas del soporte de sobremesa. Sujete con firmeza el soporte de sobremesa con ambas manos de forma segura mientras otras personas levantan el televisor o monitor LCD.



- Repita el paso anterior y retire la otra esquina del soporte de sobremesa.

Solo KD-75X85L / 65X85L / 65X85BL / 55X85L, KM-75X85L / 65X85L / 55X85L

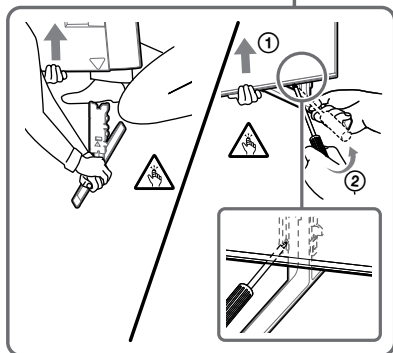
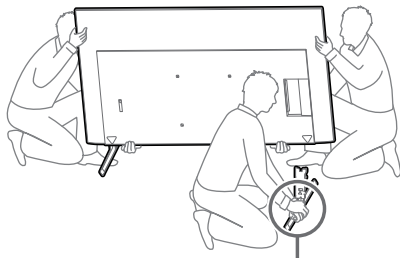
- Retire de a una las esquinas del soporte de sobremesa. Sujete con firmeza el soporte de sobremesa con ambas manos de forma segura mientras otras personas levantan el televisor o monitor LCD.



- Repita el paso anterior y retire la otra esquina del soporte de sobremesa.

Solo XR-85X90L / 75X90L / 65X90L / 55X90L, XRM-85X90L / 75X90L / 65X90L / 55X90L

- Retire de a una las esquinas del soporte de sobremesa. Sujete con firmeza el soporte de sobremesa con ambas manos de forma segura mientras otras personas levantan el televisor o monitor LCD.



- Repita el paso anterior y retire la otra esquina del soporte de sobremesa.

Nota

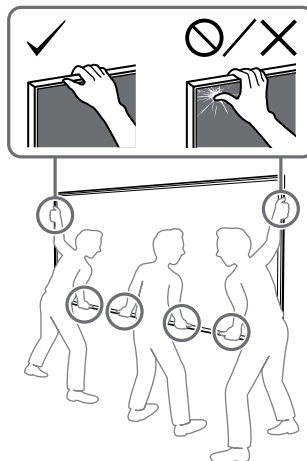
- Se necesitan tres o más personas para desmontar el soporte de sobremesa.
- Tenga cuidado de no aplicar fuerza excesiva mientras desmonta el soporte de sobremesa del televisor o monitor LCD, ya que el televisor o monitor LCD podría caerse y provocar daños personales o dañar el televisor o monitor LCD.
- Manipule el soporte de sobremesa con cuidado para no dañar el televisor o monitor LCD.
- Tenga cuidado al levantar el televisor o monitor LCD ya que si se desprende el soporte de sobremesa, este podría desequilibrarse y provocar lesiones personales.
- Tenga cuidado al retirar el soporte de sobremesa del televisor o monitor LCD para evitar que se caiga y dañe la superficie sobre la que está el televisor o monitor LCD.

Instalación del televisor o monitor LCD en la pared

Solo KD-85X8xL / 85X8xBL / 75X8xL / 75X8xBL, KM-85X8xL / 75X8xL, XR-85X9xL / 75X9xL, XRM-85X9xL / 75X9xL

ADVERTENCIA

- Se necesitan dos o más personas (tres o más personas para un televisor o monitor LCD de 189,3 cm (75 pulgadas) o más grande) para transportar un televisor o monitor LCD grande (excepto Egipto). Se necesitan dos o más personas (tres o más personas para un televisor o monitor LCD de 75 pulgadas (189,3 cm) o más grande) para transportar un televisor o monitor LCD grande (solamente Egipto).



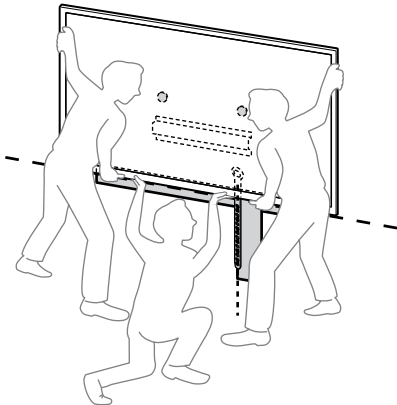
1 Levante el televisor o monitor LCD.

- Para la ubicación de las poleas (B) a colgar en la base (20) (A) o el adaptador de la base (1), consulte "Ubicación de instalación del adaptador de la base (1)" en la página 19.
- Cuando sujete el televisor o monitor LCD, asegúrese de que la parte posterior del televisor o monitor LCD toque la base (20) (A) o el adaptador de la base (1).

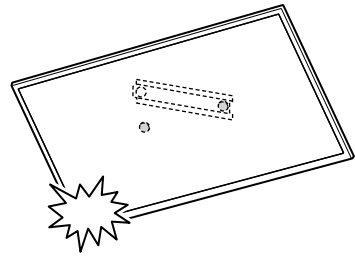
Nota

- Sujete el televisor o monitor LCD con ambas manos de forma segura y asegúrese de que la correa (E) y la parte inferior de televisor o monitor LCD estén alineadas con la cinta adhesiva.

- Transporte el televisor o monitor LCD con tres personas. La persona que está delante del televisor o monitor LCD guiará a los demás para ajustar la posición.

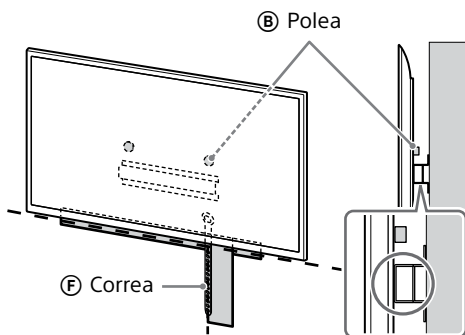


- Suelte ambas manos lentamente para asegurarse de que el televisor o monitor LCD no se caiga.



- Después de instalar el televisor o monitor LCD en la pared, retire la cinta adhesiva, etc., de la pared.

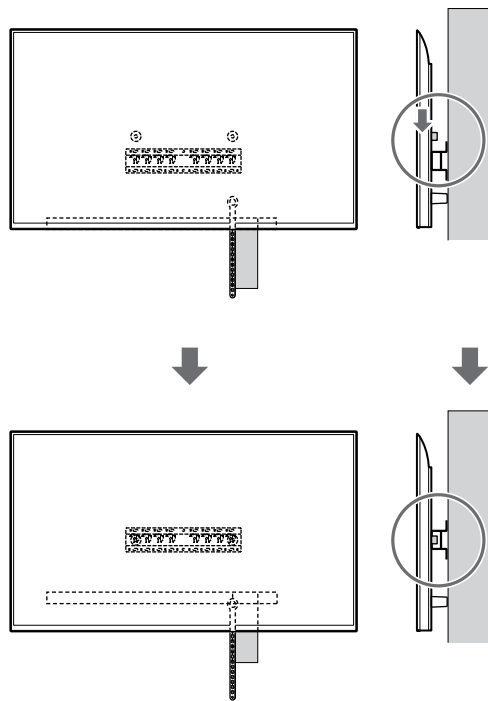
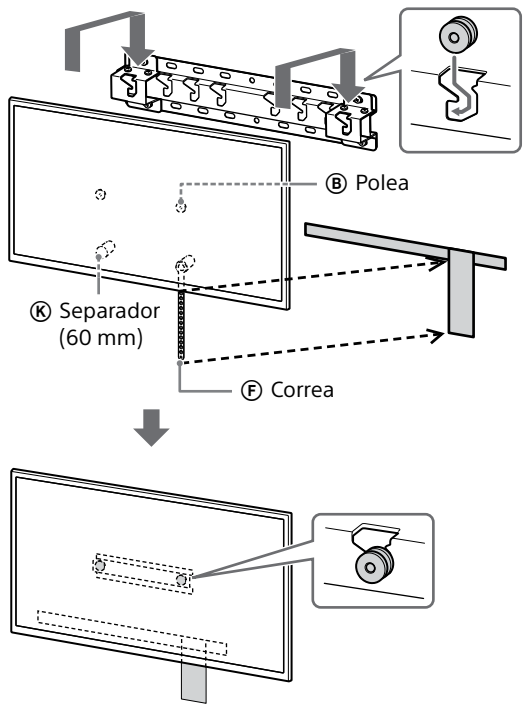
- Tenga mucho cuidado al instalar el televisor o monitor LCD en la pared, especialmente la persona que sostiene el televisor o monitor LCD desde abajo, ya que el televisor o monitor LCD puede caerse y provocar daños personales graves o incluso la muerte.



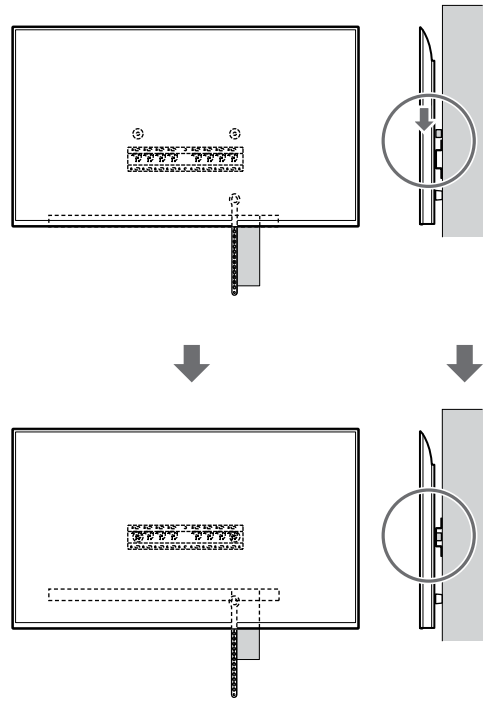
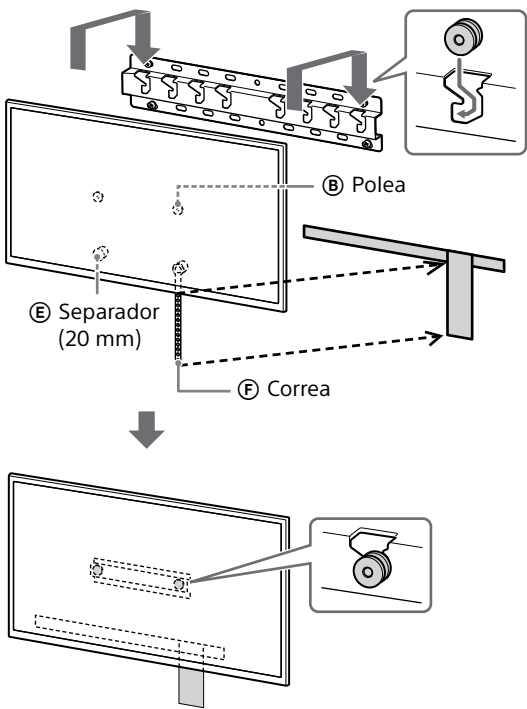
2 Instale el televisor o monitor LCD en la base (20) (A) o el adaptador de la base (I).

- Deslice suavemente el televisor o monitor LCD y cuelgue las poleas (B) colocadas en la parte posterior del televisor o monitor LCD en la base (20) (A) o el adaptador de la base (I), asegurándose de confirmar la forma de los orificios.
- Después de instalar el televisor o monitor LCD en la pared, verifique que las poleas (B) estén aseguradas firmemente en la base (20) (A) o el adaptador de la base (I).

Si se selecciona el montaje estándar (2-a):

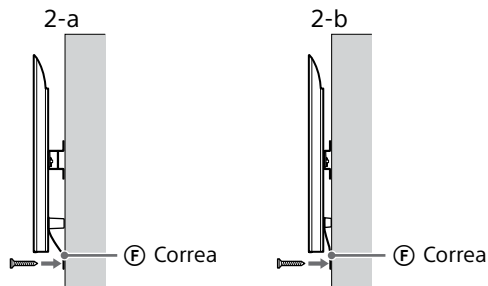


Si se selecciona el montaje estrecho (2-b):



3 Cómo evitar que la parte inferior del TV o monitor LCD se mueva.

- Recoja la correa (F) y ajústela firmemente a la pared.



- Use un tornillo de 5 mm de diámetro o equivalente (no suministrado).

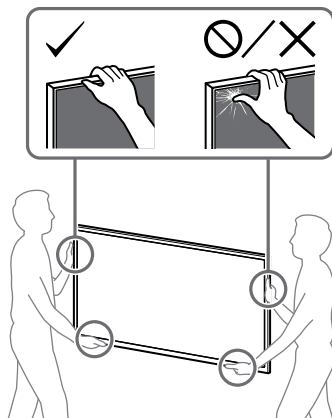
Nota

- Intente tirar la parte de abajo del TV o monitor LCD levemente hacia adelante para asegurarse de que no se mueva solo en esa dirección. Si se mueve, significa que no se colocó correctamente, por lo que debe ajustar con firmeza la correa (F) nuevamente.

Excepto el modelo KD-85X8xL / 85X8xBL / 75X8xL / 75X8xBL, KM-85X8xL / 75X8xL, XR-85X9xL / 75X9xL, XRM-85X9xL / 75X9xL

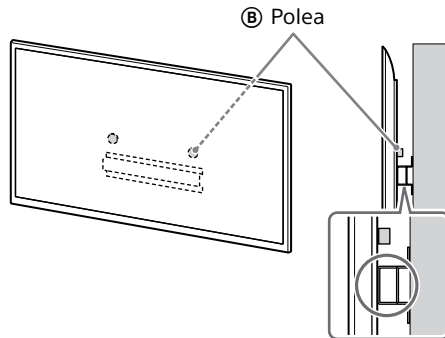
ADVERTENCIA

- Se necesitan dos o más personas (tres o más personas para un televisor o monitor LCD de 189,3 cm (75 pulgadas) o más grande) para transportar un televisor o monitor LCD grande (excepto Egipto). Se necesitan dos o más personas (tres o más personas para un televisor o monitor LCD de 75 pulgadas (189,3 cm) o más grande) para transportar un televisor o monitor LCD grande (solamente Egipto).



1 Levante el televisor o monitor LCD.

- Para la ubicación de las poleas (B) a colgar en la base (20) (A) o el adaptador de la base (1), consulte "Ubicación de instalación del adaptador de la base (1)" en la página 19.
- Cuando sujete el televisor o monitor LCD, asegúrese de que la parte posterior del televisor o monitor LCD toque la base (20) (A) o el adaptador de la base (1).

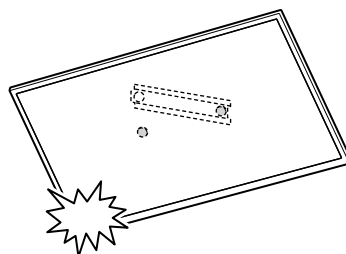


Nota

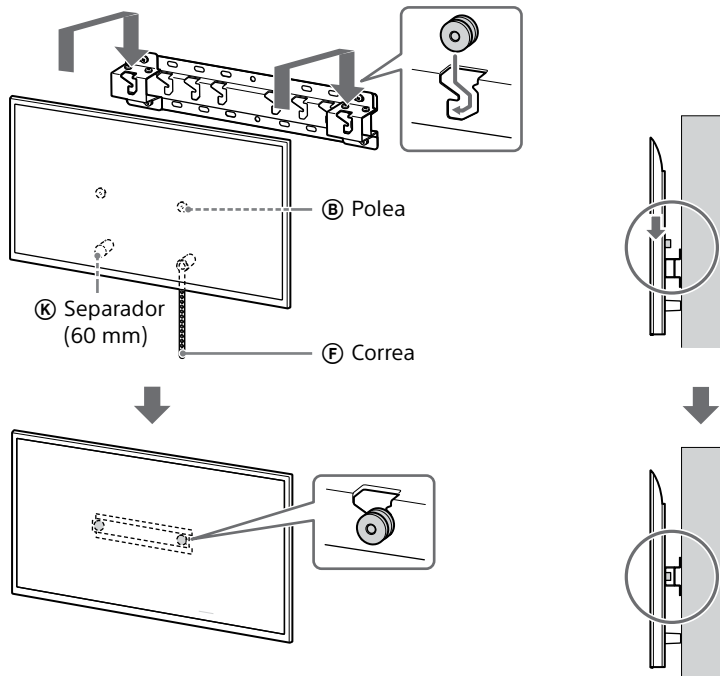
- Sujete el televisor o monitor LCD con ambas manos de forma segura.

2 Instale el televisor o monitor LCD en la base (20) (A) o el adaptador de la base (1).

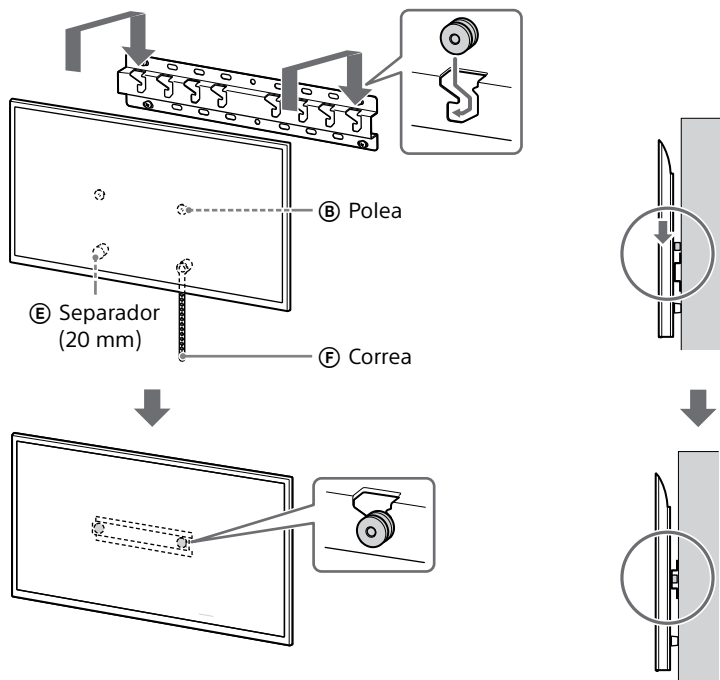
- Deslice suavemente el televisor o monitor LCD y cuelgue las poleas (B) colocadas en la parte posterior del televisor o monitor LCD en la base (20) (A) o el adaptador de la base (1), asegurándose de confirmar la forma de los orificios.
- Después de instalar el televisor o monitor LCD en la pared, verifique que las poleas (B) estén aseguradas firmemente en la base (20) (A) o el adaptador de la base (1).
- Suelte ambas manos lentamente para asegurarse de que el televisor o monitor LCD no se caiga.



Si se selecciona el montaje estándar (2-a):

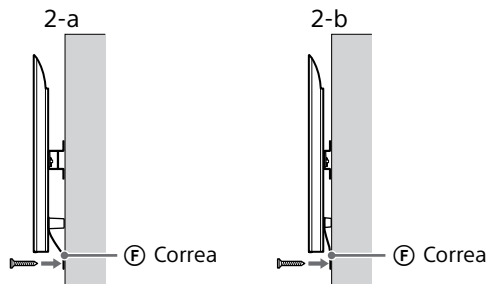


Si se selecciona el montaje estrecho (2-b):



3 Cómo evitar que la parte inferior del TV o monitor LCD se mueva.

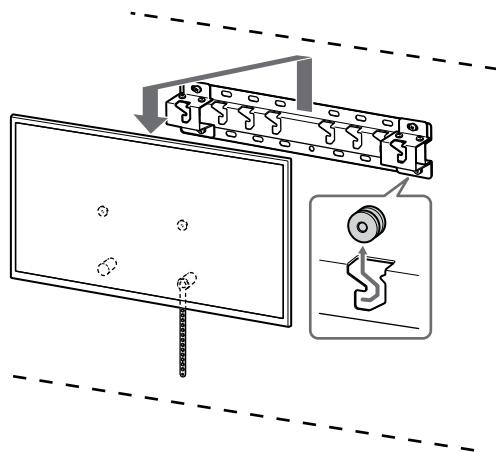
- Recoja la correa (F) y ajústela firmemente a la pared.



- Use un tornillo de 5 mm de diámetro o equivalente (no suministrado).

Nota

- Intente tirar la parte de abajo del TV o monitor LCD levemente hacia adelante para asegurarse de que no se mueva solo en esa dirección. Si se mueve, significa que no se colocó correctamente, por lo que debe ajustar con firmeza la correa (F) nuevamente.



ADVERTENCIA

- Se necesitan dos o más personas (tres o más personas para un televisor o monitor LCD de 189,3 cm (75 pulgadas) o más grande) para transportar un televisor o monitor LCD grande (excepto Egipto). Se necesitan dos o más personas (tres o más personas para un televisor o monitor LCD de 75 pulgadas (189,3 cm) o más grande) para transportar un televisor o monitor LCD grande (solamente Egipto).

Confirmación del final de la instalación

Verifique los siguientes puntos.

- Las poleas (B) están firmemente ajustadas a la base (20) (A) o el adaptador de la base (1).
- Que los cables no estén retorcidos ni atrapados.
- La correa (F) está colocada firmemente y sin holgura.

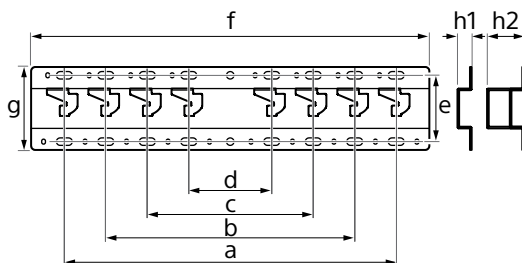
ADVERTENCIA

- La colocación inadecuada del cable de alimentación de CA, etc., puede ser causa de un incendio o de descargas eléctricas debido a un cortocircuito. Por razones de seguridad, no olvide confirmar que haya finalizado la instalación.

Información adicional

Para retirar el televisor o monitor LCD, lleve a cabo el procedimiento de instalación a la inversa.

Especificaciones



Dimensiones: (aprox.) [mm]

- a : 400
- b : 300
- c : 200
- d : 100
- e : 80
- f : 480
- g : 100

- h1 : 20 (para montaje estrecho, 2-b)
- h2 : 60 (para montaje estándar, 2-a)

Peso (solo base): (aprox.) [kg]

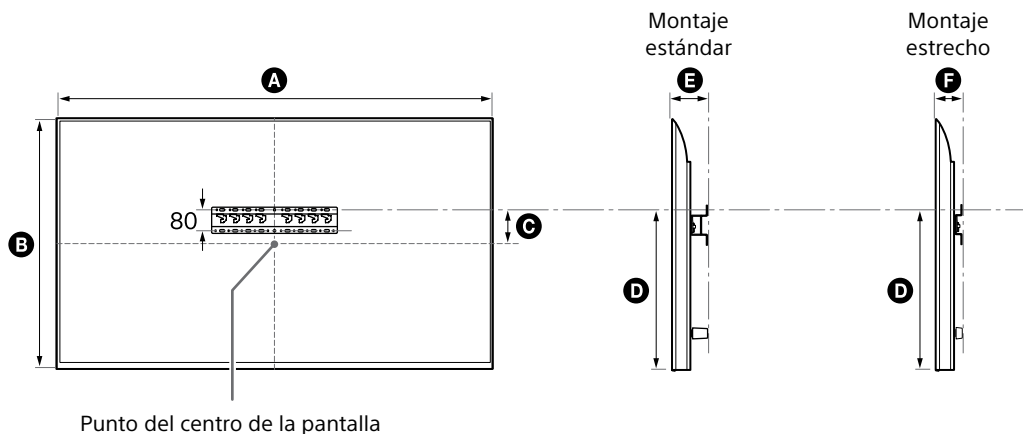
0,8

El diseño y las especificaciones están sujetos a cambios sin previo aviso.

Referencias

Medición para la instalación del soporte de pared en la pared

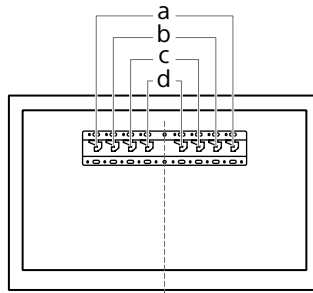
Las cifras de la tabla pueden ser distintas según la instalación.



(mm)

Nombre del modelo	A	B	C	D	E	F
KD-85X81BL / 85X80L KM-85X80L	1901	1090	43	592	138	96
XR-85X90L XRM-85X90L	1891	1085	58	607	125	83
KD-75X85L KM-75X85L	1671	960	21	508	123	81
KD-75X81BL / 75X80L KM-75X80L	1675	962	12	493	137	95
XR-75X90L XRM-75X90L	1668	959	21	508	123	81
KD-65X85L / 65X85BL KM-65X85L	1447	832	85	505	123	81
KD-65X81BL / 65X80L KM-65X80L	1452	836	76	494	135	93
XR-65X90L XRM-65X90L	1445	831	85	505	123	81
KD-55X85L KM-55X85L	1228	709	146	505	122	81
KD-55X81BL / 55X80L KM-55X80L	1233	713	133	494	135	93
XR-55X90L XRM-55X90L	1225	707	146	505	122	81
KD-50X80L KM-50X80L	1119	649	63	392	133	91
KD-43X80L KM-43X80L	964	563	111	392	133	91

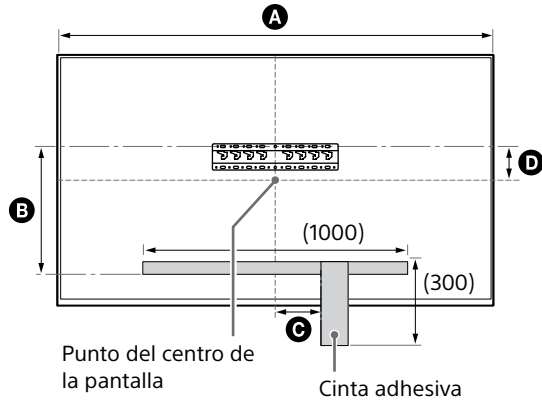
Ubicación de instalación del adaptador de la base ①



Nombre del modelo	Posición de los ganchos	Nombre del modelo	Posición de los ganchos
KD-85X81BL / 85X80L KM-85X80L XR-85X90L XRM-85X90L	a	KD-55X85L / 55X81BL / 55X80L KM-55X85L / 55X80L XR-55X90L XRM-55X90L	b
KD-75X85L / 75X81BL / 75X80L KM-75X85L / 75X80L XR-75X90L XRM-75X90L	b	KD-50X80L KM-50X80L	c
KD-65X85L / 65X85BL / 65X81BL / 65X80L KM-65X85L / 65X80L XR-65X90L XRM-65X90L	b	KD-43X80L KM-43X80L	c

ES

Marca de pared para la ubicación de instalación del televisor o monitor LCD



(mm)

Nombre del modelo	A	B	C	D
KD-85X81BL / 85X80L KM-85X80L	1901	472	200	43
XR-85X90L XRM-85X90L	1891	486	200	58
KD-75X85L KM-75X85L	1671	388	150	21
KD-75X81BL / 75X80L KM-75X80L	1675	373	150	12
XR-75X90L XRM-75X90L	1668	388	150	21

Installationsinformationen zum Verwenden der Wandhalterung (SU-WL450) von Sony

Unterstützte Modelle*:

* „x“/„xx“ steht für Zahlen und/oder Zeichen, die im eigentlichen Modellnamen für das jeweilige Modell eindeutig sind.

KD-85X8xL / 85X8xBL / 75X8xL / 75X8xBL / 65X8xL / 65X8xBL / 55X8xL / 55X8xBL / 50X8xL / 43X8xL

KM-85X8xL / 75X8xL / 65X8xL / 55X8xL / 50X8xL / 43X8xL

XR-85X9xL / 75X9xL / 65X9xL / 55X9xL

XR-85X9xL / 75X9xL / 65X9xL / 55X9xL

Für den Kunden

Zum Schutz des Produkts und aus Sicherheitsgründen empfiehlt Sony dringend, die Installation des Fernsehgeräts oder LCD-Monitors von einem Sony-Händler oder lizenzierten Fachleuten ausführen zu lassen. Versuchen Sie nicht, das Gerät selbst zu installieren.

Für Sony-Händler und Montagefachleute

Achten Sie bei der Installation, der regelmäßigen Wartung und der Überprüfung des Produkts in erster Linie auf Sicherheit.

Zur Installation dieses Produkts sind Fachkenntnisse erforderlich, insbesondere um die Tragfähigkeit der Wand für das Gewicht des Fernsehgeräts oder LCD-Monitors sicherzustellen. Überlassen Sie die Montage dieses Produkts an der Wand unbedingt Sony-Händlern oder lizenzierten Fachleuten und ergreifen Sie bei der Montage geeignete Sicherheitsmaßnahmen. Sony übernimmt keine Haftung für Verletzungen bzw. Sachschäden, die durch unsachgemäßen Umgang mit dem Produkt oder eine fehlerhafte Montage entstehen.

Befolgen Sie aus Gründen der Sicherheit und der ordnungsgemäßen Installation die Bedienungsanleitung für die Wandhalterung, das Einrichtungshandbuch für das Fernsehgerät oder den LCD-Monitor und die Anweisungen in diesem Handbuch.

Wandhalterung

Hinweise zur Sicherheit

Vielen Dank, dass Sie sich für dieses Produkt entschieden haben.

Für den Kunden

Montieren des Fernsehgeräts oder LCD-Monitors an der Wand



WARNUNG

INSTALLATION DURCH EINEN FACHMANN ERFORDERLICH

Dieses Produkt sollte nur von einem professionellen Monteur installiert werden, der darin geschult ist, die Stärke der Wand zu bestimmen, die das Gewicht des Fernsehgeräts oder LCD-Monitors tragen muss. Wenn das Gerät während der Installation nicht ordnungsgemäß gesichert wird, kann das Fernsehgerät oder der LCD-Monitor herunterfallen und schwerwiegende Verletzungen verursachen. Sony ist nicht haftbar für Schäden oder Verletzungen, die durch einen fehlerhaften Umgang oder die unsachgemäße Installation bzw. die Installation eines anderen als des angegebenen Produkts verursacht wurden. Ihre gesetzlichen Rechte (wenn zutreffend) sind davon nicht betroffen.

An die Sony-Händler

Zur Montage dieses Produkts sind ausreichende Fachkenntnisse erforderlich. Lesen Sie sich diese Anleitung unbedingt sorgfältig durch, um die Montagearbeiten sicher durchzuführen. Sony übernimmt keine Haftung für Schäden oder Verletzungen durch die fehlerhafte Handhabung oder eine unsachgemäße Montage. Händigen Sie diese Anleitung nach der Montage dem Kunden aus.

Diese Anleitung zeigt die richtige Handhabung des Produkts und wichtige Vorsichtshinweise, die notwendig sind, um Unfälle zu vermeiden. Es liegt in Ihrer Verantwortung, alle Anweisungen in dieser Anleitung zu lesen, sie genau zu verstehen und zu befolgen. Andernfalls kann es zu schwerwiegenden Personen- oder Sachschäden bzw. zu einem Erlöschen der Garantie kommen. Bewahren Sie diese Anleitung zum künftigen Nachschlagen auf.

Produkte von Sony wurden im Hinblick auf die Sicherheit entwickelt. Wenn die Produkte aber falsch verwendet werden, kann dies zu schwerwiegenden Verletzungen durch Feuer, Stromschlag, das Kippen des Produkts oder das Herunterfallen des Produkts führen. Beachten Sie unbedingt die Vorsichtshinweise, um solche Unfälle zu vermeiden.

VORSICHT

Angegebene Produkte

Diese Wandhalterung wurde zur Verwendung mit den angegebenen Fernsehgeräten oder LCD-Monitoren entwickelt. Schlagen Sie bei Fernsehgeräten oder LCD-Monitoren in der zugehörigen Referenzanleitung nach, um sich zu vergewissern, dass die Wandhalterung verwendet werden kann.

Für den Kunden

WARNUNG

Wenn die folgenden Vorsichtshinweise nicht beachtet werden, kann es zu schwerwiegenden Verletzungen oder Tod durch Feuer, Stromschlag oder das Herunterfallen des Produkts kommen.

Überlassen Sie die Montage einem lizenzierten Fachmann und halten Sie kleine Kinder während der Montage fern.

Wenn die Wandhalterung oder das Fernsehgerät oder der LCD-Monitor nicht korrekt montiert werden, kann es zu den folgenden Unfällen kommen. Achten Sie darauf, dass die Montage durch einen lizenzierten Fachmann ausgeführt wird.

- Das Fernsehgerät oder der LCD-Monitor kann herunterfallen und schwerwiegenden Verletzungen wie Prellungen oder Brüche verursachen.
- Wenn die Wand, an der die Wandhalterung montiert werden soll, instabil, uneben oder nicht senkrecht zum Boden ist, kann das Gerät herunterfallen und Verletzungen oder Sachschäden verursachen. Die Wand sollte mindestens das vierfache Gewicht des Fernsehgeräts oder LCD-Monitors tragen können. (Informationen zum Gewicht des Fernsehgeräts oder LCD-Monitors finden Sie in der Referenzanleitung des Geräts.)
- Wenn die Montage der Wandhalterung an der Wand nicht ausreichend stabil ist, kann das Gerät herunterfallen und Verletzungen oder Sachschäden verursachen.

Überlassen Sie die Umpositionierung bzw. den Abbau des Fernsehgeräts oder LCD-Monitors einem lizenzierten Fachmann.

Wenn andere Personen als ein lizenziertes Fachmann den Transport oder Abbau des Fernsehgeräts oder LCD-Monitors übernehmen, kann es herunterfallen und Verletzungen oder Sachschäden verursachen. Zum Transport eines großen Fernsehgeräts oder LCD-Monitors sind zwei oder mehr Personen (drei oder mehr Personen für Fernsehgeräte oder LCD-Monitore von mehr als 189,3 cm (75 Zoll) oder mehr) nötig (außer Ägypten). Zum Transport eines großen Fernsehgeräts oder LCD-Monitors sind zwei oder mehr Personen (drei oder mehr Personen für Fernsehgeräte oder LCD-Monitore von mehr als 75 Zoll (189,3 cm) oder mehr) nötig (nur Ägypten).

Entfernen Sie keine Schrauben usw., nachdem Sie das Fernsehgerät oder den LCD-Monitor montiert haben.

Andernfalls kann das Fernsehgerät oder der LCD-Monitor herunterfallen und Verletzungen oder Sachschäden verursachen.

Nehmen Sie keine Veränderungen an Teilen der Wandhalterung vor.

Andernfalls kann die Wandhalterung herunterfallen und Verletzungen oder Sachschäden verursachen.

Montieren Sie keine Geräte außer dem angegebenen Produkt.

Diese Wandhalterung wurde nur zur Verwendung mit dem angegebenen Produkt entwickelt. Wenn Sie andere als das angegebene Gerät montieren, kann sie herunterfallen oder brechen und Verletzungen oder Sachschäden verursachen.

DE

Belasten Sie die Wandhalterung nur mit dem Gewicht des Fernsehgeräts oder LCD-Monitors.

Setzen Sie das Fernsehgerät oder den LCD-Monitor keinen Erschütterungen nach links/rechts oder oben/unten aus.

Andernfalls kann das Fernsehgerät oder der LCD-Monitor herunterfallen und Verletzungen oder Sachschäden verursachen.

Lehnen und hängen Sie sich nicht an das Fernsehgerät oder den LCD-Monitor.

Lehnen und hängen Sie sich nicht an das Fernsehgerät oder den LCD-Monitor, da es bzw. er auf Sie fallen und schwerwiegende Verletzungen verursachen könnte.

VORSICHT

Wenn die folgenden Vorsichtshinweise nicht beachtet werden, kann es zu Verletzungen oder Sachschäden kommen.

- Lagern Sie die nicht verwendeten Teile unbedingt zur künftigen Verwendung an einem sicheren Ort.
Halten Sie sie von Kindern fern.

Üben Sie während der Reinigung oder Wartung keine übermäßige Gewalt auf das Produkt aus.

Üben Sie keine übermäßige Gewalt auf die Oberseite des Fernsehgeräts oder LCD-Monitors aus. Andernfalls kann das Fernsehgerät oder der LCD-Monitor herunterfallen und Verletzungen oder Sachschäden verursachen.

Vorsichtshinweise

- Wenn Sie das Fernsehgerät oder den LCD-Monitor längere Zeit verwenden, wenn es an der Wandhalterung angebracht ist, kann sich, abhängig vom Material der Wand, die Wand hinter oder über dem Fernsehgerät oder LCD-Monitor verfärben oder die Tapete kann sich lösen.
- Wenn die Wandhalterung nach der Montage an der Wand entfernt wird, verbleiben die Schraubenbohrungen.
- Verwenden Sie die Wandhalterung nicht an Orten, an denen sie mechanischen Vibrationen ausgesetzt ist.

Montieren der Wandhalterung

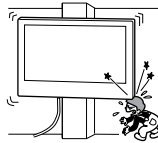
An die Sony-Händler

WARNUNG

Die folgenden Anweisungen gelten nur für Sony-Händler. Lesen Sie sich unbedingt die oben aufgeführten Sicherheitshinweise durch und achten Sie während der Montage, Wartung und Überprüfung des Produkts insbesondere auf die Sicherheit.

Installieren Sie die Wandhalterung nicht auf einer Wandfläche, bei der die Ecken der Kanten des Fernsehgeräts oder LCD-Monitors über die Wandfläche hinausragen.

Installieren Sie die Wandhalterung nicht auf einer Wandfläche, wie einer Säule, bei der die Ecken der Kanten des Fernsehgeräts oder LCD-Monitors über die Wandfläche hinausragen. Wenn eine Person oder ein Objekt gegen die vorstehende Ecke oder Seite des Fernsehgeräts oder LCD-Monitors stößt, kann es zu Verletzungen oder Sachschäden kommen.

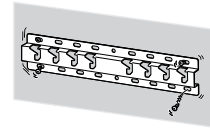


Montieren Sie das Fernsehgerät oder den LCD-Monitor nicht über oder unter einem Klimagerät.

Wenn das Fernsehgerät oder der LCD-Monitor längere Zeit austretendem Wasser oder dem Luftstrom einer Klimaanlage ausgesetzt ist, kann es zu einem Brand, Stromschlag oder einer Fehlfunktion des Fernsehgeräts oder LCD-Monitors kommen.

Achten Sie darauf, die Wandhalterung entsprechend den Anweisungen in dieser Anleitung sicher an der Wand zu montieren.

Wenn Schrauben locker sind oder herausfallen, kann die Wandhalterung herunterfallen und Verletzungen oder Sachschäden verursachen. Verwenden Sie unbedingt geeignete Schrauben für das Material der Wand und montieren Sie das Gerät sicher mit vier oder mehr Schrauben mit einem Durchmesser von 8 mm (oder entsprechendem Material).



Verwenden Sie unbedingt die mitgelieferten Schrauben und Befestigungsteile entsprechend den Anweisungen in dieser Anleitung. Wenn Sie andere Teile verwenden, kann das Fernsehgerät oder der LCD-Monitor herunterfallen und Personenschäden oder Schäden am Fernsehgerät oder LCD-Monitor verursachen.

Bauen Sie die Halterung ordnungsgemäß entsprechend den in dieser Anleitung beschriebenen Schritten zusammen.

Wenn die Schrauben lose sind oder herausfallen, kann das Fernsehgerät oder der LCD-Monitor herunterfallen und Personenschäden oder Schäden am Fernsehgerät oder LCD-Monitor verursachen.

Ziehen Sie die Schrauben unbedingt an den dafür vorgesehenen Positionen fest.

Andernfalls kann das Fernsehgerät oder der LCD-Monitor herunterfallen und Personenschäden oder Schäden am Fernsehgerät oder LCD-Monitor verursachen.

Achten Sie darauf, das Fernsehgerät oder den LCD-Monitor während der Montage keinen Erschütterungen auszusetzen.

Wenn das Fernsehgerät oder der LCD-Monitor Erschütterungen ausgesetzt wird, kann es herunterfallen oder brechen. Dies kann zu Verletzungen führen.

Achten Sie darauf, das Fernsehgerät oder den LCD-Monitor an einer Wand zu montieren, die senkrecht und eben ist.

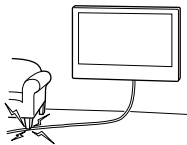
Andernfalls kann das Fernsehgerät oder der LCD-Monitor herunterfallen und Verletzungen verursachen.

Sichern Sie die Kabel nach der ordnungsgemäßen Montage des Fernsehgeräts oder LCD-Monitors ordnungsgemäß.

Wenn sich Personen oder Gegenstände in den Kabeln verfangen, kann diese zu Verletzungen oder Schäden am Fernsehgerät oder LCD-Monitor führen.

Verhindern Sie, dass das Netz- oder die Verbindungskabel eingeklemmt werden.

Wenn das Netz- oder die Verbindungskabel zwischen dem Gerät und der Wand eingeklemmt werden oder gewaltsam verbogen oder verdreht werden, können die internen Adern freigelegt werden und es kann zu einem Kurzschluss oder Stromschlag kommen. Dies kann zu einem Brand oder Stromschlag führen.



Die Schrauben zur Sicherung der Wandhalterung an der Wand sind nicht mitgeliefert.

Verwenden Sie passende Schrauben für das Material und die Struktur der Wand, wenn Sie die Wandhalterung montieren.

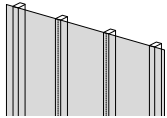
Bevor Sie beginnen

- Die in diesem Handbuch gezeigten Abbildungen von Fernsehgeräten oder LCD-Monitoren sind Beispiele, die zur anschaulichen Erläuterung der Bedienung dienen. Aus diesem Grund können die Abbildungen von Ihrem tatsächlichen Fernsehgerät oder LCD-Monitor abweichen.

Woraus besteht Ihre Wand?

Überprüfen Sie zuerst die Art der Wand, an der das Fernsehgerät oder der LCD-Monitor installiert werden soll.

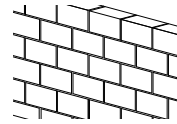
Trockenbauwand mit Ständern



Vorsichtshinweise

- Maximale Stärke der Trockenbauwand: 16 mm.
- Stellen Sie sicher, dass die Größe der inneren Holzständer mindestens 51 mm × 102 mm als allgemeine oder 38 mm × 89 mm als Nenngröße beträgt.

Massivbeton oder Betonblockstein



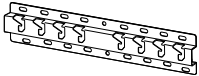








Vorsichtshinweise

- Befestigen Sie die Wandhalterung direkt an der Massivbetonwand.
- Stellen Sie sicher, dass die Stärke der Massivbetonwand mindestens 203 mm beträgt.
- Stellen Sie sicher, dass die Größe jedes Betonblocksteins mindestens 203 mm × 203 mm × 406 mm beträgt.




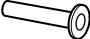

Überprüfen der Teile

Mit der SU-WL450 geliefert


- Stellen Sie sicher, dass alle Teile vorhanden sind.

<p>Ⓐ Grundplatte (20) (×1)</p> 	<p>Ⓑ Rolle (×2)</p> 	<p>Ⓒ Schraube (+PSW 6 × 20) (×4)</p> 	<p>Ⓔ Abstandshalter (20 mm) (×2)</p> 
<p>Ⓕ Gurt (×1)</p> 	<p>Ⓘ Grundplattenadapter (×2)</p> 	<p>Ⓙ Schraube (+PSW 4 × 10) (×8)</p> 	<p>Ⓚ Abstandshalter (60 mm) (×2)</p> 
<p>Ⓛ Schraube (+PSW 6 × 50) (×2)</p> 			

- Diese Teile dürfen nicht für Ihr Modell verwendet werden.

<p>Ⓓ Schraube (+PSW 4 × 20) mit Hülse (×2)</p> 	<p>Ⓞ Hülse (20) (M4) (×2)</p> 	<p>ⓓ Schraube (+PSW 4 × 20) (×2)</p> 	<p>Ⓜ Hülse (M4) (×2)</p> 
<p>Ⓝ Schraube (+PSW 4 × 50) (×2)</p> 			

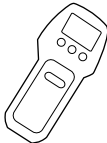

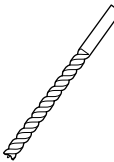
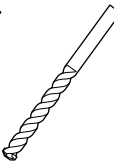
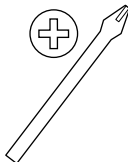
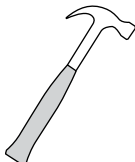
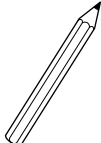
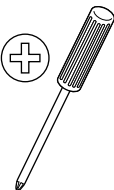
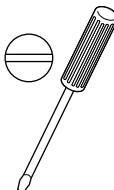





Mit dem Fernsehgerät oder LCD-Monitor geliefert

<p>Wandmontagebefestigung VS (×4)*</p> 
--

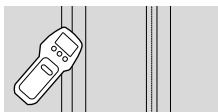
- * Nur für bestimmte Regionen/Länder/Modelle.

Vorbereitung der Montage

- Halten Sie für die Installation die Referenzanleitung und das Einrichtungshandbuch des Fernsehgeräts oder LCD-Monitors bereit.
- Überprüfen Sie die Montageposition des Fernsehgeräts oder LCD-Monitors.
- Legen Sie mindestens vier Schrauben mit einem Durchmesser von 8 mm und ein Schraube mit einem Durchmesser von 5 mm bzw. entsprechende Schrauben bereit (nicht mitgeliefert). Wählen Sie Schrauben, die für das Material der Wand geeignet sind.
- Legen Sie die folgenden Werkzeuge bereit:

*1 		 5,5 mm	 10 mm	
*2 		 1,5 N·m {15 kgf·cm}	*3  1,5 N·m {15 kgf·cm}	
	*2  (x4)	 (x4) 8 mm × 60 mm	 5 mm	
*4 				

*1 Nur für Trockenbauwände mit Ständern



*2 Nur für Massivbeton oder Betonblocksteine

*3 Je nach Modell

*4 Nur für Fernsehgeräte oder LCD-Monitore mit einer Größe von 189,3 cm (75 Zoll) oder mehr (außer Ägypten)
Nur für Fernsehgeräte oder LCD-Monitore mit einer Größe von 75 Zoll (189,3 cm) oder mehr (nur Ägypten)

Installation der Wandhalterung an der Wand

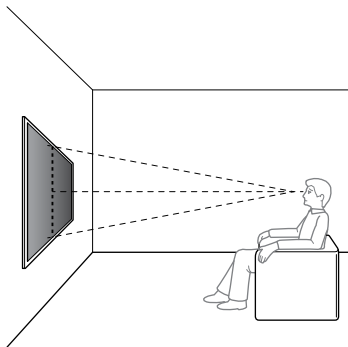
1 Legen Sie die Montageposition fest.

Stellen Sie sicher, dass an der Wand genug Platz für das Fernsehgerät oder den LCD-Monitor ist und dass die Wand eine Tragfähigkeit von mindestens dem Vierfachen des Gewichts des Fernsehgeräts oder LCD-Monitors aufweist.

In der Referenzanleitung zum Fernsehgerät oder LCD-Monitor finden Sie Informationen zum Gewicht des Fernsehgeräts oder LCD-Monitors.

Hinweis

- Wenn das Fernsehgerät oder der LCD-Monitor an der Wand montiert ist, ist die Oberkante des Fernsehgeräts oder LCD-Monitors leicht nach vorne geneigt.
- Wir empfehlen Ihnen, die Position des Fernsehgeräts oder LCD-Monitors in der entsprechenden Sitzposition zu prüfen.



2 Wählen Sie die Art der Wandanbringung wie unten dargestellt.

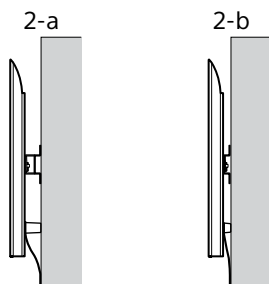
2-a: Standardanbringung

2-b: Schmale Anbringung

- Siehe „Maß für die Anbringung der Wandhalterung an der Wand“ auf Seite 20.

WARNUNG

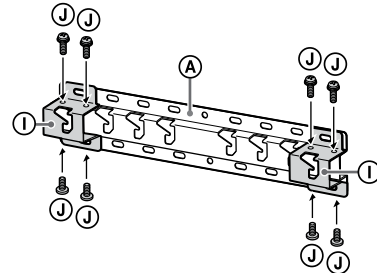
- Wenn 2-b ausgewählt wird, ist der Zugriff auf die Anschlüsse an der Rückseite eingeschränkt.



3 Wenn Standardanbringung (2-a) ausgewählt ist:

Bringen Sie den Grundplattenadapter ① unter Verwendung der Schraube (+PSW 4 × 10) ② an der Grundplatte (20) ③ an.

- Siehe „Anbringungsort für Grundplattenadapter ①“ auf Seite 21.



Z.B. Anbringen des Grundplattenadapters ① an Position „a“

Wenn schmale Anbringung (2-b) gewählt ist:

Überspringen Sie diesen Schritt.

4 Legen Sie die Schraubenpositionen für die Montage der Grundplatte (20) ③ fest.

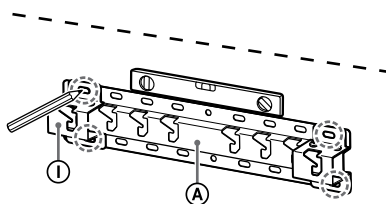
- Siehe „Technische Daten“ auf Seite 19.

WARNUNG

- Bestimmen Sie die Stärke der Wand, an der das Fernsehgerät oder der LCD-Monitor montiert werden soll. Verstärken Sie die Wand bei Bedarf ausreichend.
- Die Wand, an der das Fernsehgerät oder der LCD-Monitor montiert wird, sollte mindestens das **vierfache** Gewicht des Fernsehgeräts oder LCD-Monitors tragen können. (Informationen zum Gewicht des Fernsehgeräts oder LCD-Monitors finden Sie in der Referenzanleitung des Geräts.)

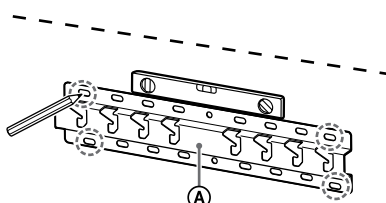
Wenn Standardanbringung (2-a) ausgewählt ist:

Verwenden Sie die Lochpositionen des Grundplattenadapters ①.



Z.B. Markierung an Position „a“ für die Anbringung der Grundplatte (20) ②

Wenn schmale Anbringung (2-b) gewählt ist:

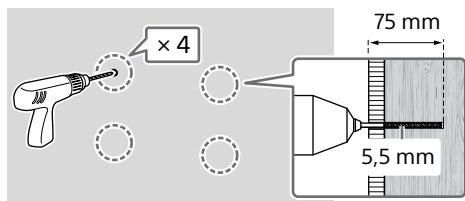


Z.B. Markierung an Position „a“ für die Anbringung der Grundplatte (20) ②

5 Bohren Sie Vorbohrungen an den markierten Stellen.

Stellen Sie sicher, dass die Position an der Wand, an der die Löcher gebohrt werden sollen, stark genug ist, um ein Gewicht von mindestens dem Vierfachen des Fernsehgeräts oder LCD-Monitors zu tragen.

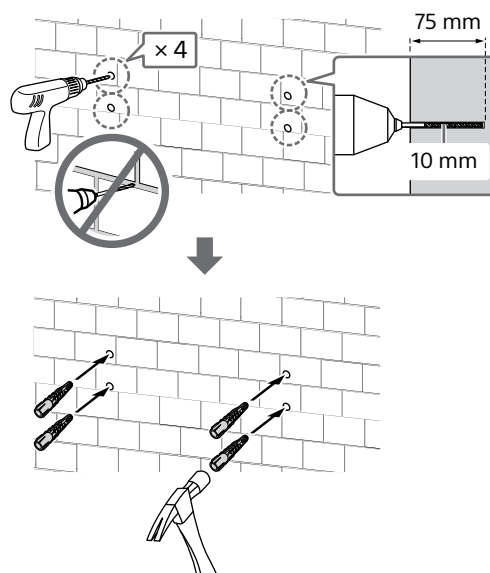
Bohren in Trockenbauwänden mit Ständern:



Hinweis

- Die Vorbohrungen müssen auf eine Tiefe von 75 mm mit einem Bohreinsatz mit einem Durchmesser von 5,5 mm gebohrt werden.

Bohren in Massivbeton oder Betonblocksteinen:



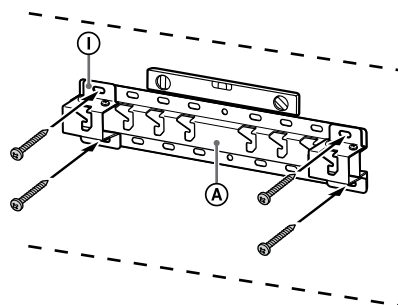
6 Bringen Sie die Grundplatte (20) ② mit geeigneten Schrauben (nicht mitgeliefert) an der Wand an.

Hinweis

- Verwenden Sie mindestens vier Schrauben mit einem Durchmesser von 8 mm bzw. entsprechende Schrauben (nicht mitgeliefert).
- Verwenden Sie eine Wasserwaage, um zu prüfen, ob die Grundplatte (20) ② waagrecht ist.

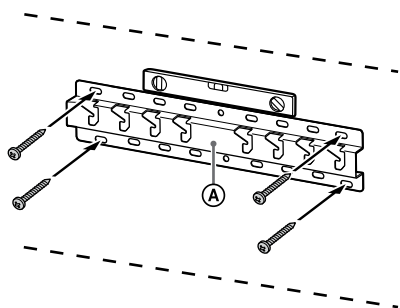
Wenn Standardanbringung (2-a) ausgewählt ist:

Setzen Sie vier Schrauben in die Bohrungen des Grundplattenadapters ① und der Grundplatte (20) ② ein.



Z.B. Anbringen der Grundplatte (20) ② an Position „a“

Wenn schmale Anbringung (2-b) gewählt ist:



Z.B. Anbringen der Grundplatte (20) **A** an Position „a“

7 Nur KD-85X8xL / 85X8xBL / 75X8xL / 75X8xBL, KM-85X8xL / 75X8xL, XR-85X9xL / 75X9xL, XRM-85X9xL / 75X9xL

Markieren Sie den Einbauort an der Wand.

Verwenden Sie Abdeckband usw. (nicht mitgeliefert), um die Position des Fernsehgeräts oder LCD-Monitors in der Nähe der Grundplatte (20) **A** oder des Grundplattenadapters **1** zu markieren.

- Siehe „Wandmarkierung für den Einbauort des Fernsehgeräts oder LCD-Monitors“ auf Seite 22.

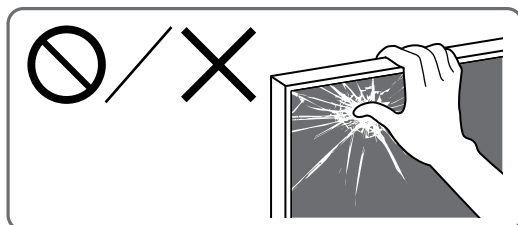
Außer Modell KD-85X8xL / 85X8xBL / 75X8xL / 75X8xBL, KM-85X8xL / 75X8xL, XR-85X9xL / 75X9xL, XRM-85X9xL / 75X9xL

Überspringen Sie diesen Schritt.

Vorbereitung der Montage des Fernsehgeräts oder LCD-Monitors

Hinweis

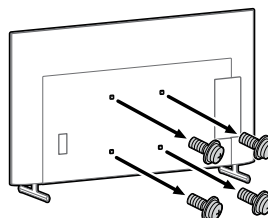
- Bewahren Sie die abgenommenen Schrauben und nicht verwendeten Teile unbedingt an einem sicheren, für Kinder nicht zugänglichen Ort auf.



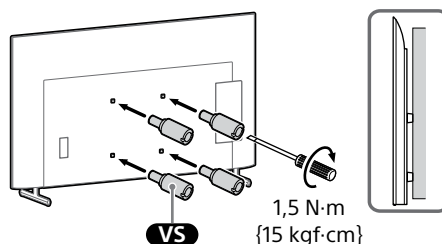
- 1 Bringen Sie den Tischständer an, um das Fernsehgerät oder den LCD-Monitor stehend zu platzieren.

- Weitere Informationen finden Sie im Einrichtungshandbuch des Fernsehgeräts oder LCD-Monitors.

- 2 Entfernen Sie die Schrauben an der Rückseite des Fernsehgeräts oder LCD-Monitors.



- 3 Befestigen Sie die Wandmontagebefestigung **VS** (mit dem Fernsehgerät oder LCD-Monitor mitgeliefert) an der Rückseite des Fernsehgeräts oder LCD-Monitors (parallel zur Wand).



Hinweis

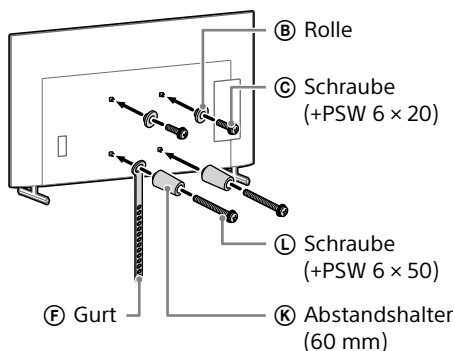
- Achten Sie darauf, die Wandmontagebefestigung **VS** festzuschrauben, wenn Sie sie am Fernseher oder LCD-Monitor installieren. Verwenden Sie nur einen Schlitzschraubendreher, um die Wandmontagebefestigung **VS** zu installieren. Die Verwendung eines anderen Werkzeugs könnte zu einer Überdrehung der Wandmontagebefestigung **VS** und zur Beschädigung des Fernsehgeräts oder LCD-Monitors führen.

4 Bringen Sie die Montageteile für die Wandhalterung an. Prüfen der Anbringungsteile unter Bezug auf „Mit der SU-WL450 geliefert“ in „Überprüfen der Teile“ auf Seite 7.

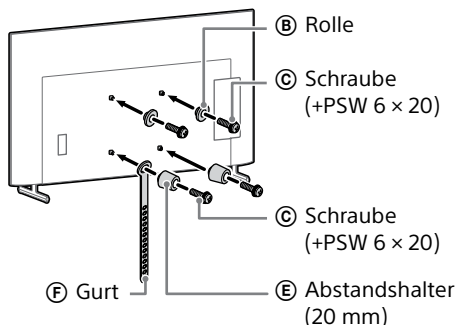
Hinweis

- Befestigen Sie die Montageteile sicher mit Schrauben.
- Wenn Sie einen elektrischen Schraubenzieher verwenden, stellen Sie ein Drehmoment von etwa 1,5 N·m {15 kgf·cm} ein.

Wenn Standardanbringung (2-a) ausgewählt ist:



Wenn schmale Anbringung (2-b) gewählt ist:



5 Schließen Sie die notwendigen Kabel an das Fernsehgerät oder den LCD-Monitor an.

Stellen Sie sicher, dass die Kabel angeschlossen sind, bevor Sie das Fernsehgerät oder den LCD-Monitor an der Wand montieren. Sie können die Kabel nicht anschließen, wenn das Fernsehgerät oder der LCD-Monitor montiert wurde.

Hinweis

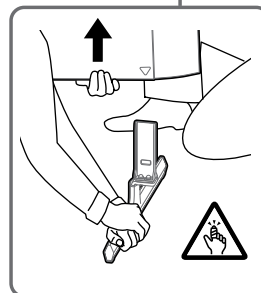
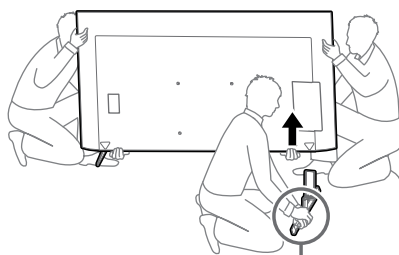
- Lassen Sie das Verlegen der Kabel in der Wand von einem lizenzierten Fachmann ausführen.
- Bündeln Sie die Verbindungskabel vor der Wandbefestigung, damit nicht darauf getreten werden kann.

6 Nehmen Sie den Tischständer vom Fernsehgerät oder LCD-Monitor ab.

Die folgende Abbildung ist ein Beispiel für den Vorgang.

Außer Modell KD-75X85L / 65X85L / 65X85BL / 55X85L, KM-75X85L / 65X85L / 55X85L, XR-85X90L / 75X90L / 65X90L / 55X90L, XRM-85X90L / 75X90L / 65X90L / 55X90L

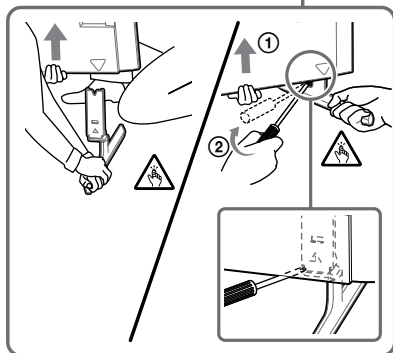
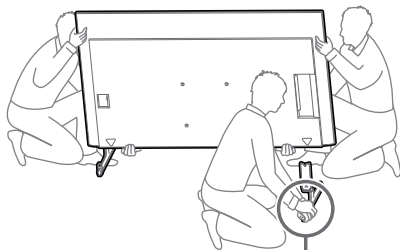
- Entfernen Sie immer nur eine Seite des Tischständers auf einmal. Halten Sie den Tischständer mit beiden Händen fest, während die anderen Personen das Fernsehgerät oder den LCD-Monitor anheben.



- Wiederholen Sie den vorherigen Schritt und entfernen Sie die andere Seite des Tischständers.

Nur KD-75X85L / 65X85L / 65X85BL / 55X85L, KM-75X85L / 65X85L / 55X85L

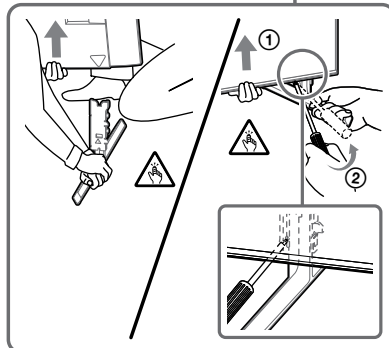
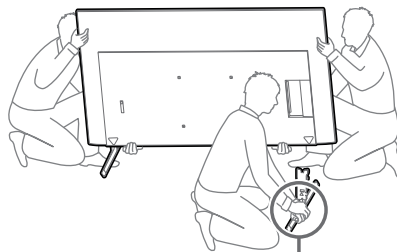
- Entfernen Sie immer nur eine Seite des Tischständers auf einmal. Halten Sie den Tischständer mit beiden Händen fest, während die anderen Personen das Fernsehgerät oder den LCD-Monitor anheben.



- Wiederholen Sie den vorherigen Schritt und entfernen Sie die andere Seite des Tischständers.

Nur XR-85X90L / 75X90L / 65X90L / 55X90L, XRM-85X90L / 75X90L / 65X90L / 55X90L

- Entfernen Sie immer nur eine Seite des Tischständers auf einmal. Halten Sie den Tischständer mit beiden Händen fest, während die anderen Personen das Fernsehgerät oder den LCD-Monitor anheben.



- Wiederholen Sie den vorherigen Schritt und entfernen Sie die andere Seite des Tischständers.

Hinweis

- Zum Lösen des Tischständers sind drei oder mehr Personen erforderlich.
- Wenden Sie beim Lösen des Tischständers vom Fernsehgerät oder der LCD-Monitor keine großen Kräfte an, anderenfalls kann das Fernsehgerät oder der LCD-Monitor herunterfallen und Verletzungen oder Schäden am Fernsehgerät oder LCD-Monitor verursachen.
- Gehen Sie bei der Handhabung des Tischständers vorsichtig vor, um das Fernsehgerät oder den LCD-Monitor nicht zu beschädigen.
- Seien Sie vorsichtig, wenn Sie das Fernsehgerät oder den LCD-Monitor anheben, da der Tischständer beim Abnehmen umkippen und Verletzungen verursachen kann.
- Achten Sie immer darauf, wenn Sie den Tischständer vom Fernsehgerät oder LCD-Monitor abnehmen, damit er nicht umkippt und die Oberfläche, auf der das Fernsehgerät oder der LCD-Monitor steht, beschädigt wird.

DE

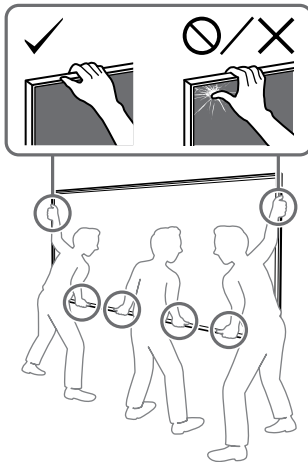
Montieren des Fernsehgeräts oder LCD-Monitors an der Wand

Nur KD-85X8xL / 85X8xBL / 75X8xL / 75X8xBL, KM-85X8xL / 75X8xL, XR-85X9xL / 75X9xL, XRM-85X9xL / 75X9xL

WARNUNG

- Zum Transport eines großen Fernsehgeräts oder LCD-Monitors sind zwei oder mehr Personen (drei oder mehr Personen für Fernsehgeräte oder LCD-Monitore von mehr als 189,3 cm (75 Zoll) oder mehr) nötig (außer Ägypten).

Zum Transport eines großen Fernsehgeräts oder LCD-Monitors sind zwei oder mehr Personen (drei oder mehr Personen für Fernsehgeräte oder LCD-Monitore von mehr als 75 Zoll (189,3 cm) oder mehr) nötig (nur Ägypten).



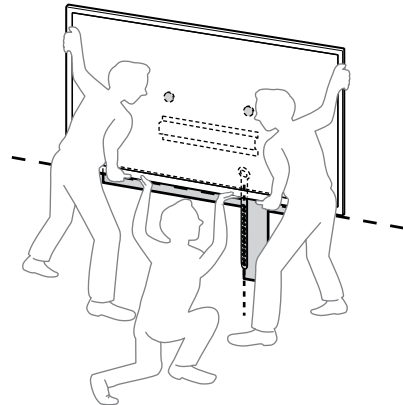
1 Heben Sie das Fernsehgerät oder den LCD-Monitor an.

- Die Position der Rollen **Ⓑ** zum Aufhängen an der Grundplatte (20) **Ⓐ** oder dem Grundplattenadapter **Ⓛ** finden Sie unter „Anbringungsort für Grundplattenadapter **Ⓛ**“ auf Seite 21.
- Achten Sie darauf, dass die Rückseite des Fernsehgeräts oder LCD-Monitors beim Halten des Fernsehgeräts oder LCD-Monitors die Grundplatte (20) **Ⓐ** oder den Grundplattenadapter **Ⓛ** berührt.

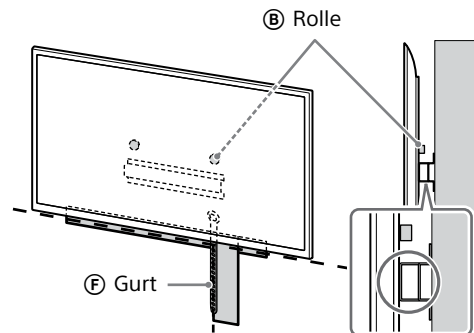
Hinweis

- Halten Sie das Fernsehgerät oder den LCD-Monitor mit beiden Händen fest und vergewissern Sie sich, dass der Gurt **Ⓕ** und die Unterseite des Fernsehgeräts oder LCD-Monitors mit dem Abdeckband übereinstimmen.

- Tragen Sie das Fernsehgerät oder den LCD-Monitor mit drei Personen, und die Person, die sich vor dem Fernsehgerät oder LCD-Monitor befindet, weist die anderen an, die Position einzustellen.



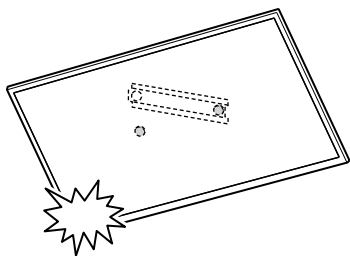
- Seien Sie bei der Montage des Fernsehgeräts oder LCD-Monitors an der Wand sehr vorsichtig. Dies gilt insbesondere für die Person, die das Fernsehgerät oder den LCD-Monitor von unten trägt, denn das Fernsehgerät oder der LCD-Monitor kann herunterfallen und schwere Körperverletzungen oder sogar den Tod verursachen.



2 Montieren Sie das Fernsehgerät oder den LCD-Monitor auf der Grundplatte (20) **Ⓐ** oder dem Grundplattenadapter **Ⓛ**.

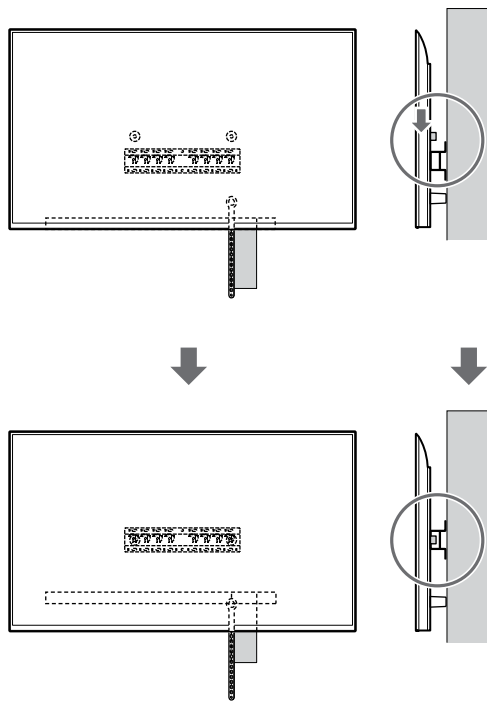
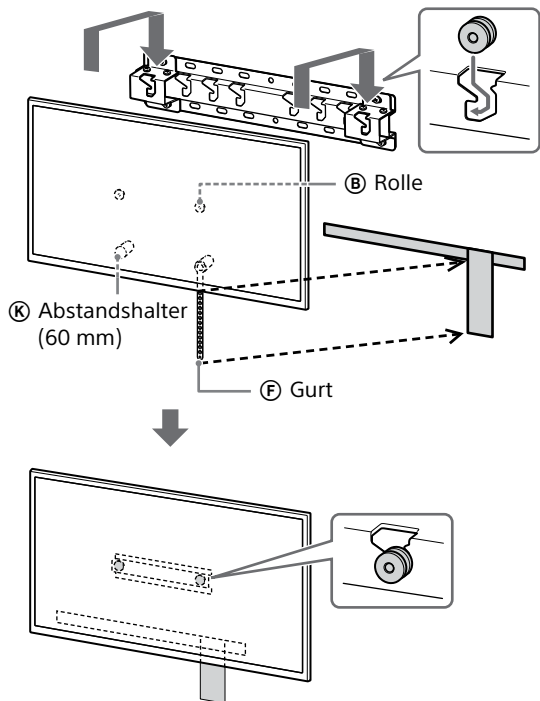
- Schieben Sie das Fernsehgerät oder den LCD-Monitor vorsichtig nach unten und hängen Sie die Rollen **Ⓑ**, die an der Rückseite des Fernsehgeräts oder LCD-Monitors angebracht sind, an die Grundplatte (20) **Ⓐ** oder den Grundplattenadapter **Ⓛ**, wobei Sie auf die Form der Löcher achten müssen.
- Überprüfen Sie nach der Montage des Fernsehgeräts oder LCD-Monitors an der Wand, ob die Rollen **Ⓑ** fest in die Grundplatte (20) **Ⓐ** oder den Grundplattenadapter **Ⓛ** eingerastet sind.

- Lassen Sie beide Hände langsam los, um sicherzustellen, dass das Fernsehgerät oder der LCD-Monitor nicht herunterfällt.

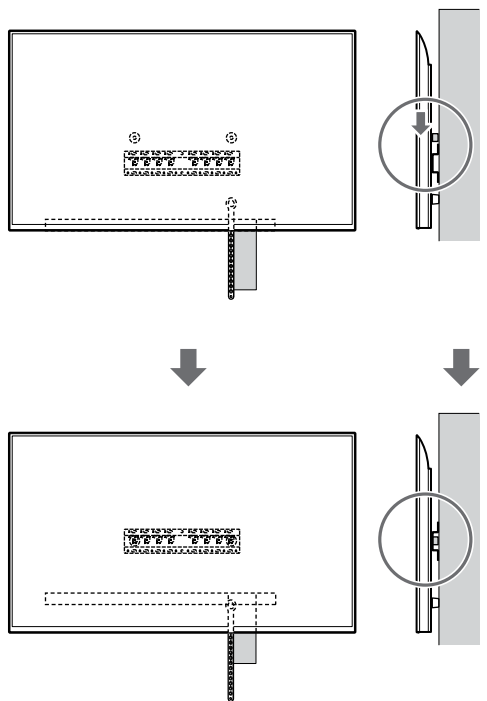
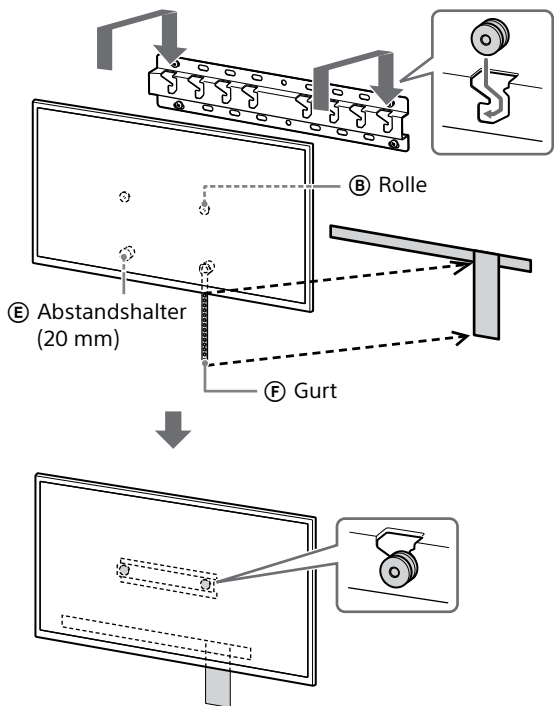


- Nach der Montage des Fernsehgeräts oder LCD-Monitors an der Wand entfernen Sie das Abdeckband usw. von der Wand.

Wenn Standardanbringung (2-a) ausgewählt ist:

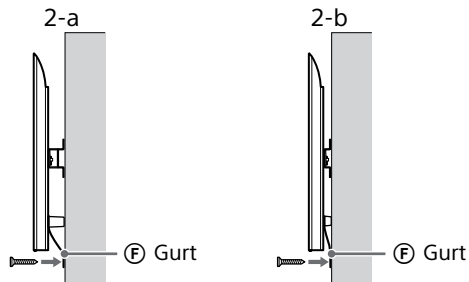


Wenn schmale Anbringung (2-b) gewählt ist:



3 Verhindern Sie, dass sich die Unterseite des Fernsehgeräts oder LCD-Monitors bewegt.

- Spannen Sie den Gurt (F) und befestigen Sie ihn fest an der Wand.



- Verwenden Sie eine Schraube mit einem Durchmesser von 5 mm bzw. eine entsprechende Schraube (nicht mitgeliefert).

Hinweis

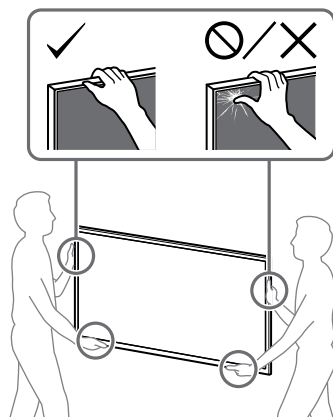
- Versuchen Sie, die Unterseite des Fernsehgeräts oder LCD-Monitors leicht in Ihre Richtung zu ziehen, um sicherzustellen, dass es sich nicht nach vorne bewegt. Wenn das Gerät sich bewegt, ist es nicht richtig fixiert und der Gurt (F) sollte erneut fest fixiert werden.

Außer Modell KD-85X8xL / 85X8xBL / 75X8xL / 75X8xBL, KM-85X8xL / 75X8xL, XR-85X9xL / 75X9xL, XRM-85X9xL / 75X9xL

WARNUNG

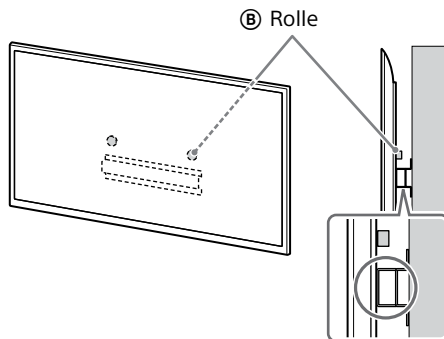
- Zum Transport eines großen Fernsehgeräts oder LCD-Monitors sind zwei oder mehr Personen (drei oder mehr Personen für Fernsehgeräte oder LCD-Monitore von mehr als 189,3 cm (75 Zoll) oder mehr) nötig (außer Ägypten).

Zum Transport eines großen Fernsehgeräts oder LCD-Monitors sind zwei oder mehr Personen (drei oder mehr Personen für Fernsehgeräte oder LCD-Monitore von mehr als 75 Zoll (189,3 cm) oder mehr) nötig (nur Ägypten).



1 Heben Sie das Fernsehgerät oder den LCD-Monitor an.

- Die Position der Rollen (B) zum Aufhängen an der Grundplatte (20) (A) oder dem Grundplattenadapter (I) finden Sie unter „Anbringungsort für Grundplattenadapter (I)“ auf Seite 21.
- Achten Sie darauf, dass die Rückseite des Fernsehgeräts oder LCD-Monitors beim Halten des Fernsehgeräts oder LCD-Monitors die Grundplatte (20) (A) oder den Grundplattenadapter (I) berührt.

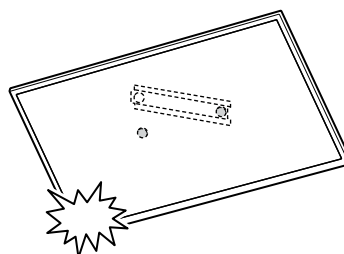


Hinweis

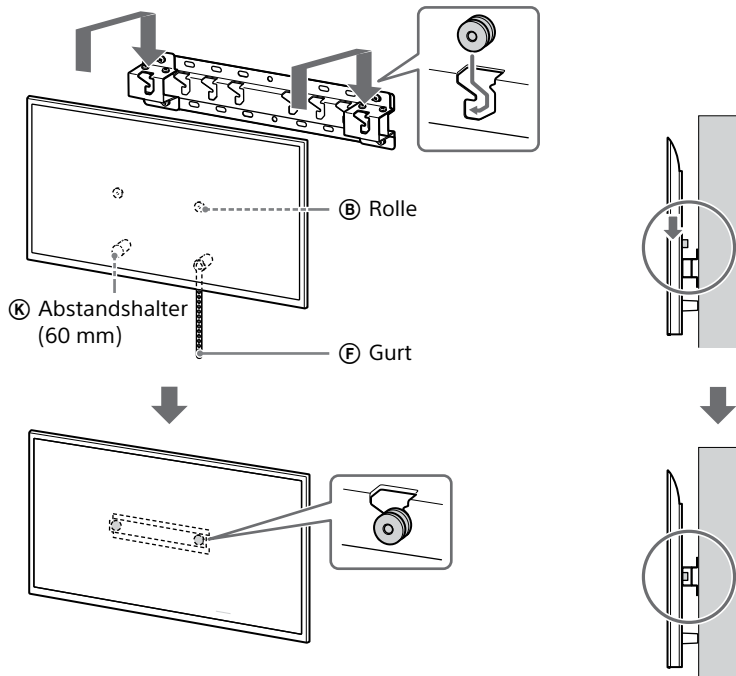
- Halten Sie das Fernsehgerät oder den LCD-Monitor mit beiden Händen fest.

2 Montieren Sie das Fernsehgerät oder den LCD-Monitor auf der Grundplatte (20) (A) oder dem Grundplattenadapter (I).

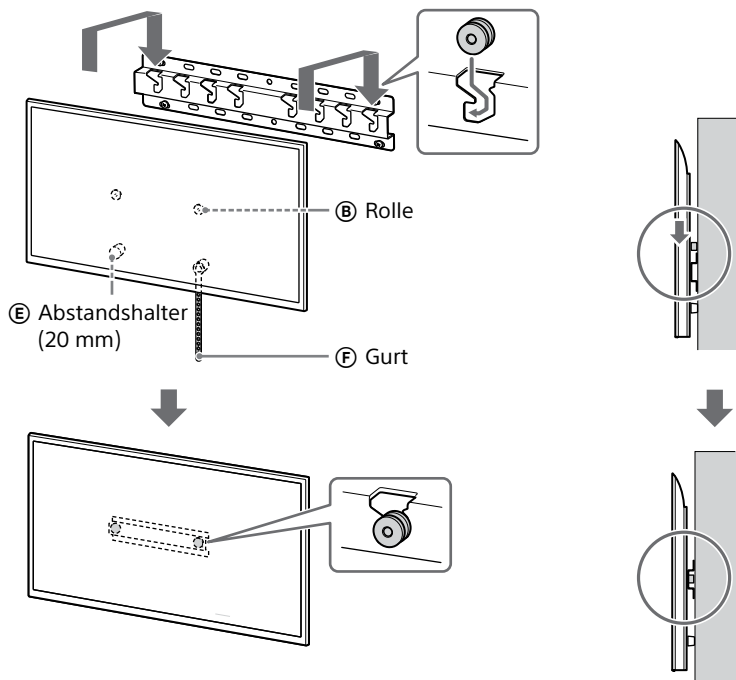
- Schieben Sie das Fernsehgerät oder den LCD-Monitor vorsichtig nach unten und hängen Sie die Rollen (B), die an der Rückseite des Fernsehgeräts oder LCD-Monitors angebracht sind, an die Grundplatte (20) (A) oder den Grundplattenadapter (I), wobei Sie auf die Form der Löcher achten müssen.
- Überprüfen Sie nach der Montage des Fernsehgeräts oder LCD-Monitors an der Wand, ob die Rollen (B) fest in die Grundplatte (20) (A) oder den Grundplattenadapter (I) eingerastet sind.
- Lassen Sie beide Hände langsam los, um sicherzustellen, dass das Fernsehgerät oder der LCD-Monitor nicht herunterfällt.



Wenn Standardanbringung (2-a) ausgewählt ist:

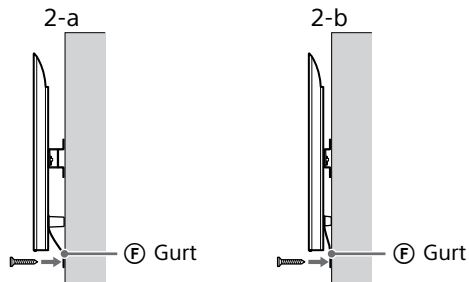


Wenn schmale Anbringung (2-b) gewählt ist:



3 Verhindern Sie, dass sich die Unterseite des Fernsehgeräts oder LCD-Monitors bewegt.

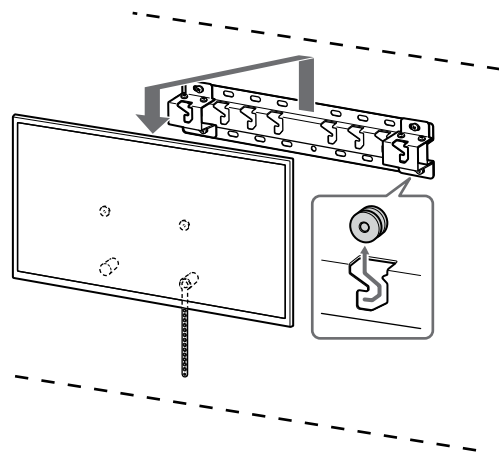
- Spannen Sie den Gurt (F) und befestigen Sie ihn fest an der Wand.



- Verwenden Sie eine Schraube mit einem Durchmesser von 5 mm bzw. eine entsprechende Schraube (nicht mitgeliefert).

Hinweis

- Versuchen Sie, die Unterseite des Fernsehgeräts oder LCD-Monitors leicht in Ihre Richtung zu ziehen, um sicherzustellen, dass es sich nicht nach vorne bewegt. Wenn das Gerät sich bewegt, ist es nicht richtig fixiert und der Gurt (F) sollte erneut fest fixiert werden.



WARNUNG

- Zum Transport eines großen Fernsehgeräts oder LCD-Monitors sind zwei oder mehr Personen (drei oder mehr Personen für Fernsehgeräte oder LCD-Monitore von mehr als 189,3 cm (75 Zoll) oder mehr) nötig (außer Ägypten).
Zum Transport eines großen Fernsehgeräts oder LCD-Monitors sind zwei oder mehr Personen (drei oder mehr Personen für Fernsehgeräte oder LCD-Monitore von mehr als 75 Zoll (189,3 cm) oder mehr) nötig (nur Ägypten).

Überprüfen der abgeschlossenen Montage

Überprüfen Sie die folgenden Punkte.

- Die Rollen (B) sind fest in die Grundplatte (20) (A) oder den Grundplattenadapter (I) eingehängt.
- Die Kabel sind nicht verdreht oder eingeklemmt.
- Der Gurt (F) ist straff gespannt.

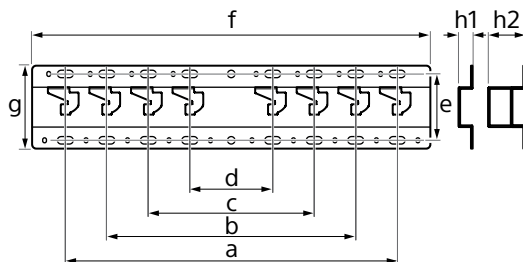
WARNUNG

- Eine unsachgemäße Platzierung des Netzkabels usw. kann zu einem Brand oder Stromschlag durch einen Kurzschluss führen. Achten Sie darauf, die Montage bei Abschluss zur Sicherheit zu überprüfen.

Sonstige Informationen

Führen Sie die Montageschritte in umgekehrter Reihenfolge durch, wenn Sie das Fernsehgerät oder den LCD-Monitor abnehmen.

Technische Daten



Abmessungen: (ca.) [mm]

- a : 400
- b : 300
- c : 200
- d : 100
- e : 80
- f : 480
- g : 100

- h1 : 20 (für schmale Anbringung, 2-b)
- h2 : 60 (für Standardanbringung, 2-a)

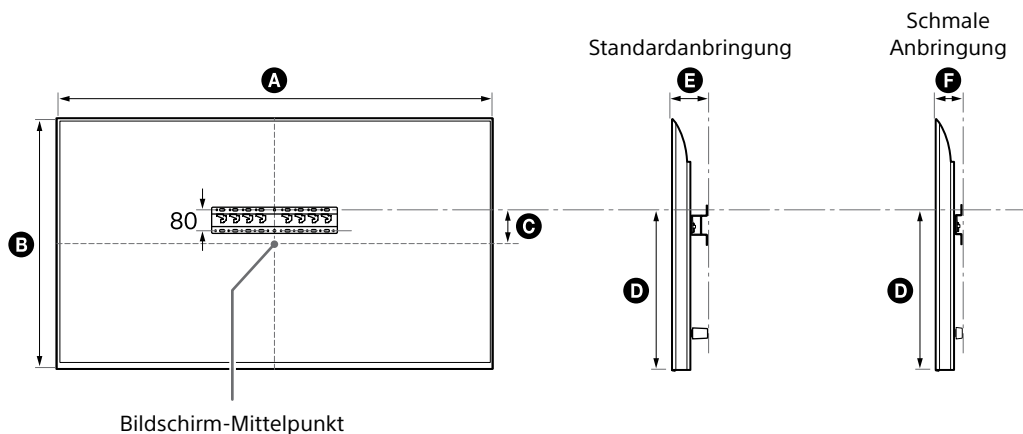
Gewicht (nur Grundplatte): (ca.) [kg]
0,8

Design und technische Daten können ohne vorherige Ankündigung geändert werden.

Referenzen

Maß für die Anbringung der Wandhalterung an der Wand

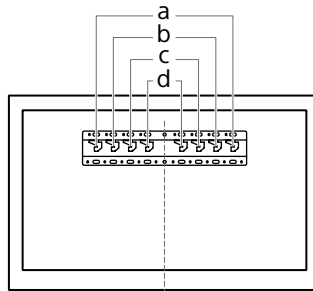
Die Angaben in der Tabelle können je nach Installation etwas variieren.



(mm)

Modellbezeichnung	A	B	C	D	E	F
KD-85X81BL / 85X80L KM-85X80L	1901	1090	43	592	138	96
XR-85X90L XRM-85X90L	1891	1085	58	607	125	83
KD-75X85L KM-75X85L	1671	960	21	508	123	81
KD-75X81BL / 75X80L KM-75X80L	1675	962	12	493	137	95
XR-75X90L XRM-75X90L	1668	959	21	508	123	81
KD-65X85L / 65X85BL KM-65X85L	1447	832	85	505	123	81
KD-65X81BL / 65X80L KM-65X80L	1452	836	76	494	135	93
XR-65X90L XRM-65X90L	1445	831	85	505	123	81
KD-55X85L KM-55X85L	1228	709	146	505	122	81
KD-55X81BL / 55X80L KM-55X80L	1233	713	133	494	135	93
XR-55X90L XRM-55X90L	1225	707	146	505	122	81
KD-50X80L KM-50X80L	1119	649	63	392	133	91
KD-43X80L KM-43X80L	964	563	111	392	133	91

Anbringungsort für Grundplattenadapter ①

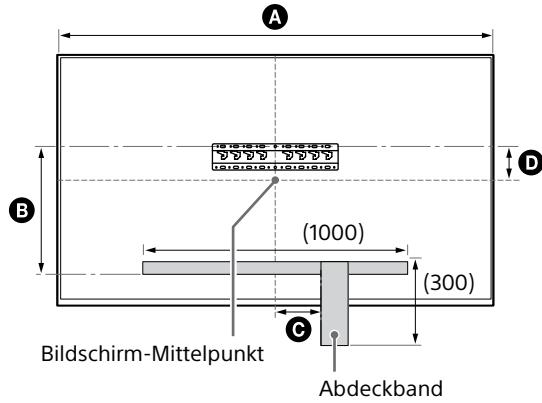


Modellbezeichnung	Hakenpositionen
KD-85X81BL / 85X80L KM-85X80L XR-85X90L XRM-85X90L	a
KD-75X85L / 75X81BL / 75X80L KM-75X85L / 75X80L XR-75X90L XRM-75X90L	b
KD-65X85L / 65X85BL / 65X81BL / 65X80L KM-65X85L / 65X80L XR-65X90L XRM-65X90L	b

Modellbezeichnung	Hakenpositionen
KD-55X85L / 55X81BL / 55X80L KM-55X85L / 55X80L XR-55X90L XRM-55X90L	b
KD-50X80L KM-50X80L	c
KD-43X80L KM-43X80L	c

DE

Wandmarkierung für den Einbauort des Fernsehgeräts oder LCD-Monitors



(mm)

Modellbezeichnung	A	B	C	D
KD-85X81BL / 85X80L KM-85X80L	1901	472	200	43
XR-85X90L XRM-85X90L	1891	486	200	58
KD-75X85L KM-75X85L	1671	388	150	21
KD-75X81BL / 75X80L KM-75X80L	1675	373	150	12
XR-75X90L XRM-75X90L	1668	388	150	21

Installatie-informatie voor de Sony-wandmontagesteun (SU-WL450)

Ondersteunde modellen*:

* In de werkelijke modelnamen staan in plaats van "x"/"xx" nummers en/of letters die voor elk model anders zijn.

KD-85X8xL / 85X8xBL / 75X8xL / 75X8xBL / 65X8xL / 65X8xBL / 55X8xL / 55X8xBL / 50X8xL / 43X8xL

KM-85X8xL / 75X8xL / 65X8xL / 55X8xL / 50X8xL / 43X8xL

XR-85X9xL / 75X9xL / 65X9xL / 55X9xL

XRM-85X9xL / 75X9xL / 65X9xL / 55X9xL

Aan de klanten

Om het apparaat te beschermen en om veiligheidsredenen raadt Sony u met klem aan de tv of lcd-monitor te laten installeren door een Sony-dealer of een erkende installateur. Probeer de installatie niet zelf uit te voeren.

Aan Sony-dealers en installateurs

Let goed op de veiligheid tijdens installatie, periodiek onderhoud en inspectie van dit product.

Voor de installatie van dit product is de nodige expertise vereist, met name om te bepalen of de muur sterk genoeg is om het gewicht van de tv of lcd-monitor te dragen. Laat de installatie van dit product aan een muur uitvoeren door een Sony-dealer of een erkende installateur, en let goed op de veiligheid tijdens de installatie. Sony kan niet aansprakelijk worden gesteld voor schade of letsels als gevolg van een onjuiste behandeling of installatie.

Volg voor een veilige en juiste installatie de gebruiksaanwijzing van de wandmontagesteun, de installatiehandleiding van de tv of lcd-monitor en de aanwijzingen in deze handleiding.

Wandmontagesteun

Veiligheid

Bedankt voor uw aankoop van dit product.

Aan de klanten

De tv of lcd-monitor aan de muur bevestigen



WAARSCHUWING

PROFESSIONELE INSTALLATIE VEREIST

Dit product mag uitsluitend worden geïnstalleerd door een erkende installateur die kan bepalen of de wand sterk genoeg is voor het gewicht van de tv of lcd-monitor. Als de steun niet goed aan de wand bevestigd wordt, dan kan de tv of lcd-monitor vallen en ernstig letsel veroorzaken. Sony is niet aansprakelijk voor schade en/of letsel als gevolg van verkeerde behandeling of onjuiste installatie, of voor installaties anders dan het vermelde product. Uw wettelijke rechten (indien van toepassing) worden niet aangetast.

Aan Sony-dealers

Om dit product te kunnen installeren is afdoende deskundigheid nodig. Lees deze gebruiksaanwijzing aandachtig door zodat u de installatie veilig kunt uitvoeren. Sony is niet aansprakelijk voor schade of letsel als gevolg van onjuist handelen of een onjuiste installatie. Geef deze gebruiksaanwijzing aan de klant nadat het product is geïnstalleerd.

In deze gebruiksaanwijzing wordt beschreven hoe het product moet worden gebruikt en worden belangrijke voorzorgsmaatregelen gegeven die vereist zijn om ongelukken te voorkomen. Het is uw verantwoordelijkheid om deze gebruiksaanwijzing goed door te lezen, alles daarin te begrijpen en alle instructies daarin te volgen. Als u deze verantwoordelijkheid niet neemt, dan kan dat resulteren in ernstig persoonlijk letsel of schade aan eigendommen, en zal de garantie komen te vervallen. Bewaar deze gebruiksaanwijzing voor toekomstig gebruik.

Bij het ontwerpen van producten houdt Sony rekening met de veiligheid. Als de producten onjuist worden gebruikt, kan dit echter ernstige letsels veroorzaken als gevolg van brand, elektrische schokken, omvallen of laten vallen van het product. Houd rekening met de veiligheidsmaatregelen om dergelijke ongevallen te voorkomen.

OPGELET

Opgegeven producten

Deze wandmontagesteun is geschikt voor gebruik met de opgegeven tv's of lcd-monitoren. Voor tv's of lcd-monitoren verwijzen we naar de referentiegids om na te gaan of de wandmontagesteun kan worden gebruikt.

Aan de klanten

WAARSCHUWING

Als u de volgende voorzorgsmaatregelen niet in acht neemt, kan dit leiden tot ernstige verwondingen of zelfs de dood ten gevolge van brand, elektrische schokken of het laten vallen van het product.

Besteed de installatie uit aan bevoegde installateurs en houd kleine kinderen uit de buurt tijdens de installatie.

Als de wandmontagesteun of de tv of lcd-monitor niet correct wordt geïnstalleerd, kunnen de volgende ongelukken zich voordoen. Zorg ervoor dat de installatie wordt uitgevoerd door bevoegde installateurs.

- De tv of lcd-monitor kan vallen en ernstige letsels veroorzaken, zoals kneuzingen of breuken.
- Als de muur waaraan de wandmontagesteun wordt bevestigd onstabiel of ongelijk is of niet loodrecht op de vloer staat, kan de steun vallen, met letsels of beschadiging van eigendommen tot gevolg. De muur moet sterk genoeg zijn om ten minste vier keer het gewicht van de tv of lcd-monitor te dragen. (In de referentiegids van uw tv of lcd-monitor vindt u het gewicht van uw tv of lcd-monitor.)
- Als de wandmontagesteun niet stevig genoeg aan de muur wordt bevestigd, kan de steun vallen, met letsels of beschadiging van eigendommen tot gevolg.

Als u de tv of lcd-monitor wilt verplaatsen of van de steun wilt halen, moet u dit werk uitbesteden aan bevoegde installateurs.

Als andere personen dan bevoegde installateurs de tv of lcd-monitor verplaatsen of van de steun halen, kan de tv of lcd-monitor vallen, met letsels of beschadiging van eigendommen tot gevolg. Er zijn twee of meer personen (drie of meer personen voor 189,3 cm (75 inch) en groter) nodig om een groot tv-toestel of lcd-monitor te vervoeren (behalve Egypte). Er zijn twee of meer personen (drie of meer personen voor 75 inch (189,3 cm) en groter) nodig om een groot tv-toestel of lcd-monitor te vervoeren (alleen Egypte).

Verwijder de schroeven niet nadat de tv of lcd-monitor aan de steun is bevestigd.

Als u dit wel doet, kan de tv of lcd-monitor vallen, met letsels of beschadiging van eigendommen tot gevolg.

Breng geen aanpassingen aan de onderdelen van de wandmontagesteun aan.

Als u dit wel doet, kan de wandmontagesteun vallen, met letsels of beschadiging van eigendommen tot gevolg.

Installeer geen andere producten dan het opgegeven product.

Deze wandmontagesteun is alleen geschikt voor gebruik met het opgegeven product. Als u andere producten dan het opgegeven product gaat installeren, kan het vallen of breken, met letsels of beschadiging van eigendommen tot gevolg.

Bevestig geen ander gewicht dan de tv of lcd-monitor aan de wandmontagesteun. Schud de tv of lcd-monitor niet van links naar rechts of op en neer.

Als u dit wel doet, kan de tv of lcd-monitor vallen, met letsels of beschadiging van eigendommen tot gevolg.

Leun niet op en hang niet aan de tv of lcd-monitor.

Leun niet op en hang niet aan de tv of lcd-monitor. De tv of lcd-monitor kan op u vallen en ernstige letsels veroorzaken.

OPGELET

Als er geen rekening wordt gehouden met de volgende voorzorgsmaatregelen, kan dit letsel of beschadiging van eigendommen tot gevolg hebben.

- Bewaar de ongebruikte onderdelen op een veilige plaats voor later gebruik. Houd ze uit de buurt van kinderen.

Oefen niet te veel druk uit op het product als u dit reinigt of onderhoudt.

Oefen niet te veel druk uit op de bovenkant van de tv of lcd-monitor. Als u dit wel doet, kan de tv of lcd-monitor vallen, met letsels of beschadiging van eigendommen tot gevolg.

Voorzorgsmaatregelen

- Als u de tv of lcd-monitor langere tijd gebruikt terwijl deze aan de wandmontagesteun is bevestigd, kan de muur achter of boven de tv of lcd-monitor verkleuren en kan het behang losraken, afhankelijk van het materiaal waarvan de muur is gemaakt.
- Als u de wandmontagesteun verwijdert nadat u deze aan de muur hebt bevestigd, dan blijven de schroefgaten zichtbaar.
- Gebruik de wandmontagesteun niet op plaatsen waar deze wordt blootgesteld aan mechanische trillingen.

De wandmontagesteun installeren

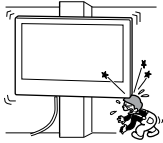
Aan Sony-dealers

WAARSCHUWING

De volgende instructies gelden enkel voor Sony-dealers. Lees zeker de bovenstaande veiligheidsmaatregelen en schenk extra aandacht aan de veiligheid tijdens de installatie, het onderhoud en de controle van dit product.

Installeer de wandmontagesteun niet op een muuroppervlak waarbij de hoeken of de zijkanten van de tv of lcd-monitor de wand niet raken.

Installeer de wandmontagesteun niet op muuroppervlakken, zoals een pilaar, waarbij de hoeken of de zijkanten van de tv of lcd-monitor de wand niet raken. Als een persoon of voorwerp tegen een uitstekende hoek of zijkant van de tv of lcd-monitor botst, kan dit letsels of beschadiging van eigendommen tot gevolg hebben.

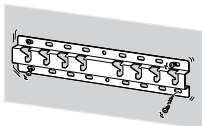


Installeer de tv of lcd-monitor niet boven of onder een airconditioner.

Als de tv of lcd-monitor voor langere tijd wordt blootgesteld aan waterlekage of luchtcirculatie van een airconditioner, kan dit brand, elektrische schokken of een storing van de tv of lcd-monitor tot gevolg hebben.

Bevestig de wandmontagesteun stevig aan de muur volgens de instructies in deze gebruiksaanwijzing.

Als een van de schroeven los zit of valt, kan de wandmontagesteun vallen, met letsels of beschadiging van eigendommen tot gevolg. Gebruik schroeven die geschikt zijn voor het materiaal van de muur en bevestig de steun stevig met vier of meer schroeven van 8 mm diameter (of gelijkwaardig).



Gebruik de bijgeleverde schroeven en montageonderdelen op de juiste manier volgens de instructies in deze gebruiksaanwijzing.

Als u andere onderdelen gebruikt, kan de tv of lcd-monitor vallen, met lichamelijke letsels of beschadiging van de tv of lcd-monitor tot gevolg.

Zorg ervoor dat u de steun correct monteert volgens de instructies in deze gebruiksaanwijzing.

Als een van de schroeven los zit of valt, kan de tv of lcd-monitor vallen, met lichamelijke letsels of beschadiging van de tv of lcd-monitor tot gevolg.

Draai de schroeven stevig vast op de aangegeven plaats.

Als u dit niet doet, kan de tv of lcd-monitor vallen, met lichamelijke letsels of beschadiging van de tv of lcd-monitor tot gevolg.

Stel de tv of lcd-monitor niet bloot aan schokken tijdens de installatie.

Als de tv of lcd-monitor wordt blootgesteld aan schokken, kan die vallen of breken. Dit kan letsels tot gevolg hebben.

Bevestig de tv of lcd-monitor aan een vlakke muur die loodrecht op de vloer staat.

Als u dit niet doet, kan de tv of lcd-monitor vallen, met letsels tot gevolg.

Bundel de kabels goed samen na het installeren van de tv of lcd-monitor.

Als mensen of voorwerpen blijven haperen aan de kabels, kan dit letsels of beschadiging van de tv of lcd-monitor tot gevolg hebben.

Zorg ervoor dat het netsnoer en de verbindingkabel niet geklemd raken.

Als het netsnoer of de verbindingkabel geklemd raakt tussen de steun en de muur of als een van beide met kracht gebogen of gedraaid is, kan de interne bedrading worden blootgelegd, waardoor er kortsluiting of een stroomonderbreking kan worden veroorzaakt. Dit kan brand of elektrische schokken tot gevolg hebben.



De schroeven die u nodig hebt om de wandmontagesteun te bevestigen, zijn niet bijgeleverd.

Gebruik voor het bevestigen van de wandmontagesteun schroeven die geschikt zijn voor het materiaal en de structuur van de muur.

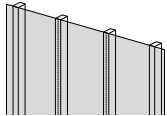
Voor u aan de slag gaat

- De illustraties van de tv of lcd-monitor die in deze handleiding worden getoond, zijn voorbeelden die worden gebruikt om de handelingen te verduidelijken. Daarom kunnen de afbeeldingen afwijken van uw werkelijke tv of lcd-monitor.

Waaruit bestaat de muur?

Ga eerst na aan welk type muur u de tv of lcd-monitor zult bevestigen.

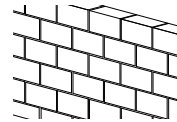
Gipsplaatwand met stijlen



Voorzorgsmaatregelen

- Maximale dikte van de gipsplaten: 16 mm.
- Zorg ervoor dat het formaat van de houten stijlen minstens 51 mm × 102 mm bedraagt voor normaal of 38 mm × 89 mm voor nominaal.

Massief beton of betonstenen



Voorzorgsmaatregelen

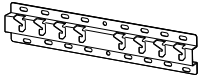








- Bevestig de wandmontagesteun rechtstreeks aan de muur uit massief beton.
- Zorg ervoor dat muur uit massief beton minstens 203 mm dik is.
- Zorg ervoor dat het formaat van elke betonsteen minstens 203 mm × 203 mm × 406 mm bedraagt.

NL




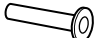

De onderdelen controleren

Bijgeleverd bij SU-WL450

- Ga na of alle onderdelen bijgeleverd zijn.

<p>Ⓐ Basissteun (20) (x1)</p> 	<p>Ⓑ Kabelschijf (x2)</p> 	<p>Ⓒ Schroef (+PSW 6 x 20) (x4)</p> 	<p>Ⓔ Afstandhouder (20 mm) (x 2)</p> 
<p>Ⓕ Riem (x1)</p> 	<p>Ⓘ Basissteunadapter (x2)</p> 	<p>Ⓙ Schroef (+PSW 4 x 10) (x8)</p> 	<p>Ⓚ Afstandhouder (60 mm) (x 2)</p> 
<p>Ⓛ Schroef (+PSW 6 x 50) (x2)</p> 			

- Deze onderdelen mogen niet worden gebruikt voor uw model.

<p>Ⓓ Schroef (+PSW 4 x 20) met huls (x2)</p> 	<p>Ⓞ Huls (20) (M4) (x2)</p> 	<p>Ⓢ Schroef (+PSW 4 x 20) (x2)</p> 	<p>Ⓜ Huls (M4) (x2)</p> 
<p>Ⓝ Schroef (+PSW 4 x 50) (x2)</p> 			



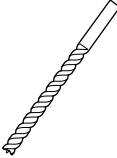
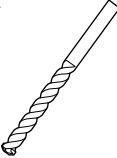
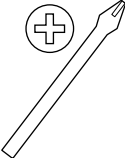
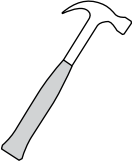
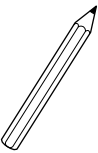
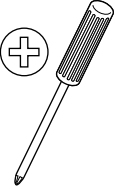
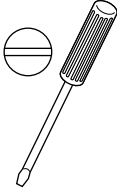
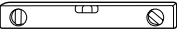



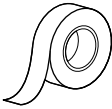
Bijgeleverd bij de tv of lcd-monitor

<p>Bevestigingsplaat voor wandmontage VS (x4)*</p> 

- * Beperkt tot bepaalde regio's/landen/modellen.

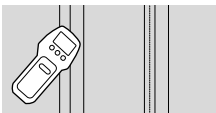
De voorbereidingen treffen voor de installatie

- Houd de referentieijds en de installatiehandleiding van de tv of lcd-monitor bij de hand vóór de installatie.
- Bepaal waar u de tv of lcd-monitor zult installeren.
- Zorg voor vier of meer schroeven met een diameter van 8 mm en een schroef met een diameter van 5 mm of gelijkwaardig (niet bijgeleverd). Gebruik schroeven die geschikt zijn voor het materiaal van de muur.
- Bereid het volgende gereedschap voor:

*1 		 5,5 mm	 10 mm	
*2 		 1,5 N·m {15 kgf·cm}	*3  1,5 N·m {15 kgf·cm}	
	*2  (x4)	 (x4) 8 mm × 60 mm	 5 mm	
*4 				

NL

*1 Alleen voor gipsplaatwand met stijlen



*2 Alleen voor massief beton en betonstenen

*3 Afhankelijk van de modellen

*4 Alleen voor tv's of lcd-monitors van 189,3 cm (75 inch) en groter (behalve Egypte)
Alleen voor tv's of lcd-monitors van 75 inch (189,3 cm) en groter (alleen Egypte)

De wandmontagesteun aan de wand bevestigen

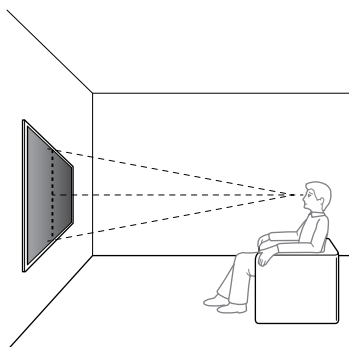
1 Bepaal de locatie van de installatie.

Voorzie voldoende ruimte voor de tv of lcd-monitor aan de muur en zorg ervoor dat deze minstens vier keer het gewicht van de tv of lcd-monitor kan dragen.

Raadpleeg de referentiegids van uw tv of lcd-monitor voor het gewicht van uw tv of lcd-monitor.

Opmerking

- Wanneer uw tv of lcd-monitor aan een muur is bevestigd, helt de bovenzijde van de tv of lcd-monitor licht naar voor.
- We adviseren om de positie van de tv of lcd-monitor in de kijkruimte te controleren.



2 Selecteer wandmontagestijl zoals hieronder getoond.

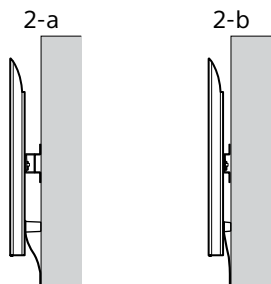
2-a: Standaardmontage

2-b: Smalle montage

- Zie "Afmeting om de wandmontagesteun aan de wand te monteren" op pagina 18.

WAARSCHUWING

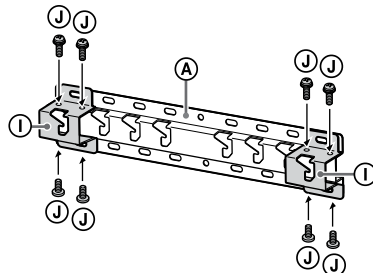
- Als u kiest voor 2-b, zijn de aansluitingen achteraan slechts beperkt toegankelijk.



3 Als standaardmontage (2-a) is gekozen:

Monteer basissteunadapter ① met schroef (+PSW 4 x 10) ② op basissteun (20) ③.

- Zie "Locatie voor monteren van basissteunadapter ①" op pagina 19.



Vb., monteren basissteunadapter ① op locatie "a"

Als smalle montage (2-b) is gekozen:

Sla deze stap over.

4 Bepaal de posities van de schroeven voor de installatie van de basissteun (20) ③.

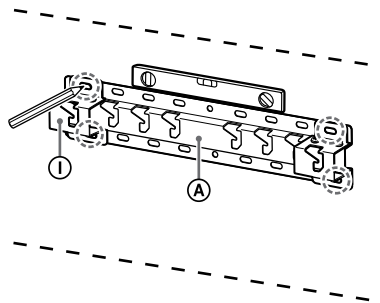
- Zie "Technische gegevens" op pagina 17.

WAARSCHUWING

- Bepaal de sterkte van de muur waarop de tv of lcd-monitor wordt gemonteerd. Versterk de muur indien nodig.
- De muur waaraan de tv of lcd-monitor bevestigd zal worden, moet sterk genoeg zijn om ten minste vier keer het gewicht van de tv of lcd-monitor te dragen. (In de referentiegids van uw tv of lcd-monitor vindt u het gewicht van uw tv of lcd-monitor.)

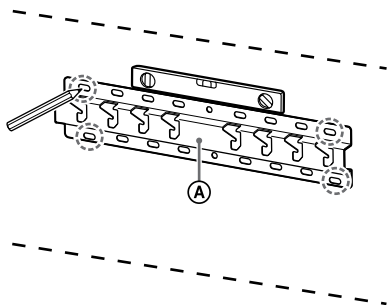
Als standaardmontage (2-a) is gekozen:

Gebruik de gatposities van basissteunadapter ①.



Vb., markering op locatie "a" om basissteun (20) ③ te monteren

Als smalle montage (2-b) is gekozen:

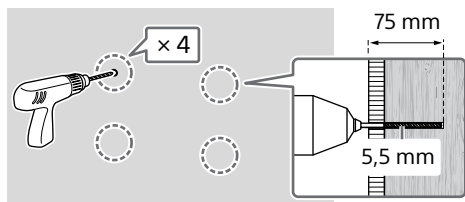


Vb., markering op locatie "a" om basissteun (20) A te monteren

5 Boor proefgaten op de markeerpunten.

Wees er zeker van dat de plek op de muur waar u de gaten wilt boren sterk genoeg is om het gewicht van ten minste vier keer dat van de tv of lcd-monitor te dragen.

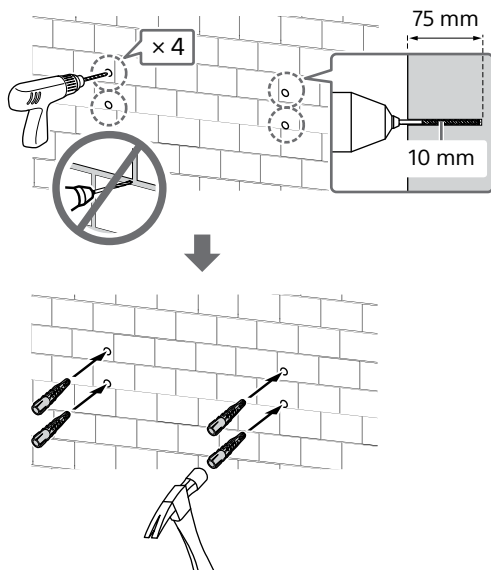
Boren in gipsplaatwand met stijlen:



Opmerking

- De voorgeboorde gaten moeten 75 mm diep zijn en een diameter van 5,5 mm hebben.

Boren in massief beton of betonstenen:



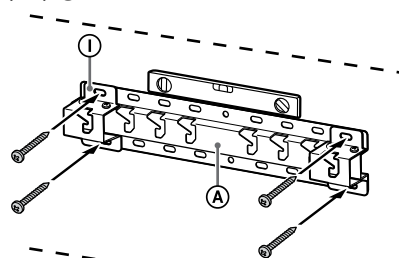
6 Plaats de basissteun (20) A aan de muur met behulp van geschikte schroeven (niet bijgeleverd).

Opmerking

- Gebruik vier of meer schroeven met een diameter van 8 mm of gelijkwaardig (niet bijgeleverd).
- Gebruik een waterpas om te controleren of de basissteun (20) A waterpas is.

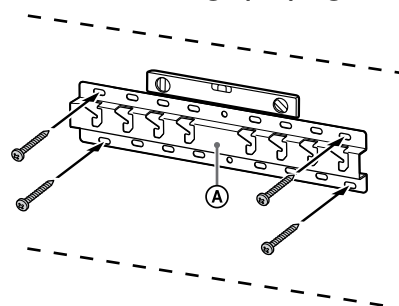
Als standaardmontage (2-a) is gekozen:

Befestig vier schroeven in de gaten van de basissteunadapter (1) met de basissteun (20) A.



Vb., monteren basissteun (20) A op locatie "a"

Als smalle montage (2-b) is gekozen:



Vb., monteren basissteun (20) A op locatie "a"

7 Alleen KD-85X8xL / 85X8xBL / 75X8xL / 75X8xBL, KM-85X8xL / 75X8xL, XR-85X9xL / 75X9xL, XRM-85X9xL / 75X9xL

Markeer de plaats van installatie op de wand.

Gebruik afplaktape, enz. (niet meegeleverd) om de plaats van de tv of lcd-monitor te markeren in de buurt van de basissteun (20) A of basissteunadapter (1).

- Zie "Wandmarkering voor de installatieplaats van tv of lcd-monitor" op pagina 20.

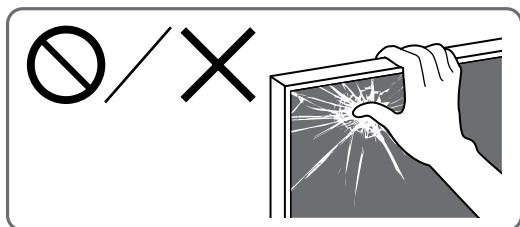
Behalve KD-85X8xL / 85X8xBL / 75X8xL / 75X8xBL, KM-85X8xL / 75X8xL, XR-85X9xL / 75X9xL, XRM-85X9xL / 75X9xL

Sla deze stap over.

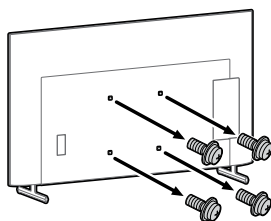
De installatie van de tv of lcd-monitor voorbereiden

Opmerking

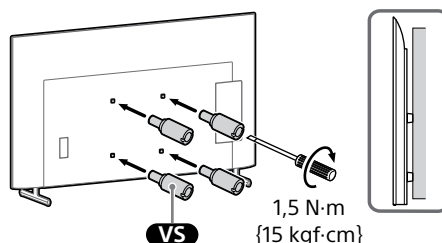
- Bewaar de verwijderde schroeven en ongebruikte onderdelen op een veilige plaats waar kinderen er niet bij kunnen.



- 1** Bevestig de tafelstandaard om de tv of lcd-monitor rechtop te zetten.
 - Zie de installatiehandleiding van uw tv of lcd-monitor.
- 2** Verwijder de schroeven aan de achterkant van de tv of lcd-monitor.



- 3** Bevestig de bevestigingsplaat voor de wandmontage **VS** (bijgeleverd met de tv of lcd-monitor) aan de achterzijde van de tv of lcd-monitor (om het evenwijdig aan de wand te maken).



Opmerking

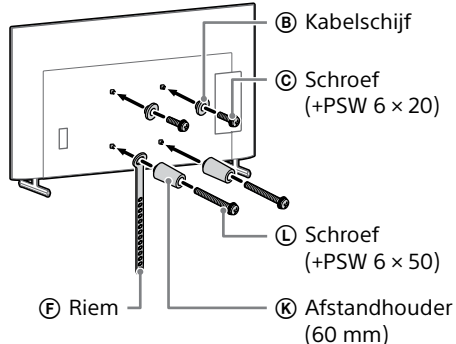
- Zorg ervoor dat de bevestigingsplaat voor wandmontage **VS** goed vastzit wanneer u deze aan de tv of lcd-monitor bevestigt. Gebruik alleen een platte schroevendraaier voor installatie van de bevestigingsplaat voor de wandmontage **VS**. Bij gebruik van ander gereedschap kan de bevestigingsplaat voor wandmontage **VS** te vast worden aangedraaid waardoor de tv of lcd-monitor beschadigd kan raken.

- 4** Bevestig de bevestigingsonderdelen voor de wandmontagesteun. Controleer de onderdelen van de bevestigingsplaat aan de hand van "Bijgeleverd bij SU-WL450" en "De onderdelen controleren" op pagina 6.

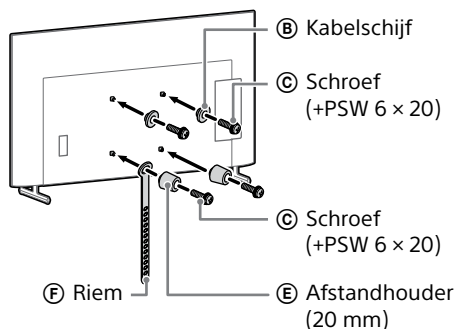
Opmerking

- Zorg ervoor dat de bevestigingsonderdelen goed vastgeschroefd zijn.
- Wanneer u een elektrische schroevendraaier gebruikt, moet u de draaikracht instellen op ongeveer 1,5 N·m {15 kgf·cm}.

Als standaardmontage (2-a) is gekozen:



Als smalle montage (2-b) is gekozen:



5 Sluit de nodige kabels aan op de tv of lcd-monitor.

Zorg ervoor dat alle kabels aangesloten zijn voor u de tv of lcd-monitor aan de muur bevestigt. Als de tv of lcd-monitor geïnstalleerd is, kunt u de kabels niet langer aansluiten.

Opmerking

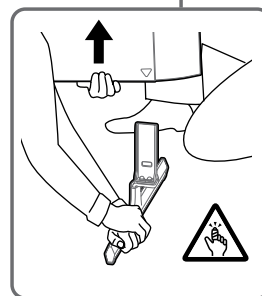
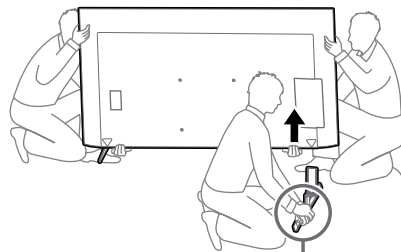
- Laat de bekabeling in de muur uitvoeren door een erkende installateur.
- Bind de aansluitkabels vóór bevestiging tegen de wand samen, om te voorkomen dat u er op gaat staan.

6 Maak de tafelstandaard los van de tv of lcd-monitor.

De volgende afbeelding is een voorbeeld van deze handeling.

Behalve KD-75X85L / 65X85L / 65X85BL / 55X85L, KM-75X85L / 65X85L / 55X85L, XR-85X90L / 75X90L / 65X90L / 55X90L, XRM-85X90L / 75X90L / 65X90L / 55X90L

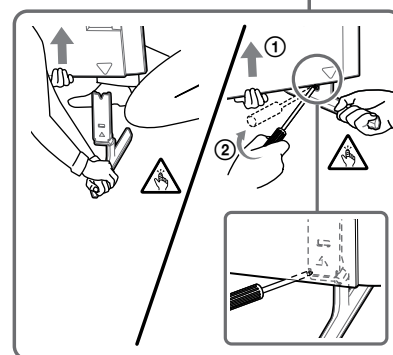
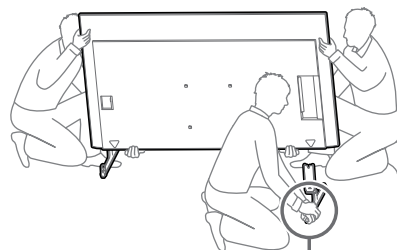
- Verwijder één zijde van de tafelstandaard tegelijkertijd. Houd de tafelstandaard stevig vast met beide handen terwijl de andere personen de tv of lcd-monitor optillen.



- Herhaal de vorige stap en verwijder de andere zijde van de tafelstandaard.

Alleen KD-75X85L / 65X85L / 65X85BL / 55X85L, KM-75X85L / 65X85L / 55X85L

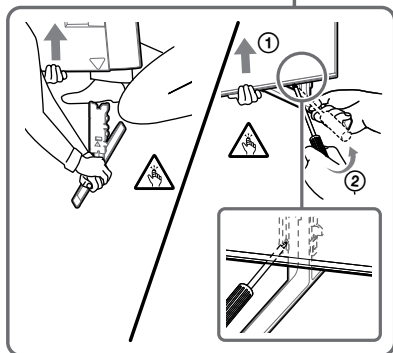
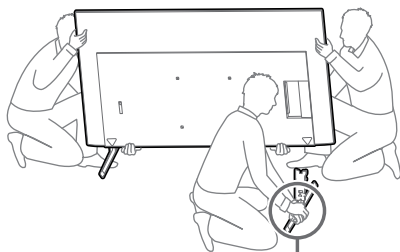
- Verwijder één zijde van de tafelstandaard tegelijkertijd. Houd de tafelstandaard stevig vast met beide handen terwijl de andere personen de tv of lcd-monitor optillen.



- Herhaal de vorige stap en verwijder de andere zijde van de tafelstandaard.

Alleen XR-85X90L / 75X90L / 65X90L / 55X90L, XRM-85X90L / 75X90L / 65X90L / 55X90L

- Verwijder één zijde van de tafelstandaard tegelijkertijd. Houd de tafelstandaard stevig vast met beide handen terwijl de andere personen de tv of lcd-monitor optillen.



- Herhaal de vorige stap en verwijder de andere zijde van de tafelstandaard.

Opmerking

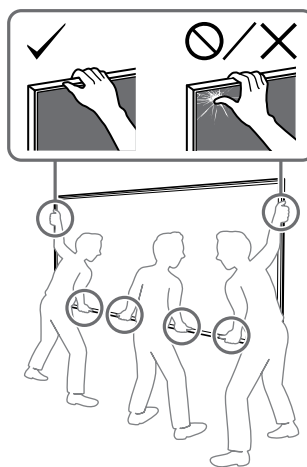
- Er zijn drie of meer personen nodig om de tafelstandaard te verwijderen.
- Zorg ervoor dat er niet te veel kracht wordt gebruikt bij het verwijderen van de tafelstandaard van de tv of lcd-monitor, omdat daardoor de tv of lcd-monitor kan vallen en dit kan persoonlijk letsel of fysieke beschadiging van de tv of lcd-monitor tot gevolg hebben.
- Wees voorzichtig met de tafelstandaard om schade aan de tv of lcd-monitor te voorkomen.
- Wees voorzichtig bij het optillen van de tv of lcd-monitor als de tafelstandaard gedemonteerd is, omdat de tafelstandaard kan omvallen en dit persoonlijk letsel tot gevolg kan hebben.
- Wees voorzichtig bij het verwijderen van de tafelstandaard van de tv of lcd-monitor en voorkom dat deze omvalt en het oppervlak waar de tv of lcd-monitor op staat beschadigt.

De tv of lcd-monitor aan de muur bevestigen

Alleen KD-85X8xL / 85X8xBL / 75X8xL / 75X8xBL, KM-85X8xL / 75X8xL, XR-85X9xL / 75X9xL, XRM-85X9xL / 75X9xL

WAARSCHUWING

- Er zijn twee of meer personen (drie of meer personen voor 189,3 cm (75 inch) en groter) nodig om een groot tv-toestel of lcd-monitor te vervoeren (behalve Egypte). Er zijn twee of meer personen (drie of meer personen voor 75 inch (189,3 cm) en groter) nodig om een groot tv-toestel of lcd-monitor te vervoeren (alleen Egypte).



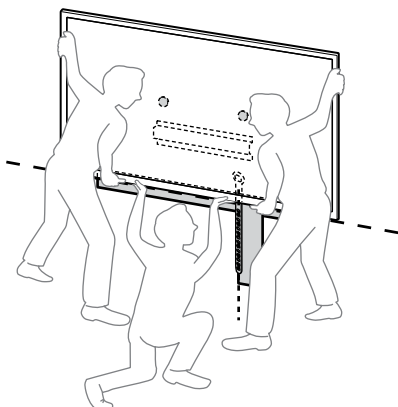
1 Til de tv of lcd-monitor op.

- Voor de locatie van de kabelschijven ② om aan de basissteun (20) ④ of basissteunadapter ① te hangen, zie "Locatie voor monteren van basissteunadapter ①" op pagina 19.
- Zorg ervoor dat de achterzijde van de tv of lcd-monitor de basissteun (20) ④ of basissteunadapter ① raakt terwijl u de tv of lcd-monitor vasthoudt.

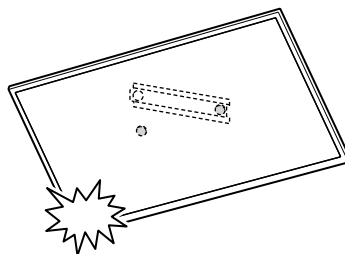
Opmerking

- Houd de tv of lcd-monitor stevig met beide handen vast en zorg dat de riem ⑥ en de onderzijde van de tv of lcd-monitor overeenkomen met het afplakband.

- Draag de tv of lcd-monitor met drie personen en degene die vóór de tv of lcd-monitor staat, moet de anderen leiden om de positie aan te passen.

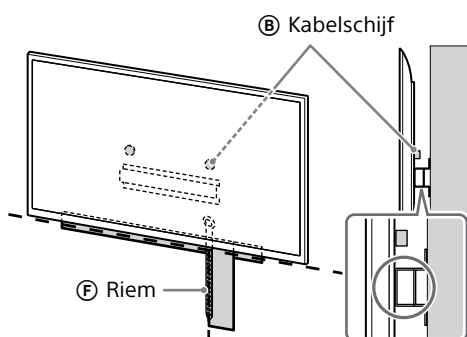


- Laat beide handen langzaam los en zorg ervoor dat de tv of lcd-monitor niet valt.



- Nadat de tv of lcd-monitor op de wand is geïnstalleerd, kan het afplakband e.d. van de wand worden verwijderd.

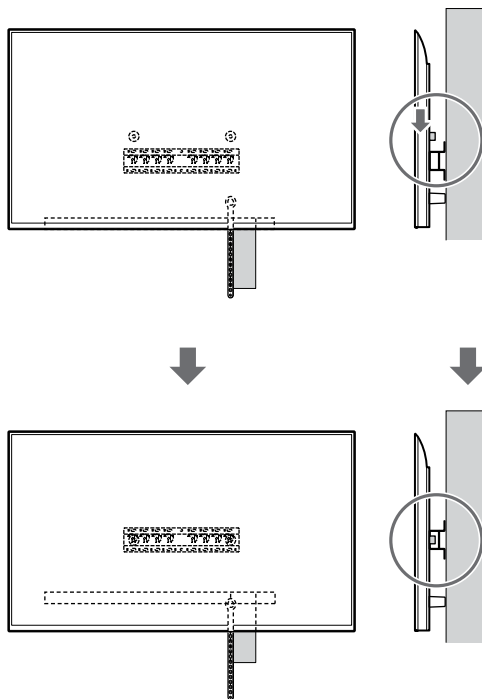
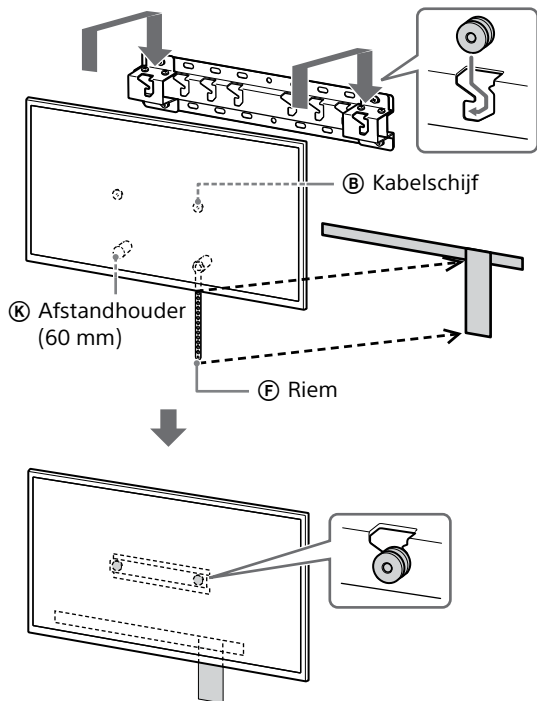
- Wees erg voorzichtig met het installeren van de tv of lcd-monitor op de wand, speciaal voor degene die de tv of lcd-monitor aan de onderzijde ondersteunt. De tv of lcd-monitor kan vallen en daardoor ernstig persoonlijk letsel of zelfs overlijden tot gevolg hebben.



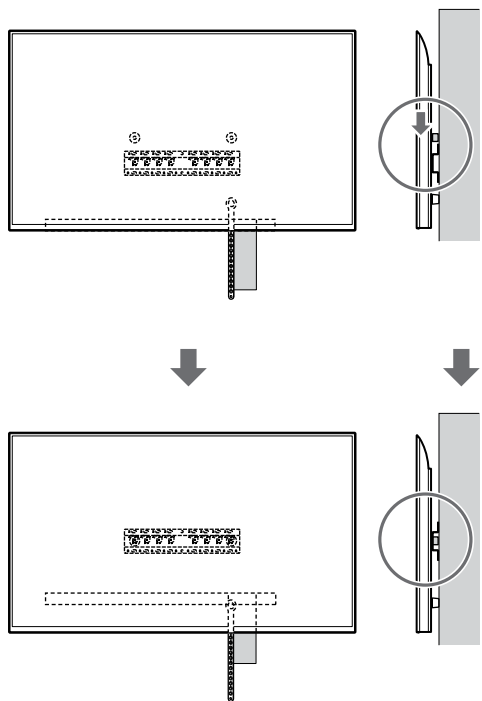
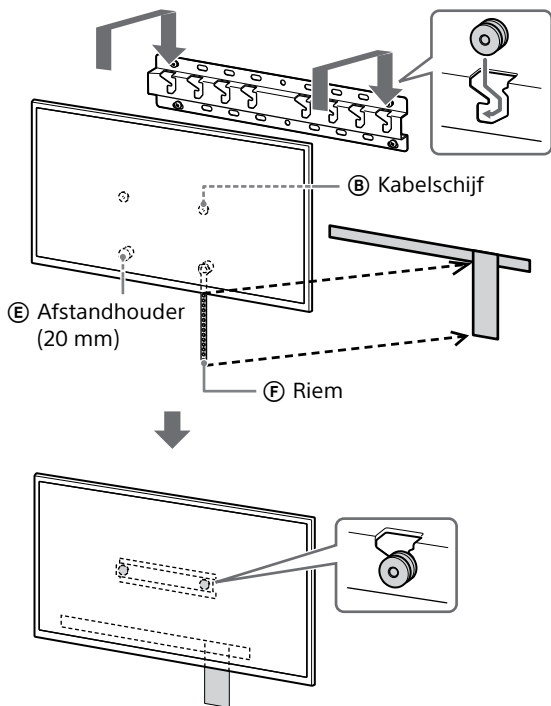
2 Installeer de tv of lcd-monitor op de basissteun (20) (A) of basissteunadapter (I).

- Schuif de tv of lcd-monitor voorzichtig omlaag en hang de kabelschijven (B) die bevestigd zijn aan de achterkant van de tv of lcd-monitor, op de basissteun (20) (A) of basissteunadapter (I). Let hierbij op de vorm van de openingen.
- Controleer na het bevestigen van de tv of lcd-monitor aan de muur of de kabelschijven (B) stevig verankerd zijn in de basissteun (20) (A) of basissteunadapter (I).

Als standaardmontage (2-a) is gekozen:

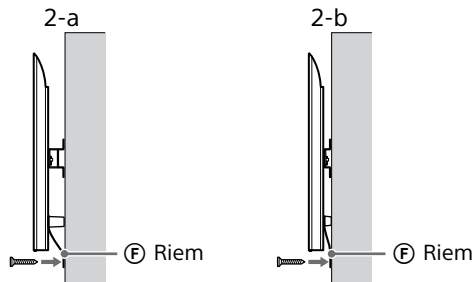


Als smalle montage (2-b) is gekozen:



3 Voorkom dat de onderkant van de tv of lcd-monitor gaat bewegen.

- Span de riem (F) goed aan en bevestig deze stevig aan de muur.



- Gebruik een schroef met een diameter van 5 mm of gelijkwaardig (niet bijgeleverd).

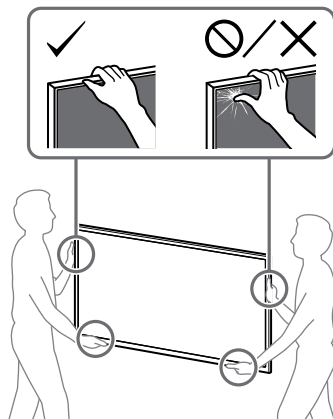
Opmerking

- Probeer zacht de onderkant van de tv of lcd-monitor naar u toe te trekken om te controleren dat deze niet kan bewegen. Als het nog beweegt is het niet goed bevestigd en moet de riem (F) opnieuw vastgemaakt worden.

Behalve KD-85X8xL / 85X8xBL / 75X8xL / 75X8xBL, KM-85X8xL / 75X8xL, XR-85X9xL / 75X9xL, XRM-85X9xL / 75X9xL

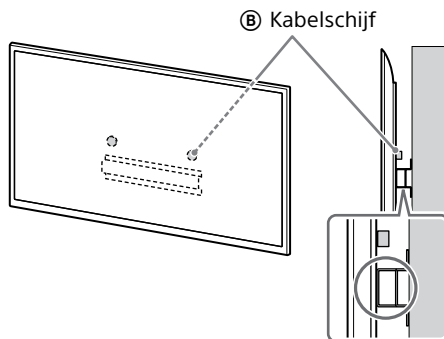
WAARSCHUWING

- Er zijn twee of meer personen (drie of meer personen voor 189,3 cm (75 inch) en groter) nodig om een groot tv-toestel of lcd-monitor te vervoeren (behalve Egypte). Er zijn twee of meer personen (drie of meer personen voor 75 inch (189,3 cm) en groter) nodig om een groot tv-toestel of lcd-monitor te vervoeren (alleen Egypte).



1 Til de tv of lcd-monitor op.

- Voor de locatie van de kabelschijven (B) om aan de basissteun (20) (A) of basissteunadapter (1) te hangen, zie "Locatie voor monteren van basissteunadapter (1)" op pagina 19.
- Zorg ervoor dat de achterzijde van de tv of lcd-monitor de basissteun (20) (A) of basissteunadapter (1) raakt terwijl u de tv of lcd-monitor vasthoudt.

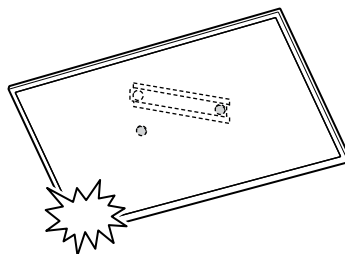


Opmerking

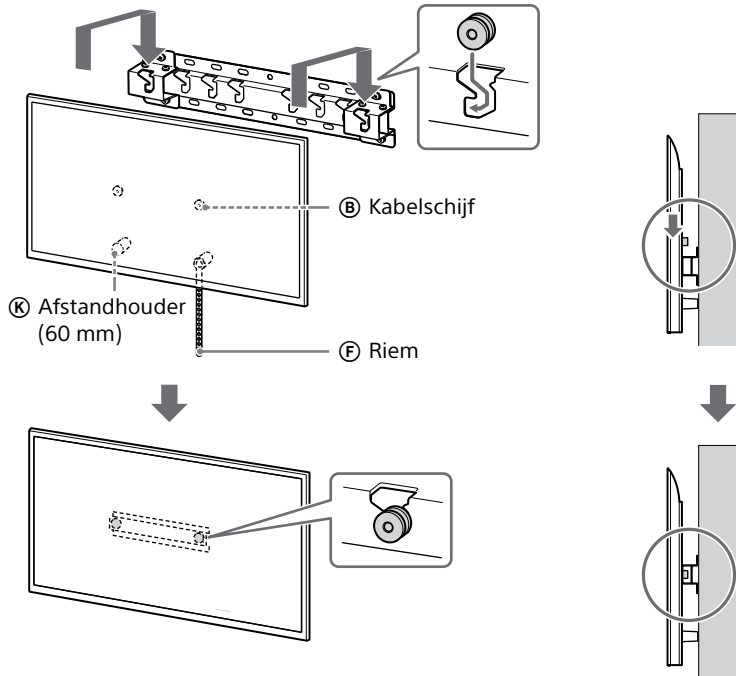
- Houd de tv of lcd-monitor stevig met beide handen vast.

2 Installeer de tv of lcd-monitor op de basissteun (20) (A) of basissteunadapter (1).

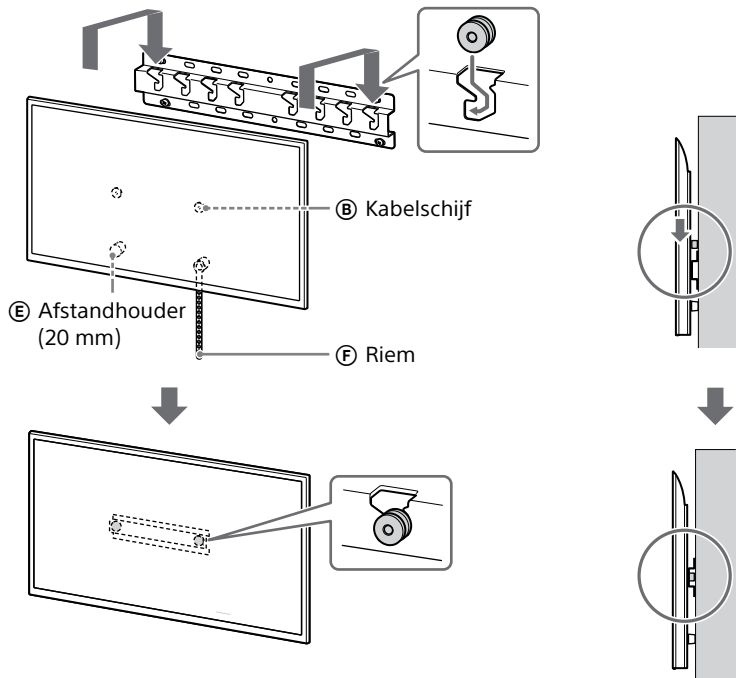
- Schuif de tv of lcd-monitor voorzichtig omlaag en hang de kabelschijven (B) die bevestigd zijn aan de achterkant van de tv of lcd-monitor, op de basissteun (20) (A) of basissteunadapter (1). Let hierbij op de vorm van de openingen.
- Controleer na het bevestigen van de tv of lcd-monitor aan de muur of de kabelschijven (B) stevig verankerd zijn in de basissteun (20) (A) of basissteunadapter (1).
- Laat beide handen langzaam los en zorg ervoor dat de tv of lcd-monitor niet valt.



Als standaardmontage (2-a) is gekozen:

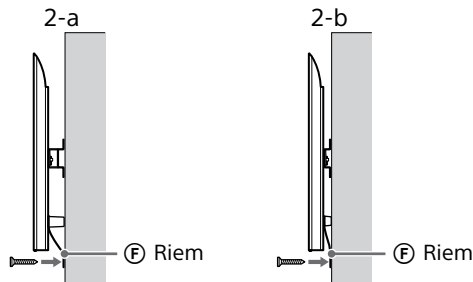


Als smalle montage (2-b) is gekozen:



3 Voorkom dat de onderkant van de tv of lcd-monitor gaat bewegen.

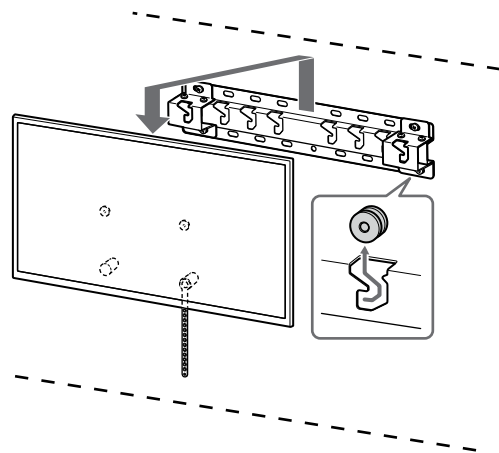
- Span de riem (F) goed aan en bevestig deze stevig aan de muur.



- Gebruik een schroef met een diameter van 5 mm of gelijkwaardig (niet bijgeleverd).

Opmerking

- Probeer zacht de onderkant van de tv of lcd-monitor naar u toe te trekken om te controleren dat deze niet kan bewegen. Als het nog beweegt is het niet goed bevestigd en moet de riem (F) opnieuw vastgemaakt worden.



WAARSCHUWING

- Er zijn twee of meer personen (drie of meer personen voor 189,3 cm (75 inch) en groter) nodig om een groot tv-toestel of lcd-monitor te vervoeren (behalve Egypte). Er zijn twee of meer personen (drie of meer personen voor 75 inch (189,3 cm) en groter) nodig om een groot tv-toestel of lcd-monitor te vervoeren (alleen Egypte).

De installatie controleren

Controleer de volgende punten.

- De kabelschijven (B) zijn stevig verankerd in de basissteun (20) (A) of basissteunadapter (I).
- Het snoer en de kabel zijn niet verstrengeld of gekneld.
- De riem (F) is stevig aangespannen.

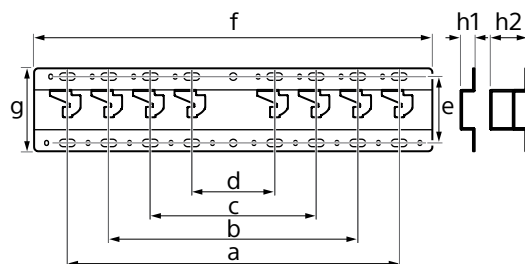
WAARSCHUWING

- Een fout aangesloten netsnoer enz. kan door een kortsluiting brand of elektrische schokken veroorzaken. Controleer altijd achteraf de installatie om zeker te zijn dat alles veilig is.

Extra informatie

Voer de hiervoor beschreven installatieprocedure omgekeerd uit om de tv of lcd-monitor van de muur te verwijderen.

Technische gegevens



Afmetingen: (ong.) [mm]

- a : 400
- b : 300
- c : 200
- d : 100
- e : 80
- f : 480
- g : 100

- h1 : 20 (voor smalle montage, 2-b)
- h2 : 60 (voor standaardmontage, 2-a)

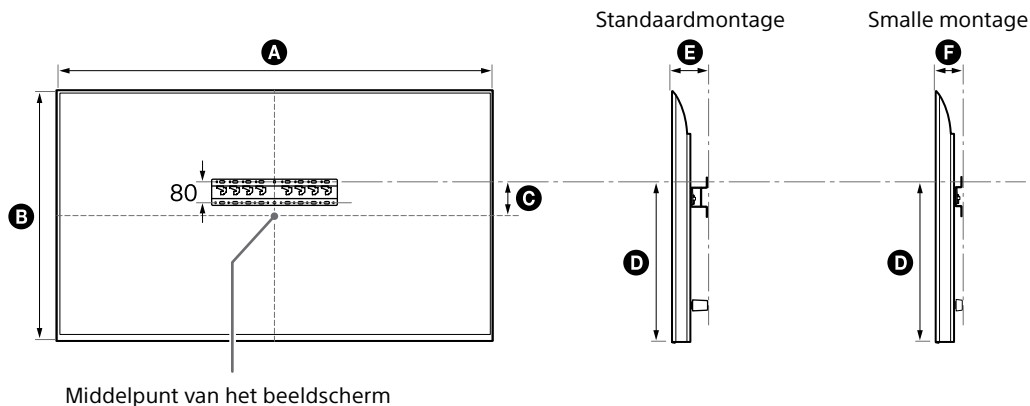
Gewicht (alleen basissteun): (ong.) [kg]
0,8

Wijzigingen aan het ontwerp en de technische gegevens zijn voorbehouden zonder kennisgeving.

Referenties

Afmeting om de wandmontagesteun aan de wand te monteren

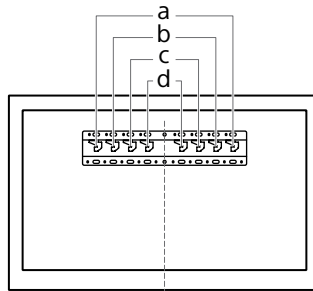
De waarden in de tabel kunnen licht afwijken afhankelijk van de installatie.



(mm)

Modelnaam	A	B	C	D	E	F
KD-85X81BL / 85X80L KM-85X80L	1901	1090	43	592	138	96
XR-85X90L XRM-85X90L	1891	1085	58	607	125	83
KD-75X85L KM-75X85L	1671	960	21	508	123	81
KD-75X81BL / 75X80L KM-75X80L	1675	962	12	493	137	95
XR-75X90L XRM-75X90L	1668	959	21	508	123	81
KD-65X85L / 65X85BL KM-65X85L	1447	832	85	505	123	81
KD-65X81BL / 65X80L KM-65X80L	1452	836	76	494	135	93
XR-65X90L XRM-65X90L	1445	831	85	505	123	81
KD-55X85L KM-55X85L	1228	709	146	505	122	81
KD-55X81BL / 55X80L KM-55X80L	1233	713	133	494	135	93
XR-55X90L XRM-55X90L	1225	707	146	505	122	81
KD-50X80L KM-50X80L	1119	649	63	392	133	91
KD-43X80L KM-43X80L	964	563	111	392	133	91

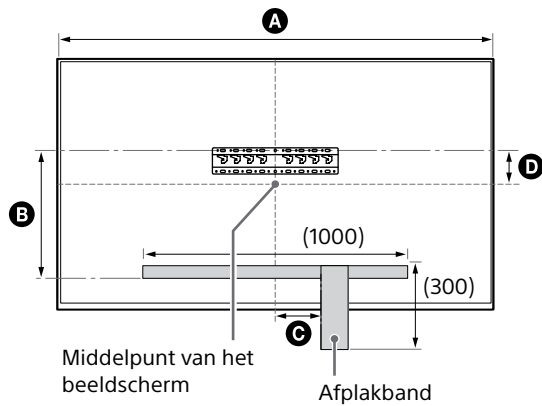
Locatie voor monteren van basissteunadapter ①



Modelnaam	Plaats van de haak	Modelnaam	Plaats van de haak
KD-85X81BL / 85X80L KM-85X80L XR-85X90L XRM-85X90L	a	KD-55X85L / 55X81BL / 55X80L KM-55X85L / 55X80L XR-55X90L XRM-55X90L	b
KD-75X85L / 75X81BL / 75X80L KM-75X85L / 75X80L XR-75X90L XRM-75X90L	b	KD-50X80L KM-50X80L	c
KD-65X85L / 65X85BL / 65X81BL / 65X80L KM-65X85L / 65X80L XR-65X90L XRM-65X90L	b	KD-43X80L KM-43X80L	c

NL

Wandmarkering voor de installatieplaats van tv of lcd-monitor



(mm)

Modelnaam	A	B	C	D
KD-85X81BL / 85X80L KM-85X80L	1901	472	200	43
XR-85X90L XRM-85X90L	1891	486	200	58
KD-75X85L KM-75X85L	1671	388	150	21
KD-75X81BL / 75X80L KM-75X80L	1675	373	150	12
XR-75X90L XRM-75X90L	1668	388	150	21

Informazioni sull'installazione per l'utilizzo della staffa di montaggio a parete Sony (SU-WL450)

Modelli supportati*:

* Nei nomi dei modelli, "x"/"xx" indica numeri e/o caratteri utilizzati per designare i singoli modelli.

KD-85X8xL / 85X8xBL / 75X8xL / 75X8xBL / 65X8xL / 65X8xBL / 55X8xL / 55X8xBL / 50X8xL / 43X8xL

KM-85X8xL / 75X8xL / 65X8xL / 55X8xL / 50X8xL / 43X8xL

XR-85X9xL / 75X9xL / 65X9xL / 55X9xL

XRM-85X9xL / 75X9xL / 65X9xL / 55X9xL

Ai Clienti

Per la protezione del prodotto e per motivi di sicurezza, Sony consiglia caldamente di far realizzare l'installazione del televisore o del monitor LCD da rivenditori Sony o distributori autorizzati. Non cercare di installarlo da soli.

Per i rivenditori e gli installatori Sony

Prestare particolare attenzione alle misure di sicurezza durante l'installazione, la manutenzione periodica e la revisione del presente prodotto.

Per l'installazione di questo prodotto è necessaria una certa esperienza, soprattutto per stabilire la resistenza del muro che dovrebbe sostenere il peso del televisore o del monitor LCD. Affidare il lavoro di collocazione di questo prodotto a parete a rivenditori Sony o a distributori autorizzati e prestare l'attenzione necessaria alla sicurezza durante l'installazione. Sony non si assume alcuna responsabilità in caso di danni o ferite causate da una gestione non adeguata o da un'installazione scorretta.

Per un'installazione sicura e corretta, seguire le istruzioni per l'uso della staffa di montaggio a parete, la guida di installazione del televisore o del monitor LCD e le istruzioni contenute nel presente manuale.

Staffa di montaggio a parete

Informazioni sulla sicurezza

Grazie per aver acquistato questo prodotto.

Ai Clienti

Installazione del televisore o del monitor LCD a parete



AVVERTENZA

INSTALLAZIONE PROFESSIONALE NECESSARIA

Il presente prodotto deve essere installato esclusivamente da un professionista qualificato, in grado di verificare se la parete è sufficientemente solida da sostenere il peso del televisore o del monitor LCD. Se non viene assicurata saldamente durante l'installazione, il televisore o il monitor LCD potrebbe cadere e causare lesioni gravi. Sony non potrà essere ritenuta responsabile per danni o lesioni causate da usi non appropriati del prodotto, da installazione non corretta o da installazioni di prodotti diversi da quello specificato. Quanto dichiarato non pregiudica (eventuali) diritti legali dell'acquirente.

Informazioni per i rivenditori Sony

Per l'installazione di questo prodotto è necessario disporre di sufficiente competenza. Leggere attentamente il presente Manuale d'uso per garantire la corretta esecuzione della procedura di installazione. Sony non potrà essere ritenuta responsabile per danni o lesioni causate da usi non appropriati del prodotto o da installazione non corretta. Consegnare il presente manuale al cliente dopo l'installazione.

Il presente Manuale d'uso spiega come utilizzare correttamente questo prodotto; inoltre, contiene precauzioni importanti da rispettare per prevenire incidenti. È responsabilità dell'utente leggere, comprendere e rispettare tutte le istruzioni contenute nel presente Manuale d'uso. La mancata osservanza di quanto contenuto nel presente manuale potrebbe causare lesioni personali gravi o danni agli oggetti e potrebbe rendere nulla la garanzia. Conservare questo manuale a portata di mano per poterlo consultare in futuro.

I prodotti Sony sono progettati per essere sicuri. Ciononostante, è possibile che, se i prodotti vengono utilizzati in modo errato, si verifichino lesioni gravi dovute a incendi, scosse elettriche, ribaltamento o caduta dei prodotti stessi. Onde evitare tali incidenti, accertarsi di osservare le appropriate precauzioni per la sicurezza.

ATTENZIONE

Prodotti specificati

Questa staffa di montaggio a parete è progettata per essere utilizzata con i televisori o i monitor LCD specificati. Per quanto riguarda i televisori o i monitor LCD, consultare la relativa Guida di riferimento per verificare se la presente staffa di montaggio a parete può essere utilizzata.

Ai Clienti

AVVERTENZA

Se le precauzioni riportate di seguito non vengono rispettate, è possibile procurarsi lesioni gravi o mortali a causa di incendi, scosse elettriche o caduta del prodotto.

Assicurarsi che l'installazione venga eseguita da personale autorizzato e tenere lontani i bambini durante l'installazione.

Se la staffa di montaggio a parete o il televisore o il monitor LCD non vengono installati correttamente, possono verificarsi i seguenti incidenti. Accertarsi che l'installazione sia effettuata da personale autorizzato.

- Il televisore o il monitor LCD potrebbe cadere e causare lesioni gravi, per esempio contusioni o fratture.
- Se la parete su cui viene installata la staffa di montaggio a parete è instabile, irregolare oppure non è perpendicolare al pavimento, l'unità potrebbe cadere causando lesioni o danni a oggetti. La parete deve essere in grado di sostenere un peso almeno quattro volte superiore a quello del televisore o del monitor LCD. (Consultare la Guida di riferimento del televisore o del monitor LCD per verificarne il peso.)
- Se l'installazione della staffa di montaggio a parete non è sufficientemente salda sulla parete, l'unità potrebbe cadere e causare lesioni o danni a oggetti.

Assicurarsi che lo spostamento o lo smontaggio del televisore o del monitor LCD vengano eseguiti da personale autorizzato.

Qualora lo spostamento o lo smontaggio vengano eseguiti da personale non autorizzato, il televisore o il monitor LCD potrebbe cadere e causare lesioni o danni a oggetti. Per trasportare un televisore o un monitor LCD di grandi dimensioni sono necessarie due o più persone (tre o più persone per televisori o monitor LCD da 189,3 cm (75 pollici) e più) (eccetto che per l'Egitto).

Per trasportare un televisore o un monitor LCD di grandi dimensioni sono necessarie due o più persone (tre o più persone per televisori o monitor LCD da 75 pollici (189,3 cm) e più) (solo per l'Egitto).

Dopo aver completato il montaggio del televisore o del monitor LCD, non rimuovere viti o altri elementi simili.

In caso contrario, il televisore o il monitor LCD potrebbe cadere e provocare lesioni o danni a oggetti.

Non effettuare modifiche sulla staffa di montaggio a parete.

In caso contrario, la staffa di montaggio a parete potrebbe cadere e provocare lesioni o danni a oggetti.

Non montare prodotti diversi da quelli specificati.

Questa staffa di montaggio a parete è progettata per essere utilizzata esclusivamente con il prodotto specificato. Se viene montato un prodotto diverso da quello specificato, questo potrebbe cadere o rompersi causando lesioni o danni a oggetti.

Non collocare altri oggetti diversi dal televisore o dal monitor LCD sulla staffa di montaggio a parete.

Non scuotere il televisore o il monitor LCD verso destra/sinistra o verso l'alto/il basso.

In caso contrario, il televisore o il monitor LCD potrebbe cadere e provocare lesioni o danni a oggetti.

Non appoggiarsi né aggrapparsi al televisore o al monitor LCD.

Non appoggiarsi né aggrapparsi al televisore o al monitor LCD perché potrebbe cadere e causare lesioni gravi.

ATTENZIONE

In caso di inosservanza delle seguenti precauzioni, potrebbero verificarsi lesioni o danni a oggetti.

- Accertarsi di riporre le parti non utilizzate in un luogo sicuro per riutilizzarle eventualmente in futuro. Tenere queste parti fuori dalla portata dei bambini.

Non esercitare una pressione eccessiva sul prodotto durante le operazioni di pulizia o manutenzione.

Non applicare una forza eccessiva sulla parte superiore del televisore o del monitor LCD. In caso contrario, il televisore o il monitor LCD potrebbe cadere e provocare lesioni o danni a oggetti.

Precauzioni

- Se si utilizza il televisore o il monitor LCD installato sulla staffa di montaggio a parete per un tempo prolungato, è possibile che la parete dietro o sopra il televisore o il monitor LCD si scolorisca o che la carta da parati si stacchi, a seconda del materiale di cui è costituita la parete.
- Se la staffa di montaggio a parete viene rimossa dopo essere stata installata sulla parete, i fori delle viti rimangono.
- Non utilizzare la staffa di montaggio a parete in luoghi soggetti a vibrazioni meccaniche.

Installazione della staffa di montaggio a parete

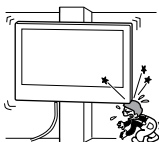
Informazioni per i rivenditori Sony

AVVERTENZA

Le seguenti istruzioni si rivolgono esclusivamente ai rivenditori Sony. Accertarsi di leggere le precauzioni per la sicurezza descritte in precedenza e prestare particolare attenzione alla sicurezza durante le operazioni di installazione, manutenzione e controllo del prodotto.

Non installare la staffa di montaggio a parete su un muro dove gli angoli o i lati del televisore o del monitor LCD sporgono dalla superficie del muro stesso.

Non installare la staffa di montaggio a parete su un pilastro se gli angoli o i lati del televisore o del monitor LCD sporgono dalla superficie del pilastro stesso. Se una persona o un oggetto dovessero urtare la parte sporgente del televisore o del monitor LCD, potrebbero verificarsi lesioni o danni a oggetti.

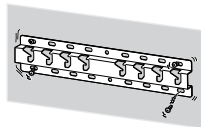


Non installare il televisore o il monitor LCD sopra o sotto un condizionatore d'aria.

Se il televisore o il monitor LCD rimane esposto a perdite d'acqua o correnti d'aria provenienti da un condizionatore per lungo tempo, potrebbero verificarsi incendi, scosse elettriche o malfunzionamenti del televisore o del monitor LCD.

Accertarsi di installare saldamente la staffa di montaggio a parete rispettando le istruzioni contenute in questo Manuale d'uso.

Se una o più viti dovessero apparire allentate o dovessero cadere, la staffa di montaggio a parete potrebbe cadere a sua volta, causando lesioni a persone o danni a oggetti. Assicurarsi di utilizzare le viti appropriate al materiale di cui è costituita la parete e installare il prodotto saldamente utilizzando almeno quattro viti con diametro di 8 mm (o equivalenti).



Accertarsi di utilizzare correttamente le viti e gli altri materiali per l'installazione in dotazione rispettando le istruzioni contenute in questo Manuale d'uso. Se si utilizzano altri materiali, il televisore o il monitor LCD potrebbe cadere e causare lesioni a persone o danni al televisore o al monitor LCD stesso.

Accertarsi di montare correttamente la staffa rispettando la procedura spiegata nel presente Manuale d'uso.

Se una o più viti dovessero apparire allentate o dovessero cadere, il televisore o il monitor LCD potrebbe cadere e causare lesioni a persone o danni al televisore o al monitor LCD stesso.

Accertarsi di serrare saldamente le viti nella posizione indicata.

In caso contrario, il televisore o il monitor LCD potrebbe cadere e causare lesioni a persone o danni al televisore o al monitor LCD stesso.

Evitare che il televisore o il monitor LCD subisca urti durante l'installazione.

Se il televisore o il monitor LCD subisce urti, potrebbe cadere o rompersi. Ciò potrebbe causare lesioni.

Accertarsi di installare il televisore o il monitor LCD su una parete perpendicolare e piana.

In caso contrario, il televisore o il monitor LCD potrebbe cadere e provocare lesioni.

Dopo aver completato correttamente l'installazione del televisore o del monitor LCD, fissare correttamente i cavi.

Qualora persone o oggetti dovessero rimanere impigliati nei cavi, ciò potrebbe causare lesioni o danni al televisore o al monitor LCD.

Verificare che il cavo di alimentazione CA o il cavo di collegamento non rimangano incastrati.

Se il cavo di alimentazione CA o il cavo di collegamento rimangono incastrati tra il prodotto e la parete oppure vengono piegati o attorcigliati forzatamente, è possibile che i conduttori interni restino scoperti, provocando cortocircuiti o rotture dei cavi stessi. Ciò potrebbe causare incendi o scosse elettriche.



Le viti necessarie per l'installazione della staffa di montaggio a parete non sono fornite in dotazione.

Per montare la staffa di montaggio a parete, utilizzare le viti appropriate per il materiale di cui è composta la parete.

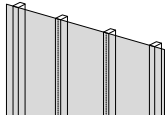
Operazioni preliminari

- Le illustrazioni del televisore o monitor LCD mostrate in questo manuale sono esempi utilizzati per spiegare in modo chiaro le operazioni. Per questo motivo, le illustrazioni potrebbero apparire diverse da quelle del televisore o del monitor LCD effettivi.

Di cosa è fatta la parete?

Innanzitutto, controllare il tipo di parete su cui sarà installato il televisore o il monitor LCD.

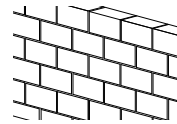
Parete in cartongesso con montanti



Precauzioni

- Spessore massimo del cartongesso: 16 mm.
- Assicurarsi che la dimensione dei montanti di legno interni sia almeno 51 mm × 102 mm per comune o 38 mm × 89 mm per nominale.

Parete in cemento pieno o mattoni di cemento



Precauzioni

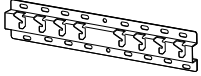







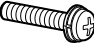
- Montare la staffa di montaggio a parete direttamente sulla parete in cemento pieno.
- Assicurarsi che lo spessore della parete di cemento pieno sia di almeno 203 mm.
- Assicurarsi che la dimensione di ciascun mattone di cemento sia di almeno 203 mm × 203 mm × 406 mm.

IT






Controllo degli elementi

In dotazione con SU-WL450


- Verificare che tutti gli elementi necessari siano inclusi.

<p>Ⓐ Base (20) (x1)</p> 	<p>Ⓑ Gancio (x2)</p> 	<p>Ⓒ Vite (+PSW 6 x 20) (x4)</p> 	<p>Ⓔ Distanziale (20 mm) (x2)</p> 
<p>Ⓕ Cinghia (x1)</p> 	<p>Ⓘ Adattatore della base (x2)</p> 	<p>Ⓙ Vite (+PSW 4 x 10) (x8)</p> 	<p>Ⓚ Distanziale (60 mm) (x2)</p> 
<p>Ⓛ Vite (+PSW 6 x 50) (x2)</p> 			

- Queste parti non possono essere usate per il proprio modello.

<p>Ⓓ Vite (+PSW 4 x 20) con boccola (x2)</p> 	<p>Ⓖ Boccola (20) (M4) (x2)</p> 	<p>Ⓗ Vite (+PSW 4 x 20) (x2)</p> 	<p>Ⓜ Boccola (M4) (x2)</p> 
<p>Ⓝ Vite (+PSW 4 x 50) (x2)</p> 			



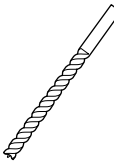
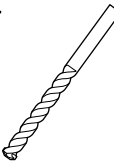
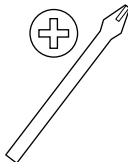
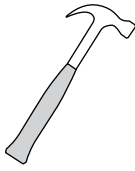
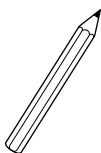
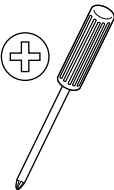
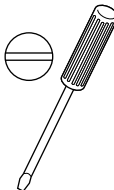
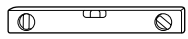




In dotazione con il televisore o il monitor LCD

<p>Accessorio di montaggio a parete VS (x4)*</p> 

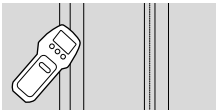
- * Solo per alcune Regioni/Paesi/Modelli.

Preparazione per l'installazione

- Tenere la Guida di riferimento e la guida di installazione del televisore o del monitor LCD a portata di mano prima dell'installazione.
- Controllare la posizione di installazione del televisore o del monitor LCD.
- Preparare almeno quattro viti con diametro di 8 mm e una vite con diametro di 5 mm o equivalenti (non in dotazione). Scegliere viti adatte al materiale di cui è composta la parete.
- Preparare i seguenti utensili:

*1			 5,5 mm	 10 mm	
*2			 1,5 N·m {15 kgf·cm}	*3	 1,5 N·m {15 kgf·cm}
	*2	 (x4)	 (x4) 8 mm x 60 mm	 5 mm	
*4					

*1 Solo per pareti in cartongesso con montanti



*2 Solo per pareti in cemento pieno o mattoni di cemento

*3 a seconda dei modelli

*4 Solo per televisore o monitor LCD da 189,3 cm (75 pollici) e oltre (eccetto che per l'Egitto)
Solo per televisore o monitor LCD da 75 pollici (189,3 cm) e oltre (solo per l'Egitto)

Installazione della staffa di montaggio a parete alla parete

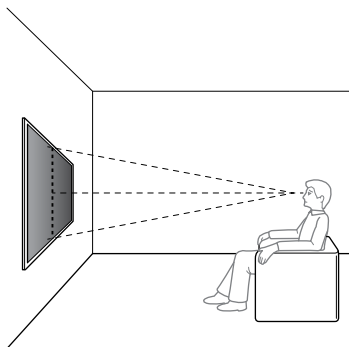
1 Scegliere la posizione di installazione.

Assicurarsi che la parete abbia abbastanza spazio per il televisore o il monitor LCD e sia in grado di sostenere un peso pari almeno a quattro volte quello del televisore o del monitor LCD.

Consultare la Guida di riferimento del televisore o del monitor LCD per conoscere il suo peso.

Nota

- Quando il televisore o il monitor LCD è installato alla parete, la parte superiore del televisore o del monitor LCD sporge leggermente in avanti.
- Raccomandiamo di verificare che il televisore o il monitor LCD sia visibile correttamente dalla posizione prescelta.



2 Selezionare lo stile di montaggio a parete come mostrato di seguito.

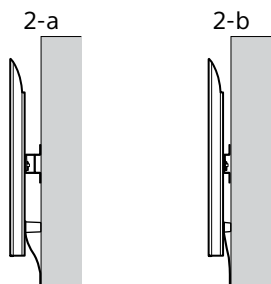
2-a: Montaggio standard

2-b: Montaggio sottile

- Fare riferimento a "Misura per l'installazione della staffa di montaggio a parete" a pagina 18.

AVVERTENZA

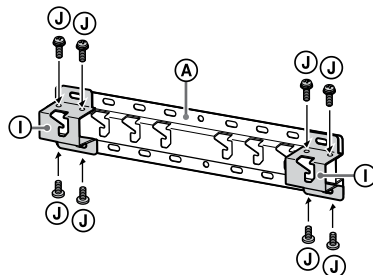
- Con il montaggio 2-b, l'accesso al terminale posteriore è limitato.



3 Se è selezionato il montaggio standard (2-a):

Fissare l'adattatore della base ① utilizzando la vite (+PSW 4 × 10) ② sulla base (20) ③.

- Fare riferimento a "Posizione di montaggio dell'adattatore della base ①" a pagina 19.



Es., montaggio adattatore della base ① nella posizione "a"

Se è selezionato il montaggio sottile (2-b):

Saltare questo passaggio.

4 Decidere le posizioni delle viti per l'installazione della base (20) ③.

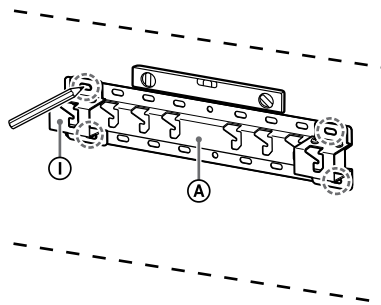
- Fare riferimento a "Caratteristiche tecniche" a pagina 17.

AVVERTENZA

- Verificare la robustezza della parete su cui sarà montato il televisore o il monitor LCD. Se necessario, rinforzare la parete.
- La parete su cui verrà montato il televisore o il monitor LCD deve essere in grado di sostenere un peso almeno **quattro volte superiore** a quello del televisore o del monitor LCD. (Consultare la Guida di riferimento del televisore o del monitor LCD per verificarne il peso.)

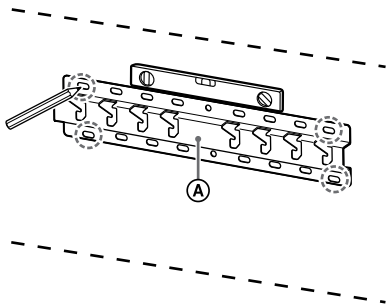
Se è selezionato il montaggio standard (2-a):

Utilizzare le posizioni dei fori dell'adattatore della base ①.



Es., marcatura nella posizione "a" per fissare la base (20) ③

Se è selezionato il montaggio sottile (2-b):

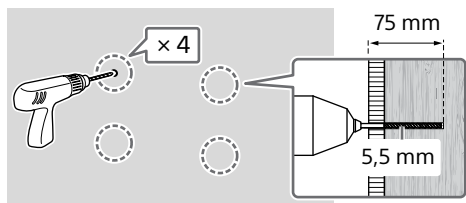


Es., marcatura nella posizione "a" per fissare la base (20) (A)

5 Fare i fori basandosi sui contrassegni.

Assicurarsi che la posizione sulla parete dove eseguire i fori sia in grado di sostenere un peso pari almeno a quattro volte quello del televisore o del monitor LCD.

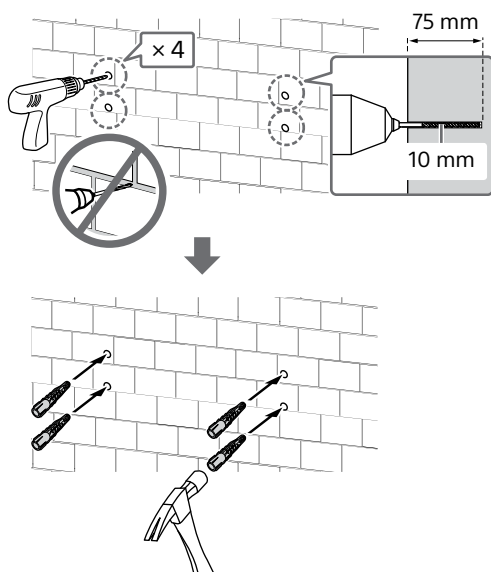
Foratura su pareti in cartongesso con montanti:



Nota

- I fori devono avere una profondità di 75 mm; utilizzare un trapano con punta con diametro di 5,5 mm.

Foratura su pareti in cemento pieno o mattoni di cemento:



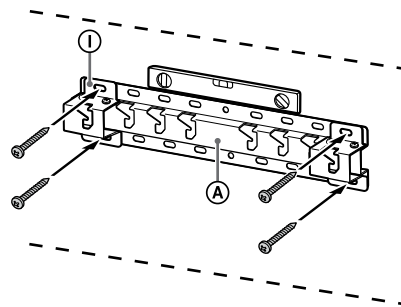
6 Installare la base (20) (A) sulla parete utilizzando viti adatte (non in dotazione).

Nota

- Utilizzare almeno quattro viti con diametro di 8 mm o equivalenti (non in dotazione).
- Utilizzare una livella per verificare che la base (20) (A) sia a livello.

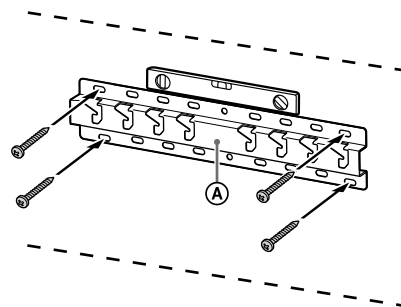
Se è selezionato il montaggio standard (2-a):

Fissare quattro viti nei fori dell'adattatore della base (I) con base (20) (A).



Es., montaggio della base (20) (A) nella posizione "a"

Se è selezionato il montaggio sottile (2-b):



Es., montaggio della base (20) (A) nella posizione "a"

7 Solo KD-85X8xL / 85X8xBL / 75X8xL / 75X8xBL, KM-85X8xL / 75X8xL, XR-85X9xL / 75X9xL, XRM-85X9xL / 75X9xL

Contrassegnare la posizione di installazione sulla parete.

Utilizzare nastro adesivo, ecc. (non in dotazione) per contrassegnare la posizione del televisore o del monitor LCD accanto alla base (20) (A) o all'adattatore della base (I).

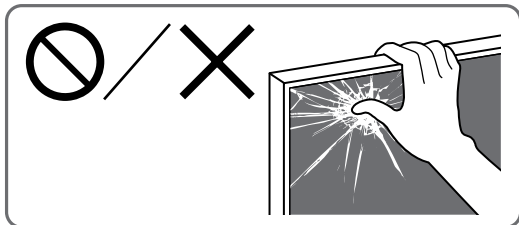
- Fare riferimento a "Marcatura a parete per la posizione di installazione del televisore o del monitor LCD" a pagina 20.

Tranne KD-85X8xL / 85X8xBL / 75X8xL / 75X8xBL, KM-85X8xL / 75X8xL, XR-85X9xL / 75X9xL, XRM-85X9xL / 75X9xL
Saltare questo passaggio.

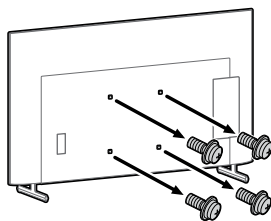
Preparazione per l'installazione del televisore o del monitor LCD

Nota

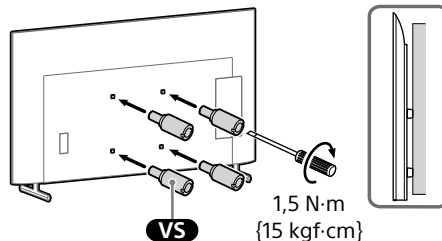
- Assicurarsi di conservare le viti rimosse e le parti non utilizzate in un luogo sicuro, lontano dalla portata dei bambini.



- 1 Fissare il supporto da tavolo per collocare il televisore o il monitor LCD in posizione verticale.
 - Fare riferimento alla Guida di installazione del televisore o del monitor LCD.
- 2 Rimuovere le viti dalla parte posteriore del televisore o del monitor LCD.



- 3 Collegare l'accessorio di montaggio a parete **VS** (in dotazione con il televisore o il monitor LCD) al retro del televisore o del monitor LCD (per renderlo parallelo alla parete).



Nota

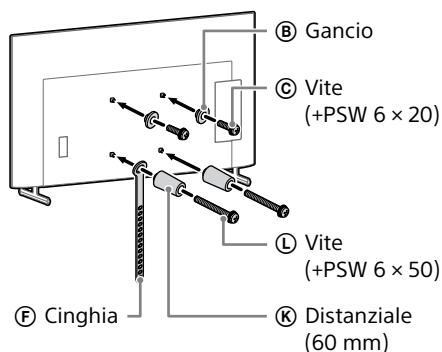
- Assicurarsi di fissare l'accessorio di montaggio a parete **VS** quando lo si collega al televisore o al monitor LCD. Utilizzare un cacciavite a testa piatta per l'installazione dell'accessorio di montaggio a parete **VS**. L'utilizzo di un altro strumento potrebbe causare un eccessivo serraggio dell'accessorio di montaggio a parete **VS**, con conseguenti danni al televisore o al monitor LCD.

- 4 Fissare gli elementi di fissaggio per la staffa di montaggio a parete. Controllare gli elementi di fissaggio facendo riferimento a "In dotazione con SU-WL450" in "Controllo degli elementi" a pagina 6.

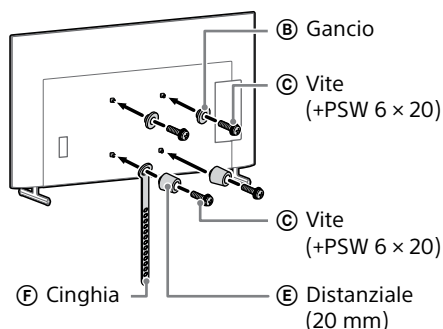
Nota

- Fissare saldamente gli elementi di fissaggio usando le viti.
- Se si utilizza un cacciavite elettrico, la coppia deve essere pari a circa 1,5 N·m {15 kgf·cm}.

Se è selezionato il montaggio standard (2-a):



Se è selezionato il montaggio sottile (2-b):



5 Collegare i(l) cavi(o) necessari(o) al televisore o al monitor LCD.

Accertarsi di collegare i cavi prima di installare il televisore o il monitor LCD sulla parete. Non sarà più possibile collegare i cavi dopo l'installazione del televisore o del monitor LCD.

Nota

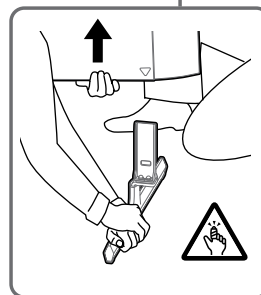
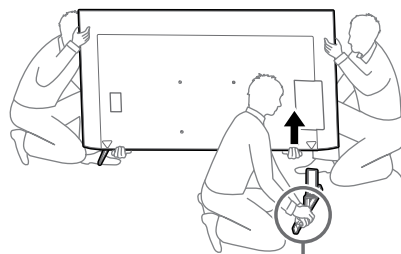
- Far eseguire la posa dei cavi nella parete a un installatore autorizzato.
- Raggruppare i cavi di collegamento per evitare di calpestarli prima del montaggio a parete.

6 Rimuovere il supporto da tavolo dal televisore o dal monitor LCD.

L'illustrazione seguente è un esempio dell'operazione.

Tranne KD-75X85L / 65X85L / 65X85BL / 55X85L, KM-75X85L / 65X85L / 55X85L, XR-85X90L / 75X90L / 65X90L / 55X90L, XRM-85X90L / 75X90L / 65X90L / 55X90L

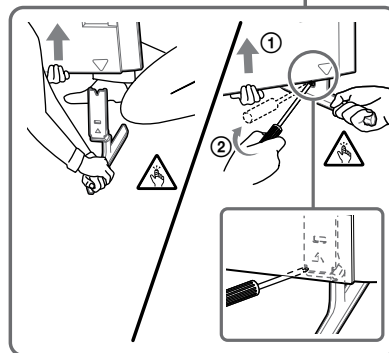
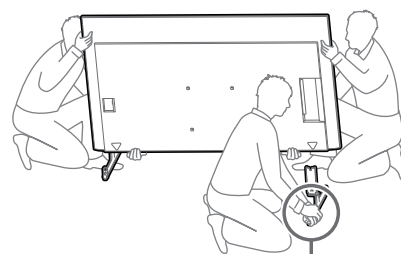
- Rimuovere un lato del supporto da tavolo alla volta. Tenere saldamente il supporto da tavolo con entrambe le mani mentre le altre persone sollevano il televisore o il monitor LCD.



- Ripetere i passaggi precedenti e rimuovere l'altro lato del supporto da tavolo.

Solo KD-75X85L / 65X85L / 65X85BL / 55X85L, KM-75X85L / 65X85L / 55X85L

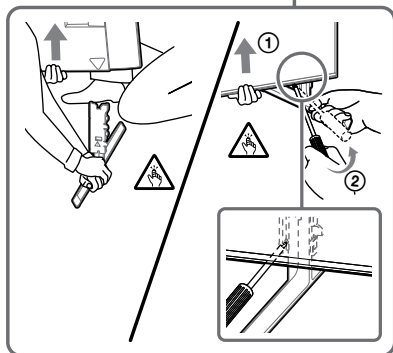
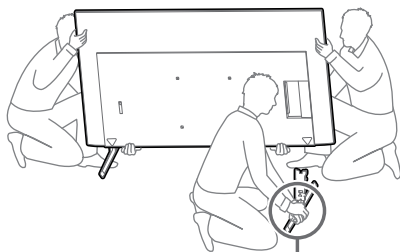
- Rimuovere un lato del supporto da tavolo alla volta. Tenere saldamente il supporto da tavolo con entrambe le mani mentre le altre persone sollevano il televisore o il monitor LCD.



- Ripetere i passaggi precedenti e rimuovere l'altro lato del supporto da tavolo.

Solo XR-85X90L / 75X90L / 65X90L /
55X90L, XRM-85X90L / 75X90L / 65X90L /
55X90L

- Rimuovere un lato del supporto da tavolo alla volta. Tenere saldamente il supporto da tavolo con entrambe le mani mentre le altre persone sollevano il televisore o il monitor LCD.



- Ripetere i passaggi precedenti e rimuovere l'altro lato del supporto da tavolo.

Nota

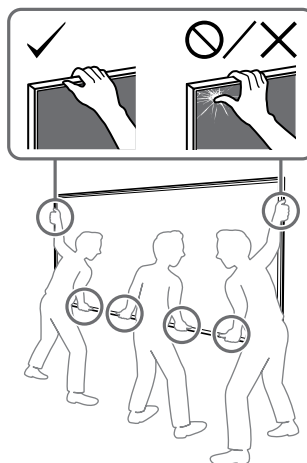
- Per rimuovere il supporto da tavolo sono necessarie tre o più persone.
- Prestare attenzione a non esercitare eccessiva forza durante la rimozione del supporto da tavolo dal televisore o dal monitor LCD poiché il televisore o il monitor LCD potrebbe cadere e causare lesioni o danni materiali al televisore o al monitor LCD.
- Prestare attenzione durante la manipolazione del supporto da tavolo per evitare danni al televisore o al monitor LCD.
- Fare attenzione quando si solleva il televisore o il monitor LCD mentre si stacca il supporto da tavolo, questo potrebbe rovesciarsi e causare lesioni personali.
- Fare attenzione quando si rimuove il supporto da tavolo dal televisore o dal monitor LCD per evitare che cada e danneggi la superficie su cui si trova il televisore o il monitor LCD.

Installazione del televisore o del monitor LCD a parete

Solo KD-85X8xL / 85X8xBL /
75X8xL / 75X8xBL, KM-85X8xL /
75X8xL, XR-85X9xL / 75X9xL,
XRM-85X9xL / 75X9xL

AVVERTENZA

- Per trasportare un televisore o un monitor LCD di grandi dimensioni sono necessarie due o più persone (tre o più persone per televisori o monitor LCD da 189,3 cm (75 pollici) e più) (eccetto che per l'Egitto). Per trasportare un televisore o un monitor LCD di grandi dimensioni sono necessarie due o più persone (tre o più persone per televisori o monitor LCD da 75 pollici (189,3 cm) e più) (solo per l'Egitto).



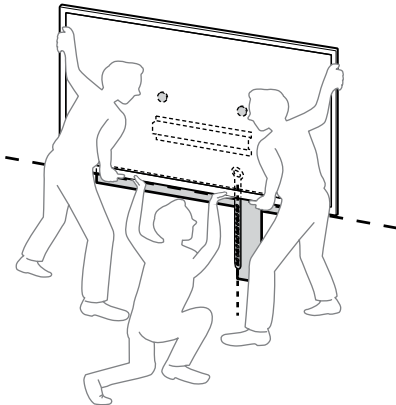
1 Sollevare il televisore o il monitor LCD.

- Per la posizione dei ganci (B) da cui appendere la base (20) (A) o l'adattatore della base (1), fare riferimento a "Posizione di montaggio dell'adattatore della base (1)" a pagina 19.
- Assicurarsi che la parte posteriore del televisore o del monitor LCD sia a contatto con la base (20) (A) o l'adattatore della base (1) quando si tiene il televisore o il monitor LCD.

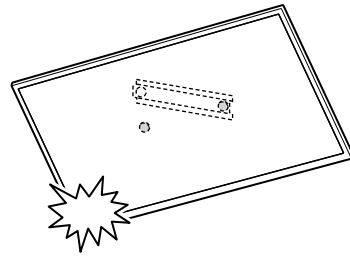
Nota

- Tenere saldamente il televisore o il monitor LCD con entrambe le mani e assicurarsi che la cinghia (E) e la parte inferiore del televisore o del monitor LCD siano allineati al nastro adesivo.

- Trasportare il televisore o il monitor LCD con tre persone e la persona che si trova davanti al televisore o al monitor LCD conduce gli altri a regolare la posizione.

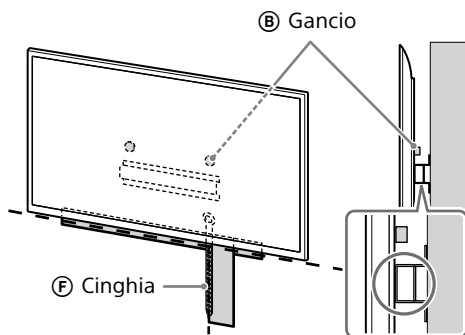


- Rilasciare entrambe le mani lentamente per assicurarsi che il televisore o il monitor LCD non cada.



- Dopo aver installato il televisore o il monitor LCD a parete, rimuovere il nastro adesivo, ecc. dalla parete.

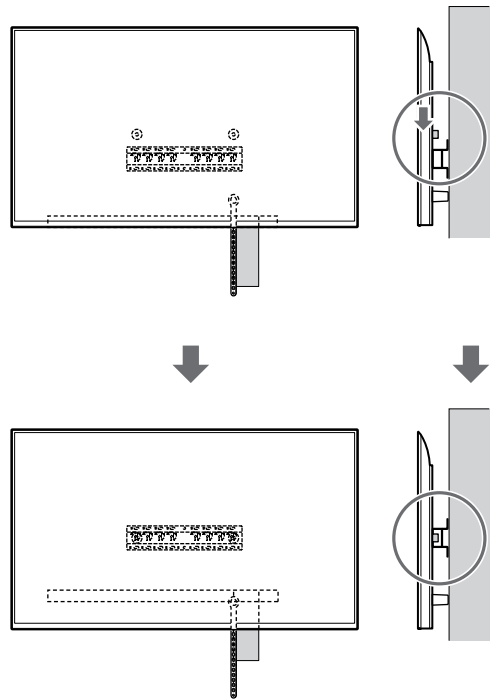
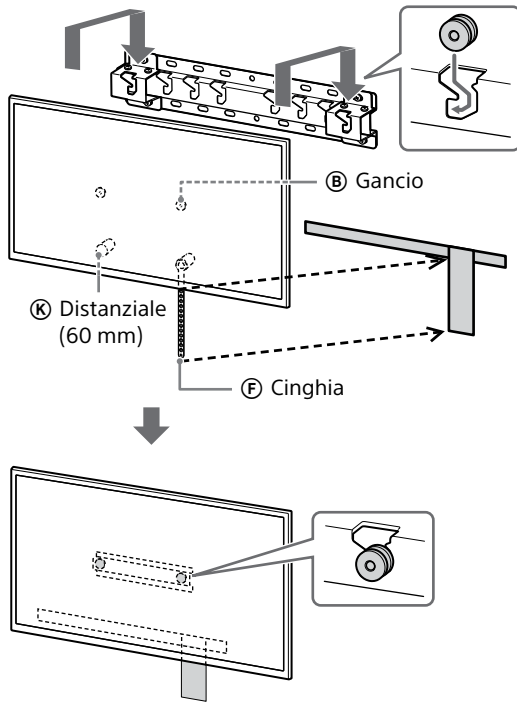
- Prestare molta attenzione quando si installa il televisore o il monitor LCD a parete, in particolare per la persona che sostiene il televisore o il monitor LCD dal basso. Il televisore o il monitor LCD potrebbe cadere causando gravi lesioni personali o addirittura la morte.



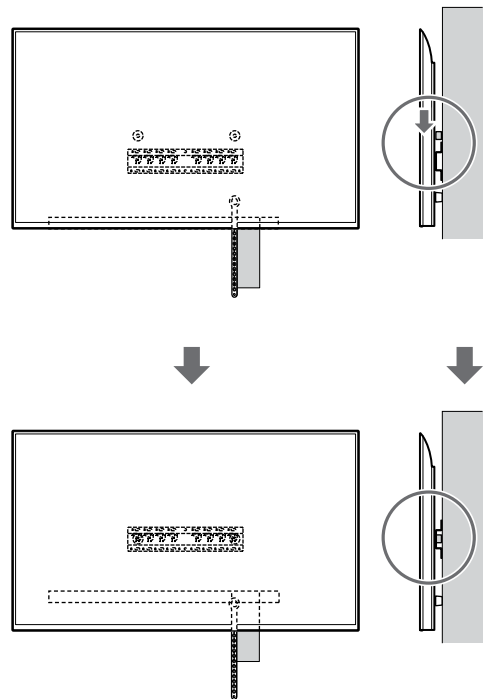
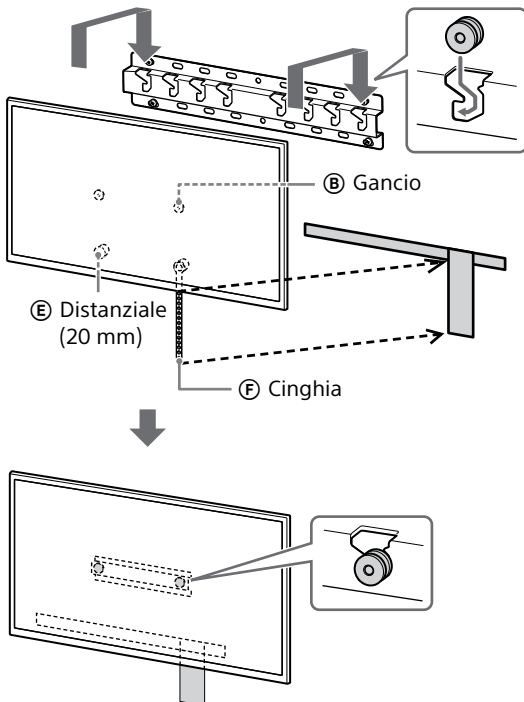
2 Installare il televisore o il monitor LCD sulla base (20) ① o sull'adattatore della base ②.

- Far scorrere delicatamente verso il basso il televisore o il monitor LCD e agganciare i ganci ② posizionati sul retro del televisore o del monitor LCD alla base (20) ① o all'adattatore della base ②, accertandosi di controllare la forma dei fori.
- Dopo l'installazione del televisore o del monitor LCD alla parete, verificare che i ganci ② siano fissati saldamente alla base (20) ① o all'adattatore della base ②.

Se è selezionato il montaggio standard (2-a):

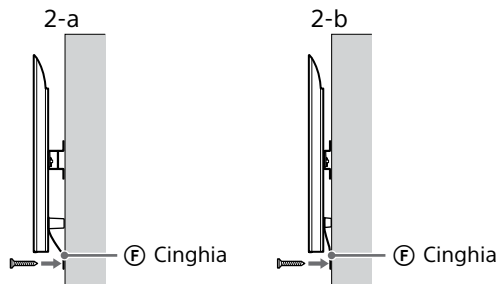


Se è selezionato il montaggio sottile (2-b):



3 Evitare che il fondo del televisore o del monitor LCD si sposti.

- Sollevare la cinghia (F) e fissarla saldamente alla parete.



- Utilizzare una vite con diametro di 5 mm o equivalente (non in dotazione).

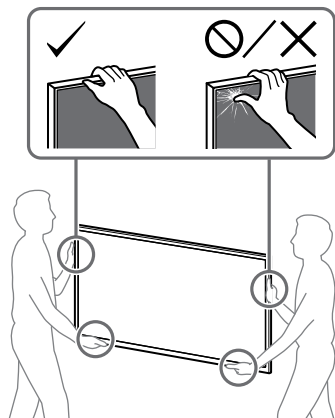
Nota

- Tirare delicatamente il fondo del televisore o del monitor LCD verso di sé per verificare che non si possa muovere in avanti. Se c'è qualche movimento, significa che non è stato fissato correttamente ed è necessario fissare nuovamente la cinghia (F) in modo saldo.

Tranne KD-85X8xL / 85X8xBL / 75X8xL / 75X8xBL, KM-85X8xL / 75X8xL, XR-85X9xL / 75X9xL, XRM-85X9xL / 75X9xL

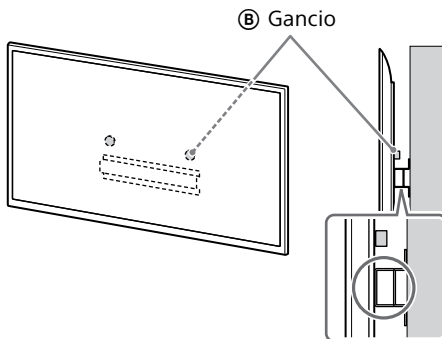
AVVERTENZA

- Per trasportare un televisore o un monitor LCD di grandi dimensioni sono necessarie due o più persone (tre o più persone per televisori o monitor LCD da 189,3 cm (75 pollici) e più) (eccetto che per l'Egitto). Per trasportare un televisore o un monitor LCD di grandi dimensioni sono necessarie due o più persone (tre o più persone per televisori o monitor LCD da 75 pollici (189,3 cm) e più) (solo per l'Egitto).



1 Sollevare il televisore o il monitor LCD.

- Per la posizione dei ganci (B) da cui appendere la base (20) (A) o l'adattatore della base (1), fare riferimento a "Posizione di montaggio dell'adattatore della base (1)" a pagina 19.
- Assicurarsi che la parte posteriore del televisore o del monitor LCD sia a contatto con la base (20) (A) o l'adattatore della base (1) quando si tiene il televisore o il monitor LCD.

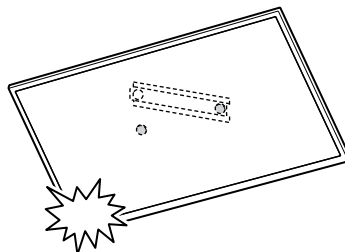


Nota

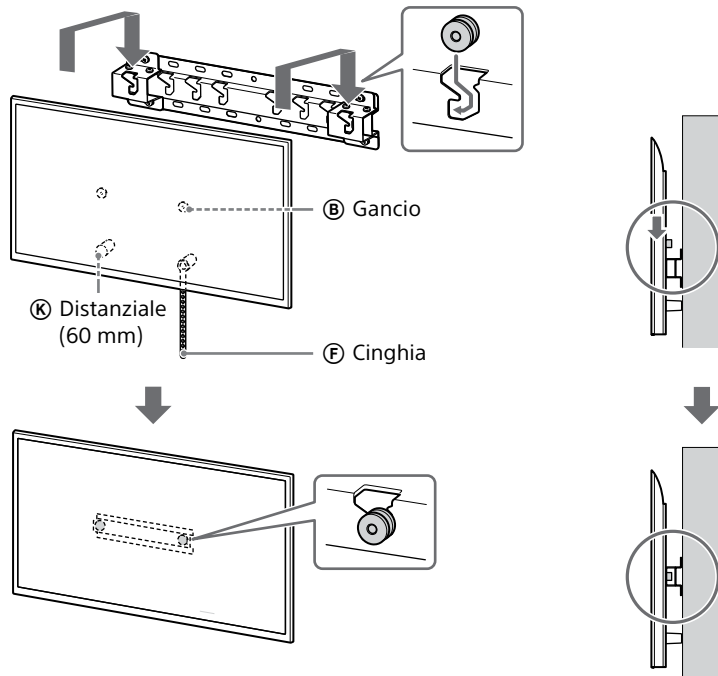
- Tenere saldamente il televisore o il monitor LCD con entrambe le mani.

2 Installare il televisore o il monitor LCD sulla base (20) (A) o sull'adattatore della base (1).

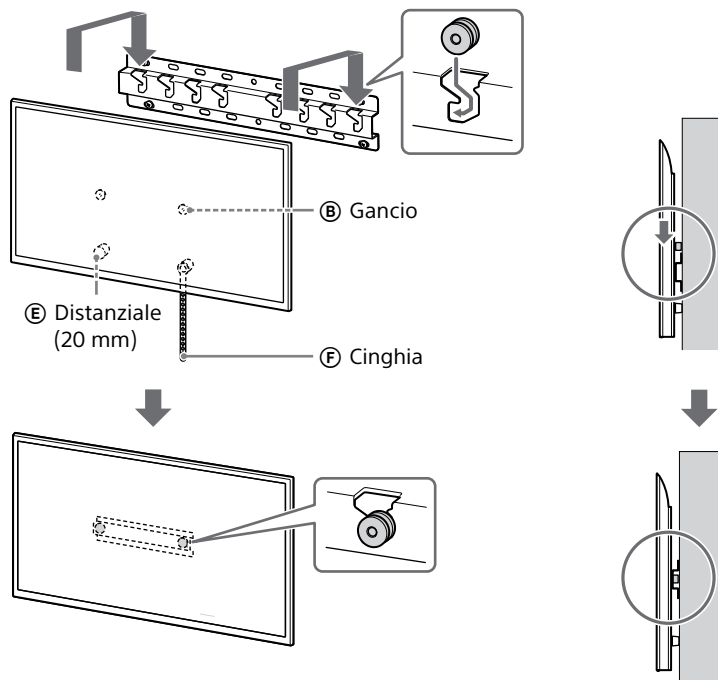
- Far scorrere delicatamente verso il basso il televisore o il monitor LCD e agganciare i ganci (B) posizionati sul retro del televisore o del monitor LCD alla base (20) (A) o all'adattatore della base (1), accertandosi di controllare la forma dei fori.
- Dopo l'installazione del televisore o del monitor LCD alla parete, verificare che i ganci (B) siano fissati saldamente alla base (20) (A) o all'adattatore della base (1).
- Rilasciare entrambe le mani lentamente per assicurarsi che il televisore o il monitor LCD non cada.



Se è selezionato il montaggio standard (2-a):

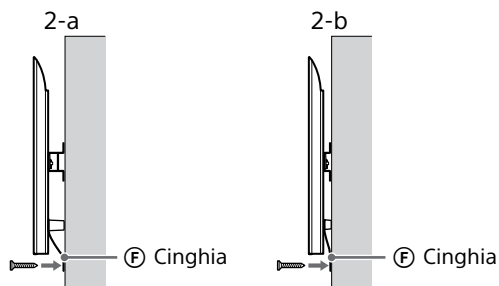


Se è selezionato il montaggio sottile (2-b):



3 Evitare che il fondo del televisore o del monitor LCD si sposti.

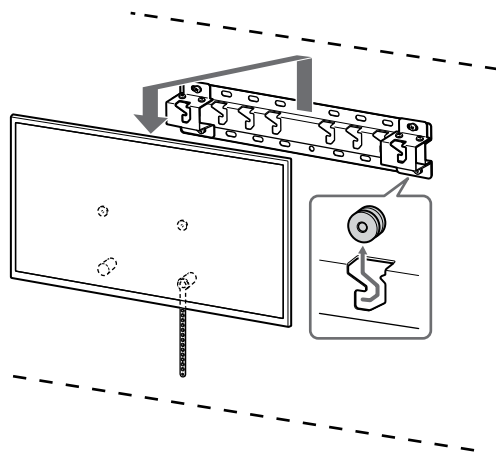
- Sollevare la cinghia (F) e fissarla saldamente alla parete.



- Utilizzare una vite con diametro di 5 mm o equivalente (non in dotazione).

Nota

- Tirare delicatamente il fondo del televisore o del monitor LCD verso di sé per verificare che non si possa muovere in avanti. Se c'è qualche movimento, significa che non è stato fissato correttamente ed è necessario fissare nuovamente la cinghia (F) in modo saldo.



AVVERTENZA

- Per trasportare un televisore o un monitor LCD di grandi dimensioni sono necessarie due o più persone (tre o più persone per televisori o monitor LCD da 189,3 cm (75 pollici) e più) (eccetto che per l'Egitto). Per trasportare un televisore o un monitor LCD di grandi dimensioni sono necessarie due o più persone (tre o più persone per televisori o monitor LCD da 75 pollici (189,3 cm) e più) (solo per l'Egitto).

Controllo finale dopo l'installazione

Verificare quanto segue.

- I ganci (B) sono fissati saldamente alla base (20) (A) o all'adattatore della base (1).
- I cavi non sono attorcigliati o incastrati.
- La cinghia (F) è fissata saldamente e non è allentata.

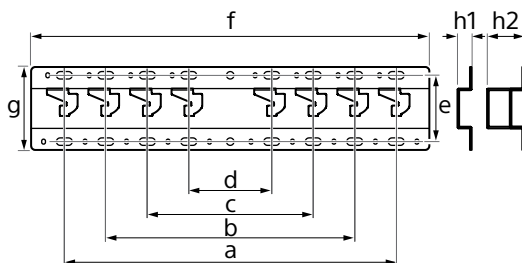
AVVERTENZA

- Un posizionamento non corretto del cavo di alimentazione CA ecc. può causare corto circuiti e, di conseguenza, incendi o scosse elettriche. Una volta completata l'installazione, accertarsi di verificarne la sicurezza.

Altre informazioni

Per rimuovere il televisore o il monitor LCD, attenersi alla procedura di installazione descritta in precedenza, ma in ordine inverso.

Caratteristiche tecniche



Dimensioni: (Circa) [mm]

- a : 400
- b : 300
- c : 200
- d : 100
- e : 80
- f : 480
- g : 100

- h1 : 20 (per montaggio sottile, 2-b)
- h2 : 60 (per montaggio standard, 2-a)

Peso (solo base): (Circa) [kg]

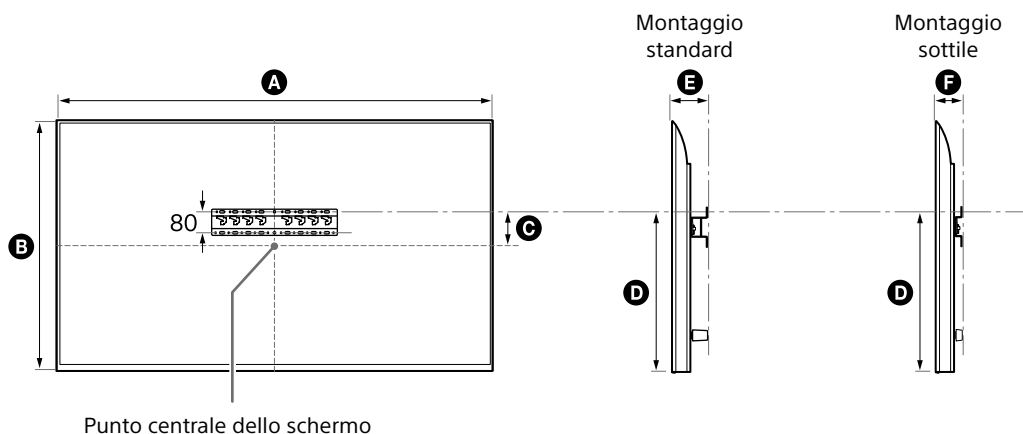
0,8

Design e specifiche tecniche sono soggette a modifiche senza preavviso.

Riferimenti

Misura per l'installazione della staffa di montaggio a parete

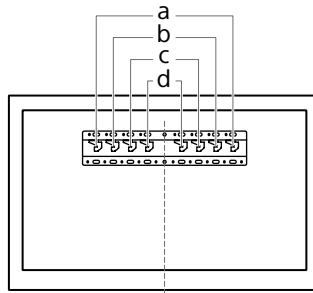
I numeri nella tabella potrebbero variare leggermente a seconda dell'installazione.



(mm)

Nome del modello	A	B	C	D	E	F
KD-85X81BL / 85X80L KM-85X80L	1901	1090	43	592	138	96
XR-85X90L XRM-85X90L	1891	1085	58	607	125	83
KD-75X85L KM-75X85L	1671	960	21	508	123	81
KD-75X81BL / 75X80L KM-75X80L	1675	962	12	493	137	95
XR-75X90L XRM-75X90L	1668	959	21	508	123	81
KD-65X85L / 65X85BL KM-65X85L	1447	832	85	505	123	81
KD-65X81BL / 65X80L KM-65X80L	1452	836	76	494	135	93
XR-65X90L XRM-65X90L	1445	831	85	505	123	81
KD-55X85L KM-55X85L	1228	709	146	505	122	81
KD-55X81BL / 55X80L KM-55X80L	1233	713	133	494	135	93
XR-55X90L XRM-55X90L	1225	707	146	505	122	81
KD-50X80L KM-50X80L	1119	649	63	392	133	91
KD-43X80L KM-43X80L	964	563	111	392	133	91

Posizione di montaggio dell'adattatore della base ①



Nome del modello	Posizione dei ganci	Nome del modello	Posizione dei ganci
KD-85X81BL / 85X80L KM-85X80L XR-85X90L XRM-85X90L	a	KD-55X85L / 55X81BL / 55X80L KM-55X85L / 55X80L XR-55X90L XRM-55X90L	b
KD-75X85L / 75X81BL / 75X80L KM-75X85L / 75X80L XR-75X90L XRM-75X90L	b	KD-50X80L KM-50X80L	c
KD-65X85L / 65X85BL / 65X81BL / 65X80L KM-65X85L / 65X80L XR-65X90L XRM-65X90L	b	KD-43X80L KM-43X80L	c

Installationsinformation för användning av Sony väggfäste (SU-WL450)

Modeller som stöds*:

* I aktuella modellnamn anger "x"/"xx" siffror och/eller tecken som är specifika för varje modell.

KD-85X8xL / 85X8xBL / 75X8xL / 75X8xBL / 65X8xL / 65X8xBL / 55X8xL / 55X8xBL / 50X8xL / 43X8xL

KM-85X8xL / 75X8xL / 65X8xL / 55X8xL / 50X8xL / 43X8xL

XR-85X9xL / 75X9xL / 65X9xL / 55X9xL

XRM-85X9xL / 75X9xL / 65X9xL / 55X9xL

Till kunder

För att skydda produkten och av säkerhetsskäl rekommenderar Sony starkt att TV:n eller LCD-bildskärmen installeras av Sony-återförsäljare eller licensierade installatörer. Försök inte att installera den själv.

Till Sony-återförsäljare och installatörer

Ägna full uppmärksamhet åt säkerheten under installation, periodiskt underhåll och undersökning av denna produkt.

Tillräcklig expertis krävs för att installera denna produkt, speciellt för att fastställa väggens styrka när det gäller att hålla upp TV:ns eller LCD-bildskärmens vikt. Anlita alltid en Sony-återförsäljare eller en licensierad installatör och ägna vederbörlig uppmärksamhet åt säkerhet under installationen. Sony är inte ansvarsskyldiga för materiella skador eller personskador som orsakats av felaktig hantering eller felaktig installation.

För säkerhet och riktig installation, följ användarinstruktionerna för väggfästet, TV:ns eller LCD-bildskärmens startguide och anvisningarna i denna manual.

Väggfäste

Om säkerhet

Tack för att du valt denna produkt.

Till kunder

Montera TV:n eller LCD-bildskärmen på väggen



WARNING

INSTALLATION MÅSTE UTFÖRAS AV KUNNIGA PERSONER

Denna produkt bör endast installeras av en kunnig installatör som är utbildad i att avgöra om väggen håller för TV:ns eller LCD-bildskärmens vikt. Det kan hända att TV:n eller LCD-bildskärmen faller i golvet och orsakar allvarlig skada om den inte säkras ordentligt under installationen. Sony är inte ansvarigt för eventuella person- eller materialskador som orsakats av felaktig hantering eller felaktig installation, eller av att annat än den specificerade produkten installerats. Dina eventuella lagenliga rättigheter påverkas inte.

Till Sony-återförsäljare

Installationen av denna produkt kräver att du har tillräckliga kunskaper. För att du ska kunna göra den här installationen säker måste du ta del av informationen i den här bruksanvisningen. Sony kan inte hållas ansvarigt för eventuella skador eller personskador som orsakats av felaktig användning eller felaktig installation. Vänligen ge denna manual till kunden efter utförd installation.

I den här bruksanvisningen finns instruktioner för hur produkten används samt information om sådant som du bör känna till för att undvika olyckor. Det är ditt ansvar att noggrant läsa igenom, förstå och följa alla anvisningar i denna bruksanvisning. Underlåtenhet att göra det kan resultera i allvarlig personskada eller skada på egendom, och kan upphäva garantin. Behåll denna manual för framtida bruk.

Produkter från Sony är utformade med tanke på säkerhet. Om produkterna emellertid används felaktigt kan det leda till allvarliga personskador till följd av brand, elstötar eller av att produkten välts eller fallit ned. Förebygg sådana olyckor genom att inte åsidosätta säkerheten.

SE UPP

Angivna produkter

Detta väggfäste är tillverkat för att användas tillsammans med passande TV-apparater eller LCD-bildskärmar. Se respektive referensmaterial för varje TV eller LCD-bildskärm för att se om detta väggfäste kan användas.

Till kunder

WARNING

Om följande säkerhetsföreskrifter inte följs kan det leda till allvariga personskador eller dödsfall som följd av brand, elektriska stötår, att produkten välter eller faller ner.

Överlåt installationen till behörig personal och se till att små barn inte befinner sig i närheten när installationen utförs.

Om väggfästet eller TV:n eller LCD-bildskärmen inte installeras på rätt sätt kan följande olyckor ske. Se till att installationen utförs av behörig personal.

- TV:n eller LCD-bildskärmen kan falla ner och orsaka allvarliga skador som skrapår eller benbrott.
- Om väggen där väggfästet monteras inte är stabil, jämn eller lodrät mot golvet, kan enheten lossna och orsaka skador på person och/eller egendom. Väggen skall vara stark nog att klara en vikt på minst fyra gånger TV:ns eller LCD-bildskärmens vikt.
(Mer information om vikten finns i referensmaterialet till TV:n eller LCD-bildskärmen.)
- Om inte installationen av väggfästet sitter stabilt kan enheten lossna och orsaka skador på person och/eller egendom.

Överlåt förflyttning eller nedmontering av TV:n eller LCD-bildskärmen till behörig person.

Om obehöriga personer transporterar eller monterar ner TV:n eller LCD-bildskärmen kan den falla och orsaka allvarliga person- eller egendomsskador. Det krävs två eller fler personer (tre eller fler personer för 189,3 cm (75 tum) eller större TV eller LCD-bildskärm) för att bära en stor TV eller LCD-bildskärm (utom Egypten). Det krävs två eller fler personer (tre eller fler personer för 75 tum (189,3 cm) eller större TV eller LCD-bildskärm) för att bära en stor TV eller LCD-bildskärm (endast Egypten).

Ta inte ur några skruvar etc. efter att TV:n eller LCD-bildskärmen monterats.

Det kan leda till att TV:n eller LCD-bildskärmen faller ner och orsakar allvarliga person- eller egendomsskador.

Modifera inte väggfästets olika delar.

Då kan väggfästet lossna och orsaka skador på person och/eller egendom.

Montera ingen annan utrustning än den specificerade produkten.

Detta väggfäste är tillverkat enbart för användning tillsammans med angiven produkt. Om du använder det för montering av annan utrustning kan det lossna eller gå sönder och orsaka skador på person eller egendom.

Utsätt inte väggfästet för annan belastning än den från TV:n eller LCD-bildskärmen.

Skaka inte TV:n eller LCD-bildskärmen åt vänster/höger, uppåt/ nedåt.

Det kan leda till att TV:n eller LCD-bildskärmen faller ner och orsakar allvarliga person- eller egendomsskador.

Luta dig inte mot eller häng på TV:n eller LCD-bildskärmen.

Luta dig inte mot eller häng på TV:n eller LCD-bildskärmen eftersom den kan falla ner på dig och orsaka allvarlig skada.

SE UPP

Om du inte efterföljer följande säkerhetsföreskrifter finns det risk för personskador eller skador på egendom.

- Förvara oanvända delar på en säker plats för framtida användning. Håll borta från barn.

Hantera enheten försiktig när du rengör den eller utför underhåll.

Tyng inte onödigt mycket på TV:ns eller LCD-bildskärmens ovansida. Det kan leda till att TV:n eller LCD-bildskärmen faller ner och orsakar allvarliga person- eller egendomsskador.

Försiktighetsåtgärder

- Om du använder TV:n eller LCD-bildskärmen monterad på väggfästet under en längre tid, finns det risk att väggen bakom eller ovanför TV:n eller LCD-bildskärmen missfärgas eller att tapeten lossnar, beroende på väggmaterialet.
- Om du tar bort väggfästet från väggen efter installationen finns skruvhålen kvar i väggen.
- Använd inte väggfästet på platser som är utsatta för mekanisk vibration.

SE

Installera väggfästet

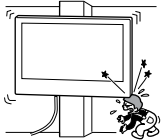
Till Sony-återförsäljare

VARNING

Följande instruktioner gäller bara för Sony-återförsäljare. Läs ovanstående säkerhetsföreskrifter noga och släpp aldrig tanken på säkerheten, vare sig under installation, underhåll eller kontroll av den här produkten.

Installera inte väggfästet på en yta där TV:ns eller LCD-bildskärmens hörn eller sidor skjuter ut från väggen.

Installera inte väggfästet på en yta, till exempel en pelare, där TV:ns eller LCD-bildskärmens hörn eller sidor skjuter ut från väggen. Om en person eller ett föremål råkar slå emot TV:ns eller LCD-bildskärmens utskjutande delar kan det leda till allvarlig person- eller egendomsskada.

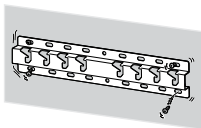


Installera inte TV:n eller LCD-bildskärmen över eller under en luftkonditioneringsanläggning.

Om TV:n eller LCD-bildskärmen utsätts för vattenläckage eller luftströmmar från en luftkonditioneringsanläggning under en längre tid kan det leda till brand, elektriska stötar eller funktionsstörning hos TV:n eller LCD-bildskärmen.

Följ anvisningarna i den här bruksanvisningen noga så att monteringen av väggfästet uppfyller säkerhetskraven.

Om någon av skruvarna sitter löst eller lossnar kan väggfästet lossna och orsaka skador på person eller egendom. Se till att du använder rätt skruv för väggmaterialet och skruva fast enheten ordentligt med minst fyra skruvar på 8 mm i diameter (eller motsvarande).



Följ anvisningarna i den här bruksanvisningen så att de medföljande skruvarna och monteringsdetaljerna blir använda på rätt sätt. Om du använder ersättningsdetaljer kan TV:n eller LCD-bildskärmen falla ner och orsaka personskador eller skador på TV:n eller LCD-bildskärmen.

Se till att fästet monteras ihop korrekt enligt instruktionerna i bruksanvisningen.

Om någon av skruvarna sitter löst eller lossnat helt, kan TV:n eller LCD-bildskärmen lossna och orsaka personskador eller skador på TV:n eller LCD-bildskärmen.

Fäst och dra åt skruvarna på den plats där de är avsedda att sitta.

I annat fall kan TV:n eller LCD-bildskärmen falla ner och orsaka personskador eller skador på TV:n eller LCD-bildskärmen.

Utsätt inte TV:n eller LCD-bildskärmen för stötar vid installationen.

Om TV:n eller LCD-bildskärmen utsätts för stötar kan den falla ner eller gå sönder. Detta kan orsaka personskador.

Installera TV:n eller LCD-bildskärmen på en vägg som är både lodrät och slät.

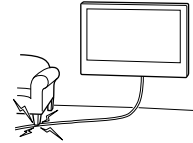
Annars kan TV:n eller LCD-bildskärmen falla ner och orsaka personskador.

När TV:n eller LCD-bildskärmen installerats på rätt sätt fäster du kablarna ordentligt.

Om personer eller föremål trasslar in sig i kablarna kan det orsaka personskador eller skador på TV:n eller LCD-bildskärmen.

Se till att inte nätkabeln eller anslutningskabeln kommer i kläm.

Om nätkabeln eller anslutningskabeln kläms mellan enheten och väggen, eller böjs och vrids med våld, kan de inre ledarna i kablarna friläggas, vilket kan leda till kortslutning eller strömavbrott. Det kan i sin tur leda till brand eller elektrisk stöt.



Skruvarna som behövs för att skruva fast väggfästet på väggen medföljer ej.

Skruva fast väggfästet med skruvar som är anpassade efter väggmaterialet och väggens struktur.

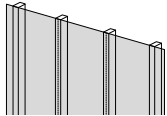
Innan du börjar

- De bilder av TV-apparater och LCD-bildskärmar som visas i denna manual är exempel avsedda att förtydliga anvisningarna. Det kan därför hända att bilderna skiljer sig från den aktuella TV:ns eller LCD-bildskärmens verkliga utseende.

Vad är din vägg byggd av?

Kontrollera först vilken typ av vägg TV:n eller LCD-bildskärmen ska installeras på.

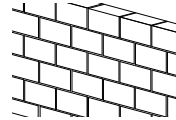
Gipsvägg med träreglar



Försiktighetsåtgärder

- Maximal tjocklek för gipsvägg: 16 mm.
- Säkerställ att storleken av träreglarna är minst 51 mm × 102 mm för vanlig installation eller 38 mm × 89 mm för nominell installation.

Massiv betong eller betongblock



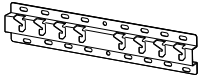








Försiktighetsåtgärder

- Montera väggfästet direkt på den massiva betongväggen.
- Säkerställ att betongväggen är minst 203 mm tjock.
- Säkerställ att storleken av varje betongblock är minst 203 mm × 203 mm × 406 mm.




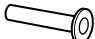

Kontrollera delarna

Medföljer SU-WL450


- Kontrollera så att alla delar medföljer.

<p>Ⓐ Bas (20) (x1)</p> 	<p>Ⓑ Block (x2)</p> 	<p>Ⓒ Skruv (+PSW 6 x 20) (x4)</p> 	<p>Ⓔ Distans (20 mm) (x2)</p> 
<p>Ⓕ Rem (x1)</p> 	<p>Ⓘ Basadapter (x2)</p> 	<p>Ⓙ Skruv (+PSW 4 x 10) (x8)</p> 	<p>Ⓚ Distans (60 mm) (x2)</p> 
<p>Ⓛ Skruv (+PSW 6 x 50) (x2)</p> 			

- Följande delar används inte till alla modeller.

<p>Ⓓ Skruv (+PSW 4 x 20) med bussning (x2)</p> 	<p>Ⓞ Bussning (20) (M4) (x2)</p> 	<p>Ⓢ Skruv (+PSW 4 x 20) (x2)</p> 	<p>Ⓜ Bussning (M4) (x2)</p> 
<p>Ⓝ Skruv (+PSW 4 x 50) (x2)</p> 			



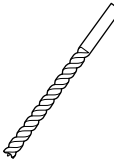
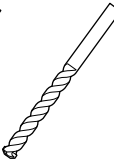
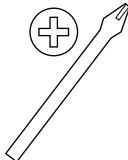
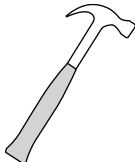
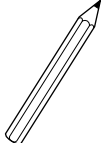
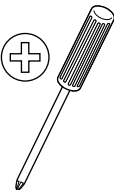
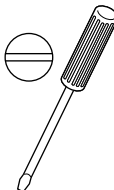
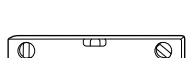




Medföljer TV:n eller LCD-bildskärmen

<p>Väggfästanordning VS (x4)*</p> 
--

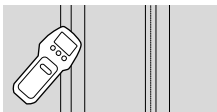
- * Endast för begränsad region/land/modell.

Förbereda installationen

- Ha TV:ns eller LCD-bildskärmens referensmaterial och startguide till hands före installation.
- Kontrollera din TV:s eller LCD-bildskärms monteringsplats.
- Förbered minst fyra skruvar med en diameter på 8 mm och en skruv med en diameter på 5 mm eller liknande (medföljer ej). Välj skruvar som är lämpliga för väggmaterialet.
- Förbered följande verktyg:

*1 		 5,5 mm	 10 mm	
*2 		 1,5 N·m {15 kgf·cm}	*3  1,5 N·m {15 kgf·cm}	
	*2  (×4)	 (×4) 8 mm × 60 mm	 5 mm	
*4 				

*1 Endast för gipsvägg med träreglar



*2 Endast för betongvägg eller betongblock

*3 Beroende på modeller

*4 Endast för TV eller LCD-bildskärm som är 189,3 cm (75 tum) eller större (utom Egypten)
Endast för TV eller LCD-bildskärm som är 75 tum (189,3 cm) eller större (endast Egypten)

Montera väggfästet på väggen

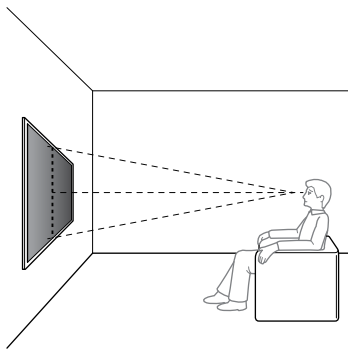
1 Välj installationsplats.

Kontrollera att väggen är stor nog för TV:n eller LCD-bildskärmen och att den är stark nog för en vikt som är fyra gånger TV:ns eller LCD-bildskärmens vikt.

Se TV:ns eller LCD-bildskärmens referensmaterial avseende TV:ns eller LCD-bildskärmens vikt.

Obs!

- När TV:n eller LCD-bildskärmen monteras på väggen lutar TV:ns eller LCD-bildskärmens övre sida något framåt.
- Vi rekommenderar att du kontrollerar placeringen av TV:n eller LCD-bildskärmen i visningsmiljön.



2 Välj typ av väggmontering enligt nedan.

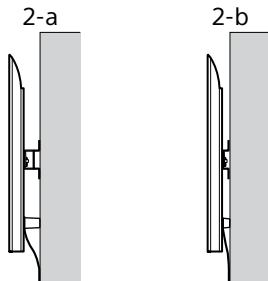
2-a: Standardmontering

2-b: Väggnära montering

- Se "Mått för montering av väggfäste på väggen" på sidan 18.

VARNING

- När 2-b väljs är åtkomst till uttagen på baksidan begränsad.

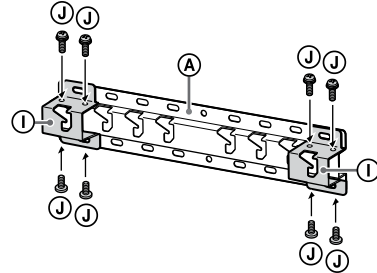


3 Om standardmontering (2-a) är valt:

Montera basadapter ① med skruv (+PSW 4 × 10) ② i bas (20)

Ⓐ.

- Se "Monteringsplats för basadapter ①" på sidan 19.



Ex.: Montering av basadapter ① på plats "a"

Om väggnära montering (2-b) är valt:

Hoppa över denna punkt.

4 Avgör var skruvarna ska sitta vid montering av basen (20) Ⓐ.

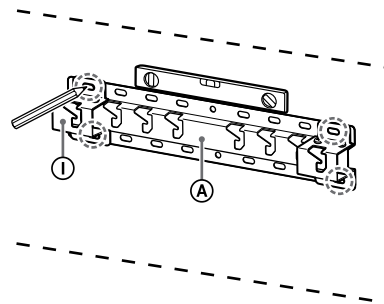
- Se "Specifikationer" på sidan 17.

VARNING

- Försäkra dig om att väggen där TV:n eller LCD-bildskärmen skall monteras är tillräckligt stark. Förstärk väggen ordentligt om så behövs.
- Den vägg som TV:n eller LCD-bildskärmen ska monteras på måste vara stark nog att bära en vikt på minst **fyra gånger** TV:ns eller LCD-bildskärmens vikt. (Mer information om vikten finns i referensmaterialet till TV:n eller LCD-bildskärmen.)

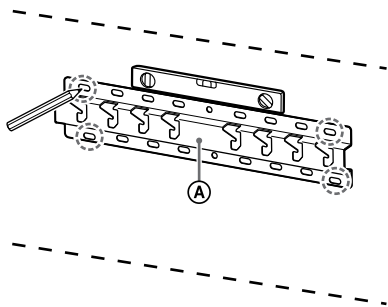
Om standardmontering (2-a) är valt:

Använd hållägena på basadapter ①.



Ex.: Markering av plats "a" för montering i bas (20) Ⓐ

Om väggnära montering (2-b) är valt:

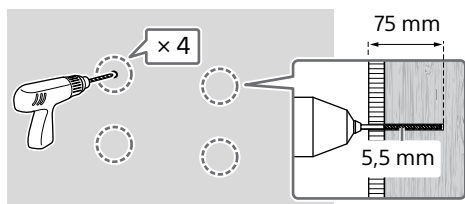


Ex.: Markering av plats "a" för montering i bas (20)
Ⓐ

5 Borra ledhål i de markeringar du gjort.

Se till att den plats på väggen där hålen ska borrar håller för en vikt som är minst fyra gånger TV:ns eller LCD-bildskärmens vikt.

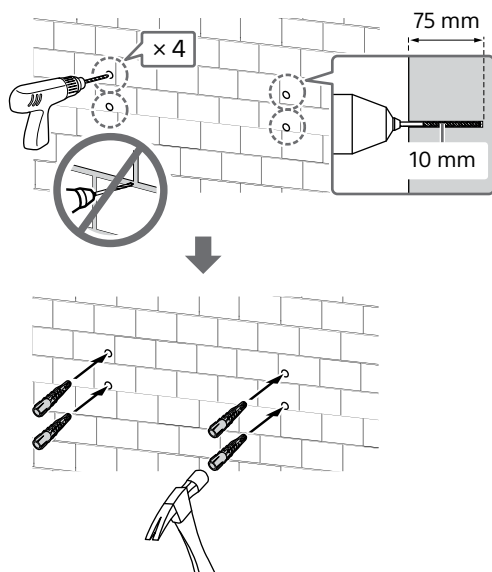
Borrning i gipsvägg med träreglar:



Obs!

- Pilothål måste borrar till ett djup av 75 mm med en borrarpet som är 5,5 mm i diameter.

Borrning i massiv betong eller betongblock:



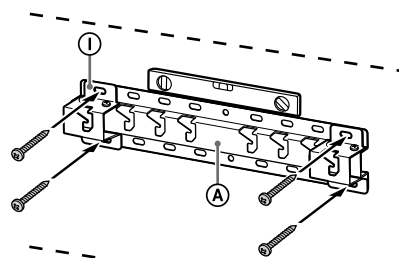
6 Installera basen (20) Ⓐ på väggen med lämpliga skruvar (medföljer ej).

Obs!

- Förbered minst fyra skruvar med en diameter på 8 mm eller liknande (medföljer ej).
- Använd ett vattenpass för att kontrollera att basen (20) Ⓐ sitter horisontalt.

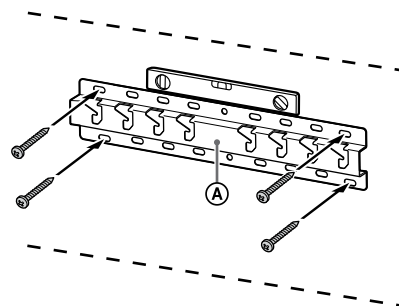
Om standardmontering (2-a) är valt:

Sätt fyra skruvar i hålen för basadapter Ⓛ med bas (20) Ⓐ.



Ex.: Montering av bas (20) Ⓐ på plats "a"

Om väggnära montering (2-b) är valt:



Ex.: Montering av bas (20) Ⓐ på plats "a"

7 KD-85X8xL / 85X8xBL / 75X8xL / 75X8xBL, KM-85X8xL / 75X8xL, XR-85X9xL / 75X9xL, XRM-85X9xL / 75X9xL endast Markera installationsplatsen på väggen.

Använd maskeringstejp etc. (medföljer ej) för att markera TV:ns eller LCD-bildskärmens läge nära bas- (20) Ⓐ eller basadaptern Ⓛ.

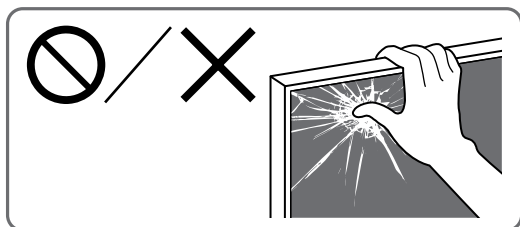
- Se "Väggmärkning för TV:ns eller LCD-bildskärmens installationsplats" på sidan 20.

Förutom KD-85X8xL /
85X8xBL / 75X8xL / 75X8xBL,
KM-85X8xL / 75X8xL,
XR-85X9xL / 75X9xL,
XRM-85X9xL / 75X9xL
Hoppa över denna punkt.

Förbered installationen av TV:n eller LCD-bildskärmen

Obs!

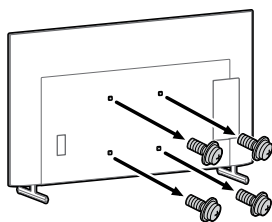
- Var noga med att förvara de borttagna skruvarna och oanvända delarna på en säker plats och håll dem borta från barn.



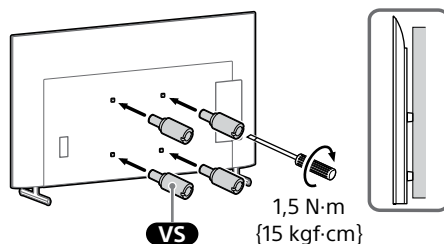
1 Fäst bordsstativet så att TV:n eller LCD-bildskärmen kan stå.

- Se TV:ns eller LCD-bildskärmens startguide.

2 Ta bort skruvarna från TV:ns eller LCD-bildskärmens baksida.



3 Fäst väggfästeanordningen **VS** (medföljer TV:n eller LCD-bildskärmen) mot TV:ns eller LCD-bildskärmens baksida (för att få den parallell med väggen).



Obs!

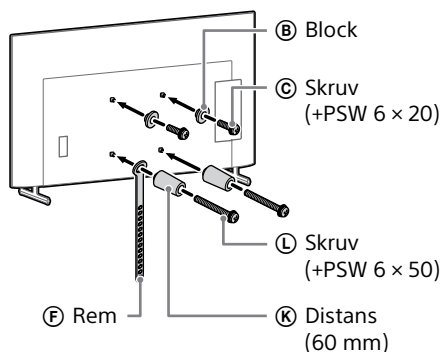
- Se till att dra åt väggfästeanordningen **VS** vid montering på TV:n eller LCD-bildskärmen. Använd endast en spårskruvmejsel till att montera väggfästeanordningen **VS**. Användning av ett annat verktyg kan resultera i för hård åtdragning av väggfästeanordningen **VS** och skada TV:n eller LCD-bildskärmen.

4 Fäst monteringsdetaljerna för väggfästet. Kontrollera monteringsdetaljerna enligt "Medföljer SU-WL450" under "Kontrollera delarna" på sidan 6.

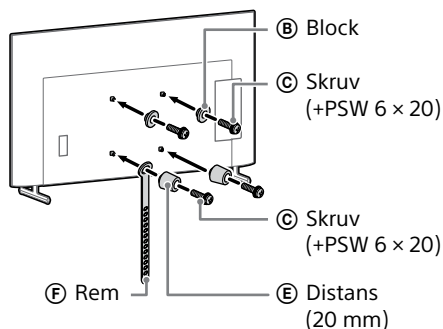
Obs!

- Fäst monteringsdetaljerna ordentligt med skruvar.
- Om du använder en elektrisk skruvdragare ska du ställa in vridmomentet på cirka 1,5 N·m {15 kgf·cm}.

Om standardmontering (2-a) är valt:



Om väggnära montering (2-b) är valt:



5 Anslut nödvändiga kablar till TV:n eller LCD-bildskärmen.

Se till så att du ansluter kablarna innan du monterar TV:n eller LCD-bildskärmen på väggen. Det går inte att ansluta kablarna när TV:n eller LCD-bildskärmen är monterad.

Obs!

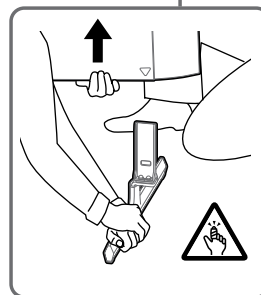
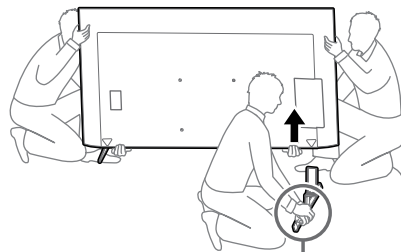
- Anlita en behörig montör för att utföra kabeldragingen i väggen.
- Bunta ihop anslutningskablarna för att förhindra att de trampas på före väggmontering.

6 Ta loss bordsstativet från TV:n eller LCD-bildskärmen.

Bilden nedan visar ett exempel på tillvägagångssätt.

Förutom KD-75X85L / 65X85L / 65X85BL / 55X85L, KM-75X85L / 65X85L / 55X85L, XR-85X90L / 75X90L / 65X90L / 55X90L, XRM-85X90L / 75X90L / 65X90L / 55X90L

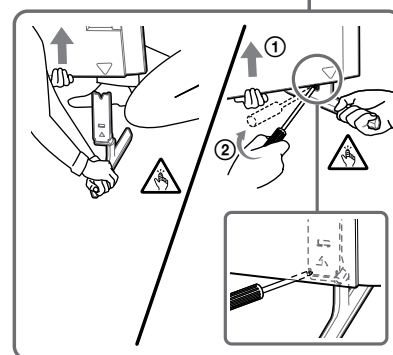
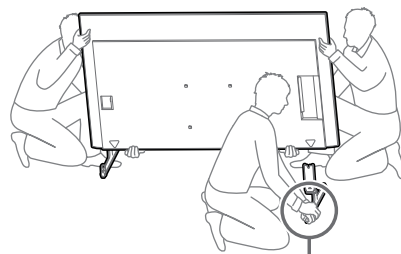
- Avlägsna en sida av bordsstativet åt gången. Håll ett fast och säkert tag om bordsstativet med båda händerna medan de andra personerna lyfter upp TV:n eller LCD-bildskärmen.



- Upprepa föregående steg och avlägsna den andra sidan av bordsstativet.

KD-75X85L / 65X85L / 65X85BL / 55X85L, KM-75X85L / 65X85L / 55X85L endast

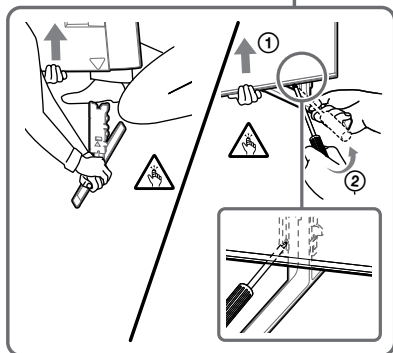
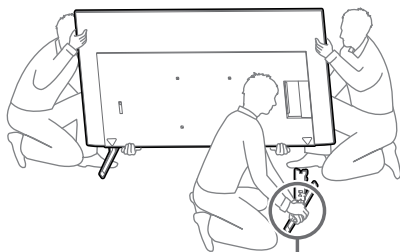
- Avlägsna en sida av bordsstativet åt gången. Håll ett fast och säkert tag om bordsstativet med båda händerna medan de andra personerna lyfter upp TV:n eller LCD-bildskärmen.



- Upprepa föregående steg och avlägsna den andra sidan av bordsstativet.

XR-85X90L / 75X90L / 65X90L / 55X90L,
XRM-85X90L / 75X90L / 65X90L / 55X90L
endast

- Avlägsna en sida av bordsstativet åt gången. Håll ett fast och säkert tag om bordsstativet med båda händerna medan de andra personerna lyfter upp TV:n eller LCD-bildskärmen.



- Upprepa föregående steg och avlägsna den andra sidan av bordsstativet.

Obs!

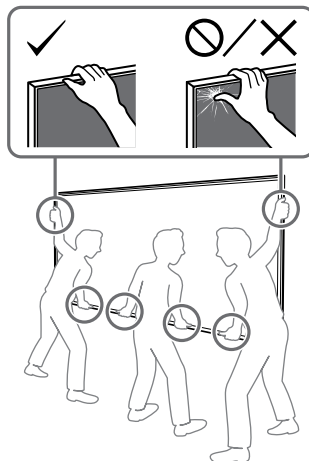
- Tre eller fler personer krävs för att ta loss bordsstativet.
- Var försiktig så att ni inte tar i med för hård kraft medan ni tar loss bordsstativet från TV:n eller LCD-bildskärmen eftersom det kan orsaka att TV:n eller LCD-bildskärmen faller och resultera i personskada eller fysisk skada på TV:n eller LCD-bildskärmen.
- Var försiktiga vid hantering av bordsstativet för att undvika skada på TV:n eller LCD-bildskärmen.
- Var försiktig när du lyfter TV:n eller LCD-bildskärmen när bordsstativet lossats, eftersom bordsstativet kan välta och orsaka personskador.
- Var försiktig när du tar bort bordsstativet från TV:n eller LCD-bildskärmen för att hindra den från att ramlas och skada ytan som TV:n eller LCD-bildskärmen sitter på.

Montera TV:n eller LCD-bildskärmen på väggen

KD-85X8xL / 85X8xBL / 75X8xL / 75X8xBL, KM-85X8xL / 75X8xL, XR-85X9xL / 75X9xL, XRM-85X9xL / 75X9xL endast

VARNING

- Det krävs två eller fler personer (tre eller fler personer för 189,3 cm (75 tum) eller större TV eller LCD-bildskärm) för att bära en stor TV eller LCD-bildskärm (utom Egypten).
Det krävs två eller fler personer (tre eller fler personer för 75 tum (189,3 cm) eller större TV eller LCD-bildskärm) för att bära en stor TV eller LCD-bildskärm (endast Egypten).



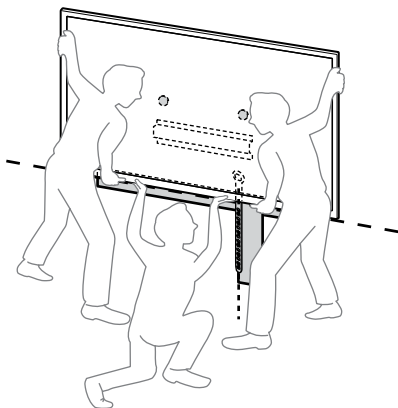
1 Lyft TV:n eller LCD-bildskärmen.

- Angående placering av blocken (B) som ska hänga på basen (20) (A) eller basadaptern (1) hänvisas till "Monteringsplats för basadapter (1)" på sidan 19.
- Se till att baksidan av TV:n eller LCD-bildskärmen berör basen- (20) (A) eller basadaptern (1) när du håller TV:n eller LCD-bildskärmen.

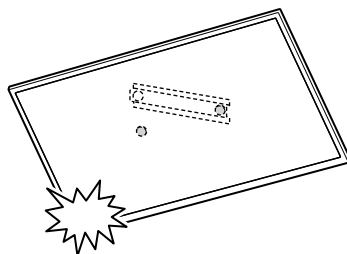
Obs!

- Håll TV:n eller LCD-bildskärmen säkert med båda händerna och tillse att remmen (E) och basen på TV:n eller LCD-bildskärmen justeras till maskeringstejpen.

- Bär TV:n eller LCD-bildskärmen med tre personer och personen framför TV:n eller LCD-bildskärmen guidar de andra för att justera läget.

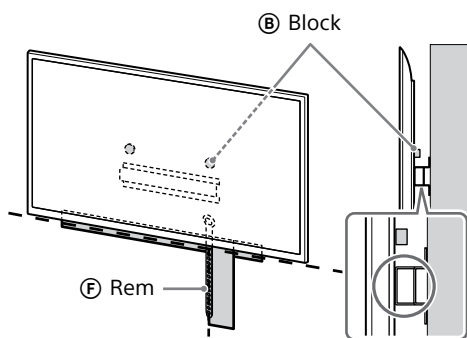


- Frigör båda händerna sakta för att säkerställa att TV:n eller LCD-bildskärmen inte faller ner.



- Efter montering av TV:n eller LCD-bildskärmen på väggen, ta bort maskeringstejpen mm. från väggen.

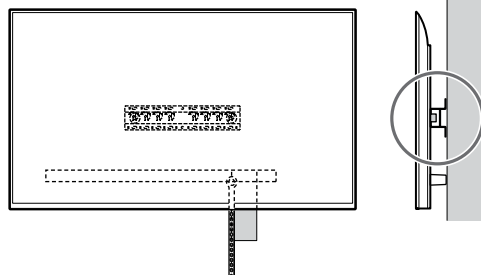
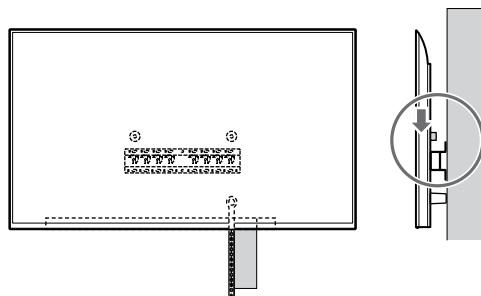
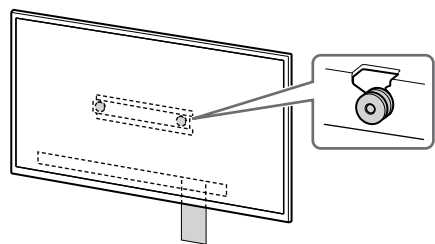
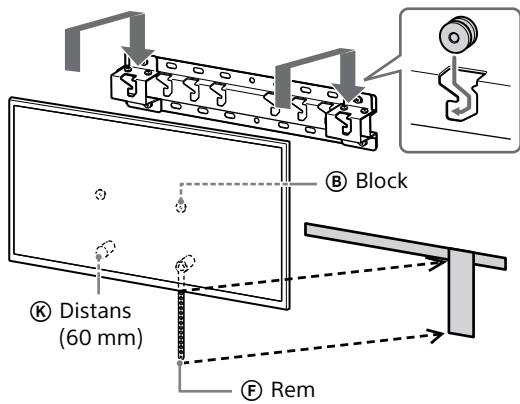
- Ta stor omsorg när du installerar TV:n eller LCD-bildskärmen på väggen särskilt för den person som stöder TV:n eller LCD-bildskärmen underifrån, TV-apparaten eller LCD-bildskärmen kan välta och orsaka allvarliga personskador eller t.o.m. döden.



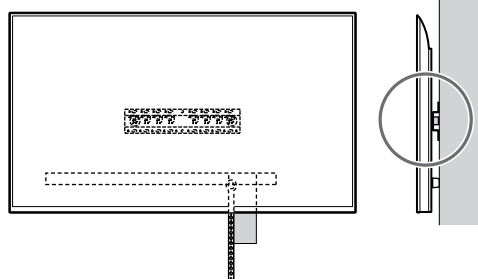
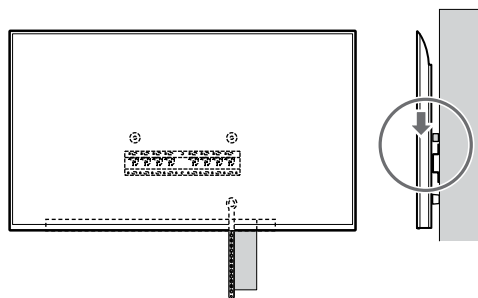
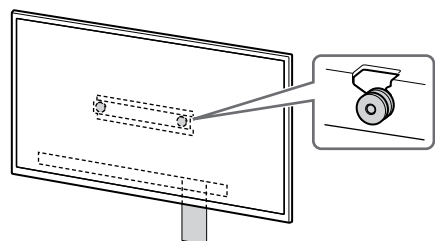
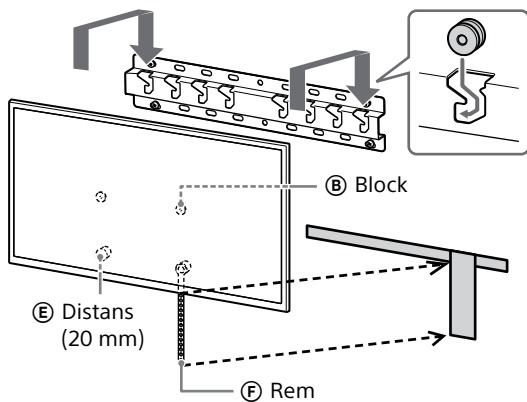
2 Montera TV:n eller LCD-bildskärmen på basen (20) (A) eller basadaptorn (I).

- Låt TV:n eller LCD-bildskärmen försiktigt glida ner och häng block (B) fästa till baksidan på TV:n eller LCD-bildskärmen till basen (20) (A) eller basadaptorn (I), och tillse att formen på hålen bekräftas.
- När TV:n eller LCD-bildskärmen har monterats på väggen ska man kontrollera att blocken (B) är ordentligt fästa i basen (20) (A) eller basadaptorn (I).

Om standardmontering (2-a) är valt:

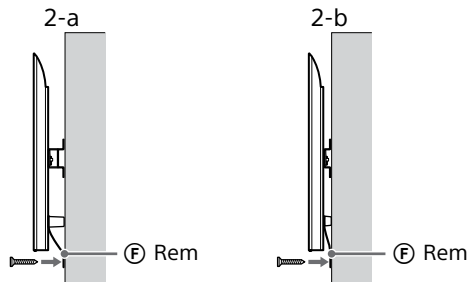


Om väggnära montering (2-b) är valt:



3 Förhindra att TV:ns eller LCD-bildskärmens nedre del flyttar sig.

- Spänn åt remmen (F) och fäst den ordentligt i väggen.



- Använd en skruv på 5 mm i diameter eller liknande (medföljer ej).

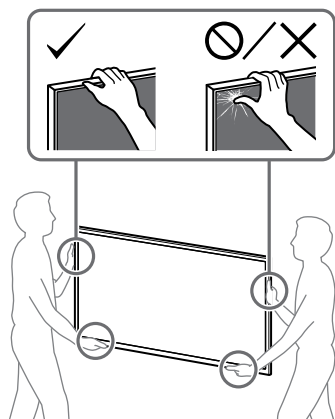
Obs!

- Försök dra TV:ns eller LCD-bildskärmens nedre del mot dig för att se till att den inte rör sig. Om TV:n rör sig sitter den inte fast som den ska och remmen (F) måste dras åt ytterligare.

Förutom KD-85X8xL / 85X8xBL / 75X8xL / 75X8xBL, KM-85X8xL / 75X8xL, XR-85X9xL / 75X9xL, XRM-85X9xL / 75X9xL

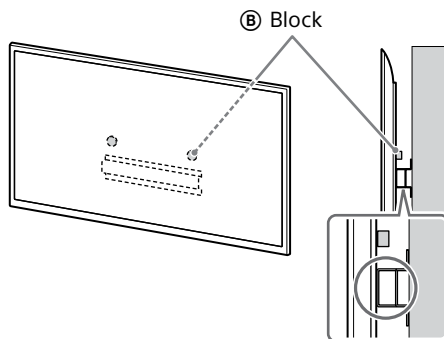
VARNING

- Det krävs två eller fler personer (tre eller fler personer för 189,3 cm (75 tum) eller större TV eller LCD-bildskärm) för att bära en stor TV eller LCD-bildskärm (utom Egypten). Det krävs två eller fler personer (tre eller fler personer för 75 tum (189,3 cm) eller större TV eller LCD-bildskärm) för att bära en stor TV eller LCD-bildskärm (endast Egypten).



1 Lyft TV:n eller LCD-bildskärmen.

- Angående placering av blocken (B) som ska hänga på basen (20) (A) eller basadaptorn (1) hänvisas till "Monteringsplats för basadapter (1)" på sidan 19.
- Se till att baksidan av TV:n eller LCD-bildskärmen berör basen- (20) (A) eller basadaptorn (1) när du håller TV:n eller LCD-bildskärmen.

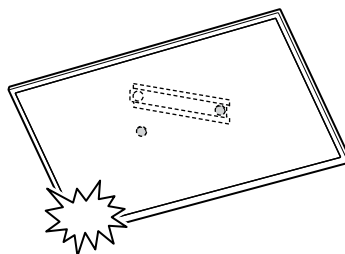


Obs!

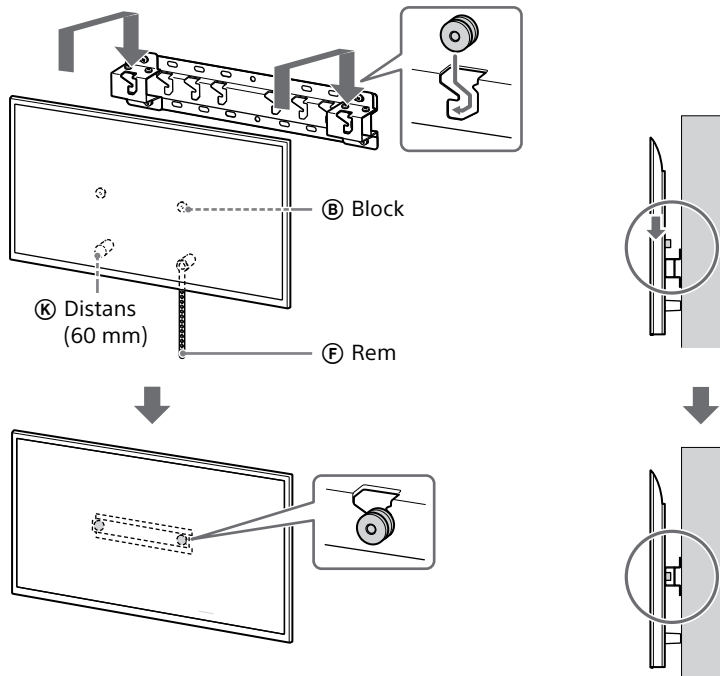
- Håll TV:n eller LCD-bildskärmen säkert med båda händerna.

2 Montera TV:n eller LCD-bildskärmen på basen (20) (A) eller basadaptorn (1).

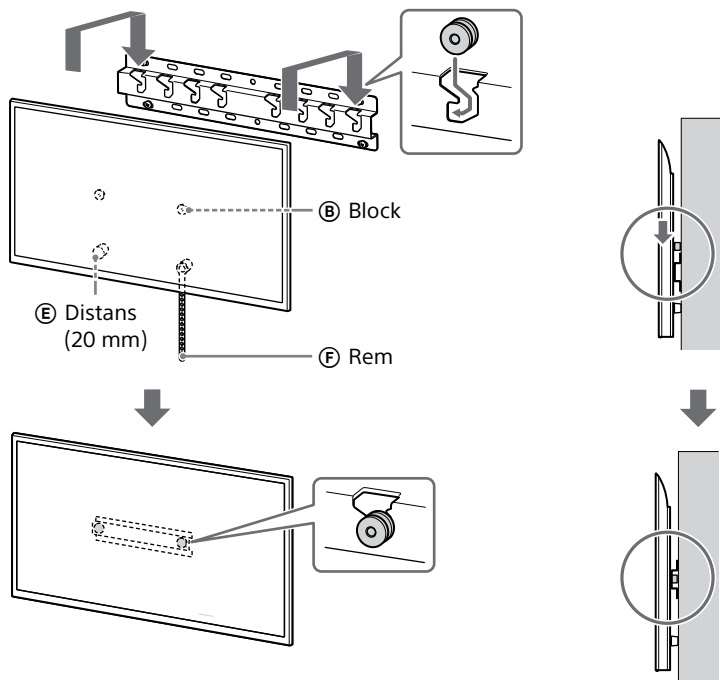
- Låt TV:n eller LCD-bildskärmen försiktigt glida ner och häng block (B) fästa till baksidan på TV:n eller LCD-bildskärmen till basen (20) (A) eller basadaptorn (1), och tillse att formen på hålen bekräftas.
- När TV:n eller LCD-bildskärmen har monterats på väggen ska man kontrollera att blocken (B) är ordentligt fästa i basen (20) (A) eller basadaptorn (1).
- Frigör båda händerna sakta för att säkerställa att TV:n eller LCD-bildskärmen inte faller ner.



Om standardmontering (2-a) är valt:

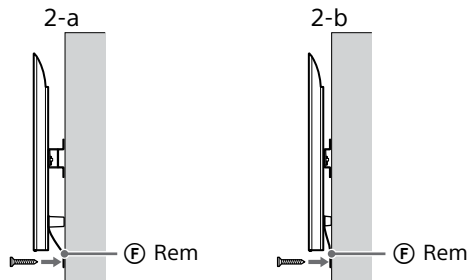


Om vägnära montering (2-b) är valt:



3 Förhindra att TV:ns eller LCD-bildskärmens nedre del flyttar sig.

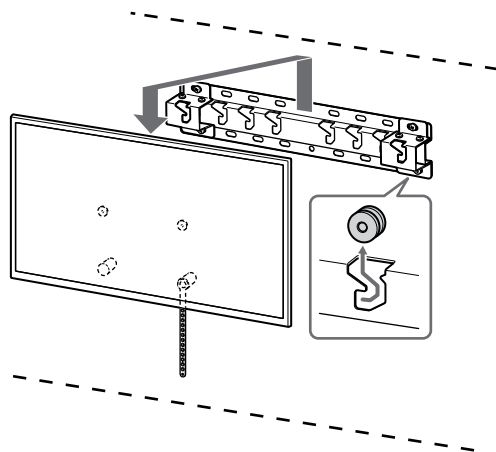
- Spänn åt remmen (F) och fäst den ordentligt i väggen.



- Använd en skruv på 5 mm i diameter eller liknande (medföljer ej).

Obs!

- Försök dra TV:ns eller LCD-bildskärmens nedre del mot dig för att se till att den inte rör sig. Om TV:n rör sig sitter den inte fast som den ska och remmen (F) måste dras åt ytterligare.



VARNING

- Det krävs två eller fler personer (tre eller fler personer för 189,3 cm (75 tum) eller större TV eller LCD-bildskärm) för att bära en stor TV eller LCD-bildskärm (utom Egypten).
Det krävs två eller fler personer (tre eller fler personer för 75 tum (189,3 cm) eller större TV eller LCD-bildskärm) för att bära en stor TV eller LCD-bildskärm (endast Egypten).

Kontrollera att installationen har slutförts

Kontrollera följande punkter.

- Att blocken (B) hänger ordentligt på basen (20) (A) eller basadaptorn (D).
- Sladden och kabeln inte har vridits eller kommit i kläm.
- Remmen (F) är åtdragen och inte hänger slapt.

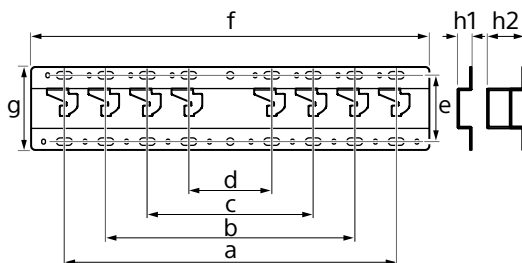
VARNING

- Felaktig placering av nätkabeln etc. leda till brand eller elektriska stötar till följd av en kortslutning. Av säkerhetsskäl är det viktigt att du kontrollerar att installationen har slutförts.

Övrig information

Ta bort TV:n eller LCD-bildskärmen genom att utföra installationsförfarandet i omvänd ordning.

Specifikationer



Mått: (Ca.) [mm]

- a : 400
- b : 300
- c : 200
- d : 100
- e : 80
- f : 480
- g : 100

- h1 : 20 (för vägnära montering, 2-b)
- h2 : 60 (för standardmontering, 2-a)

Vikt (endast bas): (Ca.) [kg]

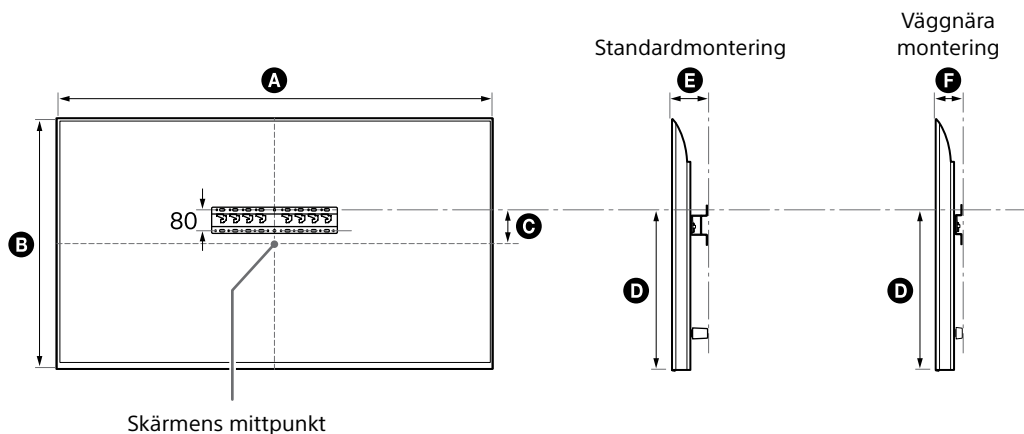
0,8

Design och specifikationer kan ändras utan föregående meddelande.

Referenser

Mått för montering av väggfäste på väggen

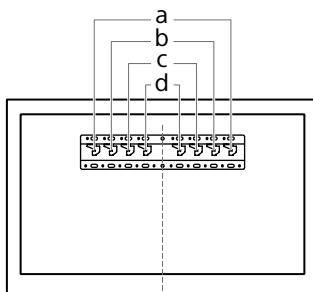
Värdena i tabellen kan variera en aning beroende på installationen.



(mm)

Modellnamn	A	B	C	D	E	F
KD-85X81BL / 85X80L KM-85X80L	1901	1090	43	592	138	96
XR-85X90L XRM-85X90L	1891	1085	58	607	125	83
KD-75X85L KM-75X85L	1671	960	21	508	123	81
KD-75X81BL / 75X80L KM-75X80L	1675	962	12	493	137	95
XR-75X90L XRM-75X90L	1668	959	21	508	123	81
KD-65X85L / 65X85BL KM-65X85L	1447	832	85	505	123	81
KD-65X81BL / 65X80L KM-65X80L	1452	836	76	494	135	93
XR-65X90L XRM-65X90L	1445	831	85	505	123	81
KD-55X85L KM-55X85L	1228	709	146	505	122	81
KD-55X81BL / 55X80L KM-55X80L	1233	713	133	494	135	93
XR-55X90L XRM-55X90L	1225	707	146	505	122	81
KD-50X80L KM-50X80L	1119	649	63	392	133	91
KD-43X80L KM-43X80L	964	563	111	392	133	91

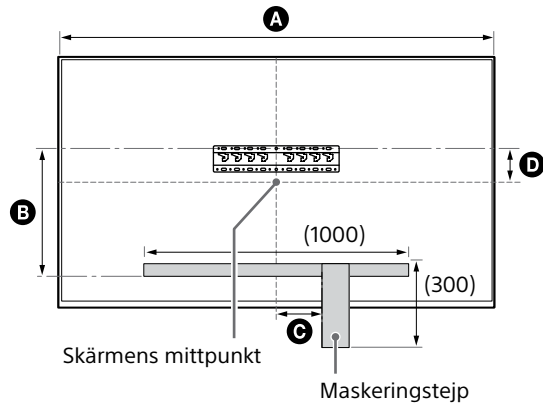
Monteringsplats för basadapter ⓘ



Modellnamn	Hakens placering
KD-85X81BL / 85X80L KM-85X80L XR-85X90L XRM-85X90L	a
KD-75X85L / 75X81BL / 75X80L KM-75X85L / 75X80L XR-75X90L XRM-75X90L	b
KD-65X85L / 65X85BL / 65X81BL / 65X80L KM-65X85L / 65X80L XR-65X90L XRM-65X90L	b

Modellnamn	Hakens placering
KD-55X85L / 55X81BL / 55X80L KM-55X85L / 55X80L XR-55X90L XRM-55X90L	b
KD-50X80L KM-50X80L	c
KD-43X80L KM-43X80L	c

Väggmärkning för TV:ns eller LCD-bildskärmens installationsplats



(mm)

Modellnamn	A	B	C	D
KD-85X81BL / 85X80L KM-85X80L	1901	472	200	43
XR-85X90L XRM-85X90L	1891	486	200	58
KD-75X85L KM-75X85L	1671	388	150	21
KD-75X81BL / 75X80L KM-75X80L	1675	373	150	12
XR-75X90L XRM-75X90L	1668	388	150	21

Informacje dotyczące instalacji w celu korzystania z uchwytu ściennego firmy Sony (SU-WL450)

Obsługiwane modele*:

* Symbol „x”/„xx” w rzeczywistych nazwach modeli wskazuje cyfry i/lub znaki specyficzne dla danego modelu.

KD-85X8xL / 85X8xBL / 75X8xL / 75X8xBL / 65X8xL / 65X8xBL / 55X8xL / 55X8xBL / 50X8xL / 43X8xL

KM-85X8xL / 75X8xL / 65X8xL / 55X8xL / 50X8xL / 43X8xL

XR-85X9xL / 75X9xL / 65X9xL / 55X9xL

XRM-85X9xL / 75X9xL / 65X9xL / 55X9xL

Do Klientów

W celu zapewnienia ochrony produktu i bezpieczeństwa firma Sony zdecydowanie zaleca przeprowadzenie montażu telewizora lub monitora LCD przez dystrybutorów Sony lub licencjonowanych wykonawców. Nie należy podejmować samodzielnych prób montażu.

Do dystrybutorów Sony i wykonawców

Podczas montażu, okresowej konserwacji i sprawdzania tego produktu należy przestrzegać wszystkich zasad bezpieczeństwa.

Do zamontowania tego produktu konieczne jest posiadanie odpowiedniego doświadczenia, co dotyczy szczególnie sprawdzania nośności ściany w celu podtrzymania ciężaru telewizora lub monitora LCD. Montaż tego produktu do ściany należy powierzyć dystrybutorom Sony lub licencjonowanym wykonawcom, zwracając odpowiednią uwagę na kwestie bezpieczeństwa podczas montażu. Firma Sony nie ponosi odpowiedzialności za żadne szkody lub obrażenia wynikające z nieprawidłowego postępowania lub nieprawidłowego montażu.

W celu zapewnienia bezpiecznego i prawidłowego montażu należy stosować się do zaleceń przedstawionych w Instrukcji obsługi uchwytu ściennego, Przewodniku ustawień telewizora lub monitora LCD oraz do wskazówek podanych w niniejszej instrukcji.

Uchwyt ścienny

Informacje dotyczące bezpieczeństwa

Dziękujemy za zakup tego produktu.

Do Klientów

Montaż telewizora lub monitora LCD na ścianie



OSTRZEŻENIE

WYMAGANY FACHOWY MONTAŻ

Montaż produktu powinien wykonać tylko profesjonalny instalator, mający odpowiednie kwalifikacje, aby określić, czy ściana utrzyma masę telewizora lub monitora LCD. Jeśli telewizor lub monitor LCD nie zostanie odpowiednio zabezpieczony podczas montażu, może spaść i spowodować poważne obrażenia ciała. Firma Sony nie ponosi odpowiedzialności za jakiegokolwiek szkody lub obrażenia ciała wynikające z nieprawidłowej obsługi lub montażu bądź instalacji innych urządzeń niż określony produkt. To zastrzeżenie nie ogranicza praw ustawowych klientów (jeśli takie przysługują).

Do dystrybutorów Sony

Do zamontowania tego produktu konieczne jest posiadanie odpowiedniego doświadczenia. Należy dokładnie przeczytać tę instrukcję obsługi, aby zapewnić bezpieczny przebieg prac montażowych. Firma Sony nie ponosi odpowiedzialności za żadne szkody lub obrażenia wynikające z nieprawidłowego postępowania lub nieprawidłowego montażu. Po zakończeniu montażu należy przekazać tę instrukcję klientowi.

W tej instrukcji obsługi przedstawiono prawidłową obsługę produktu oraz ważne środki ostrożności, mające na celu zapobieżenie wypadkom. Użytkownik ma obowiązek uważnie i ze zrozumieniem przeczytać wszystkie wskazówki w niniejszej instrukcji obsługi i postępować zgodnie z ich treścią. W przeciwnym razie może dojść do poważnych obrażeń ciała lub zniszczenia mienia, a także do unieważnienia gwarancji. Należy zachować tę instrukcję w celu wykorzystania w przyszłości.

Produkty firmy Sony są projektowane z myślą o zapewnieniu bezpieczeństwa. Nieprawidłowe korzystanie z produktów może jednak spowodować poważne obrażenia na skutek pożaru, porażenia prądem elektrycznym, przewrócenia się produktu lub jego upadku. Należy przestrzegać środków ostrożności, aby uniknąć tego typu wypadków.

Nadzór nad dystrybucją na terytorium RP :
Sony Europe B.V.
Da Vincilaan 7-D1, 1930 Zaventem, Belgia

UWAGA

Określone produkty

Ten uchwyt ścienny został zaprojektowany z myślą o użyciu z określonymi modelami telewizorów lub monitorów LCD. W Przewodniku telewizora lub monitora LCD można sprawdzić, czy uchwyt ścienny można użyć z danym telewizorem lub monitorem LCD.

Do Klientów

OSTRZEŻENIE

Nieprzestrzeganie poniższych środków ostrożności może spowodować poważne obrażenia lub śmierć na skutek pożaru, porażenia prądem elektrycznym lub upadku produktu.

Należy zlecać montaż licencjonowanym wykonawcom i zapewnić, aby podczas montażu nie znajdowały się w pobliżu małe dzieci.

Jeśli uchwyt ścienny lub telewizor lub monitor LCD nie zostaną zamontowane prawidłowo, może to skutkować następującymi wypadkami. Należy zlecać montaż licencjonowanym wykonawcom.

- Telewizor lub monitor LCD może spaść, powodując poważne obrażenia, takie jak stłuczenia czy złamania.
- Jeśli ściana, na której montowany jest uchwyt ścienny, jest niestabilna, nierówna albo nieprostopadła do podłogi, urządzenie może spaść, powodując obrażenia lub uszkodzenia mienia. Ściana musi być w stanie unieść ciężar co najmniej czterokrotnie większy od ciężaru telewizora lub monitora LCD. (Ciężar telewizora lub monitora LCD jest podany w jego Przewodniku).
- Jeśli montaż uchwyty ściennego do ściany nie zostanie wykonany odpowiednio mocno, urządzenie może spaść, powodując obrażenia lub uszkodzenia mienia.

Należy zlecać przemieszczanie i demontaż telewizora lub monitora LCD licencjonowanym wykonawcom.

Jeśli przemieszczaniem lub demontażem telewizora lub monitora LCD będą zajmować się osoby inne niż licencjonowani wykonawcy, telewizor lub monitor LCD może spaść, powodując obrażenia lub uszkodzenia mienia. Do przemieszczenia dużego telewizora lub monitora LCD potrzeba dwóch lub więcej osób (trzech lub więcej w przypadku telewizorów lub monitorów LCD o przekątnej 189,3 cm (75 cali) lub większej) (z wyjątkiem Egiptu). Do przenoszenia dużego telewizora lub monitora LCD potrzeba dwóch lub więcej osób (trzech lub więcej w przypadku telewizorów lub monitorów LCD o przekątnej 75 cali (189,3 cm) lub większej) (dotyczy tylko Egiptu).

Po zamontowaniu telewizora lub monitora LCD nie wykręcać śrub itp.

Na skutek takiego działania telewizor lub monitor LCD może spaść, powodując obrażenia lub uszkodzenia mienia.

Nie modyfikować elementów uchwyty ściennego.

Na skutek takiego działania uchwyt ścienny może spaść, powodując obrażenia lub uszkodzenia mienia.

Nie montować innych urządzeń niż określony produkt.

Ten uchwyt ścienny jest przewidziany do użyciu wyłącznie z określonymi produktami. W przypadku zamontowania urządzenia innego niż określone, może ono spaść, powodując obrażenia lub uszkodzenia mienia.

Nie obciążać uchwyty ściennego obciążeniem innym niż telewizor lub monitor LCD.

Nie potrząsać telewizorem lub monitorem LCD na boki ani w górę/w dół.

Na skutek takiego działania telewizor lub monitor LCD może spaść, powodując obrażenia lub uszkodzenia mienia.

Nie wieszac się ani nie opierać na telewizorze lub monitorze LCD.

Nie wieszac się ani nie opierać na telewizorze lub monitorze LCD, gdyż na skutek takiego działania telewizor lub monitor LCD może spaść, powodując poważne obrażenia.

UWAGA

Nieprzestrzeganie poniższych środków ostrożności może spowodować obrażenia lub uszkodzenia mienia.

- Niewykorzystane części należy przechować w bezpiecznym miejscu do późniejszego wykorzystania. Należy je przechować w miejscu niedostępnym dla dzieci.

Podczas czyszczenia i konserwacji nie wywierać zbyt mocnego nacisku na produkt.

Nie naciskać zbyt mocno telewizora lub monitora LCD od góry. Na skutek takiego działania telewizor lub monitor LCD może spaść, powodując obrażenia lub uszkodzenia mienia.

Środki ostrożności

- W przypadku długotrwałego użytkowania telewizora lub monitora LCD zamontowanego na uchwycie ściennym ściana za lub ponad telewizorem lub monitorem LCD może ulec odbarwieniu albo tapeta może się odkleić, w zależności od rodzaju materiału, jakim pokryta jest ściana.
- Po zdemontowaniu zamontowanego wcześniej do ściany uchwytu ściennego otwory w ścianie pozostają.
- Nie używać uchwytu ściennego w miejscach narażonych na drgania mechaniczne.

Montaż uchwytu ściennego

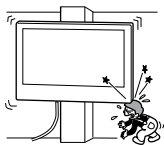
Do dystrybutorów Sony

OSTRZEŻENIE

Poniższe instrukcje są przeznaczone wyłącznie dla dystrybutorów Sony. Należy przeczytać powyższe środki ostrożności, zwracając szczególną uwagę na bezpieczeństwo podczas montażu, konserwacji i sprawdzania tego produktu.

Nie montować uchwytu ściennego na powierzchniach, w przypadku których narożniki lub boki telewizora lub monitora LCD mogłyby wystawać poza powierzchnię.

Nie montować uchwytu ściennego na powierzchniach takich jak filary, w przypadku których narożniki lub boki telewizora lub monitora LCD mogłyby wystawać poza powierzchnię. W razie uderzenia narożnika lub boku telewizora lub monitora LCD przez osobę lub obiekt mogłoby to spowodować obrażenia lub uszkodzenia mienia.

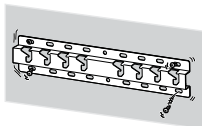


Nie montować telewizora lub monitora LCD nad lub pod klimatyzatorem.

W przypadku narażenia telewizora lub monitora LCD przez dłuższy czas na wycieki wody albo strumień powietrza z klimatyzatora może dojść do porażenia prądem elektrycznym lub awarii telewizora lub monitora LCD.

Uchwyt ścienny należy mocno zamocować do ściany, zgodnie ze wskazówkami podanymi w tej instrukcji obsługi.

Jeśli którakolwiek ze śrub poluzuje się lub wypadnie, uchwyt ścienny może spaść, powodując obrażenia lub uszkodzenia mienia. Należy używać śrub odpowiednich do materiału, z którego wykonana jest ściana i zamontować uchwyt za pomocą czterech lub więcej śrub o średnicy 8 mm (lub odpowiedników).



Należy używać dostarczonych śrub i elementów montażowych w prawidłowy sposób, zgodnie ze wskazówkami podanymi w tej instrukcji obsługi. W przypadku używania elementów zastępczych telewizor lub monitor LCD może spaść, powodując obrażenia lub uszkodzenie telewizora lub monitora LCD.

Uchwyt należy zamontować w prawidłowy sposób, zgodnie ze wskazówkami podanymi w tej instrukcji obsługi.

Jeśli którakolwiek ze śrub poluzuje się lub wypadnie, telewizor lub monitor LCD może spaść, powodując obrażenia lub uszkodzenie telewizora lub monitora LCD.

Śruby należy mocno wkręcać w wyznaczonych miejscach.

W innym przypadku telewizor lub monitor LCD może spaść, powodując obrażenia lub uszkodzenie telewizora lub monitora LCD.

Nie narażać telewizora lub monitora LCD na wstrząsy podczas montażu.

Na skutek wstrząsów telewizor lub monitor LCD może spaść lub rozpaść się. Może to spowodować obrażenia.

Montować telewizor lub monitor LCD na ścianie prostopadłej do podłogi i płaskiej.

W innym przypadku telewizor lub monitor LCD może spaść, powodując obrażenia.

Po zamontowaniu telewizora lub monitora LCD w prawidłowy sposób zamocować kable.

Zaplatanie się osób lub obiektów w kable może spowodować obrażenia lub uszkodzenia.

Nie dopuszczać do zaciśnięcia przewodu zasilającego lub kabli łączących.

W przypadku zaciśnięcia przewodu zasilającego lub kabli łączących pomiędzy urządzeniem a ścianą albo ich zginania lub skręcania na siłę może dojść do odsłonięcia wewnętrznych żył, a co za tym idzie do zwarcia lub przerwy w obwodzie. Może to spowodować pożar lub porażenie prądem elektrycznym.



Śruby potrzebne do zamontowania uchwytu ściennego do ściany nie są dostarczone.

Podczas montażu uchwytu ściennego należy używać śrub odpowiednich do materiału i struktury ściany.

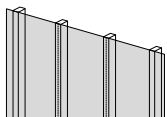
Przed rozpoczęciem

- Ilustracje telewizora lub monitora LCD przedstawione w niniejszej instrukcji to jedynie przykłady wykorzystane w celu zapewnienia skutecznego objaśnienia wymaganych czynności. Z tego powodu urządzenia na ilustracjach mogą wyglądać inaczej od rzeczywistego telewizora lub monitora LCD.

Z jakiego materiału wykonana jest ściana?

Sprawdzić, z jakiego materiału wykonana jest ściana, na której będzie zawieszany telewizor lub monitor LCD.

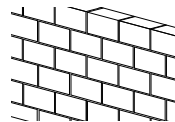
Płyta gipsowo-kartonowa ze stelażem



Środki ostrożności

- Maksymalna grubość płyty gipsowo-kartonowej: 16 mm.
- Upewnić się, że wymiary drewnianej deski stelażowej wewnętrznej są nie mniejsze niż 51 mm × 102 mm dla wymiarów typowych lub 38 mm × 89 mm dla wymiarów nominalnych.

Lita ściana z betonu lub bloczków betonowych



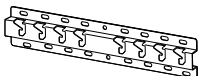








Środki ostrożności

- Uchwyt ścienny należy montować bezpośrednio na powierzchnię litej ściany betonowej.
- Grubość litej ściany betonowej powinna być nie mniejsza niż 203 mm.
- Wymiary bloczków, z których wykonana jest ściana, powinny być nie mniejsze niż 203 mm × 203 mm × 406 mm.




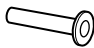

Sprawdzenie elementów

Dostarczone z uchwytem SU-WL450

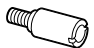
- Sprawdzić, czy wszystkie elementy zostały dostarczone.

<p>Ⓐ Podstawa (20) (x1)</p> 	<p>Ⓑ Kółko (x2)</p> 	<p>Ⓒ Śruba (+PSW 6 x 20) (x4)</p> 	<p>Ⓔ Podkładka dystansowa (20 mm) (x2)</p> 
<p>Ⓕ Pasek (x1)</p> 	<p>Ⓘ Adapter podstawy (x2)</p> 	<p>Ⓙ Śruba (+PSW 4 x 10) (x8)</p> 	<p>Ⓚ Podkładka dystansowa (60 mm) (x2)</p> 
<p>Ⓛ Śruba (+PSW 6 x 50) (x2)</p> 			

- Tych części nie można użyć do posiadanego modelu.

<p>Ⓓ Śruba (+PSW 4 x 20) z tuleją (x2)</p> 	<p>Ⓔ Tuleja (20) (M4) (x2)</p> 	<p>Ⓗ Śruba (+PSW 4 x 20) (x2)</p> 	<p>Ⓜ Tuleja (M4) (x2)</p> 
<p>Ⓝ Śruba (+PSW 4 x 50) (x2)</p> 			

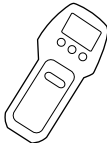

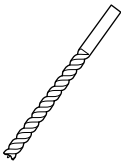
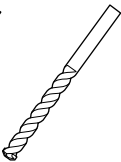

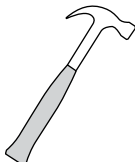
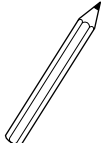
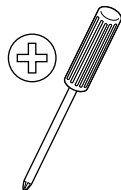
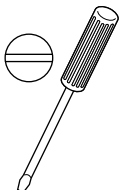





Dostarczone z telewizorem lub monitorem LCD

<p>Uchwyt ścienny VS (x4)*</p> 

- * Wyłącznie w przypadku niektórych regionów/krajów/modeli.

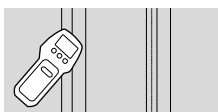
Przygotowanie do montażu

- W czasie instalacji należy mieć do dyspozycji Przewodnik telewizora lub monitora LCD oraz Przewodnik ustawień.
- Wybrać miejsce montażu telewizora lub monitora LCD.
- Przygotować cztery lub więcej śruby o średnicy 8 mm oraz jedną śrubę o średnicy 5 mm lub odpowiedniki (niedostarczone). Wybrać śruby odpowiednie do materiału, z którego wykonana jest ściana.
- Przygotuj następujące narzędzia:

*1 		 5,5 mm	 10 mm	
*2 		 1,5 N·m {15 kgf·cm}	*3  1,5 N·m {15 kgf·cm}	
	*2  (x4)	 (x4) 8 mm x 60 mm	 5 mm	
*4 				

PL

- *1 Tylko do płyt gipsowo-kartonowych ze stelażem



- *2 Tylko do litych ścian betonowych lub z bloczków betonowych

- *3 W zależności od modeli

- *4 Tylko do telewizorów lub monitorów LCD o przekątnej co najmniej 189,3 cm (75 cali) (z wyjątkiem Egiptu)

Tylko do telewizorów lub monitorów LCD o przekątnej co najmniej 75 cali (189,3 cm) (dotyczy tylko Egiptu)

Montaż uchwyty ściennego na ścianie

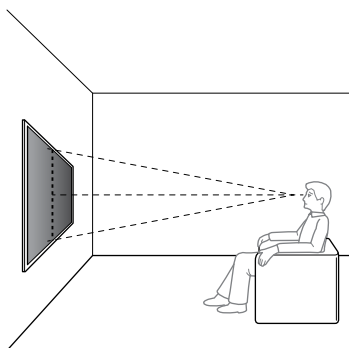
1 Wybrać miejsce montażu.

Upewnić się, że na ścianie jest wystarczająco dużo miejsca dla telewizora lub monitora LCD, a także że ściana jest w stanie unieść ciężar co najmniej czterokrotnie większy od ciężaru telewizora lub monitora LCD.

Ciężar telewizora lub monitora LCD można sprawdzić w jego Przewodniku.

Uwaga

- Po zamontowaniu telewizora lub monitora LCD na ścianie jego górna część jest lekko przechylona do przodu.
- Zalecamy sprawdzenie pozycji telewizora lub monitora LCD w miejscu oglądania.



2 Wybierz sposób montażu ściennego zgodnie z opisem poniżej.

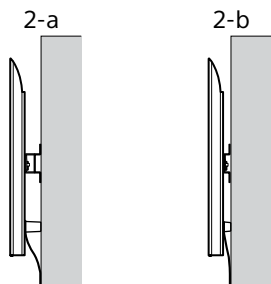
2-a: Standardowy montaż

2-b: Płaski montaż

- Patrz „Wymiary do instalacji uchwyty ściennego na ścianie” na stronie 18.

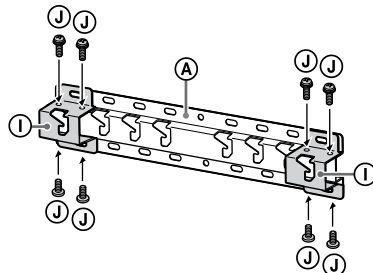
OSTRZEŻENIE

- Gdy wybrany zostanie wariant 2-b, dostęp do panelu tylnego będzie ograniczony.



3 W przypadku wyboru standardowego montażu (2-a): Zamocuj adapter podstawy ① za pomocą śruby (+PSW 4 × 10) ② do podstawy (20) ③.

- Patrz „Miejsce montażu adaptera podstawy ①” na stronie 19.



Przykład, montażu adaptera podstawy ① w miejscu „a”

W przypadku wyboru płaskiego montażu (2-b): Pomiń ten krok.

4 Określić położenia śrub do montażu podstawy (20) ④.

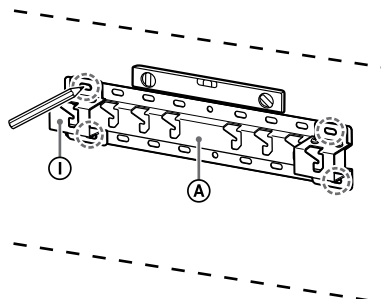
- Patrz „Specyfikacja” na stronie 17.

OSTRZEŻENIE

- Określić nośność ściany, na której ma zostać zamontowany telewizor lub monitor LCD. W razie potrzeby odpowiednio wzmocnić ścianę.
- Ściana, na której ma zostać zamontowany telewizor lub monitor LCD, musi być w stanie unieść ciężar co najmniej **czterokrotnie** większy od ciężaru telewizora lub monitora LCD. (Ciężar telewizora lub monitora LCD jest podany w jego Przewodniku).

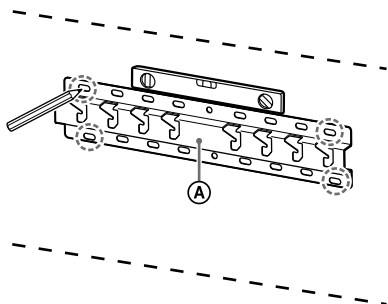
W przypadku wyboru standardowego montażu (2-a):

Użyj rozmieszczenia otworów w adapterze podstawy ①.



Przykład, oznaczenie miejsca „a” pasującego do podstawy (20) ④

W przypadku wyboru płaskiego montażu (2-b):

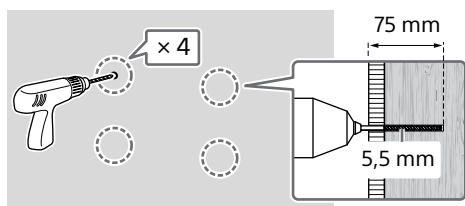


Przykład, oznaczenie miejsca „a” pasującego do podstawy (20) Ⓐ

5 Wywiercić otwory pilotowe w zaznaczonych punktach.

Upewnić się, że miejsce wywiercenia otworów w ścianie ma wytrzymałość zapewniającą uniesienie ciężaru co najmniej czterokrotnie większego od ciężaru telewizora lub monitora LCD.

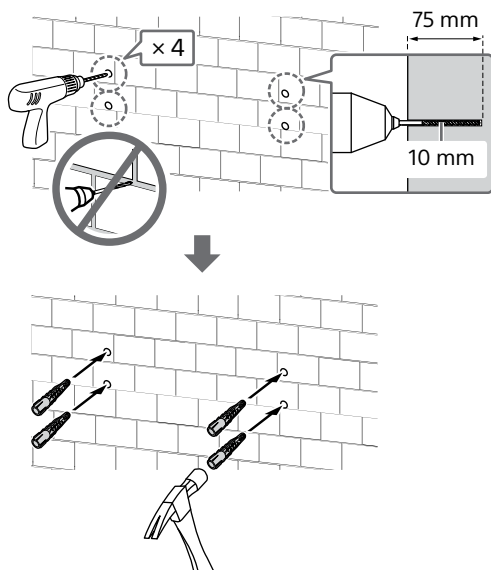
Wiercenie w płycie gipsowo-kartonowej ze stelażem:



Uwaga

- Otwory pilotażowe należy wywiercić na głębokość 75 mm za pomocą wiertła o średnicy 5,5 mm.

Wiercenie w litej ścianie z betonu lub bloczków betonowych:



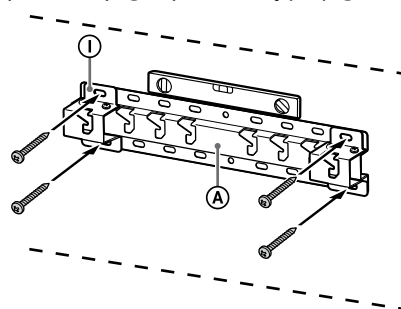
6 Zamontuj podstawę (20) Ⓐ na ścianie za pomocą odpowiednich wkrętów (nie należą do wyposażenia).

Uwaga

- Użyć czterech lub więcej śrub o średnicy 8 mm lub odpowiedników (niedostarczone).
- Użyć poziomnicy, aby sprawdzić, czy podstawa (20) Ⓐ jest wypoziomowana.

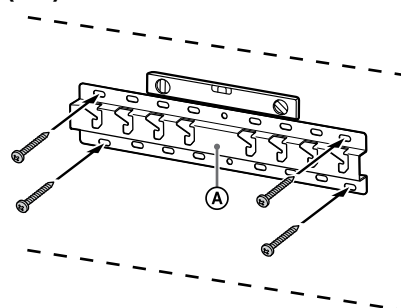
W przypadku wyboru standardowego montażu (2-a):

Wkręć cztery śruby w otwory adaptera podstawy (20) Ⓐ.



Przykład, montażu podstawy (20) Ⓐ w miejscu „a”

W przypadku wyboru płaskiego montażu (2-b):



Przykład, montażu podstawy (20) Ⓐ w miejscu „a”

7 Tylko model KD-85X8xL / 85X8xBL / 75X8xL / 75X8xBL, KM-85X8xL / 75X8xL, XR-85X9xL / 75X9xL, XRM-85X9xL / 75X9xL

Zaznacz miejsce montażu na ścianie.

Użyj taśmy maskującej lub podobnego rozwiązania (brak w zestawie), aby oznaczyć położenie telewizora lub monitora LCD w pobliżu podstawy (20) Ⓐ lub adaptera podstawy (1).

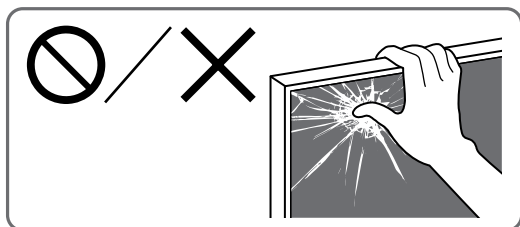
- Patrz „Oznaczenie miejsca instalacji telewizora lub monitora LCD na ścianie” na stronie 20.

Wyjątkiem modelu
KD-85X8xL / 85X8xBL /
75X8xL / 75X8xBL, KM-85X8xL /
75X8xL, XR-85X9xL / 75X9xL,
XRM-85X9xL / 75X9xL
 Pomiń ten krok.

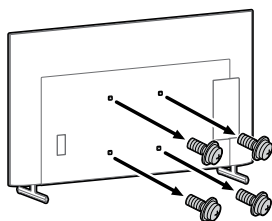
Przygotowanie do montażu telewizora lub monitora LCD

Uwaga

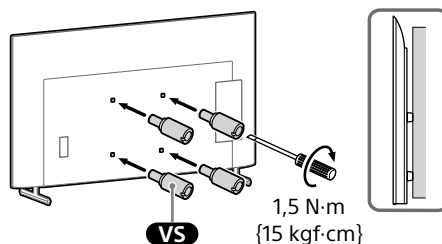
- Wykręcone śruby i niewykorzystane części przechowywać w bezpiecznym miejscu z dala od dzieci.



- 1 Przymocuj podstawę do telewizora lub monitora LCD, co pozwoli na postawienie urządzenia.
 - Patrz Przewodnik ustawień telewizora lub monitora LCD.
- 2 Odkręć śruby z tyłu telewizora lub monitora LCD.



- 3 Przymocuj uchwyt ścienny **VS** (dostarczony z telewizorem lub monitorem LCD) z tyłu telewizora lub monitora LCD (aby ustawić go równoległe do ściany).



Uwaga

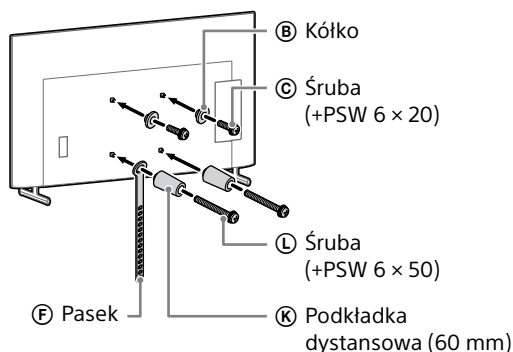
- Upewnij się, że uchwyt ścienny **VS** został solidnie przymocowany do telewizora lub monitora LCD.
- Do montażu uchwyty ściennego **VS** należy używać wyłącznie wkrętaaków płaskich. Użycie innych narzędzi może spowodować przykręcenie uchwyty ściennego **VS** ze zbyt dużym momentem dokręcania, powodując uszkodzenie telewizora lub monitora LCD.

- 4 Przymocuj elementy uchwyty dla uchwyty ściennego. Sprawdź elementy mocujące zgodnie z sekcją „Dostarczone z uchwytem SU-WL450” w rozdziale „Sprawdzenie elementów” na stronie 6.

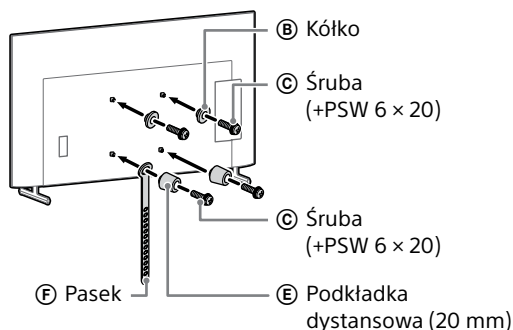
Uwaga

- Przymocuj prawidłowo elementy uchwyty za pomocą śrub.
- Jeśli używany jest śrubokręt elektryczny, należy ustawić moment obrotowy na ok. 1,5 N·m {15 kgf·cm}.

W przypadku wyboru standardowego montażu (2-a):



W przypadku wyboru płaskiego montażu (2-b):



5 Podłączyć niezbędne kable do telewizora lub monitora LCD.

Kable należy podłączyć przed zamontowaniem telewizora lub monitora LCD na ścianie. Po zamontowaniu telewizora lub monitora LCD podłączenie kabli będzie niemożliwe.

Uwaga

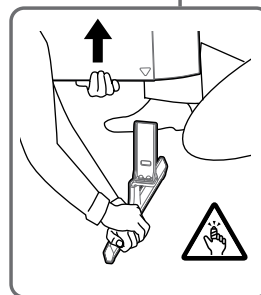
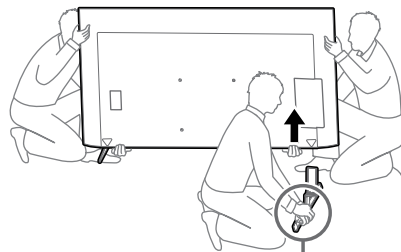
- Prowadzenie przewodów w ścianie należy zlecić licencjonowanemu kontrahentowi.
- Przed montażem na ścianie powiąż kable połączeniowe, aby zapobiec nadeźnięciu ich.

6 Odkręć podstawę od telewizora lub monitora LCD.

Poniższa ilustracja przedstawia przykład wykonania czynności.

Wyjątkiem modelu KD-75X85L / 65X85L / 65X85BL / 55X85L, KM-75X85L / 65X85L / 55X85L, XR-85X90L / 75X90L / 65X90L / 55X90L, XRM-85X90L / 75X90L / 65X90L / 55X90L

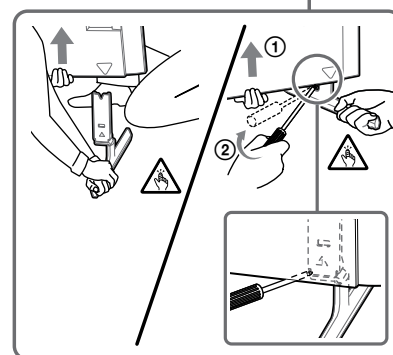
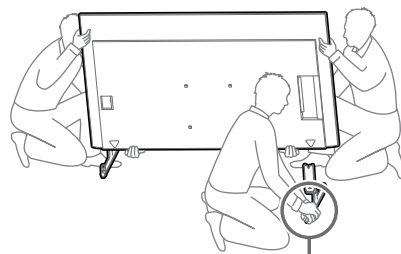
- Usuń boki podstawy pojedynczo. Chwyć podstawę mocno obiema rękami, a pozostałe osoby powinny podnieść telewizor lub monitor LCD.



- Powtórz poprzednią czynność i usuń drugi bok podstawy.

Tylko model KD-75X85L / 65X85L / 65X85BL / 55X85L, KM-75X85L / 65X85L / 55X85L

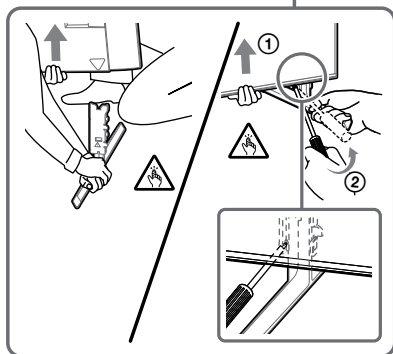
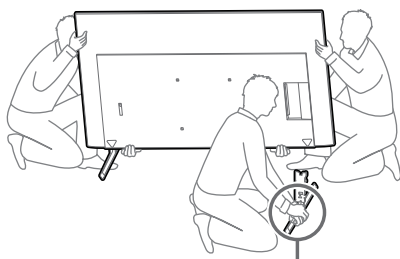
- Usuń boki podstawy pojedynczo. Chwyć podstawę mocno obiema rękami, a pozostałe osoby powinny podnieść telewizor lub monitor LCD.



- Powtórz poprzednią czynność i usuń drugi bok podstawy.

Tylko model XR-85X90L / 75X90L / 65X90L / 55X90L, XRM-85X90L / 75X90L / 65X90L / 55X90L

- Usuń boki podstawy pojedynczo. Chwyć podstawę mocno obiema rękami, a pozostałe osoby powinny podnieść telewizor lub monitor LCD.



- Powtórz poprzednią czynność i usuń drugi bok podstawy.

Uwaga

- Odłączenie podstawy wymaga współdziałania przynajmniej trzech osób.
- Należy uważać, aby nie użyć nadmiernej siły przy odłączaniu podstawy od telewizora lub monitora LCD, gdyż może to spowodować upadek telewizora lub monitora LCD i doprowadzić do obrażeń ciała lub fizycznego uszkodzenia telewizora lub monitora LCD.
- Zachować ostrożność podczas obsługi podstawy, aby uniknąć uszkodzenia telewizora lub monitora LCD.
- Zachowaj ostrożność, unosząc telewizor lub monitor LCD i odłączając podstawę. Łatwo ją można przewrócić i spowodować obrażenia.
- Uważaj podczas odłączania podstawy od telewizora lub monitora LCD, aby nie spadła i nie uszkodziła powierzchni, na której stał telewizor lub monitor LCD.

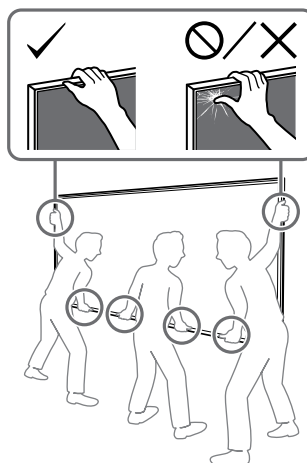
Montaż telewizora lub monitora LCD na ścianie

Tylko model KD-85X8xL / 85X8xBL / 75X8xL / 75X8xBL, KM-85X8xL / 75X8xL, XR-85X9xL / 75X9xL, XRM-85X9xL / 75X9xL

OSTRZEŻENIE

- Do przenoszenia dużego telewizora lub monitora LCD potrzeba dwóch lub więcej osób (trzech lub więcej w przypadku telewizorów lub monitorów LCD o przekątnej 189,3 cm (75 cali) lub większej) (z wyjątkiem Egiptu).

Do przenoszenia dużego telewizora lub monitora LCD potrzeba dwóch lub więcej osób (trzech lub więcej w przypadku telewizorów lub monitorów LCD o przekątnej 75 cali (189,3 cm) lub większej) (dotyczy tylko Egiptu).



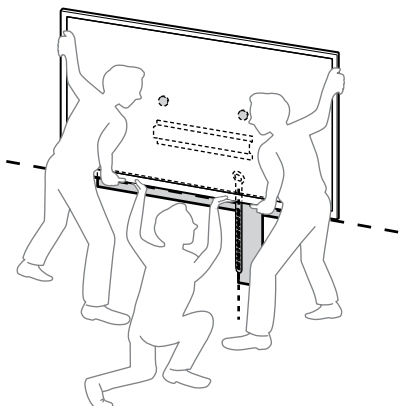
1 Unieś telewizor lub monitor LCD.

- Aby uzyskać informacje o umiejscowieniu kółek **(B)** do zawieszenia na podstawie **(20)** **(A)** lub adapterze podstawy **(1)**, patrz „Miejsce montażu adaptera podstawy **(1)**” na stronie 19.
- Dopilnuj, aby tylna ścianka telewizora lub monitora LCD dotykała podstawy **(20)** **(A)** lub adaptera podstawy **(1)** podczas trzymania telewizora lub monitora LCD.

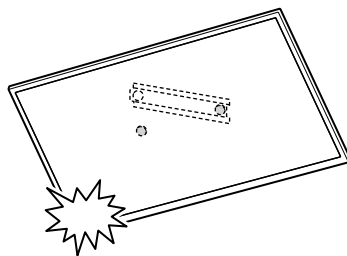
Uwaga

- Trzymaj mocno telewizor lub monitor LCD za pomocą obu rąk. Pamiętaj, aby pozycja paska **(F)** i spodu telewizora lub monitora LCD zgadzała się z oznaczeniami taśmy maskującej.

- Przenieście telewizor lub monitor LCD w trzy osoby. Ta, która jest z przodu telewizora lub monitora LCD powinna kierować pozostałymi, tak aby ustalić właściwą pozycję urządzenia.

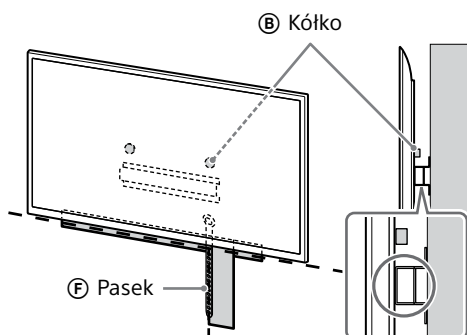


- Powoli odsuń ręce, aby mieć pewność, że telewizor lub monitor LCD nie spadnie.



- Po zamontowaniu telewizora lub monitora LCD na ścianie, zdejmij ze ściany taśmę maskującą i pozostałe oznaczenia.

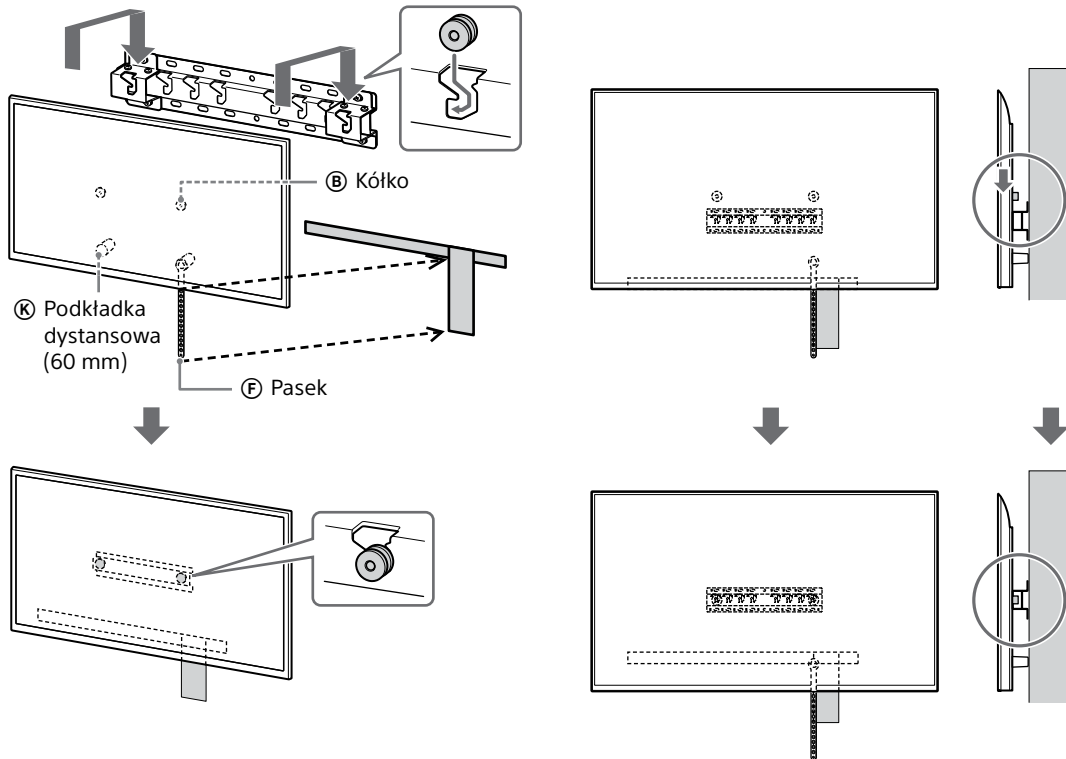
- Zachowaj najwyższą ostrożność podczas montażu telewizora lub monitora LCD na ścianie. Zwłaszcza osoba podpierająca urządzenie od spodu musi uważać, aby telewizor ani monitor LCD nie upadł, co może spowodować poważne obrażenia ciała, a nawet doprowadzić do śmierci.



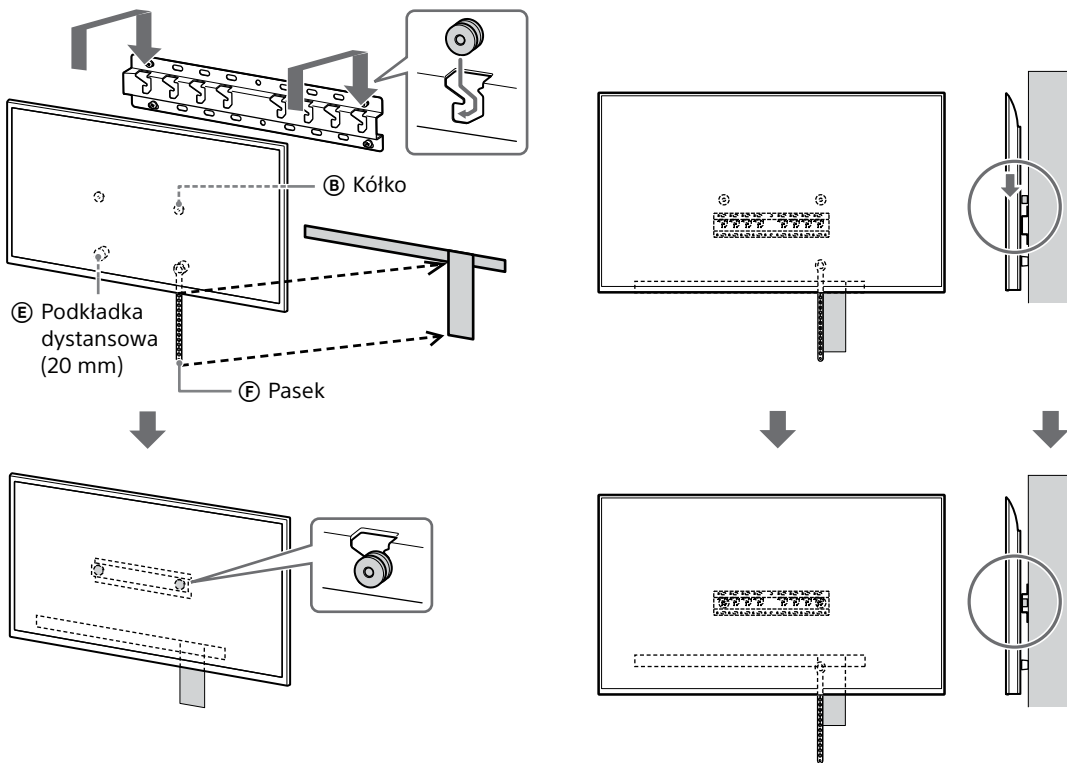
2 Zamontuj telewizor lub monitor LCD na podstawie (20) ① lub adapterze podstawy ①.

- Delikatnie wsuń telewizor lub monitor LCD w podstawę (20) ① lub adapter podstawy ① i zawieś go na kółkach ② zamocowanych w tylnej części telewizora lub monitora LCD, zgodnie z kształtem otworów.
- Po zamontowaniu telewizora lub monitora LCD na ścianie, sprawdź, czy kółka ② zostały solidnie zamocowane w podstawie (20) ① lub adapterze podstawy ①.

W przypadku wyboru standardowego montażu (2-a):

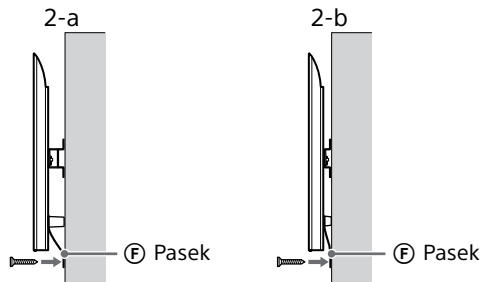


W przypadku wyboru płaskiego montażu (2-b):



3 Zapobieganie odchyłaniu się dolnej części telewizora lub monitora LCD.

- Naciągnąć pasek (F) i zamocować go mocno do ściany.



- Użyć śruby o średnicy 5 mm lub odpowiednika (niedostarczona).

Uwaga

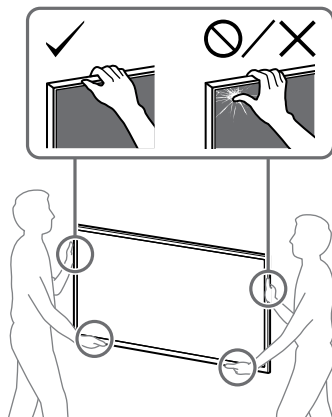
- Spróbować delikatnie pociągnąć telewizor lub monitor LCD do siebie, aby sprawdzić, czy jest on dobrze zamontowany. Jeśli urządzenie poruszy się, oznacza to, że nie jest prawidłowo zamontowane i należy mocniej naciągnąć pasek (F).

Wyjątkiem modelu KD-85X8xL / 85X8xBL / 75X8xL / 75X8xBL, KM-85X8xL / 75X8xL, XR-85X9xL / 75X9xL, XRM-85X9xL / 75X9xL

OSTRZEŻENIE

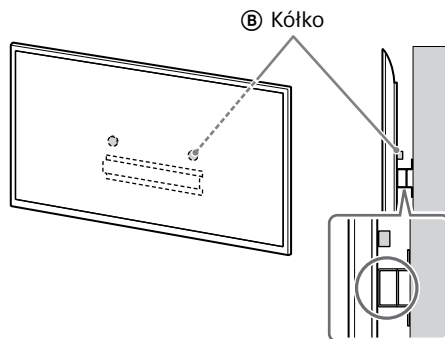
- Do przenoszenia dużego telewizora lub monitora LCD potrzeba dwóch lub więcej osób (trzech lub więcej w przypadku telewizorów lub monitorów LCD o przekątnej 189,3 cm (75 cali) lub większej) (z wyjątkiem Egiptu).

Do przenoszenia dużego telewizora lub monitora LCD potrzeba dwóch lub więcej osób (trzech lub więcej w przypadku telewizorów lub monitorów LCD o przekątnej 75 cali (189,3 cm) lub większej) (dotyczy tylko Egiptu).



1 Unieś telewizor lub monitor LCD.

- Aby uzyskać informacje o umiejscowieniu kółek (B) do zawieszenia na podstawie (20) (A) lub adapterze podstawy (1), patrz „Miejsce montażu adaptera podstawy (1)” na stronie 19.
- Dopilnuj, aby tylna ścianka telewizora lub monitora LCD dotykała podstawy (20) (A) lub adaptera podstawy (1) podczas trzymania telewizora lub monitora LCD.

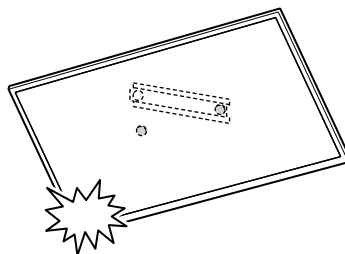


Uwaga

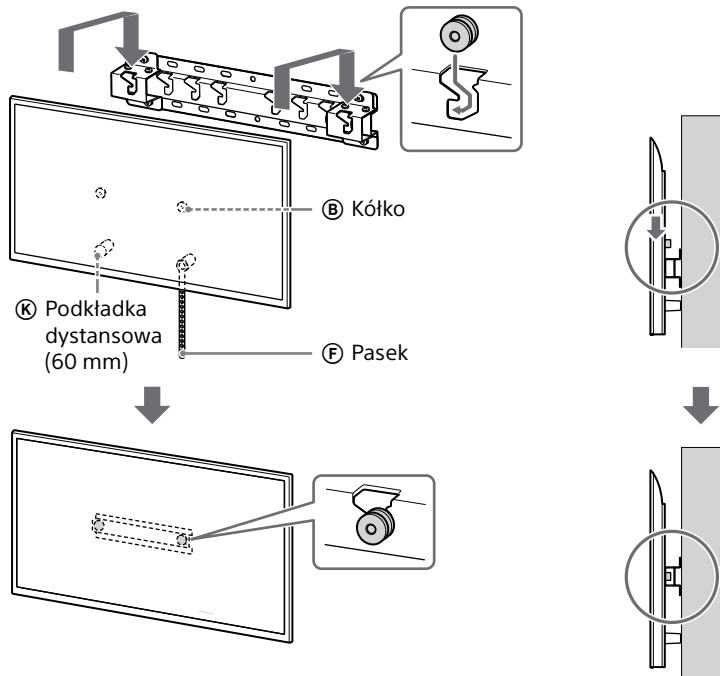
- Trzymaj mocno telewizor lub monitor LCD za pomocą obu rąk.

2 Zamontuj telewizor lub monitor LCD na podstawie (20) (A) lub adapterze podstawy (1).

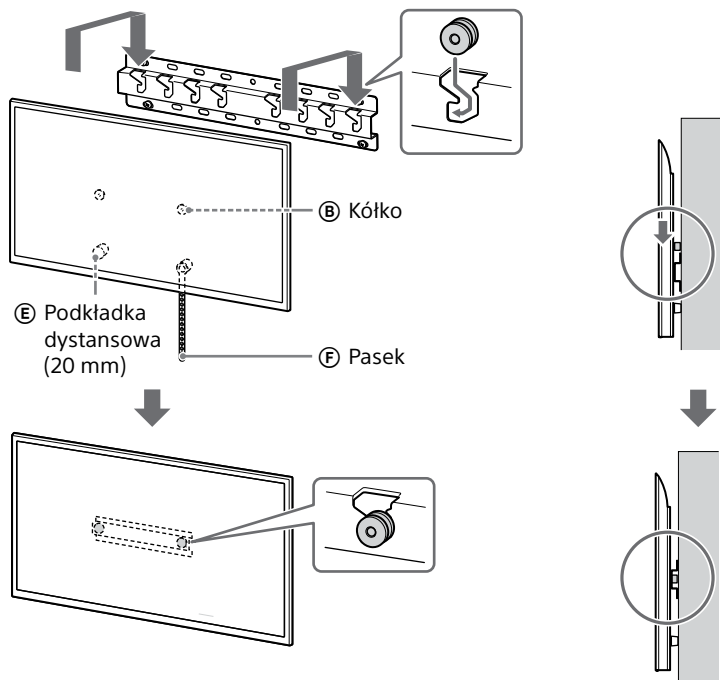
- Delikatnie wsuń telewizor lub monitor LCD w podstawę (20) (A) lub adapter podstawy (1) i zawieś go na kółkach (B) zamocowanych w tylnej części telewizora lub monitora LCD, zgodnie z kształtem otworów.
- Po zamontowaniu telewizora lub monitora LCD na ścianie, sprawdź, czy kółka (B) zostały solidnie zamocowane w podstawie (20) (A) lub adapterze podstawy (1).
- Powoli odsuń ręce, aby mieć pewność, że telewizor lub monitor LCD nie spadnie.



W przypadku wyboru standardowego montażu (2-a):

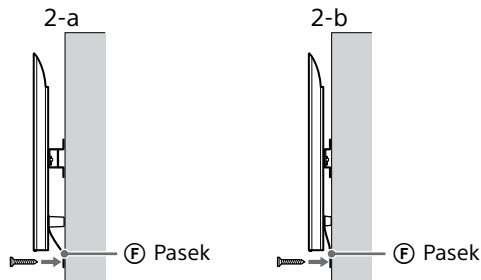


W przypadku wyboru płaskiego montażu (2-b):



3 Zapobieganie odchyłaniu się dolnej części telewizora lub monitora LCD.

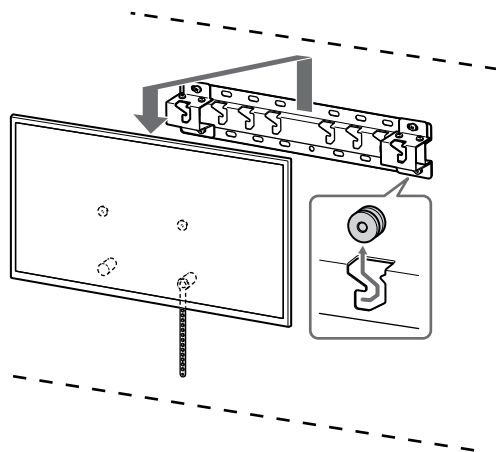
- Naciągnąć pasek (F) i zamocować go mocno do ściany.



- Użyć śruby o średnicy 5 mm lub odpowiednika (niedostarczona).

Uwaga

- Spróbować delikatnie pociągnąć telewizor lub monitor LCD do siebie, aby sprawdzić, czy jest on dobrze zamontowany. Jeśli urządzenie poruszy się, oznacza to, że nie jest prawidłowo zamontowane i należy mocniej naciągnąć pasek (F).



OSTRZEŻENIE

- Do przenoszenia dużego telewizora lub monitora LCD potrzeba dwóch lub więcej osób (trzech lub więcej w przypadku telewizorów lub monitorów LCD o przekątnej 189,3 cm (75 cali) lub większej) (z wyjątkiem Egiptu).

Do przenoszenia dużego telewizora lub monitora LCD potrzeba dwóch lub więcej osób (trzech lub więcej w przypadku telewizorów lub monitorów LCD o przekątnej 75 cali (189,3 cm) lub większej) (dotyczy tylko Egiptu).

Sprawdzenie kompletności montażu

Sprawdzić następujące pozycje.

- Czy kółka (B) są pewnie osadzone w podstawie (20) (A) lub adapterze podstawy (1).
- Czy przewód i kable nie są skręcone ani zaciśnięte.
- Czy pasek (F) nie jest luźny.

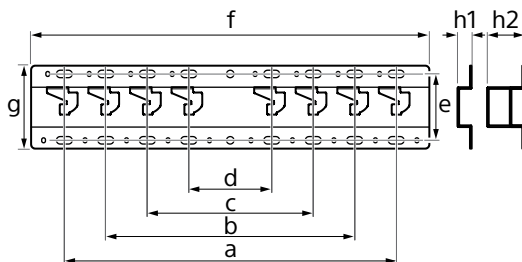
OSTRZEŻENIE

- Nieprawidłowe umieszczenie przewodu zasilającego itp. może spowodować pożar lub porażenie prądem elektrycznym na skutek zwarcia. Ze względów bezpieczeństwa należy sprawdzić kompletność montażu.

Pozostałe informacje

W celu zdemontowania telewizora lub monitora LCD należy wykonać procedurę montażu w odwrotnej kolejności.

Specyfikacja



Wymiary: (ok.) [mm]

- a : 400
- b : 300
- c : 200
- d : 100
- e : 80
- f : 480
- g : 100

h1 : 20 (do płaskiego montażu, 2-b)

h2 : 60 (do standardowego montażu, 2-a)

Ciężar (tylko podstawa): (ok.) [kg]

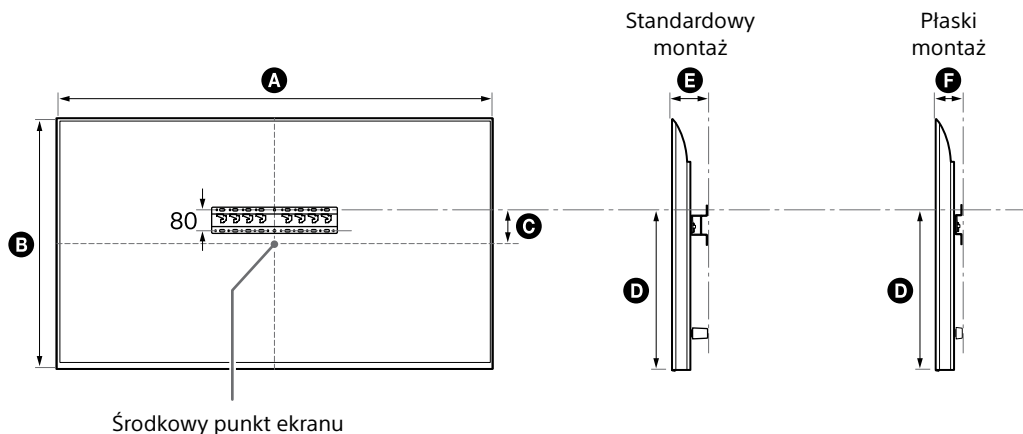
0,8

Konstrukcja i specyfikacja mogą ulec zmianie bez uprzedzenia.

Materiały pomocnicze

Wymiary do instalacji uchwytu ściennego na ścianie

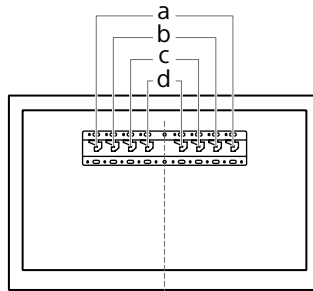
Wartości podane w tabeli mogą się różnić minimalnie w zależności od instalacji.



(mm)

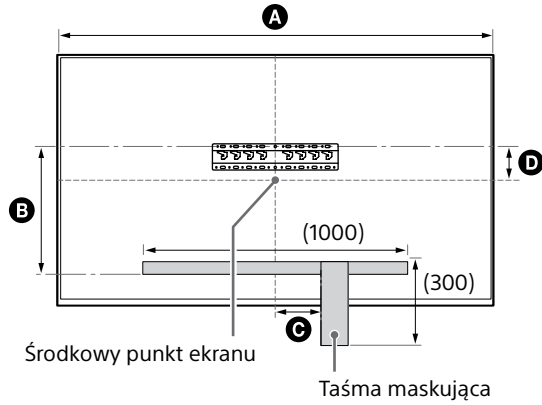
Nazwa modelu	A	B	C	D	E	F
KD-85X81BL / 85X80L KM-85X80L	1901	1090	43	592	138	96
XR-85X90L XRM-85X90L	1891	1085	58	607	125	83
KD-75X85L KM-75X85L	1671	960	21	508	123	81
KD-75X81BL / 75X80L KM-75X80L	1675	962	12	493	137	95
XR-75X90L XRM-75X90L	1668	959	21	508	123	81
KD-65X85L / 65X85BL KM-65X85L	1447	832	85	505	123	81
KD-65X81BL / 65X80L KM-65X80L	1452	836	76	494	135	93
XR-65X90L XRM-65X90L	1445	831	85	505	123	81
KD-55X85L KM-55X85L	1228	709	146	505	122	81
KD-55X81BL / 55X80L KM-55X80L	1233	713	133	494	135	93
XR-55X90L XRM-55X90L	1225	707	146	505	122	81
KD-50X80L KM-50X80L	1119	649	63	392	133	91
KD-43X80L KM-43X80L	964	563	111	392	133	91

Miejsce montażu adaptera podstawy ①



Nazwa modelu	Położenie haka	Nazwa modelu	Położenie haka
KD-85X81BL / 85X80L KM-85X80L XR-85X90L XRM-85X90L	a	KD-55X85L / 55X81BL / 55X80L KM-55X85L / 55X80L XR-55X90L XRM-55X90L	b
KD-75X85L / 75X81BL / 75X80L KM-75X85L / 75X80L XR-75X90L XRM-75X90L	b	KD-50X80L KM-50X80L	c
KD-65X85L / 65X85BL / 65X81BL / 65X80L KM-65X85L / 65X80L XR-65X90L XRM-65X90L	b	KD-43X80L KM-43X80L	c

Oznaczenie miejsca instalacji telewizora lub monitora LCD na ścianie



(mm)

Nazwa modelu	A	B	C	D
KD-85X81BL / 85X80L KM-85X80L	1901	472	200	43
XR-85X90L XRM-85X90L	1891	486	200	58
KD-75X85L KM-75X85L	1671	388	150	21
KD-75X81BL / 75X80L KM-75X80L	1675	373	150	12
XR-75X90L XRM-75X90L	1668	388	150	21

Informações de instalação para Utilizar o Suporte de parede Sony (SU-WL450)

Modelos suportados*:

* Nos nomes de modelos actuais, o "x"/"xx" indica números e/ou caracteres específicos a cada modelo.

KD-85X8xL / 85X8xBL / 75X8xL / 75X8xBL / 65X8xL / 65X8xBL / 55X8xL / 55X8xBL / 50X8xL / 43X8xL

KM-85X8xL / 75X8xL / 65X8xL / 55X8xL / 50X8xL / 43X8xL

XR-85X9xL / 75X9xL / 65X9xL / 55X9xL

XRM-85X9xL / 75X9xL / 65X9xL / 55X9xL

Para os clientes

Para proteção do produto e por motivos de segurança, a Sony recomenda vivamente que a instalação do seu Televisor ou Monitor LCD seja efetuada por agentes ou técnicos licenciados da Sony. Não tente instalá-lo sozinho.

Para os agentes e técnicos da Sony

Deve ser dada total atenção à segurança durante a instalação, durante qualquer manutenção periódica e durante qualquer verificação deste produto.

É necessário ter experiência suficiente para instalar este produto, especialmente para determinar se a parede tem robustez suficiente para suportar o peso do Televisor ou Monitor LCD. Certifique-se de que confia a instalação deste produto numa parede a agentes ou técnicos licenciados da Sony e dê a devida atenção à segurança durante a instalação. A Sony não poderá ser responsabilizada por quaisquer danos ou ferimentos causados por manuseamento incorreto ou instalação incorreta.

Para Segurança e instalação adequadas, siga as Instruções de Funcionamento do Suporte de parede, Guia de configuração do Televisor ou Monitor LCD e as indicações neste manual.

Suporte de parede

Segurança

Obrigado por ter adquirido este produto.

Para os clientes

Instalar o Televisor ou Monitor LCD na parede



A INSTALAÇÃO TEM DE SER EFETUADA POR UM PROFISSIONAL

Este produto tem de ser instalado por um instalador profissional que tenha a formação adequada para determinar se a parede tem resistência suficiente para suportar o peso do Televisor ou Monitor LCD. Se o Televisor ou Monitor LCD não for fixado corretamente durante a instalação, poderá cair e causar ferimentos graves. A Sony não poderá ser responsabilizada por quaisquer danos ou ferimentos causados por manuseamento incorreto ou instalação imprópria, nem pela instalação de um produto diferente do especificado. Os seus Direitos Estatutários (se existirem) não são afectados.

Para os Agentes da Sony

É necessária uma formação técnica adequada para instalar este produto. Leia atentamente este manual de instruções para efectuar a instalação com segurança. A Sony não se responsabiliza por quaisquer danos ou ferimentos causados pela utilização indevida ou instalação incorrecta. Após a instalação, entregue este manual de instruções ao cliente.

Este manual de instruções descreve as precauções importantes necessárias para evitar acidentes e utilizar o produto de forma correcta. O utilizador é responsável por ler, compreender totalmente e seguir todas as instruções deste manual de instruções. Se não o fizer, pode provocar ferimentos graves em pessoas e danos materiais que podem anular a garantia. Guarde este manual para futuras consultas.

Os produtos da Sony são concebidos para oferecer a máxima segurança. No entanto, se utilizados de forma incorrecta, podem provocar ferimentos graves através de incêndio, choque eléctrico ou queda. Para evitar esse tipo de acidentes, respeite as precauções de segurança.

CUIDADO

Produtos especificados

Este Suporte de parede foi concebido para ser utilizado apenas com o Televisor ou Monitor LCD especificado. Para Televisores ou Monitores LCD, consulte o Guia de referência para verificar se o Suporte de parede pode ser utilizado.

Para os clientes

AVISO

O não cumprimento das precauções indicadas abaixo, pode provocar a morte ou ferimentos graves através de incêndio, choque eléctrico ou queda do produto.

Certifique-se de que a instalação é efectuada por representantes autorizados e mantenha as crianças afastadas do local durante a instalação.

Se o Suporte de parede ou o Televisor ou Monitor LCD não forem instalados corretamente, podem ocorrer os seguintes acidentes. Certifique-se de que a instalação é efectuada por técnicos qualificados.

- O Televisor ou Monitor LCD pode cair e provocar ferimentos graves, como equimoses ou fracturas.
- Se a parede onde o Suporte de parede está instalado for instável, irregular ou não estiver perpendicular ao chão, o aparelho pode cair e provocar ferimentos ou danos materiais. A parede deve ser suficientemente forte para suportar um peso, no mínimo, quatro vezes superior ao do Televisor ou Monitor LCD. (Consulte o Guia de referência do Televisor ou Monitor LCD quanto ao respetivo peso.)
- Se a instalação do Suporte de parede não for suficientemente sólida, o aparelho pode cair e provocar ferimentos ou danos materiais.

Contrate técnicos qualificados para o transporte e desmontagem do Televisor ou Monitor LCD.

Se o transporte ou montagem for feito por pessoas que não os técnicos qualificados, o Televisor ou Monitor LCD pode cair e provocar ferimentos ou danos materiais. São necessárias duas ou mais pessoas (três ou mais pessoas para um Televisor ou Monitor LCD de 189,3 cm (75 polegadas) e maiores) para transportar um Televisor ou Monitor LCD de tamanho grande (exceto para o Egito). São necessárias duas ou mais pessoas (três ou mais pessoas para um Televisor ou Monitor LCD de 75 polegadas (189,3 cm) e maiores) para transportar um Televisor ou Monitor LCD de tamanho grande (apenas para o Egito).

Não retire os parafusos, etc., após a desmontagem do Televisor ou Monitor LCD.

Se o fizer, o Televisor ou Monitor LCD pode cair e provocar ferimentos ou danos materiais.

Não faça quaisquer alterações nas peças do Suporte de parede.

Se o fizer, o Suporte de parede pode cair e provocar ferimentos ou danos materiais.

Não instale um equipamento diferente do especificado no suporte.

Este Suporte de parede foi concebido para ser utilizado apenas com o produto especificado. A instalação de qualquer outro equipamento pode resultar em queda ou quebra e provocar danos materiais ou ferimentos.

Não coloque nenhuma carga para além do Televisor ou Monitor LCD no Suporte de parede. Não agite o Televisor ou Monitor LCD para a esquerda/para a direita, para cima/para baixo.

Se o fizer, o Televisor ou Monitor LCD pode cair e provocar ferimentos ou danos materiais.

Não se encoste nem se pendure no Televisor ou Monitor LCD.

Não se encoste nem se pendure no Televisor ou Monitor LCD, pois este pode cair e provocar ferimentos graves.

CUIDADO

Se as seguintes precauções não forem observadas, poderão ocorrer ferimentos ou danos materiais.

- Certifique-se de que guarda as peças não utilizadas num local seguro para futura utilização. Mantenha-as afastadas de crianças.

Não faça demasiada força durante a limpeza ou manutenção do produto.

Não faça demasiada força na parte superior do Televisor ou Monitor LCD. Se o fizer, o Televisor ou Monitor LCD pode cair e provocar ferimentos ou danos materiais.

Precauções

- Se utilizar o Televisor ou Monitor LCD instalado no Suporte de parede durante muito tempo, a parede por trás ou por cima do Televisor ou Monitor LCD pode perder a cor e o papel de parede pode descolar-se, dependendo do material da parede.
- Se retirar o Suporte de parede depois de o instalar, os orifícios do parafuso ficam na parede.
- Não utilize o Suporte de parede num local num local sujeito a vibrações mecânicas.

Instalar o Suporte de parede

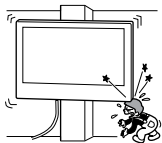
Para os Agentes da Sony

AVISO

As seguintes instruções destinam-se apenas aos agentes da Sony. Leia as precauções de segurança na íntegra e preste muita atenção às medidas de segurança que é preciso respeitar durante a instalação, manutenção e verificação deste produto.

Não instale o Suporte de parede em que os cantos ou os lados do Televisor ou Monitor LCD fiquem afastados da parede.

Não instale o Suporte de parede em colunas em que os cantos ou os lados do Televisor ou Monitor LCD fiquem afastados da parede. Se uma pessoa ou objeto embaterem no canto ou lado saliente do Televisor ou Monitor LCD, isso pode provocar ferimentos ou danos materiais.

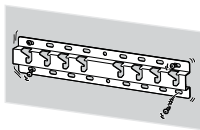


Não instale o Televisor ou Monitor LCD por cima ou por baixo de um aparelho de ar condicionado.

Se o Televisor ou Monitor LCD ficar exposto a fugas de água ou correntes de ar do aparelho de ar condicionado durante muito tempo, pode ocorrer um incêndio, um choque elétrico ou uma avaria do Televisor ou Monitor LCD.

Instale o Suporte de parede com firmeza seguindo as indicações deste manual de instruções.

Se algum dos parafusos estiver solto ou cair, o Suporte de parede pode cair e provocar ferimentos ou danos materiais. Utilize os parafusos adequados ao material de que é feita a parede e fixe bem o suporte com quatro ou mais parafusos de 8 mm de diâmetro (ou equivalentes).



Utilize os parafusos e os acessórios fornecidos conforme as indicações deste manual de instruções. Se utilizar outros acessórios, o Televisor ou Monitor LCD pode cair e provocar ferimentos a alguém ou danos materiais no próprio Televisor ou Monitor LCD.

Monte o suporte corretamente, seguindo o procedimento explicado neste manual de instruções.

Se um dos parafusos se soltar ou cair, o Televisor ou Monitor LCD pode cair e provocar ferimentos a alguém ou danos materiais no Televisor ou Monitor LCD.

Aperte bem os parafusos na posição correta.

Se não o fizer, o Televisor ou Monitor LCD pode cair e ferir alguém ou ficar danificado.

Não submeta o Televisor ou Monitor LCD a qualquer choque durante a instalação.

Se o Televisor ou Monitor LCD sofrer choques, pode cair ou partir-se. O que pode provocar ferimentos.

Instale o Televisor ou Monitor LCD numa parede perpendicular e plana.

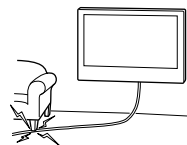
Se não o fizer, o Televisor ou Monitor LCD pode cair e provocar ferimentos.

Depois de instalar corretamente o Televisor ou Monitor LCD, fixe bem os cabos.

Se as pessoas ou objetos ficarem emaranhados nos cabos, podem ferir-se ou danificar o Televisor ou o Monitor LCD.

Não deixe o cabo de alimentação CA, nem o cabo de ligação ficarem trilhados.

Se o cabo de alimentação CA ou o cabo de ligação ficar trilhado entre o aparelho e a parede ou se os dobrar ou torcer à força, os condutores internos podem ficar à vista e provocar um curto-circuito ou a quebra do cabo elétrico. Pode provocar um incêndio ou choque elétrico.



Os parafusos necessários para fixar o Suporte de parede não estão incluídos.

Utilize os parafusos apropriados para o material de que é feita a parede e para a estrutura quando instalar o Suporte de parede.

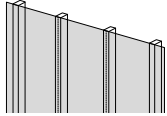
Antes de começar

- As ilustrações de Televisor ou Monitor LCD mostradas neste manual são exemplos utilizados para proporcionar explicações claras das operações. Por este motivo, as ilustrações podem parecer diferentes do Televisor ou Monitor LCD real.

Qual é o material da sua parede?

Comece por verificar qual é o tipo de parede em que vai instalar o Televisor ou Monitor LCD.

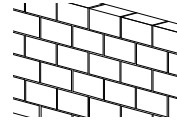
Parede de gesso com barrotes



Precauções

- Espessura máxima da parede de gesso: 16 mm.
- Certifique-se de que a dimensão dos barrotes de madeira interiores é igual ou superior a 51 mm × 102 mm em termos comuns ou 38 mm × 89 mm em termos nominais.

Betão armado ou blocos de betão



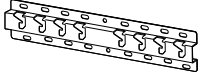








Precauções

- No caso de betão armado, monte o Suporte de parede diretamente na parede.
- Certifique-se de que a espessura da parede de betão armado é igual ou superior a 203 mm.
- Certifique-se de que a dimensão de cada bloco de betão é igual ou superior a 203 mm × 203 mm × 406 mm.




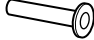

Verificação das peças

Fornecido com o SU-WL450


- Verifique se todas as peças estão incluídas.

<p>Ⓐ Base (20) (x1)</p> 	<p>Ⓑ Polia (x2)</p> 	<p>Ⓒ Parafuso (+PSW 6 x 20) (x4)</p> 	<p>Ⓔ Espaçador (20 mm) (x2)</p> 
<p>Ⓕ Cinta (x1)</p> 	<p>Ⓘ Adaptador de Base (x2)</p> 	<p>Ⓙ Parafuso (+PSW 4 x 10) (x8)</p> 	<p>Ⓚ Espaçador (60 mm) (x2)</p> 
<p>Ⓛ Parafuso (+PSW 6 x 50) (x2)</p> 			

- Estas peças podem não ser adequadas para utilização em seu modelo.

<p>Ⓓ Parafuso (+PSW 4 x 20) com anilha (x2)</p> 	<p>Ⓞ Anilha (20) (M4) (x2)</p> 	<p>Ⓢ Parafuso (+PSW 4 x 20) (x2)</p> 	<p>Ⓜ Anilha (M4) (x2)</p> 
<p>Ⓝ Parafuso (+PSW 4 x 50) (x2)</p> 			



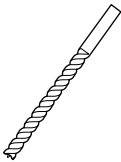
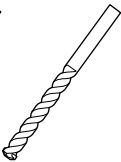

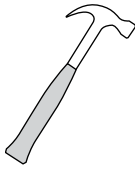
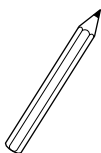
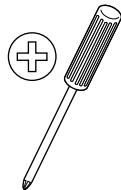
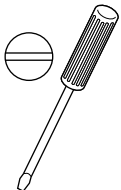
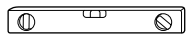




Fornecida com o Televisor ou Monitor LCD

<p>Acessórios de parede VS (x4)*</p> 
--

- * Apenas para determinadas regiões/países/modelos.

Preparar a instalação

- Tenha o Guia de referência do Televisor ou Monitor LCD e o Guia de configuração à mão antes da instalação.
- Confirme a posição de instalação do seu Televisor ou Monitor LCD.
- Prepare quatro ou mais parafusos de 8 mm de diâmetro e um parafuso de 5 mm ou equivalente (não fornecido). Escolha parafusos adequados para o material da parede.
- Prepare as seguintes ferramentas:

*1 		 5,5 mm	 10 mm	
*2 		 1,5 N·m {15 kgf·cm}	*3  1,5 N·m {15 kgf·cm}	
	*2  (x4)	 (x4) 8 mm x 60 mm	 5 mm	
*4 				

*1 Apenas no caso de parede de gesso com barrotes



*2 Apenas no caso de parede de betão armado ou blocos de betão

*3 Dependendo dos modelos

*4 Apenas para Televisor ou Monitor LCD de 189,3 cm (75 polegadas) e acima (exceto para o Egito)
Apenas para Televisor ou Monitor LCD de 75 polegadas (189,3 cm) e acima (apenas para o Egito)

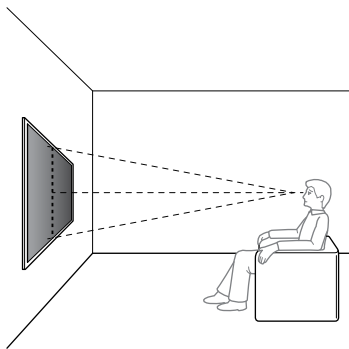
Instalar o Suporte de parede na parede

1 Decida sobre a localização da instalação.

Certifique-se de que a parede tem espaço suficiente para o Televisor ou Monitor LCD e que consegue suportar o quádruplo do peso do Televisor ou Monitor LCD. Consulte o Guia de referência do Televisor ou Monitor LCD para saber qual é o peso do Televisor ou Monitor LCD.

Nota

- Quando o Televisor ou Monitor LCD estiver instalado na parede, a parte superior do Televisor ou Monitor LCD ficará ligeiramente inclinada para a frente.
- Recomendamos que verifique a posição do Televisor ou Monitor LCD no ambiente de visualização.



2 Selecione o estilo de montagem na parede como mostrado abaixo.

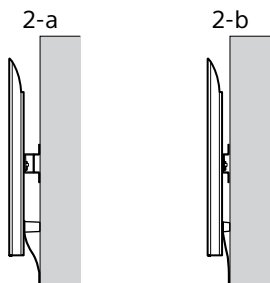
2-a: Montagem padrão

2-b: Montagem curta

- Consulte "Medição para a instalação do Suporte de Parede na parede" na página 18.

AVISO

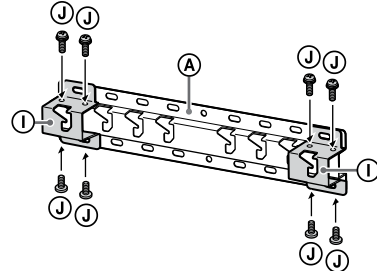
- Quando selecionar 2-b, o acesso ao terminal posterior é limitado.



3 Se a montagem padrão (2-a) for selecionada:

Instale o Adaptador de Base ① utilizando o Parafuso (+PSW 4 × 10) ② na Base (20) ③.

- Consulte "Localização de instalação do Adaptador de Base ①" na página 19.



Ex., instalação do Adaptador de Base ① no local "a"

Se a montagem curta (2-b) for selecionada:

Salte este passo.

4 Decida as posições dos parafusos para instalar a Base (20) ④.

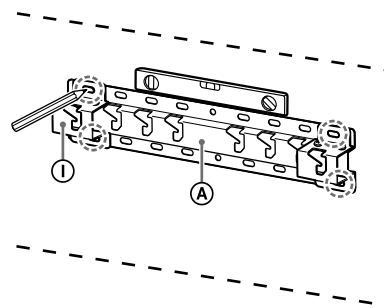
- Consulte "Especificações" na página 17.

AVISO

- Determine a resistência da parede em que será instalado o Televisor ou Monitor LCD. Se necessário, reforce a parede.
- A parede na qual o Televisor ou Monitor LCD será instalado deve ser capaz de suportar um peso **quatro vezes** superior ao peso do Televisor ou Monitor LCD. (Consulte o Guia de referência do Televisor ou Monitor LCD quanto ao respetivo peso.)

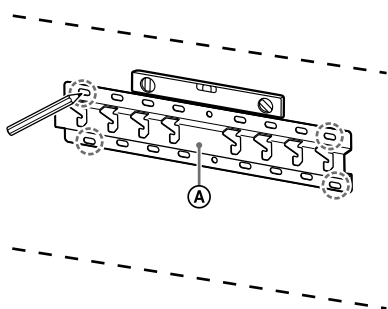
Se a montagem padrão (2-a) for selecionada:

Utilize as posições de orifício do Adaptador de Base ①.



Ex., marcação no local "a" para instalar a Base (20) ④

Se a montagem curta (2-b) for selecionada:

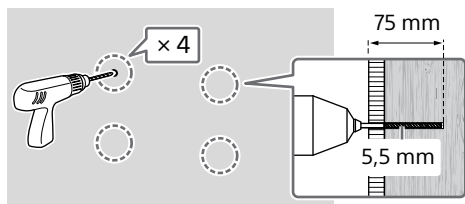


Ex., marcação no local "a" para instalar a Base (20) (A)

5 Perfure orifícios piloto nas marcas.

Certifique-se de que a localização na parede a ser perfurada é forte o suficiente para suportar um peso de pelo menos quatro vezes o peso do Televisor ou Monitor LCD.

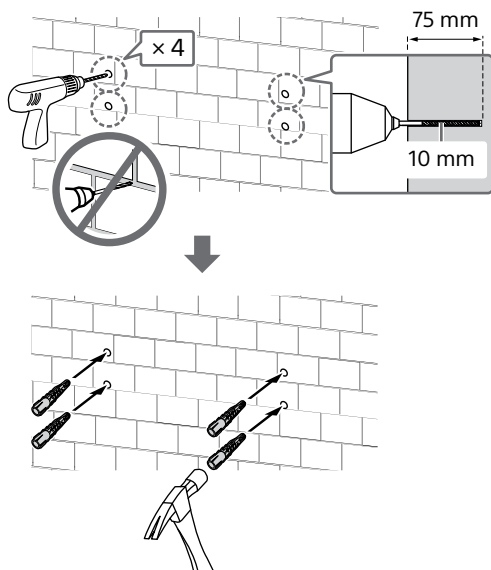
Perfuração em parede de gesso com barrotes:



Nota

- Os orifícios piloto devem ter 75 mm de profundidade e devem ser perfurados com uma broca de 5,5 mm de diâmetro.

Perfuração em betão armado ou blocos de betão:



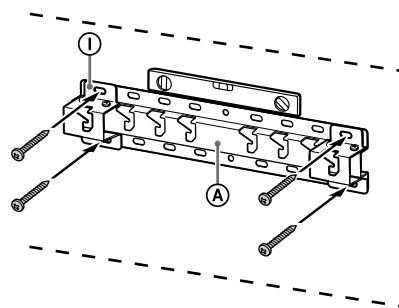
6 Instale a Base (20) (A) na parede com os parafusos adequados (não fornecidos).

Nota

- Utilize quatro ou mais parafusos de 8 mm de diâmetro ou equivalente (não fornecido).
- Utilize um nível para verificar se a Base (20) (A) está nivelada.

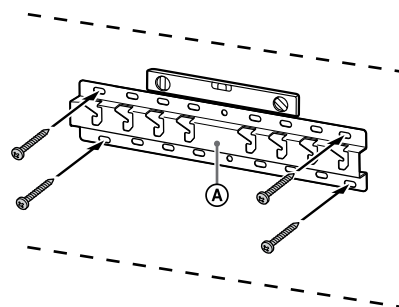
Se a montagem padrão (2-a) for selecionada:

Instale quatro parafusos nos orifícios do Adaptador da Base (1) com a Base (20) (A).



Ex., instalação da Base (20) (A) no local "a"

Se a montagem curta (2-b) for selecionada:



Ex., instalação da Base (20) (A) no local "a"

7 Apenas nos modelos KD-85X8xL / 85X8xBL / 75X8xL / 75X8xBL, KM-85X8xL / 75X8xL, XR-85X9xL / 75X9xL, XRM-85X9xL / 75X9xL

Marque a localização da instalação na parede.

Utilize fita de pintura, etc. (não fornecida) para marcar a localização do Televisor ou Monitor LCD perto da Base (20) (A) ou Adaptador de Base (1).

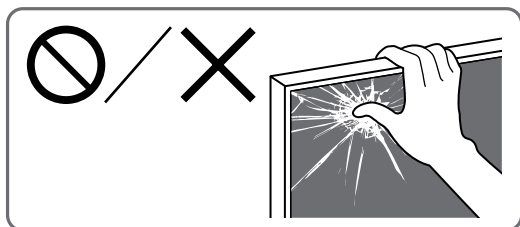
- Consulte "Marcação na parede para localização de instalação do Televisor ou Monitor LCD" na página 20.

Exceto para KD-85X8xL / 85X8xBL / 75X8xL / 75X8xBL, KM-85X8xL / 75X8xL, XR-85X9xL / 75X9xL, XRM-85X9xL / 75X9xL
Salte este passo.

Preparar a instalação do Televisor ou Monitor LCD

Nota

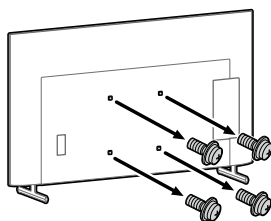
- Certifique-se de que guarda os parafusos retirados e peças não utilizadas num lugar seguro e fora do alcance de crianças.



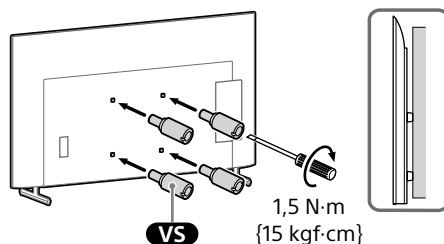
1 Instale o Suporte de Mesa para colocar o Televisor ou Monitor LCD.

- Consulte o Guia de configuração do Televisor ou Monitor LCD.

2 Remova os parafusos da parte de trás do Televisor ou Monitor LCD.



3 Instale os Acessórios de parede **VS** (fornecidos com o Televisor ou Monitor LCD) na parte de trás do Televisor ou Monitor LCD (para ficar paralelo à parede).



Nota

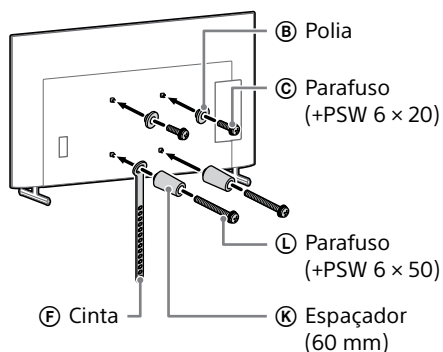
- Certifique-se de que aperta os Acessórios de parede **VS** quando os fixar ao Televisor ou Monitor LCD.
Utilize apenas uma chave de fendas de ponta chata para instalar os Acessórios de parede **VS**. A utilização de outra ferramenta pode resultar num excesso de binário de aperto dos Acessórios de parede **VS** e danificar o Televisor ou Monitor LCD.

4 Instale as peças de fixação do Suporte de Parede. Verifique as peças de fixação consultando “Fornecido com o SU-WL450” em “Verificação das peças” na página 6.

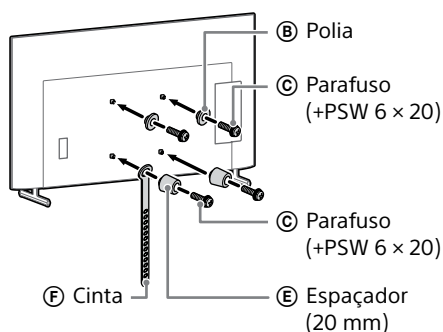
Nota

- Aperte firmemente as peças de fixação utilizando parafusos.
- Quando utilizar uma chave de parafusos elétrica, configure o binário de aperto para aproximadamente 1,5 N-m {15 kgf.cm}.

Se a montagem padrão (2-a) for selecionada:



Se a montagem curta (2-b) for selecionada:



5 Ligue o(s) cabo(s) necessário(s) ao Televisor ou Monitor LCD.

Certifique-se de que liga os cabos antes de instalar o Televisor ou Monitor LCD na parede. Não poderá ligar os cabos quando o Televisor ou Monitor LCD estiver instalado.

Nota

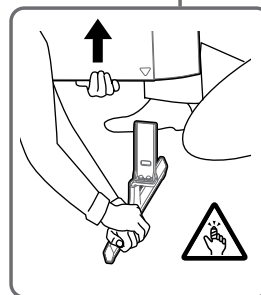
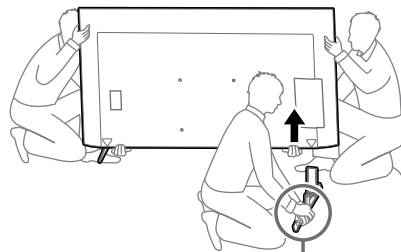
- Certifique-se de que o encaminhamento dos cabos ao longo da parede é efectuado por agentes autorizados.
- Junte os cabos de ligação para evitar tropeçar neles antes da montagem na parede.

6 Separe o Suporte de Fixação para Mesas do Televisor ou Monitor LCD.

A seguinte ilustração é um exemplo da operação.

Exceto para KD-75X85L / 65X85L / 65X85BL / 55X85L, KM-75X85L / 65X85L / 55X85L, XR-85X90L / 75X90L / 65X90L / 55X90L, XRM-85X90L / 75X90L / 65X90L / 55X90L

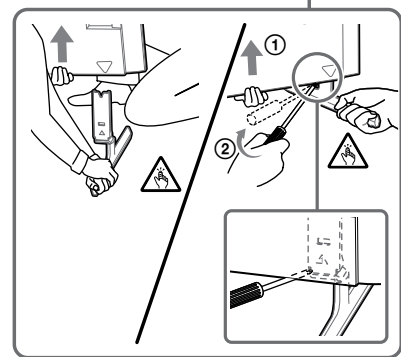
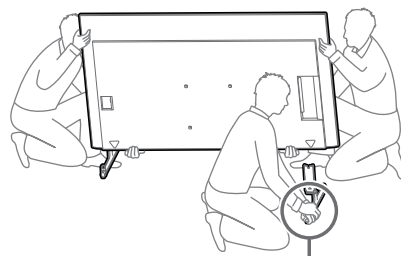
- Remova um lado do Suporte de Mesa de cada vez. Firmemente segure no Suporte de Mesa com ambas as mãos enquanto outra pessoa levanta o Televisor ou Monitor LCD.



- Repita o passo anterior e remova o outro lado do Suporte de Mesa.

Apenas nos modelos KD-75X85L / 65X85L / 65X85BL / 55X85L, KM-75X85L / 65X85L / 55X85L

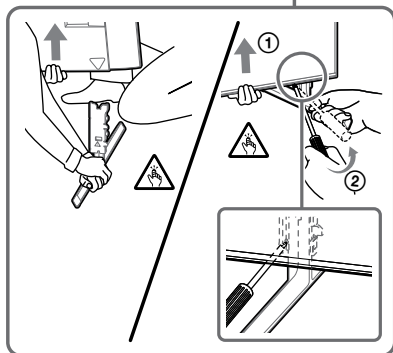
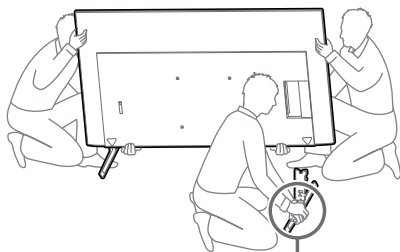
- Remova um lado do Suporte de Mesa de cada vez. Firmemente segure no Suporte de Mesa com ambas as mãos enquanto outra pessoa levanta o Televisor ou Monitor LCD.



- Repita o passo anterior e remova o outro lado do Suporte de Mesa.

Apenas nos modelos XR-85X90L / 75X90L / 65X90L / 55X90L, XRM-85X90L / 75X90L / 65X90L / 55X90L

- Remova um lado do Suporte de Mesa de cada vez. Firmemente segure no Suporte de Mesa com ambas as mãos enquanto outra pessoa levanta o Televisor ou Monitor LCD.



- Repita o passo anterior e remova o outro lado do Suporte de Mesa.

Nota

- Três ou mais pessoas são necessárias para desencaixar o Suporte de Mesa.
- Tenha cuidado para não exercer demasiada força enquanto desencaixa o Suporte De Mesa do Televisor ou Monitor LCD, pois pode causar a queda do Televisor ou Monitor LCD e resultar em ferimentos pessoais ou danos físicos ao Televisor ou Monitor LCD.
- Tenha cuidado quando manuseia o Suporte de Mesa para prevenir danos ao Televisor ou Monitor LCD.
- Tenha cuidado ao levantar o Televisor ou Monitor LCD, pois o Suporte de Mesa é desencaixado e, portanto, o Suporte de Mesa pode cair e provocar ferimentos pessoais.
- Tenha cuidado ao remover o Suporte de Mesa do Televisor ou Monitor LCD para evitar que caia e danifique a superfície onde se encontra o Televisor ou Monitor LCD.

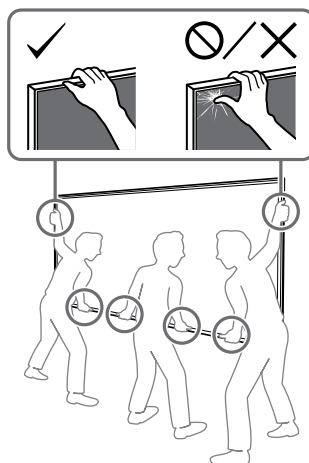
Instalação do Televisor ou Monitor LCD na parede

Apenas nos modelos KD-85X8xL / 85X8xBL / 75X8xL / 75X8xBL, KM-85X8xL / 75X8xL, XR-85X9xL / 75X9xL, XRM-85X9xL / 75X9xL

AVISO

- São necessárias duas ou mais pessoas (três ou mais pessoas para um Televisor ou Monitor LCD de 189,3 cm (75 polegadas) e maiores) para transportar um Televisor ou Monitor LCD de tamanho grande (exceto para o Egito).

São necessárias duas ou mais pessoas (três ou mais pessoas para um Televisor ou Monitor LCD de 75 polegadas (189,3 cm) e maiores) para transportar um Televisor ou Monitor LCD de tamanho grande (apenas para o Egito).



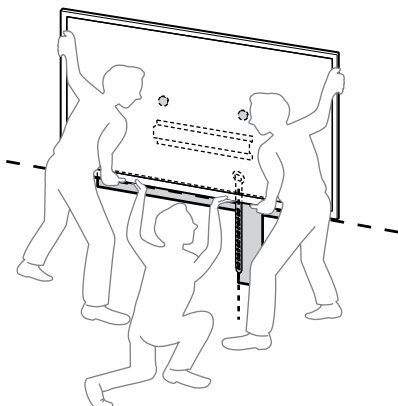
1 Levante o Televisor ou Monitor LCD.

- Para a localização das Polias (B) para suspender a Base (20) (A) ou o Adaptador de Base (1), consulte "Localização de instalação do Adaptador de Base (1)" na página 19.
- Certifique-se que a parte de trás do Televisor ou Monitor LCD toca a Base (20) (A) ou Adaptador de Base (1) quando segura no Televisor ou Monitor LCD.

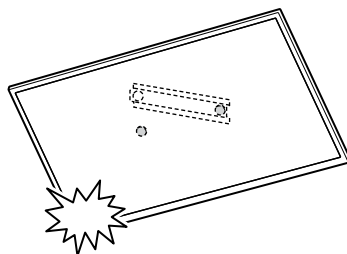
Nota

- Segure firmemente o Televisor ou Monitor LCD com ambas as mãos e certifique-se que a Cinta (E) e a parte inferior do Televisor ou Monitor LCD estão alinhados com a fita de pintura.

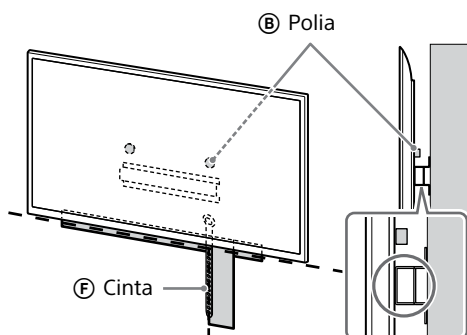
- Transporte o Televisor ou Monitor LCD com três pessoas e a pessoa que está na frente do Televisor ou Monitor LCD lidera os outros para ajustar a posição.



- Liberte ambas as mãos lentamente para assegurar que o Televisor ou Monitor LCD não cai.



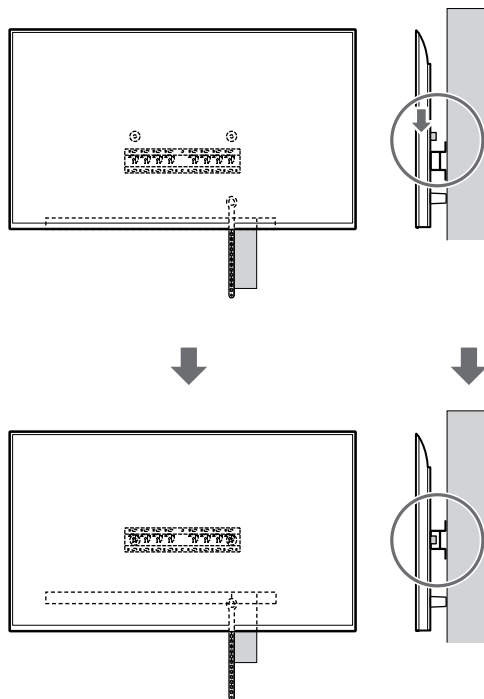
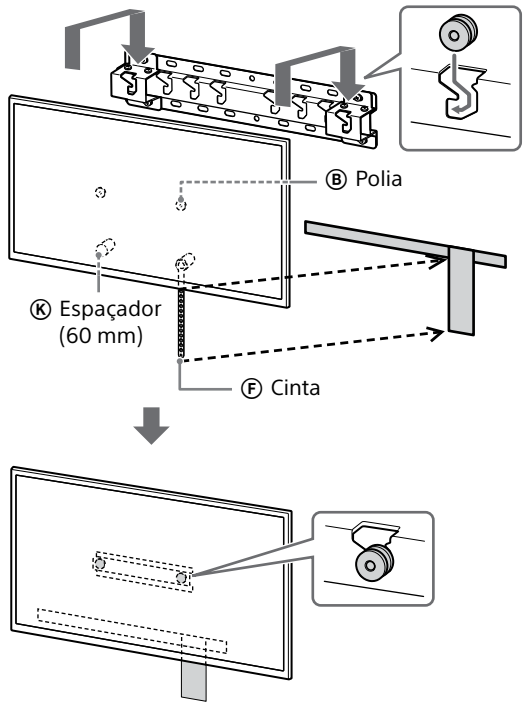
- Tenha muito cuidado ao instalar o Televisor ou Monitor LCD na parede especialmente para a pessoa que está a suportar a parte de baixo do Televisor ou Monitor LCD, o Televisor ou Monitor LCD pode cair, provocando sérios ferimentos corporais ou mesmo a morte.



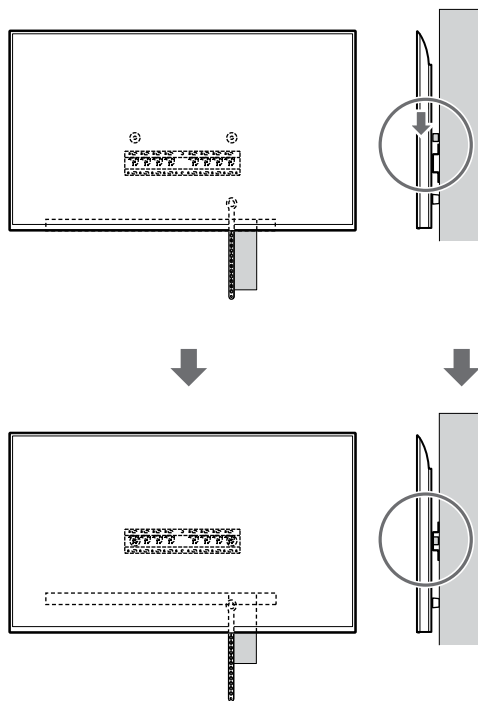
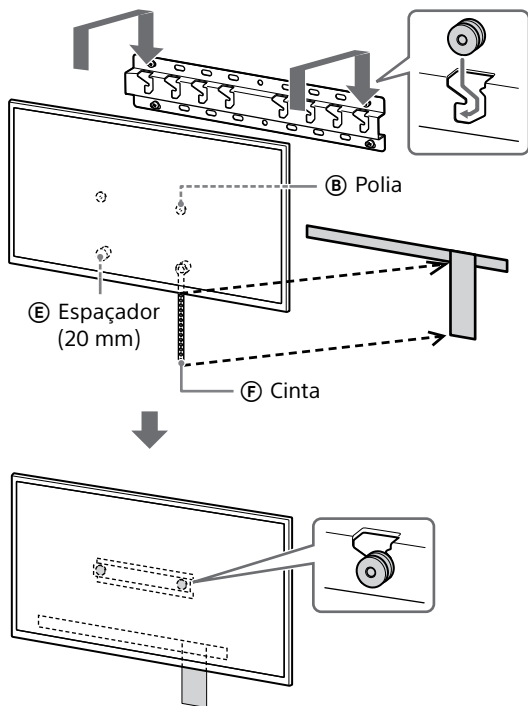
2 Instale o Televisor ou Monitor LCD na Base (20) ① ou Adaptador de Base ①.

- Deslize suavemente para baixo o Televisor ou Monitor LCD e pendure as Polias ② presas à parte de trás do Televisor ou Monitor LCD à Base (20) ① ou Adaptador de Base ①, certificando-se de que confirma a forma dos orifícios.
- Depois de instalar o Televisor ou Monitor LCD na parede, confirme se as Polias ② estão bem presas à Base (20) ① ou ao Adaptador de Base ①.

Se a montagem padrão (2-a) for selecionada:

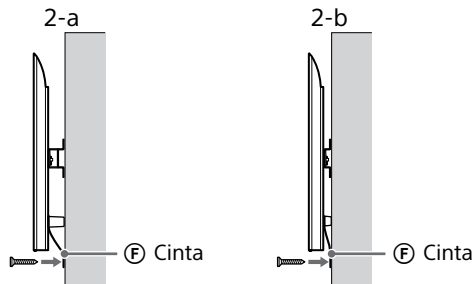


Se a montagem curta (2-b) for selecionada:



3 Evitar que a parte de baixo do Televisor ou Monitor LCD se mova.

- Elimine a folga da Cinta (F) e prenda-a firmemente à parede.



- Utilize um parafuso de 5 mm de diâmetro ou equivalente (não fornecido).

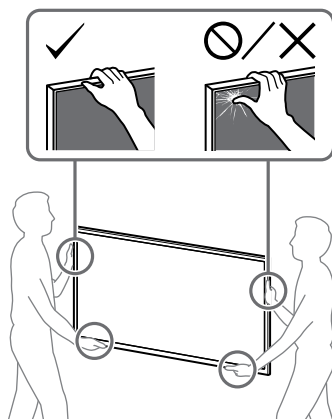
Nota

- Tente puxar a parte de baixo do Televisor ou Monitor LCD ligeiramente para si, para se certificar de que não se move para a frente. Se houver algum movimento, não é fixado correctamente e a Cinta (F) deve voltar a ser firmemente presa.

Exceto para KD-85X8xL / 85X8xBL / 75X8xL / 75X8xBL, KM-85X8xL / 75X8xL, XR-85X9xL / 75X9xL, XRM-85X9xL / 75X9xL

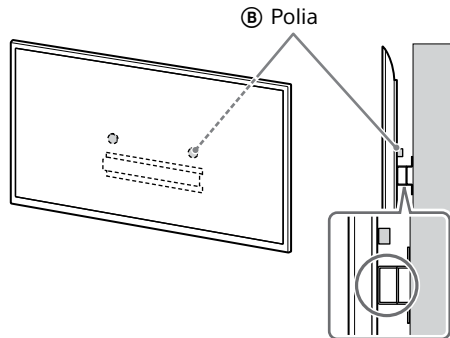
AVISO

- São necessárias duas ou mais pessoas (três ou mais pessoas para um Televisor ou Monitor LCD de 189,3 cm (75 polegadas) e maiores) para transportar um Televisor ou Monitor LCD de tamanho grande (exceto para o Egito). São necessárias duas ou mais pessoas (três ou mais pessoas para um Televisor ou Monitor LCD de 75 polegadas (189,3 cm) e maiores) para transportar um Televisor ou Monitor LCD de tamanho grande (apenas para o Egito).



1 Levante o Televisor ou Monitor LCD.

- Para a localização das Polias (B) para suspender a Base (20) (A) ou o Adaptador de Base (I), consulte “Localização de instalação do Adaptador de Base (I)” na página 19.
- Certifique-se que a parte de trás do Televisor ou Monitor LCD toca a Base (20) (A) ou Adaptador de Base (I) quando segura no Televisor ou Monitor LCD.

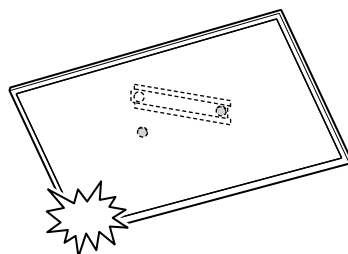


Nota

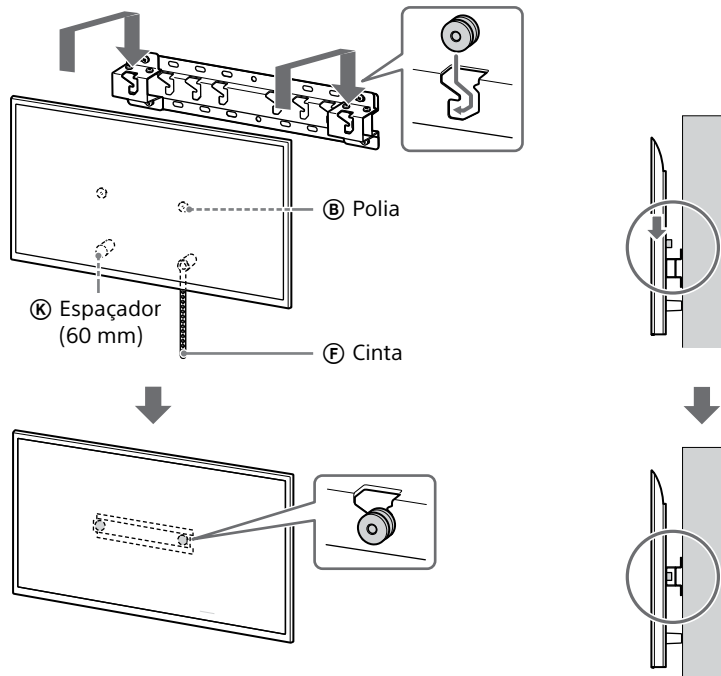
- Segure firmemente o Televisor ou Monitor LCD com ambas as mãos.

2 Instale o Televisor ou Monitor LCD na Base (20) (A) ou Adaptador de Base (I).

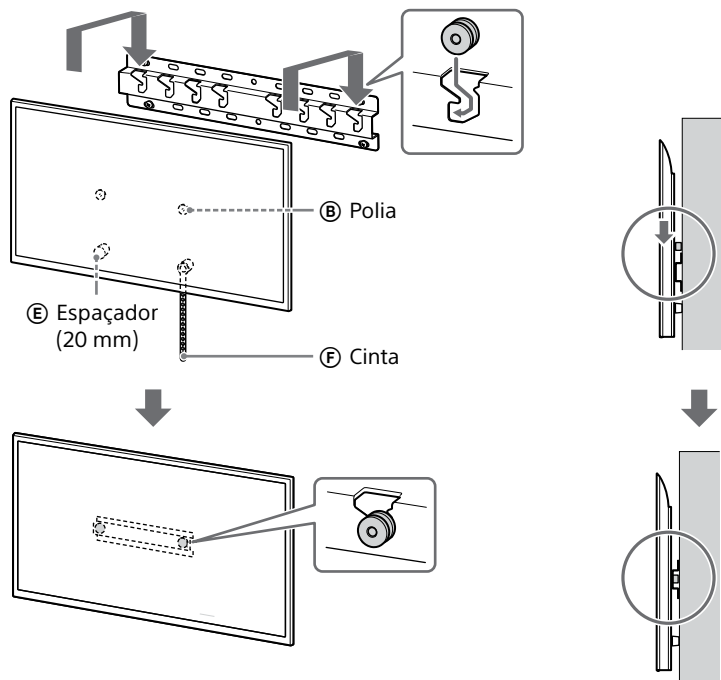
- Deslize suavemente para baixo o Televisor ou Monitor LCD e pendure as Polias (B) presas à parte de trás do Televisor ou Monitor LCD à Base (20) (A) ou Adaptador de Base (I), certificando-se de que confirma a forma dos orifícios.
- Depois de instalar o Televisor ou Monitor LCD na parede, confirme se as Polias (B) estão bem presas à Base (20) (A) ou ao Adaptador de Base (I).
- Liberte ambas as mãos lentamente para assegurar que o Televisor ou Monitor LCD não cai.



Se a montagem padrão (2-a) for selecionada:

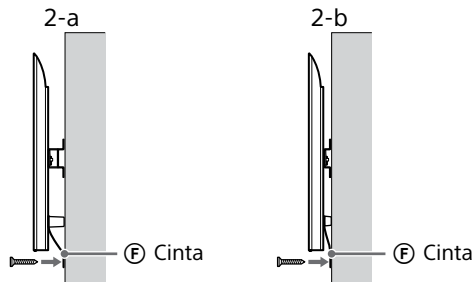


Se a montagem curta (2-b) for selecionada:



3 Evitar que a parte de baixo do Televisor ou Monitor LCD se mova.

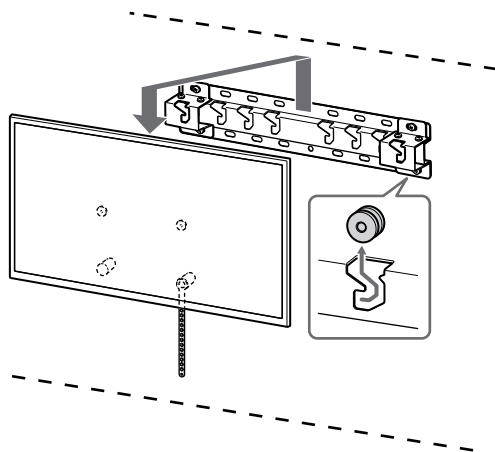
- Elimine a folga da Cinta (F) e prenda-a firmemente à parede.



- Utilize um parafuso de 5 mm de diâmetro ou equivalente (não fornecido).

Nota

- Tente puxar a parte de baixo do Televisor ou Monitor LCD ligeiramente para si, para se certificar de que não se move para a frente. Se houver algum movimento, não é fixado correctamente e a Cinta (F) deve voltar a ser firmemente presa.



AVISO

- São necessárias duas ou mais pessoas (três ou mais pessoas para um Televisor ou Monitor LCD de 189,3 cm (75 polegadas) e maiores) para transportar um Televisor ou Monitor LCD de tamanho grande (exceto para o Egito). São necessárias duas ou mais pessoas (três ou mais pessoas para um Televisor ou Monitor LCD de 75 polegadas (189,3 cm) e maiores) para transportar um Televisor ou Monitor LCD de tamanho grande (apenas para o Egito).

Confirmar a conclusão da instalação

Verifique os seguintes pontos.

- As Polias (B) estão penduradas com firmeza na Base (20) (A) ou no Adaptador de Base (1).
- Os cabos de alimentação e ligação não estão dobrados nem trilhados.
- A Cinta (F) está bem presa, sem folga.

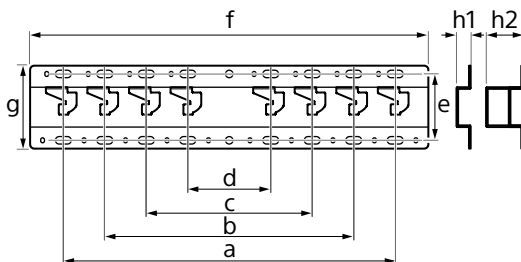
AVISO

- A instalação incorreta do cabo de alimentação CA, etc., pode provocar um incêndio ou choque elétrico devido a um curto-circuito. Verifique se a instalação está terminada, por medida de segurança.

Outras informações

Quando remover o Televisor ou Monitor LCD, inverta o procedimento de instalação anterior.

Especificações



Dimensões: (Aprox.) [mm]

a : 400
b : 300
c : 200
d : 100
e : 80
f : 480
g : 100

h1 : 20 (para montagem curta, 2-b)
h2 : 60 (para montagem padrão, 2-a)

Peso (apenas base): (Aprox.) [kg]

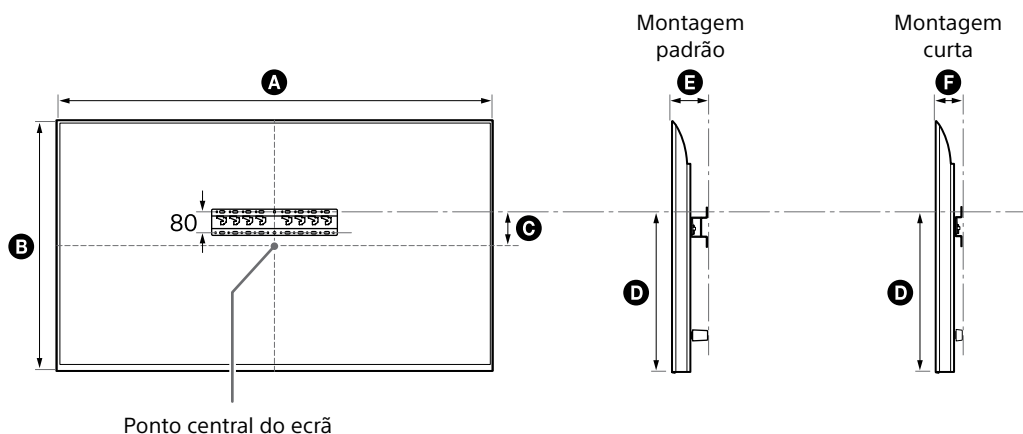
0,8

O design e as especificações estão sujeitas a alterações sem aviso prévio.

Referências

Medição para a instalação do Suporte de Parede na parede

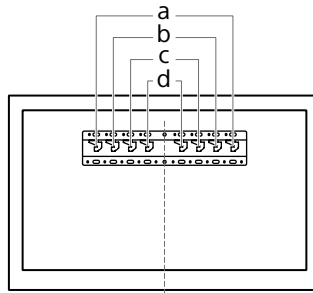
Os números da tabela podem variar ligeiramente dependendo da instalação.



(mm)

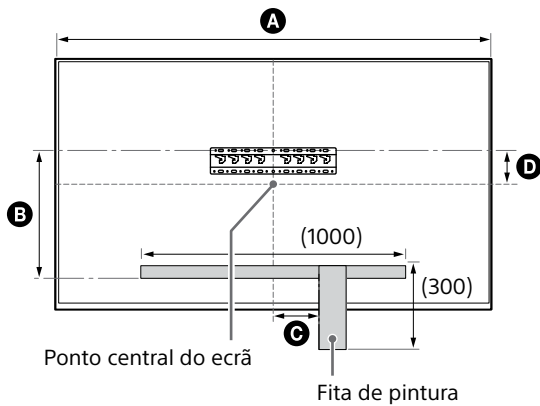
Nome do modelo	A	B	C	D	E	F
KD-85X81BL / 85X80L KM-85X80L	1901	1090	43	592	138	96
XR-85X90L XRM-85X90L	1891	1085	58	607	125	83
KD-75X85L KM-75X85L	1671	960	21	508	123	81
KD-75X81BL / 75X80L KM-75X80L	1675	962	12	493	137	95
XR-75X90L XRM-75X90L	1668	959	21	508	123	81
KD-65X85L / 65X85BL KM-65X85L	1447	832	85	505	123	81
KD-65X81BL / 65X80L KM-65X80L	1452	836	76	494	135	93
XR-65X90L XRM-65X90L	1445	831	85	505	123	81
KD-55X85L KM-55X85L	1228	709	146	505	122	81
KD-55X81BL / 55X80L KM-55X80L	1233	713	133	494	135	93
XR-55X90L XRM-55X90L	1225	707	146	505	122	81
KD-50X80L KM-50X80L	1119	649	63	392	133	91
KD-43X80L KM-43X80L	964	563	111	392	133	91

Localização de instalação do Adaptador de Base ①



Nome do modelo	Localização do gancho	Nome do modelo	Localização do gancho
KD-85X81BL / 85X80L KM-85X80L XR-85X90L XRM-85X90L	a	KD-55X85L / 55X81BL / 55X80L KM-55X85L / 55X80L XR-55X90L XRM-55X90L	b
KD-75X85L / 75X81BL / 75X80L KM-75X85L / 75X80L XR-75X90L XRM-75X90L	b	KD-50X80L KM-50X80L	c
KD-65X85L / 65X85BL / 65X81BL / 65X80L KM-65X85L / 65X80L XR-65X90L XRM-65X90L	b	KD-43X80L KM-43X80L	c

Marcação na parede para localização de instalação do Televisor ou Monitor LCD



(mm)

Nome do modelo	A	B	C	D
KD-85X81BL / 85X80L KM-85X80L	1901	472	200	43
XR-85X90L XRM-85X90L	1891	486	200	58
KD-75X85L KM-75X85L	1671	388	150	21
KD-75X81BL / 75X80L KM-75X80L	1675	373	150	12
XR-75X90L XRM-75X90L	1668	388	150	21

Oplysninger om montering med Sonys beslag til vægmontering (SU-WL450)

Understøttede modeller*:

* "x"/"xx" i modelnavnene angiver tal og/eller tegn for den enkelte model.

KD-85X8xL / 85X8xBL / 75X8xL / 75X8xBL / 65X8xL / 65X8xBL / 55X8xL / 55X8xBL / 50X8xL / 43X8xL

KM-85X8xL / 75X8xL / 65X8xL / 55X8xL / 50X8xL / 43X8xL

XR-85X9xL / 75X9xL / 65X9xL / 55X9xL

XRM-85X9xL / 75X9xL / 65X9xL / 55X9xL

Til kunder

Af hensyn til produktets og den generelle sikkerhed anbefaler Sony på det kraftigste, at monteringen af TV'et eller LCD-skærmen udføres af en Sony-forhandler eller en autoriseret installatør. Forsøg ikke at montere det selv.

Til Sony-forhandlere og installatører

Vær opmærksom på sikkerheden under montering, vedligeholdelse og eftersyn af produktet.

Installation af dette produkt kræver visse forudsætninger, især for at finde ud af, om væggen kan bære TV'ets eller LCD-skærmens vægt. Monteringen af dette produkt skal udføres af en Sony-forhandler eller autoriseret installatør under hensyntagen til sikkerheden. Sony er ikke ansvarlig for beskadigelse eller personskade, der opstår som følge af forkert håndtering eller forkert montering.

For sikker og korrekt installation, følg vejledningen til beslag til vægmontering, TV'ets eller LCD-skærmens installationsvejledning og retningslinjerne i denne manual.

Beslag til vægmontering

Om sikkerhed

Tak, fordi du har købt dette produkt.

Til kunder

Vægmontering af TV'et eller LCD-skærmen



ADVARSEL

KRÆVER PROFESSIONEL MONTERING

Dette produkt må kun monteres af en professionel installatør, som er uddannet i at fastlægge styrken af væggen i forhold til TV'ets eller LCD-skærmens vægt. Hvis det ikke fastgøres korrekt under monteringen, kan TV'et eller LCD-skærmen falde ned og forårsage alvorlige kvæstelser. Sony påtager sig intet ansvar for skader eller kvæstelser forårsaget af forkert håndtering eller forkert montering, eller for montering af andet end det specificerede produkt. Dine eventuelle lovsikrede rettigheder påvirkes ikke.

Til Sony-forhandlere

Installation af dette produkt kræver visse forudsætninger. Læs denne betjeningsvejledning grundigt for at udføre monteringen på sikker vis. Sony kan ikke holdes ansvarlig for personskader eller materielle skader forårsaget af ukorrekt behandling eller montering. Giv denne vejledning til kunden efter monteringen.

Denne betjeningsvejledning beskriver korrekt håndtering af produktet og de vigtigste forholdsregler, som er nødvendige for at forhindre ulykker. Det er dit ansvar at læse, forstå og følge alle instruktioner i denne betjeningsvejledning. Undladelse af at gøre dette kan resultere i alvorlige kvæstelser eller tingsskade og kan ugyldiggøre garantien. Gem vejledningen til senere brug.

Sonys produkter er udformet med henblik på at opnå bedst mulig sikkerhed. Hvis produkterne anvendes forkert, kan det medføre alvorlig personskade som følge af brand, elektrisk stød, eller fordi produktet vælter eller falder ned. Undgå sådanne ulykker ved at overholde sikkerhedsforskrifterne.

FORSIGTIG

Specificerede produkter

Dette beslag til vægmontering er udviklet til kun at bruges sammen med de produktspecificerede TV'er eller LCD-skærme. For TV'er eller LCD-skærme skal du læse deres referencevejledning for at finde ud af, om du kan bruge beslaget til vægmontering.

Til kunder

ADVARSEL

Hvis følgende forholdsregler ikke overholdes, kan det medføre alvorlig personskade eller død som følge af brand, elektrisk stød, eller fordi produktet vælter eller falder ned.

Monteringen skal udføres af en autoriseret installatør. Børn må ikke være i nærheden under monteringen.

Hvis beslaget til vægmontering eller TV'et eller LCD-skærmen ikke monteres korrekt, kan der ske følgende ulykker. Lad en autoriseret installatør udføre monteringen.

- TV'et eller LCD-skærmen kan falde ned og forårsage alvorlige skader, f.eks. blå mærker eller brud.
- Hvis den væg, hvor beslaget til vægmontering er monteret, er ustabil, skæv eller ikke står vinkelret på gulvet, kan enheden falde ned og forårsage personskade eller materiel skade. Væggen skal kunne holde en vægt på mindst fire gange TV'ets eller LCD-skærmens vægt. (Flere oplysninger om TV'ets eller LCD-skærmens vægt findes i referencevejledningen).
- Hvis monteringen af beslaget til vægmontering ikke er solid nok, kan enheden falde ned og forårsage personskade eller materiel skade.

Flytning eller afmontering af TV'et eller LCD-skærmen skal udføres af en autoriseret installatør.

Hvis TV'et eller LCD-skærmen flyttes eller afmonteres af ikke-autoriserede personer, kan det falde ned og forårsage personskade eller materiel skade. Der er behov for to eller flere personer (tre personer eller flere til et TV eller en LCD-skærm på 189,3 cm (75 tommer) eller derover) for at transportere et stort TV eller en stor LCD-skærm (undtagen Egypten). Der er behov for to eller flere personer (tre personer eller flere til et TV eller en LCD-skærm på 75 tommer (189,3 cm) eller derover) for at transportere et stort TV eller en stor LCD-skærm (kun Egypten).

Du må ikke fjerne skruer osv., når TV'et eller LCD-skærmen er monteret.

Hvis du gør dette, kan TV'et eller LCD-skærmen falde ned og forårsage personskade eller materiel skade.

Foretag ikke ændringer på beslaget til vægmontering.

Hvis du gør det, kan beslaget til vægmontering falde ned og forårsage personskade eller materiel skade.

Monter ikke andet udstyr end det specificerede produkt.

Dette beslag til vægmontering er udviklet til kun at bruges sammen med det specificerede produkt. Hvis du monterer andet udstyr end det specificerede, kan det falde ned eller gå i stykker og forårsage personskade eller materiel skade.

Monter ikke nogen anden belastning end TV'et eller LCD-skærmen på beslaget til vægmontering.

Ryst ikke TV'et eller LCD-skærmen mod venstre/højre, op/ned.

Hvis du gør dette, kan TV'et eller LCD-skærmen falde ned og forårsage personskade eller materiel skade.

Du må ikke læne dig ind over TV'et eller LCD-skærmen eller hænge i det.

Du må ikke læne dig ind over TV'et eller LCD-skærmen eller hænge i det, da det kan falde ned og forårsage alvorlig personskade.

FORSIGTIG

Hvis følgende forholdsregler ikke overholdes, kan der opstå materiel skade eller personskade.

- Sørg for at opbevare de ikke-anvendte dele på et sikkert sted til fremtidig brug. Hold dem på afstand af børn.

Håndter produktet forsigtigt under rengøring og vedligeholdelse.

Du må ikke trykke hårdt ind på forsiden af TV'et eller LCD-skærmen. Hvis du gør dette, kan TV'et eller LCD-skærmen falde ned og forårsage personskade eller materiel skade.

Sikkerhedsforanstaltninger

- Hvis du bruger TV'et eller LCD-skærmen monteret på beslaget til vægmontering gennem længere tid, kan væggen bag ved eller oven over TV'et eller LCD-skærmen blive misfarvet, eller tapetet kan løsne sig, afhængigt af det materiale, væggen er lavet af.
- Hvis beslaget til vægmontering fjernes efter montering på væggen, bliver skruenhullerne tilbage.
- Du må ikke bruge beslaget til vægmontering på et sted, hvor det udsættes for mekaniske vibrationer.

DK

Montering af beslaget til vægmontering

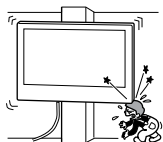
Til Sony-forhandlere

ADVARSEL

Følgende anvisninger er kun til Sony-forhandlere. Sørg for at læse ovennævnte sikkerhedsforskrifter grundigt, og vær særlig opmærksom på sikkerheden under montering, vedligeholdelse, kontrol og reparation af dette produkt.

Monter ikke beslaget til vægmontering på flader, hvor TV'ets eller LCD- skærmens hjørner eller sider stikker frem.

Monter ikke beslaget til vægmontering på flader, f.eks. en søjle, hvor TV'ets eller LCD-skærmens hjørner eller sider stikker frem. Hvis en person eller genstand støder imod TV'ets eller LCD-skærmens fremspringende hjørne eller side, kan det medføre personskeade eller materiel skade.

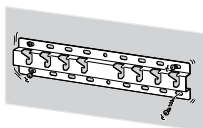


Du må ikke montere TV'et eller LCD-skærmen over eller under et klima anlæg.

Hvis TV'et eller LCD-skærmen gennem længere tid udsættes for vanddråber eller luft fra et klima anlæg, kan det medføre brand, elektrisk stød eller beskadigelse af TV'et eller LCD-skærmen.

Sørg for at montere beslaget til vægmontering sikkert på væggen ved at følge instruktionerne i denne betjeningsvejledning.

Hvis nogle af skruerne er løse eller falder ud, kan beslaget til vægmontering falde ned og forårsage personskeade eller materiel skade. Sørg for at bruge skruer, der egner sig til det materiale, væggen er lavet af, og monter enheden sikkert ved at bruge mindst fire skruer med en diameter på 8 mm (eller tilsvarende).



**Sørg for at bruge de
medfølgende skruer
og tilhørende dele
korrekt, og følg
anvisningerne i denne
betjeningsvejledning.
Hvis du bruger andre
dele, kan TV'et eller
LCD-skærmen falde
ned og forårsage
personskeade, eller
TV'et eller LCD-
skærmen kan blive
beskadiget.**

Sørg for at samle beslaget korrekt ved at følge den procedure, der er forklaret i denne betjeningsvejledning.

Hvis nogle af skruerne er løse eller falder ud, kan TV'et eller LCD-skærmen falde ned og forårsage personskeade, eller TV'et eller LCD-skærmen kan blive beskadiget.

Sørg for at stramme skruerne tilstrækkeligt på den angivne position.

Hvis du ikke gør dette, kan TV'et eller LCD-skærmen falde ned og forårsage personskeade, eller TV'et eller LCD-skærmen kan blive beskadiget.

Sørg for, at TV'et eller LCD-skærmen ikke udsættes for stødpåvirkninger under monteringen.

Hvis TV'et eller LCD-skærmen udsættes for stødpåvirkninger, kan det falde ned og gå i stykker. Dette kan forårsage personskeade.

Sørg for at montere TV'et eller LCD-skærmen på en væg, der er plan og vinkelret på gulvet.

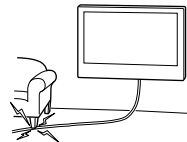
Hvis du ikke gør dette, kan TV'et eller LCD-skærmen falde ned og forårsage personskeade.

Sørg for at sikre kablerne forsvarligt efter korrekt montering af TV'et eller LCD-skærmen.

Hvis mennesker eller genstande bliver viklet ind i kablerne, kan det forårsage personskeade eller beskadigelse af TV'et eller LCD-skærmen.

Du må ikke lade strømkablet eller tilslutningskablet blive klemte.

Hvis strømkablet eller tilslutningskablet er klemt mellem enheden og væggen eller bøjes eller snoes, kan ledningstrådene blive blottet og forårsage kortslutning eller strømafbrydelse. Dette kan medføre brand eller elektrisk stød.



De skruer, der skal bruges til at fastgøre beslaget til vægmontering, medfølger ikke.

Brug skruer, der egner sig til det materiale, væggen er lavet af, når beslaget til vægmontering monteres.

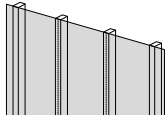
Før du går i gang

- Illustrationer af TV'et eller LCD-skærmen, der vises i denne brugervejledning, er eksempler, som anvendes til at give tydelige forklaringer på funktionerne. Af denne grund kan illustrationerne synes forskellige fra dit faktiske TV eller din faktiske LCD-skærm.

Hvad er din væg lavet af?

Undersøg først typen af væggen, hvor TV'et eller LCD-skærmen skal monteres.

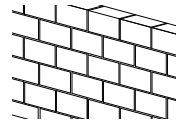
Gipsvæg med stivere



Sikkerhedsforanstaltninger

- Maksimal tykkelse af gipsvæg: 16 mm.
- Kontroller, at de indvendige stivere måler mindst 51 mm × 102 mm i almindeligt mål eller 38 mm × 89 mm nominelt.

Massiv beton eller betonelementer



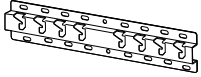








Sikkerhedsforanstaltninger

- Monter beslaget til vægmontering direkte på den massive betolvæg.
- Kontroller, at tykkelsen af den massive betolvæg er mindst 203 mm.
- Kontroller, at størrelsen på hvert betonelement er mindst 203 mm × 203 mm × 406 mm.




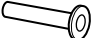

Kontrol af dele

Følger med SU-WL450


- Kontroller, at alle dele forefindes.

<p>Ⓐ Base (20) (x1)</p> 	<p>Ⓑ Trisse (x2)</p> 	<p>Ⓒ Skrue (+PSW 6 x 20) (x4)</p> 	<p>Ⓔ Afstandsstykke (20 mm) (x2)</p> 
<p>Ⓕ Bælte (x1)</p> 	<p>Ⓘ Baseadapter (x2)</p> 	<p>Ⓙ Skrue (+PSW 4 x 10) (x8)</p> 	<p>Ⓚ Afstandsstykke (60 mm) (x2)</p> 
<p>Ⓛ Skrue (+PSW 6 x 50) (x2)</p> 			

- Disse dele kan muligvis ikke anvendes til din model.

<p>Ⓓ Skrue (+PSW 4 x 20) med bøsning (x2)</p> 	<p>Ⓞ Bøsning (20) (M4) (x2)</p> 	<p>ⓓ Skrue (+PSW 4 x 20) (x2)</p> 	<p>Ⓜ Bøsning (M4) (x2)</p> 
<p>Ⓝ Skrue (+PSW 4 x 50) (x2)</p> 			



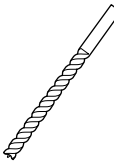
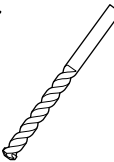
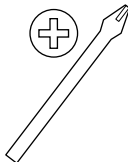
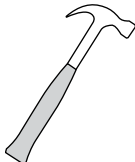
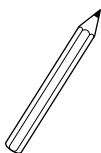
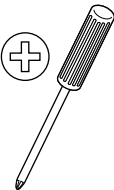
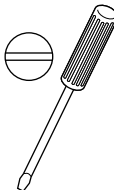
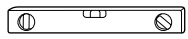




Følger med TV'et eller LCD-skærmen

<p>Tilslutning til vægmontering VS (x4)*</p> 

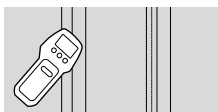
- * Kun for begrænsede regioner/lande/modeller.

Klargøring for installation

- Sørg for at have TV'ets eller LCD-skærmens referencevejledning og installationsvejledningen klar inden installation.
- Bekræft TV'ets eller LCD-skærmens installationsposition.
- Klargør mindst fire skruer med en diameter på 8 mm og en skrue på 5 mm eller tilsvarende (medfølger ikke). Vælg skruer, der passer til væggens materiale.
- Klargør følgende værktøjer:

*1 		 5,5 mm	 10 mm	
*2 		 1,5 N·m {15 kgf·cm}	*3  1,5 N·m {15 kgf·cm}	
	*2  (x4)	 (x4) 8 mm x 60 mm	 5 mm	
*4 				

*1 Kun for gipsvæg med stivere



*2 Kun for massiv beton eller betonelementer

*3 Afhængig af modeller

*4 Kun for TV eller LCD-skærm på 189,3 cm (75 tommer) og derover (undtagen Egypten)
Kun for TV eller LCD-skærm på 75 tommer (189,3 cm) og derover (kun Egypten)

Montering af beslaget til vægmontering på væggen

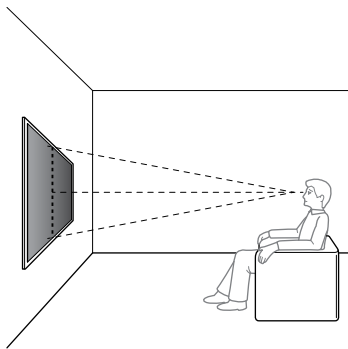
1 Find TV'ets eller LCD-skærmens placering.

Sørg for, at der er nok plads til TV'et eller LCD-skærmen på væggen, og at væggen kan bære en vægt på mindst fire gange TV'ets eller LCD-skærmens vægt.

Flere oplysninger om TV'ets eller LCD-skærmens vægt findes i referencevejledningen.

Bemærk

- Når dit TV eller din LCD-skærm er monteret på en væg, vipper TV'ets eller LCD-skærmens øverste del lidt fremad.
- Vi anbefaler, at du kontrollerer placeringen af TV'et eller LCD-skærmen i de omgivelser, det/den skal anvendes i.



2 Vælg vægmonteringsstil som vist nedenfor.

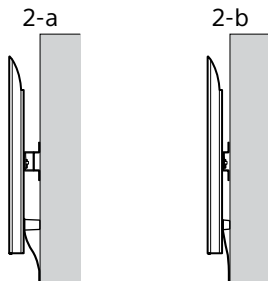
2-a: Standardmontering

2-b: Smal-montering

- Se "Måling til montering af beslag til vægmontering på væggen" på side 18.

ADVARSEL

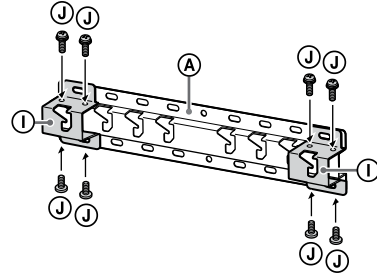
- Når 2-b vælges, begrænses adgangen til stikket bagpå.



3 Hvis der er valgt standardmontering (2-a):

Tilpas baseadapter ① med en skrue (+PSW 4 × 10) ② til base (20) ③.

- Se "Monteringssted for baseadapter ①" på side 19.



Eksempelvis, montering af baseadapter ① på placering "a"

Hvis der er valgt smal-montering (2-b):

Spring dette trin over.

4 Bestem positionerne for skrueerne til montering af base (20) ③.

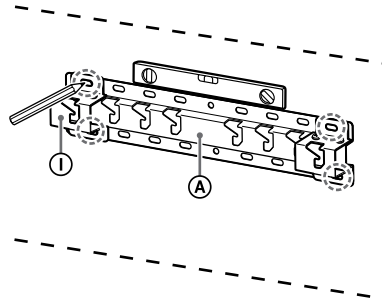
- Se "Specifikationer" på side 17.

ADVARSEL

- Kontroller bæreevnen for den væg, som TV'et eller LCD-skærmen skal hænges op på. Du kan eventuelt forstærke væggen.
- Væggen, som TV'et eller LCD-skærmen skal monteres på, skal som minimum kunne klare en belastning på **fire gange** TV'ets eller LCD-skærmens vægt. (Flere oplysninger om TV'ets eller LCD-skærmens vægt findes i referencevejledningen).

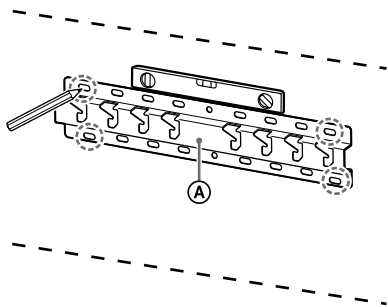
Hvis der er valgt standardmontering (2-a):

Anvend baseadapterens ① hulpositioner.



Eksempelvis, markering ved placering "a" for at tilpasse base (20) ③

Hvis der er valgt smal-montering (2-b):

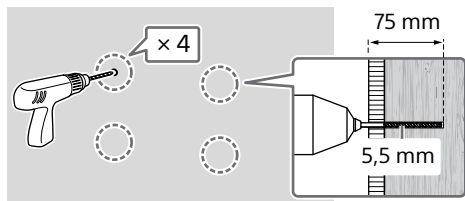


Eksempelvis, markering ved placering "a" for at tilpasse base (20) A

5 Forbor huller på mærkerne.

Sørg for, at stedet på væggen til boring af huller er stærkt nok til at bære en vægt, der er mindst fire gange så stor som TV'ets eller LCD-skærmens.

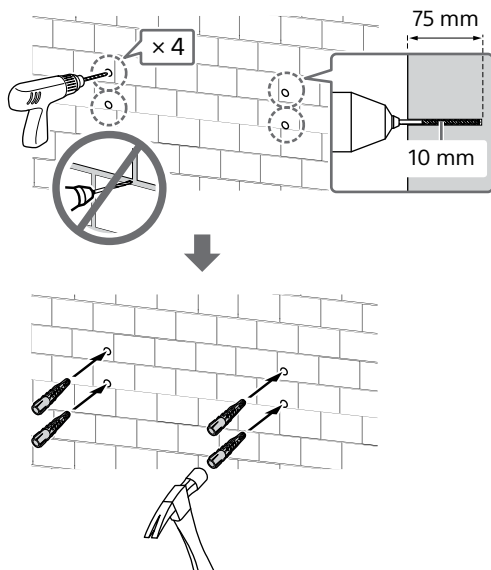
Boring i gipsvæg med stivere:



Bemærk

- Forboringen skal udføres i en dybde af 75 mm med et 5,5 mm bor.

Boring i massiv beton eller betonelementer:



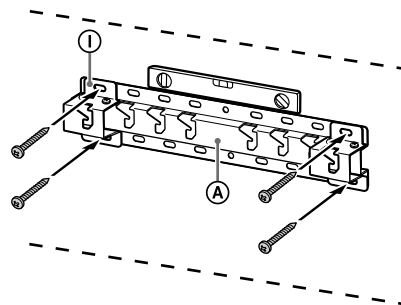
6 Monter basen (20) A på væggen med egnede skruer (medfølger ikke).

Bemærk

- Brug mindst fire skruer med en diameter på 8 mm eller tilsvarende (medfølger ikke).
- Brug et vaterpas til at kontrollere, om basen (20) A er i vater.

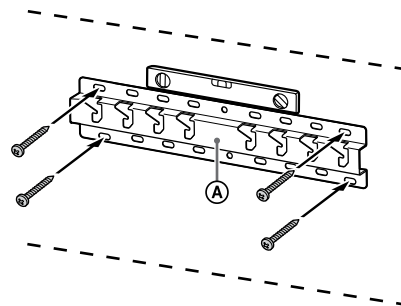
Hvis der er valgt standardmontering (2-a):

Sæt fire skruer i hullerne på baseadapter (1) med base (20) A.



Eksempelvis, montering af base (20) A på placering "a"

Hvis der er valgt smal-montering (2-b):



Eksempelvis, montering af base (20) A på placering "a"

7 Kun KD-85X8xL / 85X8xBL / 75X8xL / 75X8xBL, KM-85X8xL / 75X8xL, XR-85X9xL / 75X9xL, XRM-85X9xL / 75X9xL

Markér installationsstedet på væggen.

Brug afdækningstape osv. (medfølger ikke) til at markere TV'ets eller LCD-skærmens placering i nærheden af basen (20) A eller baseadapteren (1).

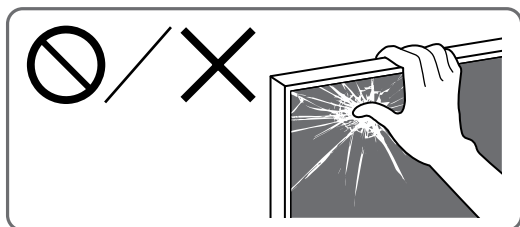
- Se "Vægmarkering for installationssted for TV'et eller LCD-skærmen" på side 20.

Undtaget KD-85X8xL / 85X8xBL / 75X8xL / 75X8xBL, KM-85X8xL / 75X8xL, XR-85X9xL / 75X9xL, XRM-85X9xL / 75X9xL
Spring dette trin over.

Gør klar til montering af TV'et eller LCD-skærmen

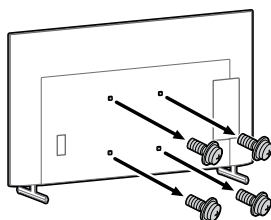
Bemærk

- Sørg for at opbevare de fjernede skruer og dele, der ikke anvendes, på et sikkert sted – utilgængeligt for børn.

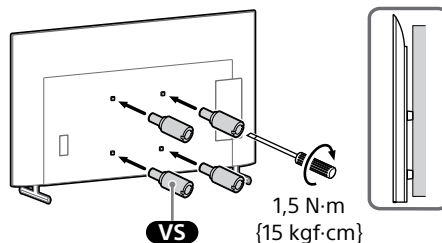


- 1 Montér foden for at få TV'et eller LCD-skærmen til at stå op.
 - Se installationsvejledningen til dit TV eller din LCD-skærm.

- 2 Fjern skruerne fra bagsiden af TV'et eller LCD-skærmen.



- 3 Forbind tilslutningen til vægmontering **VS** (følger med TV'et eller LCD-skærmen) til bagsiden af TV'et eller LCD-skærmen (for at gøre det parallel med muren).



Bemærk

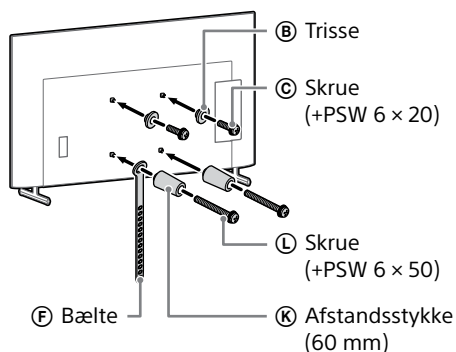
- Sørg for at fæstne tilslutningen til vægmontering **VS**, ved tilslutning til TV'et eller LCD-skærmen. Brug kun en flad skruetrækker, til at installere tilslutningen til vægmontering **VS**. Brug af andet værktøj, kan medføre for hård stramning af tilslutning til vægmontering **VS** og skade TV'et eller LCD-skærmen.

- 4 Montér de tilhørende dele til beslaget til vægmontering. Kontrollér monteringsdelene ved at kigge på "Følger med SU-WL450" i "Kontrol af dele" på side 6.

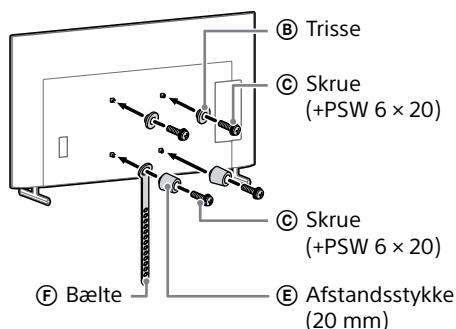
Bemærk

- Fastgør monteringsdelene med skruer.
- Hvis der bruges en elektrisk skruetrækker, skal drejningsmomentet indstilles til ca. 1,5 N·m {15 kgf·cm}.

Hvis der er valgt standardmontering (2-a):



Hvis der er valgt smal-montering (2-b):



5 Slut de nødvendige kabler til TV'et eller LCD-skærmen.

Sørg for at tilslutte kablerne før montering af TV'et eller LCD-skærmen på væggen. Du kan ikke tilslutte kablerne, når TV'et eller LCD-skærmen er monteret.

Bemærk

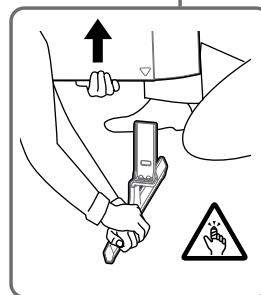
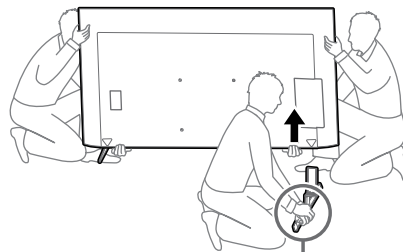
- Lad en autoriseret person trække kablerne i væggen.
- Saml forbindelseskablerne i et bundt for at undgå at træde på dem inden vægmontering.

6 Afmonter TV'ets eller LCD-skærmens fod.

Følgende illustration er et eksempel på betjeningen.

Undtaget KD-75X85L / 65X85L / 65X85BL / 55X85L, KM-75X85L / 65X85L / 55X85L, XR-85X90L / 75X90L / 65X90L / 55X90L, XRM-85X90L / 75X90L / 65X90L / 55X90L

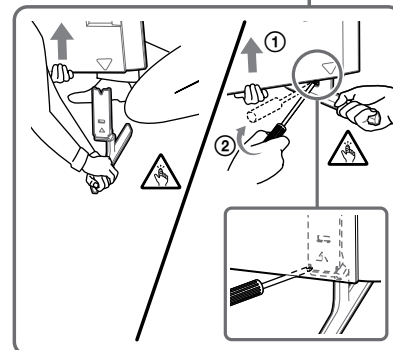
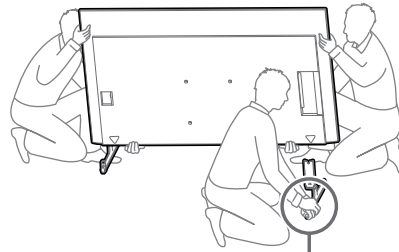
- Fjern én side af foden af gangen. Hold godt fast på foden med begge hænder, mens de andre personer løfter TV'et eller LCD-skærmen op.



- Gentag foregående trin og fjern den anden side af foden.

Kun KD-75X85L / 65X85L / 65X85BL / 55X85L, KM-75X85L / 65X85L / 55X85L

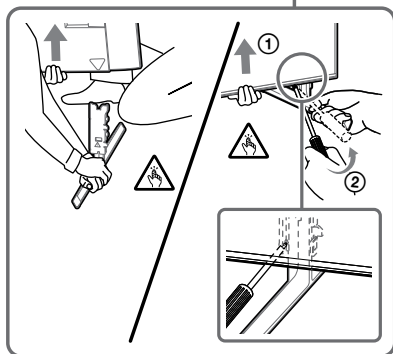
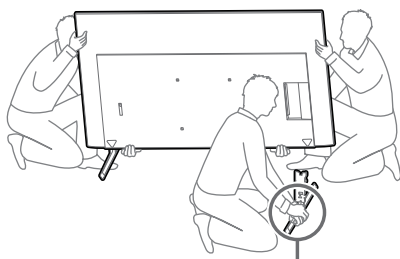
- Fjern én side af foden af gangen. Hold godt fast på foden med begge hænder, mens de andre personer løfter TV'et eller LCD-skærmen op.



- Gentag foregående trin og fjern den anden side af foden.

Kun XR-85X90L / 75X90L / 65X90L /
55X90L, XRM-85X90L / 75X90L / 65X90L /
55X90L

- Fjern én side af foden af gangen. Hold godt fast på foden med begge hænder, mens de andre personer løfter TV'et eller LCD-skærmen op.



- Gentag foregående trin og fjern den anden side af foden.

Bemærk

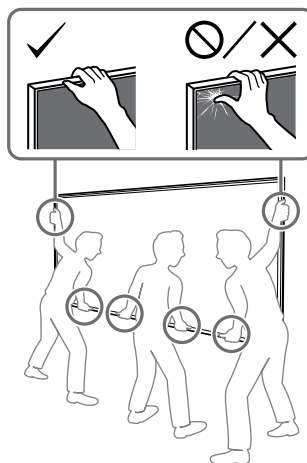
- Der kræves tre eller flere personer til at afmontere foden.
- Vær forsigtig og brug ikke unødigt kraft ved afmontering af foden fra TV'et eller LCD-skærmen da det kan forårsage at TV'et eller LCD-skærmen falder, hvilket kan resultere i tilskadekomst af personer eller fysisk skade på TV'et eller LCD-skærmen.
- Vær forsigtig ved håndtering af foden for at undgå at beskadige TV'et eller LCD-skærmen.
- Vær forsigtig når du løfter TV'et eller LCD-skærmen, når foden er afmonteret, da foden kan vælte og forårsage personskade.
- Vær forsigtig, når du fjerner foden fra TV'et eller LCD-skærmen for at forhindre, at TV'et eller LCD-skærmen vælter og beskadiger overfladen, som det/den er placeret på.

Vægmontering af TV'et eller LCD-skærmen

Kun KD-85X8xL / 85X8xBL /
75X8xL / 75X8xBL, KM-85X8xL /
75X8xL, XR-85X9xL / 75X9xL,
XRM-85X9xL / 75X9xL

ADVARSEL

- Der er behov for to eller flere personer (tre personer eller flere til et TV eller en LCD-skærm på 189,3 cm (75 tommer) eller derover) for at transportere et stort TV eller en stor LCD-skærm (undtagen Egypten). Der er behov for to eller flere personer (tre personer eller flere til et TV eller en LCD-skærm på 75 tommer (189,3 cm) eller derover) for at transportere et stort TV eller en stor LCD-skærm (kun Egypten).



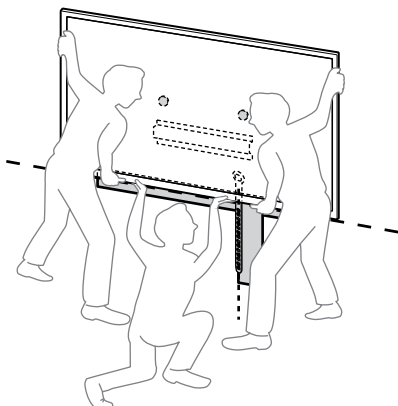
1 Løft TV'et eller LCD-skærmen.

- For placering af trisserne (B), der skal hænges på basen (20) (A) eller baseadapteren (1), se "Monteringssted for baseadapter (1)" på side 19.
- Sørg for, at bagsiden af TV'et eller LCD-skærmen berører basen (20) (A) eller baseadapteren (1), når du holder TV'et eller LCD-skærmen.

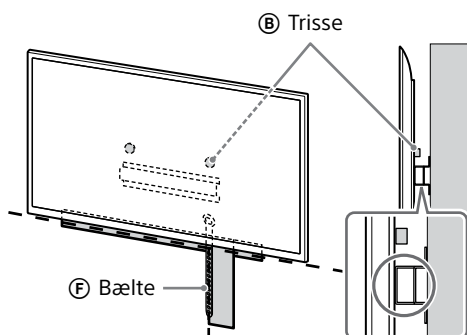
Bemærk

- Hold TV'et eller LCD-skærmen sikkert med begge hænder og sørg for, at bæltet (E) og bunden af TV'et eller LCD-skærmen er i overensstemmelse med afdækningstapen.

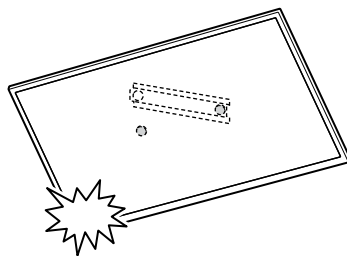
- Vær tre personer til at bære TV'et eller LCD-skærmen, og den person, der er foran TV'et eller LCD-skærmen, fører de andre til at justere placeringen.



- Vær meget forsigtig, når TV'et eller LCD-skærmen installeres på væggen, især for den person, der støtter TV'et eller LCD-skærmen nedeunder; TV'et eller LCD-skærmen kan falde og forårsage alvorlig kropsskade eller endda dødsfald.



- Slip begge hænder langsomt for at sikre, at TV'et eller LCD-skærmen ikke falder.

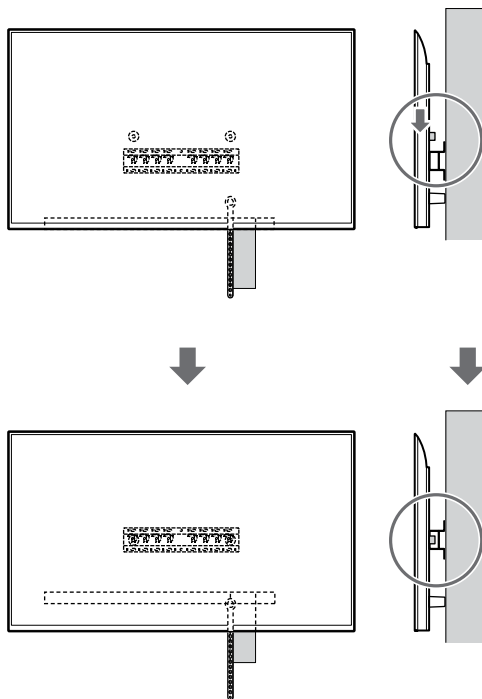
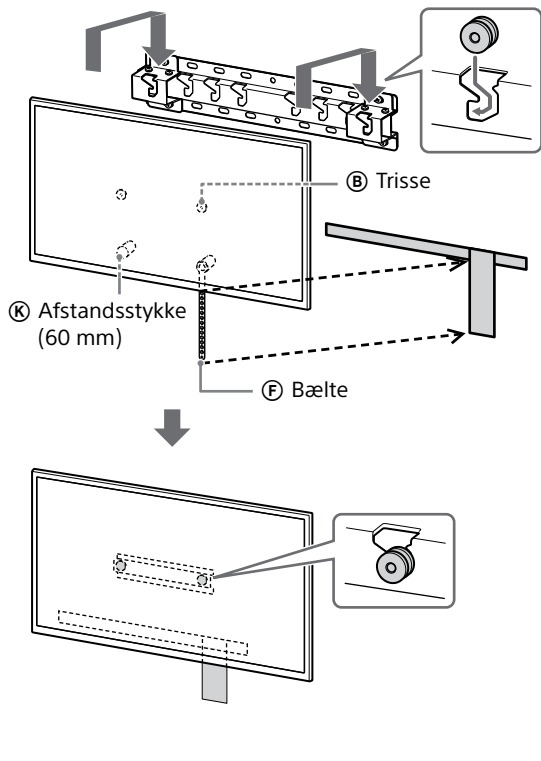


- Når du har installeret TV'et eller LCD-skærmen på væggen, skal du fjerne afdækningstapen osv. fra væggen.

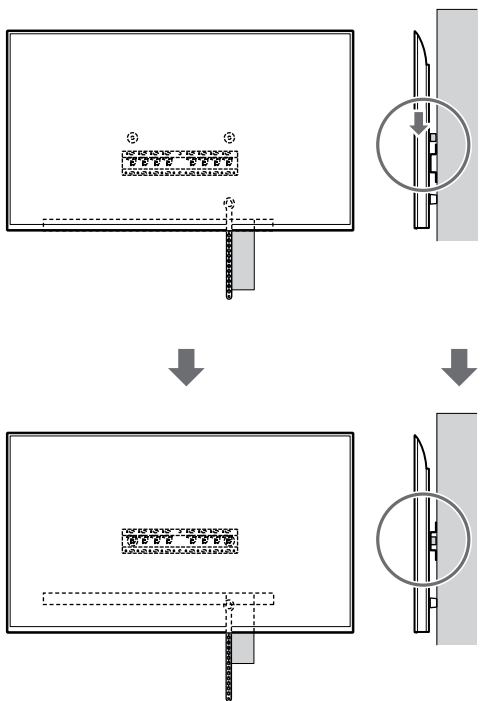
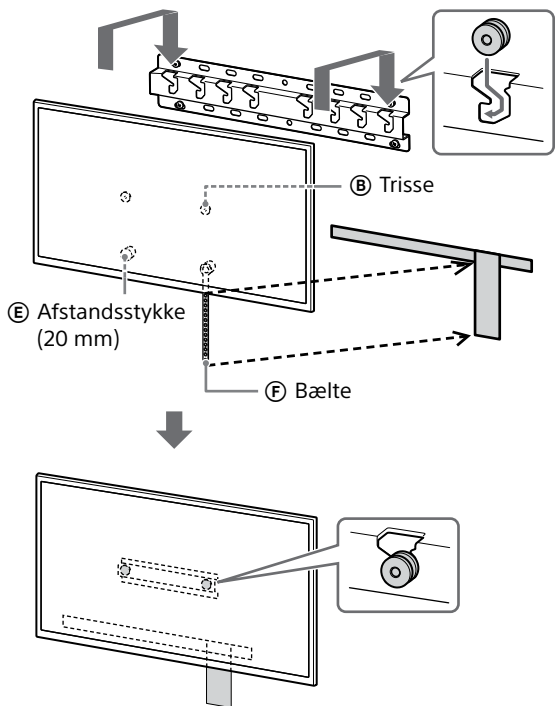
2 Installer TV'et eller LCD-skærmen på basen (20) ① eller baseadapteren ②.

- Lad forsigtigt TV'et eller LCD-skærmen glide ned og hæng trisserne ③, som er fastgjort bag på TV'et eller LCD-skærmen, til basen (20) ① eller baseadapteren ②, og bemærk hullernes form.
- Efter montering af TV'et eller LCD-skærmen på væggen kontrolleres, at trisserne ③ er fastgjort korrekt i basen (20) ① eller i baseadapteren ②.

Hvis der er valgt standardmontering (2-a):

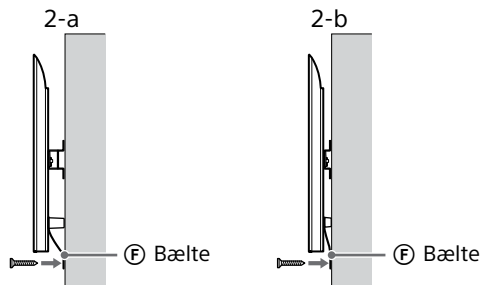


Hvis der er valgt smal-montering (2-b):



3 Sådan forhindres, at TV'ets eller LCD-skærmens bund flytter sig.

- Fastgør bæltet (F) ordentligt til væggen.



- Brug en skrue med en diameter på 5 mm eller tilsvarende (medfølger ikke).

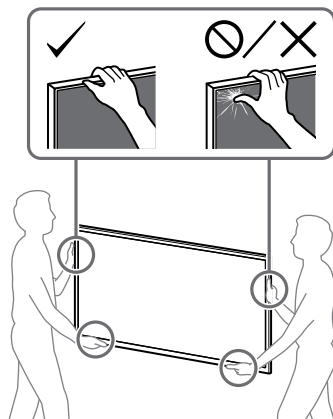
Bemærk

- Prøv forsigtigt at trække TV'ets eller LCD-skærmens bund mod dig selv for at sikre dig, at det ikke kan flyttes fremad. Hvis bunden kan flyttes, er den ikke fastgjort korrekt, og bæltet (F) skal sikres ordentligt igen.

Undtaget KD-85X8xL / 85X8xBL / 75X8xL / 75X8xBL, KM-85X8xL / 75X8xL, XR-85X9xL / 75X9xL, XRM-85X9xL / 75X9xL

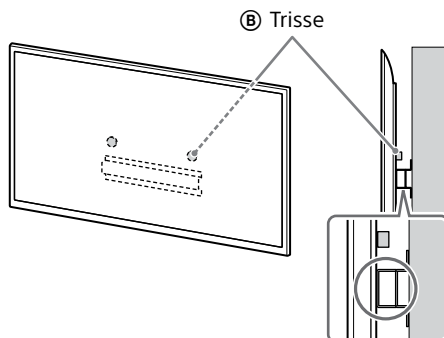
ADVARSEL

- Der er behov for to eller flere personer (tre personer eller flere til et TV eller en LCD-skærm på 189,3 cm (75 tommer) eller derover) for at transportere et stort TV eller en stor LCD-skærm (undtagen Egypten). Der er behov for to eller flere personer (tre personer eller flere til et TV eller en LCD-skærm på 75 tommer (189,3 cm) eller derover) for at transportere et stort TV eller en stor LCD-skærm (kun Egypten).



1 Løft TV'et eller LCD-skærmen.

- For placering af trisserne (B), der skal hænges på basen (20) (A) eller baseadapteren (I), se "Monteringssted for baseadapter (I)" på side 19.
- Sørg for, at bagsiden af TV'et eller LCD-skærmen berører basen (20) (A) eller baseadapteren (I), når du holder TV'et eller LCD-skærmen.

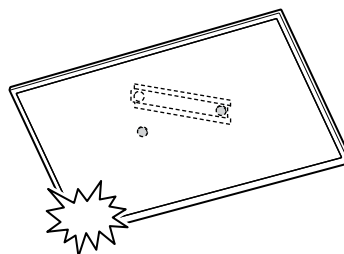


Bemærk

- Hold TV'et eller LCD-skærmen fast med begge hænder.

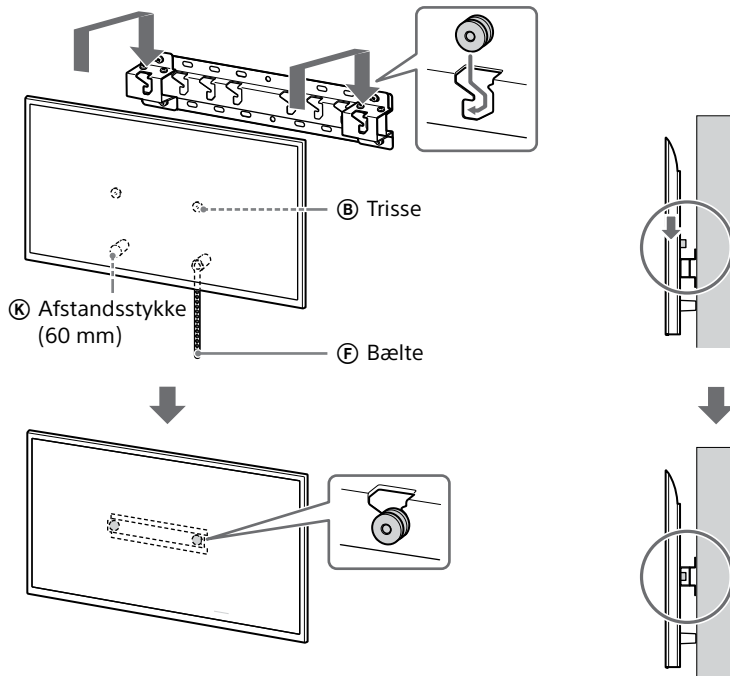
2 Installer TV'et eller LCD-skærmen på basen (20) (A) eller baseadapteren (I).

- Lad forsigtigt TV'et eller LCD-skærmen glide ned og hæng trisserne (B), som er fastgjort bag på TV'et eller LCD-skærmen, til basen (20) (A) eller baseadapteren (I), og bemærk hullernes form.
- Efter montering af TV'et eller LCD-skærmen på væggen kontrolleres, at trisserne (B) er fastgjort korrekt i basen (20) (A) eller i baseadapteren (I).
- Slip begge hænder langsomt for at sikre, at TV'et eller LCD-skærmen ikke falder.

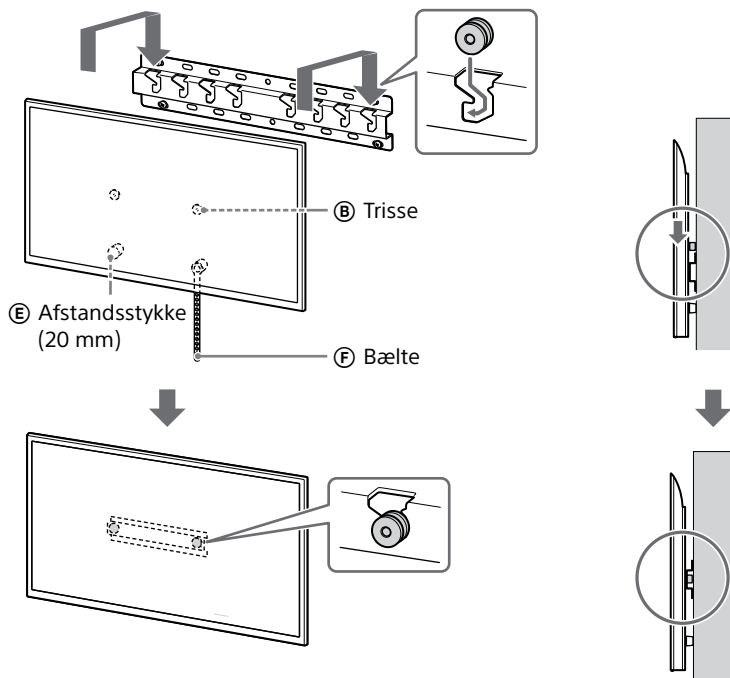


DK

Hvis der er valgt standardmontering (2-a):

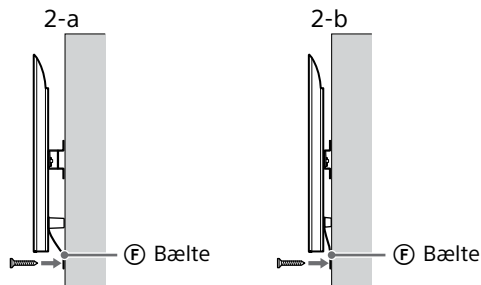


Hvis der er valgt smal-montering (2-b):



3 Sådan forhindres, at TV'ets eller LCD-skærmens bund flytter sig.

- Fastgør bæltet (F) ordentligt til væggen.



- Brug en skrue med en diameter på 5 mm eller tilsvarende (medfølger ikke).

Bemærk

- Prøv forsigtigt at trække TV'ets eller LCD-skærmens bund mod dig selv for at sikre dig, at det ikke kan flyttes fremad. Hvis bunden kan flyttes, er den ikke fastgjort korrekt, og bæltet (F) skal sikres ordentligt igen.

Kontroller monteringen

Kontroller følgende punkter.

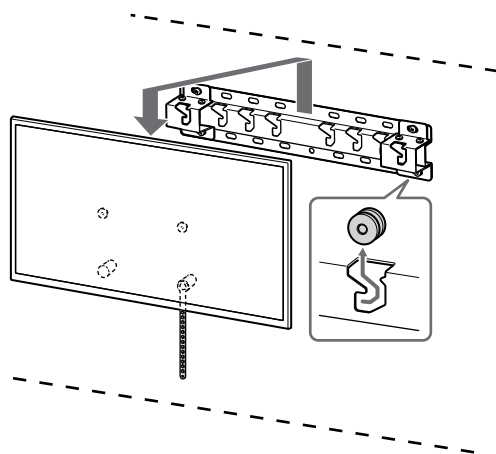
- Trisserne (B) skal hænge ordentlig i basen (20) (A) eller i baseadapteren (1).
- Ledningen og kablet må ikke være snoet eller klemt.
- Bæltet (F) skal være stramt uden at hænge.

ADVARSEL

- Forkert placering af strømkablet osv. kan medføre brand eller give elektrisk stød, hvis der opstår en kortslutning. Kontroller, at monteringen er sikker.

Flere oplysninger

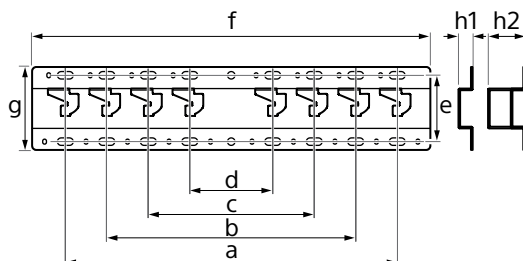
Hvis TV'et eller LCD-skærmen skal afmonteres, udføres monteringsproceduren i omvendt rækkefølge.



ADVARSEL

- Der er behov for to eller flere personer (tre personer eller flere til et TV eller en LCD-skærm på 189,3 cm (75 tommer) eller derover) for at transportere et stort TV eller en stor LCD-skærm (undtagen Egypten). Der er behov for to eller flere personer (tre personer eller flere til et TV eller en LCD-skærm på 75 tommer (189,3 cm) eller derover) for at transportere et stort TV eller en stor LCD-skærm (kun Egypten).

Specifikationer



Mål: (ca.) [mm]

- a : 400
- b : 300
- c : 200
- d : 100
- e : 80
- f : 480
- g : 100

h1 : 20 (til smal-montering, 2-b)

h2 : 60 (til standardmontering, 2-a)

Vægt (kun base): (ca.) [kg]

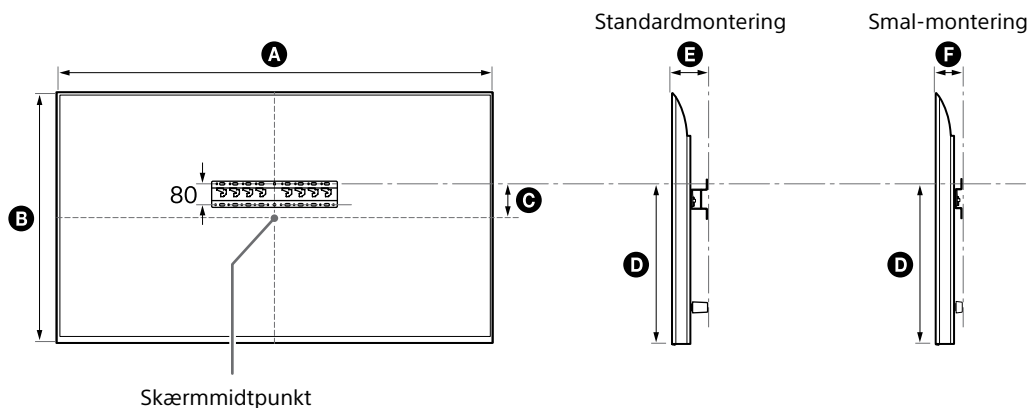
0,8

Design og specifikationer kan ændres uden varsel.

Referencer

Måling til montering af beslag til vægmontering på væggen

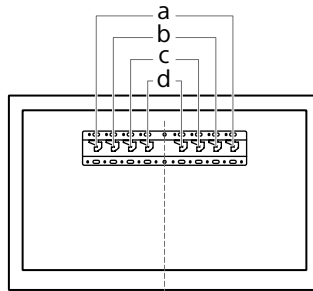
Tallene i oversigten kan variere en smule afhængigt af monteringen.



(mm)

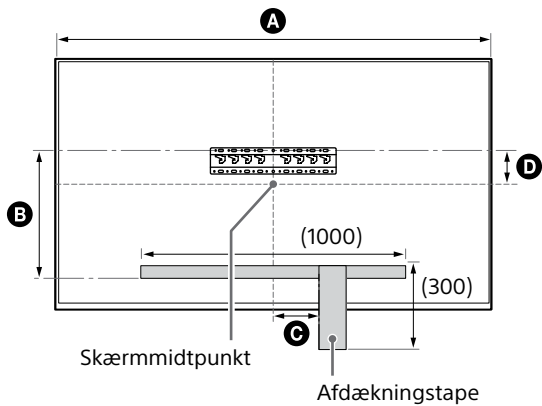
Modelnavn	A	B	C	D	E	F
KD-85X81BL / 85X80L KM-85X80L	1901	1090	43	592	138	96
XR-85X90L XRM-85X90L	1891	1085	58	607	125	83
KD-75X85L KM-75X85L	1671	960	21	508	123	81
KD-75X81BL / 75X80L KM-75X80L	1675	962	12	493	137	95
XR-75X90L XRM-75X90L	1668	959	21	508	123	81
KD-65X85L / 65X85BL KM-65X85L	1447	832	85	505	123	81
KD-65X81BL / 65X80L KM-65X80L	1452	836	76	494	135	93
XR-65X90L XRM-65X90L	1445	831	85	505	123	81
KD-55X85L KM-55X85L	1228	709	146	505	122	81
KD-55X81BL / 55X80L KM-55X80L	1233	713	133	494	135	93
XR-55X90L XRM-55X90L	1225	707	146	505	122	81
KD-50X80L KM-50X80L	1119	649	63	392	133	91
KD-43X80L KM-43X80L	964	563	111	392	133	91

Monteringssted for baseadapter ①



Modelnavn	Krogplacering	Modelnavn	Krogplacering
KD-85X81BL / 85X80L KM-85X80L XR-85X90L XRM-85X90L	a	KD-55X85L / 55X81BL / 55X80L KM-55X85L / 55X80L XR-55X90L XRM-55X90L	b
KD-75X85L / 75X81BL / 75X80L KM-75X85L / 75X80L XR-75X90L XRM-75X90L	b	KD-50X80L KM-50X80L	c
KD-65X85L / 65X85BL / 65X81BL / 65X80L KM-65X85L / 65X80L XR-65X90L XRM-65X90L	b	KD-43X80L KM-43X80L	c

Vægmarkering for installationssted for TV'et eller LCD-skærmen



(mm)

Modelnavn	A	B	C	D
KD-85X81BL / 85X80L KM-85X80L	1901	472	200	43
XR-85X90L XRM-85X90L	1891	486	200	58
KD-75X85L KM-75X85L	1671	388	150	21
KD-75X81BL / 75X80L KM-75X80L	1675	373	150	12
XR-75X90L XRM-75X90L	1668	388	150	21

Asennustiedot Sonyn seinäasennuskiinnittimen (SU-WL450) käyttämiseksi

Tuetut mallit*:

* Kyseisissä mallinimissä "x"/"xx" tarkoittaa kunkin mallin numeroita ja/tai merkkejä.

KD-85X8xL / 85X8xBL / 75X8xL / 75X8xBL / 65X8xL / 65X8xBL / 55X8xL / 55X8xBL / 50X8xL / 43X8xL

KM-85X8xL / 75X8xL / 65X8xL / 55X8xL / 50X8xL / 43X8xL

XR-85X9xL / 75X9xL / 65X9xL / 55X9xL

XRM-85X9xL / 75X9xL / 65X9xL / 55X9xL

Asiakkaille

Tuotteen suojelemiseksi ja turvallisuuden vuoksi Sony suosittelee, että TV:n tai LCD-näytön asennus annetaan Sonyn jälleenmyyjän tai luvallisen urakoitsijan tehtäväksi. Älä yritä asentaa sitä itse.

Sony-jälleenmyyjille ja urakoitsijoille

Kiinnitä erityistä huomiota turvallisuuteen tämän tuotteen asennuksen, huollon ja tarkastuksen aikana.

Tämän tuotteen asentaminen edellyttää riittävää ammattitaitoa erityisesti sen määrittämiseksi, kestäkö seinä TV:n tai LCD-näytön painon. Tämän tuotteen seinään asentaminen on jätettävä Sonyn jälleenmyyjän tai luvallisen urakoitsijan tehtäväksi ja asennuksen turvallisuuteen on kiinnitettävä riittävästi huomiota. Sony ei ole vastuussa mistään vahingosta tai vammoista, jotka johtuvat tuotteen väärästä käsittelystä tai asennuksesta.

Varmista turvallisuus ja asianmukainen asennus noudattamalla seinäasennuskiinnittimen käyttöohjeita, TV:n tai LCD-näytön asetusopasta ja tämän oppaan ohjeita.

Seinäasennuskiinnitin

Turvallisuus

Kiitos, että päätit ostaa tämän tuotteen.

Asiakkaille

TV:n tai LCD-näytön asennus seinälle



VAROITUS

VAATII AMMATTILAISEN ASENNUKSEN

Tämän tuotteen saa asentaa vain ammattimainen asentaja, joka osaa määrittää kestäväksi seinä TV:n tai LCD-näytön painon. Jos TV:tä tai LCD-näyttöä ei kiinnitetä oikein asennuksen aikana, se saattaa pudota ja aiheuttaa vakavan loukkaantumisen. Sony ei ole vastuussa vahingoista tai loukkaantumisesta, joka johtuu virheellisestä käsittelystä tai asennuksesta tai muun kuin määritetyn tuotteen asennuksesta. Tämä ei vaikuta (mahdollisiin) lakisääteisiin oikeuksiisi.

Sony-jälleenmyyjille

Tämän tuotteen asentaminen edellyttää riittävää ammattitaitoa. Lue tämä käyttöopas huolellisesti, jotta asennustyö olisi turvallista. Sony ei ole vastuussa mistään vahingosta tai vammoista, jotka johtuvat tuotteen väärästä käsittelystä tai asennuksesta. Anna tämä käyttöohje asiakkaalle asennuksen jälkeen.

Tässä käyttöoppaassa kuvataan tuotteen oikeaoppinen käsittely sekä tärkeät varoitimet onnettomuuksien estämiseksi. Käyttäjän vastuulla on lukea, ymmärtää läpikotaisin ja noudattaa kaikkia tämän käyttöoppaan ohjeita. Jos näin ei tehdä, seurauksena voi olla vakava henkilökohtainen loukkaantuminen tai omaisuusvahinkoa ja se voi mitätöidä takuun. Säilytä tämä käyttöohje tulevaa käyttöä varten.

Sonyn tuotteet on suunniteltu turvallisuutta ajatellen. Jos tuotteita käytetään väärin, seurauksena voi olla tulipalon, sähköiskun, tuotteen kaatumisen tai putoamisen aiheuttama vakava henkilövahinko. Huomioi turvallisuutta koskevat varoitimet tällaisten onnettomuuksien estämiseksi.

VAROTOIMET

Määritetyt tuotteet

Tämä seinäasennuskiinnitin on tarkoitettu käytettäväksi sille määritettyjen TV:iden tai LCD-näyttöjen kanssa. Tarkista TV:n tai LCD-näytön viiteoppaasta, että seinäasennuskiinnitintä voidaan käyttää.

Asiakkaille

VAROITUS

Jos seuraavia varotoimia ei noudateta, seurauksena voi olla tulipalon, sähköiskun tai tuotteen putoamisen aiheuttama vakava henkilövahinko tai kuolema.

Asennuksen saa suorittaa vain luvallinen urakoitsija. Pidä lapset poissa asennusalueelta asennuksen aikana.

Jos seinäasennuskiinnitintä tai TV:tä tai LCD-näyttöä ei asenneta oikein, seurauksena voi olla seuraavat onnettomuudet. Jätä asennus luvallisen urakoitsijan tehtäväksi.

- TV tai LCD-näyttö saattaa pudota ja aiheuttaa mustelmia, murtumia tai muun vakavan henkilövahingon.
- Jos seinä, johon seinäasennuskiinnitin asennetaan, on epävakaa, epätasainen tai se ei ole kohtisuorassa lattiaan nähden, yksikkö saattaa pudota ja aiheuttaa henkilö- tai omaisuusvahingon. Seinän on pystyttävä kantamaan vähintään neljä kertaa TV:n tai LCD-näytön paino. (Katso TV:n tai LCD-näytön paino sen viiteoppaasta.)
- Jos seinäasennuskiinnitintä ei ole asennettu seinälle tarpeeksi tukevasti, yksikkö saattaa pudota ja aiheuttaa henkilö- tai omaisuusvahingon.

Varmista, että TV:n tai LCD-näytön siirtää tai irrottaa luvallinen urakoitsija.

Jos muut kuin luvalliset urakoitsijat asentavat kuljettavat tai irrottavat TV:n tai LCD-näytön, se saattaa pudota ja aiheuttaa henkilö- tai omaisuusvahingon. Suuren TV:n tai LCD-näytön siirtämiseen tarvitaan vähintään kaksi henkilöä (189,3 cm:sen (75-tuumaisen) tai sitä suuremman TV:n tai LCD-näytön siirtämiseen tarvitaan vähintään kolme) (paitsi Egypti). Suuren TV:n tai LCD-näytön siirtämiseen tarvitaan vähintään kaksi henkilöä (75-tuumaisen (189,3 cm:sen) tai sitä suuremman TV:n tai LCD-näytön siirtämiseen tarvitaan vähintään kolme) (vain Egypti).

Älä irrota ruuveja tms. TV:n tai LCD-näytön kiinnityksen jälkeen.

Jos näin tehdään, TV tai LCD-näyttö saattaa pudota ja aiheuttaa henkilö- tai omaisuusvahingon.

Älä tee muutoksia seinäasennuskiinnittimen osiin.

Jos näin tehdään, seinäasennuskiinnitin saattaa pudota ja aiheuttaa henkilö- tai omaisuusvahingon.

Älä asenna muita laitteita kuin määritelty tuote.

Tämä seinäasennuskiinnitin on tarkoitettu käytettäväksi ainoastaan sille määritetyn tuotteen kanssa. Jos asennat muun kuin määritetyn laitteen, se saattaa pudota ja rikkoutua ja aiheuttaa henkilö- tai omaisuusvahingon.

Älä kohdista seinäasennuskiinnittimeen TV:n tai LCD-näytön lisäksi muuta kuormaa.

Älä ravista TV:tä tai LCD-näyttöä vasemmalle/oikealle tai ylös/alas.

Jos näin tehdään, TV tai LCD-näyttö saattaa pudota ja aiheuttaa henkilö- tai omaisuusvahingon.

Älä nojaa TV:hen tai LCD-näyttöön tai riipu siitä.

Älä nojaa TV:hen tai LCD-näyttöön tai riipu siitä, sillä se saattaa pudota ja aiheuttaa vakavan henkilövahingon.

VAROTOIMET

Jos seuraavia varotoimia ei noudateta, seurauksena voi olla henkilö- tai omaisuusvahinko.

- Muista säilyttää käyttämättömät osat varmassa tallessa tulevaa käyttöä varten. Pidä ne poissa lasten ulottuvilta.

Älä käytä liikaa voimaa tuotteen puhdistuksen tai huollon yhteydessä.

Älä paina TV:n tai LCD-näytön yläosilta liialla voimalla. Jos näin tehdään, TV tai LCD-näyttö saattaa pudota ja aiheuttaa henkilö- tai omaisuusvahingon.

Varoitimet

- Jos seinäasennuskiinnittimeen asennettua TV:tä tai LCD-näyttöä käytetään pitkään, TV:n tai LCD-näytön takana tai yläpuolella oleva seinäpinta voi värjäytyä tai tapetti irrota seinämateriaalista riippuen.
- Jos seinäasennuskiinnitin irrotetaan sen seinään asentamisen jälkeen, seinään jää ruuvireiät.
- Älä käytä seinäasennuskiinnitintä paikassa, johon kohdistuu mekaanista tärinää.

Seinäasennuskiinnittimen asentaminen

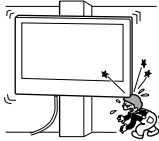
Sony-jälleenmyyjille

VAROITUS

Seuraavat ohjeet ovat ainoastaan Sony-jälleenmyyjille. Muista lukea edellä olevat turvallisuusvaroitimet ja kiinnitä erityistä huomiota turvallisuuteen tämän tuotteen asennuksen, huollon ja tarkastuksen aikana.

Älä asenna seinäasennuskiinnintä seinäpintoihin, joissa TV:n tai LCD-näytön kulmat tai sivut ulkonevat seinäpinnasta.

Älä asenna seinäasennuskiinnintä pylvääseen tai vastaaviin seinäpintoihin, joissa TV:n tai LCD-näytön kulmat tai sivut ulkonevat seinäpinnasta. Jos henkilö tai esine osuu TV:n tai LCD-näytön ulkonevaan kulmaan tai sivuun, seurauksena voi olla henkilö- tai omaisuusvahinko.

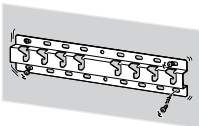


Älä asenna TV:tä tai LCD-näyttöä ilmastointilaitteen ylä- tai alapuolelle.

Jos TV tai LCD-näyttö altistuu ilmastointilaitteen vesivuodoille tai pitkiä aikoja ilmavirralle, seurauksena voi olla tulipalo, sähköisku tai TV:n tai LCD-näytön toimintahäiriö.

Muista asentaa seinäasennuskiinnitin tukevasti seinään tässä käyttöoppaassa annettujen ohjeiden mukaisesti.

Jos jokin ruuveista on löysällä tai pudonnut, seinäasennuskiinnitin saattaa pudota ja aiheuttaa henkilö- tai omaisuusvahingon. Muista käyttää seinämateriaalille sopivia ruuveja ja asenna yksikkö tukevasti vähintään neljällä 8 mm:n ruuvilla (tai vastaavalla).



Muista käyttää mukana toimitettuja ruuveja ja kiinnitysosia oikein ja noudata tässä käyttöoppaassa annettuja ohjeita. Jos käytät korvaavia osia, TV tai LCD-näyttö saattaa pudota ja aiheuttaa henkilövahingon tai vahingoittaa TV:tä tai LCD-näyttöä.

Muista koota kiinnitin oikein noudattamalla tässä käyttöoppaassa selitettyä menetelmää.

Jos jokin ruuveista on löysällä tai pudonnut, TV tai LCD-näyttö saattaa pudota ja aiheuttaa henkilövahingon tai itse TV:n tai LCD-näytön vaurioitumisen.

Muista kiristää ruuvit kunnolla tarkoitettuihin kohtiin.

Jos näin ei tehdä, TV tai LCD-näyttö saattaa pudota ja aiheuttaa henkilövahingon tai itse TV:n tai LCD-näytön vaurioitumisen.

Varo kohdistamasta TV:hen tai LCD-näyttöön iskuja asennuksen aikana.

Jos TV:hen tai LCD-näyttöön kohdistuu isku, se saattaa pudota tai rikkoutua ja tämä voi aiheuttaa henkilö- tai omaisuusvahingon.

TV tai LCD-näyttö on asennettava seinään, joka on sekä kohtisuora että tasainen.

Jos näin ei tehdä, TV tai LCD-näyttö saattaa pudota tai rikkoutua ja tämä voi aiheuttaa henkilö- tai omaisuusvahingon.

Kun TV tai LCD-näyttö on asennettu oikein, kiinnitä kaapelit kunnolla.

Jos henkilöitä tai esineitä sotkeutuu kaapeleihin, seurauksena saattaa olla henkilövahinko tai TV:n tai LCD-näytön vahingoittuminen.

Älä anna virtajohton ja liitäntäkaapelin jäädä puristuksiin.

Jos virtajohto tai liitäntäkaapeli jää puristuksiin laitteen ja seinän väliin tai niitä taitetaan tai kierretään voimalla, sisäiset johtimet voivat tulla näkyviin ja seurauksena on oikosulku tai katkos. Tämä voi aiheuttaa tulipalon tai sähköiskun.



Seinäasennuskiinnittimen seinäkiinnitykseen tarvittavat ruuvit eivät sisälly toimitukseen.

Käytä seinämateriaalille ja -rakenteelle sopivia ruuveja, kun kiinnität seinäasennuskiinnittimen.

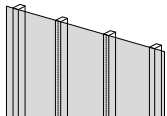
Ennen aloittamista

- Tässä käyttöoppaassa olevat TV:n tai LCD-näytön kuvitukset ovat esimerkkejä, joiden on tarkoitus auttaa antamaan selkeä käsitys toiminnoista. Tästä syystä kuvissa esitetty TV tai LCD-näyttö saattaa näyttää erilaiselta kuin todellisuudessa.

Mistä seinä on tehty?

Tarkista ensin seinätyyppi, johon TV tai LCD-näyttö asennetaan.

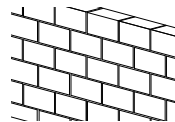
Kipsilevyseinä, jossa on koolaus



Varotoimet

- Kipsilevyseinän maksimipaksuus: 16 mm.
- Varmista, että sisäisen koolauspuun koko on vähintään 51 mm × 102 mm yleisesti tai 38 mm × 89 mm nimellisesti.

Betoniseinä tai tiiliseinä



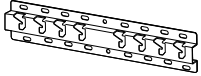








Varotoimet

- Kiinnitä seinäasennuskiinnitin suoraan betoniseinään.
- Varmista, että betoniseinän paksuus on vähintään 203 mm.
- Varmista, että kunkin tiilen koko on vähintään 203 mm × 203 mm × 406 mm.






Osien tarkistaminen

Toimitetaan SU-WL450:n mukana

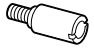
- Tarkista, että kaikki osat on toimitettu.

<p>Ⓐ Jalusta (20) (x1)</p> 	<p>Ⓑ Hihnapyörä (x2)</p> 	<p>Ⓒ Ruuvi (+PSW 6 x 20) (x4)</p> 	<p>Ⓔ Välike (20 mm) (x2)</p> 
<p>Ⓕ Hihna (x1)</p> 	<p>Ⓘ Jalustan sovitin (x2)</p> 	<p>Ⓙ Ruuvi (+PSW 4 x 10) (x8)</p> 	<p>Ⓚ Välike (60 mm) (x2)</p> 
<p>Ⓛ Ruuvi (+PSW 6 x 50) (x2)</p> 			

- Näitä osia ei saa käyttää TV-mallisi kanssa.

<p>Ⓓ Ruuvi (+PSW 4 x 20) ja holkki (x2)</p> 	<p>Ⓖ Holkki (20) (M4) (x2)</p> 	<p>Ⓚ Ruuvi (+PSW 4 x 20) (x2)</p> 	<p>Ⓜ Holkki (M4) (x2)</p> 
<p>Ⓝ Ruuvi (+PSW 4 x 50) (x2)</p> 			



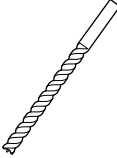
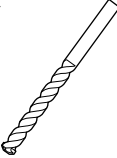
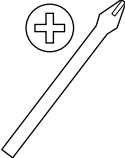
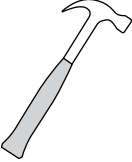
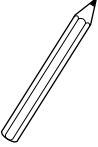
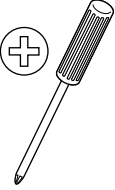
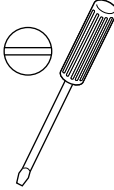




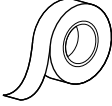
Toimitetaan TV:n tai LCD-näytön mukana

<p>Seinäasennuksen kiinnitysosa VS (x4)*</p> 

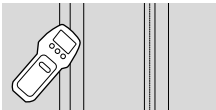
- * Vain tietyt alueet/maat/mallit.

Asennuksen valmistelu

- Ota TV:n tai LCD-näytön viiteopas ja asetusopas esille ennen asennusta.
- Tarkista TV:n tai LCD-näytön asennuskohta.
- Pidä valmiina vähintään neljä halkaisijaltaan 8 mm:n ja yksi 5 mm:n ruuvi tai vastaava (lisävaruste). Valitse seinämateriaalille sopivat ruuvit.
- Ota esille seuraavat työkalut:

*1 		 5,5 mm	 10 mm	
*2 		 1,5 N·m {15 kgf·cm}	*3  1,5 N·m {15 kgf·cm}	
	*2  (×4)	 (×4) 8 mm × 60 mm	 5 mm	
*4 				

*1 Vain kipsilevyseinä, jossa on koolaus



*2 Vain betoniseinä tai tiiliseinä

*3 mallista riippuen

*4 Vain TV:lle tai LCD-näytölle, jonka pituus on 189,3 cm (75 tuumaa) tai enemmän (paitsi Egypti)

Vain TV:lle tai LCD-näytölle, jonka pituus on 75 tuumaa (189,3 cm) tai enemmän (vain Egypti)

Seinäasennuskiinnittimen asentaminen seinälle

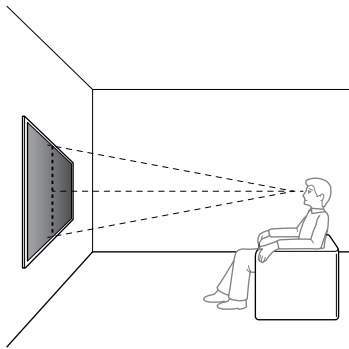
1 Määritä asennuspaikka.

Varmista, että seinä on riittävän iso TV:lle tai LCD-näytölle ja pystyy kantamaan vähintään neljä kertaa TV:n tai LCD-näytön painon.

Katso TV:n tai LCD-näytön paino TV:n tai LCD-näytön viiteoppaasta.

Huomautus

- Kun TV tai LCD-näyttö on asennettu seinälle, TV:n tai LCD-näytön yläreuna kallistuu hieman eteenpäin.
- Suosittelemme, että TV:n tai LCD-näytön sijainti tarkistetaan katseluympäristössä.



2 Valitse seinäasennustapa alla olevista vaihtoehdoista.

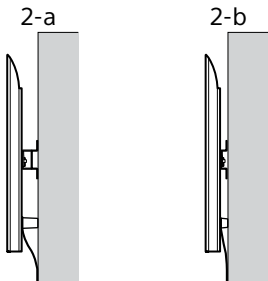
2-a: Normaali asennus

2-b: Kapea asennus

- Katso kohta "Mitat seinäasennuskiinnittimen seinälle asentamista varten" sivulla 18.

VAROITUS

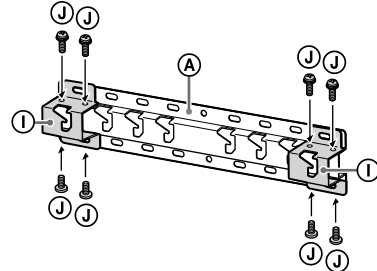
- Kun valitaan 2-b, pääsy takana oleviin liittimiin on rajallinen.



3 Jos on valittu normaali asennus (2-a):

Kiinnitä jalustan sovitin ① ruuvilla (+PSW 4 × 10) ② jalustaan (20) ③.

- Katso kohta "Jalustan sovitin ① asennuspaikka" sivulla 19.



Esim., jalustan sovitin ① asentaminen kohtaan "a"

3 Jos on valittu kapea asennus (2-b):

Ohita tämä vaihe.

4 Määritä ruuvien paikat jalustan (20) ③ asentamiseksi.

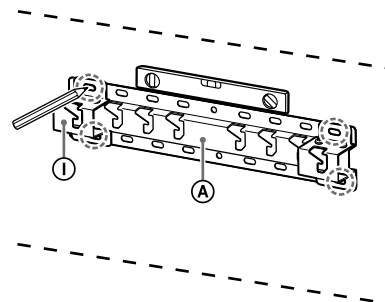
- Katso kohta "Tekniset tiedot" sivulla 17.

VAROITUS

- Määritä seinän kestävyys, johon TV tai LCD-näyttö asennetaan. Vahvasta seinää tarvittaessa riittävästi.
- Seinän, johon TV tai LCD-näyttö asennetaan, on pystyttävä kantamaan vähintään **neljä kertaa** TV:n tai LCD-näytön paino. (Katso TV:n tai LCD-näytön paino sen viiteoppaasta.)

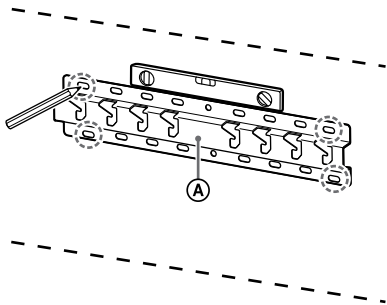
Jos on valittu normaali asennus (2-a):

Käytä jalustan sovitinissa ① olevia reikäkohtia.



Esim., merkintä kohdassa "a" jalustan (20) ③ sovitinista varten

Jos on valittu kapea asennus (2-b):

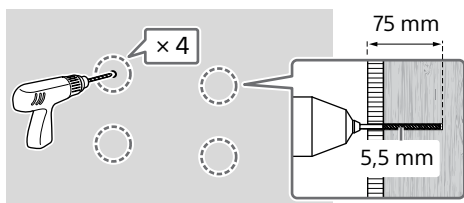


Esim., merkintä kohdassa "a" jalustan (20) (A) sovittamista varten

5 Poraaloitusreiät merkkien kohdalle.

Varmista, että seinän kohta, johon reiät porataan, on tarpeeksi kestävä kannattelemaan vähintään neljä kertaa TV:n tai LCD-näytön painon.

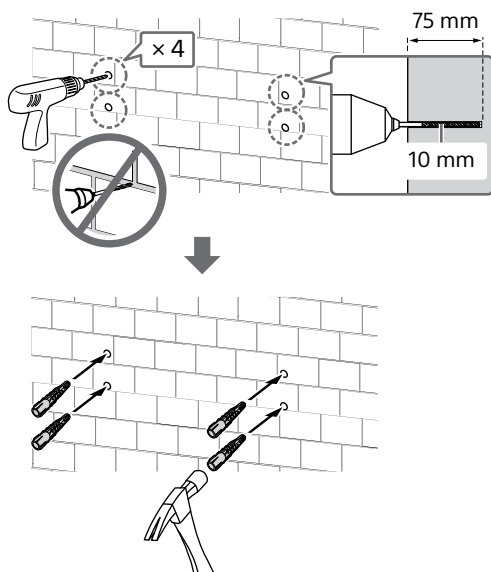
Kipsilevyseinän, jossa on koolaus, poraaminen:



Huomautus

- Aloitusreiät on porattava 75 mm:n syvyyteen halkaisijaltaan 5,5 mm:n poranterällä.

Betoniseinän tai tiiliseinän poraaminen:



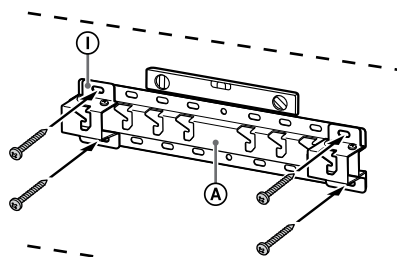
6 Asenna jalusta (20) (A) seinälle sopivilla ruuveilla (ei sisälly toimitukseen).

Huomautus

- Käytä vähintään neljää halkaisijaltaan 8 mm:n tai vastaavaa ruuvia (lisävaruste).
- Tarkista vatupassilla, että jalusta (20) (A) on suorassa.

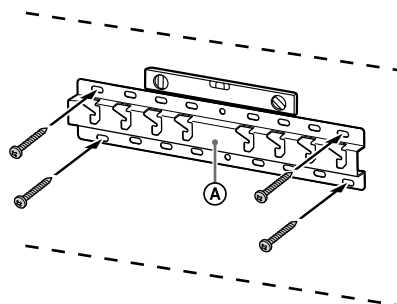
Jos on valittu normaali asennus (2-a):

Asenna neljä ruuvia jalustan sovittimeen (1) ja jalustaan (20) (A).



Esim., jalustan (20) (A) asentaminen kohtaan "a"

Jos on valittu kapea asennus (2-b):



Esim., jalustan (20) (A) asentaminen kohtaan "a"

7 Vain KD-85X8xL / 85X8xBL / 75X8xL / 75X8xBL, KM-85X8xL / 75X8xL, XR-85X9xL / 75X9xL, XRM-85X9xL / 75X9xL

Merkitse asennuspaikka seinään.

Merkitse TV:n tai LCD-näytön paikka jalustan (20) (A) tai jalustan sovittimen (1) läheisyyteen esim. maalarinteippiä (lisävaruste) käyttämällä.

- Katso kohta "TV:n tai LCD-näytön asennuspaikan seinämerkintä" sivulla 20.

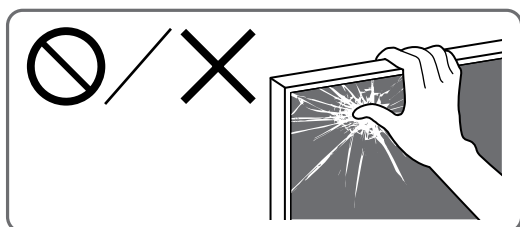
Paitsi KD-85X8xL / 85X8xBL / 75X8xL / 75X8xBL, KM-85X8xL / 75X8xL, XR-85X9xL / 75X9xL, XRM-85X9xL / 75X9xL

Ohita tämä vaihe.

TV:n tai LCD-näytön asennuksen valmistelu

Huomautus

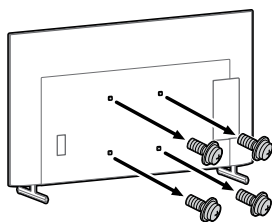
- Laita irrotetut ruuvit ja käyttämättömät osat talteen turvalliseen paikkaan, jossa ne ovat poissa lasten ulottuvilta.



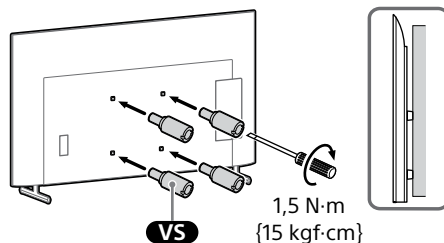
1 Kiinnitä pöytäjalusta TV:seen tai LCD-näyttöön, jotta saat sen pystyasentoon.

- Katso lisätietoja TV:n tai LCD-näytön Asetusoppaasta.

2 Irrota ruuvit TV:n tai LCD-näytön takaa.



3 Kiinnitä seinäasennuksen kiinnitysosa **VS** (sisältyy TV:n tai LCD-näytön toimitukseen) TV:n tai LCD-näytön takaosaan (jotta se on seinän kanssa samansuuntainen).



Huomautus

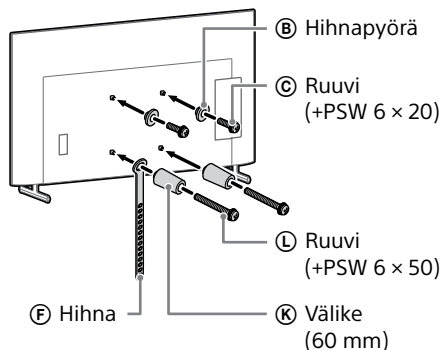
- Muista kiinnittää seinäasennuksen kiinnitysosa **VS**, kun kiinnität ne TV:hen tai LCD-näyttöön. Käytä seinäasennuksen kiinnitysosan **VS** asentamiseen vain litteäpäistä ruuvitalttaa. Muun työkalun käyttö saattaa johtaa seinäasennuksen kiinnitysosan **VS** liialliseen kiristämiseen ja TV:n tai LCD-näytön vahingoittumiseen.

4 Kiinnitä seinäasennuskiinnittimen kiinnitysosat. Tarkista kiinnitysosat sivun 6 kappaleen "Toimitetaan SU-WL450:n mukana" kohdasta "Osien tarkistaminen".

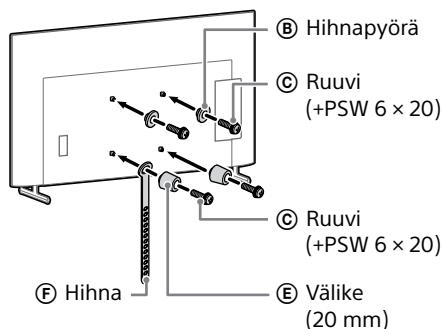
Huomautus

- Kiinnitä kiinnitysosat tukevasti käyttämällä ruuveja.
- Jos käytät sähkötoimista ruuvinväännintä, valitse kiristysvoiman asetukseksi noin 1,5 N·m {15 kgf·cm}.

Jos on valittu normaali asennus (2-a):



Jos on valittu kapea asennus (2-b):



5 Liitä tarvittava(t) kaapeli(t) TV:hen tai LCD-näyttöön.

Muista liittää kaapelit ennen TV:n tai LCD-näytön asennusta seinään. Kaapeleita ei voi liittää sen jälkeen, kun TV tai LCD-näyttö on asennettu.

Huomautus

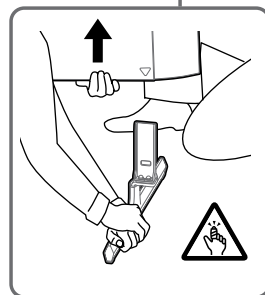
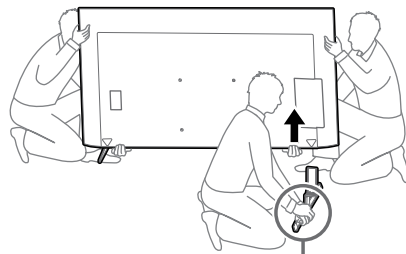
- Anna kaapeleiden seinään asentaminen luvallisen urakoitsijan tehtäväksi.
- Niputa liitântäkaapelit yhteen ennen seinäasennusta, jotta et astu niiden päälle.

6 Irrota pöytäjalusta TV:stä tai LCD-näytöstä.

Seuraavassa kuvassa on esimerkki toiminnasta.

Paitsi KD-75X85L / 65X85L / 65X85BL / 55X85L, KM-75X85L / 65X85L / 55X85L, XR-85X90L / 75X90L / 65X90L / 55X90L, XRM-85X90L / 75X90L / 65X90L / 55X90L

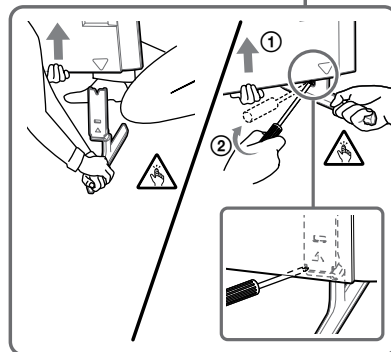
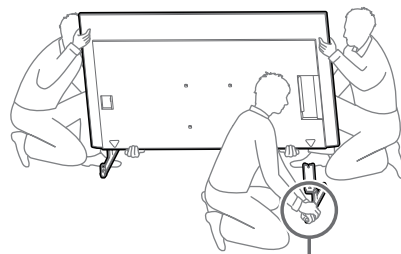
- Poista pöytäjalustan sivut yksi kerrallaan. Pitele pöytäjalustaa tukevasti molemmilla käsillä, kun toiset henkilöt nostavat TV:tä tai LCD-näyttöä.



- Toista edellinen vaihe ja poista pöytäjalustan toinen sivu.

Vain KD-75X85L / 65X85L / 65X85BL / 55X85L, KM-75X85L / 65X85L / 55X85L

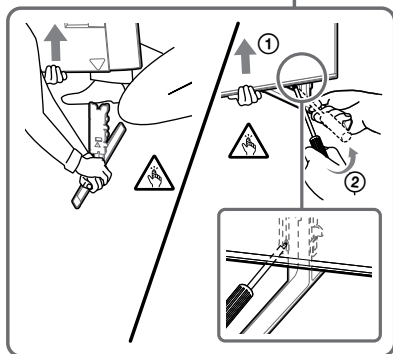
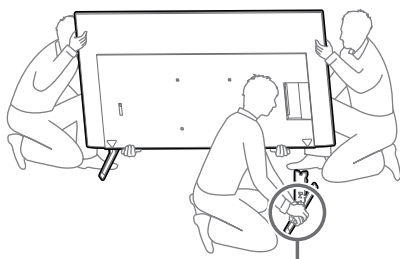
- Poista pöytäjalustan sivut yksi kerrallaan. Pitele pöytäjalustaa tukevasti molemmilla käsillä, kun toiset henkilöt nostavat TV:tä tai LCD-näyttöä.



- Toista edellinen vaihe ja poista pöytäjalustan toinen sivu.

Vain XR-85X90L / 75X90L / 65X90L /
55X90L, XRM-85X90L / 75X90L / 65X90L /
55X90L

- Poista pöytäjalustan sivut yksi kerrallaan. Pitele pöytäjalustaa tukevasti molemmilla käsillä, kun toiset henkilöt nostavat TV:tä tai LCD-näyttöä.



- Toista edellinen vaihe ja poista pöytäjalustan toinen sivu.

Huomautus

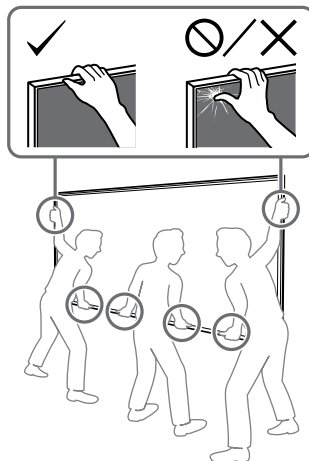
- Pöytäjalustan irrottamisessa tarvitaan vähintään kolme henkilöä.
- Varo käyttämästä liiallista voimaa irrottaessasi pöytäjalustaa TV:stä tai LCD-näytöstä, jotta TV-vastaanotin tai LCD-näyttö ei kaadu ja aiheuta henkilövahinkoa tai aineellista vahinkoa TV:lle tai LCD-näytölle itselleen.
- Käsittele pöytäjalustaa varovasti, jotta TV tai LCD-näyttö ei vahingoitu.
- Ole varovainen nostaessasi pöytäjalustasta irrotettua TV:tä tai LCD-näyttöä, sillä pöytäjalusta voi kaatua ja aiheuttaa henkilövahingon.
- Ole varovainen irrottaessasi pöytäjalustaa TV:stä tai LCD-näytöstä, jotta TV tai LCD-näyttö ei kaadu ja vahingoita sen alla olevaa pintaa.

TV:n tai LCD-näytön asennus seinään

Vain KD-85X8xL / 85X8xBL /
75X8xL / 75X8xBL, KM-85X8xL /
75X8xL, XR-85X9xL / 75X9xL,
XRM-85X9xL / 75X9xL

VAROITUS

- Suuren TV:n tai LCD-näytön siirtämiseen tarvitaan vähintään kaksi henkilöä (189,3 cm:sen (75-tuumaisen) tai sitä suuremman TV:n tai LCD-näytön siirtämiseen tarvitaan vähintään kolme) (paitsi Egypti). Suuren TV:n tai LCD-näytön siirtämiseen tarvitaan vähintään kaksi henkilöä (75-tuumaisen (189,3 cm:sen) tai sitä suuremman TV:n tai LCD-näytön siirtämiseen tarvitaan vähintään kolme) (vain Egypti).



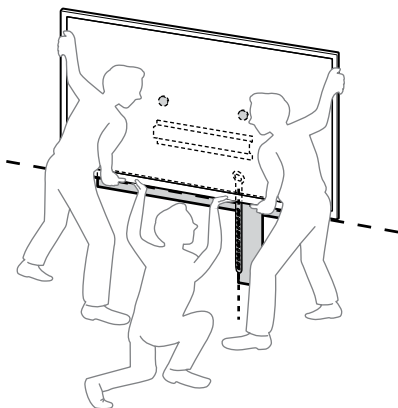
1 Nosta TV tai LCD-näyttö paikoilleen.

- Katso kohdasta "Jalustan sovittimen ① asennuspaikka" sivulta 19 hihnapyörien ② ripustuskohdat jalustassa (20) ③ tai jalustan sovittimessa ①.
- Varmista TV:tä tai LCD-näyttöä nostaessasi, että TV:n tai LCD-näytön takapuoli koskettaa jalustaa (20) ③ tai jalustan sovintia ①.

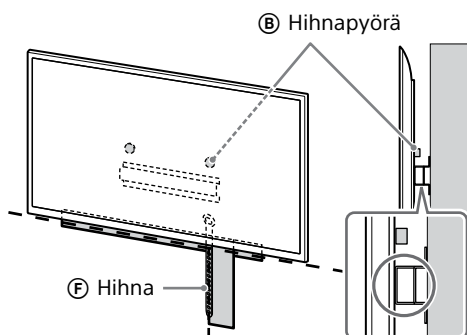
Huomautus

- Kannattele TV:tä tai LCD-näyttöä tukevasti molemmilla käsillä ja varmista, että hihna ② ja TV:n tai LCD-näytön alareuna ovat linjassa maalarinteipin kanssa.

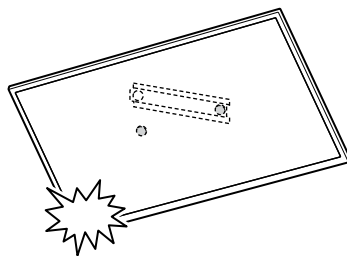
- Varmista, että TV:n tai LCD-näytön kantamiseen osallistuu kolme henkilöä, ja kannata laitetta siten, että TV:n tai LCD-näytön edessä seisova henkilö opastaa muita asennon säätämisessä.



- Ole varovainen asentaessasi TV:tä tai LCD-näyttöä seinälle ja varmista erityisesti TV:tä tai LCD-näyttöä alapuolelta kannattelevan henkilön turvallisuus, sillä TV tai LCD-näyttö voi aiheuttaa pudotessaan vakavan henkilövahingon tai kuoleman.



- Varmista, että TV tai LCD-näyttö ei putoa, irrottamalla otteesi varovasti.

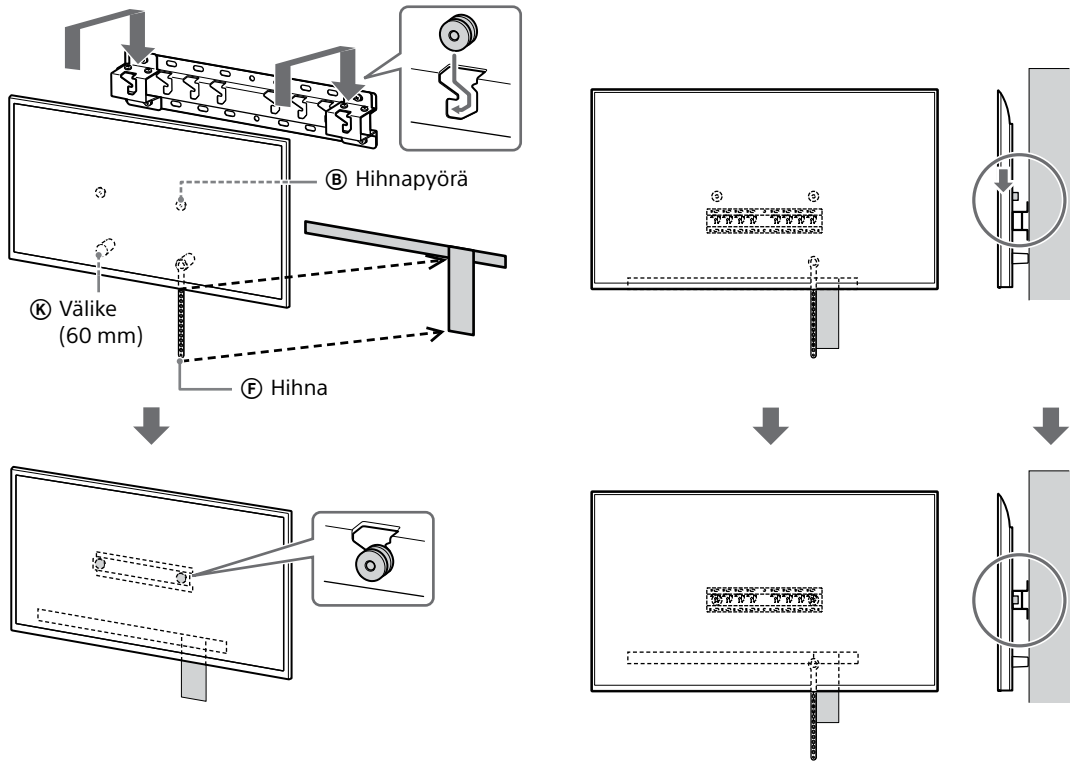


- Poista maalarinteippi seinästä, kun TV tai LCD-näyttö on asennettu paikoilleen.

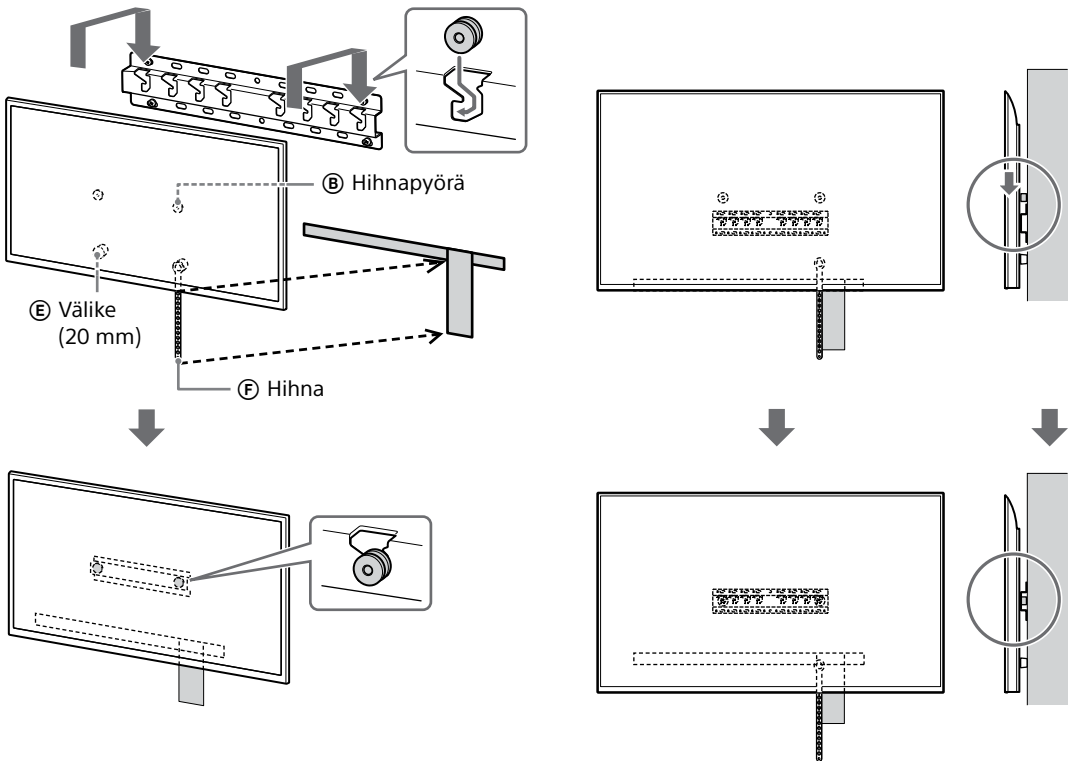
2 Asenna TV tai LCD-näyttö jalustaan (20) (A) tai jalustan sovittimeen (1).

- Liu'uta TV:tä tai LCD-näyttöä varovasti alaspäin ja ripusta TV:n tai LCD-näytön taakse kiinnitetyt hihnapyörät (B) jalustaan (20) (A) tai jalustan sovittimeen (1) siten, että ne ovat oikein rei'issä.
- Kun TV tai LCD-näyttö on asennettu seinään, tarkista, että hihnapyörät (B) ovat kunnolla kiinni jalustassa (20) (A) tai jalustan sovittimessa (1).

Jos on valittu normaali asennus (2-a):

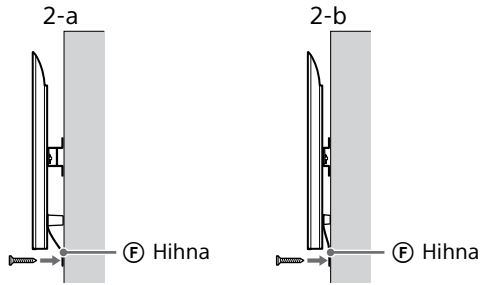


Jos on valittu kapea asennus (2-b):



3 TV:n tai LCD-näytön alaosan liikkumisen estäminen.

- Poista löysät hihnasta (F) ja kiinnitä se tukevasti seinään.



- Käytä halkaisijaltaan 5 mm:n ruuvia tai vastaavaa (lisävaruste).

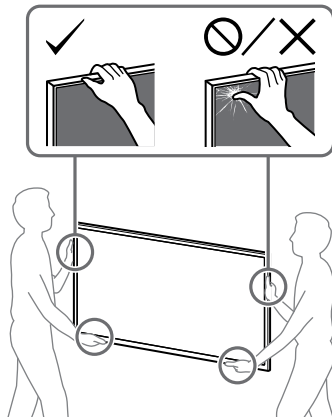
Huomautus

- Varmista yrittämällä vetää TV:n tai LCD-näytön alaosa hieman itseäsi kohti, ettei se liiku eteenpäin. Jos liikettä havaitaan, sitä ei ole kiinnitetty oikein ja hihna (F) on kiinnitettävä tukevasti uudelleen.

Paitsi KD-85X8xL / 85X8xBL / 75X8xL / 75X8xBL, KM-85X8xL / 75X8xL, XR-85X9xL / 75X9xL, XRM-85X9xL / 75X9xL

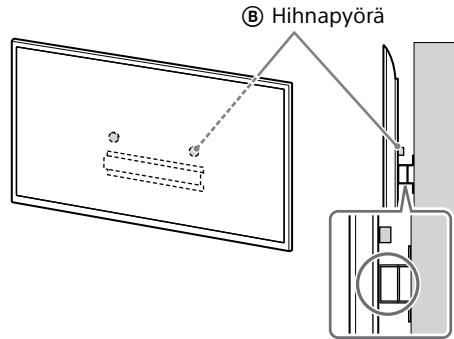
VAROITUS

- Suuren TV:n tai LCD-näytön siirtämiseen tarvitaan vähintään kaksi henkilöä (189,3 cm:sen (75-tuumaisen) tai sitä suuremman TV:n tai LCD-näytön siirtämiseen tarvitaan vähintään kolme) (paitsi Egypti). Suuren TV:n tai LCD-näytön siirtämiseen tarvitaan vähintään kaksi henkilöä (75-tuumaisen (189,3 cm:sen) tai sitä suuremman TV:n tai LCD-näytön siirtämiseen tarvitaan vähintään kolme) (vain Egypti).



1 Nosta TV tai LCD-näyttö paikoilleen.

- Katso kohdasta "Jalustan sovittimen (1) asennuspaikka" sivulta 19 hihnapyörien (B) ripustuskohdat jalustassa (20) (A) tai jalustan sovittimessa (1).
- Varmista TV:tä tai LCD-näyttöä nostaessasi, että TV:n tai LCD-näytön takapuoli koskettaa jalustaa (20) (A) tai jalustan sovitinta (1).

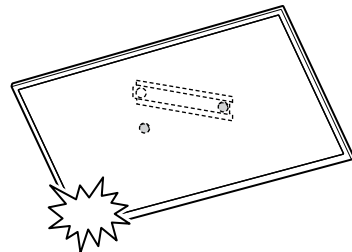


Huomautus

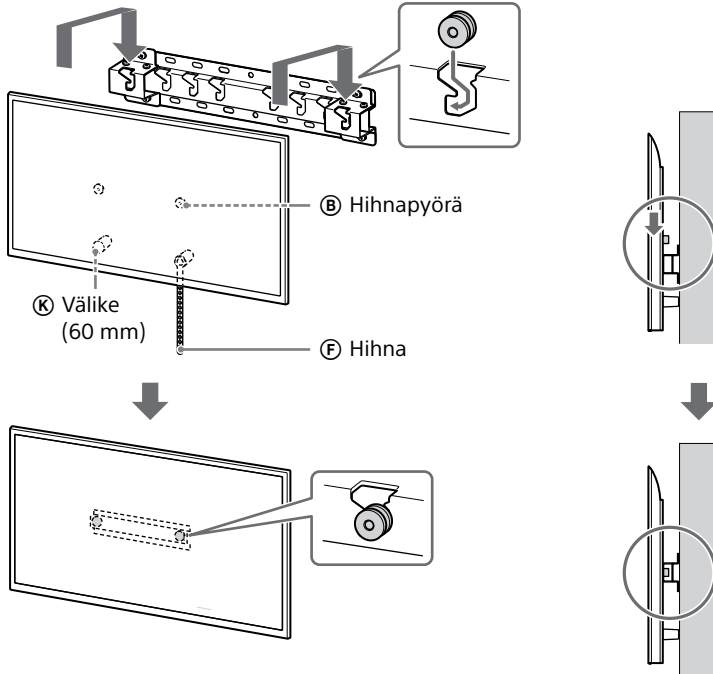
- Pidä TV:stä tai LCD-näytöstä kiinni tukevasti molemmilla käsillä.

2 Asenna TV tai LCD-näyttö jalustaan (20) (A) tai jalustan sovittimeen (1).

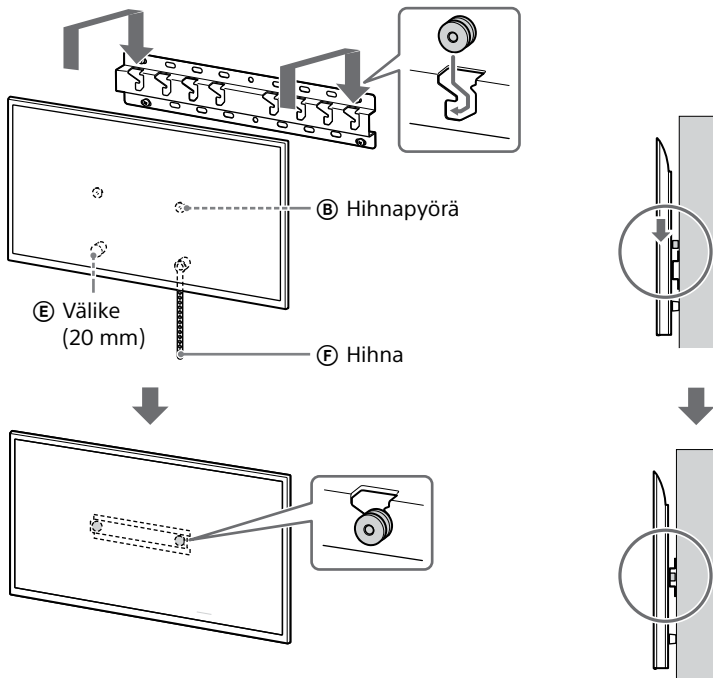
- Liu'uta TV:tä tai LCD-näyttöä varovasti alaspäin ja ripusta TV:n tai LCD-näytön taakse kiinnitetty hihnapyörät (B) jalustaan (20) (A) tai jalustan sovittimeen (1) siten, että ne ovat oikein rei'issä.
- Kun TV tai LCD-näyttö on asennettu seinään, tarkista, että hihnapyörät (B) ovat kunnolla kiinni jalustassa (20) (A) tai jalustan sovittimessa (1).
- Varmista, että TV tai LCD-näyttö ei putoa, irrottamalla otteesi varovasti.



Jos on valittu normaali asennus (2-a):

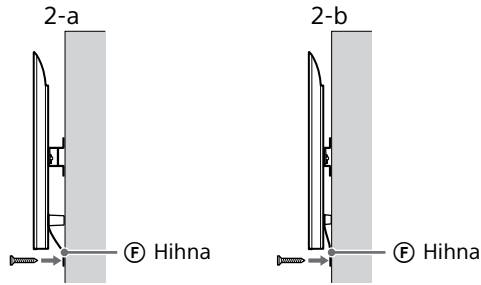


Jos on valittu kapea asennus (2-b):



3 TV:n tai LCD-näytön alaosan liikkumisen estäminen.

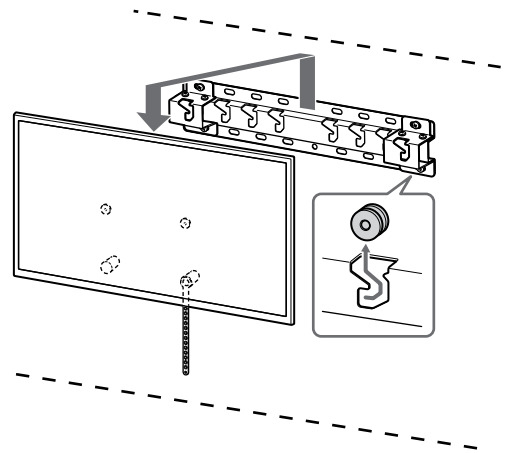
- Poista löysät hihnasta (F) ja kiinnitä se tukevasti seinään.



- Käytä halkaisijaltaan 5 mm:n ruuvia tai vastaavaa (lisävaruste).

Huomautus

- Varmista yrittämällä vetää TV:n tai LCD-näytön alaosa hieman itseäsi kohti, ettei se liiku eteenpäin. Jos liikettä havaitaan, sitä ei ole kiinnitetty oikein ja hihna (F) on kiinnitettävä tukevasti uudelleen.



VAROITUS

- Suuren TV:n tai LCD-näytön siirtämiseen tarvitaan vähintään kaksi henkilöä (189,3 cm:sen (75-tuumaisen) tai sitä suuremman TV:n tai LCD-näytön siirtämiseen tarvitaan vähintään kolme) (paitsi Egypti). Suuren TV:n tai LCD-näytön siirtämiseen tarvitaan vähintään kaksi henkilöä (75-tuumaisen (189,3 cm:sen) tai sitä suuremman TV:n tai LCD-näytön siirtämiseen tarvitaan vähintään kolme) (vain Egypti).

Asennuksen tarkistaminen

Tarkista seuraavat kohdat.

- Hihnapyörät (B) on ripustettu kunnolla jalustaan (20) (A) tai jalustan sovittimeen (1).
- Johto ja kaapeli eivät ole kiertyneenä tai puristuksissa.
- Hihna (F) on tiukalla eikä siinä ole löysää.

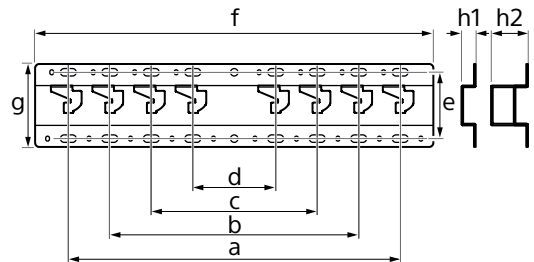
VAROITUS

- Virtajohton jne. virheellinen sijoitus saattaa aiheuttaa tulipalon tai sähköiskun oikosulun vuoksi. Muista tarkistaa valmis asennus turvallisuuden vuoksi.

Muuta tietoa

TV tai LCD-näyttö irrotetaan asennukseen nähden päinvastaisessa järjestyksessä.

Tekniset tiedot



Mitat: (noin) [mm]

- a : 400
- b : 300
- c : 200
- d : 100
- e : 80
- f : 480
- g : 100

h1 : 20 (kapeaa asennusta, 2-b, varten)

h2 : 60 (normaalia asennusta, 2-a, varten)

Paino (vain jalusta): (noin) [kg]

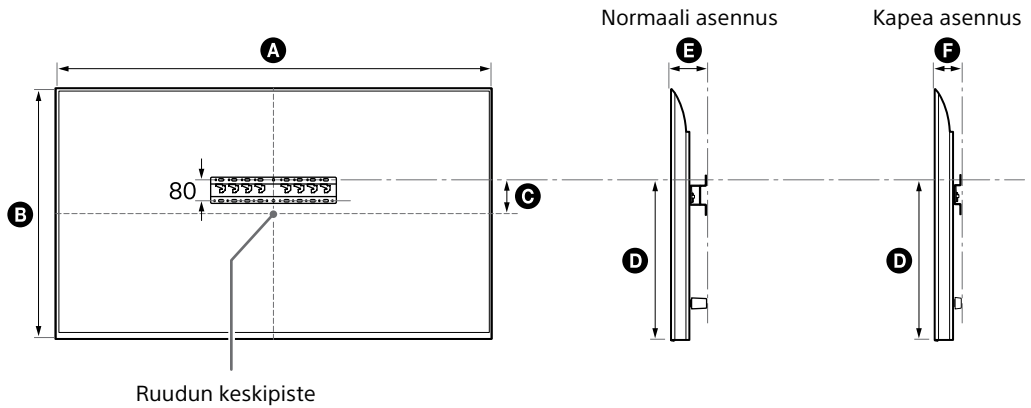
0,8

Rakennetta ja teknisiä ominaisuuksia voidaan muuttaa ilman ennakoilmoitusta.

Viitteet

Mitat seinäasennuskiinnittimen seinälle asentamista varten

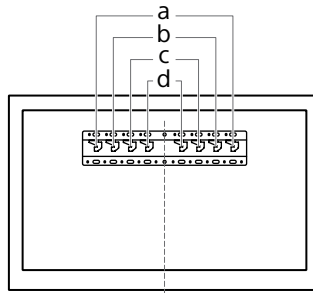
Taulukon arvot voivat vaihdella hieman asennuksen mukaan.



(mm)

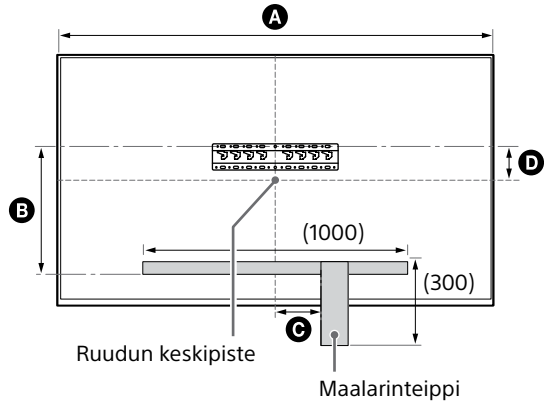
Mallinimi	A	B	C	D	E	F
KD-85X81BL / 85X80L KM-85X80L	1901	1090	43	592	138	96
XR-85X90L XRM-85X90L	1891	1085	58	607	125	83
KD-75X85L KM-75X85L	1671	960	21	508	123	81
KD-75X81BL / 75X80L KM-75X80L	1675	962	12	493	137	95
XR-75X90L XRM-75X90L	1668	959	21	508	123	81
KD-65X85L / 65X85BL KM-65X85L	1447	832	85	505	123	81
KD-65X81BL / 65X80L KM-65X80L	1452	836	76	494	135	93
XR-65X90L XRM-65X90L	1445	831	85	505	123	81
KD-55X85L KM-55X85L	1228	709	146	505	122	81
KD-55X81BL / 55X80L KM-55X80L	1233	713	133	494	135	93
XR-55X90L XRM-55X90L	1225	707	146	505	122	81
KD-50X80L KM-50X80L	1119	649	63	392	133	91
KD-43X80L KM-43X80L	964	563	111	392	133	91

Jalustan sovittimen ① asennuspaikka



Mallinimi	Koukun sijainti	Mallinimi	Koukun sijainti
KD-85X81BL / 85X80L KM-85X80L XR-85X90L XRM-85X90L	a	KD-55X85L / 55X81BL / 55X80L KM-55X85L / 55X80L XR-55X90L XRM-55X90L	b
KD-75X85L / 75X81BL / 75X80L KM-75X85L / 75X80L XR-75X90L XRM-75X90L	b	KD-50X80L KM-50X80L	c
KD-65X85L / 65X85BL / 65X81BL / 65X80L KM-65X85L / 65X80L XR-65X90L XRM-65X90L	b	KD-43X80L KM-43X80L	c

TV:n tai LCD-näytön asennuspaikan seinämerkintä



(mm)

Mallinimi	A	B	C	D
KD-85X81BL / 85X80L KM-85X80L	1901	472	200	43
XR-85X90L XRM-85X90L	1891	486	200	58
KD-75X85L KM-75X85L	1671	388	150	21
KD-75X81BL / 75X80L KM-75X80L	1675	373	150	12
XR-75X90L XRM-75X90L	1668	388	150	21

Installasjonsveiledning for bruk med Sony veggmonteringsbrakett (SU-WL450)

Støttede modeller*:

* I de faktiske modellnavnene, indikerer "x"/"xx" tall og/eller bokstaver som gjelder spesielt for hver modell.

KD-85X8xL / 85X8xBL / 75X8xL / 75X8xBL / 65X8xL / 65X8xBL / 55X8xL / 55X8xBL / 50X8xL / 43X8xL

KM-85X8xL / 75X8xL / 65X8xL / 55X8xL / 50X8xL / 43X8xL

XR-85X9xL / 75X9xL / 65X9xL / 55X9xL

XRM-85X9xL / 75X9xL / 65X9xL / 55X9xL

Til kunder

Av hensyn til produktets beskyttelse og sikkerheten, anbefaler Sony sterkt at TV-en eller LCD-skjermen installeres av Sony-forhandlere eller lisensierte entreprenører. Ikke forsøk å installere den selv.

Til Sony-forhandlere og -leverandører

Legg spesielt merke til sikkerheten under installasjonen, periodisk vedlikehold og ved undersøkelse av dette produktet.

Tilstrekkelig ekspertise er nødvendig for å installere dette produktet, spesielt for å fastslå at veggen kan klare TV-ens eller LCD-skjermens vekt. Overlat monteringen av dette produktet til Sony-forhandlere eller lisensierte entreprenører, og vær spesielt oppmerksom på sikkerheten under installasjon. Sony er ikke ansvarlig for eventuell skade eller personskade forårsaket av feil behandling eller installasjon.

Av sikkerhetsmessige årsaker og for korrekt installasjon må bruksanvisningene for veggmonteringsbraketten, innstillingsveiledningen for TV-en eller LCD-skjermen og retningslinjene i denne håndboken følges.

Veggmonteringsbrakett

Om sikkerheten

Takk for at du kjøpte dette produktet.

Til kunder

Montere TV-en eller LCD-skjermen på veggen



ADVARSEL

PROFESJONELL INSTALLASJON KREVES

Dette produktet bør kun installeres av en profesjonell installatør som er opplært til å fastslå styrken til veggen som skal holde oppe TV-ens eller LCD-skjermens vekt. Hvis TV-en eller LCD-skjermen ikke er riktig sikret under installasjon, kan den falle ned og føre til alvorlig personskade. Sony er ikke ansvarlige for skade eller personskade forårsaket av feil håndtering eller installasjon, eller installasjon av noe annet enn det spesifiserte produktet. Dine forbrukerrettigheter (hvis noen) påvirkes ikke.

Til Sony-forhandlere

Tilstrekkelig ekspertise er nødvendig for å montere dette produktet. Les nøye gjennom denne bruksanvisningen for å gjøre installasjonen på en trygg måte. Sony er ikke ansvarlige for skader eller personskader som oppstår som følge av feil håndtering eller installasjon. Gi denne håndboken til kunden etter installasjon.

Denne bruksanvisningen viser korrekt håndtering av produktet og viktige forholdsregler som er nødvendige for å forhindre uhell. Det er ditt ansvar å lese, grundig forstå og følge alle anvisninger i denne bruksanvisningen. Manglende evne til å gjøre dette kan føre til alvorlig personskade eller skade på eiendom, og kan annullere garantien. Ha denne håndboken tilgjengelig for fremtidig referanse.

Sonys produkter er utviklet med fokus på sikkerheten. Hvis produktene brukes feil, kan det derimot følge til alvorlig personskade på grunn av brann, elektrisk støt, produktet velter eller faller ned. Overhold forholdsreglene for sikkerhet for å forhindre slike uhell.

FORSIKTIG

Spesifiserte produkter

Denne veggmonteringsbraketten er utviklet for bruk med de oppgitte TV- eller LCD-skjermproduktene. For TV-er eller LCD-skjerm, se referanseveiledningene for å bekrefte at veggmonteringsbraketten kan brukes.

Til kunder

ADVARSEL

Hvis følgende forholdsregler ikke følges, kan alvorlig personskade eller dødsfall oppstå gjennom brann, elektrisk støt eller produktet kan falle ned.

Overlat installasjonen til lisensierte entreprenører og hold små barn unna under installasjonen.

Hvis veggmonteringsbraketten eller TV-en eller LCD-skjermen ikke installeres riktig, kan følgende uhell oppstå. Sørg for at lisensierte entreprenører utfører installasjonen.

- TV-en eller LCD-skjermen kan falle ned og forårsake en alvorlig personskade som et blåmerke eller et brudd.
- Hvis veggen som veggmonteringsbraketten installeres på er ustabil, ujevn eller ikke vinkelrett til gulvet, kan enheten falle ned og forårsake personskade eller skade på eiendom. Veggen skal kunne støtte en vekt på minst fire ganger TV-ens eller LCD-skjermens vekt. (Se TV-ens eller LCD-skjermens referanseveiledning for vekten til TV-en.)
- Hvis veggmonteringsbraketten ikke installeres solid nok på veggen, kan enheten falle ned og forårsake personskade eller skade på eiendom.

Overlat flytting eller demontering av TV-en eller LCD-skjermen til lisensierte entreprenører.

Hvis en annen person enn lisensierte entreprenører transporterer eller demonterer TV-en eller LCD-skjermen, kan den falle ned og forårsake personskade eller skade på eiendom. Et stort TV-apparat eller LCD-skjerm må bæres av to eller flere personer (tre eller flere personer for TV eller LCD-skjerm på 189,3 cm (75 tommer) og over) (unntatt Egypt). Et stort TV-apparat eller LCD-skjerm må bæres av to eller flere personer (tre eller flere personer for TV eller LCD-skjerm på 75 tommer (189,3 cm) og over) (kun Egypt).

Ikke fjern skruer e.l. etter montering av TV-en eller LCD-skjermen.

Hvis du gjør dette, kan TV-en eller LCD-skjermen falle ned og forårsake personskade eller skade på eiendom.

Ikke gjør endringer på delene til veggmonteringsbraketten.

Hvis du gjør dette, kan veggmonteringsbraketten falle ned og forårsake personskade eller skade på eiendom.

Ikke monter noe annet utstyr enn det spesifiserte produktet.

Denne veggmonteringsbraketten er utviklet for bruk med det spesifiserte produktet. Hvis du monterer annet utstyr enn det som er spesifisert, kan det falle ned eller ødelegges, og forårsake personskade eller skade på eiendom.

Ikke påfør noen annen vekt enn den fra TV-en eller LCD-skjermen på veggmonteringsbraketten.

Ikke rist TV-en eller LCD-skjermen til venstre/høyre eller opp/ned.

Hvis du gjør dette, kan TV-en eller LCD-skjermen falle ned og forårsake personskade eller skade på eiendom.

Ikke len deg på eller heng fra TV-en eller LCD-skjermen.

Ikke len deg på eller heng fra TV-en eller LCD-skjermen da den kan falle ned på deg og forårsake personskade.

FORSIKTIG

Hvis følgende forholdsregler ikke følges, kan personskade eller skade på eiendom oppstå.

- Oppbevar ubrukte deler på en trygg plass for fremtidig bruk. Hold dem unna barn.

Ikke håndter produktet med ekstrem kraft under rengjøring eller vedlikehold.

Ikke bruk ekstrem kraft på oversiden på TV-en eller LCD-skjermen. Hvis du gjør dette, kan TV-en eller LCD-skjermen falle ned og forårsake personskade eller skade på eiendom.

Forholdsregler

- Hvis du bruker TV-en eller LCD-skjermen montert på veggmonteringsbraketten over lang tid, kan veggen bak eller over TV-en eller LCD-skjermen bli misfarget eller tapeten kan løsne, avhengig av veggens materiale.
- Hvis veggmonteringsbraketten er fjernet etter at den er montert på veggen, står skruhellene igjen.
- Ikke bruk veggmonteringsbraketten på et sted hvor den er utsatt for mekaniske vibrasjoner.

Installere veggmonteringsbraketten

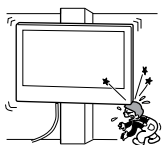
Til Sony-forhandlere

ADVARSEL

Følgende instruksjer er bare for Sony-forhandlere. Les sikkerhetsforholdsreglene beskrevet under og legg spesielt merke til sikkerheten under installasjon, vedlikehold og kontroll av dette produktet.

Ikke monter veggmonteringsbraketten på veggoverflater hvor hjørnene eller sidene av TV-en eller LCD-skjermen stikker frem fra veggoverflaten.

Ikke monter veggmonteringsbraketten på veggoverflater som en søyle hvor hjørnene eller sidene av TV-en eller LCD-skjermen stikker frem fra veggoverflaten. Hvis en person eller en gjenstand treffer det utstikkende hjørnet eller siden på TV-en eller LCD-skjermen, kan det føre til personskade eller skade på eiendom.

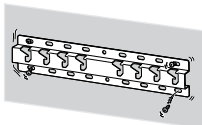


Ikke installer TV-en eller LCD-skjermen over eller under et klimaanlegg.

Hvis TV-en eller LCD-skjermen utsettes for vannlekkasjer eller luftstrøm fra et klimaanlegg over lang tid, kan dette forårsake brann, elektrisk støt eller en feifunksjon på TV-en eller LCD-skjermen.

Sørg for at du monterer veggmonteringsbraketten sikkert på veggen etter anvisningene i denne bruksanvisningen.

Hvis noen av skruene er løse eller faller ut, kan veggmonteringsbraketten falle ned og forårsake personskade eller skade på eiendom. Sørg for at du bruker riktige skruer etter materialet i veggen og installer enheten sikkert med fire eller flere skruer av størrelsen 8 mm diameter (eller tilsvarende).



Sørg for at du bruker de inkluderte skruene og tilkoblingsdelene på riktig måte etter anvisningene som er gitt i denne bruksanvisningen. Dersom du bruker erstattede deler, kan TV-en eller LCD-skjermen falle ned og forårsake personskade eller skade på TV-en eller LCD-skjermen.

Sørg for at du monterer braketten riktig etter anvisninger forklart i denne bruksanvisningen.

Dersom noen av skruene er løse eller faller ut, kan TV-en eller LCD-skjermen falle ned og forårsake personskade eller skade på TV-en eller LCD-skjermen.

Sørg for at du strammer skruene godt til i riktig posisjon.

Hvis du ikke vil gjøre dette, kan TV-en eller LCD-skjermen falle ned og forårsake personskade eller skade på TV-en eller LCD-skjermen.

Vær forsiktig så TV-en eller LCD-skjermen ikke utsettes for støt under installasjon.

Hvis TV-en eller LCD-skjermen utsettes for støt, kan den falle ned eller ødelegges. Dette kan forårsake personskade.

Sørg for at du installerer TV-en eller LCD-skjermen på en vegg som er både vinkelrett og flat.

Hvis du ikke gjør dette, kan TV-en eller LCD-skjermen falle ned og forårsake personskade.

Etter riktig installasjon av TV-en eller LCD-skjermen, må du feste kablene på riktig måte.

Hvis personer eller gjenstander blir viklet inn i kablene, kan dette føre til personskade eller skade på TV-en eller LCD-skjermen.

Ikke la strømledningen eller forbindelsesledningen komme i klem.

Hvis strømledningen eller forbindelsesledningen blir klemt mellom enheten og veggen, eller blir bøyd eller vridd med makt, kan de interne lederne bli eksponert og forårsake en kortslutning eller et elektrisk brudd. Dette kan forårsake brann eller elektrisk støt.



Skruene som er nødvendige for å sikre veggmonteringsbraketten til veggen følger ikke med.

Bruk skruer som passer for veggmaterialet og strukturen når du monterer veggmonteringsbraketten.

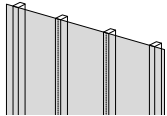
Før du kommer i gang

- Illustrasjonene for TV-en eller LCD-skjermen vist i denne håndboken er eksempler brukt for å gi tydelige forklaringer av operasjonene. Derfor kan illustrasjonene se annerledes ut enn din faktiske TV eller LCD-skjerm.

Hva er veggens laget av?

Kontroller først type vegg hvor TV-en eller LCD-skjermen skal monteres.

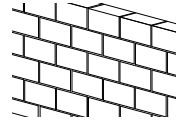
Gipsplate med stendere



Forholdsregler

- Maksimal tykkelse på gipsplate: 16 mm.
- Kontroller at den interne trestiftens størrelse er minst 51 mm × 102 mm for vanlig eller 38 mm × 89 mm for nominell.

Solid betong eller betongblokk



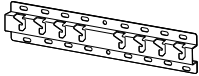








Forholdsregler

- Monter veggmonteringsbraketten direkte på veggens av solid betong.
- Kontroller at tykkelsen på veggens av solid betong er minst 203 mm.
- Kontroller at størrelsen på hver betongblokk er minst 203 mm × 203 mm × 406 mm.






Kontrollere delene

Inkludert med SU-WL450


- Bekreft at alle deler følger med.

<p>Ⓐ Sokkel (20) (x1)</p> 	<p>Ⓑ Trinse (x2)</p> 	<p>Ⓒ Skruer (+PSW 6 x 20) (x4)</p> 	<p>Ⓔ Avstandsstykke (20 mm) (x2)</p> 
<p>Ⓕ Belte (x1)</p> 	<p>Ⓘ Sokkeladapter (x2)</p> 	<p>Ⓙ Skruer (+PSW 4 x 10) (x8)</p> 	<p>Ⓚ Avstandsstykke (60 mm) (x2)</p> 
<p>Ⓛ Skruer (+PSW 6 x 50) (x2)</p> 			

- Disse delene kan ikke brukes til din modell.

<p>Ⓓ Skruer (+PSW 4 x 20) med hylse (x2)</p> 	<p>Ⓖ Hylse (20) (M4) (x2)</p> 	<p>Ⓚ Skruer (+PSW 4 x 20) (x2)</p> 	<p>Ⓜ Hylse (M4) (x2)</p> 
<p>Ⓝ Skruer (+PSW 4 x 50) (x2)</p> 			



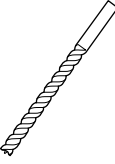
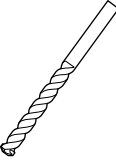
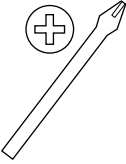
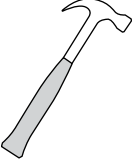
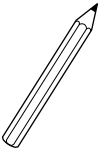
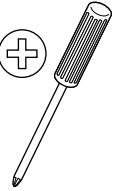
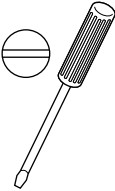





Inkludert med TV-en eller LCD-skjermen

<p>Veggmonteringsfeste VS (x4)*</p> 

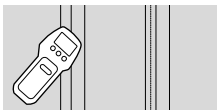
- * Kun for begrenset region/land/modell.

Forberede installasjonen

- Sørg for å ha TV-ens eller LCD-skjermens referanseveiledning og innstillingsveiledningen tilgjengelig før installasjonen.
- Bekreft posisjonen TV-en eller LCD-skjermen skal installeres i.
- Gjør klar fire eller flere skruer av 8 mm diameter og én skrue på 5 mm eller tilsvarende (medfølger ikke). Velg skruer som passer for materialet i veggen.
- Klargjør følgende verktøy:

*1 		 5,5 mm	 10 mm	
*2 		 1,5 N·m {15 kgf·cm}	*3  1,5 N·m {15 kgf·cm}	
	*2  (x4)	 (x4) 8 mm × 60 mm	 5 mm	
*4 				

*1 Kun for gipsplate med stendere



*2 Kun for solid betong eller betongblokk

*3 Avhengig av modeller

*4 Kun for TV eller LCD-skjerm 189,3 cm (75 tommer) og større (unntatt Egypt)
Kun for TV eller LCD-skjerm 75 tommer (189,3 cm) og større (kun Egypt)

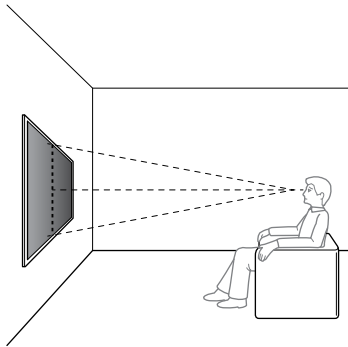
NO

Installere veggmonteringsbraketten på veggen

- 1 Bestemme installasjonsstedet.**
Sørg for at veggen har nok plass for TV-en eller LCD-skjermen og at den kan støtte en vekt på minst fire ganger TV-ens eller LCD-skjermens.
Se TV-ens eller LCD-skjermens referanseveiledning for TV-ens eller LCD-skjermens vekt.

Merknad

- Når TV-en eller LCD-skjermen er installert på veggen, lener øvre side av TV-en eller LCD-skjermen noe fremover.
- Vi anbefaler at du sjekker posisjonen til TV-en eller LCD-skjermen i visningsmiljøet.



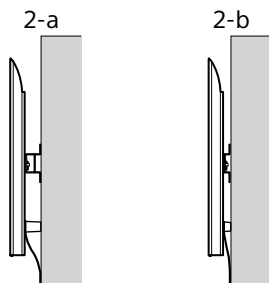
- 2 Velg veggmonteringsstil som vist nedenfor.**

2-a: Standard montering
2-b: Tynn montering

- Se "Måling for montering av veggmonteringsbrakett på veggen" på side 18.

ADVARSEL

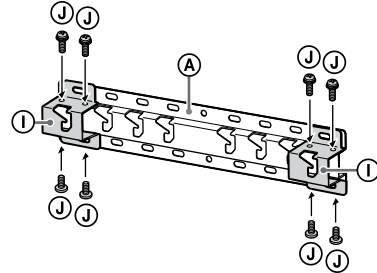
- Når 2-b er valgt, er tilgang til bakre terminal begrenset.



- 3 Dersom standard montering (2-a) er valgt:**

Monter sokkeladapter ① ved hjelp av skruer (+PSW 4 × 10) ② til sokkel (20) ③.

- Se "Monteringssted for sokkeladapter ①" på side 19.



F.eks., montering av sokkeladapter ① på plassering "a"

- Dersom tynn montering (2-b) er valgt:**

Hopp over dette trinnet.

- 4 Bestem posisjonene til skruene for å installere sokkelen (20) ③.**

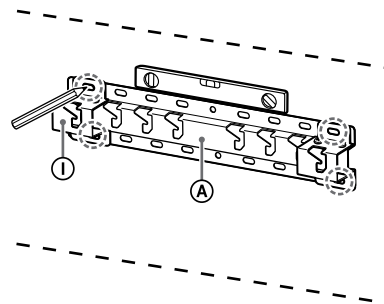
- Se "Spesifikasjoner" på side 17.

ADVARSEL

- Bestem styrken til veggen som TV-en eller LCD-skjermen skal monteres på. Gjør veggen sterkere ved behov.
- Veggen som TV-en eller LCD-skjermen skal monteres på skal kunne støtte en vekt på minst **fire ganger** TV-ens eller LCD-skjermens referanseveiledning for vekten til TV-en.)

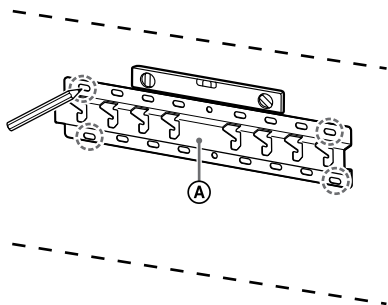
- Dersom standard montering (2-a) er valgt:**

Bruk hullposisjonene til sokkeladapter ①.



F.eks., merking på plassering "a" for montering av sokkel (20) ③

Dersom tynn montering (2-b) er valgt:

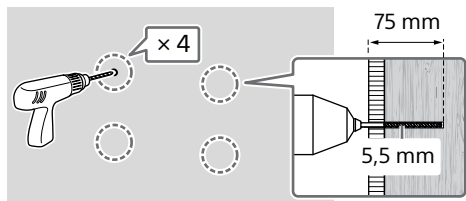


F.eks., merking på plassering "a" for montering av sokkel (20) Ⓐ

5 Drill lede hull på merkene.

Forsikre deg om at plasseringen på veggen for å bore hullene er sterk nok til å støtte en vekt på minst fire ganger vekten til TV-en eller LCD-skjermen.

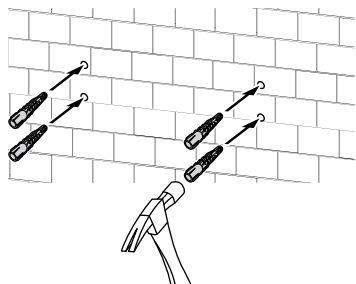
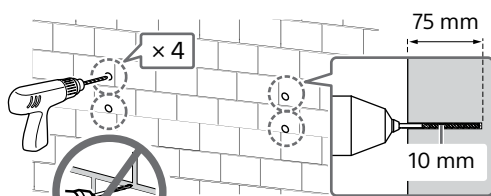
Boring på gipsplate med stendere:



Merknad

- Prøvehullene må bores til en dybde på 75 mm med en drillbit på 5,5 mm diameter.

Boring på solid betong eller betongblokk:



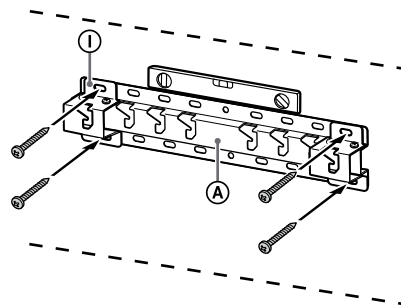
6 Monter sokkel (20) Ⓐ på veggen med passende skruer (medfølger ikke).

Merknad

- Bruk fire eller flere skruer av 8 mm diameter eller tilsvarende (medfølger ikke).
- Bruk et vater for å sjekke om sokkelen (20) Ⓐ er plan.

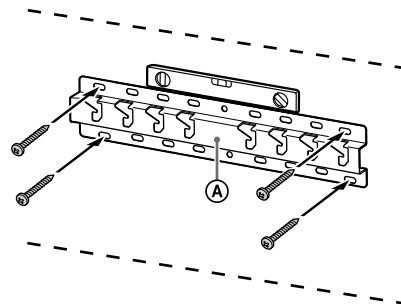
Dersom standard montering (2-a) er valgt:

Sett fire skruer inn i hullene på sokkeladapteren ① med sokkel (20) Ⓐ.



F.eks., montering av sokkel (20) Ⓐ på plassering "a"

Dersom tynn montering (2-b) er valgt:



F.eks., montering av sokkel (20) Ⓐ på plassering "a"

7 Kun KD-85X8xL / 85X8xBL / 75X8xL / 75X8xBL, KM-85X8xL / 75X8xL, XR-85X9xL / 75X9xL, XRM-85X9xL / 75X9xL

Marker installasjonsstedet på veggen.

Bruk maskeringstape osv. (medfølger ikke) for å merke plasseringen av TV-en eller LCD-skjermen i nærheten av sokkelen (20) Ⓐ eller sokkeladapteren ①.

- Se "Veggmerking for monteringssted for TV eller LCD-skjerm" på side 20.

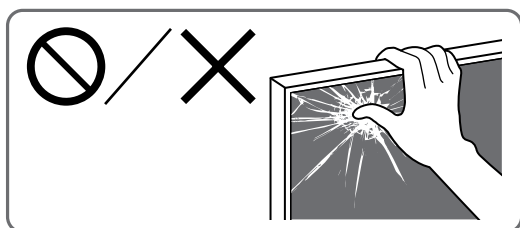
NO

Gjelder ikke KD-85X8xL / 85X8xBL / 75X8xL / 75X8xBL, KM-85X8xL / 75X8xL, XR-85X9xL / 75X9xL, XRM-85X9xL / 75X9xL
Hopp over dette trinnet.

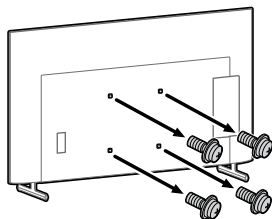
Forberede installasjonen av TV-en eller LCD-skjermen

Merknad

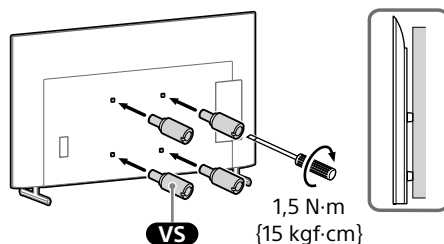
- Sørg for at ubrukte deler og skruene du har fjernet blir oppbevart på en trygg plass, utenfor barns rekkevidde.



- 1 Fest bordstativet for å gjøre TV-en eller LCD-skjermen stående.
 - Se innstillingsveiledningen for din TV eller LCD-skjerm.
- 2 Fjern skruene fra baksiden av TV-en eller LCD-skjermen.



- 3 Fest veggmonteringsfestet **VS** (følger med TV-en eller LCD-skjermen) bak på TV-en eller LCD-skjermen (for å gjøre den parallell med veggen).



Merknad

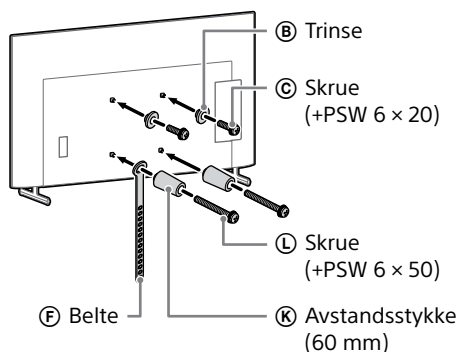
- Sørg for å feste veggmonteringsfestet **VS** når de festes til TV-en eller LCD-skjermen. Bruk kun en flat skrutrekker til å installere veggmonteringsfestet **VS**. Bruk av et annet verktøy kan føre til overstrømming av veggmonteringsfestet **VS** og skade på TV-en eller LCD-skjermen.

- 4 Fest tilkoblingsdelene for veggmonteringsbraketten. Kontroller festedelene ved å henvise til "Inkludert med SU-WL450" i "Kontrollere delene" på side 6.

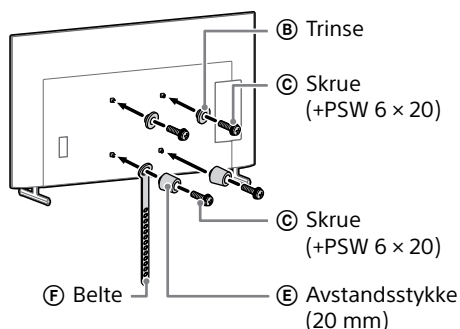
Merknad

- Fest tilkoblingsdelene sikkert med skruer.
- Når du bruker en elektrisk skrumaskin, still inn tiltrekkingmomentet til ca. 1,5 N·m (15 kgf·cm).

Dersom standard montering (2-a) er valgt:



Dersom tynn montering (2-b) er valgt:



5 Koble de(n) nødvendige kabelen(e) til TV-en eller LCD-skjermen.

Sørg for at kablene kobles til før du installerer TV-en eller LCD-skjermen på veggen. Du kan ikke koble til kablene når TV-en eller LCD-skjermen er installert.

Merknad

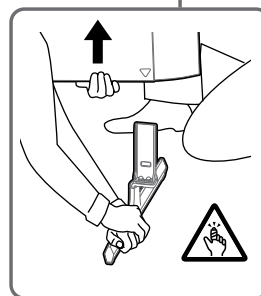
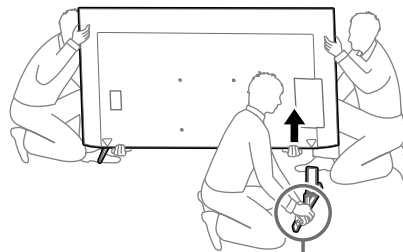
- Overlat kabelføring inne i veggen til en lisensiert entreprenør.
- Før veggmontering bør du samle sammen tilkoblingskablene for å hindre at du trækker på dem.

6 Demonter bordstativet fra TV-en eller LCD-skjermen.

Den følgende illustrasjonen er et eksempel på operasjonen.

Gjelder ikke KD-75X85L / 65X85L / 65X85BL / 55X85L, KM-75X85L / 65X85L / 55X85L, XR-85X90L / 75X90L / 65X90L / 55X90L, XRM-85X90L / 75X90L / 65X90L / 55X90L

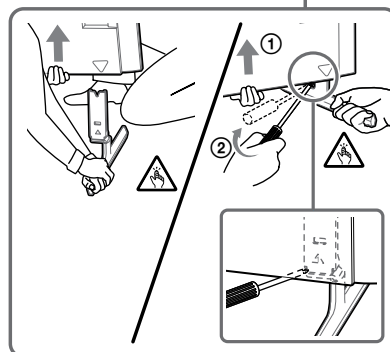
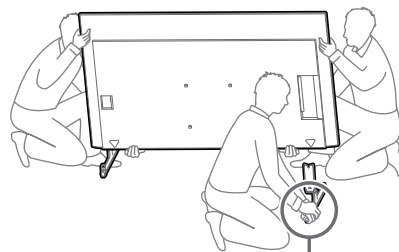
- Fjern den ene siden av bordstativet om gangen. Hold bordstativet godt fast med begge hender mens den andre personen løfter opp TV-en eller LCD-skjermen.



- Gjenta det forrige trinnet og fjern den andre siden av bordstativet.

Kun KD-75X85L / 65X85L / 65X85BL / 55X85L, KM-75X85L / 65X85L / 55X85L

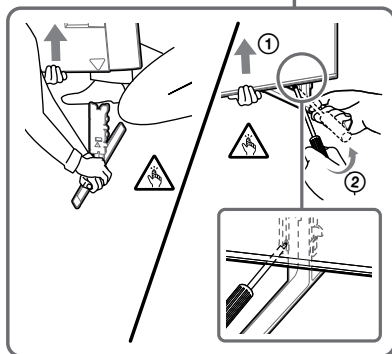
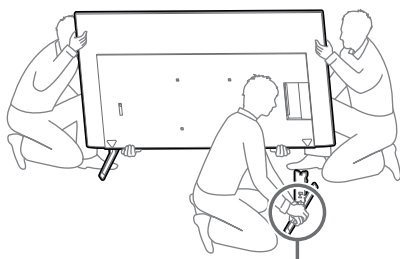
- Fjern den ene siden av bordstativet om gangen. Hold bordstativet godt fast med begge hender mens den andre personen løfter opp TV-en eller LCD-skjermen.



- Gjenta det forrige trinnet og fjern den andre siden av bordstativet.

Kun XR-85X90L / 75X90L / 65X90L /
55X90L, XRM-85X90L / 75X90L / 65X90L /
55X90L

- Fjern den ene siden av bordstativet om gangen. Hold bordstativet godt fast med begge hender mens den andre personen løfter opp TV-en eller LCD-skjermen.



- Gjenta det forrige trinnet og fjern den andre siden av bordstativet.

Merknad

- Tre eller flere personer er nødvendig for å løsne bordstativet.
- Vær forsiktig så du ikke bruker for mye kraft når bordstativet løsnes fra TV-en eller LCD-skjermen, da dette kan medføre at TV-en eller LCD-skjermen faller ned og også medføre personskader eller fysiske skader på TV-en eller LCD-skjermen.
- Vær forsiktig ved håndtering av bordstativet for å hindre skader på TV-en eller LCD-skjermen.
- Vær forsiktig når TV-en eller LCD-skjermen løftes, da bordstativet er løsnet, bordstativet kan vippe over og medføre personskader.
- Vær forsiktig når bordstativet fjernes fra TV-en eller LCD-skjermen for å hindre at det faller ned og skader overflaten på TV-en eller LCD-skjermen som det er festet til.

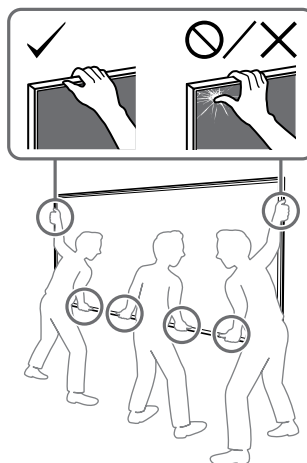
Installere TV-en eller LCD-skjermen på veggen

Kun KD-85X8xL / 85X8xBL /
75X8xL / 75X8xBL, KM-85X8xL /
75X8xL, XR-85X9xL / 75X9xL,
XRM-85X9xL / 75X9xL

ADVARSEL

- Et stort TV-apparat eller LCD-skjerm må bæres av to eller flere personer (tre eller flere personer for TV eller LCD-skjerm på 189,3 cm (75 tommer) og over) (unntatt Egypt).

Et stort TV-apparat eller LCD-skjerm må bæres av to eller flere personer (tre eller flere personer for TV eller LCD-skjerm på 75 tommer (189,3 cm) og over) (kun Egypt).



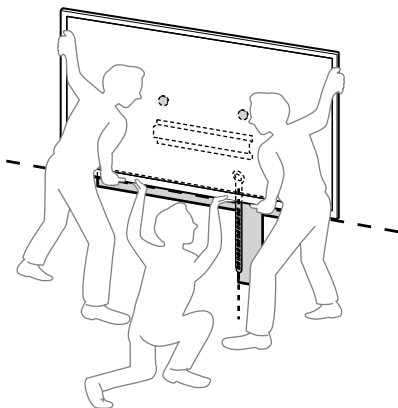
1 Løft TV-en eller LCD-skjermen.

- For plassering av trinsene **(B)** som skal henges på sokkelen **(20) (A)** eller sokkeladapteren **(1)**, se "Monteringssted for sokkeladapter **(1)**" på side 19.
- Sørg for at baksiden av TV-en eller LCD-skjermen berører sokkelen **(20) (A)** eller sokkeladapteren **(1)** når TV-en eller LCD-skjermen holdes.

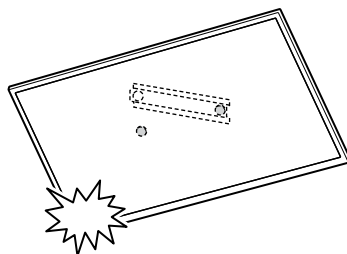
Merknad

- Hold TV-en eller LCD-skjermen sikkert med begge hender og sørg for at beltet **(E)** og bunnen av TV-en eller LCD-skjermen stemmer overens med maskeringstapen.

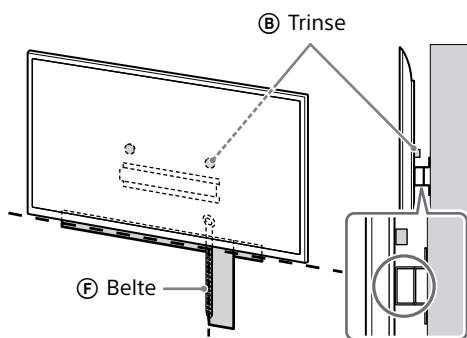
- Bruk tre personer når TV-en eller LCD-skjermen løftes, mens personen foran TV-en eller LCD-skjermen leder de andre for å justere posisjonen.



- Slipp med begge hender langsomt for å sikre at TV-en eller LCD-skjermen ikke faller.



- Vær svært forsiktig når TV-en eller LCD-skjermen installeres på veggen, spesielt for personen som støtter TV-en eller LCD-skjermen foran, TV-en eller LCD-skjermen kan falle og medføre alvorlige personskader eller til og med dødsfall.

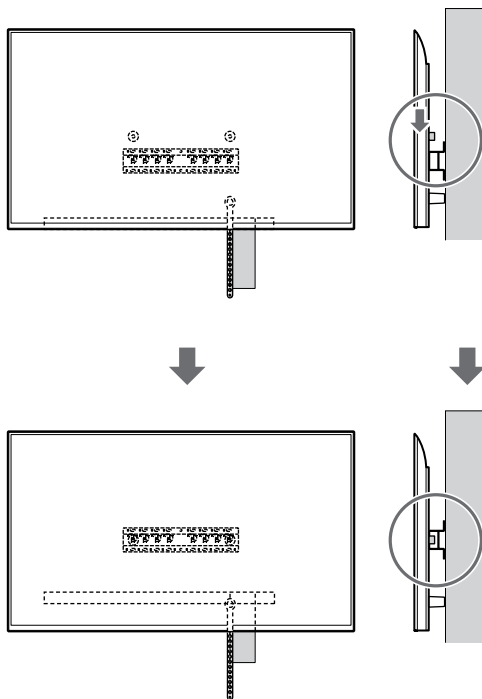
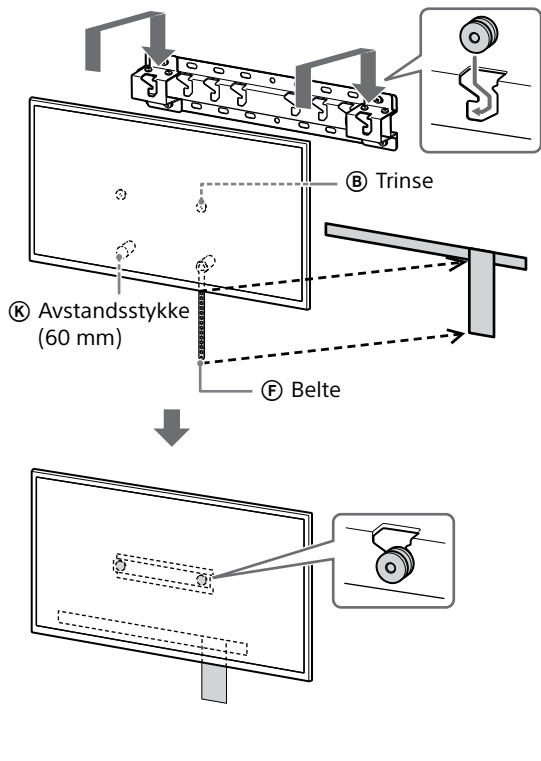


- Etter installasjon av TV-en eller LCD-skjermen på veggen fjernes maskeringstape osv. fra veggen.

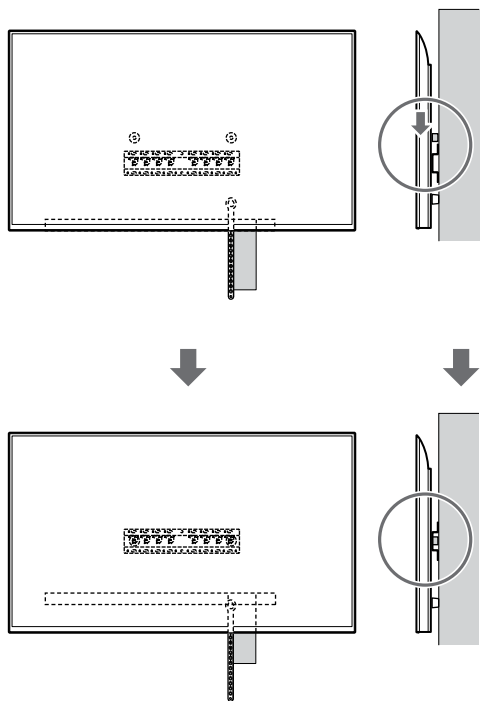
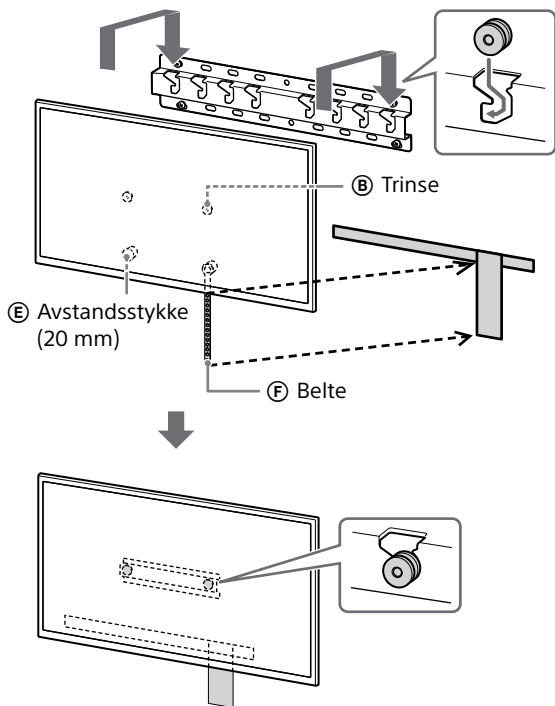
2 Installer TV-en eller LCD-skjermen på sokkelen (20) **A** eller sokkeladapteren **I**.

- La TV-en eller LCD-skjermen gli forsiktig ned og heng trinsene **B** som er festet på baksiden av TV-en eller LCD-skjermen opp på sokkelen (20) **A** eller sokkeladapteren **I**, sørg for å bekrefte formen på hullene.
- Etter installasjon av TV-en eller LCD-skjermen på veggen, kontrollerer du at trinsene **B** er godt festet på sokkelen (20) **A** eller sokkeladapteren **I**.

Dersom standard montering (2-a) er valgt:

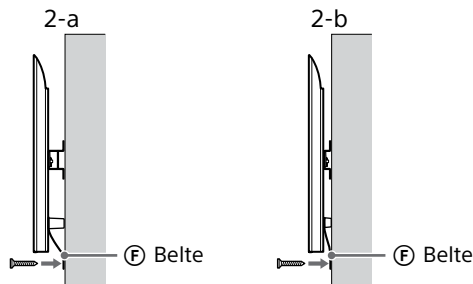


Dersom tynn montering (2-b) er valgt:



3 Forhindre at bunnen på TV-en eller LCD-skjermen forskyves.

- Ta opp slakken på belte (F) og fest det stramt til veggen.



- Bruk en skrue med 5 mm diameter eller tilsvarende (følger ikke med).

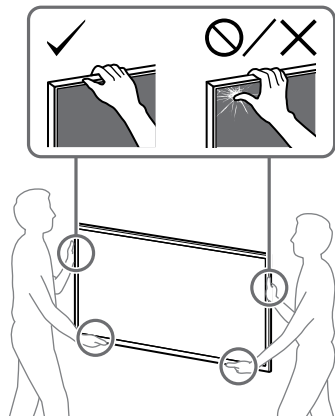
Merknad

- Prøv å dra bunnen på TV-en eller LCD-skjermen mot deg selv litt, så du er sikker på at den ikke beveger seg fremover. Hvis det er bevegelse, er den ikke riktig festet, og beltet (F) bør strammes godt igjen.

Gjelder ikke KD-85X8xL / 85X8xBL / 75X8xL / 75X8xBL, KM-85X8xL / 75X8xL, XR-85X9xL / 75X9xL, XRM-85X9xL / 75X9xL

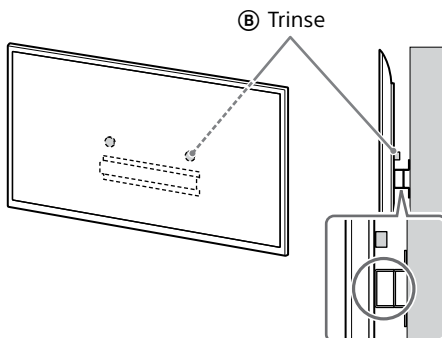
ADVARSEL

- Et stort TV-apparat eller LCD-skjerm må bæres av to eller flere personer (tre eller flere personer for TV eller LCD-skjerm på 189,3 cm (75 tommer) og over) (unntatt Egypt).
Et stort TV-apparat eller LCD-skjerm må bæres av to eller flere personer (tre eller flere personer for TV eller LCD-skjerm på 75 tommer (189,3 cm) og over) (kun Egypt).



1 Løft TV-en eller LCD-skjermen.

- For plassering av trinsene (B) som skal henges på sokkelen (20) (A) eller sokkeladapteren (I), se "Monteringssted for sokkeladapter (I)" på side 19.
- Sørg for at baksiden av TV-en eller LCD-skjermen berører sokkelen (20) (A) eller sokkeladapteren (I) når TV-en eller LCD-skjermen holdes.

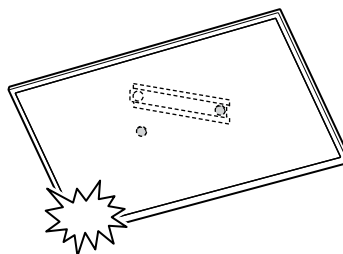


Merknad

- Hold TV-en eller LCD-skjermen godt fast med begge hender.

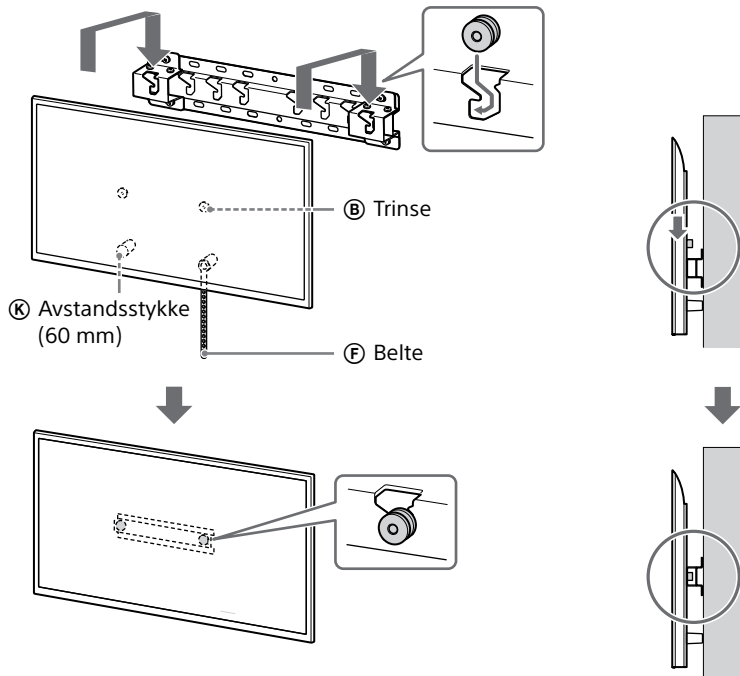
2 Installer TV-en eller LCD-skjermen på sokkelen (20) (A) eller sokkeladapteren (I).

- La TV-en eller LCD-skjermen gli forsiktig ned og heng trinsene (B) som er festet på baksiden av TV-en eller LCD-skjermen opp på sokkelen (20) (A) eller sokkeladapteren (I), sørg for å bekrefte formen på hullene.
- Etter installasjon av TV-en eller LCD-skjermen på veggen, kontrollerer du at trinsene (B) er godt festet på sokkelen (20) (A) eller sokkeladapteren (I).
- Slipp med begge hender langsomt for å sikre at TV-en eller LCD-skjermen ikke faller.

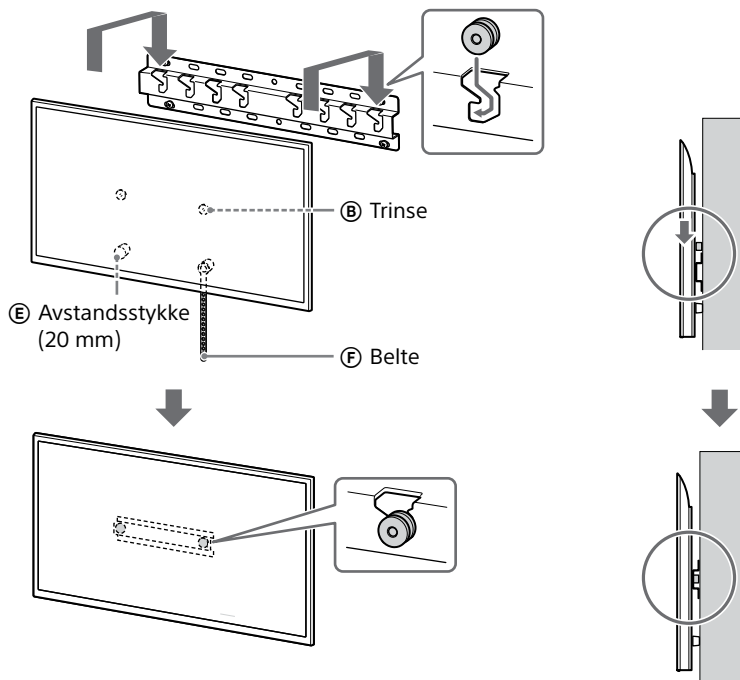


NO

Dersom standard montering (2-a) er valgt:

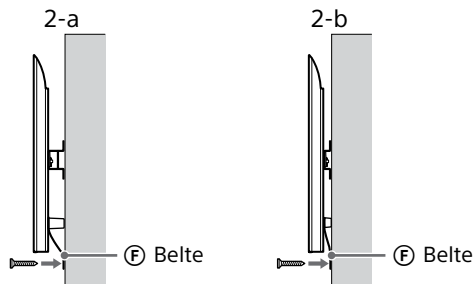


Dersom tynn montering (2-b) er valgt:



3 Forhindre at bunnen på TV-en eller LCD-skjermen forskyves.

- Ta opp slakken på belte (F) og fest det stramt til veggen.



- Bruk en skrue med 5 mm diameter eller tilsvarende (følger ikke med).

Merknad

- Prøv å dra bunnen på TV-en eller LCD-skjermen mot deg selv litt, så du er sikker på at den ikke beveger seg fremover. Hvis det er bevegelse, er den ikke riktig festet, og beltet (F) bør strammes godt igjen.

Bekreft fullføringen av installasjonen

Kontroller følgende punkter.

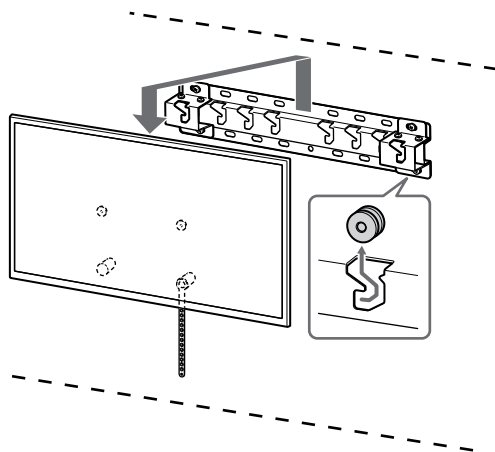
- Trinsene (B) henger riktig på sokkelen (20) (A) eller sokkeladapteren (1).
- Ledningen og kablet er ikke vridd eller klemt.
- Belte (F) er stramt uten noe slakk.

ADVARSEL

- Feil plassering av strømledningen, e.l. kan forårsake brann eller elektrisk støt på grunn av en kortslutning. Sørg for at installasjonen fullføres på riktig måte.

Annen informasjon

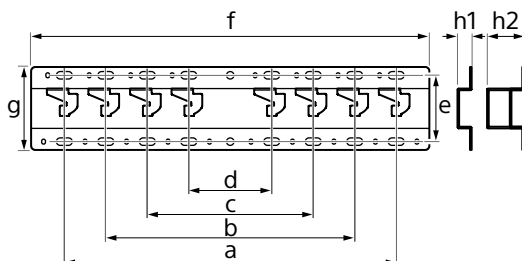
Når du fjerner TV-en eller LCD-skjermen, utfører du installasjonen i motsatt rekkefølge.



ADVARSEL

- Et stort TV-apparat eller LCD-skjerm må bæres av to eller flere personer (tre eller flere personer for TV eller LCD-skjerm på 189,3 cm (75 tommer) og over) (unntatt Egypt).
- Et stort TV-apparat eller LCD-skjerm må bæres av to eller flere personer (tre eller flere personer for TV eller LCD-skjerm på 75 tommer (189,3 cm) og over) (kun Egypt).

Spesifikasjoner



Mål: (Ca.) [mm]

- a : 400
- b : 300
- c : 200
- d : 100
- e : 80
- f : 480
- g : 100

- h1 : 20 (for tynn montering, 2-b)
- h2 : 60 (for standard montering, 2-a)

Vekt (kun sokkel): (Ca.) [kg]

0,8

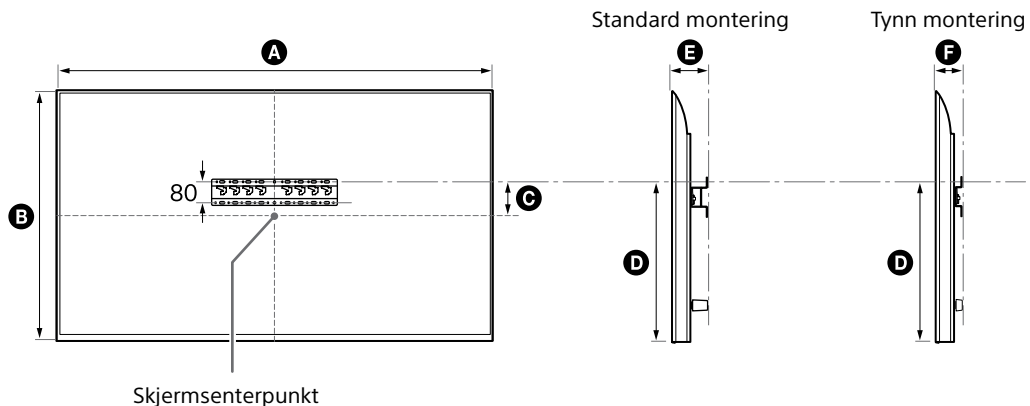
Design og spesifikasjoner kan endres uten forvarsel.

NO

Referanser

Måling for montering av veggmonteringsbrakett på veggen

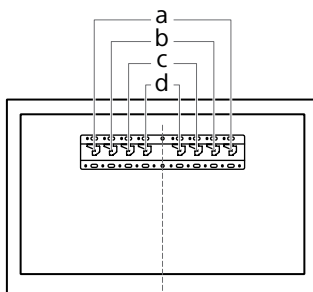
Tallene i tabellen kan variere noe avhengig av installasjonen.



(mm)

Modellnavn	A	B	C	D	E	F
KD-85X81BL / 85X80L KM-85X80L	1901	1090	43	592	138	96
XR-85X90L XRM-85X90L	1891	1085	58	607	125	83
KD-75X85L KM-75X85L	1671	960	21	508	123	81
KD-75X81BL / 75X80L KM-75X80L	1675	962	12	493	137	95
XR-75X90L XRM-75X90L	1668	959	21	508	123	81
KD-65X85L / 65X85BL KM-65X85L	1447	832	85	505	123	81
KD-65X81BL / 65X80L KM-65X80L	1452	836	76	494	135	93
XR-65X90L XRM-65X90L	1445	831	85	505	123	81
KD-55X85L KM-55X85L	1228	709	146	505	122	81
KD-55X81BL / 55X80L KM-55X80L	1233	713	133	494	135	93
XR-55X90L XRM-55X90L	1225	707	146	505	122	81
KD-50X80L KM-50X80L	1119	649	63	392	133	91
KD-43X80L KM-43X80L	964	563	111	392	133	91

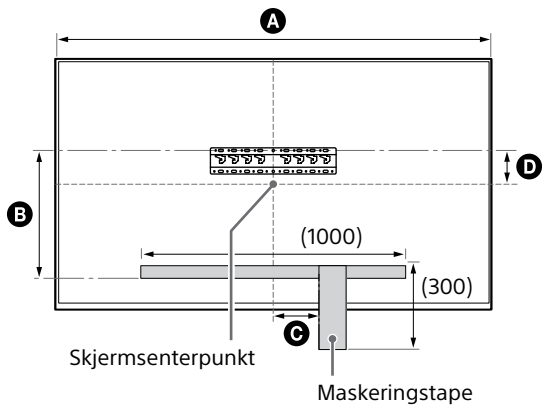
Monteringssted for sokkeladapter ①



Modellnavn	Krokplassing
KD-85X81BL / 85X80L KM-85X80L XR-85X90L XRM-85X90L	a
KD-75X85L / 75X81BL / 75X80L KM-75X85L / 75X80L XR-75X90L XRM-75X90L	b
KD-65X85L / 65X85BL / 65X81BL / 65X80L KM-65X85L / 65X80L XR-65X90L XRM-65X90L	b

Modellnavn	Krokplassing
KD-55X85L / 55X81BL / 55X80L KM-55X85L / 55X80L XR-55X90L XRM-55X90L	b
KD-50X80L KM-50X80L	c
KD-43X80L KM-43X80L	c

Veggmerking for monteringssted for TV eller LCD-skjerm



(mm)

Modellnavn	A	B	C	D
KD-85X81BL / 85X80L KM-85X80L	1901	472	200	43
XR-85X90L XRM-85X90L	1891	486	200	58
KD-75X85L KM-75X85L	1671	388	150	21
KD-75X81BL / 75X80L KM-75X80L	1675	373	150	12
XR-75X90L XRM-75X90L	1668	388	150	21

Πληροφορίες εγκατάστασης για τη Χρήση της Επιτοίχιας βάσης της Sony (SU-WL450)

Υποστηριζόμενα μοντέλα*:

* Στις πραγματικές ονομασίες των μοντέλων, το "x"/"xx" υποδεικνύει τους αριθμούς ή/και χαρακτήρες του συγκεκριμένου μοντέλου.

KD-85X8xL / 85X8xBL / 75X8xL / 75X8xBL / 65X8xL / 65X8xBL / 55X8xL / 55X8xBL / 50X8xL / 43X8xL

KM-85X8xL / 75X8xL / 65X8xL / 55X8xL / 50X8xL / 43X8xL

XR-85X9xL / 75X9xL / 65X9xL / 55X9xL

XRM-85X9xL / 75X9xL / 65X9xL / 55X9xL

Προς τους πελάτες

Για λόγους προστασίας και ασφάλειας του προϊόντος, η Sony συνιστά ένθερμα η εγκατάσταση της τηλεόρασης ή της οθόνης LCD σας να πραγματοποιείται από αντιπροσώπους της Sony ή εξουσιοδοτημένους τεχνικούς. Μην επιχειρήσετε να την εγκαταστήσετε μόνοι σας.

Προς τους αντιπροσώπους της Sony και τους τεχνικούς

Δώστε μεγάλη προσοχή στην ασφάλεια κατά την εγκατάσταση, την περιοδική συντήρηση και τον έλεγχο του προϊόντος αυτού.

Απαιτείται επαρκής εμπειρία για την εγκατάσταση του προϊόντος αυτού και ειδικότερα για να προσδιοριστεί η αντοχή του τοίχου που θα συγκρατεί το βάρος της τηλεόρασης ή της οθόνης LCD. Αναθέστε την τοποθέτηση του προϊόντος αυτού στον τοίχο σε αντιπροσώπους της Sony ή σε εξουσιοδοτημένους τεχνικούς και δείξτε την απαραίτητη προσοχή στα θέματα ασφάλειας κατά την εγκατάσταση. Η Sony δεν αναλαμβάνει καμία ευθύνη για τυχόν ζημιά ή τραυματισμό που ενδέχεται να προκληθεί από λανθασμένους χειρισμούς ή ακατάλληλη εγκατάσταση.

Για ασφάλεια και σωστή εγκατάσταση, ακολουθήστε τις Οδηγίες λειτουργίας της Επιτοίχιας βάσης, τον Οδηγό εγκατάστασης της τηλεόρασης ή της οθόνης LCD και τις οδηγίες σε αυτό το εγχειρίδιο.

Επιτοίχια Βάση

Σχετικά με την ασφάλεια

Σας ευχαριστούμε που αγοράσατε αυτό το προϊόν.

Προς τους πελάτες

Εγκατάσταση της τηλεόρασης ή της οθόνης LCD στον τοίχο



ΠΡΟΕΙΔΟΠΟΙΗΣΗ

ΑΠΑΙΤΕΙΤΑΙ ΕΓΚΑΤΑΣΤΑΣΗ ΑΠΟ ΕΙΔΙΚΟ

Το προϊόν αυτό θα πρέπει να τοποθετείται μόνο από ειδικό εγκατάστασης, ο οποίος θα είναι κατάλληλα καταρτισμένος ώστε να υπολογίσει την αντοχή του τοίχου, προκειμένου να δεχθεί το βάρος της τηλεόρασης ή της οθόνης LCD. Αν δεν στερεωθεί κατάλληλα κατά την εγκατάσταση, η τηλεόραση ή η οθόνη LCD μπορεί να πέσει και να προκαλέσει σοβαρό τραυματισμό. Η Sony δεν φέρει καμία ευθύνη για τυχόν υλική ζημιά ή τραυματισμό που θα προκληθεί από λάθος χειρισμό ή ακατάλληλη εγκατάσταση, ή λόγω εγκατάστασης οποιουδήποτε άλλου εκτός από το καθορισμένο προϊόν. Δεν επηρεάζονται τα νόμιμα δικαιώματά σας (εάν υπάρχουν).

Προς τους αντιπροσώπους της Sony

Για την εγκατάσταση αυτού του προϊόντος απαιτείται επαρκής τεχνική κατάρτιση. Διαβάστε προσεκτικά το παρόν εγχειρίδιο οδηγιών, έτσι ώστε να εκτελέσετε τις εργασίες εγκατάστασης με ασφάλεια. Η Sony δεν αναλαμβάνει καμία ευθύνη για τυχόν ζημιά ή τραυματισμό που ενδέχεται να προκληθεί από λανθασμένους χειρισμούς ή ακατάλληλη εγκατάσταση. Μετά την εγκατάσταση, παραδώστε αυτό το εγχειρίδιο στον πελάτη.

Στο παρόν εγχειρίδιο οδηγιών παρουσιάζεται ο σωστός τρόπος χειρισμού του προϊόντος, καθώς και σημαντικές προφυλάξεις, οι οποίες είναι απαραίτητες για την αποφυγή ατυχημάτων. Αποτελεί δική σας ευθύνη να διαβάσετε, να κατανοήσετε πλήρως και να ακολουθήσετε όλες τις οδηγίες που δίνονται σε αυτό το εγχειρίδιο οδηγιών. Σε αντίθετη περίπτωση, μπορεί να προκληθεί σοβαρός τραυματισμός ή υλική ζημιά και η εγγύηση να καταστεί άκυρη. Φυλάξτε το παρόν εγχειρίδιο για μελλοντική χρήση.

Τα προϊόντα της Sony σχεδιάζονται με γνώμονα την ασφάλεια. Σε περίπτωση λανθασμένου χειρισμού ενδέχεται να προκληθεί σοβαρός τραυματισμός λόγω πυρκαγιάς, ηλεκτροπληξίας, ανατροπής ή πτώσης του προϊόντος. Για να αποφύγετε τέτοιου είδους ατυχήματα, βεβαιωθείτε ότι λαμβάνετε τις προφυλάξεις ασφάλειας.

ΠΡΟΣΟΧΗ

Συμβατά προϊόντα

Αυτή η Επιτοίχια Βάση έχει σχεδιαστεί για χρήση με τα καθορισμένα μοντέλα τηλεόρασης ή οθόνης LCD. Για τις τηλεοράσεις ή τις οθόνες LCD, ανατρέξτε στον Οδηγό αναφοράς τους, προκειμένου να επαληθεύσετε εάν μπορείτε να χρησιμοποιήσετε την Επιτοίχια Βάση.

Προς τους πελάτες

ΠΡΟΕΙΔΟΠΟΙΗΣΗ

Εάν δεν ληφθούν οι ακόλουθες προφυλάξεις, ενδέχεται να προκληθεί σοβαρός τραυματισμός ή θάνατος λόγω πυρκαγιάς, ηλεκτροπληξίας, ανατροπής ή πτώσης του προϊόντος.

Φροντίστε να αναθέσετε την εγκατάσταση σε εξουσιοδοτημένους τεχνικούς και κρατήστε μακριά τα παιδιά κατά τη διάρκεια της εγκατάστασης.

Εάν η Επιτοίχια βάση ή η τηλεόραση ή η οθόνη LCD δεν εγκατασταθούν σωστά, ενδέχεται να προκληθούν τα ατυχήματα που αναφέρονται παρακάτω. Βεβαιωθείτε ότι η εγκατάσταση θα εκτελεστεί από εξουσιοδοτημένους τεχνικούς.

- Η τηλεόραση ή η οθόνη LCD ενδέχεται να πέσει και να προκαλέσει σοβαρούς τραυματισμούς, όπως μώλωπες ή κατάγματα.
- Εάν ο τοίχος στον οποίο θα εγκαταστήσετε την Επιτοίχια βάση είναι ασταθής, ανομοιόμορφος ή δεν είναι κατακόρυφος προς το δάπεδο, ενδέχεται να προκληθεί πτώση της μονάδας με συνέπεια τραυματισμούς ή υλικές ζημιές. Ο τοίχος θα πρέπει να αντέχει σε βάρος τουλάχιστον τέσσερις φορές το βάρος της τηλεόρασης ή της οθόνης LCD. (Ανατρέξτε στον Οδηγό αναφοράς της τηλεόρασης ή της οθόνης LCD σας σχετικά με το βάρος της.)
- Εάν η Επιτοίχια βάση δεν στερεωθεί σταθερά στον τοίχο, ενδέχεται να προκληθεί πτώση της μονάδας με συνέπεια τραυματισμούς ή υλικές ζημιές.

Αναθέστε τη μεταφορά ή την αφαίρεση της τηλεόρασης ή της οθόνης LCD σε εξουσιοδοτημένους τεχνικούς.

Εάν η μεταφορά ή η αφαίρεση της τηλεόρασης ή της οθόνης LCD πραγματοποιηθεί από μη εξουσιοδοτημένο προσωπικό, ενδέχεται να προκληθεί πτώση με συνέπεια τραυματισμούς ή υλικές ζημιές. Για τη μεταφορά μιας μεγάλης τηλεόρασης ή οθόνης LCD απαιτούνται δύο ή περισσότερα άτομα (τρία ή περισσότερα άτομα για τηλεοράσεις ή οθόνες LCD 189,3 cm (75 ίντσες) και άνω) (εκτός από την Αίγυπτο).

Για τη μεταφορά μιας μεγάλης τηλεόρασης ή οθόνης LCD απαιτούνται δύο ή περισσότερα άτομα (τρία ή περισσότερα άτομα για τηλεοράσεις ή οθόνες LCD 75 ίντσες (189,3 cm) και άνω) (μόνο για την Αίγυπτο).

Μην αφαιρείτε βίδες κλπ. μετά την τοποθέτηση της τηλεόρασης ή της οθόνης LCD.

Σε διαφορετική περίπτωση, ενδέχεται να προκληθεί πτώση της τηλεόρασης ή της οθόνης LCD με συνέπεια τραυματισμούς ή υλικές ζημιές.

Μην τροποποιείτε τα εξαρτήματα της Επιτοίχιας Βάσης.

Σε διαφορετική περίπτωση, ενδέχεται να προκληθεί πτώση της Επιτοίχιας Βάσης με συνέπεια τραυματισμούς ή υλικές ζημιές.

Μην τοποθετείτε συσκευές διαφορετικές από τις καθορισμένες.

Αυτή η Επιτοίχια βάση έχει σχεδιαστεί για χρήση μόνο με το καθορισμένο προϊόν. Εάν τοποθετήσετε συσκευή διαφορετική από αυτήν που καθορίζεται, ενδέχεται να προκληθεί πτώση ή θραύση της συσκευής με συνέπεια τραυματισμούς ή υλικές ζημιές.

Μην τοποθετείτε στην Επιτοίχια βάση άλλα φορτία εκτός από την τηλεόραση ή την οθόνη LCD.

Μην κινείτε την τηλεόραση ή την οθόνη LCD προς τα αριστερά/δεξιά ή προς τα πάνω/κάτω.

Σε διαφορετική περίπτωση, ενδέχεται να προκληθεί πτώση της τηλεόρασης ή της οθόνης LCD με συνέπεια τραυματισμούς ή υλικές ζημιές.

Μην στηρίζετε και μην κρέμεστε από την τηλεόραση ή την οθόνη LCD.

Μην στηρίζετε και μην κρέμεστε από την τηλεόραση ή την οθόνη LCD, καθώς ενδέχεται να προκληθεί πτώση της με συνέπεια σοβαρό τραυματισμό.

ΠΡΟΣΟΧΗ

Εάν δεν ληφθούν οι ακόλουθες προφυλάξεις, ενδέχεται να προκληθούν τραυματισμοί ή υλικές ζημιές.

- Φροντίστε να αποθηκεύσετε τα εξαρτήματα που δεν χρησιμοποιούνται σε ασφαλές μέρος για μελλοντική χρήση. Κρατήστε τα μακριά από παιδιά.

Μην ασκείτε υπερβολική δύναμη στο προϊόν κατά τον καθαρισμό ή τις εργασίες συντήρησης.

Μην ασκείτε υπερβολική δύναμη στην επάνω πλευρά της τηλεόρασης ή της οθόνης LCD. Σε διαφορετική περίπτωση, ενδέχεται να προκληθεί πτώση της τηλεόρασης ή της οθόνης LCD με συνέπεια τραυματισμούς ή υλικές ζημιές.

Προφυλάξεις

- Εάν η τηλεόραση ή η οθόνη LCD παραμείνει συνδεδεμένη στην Επιτοίχια βάση για μεγάλο χρονικό διάστημα, η επιφάνεια του τοίχου πίσω ή επάνω από την τηλεόραση ή την οθόνη LCD ενδέχεται να ξεθωριάσει ή η ταπεταρία ενδέχεται να ξεκολλήσει, ανάλογα με το υλικό κατασκευής του τοίχου.
- Εάν η Επιτοίχια βάση αφαιρεθεί αφού εγκατασταθεί στον τοίχο, θα παραμείνουν οι οπές των βιδών.
- Μην χρησιμοποιείτε την Επιτοίχια βάση σε σημεία που υπόκεινται σε μηχανικούς κραδασμούς.

Εγκατάσταση της Επιτοίχιας Βάσης

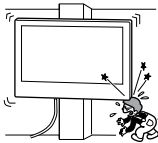
Προς τους αντιπροσώπους της Sony

ΠΡΟΕΙΔΟΠΟΙΗΣΗ

Οι ακόλουθες οδηγίες αφορούν μόνον τους αντιπροσώπους της Sony. Διαβάστε τις προφυλάξεις ασφάλειας που περιγράφονται παραπάνω και τηρήστε τα μέτρα ασφάλειας κατά τη διάρκεια της εγκατάστασης, της συντήρησης και του ελέγχου αυτού του προϊόντος.

Μην εγκαθιστάτε την Επιτοίχια βάση σε επιφάνειες τοίχου όπου οι γωνίες ή οι πλευρές της τηλεόρασης ή της οθόνης LCD θα προεξέχουν από την επιφάνεια του τοίχου.

Μην εγκαθιστάτε την Επιτοίχια βάση σε επιφάνειες τοίχου, όπως κολόνες, όπου οι γωνίες ή οι πλευρές της τηλεόρασης ή της οθόνης LCD θα προεξέχουν από την επιφάνεια του τοίχου. Εάν κάποιο άτομο ή κάποιο αντικείμενο προσκρούσει σε γωνία ή σε πλευρά της τηλεόρασης ή της οθόνης LCD η οποία προεξέχει από την επιφάνεια του τοίχου, ενδέχεται να προκληθούν τραυματισμοί ή υλικές ζημιές.

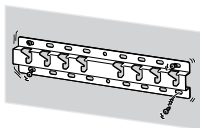


Μην τοποθετείτε την τηλεόραση ή την οθόνη LCD επάνω ή κάτω από συσκευές κλιματισμού.

Εάν η τηλεόραση ή η οθόνη LCD παραμείνει εκτεθειμένη σε διαρροή νερού ή ρεύμα αέρα από συσκευή κλιματισμού για μεγάλο χρονικό διάστημα, ενδέχεται να προκληθεί πυρκαγιά, ηλεκτροπληξία ή δυσλειτουργία της τηλεόρασης ή της οθόνης LCD.

Εγκαταστήστε την Επιτοίχια βάση σταθερά στον τοίχο, ακολουθώντας τις οδηγίες που παρέχονται στο παρόν εγχειρίδιο οδηγιών.

Σε περίπτωση μερικής ή πλήρους χαλάρωσης των βιδών, ενδέχεται να προκληθεί πτώση της Επιτοίχιας Βάσης με συνέπεια τραυματισμούς ή υλικές ζημιές. Χρησιμοποιήστε κατάλληλες βίδες ανάλογα με το υλικό κατασκευής του τοίχου και εγκαταστήστε τη μονάδα με ασφάλεια χρησιμοποιώντας τέσσερις ή περισσότερες βίδες διαμέτρου 8 mm (ή ισοδύναμες).



Χρησιμοποιήστε τις βίδες που παρέχονται στη συσκευασία, καθώς και τα συνδεδεμένα εξαρτήματα σύμφωνα με τις οδηγίες που παρέχονται στο παρόν εγχειρίδιο οδηγιών. Εάν χρησιμοποιήσετε υποκατάστατα εξαρτήματα, ενδέχεται να προκληθεί πτώση της τηλεόρασης ή της οθόνης LCD με συνέπεια τραυματισμούς ή υλικές ζημιές στην τηλεόραση ή στην οθόνη LCD.

Συναρμολογήστε σωστά τα εξαρτήματα του στηρίγματος, ακολουθώντας τη διαδικασία που περιγράφεται στο παρόν εγχειρίδιο οδηγιών.

Σε περίπτωση μερικής ή πλήρους χαλάρωσης της σύσφιξης σε κάποια από τις βίδες, ενδέχεται να προκληθεί πτώση της τηλεόρασης ή της οθόνης LCD με συνέπεια τραυματισμούς ή ζημιά στην τηλεόραση ή στην οθόνη LCD.

Σφίξτε τις βίδες και βεβαιωθείτε ότι έχουν τοποθετηθεί στη σωστή θέση.

Σε αντίθετη περίπτωση, ενδέχεται να προκληθεί πτώση της τηλεόρασης ή της οθόνης LCD με συνέπεια τραυματισμούς ή ζημιά στην τηλεόραση ή στην οθόνη LCD.

Μην υποβάλλετε την τηλεόραση ή την οθόνη LCD σε κραδασμούς κατά την τοποθέτηση της.

Σε διαφορετική περίπτωση, ενδέχεται να προκληθεί πτώση και θραύση της τηλεόρασης ή της οθόνης LCD. Επίσης, υπάρχει πιθανότητα τραυματισμού.

Τοποθετήστε την τηλεόραση ή την οθόνη LCD σε τοίχο ο οποίος είναι κατακόρυφος προς το δάπεδο και επίπεδος.

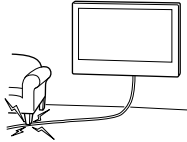
Σε διαφορετική περίπτωση, ενδέχεται να προκληθεί πτώση της τηλεόρασης ή της οθόνης LCD με συνέπεια τραυματισμούς.

Αφού τοποθετήσετε σωστά την τηλεόραση ή την οθόνη LCD, ασφαλίστε κατάλληλα τα καλώδια.

Εάν άτομα ή αντικείμενα μπερδευτούν στα καλώδια, ενδέχεται να προκληθούν τραυματισμοί ή ζημιά στην τηλεόραση ή στην οθόνη LCD.

Αποφύγετε την άσκηση πιέσεων στο καλώδιο τροφοδοσίας ή στο καλώδιο σύνδεσης.

Εάν το καλώδιο τροφοδοσίας ή το καλώδιο σύνδεσης συμπιέζεται ανάμεσα στην συσκευή και στον τοίχο ή λυγίσει ή στρεβλωθεί λόγω άσκησης πίεσης, υπάρχει κίνδυνος έκθεσης των εσωτερικών αγωγών των καλωδίων με συνέπεια βραχυκύκλωμα ή διακοπή ηλεκτρικού ρεύματος. Αυτό ενδέχεται να προκαλέσει πυρκαγιά ή ηλεκτροπληξία.



Οι βίδες που απαιτούνται για τη στερέωση της Επιτοίχιας Βάσης στον τοίχο δεν παρέχονται.

Κατά την τοποθέτηση της Επιτοίχιας βάσης, χρησιμοποιήστε βίδες οι οποίες είναι κατάλληλες για το υλικό κατασκευής και τη δομή του τοίχου.

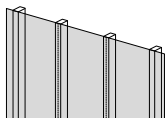
Πριν ξεκινήσετε

- Οι εικόνες της τηλεόρασης ή της οθόνης LCD που εμφανίζονται σε αυτό το εγχειρίδιο είναι παραδείγματα που χρησιμοποιούνται για την παροχή σαφών επεξηγήσεων για τις λειτουργίες. Για αυτόν τον λόγο, οι εικόνες ενδέχεται να εμφανίζονται διαφορετικές από την πραγματική σας τηλεόραση ή οθόνη LCD.

Από τι υλικό είναι κατασκευασμένος ο τοίχος σας;

Αρχικά ελέγξτε τον τύπο του τοίχου για την εγκατάσταση της τηλεόρασης ή της οθόνης LCD.

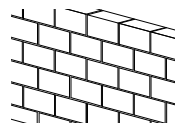
Γυψοσανίδα με καρφιά



Προφυλάξεις

- Μέγιστο πάχος γυψοσανίδας: 16 mm.
- Βεβαιωθείτε ότι το μέγεθος του εσωτερικού ξύλινου καρφιού είναι 51 mm × 102 mm τουλάχιστον για τα κοινά ή 38 mm × 89 mm για τα καρφιά ονομαστικών διαστάσεων.

Συμπαγές τσιμέντο ή τσιμεντόλιθοι



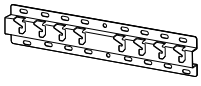






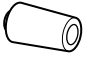

Προφυλάξεις

- Τοποθετήστε την Επιτοίχια Βάση απευθείας στον τοίχο από συμπαγές μπετόν.
- Βεβαιωθείτε ότι το πάχος του τοίχου από συμπαγές μπετόν είναι 203 mm τουλάχιστον.
- Βεβαιωθείτε ότι το μέγεθος κάθε τσιμεντόλιθου είναι 203 mm × 203 mm × 406 mm τουλάχιστον.






Έλεγχος των εξαρτημάτων

Παρέχονται με το μοντέλο SU-WL450

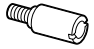
- Ελέγξτε ότι περιλαμβάνονται όλα τα εξαρτήματα.

Α Βάση (20) (x1) 	Β Τροχαλία (x2) 	Γ Βίδα (+PSW 6 x 20) (x4) 	Ε Διαχωριστικό (20 mm) (x2) 
Φ Ιμάντας (x1) 	Ι Προσαρμογέας βάσης (x2) 	Ψ Βίδα (+PSW 4 x 10) (x8) 	Κ Διαχωριστικό (60 mm) (x2) 
Λ Βίδα (+PSW 6 x 50) (x2) 			

- Αυτά τα εξαρτήματα δεν μπορούν να χρησιμοποιηθούν για το μοντέλο σας.

Δ Βίδα (+PSW 4 x 20) με δακτύλιο (x2) 	Θ Δακτύλιος (20) (M4) (x2) 	Η Βίδα (+PSW 4 x 20) (x2) 	Μ Δακτύλιος (M4) (x2) 
Ν Βίδα (+PSW 4 x 50) (x2) 			

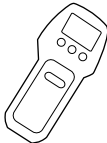

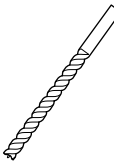
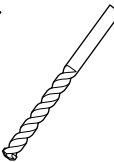
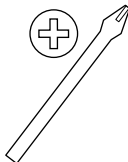
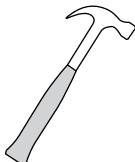
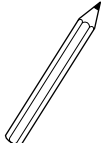
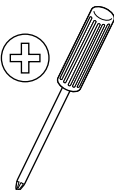
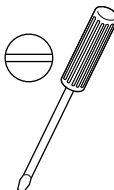





Παρέχονται με την τηλεόραση ή την οθόνη LCD

Εξάρτημα Επιτοίχιας Βάσης VS (x4)* 
--

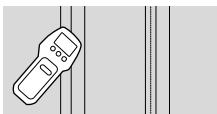
- * Μόνο για περιορισμένες περιοχές/χώρες/μοντέλα.

Προετοιμασία για τοποθέτηση

- Να έχετε κοντά σας τον Οδηγό αναφοράς και τον Οδηγό εγκατάστασης της τηλεόρασης ή της οθόνης LCD πριν από την εγκατάσταση.
- Επαληθεύστε τη θέση τοποθέτησης της τηλεόρασης ή της οθόνης LCD.
- Ετοιμάστε τέσσερις ή περισσότερες βίδες διαμέτρου 8 mm και μία βίδα διαμέτρου 5 mm ή ισοδύναμη (δεν παρέχονται). Επιλέξτε βίδες που είναι κατάλληλες για το υλικό κατασκευής του τοίχου.
- Προετοιμάστε τα ακόλουθα εργαλεία:

*1 		 5,5 mm	 10 mm	
*2 		 1,5 N·m {15 kgf·cm}	*3  1,5 N·m {15 kgf·cm}	
	*2  (x4)	 (x4) 8 mm × 60 mm	 5 mm	
*4 				

*1 Μόνο για γυψοσανίδες με καρφιά



*2 Μόνο για συμπαγές τσιμέντο ή τσιμεντόλιθους

*3 Ανάλογα τα μοντέλα

*4 Μόνο για τηλεόραση ή οθόνη LCD 189,3 cm (75 ίντσες) και άνω (εκτός από την Αίγυπτο)
Μόνο για τηλεόραση ή οθόνη LCD 75 ίντσες (189,3 cm) και άνω (μόνο για την Αίγυπτο)

Εγκατάσταση της Επιτοίχιας Βάσης στον τοίχο

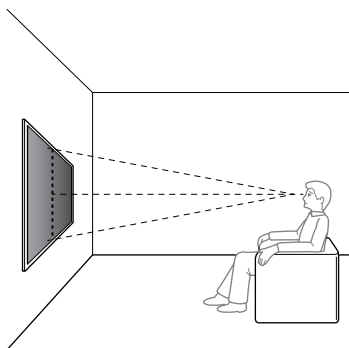
1 Καθορίστε τη θέση τοποθέτησης.

Βεβαιωθείτε ότι στον τοίχο υπάρχει αρκετός χώρος για την τηλεόραση ή την οθόνη LCD και ότι ο τοίχος μπορεί να στηρίξει βάρος τουλάχιστον τέσσερις φορές μεγαλύτερο από αυτό της τηλεόρασης ή της οθόνης LCD.

Ανατρέξτε στον Οδηγό αναφοράς της τηλεόρασης ή της οθόνης LCD σας για πληροφορίες σχετικά με το βάρος της τηλεόρασης ή της οθόνης LCD.

Σημείωση

- Όταν η τηλεόραση ή η οθόνη LCD είναι εγκατεστημένη στον τοίχο, το ανώτερο τμήμα της τηλεόρασης ή της οθόνης LCD γέρνει ελαφρώς μπροστά.
- Συνιστάται να ελέγξετε τη θέση της τηλεόρασης ή της οθόνης LCD στο περιβάλλον τηλεθέασης.



2 Επιλέξτε τη μέθοδο επιτοίχιας τοποθέτησης.

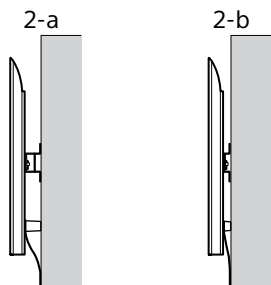
2-a: Τυπική τοποθέτηση

2-b: Λεπτή τοποθέτηση

- Ανατρέξτε στο "Μέτρηση για τοποθέτηση Επιτοίχιας Βάσης στον τοίχο" στη σελίδα 20.

ΠΡΟΕΙΔΟΠΟΙΗΣΗ

- Αν επιλέξετε τη μέθοδο 2-b, θα περιοριστεί η πρόσβαση στους πίσω ακροδέκτες.



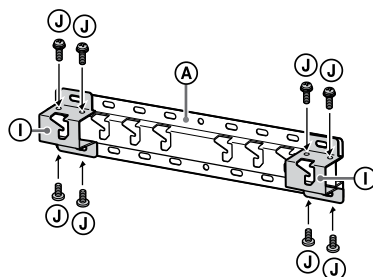
3 Εάν επιλεγεί η τυπική τοποθέτηση (2-a):

Προσαρμόστε τον

Προσαρμογέα βάσης ① χρησιμοποιώντας τη Βίδα (+PSW 4 x 10) ② στη Βάση (20)

③.

- Ανατρέξτε στο "Θέση τοποθέτησης Προσαρμογέα βάσης ①" στη σελίδα 21.



Π.χ., τοποθέτηση Προσαρμογέα βάσης ① στη θέση "a"

Εάν επιλεγεί η λεπτή τοποθέτηση (2-b):

Παραλείψτε αυτό το βήμα.

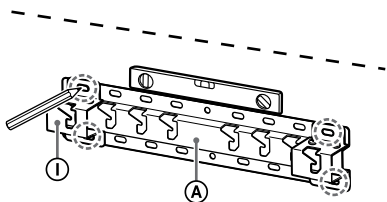
4 Καθορίστε τις θέσεις των βιδών για την εγκατάσταση της Βάσης (20) ④.

- Ανατρέξτε στο "Τεχνικά χαρακτηριστικά" στη σελίδα 19.

ΠΡΟΕΙΔΟΠΟΙΗΣΗ

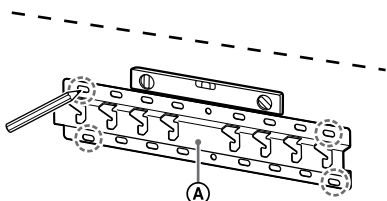
- Βεβαιωθείτε για την αντοχή του τοίχου όπου θα τοποθετηθεί η τηλεόραση ή η οθόνη LCD. Εάν είναι απαραίτητο, ενισχύστε κατάλληλα τον τοίχο.
- Ο τοίχος στον οποίο θα αναρτηθεί η τηλεόραση ή η οθόνη LCD θα πρέπει να αντέχει σε βάρος τουλάχιστον **τέσσερις φορές** το βάρος της τηλεόρασης ή της οθόνης LCD. (Ανατρέξτε στον Οδηγό αναφοράς της τηλεόρασης ή της οθόνης LCD σας σχετικά με το βάρος της.)

Εάν επιλεγεί η τυπική τοποθέτηση (2-a):
Χρησιμοποιήστε τις θέσεις οπών του Προσαρμογέα βάσης ①.



Π.χ., σήμανση στην τοποθεσία "a" για εφαρμογή στη Βάση (20) ④

Εάν επιλεγεί η λεπτή τοποθέτηση (2-b):

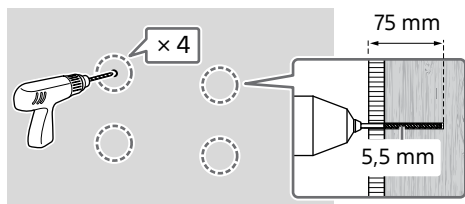


Π.χ., σήμανση στην τοποθεσία "a" για εφαρμογή στη Βάση (20) ④

5 Ανοίξτε τρύπες οδηγούς επάνω στα σημάδια.

Βεβαιωθείτε ότι η θέση στον τοίχο για τις τρύπες είναι αρκετά δυνατή για να αντέχει τουλάχιστον τέσσερις φορές το βάρος της τηλεόρασης ή της οθόνης LCD.

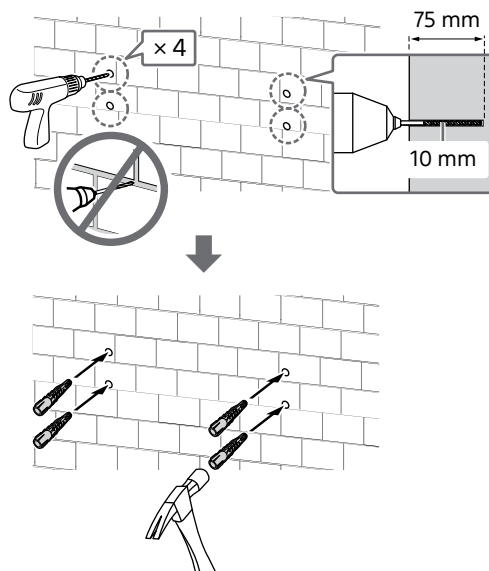
Τρύπημα σε γυψοσανίδες με καρφιά:



Σημείωση

- Οι οπές οδηγοί θα πρέπει να ανοιχθούν σε βάθος 75 mm, με χρήση τρυπανιού διαμέτρου 5,5 mm.

Τρύπημα σε συμπαγείς τσιμέντο ή τσιμεντόλιθους:



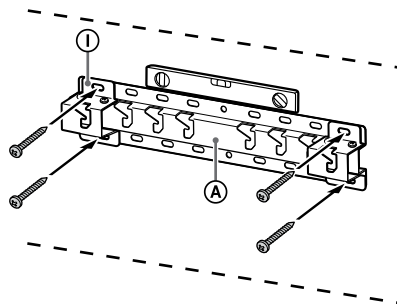
6 Τοποθετήστε τη Βάση (20) ④ στον τοίχο χρησιμοποιώντας τις κατάλληλες βίδες (δεν παρέχονται).

Σημείωση

- Χρησιμοποιήστε τέσσερις ή περισσότερες βίδες διαμέτρου 8 mm ή ισοδύναμες (δεν παρέχονται).
- Χρησιμοποιήστε ένα αλφάδι για να ελέγξετε εάν η Βάση (20) ④ έχει κλίση.

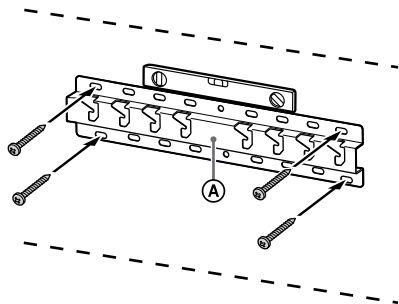
Εάν επιλεγεί η τυπική τοποθέτηση (2-a):

Τοποθετήστε τις τέσσερις βίδες στις οπές του Προσαρμογέα βάσης ① για να τον συνδέσετε με τη Βάση (20) ④.



Π.χ., τοποθέτηση Βάσης (20) ④ στη θέση "a"

Εάν επιλεγεί η λεπτή τοποθέτηση (2-b):



Π.χ., τοποθέτηση Βάσης (20) (A) στη θέση "α"

7 Μόνο για το μοντέλο KD-85X8xL / 85X8xBL / 75X8xL / 75X8xBL, KM-85X8xL / 75X8xL, XR-85X9xL / 75X9xL, XRM-85X9xL / 75X9xL

Σημαδέψτε τη θέση
εγκατάστασης στον τοίχο.

Χρησιμοποιήστε χαρτοταινία, κ.λπ. (δεν παρέχεται) για να σημαδέψετε τη θέση της τηλεόρασης ή της οθόνης LCD κοντά στη Βάση (20) (A) ή στον Προσαρμογέα βάσης (D).

- Ανατρέξτε στο "Σήμανση τοίχου για τοποθεσία εγκατάστασης τηλεόρασης ή οθόνης LCD" στη σελίδα 22.

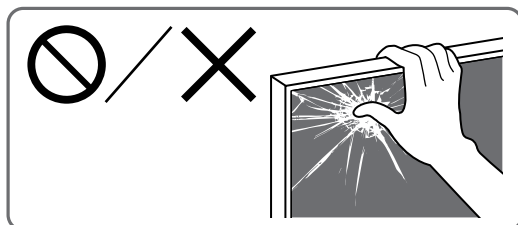
Εκτός των KD-85X8xL /
85X8xBL / 75X8xL / 75X8xBL,
KM-85X8xL / 75X8xL,
XR-85X9xL / 75X9xL,
XRM-85X9xL / 75X9xL

Παραλείψτε αυτό το βήμα.

Προετοιμασία για την τοποθέτηση της τηλεόρασης ή της οθόνης LCD

Σημείωση

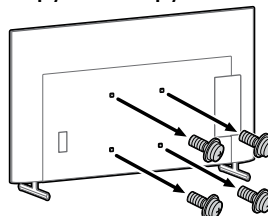
- Αποθηκεύστε τις βίδες που αφαιρέσατε και τα μη χρησιμοποιημένα εξαρτήματα σε ένα ασφαλές σημείο και φυλάξτε τα μακριά από παιδιά.



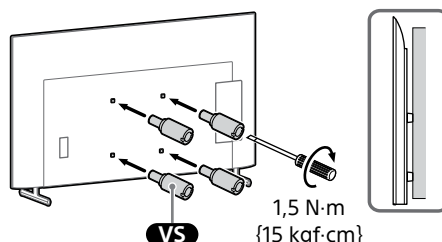
- 1 Τοποθετήστε τη βάση επιτραπέζιας τοποθέτησης για να κάνετε την οθόνη τηλεόρασης ή την οθόνη LCD να στέκεται.

- Ανατρέξτε στον Οδηγό εγκατάστασης της τηλεόρασης ή της οθόνης LCD.

- 2 Αφαιρέστε τις βίδες από το πίσω μέρος της τηλεόρασης ή της οθόνης LCD.



- 3 Συνδέστε το Εξάρτημα Επιτοίχιας Βάσης (VS) (παρέχεται με την τηλεόραση ή την οθόνη LCD) στο πίσω μέρος της τηλεόρασης ή της οθόνης LCD (για να είναι παράλληλα με τον τοίχο).



Σημείωση

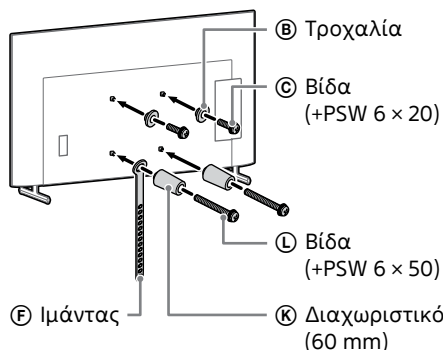
- Φροντίστε να σφίξετε το Εξάρτημα Επιτοίχιας Βάσης **VS** κατά τη σύνδεση στην τηλεόραση ή στην οθόνη LCD.
Χρησιμοποιήστε μόνο ίσιο κατασαβίδι για την εγκατάσταση του Εξαρθήματος Επιτοίχιας Βάσης **VS**. Η χρήση άλλου εργαλείου μπορεί να προκαλέσει υπερβολικό σφίξιμο του Εξαρθήματος Επιτοίχιας Βάσης **VS** και να προκληθεί ζημιά στην τηλεόραση ή στην οθόνη LCD.

4 Τοποθετήστε τα εξαρτήματα προσάρτησης για την Επιτοίχια βάση. Ελέγξτε τα εξαρτήματα προσάρτησης, ανατρέχοντας στην παράγραφο "Παρέχονται με το μοντέλο SU-WL450" στο "Έλεγχος των εξαρτημάτων" στη σελίδα 7.

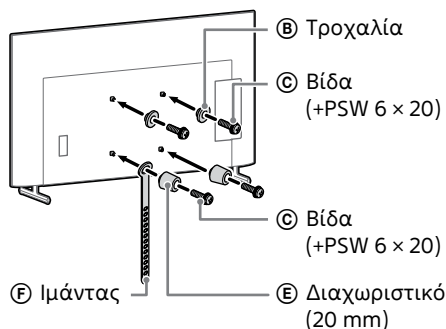
Σημείωση

- Στερεώστε σταθερά τα εξαρτήματα προσάρτησης με βίδες.
- Εάν χρησιμοποιήσετε ηλεκτρικό κατασαβίδι, ρυθμίστε τη ροπή στρέψης περίπου στην τιμή 1,5 N·m {15 kgf·cm}.

Εάν επιλεγεί η τυπική τοποθέτηση (2-a):



Εάν επιλεγεί η λεπτή τοποθέτηση (2-b):



5 Συνδέστε τα απαραίτητα καλώδια στην τηλεόραση ή στην οθόνη LCD.

Συνδέστε οπωσδήποτε τα καλώδια πριν από την τοποθέτηση της τηλεόρασης ή της οθόνης LCD στον τοίχο. Δεν θα μπορείτε να συνδέσετε τα καλώδια ενώ έχει τοποθετηθεί η τηλεόραση ή η οθόνη LCD.

Σημείωση

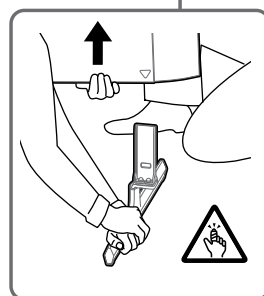
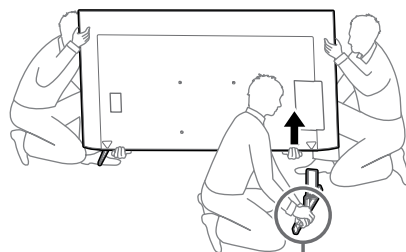
- Αναθέστε τη δρομολόγηση των καλωδίων στον τοίχο σε εξουσιοδοτημένο τεχνικό.
- Δέστε μαζί τα καλώδια σύνδεσης για να μην τα πατήσετε πριν από την επιτοίχια τοποθέτηση.

6 Αφαιρέστε τη Βάση επιτραπέζιας τοποθέτησης από την τηλεόραση ή την οθόνη LCD.

Η παρακάτω εικόνα είναι ένα παράδειγμα της λειτουργίας.

Εκτός των KD-75X85L / 65X85L / 65X85BL / 55X85L, KM-75X85L / 65X85L / 55X85L, XR-85X90L / 75X90L / 65X90L / 55X90L, XRM-85X90L / 75X90L / 65X90L / 55X90L

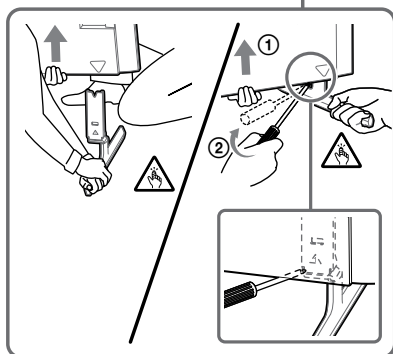
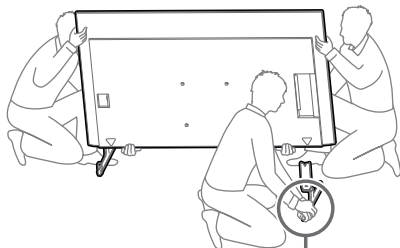
- Αφαιρέστε μία-μία τις πλευρές της βάσης επιτραπέζιας τοποθέτησης. Κρατήστε σταθερά και με ασφάλεια τη βάση επιτραπέζιας τοποθέτησης και με τα δύο χέρια ενώ κάποιος άλλος ανασκώνουν την τηλεόραση ή την οθόνη LCD.



- Επαναλάβετε το προηγούμενο βήμα και αφαιρέστε την άλλη πλευρά της βάσης επιτραπέζιας τοποθέτησης.

Μόνο για το μοντέλο KD-75X85L / 65X85L / 65X85BL / 55X85L, KM-75X85L / 65X85L / 55X85L

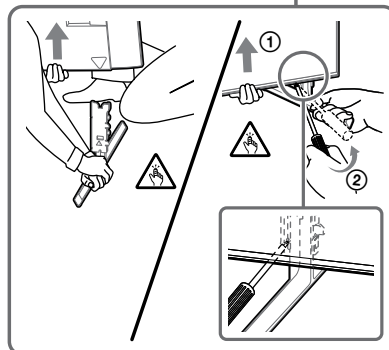
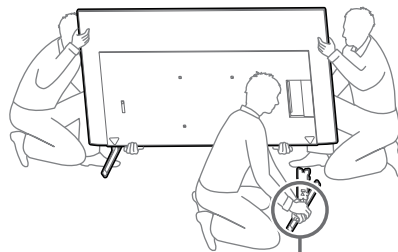
- Αφαιρέστε μία-μία τις πλευρές της βάσης επιτραπέζιας τοποθέτησης. Κρατήστε σταθερά και με ασφάλεια τη βάση επιτραπέζιας τοποθέτησης και με τα δύο χέρια ενώ κάποιος άλλος ανασηκώνουν την τηλεόραση ή την οθόνη LCD.



- Επαναλάβετε το προηγούμενο βήμα και αφαιρέστε την άλλη πλευρά της βάσης επιτραπέζιας τοποθέτησης.

Μόνο για το μοντέλο XR-85X90L / 75X90L / 65X90L / 55X90L, XRM-85X90L / 75X90L / 65X90L / 55X90L

- Αφαιρέστε μία-μία τις πλευρές της βάσης επιτραπέζιας τοποθέτησης. Κρατήστε σταθερά και με ασφάλεια τη βάση επιτραπέζιας τοποθέτησης και με τα δύο χέρια ενώ κάποιος άλλος ανασηκώνουν την τηλεόραση ή την οθόνη LCD.



- Επαναλάβετε το προηγούμενο βήμα και αφαιρέστε την άλλη πλευρά της βάσης επιτραπέζιας τοποθέτησης.

Σημείωση

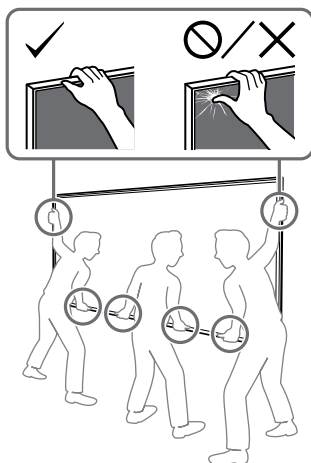
- Για την αφαίρεση της Βάσης επιτραπέζιας τοποθέτησης απαιτούνται τρία ή περισσότερα άτομα.
- Προσέξτε να μην ασκήσετε υπερβολική δύναμη κατά την αφαίρεση της Βάσης επιτραπέζιας τοποθέτησης από την τηλεόραση ή την οθόνη LCD καθώς μπορεί να προκληθεί πτώση της τηλεόρασης ή της οθόνης LCD και, κατά συνέπεια, τραυματισμός ή ζημιά στην τηλεόραση ή στην οθόνη LCD.
- Προσέξτε κατά τον χειρισμό της Βάσης επιτραπέζιας τοποθέτησης για την αποφυγή πρόκληση ζημιάς στην τηλεόραση ή στην οθόνη LCD.
- Προσέχετε όταν σηκώνετε την τηλεόραση ή την οθόνη LCD καθώς, επειδή έχει αφαιρεθεί η Βάση επιτραπέζιας τοποθέτησης, η Βάση μπορεί να πέσει και να προκληθεί τραυματισμός.
- Προσέχετε όταν αφαιρείτε τη Βάση επιτραπέζιας τοποθέτησης από την τηλεόραση ή την οθόνη LCD ώστε να μην πέσει και προκαλέσει ζημιά στην επιφάνεια όπου στέκεται η τηλεόραση ή η οθόνη LCD.

Τοποθέτηση της τηλεόρασης ή της οθόνης LCD στον τοίχο

Μόνο για το μοντέλο KD-85X8xL / 85X8xBL / 75X8xL / 75X8xBL, KM-85X8xL / 75X8xL, XR-85X9xL / 75X9xL, XRM-85X9xL / 75X9xL

ΠΡΟΕΙΔΟΠΟΙΗΣΗ

- Για τη μεταφορά μιας μεγάλης τηλεόρασης ή οθόνης LCD απαιτούνται δύο ή περισσότερα άτομα (τρία ή περισσότερα άτομα για τηλεοράσεις ή οθόνες LCD 189,3 cm (75 ίντσες) και άνω) (εκτός από την Αίγυπτο). Για τη μεταφορά μιας μεγάλης τηλεόρασης ή οθόνης LCD απαιτούνται δύο ή περισσότερα άτομα (τρία ή περισσότερα άτομα για τηλεοράσεις ή οθόνες LCD 75 ίντσες (189,3 cm) και άνω) (μόνο για την Αίγυπτο).



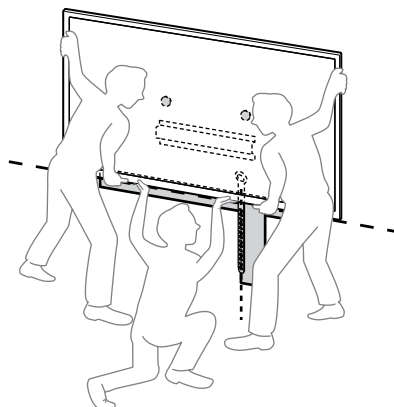
1 Σηκώστε την τηλεόραση ή την οθόνη LCD.

- Για να τοποθετήσετε τις Τροχαλίες ② στη Βάση (20) ④ ή στον Προσαρμογέα βάσης ①, ανατρέξτε στο "Θέση τοποθέτησης Προσαρμογέα βάσης ①" στη σελίδα 21.
- Βεβαιωθείτε ότι το πίσω μέρος της τηλεόρασης ή της οθόνης LCD αγγίζει τη Βάση (20) ④ ή τον Προσαρμογέα βάσης ① όταν κρατάτε την τηλεόραση ή την οθόνη LCD.

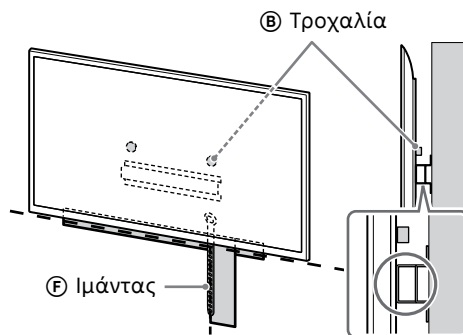
Σημείωση

- Κρατάτε την τηλεόραση ή την οθόνη LCD γερά και με τα δύο χέρια και βεβαιωθείτε ότι ο Ιμάντας ⑤ και το κάτω μέρος της τηλεόρασης ή της οθόνης LCD ευθυγραμμίζονται με τη χαρτοταινία.

- Η τηλεόραση ή η οθόνη LCD πρέπει να μεταφερθεί από τρία άτομα και το άτομο που βρίσκεται μπροστά από την τηλεόραση ή την οθόνη LCD καθοδηγεί τους υπόλοιπους για να προσαρμόζει τη θέση.



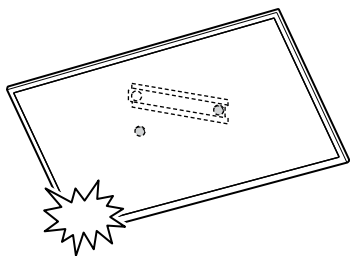
- Δώστε ιδιαίτερη προσοχή όταν εγκαθιστάτε την τηλεόραση ή την οθόνη LCD στον τοίχο, ειδικά το άτομο που στηρίζει την τηλεόραση ή την οθόνη LCD από κάτω, καθώς η τηλεόραση ή η οθόνη LCD ενδέχεται να πέσει προκαλώντας σοβαρό τραυματισμό ή ακόμα και θάνατο.



2 Εγκαταστήστε την τηλεόραση ή την οθόνη LCD στη Βάση (20) ④ ή στον Προσαρμογέα βάσης ①.

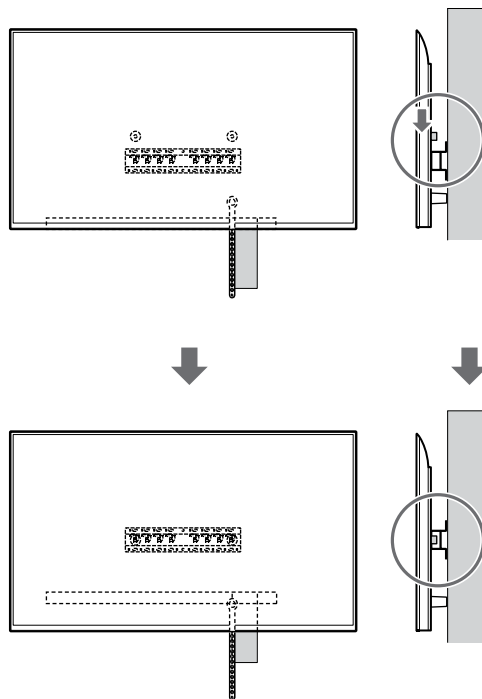
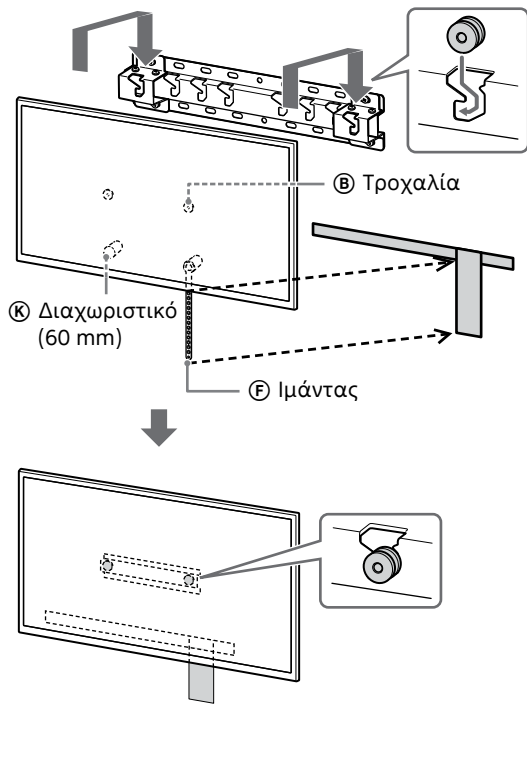
- Ολισθήστε προς τα κάτω απαλά την τηλεόραση ή την οθόνη LCD και αναρτήστε τις Τροχαλίες ② που έχετε συνδέσει στο πίσω μέρος της τηλεόρασης ή της οθόνης LCD στη Βάση (20) ④ ή στον Προσαρμογέα βάσης ①, φροντίζοντας να επιβεβαιώσετε το σχήμα των οπών.
- Αφού τοποθετήσετε την τηλεόραση ή την οθόνη LCD στον τοίχο, βεβαιωθείτε ότι οι Τροχαλίες ② έχουν ασφαλίσει καλά στη Βάση (20) ④ ή στον Προσαρμογέα βάσης ①.

- Αφήστε αργά και τα δύο χέρια ώστε να βεβαιωθείτε ότι η τηλεόραση ή η οθόνη LCD δεν πέφτει.

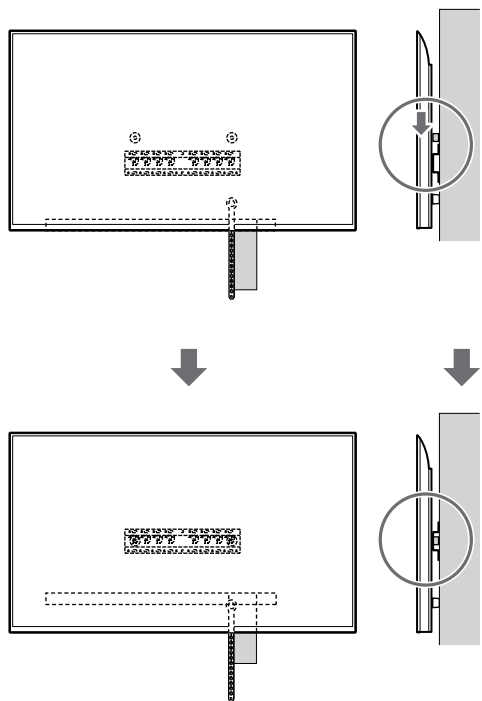
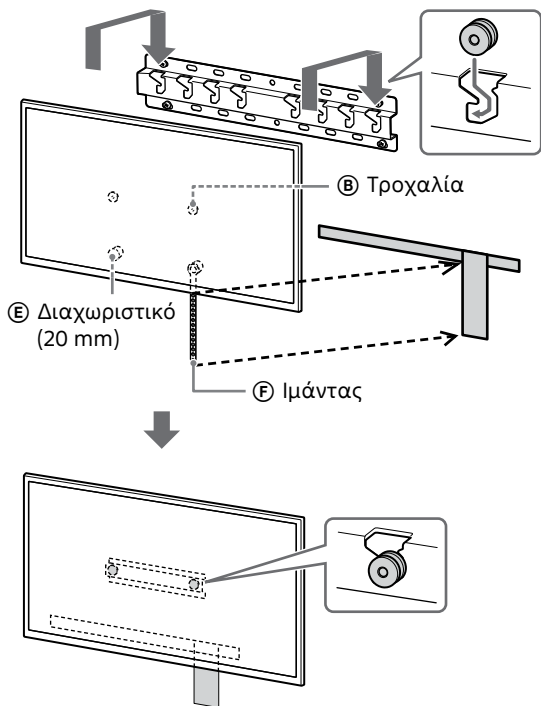


- Αφού εγκαταστήσετε την τηλεόραση ή την οθόνη LCD στον τοίχο, αφαιρέστε τη χαρτοταινία, κ.λπ. από τον τοίχο.

Εάν επιλεγεί η τυπική τοποθέτηση (2-a):

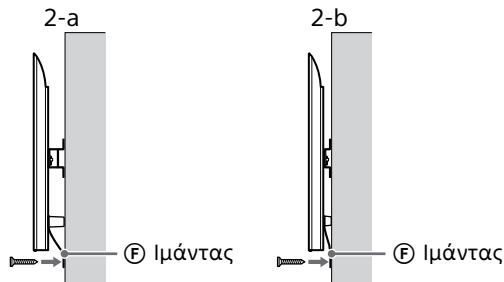


Εάν επιλεγεί η λεπτή τοποθέτηση (2-b):



3 Αποτρέψτε την μετατόπιση του κάτω μέρους της τηλεόρασης ή της οθόνης LCD.

- Τεντώστε τον Ιμάντα (F) και συνδέστε τον στον τοίχο σταθερά.



- Χρησιμοποιήστε μια βίδα διαμέτρου 5 mm ή ισοδύναμη (δεν παρέχεται).

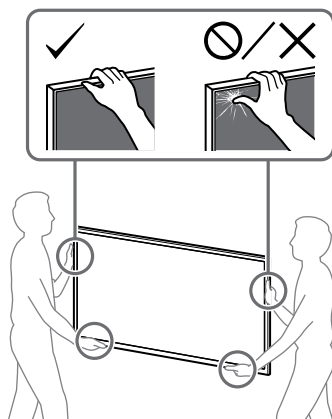
Σημείωση

- Δοκιμάστε να τραβήξετε το κάτω μέρος της τηλεόρασης ή της οθόνης LCD ελαφρά προς το μέρος σας, για να βεβαιωθείτε ότι δεν μετακινείται προς τα εμπρός. Αν παρατηρήσετε ότι κινείται, τότε δεν έχει στερεωθεί σωστά και πρέπει να συνδέσετε ξανά τον Ιμάντα (F) σταθερά.

Εκτός των KD-85X8xL / 85X8xBL / 75X8xL / 75X8xBL, KM-85X8xL / 75X8xL, XR-85X9xL / 75X9xL, XRM-85X9xL / 75X9xL

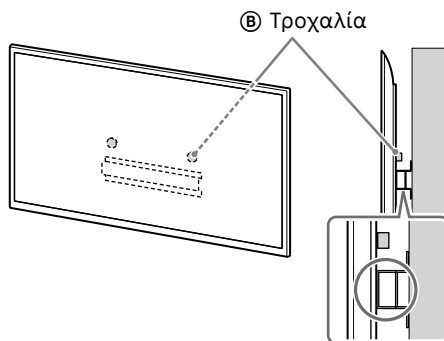
ΠΡΟΕΙΔΟΠΟΙΗΣΗ

- Για τη μεταφορά μιας μεγάλης τηλεόρασης ή οθόνης LCD απαιτούνται δύο ή περισσότερα άτομα (τρία ή περισσότερα άτομα για τηλεοράσεις ή οθόνες LCD 189,3 cm (75 ίντσες) και άνω) (εκτός από την Αίγυπτο). Για τη μεταφορά μιας μεγάλης τηλεόρασης ή οθόνης LCD απαιτούνται δύο ή περισσότερα άτομα (τρία ή περισσότερα άτομα για τηλεοράσεις ή οθόνες LCD 75 ίντσες (189,3 cm) και άνω) (μόνο για την Αίγυπτο).



1 Σηκώστε την τηλεόραση ή την οθόνη LCD.

- Για να τοποθετήσετε τις Τροχαλίες (B) στη Βάση (20) (A) ή στον Προσαρμογέα βάσης (1), ανατρέξτε στο "Θέση τοποθέτησης Προσαρμογέα βάσης (1)" στη σελίδα 21.
- Βεβαιωθείτε ότι το πίσω μέρος της τηλεόρασης ή της οθόνης LCD αγγίζει τη Βάση (20) (A) ή τον Προσαρμογέα βάσης (1) όταν κρατάτε την τηλεόραση ή την οθόνη LCD.

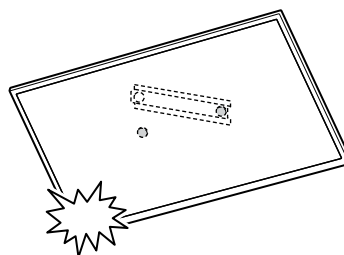


Σημείωση

- Κρατάτε την τηλεόραση ή την οθόνη LCD γερά και με τα δύο χέρια.

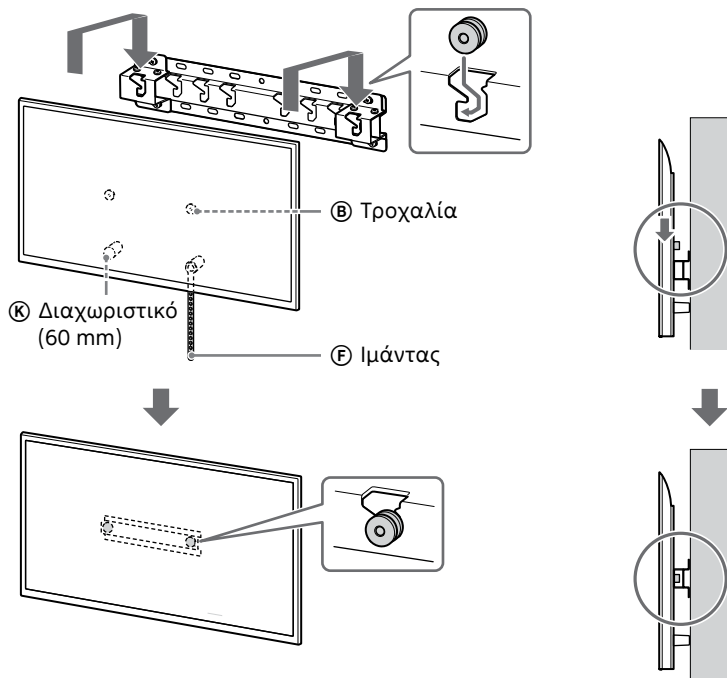
2 Εγκαταστήστε την τηλεόραση ή την οθόνη LCD στη Βάση (20) (A) ή στον Προσαρμογέα βάσης (1).

- Ολισθήστε προς τα κάτω απαλά την τηλεόραση ή την οθόνη LCD και αναρτήστε τις Τροχαλίες (B) που έχετε συνδέσει στο πίσω μέρος της τηλεόρασης ή της οθόνης LCD στη Βάση (20) (A) ή στον Προσαρμογέα βάσης (1), φροντίζοντας να επιβεβαιώσετε το σχήμα των οπών.
- Αφού τοποθετήσετε την τηλεόραση ή την οθόνη LCD στον τοίχο, βεβαιωθείτε ότι οι Τροχαλίες (B) έχουν ασφαλίσει καλά στη Βάση (20) (A) ή στον Προσαρμογέα βάσης (1).
- Αφήστε αργά και τα δύο χέρια ώστε να βεβαιωθείτε ότι η τηλεόραση ή η οθόνη LCD δεν πέφτει.

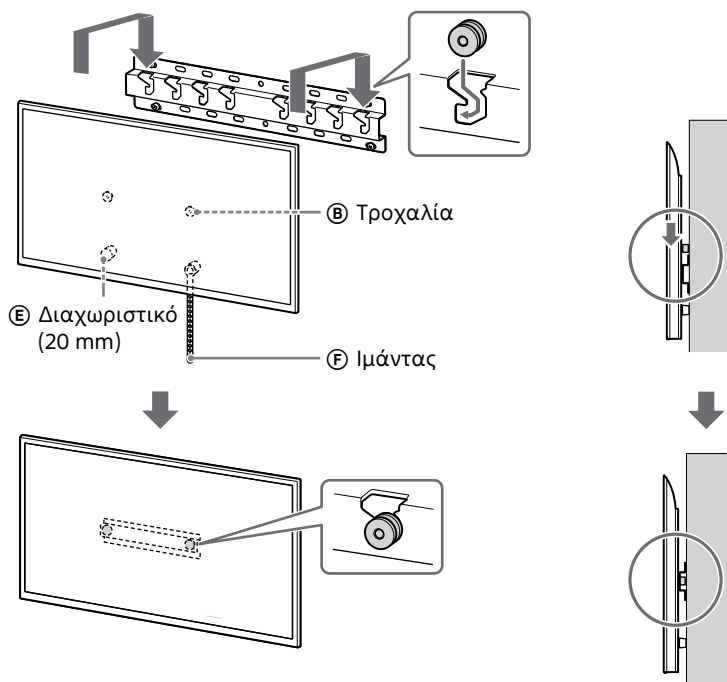


GR

Εάν επιλεγεί η τυπική τοποθέτηση (2-a):

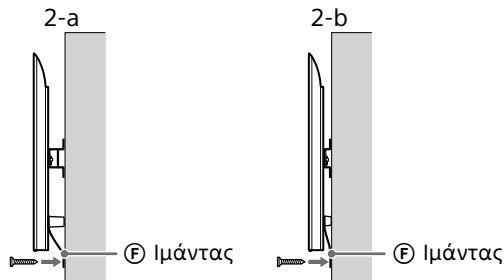


Εάν επιλεγεί η λεπτή τοποθέτηση (2-b):



3 Αποτρέψτε την μετατόπιση του κάτω μέρους της τηλεόρασης ή της οθόνης LCD.

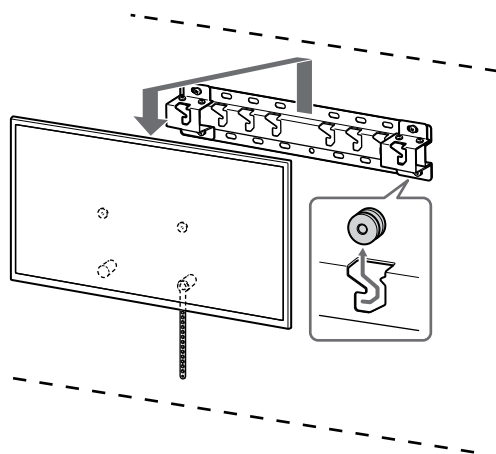
- Τεντώστε τον Ιμάντα ⑥ και συνδέστε τον στον τοίχο σταθερά.



- Χρησιμοποιήστε μια βίδα διαμέτρου 5 mm ή ισοδύναμη (δεν παρέχεται).

Σημείωση

- Δοκιμάστε να τραβήξετε το κάτω μέρος της τηλεόρασης ή της οθόνης LCD ελαφρά προς το μέρος σας, για να βεβαιωθείτε ότι δεν μετακινείται προς τα εμπρός. Αν παρατηρήσετε ότι κινείται, τότε δεν έχει στερεωθεί σωστά και πρέπει να συνδέσετε ξανά τον Ιμάντα ⑥ σταθερά.



ΠΡΟΕΙΔΟΠΟΙΗΣΗ

- Για τη μεταφορά μιας μεγάλης τηλεόρασης ή οθόνης LCD απαιτούνται δύο ή περισσότερα άτομα (τρία ή περισσότερα άτομα για τηλεοράσεις ή οθόνες LCD 189,3 cm (75 ίντσες) και άνω) (εκτός από την Αίγυπτο). Για τη μεταφορά μιας μεγάλης τηλεόρασης ή οθόνης LCD απαιτούνται δύο ή περισσότερα άτομα (τρία ή περισσότερα άτομα για τηλεοράσεις ή οθόνες LCD 75 ίντσες (189,3 cm) και άνω) (μόνο για την Αίγυπτο).

Επαλήθευση της ολοκλήρωσης των εργασιών τοποθέτησης

Ελέγξτε τα παρακάτω σημεία.

- Οι Τροχαλίες ③ έχουν αναρτηθεί σταθερά στη Βάση (20) ④ ή στον Προσαρμογέα βάσης ①.
- Το σχοινί και το καλώδιο δεν έχουν στρεβλωθεί ή συμπιεστεί.
- Ο Ιμάντας ⑥ είναι σφιχτός και δεν έχει λασκάρει.

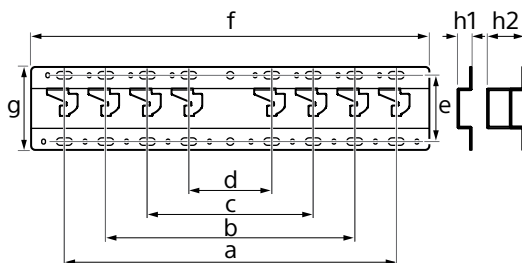
ΠΡΟΕΙΔΟΠΟΙΗΣΗ

- Η λανθασμένη τοποθέτηση του καλωδίου τροφοδοσίας κλπ. μπορεί να προκαλέσει πυρκαγιά ή ηλεκτροπληξία λόγω βραχυκυκλώματος. Για λόγους ασφάλειας, βεβαιωθείτε ότι έχουν ολοκληρωθεί οι εργασίες τοποθέτησης.

Άλλες πληροφορίες

Κατά την αφαίρεση της τηλεόρασης ή της οθόνης LCD, ακολουθήστε τα βήματα της διαδικασίας τοποθέτησης με την αντίστροφη σειρά.

Τεχνικά χαρακτηριστικά



Διαστάσεις: (Περίπου) [mm]

- a : 400
- b : 300
- c : 200
- d : 100
- e : 80
- f : 480
- g : 100

- h1 : 20 (για λεπτή τοποθέτηση, 2-b)
- h2 : 60 (για τυπική τοποθέτηση, 2-a)

Βάρος (μόνο για τη βάση): (Περίπου) [kg]

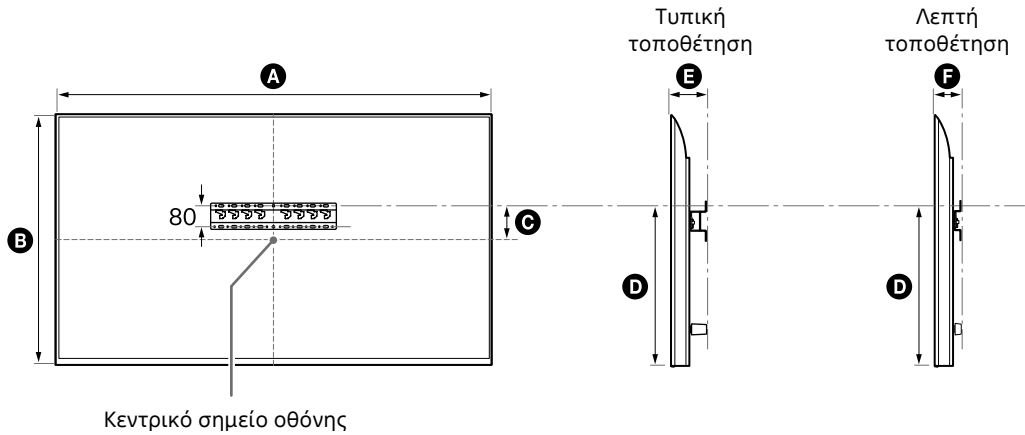
0,8

Ο σχεδιασμός και τα τεχνικά χαρακτηριστικά υπόκεινται σε αλλαγή χωρίς προειδοποίηση.

Αναφορές

Μέτρηση για τοποθέτηση Επιτοίχιας Βάσης στον τοίχο

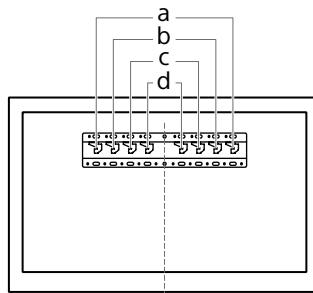
Οι τιμές του πίνακα ενδέχεται να διαφέρουν ελαφρώς ανάλογα με την εγκατάσταση.



(mm)

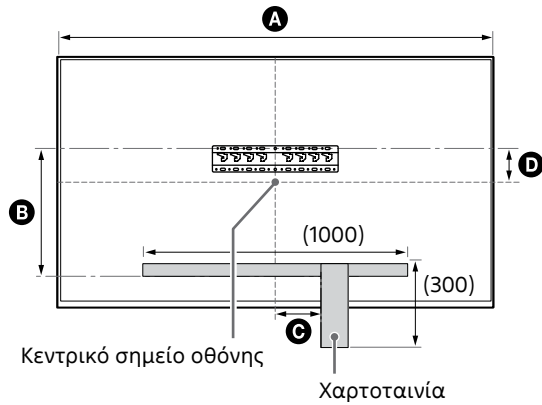
Όνομα μοντέλου	A	B	C	D	E	F
KD-85X81BL / 85X80L KM-85X80L	1901	1090	43	592	138	96
XR-85X90L XRM-85X90L	1891	1085	58	607	125	83
KD-75X85L KM-75X85L	1671	960	21	508	123	81
KD-75X81BL / 75X80L KM-75X80L	1675	962	12	493	137	95
XR-75X90L XRM-75X90L	1668	959	21	508	123	81
KD-65X85L / 65X85BL KM-65X85L	1447	832	85	505	123	81
KD-65X81BL / 65X80L KM-65X80L	1452	836	76	494	135	93
XR-65X90L XRM-65X90L	1445	831	85	505	123	81
KD-55X85L KM-55X85L	1228	709	146	505	122	81
KD-55X81BL / 55X80L KM-55X80L	1233	713	133	494	135	93
XR-55X90L XRM-55X90L	1225	707	146	505	122	81
KD-50X80L KM-50X80L	1119	649	63	392	133	91
KD-43X80L KM-43X80L	964	563	111	392	133	91

Θέση τοποθέτησης Προσαρμογέα βάσης ①



Όνομα μοντέλου	θέση άγκιστρου	Όνομα μοντέλου	θέση άγκιστρου
KD-85X81BL / 85X80L KM-85X80L XR-85X90L XRM-85X90L	a	KD-55X85L / 55X81BL / 55X80L KM-55X85L / 55X80L XR-55X90L XRM-55X90L	b
KD-75X85L / 75X81BL / 75X80L KM-75X85L / 75X80L XR-75X90L XRM-75X90L	b	KD-50X80L KM-50X80L	c
KD-65X85L / 65X85BL / 65X81BL / 65X80L KM-65X85L / 65X80L XR-65X90L XRM-65X90L	b	KD-43X80L KM-43X80L	c

Σήμανση τοίχου για τοποθεσία εγκατάστασης τηλεόρασης ή οθόνης LCD



(mm)

Όνομα μοντέλου	A	B	C	D
KD-85X81BL / 85X80L KM-85X80L	1901	472	200	43
XR-85X90L XRM-85X90L	1891	486	200	58
KD-75X85L KM-75X85L	1671	388	150	21
KD-75X81BL / 75X80L KM-75X80L	1675	373	150	12
XR-75X90L XRM-75X90L	1668	388	150	21

Sony Duvar Askı Aparatını Kullanma Hakkında Montaj Bilgileri (SU-WL450)

Desteklenen modeller*:

* Gerçek model adlarında "x"/"xx", bir modele özgü numara ve/veya karakterleri ifade eder.

KD-85X8xL / 85X8xBL / 75X8xL / 75X8xBL / 65X8xL / 65X8xBL / 55X8xL / 55X8xBL / 50X8xL / 43X8xL

KM-85X8xL / 75X8xL / 65X8xL / 55X8xL / 50X8xL / 43X8xL

XR-85X9xL / 75X9xL / 65X9xL / 55X9xL

XRM-85X9xL / 75X9xL / 65X9xL / 55X9xL

Müşterilerimize

Ürünü koruma ve güvenlik nedenleriyle, Sony TV'nizin veya LCD Monitörünüzün montajının Sony satıcıları veya lisanslı yükleniciler tarafından gerçekleştirilmesini önemle önerir. Kendiniz kurmaya çalışmayın.

Sony Satıcıları ve Yüklenicilerine

Montaj, periyodik bakım ve bu ürünün incelenmesi sırasında güvenliğe son derece dikkat edin.

Özellikle duvarın TV'nin veya LCD Monitörün ağırlığına dayanacak kadar güçlü olup olmadığını belirlemek için bu ürünün montajı için yeterli derece uzmanlık gerekir. Bu ürünün duvara takılması konusunda Sony satıcılarına veya lisanslı yüklenicilere güvenin ve montaj sırasında güvenliğe yeterince dikkat edin. Sony, montajın yanlış yöntemle veya uygunsuz şekilde yapılmasından kaynaklanan hasar veya yaralanmalardan sorumlu değildir.

Güvenlik ve doğru kurulum için, Duvar Askı Aparatı Kullanım Talimatlarını, TV veya LCD Monitör Kurulum Kılavuzunu ve bu kılavuzdaki talimatları izleyin.

Duvar Askı Aparatı

Güvenlik

Bu ürünü satın aldığınız için teşekkür ederiz.

Müşterilerimize

Televizyonu veya LCD Monitörü duvara monte etme



UYARI

PROFESYONEL MONTAJ GEREKLİDİR

Bu ürün; duvarın, televizyonun veya LCD Monitörün ağırlığını taşıyabilecek sağlamlıkta olduğunu belirlemek için gerekli eğitimi almış, profesyonel bir montör tarafından monte edilmelidir. Montaj sırasında sağlam şekilde sabitlenmezse televizyon veya LCD Monitör düşebilir ve ciddi yaralanmalara neden olabilir. Sony yanlış taşıma veya montajdan veya belirtilen ürün dışında bir ürünün montajından kaynaklanabilecek hasarlar ve yaralanmalara ilgili hiçbir sorumluluk kabul etmez. Yasal Haklarınız (varsa) etkilenmez.

Sony Bayilerine

Bu ürünün monte etmek için yeterli derecede uzmanlık gereklidir. Montaj işinin güvenli bir şekilde yapılması için mutlaka bu kullanım kılavuzunun tamamını okuyun. Sony, montajın yanlış yöntemle veya uygunsuz şekilde yapılmasından kaynaklanan hasarlardan veya yaralanmalardan sorumlu değildir. Montajdan sonra lütfen bu kılavuzu müşteriye verin.

Bu kullanım kılavuzunda ürünün doğru kullanımını ve kazaları önlemek için alınması gereken önemli tedbirler açıklanmaktadır. Bu kullanım kılavuzunda verilen tüm talimatların okunması, anlaşılması ve takip edilmesi kullanıcının sorumluluğundadır. Aksi takdirde ciddi yaralanmalar veya maddi hasar meydana gelebilir ve garanti geçersiz kalabilir. Bu kılavuzu ileride başvurmak için saklayın.

Sony ürünleri güvenliğe önem verilerek tasarlanmıştır. Ürünlerin yanlış kullanılması; yangın, elektrik çarpması, ürünün devrilmesi veya ürünün düşmesi sonucunda ciddi yaralanmaya neden olabilir. Bu gibi kazaları önlemek için güvenlik tedbirlerine mutlaka uyun.

Üretici Firma: Sony Corporation
Adres: 1-7-1 Konan Minato-ku Tokyo,
108-0075 Japan
Telefon: (+81 3) 6748 2111

Türkiye İrtibat Numaraları:
Tel: 0216-633 98 00
Faks: 0216-632 70 30
e-mail: bilgi@eu.sony.com

AEEE Yönetmeliğine Uygundur
PCB içermez

SONY®

İthalatçı Firma: Sony Eurasia Pazarlama A.Ş.

Adres: Onur Ofis Park Plaza Saray Mah.
Ahmet Tevfik İleri Cad.
No:10 34768 Ümraniye
İstanbul Türkiye
Sony Bilgi ve Danışma Hattı:
444 SONY (7669)
(+90 216) 633 98 00

DİKKAT

Belirtilen ürünler

Bu Duvar Askı Aparatı belirtilen televizyonlarla kullanılacak şekilde tasarlanmıştır. Televizyonlar veya LCD Monitörler için, Duvar Askı Aparatının kullanılabilirliğini doğrulamak için televizyonların veya LCD Monitörlerin Başvuru Kılavuzuna bakın.

Müşterilerimize

UYARI

Aşağıdaki tedbirlerin alınmaması; yangın, elektrik çarpması veya ürünün düşmesi sonucunda ciddi yaralanmaya veya ölüme neden olabilir.

Montajı mutlaka lisanslı yüklenicilere yaptırın ve montaj sırasında küçük çocukları uzak tutun.

Duvar Askı Aparatı veya televizyon ya da LCD Monitör doğru monte edilmezse, aşağıdaki kazalar meydana gelebilir. Montajı mutlaka lisanslı yüklenicilere yaptırın.

- Televizyon veya LCD Monitör düşebilir ve sıyrık veya kırık gibi ciddi bir yaralanmaya neden olabilir.
- Duvar Askı Aparatının monte edileceği duvar sabit değil, pürüzlü veya zemine dik değilse, ünite düşebilir ve yaralanmaya veya malın hasar görmesine neden olabilir. Duvar, televizyonun veya LCD Monitörün ağırlığının en az dört katını destekleyebilmelidir. (Televizyonun veya LCD Monitörün ağırlığı için Başvuru Kılavuzuna bakın.)
- Duvar Askı Aparatının duvara montajının yeterli derecede sağlam yapılması, ünitenin düşmesine ve ciddi yaralanmaya veya malın hasar görmesine neden olabilir.

Televizyonun ya da LCD Monitörün montajını veya demontajını mutlaka lisanslı yüklenicilere yaptırın.

Televizyonu veya LCD Monitörü lisanslı yüklenicilerin dışındaki kişiler taşırsa veya demonte ederse, televizyon düşebilir ve ciddi yaralanmaya veya malın hasar görmesine neden olabilir. Büyük bir televizyon veya LCD Monitör taşımak için iki veya daha fazla kişi (189,3 cm (75 inç) ve üzeri televizyon veya LCD Monitör için üç veya daha fazla kişi) gereklidir (Mısır hariç). Büyük bir televizyon veya LCD Monitör taşımak için iki veya daha fazla kişi (75 inç (189,3 cm) ve üzeri televizyon veya LCD Monitör için üç veya daha fazla kişi) gereklidir (yalnızca Mısır).

Televizyonu veya LCD Monitörü monte ettikten sonra vidaları, vb. çıkarmayın.

Çıkarırsanız, televizyon veya LCD Monitör düşebilir ve ciddi yaralanmaya veya malın hasar görmesine neden olabilir.

Duvar Askı Aparatının parçalarında değişiklik yapmayın.

Değişiklik yaparsanız, Duvar Askı Aparatı düşebilir ve ciddi yaralanmaya veya malın hasar görmesine neden olabilir.

Belirtilen ürün dışındaki ekipmanları sökmeyin.

Bu Duvar Askı Aparatı yalnızca belirtilen ürünle kullanılacak şekilde tasarlanmıştır. Belirtilen ürünün dışında ekipman monte ederseniz, düşebilir veya kırılabilir ve ciddi yaralanmaya veya malın hasar görmesine neden olabilir.

Duvar Askı Aparatına televizyon veya LCD Monitör dışında bir yük yüklemeyin. Televizyonu veya LCD Monitörü sola/sağa, yukarı/aşağı sallamayın.

Çıkarırsanız, televizyon veya LCD Monitör düşebilir ve ciddi yaralanmaya veya malın hasar görmesine neden olabilir.

Televizyona veya LCD Monitöre dayanmayın veya asılmayın.

Televizyon veya LCD Monitör üzerinize düşebileceğinden ve ciddi yaralanmaya neden olabileceğinden televizyona dayanmayın veya asılmayın.

TR

DİKKAT

Aşağıdaki tedbirler alınmazsa, ciddi yaralanma veya malda hasar ortaya çıkabilir.

- Kullanılmayan parçaları daha sonra kullanmak üzere güvenli bir yerde sakladığınızdan emin olun. Bunları çocukların ulaşmayacakları bir yerde saklayın.

Temizleme veya bakım sırasında ürüne aşırı güç uygulamayın.

Televizyonun veya LCD Monitörün üst kenarına aşırı güç uygulamayın. Çıkarırsanız, televizyon veya LCD Monitör düşebilir ve ciddi yaralanmaya veya malın hasar görmesine neden olabilir.

Tedbirler

- Televizyonu veya LCD Monitörü Duvar Askı Aparatı takılı olarak uzun süre kullanırsanız, duvarın yapıldığı malzemeye bağlı olarak arkadaki duvarda veya televizyonun veya LCD Monitörün üstünde renk değişimi olabilir veya duvar kağıdı yerinden çıkabilir.
- Duvar Askı Aparatı duvara monte edildikten sonra çıkarılırsa, vida delikleri kalır.
- Duvar Askı Aparatını mekanik titreşimlere maruz kalan bir yerde kullanmayın.

Duvar Askı Aparatını Monte Etme

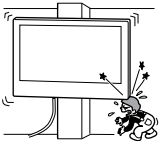
Sony Bayilerine

UYARI

Aşağıdaki talimatlar yalnızca Sony bayii için içindir. Bu ürünün montajı, bakımı ve kontrolü sırasında, yukarıda belirtilen güvenlik tedbirlerini okuduğunuzdan ve güvenliğe özellikle önem verdiğinizden emin olun.

Duvar Askı Aparatını televizyonun ya da LCD Monitörün köşelerinin veya kenarlarının duvar yüzeyinden çıkıntı yaptığı duvar yüzeylerine monte etmeyin.

Duvar Askı Aparatını televizyonun veya LCD Monitörün köşelerinin veya kenarlarının duvar yüzeyinden çıkıntı yaptığı, kolon gibi duvar yüzeylerine monte etmeyin. Bir kişi veya nesne televizyonun veya LCD Monitörün çıkıntı yapan köşesine veya kenarına çarparsa, yaralanma veya mal hasarı ortaya çıkabilir.

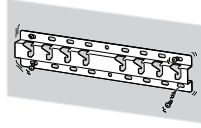


Televizyonu veya LCD Monitörü klimanın üzerine veya altına monte etmeyin.

Televizyon veya LCD Monitör klimadan gelen su sızıntısı veya hava akımına uzun süre maruz kalırsa, yangın, elektrik çarpması veya televizyonda ya da LCD Monitörde arıza meydana gelebilir.

Duvar askı aparatını duvara bu kullanım kılavuzundaki talimatlara göre sağlam bir şekilde monte ettiğinizden emin olun.

Vidalardan biri gevşerse veya çıkarsa, Duvar Askı Aparatı düşebilir ve ciddi yaralanmaya veya mal hasarına neden olabilir. Duvarın malzemesi için uygun vidaları kullandığınızdan ve üniteyi 8 mm (veya eşdeğeri) çapında dört veya daha fazla vida kullanarak sağlam bir şekilde monte ettiğinizden emin olun.



Birlikte verilen vidaları ve ek parçaları bu kullanım kılavuzundaki talimatlara göre doğru bir şekilde kullandığınızdan emin olun. Başka parçalar kullanırsanız, televizyon veya LCD Monitör düşebilir ve bedensel yaralanmaya veya televizyonun ya da LCD Monitörün hasar görmesine neden olabilir.

Aparatı bu kullanım kılavuzunda açıklanan prosedüre göre doğru bir şekilde monte ettiğinizden emin olun.

Vidalardan biri gevşer veya çıkarsa, televizyon veya LCD Monitör düşebilir ve bedensel yaralanmaya veya televizyonun ya da LCD Monitörün hasar görmesine neden olabilir.

Vidaları gösterilen konumda iyice sıkıştırdığınızdan emin olun.

Bu yapılmazsa, televizyon veya LCD Monitör düşebilir ve bedensel yaralanmaya veya televizyonun ya da LCD Monitörün hasar görmesine neden olabilir.

Montaj sırasında televizyonu veya LCD Monitörü darbeye maruz bırakmamaya dikkat edin.

Televizyon veya LCD Monitör darbeye maruz bırakılırsa, düşebilir veya parçalarına ayrılabilir. Bu, yaralanmaya neden olabilir.

Televizyonu veya LCD Monitörü dik ve düz bir duvara monte ettiğinizden emin olun.

Bu yapılmazsa, televizyon veya LCD Monitör düşebilir ve yaralanmaya neden olabilir.

Televizyon veya LCD Monitör doğru şekilde monte edildikten sonra, kabloları doğru şekilde sabitleyin.

Kişiler veya nesnelere kablolarla takılırsa, yaralanma veya televizyonda ya da LCD Monitörde hasar ortaya çıkabilir.

AC güç kablosunun veya bağlantı kablosunun sıkışmasına izin vermeyin.

AC güç kablosu veya bağlantı kablosu ünite ile duvar arasına sıkıştırsa veya güç uygulanarak bükülür veya kıvrılırsa, iç iletkenler ortaya çıkabilir ve bu durum, kısa devreye veya elektrik kesilmesine neden olabilir. Bu durum, yangına veya elektrik çarpmasına neden olabilir.



Duvar Askı Aparatını duvara sabitlemek için gereken vidalar ürünle birlikte verilmez.

Duvar Askı Aparatını monte ederken duvar malzemesi ve yapısı için uygun vidaları kullanın.

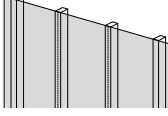
Başlamadan önce

- Bu kılavuzda gösterilen Televizyon veya LCD Monitör resimleri, işlemlere dair net açıklamalar sağlamak için kullanılan örneklerdir. Bu nedenle, resimler gerçek Televizyonunuz veya LCD Monitörünüzden farklı görünebilir.

Duvarınızın malzemesi nedir?

Öncelikle, TV'nin veya LCD Monitörün monte edileceği duvarın tipini kontrol edin.

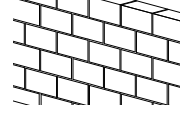
Metal çerçeveli kuru duvar



Tedbirler

- Maksimum kuru duvar kalınlığı: 16 mm.
- İç ahşap saplama vidasının boyutunun genel için 51 mm × 102 mm ve nominal için 38 mm × 89 mm olduğundan emin olun.

İç Dolu Beton veya Beton Blok



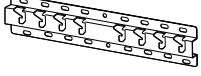








Tedbirler

- Duvar Askı Aparatını doğrudan içi dolu beton duvara monte edin.
- İçi dolu beton duvarın en az 203 mm kalınlıkta olduğundan emin olun.
- Her bir beton bloğun en az 203 mm × 203 mm × 406 mm boyutunda olduğundan emin olun.






Parçaları kontrol etme

SU-WL450 ile birlikte verilir

- Tüm parçaların bulunduğundan emin olun.

A Taban (20) (x1) 	B Makara (x2) 	C Vida (+PSW 6 x 20) (x4) 	E Ara Parçası (20 mm) (x2) 
F Kayış (x1) 	I Taban Adaptörü (x2) 	J Vida (+PSW 4 x 10) (x8) 	K Ara Parçası (60 mm) (x2) 
L Vida (+PSW 6 x 50) (x2) 			

- Bu parçalar sizin modelinizde kullanılamaz.

D Vida (+PSW 4 x 20) burç ile (x2) 	G Burç (20) (M4) (x2) 	H Vida (+PSW 4 x 20) (x2) 	M Burç (M4) (x2) 
N Vida (+PSW 4 x 50) (x2) 			



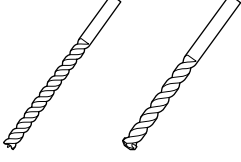
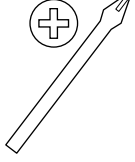
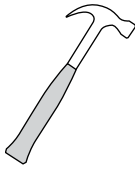
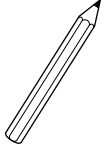
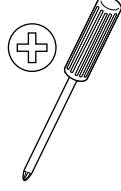
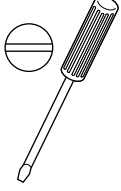
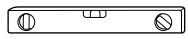



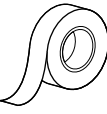
TV veya LCD Monitör ile birlikte verilir

Duvar Askı Aparatı VS (x4)* 
--

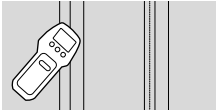
- * Sadece kısıtlı bölgede/ülkede/modelde.

Montaj için hazırlanma

- Kurulumdan önce televizyonun veya LCD Monitörün Başvuru Kılavuzunu ve Kurulum Kılavuzunu hazır bulundurun.
- Televizyonun veya LCD Monitörün montaj konumunu onaylayın.
- 8 mm çapında dört veya daha fazla vida ve 5 mm çapında veya eşdeğer bir vida hazırlayın (birlikte verilmez). Duvarın malzemesine uygun vidalar seçin.
- Aşağıdaki aletleri hazırlayın:

*1				
*2			 1,5 N·m {15 kgf·cm}	 1,5 N·m {15 kgf·cm}
		*2  (x4)	 (x4) 8 mm x 60 mm	 5 mm
*4				

*1 Sadece metal çerçeveli kuru duvarlar için



*2 Sadece içi dolu beton veya beton blok duvarlar için

*3 Modele bağlı olarak

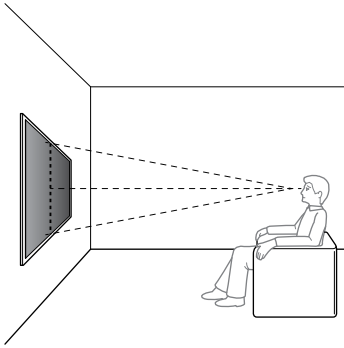
*4 Yalnızca 189,3 cm (75 inç) üzeri Televizyonlar veya LCD Monitörler için (Mısır hariç)
Yalnızca 75 inç (189,3 cm) üzeri Televizyonlar veya LCD Monitörler için (yalnızca Mısır)

Duvar Askı Aparatının duvara montajı

- 1** Montaj konumuna karar verin. Duvarda TV veya LCD Monitör için yeterince alan olduğundan ve duvarın TV'nin veya LCD Monitörün ağırlığının en az dört katı ağırlık taşıyabileceğinden emin olun. TV'nin veya LCD Monitörün ağırlığı için TV'nizin veya LCD Monitörünüzün Başvuru Kılavuzuna bakın.

Not

- TV'niz veya LCD Monitörünüz duvara monte edildiğinde, TV'nin veya LCD Monitörün üst tarafı öne doğru biraz eğilir.
- Kurulum konumunu televizyonu veya LCD Monitörü izleyeceğiniz yerden kontrol etmenizi öneririz.



- 2** Aşağıda gösterildiği gibi duvara montaj tarzını seçin.

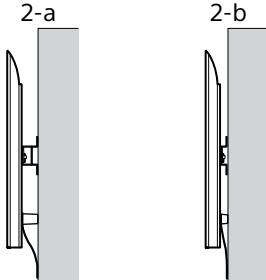
2-a: Standart montaj

2-b: İnce montaj

- 18. sayfadaki "Duvar Askı Aparatının duvara montajı için ölçüm" bölümüne başvurun.

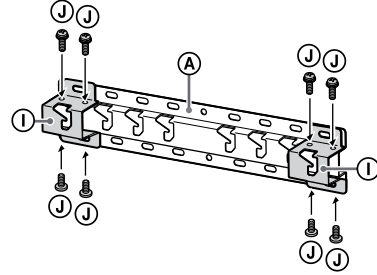
UYARI

- 2-b seçildiğinde, Arka terminale erişim sınırlıdır.



- 3** Standart montaj (2-a) seçilirse: Vidayı (+PSW 4 x 10) (J) kullanarak Taban Adaptörünü (I) Tabana (20) (A) takın.

- 19. sayfadaki "Taban Adaptörünün (I) takılacağı konum" bölümüne başvurun.



Ör., taban Adaptörünü (I) "a" konumuna takma

- İnce montaj (2-b) seçilirse:**
Bu adımı atlayın.

- 4** Tabanı (20) (A) kurmak için vidaların konumuna karar verin.

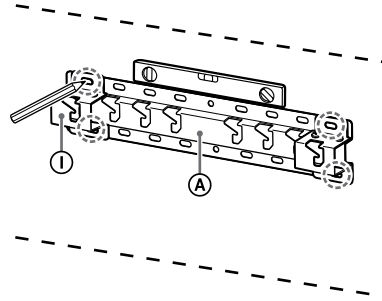
- 17. sayfadaki "Teknik Özellikler" bölümüne başvurun.

UYARI

- Televizyonun veya LCD Monitörün monte edileceği duvarın sağlamlığını belirleyin. Gerekirse duvarı yeterli derecede güçlendirin.
- Televizyonun veya LCD Monitörün monte edildiği duvar, televizyonun veya LCD Monitörün en az **dört katı** ağırlığı destekleyebilmelidir. (Televizyonun veya LCD Monitörün ağırlığı için Başvuru Kılavuzuna bakın.)

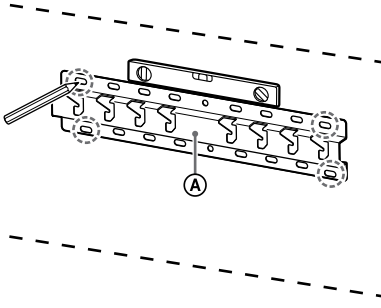
Standart montaj (2-a) seçilirse:

Taban Adaptörünün (I) delik konumlarını kullanın.



Ör., tabanın (20) (A) takılacağı "a" konumundaki işaret

İnce montaj (2-b) seçilirse:

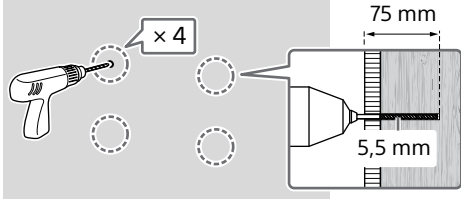


Ör., tabanın (20) A takılacağı "a" konumundaki işaret

5 İşaretlerin bulunduğu noktalara kılavuz delikleri delin.

Duvarda deliklerin delineceği konumun TV'nin veya LCD Monitörün ağırlığının en az dört katını destekleyebilecek kadar yeterince güçlü olduğundan emin olun.

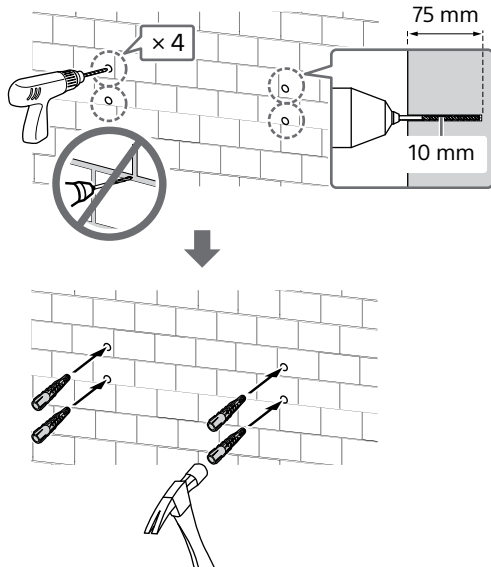
Metal çerçeveli kuru duvarlarda delik delme:



Not

- Pilot delikleri mutlaka 5,5 mm'lik matkap ucu kullanılarak en az 75 mm derinliğinde açılmalıdır.

İçi dolu beton veya beton blok duvarlarda delik delme:



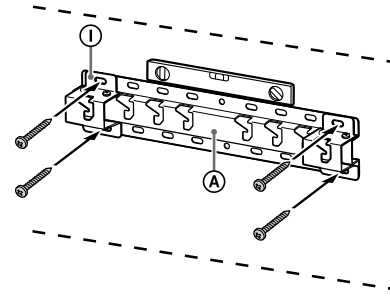
6 Taban (20) A'yı uygun vidalar (birlikte verilmez) kullanarak duvara monte edin.

Not

- 8 mm çapında veya eşdeğer dört veya daha fazla vida kullanın (birlikte verilmez).
- Bir su terazisi kullanarak Taban (20) A'nın düz olup olmadığını kontrol edin.

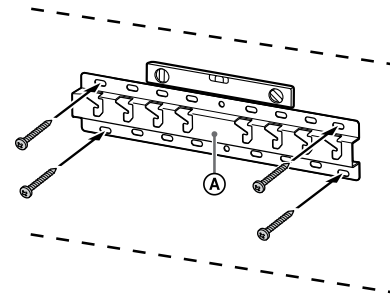
Standart montaj (2-a) seçilirse:

Dört vidayı taban (20) A ile Taban Adaptörünün 1 deliklerine takın.



Ör., tabanı (20) A "a" konumuna takma

İnce montaj (2-b) seçilirse:



Ör., tabanı (20) A "a" konumuna takma

7 Sadece KD-85X8xL / 85X8xBL / 75X8xL / 75X8xBL, KM-85X8xL / 75X8xL, XR-85X9xL / 75X9xL, XRM-85X9xL / 75X9xL

Kurulum konumunu duvara işaretleyin.

Maskeleme bandı (birlikte verilmez) kullanarak televizyonun veya LCD Monitörün konumunu Taban (20) A veya Taban Adaptörünün 1 yakınında işaretleyin.

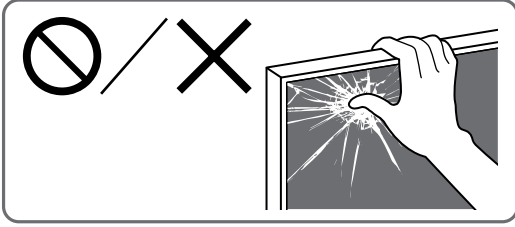
- 20. sayfadaki "Televizyon veya LCD Monitör montaj konumu için duvar işaretlemesi" bölümüne başvurun.

**KD-85X8xL / 85X8xBL /
75X8xL / 75X8xBL,
KM-85X8xL / 75X8xL,
XR-85X9xL / 75X9xL,
XRM-85X9xL / 75X9xL hariç**
Bu adımı atlayın.

Televizyonun veya LCD Monitörün montajı için hazırlanma

Not

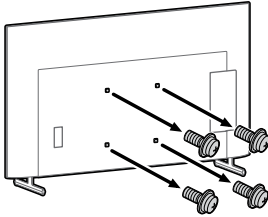
- Çıkarılan vidaları ve kullanılmayan parçaları çocuklardan uzak tutarak güvenli bir yerde depoladığınızdan emin olun.



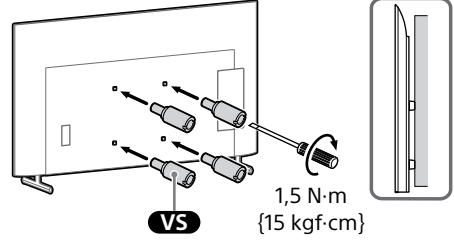
1 Televizyon veya LCD Monitörün ayakta durmasını sağlamak için Masa Üstü Sehpasını takın.

- Televizyonunuzun veya LCD Monitörünüzün Kurulum Kılavuzuna bakın.

2 TV'nin veya LCD Monitörün arkasındaki vidaları çıkarın.



3 Duvar Askı Aparatını **VS** (TV veya LCD Monitör ile birlikte verilir) TV'nin veya LCD Monitörün arkasına takın (duvarla paralel hale getirmek için).



Not

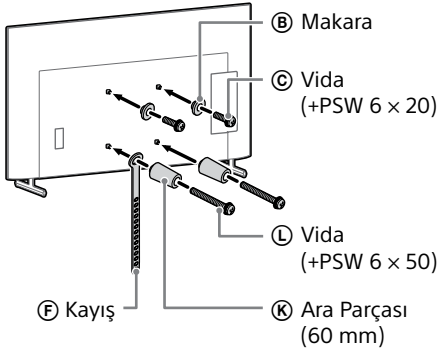
- Bunları Televizyona veya LCD Monitöre takarken Duvar Askı Aparatını **VS** sabitlediğinizden emin olun.
Duvar Askı Aparatını **VS** takmak için yalnızca düz başlı bir tornavida kullanın. Başka bir aletin kullanılması Duvar Askı Aparatının **VS** aşırı torkla sıkılmasına ve Televizyonun veya LCD Monitörün hasar görmesine neden olabilir.

4 Duvar Askı Aparatı için olan ek parçaları takın. 6. sayfada "Parçaları kontrol etme" içindeki "SU-WL450 ile birlikte verilir" bölümüne başvurarak Ek parçaları kontrol edin.

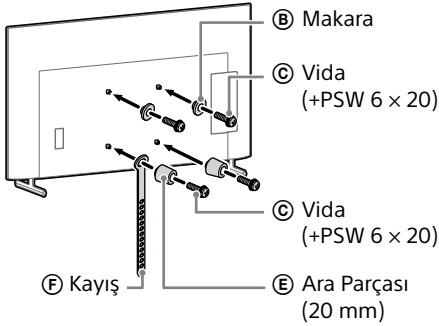
Not

- Ek parçaları vidaları kullanarak sıkı bir şekilde sabitleyin.
- Elektrikli tornavida kullanırken, torku yaklaşık 1,5 N·m {15 kgf·cm} olarak ayarlayın.

Standart montaj (2-a) seçilirse:



İnce montaj (2-b) seçilirse:



5 Gerekli kabloyu(kabloları) televizyona veya LCD Monitöre bağlayın.

Televizyonu veya LCD Monitörü duvara monte etmeden önce kabloları bağladığınızdan emin olun. Televizyon veya LCD Monitör monte edildiğinde kabloları bağlayamayacaksınız.

Not

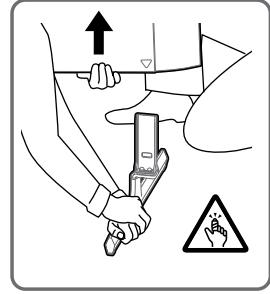
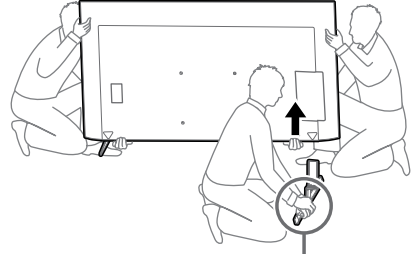
- Duvardan kablo geçirme işini lisanslı bir taşeronla verin.
- Üzerine basmamak için duvara montaj işleminden önce bağlantı kablolarını toplayın.

6 Masa Üstü Sehpaasını televizyondan veya LCD Monitörden sökün.

Aşağıdaki resim bir çalışma örneğidir.

KD-75X85L / 65X85L / 65X85BL / 55X85L, KM-75X85L / 65X85L / 55X85L, XR-85X90L / 75X90L / 65X90L / 55X90L, XRM-85X90L / 75X90L / 65X90L / 55X90L hariç

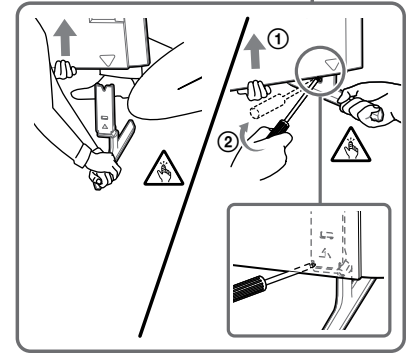
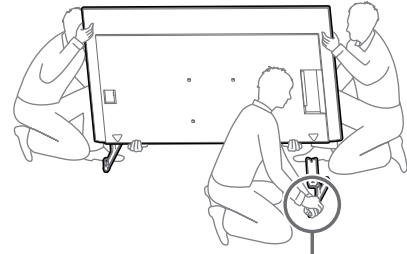
- Masa Üstü Sehpaanın bir tarafını bir seferde kaldırın. Diğer insanlar televizyonu veya LCD Monitörü kaldırırken iki elinizle Masa Üstü Sehpayı sıkıca ve güvenli bir şekilde tutun.



- Önceki adımı tekrarlayın ve Masa Üstü Sehpaanın diğer tarafını kaldırın.

Sadece KD-75X85L / 65X85L / 65X85BL / 55X85L, KM-75X85L / 65X85L / 55X85L

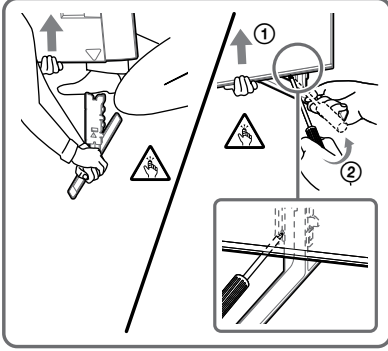
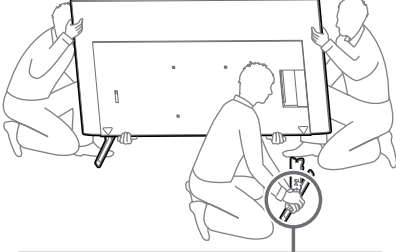
- Masa Üstü Sehpaanın bir tarafını bir seferde kaldırın. Diğer insanlar televizyonu veya LCD Monitörü kaldırırken iki elinizle Masa Üstü Sehpayı sıkıca ve güvenli bir şekilde tutun.



- Önceki adımı tekrarlayın ve Masa Üstü Sehpaanın diğer tarafını kaldırın.

Sadece XR-85X90L / 75X90L / 65X90L / 55X90L, XRM-85X90L / 75X90L / 65X90L / 55X90L

- Masa Üstü Sehpanın bir tarafını bir seferde kaldırın. Diğer insanlar televizyonu veya LCD Monitörü kaldırırken iki elinizle Masa Üstü Sehpayı sıkıca ve güvenli bir şekilde tutun.



- Önceki adımı tekrarlayın ve Masa Üstü Sehpanın diğer tarafını kaldırın.

Not

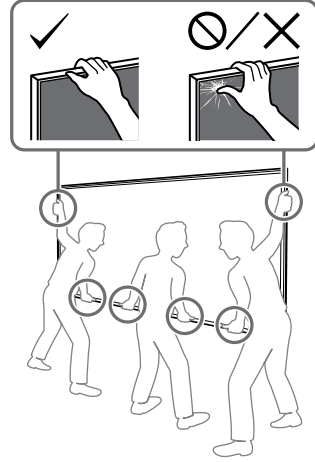
- Masa Üstü Sehpadan ayırmak için üç veya daha fazla insan gereklidir.
- Masa Üstü Sehpayı televizyondan veya LCD Monitörden ayırırken aşırı güç uygulamayın: çünkü televizyon veya LCD Monitör düşmesine ve dolayısıyla fiziksel yaralanma veya televizyonun ya da LCD Monitörün hasar görmesine neden olabilirsiniz.
- Televizyona veya LCD Monitöre hasar gelmesini engellemek için Masaüstü Sehpayı kaldırırken dikkatli olun.
- Masa Üstü Sehpası sökme işlemi sırasında televizyonu veya LCD Monitörü kaldırırken dikkatli olun; Masa Üstü Sehpası devrilebilir ve yaralanmalara neden olabilir.
- Masa Üstü Sehpasını televizyondan veya LCD Monitörden sökerken çıkarırken devrilmemesi ve televizyonun veya LCD Monitörün oturduğu yüzeye zarar vermemesi için dikkatli olun.

Televizyonu veya LCD Monitörü duvara monte etme

Sadece KD-85X8xL / 85X8xBL / 75X8xL / 75X8xBL, KM-85X8xL / 75X8xL, XR-85X9xL / 75X9xL, XRM-85X9xL / 75X9xL

UYARI

- Büyük bir televizyon veya LCD Monitör taşımak için iki veya daha fazla kişi (189,3 cm (75 inç) ve üzeri televizyon veya LCD Monitör için üç veya daha fazla kişi) gereklidir (Mısır hariç).
Büyük bir televizyon veya LCD Monitör taşımak için iki veya daha fazla kişi (75 inç (189,3 cm) ve üzeri televizyon veya LCD Monitör için üç veya daha fazla kişi) gereklidir (yalnızca Mısır).



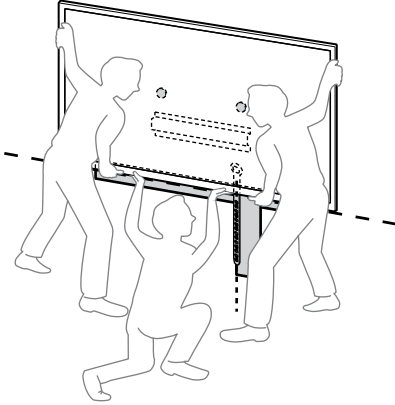
1 Televizyonu veya LCD Monitörü kaldırın.

- Makaraların (B), Taban (20) (A) veya Taban Adaptörü (1) üzerinde asılacağı konum için 19. sayfadaki "Taban Adaptörünün (1) takılacağı konum" bölümüne başvurun.
- Televizyonu veya LCD Monitörü tutarken televizyonun veya LCD Monitörün arka tarafının Taban (20) (A) veya Taban Adaptörünün (1) arka tarafına değiştiğinden emin olun.

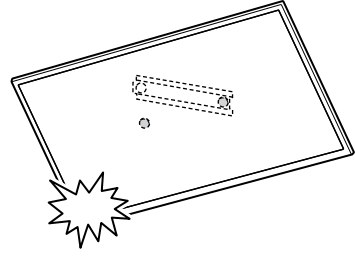
Not

- Televizyonu veya LCD Monitörü iki elinizle sıkı bir şekilde tutun ve Kayış (E) ile televizyonun veya LCD Monitörün alt kısmının maskeleme bandıyla aynı hizada olduğundan emin olun.

- Televizyonu veya LCD Monitörü üç kişiyle taşıyın ve televizyonun veya LCD Monitörün önündeki kişi, diğerlerinin konumu ayarlaması için kılavuzluk etsin.

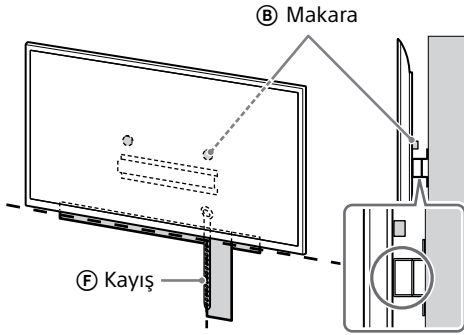


- Televizyonun veya LCD Monitörün düşmeyeceğinden emin olmak için her iki elinizi de yavaşça bırakın.



- Televizyonu veya LCD Monitörü duvara taktıktan sonra maskeleme bandını duvardan çıkarın.

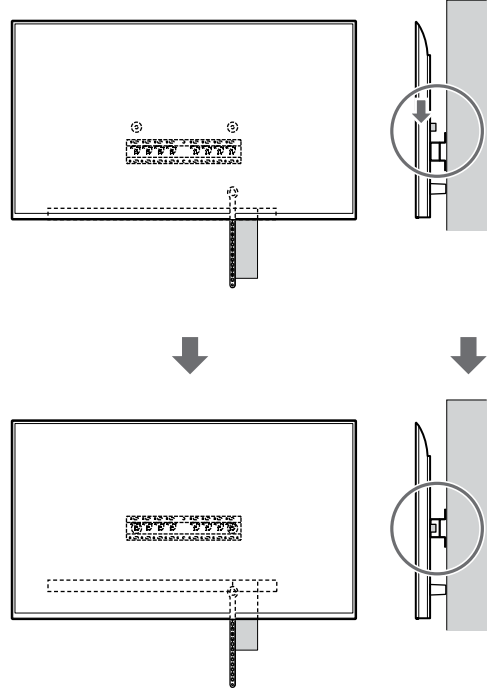
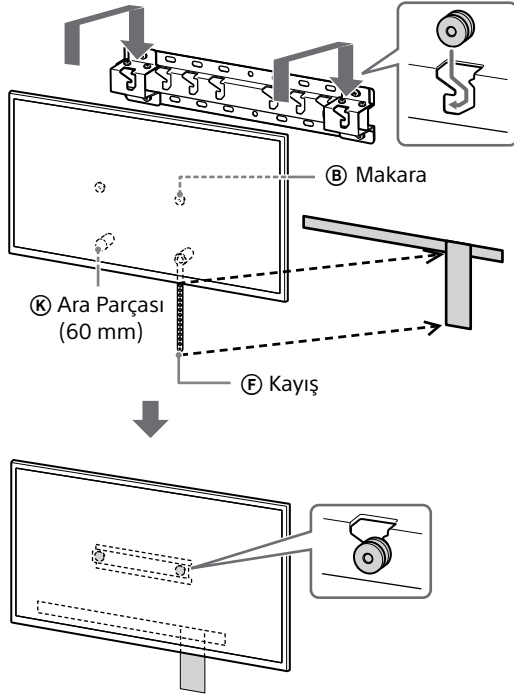
- Televizyonu veya LCD Monitörü duvara monte ederken, özellikle Televizyonu veya LCD Monitörü aşağıdan destekleyen kişi çok dikkatli olmalıdır; çünkü Televizyon veya LCD Monitör düşebilir ve ciddi bedensel yaralanmalara ve hatta ölüme neden olabilir.



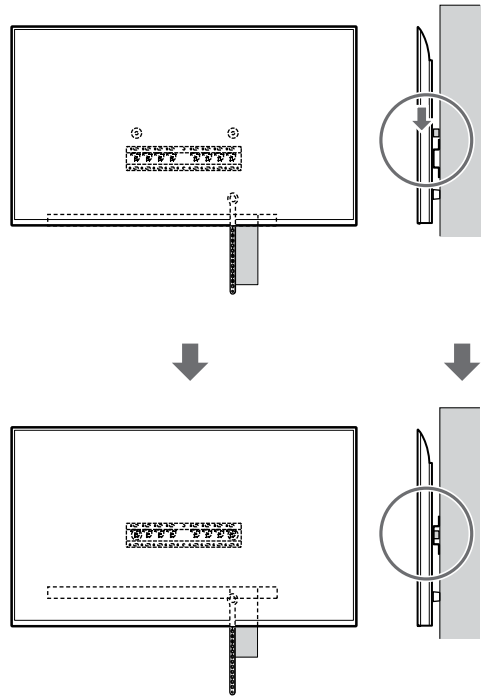
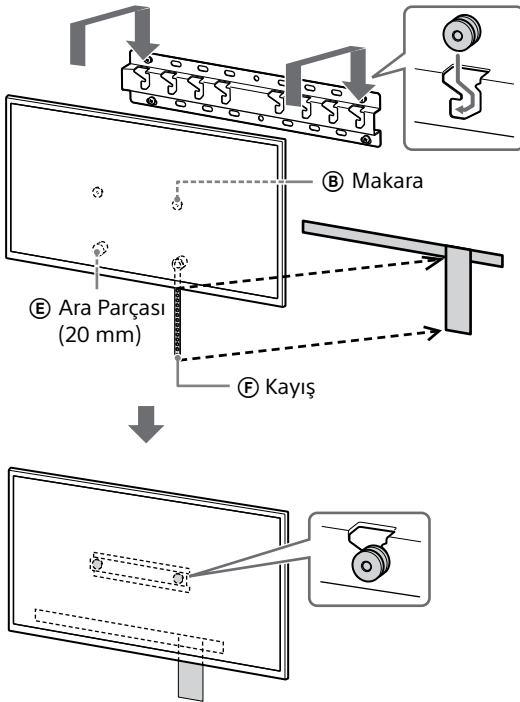
2 Televizyonu veya LCD Monitörü Taban (20) (A) veya Taban Adaptörü (1) üzerine monte edin.

- Televizyonu veya LCD Monitörü yavaşça aşağıya doğru kaydırın ve televizyonun veya LCD Monitörün arkasına takılı Makaraları (B) deliklerin şeklini doğrularak Taban (20) (A) ya da Taban Adaptörüne (1) takın.
- Televizyonu veya LCD Monitörü duvara monte ettikten sonra, Makaraların (B) Tabana (20) (A) veya Taban Adaptörüne (1) sıkı bir şekilde kilitletiğinden emin olun.

Standart montaj (2-a) seçilirse:

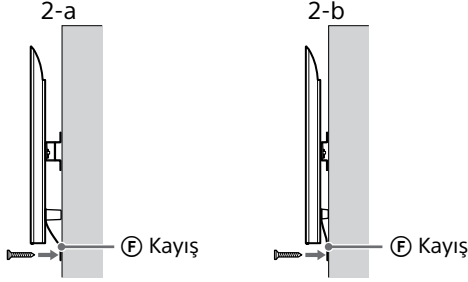


İnce montaj (2-b) seçilirse:



3 Televizyonun veya LCD Monitörün altının kaymasını önleme.

- Kayışın ⑥ gevşek tarafını tutun ve duvara sıkıca takın.



- 5 mm çapında veya eşdeğer vida kullanın (birlikte verilmez).

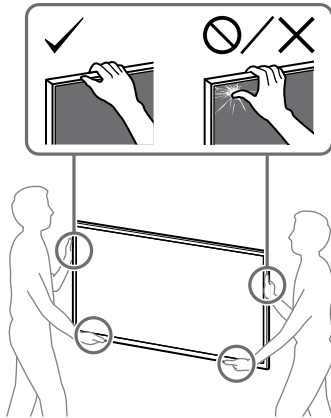
Not

- Televizyonun veya LCD Monitörün altını hafifçe kendinize doğru çekmeyi deneyerek ileri doğru oynamadığından emin olun. Herhangi bir oynama varsa, doğru sabitlenmemiştir ve Kayış ⑥ tekrar sıkıca sabitlenmelidir.

KD-85X8xL / 85X8xBL / 75X8xL / 75X8xBL, KM-85X8xL / 75X8xL, XR-85X9xL / 75X9xL, XRM-85X9xL / 75X9xL hariç

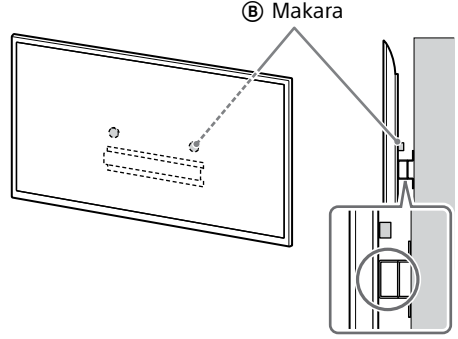
UYARI

- Büyük bir televizyon veya LCD Monitör taşımak için iki veya daha fazla kişi (189,3 cm (75 inç) ve üzeri televizyon veya LCD Monitör için üç veya daha fazla kişi) gereklidir (Mısır hariç). Büyük bir televizyon veya LCD Monitör taşımak için iki veya daha fazla kişi (75 inç (189,3 cm) ve üzeri televizyon veya LCD Monitör için üç veya daha fazla kişi) gereklidir (yalnızca Mısır).



1 Televizyonu veya LCD Monitörü kaldırın.

- Makaraların ②, Taban (20) ① veya Taban Adaptörü ① üzerinde asılacağı konum için 19. sayfadaki "Taban Adaptörünün ① takılacağı konum" bölümüne başvurun.
- Televizyonu veya LCD Monitörü tutarken televizyonun veya LCD Monitörün arka tarafının Taban (20) ① veya Taban Adaptörünün ① arka tarafına değiştiğinden emin olun.

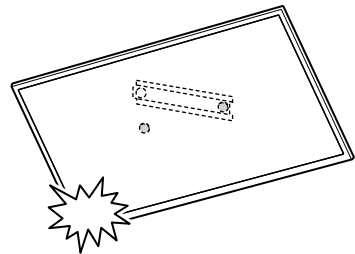


Not

- Televizyonu veya LCD Monitörü iki elinizle sıkı bir şekilde tutun.

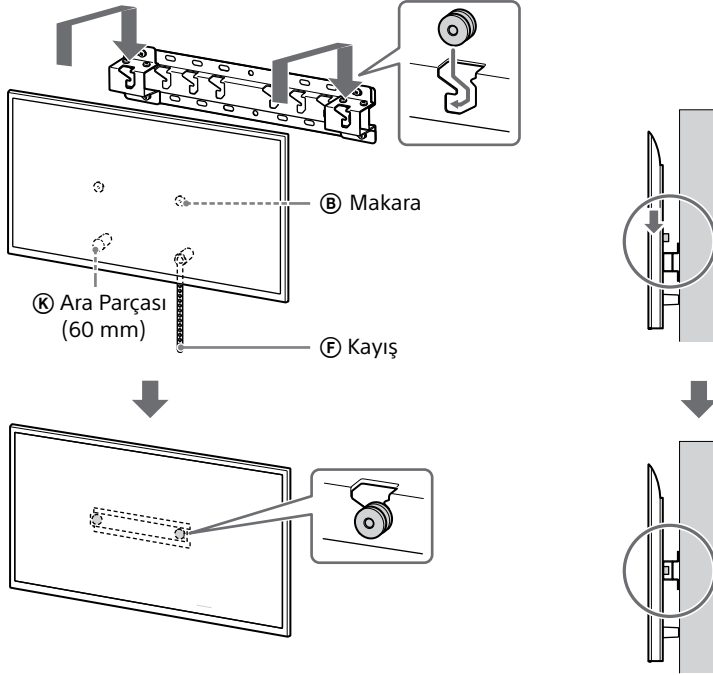
2 Televizyonu veya LCD Monitörü Taban (20) ① veya Taban Adaptörü ① üzerine monte edin.

- Televizyonu veya LCD Monitörü yavaşça aşağıya doğru kaydırın ve televizyonun veya LCD Monitörün arkasına takılı Makaraları ② deliklerin şekli doğrularak Taban (20) ① ya da Taban Adaptörüne ① takın.
- Televizyonu veya LCD Monitörü duvara monte ettikten sonra, Makaraların ② Tabana (20) ① veya Taban Adaptörüne ① sıkı bir şekilde kilitletiğinden emin olun.
- Televizyonun veya LCD Monitörün düşmeyeceğinden emin olmak için her iki elinizi de yavaşça bırakın.

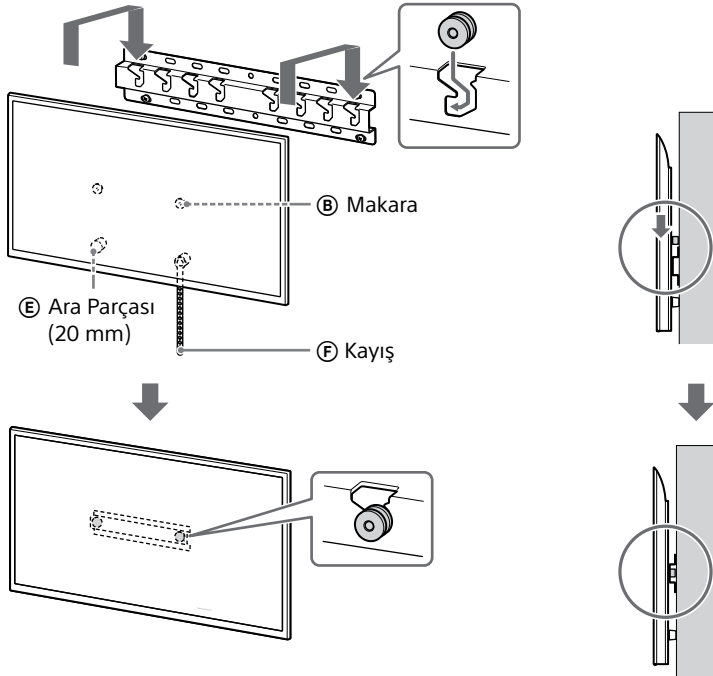


TR

Standart montaj (2-a) seçilirse:

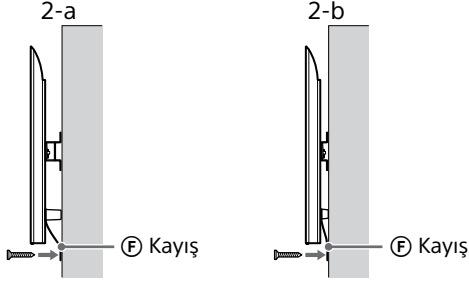


İnce montaj (2-b) seçilirse:



3 Televizyonun veya LCD Monitörün altının kaymasını önleme.

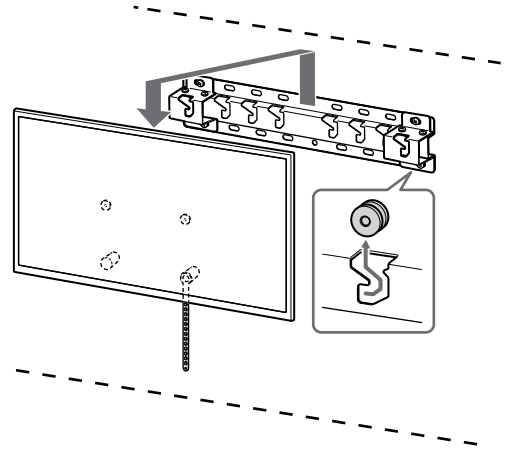
- Kayışın (F) gevşek tarafını tutun ve duvara sıkıca takın.



- 5 mm çapında veya eşdeğer vida kullanın (birlikte verilmez).

Not

- Televizyonun veya LCD Monitörün altını hafifçe kendinize doğru çekmeyi deneyerek ileri doğru oynamadığından emin olun. Herhangi bir oynama varsa, doğru sabitlenmemiştir ve Kayış (F) tekrar sıkıca sabitlenmelidir.



UYARI

- Büyük bir televizyon veya LCD Monitör taşımak için iki veya daha fazla kişi (189,3 cm (75 inç) ve üzeri televizyon veya LCD Monitör için üç veya daha fazla kişi) gereklidir (Mısır hariç). Büyük bir televizyon veya LCD Monitör taşımak için iki veya daha fazla kişi (75 inç (189,3 cm) ve üzeri televizyon veya LCD Monitör için üç veya daha fazla kişi) gereklidir (yalnızca Mısır).

Montajın tamamlandığını onaylama

Aşağıdaki noktaları kontrol edin.

- Makaraların (B) Tabana (20) (A) veya Taban Adaptörüne (1) sıkı bir şekilde asıldığından emin olun.
- Güç kablosu ve kablo bükülü veya sıkıştırılmış olmamalıdır.
- Kayış (F) sıkı olmalı, gevşek olmamalıdır.

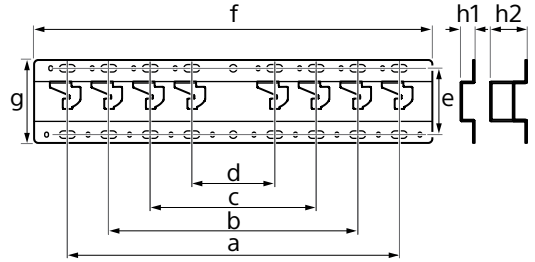
UYARI

- AC güç kablosu vb.'nin yanlış yerleştirilmesi, kısa devreye ve dolayısıyla yangına veya elektrik çarpmasına neden olabilir. Montajın güvenli bir şekilde tamamlandığından emin olun.

Diğer bilgiler

Televizyonu veya LCD Monitörü çıkarırken, önceki kurulum prosedürünü ters yönde izleyin.

Teknik Özellikler



Boyutlar: (Yakl.) [mm]

- a : 400
- b : 300
- c : 200
- d : 100
- e : 80
- f : 480
- g : 100

h1 : 20 (ince montaj için, 2-b)

h2 : 60 (standart montaj için, 2-a)

Ağırlık (yalnızca taban): (Yakl.) [kg]

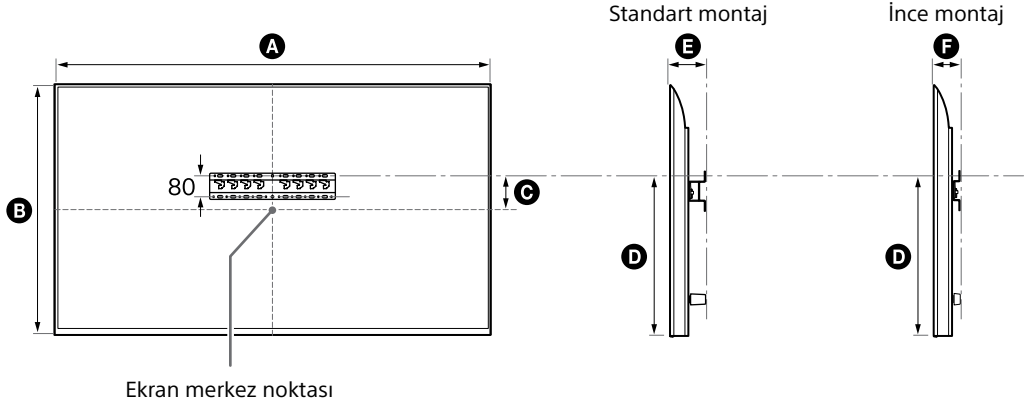
0,8

Tasarım ve teknik özellikler, önceden bildirilmeksizin değişikliğe tabidir.

Referanslar

Duvar Askı Aparatının duvara montajı için ölçüm

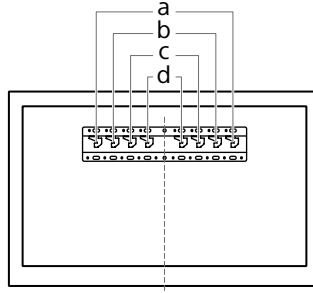
Tablodaki şekiller montaja bağlı olarak biraz değişebilir.



(mm)

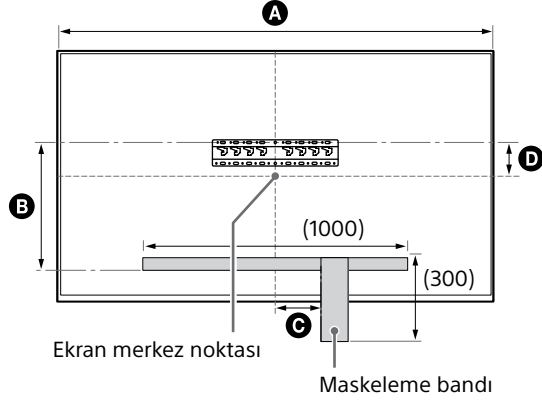
Model adı	A	B	C	D	E	F
KD-85X81BL / 85X80L KM-85X80L	1901	1090	43	592	138	96
XR-85X90L XRM-85X90L	1891	1085	58	607	125	83
KD-75X85L KM-75X85L	1671	960	21	508	123	81
KD-75X81BL / 75X80L KM-75X80L	1675	962	12	493	137	95
XR-75X90L XRM-75X90L	1668	959	21	508	123	81
KD-65X85L / 65X85BL KM-65X85L	1447	832	85	505	123	81
KD-65X81BL / 65X80L KM-65X80L	1452	836	76	494	135	93
XR-65X90L XRM-65X90L	1445	831	85	505	123	81
KD-55X85L KM-55X85L	1228	709	146	505	122	81
KD-55X81BL / 55X80L KM-55X80L	1233	713	133	494	135	93
XR-55X90L XRM-55X90L	1225	707	146	505	122	81
KD-50X80L KM-50X80L	1119	649	63	392	133	91
KD-43X80L KM-43X80L	964	563	111	392	133	91

Taban Adaptörünün ① takılacağı konum



Model adı	Kanca konumu	Model adı	Kanca konumu
KD-85X81BL / 85X80L KM-85X80L XR-85X90L XRM-85X90L	a	KD-55X85L / 55X81BL / 55X80L KM-55X85L / 55X80L XR-55X90L XRM-55X90L	b
KD-75X85L / 75X81BL / 75X80L KM-75X85L / 75X80L XR-75X90L XRM-75X90L	b	KD-50X80L KM-50X80L	c
KD-65X85L / 65X85BL / 65X81BL / 65X80L KM-65X85L / 65X80L XR-65X90L XRM-65X90L	b	KD-43X80L KM-43X80L	c

Televizyon veya LCD Monitör montaj konumu için duvar işaretlemesi



(mm)

Model adı	A	B	C	D
KD-85X81BL / 85X80L KM-85X80L	1901	472	200	43
XR-85X90L XRM-85X90L	1891	486	200	58
KD-75X85L KM-75X85L	1671	388	150	21
KD-75X81BL / 75X80L KM-75X80L	1675	373	150	12
XR-75X90L XRM-75X90L	1668	388	150	21

Szerelési információk a Sony fali konzol (SU-WL450) használatához

Támogatott modellek*:

* Az adott típusnévben szereplő „x”/„xx” a típusra jellemző számokat és/vagy karaktereket jelöli.

KD-85X8xL / 85X8xBL / 75X8xL / 75X8xBL / 65X8xL / 65X8xBL / 55X8xL / 55X8xBL / 50X8xL / 43X8xL

KM-85X8xL / 75X8xL / 65X8xL / 55X8xL / 50X8xL / 43X8xL

XR-85X9xL / 75X9xL / 65X9xL / 55X9xL

XRM-85X9xL / 75X9xL / 65X9xL / 55X9xL

Vásárlóink figyelmébe

Termék- és balesetbiztonsági okokból a Sony azt tanácsolja, hogy a TV vagy LCD monitor üzembe helyezését Sony viszonteladó vagy alvállalkozó hajtsa végre. Ne kísérelje meg a termék önálló felszerelését.

Sony viszonteladók és alvállalkozók figyelmébe

A termék üzembe helyezésekor, rendszeres karbantartásakor és vizsgálatakor maradéktalanul tartson be minden biztonsági óvintézkedést.

A készülék felszerelése megfelelő szaktudást igényel, különösen a tv-készülék súlyát tartó fal teherbírásának megállapítását illetően. A TV vagy LCD monitor falra rögzítését mindig bízza Sony viszonteladóra vagy alvállalkozóra, és szereléskor ügyeljen a biztonságra. A Sony nem vállal felelősséget a gondatlan vagy szakszerűtlen szerelésből eredő személyi sérülésekért vagy anyagi károkért.

A biztonság és a megfelelő felszerelés érdekében kövesse a fali konzol kezelési útmutatóját, a TV vagy LCD monitor beállítási útmutatóját és a jelen kézikönyv utasításait.

Fali konzol

Biztonság

Köszönjük, hogy ezt a készüléket vásárolta meg.

Vásárlóink figyelmébe

A TV vagy LCD monitor felszerelése a falra



FIGYELMEZTETÉS

PROFESSZIONÁLIS SZERELÉS SZÜKSÉGES

A tartót csak professzionális szerelő szerelheti fel, aki képes annak eldöntésére, hogy a fal teherbírása megfelelő-e a TV vagy LCD monitor súlyának megtartásához. Ha a tartó rögzítése nem megfelelő, akkor a TV vagy LCD monitor leeshet és súlyos sérülést okozhat. A Sony nem tehető felelőssé a helytelen kezelés, nem megfelelő felszerelés, vagy a megadott terméktől eltérő termék felszerelése miatti anyagi károkért vagy személyi sérülésekért. Az Ön törvényes jogait (ha vannak) ez nem érinti.

Sony viszonteladók számára

A termék felszereléséhez megfelelő tapasztalat szükséges. A biztonságos munkavégzés érdekében alaposan olvassa el ezt a használati útmutatót. A Sony nem tehető felelőssé a helytelen kezelés és szerelés miatt bekövetkezett semmilyen kárért vagy sérülésért. Kérjük, a szerelés befejezése után ezt az útmutatót adja át a fogyasztónak.

Ez a használati útmutató a termék helyes kezelését, illetve a fontos balesetvédelmi intézkedéseket mutatja be. Kérjük, hogy olvassa el és értse meg a használati útmutatót, valamint tartsa be az összes benne szereplő utasítást. Ennek elmulasztása súlyos személyi sérülést és anyagi kárt okozhat, és a jótállást is semmissé teheti. A későbbi használat céljára őrizze meg ezt az útmutatót.

A Sony termékeinek tervezése a biztonság szem előtt tartásával történik. A termékek helytelen használata azonban súlyos égési sérülést, áramütést okozhat, a termék feldőlhet vagy leeshet. Az ilyen balesetek elkerülése érdekében tartsa be a biztonsági előírásokat.

VIGYÁZAT

Meghatározott termékek

Ez a fali konzol a megadott TV-khez vagy LCD monitorokhoz használható. TV-k vagy LCD monitorok esetében a használható fali konzol típusát a készülék Felhasználói útmutatója tartalmazza.

Vásárlóink figyelmébe

FIGYELMEZTETÉS

A következő biztonsági előírások be nem tartása súlyos égési sérülést, halált, áramütést okozhat, a termék pedig leeshet.

A szerelést erre felhatalmazott vállalkozó végezze, és a gyerekeket tartsa távol a szerelés helyszínétől.

A fali konzol vagy a TV vagy LCD monitor helytelen felszerelése esetén a következő balesetek következhetnek be. A szerelést felhatalmazott vállalkozónak kell végeznie.

- A TV vagy LCD monitor leeshet, és súlyos sérülést, zúzódást vagy törést okozhat.
- Ha a fal, amelyre a fali konzolt felszerelik, nem stabil, egyenetlen, vagy nem merőleges a padlózatra, akkor a készülék leeshet, és személyi sérülést vagy anyagi kárt okozhat. A falnak legalább a TV vagy LCD monitor súlyának négyszeresét kell elbírnia.
(A TV vagy LCD monitor súlyát lásd a készülék Felhasználói útmutatójában.)
- Ha a fali konzol felerősítése nem eléggé erős, akkor a készülék leeshet, és személyi sérülést vagy anyagi kárt okozhat.

A TV vagy LCD monitor szállítását és levételét erre felhatalmazott vállalkozó végezze.

Ha a TV vagy LCD monitor szállítását vagy levételét nem felhatalmazott vállalkozó végzi, a készülék leeshet, és személyi sérülést vagy anyagi kárt okozhat. Két vagy több személyre (189,3 cm (75 hüvelyk) vagy ennél nagyobb TV vagy LCD monitor esetén három vagy több személyre) van szükség egy nagyméretű TV vagy LCD monitor szállításához (kivéve Egyiptom). Két vagy több személyre (75 hüvelyk (189,3 cm) vagy ennél nagyobb TV vagy LCD monitor esetén három vagy több személyre) van szükség egy nagyméretű TV vagy LCD monitor szállításához (csak Egyiptom).

A TV vagy LCD monitor felerősítése után ne távolítsa el a csavarokat stb.

Ellenkező esetben a TV vagy LCD monitor leeshet, és személyi sérülést vagy anyagi kárt okozhat.

A fali konzolt ne szerelje szét, és az alkatrészeit ne változtassa meg.

Ekkor a fali konzol leeshet, és személyi sérülést vagy anyagi kárt okozhat.

A fali konzolra csak a megadott készüléket erősítse fel.

Ez a fali konzol csak a megadott készülékekhez használható. Más készülék felerősítése esetén a készülék leeshet, eltörhet, és személyi sérülést vagy anyagi kárt okozhat.

A fali konzolra csak a TV-t vagy LCD monitort erősítse fel. Ne rázza a TV-t vagy LCD monitort jobbra/balra, felfelé/lefelé.

Ellenkező esetben a TV vagy LCD monitor leeshet, és személyi sérülést vagy anyagi kárt okozhat.

Ne támaszkodjon a TV-re vagy LCD monitorra, és ne kapaszkodjon bele.

Ne támaszkodjon a TV-re vagy LCD monitorra, és ne kapaszkodjon bele, mert az Önre eshet, és súlyos sérülést okozhat.

VIGYÁZAT

Az alábbi biztonsági előírások be nem tartása személyi sérülést vagy anyagi kárt okozhat.

- A nem használt alkatrészeket őrizze meg a későbbi felhasználás céljára.
Tartsa őket gyerekek elől elzárva.

A készülék tisztítása vagy karbantartása során ne alkalmazzon túl nagy erőt.

Ne nyomja meg nagy erővel a TV vagy LCD monitor felső részét. Ellenkező esetben a TV vagy LCD monitor leeshet, és személyi sérülést vagy anyagi kárt okozhat.

Biztonsági előírások

- Ha a fali konzolra erősített TV-t vagy LCD monitort hosszú ideig használja, akkor a fal anyagától függően a TV vagy LCD monitor mögött vagy felett elszíneződhet a falfeület, a tapéta leválhat.
- Ha a fali konzolt leszereli, a csavarfuratok megmaradnak.
- Ne használja a fali konzolt olyan helyen, ahol mechanikai rezgésnek lehet kitéve.

A fali konzol felszerelése

Sony vizonteladók számára

FIGYELMEZTETÉS

A következő útmutatások csak a Sony vizonteladók számára szólnak. Feltétlenül olvassa el a fenti biztonsági előírásokat, és a készülék felszerelése, karbantartása és ellenőrzése során fokozottan ügyeljen a biztonságra.

A fali konzolt ne szerelje fel olyan helyen, ahol a TV vagy LCD monitor sarkai vagy oldalai kilóghatnak a fal síkjából.

A fali konzolt ne szerelje fel olyan falfelületre, például oszlopra, ahol a TV vagy LCD monitor sarkai vagy oldalai kilóghatnak a fal síkjából. Ha egy személy vagy tárgy a TV vagy LCD monitor kiálló sarkába vagy oldalába ütközik, az személyi sérülést vagy anyagi kárt okozhat.

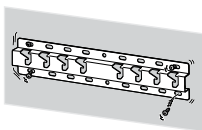


A TV-t vagy LCD monitort ne szerelje légkondicionáló alá vagy fölé.

Ha a TV-t vagy LCD monitort a légkondicionálóból csepegő víz éri vagy hosszú ideig ki van téve a légkondicionáló levegőáramának, az tüzet ill. áramütést okozhat, vagy a TV vagy LCD monitor meghibásodását okozhatja.

Ügyeljen a fali konzol ennek a használati útmutatónak megfelelő, biztonságos falra rögzítésére.

Ha bármelyik csavar laza, vagy kiesik, akkor a fali konzol leeshet, és személyi sérülést vagy anyagi kárt okozhat. A fal anyagának megfelelő csavart használja, és az egységet négy vagy több 8 mm átmérőjű (vagy azzal egyenértékű) csavarral biztonságosan rögzítse a falra.



A mellékelt csavarokat és csatlakozóelemeket használja, és tartsa be a használati útmutató utasításait. Ha más alkatrészeket használ, akkor a TV vagy LCD monitor leeshet, és személyi sérülést okozhat, vagy a TV vagy LCD monitor megsérülhet.

A fali konzolt a használati útmutató utasításainak szigorú betartásával, helyesen szerelje össze.

Ha valamelyik csavar laza, vagy kiesik, akkor a TV vagy LCD monitor leeshet, és személyi sérülést okozhat, vagy megsérülhet a TV vagy LCD monitor.

A megfelelő pozícióban erősen húzza meg a csavarokat.

Ennek elmulasztása esetén a TV vagy LCD monitor leeshet, és személyi sérülést okozhat, vagy megsérülhet a TV vagy LCD monitor.

Ügyeljen arra, hogy felszerelés közben ne érje ütés a TV-t vagy LCD monitort.

Ha a TV-t vagy LCD monitort ütés éri, akkor leeshet vagy eltörhet. Ez személyi sérülést okozhat.

A TV-t vagy LCD monitort olyan sík falra szerelje fel, amely merőleges a padlózatra.

Ellenkező esetben a TV vagy LCD monitor leeshet, és személyi sérülést okozhat.

A TV vagy LCD monitor helyes felerősítése után megfelelően rögzítse a kábeleket.

Ha a kábelek emberbe vagy tárgyakra gabalyodnak, az személyi sérülést okozhat, és a TV vagy LCD monitor megrongálódhat.

Ügyeljen arra, hogy a hálózati kábel vagy a csatlakozókábelek ne csipődjenek be.

Ha a hálózati kábel vagy az összekötő kábelek a készülék és a fal közé csipődnek, illetve erőszakosan meghajlítják vagy megcsavarják őket, akkor a belső vezetékek szabadabbá válhatnak, és rövidzárlat vagy szakadás következhet be. Ez tüzet vagy áramütést okozhat.



A fali konzol falra erősítéséhez szükséges csavarok nincsenek mellékelve.

A fali konzol falra erősítéséhez használja a fal anyagának és szerkezetének megfelelő csavarokat.

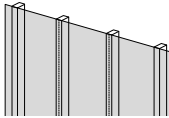
A felszerelés megkezdése előtt

- A jelen útmutatóban foglalt, TV-t vagy LCD-monitorot ábrázoló ábrák például szolgálnak, hogy egyértelmű magyarázatot nyújtsanak a műveletekről. Ezért előfordulhat, hogy az ábrák nem egyeznek az Ön TV-jével vagy LCD-monitorával.

Mi a fal anyaga?

Először is ellenőrizze a fal típusát, amelyre fel szeretné szerelni a TV-t vagy LCD monitor.

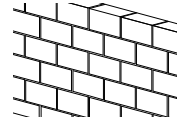
Gipszkarton, oszlopfákkal



Biztonsági előírások

- Gipszkarton fal maximális vastagsága: 16 mm.
- Ellenőrizze, hogy a belső oszlopfa mérete legalább általánosan 51 mm × 102 mm, vagy névlegesen 38 mm × 89 mm legyen.

Tömör beton, vagy betonelem



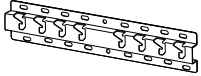








Biztonsági előírások

- A fali konzolt közvetlenül a tömör betonfalra erősítse.
- Ellenőrizze, hogy a tömör betonfal vastagsága legalább 203 mm legyen.
- Ellenőrizze, hogy minden egyes betonelem mérete legalább 203 mm × 203 mm × 406 mm legyen.




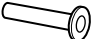

Az alkatrészek ellenőrzése

A SU-WL450 modellhez mellékelve


- Ellenőrizze, hogy minden alkatrész megtalálható-e.

<p>Ⓐ Alap (20) (x1)</p> 	<p>Ⓑ Tárcsa (x2)</p> 	<p>Ⓒ Csavar (+PSW 6 x 20) (x4)</p> 	<p>Ⓔ Távtartó (20 mm) (x2)</p> 
<p>Ⓕ Pánt (x1)</p> 	<p>Ⓘ Alap illesztőkeret (x2)</p> 	<p>Ⓙ Csavar (+PSW 4 x 10) (x8)</p> 	<p>Ⓚ Távtartó (60 mm) (x2)</p> 
<p>Ⓛ Csavar (+PSW 6 x 50) (x2)</p> 			

- Előfordulhat, hogy ezek az alkatrészek nem használhatók az Ön készülékéhez.

<p>Ⓓ Csavar (+PSW 4 x 20) hüvellyel (x2)</p> 	<p>Ⓔ Hüvely (20) (M4) (x2)</p> 	<p>Ⓗ Csavar (+PSW 4 x 20) (x2)</p> 	<p>Ⓜ Hüvely (M4) (x2)</p> 
<p>Ⓝ Csavar (+PSW 4 x 50) (x2)</p> 			



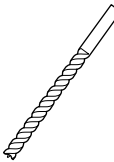
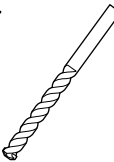
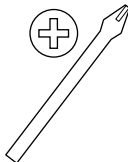
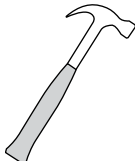
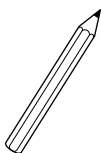
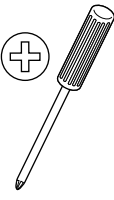
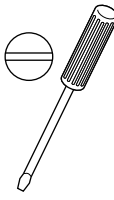
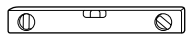




A TV-hez vagy LCD monitorhoz mellékelve

<p>Fali konzol toldaléka VS (x4)*</p> 

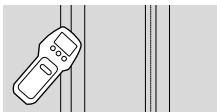
- * Csak egyes régiók/országok/típus esetén.

A felszerelés előkészületei

- A felszerelés előtt készítse elő a TV vagy LCD monitor Felhasználói útmutatóját és Beállítási útmutatóját.
- Döntse el, hol helyezkedjen el a TV vagy LCD monitor.
- Készítsen elő négy vagy több 8 mm átmérőjű, és egy 5 mm átmérőjű vagy annak megfelelő csavart (nincs mellékelve). A fal anyagának megfelelő csavarokat válasszon.
- Készítse elő az alábbi szerszámokat:

*1 		 5,5 mm	 10 mm	
*2 		 1,5 N·m {15 kgf·cm}	*3  1,5 N·m {15 kgf·cm}	
	*2  (x4)	 (x4) 8 mm × 60 mm	 5 mm	
*4 				

*1 Csak gipszkarton fal esetén, oszlopfákkal



*2 Csak tömör beton, vagy betonelemekből álló fal esetén

*3 Típustól függően

*4 Csak 189,3 cm (75 hüvelyk) méretű és annál nagyobb TV-khez vagy LCD monitorokhoz (kivéve Egyiptom)
Csak 75 hüvelyk (189,3 cm) méretű és annál nagyobb TV-khez vagy LCD monitorokhoz (csak Egyiptom)

A fali konzol falra szerelése

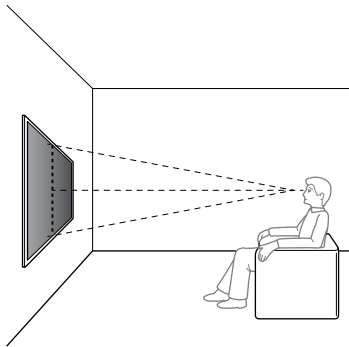
1 Határozza meg a felszerelés helyét.

Győződjön meg arról, hogy a falon elegendő hely van a TV-nek vagy LCD monitornak, illetve hogy a fal legalább a TV vagy LCD monitor súlyának négyszeresét képes megtartani.

A TV vagy LCD monitor súlyát lásd a TV vagy LCD monitor Felhasználói útmutatójában.

Megjegyzés

- Ha a TV-t vagy LCD monitort falra szereli, a TV vagy LCD monitor felső oldala enyhén előre dől.
- Javasoljuk, hogy arról a helyről ellenőrizze a TV vagy LCD monitor helyzetét, ahonnan nézni fogják.



2 Válassza ki a falra való felszerelés stílusát az alábbiak szerint.

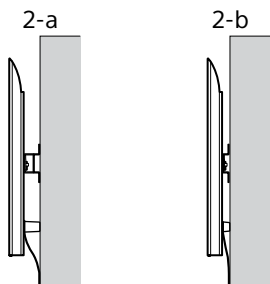
2-a: Normál rögzítés

2-b: Falhoz közeli rögzítés

- Lásd az 18. oldalon található „Mérés a fali konzol falra szereléséhez” részt.

FIGYELMEZTETÉS

- A 2-b lehetőség választása esetén a hátsó csatlakozókhöz való hozzáférés korlátozott.

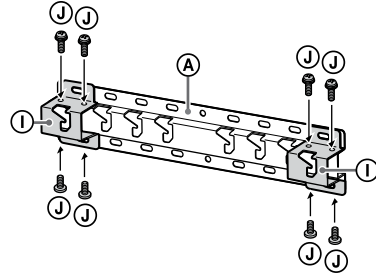


3 Normál rögzítés (2-a)

kiválasztása esetén:

Illessze fel az alap illesztőkeretet ① a csavar (+PSW 4 × 10) ② használatával az alapra (20) ③.

- Lásd az 19. oldalon található „Alap illesztőkeret ① rögzítésének helye” részt.



Pl., alap illesztőkeret ① felhelyezése „a” helyre

Falhoz közeli rögzítés (2-b)

kiválasztása esetén:

Ugorja át ezt a lépést.

4 Határozza meg a csavarok helyét az alap (20) ③ felszereléséhez.

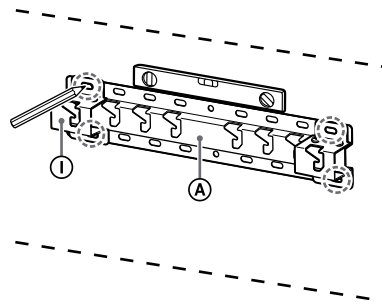
- Lásd az 17. oldalon található „Műszaki adatok” részt.

FIGYELMEZTETÉS

- Derítse ki, mekkora a teherbírása a falnak, amelyre a TV-t vagy LCD monitort szerelni kívánja. Szükség esetén megfelelően erősítse meg a falat.
- A TV-t vagy LCD monitort tartó fal teherbírásának akkorának kell lennie, hogy legalább a TV vagy LCD monitor tömegének **négyszeresét** elbírja. (A TV vagy LCD monitor súlyát lásd a készülék Felhasználói útmutatójában.)

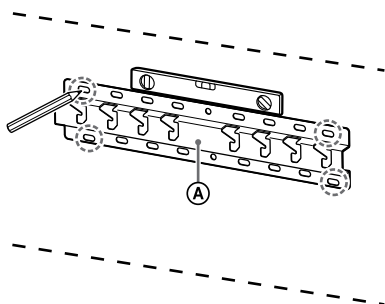
Normál rögzítés (2-a) kiválasztása esetén:

Használja az alap illesztőkeret ① furatainak pozícióit.



Pl., „a” hely megjelölése az alaphoz (20) ③ illesztéshez

Falhoz közeli rögzítés (2-b) kiválasztása esetén:

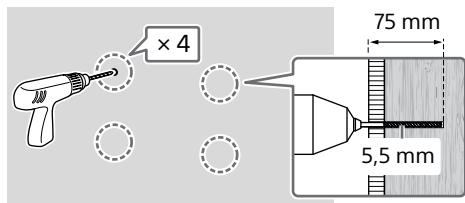


Pl., „a” hely megjelölése az alaphoz (20) A illesztéshez

5 A megjelölt pontokon készítsen előfuratokat.

Győződjön meg arról, hogy a furatok helye a falon elég erős ahhoz, hogy megtartsa a TV vagy LCD monitor súlyának legalább négyeszeresét.

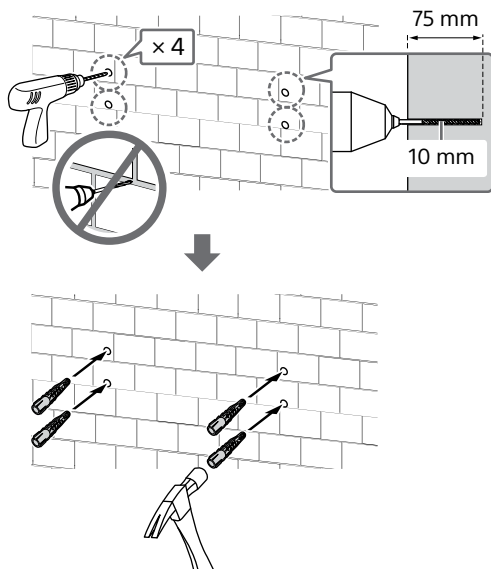
Felfúrás gipszkartonra oszlopfákkal:



Megjegyzés

- A vezetőfuratok mélysége 75 mm, a fúrószerű átmérője 5,5 mm legyen.

Felfúrás tömör betonra, vagy betonelemekből álló falra:



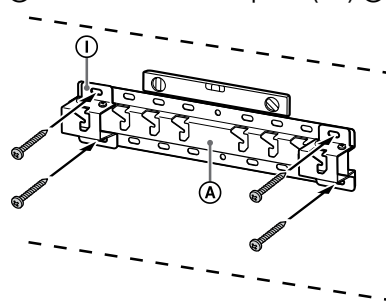
6 A megfelelő méretű csavarokkal (nincs mellékelve) rögzítse a falra az alapot (20) A.

Megjegyzés

- Használjon négy vagy több 8 mm átmérőjű vagy annak megfelelő csavart (nincs mellékelve).
- Vízmértékkel ellenőrizze az alap (20) A vízszintes helyzetét.

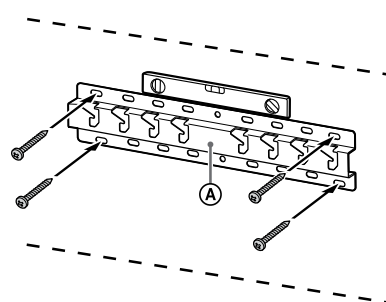
Normál rögzítés (2-a) kiválasztása esetén:

Illesszen négy csavart az alap illesztőkeret ① furataihoz és az alaphoz (20) A.



Pl., alap (20) A illesztése „a” helyre

Falhoz közeli rögzítés (2-b) kiválasztása esetén:



Pl., alap (20) A illesztése „a” helyre

7 Csak a KD-85X8xL / 85X8xBL / 75X8xL / 75X8xBL, KM-85X8xL / 75X8xL, XR-85X9xL / 75X9xL, XRM-85X9xL / 75X9xL esetén A felszerelés tervezett helyét jelölje meg a falon.

Használjon maszkolószalagot, vagy egyéb eszközt (nincs mellékelve) ahhoz, hogy a TV vagy LCD monitor helyét bejelölje az alap (20) A vagy az alap illesztőkeret ① közelében.

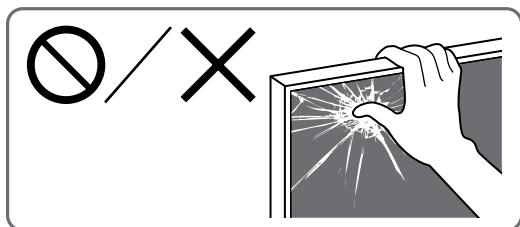
- Lásd az 20. oldalon található „Fal megjelölése a TV vagy LCD-monitor felszerelési helyéhez” részt.

Kivéve a KD-85X8xL / 85X8xBL / 75X8xL / 75X8xBL, KM-85X8xL / 75X8xL, XR-85X9xL / 75X9xL, XRM-85X9xL / 75X9xL modellt
Ugorja át ezt a lépést.

A TV vagy LCD monitor felszerelésének előkészítése

Megjegyzés

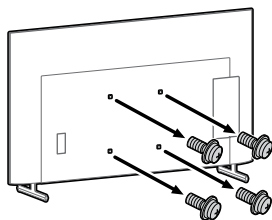
- Ügyeljen arra, hogy az eltávolított csavarokat és használaton kívüli részeket biztos helyen, gyermekek elől elzárva tárolja.



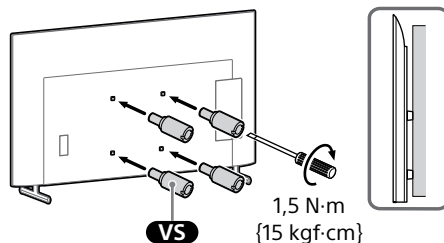
1 Csatlakoztassa az asztali állványt a TV vagy LCD-monitor felállításához.

- Olvassa el TV-je vagy LCD-monitorja Beállítási útmutatóját.

2 Távolítsa el a csavarokat a TV vagy LCD monitor hátuljáról.



3 Csatlakoztassa a fali konzol toldalékát **VS** (mellékelve a TV-hez vagy LCD monitorhoz) a TV vagy LCD monitor hátához (annak érdekében, hogy az párhuzamos legyen a fallal).



Megjegyzés

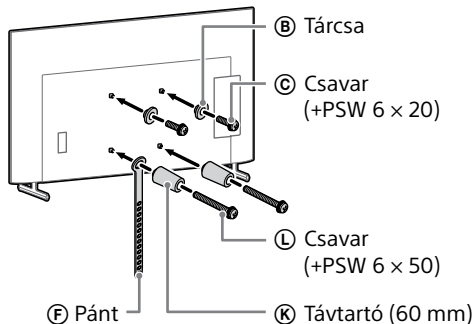
- Feltétlenül húzza meg a fali konzol toldalékát **VS**, amikor azt a TV-hez vagy LCD-monitorhoz csatlakoztatja.
Csak lapos fejű csavarhúzóval használjon a fali konzol toldalékának **VS** felszereléséhez. Ha más szerszámot használ, azzal túlságosan meghúzhatja a fali konzol toldalékát **VS**, illetve kárt okozhat a TV-ben vagy LCD-monitorban.

4 Csatlakoztassa a fali konzol csatlakozóelemeit. Ellenőrizze a csatlakozóelemeket a 6. oldalon található „Az alkatrészek ellenőrzése” rész „A SU-WL450 modellhez mellékelve” szakaszának megtekintésével.

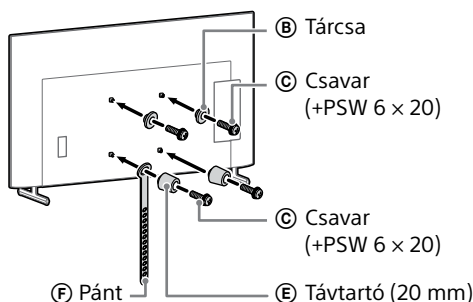
Megjegyzés

- A csavarok használatával szorosan rögzítse a csatlakozóelemeket.
- Elektromos csavarbehajtó használata esetén kb. 1,5 N·m {15 kgf·cm} meghúzási nyomatékot kell beállítani.

Normál rögzítés (2-a) kiválasztása esetén:



Falhoz közeli rögzítés (2-b) kiválasztása esetén:



5 Csatlakoztassa a szükséges kábel(eke)t a TV-hez vagy LCD monitorhoz.

Mindenképpen csatlakoztassa a kábeleket, mielőtt felszereli a TV-t vagy LCD monitort a falra. A TV vagy LCD monitor felszerelése után már nem tudja csatlakoztatni a kábeleket.

Megjegyzés

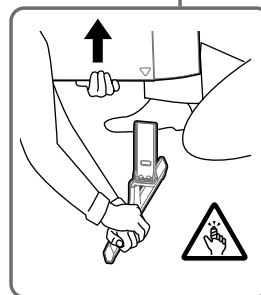
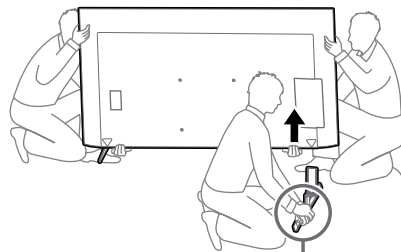
- A kábelek falban való elvezetését bízva jóváhagyással rendelkező alvállalkozóra.
- Kötegelje a csatlakozókábeleket annak érdekében, hogy ne lépjen rájuk a falra történő felszerelés előtt.

6 Válassza le az asztali állványt a TV-ről vagy LCD monitorról.

Az alábbi ábra a működésre mutat egy példát.

Kivéve a KD-75X85L / 65X85L / 65X85BL / 55X85L, KM-75X85L / 65X85L / 55X85L, XR-85X90L / 75X90L / 65X90L / 55X90L, XRM-85X90L / 75X90L / 65X90L / 55X90L modellt

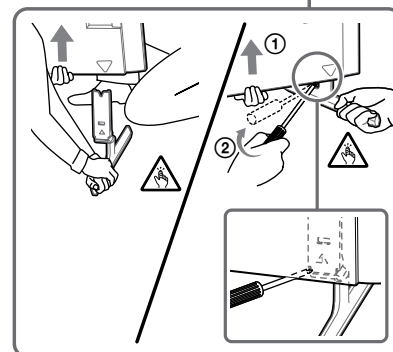
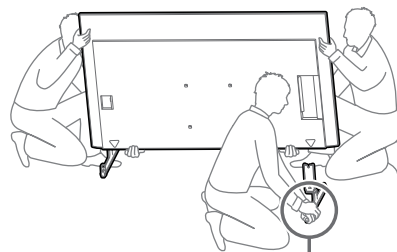
- Egyszerre csak az asztali állvány egyik oldalát távolítsa el. Fogja meg erősen és tartsa meg biztonságosan az asztali állványt mindkét kezével, miközben a többiek felemelik a TV-t vagy LCD monitort.



- Ismétlje meg az előző lépést, és távolítsa el az asztali állvány másik oldalát.

Csak a KD-75X85L / 65X85L / 65X85BL / 55X85L, KM-75X85L / 65X85L / 55X85L esetén

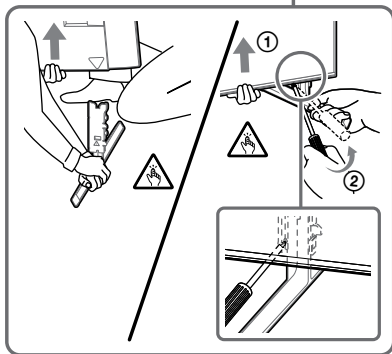
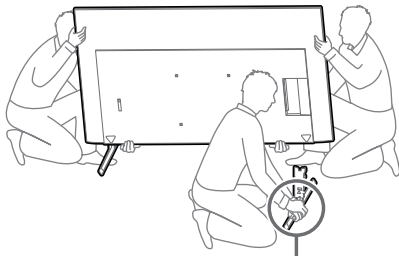
- Egyszerre csak az asztali állvány egyik oldalát távolítsa el. Fogja meg erősen és tartsa meg biztonságosan az asztali állványt mindkét kezével, miközben a többiek felemelik a TV-t vagy LCD monitort.



- Ismétlje meg az előző lépést, és távolítsa el az asztali állvány másik oldalát.

Csak a XR-85X90L / 75X90L / 65X90L / 55X90L, XRM-85X90L / 75X90L / 65X90L / 55X90L esetén

- Egyszerre csak az asztali állvány egyik oldalát távolítsa el. Fogja meg erősen és tartsa meg biztonságosan az asztali állványt mindkét kezével, miközben a többiek felemelik a TV-t vagy LCD monitort.



- Ismétlje meg az előző lépést, és távolítsa el az asztali állvány másik oldalát.

Megjegyzés

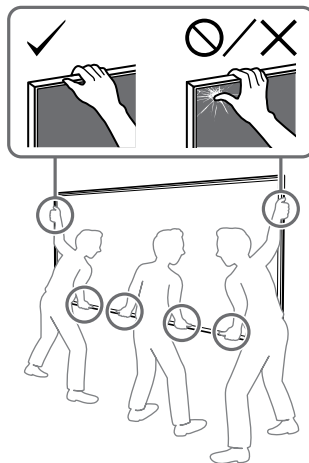
- Az asztali állvány leválasztásához három vagy több személy szükséges.
- Ügyeljen arra, hogy az asztali állvány TV-ről vagy LCD monitorról történő leválasztásakor ne alkalmazzon túl nagy erőt, mert az a TV vagy LCD monitor leeséséhez vezethet, ami személyi sérülést vagy a TV vagy LCD monitor fizikai károsodását eredményezheti.
- Az asztali állvány kezelésekor legyen óvatos annak érdekében, hogy elkerülje a TV vagy LCD monitor sérülését.
- A TV vagy LCD monitor megemlésekor legyen óvatos, mivel az asztali állvány leválasztása után az asztali állvány felborulhat és személyi sérülést okozhat.
- Legyen óvatos, amikor az asztali állványt leválasztja a TV-ről vagy LCD monitorról, nehogy az felboruljon és kárt tegyen abban a felületben, amin a TV vagy LCD monitor áll.

A TV vagy LCD monitor felszerelése a falra

Csak a KD-85X8xL / 85X8xBL / 75X8xL / 75X8xBL, KM-85X8xL / 75X8xL, XR-85X9xL / 75X9xL, XRM-85X9xL / 75X9xL esetén

FIGYELMEZTETÉS

- Két vagy több személyre (189,3 cm (75 hüvelyk) vagy ennél nagyobb TV vagy LCD monitor esetén három vagy több személyre) van szükség egy nagyméretű TV vagy LCD monitor szállításához (kivéve Egyiptom). Két vagy több személyre (75 hüvelyk (189,3 cm) vagy ennél nagyobb TV vagy LCD monitor esetén három vagy több személyre) van szükség egy nagyméretű TV vagy LCD monitor szállításához (csak Egyiptom).



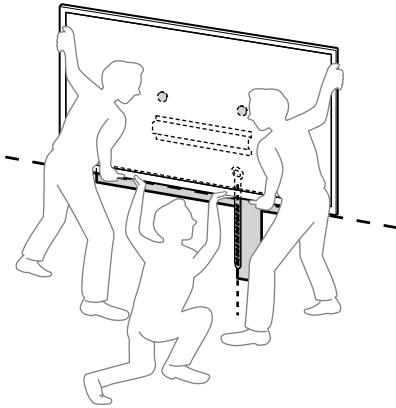
1 Emelje meg a TV-t vagy LCD monitort.

- Az alap (20) (A) vagy alap illesztőkeret (1) felfüggesztésére szolgáló tárcsák (B) elhelyezéséhez lásd a 19. oldalon található „Alap illesztőkeret (1) rögzítésének helye” részt.
- Győződjön meg róla, hogy a TV vagy LCD monitor hátsó része hozzáért az alaphoz (20) (A) vagy az alap illesztőkerethez (1), amikor a TV-t vagy LCD monitort tartja.

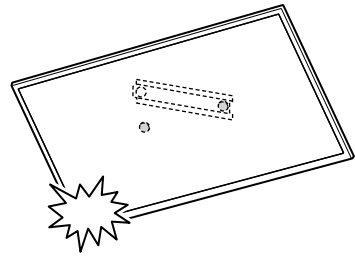
Megjegyzés

- Tartsa mindkét kézzel biztosan a TV-t vagy LCD monitort és győződjön meg róla, hogy a pánt (E) és a TV vagy LCD monitor alsó része egy vonalban vannak a maszkolószalaggal.

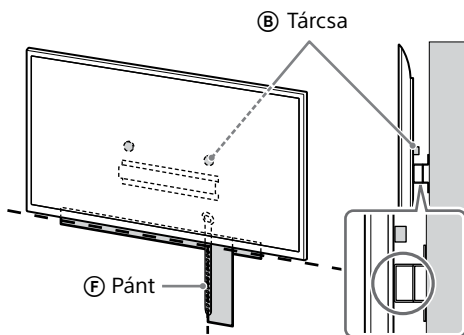
- A TV-t vagy LCD monitort három ember szállítsa és a TV-vel vagy LCD monitorral szemben álló személy irányítsa a többieket a pozíció beállításában.



- Óvatosan engedje el mindkét kézzel, ügyelve arra, hogy a TV vagy LCD monitor nem esik le.



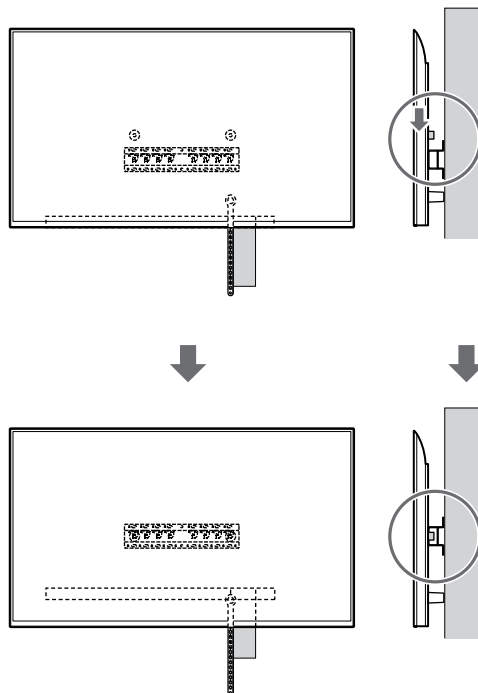
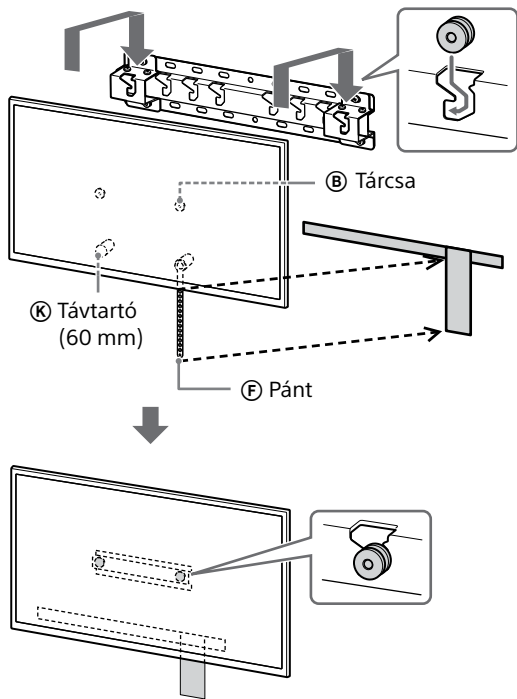
- Kiemelt óvatosságra van szükség a TV vagy LCD-monitor felszerelése közben, különösen annak a személynek a részéről, aki alulról támasztja meg a TV-t vagy LCD-monitort, mert a TV vagy LCD-monitor leborulhat, és ez súlyos testi sérülést, akár halált is okozhat.



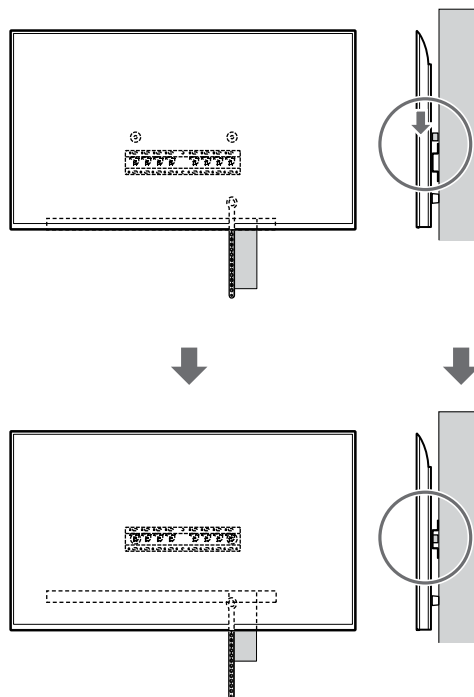
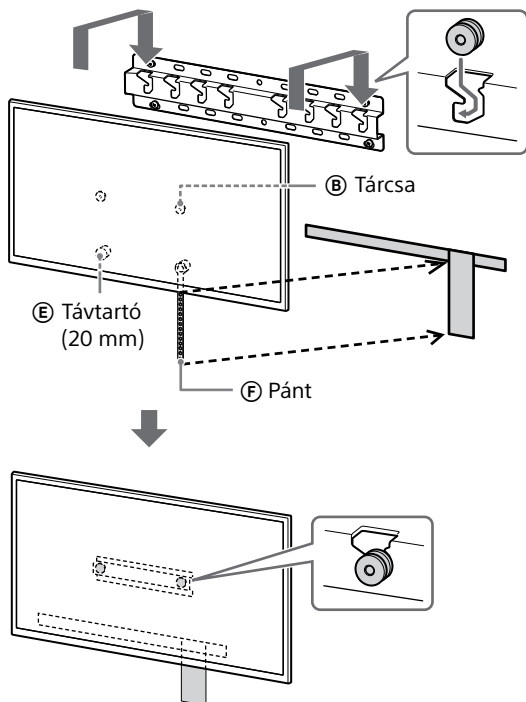
2 Szerelje fel a TV-t vagy LCD monitort az alapra (20) **A** vagy alap illesztőkeretre **1**.

- Finoman csúsztassa le a TV-t vagy LCD monitort, és a TV vagy LCD monitor hátulján lévő tárcsákat **B** akassza az alapba (20) **A** vagy az alap illesztőkeretbe **1**, miután megbizonyosodott a furatok megfelelő alakjáról.
- A TV vagy LCD monitor falra való felszerelése után ellenőrizze, hogy a tárcsák **B** szorosan illeszkednek-e az alapba (20) **A** vagy az alap illesztőkeretbe **1**.

Normál rögzítés (2-a) kiválasztása esetén:

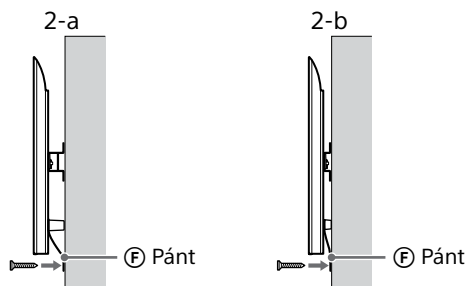


Falhoz közeli rögzítés (2-b) kiválasztása esetén:



3 Teendők a TV vagy LCD monitor aljának elmozdulása ellen.

- A laza pántot (F) rögzítse feszesen a falhoz.



- Használjon egy 5 mm átmérőjű vagy annak megfelelő csavart (nincs mellékelve).

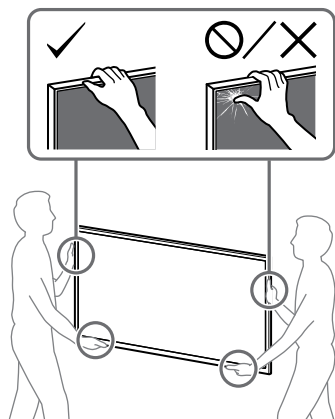
Megjegyzés

- Próbálja a TV vagy LCD monitor alját enyhén maga felé húzni annak ellenőrzéséhez, hogy az biztosan nem mozog-e előre. Ha mozgást tapasztal, akkor a rögzítés nem megfelelő, és a pántot (F) újra szorosan fel kell erősíteni.

Kivéve a KD-85X8xL / 85X8xBL / 75X8xL / 75X8xBL, KM-85X8xL / 75X8xL, XR-85X9xL / 75X9xL, XRM-85X9xL / 75X9xL modellt

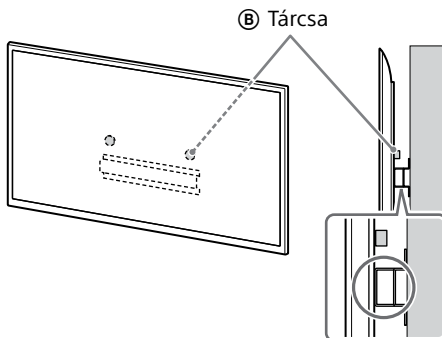
FIGYELMEZTETÉS

- Két vagy több személyre (189,3 cm (75 hüvelyk) vagy ennél nagyobb TV vagy LCD monitor esetén három vagy több személyre) van szükség egy nagyméretű TV vagy LCD monitor szállításához (kivéve Egyiptom). Két vagy több személyre (75 hüvelyk (189,3 cm) vagy ennél nagyobb TV vagy LCD monitor esetén három vagy több személyre) van szükség egy nagyméretű TV vagy LCD monitor szállításához (csak Egyiptom).



1 Emelje meg a TV-t vagy LCD monitort.

- Az alap (20) (A) vagy alap illesztőkeret (I) felfüggesztésére szolgáló tárcsák (B) elhelyezéséhez lásd a 19. oldalon található „Alap illesztőkeret (I) rögzítésének helye” részt.
- Győződjön meg róla, hogy a TV vagy LCD monitor hátsó része hozzáért az alaphoz (20) (A) vagy az alap illesztőkerethez (I), amikor a TV-t vagy LCD monitor tartja.

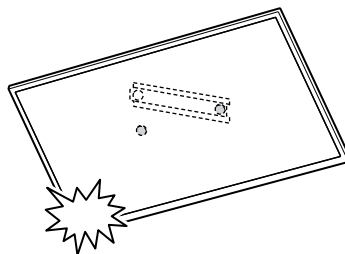


Megjegyzés

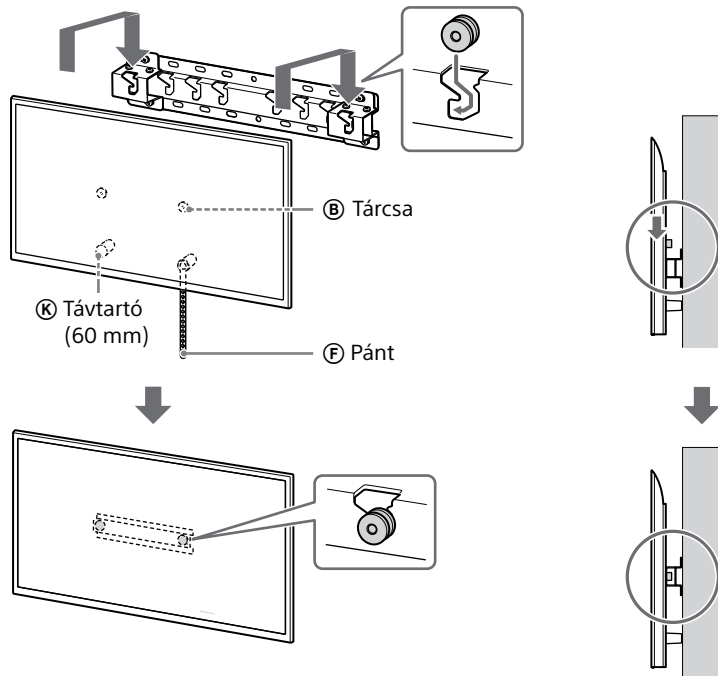
- Tartsa meg két kézzel biztonságosan a TV-t vagy LCD monitort.

2 Szerelje fel a TV-t vagy LCD monitort az alapra (20) (A) vagy alap illesztőkeretre (I).

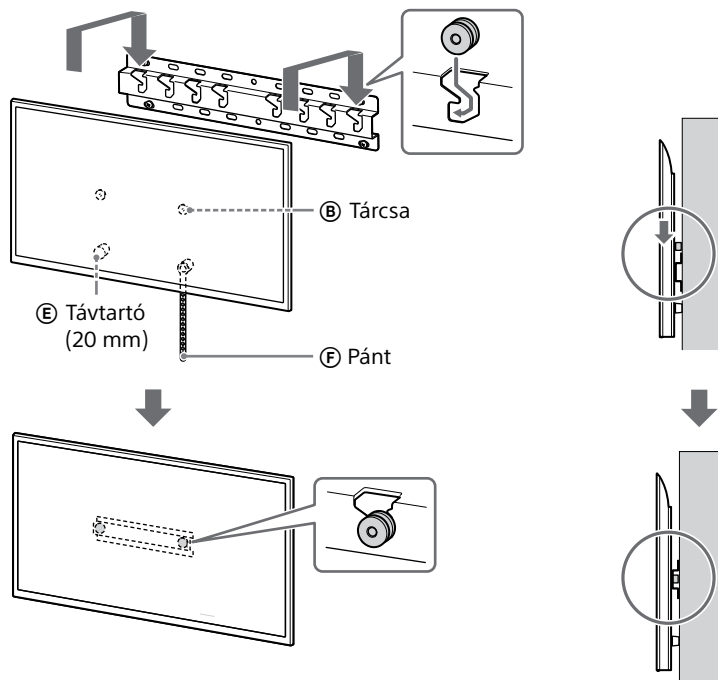
- Finoman csúsztassa le a TV-t vagy LCD monitor, és a TV vagy LCD monitor hátulján lévő tárcsákat (B) akassza az alapba (20) (A) vagy az alap illesztőkeretbe (I), miután megbizonyosodott a furatok megfelelő alakjáról.
- A TV vagy LCD monitor falra való felszerelése után ellenőrizze, hogy a tárcsák (B) szorosan illeszkednek-e az alapba (20) (A) vagy az alap illesztőkeretbe (I).
- Óvatosan engedje el mindkét kézzel, ügyelve arra, hogy a TV vagy LCD monitor nem esik le.



Normál rögzítés (2-a) kiválasztása esetén:

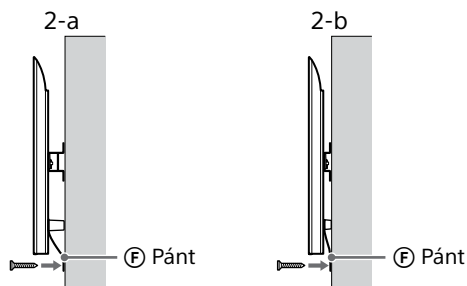


Falhoz közeli rögzítés (2-b) kiválasztása esetén:



3 Teendők a TV vagy LCD monitor aljának elmozdulása ellen.

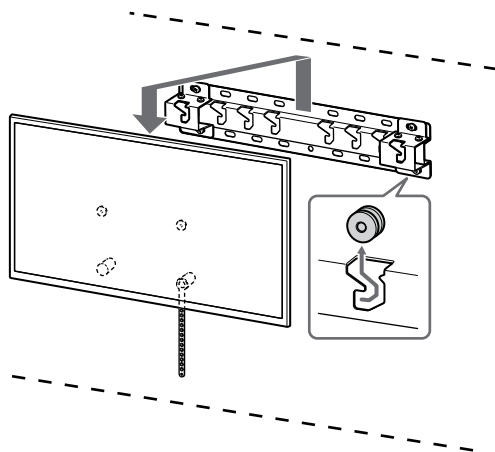
- A laza pántot (F) rögzítse feszesen a falhoz.



- Használjon egy 5 mm átmérőjű vagy annak megfelelő csavart (nincs mellékelve).

Megjegyzés

- Próbálja a TV vagy LCD monitor alját enyhén maga felé húzni annak ellenőrzéséhez, hogy az biztosan nem mozog-e előre. Ha mozgást tapasztal, akkor a rögzítés nem megfelelő, és a pántot (F) újra szorosan fel kell erősíteni.



FIGYELMEZTETÉS

- Két vagy több személyre (189,3 cm (75 hüvelyk) vagy ennél nagyobb TV vagy LCD monitor esetén három vagy több személyre) van szükség egy nagyméretű TV vagy LCD monitor szállításához (kivéve Egyiptom). Két vagy több személyre (75 hüvelyk (189,3 cm) vagy ennél nagyobb TV vagy LCD monitor esetén három vagy több személyre) van szükség egy nagyméretű TV vagy LCD monitor szállításához (csak Egyiptom).

A felszerelés megfelelőségének ellenőrzése

Ellenőrizze a következőket.

- A tárcsák (B) szorosan illeszkednek az alapba (20) (A) vagy az alap illesztőkeretbe (1).
- A hálózati kábel és az összekötő kábelek nem csavarodtak meg vagy csípődtek be.
- A pánt (F) feszes és nem laza.

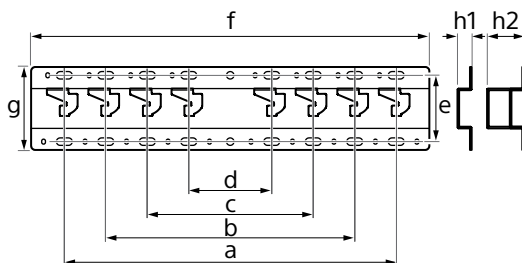
FIGYELMEZTETÉS

- A hálózati kábel stb. nem megfelelő elhelyezése rövidzárlat miatt tüzet vagy áramütést okozhat. Ellenőrizze a felszerelés megfelelőségét.

Egyéb információk

A TV vagy LCD monitor eltávolításakor visszafelé hajtsa végre az eljárást.

Műszaki adatok



Méretetek: (kb.) [mm]

- a : 400
- b : 300
- c : 200
- d : 100
- e : 80
- f : 480
- g : 100

- h1 : 20 (falhoz közeli rögzítéshez, 2-b)
- h2 : 60 (normál rögzítéshez, 2-a)

Súly (csak az alap): (kb.) [kg]

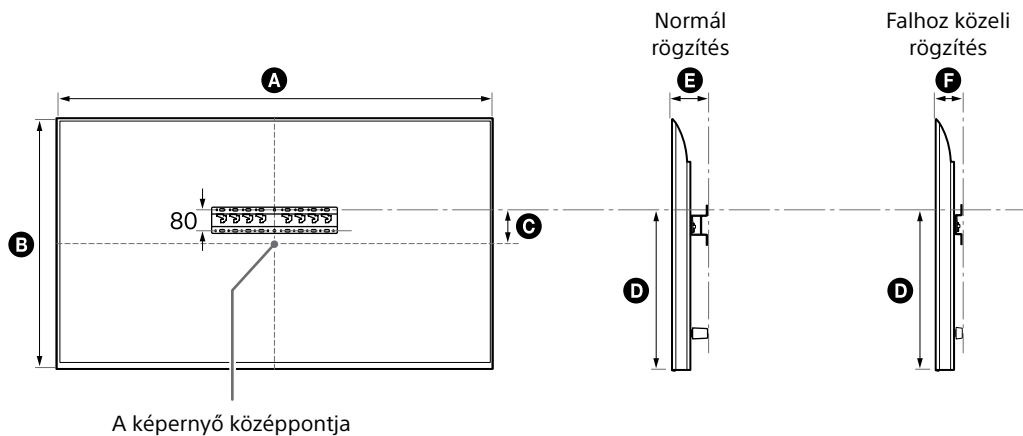
0,8

A forma és a műszaki adatok előzetes bejelentés nélkül megváltozhatnak.

Hivatkozások

Mérés a fali konzol falra szereléséhez

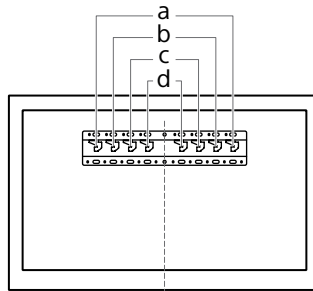
A felszereléstől függően a táblázat adataihoz képest kisebb eltérés mutatkozhat.



(mm)

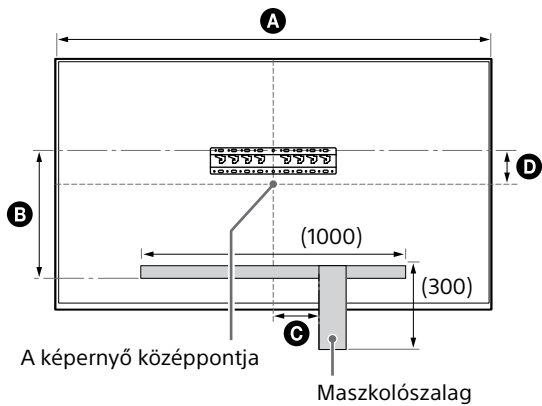
Típusnév	A	B	C	D	E	F
KD-85X81BL / 85X80L KM-85X80L	1901	1090	43	592	138	96
XR-85X90L XRM-85X90L	1891	1085	58	607	125	83
KD-75X85L KM-75X85L	1671	960	21	508	123	81
KD-75X81BL / 75X80L KM-75X80L	1675	962	12	493	137	95
XR-75X90L XRM-75X90L	1668	959	21	508	123	81
KD-65X85L / 65X85BL KM-65X85L	1447	832	85	505	123	81
KD-65X81BL / 65X80L KM-65X80L	1452	836	76	494	135	93
XR-65X90L XRM-65X90L	1445	831	85	505	123	81
KD-55X85L KM-55X85L	1228	709	146	505	122	81
KD-55X81BL / 55X80L KM-55X80L	1233	713	133	494	135	93
XR-55X90L XRM-55X90L	1225	707	146	505	122	81
KD-50X80L KM-50X80L	1119	649	63	392	133	91
KD-43X80L KM-43X80L	964	563	111	392	133	91

Alap illesztőkeret ① rögzítésének helye



Típusnév	Kampók helye	Típusnév	Kampók helye
KD-85X81BL / 85X80L KM-85X80L XR-85X90L XRM-85X90L	a	KD-55X85L / 55X81BL / 55X80L KM-55X85L / 55X80L XR-55X90L XRM-55X90L	b
KD-75X85L / 75X81BL / 75X80L KM-75X85L / 75X80L XR-75X90L XRM-75X90L	b	KD-50X80L KM-50X80L	c
KD-65X85L / 65X85BL / 65X81BL / 65X80L KM-65X85L / 65X80L XR-65X90L XRM-65X90L	b	KD-43X80L KM-43X80L	c

Fal megjelölése a TV vagy LCD-monitor felszerelési helyéhez



(mm)

Típusnév	A	B	C	D
KD-85X81BL / 85X80L KM-85X80L	1901	472	200	43
XR-85X90L XRM-85X90L	1891	486	200	58
KD-75X85L KM-75X85L	1671	388	150	21
KD-75X81BL / 75X80L KM-75X80L	1675	373	150	12
XR-75X90L XRM-75X90L	1668	388	150	21

Instalační informace k používání nástěnného držáku Sony (SU-WL450)

Podporované modely*:

* U jednotlivých názvů modelů označuje „x“/„xx“ čísla a/nebo znaky popisující jednotlivé konkrétní modely.

KD-85X8xL / 85X8xBL / 75X8xL / 75X8xBL / 65X8xL / 65X8xBL / 55X8xL / 55X8xBL / 50X8xL / 43X8xL

KM-85X8xL / 75X8xL / 65X8xL / 55X8xL / 50X8xL / 43X8xL

XR-85X9xL / 75X9xL / 65X9xL / 55X9xL

XRM-85X9xL / 75X9xL / 65X9xL / 55X9xL

Pro zákazníky

Společnost Sony za účelem ochrany produktu a z důvodů bezpečnosti důrazně doporučuje, aby instalaci televizoru nebo LCD monitoru provedl prodejce Sony nebo autorizovaný dodavatel. Nepokoušejte se o jeho instalaci sami.

Pro prodejce a dodavatele Sony

Během instalace, pravidelné údržby a prohlídek výrobku důsledně dbejte na bezpečnost.

Instalace tohoto produktu vyžaduje dostatečné zkušenosti, zejména pak pro posouzení, zda zeď unese váhu televizoru nebo LCD monitoru. Připevnění tohoto produktu na zeď byste měli svěřit prodejcům Sony nebo autorizovaným dodavatelům a během instalace věnovat patřičnou pozornost bezpečnosti. Společnost Sony nenese žádnou odpovědnost za poškození nebo zranění způsobené nesprávnou manipulací nebo instalací.

V zájmu bezpečné a správné instalace postupujte podle provozních pokynů k montáži nástěnného držáku, průvodce nastavením televizoru nebo LCD monitoru a pokynů v této příručce.

Nástěnný držák

Bezpečnostní opatření

Děkujeme, že jste si zakoupili tento produkt.

Pro zákazníky

Montáž televizoru nebo LCD monitoru na zeď



VYŽADUJE ODBORNOU INSTALACI

Instalaci tohoto produktu smí provést pouze odborník, který dokáže fundovaně posoudit nosnost stěny vzhledem ke hmotnosti televizoru nebo LCD monitoru. V případě nedostatečného upevnění během instalace může dojít k pádu televizoru nebo LCD monitoru a k vážnému zranění. Společnost Sony není odpovědná za jakékoliv škody nebo zranění způsobená nesprávným zacházením, nesprávnou instalací nebo instalací jiného, než určeného produktu. Vaše zákonná práva (pokud existují) nejsou omezena.

Informace pro prodejce společnosti Sony

Montáž tohoto produktu vyžaduje odborné znalosti a zkušenosti. Důkladně si přečtěte tento návod k použití, abyste montáž mohli provést v souladu s bezpečnostními pokyny. Společnost Sony nenese žádnou odpovědnost za jakékoli škody nebo zranění způsobená nesprávným zacházením nebo nesprávnou montáží. Po provedení montáže tento návod vraťte zákazníkovi.

Tento návod k použití popisuje správnou manipulaci s výrobkem a obsahuje důležité upozornění, jejichž dodržování brání vzniku nehod. Jste povinni si přečíst veškeré pokyny v tomto návodu k použití, důkladně jim porozumět a dodržovat je. Zanedbání této povinnosti může mít za následek zranění nebo škody na majetku a propadnutí záruky. Tento návod uschovejte pro budoucí použití.

Produkty od společnosti Sony jsou navrženy s ohledem na bezpečnost. Pokud nebudete produkt správně používat, může v důsledku jeho převrácení nebo pádu dojít k vážnému poranění ohněm nebo zásahu elektrickým proudem. Aby k takovým nehodám nedošlo, vždy dodržujte uvedená bezpečnostní opatření.

UPOZORNĚNÍ

Určené produkty

Tento nástěnný držák je určen k použití s určenými televizory nebo LCD monitoru. V příslušných Referenčních příručkách k televizorům nebo LCD monitorům najdete informace o tom, se kterými z nich je možné nástěnný držák používat.

Pro zákazníky

VAROVÁNÍ

Pokud nebudete dodržovat následující bezpečnostní opatření, může v důsledku pádu produktu dojít k požáru nebo úrazu elektrickým proudem a vážnému zranění nebo úmrtí.

Proto montáž tohoto produktu svěřte licencovaným dodavatelům a během montáže nedovolte malým dětem pobývat v blízkosti produktu.

Pokud nástěnný držák nebo televizor nebo LCD monitor nenamontujete správně, může dojít k následujícím nehodám. Montáž svěřte licencovaným dodavatelům.

- Televizor nebo LCD monitor může spadnout a způsobit vážné zranění, například zhmoždění nebo zlomeninu.
- Pokud zeď, na kterou chcete nástěnný držák namontovat, není stabilní, rovná či kolmá k podlaze, zařízení může spadnout a způsobit zranění nebo poškození majetku. Stěna by měla unést hmotnost alespoň čtyřnásobku hmotnosti televizoru nebo LCD monitoru. (Informace o hmotnosti najdete v Referenční příručce k televizoru nebo LCD monitoru.)
- Pokud není montáž nástěnného držáku dostatečně pevná, zařízení může spadnout a způsobit zranění nebo poškození majetku.

Přenos nebo demontáž televizoru nebo LCD monitoru svěřte licencovaným dodavatelům.

Pokud jeho přepravu nebo demontáž provádí jiné osoby než licencovaní dodavatelé, může televizor nebo LCD monitor spadnout a způsobit zranění nebo poškození majetku. Pro přepravu velkých televizorů či LCD monitorů je zapotřebí dvou nebo více osob (tři nebo více osob pro televizor či LCD monitor s rozměrem 189,3 cm (75 palců) a více) (kromě Egypta). Pro přepravu velkých televizorů či LCD monitorů je zapotřebí dvou nebo více osob (tři nebo více osob pro televizor či LCD monitor s rozměrem 75 palců (189,3 cm) a více) (pouze Egypt).

Po montáži televizoru nebo LCD monitoru nevytahujte šrouby atd.

V opačném případě by mohl televizor nebo LCD monitor spadnout a způsobit zranění nebo poškození majetku.

Součásti nástěnného držáku nijak neupravujte.

V opačném případě by mohl nástěnný držák spadnout a způsobit zranění nebo poškození majetku.

Na konzolu nemontujte žádná jiná než určená zařízení.

Tento nástěnný držák je určen k použití pouze s určenými zařízeními. Pokud na ni namontujete jiné než určené zařízení, mohlo by spadnout nebo se rozlomit a způsobit zranění nebo poškození majetku.

Zabraňte tomu, aby na nástěnný držák působila jiná zátěž než televizor nebo LCD monitor. Netřeste televizorem nebo LCD monitorem doleva/doprava, nahoru/dolů.

V opačném případě by mohl televizor nebo LCD monitor spadnout a způsobit zranění nebo poškození majetku.

O televizor nebo LCD monitor se neopírejte ani se na něj nezavěšujte.

O televizor nebo LCD monitor se neopírejte ani se na něj nezavěšujte, protože by na něj mohl spadnout a způsobit vážné zranění.

UPOZORNĚNÍ

Pokud nebudete dodržovat následující opatření, může dojít ke zranění nebo poškození majetku.

- Nepoužité části uložte na bezpečném místě pro budoucí použití. Uchovávejte je mimo dosah dětí.

Během čištění nebo provádění údržby na produkt nevyvíjejte nadměrnou sílu.

Na horní část televizoru nebo LCD monitoru nevyvíjejte sílu. V opačném případě by mohl televizor nebo LCD monitor spadnout a způsobit zranění nebo poškození majetku.

Bezpečnostní opatření

- Pokud používáte televizor nebo LCD monitor namontovaný na nástěnný držák dlouhou dobu, barva stěny za nebo nad televizorem nebo LCD monitorem se může v závislosti na materiálu stěny změnit nebo může dojít k odlepení tapety.
- Pokud po montáži na zeď nástěnný držák odstraníte, zůstanou po něm díry na šrouby.
- Nástěnný držák nepoužívejte v místech, na která působí mechanické otřesy.

Montáž nástěnného držáku

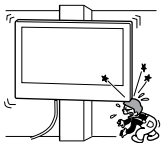
Informace pro
prodejce společnosti
Sony

VAROVÁNÍ

Následující pokyny jsou určeny pouze pro prodejce společnosti Sony. Pročtěte si výše uvedené pokyny a během montáže, údržby a kontroly tohoto produktu věnujte zvýšenou pozornost bezpečnosti.

Nástěnný držák nemontujte na takové plochy stěn, u kterých rohy nebo boky televizoru nebo LCD monitoru přecházejí ze stěny.

Nástěnný držák nemontujte na takové plochy stěn, například sloupy, u kterých rohy nebo boky televizoru nebo LCD monitoru přecházejí ze stěny. Pokud do vyčnívajících rohů nebo boků televizoru nebo LCD monitoru narazí osoba nebo předmět, může dojít ke zranění nebo poškození majetku.

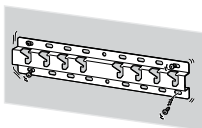


Televizor nebo LCD monitor nemontujte nad ani pod klimatizaci.

Pokud je televizor nebo LCD monitor dlouhodobě vystaven prosakování vody nebo proudu vzduchu z klimatizace, může dojít k požáru, úrazu elektrickým proudem nebo poruše televizoru nebo LCD monitoru.

Nástěnný držák bezpečně namontujte podle následujících pokynů v tomto návodu k použití.

Pokud jsou kterékoliv šrouby uvolněné nebo pokud vypadnou, může nástěnný držák spadnout a způsobit zranění nebo poškození majetku. Použijte šrouby vhodné pro materiál stěny a zařízení bezpečně upevněte pomocí nejméně čtyř šroubů o průměru 8 mm (nebo ekvivalentní).



Používejte pouze dodané šrouby a další součásti podle pokynů uvedených v tomto návodu k použití. Pokud použijete náhradní součásti, televizor nebo LCD monitor může spadnout a způsobit zranění osob nebo poškození televizoru nebo LCD monitoru.

Nástěnný držák sestavte správně dle pokynů vysvětlených v tomto návodu k použití.

Pokud jsou kterékoliv šrouby uvolněné nebo pokud vypadnou, televizor nebo LCD monitor může spadnout a způsobit zranění osob nebo poškození televizoru nebo LCD monitoru.

Šrouby pevně utáhněte v určené poloze.

V opačném případě může televizor nebo LCD monitor spadnout a způsobit zranění osob nebo poškození televizoru nebo LCD monitoru.

Během montáže dávejte pozor, aby nedošlo k nárazu televizoru nebo LCD monitoru.

Pokud je televizor nebo LCD monitor vystaven nárazům, může dojít k jeho pádu nebo rozlomení. V důsledku toho by pak mohlo dojít ke zranění.

Televizor nebo LCD monitor namontujte na stěnu, která je kolmá a rovná.

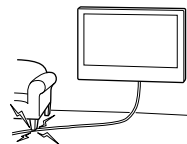
V opačném případě by mohl televizor nebo LCD monitor spadnout a způsobit zranění.

Po řádné montáži televizoru nebo LCD monitoru řádně zajistěte kabely.

Pokud se do kabelů zamotájí osoby nebo jiné předměty, může dojít ke zranění nebo poškození televizoru nebo LCD monitoru.

Dávejte pozor, aby nedošlo ke skřípnutí napájecí šňůry nebo propojovacího kabelu.

Pokud dojde ke skřípnutí napájecí šňůry nebo propojovacího kabelu mezi zařízením a stěnou nebo pokud dojde k jejich násilnému ohnutí nebo zkroucení, vnitřní vodiče mohou být obnaženy a mohou způsobit zkrat nebo přerušování elektrického obvodu. V důsledku toho může dojít k požáru nebo úrazu elektrickým proudem.



Šrouby nutné k montáži nástěnného držáku nejsou součástí balení.

Při montáži nástěnného držáku používejte vhodné šrouby pro materiál stěny.

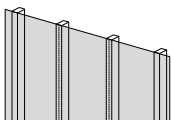
Než začnete

- Obrázky televizoru či LCD monitoru uvedené v tomto návodu jsou příklady, které mají za úkol jasně vysvětlit ovládání přístroje. Z tohoto důvodu se mohou obrázky od vašeho skutečného televizoru či LCD monitoru lišit.

Z čeho je vaše stěna vyrobena?

Nejdříve zjistěte typ stěny, na kterou chcete televizor nebo LCD monitor instalovat.

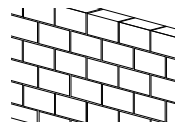
Sádkartonová stěna s rámy z dřevěných hranolů



Bezpečnostní opatření

- Maximální tloušťka sádkartonové stěny: 16 mm.
- Zkontrolujte, zda je velikost hranolu vnitřního dřevěného rámu alespoň 51 mm × 102 mm pro běžné nebo 38 mm × 89 mm pro jmenovité.

Betonové tvárnice nebo tvárnice ztraceného bednění



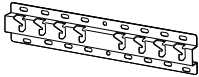








Bezpečnostní opatření

- Nástěnný držák namontujte přímo na stěnu z betonových tvárcí.
- Zkontrolujte, zda je tloušťka stěny z betonových tvárcí alespoň 203 mm.
- Zkontrolujte, zda je velikost jednotlivých tvárcí ztraceného bednění alespoň 203 mm × 203 mm × 406 mm.




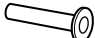

Kontrola součástí

Dodáno s modelem SU-WL450


- Zkontrolujte, že žádná součást nechybí.

<p>Ⓐ Základna (20) (×1)</p> 	<p>Ⓑ Kladka (×2)</p> 	<p>Ⓒ Šroub (+PSW 6 × 20) (×4)</p> 	<p>Ⓔ Rozpěrka (20 mm) (×2)</p> 
<p>Ⓕ Pás (×1)</p> 	<p>Ⓘ Adaptér základny (×2)</p> 	<p>Ⓙ Šroub (+PSW 4 × 10) (×8)</p> 	<p>Ⓚ Rozpěrka (60 mm) (×2)</p> 
<p>Ⓛ Šroub (+PSW 6 × 50) (×2)</p> 			

- Tyto díly nemusí být u vašeho modelu použity.

<p>Ⓓ Šroub (+PSW 4 × 20) s průchodkou (×2)</p> 	<p>Ⓞ Průchodka (20) (M4) (×2)</p> 	<p>Ⓢ Šroub (+PSW 4 × 20) (×2)</p> 	<p>Ⓜ Průchodka (M4) (×2)</p> 
<p>Ⓝ Šroub (+PSW 4 × 50) (×2)</p> 			



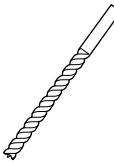
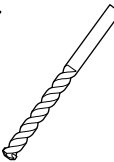
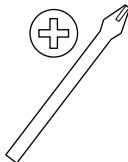
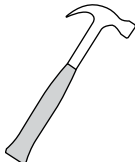
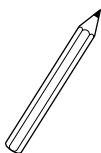
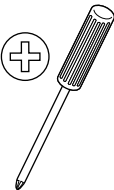
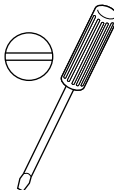
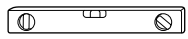




Dodáno s televizorem nebo LCD monitorem

<p>Upevňovací díl pro montáž na zeď VS (×4)*</p> 

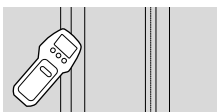
- * Pouze pro některé oblasti/země/modely.

Příprava na montáž

- Před instalací mějte po ruce referenční příručku a průvodce nastavením televizoru nebo LCD monitoru.
- Zkontrolujte montážní polohu televizoru nebo LCD monitoru.
- Připravte si nejméně čtyři šrouby o průměru 8 mm a jeden šroub o průměru 5 mm nebo ekvivalentní (nejsou součástí balení). Vyberte šrouby vhodné pro materiál stěny.
- Připravte si následující nářadí:

*1 		 5,5 mm	 10 mm	
*2 		 1,5 N·m {15 kgf·cm}	*3  1,5 N·m {15 kgf·cm}	
	*2  (×4)	 (×4) 8 mm × 60 mm	 5 mm	
*4 				

*1 Pouze pro sádkartonovou stěnu s rámy z dřevěných hranolů



*2 Pouze pro stěnu z betonových tvárníc nebo z tvárníc ztraceného bednění

*3 V závislosti na modelu

*4 Pouze pro televizor či LCD monitor s velikostí nad 189,3 cm (75 palců) (kromě Egypta)
Pouze pro televizor či LCD monitor s velikostí nad 75 palců (189,3 cm) (pouze Egypt)

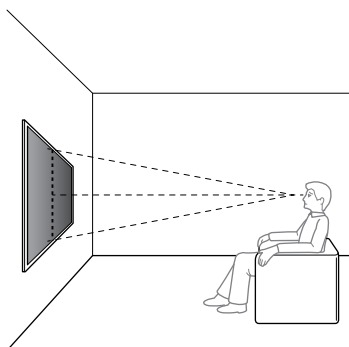
Instalace nástěnného držáku na stěnu

1 Rozhodněte se, kam chcete konzolu upevnit.

Ujistěte se, že je na zdi na televizor nebo LCD monitor dostatek prostoru a že zeď unese alespoň čtyřnásobek hmotnosti televizoru nebo LCD monitoru. Informace o hmotnosti televizoru nebo LCD monitoru naleznete v Referenční příručce k televizoru nebo LCD monitoru.

Poznámka

- Když televizor nebo LCD monitor namontujete na zeď, bude se horní strana televizoru nebo LCD monitoru mírně naklánět vpřed.
- Doporučujeme vyzkoušet polohu televizoru nebo LCD monitoru při sledování.



2 Vyberte způsob montáže na zeď podle ilustrací níže.

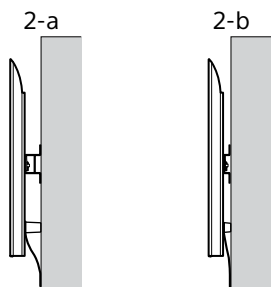
2-a: Běžná montáž

2-b: Montáž u stěny

- Viz „Měření pro montáž nástěnného držáku na zeď“ na straně 18.

VAROVÁNÍ

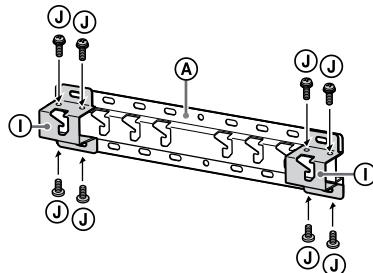
- Když zvolíte možnost 2-b, bude přístup k zadním konektorům omezený.



3 Pokud se rozhodnete pro běžnou montáž (2-a):

Přípevněte adaptér základny ① pomocí šroubu (+PSW 4 × 10) ② k základně (20) ③.

- Viz „Místo pro osazení adaptéru základny ①“ na straně 19.



Příklad: osazení adaptéru základny ① na místě „a“

Pokud se rozhodnete pro montáž u stěny (2-b):

Tento krok přeskočte.

4 Určete umístění šroubů pro montáž základny (20) ③.

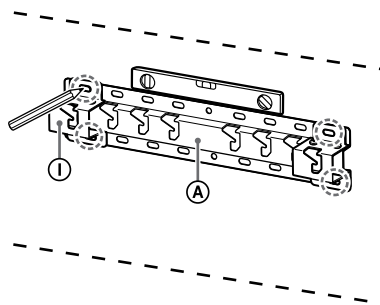
- Viz „Technické údaje“ na straně 17.

VAROVÁNÍ

- Určete sílu stěny, na kterou bude televizor nebo LCD monitor upevněn. V případě potřeby stěnu dostatečně zpevněte.
- Stěna, na které bude televizor nebo LCD monitor namontován, by měla unést hmotnost alespoň **čtyřnásobku** hmotnosti televizoru nebo LCD monitoru. (Informace o hmotnosti najdete v Referenční příručce k televizoru nebo LCD monitoru.)

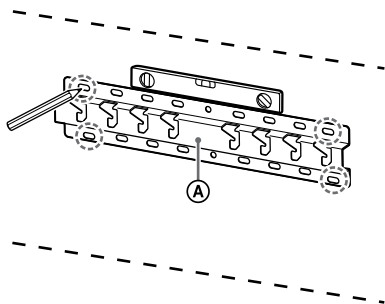
Pokud se rozhodnete pro běžnou montáž (2-a):

Použijte polohy otvorů adaptéru základny ①.



Příklad: označení na místě „a“ pro osazení základny (20) ③

Pokud se rozhodnete pro montáž u stěny (2-b):

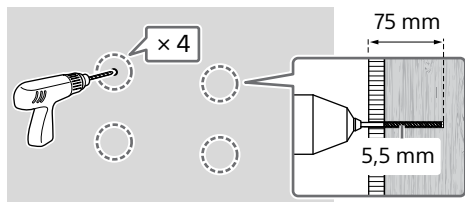


Příklad: označení na místě „a“ pro osazení základny (20) ④

5 Vyrtejte otvory na značkách.

Ujistěte se, že místo na zdi pro vyvrtání otvorů je dostatečně silné na to, aby uneslo alespoň čtyřnásobek hmotnosti televizoru nebo LCD monitoru.

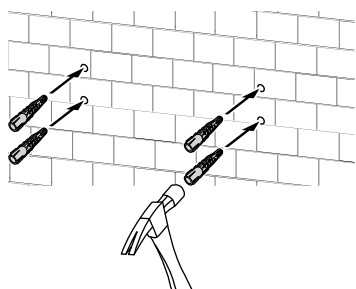
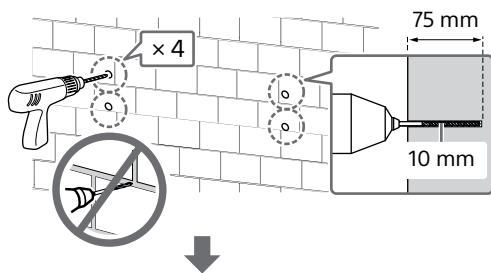
Vrtání do sádkartonové stěny s rámy z dřevěných hranolů:



Poznámka

- Otvory je nutno předvrtat do hloubky 75 mm vrtákem o průměru 5,5 mm.

Vrtání do stěny z betonových tvárníc nebo z tvárníc ztraceného bednění:



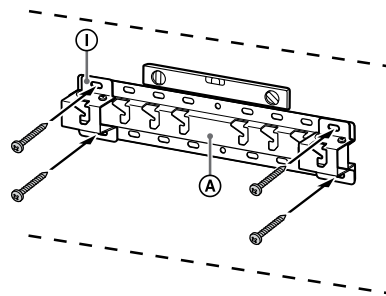
6 Namontujte základnu (20) ④ na zeď pomocí vhodných šroubů (není součástí dodávky).

Poznámka

- Připravte si nejméně čtyři šrouby o průměru 8 mm nebo ekvivalentní (nejsou součástí balení).
- Pomocí vodováhy zkontrolujte, zda je základna (20) ④ ve vodorovné poloze.

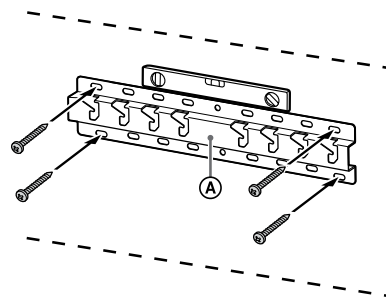
Pokud se rozhodnete pro běžnou montáž (2-a):

Umístěte čtyři šrouby do otvorů adaptéru základny ① a do základny (20) ④.



Příklad: osazení základny (20) ④ na místě „a“

Pokud se rozhodnete pro montáž u stěny (2-b):



Příklad: osazení základny (20) ④ na místě „a“

7 Pouze modely KD-85X8xL / 85X8xBL / 75X8xL / 75X8xBL, KM-85X8xL / 75X8xL, XR-85X9xL / 75X9xL, XRM-85X9xL / 75X9xL

Vyznačte místo instalace na stěně.

Použijte maskovací pásku atd. (není součástí dodávky) pro vyznačení umístění televizoru nebo LCD monitoru v blízkosti základny (20) ④ nebo adaptéru základny ①.

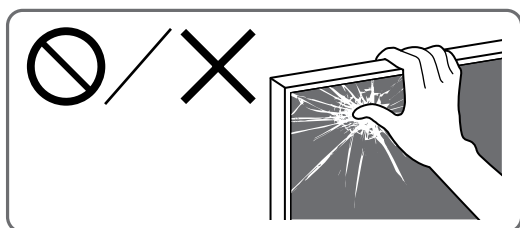
- Viz „Značky na zeď v místě montáže televizoru nebo LCD monitoru“ na straně 20.

Kromě KD-85X8xL / 85X8xBL / 75X8xL / 75X8xBL, KM-85X8xL / 75X8xL, XR-85X9xL / 75X9xL, XRM-85X9xL / 75X9xL
Tento krok přeskočte.

Příprava na montáž televizoru nebo LCD monitoru

Poznámka

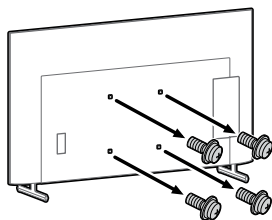
- Vyšroubované šrouby a nepoužité díly uschovejte na bezpečném místě mimo dosah dětí.



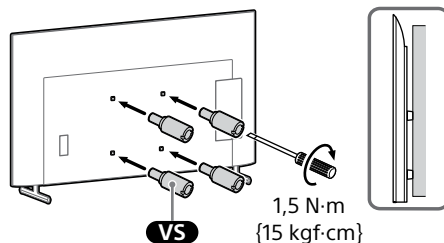
1 Namontujte stolní stojan, aby na něm dokázaly televizor či LCD monitor stát.

- Viz Průvodce nastavením vašeho televizoru či LCD monitoru.

2 Vyšroubujte šrouby ze zadní části televizoru nebo LCD monitoru.



3 Připojte upevňovací díly pro montáž na zeď **VS** (dodány s televizorem nebo LCD monitorem) na zadní stranu televizoru nebo LCD monitoru (aby byla rovnoběžně se stěnou).



Poznámka

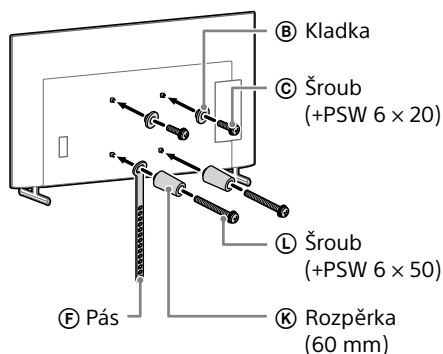
- Při instalaci upevňovacích dílů pro montáž na zeď **VS** k televizoru či LCD monitoru šrouby důkladně utáhněte. K instalaci upevňovacích dílů pro montáž na zeď **VS** použijte výhradně plochý šroubovák. Použití jiného nástroje může vést k překročení utahovacího momentu šroubů upevňovacích dílů pro montáž na zeď **VS** a k poškození televizoru či LCD monitoru.

4 Připojte části příslušenství nástěnného držáku. Zkontrolujte části příslušenství v odstavci „Dodáno s modelem SU-WL450“ části „Kontrola součástí“ na straně 6.

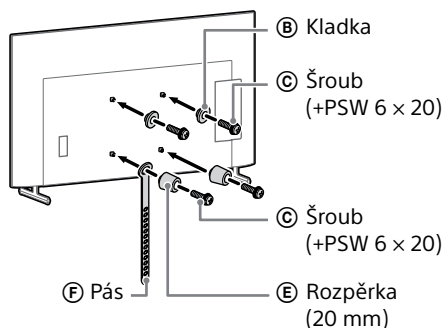
Poznámka

- Pevně zajistěte díly příslušenství pomocí šroubů.
- Když používáte elektrický šroubovák, nastavte utahovací moment přibližně na 1,5 N·m {15 kgf·cm}.

Pokud se rozhodnete pro běžnou montáž (2-a):



Pokud se rozhodnete pro montáž u stěny (2-b):



- ## 5 Zapojte příslušné kabely k televizoru nebo LCD monitoru.
- Před montáží televizoru nebo LCD monitoru na zeď nezapomeňte zkontrolovat, zda jsou kabely připojeny. Po montáži televizoru nebo LCD monitoru nebude možné kabely zapojit.

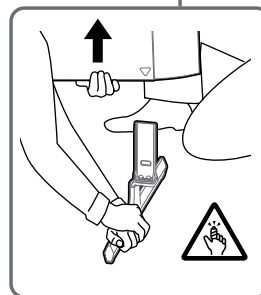
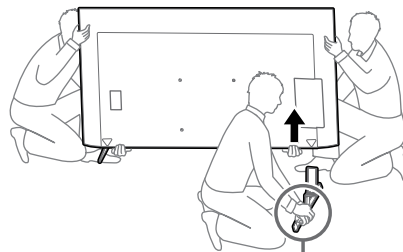
Poznámka

- Vytvoření trasy kabelu ve stěně zadejte autorizovanému dodavateli.
- Spojte připojovací kabely do svazku, aby na ně nikdo nestoupil před jejich montáží na stěnu.

- ## 6 Odmontujte stolní stojan od televizoru nebo LCD monitoru.
- Následující ilustrace je příkladem provedení tohoto úkonu.

Kromě KD-75X85L / 65X85L / 65X85BL / 55X85L, KM-75X85L / 65X85L / 55X85L, XR-85X90L / 75X90L / 65X90L / 55X90L, XRM-85X90L / 75X90L / 65X90L / 55X90L

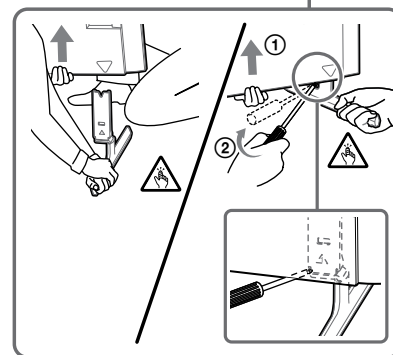
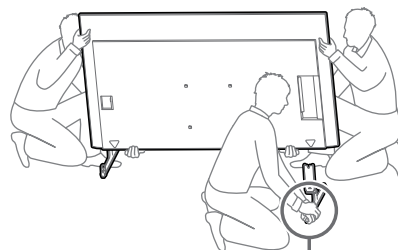
- Odstraňte jednu stranu stolního stojanu. Držte pevně a bezpečně stolní stojan oběma rukama, zatímco ostatní lidé zvedají televizor nebo LCD monitor.



- Opakujte předchozí krok a odstraňte druhou stranu stolního stojanu.

Pouze modely KD-75X85L / 65X85L / 65X85BL / 55X85L, KM-75X85L / 65X85L / 55X85L

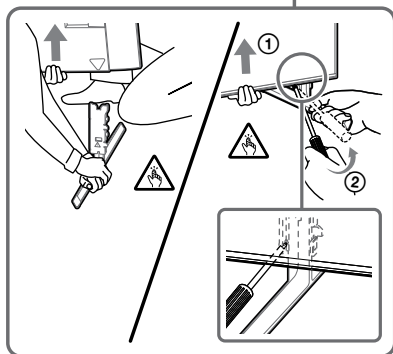
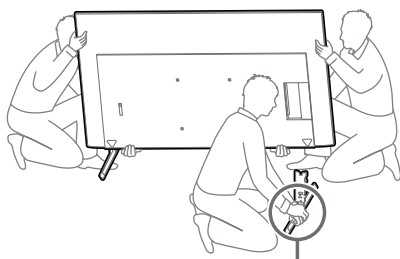
- Odstraňte jednu stranu stolního stojanu. Držte pevně a bezpečně stolní stojan oběma rukama, zatímco ostatní lidé zvedají televizor nebo LCD monitor.



- Opakujte předchozí krok a odstraňte druhou stranu stolního stojanu.

Pouze modely XR-85X90L / 75X90L / 65X90L / 55X90L, XRM-85X90L / 75X90L / 65X90L / 55X90L

- Odstraňte jednu stranu stolního stojanu. Držte pevně a bezpečně stolní stojan oběma rukama, zatímco ostatní lidé zvedají televizor nebo LCD monitor.



- Opakujte předchozí krok a odstraňte druhou stranu stolního stojanu.

Poznámka

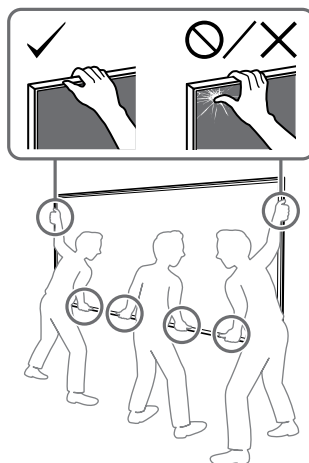
- Demontáž stolního stojanu vyžaduje tři nebo více lidí.
- Dávejte pozor, abyste při demontáži stolního stojanu od televizoru nebo LCD monitoru nepůsobili nadměrnou silou, protože by televizor nebo LCD monitor mohl spadnout a mohlo by tak dojít ke zranění osob nebo k poškození televizoru nebo LCD monitoru.
- Při manipulaci se stolním stojanem dávejte pozor, abyste zabránili poškození televizoru nebo LCD monitoru.
- Při zvedání televizoru nebo LCD monitoru buďte opatrní, protože při demontáži stolního stojanu by mohlo dojít k jeho převrácení a ke zranění osob.
- Při demontáži stolního stojanu z televizoru nebo LCD monitoru buďte opatrní, aby nedošlo k jeho pádu a poškození povrchu, na němž televizor nebo LCD monitor stojí.

Montáž televizoru nebo LCD monitoru na zeď

Pouze modely KD-85X8xL / 85X8xBL / 75X8xL / 75X8xBL, KM-85X8xL / 75X8xL, XR-85X9xL / 75X9xL, XRM-85X9xL / 75X9xL

VAROVÁNÍ

- Pro přepravu velkých televizorů či LCD monitorů je zapotřebí dvou nebo více osob (tři nebo více osob pro televizor či LCD monitor s rozměrem 189,3 cm (75 palců) a více) (kromě Egypta).
Pro přepravu velkých televizorů či LCD monitorů je zapotřebí dvou nebo více osob (tři nebo více osob pro televizor či LCD monitor s rozměrem 75 palců (189,3 cm) a více) (pouze Egypt).



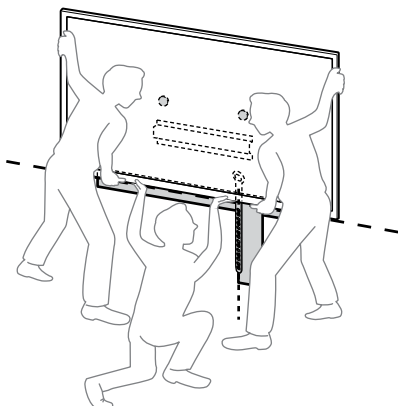
1 Zvedněte televizor nebo LCD monitor.

- Ohledně umístění kladky ② pro zavěšení na základnu (20) ① nebo na adaptér základny ① viz „Místo pro osazení adaptéru základny ①“ na straně 19.
- Ujistěte se, že se zadní část televizoru nebo LCD monitoru dotýká základny (20) ① nebo adaptéru základny ①, když nesou televizor nebo LCD monitor.

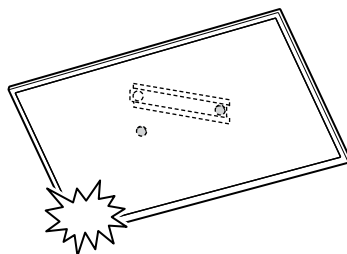
Poznámka

- Držte televizor nebo LCD monitor bezpečně oběma rukama a ujistěte se, že pás ③ a spodní část televizoru nebo LCD monitoru jsou zarovnaný s maskovací páskou.

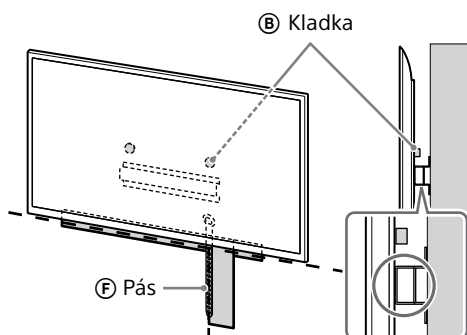
- Televizor nebo LCD monitor by měli držet tři lidé a osoba, která stojí před televizorem nebo LCD monitorem, by měla ostatní navádět do správné pozice.



- Pomalu uvolněte obě ruce a ujistěte se, že nedojde k pádu televizoru nebo LCD monitoru.



- Při instalaci televizoru nebo LCD monitoru na stěnu věnujte velkou pozornost zejména osobě, která televizor nebo LCD monitor drží zespodu, protože může dojít k pádu televizoru nebo LCD monitoru a vážnému zranění nebo dokonce úmrtí.

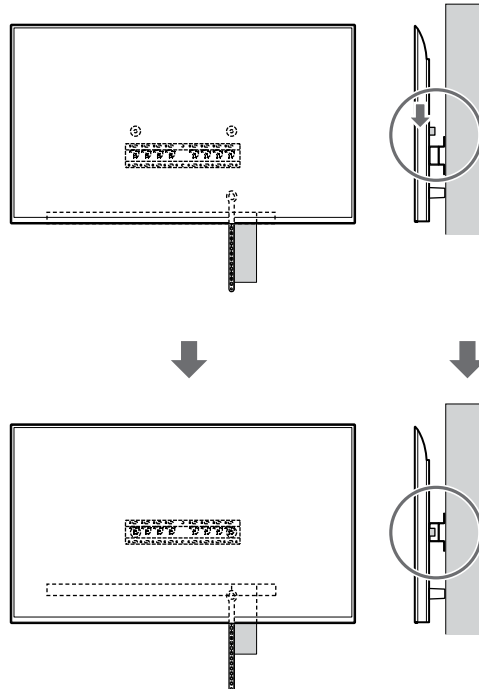
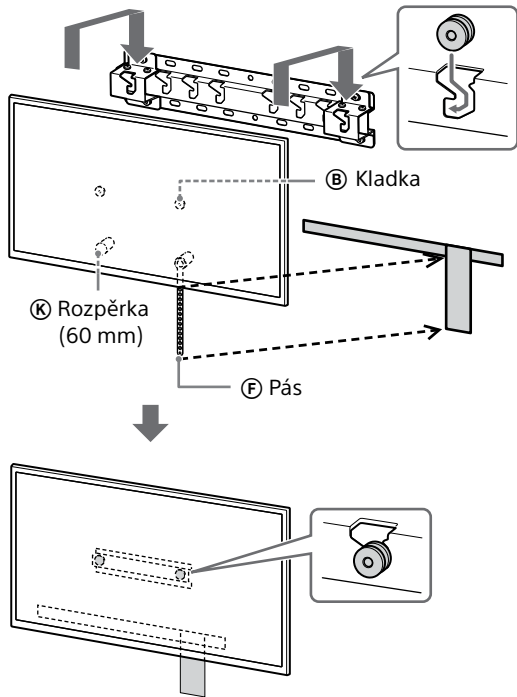


- Po instalaci televizoru nebo LCD monitoru na stěnu odstraňte maskovací pásku atd. ze zdi.

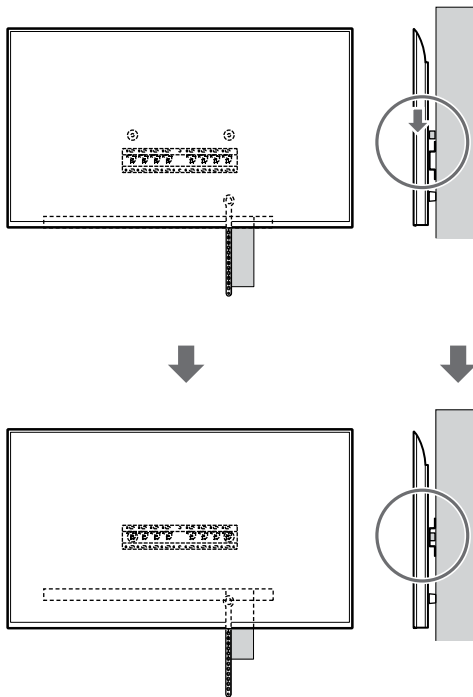
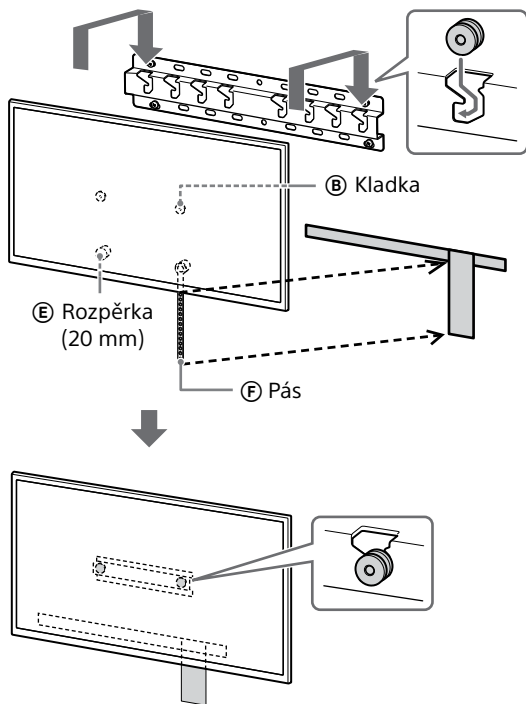
2 Instalujte televizor nebo LCD monitor na základnu (20) **A** nebo adaptér základny **I**.

- Opatrně posuňte televizor nebo LCD monitor dolů a zavěste kladky **B** připojené k zadní části televizoru nebo LCD monitoru do základny (20) **A** nebo adaptéru základny **I** a zkontrolujte tvar otvorů.
- Po montáži televizoru nebo LCD monitoru na zeď zkontrolujte, zda jsou kladky **B** pevně zaklapnuty v základně (20) **A** nebo v adaptéru základny **I**.

Pokud se rozhodnete pro běžnou montáž (2-a):

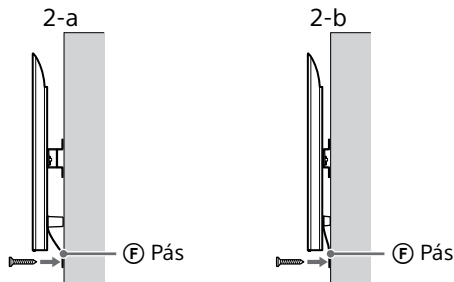


Pokud se rozhodnete pro montáž u stěny (2-b):



3 Zajistěte, aby se dolní část televizoru nebo LCD monitoru neposunovala.

- Uchopte kus pásu (F) a pevně ho upevněte ke zdi.



- Použijte šroub o průměru 5 mm nebo ekvivalentní (není součástí balení).

Poznámka

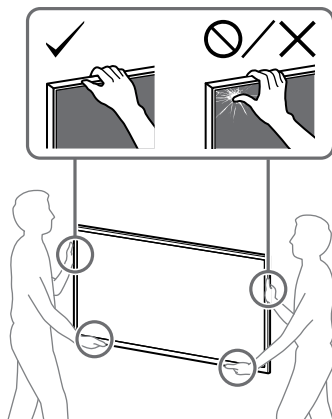
- Zkuste opatrně zatáhnout za spodní stranu televizoru nebo LCD monitoru směrem k sobě a ujistěte se, že se nepohne kupředu. Pokud zjistíte jakýkoli posun výrobku, znamená to, že není řádně upevněn, a pás (F) je třeba znovu pevně utáhnout.

Kromě KD-85X8xL / 85X8xBL / 75X8xL / 75X8xBL, KM-85X8xL / 75X8xL, XR-85X9xL / 75X9xL, XRM-85X9xL / 75X9xL

VAROVÁNÍ

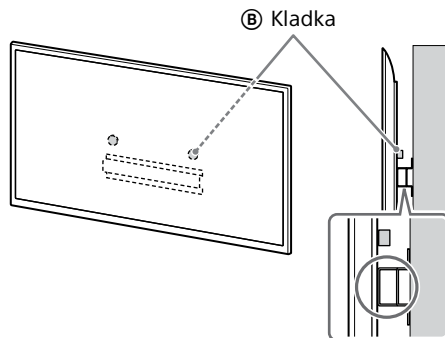
- Pro přepravu velkých televizorů či LCD monitorů je zapotřebí dvou nebo více osob (tři nebo více osob pro televizor či LCD monitor s rozměrem 189,3 cm (75 palců) a více) (kromě Egypta).

Pro přepravu velkých televizorů či LCD monitorů je zapotřebí dvou nebo více osob (tři nebo více osob pro televizor či LCD monitor s rozměrem 75 palců (189,3 cm) a více) (pouze Egypt).



1 Zvedněte televizor nebo LCD monitor.

- Ohledně umístění kladky (B) pro zavěšení na základnu (20) (A) nebo na adaptér základny (1) viz „Místo pro osazení adaptéru základny (1)“ na straně 19.
- Ujistěte se, že se zadní část televizoru nebo LCD monitoru dotýká základny (20) (A) nebo adaptéru základny (1), když nesou televizor nebo LCD monitor.

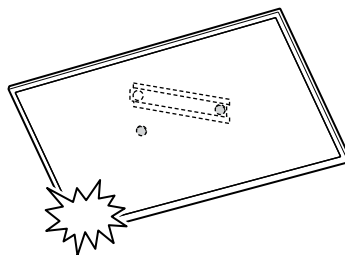


Poznámka

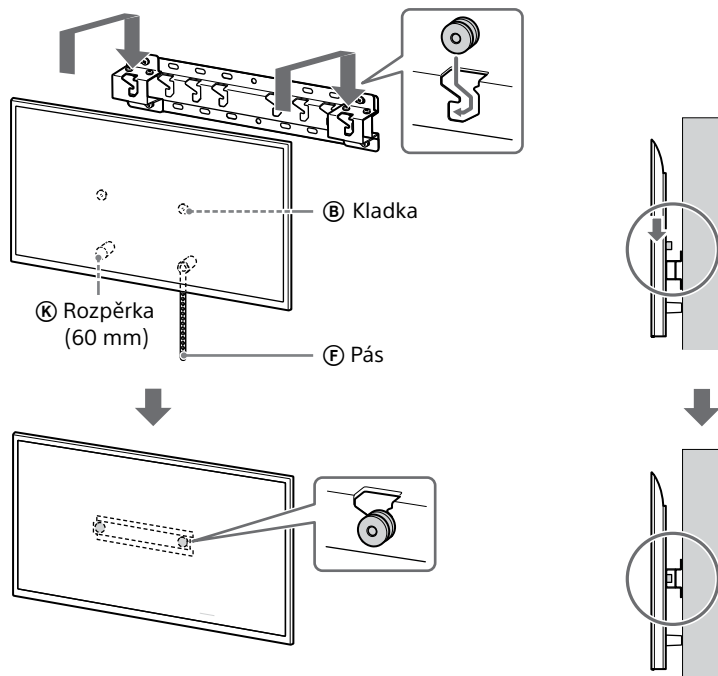
- Držte televizor nebo LCD monitor bezpečně oběma rukama.

2 Instalujte televizor nebo LCD monitor na základnu (20) (A) nebo adaptér základny (1).

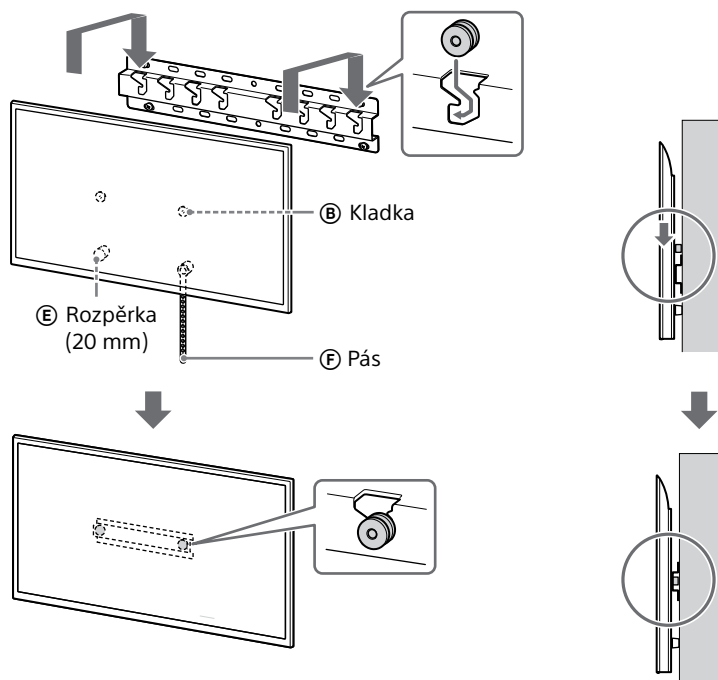
- Opatrně posuňte televizor nebo LCD monitor dolů a zavěste kladky (B) připojené k zadní části televizoru nebo LCD monitoru do základny (20) (A) nebo adaptéru základny (1) a zkontrolujte tvar otvorů.
- Po montáži televizoru nebo LCD monitoru na zeď zkontrolujte, zda jsou kladky (B) pevně zaklapnuty v základně (20) (A) nebo v adaptéru základny (1).
- Pomalu uvolněte obě ruce a ujistěte se, že nedojde k pádu televizoru nebo LCD monitoru.



Pokud se rozhodnete pro běžnou montáž (2-a):

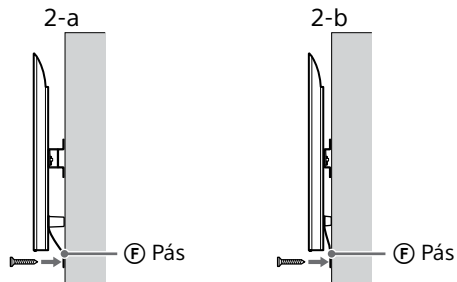


Pokud se rozhodnete pro montáž u stěny (2-b):



3 Zajistěte, aby se dolní část televizoru nebo LCD monitoru neposunovala.

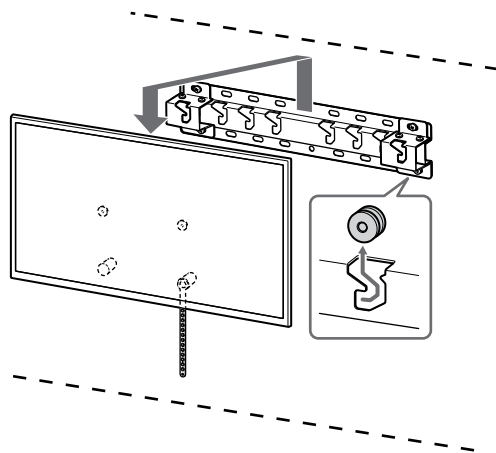
- Uchopte kus pásu (F) a pevně ho upevněte ke zdi.



- Použijte šroub o průměru 5 mm nebo ekvivalentní (není součástí balení).

Poznámka

- Zkuste opatrně zatáhnout za spodní stranu televizoru nebo LCD monitoru směrem k sobě a ujistěte se, že se nepohne kupředu. Pokud zjistíte jakýkoli posun výrobku, znamená to, že není řádně upevněn, a pás (F) je třeba znovu pevně utáhnout.



VAROVÁNÍ

- Pro přepravu velkých televizorů či LCD monitorů je zapotřebí dvou nebo více osob (tři nebo více osob pro televizor či LCD monitor s rozměrem 189,3 cm (75 palců) a více) (kromě Egypta).
Pro přepravu velkých televizorů či LCD monitorů je zapotřebí dvou nebo více osob (tři nebo více osob pro televizor či LCD monitor s rozměrem 75 palců (189,3 cm) a více) (pouze Egypt).

Potvrzení dokončení montáže

Zkontrolujte následující body.

- Kladky (B) jsou pevně zavěšeny na základně (20) (A) nebo na adaptéru základny (1).
- Šňůry ani kabely nejsou zkrouceny ani skřípnuty.
- Pás (F) je pevný, nikoli uvolněný.

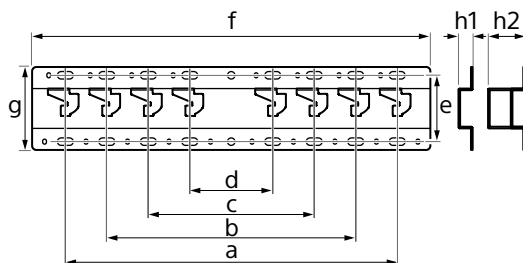
VAROVÁNÍ

- Nesprávné umístění napájecí šňůry atd. může způsobit požár nebo úraz elektrickým proudem v důsledku zkratu. Z bezpečnostních důvodů je třeba dokončení montáže potvrdit.

Další informace

Při demontáži televizoru nebo LCD monitoru proveďte uvedený postup v obráceném sledu.

Technické údaje



Rozměry: (přibl.) [mm]

- a : 400
- b : 300
- c : 200
- d : 100
- e : 80
- f : 480
- g : 100

- h1 : 20 (při montáži u stěny, 2-b)
- h2 : 60 (při běžné montáži, 2-a)

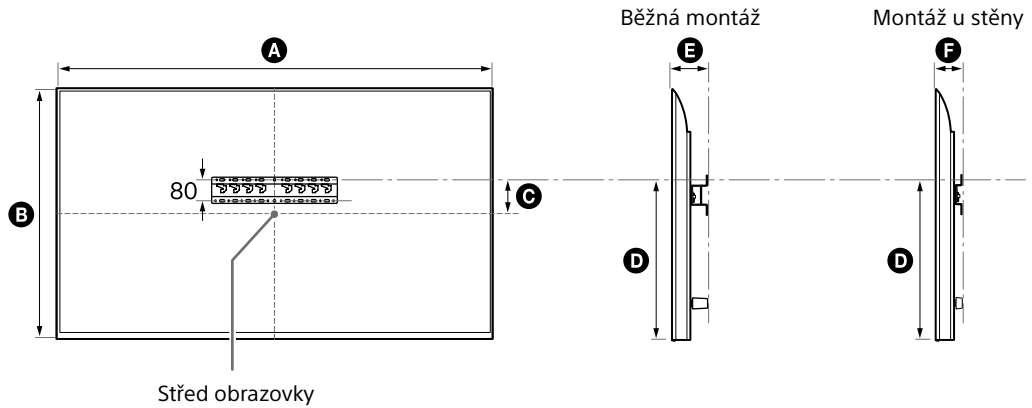
Hmotnost (pouze základna): (přibl.) [kg]
0,8

Vzhled a technické údaje se mohou bez předchozího upozornění změnit.

Referenční údaje

Měření pro montáž nástěnného držáku na zeď

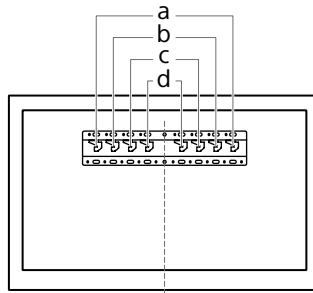
Hodnoty v tabulce se v závislosti na instalaci mohou mírně lišit.



(mm)

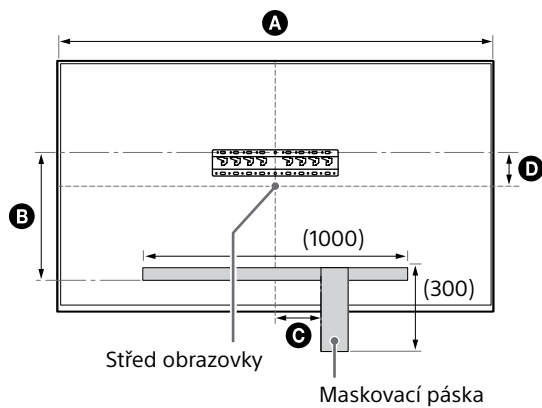
Název modelu	A	B	C	D	E	F
KD-85X81BL / 85X80L KM-85X80L	1901	1090	43	592	138	96
XR-85X90L XRM-85X90L	1891	1085	58	607	125	83
KD-75X85L KM-75X85L	1671	960	21	508	123	81
KD-75X81BL / 75X80L KM-75X80L	1675	962	12	493	137	95
XR-75X90L XRM-75X90L	1668	959	21	508	123	81
KD-65X85L / 65X85BL KM-65X85L	1447	832	85	505	123	81
KD-65X81BL / 65X80L KM-65X80L	1452	836	76	494	135	93
XR-65X90L XRM-65X90L	1445	831	85	505	123	81
KD-55X85L KM-55X85L	1228	709	146	505	122	81
KD-55X81BL / 55X80L KM-55X80L	1233	713	133	494	135	93
XR-55X90L XRM-55X90L	1225	707	146	505	122	81
KD-50X80L KM-50X80L	1119	649	63	392	133	91
KD-43X80L KM-43X80L	964	563	111	392	133	91

Místo pro osazení adaptéru základny ①



Název modelu	Umístění háku	Název modelu	Umístění háku
KD-85X81BL / 85X80L KM-85X80L XR-85X90L XRM-85X90L	a	KD-55X85L / 55X81BL / 55X80L KM-55X85L / 55X80L XR-55X90L XRM-55X90L	b
KD-75X85L / 75X81BL / 75X80L KM-75X85L / 75X80L XR-75X90L XRM-75X90L	b	KD-50X80L KM-50X80L	c
KD-65X85L / 65X85BL / 65X81BL / 65X80L KM-65X85L / 65X80L XR-65X90L XRM-65X90L	b	KD-43X80L KM-43X80L	c

Značky na zeď v místě montáže televizoru nebo LCD monitoru



(mm)

Název modelu	A	B	C	D
KD-85X81BL / 85X80L KM-85X80L	1901	472	200	43
XR-85X90L XRM-85X90L	1891	486	200	58
KD-75X85L KM-75X85L	1671	388	150	21
KD-75X81BL / 75X80L KM-75X80L	1675	373	150	12
XR-75X90L XRM-75X90L	1668	388	150	21

Informácie týkajúce sa používania montážnej konzoly na stenu Sony (SU-WL450)

Podporované modely*:

* V názvoch modelov označujú znaky „x“/„xx“ čísla alebo znaky špecifické pre jednotlivé modely.

KD-85X8xL / 85X8xBL / 75X8xL / 75X8xBL / 65X8xL / 65X8xBL / 55X8xL / 55X8xBL / 50X8xL / 43X8xL

KM-85X8xL / 75X8xL / 65X8xL / 55X8xL / 50X8xL / 43X8xL

XR-85X9xL / 75X9xL / 65X9xL / 55X9xL

XRM-85X9xL / 75X9xL / 65X9xL / 55X9xL

Pre zákazníkov

Z dôvodov ochrany produktu a bezpečnosti spoločnosť Sony odporúča, aby inštaláciu televízneho prijímača alebo LCD monitora vykonali predajcovia spoločnosti Sony alebo licencovaní dodávatelia. Nepokúšajte sa ho nainštalovať sami.

Pre predajcov a dodávateľov spoločnosti Sony

Počas inštalácie, pravidelnej údržby a kontroly tohto produktu venujte plnú pozornosť bezpečnosti.

Inštalácia tohto produktu vyžaduje adekvátne odborné znalosti. Obzvlášť je potrebné určiť, či je stena dostatočne pevná na to, aby udržala hmotnosť televízneho prijímača alebo LCD monitora. Pripevnenie tohto produktu na stenu zverte predajcom alebo licencovaným dodávateľom spoločnosti Sony a počas inštalácie venujte náležitú pozornosť bezpečnosti. Spoločnosť Sony nezodpovedá za žiadne škody ani zranenia spôsobené nevhodnou manipuláciou alebo nesprávnou inštaláciou.

Pre bezpečnosť a správnu inštaláciu postupujte podľa návodu na obsluhu montážnej konzoly na stenu, sprievodcu nastavením televízneho prijímača alebo LCD monitora a podľa pokynov v tomto návode.

Montážna konzola na stenu

Informácie o bezpečnosti

Ďakujeme vám za zakúpenie tohto produktu.

Pre zákazníkov

Montáž TV prijímača alebo LCD monitora na stenu



VÝSTRAHA

INŠTALÁCIU MUSÍ VYKONAŤ ODBORNÍK

Inštaláciu tohto výrobku musí vykonať odborný montér, ktorý je vyškolený, aby dokázal stanoviť únosnosť steny, či unesie hmotnosť televízneho prijímača alebo LCD monitora. Ak počas inštalácie nebude správne zaistený, televízny prijímač alebo LCD monitor môže spadnúť a spôsobiť vážne poranenie. Spoločnosť Sony nie je zodpovedná za žiadnu škodu ani poranenie spôsobené nesprávnou manipuláciou alebo nesprávnou inštaláciou či nainštalovaním iného než uvedeného výrobku. Vaše zákonné práva (ak nejaké máte) nie sú dotknuté.

Pre predajcov produktov spoločnosti Sony

Montáž tohto produktu vyžaduje adekvátne odborné znalosti. V záujme zaistenia bezpečnosti pri montáži si dôkladne prečítajte tento návod na použitie. Spoločnosť Sony nezodpovedá za žiadne škody ani zranenia spôsobené nevhodnou manipuláciou alebo nesprávnou montážou. Po montáži odovzdajte tento návod zákazníkovi.

V tomto návode na použitie je znázornená správna manipulácia s produktom a dôležité bezpečnostné pokyny, účelom ktorých je predísť nehodám. Je vašou zodpovednosťou prečítať si, dôkladne pochopiť a dodržiavať všetky pokyny uvedené v návode na použitie. Opomenutie môže mať za následok vážne poranenie osôb, alebo poškodenie majetku a dôjde k skončeniu platnosti záruky. Návod uschovajte pre budúce použitie.

Produkty od spoločnosti Sony boli navrhnuté s dôrazom na bezpečnosť. Ak sa však produkt používa nesprávne, môže to mať za následok vážne zranenie následkom požiaru, zásahu elektrickým prúdom, prevrhnutia výrobku alebo jeho pádu. Dodržiavajte bezpečnostné pokyny, aby sa podobným nehodám predišlo.

UPOZORNENIE

Špecifikované produkty

Táto montážna konzola na stenu je určená na použitie so špecifikovanými TV prijímačmi alebo LCD monitormi. Informácie o tom, či je možné montážnu konzolu na stenu použiť s TV prijímačom alebo LCD monitorom, nájdete v referenčnej príručke.

Pre zákazníkov

VÝSTRAHA

V prípade nedodržania bezpečnostných pokynov môže dôjsť k vážnemu zraneniu alebo smrti následkom požiaru, zásahu elektrickým prúdom alebo prevrhnutia výrobku.

Montáž zverte licencovanému dodávateľovi a dbajte na to, aby sa v blízkosti inštalácie nezdržiavali deti.

Ak sa montážna konzola na stenu alebo TV prijímač alebo LCD monitor nenamontuje správne, môže dôjsť k nasledujúcim nehodám. Montáž zverte licencovanému dodávateľovi.

- TV prijímač alebo LCD monitor by mohol spadnúť a spôsobiť vážne zranenia, napríklad modriny alebo zlomeniny.
- Ak je stena, na ktorú sa inštaluje montážna konzola na stenu, nestabilná, nerovná alebo nie je v pravom uhle s podlahou, jednotka môže spadnúť a spôsobiť zranenie alebo škody na majetku. Stena by mala udržať minimálne štvornásobok hmotnosti TV prijímača alebo LCD monitora. (Informácie o hmotnosti TV prijímača alebo LCD monitora nájdete v referenčnej príručke.)
- Ak nie je montážna konzola na stenu namontovaná dostatočne pevne, jednotka môže spadnúť a spôsobiť zranenie alebo škody na majetku.

Premiestňovanie alebo odmontovanie TV prijímača alebo LCD monitora zverte licencovanému dodávateľovi.

Ak TV prijímač alebo LCD monitor prenášajú alebo demontujú iné osoby ako licencovaní dodávateľia, môže spadnúť a spôsobiť zranenie alebo škody na majetku. Na prepravu veľkého TV prijímača alebo LCD monitora sú potrebné dve alebo viac osôb (tri alebo viac osôb pre 189,3 cm (75-palcový) a väčší TV prijímač alebo LCD monitor) (s výnimkou Egypta). Na prepravu veľkého TV prijímača alebo LCD monitora sú potrebné dve alebo viac osôb (tri alebo viac osôb pre 75-palcový (189,3 cm) a väčší TV prijímač alebo LCD monitor) (len Egypt).

Po namontovaní TV prijímača alebo LCD monitora neodstraňujte skrutky.

V opačnom prípade môže TV prijímač alebo LCD monitor spadnúť a spôsobiť zranenie alebo škody na majetku.

Časti montážnej konzoly na stenu neupravujte.

V opačnom prípade môže montážna konzola na stenu spadnúť a spôsobiť zranenie alebo škody na majetku.

Okrem špecifikovaných produktov nemontujte žiadne iné zariadenia.

Táto montážna konzola na stenu je určená na použitie iba so špecifikovanými produktmi. Ak na ňu namontujete iné zariadenie než je špecifikované, môže spadnúť alebo sa rozbiť a spôsobiť zranenie alebo škody na majetku.

Montážnu konzolu na stenu nezaťažujte ničím okrem TV prijímača alebo LCD monitora. TV prijímačom alebo LCD monitorom netraste doľava, doprava, nahor ani nadol.

V opačnom prípade môže TV prijímač alebo LCD monitor spadnúť a spôsobiť zranenie alebo škody na majetku.

O TV prijímač alebo LCD monitor sa neopierajte a nevešajte sa naň.

O TV prijímač alebo LCD monitor sa neopierajte a nevešajte sa naň, pretože by mohol na vás spadnúť a spôsobiť vážne zranenie.

UPOZORNENIE

Ak nebudete dodržiavať nasledujúce bezpečnostné pokyny, môže dôjsť k zraneniu alebo škodám na majetku.

- Nepoužité diely uschovajte na bezpečnom mieste, pre budúce použitie. Uschovajte ich mimo dosahu detí.

Počas čistenia alebo údržby netlačte na produkt nadmernou silou.

Netlačte nadmernou silou na hornú časť TV prijímača alebo LCD monitora. V opačnom prípade môže TV prijímač alebo LCD monitor spadnúť a spôsobiť zranenie alebo škody na majetku.

SK

Upozornenie

- Ak používate TV prijímač alebo LCD monitor namontovaný na montážnu konzolu na stenu dlhodobo, v závislosti od materiálu steny sa môže zmeniť farba steny za alebo nad TV prijímačom alebo LCD monitorom alebo sa môže odlepiť tapeta.
- Po demontáži montážnej konzoly na stenu ostanú v stene otvory na skrutky.
- Montážnu konzolu na stenu nemontujte na miesta, kde bude vystavená mechanickým vibráciám.

Montáž montážnej konzoly na stenu

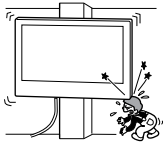
Pre predajcov produktov spoločnosti Sony

VÝSTRAHA

Nasledujúce pokyny sú určené len pre predajcov produktov spoločnosti Sony. Dôkladne si prečítajte bezpečnostné pokyny uvedené vyššie a počas montáže, údržby a kontroly tohto produktu venujte mimoriadnu pozornosť bezpečnosti.

Montážnu konzolu na stenu neinštalujte na povrch steny, kde budú rohy alebo strany TV prijímača alebo LCD monitora vyčnievať mimo povrchu steny.

Montážnu konzolu na stenu neinštalujte na povrch steny, napríklad na pilier, kde budú rohy alebo strany TV prijímača alebo LCD monitora vyčnievať mimo povrchu steny. Ak osoba alebo predmet narazí do vyčnievajúceho rohu alebo strany TV prijímača alebo LCD monitora, môže dôjsť k zraneniu alebo škodám na majetku.

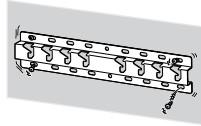


TV prijímač alebo LCD monitor nemontujte nad ani pod klimatizáciu.

Ak je TV prijímač alebo LCD monitor dlhodobo vystavený unikajúcej vode alebo prúdu vzduchu z klimatizácie, môže to mať za následok požiar, zásah elektrickým prúdom alebo poruchu TV prijímača alebo LCD monitora.

Montážnu konzolu na stenu namontujte bezpečne na stenu podľa nasledujúcich pokynov v tomto návode na použitie.

Ak sa ktorákoľvek zo skrutiek uvoľní alebo vypadne, montážna konzola na stenu môže spadnúť a spôsobiť zranenie alebo škody na majetku. Používajte skrutky vhodné pre materiál steny a jednotku namontujte pevne použitím štyroch alebo viacerých skrutiek s priemerom 8 mm (alebo ekvivalentných).



Používajte len dodané skrutky a upevňovacie diely riadne podľa pokynov uvedených v tomto návode na použitie. Ak použijete náhradné diely, TV prijímač alebo LCD monitor môže spadnúť a spôsobiť niekomu zranenie alebo sa môže TV prijímač alebo LCD monitor poškodiť.

Konzolu správne zostavte podľa postupu uvedeného v tomto návode na použitie.

Ak sa ktorákoľvek zo skrutiek uvoľní alebo vypadne, TV prijímač alebo LCD monitor môže spadnúť a spôsobiť niekomu zranenie alebo sa môže TV prijímač alebo LCD monitor poškodiť.

Skrutky pevne utiahnite na vyznačenom mieste.

Ak tak neurobíte, TV prijímač alebo LCD monitor môže spadnúť a spôsobiť niekomu zranenie alebo sa môže TV prijímač alebo LCD monitor poškodiť.

Počas montáže nevystavujte TV prijímač alebo LCD monitor nárazom.

TV prijímač alebo LCD monitor vystavený nárazu môže spadnúť alebo prasknúť. To môže spôsobiť zranenie.

TV prijímač alebo LCD monitor montujte na kolmú a rovnú stenu.

Ak tak neurobíte, TV prijímač alebo LCD monitor môže spadnúť a spôsobiť zranenie.

Po správnej montáži TV prijímača alebo LCD monitora pevne zaistite káble.

Ak sa do káblov zamotajú ľudia alebo predmety, môže dôjsť k zraneniu alebo poškodeniu TV prijímača alebo LCD monitora.

Zabráňte priškrípnutiu napájacieho alebo prepojavacieho kábla.

Keď je napájací alebo prepojovací kábel priškrípnutý medzi jednotkou a stenou alebo nasilu ohnutý alebo skrútený, môžu sa odhaliť vnútorné vodiče, čo môže spôsobiť skrat alebo prerušenie napájania. Mohlo by dôjsť k požiaru alebo zásahu elektrickým prúdom.



Skrutky potrebné na upevnenie montážnej konzoly k stene sa nedodávajú.

Na montáž montážnej konzoly na stenu použijete skrutky vhodné pre materiál a konštrukciu steny.

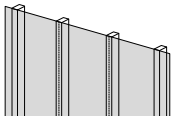
Skôr než začnete

- Obrázky TV prijímača alebo LCD monitora uvedené v tejto príručke sú príklady použité kvôli poskytnutiu jasných vysvetlení pre činnosti. Z tohto dôvodu sa obrázky môžu líšiť od skutočného TV prijímača alebo LCD monitora.

Z čoho je vaša stena skonštruovaná?

Najprv skontrolujte typ steny, na ktorú chcete nainštalovať televízny prijímač alebo LCD monitor.

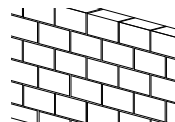
Sadrokartónová stena so stĺpikmi



Upozornenie

- Maximálna hrúbka sadrokartónovej steny: 16 mm.
- Rozmer vnútorných drevených stĺpikov musí byť aspoň 51 mm × 102 mm v prípade bežných alebo 38 mm × 89 mm v prípade úzkych.

Betónový panel a stena z betónových kvádrov



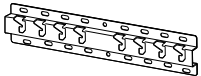







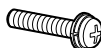
Upozornenie

- Montážnu konzolu na stenu nainštalujte priamo na stenu z betónového panela.
- Hrúbka steny z betónového panela musí byť aspoň 203 mm.
- Hrúbka každého betónového kvádra musí byť aspoň 203 mm × 203 mm × 406 mm.




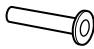

Kontrola dielov

Položky dodávané s montážnou konzolou na stenu SU-WL450

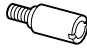
- Skontrolujte, či boli dodané všetky diely.

<p>Ⓐ Podstavec (20) (x1)</p> 	<p>Ⓑ Kladka (x2)</p> 	<p>Ⓒ Skrutka (+PSW 6 x 20) (x4)</p> 	<p>Ⓔ Dištančná vložka (20 mm) (x2)</p> 
<p>Ⓕ Remeň (x1)</p> 	<p>Ⓘ Adaptér podstavca (x2)</p> 	<p>Ⓙ Skrutka (+PSW 4 x 10) (x8)</p> 	<p>Ⓚ Dištančná vložka (60 mm) (x2)</p> 
<p>Ⓛ Skrutka (+PSW 6 x 50) (x2)</p> 			

- Je možné, že sa tieto časti pre váš model nepoužijú.

<p>Ⓓ Skrutka (+PSW 4 x 20) s vložkou (x2)</p> 	<p>Ⓞ Vložka (20) (M4) (x2)</p> 	<p>Ⓚ Skrutka (+PSW 4 x 20) (x2)</p> 	<p>Ⓜ Vložka (M4) (x2)</p> 
<p>Ⓝ Skrutka (+PSW 4 x 50) (x2)</p> 			



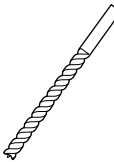
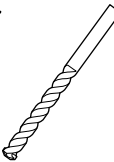
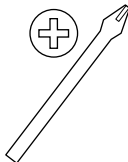
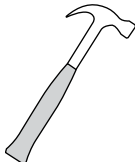
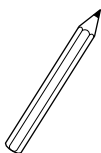
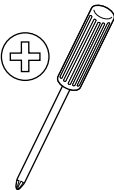
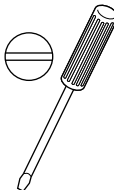
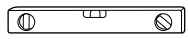




Položky dodávané s TV prijímačom alebo LCD monitorom

<p>Nadstavec pre montáž na stenu VS (x4)*</p> 
--

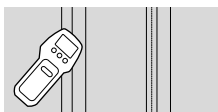
- * Len pre obmedzenú oblasť/krajinu/obmedzený model.

Príprava na montáž

- Pred inštaláciou si pripravte referenčnú príručku a sprievodcu nastavením televízneho prijímača alebo LCD monitora.
- Stanovte montážnu polohu TV prijímača alebo LCD monitora.
- Pripravte si štyri alebo viac skrutiek s priemerom 8 mm a jednu skrutku s priemerom 5 mm alebo ekvivalentné skrutky (nedodávajú sa). Vyberte skrutky vhodné pre materiál steny.
- Pripravte si nasledujúce náradie:

*1			 5,5 mm	 10 mm	
*2			 1,5 N·m {15 kgf·cm}	*3	 1,5 N·m {15 kgf·cm}
	*2	 (x4)	 (x4) 8 mm × 60 mm	 5 mm	
*4					

*1 Len v prípade sadrokartónovej steny so stípkami



*2 Len v prípade betónového panela a steny z betónových kvádrov

*3 V závislosti od modelu

*4 Len pre TV prijímač alebo LCD monitor nad 189,3 cm (75 palcov) (s výnimkou Egypta)
Len pre TV prijímač alebo LCD monitor nad 75 palcov (189,3 cm) (len Egypt)

Inštalácia montážnej konzoly na stenu na stenu

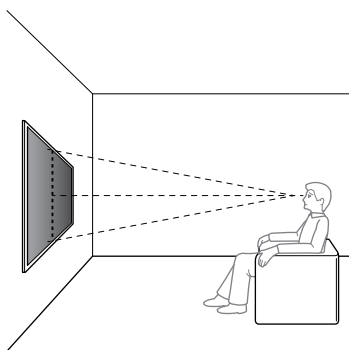
1 Určte miesto montáže.

Uistite sa, že je stena pre televízny prijímač alebo LCD monitor dostatočne priestraná a má nosnosť minimálne štvornásobku hmotnosti televízneho prijímača alebo LCD monitora.

Informácie o hmotnosti TV prijímača alebo LCD monitora nájdete v referenčnej príručke TV prijímača alebo LCD monitora.

Poznámka

- Keď je televízny prijímač alebo LCD monitor nainštalovaný na stene, horný okraj televízneho prijímača alebo LCD monitora je mierne naklonený dopredu.
- Odporúčame vám skontrolovať polohu televízneho prijímača alebo LCD monitora v prostredí, kde ho budete pozeráť.



2 Typ montáže na stenu vyberte tak, ako je to znázornené nižšie.

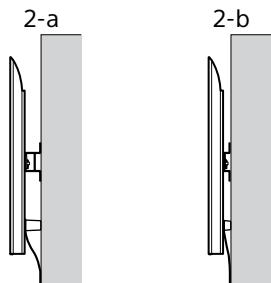
2-a: Štandardná montáž

2-b: Montáž s krátkou vzdialenosťou

- Pozrite si „Meranie pri inštalácii montážnej konzoly na stenu“ na strane 18.

VÝSTRAHA

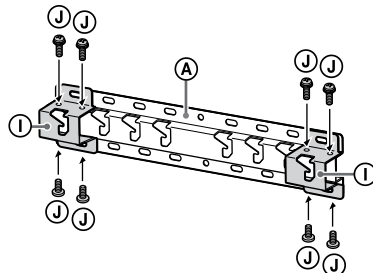
- Ak vyberiete spôsob 2-b, prístup k zadným koncovkám bude obmedzený.



3 Pri voľbe štandardnej montáže (2-a):

Pripevnite adaptér podstavca ① pomocou skrutky (+PSW 4 × 10) ② k podstavcu (20) ③.

- Pozrite si „Vhodné umiestnenie adaptéra podstavca ①“ na strane 19.



Pr., montáž adaptéra podstavca ① na mieste „a“

Pri voľbe montáže s krátkou vzdialenosťou (2-b):

Preskočte tento krok.

4 Určte pozíciu skrutiek na montáž podstavca (20) ③.

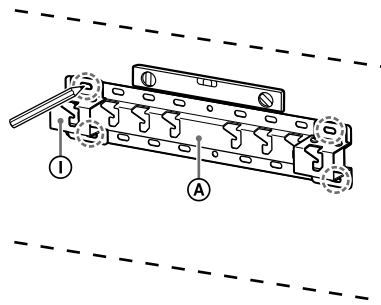
- Pozrite si „Technické údaje“ na strane 17.

VÝSTRAHA

- Určte pevnosť steny, na ktorej bude TV prijímač alebo LCD monitor namontovaný. V prípade potreby stenu dostatočne spevnite.
- Stena, na ktorej bude TV prijímač alebo LCD monitor namontovaný, by mala udržať minimálne **štvornásobok** hmotnosti TV prijímača alebo LCD monitora. (Informácie o hmotnosti TV prijímača alebo LCD monitora nájdete v referenčnej príručke.)

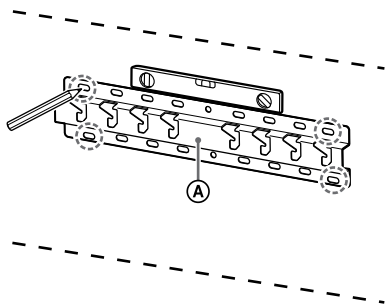
Pri voľbe štandardnej montáže (2-a):

Použite pozície otvorov na adaptéri podstavca ①.



Pr., označenie na mieste „a“ tak, aby vyhovovalo podstavcu (20) ③

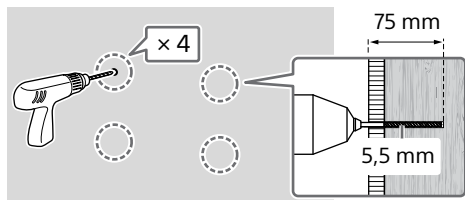
Pri voľbe montáže s krátkou vzdialenosťou (2-b):



Pr., označenie na mieste „a“ tak, aby vyhovovalo podstavcu (20) A

- 5 Do značiek vyvrtajte otvory.**
Uistite sa, že miesto na stene na vyvrtanie dier je dostatočne pevné na to, aby unieslo hmotnosť najmenej štyrikrát väčšiu ako hmotnosť TV prijímača alebo LCD monitora.

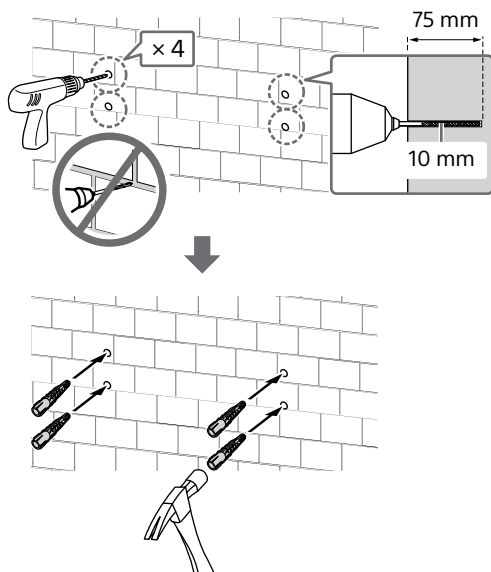
Vrtanie do sadrokartónovej steny so stávkami:



Poznámka

- Vodiace otvory treba vyvrtávať do hĺbky 75 mm; použite na to vrták s priemerom 5,5 mm.

Vrtanie do betónového panela a steny z betónových kvádrov:



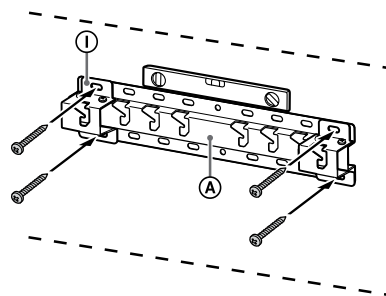
- 6 Namontujte podstavec (20) A na stenu pomocou vhodných skrutiek (nedodávajú sa).**

Poznámka

- Použite minimálne štyri skrutky s priemerom 8 mm alebo ekvivalentné skrutky (nedodávajú sa).
- Pomocou vodováhy skontrolujte, či je podstavec (20) A vo vodorovnej polohe.

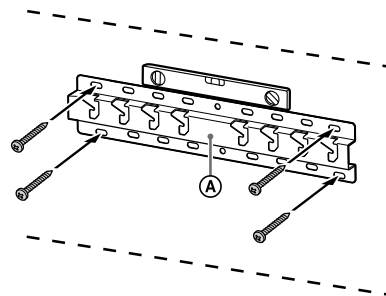
Pri voľbe štandardnej montáže (2-a):

Vložte štyri skrutky do otvorov na adaptéri podstavca 1 s podstavcom (20) A.



Pr., montáž podstavca (20) A na mieste „a“

Pri voľbe montáže s krátkou vzdialenosťou (2-b):



Pr., montáž podstavca (20) A na mieste „a“

- 7 Len KD-85X8xL / 85X8xBL / 75X8xL / 75X8xBL, KM-85X8xL / 75X8xL, XR-85X9xL / 75X9xL, XRM-85X9xL / 75X9xL**

Označte miesto inštalácie na stenu.

Použite kryciu pásku a pod. (nedodáva sa) na označenie umiestnenia televízneho prijímača alebo LCD monitora v blízkosti podstavca (20) A alebo adaptéra podstavca 1.

- Pozrite si „Označenie na stene pre miesto inštalácie TV prijímača alebo LCD monitora“ na strane 20.

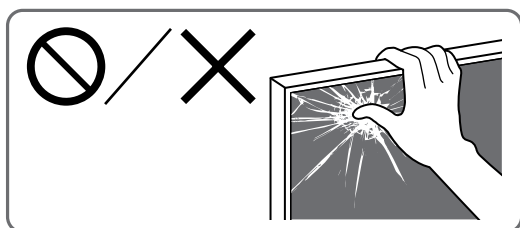
SK

Okrem modelov KD-85X8xL / 85X8xBL / 75X8xL / 75X8xBL, KM-85X8xL / 75X8xL, XR-85X9xL / 75X9xL, XRM-85X9xL / 75X9xL Preskočte tento krok.

Príprava na montáž TV prijímača alebo LCD monitora

Poznámka

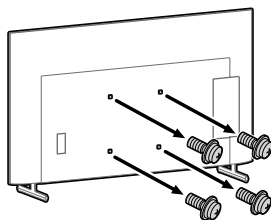
- Odstránené skrutky a nepoužité časti odložte na bezpečnom mieste mimo dosahu detí.



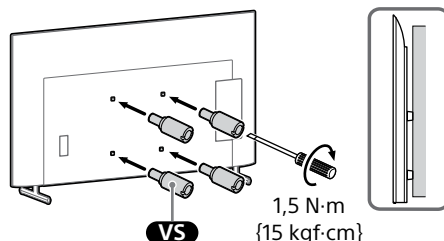
1 Pripevnite stolový stojan tak, aby TV prijímač alebo LCD monitor stál.

- Pozrite si sprievodcu nastavením TV prijímača alebo LCD monitora.

2 Odskrutkujte skrutky zo zadnej časti TV prijímača alebo LCD monitora.



3 Pripevnite nástavec pre montáž na stenu **VS** (dodaný s televíznym prijímačom alebo LCD monitorom) na zadnú časť televízneho prijímača alebo LCD monitora (aby bol rovnobežne so stenou).



Poznámka

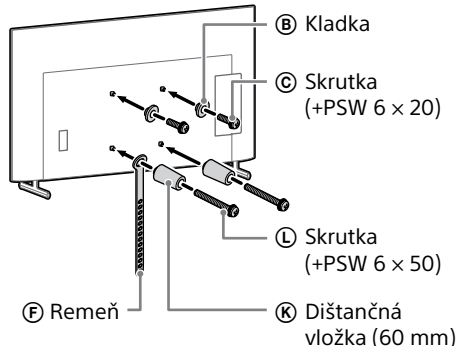
- Uistite sa, že nadstavec pre montáž na stenu **VS** je dotiahnutý, keď ho pripájate k TV prijímaču alebo LCD monitoru.
- Pri montáži nadstavca pre montáž na stenu **VS** používajte len plochý skrutkovač. Použitie iného nástroja by mohlo viesť k nadmernému utiahnutiu nadstavca pre montáž na stenu **VS** a poškodeniu TV prijímača alebo LCD monitora.

4 Pripevnite upevňovacie časti montážnej konzoly na stenu. Skontrolujte upevňovacie časti podľa časti „Položky dodávané s montážnou konzolou na stenu SU-WL450“ v „Kontrola dielov“ na strane 6.

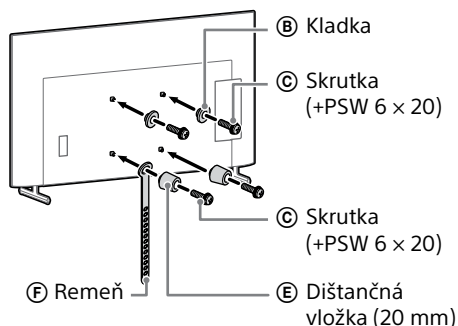
Poznámka

- Pevne zaistite upevňovacie časti pomocou skrutiek.
- Ak používate elektrický skrutkovač, krútiaci moment nastavte na približne 1,5 N·m {15 kgf·cm}.

Pri voľbe štandardnej montáže (2-a):



Pri voľbe montáže s krátkou vzdialenosťou (2-b):



5 Pripojte k TV prijímaču alebo LCD monitoru potrebné káble.

Káble pripojte pred montážou TV prijímača alebo LCD monitora na stenu. Po montáži TV prijímača alebo LCD monitora k nemu nebude možné káble pripojiť.

Poznámka

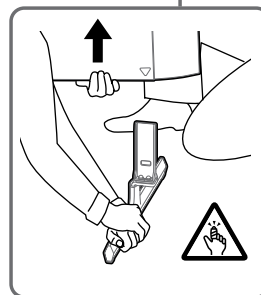
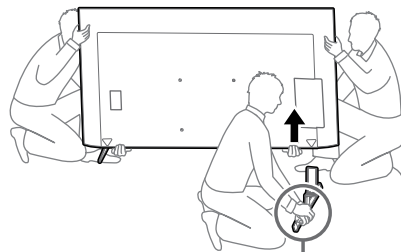
- Kabeláž v stene zverte licencovanému dodávateľovi.
- Pripojné káble zviažte, aby na ne niekto pred montážou na stenu nestúpil.

6 Odmontujte stolový stojan od TV prijímača alebo LCD monitora.

Nasledujúci obrázok je príkladom prevedenia.

Okrem modelov KD-75X85L / 65X85L / 65X85BL / 55X85L, KM-75X85L / 65X85L / 55X85L, XR-85X90L / 75X90L / 65X90L / 55X90L, XRM-85X90L / 75X90L / 65X90L / 55X90L

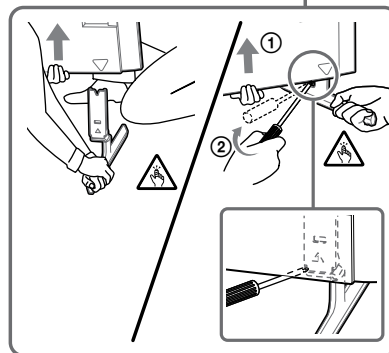
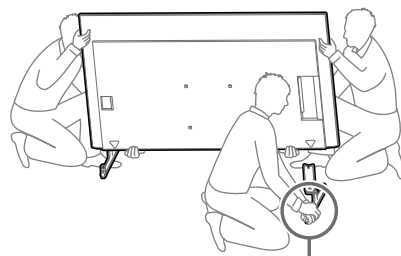
- Stolový stojan odmontujte tak, že najskôr odmontujete jednu stranu, potom druhú. Pevne držte stolový stojan bezpečne oboma rukami, kým ďalšie osoby zdvíhajú televízny prijímač alebo LCD monitor.



- Zopakujte predchádzajúci krok a odmontujte druhú stranu stolového stojana.

Len KD-75X85L / 65X85L / 65X85BL / 55X85L, KM-75X85L / 65X85L / 55X85L

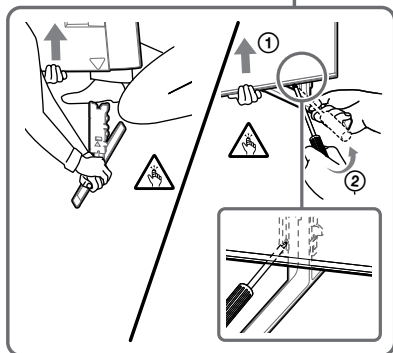
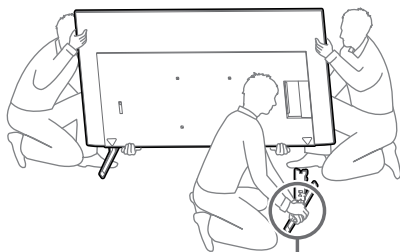
- Stolový stojan odmontujte tak, že najskôr odmontujete jednu stranu, potom druhú. Pevne držte stolový stojan bezpečne oboma rukami, kým ďalšie osoby zdvíhajú televízny prijímač alebo LCD monitor.



- Zopakujte predchádzajúci krok a odmontujte druhú stranu stolového stojana.

Len XR-85X90L / 75X90L / 65X90L /
55X90L, XRM-85X90L / 75X90L / 65X90L /
55X90L

- Stolový stojan odmontujte tak, že najskôr odmontujete jednu stranu, potom druhú. Pevne držte stolový stojan bezpečne oboma rukami, kým ďalšie osoby zdvíhajú televízny prijímač alebo LCD monitor.



- Zopakujte predchádzajúci krok a odmontujte druhú stranu stolového stojana.

Poznámka

- Na odpojenie stolového stojana sú potrební traja alebo viacerí ľudia.
- Dbajte na to, aby ste pri odpájaní stolového stojana od televízneho prijímača alebo LCD monitora nepoužívali nadmernú silu, pretože by mohlo dôjsť k pádu televízneho prijímača alebo LCD monitora, čo by mohlo spôsobiť zranenie osôb alebo poškodenie televízneho prijímača alebo LCD monitora.
- Pri manipulácii so stolovým stojanom buďte opatrní, aby nedošlo k poškodeniu televízneho prijímača alebo LCD monitora.
- Buďte opatrní, keď dvíhate televízny prijímač alebo LCD monitor pri odpájaní stolového stojana – stolový stojan sa môže prevrhnúť a spôsobiť zranenie.
- Pri demontáži stolového stojana z televízneho prijímača alebo LCD monitora buďte opatrní, aby nedošlo k jeho prevrhnutiu a poškodeniu povrchu, na ktorom je televízny prijímač alebo LCD monitor postavený.

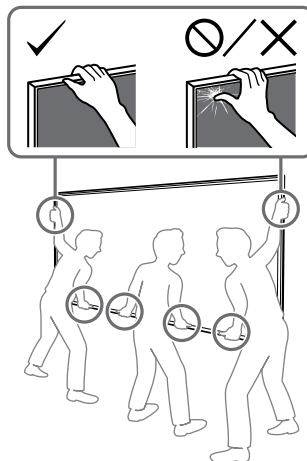
Montáž TV prijímača alebo LCD monitora na stenu

Len KD-85X8xL / 85X8xBL /
75X8xL / 75X8xBL, KM-85X8xL /
75X8xL, XR-85X9xL / 75X9xL,
XRM-85X9xL / 75X9xL

VÝSTRAHA

- Na prepravu veľkého TV prijímača alebo LCD monitora sú potrebné dve alebo viac osôb (tri alebo viac osôb pre 189,3 cm (75-palcový) a väčší TV prijímač alebo LCD monitor) (s výnimkou Egypta).

Na prepravu veľkého TV prijímača alebo LCD monitora sú potrebné dve alebo viac osôb (tri alebo viac osôb pre 75-palcový (189,3 cm) a väčší TV prijímač alebo LCD monitor) (len Egypt).



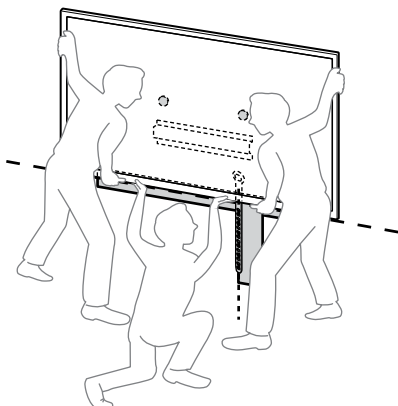
1 Zdvihnite televízny prijímač alebo LCD monitor.

- Umiestnenie kladky ⑥ na zavesenie na podstavec (20) ④ alebo adaptér podstavca ① nájdete v časti „Vhodné umiestnenie adaptéra podstavca ①“ na strane 19.
- Uistite sa, že zadná strana televízneho prijímača alebo LCD monitora sa dotýka podstavca (20) ④ alebo adaptéra podstavca ①, keď držíte televízny prijímač alebo LCD monitor.

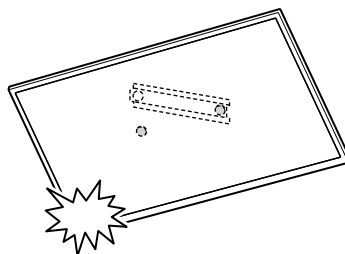
Poznámka

- Pevne držte televízny prijímač alebo LCD monitor oboma rukami a uistite sa, že remeň ⑥ a spodná časť televízneho prijímača alebo LCD monitora sú zároveň s krycou páskou.

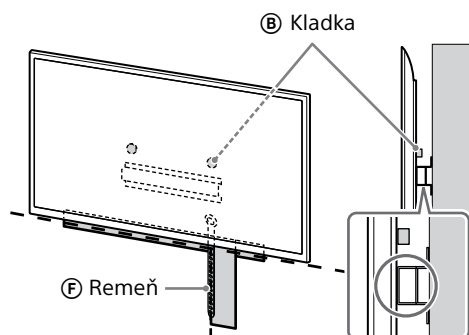
- Televízny prijímač alebo LCD monitor nech držia traja ľudia a osoba, ktorá je pred televíznym prijímačom alebo LCD monitorom, nech riadi ostatných pri nastavovaní polohy.



- Pomaly uvoľnite obe ruky a uistite sa, že televízny prijímač alebo LCD monitor nespadne.



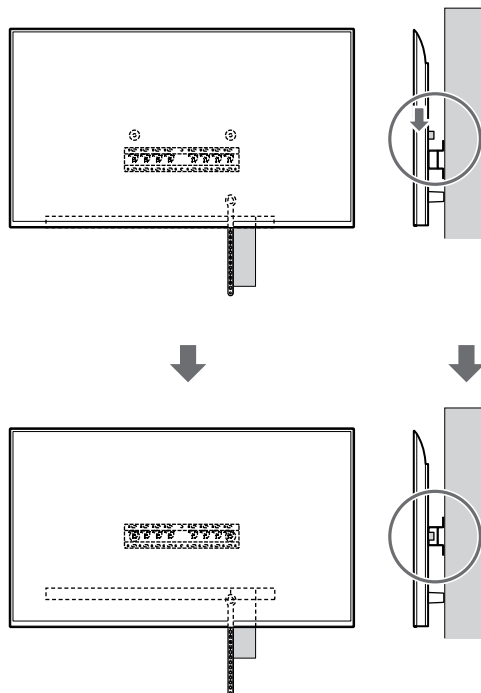
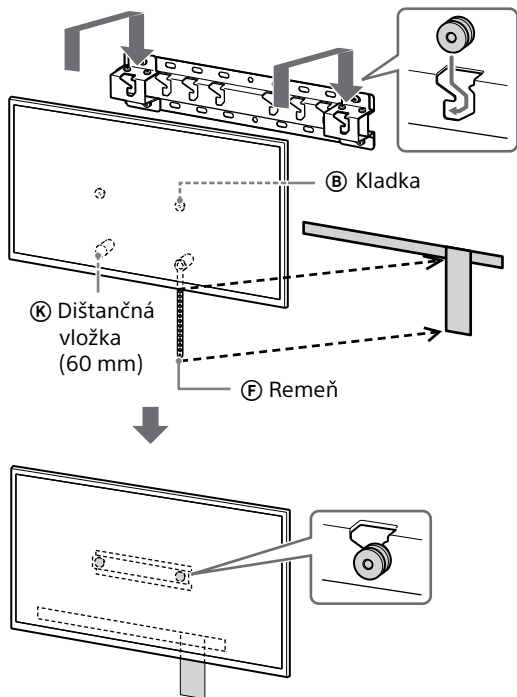
- Pri inštalácii televízneho prijímača alebo LCD monitora na stenu buďte veľmi opatrní, hlavne pokiaľ ide o osobu, ktorá pridrižiava televízny prijímač alebo LCD monitor odspodu, lebo televízny prijímač alebo LCD monitor môže spadnúť a spôsobiť vážne zranenie alebo dokonca smrť.



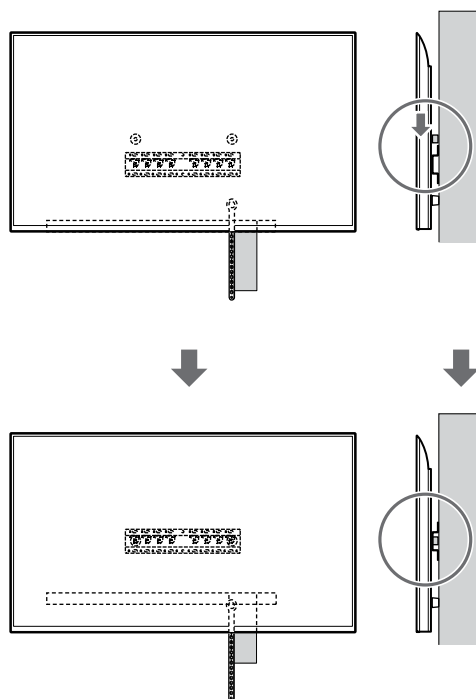
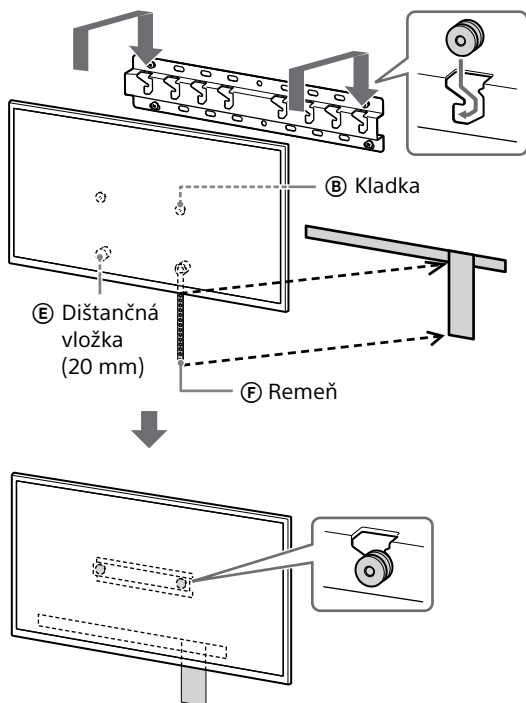
2 Namontujte televízny prijímač alebo LCD monitor na podstavec (20) (A) alebo adaptér podstavca (I).

- Jemne spusťte televízny prijímač alebo LCD monitor a zaveste kladky (B) pripojené k zadnej časti televízneho prijímača alebo LCD monitora na podstavec (20) (A) alebo adaptér podstavca (I), pričom sa presvedčte o tvare otvorov.
- Po inštalácii TV prijímača alebo LCD monitora na stenu overte, či sú kladky (B) pevne pripevnené k podstavcu (20) (A) alebo adaptéru podstavca (I).

Pri voľbe štandardnej montáže (2-a):

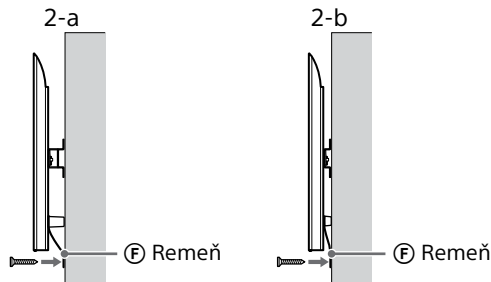


Pri voľbe montáže s krátkou vzdialenosťou (2-b):



3 Zabrňte zdvihnutiu spodnej časti TV prijímača alebo LCD monitora.

- Napnite remeň (F) a pevne ho pripevnite k stene.



- Použite skrutku s priemerom 5 mm alebo ekvivalentnú skrutku (nedodáva sa).

Poznámka

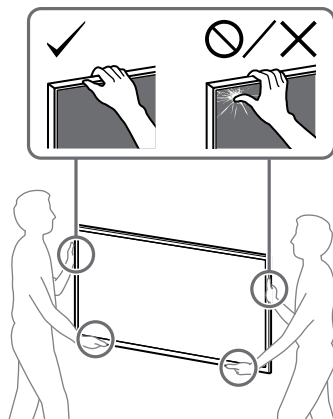
- Pokúste sa mierne pritiahnúť spodnú časť TV prijímača alebo LCD monitora k sebe, aby ste sa uistili, že sa nepohne dopredu. Ak sa pohne, nie je upevnený správne a remeň (F) je potrebné znova pevne zaistiť.

Okrem modelov KD-85X8xL / 85X8xBL / 75X8xL / 75X8xBL, KM-85X8xL / 75X8xL, XR-85X9xL / 75X9xL, XRM-85X9xL / 75X9xL

VÝSTRAHA

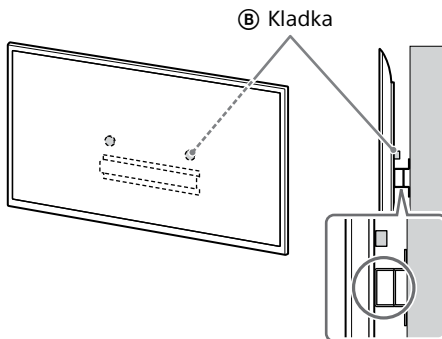
- Na prepravu veľkého TV prijímača alebo LCD monitora sú potrebné dve alebo viac osôb (tri alebo viac osôb pre 189,3 cm (75-palcový) a väčší TV prijímač alebo LCD monitor) (s výnimkou Egypta).

Na prepravu veľkého TV prijímača alebo LCD monitora sú potrebné dve alebo viac osôb (tri alebo viac osôb pre 75-palcový (189,3 cm) a väčší TV prijímač alebo LCD monitor) (len Egypt).



1 Zdvihnite televízny prijímač alebo LCD monitor.

- Umiestnenie kladky (B) na zavesenie na podstavec (20) (A) alebo adaptér podstavca (1) nájdete v časti „Vhodné umiestnenie adaptéra podstavca (1)“ na strane 19.
- Uistite sa, že zadná strana televízneho prijímača alebo LCD monitora sa dotýka podstavca (20) (A) alebo adaptéra podstavca (1), keď držíte televízny prijímač alebo LCD monitor.

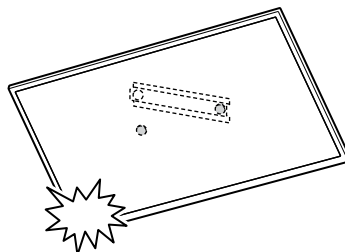


Poznámka

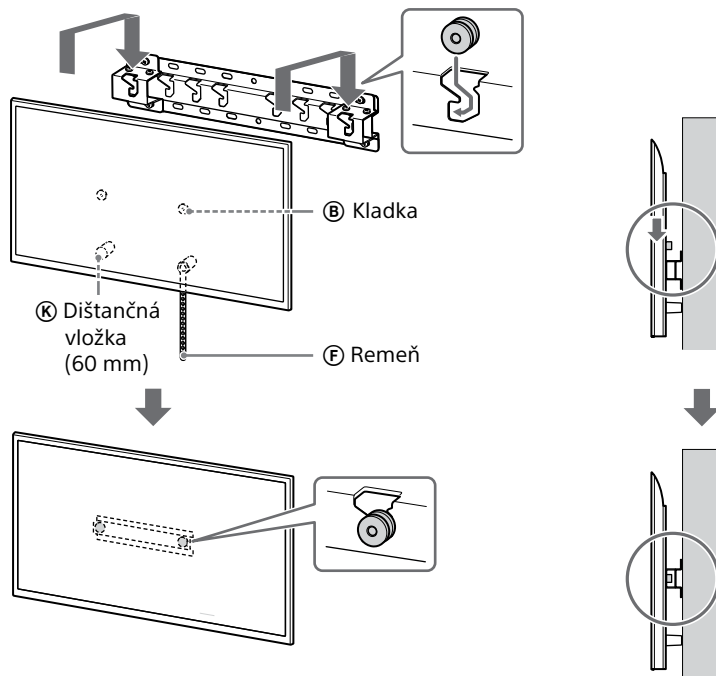
- Pevne držte televízny prijímač alebo LCD monitor oboma rukami.

2 Namontujte televízny prijímač alebo LCD monitor na podstavec (20) (A) alebo adaptér podstavca (1).

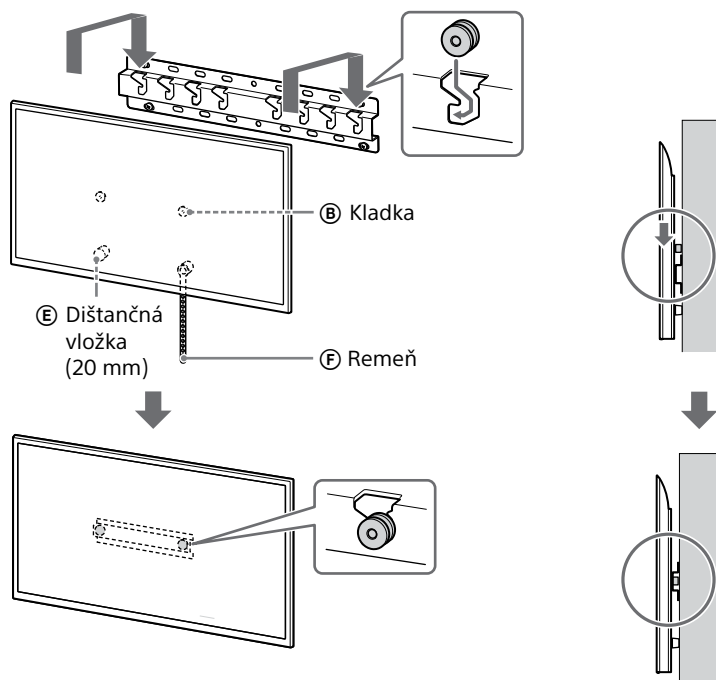
- Jemne spustte televízny prijímač alebo LCD monitor a zaveste kladky (B) pripojené k zadnej časti televízneho prijímača alebo LCD monitora na podstavec (20) (A) alebo adaptér podstavca (1), pričom sa presvedčte o tvare otvorov.
- Po inštalácii TV prijímača alebo LCD monitora na stenu overte, či sú kladky (B) pevne pripevnené k podstavcu (20) (A) alebo adaptéru podstavca (1).
- Pomaly uvoľnite obe ruky a uistite sa, že televízny prijímač alebo LCD monitor nespadne.



Pri voľbe štandardnej montáže (2-a):

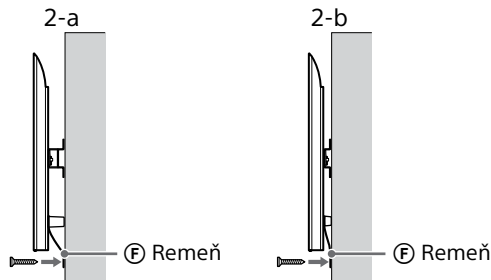


Pri voľbe montáže s krátkou vzdialenosťou (2-b):



3 Zabraňte zdvihnutiu spodnej časti TV prijímača alebo LCD monitora.

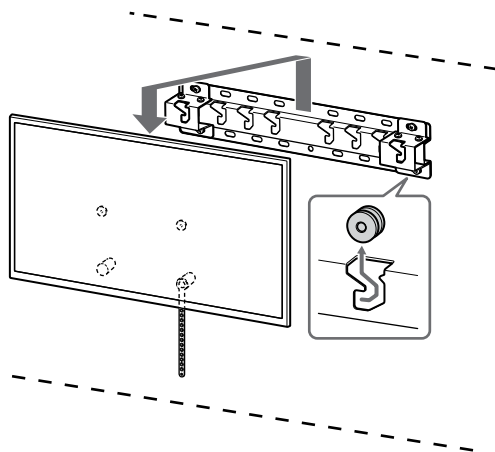
- Napnite remeň (F) a pevne ho pripevnite k stene.



- Použite skrutku s priemerom 5 mm alebo ekvivalentnú skrutku (nedodáva sa).

Poznámka

- Pokúste sa mierne pritiahnúť spodnú časť TV prijímača alebo LCD monitora k sebe, aby ste sa uistili, že sa nepohne dopredu. Ak sa pohne, nie je upevnený správne a remeň (F) je potrebné znova pevne zaistiť.



VÝSTRAHA

- Na prepravu veľkého TV prijímača alebo LCD monitora sú potrebné dve alebo viac osôb (tri alebo viac osôb pre 189,3 cm (75-palcový) a väčší TV prijímač alebo LCD monitor) (s výnimkou Egypta).
Na prepravu veľkého TV prijímača alebo LCD monitora sú potrebné dve alebo viac osôb (tri alebo viac osôb pre 75-palcový (189,3 cm) a väčší TV prijímač alebo LCD monitor) (len Egypt).

Kontrola dokončenej montáže

Skontrolujte nasledujúce:

- Kladky (B) pevne visia na podstavci (20) (A) alebo adaptéri podstavca (1).
- Káble nie sú skrútené a priškripané.
- Remeň (F) je pevne napnutý.

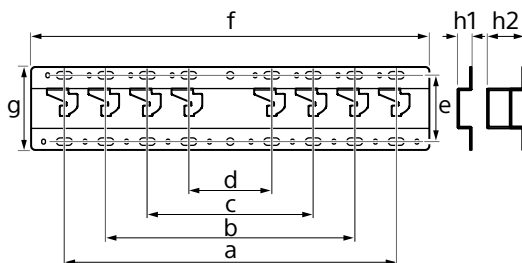
VÝSTRAHA

- Nesprávne umiestnenie napájacieho kábla môže zapríčiniť požiar alebo zásah elektrickým prúdom spôsobený skratom. Z dôvodu bezpečnosti nezabudnite skontrolovať kompletnosť montáže.

Ďalšie informácie

Pri demontáži TV prijímača alebo LCD monitora zopakujte postup montáže v opačnom poradí.

Technické údaje



Rozmery: (pribl.) [mm]

a : 400
b : 300
c : 200
d : 100
e : 80
f : 480
g : 100

h1 : 20 (pre montáž s krátkou vzdialenosťou, 2-b)

h2 : 60 (pre štandardnú montáž, 2-a)

Hmotnosť (len podstavec): (pribl.) [kg]
0,8

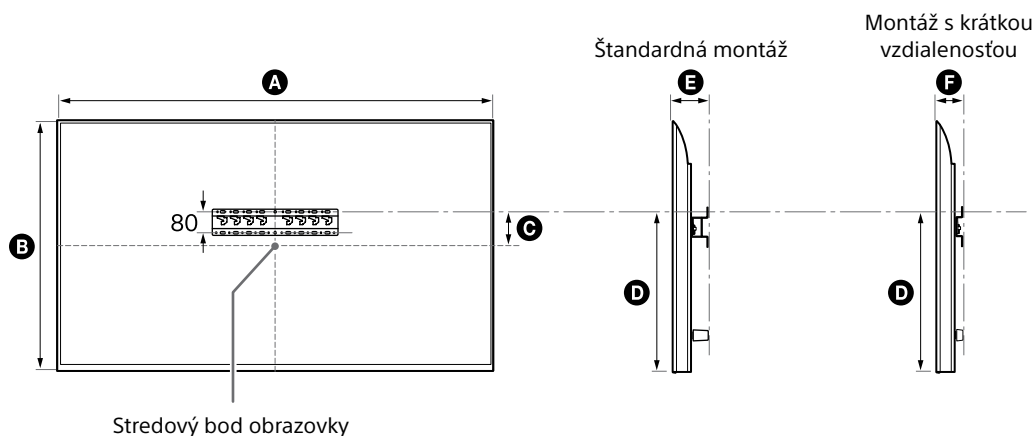
Dizajn a technické údaje sa môžu zmeniť bez upozornenia.

SK

Referencie

Meranie pri inštalácii montážnej konzoly na stenu

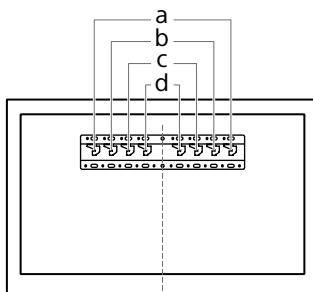
Čísla v tabuľke sa môžu v závislosti od inštalácie mierne líšiť.



(mm)

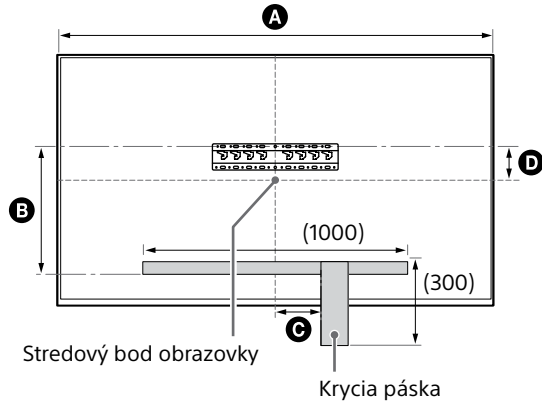
Názov modelu	A	B	C	D	E	F
KD-85X81BL / 85X80L KM-85X80L	1901	1090	43	592	138	96
XR-85X90L XRM-85X90L	1891	1085	58	607	125	83
KD-75X85L KM-75X85L	1671	960	21	508	123	81
KD-75X81BL / 75X80L KM-75X80L	1675	962	12	493	137	95
XR-75X90L XRM-75X90L	1668	959	21	508	123	81
KD-65X85L / 65X85BL KM-65X85L	1447	832	85	505	123	81
KD-65X81BL / 65X80L KM-65X80L	1452	836	76	494	135	93
XR-65X90L XRM-65X90L	1445	831	85	505	123	81
KD-55X85L KM-55X85L	1228	709	146	505	122	81
KD-55X81BL / 55X80L KM-55X80L	1233	713	133	494	135	93
XR-55X90L XRM-55X90L	1225	707	146	505	122	81
KD-50X80L KM-50X80L	1119	649	63	392	133	91
KD-43X80L KM-43X80L	964	563	111	392	133	91

Vhodné umiestnenie adaptéra podstavca ①



Názov modelu	Umiestnenie háka	Názov modelu	Umiestnenie háka
KD-85X81BL / 85X80L KM-85X80L XR-85X90L XRM-85X90L	a	KD-55X85L / 55X81BL / 55X80L KM-55X85L / 55X80L XR-55X90L XRM-55X90L	b
KD-75X85L / 75X81BL / 75X80L KM-75X85L / 75X80L XR-75X90L XRM-75X90L	b	KD-50X80L KM-50X80L	c
KD-65X85L / 65X85BL / 65X81BL / 65X80L KM-65X85L / 65X80L XR-65X90L XRM-65X90L	b	KD-43X80L KM-43X80L	c

Označenie na stene pre miesto inštalácie TV prijímača alebo LCD monitora



(mm)

Názov modelu	A	B	C	D
KD-85X81BL / 85X80L KM-85X80L	1901	472	200	43
XR-85X90L XRM-85X90L	1891	486	200	58
KD-75X85L KM-75X85L	1671	388	150	21
KD-75X81BL / 75X80L KM-75X80L	1675	373	150	12
XR-75X90L XRM-75X90L	1668	388	150	21

Informații de instalare pentru utilizarea dispozitivului de montare pe perete Sony (SU-WL450)

Modele acceptate*:

* Pentru numele modelului actual, „x”/„xx” indică numărul și/sau caracterele specifice pentru fiecare model.

KD-85X8xL / 85X8xBL / 75X8xL / 75X8xBL / 65X8xL / 65X8xBL / 55X8xL / 55X8xBL / 50X8xL / 43X8xL

KM-85X8xL / 75X8xL / 65X8xL / 55X8xL / 50X8xL / 43X8xL

XR-85X9xL / 75X9xL / 65X9xL / 55X9xL

XRM-85X9xL / 75X9xL / 65X9xL / 55X9xL

Pentru clienți

Pentru protecția produsului și din motive de siguranță, Sony recomandă insistent ca instalarea televizorului sau a monitorului LCD să fie efectuată de distribuitori sau contractori licențiați de Sony. Nu încercați să îl instalați personal.

Pentru distribuitorii și contractorii Sony

Acordați atenție totală siguranței în timpul instalării, întreținerii periodice și examinării acestui produs.

Este necesară o experiență suficientă pentru instalarea acestui produs, mai ales pentru a determina rezistența peretelui pentru susținerea greutății televizorului sau monitorului LCD. Încredințați fixarea pe perete a acestui produs distribuitorilor sau contractorilor licențiați Sony și acordați o atenție adecvată siguranței în timpul instalării. Sony nu este responsabilă pentru niciun fel de daune materiale sau vătămări corporale determinate de manipularea eronată sau de instalarea inadecvată.

Pentru instalarea corectă și în siguranță, respectați instrucțiunile de utilizare a dispozitivului de montare pe perete, ghidul de configurare a televizorului sau monitorului LCD și instrucțiunile din prezentul manual.

Dispozitiv de montare pe perete

Despre siguranță

Vă mulțumim pentru achiziționarea acestui produs.

Pentru clienți

Montarea televizorului sau monitorului LCD pe perete

AVERTISMENT

INSTALARE PROFESIONALĂ NECESARĂ

Acest produs trebuie instalat exclusiv de către un instalator profesionist, instruit să identifice rezistența peretelui care va trebui să susțină greutatea televizorului sau monitorului LCD. Dacă nu este fixat corespunzător la instalare, televizorul sau monitorul LCD ar putea cădea și ar putea provoca vătămări grave. Sony nu își asumă răspunderea pentru daunele sau vătămările cauzate de manipularea necorespunzătoare sau instalarea greșită, sau instalarea altor produse decât cel specificat. Drepturile dvs. prevăzute de lege (dacă există) nu sunt afectate.

Pentru distribuitorii Sony

Pentru instalarea acestui produs este necesar un nivel suficient de experiență. Citiți cu atenție acest manual de instrucțiuni, pentru a efectua operațiile de instalare în siguranță. Sony nu este responsabilă pentru niciun fel de daune materiale sau vătămări corporale determinate de manipularea eronată sau de instalarea inadecvată. Înmănați acest manual clientului după instalare.

Acest manual de instrucțiuni prezintă modul de manipulare corectă a produsului și măsurile importante de precauție necesare pentru prevenirea accidentelor. Aveți responsabilitatea să citiți, să înțelegeți clar și să respectați toate instrucțiunile din acest manual de instrucțiuni. În caz contrar, pot rezulta vătămări corporale sau daune materiale grave ce ar putea conduce la anularea garanției. Păstrați acest manual disponibil pentru consultări ulterioare.

Produsele Sony sunt proiectate ținând cont de siguranță. Totuși, dacă produsele sunt utilizate incorect, pot avea ca rezultat producerea de grave vătămări corporale prin incendiu, electrocutare, răsturnarea sau căderea produsului. Respectați măsurile de precauție pentru siguranță, în vederea evitării unor asemenea accidente.

ATENȚIE

Produse specificate

Acest dispozitiv de montare pe perete este proiectat în vederea utilizării cu televizoarele sau monitoarele LCD specificate. Pentru televizoarele sau monitoare LCD, citiți ghidul de referință pentru a verifica dacă dispozitivul de montare pe perete poate fi utilizat.

Pentru clienți

AVERTISMENT

Dacă următoarele măsuri de precauție nu sunt respectate, pot rezulta grave vătămări corporale sau deces prin incendiu, electrocutare sau căderea produsului.

Subcontractați instalarea produsului unor contractori licențiați și țineți copiii mici la distanță în timpul instalării.

Dacă dispozitivul de montare pe perete sau televizorul ori monitorul LCD nu este corect instalat, se pot produce următoarele accidente. Aveți grijă ca instalarea să fie efectuată de către contractori licențiați.

- Televizorul sau monitorul LCD poate cădea și poate cauza grave vătămări corporale, precum contuzii sau o fractură.
- Dacă peretele pe care este instalat dispozitivul de montare pe perete este instabil, nu este plan sau nu este perpendicular pe podea, aparatul poate cădea și poate cauza vătămări corporale sau daune materiale. Peretele trebuie să poată să susțină o greutate de cel puțin patru ori mai mare decât cea a televizorului sau monitorului LCD. (Consultați ghidul de referință al televizorului sau monitorului LCD pentru a-i determina greutatea.)
- Dacă instalarea dispozitivului de montare pe perete nu este suficient de rezistentă, aparatul poate cădea și poate cauza vătămări corporale sau daune materiale.

Contractați operațiile de montare sau demontare a televizorului sau monitorului LCD unor contractori licențiați.

Dacă persoane în afara unor contractori licențiați transportă sau demontează televizorul sau monitorul LCD, acesta poate cădea și poate cauza vătămări corporale sau daune materiale. Pentru transportul unui televizor sau al unui monitor LCD de mari dimensiuni, este nevoie de două sau mai multe persoane (trei sau mai multe persoane pentru televizoarele sau monitoarele LCD cu diagonală mai mare sau egală cu 189,3 cm (75 inci)) (cu excepția Egipt). Pentru transportul unui televizor sau al unui monitor LCD de mari dimensiuni, este nevoie de două sau mai multe persoane (trei sau mai multe persoane pentru televizoarele sau monitoarele LCD cu diagonală mai mare sau egală cu 75 inci (189,3 cm)) (numai Egipt).

Nu demontați șuruburile, etc., după montarea televizorului sau monitorului LCD.

În caz contrar, televizorul sau monitorul LCD poate cădea și poate cauza vătămări corporale sau daune materiale.

Nu aduceți modificări componentelor dispozitivului de montare pe perete.

În caz contrar, dispozitivul de montare pe perete poate cădea și poate cauza vătămări corporale sau daune materiale.

Nu montați alte echipamente în afara produsului specificat.

Acest dispozitiv de montare pe perete este proiectat numai în vederea utilizării cu produsul specificat. Dacă montați alt echipament decât cel specificat, acesta poate cădea sau se poate sparge și poate cauza vătămări corporale sau daune materiale.

Nu aplicați altă sarcină în afara televizorului sau monitorului LCD pe dispozitivul de montare pe perete. Nu zdruncinați televizorul sau monitorul LCD stânga/dreapta, sus/jos.

În caz contrar, televizorul sau monitorul LCD poate cădea și poate cauza vătămări corporale sau daune materiale.

Nu vă rezemați pe și nu vă agățați de televizor sau monitorul LCD.

Nu vă rezemați pe și nu vă agățați de televizor sau monitorul LCD, deoarece acesta poate cădea și poate cauza grave vătămări corporale.

ATENȚIE

Dacă următoarele măsuri de precauție nu sunt respectate, se pot produce vătămări corporale sau daune materiale.

- Asigurați-vă că depozitați componentele neutilizate în siguranță, pentru utilizări viitoare. Nu le lăsați la îndemâna copiilor.

Nu manipulați produsul cu forță excesivă în timpul curățării sau al întreținerii.

Nu aplicați o forță excesivă în partea de sus a televizorului sau monitorului LCD. În caz contrar, televizorul sau monitorul LCD poate cădea și poate cauza vătămări corporale sau daune materiale.

Măsurile de precauție

- Dacă utilizați timp îndelungat televizorul sau monitorul LCD instalat pe dispozitivul de montare pe perete, peretele din spatele sau de deasupra televizorului sau monitorului LCD se poate decolora, iar tapetul se poate desprinde, în funcție de materialul peretelui.
- Dacă dispozitivul de montare pe perete este demontat după instalarea sa pe perete, în perete vor rămâne orificiile pentru șuruburi.
- Nu utilizați dispozitivul de montare pe perete într-o locație unde este supus la vibrații mecanice.

Instalarea dispozitivului de montare pe perete

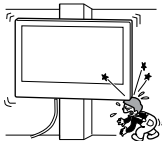
Pentru distribuitorii Sony

AVERTISMENT

Următoarele instrucțiuni sunt destinate numai distribuitorilor Sony. Citiți măsurile de precauție descrise mai sus și acordați o atenție specială siguranței în timpul instalării, al întreținerii și verificării acestui produs.

Nu instalați dispozitivul de montare pe perete pe suprafețe ale peretelui unde colțurile sau părțile laterale ale televizorului sau monitorului LCD ies în afară față de suprafața peretelui.

Nu instalați dispozitivul de montare pe perete pe suprafețe ale peretelui precum un stâlp, unde colțurile sau părțile laterale ale televizorului sau monitorului LCD ies în afară față de suprafața peretelui. Dacă se întâmplă ca o persoană sau un obiect să lovească partea sau colțul ieșit în afară al televizorului sau monitorului LCD, acest lucru poate cauza vătămări corporale sau daune materiale.

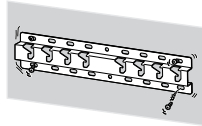


Nu instalați televizorul sau monitorul LCD deasupra unei instalații de aer condiționat sau dedesubtul acesteia.

Dacă televizorul sau monitorul LCD este expus timp îndelungat la scurgeri de apă sau la curenți de aer proveniți de la o instalație de aer condiționat, se pot produce incendii, șocuri electrice sau defecțiuni ale televizorului sau monitorului LCD.

Instalați dispozitivul de montare pe perete în condiții de siguranță, urmând indicațiile din acest manual de instrucțiuni.

Dacă oricare dintre șuruburi sunt slăbite sau cad, dispozitivul de montare pe perete poate cădea și poate cauza vătămări corporale sau daune materiale. Utilizați șuruburile corespunzătoare pentru materialul peretelui și instalați aparatul în condiții de siguranță, utilizând patru sau mai multe șuruburi cu diametrul de 8 mm (sau echivalent).



Utilizați corespunzător șuruburile și piesele de montaj furnizate, urmând instrucțiunile din acest manual de instrucțiuni. Dacă utilizați elemente înlocuitoare, televizorul sau monitorul LCD poate cădea și poate cauza vătămări corporale sau deteriorarea televizorului sau a monitorului LCD.

Asamblați dispozitivul de montare pe perete în mod corespunzător, urmând procedura explicată în acest manual de instrucțiuni.

Dacă oricare dintre șuruburi sunt slăbite sau cad, televizorul sau monitorul LCD poate cădea și poate cauza vătămări corporale sau deteriorarea televizorului sau a monitorului LCD.

Strângeți adecvat șuruburile în poziția indicată.

În caz contrar, televizorul sau monitorul LCD poate cădea și poate cauza vătămări corporale sau deteriorarea televizorului sau a monitorului LCD.

Nu supuneți televizorul sau monitorul LCD la șocuri pe durata instalării.

Dacă televizorul sau monitorul LCD este expus la șocuri, poate cădea sau se poate sparge. Aceasta poate cauza vătămări corporale.

Instalați televizorul sau monitorul LCD pe un perete plan și perpendicular pe podea.

În caz contrar, televizorul sau monitorul LCD poate cădea și poate cauza vătămări corporale.

După instalarea corectă a televizorului sau monitorului LCD, fixați cablurile în mod corespunzător.

Dacă oameni sau obiecte se încurcă în cabluri, aceasta poate duce la vătămări corporale sau la deteriorarea televizorului sau monitorului LCD.

Nu permiteți ciupirea/perforarea cablului de alimentare în curent alternativ și nici a cablului de conexiune.

În cazul în care cablul de alimentare în curent alternativ sau cablul de conexiune sunt ciupite/perforate între aparat și perete sau sunt îndoite sau răscucite forțat, conductorii interni pot deveni expuși și pot cauza un scurtcircuit sau o întrerupere a alimentării cu energie electrică. Aceasta poate determina incendii sau un șoc electric.



Șuruburile necesare pentru fixarea dispozitivului de montare pe perete nu sunt furnizate.

Utilizați șuruburile corespunzătoare pentru materialul și structura peretelui la fixarea dispozitivului de montare pe perete.

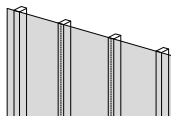
Înainte de a începe

- Ilustrațiile televizoarelor sau monitoarelor LCD prezentate în acest manual sunt exemple utilizate pentru a oferi explicații clare ale operațiilor. Din acest motiv, ilustrațiile pot apărea diferite față de cele ale televizorului sau monitorului LCD pe care îl dețineți.

Din ce este realizat peretele?

Mai întâi, verificați tipul peretelui pe care veți instala televizorul sau monitorul LCD.

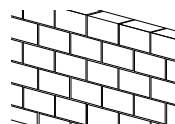
Gips-carton cu știfturi



Măsuri de precauție

- Grosimea maximă a peretelui de gips-carton: 16 mm.
- Asigurați-vă că dimensiunea știfturilor de lemn interioare este cel puțin 51 mm × 102 mm (normal) sau de cel puțin 38 mm × 89 mm (nominal).

O singură bucată de beton sau mai multe blocuri de beton



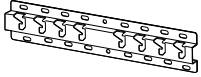







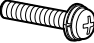
Măsuri de precauție

- Montați dispozitivul de montare pe perete direct pe peretele dintr-o singură bucată de beton.
- Asigurați-vă că grosimea peretelui dintr-o singură bucată de beton este de cel puțin 203 mm.
- Asigurați-vă că dimensiunea fiecărui bloc de beton este cel puțin 203 mm × 203 mm × 406 mm.






Verificarea pieselor

Furnizat cu SU-WL450


- Verificați dacă sunt incluse toate piesele.

<p>Ⓐ Bază (20) (x1)</p> 	<p>Ⓑ Scripete (x2)</p> 	<p>Ⓒ Șurub (+PSW 6 x 20) (x4)</p> 	<p>Ⓔ Distanțier (20 mm) (x2)</p> 
<p>Ⓕ Curea (x1)</p> 	<p>Ⓘ Adaptor bază (x2)</p> 	<p>Ⓙ Șurub (+PSW 4 x 10) (x8)</p> 	<p>Ⓚ Distanțier (60 mm) (x2)</p> 
<p>Ⓛ Șurub (+PSW 6 x 50) (x2)</p> 			

- Aceste componente nu pot fi utilizate pentru modelul dumneavoastră.

<p>ⓓ Șurub (+PSW 4 x 20) cu bucășă (x2)</p> 	<p>ⓐ Bucășă (20) (M4) (x2)</p> 	<p>ⓓ Șurub (+PSW 4 x 20) (x2)</p> 	<p>ⓓ Bucășă (M4) (x2)</p> 
<p>Ⓝ Șurub (+PSW 4 x 50) (x2)</p> 			



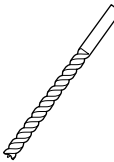
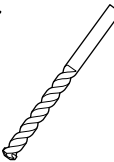
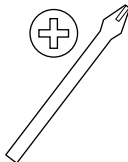
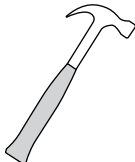
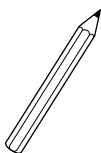
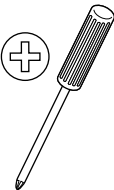
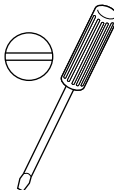
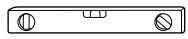




Furnizat cu televizorul sau monitorul LCD

<p>Element de fixare a dispozitivului de montare pe perete VS (x4)*</p> 
--

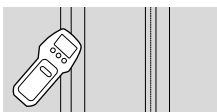
- * Numai pentru anumite regiuni/țări/modele.

Pregătirea pentru instalare

- Țineți la îndemână ghidul de referință și ghidul de configurare a televizorului sau monitorului LCD înainte de a începe instalarea.
- Confirmați poziția de instalare a televizorului sau monitorului LCD.
- Pregătiți patru sau mai multe șuruburi cu diametrul de 8 mm și un șurub cu diametrul de 5 mm sau echivalent (nu sunt furnizate). Selectați șuruburi corespunzătoare pentru materialul peretelui.
- Pregătiți următoarele scule:

*1			 5,5 mm	 10 mm	
*2			 1,5 N·m {15 kgf·cm}	*3	 1,5 N·m {15 kgf·cm}
	*2	 (x4)	 (x4) 8 mm × 60 mm	 5 mm	
*4					

*1 Doar pentru pereți din gips-carton cu știfturi



*2 Doar pentru pereți dintr-o singură bucată de beton sau din mai multe blocuri de beton

*3 în funcție de modele

*4 Numai pentru televizoare sau monitoare LCD cu diagonala de 189,3 cm (75 țoli) sau mai mare (cu excepția Egipt)

Numai pentru televizoare sau monitoare LCD cu diagonala de 75 țoli (189,3 cm) sau mai mare (numai Egipt)

Instalarea pe perete a Dispozitivului de montare pe perete

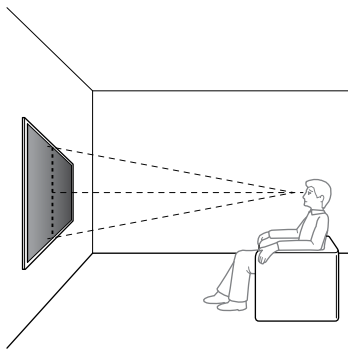
1 Stabiliți locația de instalare.

Asigurați-vă că peretele dispune de spațiu suficient pentru televizor sau monitorul LCD și că poate susține o greutate de cel puțin patru ori mai mare decât cea a televizorului sau monitorului LCD.

Consultați ghidul de referință al televizorului sau al monitorului LCD pentru a determina greutatea televizorului sau a monitorului LCD.

Notă

- Când televizorul sau monitorul LCD este instalat pe perete, partea superioară a televizorului sau a monitorului LCD se înclină ușor înainte.
- Vă recomandăm să verificați poziția televizorului sau monitorului LCD în mediul de vizualizare.



2 Selectați stilul de montare pe perete așa cum se arată mai jos.

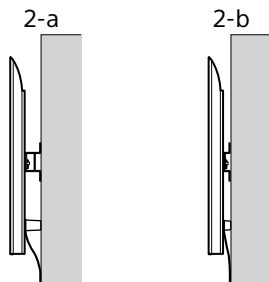
2-a: Montaj standard

2-b: Montaj pe suport subțire

- Consultați „Măsurarea pentru instalarea pe perete a dispozitivului de montare pe perete” de la pagina 18.

AVERTISMENT

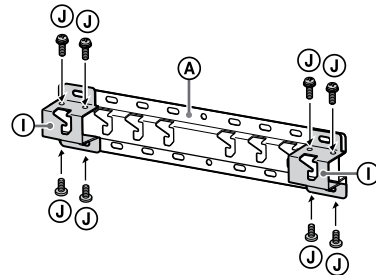
- Când se selectează 2-b, accesul la terminalul din spate este limitat.



3 Dacă se selectează montajul standard (2-a):

Montați adaptorul de bază ① cu ajutorul șurubului (+PSW 4 × 10) ② pe baza (20) ③.

- Consultați „Locul de montare a adaptorului de bază ①” de la pagina 19.



Exemplu: Montarea adaptorului de bază ① în poziția „a”

Dacă se selectează montajul pe suport subțire (2-b):

Omiteți acest pas.

4 Stabiliți pozițiile șuruburilor pentru instalarea bazei (20) ③.

- Consultați „Specificații” de la pagina 17.

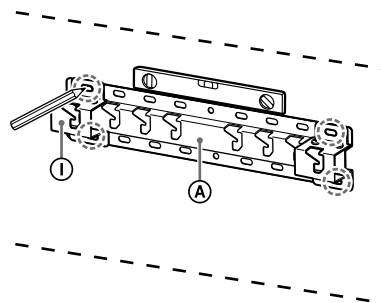
AVERTISMENT

- Determinați rezistența peretelui pe care urmează a fi montat televizorul sau monitorul LCD. Consolidati în măsură suficientă peretele, dacă este necesar.
- Peretele pe care va fi montat televizorul sau monitorul LCD trebuie să poată susține o greutate de cel puțin **patru ori** mai mare decât cea a televizorului sau monitorului LCD. (Consultați ghidul de referință al televizorului sau monitorului LCD pentru a-i determina greutatea.)

Dacă se selectează montajul standard

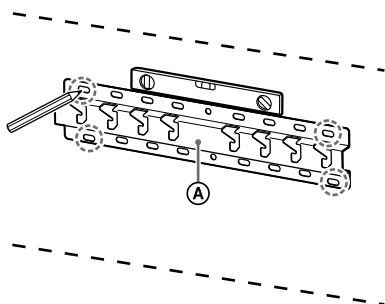
(2-a):

Utilizați pozițiile găurilor adaptorului de bază ①.



Exemplu: Marcarea poziției „a” pentru a montarea bazei (20) ③

Dacă se selectează montajul pe suport subțire (2-b):

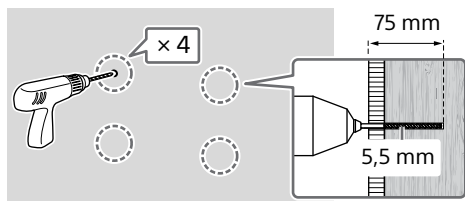


Exemplu: Marcarea poziției „a” pentru a montarea bazei (20) A

5 Dați găuri pilot pe semne.

Asigurați-vă că locul de amplasare pe perete în care veți face găurile este suficient de rezistent pentru a susține o greutate de cel puțin patru ori mai mare decât cea a televizorului sau monitorului LCD.

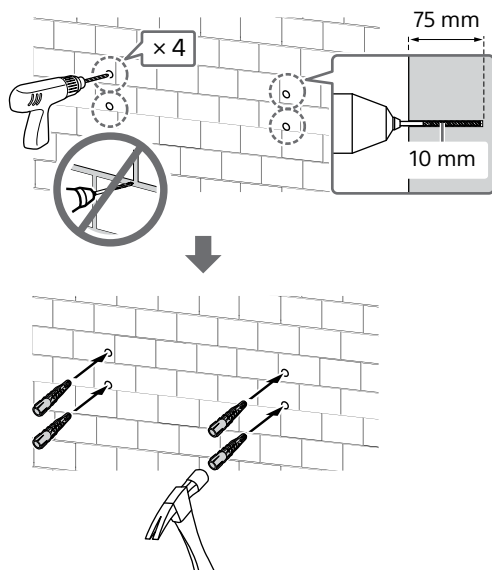
Găurirea pereților din gips-carton cu știfturi:



Notă

- Găurile pilot trebuie date la o adâncime de 75 mm, prin utilizarea unui bit de găurire cu diametrul de 5,5 mm.

Găurirea pereților dintr-o singură bucată de beton sau din mai multe blocuri de beton:



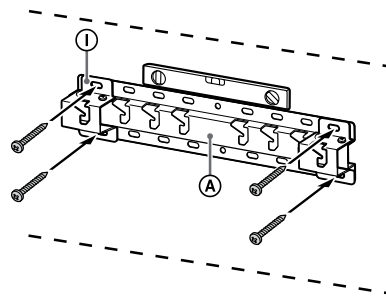
6 Instalați baza (20) A pe perete folosind șuruburi adecvate (nu sunt furnizate).

Notă

- Utilizați patru sau mai multe șuruburi cu diametrul de 8 mm sau echivalent (nu sunt furnizate).
- Folosiți o nivelă pentru a verifica dacă baza (20) A este orizontală.

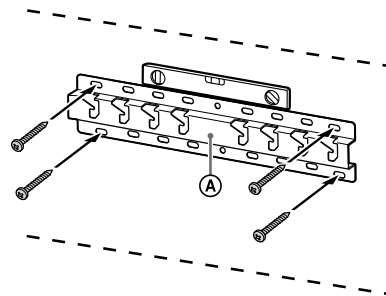
Dacă se selectează montajul standard (2-a):

Montați patru șuruburi la orificiile adaptorului de bază 1 cu baza (20) A.



Exemplu: Montarea bazei (20) A în poziția „a”

Dacă se selectează montajul pe suport subțire (2-b):



Exemplu: Montarea bazei (20) A în poziția „a”

7 Numai KD-85X8xL / 85X8xBL / 75X8xL / 75X8xBL, KM-85X8xL / 75X8xL, XR-85X9xL / 75X9xL, XRM-85X9xL / 75X9xL

Marcați pe perete locul de instalare.

Folosiți bandă de marcare (neinclusă) sau produse similare pentru a marca locul televizorului sau monitorului LCD în apropierea bazei (20) A sau a adaptorului de bază 1.

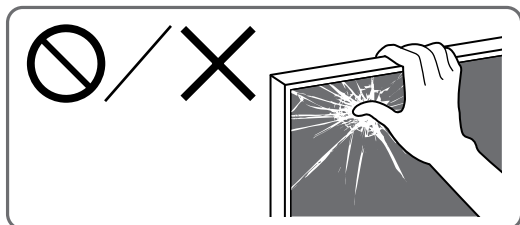
- Consultați „Marcarea peretelui pentru locul de instalare a televizorului sau monitorului LCD” de la pagina 20.

**Cu excepția modelului
KD-85X8xL / 85X8xBL /
75X8xL / 75X8xBL,
KM-85X8xL / 75X8xL,
XR-85X9xL / 75X9xL,
XRM-85X9xL / 75X9xL**
Omiteți acest pas.

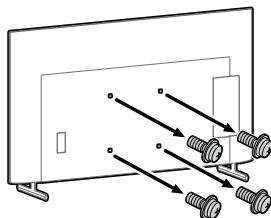
Pregătirea instalării televizorului sau monitorului LCD

Notă

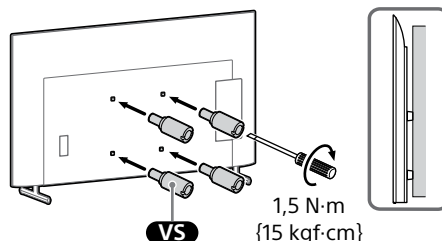
- Depozitați șuruburile demontate și componentele neutilizate într-un loc sigur, fără a le lăsa la îndemâna copiilor.



- 1** Montați suportul de masă pentru a pune televizorul sau monitorul LCD în poziție verticală.
 - Consultați Ghidul de configurare al televizorului sau al monitorului LCD.
- 2** Demontați șuruburile din partea din spate a televizorului sau monitorului LCD.



- 3** Prindeți elementul de fixare a dispozitivului de montare pe perete **VS** (inclusiv cu televizorul sau monitorul LCD) pe partea din spate a televizorului sau monitorului LCD (pentru a-l fixa paralel cu peretele).



Notă

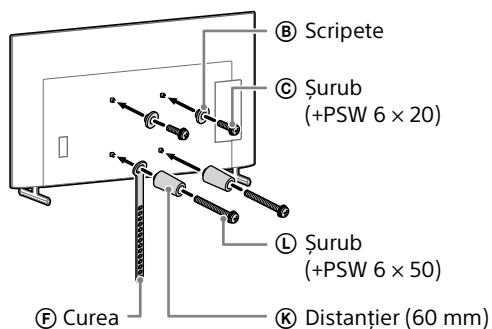
- Nu uitați să strângeți elementele de fixare a dispozitivului de montare pe perete **VS** după ce le montați pe carcasa televizorului sau a monitorului LCD.
Folosiți numai o șurubelniță cu cap plat pentru a instala elementele de fixare a dispozitivului de montare pe perete **VS**. Utilizarea unei alte scule poate duce la strângerea excesivă a elementelor de fixare a dispozitivului de montare pe perete **VS** și la deteriorarea televizorului sau a monitorului LCD.

- 4** Montați piesele de fixare pentru dispozitivul de montare pe perete. Verificați piesele de fixare consultând „Furnizat cu fixare SU-WL450” din „Verificarea pieselor” de la pagina 6.

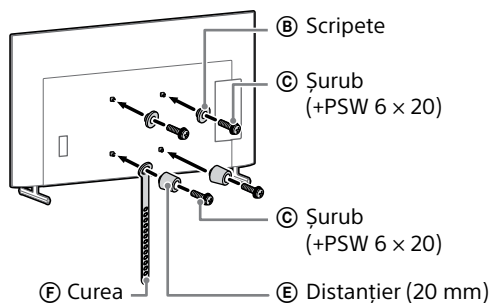
Notă

- Fixați bine piesele de prindere folosind șububuri.
- Când utilizați o șurubelniță electrică, setați cuplul la aproximativ 1,5 N·m {15 kgf·cm}.

Dacă se selectează montajul standard (2-a):



Dacă se selectează montajul pe suport subțire (2-b):



5 Conectați la televizor sau la monitorul LCD cablul necesar sau cablurile necesare.

Conectați cablurile înainte de instalarea televizorului sau monitorului LCD pe perete. Nu veți putea conecta cablurile când televizorul sau monitorul LCD este instalat.

Notă

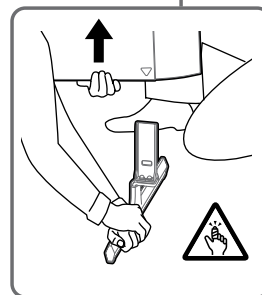
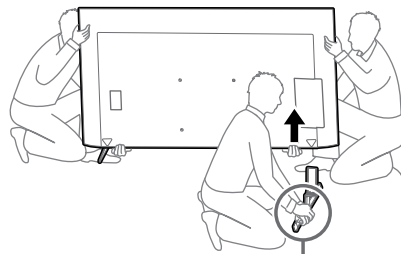
- Pozarea cablurilor în perete se va efectua de către un contractor licențiat.
- Înainte de montarea pe perete, legați cablurile de conectare, pentru a nu călca pe ele.

6 Demontați suportul de masă de la televizor sau monitorul LCD.

Următoarea ilustrație este un exemplu de operațiune.

Cu excepția modelului KD-75X85L / 65X85L / 65X85BL / 55X85L, KM-75X85L / 65X85L / 55X85L, XR-85X90L / 75X90L / 65X90L / 55X90L, XRM-85X90L / 75X90L / 65X90L / 55X90L

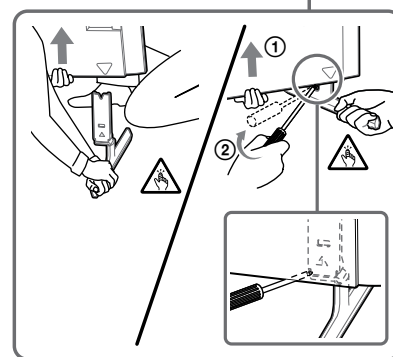
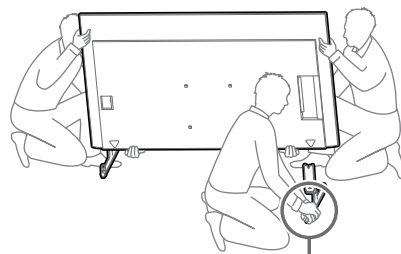
- Scoateți pe rând câte o parte laterală a suportului de masă. Țineți bine suportul de masă cu ambele mâini în timp ce persoana sau persoanele care vă ajută ridică televizorul sau monitorul LCD.



- Repetați pasul anterior și scoateți cealaltă parte laterală a suportului de masă.

Numai KD-75X85L / 65X85L / 65X85BL / 55X85L, KM-75X85L / 65X85L / 55X85L

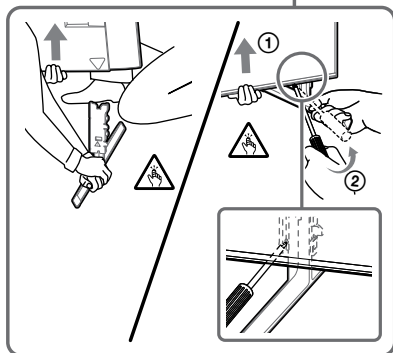
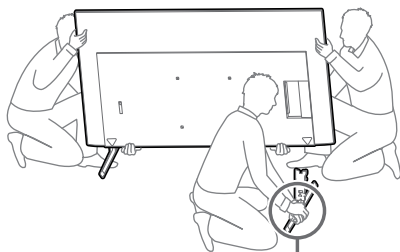
- Scoateți pe rând câte o parte laterală a suportului de masă. Țineți bine suportul de masă cu ambele mâini în timp ce persoana sau persoanele care vă ajută ridică televizorul sau monitorul LCD.



- Repetați pasul anterior și scoateți cealaltă parte laterală a suportului de masă.

Numai XR-85X90L / 75X90L / 65X90L / 55X90L, XRM-85X90L / 75X90L / 65X90L / 55X90L

- Scoateți pe rând câte o parte laterală a suportului de masă. Țineți bine suportul de masă cu ambele mâini în timp ce persoana sau persoanele care vă ajută ridică televizorul sau monitorul LCD.



- Repetați pasul anterior și scoateți cealaltă parte laterală a suportului de masă.

Notă

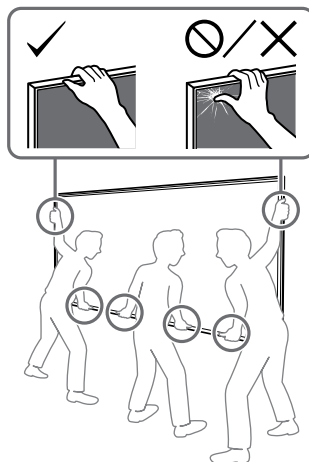
- Trei sau mai multe persoane sunt necesare pentru a detașa suportul de masă.
- Aveți grijă să nu utilizați forță excesivă în timp ce detașați suportul de masă din televizor sau monitorul LCD, deoarece poate cauza căderea televizorului sau monitorului LCD, rezultând în vătămări corporale sau deteriorarea televizorului sau monitorului LCD.
- Aveți grijă atunci când manipulați suportul de masă pentru a preveni deteriorarea televizorului sau monitorului LCD.
- Ridicați cu grijă televizorul sau monitorul LCD, pentru că suportul de masă este desprins și se poate răsturna, provocând vătămări corporale.
- Demontați cu grijă suportul de masă de la televizor sau de la monitorul LCD, pentru a evita căderea acestuia și deteriorarea suprafeței pe care este așezat televizorul sau monitorul LCD.

Instalarea televizorului sau monitorului LCD pe perete

Numai KD-85X8xL / 85X8xBL / 75X8xL / 75X8xBL, KM-85X8xL / 75X8xL, XR-85X9xL / 75X9xL, XRM-85X9xL / 75X9xL

AVERTISMENT

- Pentru transportul unui televizor sau al unui monitor LCD de mari dimensiuni, este nevoie de două sau mai multe persoane (trei sau mai multe persoane pentru televizoarele sau monitoarele LCD cu diagonala mai mare sau egală cu 189,3 cm (75 inci)) (cu excepția Egipt).
- Pentru transportul unui televizor sau al unui monitor LCD de mari dimensiuni, este nevoie de două sau mai multe persoane (trei sau mai multe persoane pentru televizoarele sau monitoarele LCD cu diagonala mai mare sau egală cu 75 inci (189,3 cm)) (numai Egipt).



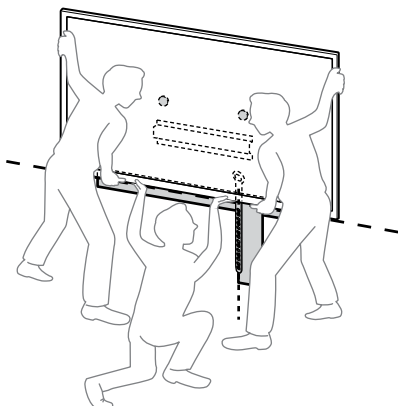
1 Ridicați televizorul sau monitorul LCD.

- Pentru amplasarea scripeților ② pentru suspendarea bazei (20) ① sau a adaptorului de bază ① consultați „Locul de montare a adaptorului de bază ①” de la pagina 19.
- Atunci când țineți televizorul sau monitorul LCD, asigurați-vă că partea din spate a televizorului sau a monitorului LCD atinge baza (20) ① sau adaptorul de bază ①.

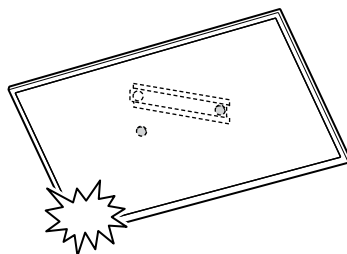
Notă

- Țineți bine televizorul sau monitorul LCD cu ambele mâini și asigurați-vă că partea de jos a televizorului sau monitorului LCD și cureaua ③ sunt aliniate cu banda de mascare.

- Televizorul sau monitorul LCD trebuie ținut de trei persoane, iar persoana din fața televizorului sau monitorului LCD trebuie să le indice celorlalți cum să regleze poziția.

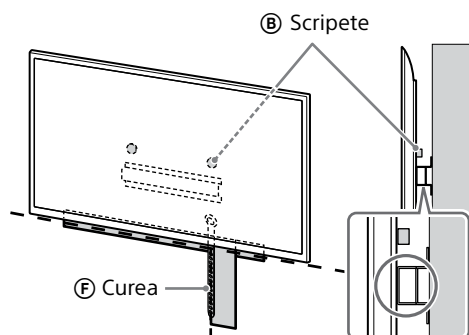


- Luați încet mâinile de pe televizor sau de pe monitorul LCD, pentru a vă asigura că acesta nu cade.



- După montarea televizorului sau monitorului LCD pe perete, îndepărtați banda de mascare sau produsele similare.

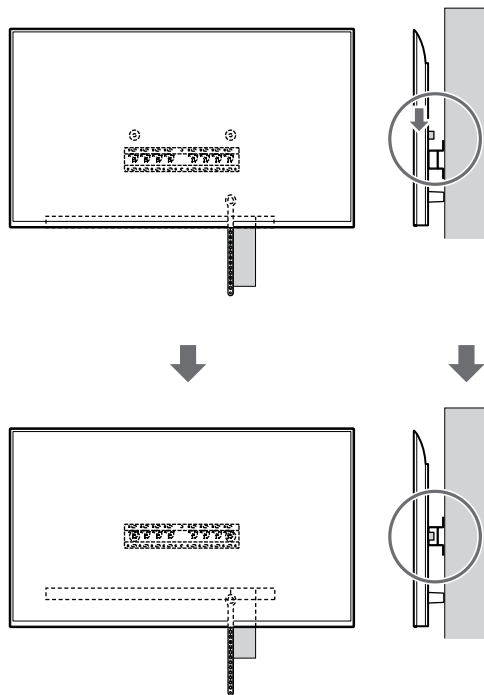
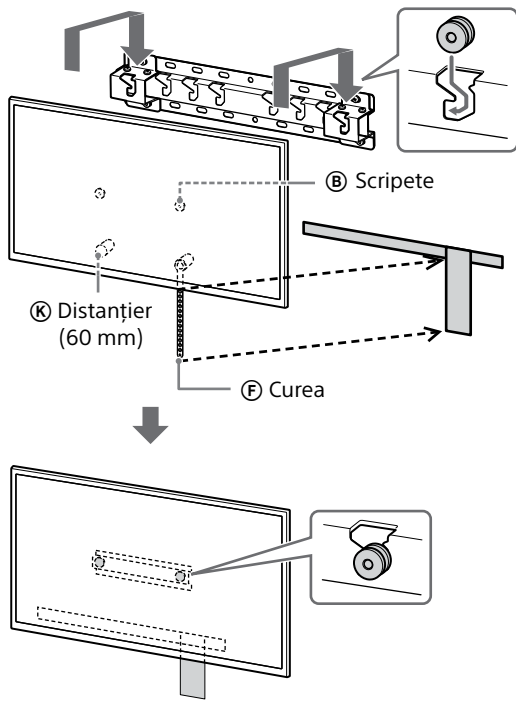
- Persoanele care montează televizorul sau monitorul LCD trebuie să procedeze cu mare grijă, mai ales persoana care susține televizorul sau monitorul LCD de jos, deoarece televizorul sau monitorul LCD poate cădea și poate cauza vătămări corporale grave sau chiar deces.



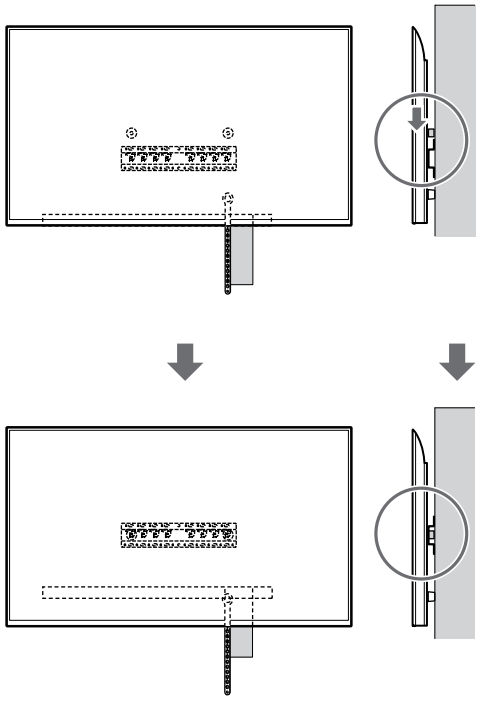
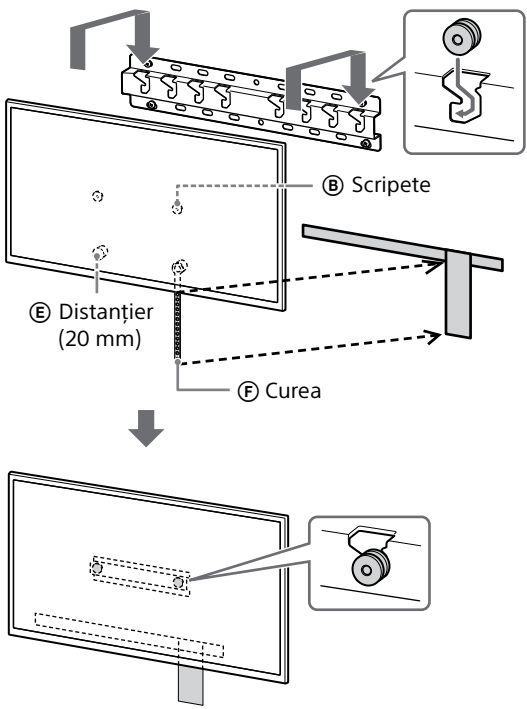
2 Montați televizorul sau monitorul LCD pe bază (20) A sau pe adaptorul de bază I.

- Împingeți ușor televizorul sau monitorul LCD în jos și fixați scripetele B montat pe spatele televizorului sau monitorului LCD pe bază (20) A sau pe adaptorul de bază I, având grijă să-l potriviți în găuri.
- După instalarea televizorului sau monitorului LCD pe perete, verificați că scripetele B este ferm fixat pe bază (20) A sau pe adaptorul de bază I.

Dacă se selectează montajul standard (2-a):

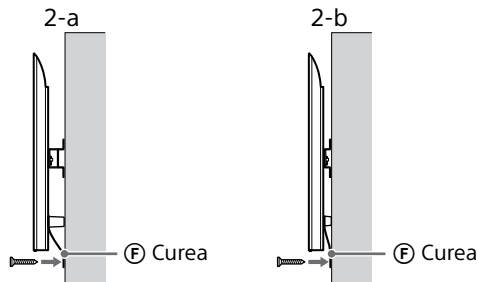


Dacă se selectează montajul pe suport subțire (2-b):



3 Prevenirea alunecării părții de jos a televizorului sau monitorului LCD.

- Luați partea netensionată a curelei (F) și fixați-o ferm pe perete.



- Utilizați un șurub cu diametrul de 5 mm sau echivalent (nu este furnizat).

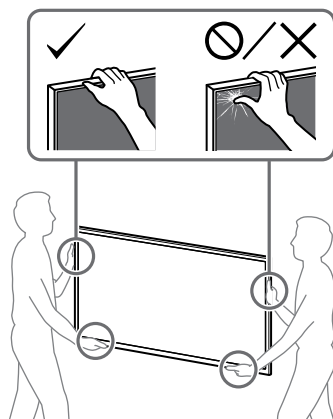
Notă

- Încercați să trageți ușor partea de jos a televizorului sau monitorului LCD spre dumneavoastră, pentru a vă asigura că nu se deplasează înainte. Dacă survine o mișcare, aparatul nu este corect fixat, iar cureaua (F) trebuie fixată ferm din nou.

Cu excepția modelului
KD-85X8xL / 85X8xBL / 75X8xL /
75X8xBL, KM-85X8xL / 75X8xL,
XR-85X9xL / 75X9xL,
XRM-85X9xL / 75X9xL

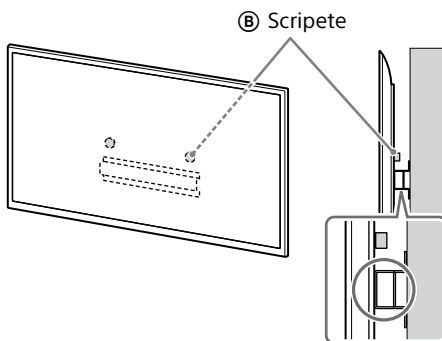
AVERTISMENT

- Pentru transportul unui televizor sau al unui monitor LCD de mari dimensiuni, este nevoie de două sau mai multe persoane (trei sau mai multe persoane pentru televizoarele sau monitoarele LCD cu diagonala mai mare sau egală cu 189,3 cm (75 inci)) (cu excepția Egipt).
Pentru transportul unui televizor sau al unui monitor LCD de mari dimensiuni, este nevoie de două sau mai multe persoane (trei sau mai multe persoane pentru televizoarele sau monitoarele LCD cu diagonala mai mare sau egală cu 75 inci (189,3 cm)) (numai Egipt).



1 Ridicați televizorul sau monitorul LCD.

- Pentru amplasarea scripetelor (B) pentru suspendarea bazei (20) (A) sau a adaptorului de bază (1) consultați „Locul de montare a adaptorului de bază (1)” de la pagina 19.
- Atunci când țineți televizorul sau monitorul LCD, asigurați-vă că partea din spate a televizorului sau a monitorului LCD atinge baza (20) (A) sau adaptorul de bază (1).

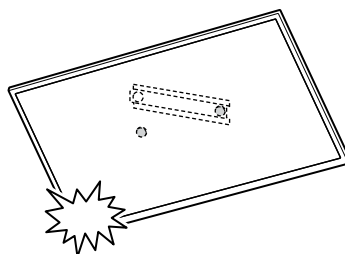


Notă

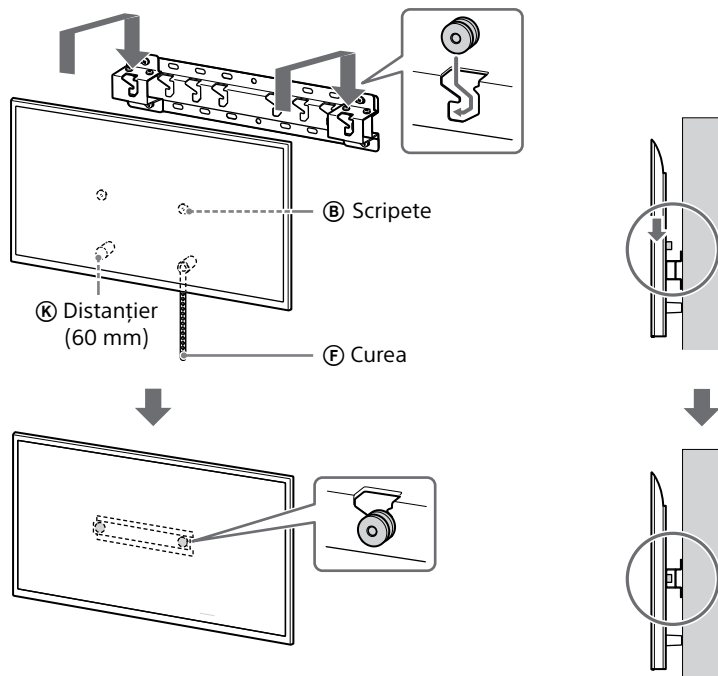
- Țineți bine televizorul sau monitorul LCD cu ambele mâini.

2 Montați televizorul sau monitorul LCD pe bază (20) (A) sau pe adaptorul de bază (1).

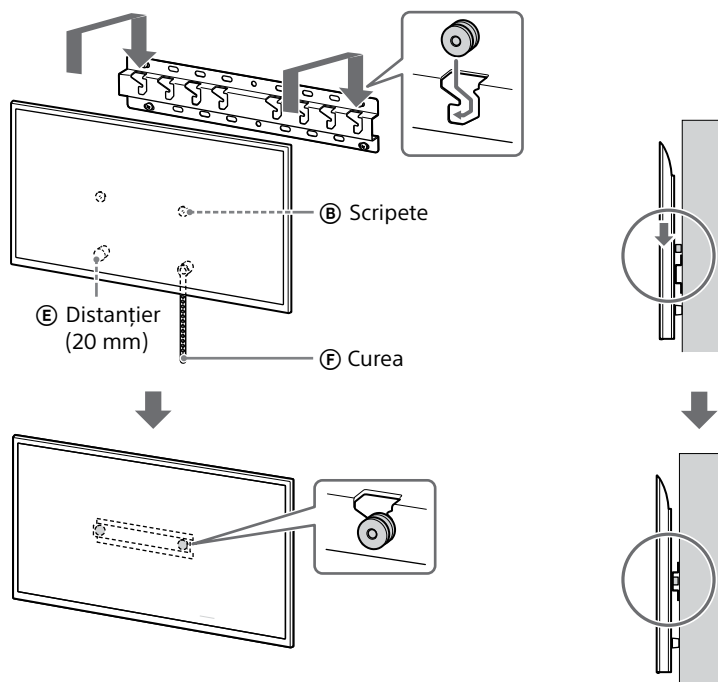
- Împingeți ușor televizorul sau monitorul LCD în jos și fixați scripetele (B) montat pe spatele televizorului sau monitorului LCD pe bază (20) (A) sau pe adaptorul de bază (1), având grijă să-l potriviți în găuri.
- După instalarea televizorului sau monitorului LCD pe perete, verificați că scripetele (B) este ferm fixat pe bază (20) (A) sau pe adaptorul de bază (1).
- Luați încet mâinile de pe televizor sau de pe monitorul LCD, pentru a vă asigura că acesta nu cade.



Dacă se selectează montajul standard (2-a):

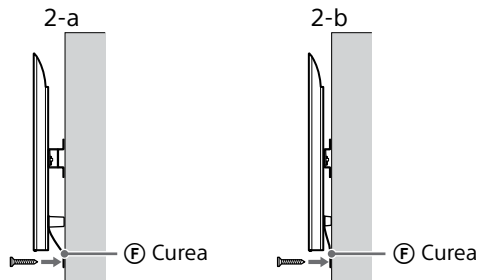


Dacă se selectează montajul pe suport subțire (2-b):



3 Prevenirea alunecării părții de jos a televizorului sau monitorului LCD.

- Luați partea netensionată a curelei (F) și fixați-o ferm pe perete.



- Utilizați un șurub cu diametrul de 5 mm sau echivalent (nu este furnizat).

Notă

- Încercați să trageți ușor partea de jos a televizorului sau monitorului LCD spre dumneavoastră, pentru a vă asigura că nu se deplasează înainte. Dacă survine o mișcare, aparatul nu este corect fixat, iar cureaua (F) trebuie fixată ferm din nou.

Confirmarea finalizării instalării

Verificați următoarele aspecte.

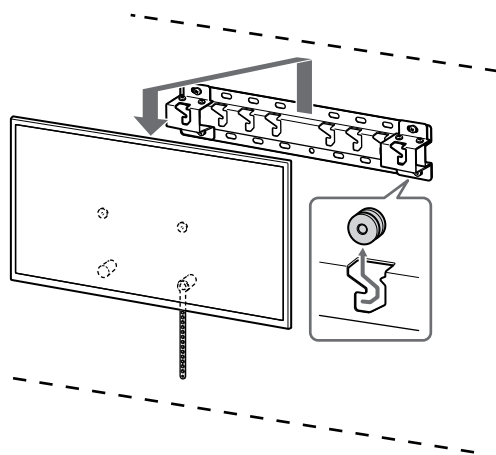
- Scripetele (B) este suspendat ferm pe bază (20) (A) sau pe adaptorul de bază (1).
- Firul și cablul nu sunt răsucite sau ciupite/perforate.
- Cureaua (F) este strânsă, fără porțiuni netensionate.

AVERTISMENT

- Amplasarea incorectă a cablului de alimentare în curent alternativ, etc. poate cauza incendiu sau șocuri electrice prin intermediul unui scurtcircuit. Din motive de siguranță, verificați finalizarea instalării.

Alte informații

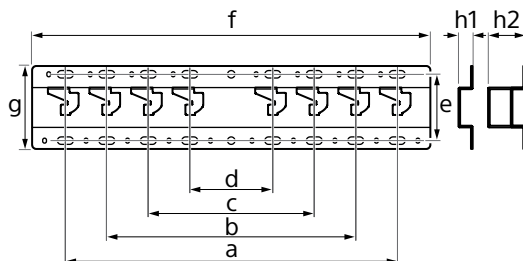
La demontarea televizorului sau monitorului LCD, parcurgeți procedura de instalare în sens invers.



AVERTISMENT

- Pentru transportul unui televizor sau al unui monitor LCD de mari dimensiuni, este nevoie de două sau mai multe persoane (trei sau mai multe persoane pentru televizoarele sau monitoarele LCD cu diagonala mai mare sau egală cu 189,3 cm (75 inci)) (cu excepția Egipt).
- Pentru transportul unui televizor sau al unui monitor LCD de mari dimensiuni, este nevoie de două sau mai multe persoane (trei sau mai multe persoane pentru televizoarele sau monitoarele LCD cu diagonala mai mare sau egală cu 75 inci (189,3 cm)) (numai Egipt).

Specificații



Dimensiuni: (aprox.) [mm]

- a : 400
- b : 300
- c : 200
- d : 100
- e : 80
- f : 480
- g : 100

h1 : 20 (pentru montajul pe suport subțire, 2-b)

h2 : 60 (pentru montajul standard, 2-a)

Greutate (numai baza): (aprox.) [kg]

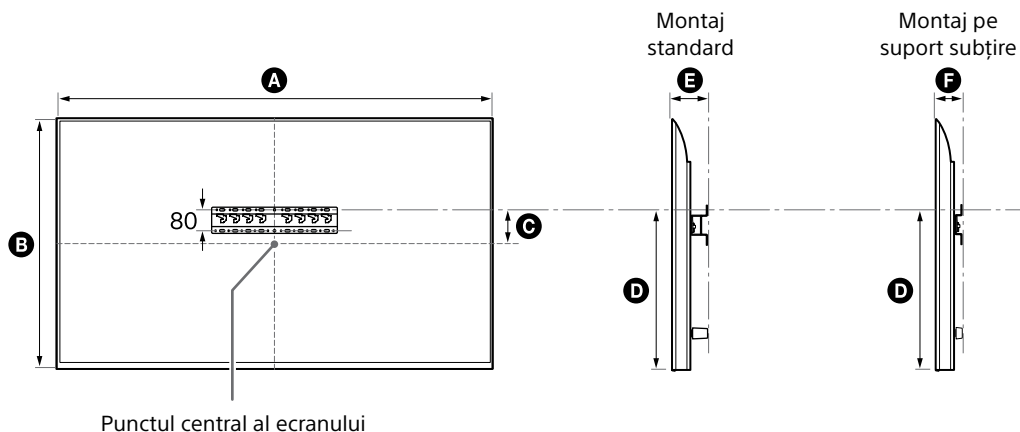
0,8

Structura și specificațiile se pot modifica fără preaviz.

Referințe

Măsurarea pentru instalarea pe perete a dispozitivului de montare pe perete

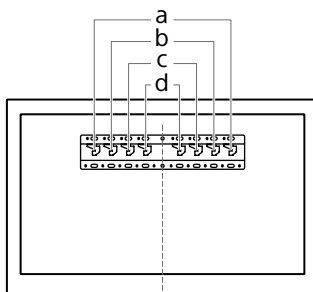
Este posibil ca valorile din tabel să fie ușor diferite, în funcție de instalare.



(mm)

Numele modelului	A	B	C	D	E	F
KD-85X81BL / 85X80L KM-85X80L	1901	1090	43	592	138	96
XR-85X90L XRM-85X90L	1891	1085	58	607	125	83
KD-75X85L KM-75X85L	1671	960	21	508	123	81
KD-75X81BL / 75X80L KM-75X80L	1675	962	12	493	137	95
XR-75X90L XRM-75X90L	1668	959	21	508	123	81
KD-65X85L / 65X85BL KM-65X85L	1447	832	85	505	123	81
KD-65X81BL / 65X80L KM-65X80L	1452	836	76	494	135	93
XR-65X90L XRM-65X90L	1445	831	85	505	123	81
KD-55X85L KM-55X85L	1228	709	146	505	122	81
KD-55X81BL / 55X80L KM-55X80L	1233	713	133	494	135	93
XR-55X90L XRM-55X90L	1225	707	146	505	122	81
KD-50X80L KM-50X80L	1119	649	63	392	133	91
KD-43X80L KM-43X80L	964	563	111	392	133	91

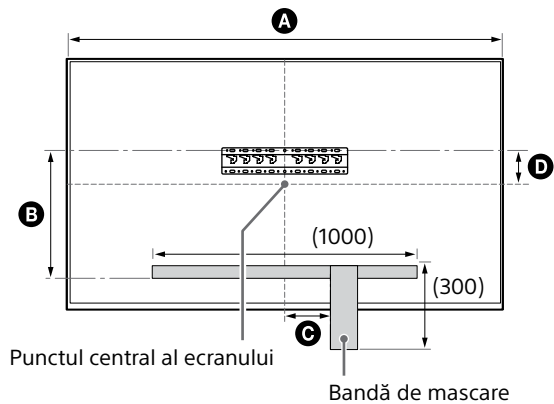
Locul de montare a adaptorului de bază ①



Numele modelului	Cârlig locație
KD-85X81BL / 85X80L KM-85X80L XR-85X90L XRM-85X90L	a
KD-75X85L / 75X81BL / 75X80L KM-75X85L / 75X80L XR-75X90L XRM-75X90L	b
KD-65X85L / 65X85BL / 65X81BL / 65X80L KM-65X85L / 65X80L XR-65X90L XRM-65X90L	b

Numele modelului	Cârlig locație
KD-55X85L / 55X81BL / 55X80L KM-55X85L / 55X80L XR-55X90L XRM-55X90L	b
KD-50X80L KM-50X80L	c
KD-43X80L KM-43X80L	c

Marcarea peretelui pentru locul de instalare a televizorului sau monitorului LCD



(mm)

Numele modelului	A	B	C	D
KD-85X81BL / 85X80L KM-85X80L	1901	472	200	43
XR-85X90L XRM-85X90L	1891	486	200	58
KD-75X85L KM-75X85L	1671	388	150	21
KD-75X81BL / 75X80L KM-75X80L	1675	373	150	12
XR-75X90L XRM-75X90L	1668	388	150	21

Информация за монтаж при използване на конзола за закрепване към стена на Sony (SU-WL450)

Поддържани модели*:

* В действителните имена на моделите "x"/"xx" означава номера и/или характеристики, специфични за всеки модел.

KD-85X8xL / 85X8xBL / 75X8xL / 75X8xBL / 65X8xL / 65X8xBL / 55X8xL / 55X8xBL / 50X8xL / 43X8xL

KM-85X8xL / 75X8xL / 65X8xL / 55X8xL / 50X8xL / 43X8xL

XR-85X9xL / 75X9xL / 65X9xL / 55X9xL

XRM-85X9xL / 75X9xL / 65X9xL / 55X9xL

До потребителите

От съображения за безопасност и за защита на продукта, Sony препоръчва монтажът на вашия телевизор или LCD монитор да бъде извършен от доставчици или подизпълнители на Sony. Не се опитвайте да монтирате телевизора сами.

До доставчиците и подизпълнителите на Sony

Подходете с подчертано внимание към безопасността по време на монтажа, периодичната поддръжка и огледа на този продукт.

За монтажа на този продукт се изисква значителен опит, особено за определяне на здравината на стената, която трябва да издържи тежестта на телевизора или LCD монитора. На всяка цена поверете на доставчици на Sony или лицензирани подизпълнители закрепването на този продукт към стената и по време на монтажа обърнете особено внимание на мерките за безопасност. Sony не носи отговорност за повреди или наранявания, причинени от неправилни манипулации или монтаж.

С оглед на безопасността и за правилен монтаж, следвайте ръководство за употреба на конзолата за закрепване към стена, ръководството за настройка на телевизора или LCD монитора и указанията в това ръководство.

Конзола за закрепване към стена

Относно безопасността

Благодарим ви за покупката на този продукт.

До потребителите

Монтаж на телевизора или LCD монитора на стена



ПРЕДУПРЕЖДЕНИЕ

НЕОБХОДИМ Е ПРОФЕСИОНАЛЕН МОНТАЖ

Този продукт трябва да се монтира само от професионалист, който е обучен да определя якостта на стената, за да издържи тежестта на телевизора или LCD монитора. Ако не е добре закрепен при монтажа, телевизорът или LCD мониторът може да падне и да причини тежко нараняване. Sony не носи отговорност за повреди или нараняване, причинени от неправилно боравене или неправилен монтаж, или от монтирането на продукт, различен от посочения. Вашите законни права (ако има такива) не са засегнати.

Към търговците на Sony

За монтирането на продукта се изисква опит. Прочетете внимателно това ръководство за употреба, за да извършите безопасно монтажните дейности. Sony не носи отговорност за повреди или наранявания, причинени от неправилна употреба или монтаж. Предайте това ръководство на клиента след монтажа.

Това ръководство за употреба показва правилния начин за работа с продукта и важните предпазни мерки, които трябва да се предприемат, за да се избегнат злополуки. Вие имате задължението да прочетете, да осмислите напълно и да спазвате инструкциите в настоящото ръководство за употреба. Неспазването може да доведе до тежка телесна повреда или до материални щети и може да анулира гаранцията. Запазете ръководството за бъдещи справки.

Продуктите на Sony са проектирани с мисъл за безопасността. Но ако използвате продукта неправилно, това може да доведе до сериозно нараняване вследствие на пожар, електрически удар, падане или изпускане на продукта. Спазвайте мерките за безопасност за предотвратяване на такива инциденти.

ВНИМАНИЕ

Уточняване на продуктите

Тази конзола за закрепване към стена е проектирана за използване само с указаните телевизори или LCD монитори. Вижте информацията за продукта на телевизорите или LCD мониторите, за да проверите дали тази конзола за закрепване към стена може да се използва с тях.

До потребителите

ПРЕДУПРЕЖДЕНИЕ

Ако не се спазват следните предпазни мерки, това може да доведе до сериозно нараняване или смърт в следствие на пожар, електрически удар или падане на продукта.

Възложете монтажа на лицензирани изпълнители и дръжте децата настрана по време на монтажа.

Ако конзолата за закрепване към стена или телевизорът или LCD мониторът не са монтирани правилно, може да възникнат следните инциденти. Уверете се, че монтажът се извършва от лицензирани изпълнители.

- Телевизорът или LCD мониторът може да падне и да предизвика сериозно нараняване, като контузия или счупване.
- Ако стената, на която е монтирана конзолата за закрепване към стена, е нестабилна, неравна или не е перпендикулярна на пода, конструкцията може да падне и да причини нараняване или повреда на имущество. Стената трябва да е способна да издържи тежест, поне четирикратно превишаваща тази на телевизора или LCD монитора. (Вижте информацията за продукта на телевизора или LCD монитора относно теглото му.)
- Ако монтажът на конзолата за закрепване към стена не е достатъчно здрав, конструкцията може да падне и да причини нараняване или повреда на имущество.

Уверете се, че сте възложили преместването или демонтажа на телевизора или LCD монитора на лицензирани подизпълнители.

Ако други лица, освен лицензирани подизпълнители транспортират или демонтират телевизора или LCD монитора, той може да падне и да причини нараняване или повреда на имущество. Необходими са две или повече лица (три или повече лица за телевизори или LCD монитори от или над 189,3 см (75 инча)) за транспортиране на голям телевизор или LCD монитор (с изключение на Египет). Необходими са две или повече лица (три или повече лица за телевизори или LCD монитори от или над 75 инча (189,3 см)) за транспортиране на голям телевизор или LCD монитор (само за Египет).

Не сваляйте винтове и други след монтажа на телевизора или LCD монитора.

Ако го направите, телевизорът или LCD мониторът може да падне и да причини нараняване или повреда на имущество.

Не променяйте частите на конзолата за закрепване към стена.

Ако го направите, конзолата за закрепване към стена може да падне и да причини нараняване или повреда на имущество.

Не монтирайте друго оборудване, освен указания продукт.

Тази конзола за закрепване към стена е проектирана за използване само с указания продукт. Ако монтирате оборудване, различно от указаното, то може да падне или да се счупи и да причини нараняване или повреда на имущество.

Не подлагайте конзолата за закрепване към стена на никакъв друг товар, освен на този на телевизора или LCD монитора.

Не клатете телевизора или LCD монитора наляво/надясно, нагоре/надолу.

Ако го направите, телевизорът или LCD мониторът може да падне и да причини нараняване или повреда на имущество.

Не се облягайте и не се висете на телевизора или LCD монитора.

Не се облягайте и не увисвайте от телевизора или LCD монитора, защото може да падне и да причини сериозно нараняване.

ВНИМАНИЕ

Ако следните предпазни мерки не се спазват, може да възникне нараняване или повреда на имуществото.

- Непременно съхранявайте неизползваните части на безопасно място за бъдеща употреба. Дръжте частите далеч от деца.

Не третирайте продукта с прекалена сила по време на почистване или поддръжка.

Не прилагайте прекалена сила върху горната част на телевизора или LCD монитора. Ако го направите, телевизорът или LCD мониторът може да падне и да причини нараняване или повреда на имущество.

Предпазни мерки

- Ако дълго време използвате телевизор или LCD монитор, монтиран на конзола за закрепване към стена, стената зад или над него може да се обезцвети или тапетът да се разлепи, в зависимост от материала на стената.
- Ако конзолата за закрепване към стена бъде свалена от стената след монтажа, ще останат отвори от винтовете.
- Не използвайте конзолата за закрепване към стена на място, където може да бъде подложена на механични вибрации.

Монтаж на конзола за закрепване към стена

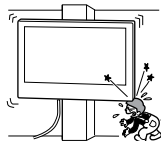
Към търговците на Sony

ПРЕДУПРЕЖДЕНИЕ

Следните инструкции са само за търговци на Sony. Прочетете мерките за безопасност, описани по-горе и обърнете специално внимание на безопасността по време на монтажа, поддръжката и инспекцията на продукта.

Не монтирайте конзолата за закрепване към стена на стенни повърхности, където ъглите или страните на телевизора или LCD монитора се подават настрани от повърхността на стената.

Не монтирайте конзолата за закрепване към стена на стенни повърхности, например колона, където ъглите или страните на телевизора или LCD монитора се подават настрани от повърхността на стената. Ако лице или предмет удари издадения ъгъл или страна на телевизора или LCD монитора, това може да причини нараняване или повреда на имущество.

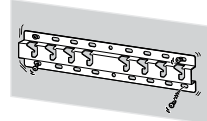


Не монтирайте телевизора или LCD монитора над или под климатик.

Ако телевизорът или LCD мониторът е изложен продължително на течове или въздушно течение от климатик, това може да предизвика пожар, електрически удар или неизправност на телевизора или LCD монитора.

Монтирайте здраво конзолата за закрепване към стена към стената като следвате инструкциите в това ръководство за употреба.

Ако някой от винтовете се разхлаби или падне, конзолата за закрепване към стена може да падне и да причини нараняване или повреда на имущество. Използвайте подходящи за материала на стената винтове и монтирайте конструкцията здраво като използвате четири или повече винта с диаметър 8 мм (или еквивалентни).



Използвайте правилно доставените винтове и окачващи части като следвате инструкциите в това ръководство за употреба. Ако използвате заместващи елементи, телевизорът или LCD мониторът може да падне и да причини телесна повреда или да се повреди.

Уверете се, че сглобявате конзолата правилно като следвате процедурата, описана в това ръководство за употреба.

Ако някой от винтовете се разхлаби или падне, телевизорът или LCD мониторът може да падне и да причини телесна повреда или да се повреди.

Затегнете здраво винтовете в указаното положение.

Ако не го направите, телевизорът или LCD мониторът може да падне и да причини телесна повреда или да се повреди.

Внимавайте да не ударите телевизора или LCD монитора по време на монтажа.

Ако телевизорът или LCD мониторът бъде подложен на удар, той може да падне или да се счупи. Това може да доведе до нараняване.

Монтирайте телевизора или LCD монитора на стена, която е перпендикулярна и равна.

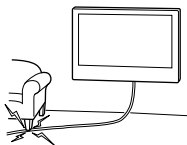
Ако не направите това, телевизорът или LCD мониторът може да падне и да причини нараняване.

След правилния монтаж на телевизора или LCD монитора, обезопасете правилно кабелите.

Ако хора или предмети се заплетат в кабелите, това може да причини нараняване или повреда на телевизора или LCD монитора.

Не допускайте притискане на захранващия кабел или на свързващия кабел.

Ако захранващият кабел или свързващият кабел бъдат притиснати между конструкцията и стената или ако бъдат огнати или усукани със сила, вътрешните проводници може да се оголят и да причинят късо съединение или да прекъснат. Това може да причини пожар или електрически удар.



Винтовете, необходими за закрепване към стената на конзолата за закрепване към стена, не са включени в комплекта.

Използвайте подходящи винтове според материала на стената и конструкцията, когато монтирате конзолата за закрепване към стена.

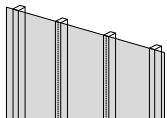
Преди да започнете

- Илюстрациите на телевизор или LCD монитор, показани в това ръководство, са примери, използвани за предоставяне на ясни обяснения на операциите. Поради тази причина, илюстрациите може да се различават от вашия телевизор или LCD монитор.

От какво е направена стената ви?

Първо проверете каква е стената, на която ще се монтира телевизорът или LCD мониторът.

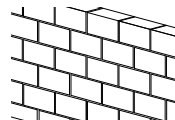
Суха стена (напр. гипсокартон) с дървени летви



Предпазни мерки

- Максимална дебелина на сухата стена: 16 мм.
- Уверете се, че размерите на вътрешните дървени летви са най-малко 51 мм × 102 мм за обикновени или 38 мм × 89 мм за тънки летви.

Плътен бетон или бетонни блокчета



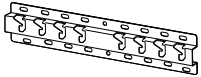








Предпазни мерки

- Монтирайте конзолата за закрепване към стена направо върху стената от плътен бетон.
- Уверете се, че дебелината на стената от плътен бетон е най-малко 203 мм.
- Уверете се, че размерите на всяко бетонно блокче са най-малко 203 мм × 203 мм × 406 мм.




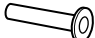

Проверка на частите

Доставено с SU-WL450


- Проверете дали всички части са налични.

<p>Ⓐ Основа (20) (x1)</p> 	<p>Ⓑ Ролка (x2)</p> 	<p>Ⓒ Винт (+PSW 6 x 20) (x4)</p> 	<p>Ⓔ Дистанционна втулка (20 мм) (x2)</p> 
<p>Ⓕ Колан (x1)</p> 	<p>Ⓘ Адаптер на основата (x2)</p> 	<p>Ⓙ Винт (+PSW 4 x 10) (x8)</p> 	<p>Ⓚ Дистанционна втулка (60 мм) (x2)</p> 
<p>Ⓛ Винт (+PSW 6 x 50) (x2)</p> 			

- Тези части може да не се използват за вашия модел.

<p>Ⓓ Винт (+PSW 4 x 20) с втулка (x2)</p> 	<p>ⓐ Втулка (20) (M4) (x2)</p> 	<p>ⓓ Винт (+PSW 4 x 20) (x2)</p> 	<p>Ⓜ Втулка (M4) (x2)</p> 
<p>Ⓝ Винт (+PSW 4 x 50) (x2)</p> 			

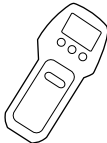

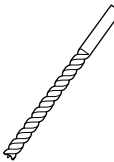
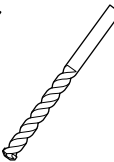
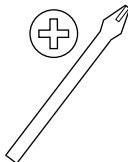
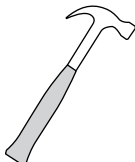
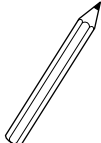
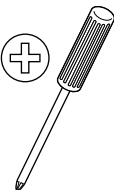
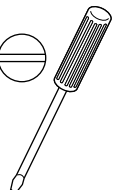





Доставено с телевизора или LCD монитора

<p>Приставка за закрепване към стена VS (x4)*</p> 

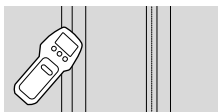
- * Само за определени региони/страни/модели.

Подготовка за монтаж

- Информацията за продукта и ръководството за настройка на телевизора или LCD монитора трябва да са под ръка преди започване на монтажа.
- Проверете положението за монтаж на телевизора или LCD монитора.
- Пригответе четири или повече винта с диаметър 8 мм и един винт с диаметър 5 мм или еквивалентни (не са включени в комплекта). Изберете винтове, подходящи за материала на стената.
- Подгответе следните инструменти:

*1 		 5,5 мм	 10 мм	
*2 		 1,5 N·m {15 kgf·cm}	*3  1,5 N·m {15 kgf·cm}	
	*2  (x4)	 (x4) 8 мм × 60 мм	 5 мм	
*4 				

*1 Само за суха стена с дървени летви



*2 Само за плътен бетон или бетонни блокчета

*3 В зависимост от модела

*4 Само за телевизор или LCD монитор 189,3 см (75 инча) и повече (с изключение на Египет)
Само за телевизор или LCD монитор 75 инча (189,3 см) и повече (само за Египет)

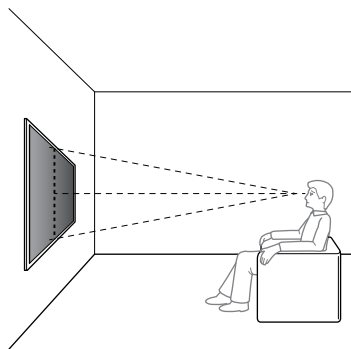
Монтиране на конзолата за закрепване към стена на стената

1 Изберете мястото на монтаж.

Уверете се, че на стената има достатъчно място за телевизора или LCD монитора и че тя е способна да издържи тежест, поне четирикратно превишаваща тази на телевизора или LCD монитора. Вижте информацията за продукта на телевизора или LCD монитора относно теглото му.

Забележка

- Когато вашият телевизор или LCD монитор е монтиран на стената, горната му част леко се накланя напред.
- Препоръчваме да проверите позицията на телевизора или LCD монитора в средата, в която ще се гледа.



2 Изберете стила за монтиране на стена, както е показано по-долу.

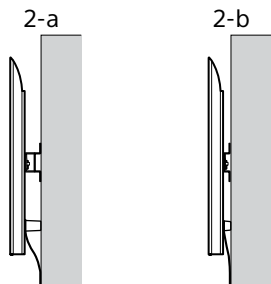
2-а: Стандартен монтаж

2-б: Прибран монтаж

- Вижте "Оразмеряване при монтажа на конзола за закрепване към стена" на страница 19.

ПРЕДУПРЕЖДЕНИЕ

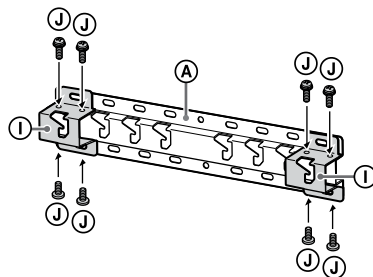
- Когато е избрано 2-б, достъпът до задните куплунзи е ограничен.



3 Ако е избран стандартен монтаж (2-а):

Монтирайте адаптера на основата ① към основата (20) ④ като използвате винтове (+PSW 4 × 10) ⑤.

- Вижте "Позиции на адаптера на основата ①" на страница 20.



Пример: Монтиране на адаптера на основата ① в позиция "а"

Ако е избран прибран монтаж (2-б):

Пропуснете тази стъпка.

4 Определете местата на винтовете за монтаж на основата (20) ④.

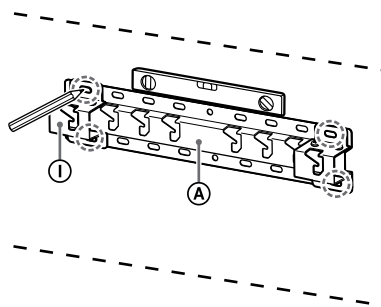
- Вижте "Спецификации" на страница 18.

ПРЕДУПРЕЖДЕНИЕ

- Определете здравината на стената, на която ще бъде монтиран телевизорът или LCD мониторът. Ако е необходимо, усилете стената достатъчно.
- Стената, на която ще бъде монтиран телевизорът или LCD мониторът, трябва да може да поддържа най-малко **четири пъти** теглото му. (Вижте информацията за продукта на телевизора или LCD монитора относно теглото му.)

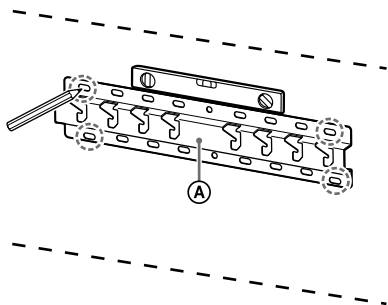
Ако е избран стандартен монтаж (2-а):

Използвайте позициите на отворите на адаптера на основата ①.



Пример: Маркиране на позиция "а" при монтиране на основата (20) ④

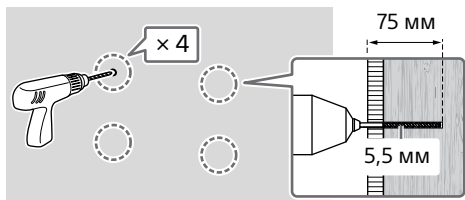
Ако е избран прибран монтаж (2-b):



Пример: Маркиране на позиция "а" при монтиране на основата (20) Ⓐ

5 Пробийте направляващи дупки на отбелязаните места. Уверете се, че мястото на стената, където ще пробивате дупките е достатъчно здраво, за да издържи тегло поне четири пъти по-голямо от това на телевизора или LCD монитора.

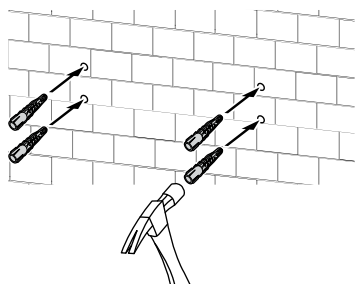
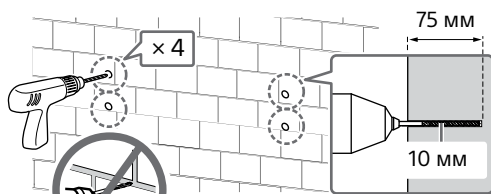
Пробиване на суха стена с дървени летви:



Забележка

- Контролните дупки трябва да се пробият на дълбочина 75 мм с помощта на свредло с диаметър 5,5 мм.

Пробиване на плътен бетон или бетонни блокчета:



6 Инсталирайте основата (20)

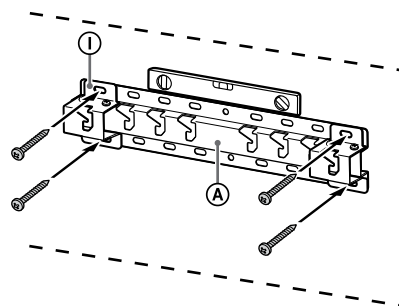
Ⓐ на стената с подходящи винтове (не са доставени).

Забележка

- Използвайте четири или повече винта с диаметър 8 мм или еквивалентни (не са доставени).
- С помощта на нивелир проверете дали основата (20) Ⓐ е хоризонтална.

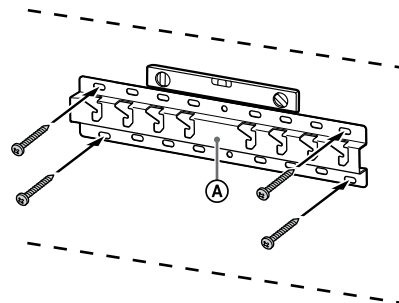
Ако е избран стандартен монтаж (2-a):

Закрепете четирите винта в отворите на адаптера на основата ① с основата (20) Ⓐ.



Пример: Монтиране на основата (20) Ⓐ в позиция "а"

Ако е избран прибран монтаж (2-b):



Пример: Монтиране на основата (20) Ⓐ в позиция "а"

7 Само KD-85X8xL / 85X8xBL / 75X8xL / 75X8xBL, KM-85X8xL / 75X8xL, XR-85X9xL / 75X9xL, XRM-85X9xL / 75X9xL

Отбележете мястото за монтаж на стената.

Използвайте хартиено тиксо или подобно (не е предоставено с комплекта), за да отбележите мястото на телевизора или LCD монитора, в близост до основата (20) Ⓐ или адаптера за основата ①.

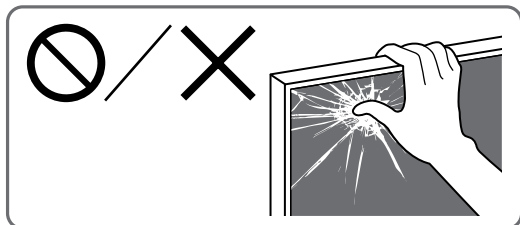
- Вижте "Маркиране на мястото на стената, на което ще се инсталира телевизора или LCD монитора" на страница 21.

С изключение на KD-85X8xL / 85X8xBL / 75X8xL / 75X8xBL, KM-85X8xL / 75X8xL, XR-85X9xL / 75X9xL, XRM-85X9xL / 75X9xL
Пропуснете тази стъпка.

Подготовка за монтаж на телевизора или LCD монитора

Забележка

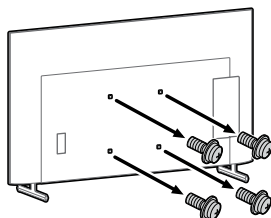
- Запазете свалените винтове и неизползваните части на сигурно място, далече от деца.



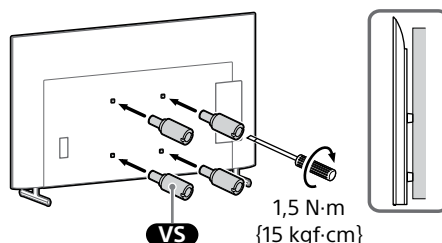
1 Прикачете стойката за маса, за да може телевизорът или LCD мониторът да бъде в стоящо положение.

- Вижте ръководство за настройка на вашия телевизор или LCD монитор.

2 Свалете винтовете от задната страна на телевизора или LCD монитора.



3 Поставете приставките за закрепване към стена **VS** (доставени с телевизора или LCD монитора) към гърба на телевизора или LCD монитора (за да стане успореден на стената).



Забележка

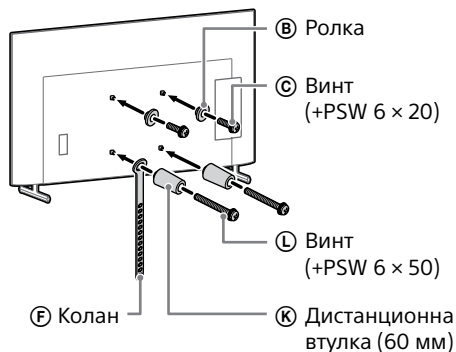
- Уверете се, че затягате приставките за закрепване към стена **VS**, когато ги закрепвате към телевизора или към LCD монитора.
Използвайте само плоска отвертка, когато монтирате приставките за закрепване към стена **VS**. Използването на друг инструмент може да доведе до прекалено затягане на приставките за закрепване към стена **VS** и повреда на телевизора или LCD монитора.

4 Монтирайте частите, с които телевизора се окачва на конзолата за закрепване към стена. Проверете частите като направите справка с "Доставено с SU-WL450" в "Проверка на частите" на страница 7.

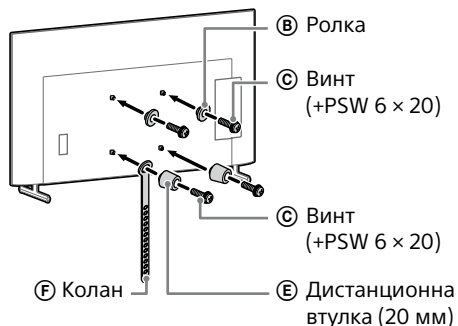
Забележка

- Здраво закрепете частите за окачване с помощта на винтове.
- Когато използвате електрическа отвертка, настройте въртящия момент приблизително на 1,5 N·m {15 kgf·cm}.

Ако е избран стандартен монтаж (2-a):



Ако е избран прибран монтаж (2-b):



5 Свържете необходимите кабели към телевизора или LCD монитора.

Уверете се, че сте свързали кабелите преди да монтирате телевизора или LCD монитора на стената. Няма да можете да ги свържете, след като телевизорът или LCD мониторът е монтиран.

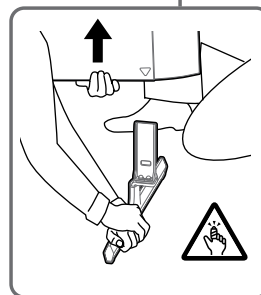
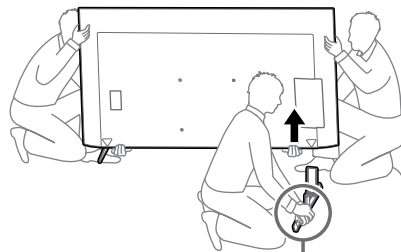
Забележка

- Възложете прокарването на кабелите в стената на лицензиран подизпълнител.
- Групирайте свързващите кабели преди монтирането към стената, за да не стъпите върху тях.

6 Свалете поставката за маса от телевизора или LCD монитора. Следната илюстрация е пример за операцията.

С изключение на KD-75X85L / 65X85L / 65X85BL / 55X85L, KM-75X85L / 65X85L / 55X85L, XR-85X90L / 75X90L / 65X90L / 55X90L, XRM-85X90L / 75X90L / 65X90L / 55X90L

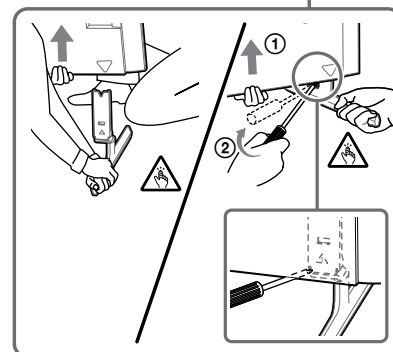
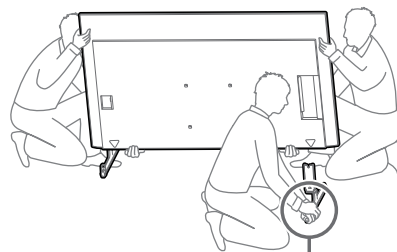
- Отстранете една по една частите на стойката за маса. Дръжте здраво стойката за маса от едната страна, стабилно с двете си ръце, докато други повдигат телевизора или LCD монитора.



- Повторете предишната стъпка и отстранете стойката за маса и от другата страна.

Само KD-75X85L / 65X85L / 65X85BL / 55X85L, KM-75X85L / 65X85L / 55X85L

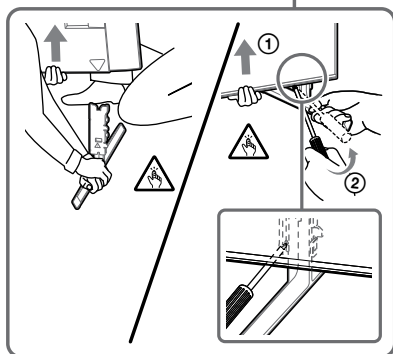
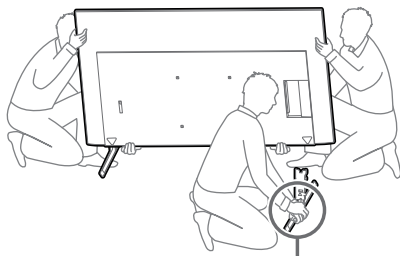
- Отстранете една по една частите на стойката за маса. Дръжте здраво стойката за маса от едната страна, стабилно с двете си ръце, докато други повдигат телевизора или LCD монитора.



- Повторете предишната стъпка и отстранете стойката за маса и от другата страна.

Само XR-85X90L / 75X90L / 65X90L / 55X90L, XRM-85X90L / 75X90L / 65X90L / 55X90L

- Отстранете една по една частите на стойката за маса. Дръжте здраво стойката за маса от едната страна, стабилно с двете си ръце, докато други повдигат телевизора или LCD монитора.



- Повторете предишната стъпка и отстранете стойката за маса и от другата страна.

Забележка

- Свалянето на поставката за маса следва да се извърши от трима или повече души.
- Внимавайте да не прилагате прекомерна сила, когато сваляте поставката за маса от телевизора или LCD монитора, тъй като телевизорът или LCD мониторът може да падне и да причини телесно нараняване или самият телевизор или LCD монитор да се повреди.
- Бъдете внимателни, когато работите с поставката за маса, за да не повредите телевизора или LCD монитора.
- Внимавайте, когато повдигате телевизора или LCD монитора, тъй като стойката за маса не е закачена и може да се преобърне и да причини нараняване.
- Внимавайте, когато премахвате стойката за маса от телевизора или LCD монитора, за да предотвратите падането ѝ и нараняването на повърхността, върху която стои телевизора или LCD монитора.

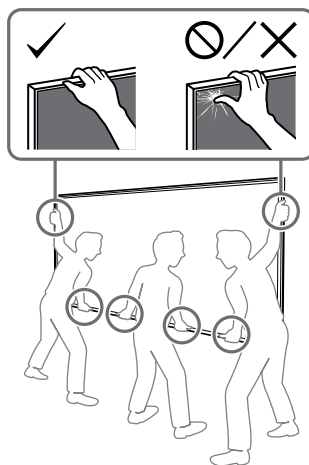
Монтаж на телевизора или LCD монитора на стената

Само KD-85X8xL / 85X8xBL / 75X8xL / 75X8xBL, KM-85X8xL / 75X8xL, XR-85X9xL / 75X9xL, XRM-85X9xL / 75X9xL

ПРЕДУПРЕЖДЕНИЕ

- Необходими са две или повече лица (три или повече лица за телевизори или LCD монитори от или над 189,3 см (75 инча)) за транспортиране на голям телевизор или LCD монитор (с изключение на Египет).
Необходими са две или повече лица (три или повече лица за телевизори или LCD монитори от или над 75 инча (189,3 см)) за транспортиране на голям телевизор или LCD монитор (само за Египет).

BG



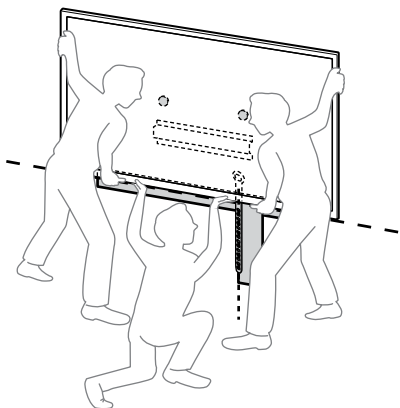
1 Повдигнете телевизора или LCD монитора.

- Позициите за окачване на ролките ② върху основата (20) ① или върху адаптера на основата ①, можете да видите в "Позиции на адаптера на основата ①" на страница 20.
- Уверете се, че задната страна на телевизора или LCD монитора докосва основата (20) ① или адаптера на основата ①, когато държите телевизора или LCD монитора.

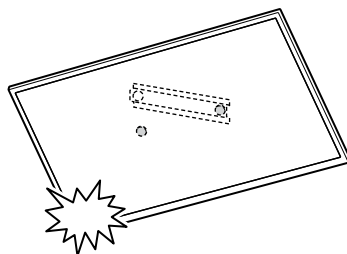
Забележка

- Дръжте здраво телевизора или LCD монитора с две ръце и се уверете, че коланът ③ и долната страна на телевизора или LCD монитора са наравно с хартиено тиксо.

- Телевизорът или LCD мониторът трябва да се носи от трима души, и този който е пред телевизора или LCD монитора трябва да води останалите, за да регулират позицията.

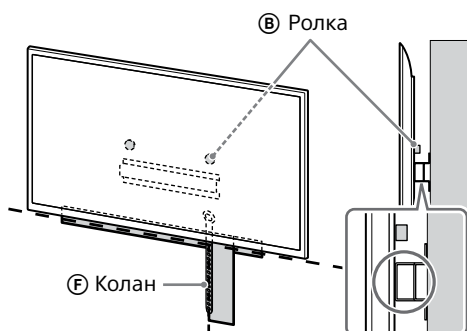


- Бавно пуснете и двете си ръце, за да сте сигурни, че телевизорът или LCD мониторът няма да падне.



- След като монтирате телевизора или LCD монитора към стената, премахнете хартиеното тиксо и пр. от стената.

- Много внимавайте, когато монтирате телевизора или LCD монитора към стената, особено пазете човека, който го държи отдолу, тъй като телевизорът или LCD мониторът може да падне и да причини сериозно нараняване или дори смърт.

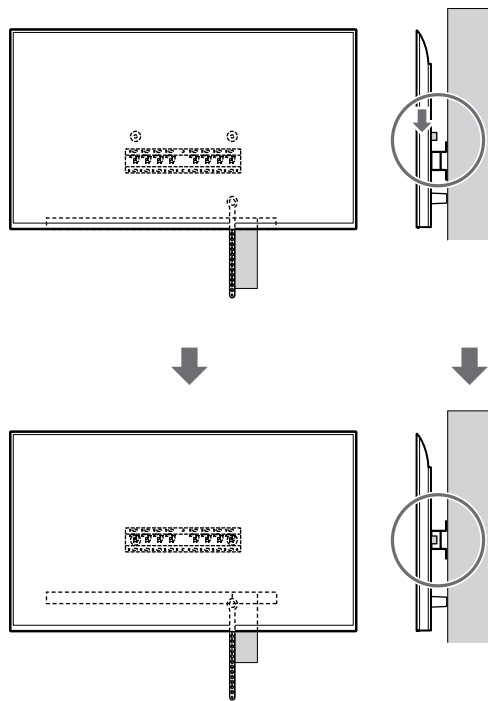
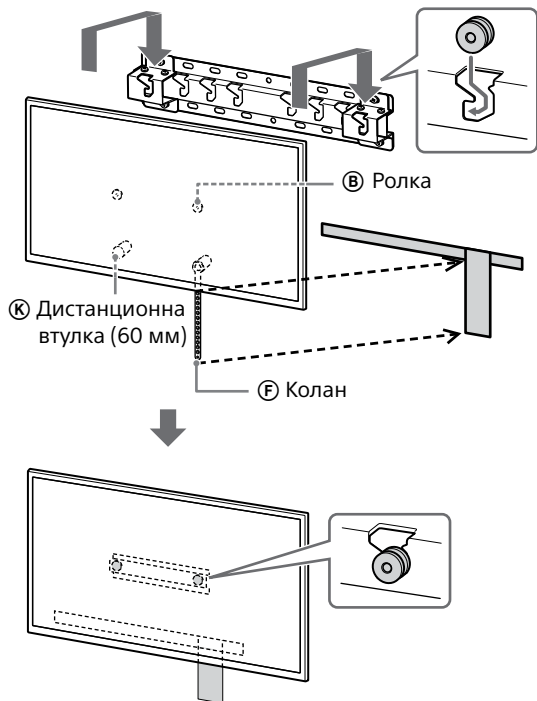


2 Поставете телевизора или LCD монитора върху основата (20)

Ⓐ или адаптера на основата
Ⓛ.

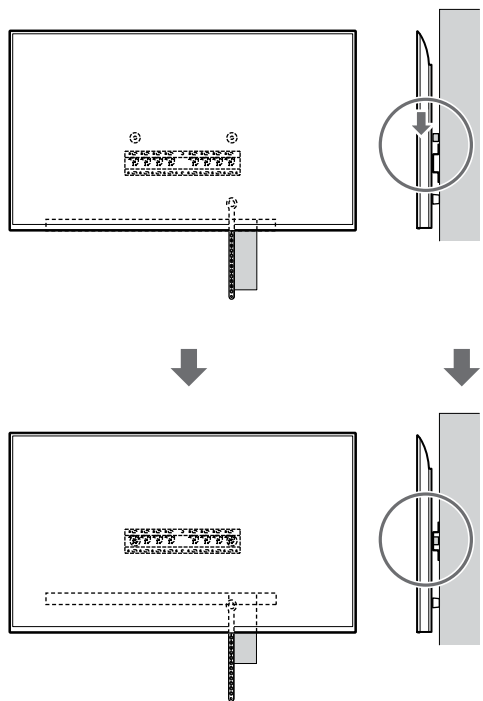
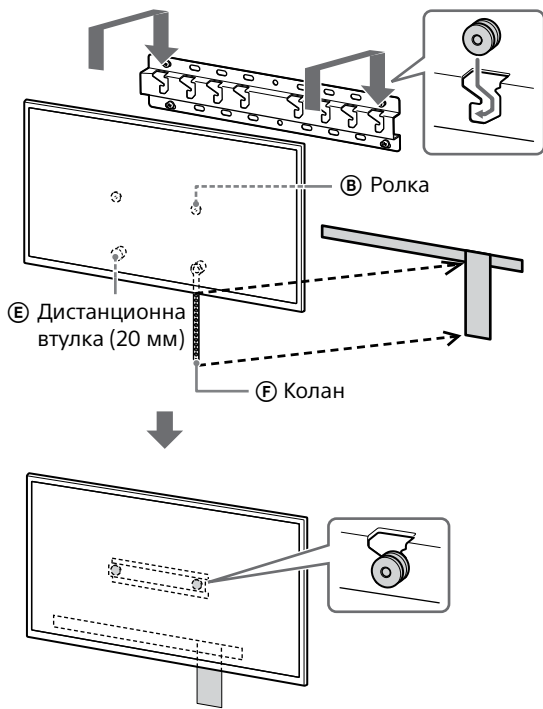
- Внимателно плъзнете надолу телевизора или LCD монитора и закачете ролките Ⓑ, закрепени към задната страна на телевизора или LCD монитора, към основата (20) Ⓐ или адаптера за основата Ⓛ, като предварително проверите формата на отворите.
- След монтажа на телевизора или LCD монитора проверете дали ролките Ⓑ са здраво закачени към основата (20) Ⓐ или адаптера на основата Ⓛ.

Ако е избран стандартен монтаж (2-а):



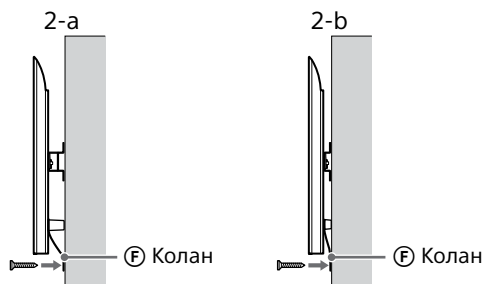
BG

Ако е избран прибран монтаж (2-б):



3 Предотвратяване на преместването на долната част на телевизора или LCD монитора.

- Издърпайте отпуснатата част на коланата (E) и я прикрепете плътно към стената.



- Използвайте винт с диаметър 5 мм или еквивалентен (не е включен в комплекта).

Забележка

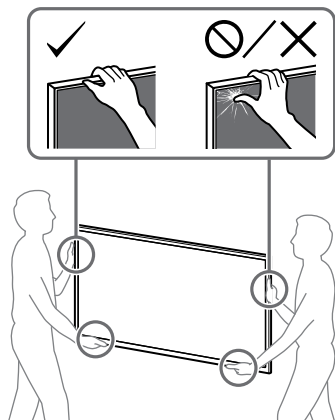
- Опитайте леко да издърпате долната част на телевизора или LCD монитора, към себе си за да се уверите, че няма да се премести. Ако се премести, той не е закрепен правилно и коланът (E) трябва отново да се закрепи здраво.

С изключение на KD-85X8xL / 85X8xBL / 75X8xL / 75X8xBL, KM-85X8xL / 75X8xL, XR-85X9xL / 75X9xL, XRM-85X9xL / 75X9xL

ПРЕДУПРЕЖДЕНИЕ

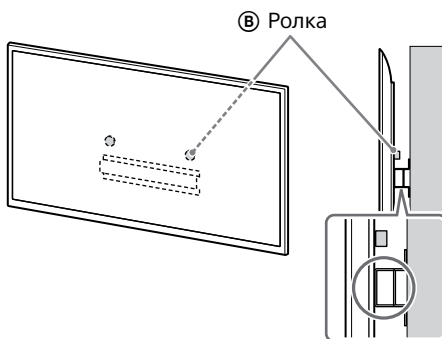
- Необходими са две или повече лица (три или повече лица за телевизори или LCD монитори от или над 189,3 см (75 инча)) за транспортиране на голям телевизор или LCD монитор (с изключение на Египет).

Необходими са две или повече лица (три или повече лица за телевизори или LCD монитори от или над 75 инча (189,3 см)) за транспортиране на голям телевизор или LCD монитор (само за Египет).



1 Повдигнете телевизора или LCD монитора.

- Позициите за окачване на ролките (B) върху основата (20) (A) или върху адаптера на основата (1), можете да видите в "Позиции на адаптера на основата (1)" на страница 20.
- Уверете се, че задната страна на телевизора или LCD монитора докосва основата (20) (A) или адаптера на основата (1), когато държите телевизора или LCD монитора.

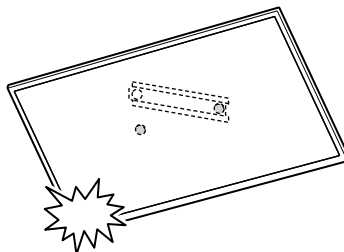


Забележка

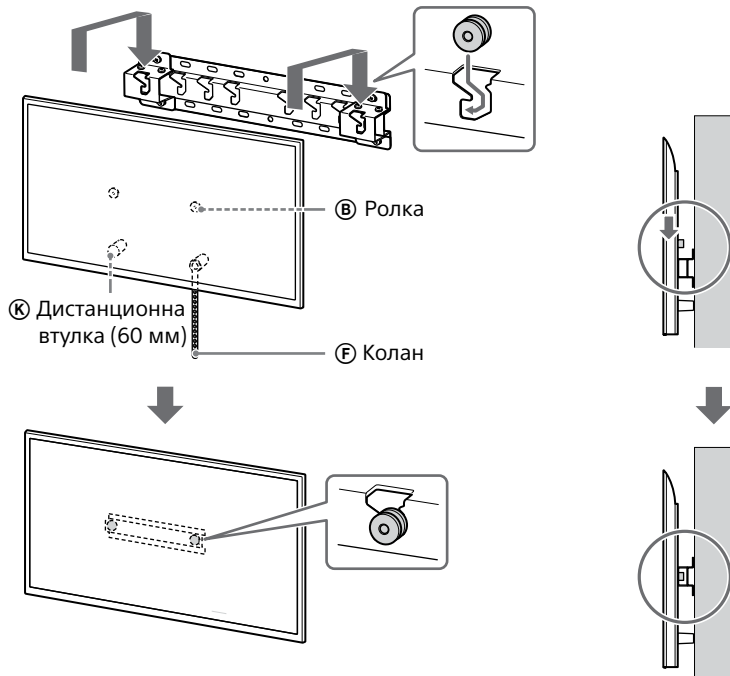
- Дръжте телевизора или LCD монитора здраво с две ръце.

2 Поставете телевизора или LCD монитора върху основата (20) (A) или адаптера на основата (1).

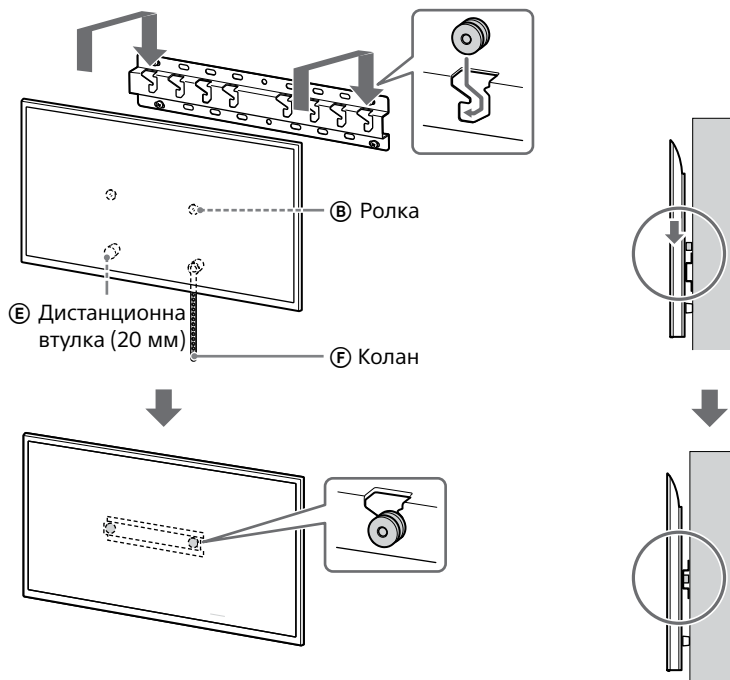
- Внимателно плъзнете надолу телевизора или LCD монитора и закачете ролките (B), закрепени към задната страна на телевизора или LCD монитора, към основата (20) (A) или адаптера за основата (1), като предварително проверите формата на отворите.
- След монтажа на телевизора или LCD монитора проверете дали ролките (B) са здраво закачени към основата (20) (A) или адаптера на основата (1).
- Бавно пуснете и двете си ръце, за да сте сигурни, че телевизорът или LCD мониторът няма да падне.



Ако е избран стандартен монтаж (2-а):

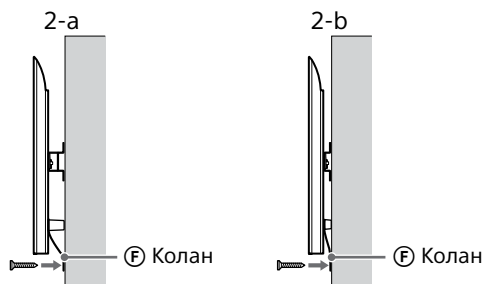


Ако е избран прибран монтаж (2-b):



3 Предотвратяване преместването на долната част на телевизора или LCD монитора.

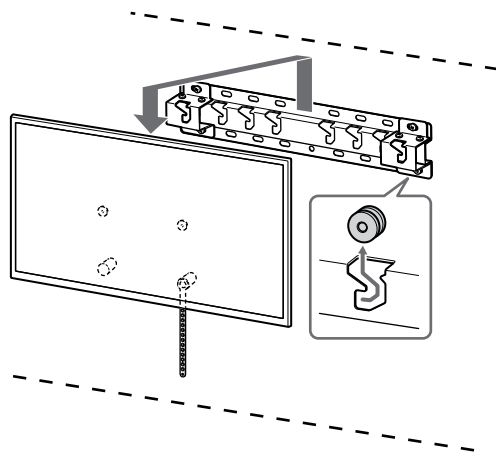
- Издърпайте отпуснатата част на колана **Ⓕ** и я прикрепете плътно към стената.



- Използвайте винт с диаметър 5 мм или еквивалентен (не е включен в комплекта).

Забележка

- Опитайте леко да издърпате долната част на телевизора или LCD монитора, към себе си да се уверите, че няма да се премести. Ако се премести, той не е закрепен правилно и коланът **Ⓕ** трябва отново да се закрепи здраво.



ПРЕДУПРЕЖДЕНИЕ

- Необходими са две или повече лица (три или повече лица за телевизори или LCD монитори от или над 189,3 см (75 инча)) за транспортиране на голям телевизор или LCD монитор (с изключение на Египет).
Необходими са две или повече лица (три или повече лица за телевизори или LCD монитори от или над 75 инча (189,3 см)) за транспортиране на голям телевизор или LCD монитор (само за Египет).

Потвърдете приключването на монтажа

Проверете следните точки.

- Ролките **Ⓑ** са закачени здраво за основата (20) **Ⓐ** или адаптера на основата **Ⓘ**.
- Кабелите не са усукани или притиснати.
- Коланът **Ⓕ** е затегнат и няма хлабина.

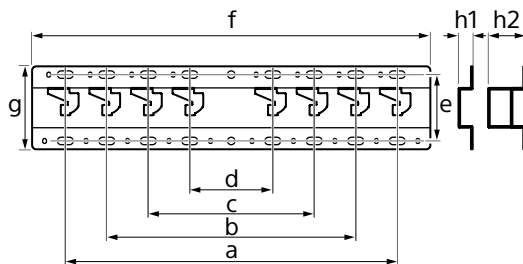
ПРЕДУПРЕЖДЕНИЕ

- Неправилното поставяне на захранващия кабел и т.н. може да причини пожар или електрически удар поради късо съединение. С оглед на безопасността проверете дали монтажът е завършен.

Друга информация

Когато сваляте телевизора или LCD монитора, изпълнете процедурата на монтажа в обратен ред.

Спецификации



Размери: (прибл.) [мм]

a : 400
b : 300
c : 200
d : 100
e : 80
f : 480
g : 100

h1 : 20 (за прибран монтаж, 2-b)
h2 : 60 (за стандартен монтаж, 2-a)

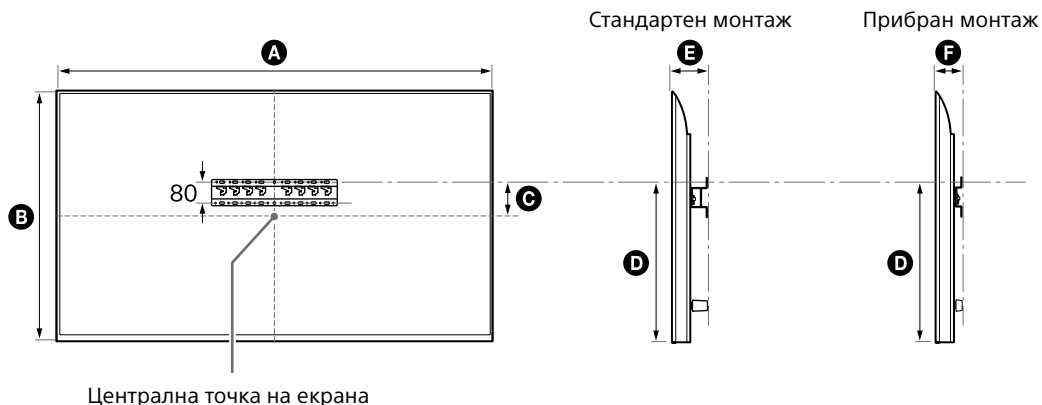
Тегло (само на основата): (прибл.) [kg]
0,8

Дизайнът и спецификациите подлежат на промяна без предупреждение.

Препратки

Оразмеряване при монтажа на конзола за закрепване към стена

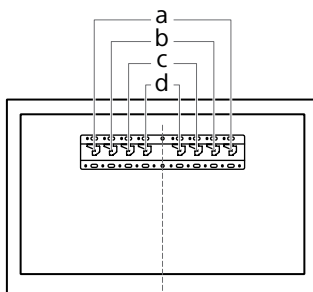
Числата в таблицата може леко да се различават в зависимост от начина на извършване на монтажа.



(мм)

Име на модел	A	B	C	D	E	F
KD-85X81BL / 85X80L KM-85X80L	1901	1090	43	592	138	96
XR-85X90L XRM-85X90L	1891	1085	58	607	125	83
KD-75X85L KM-75X85L	1671	960	21	508	123	81
KD-75X81BL / 75X80L KM-75X80L	1675	962	12	493	137	95
XR-75X90L XRM-75X90L	1668	959	21	508	123	81
KD-65X85L / 65X85BL KM-65X85L	1447	832	85	505	123	81
KD-65X81BL / 65X80L KM-65X80L	1452	836	76	494	135	93
XR-65X90L XRM-65X90L	1445	831	85	505	123	81
KD-55X85L KM-55X85L	1228	709	146	505	122	81
KD-55X81BL / 55X80L KM-55X80L	1233	713	133	494	135	93
XR-55X90L XRM-55X90L	1225	707	146	505	122	81
KD-50X80L KM-50X80L	1119	649	63	392	133	91
KD-43X80L KM-43X80L	964	563	111	392	133	91

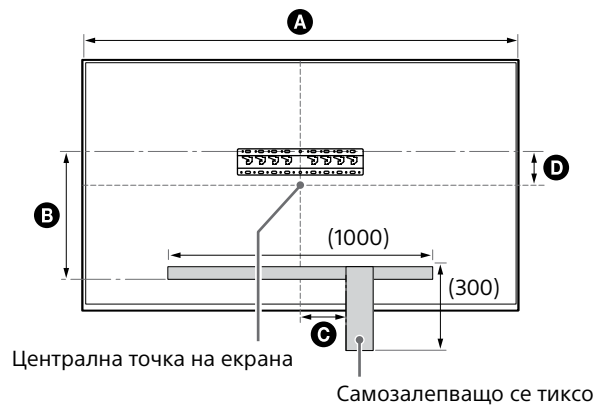
Позиции на адаптера на основата ①



Име на модел	Позиция на куката
KD-85X81BL / 85X80L KM-85X80L XR-85X90L XRM-85X90L	a
KD-75X85L / 75X81BL / 75X80L KM-75X85L / 75X80L XR-75X90L XRM-75X90L	b
KD-65X85L / 65X85BL / 65X81BL / 65X80L KM-65X85L / 65X80L XR-65X90L XRM-65X90L	b

Име на модел	Позиция на куката
KD-55X85L / 55X81BL / 55X80L KM-55X85L / 55X80L XR-55X90L XRM-55X90L	b
KD-50X80L KM-50X80L	c
KD-43X80L KM-43X80L	c

Маркиране на мястото на стената, на което ще се инсталира телевизора или LCD монитора



(мм)

Име на модел	A	B	C	D
KD-85X81BL / 85X80L KM-85X80L	1901	472	200	43
XR-85X90L XRM-85X90L	1891	486	200	58
KD-75X85L KM-75X85L	1671	388	150	21
KD-75X81BL / 75X80L KM-75X80L	1675	373	150	12
XR-75X90L XRM-75X90L	1668	388	150	21

BG

Сведения об использовании кронштейна для настенной установки Sony (SU-WL450)

Поддерживаемые модели*:

* В актуальных именах моделей знак "x"/"xx" обозначает числа и/или символы, характерные для каждой модели.

KD-85X8xL / 85X8xBL / 75X8xL / 75X8xBL / 65X8xL / 65X8xBL / 55X8xL / 55X8xBL / 50X8xL / 43X8xL

KM-85X8xL / 75X8xL / 65X8xL / 55X8xL / 50X8xL / 43X8xL

XR-85X9xL / 75X9xL / 65X9xL / 55X9xL

XRМ-85X9xL / 75X9xL / 65X9xL / 55X9xL

К сведению покупателей

Для обеспечения сохранности изделия и из соображений безопасности компания Sony настоятельно рекомендует привлекать для установки телевизора или ЖК-Монитора только дилеров или лицензированных подрядчиков Sony. Не пытайтесь выполнить установку самостоятельно.

К сведению дилеров и подрядчиков Sony

Уделяйте повышенное внимание безопасности во время установки, периодического обслуживания и осмотра данного изделия.

Для правильной установки данного изделия необходим достаточный опыт, в особенности при определении того, в состоянии ли стена выдержать вес телевизора или ЖК-Монитора. Обязательно привлечите для установки этого изделия на стену дилеров или лицензированных подрядчиков Sony и строго соблюдайте технику безопасности при выполнении работ по установке. Компания Sony не несет ответственности за любые поломки или травмы, вызванные неправильным обращением с изделием или его неправильной установкой.

Для безопасной и надлежащей установки см. инструкции по эксплуатации кронштейна для настенной установки, руководство по установке телевизора или ЖК-Монитора и указания данного руководства.

Название продукта Кронштейн для настенной установки:

Кронштейн для настенной установки

Безопасность

Благодарим за покупку этого изделия.

К сведению покупателей

Установка телевизора или ЖК-Монитора на стену



ТРЕБУЕТСЯ ПРОФЕССИОНАЛЬНАЯ УСТАНОВКА

Данное изделие должен устанавливать квалифицированный специалист, умеющий определять прочность стены, которая должна выдерживать вес телевизора или ЖК-Монитора. Если телевизор или ЖК-Монитор не закрепить должным образом при установке, он может упасть и причинить тяжелые травмы. Компания Sony не несет ответственность за любые повреждения или травмы, вызванные неправильным обращением или ненадлежащей установкой, либо установкой любого другого изделия, кроме указанного. Это не влияет на ваши законные права (если таковые имеются).

Для дилеров Sony

Для установки данного изделия требуется достаточный опыт. Для безопасной установки устройства обязательно внимательно прочтите настоящее руководство по эксплуатации. Sony не несет ответственности в случае повреждения или получения травм в результате неправильного обращения или ненадлежащей установки. По окончании установки передайте это руководство покупателю.

В этом руководстве по эксплуатации приведены важные меры предосторожности и информация по обеспечению надлежащего обращения с изделием, которые необходимы для предотвращения несчастных случаев. Вы обязаны прочитать, полностью понять и соблюдать все инструкции, изложенные в настоящем руководстве по эксплуатации. Несоблюдение этого требования может привести к тяжелым травмам или повреждению имущества и стать причиной аннулирования гарантии. Сохраните настоящее руководство для использования в будущем.

Изделия Sony разработаны с учетом требований по безопасности. Однако неправильное использование изделий может стать причиной получения серьезных травм вследствие поражения электрическим током, возгорания, опрокидывания или падения изделия. Во избежание возникновения таких несчастных случаев обязательно соблюдайте соответствующие меры предосторожности.

Дата изготовления указана на изделии и упаковке на этикетке со штрих-кодом в следующем формате: YYYY/MM, где YYYY - год, MM - месяц изготовления.

Производитель: Сони Корпорейшн,
1-7-1 Коан Минато-ку Токио,
108-0075 Япония
Сделано в Китае

Организация, уполномоченная принимать претензии от потребителей на территории Казахстана
АО «Сони Электроникс»
Представительство в Казахстане,
050010, Республика Казахстан, г. Алматы, пр. Достык, дом 117/7

Импортер на территории стран Таможенного союза:
АО «Сони Электроникс», Россия, 123103, Москва, Карамышевский проезд, 6

ВНИМАНИЕ

Указанные изделия

Данный кронштейн для настенной установки предназначен для отдельных моделей телевизоров или ЖК-Мониторов. См. справочник к телевизору или ЖК-Монитору для проверки возможности использования кронштейна для настенной установки.

К сведению покупателей

ПРЕДУПРЕЖДЕНИЕ

Несоблюдение приведенных ниже мер предосторожности может стать причиной смерти или получения серьезных травм вследствие поражения электрическим током, возгорания, опрокидывания или падения изделия.

Обязательно обратитесь к лицензированному подрядчику, а также не допускайте того, чтобы дети находились вблизи места установки изделия.

Неправильная установка кронштейна для настенной установки или телевизора или ЖК-Монитора может стать причиной перечисленных ниже несчастных случаев. Для выполнения установки обязательно обратитесь к лицензированным подрядчикам.

- Телевизор или ЖК-Монитор может упасть и стать причиной получения серьезных травм, например ушибов или переломов.

- Если стена, на которой выполняется установка кронштейна для настенной установки, неустойчивая, неровная или не вертикальная, изделие может упасть и получить повреждения или стать причиной травм или повреждения имущества. Стена должна выдерживать вес, по крайней мере, в четыре раза превышающий вес телевизора или ЖК-Монитора. (Чтобы узнать вес телевизора или ЖК-Монитора, см. справочник.)
- Если установка кронштейна для настенной установки выполняется на недостаточно прочной стене, изделие может упасть и получить повреждения или стать причиной травм или повреждения имущества.

Меры предосторожности в отношении детей

- Не позволяйте детям взбираться на телевизор или ЖК-Монитор.
- Храните мелкие детали вне досягаемости детей, чтобы они не могли случайно проглотить их.

Для перемещения или демонтажа телевизора или ЖК-Монитора обязательно обратитесь к лицензированным подрядчикам.

Если транспортировка или демонтаж телевизора или ЖК-Монитора выполняется не лицензированными подрядчиками, он может упасть и стать причиной травм или повреждения имущества. Для переноски телевизора или ЖК-Монитора больших размеров требуются два или более человек (три или более человек для переноски телевизора или ЖК-Монитора с диагональю 189,3 см (75 дюймов) и более) (кроме Египта). Для переноски телевизора или ЖК-Монитора больших размеров требуются два или более человек (три или более человек для переноски телевизора или ЖК-Монитора с диагональю 75 дюймов (189,3 см) и более) (только Египет).

После монтажа телевизора или ЖК-Монитора не вынимайте винты и т. д.

В противном случае телевизор или ЖК-Монитор может упасть и стать причиной травм или повреждения имущества.

Не разбирайте и не меняйте детали кронштейна для настенной установки.

В противном случае кронштейн для настенной установки может упасть и стать причиной травм или повреждения имущества.

RU

Не устанавливайте на кронштейн какое-либо другое оборудование, кроме указанного.

Этот кронштейн для настенной установки предназначен для использования только с указанными изделиями. Если на данном монтажном кронштейне крепится оборудование, не предназначенное для такой установки, оно может упасть или получить повреждения, а также может стать причиной травм или повреждения имущества.

Во избежание перегрузки кронштейна для настенной установки не устанавливайте на нем ничего, кроме телевизора или ЖК-Монитора.

Не трясите телевизор или ЖК-Монитор влево/вправо, вверх/вниз.

В противном случае телевизор или ЖК-Монитор может упасть и стать причиной травм или повреждения имущества.

Не опирайтесь на телевизор или ЖК-Монитор и не держитесь за него.

Не опирайтесь на телевизор или ЖК-Монитор и не держитесь за него, так как он может упасть и стать причиной получения серьезных травм.

ВНИМАНИЕ

При несоблюдении следующих мер предосторожности существует вероятность получения травм или повреждения имущества.

- Обязательно сохраните в безопасном месте неиспользованные детали для использования в дальнейшем. Храните их вне досягаемости детей.

Чистку устройства или уход за ним необходимо осуществлять, не прикладывая чрезмерных усилий.

Не перегружайте верхнюю часть телевизора или ЖК-Монитора. В противном случае телевизор или ЖК-Монитор может упасть и стать причиной травм или повреждения имущества.

Меры предосторожности

- Если телевизор или ЖК-Монитор, установленный на кронштейне для настенной установки, используется в течение длительного времени, то в зависимости от материала стены позади или над телевизором или ЖК-Монитором могут вывестись стены или отстать обои.
- После демонтажа кронштейна для настенной установки в стене останутся отверстия.
- Не используйте кронштейн для настенной установки в местах с механическими вибрациями.

Порядок установки кронштейна для настенной установки

Для дилеров Sony

ПРЕДУПРЕЖДЕНИЕ

Следующие инструкции предназначены только для дилеров Sony. Обязательно прочтите правила техники безопасности и соблюдайте особые меры предосторожности во время установки, обслуживания и проверки данного изделия.

Не устанавливайте кронштейн для настенной установки на таких стенах, где края телевизора или ЖК-Монитора будут выступать за края стены.

Не устанавливайте кронштейн для настенной установки на таких поверхностях стен (например, на колоннах), где края телевизора или ЖК-Монитора будут выступать за края поверхности стены. Задев за выступающие края телевизора или ЖК-Монитора, можно получить травму или повредить имущество.

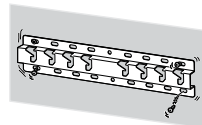


Не устанавливайте телевизор или ЖК-Монитор под кондиционером или над ним.

Если в течение продолжительного промежутка времени телевизор или ЖК-Монитор подвержен воздействию конденсата или потока воздуха из кондиционера, это может стать причиной возгорания, поражения электрическим током или неисправности телевизора или ЖК-Монитора.

Обязательно надежно прикрепите кронштейн для настенной установки к стене, следуя инструкциям, приведенным в настоящем руководстве по эксплуатации.

Если какой-либо из винтов ослаблен или выпал, кронштейн для настенной установки может упасть и стать причиной травм или повреждения имущества. При выполнении монтажа обязательно используйте винты, которые соответствуют материалу стены, и надежно установите устройство, используя не менее четырех винтов 8 мм (или аналогичных).



Обязательно используйте входящие в комплект винты и детали для крепления и строго следуйте инструкциям, приведенным в данном руководстве по эксплуатации. Если при установке телевизора или ЖК-Монитора были использованы иные крепежные материалы, телевизор или ЖК-Монитор может упасть и получить повреждения или стать причиной травм.

Обязательно выполняйте сборку кронштейна, точно следуя инструкциям, изложенным в настоящем руководстве по эксплуатации.

Если какой-либо из винтов ослаблен или выпал, телевизор или ЖК-Монитор может упасть, что может стать причиной повреждения телевизора или ЖК-Монитора или получения травм.

Надежно затяните винты в предназначенных для них крепежных отверстиях.

В противном случае, телевизор или ЖК-Монитор может упасть, что может стать причиной повреждения телевизора или ЖК-Монитора или получения травм.

Следите за тем, чтобы во время установки телевизор или ЖК-Монитор не подвергался воздействию толчков.

Толчки могут вызвать падение и порчу телевизора или ЖК-Монитора. Это может привести к травме.

Устанавливайте телевизор или ЖК-Монитор на стене только в том случае, если она плоская и расположена под прямым углом к полу.

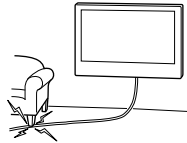
В противном случае телевизор или ЖК-Монитор может упасть и стать причиной травм.

После надлежащей установки телевизора или ЖК-Монитора обеспечьте безопасное расположение кабелей.

Кабели, представляющие препятствия для людей и объектов, могут стать причиной получения серьезных травм или повреждения телевизора или ЖК-Монитора.

Не допускайте защемления кабеля питания и соединительных кабелей.

Если кабель питания или соединительный кабель будет зажат между устройством и стеной или с силой изогнут или перекручен, то изоляция внутренних проводов может быть нарушена, что может стать причиной короткого замыкания или обрыва. Это может вызвать возгорание или привести к поражению электрическим током.



Винты, крепящие кронштейны для настенной установки к стене, в комплект поставки не входят.

При монтаже кронштейна для настенной установки используйте винты, соответствующие материалу и структуре стены.

Изделия должны храниться в картонной упаковке в темном, сухом, чистом и хорошо вентилируемом помещении в удалении от мест хранения кислот и щелочей. Температура хранения: от -20 °C до +60 °C. Влажность хранения: < 80 %.

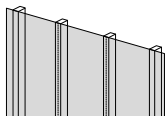
Перед началом работы

- Рисунки телевизора или ЖК-Монитора, приведенные в этом руководстве, являются примерами, используемыми для объяснения операций. По этой причине рисунки могут отличаться от вашего телевизора или ЖК-Монитора.

Каков материал стены?

Прежде всего проверьте тип стены, на которую устанавливается телевизор или ЖК-Монитор.

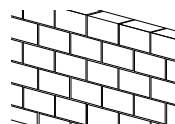
Стена из гипсокартона со стойками



Меры предосторожности

- Максимальная толщина сухой стены: 16 мм.
- Убедитесь, что внутренний размер деревянного стержня не менее 51 мм × 102 мм в качестве стандартного или 38 мм × 89 мм в качестве номинального.

Монолитная бетонная конструкция или бетонный блок



Меры предосторожности

- Устанавливайте кронштейн для настенной установки непосредственно на сплошную бетонную стену.
- Убедитесь, что толщина сплошной бетонной стены составляет не менее 203 мм.
- Убедитесь, что размер каждого бетонного блока составляет не менее 203 мм × 203 мм × 406 мм.






Проверка комплектации

Прилагается к SU-WL450


- Проверьте комплектность товара.

<p>А Основание (20) (x1)</p> 	<p>Б Шкив (x2)</p> 	<p>В Вит (+PSW 6 x 20) (x4)</p> 	<p>Г Прокладка (20 мм) (x2)</p> 
<p>Д Лента (x1)</p> 	<p>И Адаптер основания (x2)</p> 	<p>Ж Вит (+PSW 4 x 10) (x8)</p> 	<p>З Прокладка (60 мм) (x2)</p> 
<p>И Вит (+PSW 6 x 50) (x2)</p> 			

- Эти детали могут не использоваться для вашей модели.

<p>К Вит (+PSW 4 x 20) с втулкой (x2)</p> 	<p>Л Втулка (20) (M4) (x2)</p> 	<p>М Вит (+PSW 4 x 20) (x2)</p> 	<p>Н Втулка (M4) (x2)</p> 
<p>О Вит (+PSW 4 x 50) (x2)</p> 			

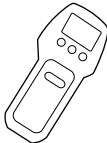

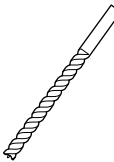
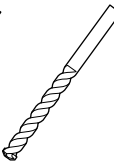
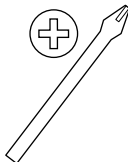
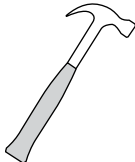
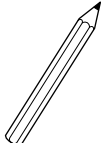
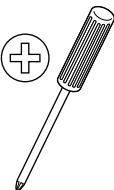
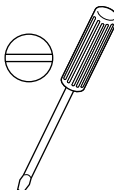





Прилагается к телевизору или ЖК-Монитору

<p>Крепление для настенной установки VS (x4)*</p> 

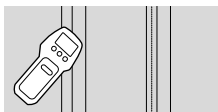
- * Только для определенных регионов/стран/моделей.

Подготовка к установке

- Во время установки справочник и руководство по установке телевизора или ЖК-Монитора всегда должны быть под рукой.
- Выберите место установки телевизора или ЖК-Монитора.
- Подготовьте четыре или более винтов диаметром 8 мм и один винт диаметром 5 мм или его эквивалент (не входит в комплект поставки). Выберите винты в соответствии с материалом стены.
- Подготовьте следующие инструменты:

*1 		 5,5 мм	 10 мм	
*2 		 1,5 Н·м {15 кгс·см}	*3  1,5 Н·м {15 кгс·см}	
	*2  (x4)	 (x4) 8 мм × 60 мм	 5 мм	
*4 				

*1 Только для гипсокартона с дюбелями



*2 Только для полнотелого бетона или бетонных блоков

*3 в зависимости от модели

*4 Только для телевизора или ЖК-Монитора с диагональю 189,3 см (75 дюймов) и больше (кроме Египта)
Только для телевизора или ЖК-Монитора с диагональю 75 дюймов (189,3 см) и больше (только Египет)

Монтаж кронштейна для настенной установки на стену

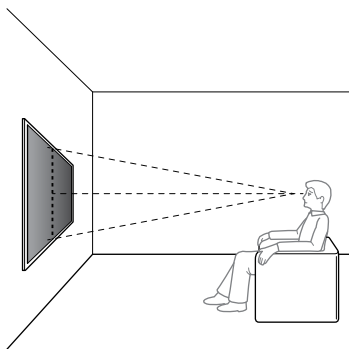
1 Определите местоположение для установки.

Убедитесь, что на стене, на которую будет устанавливаться телевизор или ЖК-Монитор, имеется достаточно пространства и что эта стена способна выдержать вес, по крайней мере, в четыре раза превышающий вес устанавливаемого телевизора или ЖК-Монитора.

См. справочник для телевизора или ЖК-Монитора для просмотра сведений о весе телевизора или ЖК-Монитора.

Примечание

- При установке телевизора или ЖК-Монитора на стену верхняя часть телевизора или ЖК-Монитора слегка наклоняется вперед.
- Рекомендуется проверить расположение телевизора или ЖК-Монитора с места просмотра.



2 Выберите способ настенной установки, как показано ниже.

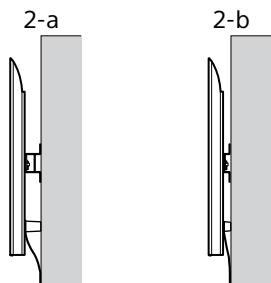
2-a: Стандартное крепление

2-b: Компактная установка

- См. "Размеры для кронштейна для настенной установки на стену" на стр. 19.

ПРЕДУПРЕЖДЕНИЕ

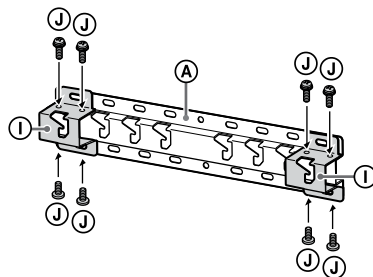
- При выборе пункта 2-b ограничен доступ к задним разъемам.



3 Если выбрано стандартное крепление (2-a):

Прикрепите адаптер основания ① с помощью винта (+PSW 4 × 10) ② к основанию (20) ③.

- См. "Место прикрепления адаптера основания ①" на стр. 20.



Пример, прикрепление адаптера основания ① в месте "а"

Если выбрана компактная установка (2-b):

Пропустите этот шаг.

4 Определите местоположение винтов для установки основания (20) ③.

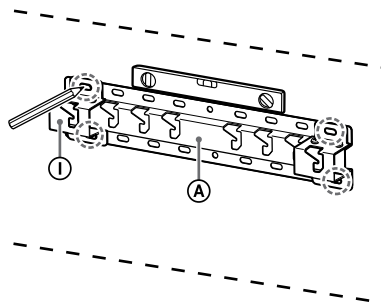
- См. "Технические характеристики" на стр. 18.

ПРЕДУПРЕЖДЕНИЕ

- Определите прочность стены, на которую будет установлен телевизор или ЖК-Монитор. При необходимости укрепите стену.
- Стена, на которой будет установлен телевизор или ЖК-Монитор, должна выдерживать вес, превышающий вес телевизора или ЖК-Монитора, по крайней мере, **в четыре раза**. (Чтобы узнать вес телевизора или ЖК-Монитора, см. справочник.)

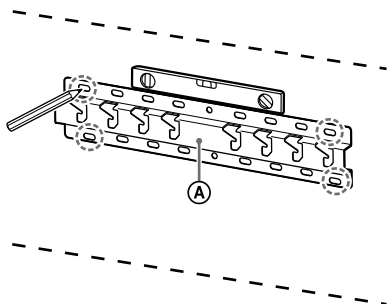
Если выбрано стандартное крепление (2-a):

Используйте положение отверстий в адаптере основания ①.



Пример, разметка в месте "а" для прикрепления основания (20) ③

Если выбрана компактная установка (2-b):

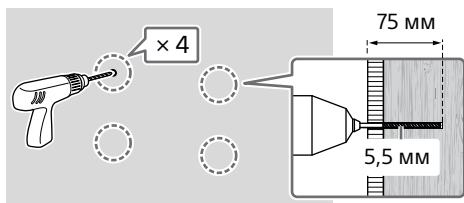


Пример, разметка в месте "а" для прикрепления основания (20) Ⓐ

5 Просверлите опорные отверстия по нанесенным меткам.

Убедитесь, что на место на стене, где будут просверлены отверстия, обладает достаточной прочностью, чтобы выдержать вес, по крайней мере, в четыре раза превышающий вес устанавливаемого телевизора или ЖК-Монитора.

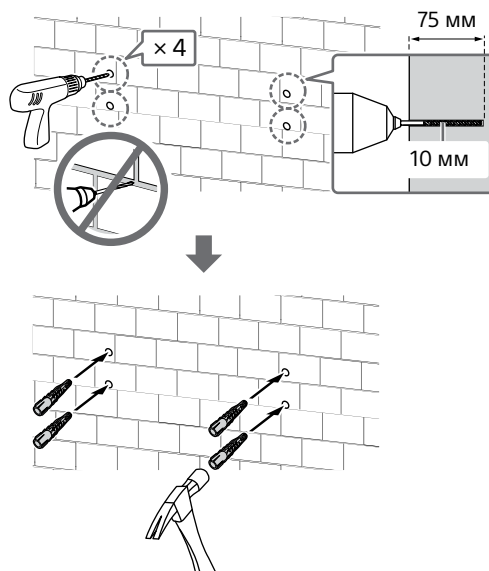
Сверление стены из гипсокартона со стойками:



Примечание

- Установочные отверстия необходимо просверлить на глубину 75 мм, используя головку сверла диаметром 5,5 мм.

Сверление монолитной бетонной конструкции или бетонного блока:



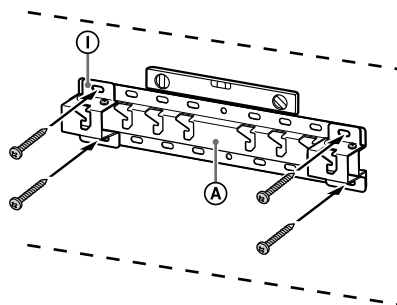
6 Установите основание (20) Ⓐ на стену, используя подходящие винты (не входят в комплект поставки).

Примечание

- Используйте четыре или более винтов диаметром 8 мм или аналогичных им (в комплект поставки не входят).
- Проверьте горизонтальность основания (20) Ⓐ с помощью уровня.

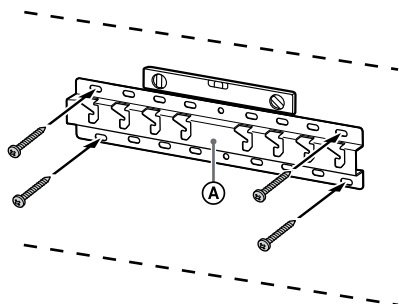
Если выбрано стандартное крепление (2-a):

Вставив четыре винта в отверстия адаптера основания ①, прикрепите его к основанию (20) Ⓐ.



Пример, прикрепление основания (20) Ⓐ в месте "а"

Если выбрана компактная установка (2-b):



Пример, прикрепление основания (20) А в месте "а"

7 Только KD-85X8xL / 85X8xBL / 75X8xL / 75X8xBL, KM-85X8xL / 75X8xL, XR-85X9xL / 75X9xL, XRM-85X9xL / 75X9xL

Отметьте место установки на стене.

Используйте клейкую ленту и т. д. (не входит в комплект), чтобы отметить местоположение телевизора или ЖК-Монитора рядом с основанием (20) А или адаптером основания ①.

- См. "Разметка стены в месте установки телевизора или ЖК-Монитора" на стр. 21.

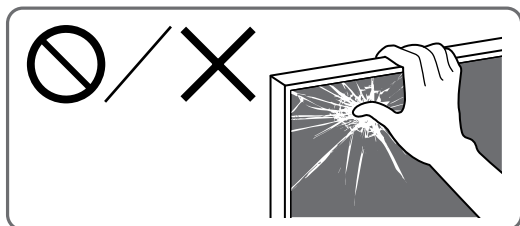
Кроме KD-85X8xL / 85X8xBL / 75X8xL / 75X8xBL, KM-85X8xL / 75X8xL, XR-85X9xL / 75X9xL, XRM-85X9xL / 75X9xL

Пропустите этот шаг.

Подготовка к установке телевизора или ЖК-Монитора

Примечание

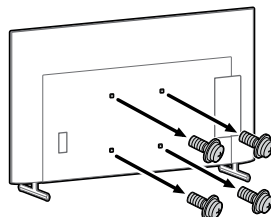
- Храните извлеченные винты и неиспользуемые детали в надежном недоступном для детей месте.



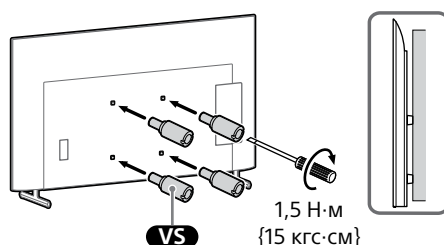
1 Прикрепите настольную подставку в качестве опоры для телевизора или ЖК-Монитора.

- См. руководство по установке телевизора или ЖК-Монитора.

2 Извлеките винты из задней панели телевизора или ЖК-Монитора.



3 Прикрепите детали кронштейна для настенной установки VS (поставляемые вместе с телевизором или ЖК-Монитором) к задней панели телевизора или ЖК-Монитора (параллельно стене).



Примечание

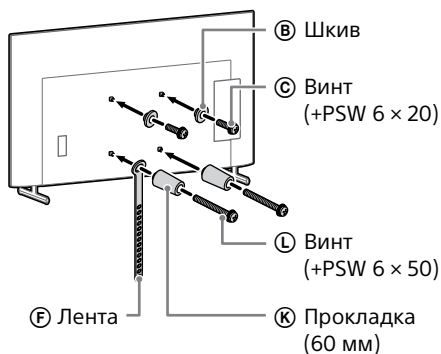
- Обязательно зафиксируйте детали крепления для настенной установки VS при установке на телевизор или ЖК-Монитор. Монтаж деталей кронштейна для настенной установки VS необходимо выполнять только с помощью плоской отвертки. При использовании другого инструмента можно слишком сильно затянуть детали крепления для настенной установки VS, что приведет к повреждению телевизора или ЖК-Монитора.

4 Прикрепите детали крепления кронштейна для настенной установки. Проверьте наличие комплектующих в соответствии с “Прилагается к SU-WL450” в “Проверка комплектации” на стр. 7.

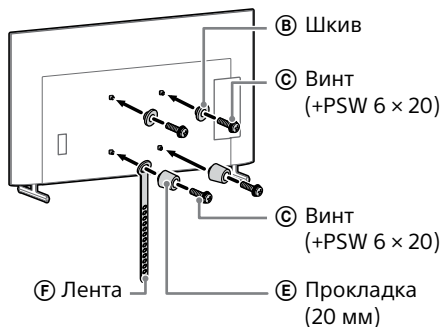
Примечание

- Плотно закрепите крепежные детали с помощью винтов.
- При использовании электрической отвертки установите крутящий момент примерно 1,5 Н·м {15 кгс·см}.

Если выбрано стандартное крепление (2-a):



Если выбрана компактная установка (2-b):



5 Подключите необходимые кабели к телевизору или ЖК-Монитору.

Перед установкой телевизора или ЖК-Монитора на стену обязательно подключите кабели. После установки телевизора или ЖК-Монитора подключение кабелей станет невозможным.

Примечание

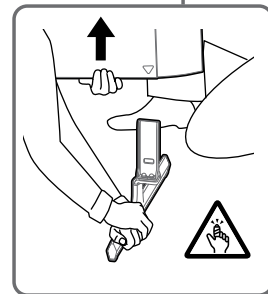
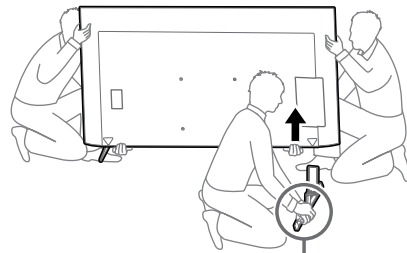
- Для прокладки кабеля в стене наймите лицензированного подрядчика.
- Перед креплением устройства на стену свяжите соединительные кабели, чтобы случайно не наступить на них.

6 Отсоедините настольную подставку от телевизора или ЖК-Монитора.

На следующем рисунке показан пример операции.

Кроме KD-75X85L / 65X85L / 65X85BL / 55X85L, KM-75X85L / 65X85L / 55X85L, XR-85X90L / 75X90L / 65X90L / 55X90L, XRM-85X90L / 75X90L / 65X90L / 55X90L

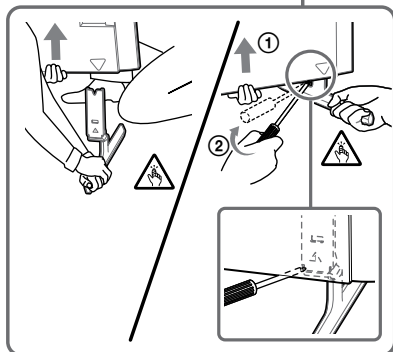
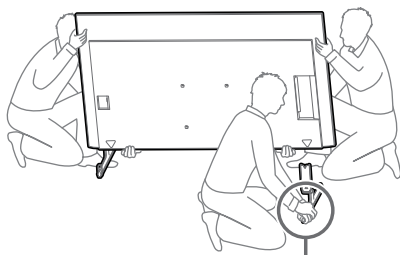
- Извлекайте стороны настольной подставки поочередно. Крепко удерживайте настольную подставку двумя руками, пока другие приподнимают телевизор или ЖК-Монитор.



- Повторите указанное действие и извлеките другую сторону настольной подставки.

Только KD-75X85L / 65X85L / 65X85BL / 55X85L, KM-75X85L / 65X85L / 55X85L

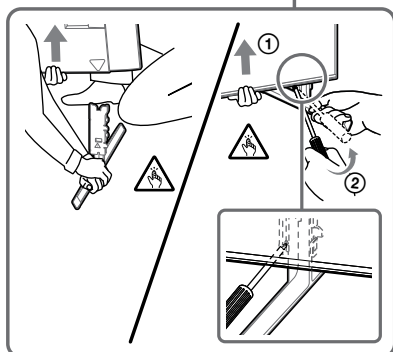
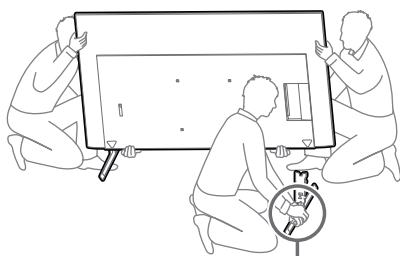
- Извлекайте стороны настольной подставки поочередно. Крепко удерживайте настольную подставку двумя руками, пока другие приподнимают телевизор или ЖК-Монитор.



- Повторите указанное действие и извлеките другую сторону настольной подставки.

Только XR-85X90L / 75X90L / 65X90L / 55X90L, XRM-85X90L / 75X90L / 65X90L / 55X90L

- Извлекайте стороны настольной подставки поочередно. Крепко удерживайте настольную подставку двумя руками, пока другие приподнимают телевизор или ЖК-Монитор.



- Повторите указанное действие и извлеките другую сторону настольной подставки.

Примечание

- Для отсоединения настольной подставки необходимо три или более человека.
- Будьте осторожны и не используйте чрезмерную силу при отсоединении настольной подставки от телевизора или ЖК-Монитора, так как это может привести к падению телевизора или ЖК-Монитора и травмированию кого-либо или повреждению телевизора или ЖК-Монитора.
- Будьте осторожны при обращении с настольной подставкой, чтобы предотвратить повреждение телевизора или ЖК-Монитора.
- Будьте осторожны при поднятии телевизора или ЖК-Монитора, так как настольная подставка может отсоединиться и упасть, что может привести к травме.
- Будьте осторожны при отсоединении настольной подставки от телевизора или ЖК-Монитора во избежание опрокидывания устройства и повреждения поверхности, на которой расположен телевизор или ЖК-Монитор.

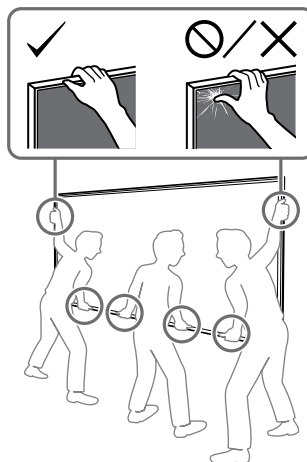
RU

Установка телевизора или ЖК-Монитора на стену

Только KD-85X8xL / 85X8xBL / 75X8xL / 75X8xBL, KM-85X8xL / 75X8xL, XR-85X9xL / 75X9xL, XRM-85X9xL / 75X9xL

ПРЕДУПРЕЖДЕНИЕ

- Для переноски телевизора или ЖК-Монитора больших размеров требуются два или более человек (три или более человек для переноски телевизора или ЖК-Монитора с диагональю 189,3 см (75 дюймов) и более) (кроме Египта). Для переноски телевизора или ЖК-Монитора больших размеров требуются два или более человек (три или более человек для переноски телевизора или ЖК-Монитора с диагональю 75 дюймов (189,3 см) и более) (только Египет).

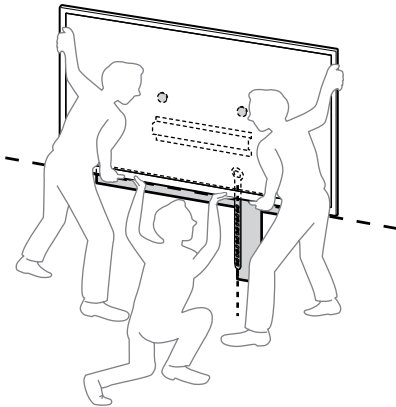


1 Поднимите телевизор или ЖК-Монитор.

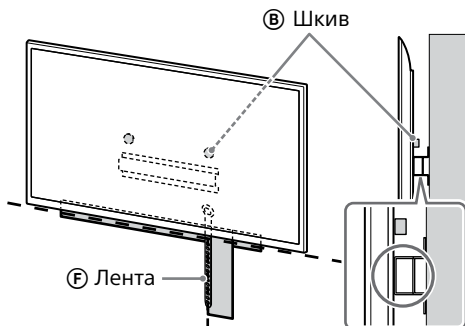
- Местоположение шкивов (B) для подвешивания на основании (20) (A) или адаптере основания (1) см. в "Место прикрепления адаптера основания (1)" на стр. 20.
- Убедитесь, что задняя панель телевизора или ЖК-Монитора соприкасается с основанием (20) (A) или адаптером основания (1) при удержании телевизора или ЖК-Монитора.

Примечание

- Удерживайте телевизор или ЖК-Монитор обеими руками и убедитесь, что лента (F) и нижняя часть телевизора или ЖК-Монитора выровнены по клейкой ленте.
- Перенос телевизора или ЖК-Монитора должен осуществляться тремя людьми: человек, который находится спереди телевизора или ЖК-Монитора, должен направлять остальных людей для установки в надлежащее положение.

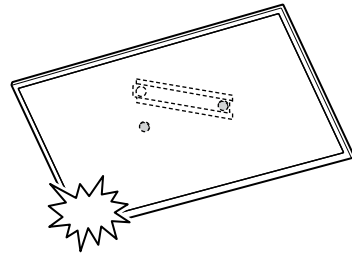


- При установке телевизора или ЖК-Монитора на стену необходимо соблюдать осторожность, особенно человеку, который поддерживает телевизор или ЖК-Монитор снизу, так как телевизор или ЖК-Монитор может упасть и стать причиной серьезных травм или даже смерти.



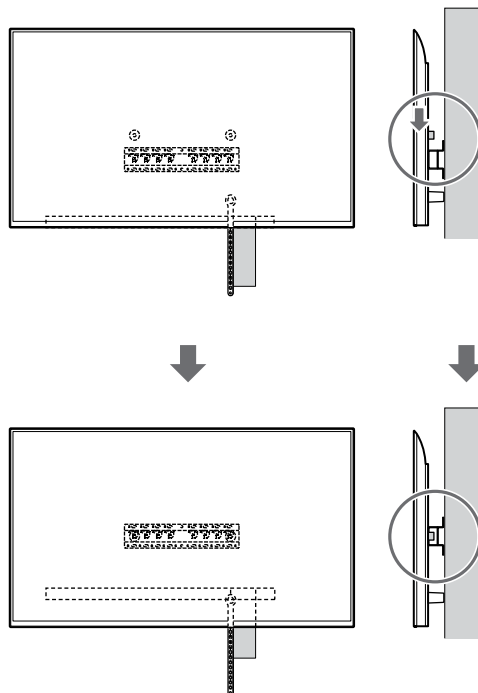
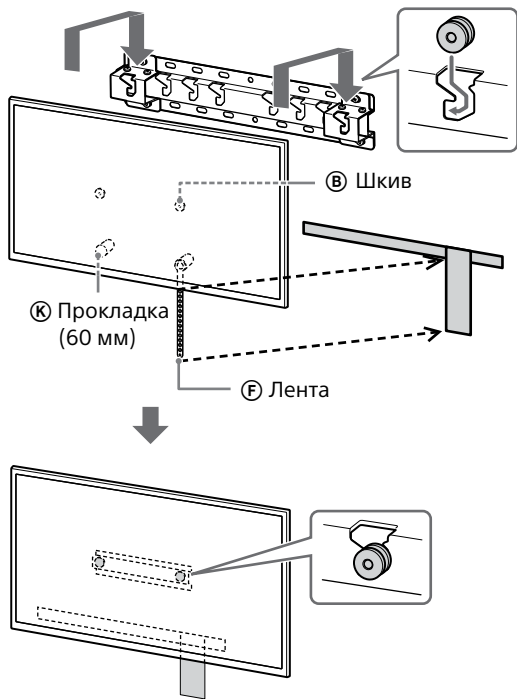
2 Установите телевизор или ЖК-Монитор на основание (20) (A) или адаптер основания (1).

- Осторожно опустите телевизор или ЖК-Монитор и установите шкивы (B), прикрепленные к задней части телевизора или ЖК-Монитора, на основание (20) (A) или адаптер основания (1). Следите за соответствием формы отверстий.
- После установки телевизора или ЖК-Монитора на стену убедитесь в том, что шкивы (B) надежно зафиксированы в основании (20) (A) или в адаптере основания (1).
- Медленно уберите обе руки и убедитесь, что телевизор или ЖК-Монитор надежно установлен.

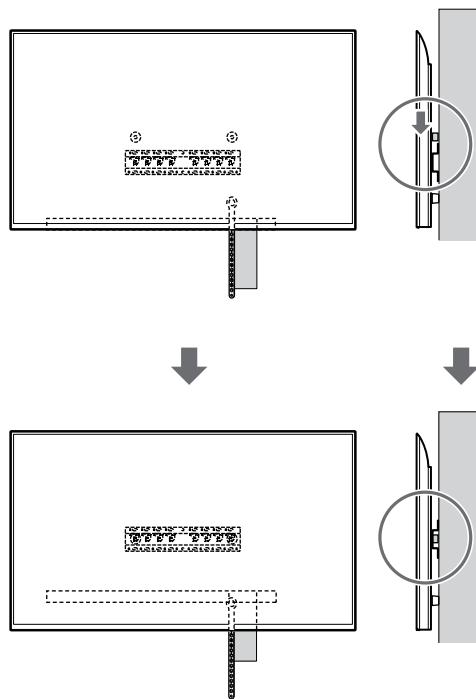
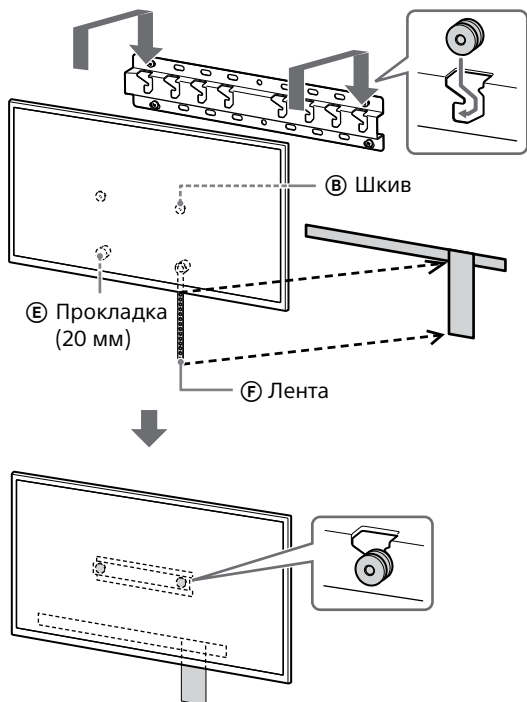


- После установки телевизора или ЖК-Монитора на стену удалите клейкую ленту и т. д. со стены.

Если выбрано стандартное крепление (2-а):



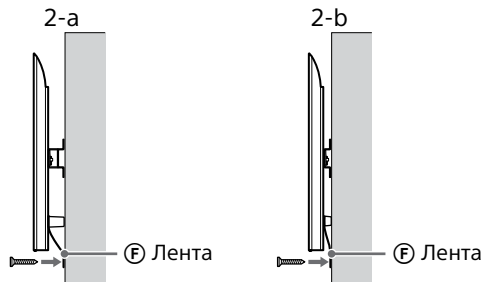
Если выбрана компактная установка (2-б):



RU

3 Предотвращение смещения нижней части телевизора или ЖК-Монитора.

- Устраните зазор Ленты (F) и надежно прикрепите её к стене.



- Используйте винт диаметром 5 мм или его эквивалент (не прилагается).

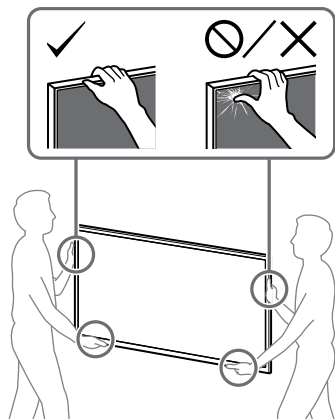
Примечание

- Слегка потяните нижнюю часть телевизора или ЖК-Монитора на себя, чтобы убедиться, что он не движется вперед. Если есть небольшой люфт, значит, крепление не выполнено надлежащим образом, а ленту (F) следует закрепить надежнее.

Кроме KD-85X8xL / 85X8xBL / 75X8xL / 75X8xBL, KM-85X8xL / 75X8xL, XR-85X9xL / 75X9xL, XRM-85X9xL / 75X9xL

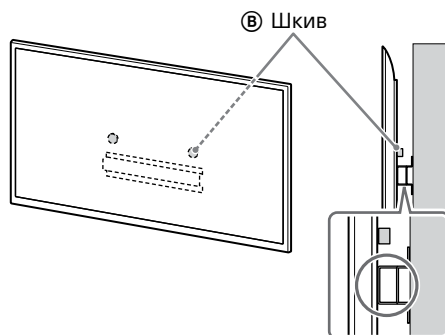
ПРЕДУПРЕЖДЕНИЕ

- Для переноски телевизора или ЖК-Монитора больших размеров требуются два или более человек (три или более человек для переноски телевизора или ЖК-Монитора с диагональю 189,3 см (75 дюймов) и более) (кроме Египта). Для переноски телевизора или ЖК-Монитора больших размеров требуются два или более человек (три или более человек для переноски телевизора или ЖК-Монитора с диагональю 75 дюймов (189,3 см) и более) (только Египет).



1 Поднимите телевизор или ЖК-Монитор.

- Местоположение шкивов (B) для подвешивания на основании (20) (A) или адаптере основания (1) см. в "Место прикрепления адаптера основания (1)" на стр. 20.
- Убедитесь, что задняя панель телевизора или ЖК-Монитора соприкасается с основанием (20) (A) или адаптером основания (1) при удержании телевизора или ЖК-Монитора.

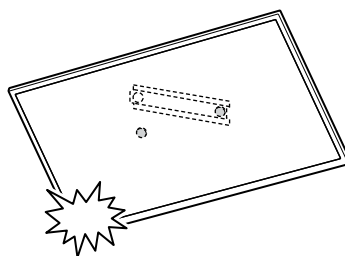


Примечание

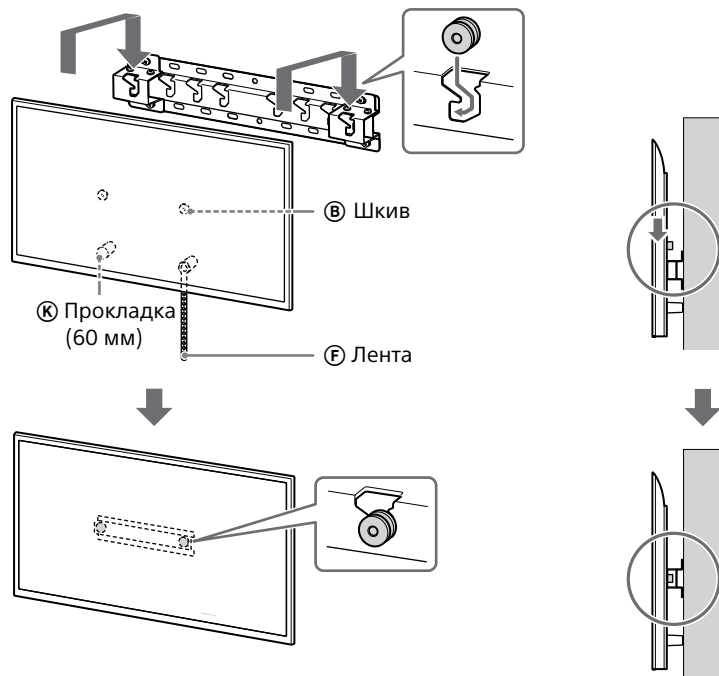
- Удерживайте телевизор или ЖК-Монитор обеими руками.

2 Установите телевизор или ЖК-Монитор на основание (20) (A) или адаптер основания (1).

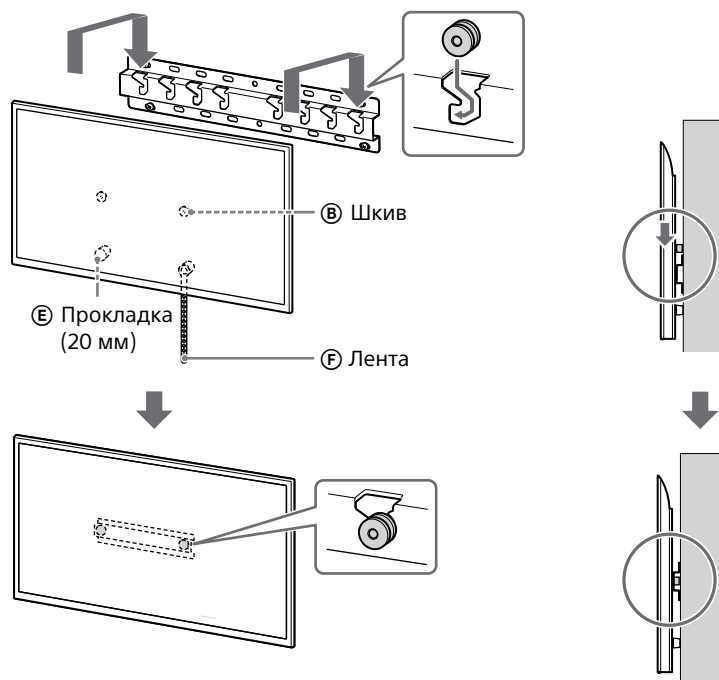
- Осторожно опустите телевизор или ЖК-Монитор и установите шкивы (B), прикрепленные к задней части телевизора или ЖК-Монитора, на основание (20) (A) или адаптер основания (1). Следите за соответствием формы отверстий.
- После установки телевизора или ЖК-Монитора на стену убедитесь в том, что шкивы (B) надежно зафиксированы в основании (20) (A) или в адаптере основания (1).
- Медленно уберите обе руки и убедитесь, что телевизор или ЖК-Монитор надежно установлен.



Если выбрано стандартное крепление (2-а):

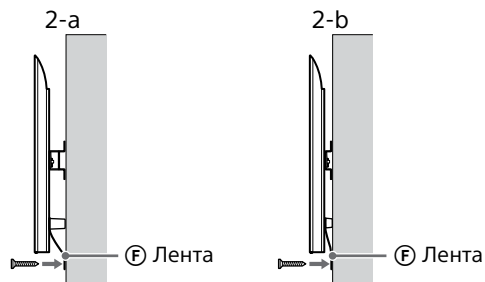


Если выбрана компактная установка (2-в):



3 Предотвращение смещения нижней части телевизора или ЖК-Монитора.

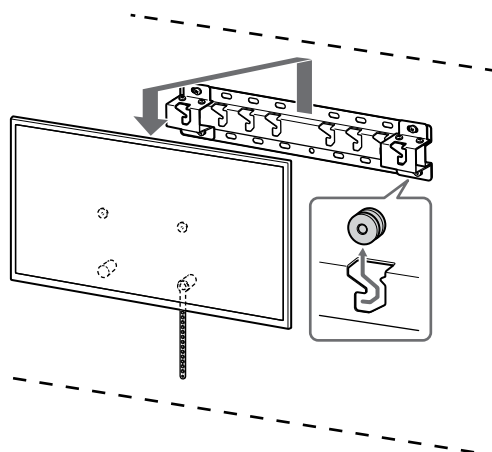
- Устраните зазор Ленты (F) и надежно прикрепите её к стене.



- Используйте винт диаметром 5 мм или его эквивалент (не прилагается).

Примечание

- Слегка потяните нижнюю часть телевизора или ЖК-Монитора на себя, чтобы убедиться, что он не движется вперед. Если есть небольшой люфт, значит, крепление не выполнено надлежащим образом, а ленту (F) следует закрепить надежнее.



ПРЕДУПРЕЖДЕНИЕ

- Для переноски телевизора или ЖК-Монитора больших размеров требуются два или более человек (три или более человек для переноски телевизора или ЖК-Монитора с диагональю 189,3 см (75 дюймов) и более) (кроме Египта). Для переноски телевизора или ЖК-Монитора больших размеров требуются два или более человек (три или более человек для переноски телевизора или ЖК-Монитора с диагональю 75 дюймов (189,3 см) и более) (только Египет).

Проверка выполнения установки

Проверьте следующие пункты.

- Шкивы (B) надежно навешены на основании (20) (A) или адаптер основания (1).
- Шнур и кабель не перекручены и не заземлены.
- Лента (F) надежно прикреплена без зазора.

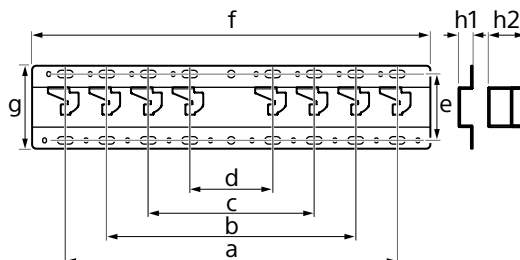
ПРЕДУПРЕЖДЕНИЕ

- Неправильное расположение кабеля питания и т. д. может привести к возгоранию или поражению электрическим током в результате короткого замыкания. Для обеспечения безопасности убедитесь в том, что все пункты установки выполнены.

Прочая информация

При снятии телевизора или ЖК-Монитора выполните описанную выше процедуру в обратной последовательности.

Технические характеристики



Размеры: (прибл.) [мм]

- a : 400
- b : 300
- c : 200
- d : 100
- e : 80
- f : 480
- g : 100

- h1 : 20 (для компактной установки, 2-b)
- h2 : 60 (для стандартного крепления, 2-a)

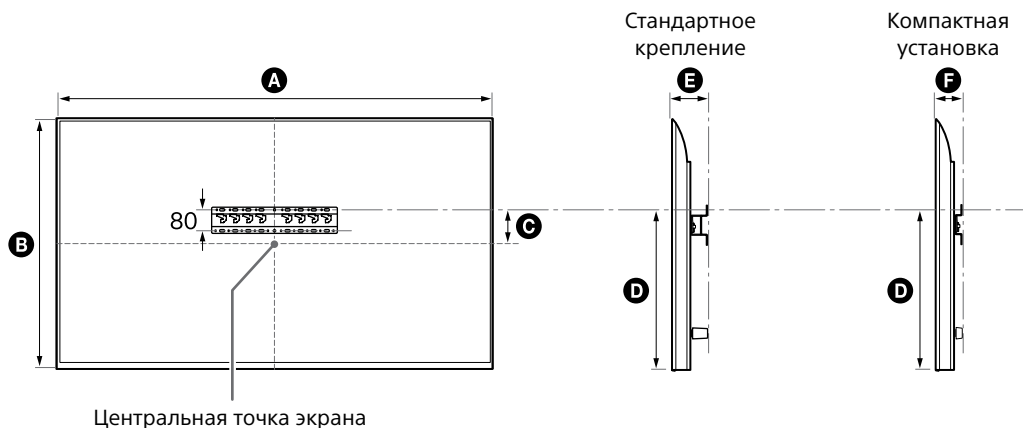
Вес (только основание): (прибл.) [кг]
0,8

Конструкция и характеристики могут быть изменены без предварительного уведомления.

Ссылки

Размеры для кронштейна для настенной установки на стену

Рисунки в таблице могут немного отличаться в зависимости от установки.

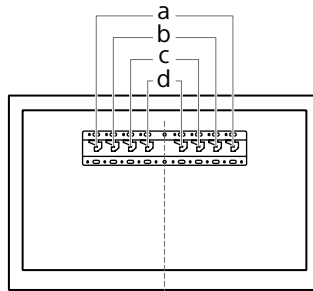


(мм)

Название модели	A	B	C	D	E	F
KD-85X81BL / 85X80L KM-85X80L	1901	1090	43	592	138	96
XR-85X90L XRM-85X90L	1891	1085	58	607	125	83
KD-75X85L KM-75X85L	1671	960	21	508	123	81
KD-75X81BL / 75X80L KM-75X80L	1675	962	12	493	137	95
XR-75X90L XRM-75X90L	1668	959	21	508	123	81
KD-65X85L / 65X85BL KM-65X85L	1447	832	85	505	123	81
KD-65X81BL / 65X80L KM-65X80L	1452	836	76	494	135	93
XR-65X90L XRM-65X90L	1445	831	85	505	123	81
KD-55X85L KM-55X85L	1228	709	146	505	122	81
KD-55X81BL / 55X80L KM-55X80L	1233	713	133	494	135	93
XR-55X90L XRM-55X90L	1225	707	146	505	122	81
KD-50X80L KM-50X80L	1119	649	63	392	133	91
KD-43X80L KM-43X80L	964	563	111	392	133	91

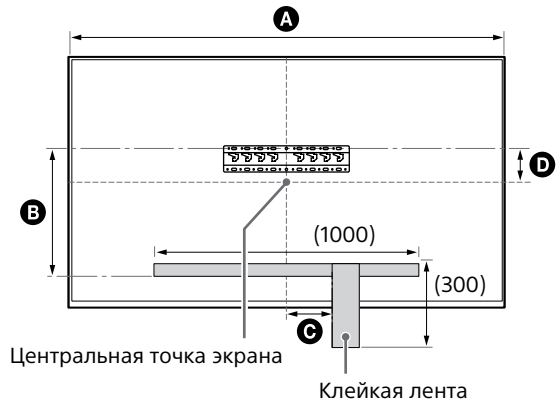
RU

Место прикрепления адаптера основания ⓘ



Название модели	Положение скоб	Название модели	Положение скоб
KD-85X81BL / 85X80L KM-85X80L XR-85X90L XRM-85X90L	a	KD-55X85L / 55X81BL / 55X80L KM-55X85L / 55X80L XR-55X90L XRM-55X90L	b
KD-75X85L / 75X81BL / 75X80L KM-75X85L / 75X80L XR-75X90L XRM-75X90L	b	KD-50X80L KM-50X80L	c
KD-65X85L / 65X85BL / 65X81BL / 65X80L KM-65X85L / 65X80L XR-65X90L XRM-65X90L	b	KD-43X80L KM-43X80L	c

Разметка стены в месте установки телевизора или ЖК-Монитора



(мм)

Название модели	A	B	C	D
KD-85X81BL / 85X80L KM-85X80L	1901	472	200	43
XR-85X90L XRM-85X90L	1891	486	200	58
KD-75X85L KM-75X85L	1671	388	150	21
KD-75X81BL / 75X80L KM-75X80L	1675	373	150	12
XR-75X90L XRM-75X90L	1668	388	150	21

RU

Інформація зі встановлення з використанням кронштейна для настінного кріплення Sony (SU-WL450)

Моделі, що підтримуються*:

* Позначка «х»/«хх» відповідає індивідуальними цифрам та/або символам, які присутні в номерах окремих моделей.

KD-85X8xL / 85X8xBL / 75X8xL / 75X8xBL / 65X8xL / 65X8xBL / 55X8xL / 55X8xBL / 50X8xL / 43X8xL

KM-85X8xL / 75X8xL / 65X8xL / 55X8xL / 50X8xL / 43X8xL

XR-85X9xL / 75X9xL / 65X9xL / 55X9xL

XRM-85X9xL / 75X9xL / 65X9xL / 55X9xL

До уваги споживачів

Для захисту виробу та з міркувань безпеки компанія Sony настійно рекомендує, щоб встановлення телевізора або РК монітора здійснювалося дилерами або ліцензованими підрядниками Sony. Не намагайтеся встановити його самостійно.

Інформація для дилерів і підрядників Sony

Приділяйте максимальну увагу безпеці під час встановлення, періодичного обслуговування та перевірки виробу.

Для встановлення цього виробу, особливо для визначення міцності стіни, яка повинна витримувати вагу телевізора або РК монітора, необхідно мати достатній досвід. Довіряйте виконання монтажу тільки дилерам чи ліцензованим підрядникам Sony та приділяйте належну увагу безпеці під час встановлення. Компанія Sony не несе жодної відповідальності за збитки й травми, викликані неправильною експлуатацією чи встановленням.

Для безпечного та правильного встановлення слід дотримуватись інструкції з експлуатації кронштейну для настінного кріплення, посібника із налаштування телевізора або РК монітора та вказівок цього керівництва.

Кронштейн для настінного кріплення

Відомості з безпеки

Дякуємо за придбання цього виробу.

До уваги споживачів

Встановлення телевізора або РК монітора на стіні



ДОРУЧАЙТЕ ВСТАНОВЛЕННЯ ПРОФЕСІОНАЛАМ

Цей виріб має бути встановлений фахівцем, який уміє визначати міцність стіни, що повинна витримувати вагу телевізора або РК монітора. Неправильно закріплений телевізор або РК монітор може впасти і завдати важкої травми. Компанія Sony не несе жодної відповідальності за збитки і травми, спричинені неправильним використанням чи встановленням цього виробу, а також застосуванням виробів, відмінних від вказаного. Це не стосується ваших прав передбачених законом (якщо такі є).

До уваги дилерів компанії Sony

Для встановлення цього виробу необхідно мати достатні знання та навички. Обов'язково уважно прочитайте цей посібник з експлуатації, щоб безпечно виконати роботи з монтажу. Компанія Sony не несе відповідальності за шкоду та травми, що виникли через неправильне поводження або неналежно виконаний монтаж. Після встановлення передайте цей посібник споживачу.

У цьому посібнику з експлуатації описано правильне поводження з виробом, а також наведено важливі застережні заходи, необхідні для уникнення нещасних випадків. Уважно прочитайте всі інструкції в цьому посібнику з експлуатації й ретельно виконуйте їх. Недотримання цієї вимоги може спричинити тяжку травму, серйозне пошкодження майна й ануляцію гарантії. Зберігайте цей посібник для перегляду в майбутньому.

Під час розробки продуктів Sony безпека стоїть на першому місці. Однак, неправильне поводження з виробами може призвести до серйозних травм унаслідок пожежі, ураження електричним струмом, перекидання виробу чи його падіння. Щоб запобігти таким випадкам, обов'язково дотримуйтеся правил техніки безпеки.

Дата виготовлення зазначена на виробі та упаковці на етикетці зі штрих-кодом у наступному форматі:
YYYY/MM, де YYY - рік, MM - місяць виготовлення.

Виробник: Соні Корпорейшн,
1-7-1 Конан Мінато-ку Токіо,
108-0075 Японія
Зроблено в Китаї

ПОПЕРЕДЖЕННЯ

Зазначені вироби

Цей кронштейн для настінного кріплення призначено для використання лише з телевізорами або РК моніторами, зазначеними для даного виробу. Інформацію щодо можливості використання кронштейна для настінного кріплення дивіться в Довідковому посібнику до відповідних моделей телевізора або РК монітора.

До уваги споживачів

ЗАСТЕРЕЖЕННЯ

Якщо не дотримуватися наведених нижче застережних заходів, можливі серйозні травми чи смерть унаслідок пожежі, ураження електричним струмом чи падіння виробу.

Обов'язково доручіть установлення підрядникам, які мають ліцензію, та слідкуйте за тим, щоб під час монтажу поряд не було дітей.

Якщо кронштейн для настінного кріплення або телевізор або РК монітор встановлено неправильно, можуть статися наведені нижче нещасні випадки. Монтаж мають виконувати підрядники, які мають ліцензію.

- Телевізор або РК монітор може впасти та призвести до таких серйозних травм, як синець або перелом.
- Якщо стіна, на яку встановлюється кронштейн для настінного кріплення, нестабільна, нерівна або неперпендикулярна підлозі, кронштейн може впасти та стати причиною травмування або пошкодження майна. Стіна має бути зчотиріго витримати вагу, що принаймні у чотири рази перевищує вагу телевізора або РК монітора. (Вагу телевізора або РК монітора можна дізнатися в Довідковому посібнику.)
- Якщо кронштейн для настінного кріплення встановлюється на стіні недостатньо надійно, кронштейн може впасти та стати причиною травмування або пошкодження майна.

Щодо дітей

- Не дозволяйте дітям залазити на телевізор або РК монітор.
- Тримайте малі деталі поза доступом дітей, щоб діти їх випадково не проковтнули.

Обов'язково доручіть переміщення або демонування телевізора або РК монітора підрядниками, які мають ліцензію.

Якщо інші особи, окрім підрядників, які мають ліцензію, переміщуватимуть чи демонтуватимуть телевізор або РК монітор, то він може впасти та стати причиною травмування або пошкодження майна. Для транспортування великого телевізора або РК монітора потрібно дві або більше осіб (три або більше осіб для телевізора або РК монітора з діагоналлю 189,3 см (75 дюйма) або більшою) (крім Єгипту).

Для транспортування великого телевізора або РК монітора потрібно дві або більше осіб (три або більше осіб для телевізора або РК монітора з діагоналлю 75 дюйма (189,3 см) або більшою) (тільки для Єгипту).

Не викручуйте гвинти, тощо, після монтування телевізора або РК монітора.

Якщо зробити це, телевізор або РК монітор може впасти та завдати серйозних травм чи призвести до пошкодження майна.

Не змінюйте деталі кронштейна для настінного кріплення.

Якщо зробити це, кронштейн для настінного кріплення може впасти та завдати серйозних травм чи призвести до пошкодження майна.

Не встановлюйте ніяких інших пристроїв, крім зазначеного виробу.

Цей кронштейн для настінного кріплення призначено для використання лише із зазначеним виробом. У випадку встановлення інших пристроїв, крім зазначених, вони можуть впасти чи зламатися та завдати серйозних травм чи призвести до пошкодження майна.

Не застосовуйте до кронштейна для настінного кріплення інші навантаження, окрім телевізора або РК монітора.

Не розкитуйте телевізор або РК монітор увліво/вправо чи вгору/вниз.

Якщо зробити це, телевізор або РК монітор може впасти та завдати серйозних травм чи призвести до пошкодження майна.

UA

Не спирайтеся на телевізор або РК монітор і не чіпляйтеся за нього.

Не спирайтеся на телевізор або РК монітор і не чіпляйтеся за нього, оскільки він може впасти на вас та завдати серйозних травм.

ПОПЕРЕДЖЕННЯ

Якщо не дотримуватися наведених нижче застережних заходів, це може призвести до серйозних травм чи пошкодження майна.

- Зберігайте деталі, що не використовуються, у безпечному місці. Тримайте їх у недоступному для дітей місці.

Під час очищення або обслуговування виробу не прикладайте до нього надмірної сили.

Не прикладайте надмірної сили до верхньої частини телевізора або РК монітора. Якщо зробити це, телевізор або РК монітор може впасти та завдати серйозних травм чи призвести до пошкодження майна.

Застережні заходи

- Якщо телевізор або РК монітор, установлений на кронштейн для настінного кріплення, буде використовуватися протягом тривалого часу, залежно від матеріалу, яким вкрита стіна, поверхня стіни за телевізором або РК монітором чи над ним може знебарвитися або від стіни можуть відклеїтися шпалери.
- Якщо кронштейн для настінного кріплення зняти після того, як його було встановлено на стіні, в стіні залишаться отвори від шурупів.
- Не використовуйте кронштейн для настінного кріплення в місцях, де відбувається механічна вібрація.

Встановлення кронштейна для настінного кріплення

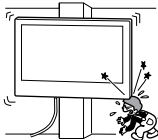
До уваги дилерів компанії Sony

ЗАСТЕРЕЖЕННЯ

Наведені нижче інструкції призначено лише для дилерів компанії Sony. Обов'язково прочитайте застережні заходи, викладені вище, і зверніть особливу увагу на безпеку під час монтажу, обслуговування та перевірки цього виробу.

Не встановлюйте кронштейн для настінного кріплення в місцях на стіні, де краї чи боки телевізора або РК монітора виступають за межі поверхні стіни.

Не встановлюйте кронштейн для настінного кріплення на таких поверхнях, як колони, оскільки в цих місцях краї чи боки телевізора або РК монітора виступають за межі поверхні стіни. Якщо людина чи предмет випадково вдарить по куту чи боковій стороні телевізора або РК монітора, які виступають за край стіни, це може спричинити травму або призвести до пошкодження майна.

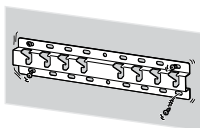


Не встановлюйте телевізор або РК монітор над чи під кондиціонером.

Якщо телевізор або РК монітор протягом тривалого часу зазнає впливу води, що витікає, або потоку повітря з кондиціонера, це може спричинити пожежу, ураження електричним струмом або несправності в роботі телевізора або РК монітора.

Надійно встановлюйте кронштейн для настінного кріплення на стіні відповідно до інструкцій у цьому посібнику з експлуатації.

Якщо гвинти слабо закріплені або випадають, кронштейн для настінного кріплення може впасти і стати причиною травмування або пошкодження майна. Гвинти мають відповідати матеріалу, яким вкрита стіна. Щоб забезпечити надійне встановлення, використовуйте принаймні чотири гвинти діаметром 8 мм (або еквівалент).



Використовуйте гвинти та допоміжні частини з комплекту постачання належним чином відповідно до інструкцій у цьому посібнику з експлуатації. Використання деталей-замінників може призвести до падіння телевізора або РК монітора та травмування людей чи до пошкодження телевізора або РК монітора.

Збирайте кронштейн належним чином, дотримуючись процедури, описаної в цьому посібнику з експлуатації.

Якщо гвинти слабо закріплені або випадають, телевізор або РК монітор може впасти та травмувати людей або ж телевізор чи РК монітор може пошкодитись.

Надійно затягніть гвинти у зазначеному положенні.

Якщо це не зробити, телевізор або РК монітор може впасти та травмувати людей або ж телевізор чи РК монітор може пошкодитись.

Під час монтажу слід уникати поштовхів у напрямку телевізора або РК монітора.

У разі поштовху телевізор або РК монітор може впасти або розбитися. Це може стати причиною травмування.

Встановлюйте телевізор або РК монітор на перпендикулярній стіні з рівною поверхнею.

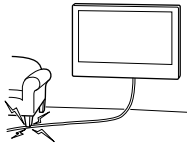
Якщо ця умова не виконується, телевізор або РК монітор може впасти та завдати серйозних травм.

**Після монтажу
телевізора або ПК
монітора зафіксуйте
кабелі належним
чином.**

Якщо люди або об'єкти заплутаються в кабелях, це може привести до пошкодження телевізора або ПК монітора або травмування.

**Слідкуйте за тим, щоб
шнур живлення
змінного струму або
з'єднувальний кабель
не був затиснутий.**

Якщо шнур живлення змінного струму або з'єднувальний кабель затиснений між виробом та стіною або зігнутий чи скручений із прикладанням сили, його внутрішні провідники можуть оголитися й спричинити коротке замикання або пробивання електричного струму. Це може призвести до пожежі або ураження електричним струмом.



**Гвинти, за допомогою
яких кронштейн для
настінного кріплення
кріпиться на стіні, не
входять до комплекту
постачання.**

Під час монтування кронштейна для настінного кріплення використовуйте гвинти відповідно до структури стіни та матеріалу, яким вона вкрита.

Зберігайте вироби в картонній коробці, у темному, сухому, чистому приміщенні з доброю вентиляцією, окремо від місць зберігання кислот і лугів. Температура зберігання: від -20 °C до +60 °C. Вологість зберігання: < 80 %.

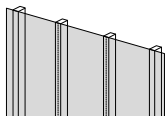
Перед початком роботи

- Зображення телевізорів або ПК моніторів на ілюстраціях у цьому посібнику наведено як приклади для наочності опису операцій. Тому фактичний вигляд телевізора або ПК монітора може відрізнятись від зображеного на цих ілюстраціях.

З якого матеріалу виготовлено стіну?

Спочатку визначте тип стіни, на якій буде встановлено телевізор або ПК монітор.

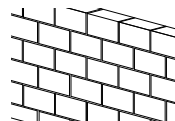
Гіпсокартон із брусами



Застережні заходи

- Максимальна товщина стіни з гіпсокартону: 16 мм.
- Мінімальні розміри внутрішнього дерев'яного бруса: 51 мм × 102 мм (звичайні розміри) або 38 мм × 89 мм (номінальні розміри).

Монолітний бетон або бетонні блоки



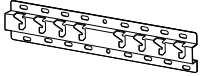





Застережні заходи

- Встановлюйте кронштейн для настінного кріплення безпосередньо на монолітній бетонній стіні.
- Мінімальна товщина монолітної бетонної стіни: 203 мм.
- Мінімальні розміри окремого бетонного блока: 203 мм × 203 мм × 406 мм.




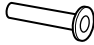

Перевірка деталей

Постачається з SU-WL450


- Перевірте, чи всі деталі включено до комплекту постачання.

<p>Ⓐ База (20) (x1)</p> 	<p>Ⓑ Шків (x2)</p> 	<p>Ⓒ Гвинт (+PSW 6 x 20) (x4)</p> 	<p>Ⓔ Прокладка (20 мм) (x2)</p> 
<p>Ⓕ Ремінь (x1)</p> 	<p>Ⓘ Перехідник для бази (x2)</p> 	<p>Ⓙ Гвинт (+PSW 4 x 10) (x8)</p> 	<p>Ⓚ Прокладка (60 мм) (x2)</p> 
<p>Ⓛ Гвинт (+PSW 6 x 50) (x2)</p> 			

- Ці деталі можуть не використовуватися для вашої моделі.

<p>ⓓ Гвинт (+PSW 4 x 20) із втулкою (x2)</p> 	<p>ⓐ Втулка (20) (M4) (x2)</p> 	<p>ⓗ Гвинт (+PSW 4 x 20) (x2)</p> 	<p>Ⓜ Втулка (M4) (x2)</p> 
<p>Ⓝ Гвинт (+PSW 4 x 50) (x2)</p> 			

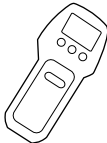

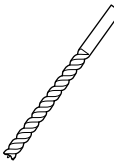
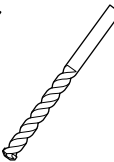
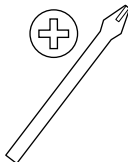
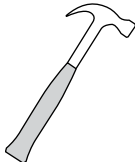
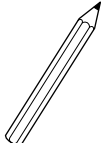
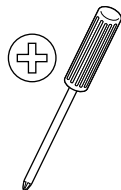
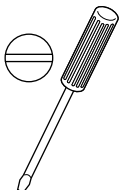





Постачається з телевізором або ПК монітором

<p>Настінне кріплення VS (x4)*</p> 
--

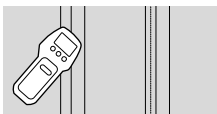
- * Лише для обмеженого регіону/країни/моделі.

Підготовка до встановлення

- Перед встановленням уважно ознайомтесь із Довідковим посібником та Посібником із налаштування телевізора або ПК монітора.
- Перевірте положення встановлення телевізора або ПК монітора.
- Підготуйте принаймні чотири гвинти діаметром 8 мм і один гвинт діаметром 5 мм або еквівалентні (не входять до комплекту постачання). Підберіть гвинти відповідно до матеріалу, яким вкрита стіна.
- Підготуйте показані нижче інструменти.

*1 		 5,5 мм	 10 мм	
*2 		 1,5 Н·м {15 кгс·см}	*3  1,5 Н·м {15 кгс·см}	
	*2  (x4)	 (x4) 8 мм × 60 мм	 5 мм	
*4 				

*1 Тільки для стіни з гіпсокартону з брусами



*2 Тільки для стіни з монолітного бетону чи бетонних блоків

*3 Залежно від моделей

*4 Тільки для телевізора або ПК монітора розміром 189,3 см (75 дюймів) і вище (крім Єгипту)
Тільки для телевізора або ПК монітора розміром 75 дюймів (189,3 см) і вище (тільки для Єгипту)

Встановлення кронштейна для настінного кріплення на стіні

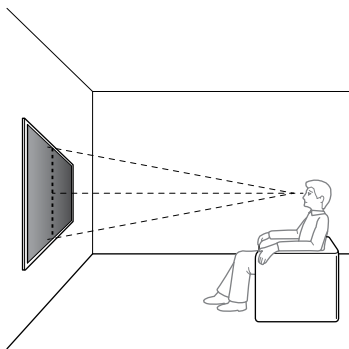
1 Визначте місце встановлення.

Переконайтеся, що стіна має достатні розміри для телевізора або ПК монітора та в змозі витримати вагу, щонайменше в чотири рази більшу за вагу телевізора або ПК монітора.

Вагу телевізора або ПК монітора можна знайти в Довідковому посібнику до телевізора або ПК монітора.

Примітка

- Якщо телевізор або ПК монітор встановлено на стіні, верхня частина телевізора або ПК монітора буде трохи нахилена вперед.
- Обов'язково перевірте, чи зручно дивитися телевізор або ПК монітор у вибраному місці.



2 Виберіть спосіб настінного кріплення, як показано нижче.

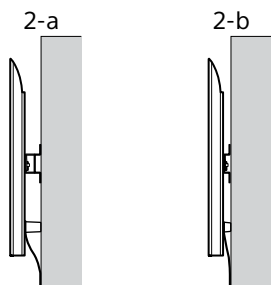
2-a: Стандартне кріплення

2-b: Тонке кріплення

- Див. «Вимірювання для встановлення кронштейна для настінного кріплення на стіні» на стор. 19.

ЗАСТЕРЕЖЕННЯ

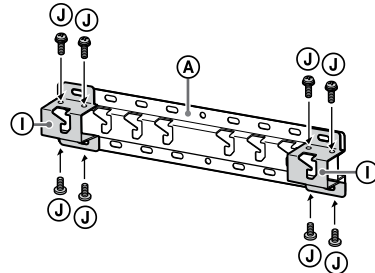
- У разі вибору 2-b доступ до гнізд на задній панелі буде обмежений.



3 Якщо вибрано стандартне кріплення (2-a):

Прикріпіть перехідник для бази ① за допомогою гвинта (+PSW 4 × 10) ② до Бази (20) ③.

- Див. «Місце встановлення перехідника для Бази ①» на стор. 20.



Приклад, встановлення перехідника для бази ① у місці «а»

Якщо вибрано тонке кріплення (2-b):

Пропустіть цей крок.

4 Визначте положення гвинтів для встановлення бази (20) ③.

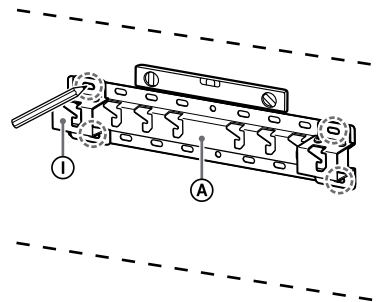
- Див. «Технічні характеристики» на стор. 18.

ЗАСТЕРЕЖЕННЯ

- Визначте міцність стіни, на яку буде встановлено телевізор або ПК монітор. За необхідності зміцніть стіну належним чином.
- Стіна, на якій установлюється телевізор або ПК монітор, має бути здатною витримати вагу, що принаймні в чотири рази перевищує вагу телевізора або ПК монітора. (Вагу телевізора або ПК монітора можна дізнатися в Довідковому посібнику.)

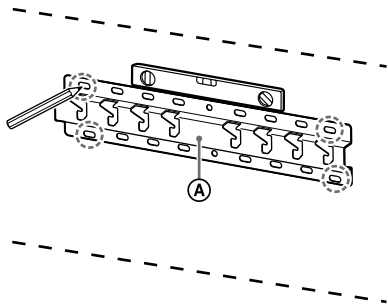
Якщо вибрано стандартне кріплення (2-a):

Використовуйте положення отворів для перехідника для бази ①.



Приклад, розмітка в місці «а» для встановлення Бази (20) ③

Якщо вибрано тонке кріплення (2-b):

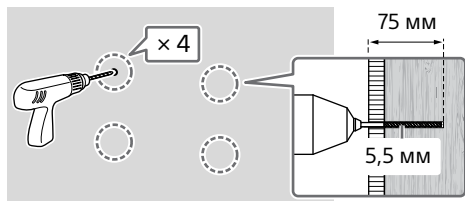


Приклад, розмітка в місці «а» для встановлення Базы (20) А

5 Просвердліть напрямні отвори в позначених місцях.

Переконайтеся, що стіна в тому місці, де буде просвердлено отвори, є достатньо міцною, щоб витримати вагу, щонайменше в чотири рази більшу за вагу телевізора або ПК монітора.

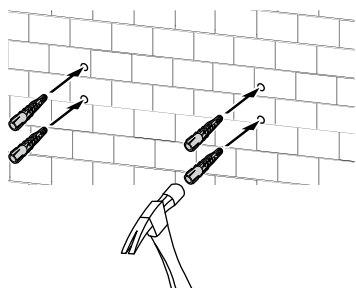
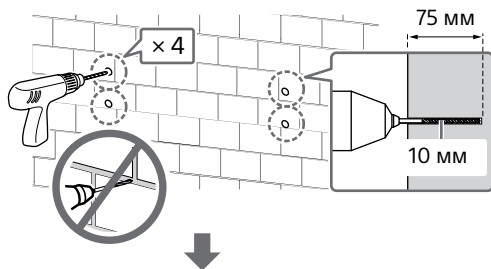
Свердління Гіпсокартону з брусами:



Примітка

- Глибина напрямних отворів — 75 мм, діаметр свердла — 5,5 мм.

Свердління монолітного бетону або бетонних блоків:



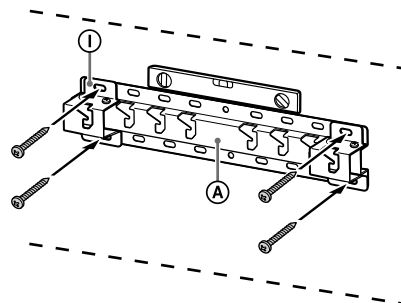
6 Встановіть базу (20) А на стіну за допомогою відповідних гвинтів (не входять до комплекту постачання).

Примітка

- Використовуйте принаймні чотири гвинти діаметром 8 мм або еквівалентні (не входять до комплекту постачання).
- Скористайтеся рівнем, щоб розташувати базу (20) А горизонтально.

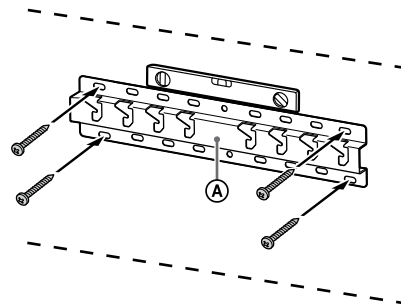
Якщо вибрано стандартне кріплення (2-а):

Вкрутіть чотири гвинти в отвори на перехіднику для бази ① з базою (20) А.



Приклад, установлення Базы (20) А у місці «а»

Якщо вибрано тонке кріплення (2-b):



Приклад, установлення Базы (20) А у місці «а»

7 Тільки KD-85X8xL / 85X8xBL / 75X8xL / 75X8xBL, KM-85X8xL / 75X8xL, XR-85X9xL / 75X9xL, XRM-85X9xL / 75X9xL

Розмітьте місце монтажу на стіні.

За допомогою малярної стрічки чи подібного матеріалу (не входить до комплекту постачання) розмітьте розташування телевізора або ПК монітора біля бази (20) А або перехідника для бази ①.

- Див. «Розмітка стіни в місці встановлення телевізора або ПК монітора» на стор. 21.

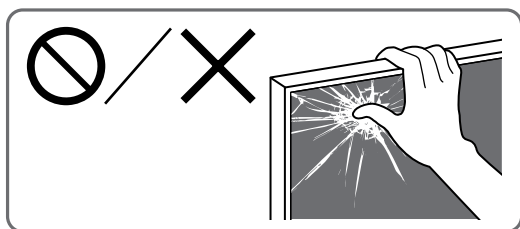
Окрім KD-85X8xL / 85X8xBL / 75X8xL / 75X8xBL, KM-85X8xL / 75X8xL, XR-85X9xL / 75X9xL, XRM-85X9xL / 75X9xL

Пропустіть цей крок.

Підготовка до встановлення телевізора або ПК монітора

Примітка

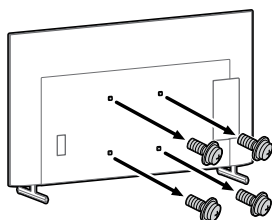
- Тримайте викручені гвинти й невикористані деталі в безпечному, недосяжному для дітей місці.



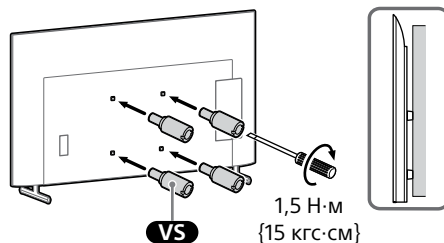
1 Прикріпіть настільну підпору, щоб поставити телевізор або ПК монітор.

- Див. посібник із налаштування телевізора або ПК монітора.

2 Викрутіть гвинти із задньої панелі телевізора або ПК монітора.



3 Прикріпіть настінне кріплення **VS** (додається до телевізора або ПК монітора) ззаду телевізора або ПК монітора (так щоб кріплення було паралельне стіні).



Примітка

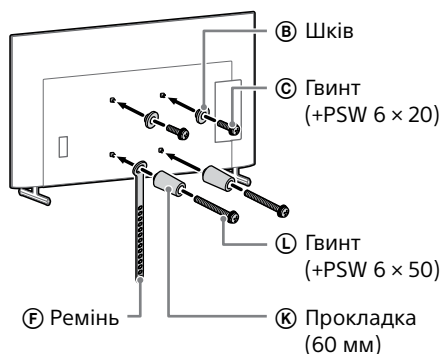
- Приєднуючи настінне кріплення **VS** до телевізора або ПК монітора, затягніть його гвинти.
- Установлюючи настінне кріплення **VS**, використовуйте лише викрутку з плоским шліцом. Використання іншого інструмента може призвести до надмірного затягування гвинтів настінного кріплення **VS** та пошкодження телевізора або ПК монітора.

4 Зафіксуйте кріпильні елементи кронштейна для настінного кріплення. Перевірте наявність усіх кріпильних елементів (див. «Постачається з SU-WL450» у розділі «Перевірка деталей» на стор. 7).

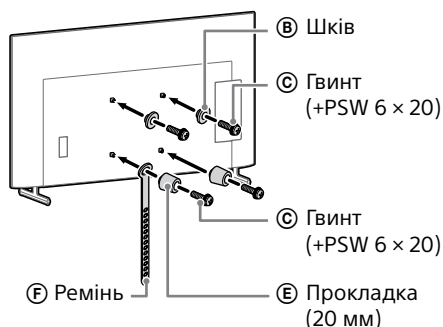
Примітка

- Надійно зафіксуйте кріпильні елементи за допомогою гвинтів.
- Для електричної викрутки встановіть момент обертання приблизно 1,5 Н·м {15 кгс·см}.

Якщо вибрано стандартне кріплення (2-а):



Якщо вибрано тонке кріплення (2-б):



5 Підключіть до телевізора або ПК монітора необхідні кабелі.

Перевірте підключення кабелів перед установленням телевізора або ПК монітора на стіні. Після встановлення телевізора або ПК монітора буде неможливо підключити кабелі.

Примітка

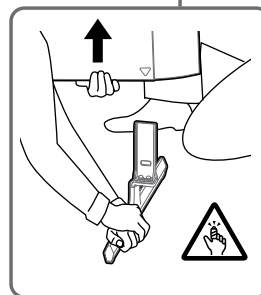
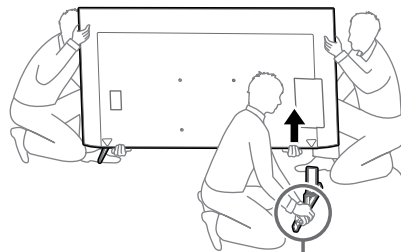
- Кабель у стіні має прокладати ліцензований підрядник.
- Упорядкуйте кабелі, щоб не наступити на них, перш ніж монтувати на стіні.

6 Від'єднайте настільну підпору від телевізора або ПК монітора.

На наведеній нижче ілюстрації показано приклад виконання операції.

Окрім KD-75X85L / 65X85L / 65X85BL / 55X85L, KM-75X85L / 65X85L / 55X85L, XR-85X90L / 75X90L / 65X90L / 55X90L, XRM-85X90L / 75X90L / 65X90L / 55X90L

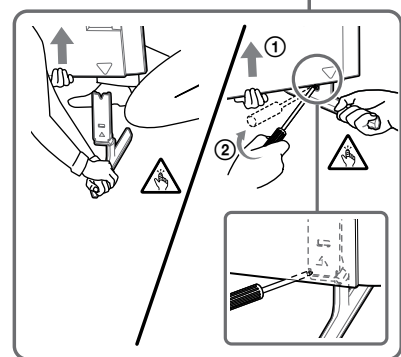
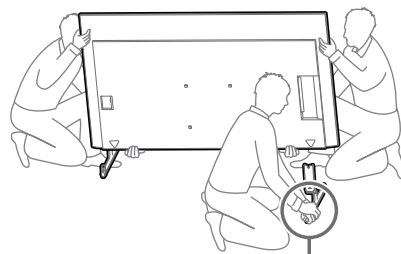
- Знімайте одну сторону настільної підпори за раз. Міцно тримайте настільну підпору двома руками, в той час як інші особи підіймають телевізор або ПК монітор.



- Повторіть попередній крок та зніміть іншу сторону настільної підпори.

Тільки KD-75X85L / 65X85L / 65X85BL / 55X85L, KM-75X85L / 65X85L / 55X85L

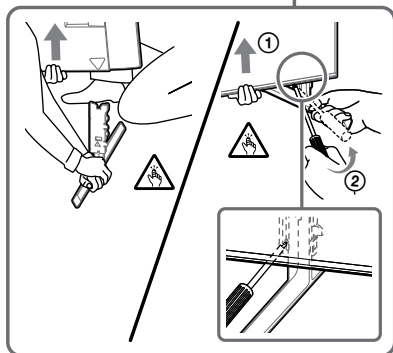
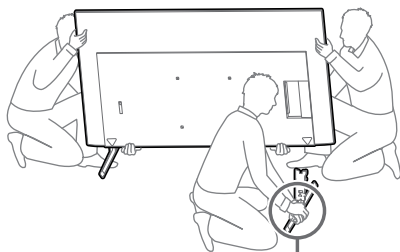
- Знімайте одну сторону настільної підпори за раз. Міцно тримайте настільну підпору двома руками, в той час як інші особи підіймають телевізор або ПК монітор.



- Повторіть попередній крок та зніміть іншу сторону настільної підпори.

Тільки XR-85X90L / 75X90L / 65X90L / 55X90L, XRM-85X90L / 75X90L / 65X90L / 55X90L

- Знімайте одну сторону настільної підпори за раз. Міцно тримайте настільну підпору двома руками, в той час як інші особи підіймають телевизор або ПК монітор.



- Повторіть попередній крок та зніміть іншу сторону настільної підпори.

Примітка

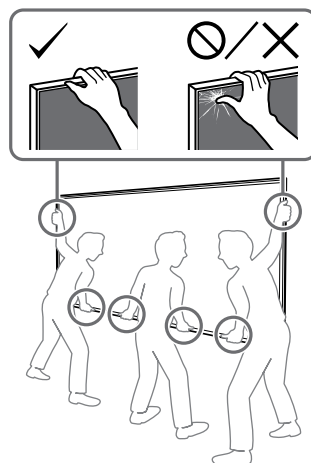
- Щонайменше три особи потрібно, щоб від'єднати настільну підпору.
- Остерігайтеся застосування надмірної сили, від'єднуючи настільну підпору від телевизора або ПК монітора, що може призвести до падіння телевизора або ПК монітора і стати причиною травмування людей або пошкодження телевизора або ПК монітора.
- Обережно поводьтеся з настільною підпорою, щоб не пошкодити телевизор або ПК монітор.
- Піднімайте телевизор або ПК монітор обережно, оскільки від'єднана настільна підпора може перекинутися та спричинити травми людей.
- Будьте вкрай обережними, коли знімаєте настільну підпору з телевизора або ПК монітора. Якщо підпора впаде, вона може пошкодити поверхню, на якій тримається телевизор або ПК монітор.

Установлення телевизора або ПК монітора на стіні

Тільки KD-85X8xL / 85X8xBL / 75X8xL / 75X8xBL, KM-85X8xL / 75X8xL, XR-85X9xL / 75X9xL, XRM-85X9xL / 75X9xL

ЗАСТЕРЕЖЕННЯ

- Для транспортування великого телевизора або ПК монітора потрібно дві або більше осіб (три або більше осіб для телевизора або ПК монітора з діагоналлю 189,3 см (75 дюйма) або більшою) (крім Єгипту).
Для транспортування великого телевизора або ПК монітора потрібно дві або більше осіб (три або більше осіб для телевизора або ПК монітора з діагоналлю 75 дюйма (189,3 см) або більшою) (тільки для Єгипту).



1 Підніміть телевизор або ПК монітор.

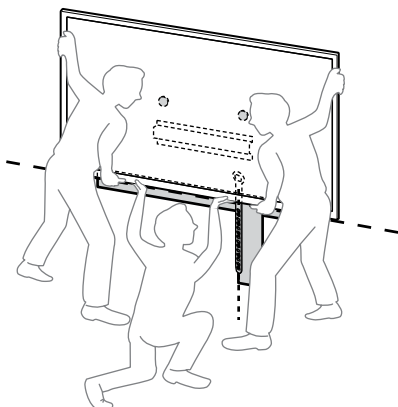
- Щодо місць розташування шківів Ⓑ для підвішування на Базі (20) Ⓐ або перехіднику для бази ① див. розділ «Місце встановлення перехідника для Базы ①» на стор. 20.
- Тримавши телевизор або ПК монітор, переконайтеся, що задній бік телевизора або ПК монітора торкається бази (20) Ⓐ або перехідника для бази ①.

Примітка

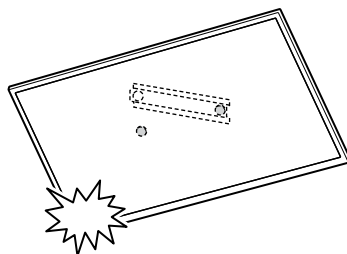
- Надійно тримайте телевизор або ПК монітор обома руками. Ремінь Ⓒ у нижній частині телевизора або ПК монітора має бути вирівняний за малярною стрічкою.

UA

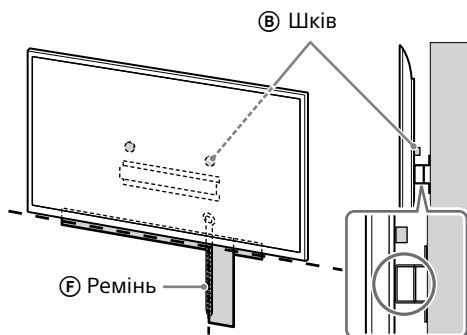
- Тримати телевизор або ПК монітор повинні трое людей. Той, хто розташовується спереду відносно телевизора або ПК монітора, має давати вказівки іншим, щоб вирівняти положення.



- Повільно відпускайте телевизор або ПК монітор обома руками, щоб пересвідчитися, що він не впаде.



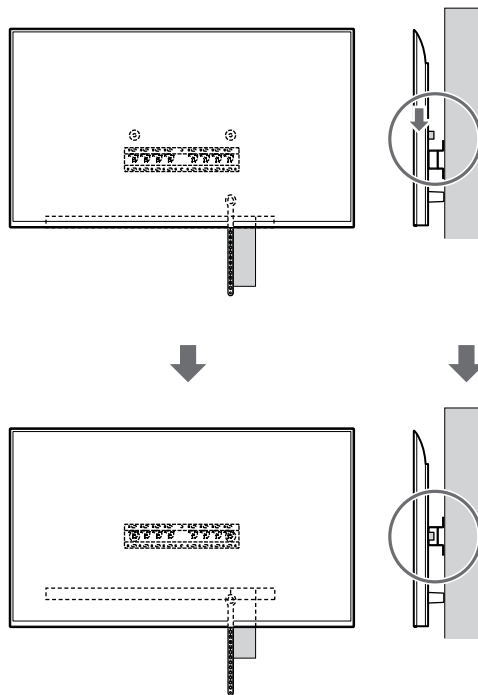
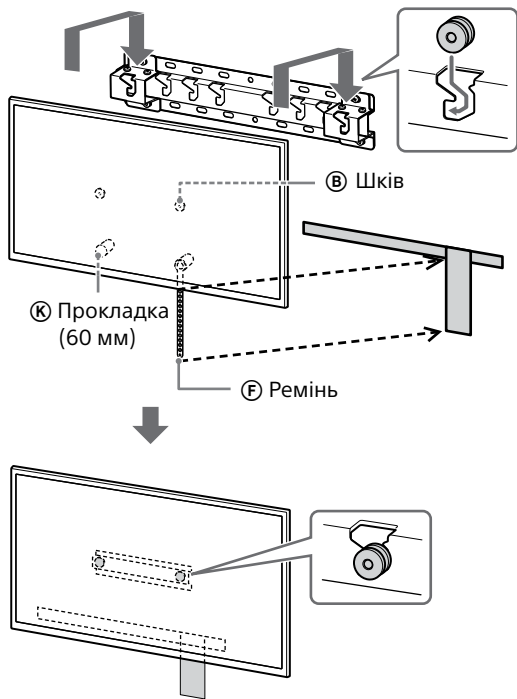
- Під час встановлення телевизора або ПК монітора на стіні необхідно бути вкрай обережними, особливо тому, хто підтримує телевизор або ПК монітор низу. Падіння телевизора або ПК монітора може призвести до серйозного травмування або навіть смерті.



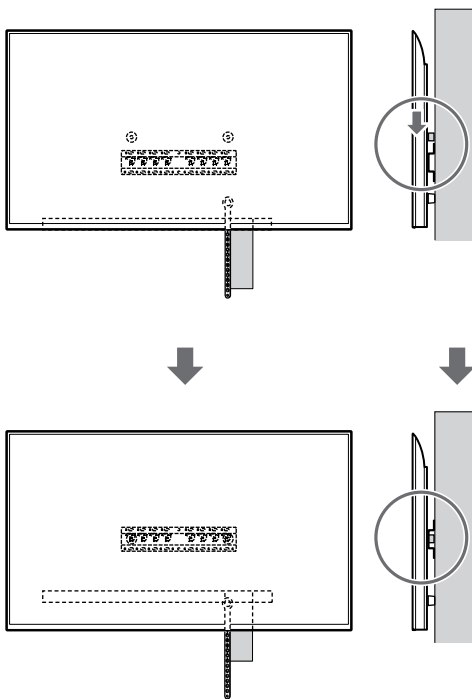
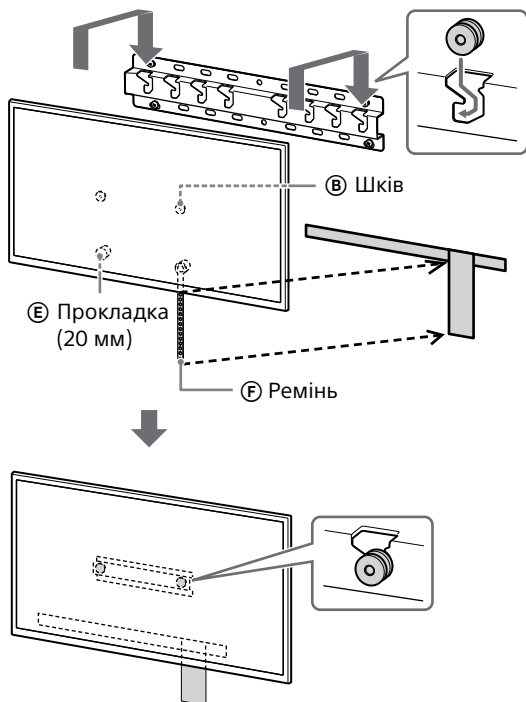
2 Установіть телевизор або ПК монітор на базу (20) **А** або перехідник для бази **І**.

- Обережно опустіть телевизор або ПК монітор та підвісьте шків **Б**, прикріплені ззаду телевизора або ПК монітора, на базу (20) **А** або перехіднику для бази **І** (вони повинні відповідати розмірам отворів).
- Після встановлення телевизора або ПК монітора на стіні переконайтеся, що шків **Б** надійно зафіксовано в базі (20) **А** або в перехіднику для бази **І**.

Якщо вибрано стандартне кріплення (2-а):



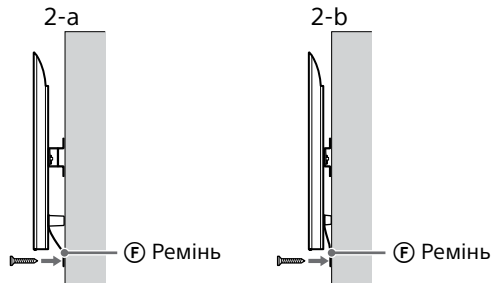
Якщо вибрано тонке кріплення (2-б):



UA

3 Запобігання зміщенню нижньої частини телевізора або ПК монітора.

- Підберіть провислу частину ремня (F) та надійно прикріпіть його до стіни.



- Використовуйте гвинт діаметром 5 мм або еквівалентний (не входить до комплекту постачання).

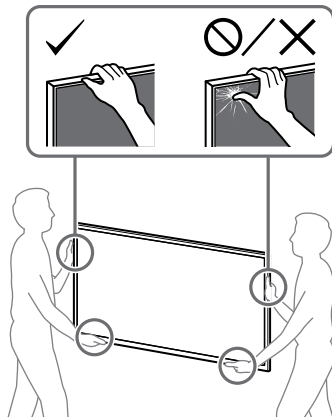
Примітка

- Спробуйте легко потягнути нижню частину телевізора або ПК монітора на себе, щоб переконатися, що вона не рухається вперед. Якщо відбувається рух, то фіксація неправильна й необхідно ще раз надійно закріпити ремінь (F).

Окрім KD-85X8xL / 85X8xBL / 75X8xL / 75X8xBL, KM-85X8xL / 75X8xL, XR-85X9xL / 75X9xL, XRM-85X9xL / 75X9xL

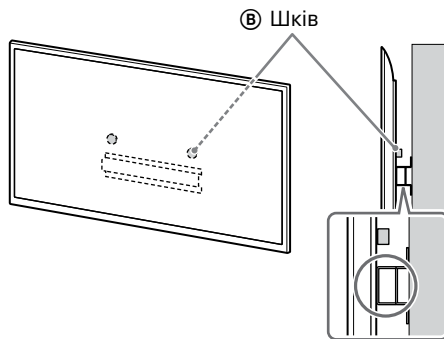
ЗАСТЕРЕЖЕННЯ

- Для транспортування великого телевізора або ПК монітора потрібно дві або більше осіб (три або більше осіб для телевізора або ПК монітора з діагоналлю 189,3 см (75 дюйма) або більшою) (крім Єгипту).
Для транспортування великого телевізора або ПК монітора потрібно дві або більше осіб (три або більше осіб для телевізора або ПК монітора з діагоналлю 75 дюйма (189,3 см) або більшою) (тільки для Єгипту).



1 Підніміть телевізор або ПК монітор.

- Щодо місць розташування шківів (B) для підвішування на Базі (20) (A) або перехіднику для бази (I) див. розділ «Місце встановлення перехідника для Базі (I)» на стор. 20.
- Тримавши телевізор або ПК монітор, переконайтеся, що задній бік телевізора або ПК монітора торкається бази (20) (A) або перехідника для бази (I).

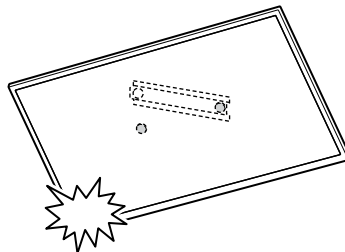


Примітка

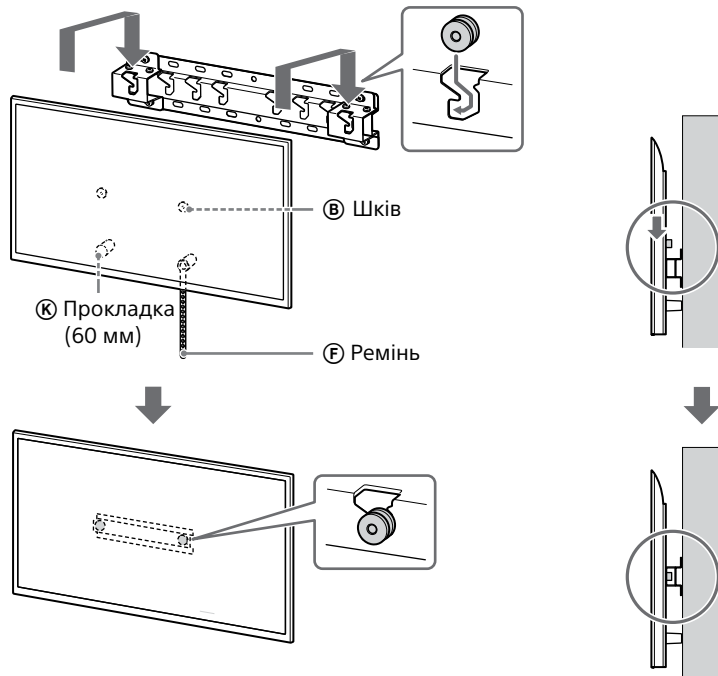
- Надійно тримайте телевізор або ПК монітор обома руками.

2 Установіть телевізор або ПК монітор на базу (20) (A) або перехідник для бази (I).

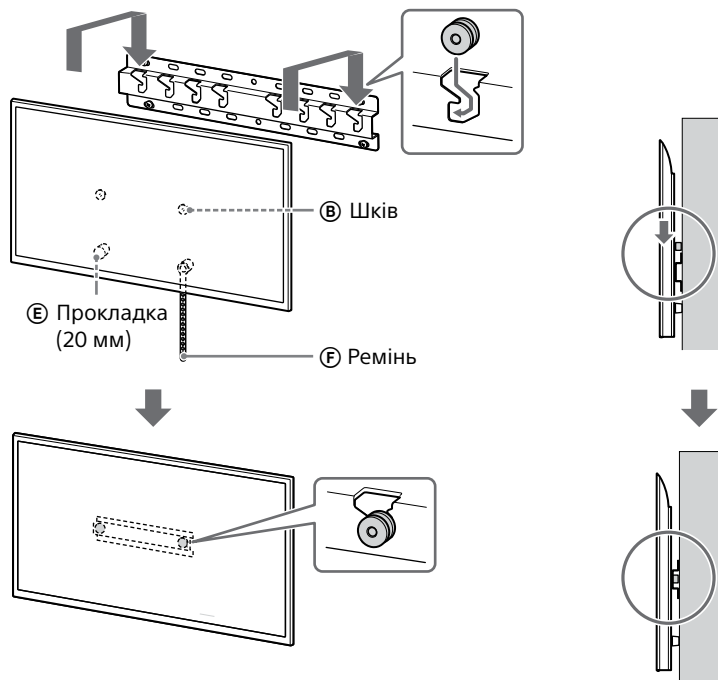
- Обережно опустіть телевізор або ПК монітор та підвісьте шківів (B), прикріплені ззаду телевізора або ПК монітора, на базу (20) (A) або перехіднику для бази (I) (вони повинні відповідати розмірам отворів).
- Після встановлення телевізора або ПК монітора на стіні переконайтеся, що шківів (B) надійно зафіксовано в базі (20) (A) або в перехіднику для бази (I).
- Повільно відпускайте телевізор або ПК монітор обома руками, щоб пересвідчитися, що він не впаде.



Якщо вибрано стандартне кріплення (2-а):

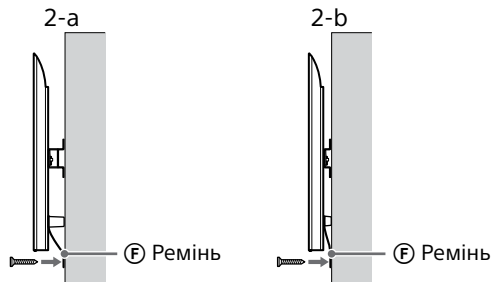


Якщо вибрано тонке кріплення (2-б):



3 Запобігання зміщенню нижньої частини телевізора або ПК монітора.

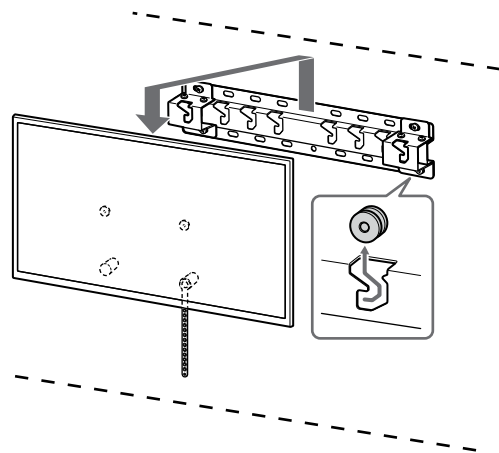
- Підберіть провислу частину ремня (F) та надійно прикріпіть його до стіни.



- Використовуйте гвинт діаметром 5 мм або еквівалентний (не входить до комплекту постачання).

Примітка

- Спробуйте легко потягнути нижню частину телевізора або ПК монітора на себе, щоб переконатися, що вона не рухається вперед. Якщо відбувається рух, то фіксація неправильна й необхідно ще раз надійно закріпити ремінь (F).



ЗАСТЕРЕЖЕННЯ

- Для транспортування великого телевізора або ПК монітора потрібно дві або більше осіб (три або більше осіб для телевізора або ПК монітора з діагоналлю 189,3 см (75 дюйма) або більшою) (крім Єгипту).
Для транспортування великого телевізора або ПК монітора потрібно дві або більше осіб (три або більше осіб для телевізора або ПК монітора з діагоналлю 75 дюйма (189,3 см) або більшою) (тільки для Єгипту).

Перевірка після завершення встановлення

Перевірте зазначені нижче пункти.

- Шківи (B) надійно вставлено в базу (20) (A) або в перехідник для бази (1).
- Шнур і кабель не перекручені й не затиснені.
- Ремінь (F) міцно закріплено без провисання.

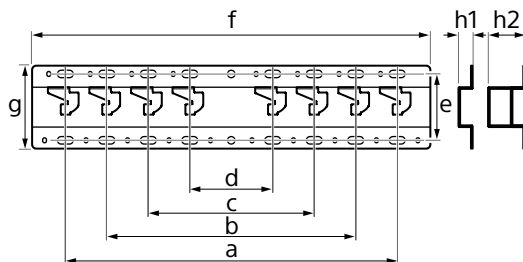
ЗАСТЕРЕЖЕННЯ

- Неправильне розміщення шнура живлення змінного струму тощо може стати причиною пожежі або ураження електричним струмом унаслідок короткого замикання. З метою безпеки обов'язково перевірте все після завершення встановлення.

Інші відомості

Під час знімання телевізора або ПК монітора дотримуйтеся вказаної процедури встановлення у зворотному порядку.

Технічні характеристики



Розміри: (прибл.) [мм]

- a : 400
- b : 300
- c : 200
- d : 100
- e : 80
- f : 480
- g : 100

- h1 : 20 (для тонкого кріплення, 2-b)
- h2 : 60 (для стандартного кріплення, 2-a)

Вага (тільки база): (прибл.) [кг]

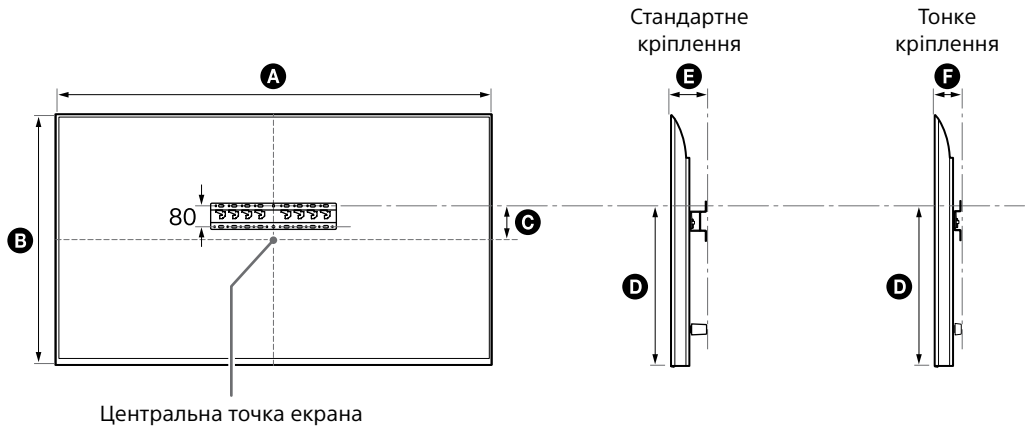
0,8

Конструкція та технічні характеристики можуть бути змінені без попередження.

Довідкові матеріали

Вимірювання для встановлення кронштейна для настінного кріплення на стіні

Цифри в наведеній таблиці можуть дещо відрізнятись в залежності від монтажу.

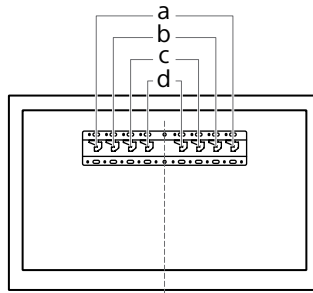


(мм)

Назва моделі	A	B	C	D	E	F
KD-85X81BL / 85X80L KM-85X80L	1901	1090	43	592	138	96
XR-85X90L XRM-85X90L	1891	1085	58	607	125	83
KD-75X85L KM-75X85L	1671	960	21	508	123	81
KD-75X81BL / 75X80L KM-75X80L	1675	962	12	493	137	95
XR-75X90L XRM-75X90L	1668	959	21	508	123	81
KD-65X85L / 65X85BL KM-65X85L	1447	832	85	505	123	81
KD-65X81BL / 65X80L KM-65X80L	1452	836	76	494	135	93
XR-65X90L XRM-65X90L	1445	831	85	505	123	81
KD-55X85L KM-55X85L	1228	709	146	505	122	81
KD-55X81BL / 55X80L KM-55X80L	1233	713	133	494	135	93
XR-55X90L XRM-55X90L	1225	707	146	505	122	81
KD-50X80L KM-50X80L	1119	649	63	392	133	91
KD-43X80L KM-43X80L	964	563	111	392	133	91

UA

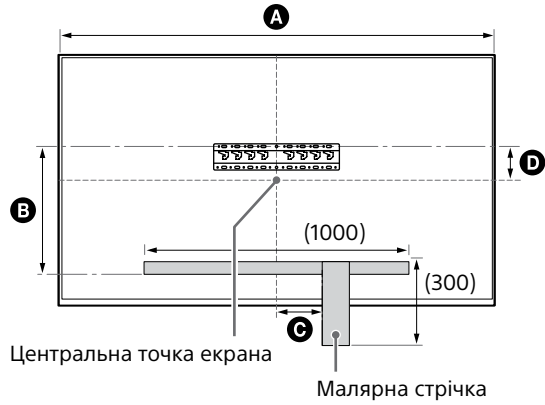
Місце встановлення перехідника для Базис ①



Назва моделі	Розташування гаків
KD-85X81BL / 85X80L KM-85X80L XR-85X90L XRM-85X90L	a
KD-75X85L / 75X81BL / 75X80L KM-75X85L / 75X80L XR-75X90L XRM-75X90L	b
KD-65X85L / 65X85BL / 65X81BL / 65X80L KM-65X85L / 65X80L XR-65X90L XRM-65X90L	b

Назва моделі	Розташування гаків
KD-55X85L / 55X81BL / 55X80L KM-55X85L / 55X80L XR-55X90L XRM-55X90L	b
KD-50X80L KM-50X80L	c
KD-43X80L KM-43X80L	c

Розмітка стіни в місці встановлення телевізора або ПК монітора



(мм)

Назва моделі	A	B	C	D
KD-85X81BL / 85X80L KM-85X80L	1901	472	200	43
XR-85X90L XRM-85X90L	1891	486	200	58
KD-75X85L KM-75X85L	1671	388	150	21
KD-75X81BL / 75X80L KM-75X80L	1675	373	150	12
XR-75X90L XRM-75X90L	1668	388	150	21

UA

Paigaldusteave Sony seinale paigaldamise kinnituse (SU-WL450) kasutamise kohta

Toetatud mudelid*:

* Tegelikud mudelite nimedes tähendab „x”/„xx” numbreid ja/või märke, mis on omased igale mudelile.

KD-85X8xL / 85X8xBL / 75X8xL / 75X8xBL / 65X8xL / 65X8xBL / 55X8xL / 55X8xBL / 50X8xL / 43X8xL

KM-85X8xL / 75X8xL / 65X8xL / 55X8xL / 50X8xL / 43X8xL

XR-85X9xL / 75X9xL / 65X9xL / 55X9xL

XRM-85X9xL / 75X9xL / 65X9xL / 55X9xL

Klientidele

Toote kaitsmiseks ja ohutuse tagamiseks soovib Sony tungivalt, et teleri või LCD-kuvari paigaldaks Sony edasimüüja või litsentseeritud töövõtja. Ärge proovige seda ise paigaldada.

Sony edasimüüjatele ja töövõtjatele

Pöörake selle toote paigaldamisel, regulaarsel hooldamisel ja kontrollimisel täielikult tähelepanu ohutusele.

Selle toote paigaldamiseks on vajalik piisav kogemus, eriti teleri või LCD-kuvari raskusele vastupidava seina tugevuse välja selgitamiseks. Laske see toode kinnitada seinale Sony edasimüüjal või litsentseeritud töövõtjal ja pöörake paigaldamisel piisavalt tähelepanu ohutusele. Sony ei vastuta kahjustuste ega vigastuste eest, mille on põhjustanud sobimatu käsitlemine või vale paigaldamine.

Ohutuse tagamiseks ja õigeks paigaldamiseks järgige seinale paigaldamise kinnituse kasutusjuhendit, teleri või LCD-kuvari seadistusjuhendit ja selle juhendi juhiseid.

Seinale paigaldamise kinnitus

Ohutusest

Täname teid selle toote soetamise eest.

Klientidele

Teleri või LCD-kuvari paigaldamine seinale



HOIATUS

NÕUTAV ON ASJATUNDLIK PAIGALDUS!

Seda toodet tohib paigaldada vaid professionaalne paigaldaja, kelle väljaõpe võimaldab hinnata, kas sein on teleri või LCD-kuvari kaalu jaoks piisavalt tugev. Kui seda ei fikseerita paigaldamisel nõuetekohaselt, võib teler või LCD-kuvar kukkuda ja põhjustada raskeid vigastusi. Sony ei ole vastutav mis tahes kahjustuste või vigastuste eest, mis on tingitud nõuetele mittevastavast käsitsemisest või paigaldamisest või ettenähtust erineva toote paigaldamisest. See ei mõjuta teie seadusejärgseid õigusi (kui neid on).

Sony edasimüüjatele

Käesoleva toote paigaldamine eeldab piisavat asjatundlikkust. Lugege käesolevat kasutusjuhend hoolikalt läbi, et tagada ohutu paigaldus. Sony ei vastuta kahjustuste või vigastuste eest, mis on tingitud toote valest kasutamisest või ebakorrektest paigaldusest. Andke see juhend pärast paigalduse lõpetamist klientidele.

Käesolev kasutusjuhend tutvustab toote õiget kasutamist ja olulisi ettevaatusabinõusid õnnetuste vältimiseks. Teie kohus on lugeda hoolikalt kõiki selles kasutusjuhendis sisalduvaid suuniseid, teha need endale selgeks ning neid järgida. Selle juhise eiramisega võivad kaasnedes rasked kehavigastused või varakahju ning see võib tühistada garantii. Säilitage juhend edaspidiseks kasutamiseks.

Sony toodete loomisel on lähtutud ohutusest. Toodete vale kasutamine võib tekitada tõsiseid vigastusi tulekahju, elektrilöögi, toote ümberminemise või kukkumise tagajärjel. Nimetatud õnnetuste vältimiseks tuleb järgida ohutusabinõusid.

ETTEVAATUST

Sobivad tooted

See seinale paigaldamise kinnitus on mõeldud kasutamiseks koos kindlate telerite või LCD-kuvaritega. Telerite või LCD-kuvarite puhul vaadake nende teatmikku, et kontrollida, kas seinale paigaldamise kinnitust saab nendega kasutada.

Klientidele

HOIATUS

Järgmiste ettevaatusabinõude eiramine võib põhjustada tõsiseid vigastusi või surma tulekahju, elektrilöögi, toote ümberminemise või kukkumise tagajärjel.

Laske paigaldamine teostada litsentsitud töövõtjatel ja hoidke väikesed lapsed paigaldustöödest eemale.

Seinale paigaldamise kinnituse või teleri või LCD-kuvari vale paigaldamine võib põhjustada järgmisi õnnetusi. Laske paigaldus teostada litsentsitud töövõtjatel.

- Teler või LCD-kuvar võib kukkuda ja tekitada tõsise vigastuse, nt verevalum või luumurd.
- Kui seinale paigaldamise kinnitus paigaldatakse ebastabiilsele, ebatasasele või pörandaga mittevertikaalsele seinale, võib seade kukkuda ja tekitada vigastusi või varalist kahju. Sein peab taluma vähemalt neljakordset teleri või LCD-kuvari raskust. (Vaadake teleri või LCD-kuvari teatmikust selle raskust.)
- Kui seinale paigaldamise kinnitus ei ole paigaldatud piisavalt tugevalt, võib seade kukkuda ja tekitada vigastusi või varalist kahju.

Laske teleri või LCD-kuvari liigutamist või eemaldamist teostada litsentsitud töövõtjatel.

Kui telerit või LCD-kuvarit transpordivad või eemaldavad seinalt mittelitsentsitud töövõtjad, võib teler kukkuda ja tekitada vigastusi või varalist kahju. Suure teleri või LCD-kuvari transportimiseks on vaja vähemalt kahte inimest (189,3 cm (75 tolli) ja suurema teleri või LCD-kuvari korral vähemalt kolme inimest) (v.a Egiptus). Suure teleri või LCD-kuvari transportimiseks on vaja vähemalt kahte inimest (75 tolli (189,3 cm) ja suurema teleri või LCD-kuvari korral vähemalt kolme inimest) (ainult Egiptus).

Ärge eemaldage pärast teleri või LCD-kuvari paigaldamist kruvisid vms.

Seda tehes võib teler või LCD-kuvar kukkuda ja tekitada vigastusi või varalist kahju.

Ärge tehke seinale paigaldamise kinnituse osadele muudatusi.

Seda tehes võib seinale paigaldamise kinnitus kukkuda ja tekitada vigastusi või varalist kahju.

Paigaldage seinakinnitusele ainult selleks ettenähtud tooteid.

See seinale paigaldamise kinnitus on mõeldud kasutamiseks ainult kindlate toodetega. Muude seadmete paigaldamisel võib seinakinnitus kukkuda või puruneda ja tekitada vigastusi või varalist kahju.

Ärge asetage seinale paigaldamise kinnitusele telerit või LCD-kuvarit suuremat koormust. Ärge raputage telerit või LCD-kuvarit vasakule/ paremale ega üles/alla.

Seda tehes võib teler või LCD-kuvar kukkuda ja tekitada vigastusi või varalist kahju.

Ärge toetuge telerile või LCD-kuvarile või rippuge selle küljes.

Ärge toetuge telerile või LCD-kuvarile või rippuge selle küljes, kuna see võib teile peale kukkuda ja tekitada tõsise vigastuse.

ETTEVAATUST

Järgmiste ettevaatusabinõude eiramine võib tekitada vigastusi või varalist kahju.

- Pange kasutamata jäänud osad edasiseks kasutamiseks kindlasti turvalisse kohta hoiule. Hoidke lastele kättesaamatus kohas.

Ärge rakendage toote puhastamisel või hooldamisel liigset jõudu.

Ärge rakendage teleri või LCD-kuvari pealmisele küljele liigset jõudu. Seda tehes võib teler või LCD-kuvar kukkuda ja tekitada vigastusi või varalist kahju.

Ettevaatusabinõud

- Teleri või LCD-kuvari pikaajalise kasutamisel seinale paigaldamise kinnitusele paigaldatuna võib teleri või LCD-kuvari taga või selle kohal olev sein värvu muuta või taheet lahti tulla, olenevalt seina materjalist.
- Seinale paigaldamise kinnituse seinalt eemaldamisel pärast selle paigaldamist jäävad alles kruviaugud.
- Ärge kasutage seinale paigaldamise kinnitust kohas, kus see puutub kokku mehaaniliste vibratsioonidega.

Seinale paigaldamise kinnituse paigaldamine

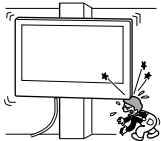
Sony edasimüüjatele

HOIATUS

Järgmised suunised on mõeldud ainult Sony edasimüüjatele. Lugege läbi eelnevalt kirjeldatud ohutusabinõud ja pöörake toote paigaldamisel, hooldamisel ja kontrollimisel erilist tähelepanu ohutusele.

Ärge paigaldage seinale paigaldamise kinnitust seinale, kus teleri või LCD-kuvari nurgad või küljed eenduvad seinast.

Ärge paigaldage seinale paigaldamise kinnitust seinale, nt piilarile, kus teleri või LCD-kuvari nurgad või küljed eenduvad seinast. Teleri või LCD-kuvari eenduva nurga või külje vastu pörkumine võib tekitada vigastusi või varalist kahju.

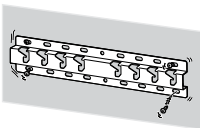


Ärge paigaldage telerit või LCD-kuvarit õhukonditsioneeriga alla või selle kohale.

Teleri või LCD-kuvari pikaajaline kokkupuude õhukonditsioneerist tulevaga õhuvoolu või sellest lekkiva veega võib tekitada tulekahju või elektrilöögi või põhjustada teleri või LCD-kuvari rikke.

Paigaldage seinale paigaldamise kinnitust tugevalt seinale, järgides käesoleva kasutusjuhendi suuniseid.

Kui mõni kruvi on halvasti kinnitatud või kukub välja, võib seinale paigaldamise kinnitust kukkuda ja tekitada vigastusi või varalist kahju. Kasutage seinamaterjalile vastavaid nõuetekohaseid kruvisid ja paigaldage seinakinnitus tugevalt vähemalt nelja 8 mm läbimõelduga (või samaväärse) kruviga.



Veenduge, et kasutate kaasasolevaid kruvisid ja kinnitust detaile õigesti vastavalt käesoleva kasutusjuhendi suunistele. Kinnitusvahendite asendamisel võib teler või LCD-kuvar kukkuda ja põhjustada kellelegi kehavigastuse või teleri või LCD-kuvari kahjustusi.

Pange seinakinnitus õigesti kokku vastavalt käesoleva kasutusjuhendi suunistele.

Kui mõni kruvi on halvasti kinnitatud või kukub välja, võib teler või LCD-kuvar kukkuda ja tekitada vigastusi või kahjustada telerit või LCD-kuvarit.

Keerake kruvid tugevalt kinni ettenähtud kohtades.

Vastasel korral võib teler või LCD-kuvar kukkuda ja põhjustada kellelegi kehavigastuse või teleri või LCD-kuvari kahjustusi.

Veenduge, et teler või LCD-kuvar ei saaks paigaldamise ajal pörutada.

Pörutuste korral võib teler või LCD-kuvar kukkuda või puruneda. See võib tekitada vigastuse.

Paigaldage teler või LCD-kuvar vertikaalsele ja siledale seinale.

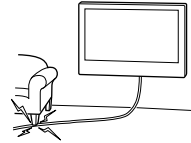
Vastasel korral võib teler või LCD-kuvar kukkuda ja tekitada vigastuse.

Pärast teleri või LCD-kuvari nõuetekohast paigaldamist veenduge, et kaablid on paigaldatud ohutult.

Kaablitse takerdumine võib tekitada vigastuse või kahjustada telerit või LCD-kuvarit.

Vältige vahelduvvoolu toitekaabli või ühenduskaabli muljumist.

Kui vahelduvvoolu toitekaabel või ühenduskaabel on seinakinnituse ja teleri vahele surrutud või neid on jõuga väänatud, võivad kaablisisesed elektrijuhtmed tekitada lühise või põhjustada elektrikatkestuse. See võib põhjustada tulekahju või elektrilöögi.



Seinale paigaldamise kinnituse seinale kinnitamiseks ettenähtud kruvid ei kuulu komplekti.

Kasutage seinale paigaldamise kinnituse paigaldamisel seinamaterjalile ja konstruktsioonile vastavaid kruvisid.

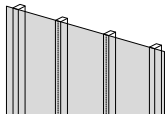
Enne alustamist

- Käesolevas juhendis olevad teleri või LCD-kuvari illustratsioonid on näited, mida kasutatakse töö selgitamiseks. Seetõttu võivad illustratsioonid teie tegelikust telerist või LCD-kuvarist erineda.

Millest teie sein tehtud on?

Esiteks kontrollige seina tüüpi, millele kavatsete teleri või LCD-kuvari paigutada.

Karkassiga kipssein



Ettevaatusabinõud

- Maksimaalne kipsseina paksus: 16 mm.
- Veenduge, et sisemise puittala suurus oleks vähemalt 51 mm × 102 mm (tavaline) või 38 mm × 89 mm (nimiväärtus).

Kõva betoon või betoonplokk



Ettevaatusabinõud

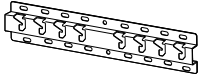








- Paigaldage seinalle paigaldamise kinnitus otse kõva betoonseina peale.
- Veenduge, et betoonseina paksus oleks vähemalt 203 mm.
- Veenduge, et iga betoonploki suurus oleks vähemalt 203 mm × 203 mm × 406 mm.

EE




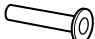

Osade kontroll

Komplektis SU-WL450-ga


- Veenduge, et kõik osad on olemas.

<p>Ⓐ Alus (20) (x1)</p> 	<p>Ⓑ Rihmaratas (x2)</p> 	<p>Ⓒ Kruvi (+PSW 6 x 20) (x4)</p> 	<p>Ⓔ Vaherõngas (20 mm) (x2)</p> 
<p>Ⓕ Rihm (x1)</p> 	<p>Ⓘ Aluse adapter (x2)</p> 	<p>Ⓙ Kruvi (+PSW 4 x 10) (x8)</p> 	<p>Ⓚ Vaherõngas (60 mm) (x2)</p> 
<p>Ⓛ Kruvi (+PSW 6 x 50) (x2)</p> 			

- Neid osasid ei pruugita teie mudeliga kasutada.

<p>Ⓓ Kruvi (+PSW 4 x 20) koos vahepuksiga (x2)</p> 	<p>Ⓞ Puks (20) (M4) (x2)</p> 	<p>Ⓢ Kruvi (+PSW 4 x 20) (x2)</p> 	<p>Ⓜ Puks (M4) (x2)</p> 
<p>Ⓝ Kruvi (+PSW 4 x 50) (x2)</p> 			



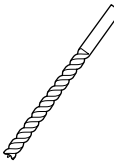
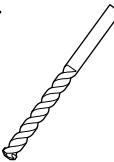
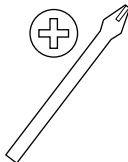
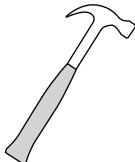
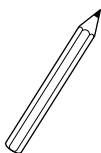
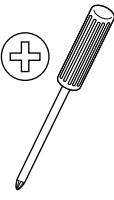
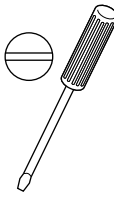
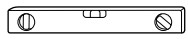




Komplektis teleri või LCD-kuvariga

<p>Seinale paigaldamise ühendus VS (x4)*</p> 

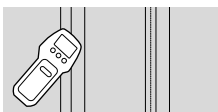
- * Ainult teatud piirkondade/riikide/mudelite jaoks.

Ettevalmistus

- Enne paigaldamist otsige välja ja hoidke käepärast teleri või LCD-kuvari teatmik ja seadistusjuhend.
- Määrake kindlaks teleri või LCD-kuvari paigalduskoht.
- Varuge vähemalt neli 8 mm läbimõõduga ja üks 5 mm läbimõõduga kruvi või samaväärsed (pole komplektis). Valige seina materjaliga sobivad kruvid.
- Valmistage ette järgmised tööriistad:

*1 		 5,5 mm	 10 mm	
*2 		 1,5 N·m {15 kgf·cm}	*3  1,5 N·m {15 kgf·cm}	
	*2  (×4)	 (×4) 8 mm × 60 mm	 5 mm	
*4 				

*1 Ainult karkassiga kipsseinale



*2 Ainult kõvale betoonile või betoonplokkile

*3 Olenevalt mudelist

*4 Ainult 189,3 cm (75-tollise) ja suurema teleri või LCD-kuvari puhul (v.a Egiptus)
Ainult 75-tollise (189,3 cm) ja suurema teleri või LCD-kuvari puhul (ainult Egiptus)

Seinale paigaldamise kinnituse paigaldamine seinale

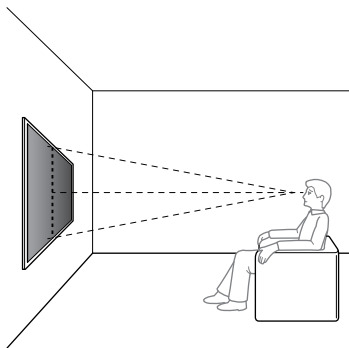
1 Tehke kindlaks paigalduskoht.

Veenduge, et seinal oleks teleri või LCD-kuvari jaoks piisavalt ruumi ja see suudab kanda vähemalt neljakordset teleri või LCD-kuvari raskust.

Vaadake teleri või LCD-kuvari raskust oma teleri või LCD-kuvari teatmikust.

Märkus.

- Kui teler või LCD-kuvar on seinale paigaldatud, kaldub teleri või LCD-kuvari ülemine osa vähesel määral ettepoole.
- Soovitame teleri või LCD-kuvari paigutust kontrollida selle vaatamiskohast.



2 Valige all näidatud seinale paigutamise viis.

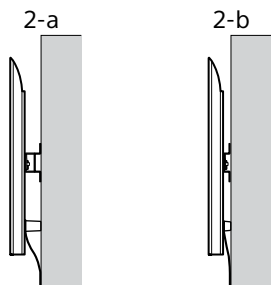
2-a: Standardpaigaldus

2-b: Õhuke paigaldus

- Vt jaotist „Seinale paigaldamise kinnituse seinale paigaldamise mõõtmed” lk 18.

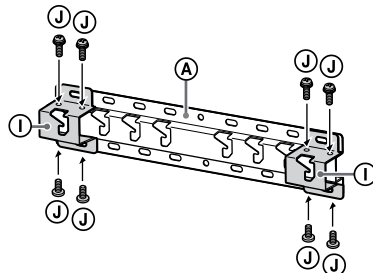
HOIATUS

- 2-b valimisel on juurdepääs tagumisele liitmikule piiratud.



3 Kui valitud on standardpaigaldus (2-a): Kinnitage aluse adapter (1) kruvi (+PSW 4 x 10) (J) kasutades aluse (20) (A) külge.

- Vt jaotist „Aluse adapteri (1) paigalduskoht” lk 19.



Nt, aluse adapteri (1) paigaldamine asukohta „a”

Kui valitud on õhuke paigaldus (2-b):

Jätke see etapp vahele.

4 Määrake kindlaks aluse (20) (A) paigaldamiseks mõeldud kruvide kinnituskohad.

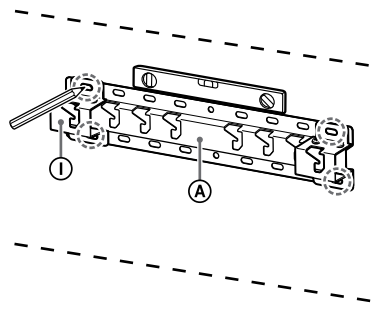
- Vt jaotist „Tehnilised andmed” lk 17.

HOIATUS

- Tehke kindlaks seina tugevus, millele teler või LCD-kuvar paigaldatakse. Vajaduse korral tugevdage seina piisaval määral.
- Sein, kuhu teler või LCD-kuvar paigaldatakse, peab taluma vähemalt **neljakordset** teleri või LCD-kuvari massi. (Vaadake teleri või LCD-kuvari teatmikust selle raskust.)

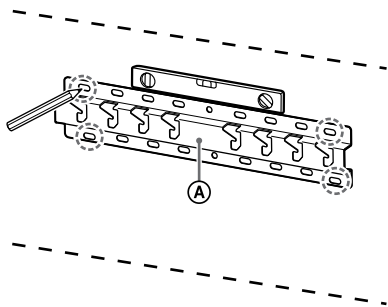
Kui valitud on standardpaigaldus (2-a):

Kasutage aluse adapteris (1) olevaid aukude asendeid.



Nt, asukohta „a” märkimine aluse kinnitamiseks (20) (A)

Kui valitud on õhuke paigaldus (2-b):

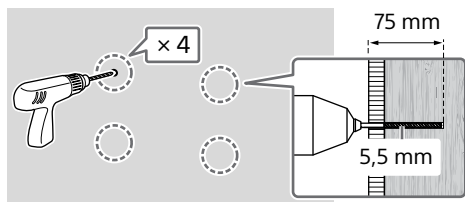


Nt, asukohta „a” märkimine aluse kinnitamiseks (20)
Ⓐ

5 Puurige tähistatud kohtadesse abiaugud.

Veenduge, et seina puuritavate aukude asukoht oleks piisavalt tugev, et kanda vähemalt neljakordset teleri või LCD-kuvari raskust.

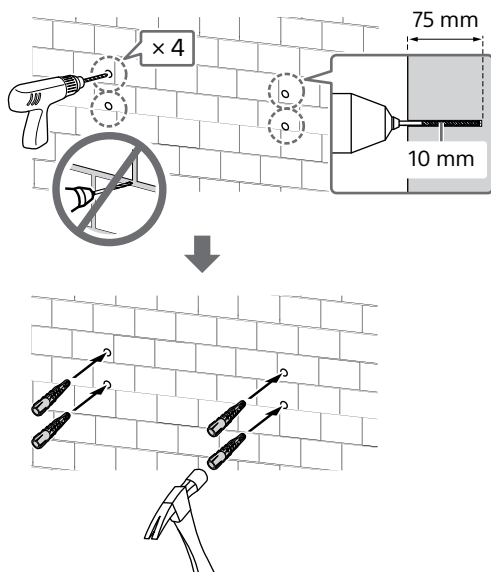
Karkassiga kipsseina puurimine:



Märkus.

- Juhtaugud tuleb puurida 75 mm sügavusele, kasutades 5,5 mm läbimõõduga puuriotsakut.

Kõva betooni või betoonploki puurimine:



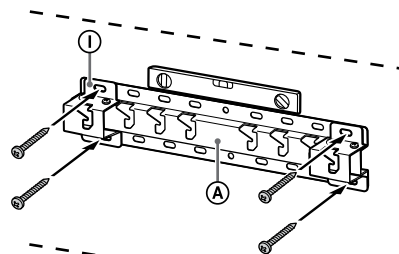
6 Paigaldage alus (20) Ⓐ sobivaid kruvisid kasutades seinale (pole komplektis).

Märkus.

- Kasutage vähemalt nelja 8 mm läbimõõduga kruvi või samaväärset (pole komplektis).
- Kontrollige loodi abil, kas alus (20) Ⓐ on loodis.

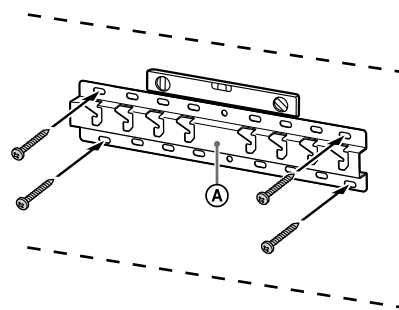
Kui valitud on standardpaigaldus (2-a):

Pange neli kruvi aluse adapteri Ⓛ aukudesse koos alusega (20) Ⓐ.



Nt, aluse (20) Ⓐ paigaldamine asukohta „a”

Kui valitud on õhuke paigaldus (2-b):



Nt, aluse (20) Ⓐ paigaldamine asukohta „a”

7 Ainult KD-85X8xL / 85X8xBL / 75X8xL / 75X8xBL, KM-85X8xL / 75X8xL, XR-85X9xL / 75X9xL, XRM-85X9xL / 75X9xL

Tähistage seinal paigalduskoht.

Aluse (20) Ⓐ või aluse adapteri Ⓛ lähedal teleri või LCD-kuvari asukohta tähistamiseks kasutage teipi vms (pole komplektis).

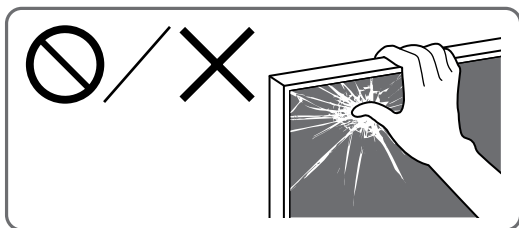
- Vt jaotist „Seina märgistus teleri või LCD-kuvari paigalduskoha jaoks” lk 20.

Välja arvatud KD-85X8xL / 85X8xBL / 75X8xL / 75X8xBL, KM-85X8xL / 75X8xL, XR-85X9xL / 75X9xL, XRM-85X9xL / 75X9xL
 Jätke see etapp vahele.

Ettevalmistus teleri või LCD-kuvari paigaldamiseks

Märkus.

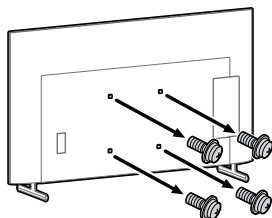
- Hoidke eemaldatud kruvisid ja kasutamata osasid kindlas lastele kättesaamatus kohas.



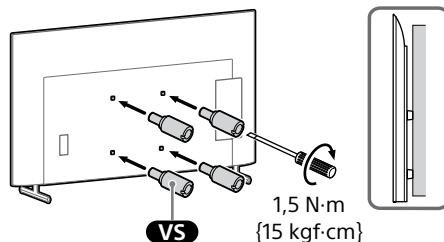
1 Kinnitage lauapealne alus, et panna teler või LCD-kuvar seisma.

- Vaadake oma teleri või LCD-kuvari seadistusjuhendit.

2 Eemaldage teleri või LCD-kuvari tagaküljelt kruvid.



3 Kinnitage seinale paigaldamise ühendus **VS** (kuulub teleri või LCD-kuvari komplekti) teleri või LCD-kuvari tagaküljele (et see püsiks seinaga paralleelne).



Märkus.

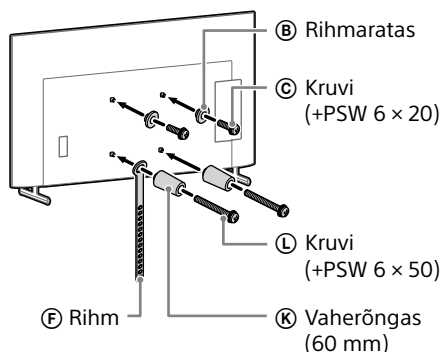
- Kinnitage seinale paigaldamise ühendus **VS** kindlalt teleri või LCD-kuvariga. Kasutage seinale paigaldamise ühenduse **VS** kinnitamiseks miinuskravikeerajat. Muu töövahendi kasutamisel võite seinale paigaldamise ühenduse **VS** kinnitamisel kasutada liiga suurt jõudu ja telerit või LCD-kuvarit kahjustada.

4 Kinnitage seinale paigaldamise kinnituse kinnitusdetailid. Kontrollige lisatarvikuid, vaadates jaotist „Komplektis SU-WL450-ga“ peatükis „Osade kontroll“ lk 6.

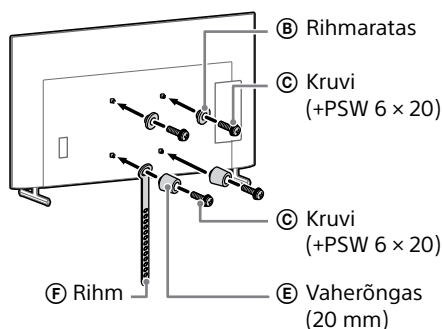
Märkus.

- Kinnitage kinnitusdetailid tugevalt kruvidega.
- Kui kasutate elektroonilist kravikeerajat, seadistage kinnitusemomendiks umbes 1,5 N·m {15 kgf·cm}.

Kui valitud on standardpaigaldus (2-a):



Kui valitud on õhuke paigaldus (2-b):



5 Ühendage vajalikud kaablid teleri või LCD-kuvariga.

Ühendage kaablid enne teleri või LCD-kuvari paigaldamist seinale. Pärast teleri või LCD-kuvari paigaldamist ei saa kaableid ühendada.

Märkus.

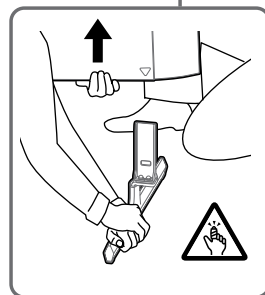
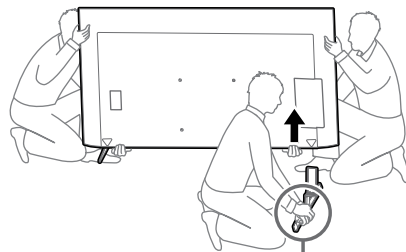
- Tellige kaablite paigutamine seinale sisse litsentsitud töövõtjalt.
- Enne seinale paigaldamist siduge ühenduskaablid kokku, et vältida neile peale astumist.

6 Eemaldage lauapealne alus telerilt või LCD-kuvarilt.

Järgmisel joonisel on näidatud toimingunäide.

Välja arvatud KD-75X85L / 65X85L / 65X85BL / 55X85L, KM-75X85L / 65X85L / 55X85L, XR-85X90L / 75X90L / 65X90L / 55X90L, XRM-85X90L / 75X90L / 65X90L / 55X90L

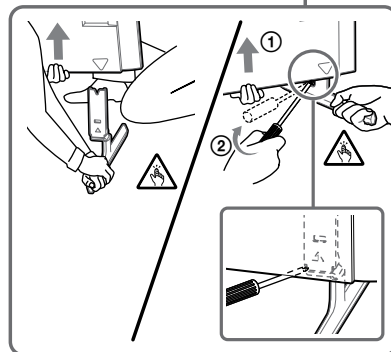
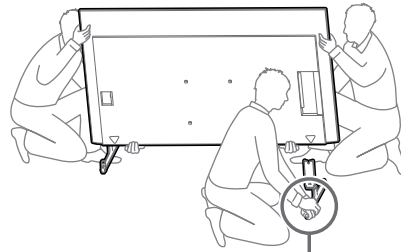
- Eemaldage korraka üks lauapealse aluse pool. Hoidke mõlema käega lauapealsest alusest kindlalt kinni, samal ajal kui keegi teine telerit või LCD-kuvarit õhku tõstab.



- Korrake eelmist etappi ja eemaldage aluse teine pool.

Ainult KD-75X85L / 65X85L / 65X85BL / 55X85L, KM-75X85L / 65X85L / 55X85L

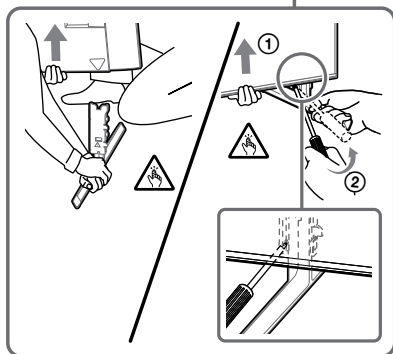
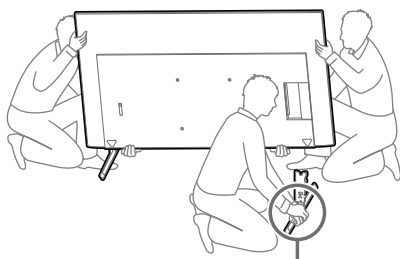
- Eemaldage korraka üks lauapealse aluse pool. Hoidke mõlema käega lauapealsest alusest kindlalt kinni, samal ajal kui keegi teine telerit või LCD-kuvarit õhku tõstab.



- Korrake eelmist etappi ja eemaldage aluse teine pool.

Ainult XR-85X90L / 75X90L / 65X90L / 55X90L, XRM-85X90L / 75X90L / 65X90L / 55X90L

- Eemaldage korraga üks lauapealse aluse pool. Hoidke mõlema käega lauapealsest alusest kindlalt kinni, samal ajal kui keegi teine telerit või LCD-kuvarit õhku tõstab.



- Korra eelmist etappi ja eemaldage aluse teine pool.

Märkus.

- Kolm või enam inimest peavad eemaldama lauapealse aluse.
- Ärge kasutage lauapealse aluse eemaldamisel telerist või LCD-kuvarist liigset jõudu, sest selle tulemusel võib teler või LCD-kuvar kukkuda ning põhjustada inimvigastusi või teleri või LCD-kuvari füüsilisi kahjustusi.
- Teleri või LCD-kuvari kahjustuste vältimiseks käsitsege lauapealset alust ettevaatlikult.
- Olge ettevaatlik, kui tõstate lauapealse aluse eemaldamisel telerit või LCD-kuvarit, kuna lauapealne alus võib ümber kukkuda ja põhjustada kehavigastusi.
- Olge ettevaatlik, kui eemaldate telerilt või LCD-kuvarilt lauapealse aluse, et see ei saaks ümber kukkuda ja kahjustada teleri või LCD-kuvari aluseks olevat pinda.

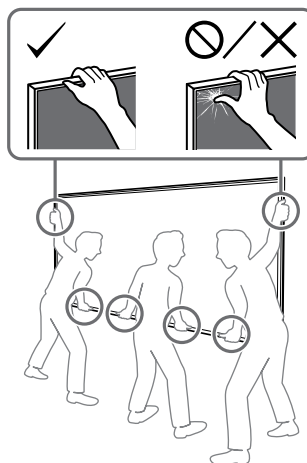
Teleri või LCD-kuvari paigaldamine seinale

Ainult KD-85X8xL / 85X8xBL / 75X8xL / 75X8xBL, KM-85X8xL / 75X8xL, XR-85X9xL / 75X9xL, XRM-85X9xL / 75X9xL

HOIATUS

- Suure teleri või LCD-kuvari transportimiseks on vaja vähemalt kahte inimest (189,3 cm (75 tolli) ja suurema teleri või LCD-kuvari korral vähemalt kolme inimest) (v.a Egiptus).

Suure teleri või LCD-kuvari transportimiseks on vaja vähemalt kahte inimest (75 tolli (189,3 cm) ja suurema teleri või LCD-kuvari korral vähemalt kolme inimest) (ainult Egiptus).



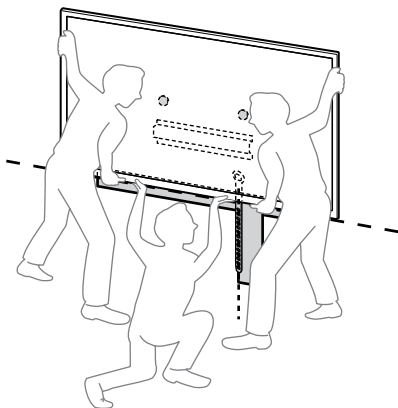
1 Tõstke teler või LCD-kuvar üles.

- Vaadake rihmarataste (B) asukohta aluse (20) (A) või aluse adapteri (1) riputamiseks jaotisest „Aluse adapteri (1) paigalduskoht“ lk 19.
- Veenduge, et teleri või LCD-kuvari hoidmisel puutuks teleri või LCD-kuvari tagakülg vastu alust (20) (A) või aluse adapterit (1).

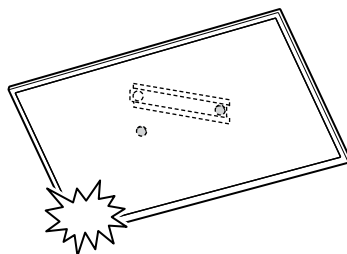
Märkus.

- Hoidke telerit või LCD-kuvarit kindlalt mõlema käega ja veenduge, et rihm (E) ja teleri või LCD-kuvari allserv oleksid teibiga joondunud.

- Kandke telerit või LCD-kuvarit kolmekesi ja teleri või LCD-kuvari ees olev inimene juhendab asendi muutmise vajaduse korral teisi.

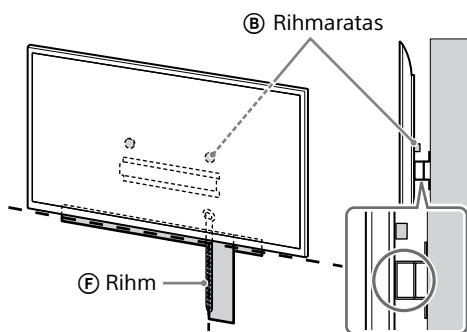


- Laske mõlema käega aeglaselt lahti, veendudes, et teler või LCD-kuvar ei kukuks.



- Pärast seinale teleri või LCD-kuvari paigaldamist eemaldage seinalt teip vms.

- Olge teleri või LCD-kuvari seinale paigaldamisel ülimalt ettevaatlik, see kehtib eriti telerit või LCD-kuvarit altpoolt toetava inimese kohta, kuna teler või LCD-kuvar võib kukkuda ja tekitada tõsisid või surmavaid kehavigastusi.

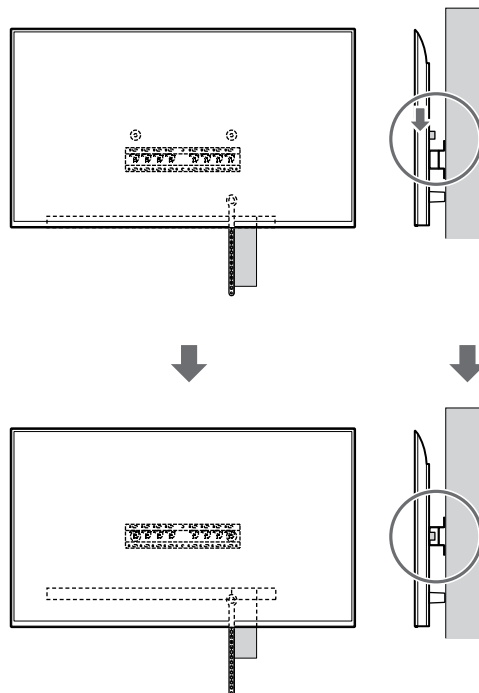
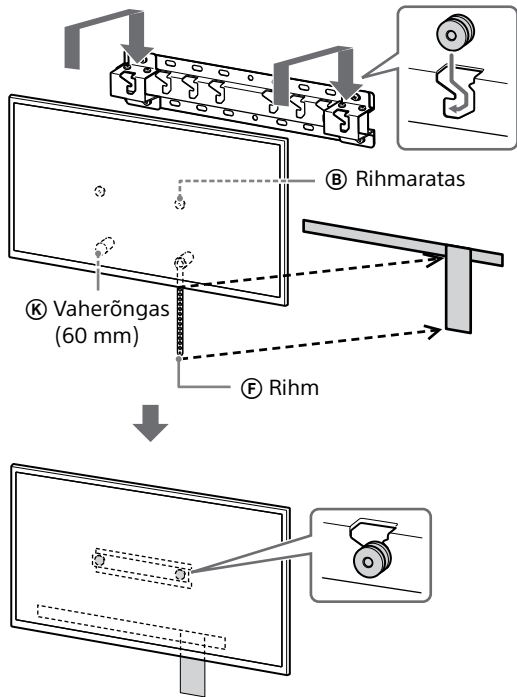


EE

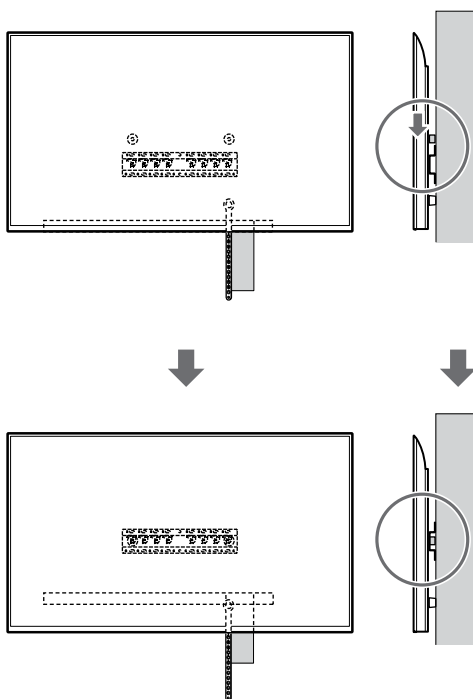
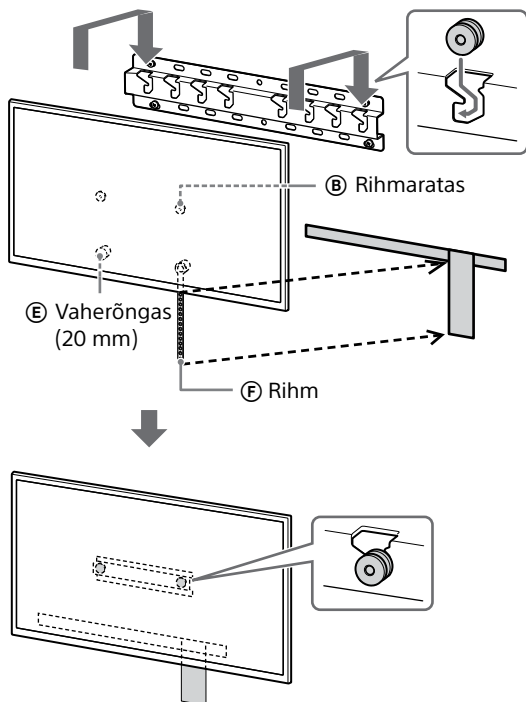
2 Paigaldage teler või LCD-kuvar alusele (20) A või aluse adapterile I.

- Langetage teler või LCD-kuvar ettevaatlikult allapoole ja riputage teleri või LCD-kuvari tagaküljele kinnitatud rihmarattad B ettevaatlikult alusele (20) A või aluse adapterile I, veendudes, et järgite aukude kuju.
- Pärast teleri või LCD-kuvari paigaldamist seinale veenduge, et rihmarattad B on tugevalt alusele (20) A või aluse adapterile I kinnitunud.

Kui valitud on standardpaigaldus (2-a):

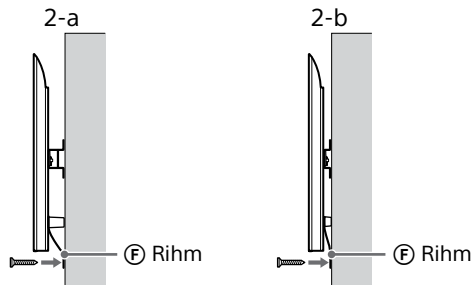


Kui valitud on õhuke paigaldus (2-b):



3 Teleri või LCD-kuvari alumise osa liikumise takistamine.

- Tõmmake rihtm (E) pingule ja kinnitage tugevalt seina külge.



- Kasutage 5 mm läbimõõduga kruvi või samaväärset (pole komplektis).

Märkus.

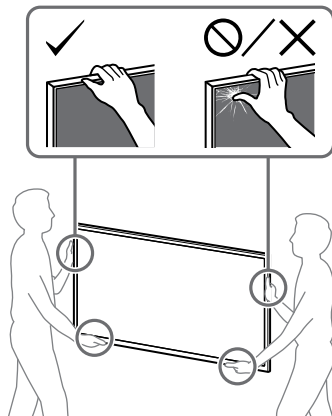
- Proovige tõmmata teleri või LCD-kuvari alaosa veidi ettepoole, veendumaks, et teler ei liigu ettepoole. Kui teler liigub ettepoole, ei ole see korralikult fikseeritud ja rihtm (E) tuleb uuesti tugevalt kinnitada.

Välja arvatud KD-85X8xL / 85X8xBL / 75X8xL / 75X8xBL, KM-85X8xL / 75X8xL, XR-85X9xL / 75X9xL, XRM-85X9xL / 75X9xL

HOIATUS

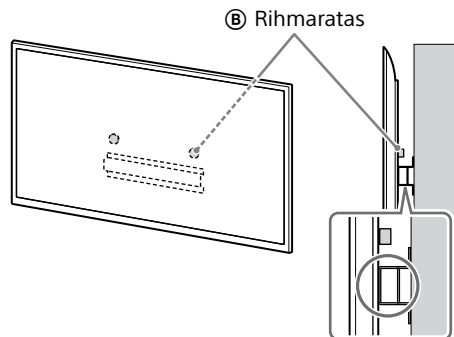
- Suure teleri või LCD-kuvari transportimiseks on vaja vähemalt kahte inimest (189,3 cm (75 tolli) ja suurema teleri või LCD-kuvari korral vähemalt kolme inimest) (v.a Egiptus).

Suure teleri või LCD-kuvari transportimiseks on vaja vähemalt kahte inimest (75 tolli (189,3 cm) ja suurema teleri või LCD-kuvari korral vähemalt kolme inimest) (ainult Egiptus).



1 Tõstke teler või LCD-kuvar üles.

- Vaadake rihmaratase (B) asukohta aluse (20) (A) või aluse adapteri (1) riputamiseks jaotisest „Aluse adapteri (1) paigalduskoht“ lk 19.
- Veenduge, et teleri või LCD-kuvari hoidmisel puutuks teleri või LCD-kuvari tagakülj vastu alust (20) (A) või aluse adapterit (1).

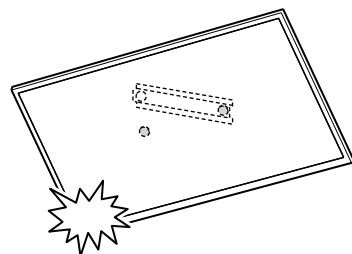


Märkus.

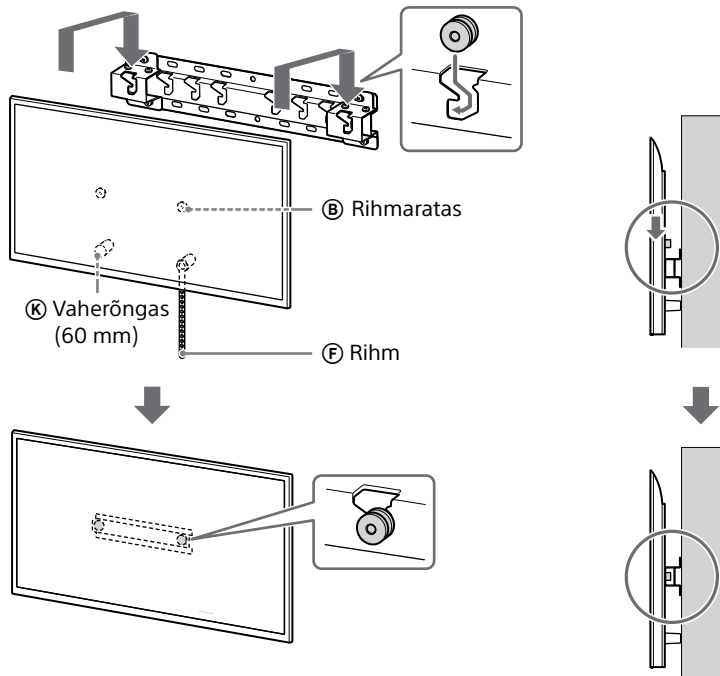
- Hoidke telerit või LCD-kuvarit kindlalt mõlema käega.

2 Paigaldage teler või LCD-kuvar alusele (20) (A) või aluse adapterile (1).

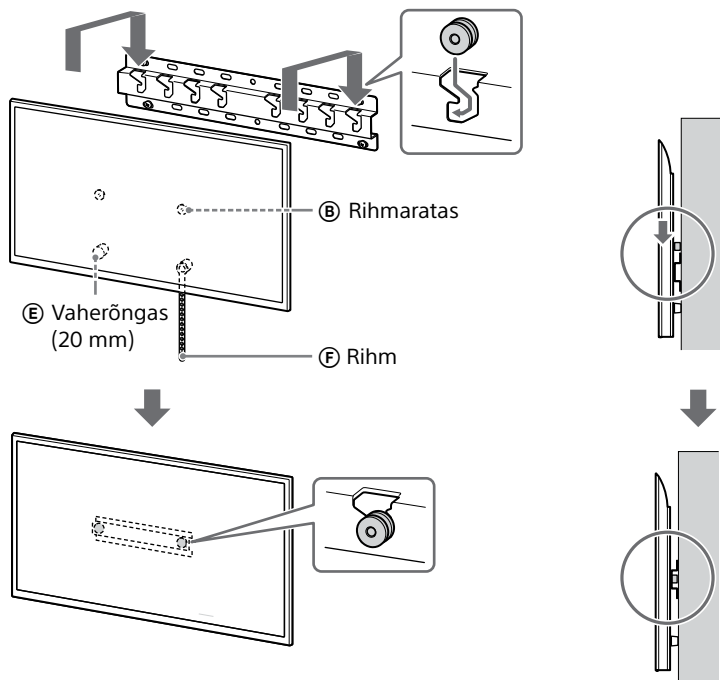
- Langetage teler või LCD-kuvar ettevaatlikult allapoole ja riputage teleri või LCD-kuvari tagaküljele kinnitatud rihmarattad (B) ettevaatlikult alusele (20) (A) või aluse adapterile (1), veendudes, et järgite aukude kuju.
- Pärast teleri või LCD-kuvari paigaldamist seinale veenduge, et rihmarattad (B) on tugevalt alusele (20) (A) või aluse adapterile (1) kinnitunud.
- Laske mõlema käega aeglaselt lahti, veendudes, et teler või LCD-kuvar ei kukuks.



Kui valitud on standardpaigaldus (2-a):

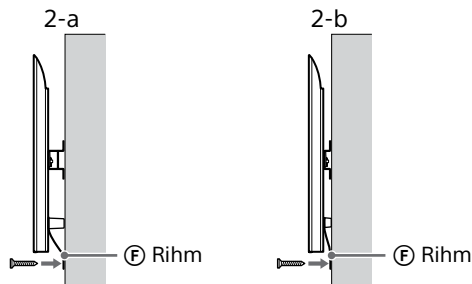


Kui valitud on õhuke paigaldus (2-b):



3 Teleri või LCD-kuvari alumise osa liikumise takistamine.

- Tõmmake rihtm (F) pingule ja kinnitage tugevalt seina külge.



- Kasutage 5 mm läbimõõduga kruvi või samaväärset (pole komplektis).

Märkus.

- Proovige tõmmata teleri või LCD-kuvari alaosa veidi ettepoole, veendumaks, et teler ei liigu ettepoole. Kui teler liigub ettepoole, ei ole see korralikult fikseeritud ja rihtm (F) tuleb uuesti tugevalt kinnitada.

Paigaldusjärgne kontroll

Kontrollige järgmist.

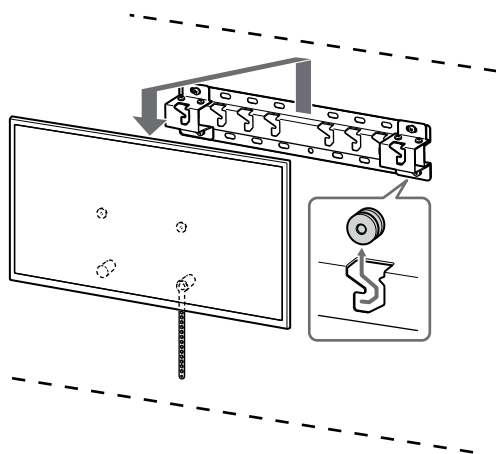
- Rihmarattad (B) on tugevalt alusele (20) (A) või aluse adapterile (1) kinnitunud.
- Toite- ja ühenduskaablid ei ole väändunud ega kokku surutud.
- Rihm (F) on korralikult pingul.

HOIATUS

- Vahelduvvoolu toitekaabli jms paigaldamine valesse kohta võib põhjustada lühise tagajärjel elektrilöögi või tulekahju. Teostage paigaldusjärgne kontroll, et tagada ohutus.

Muu teave

Teleri või LCD-kuvari seinalt eemaldamisel järgige eelpool kirjeldatud paigaldustoimingut vastupidises järjekorras.

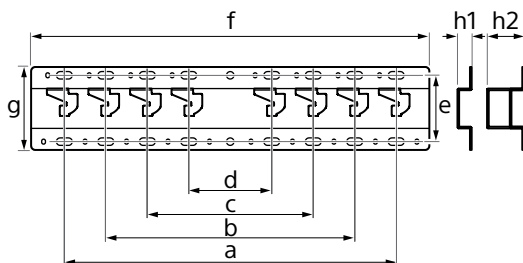


HOIATUS

- Suure teleri või LCD-kuvari transportimiseks on vaja vähemalt kahte inimest (189,3 cm (75 tolli) ja suurema teleri või LCD-kuvari korral vähemalt kolme inimest) (v.a Egiptus).
Suure teleri või LCD-kuvari transportimiseks on vaja vähemalt kahte inimest (75 tolli (189,3 cm) ja suurema teleri või LCD-kuvari korral vähemalt kolme inimest) (ainult Egiptus).

EE

Tehnilised andmed



Mõõtmed: (umbes) [mm]

- a : 400
- b : 300
- c : 200
- d : 100
- e : 80
- f : 480
- g : 100

- h1 : 20 (õhukese paigalduse jaoks, 2-b)
- h2 : 60 (standardpaigalduse jaoks, 2-a)

Mass (ainult alus): (umbes) [kg]

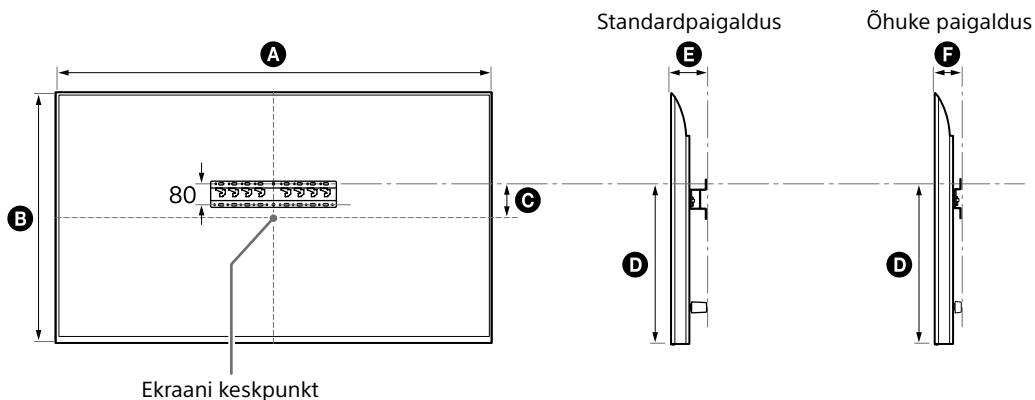
0,8

Disaini ja tehnilisi andmeid võidakse muuta ilma etteteatamata.

Viited

Seinale paigaldamise kinnituse seinale paigaldamise mõõtmed

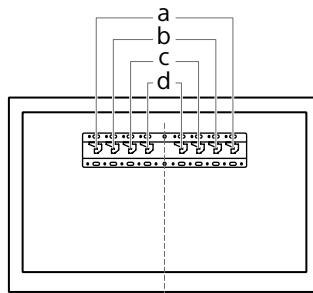
Sõltuvalt paigaldusest võivad tabelis olevad arvud vähesel määral erineda.



(mm)

Mudeli nimi	A	B	C	D	E	F
KD-85X81BL / 85X80L KM-85X80L	1901	1090	43	592	138	96
XR-85X90L XRM-85X90L	1891	1085	58	607	125	83
KD-75X85L KM-75X85L	1671	960	21	508	123	81
KD-75X81BL / 75X80L KM-75X80L	1675	962	12	493	137	95
XR-75X90L XRM-75X90L	1668	959	21	508	123	81
KD-65X85L / 65X85BL KM-65X85L	1447	832	85	505	123	81
KD-65X81BL / 65X80L KM-65X80L	1452	836	76	494	135	93
XR-65X90L XRM-65X90L	1445	831	85	505	123	81
KD-55X85L KM-55X85L	1228	709	146	505	122	81
KD-55X81BL / 55X80L KM-55X80L	1233	713	133	494	135	93
XR-55X90L XRM-55X90L	1225	707	146	505	122	81
KD-50X80L KM-50X80L	1119	649	63	392	133	91
KD-43X80L KM-43X80L	964	563	111	392	133	91

Aluse adapteri ⓘ paigalduskoht

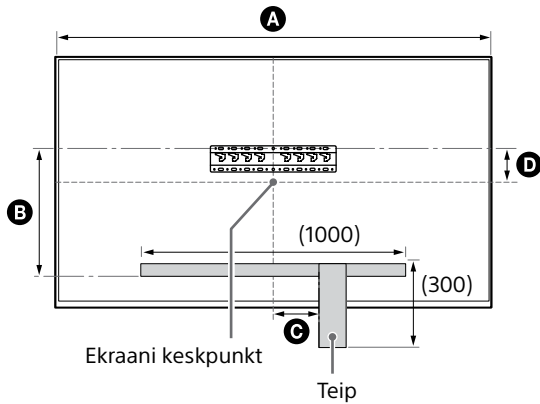


Mudeli nimi	Konksu asukoht
KD-85X81BL / 85X80L KM-85X80L XR-85X90L XRM-85X90L	a
KD-75X85L / 75X81BL / 75X80L KM-75X85L / 75X80L XR-75X90L XRM-75X90L	b
KD-65X85L / 65X85BL / 65X81BL / 65X80L KM-65X85L / 65X80L XR-65X90L XRM-65X90L	b

Mudeli nimi	Konksu asukoht
KD-55X85L / 55X81BL / 55X80L KM-55X85L / 55X80L XR-55X90L XRM-55X90L	b
KD-50X80L KM-50X80L	c
KD-43X80L KM-43X80L	c

EE

Seina märgistus teleri või LCD-kuvari paigalduskoha jaoks



(mm)

Mudeli nimi	A	B	C	D
KD-85X81BL / 85X80L KM-85X80L	1901	472	200	43
XR-85X90L XRM-85X90L	1891	486	200	58
KD-75X85L KM-75X85L	1671	388	150	21
KD-75X81BL / 75X80L KM-75X80L	1675	373	150	12
XR-75X90L XRM-75X90L	1668	388	150	21

Uzstādīšanas informācija par "Sony" kronšteina montāžai pie sienas (SU-WL450) izmantošanu

Atbalstītie modeļi*:

* Piedāvāto modeļu nosaukumos "x"/"xx" norāda katram modelim unikālus skaitļus un/vai rakstzīmes.

KD-85X8xL / 85X8xBL / 75X8xL / 75X8xBL / 65X8xL / 65X8xBL / 55X8xL / 55X8xBL / 50X8xL / 43X8xL

KM-85X8xL / 75X8xL / 65X8xL / 55X8xL / 50X8xL / 43X8xL

XR-85X9xL / 75X9xL / 65X9xL / 55X9xL

RRM-85X9xL / 75X9xL / 65X9xL / 55X9xL

Informācija klientiem

Izstrādājuma aizsardzības un drošības apsvērumu dēļ "Sony" iesaka televizoru vai LCD monitoru uzstādīšanu uzticēt "Sony" izplatītājiem vai licencētiem uzņēmējiem. Nemēģiniet to uzstādīt saviem spēkiem.

"Sony" izplatītājiem un darbu izpildītājiem

Uzstādīšanas un arī periodisko apkopju un pārbaužu laikā pievērsiet lielu uzmanību drošībai.

Šī izstrādājuma uzstādīšanai ir nepieciešamas atbilstošas zināšanas, it īpaši, lai noteiktu, vai siena spēs izturēt televizora vai LCD monitora svaru. Izstrādājuma piestiprināšanu pie sienas uzticiet "Sony" izplatītājiem vai licencētiem darbu uzņēmējiem un uzstādīšanas laikā pievērsiet uzmanību drošībai. "Sony" neuzņemsies atbildību par materiāliem zaudējumiem vai traumām, kas radušās nepareizas rīkošanās vai nepareizas uzstādīšanas dēļ.

Lai uzstādīšana būtu droša un pareiza, ievērojiet kronšteina montāžai pie sienas darbību norādījumus, kā arī televizora vai LCD monitora uzsākšanas ceļvedī un šajā rokasgrāmatā sniegtos norādījumus.

Kronšteins montāžai pie sienas

Drošība

Pateicamies, ka iegādājāties šo izstrādājumu.

Informācija klientiem

Televizora vai LCD monitora uzstādīšana pie sienas



BRĪDINĀJUMS!

JĀUZSTĀDA PROFESIONĀLAM MONTIERIM

Šo izstrādājumu ir atļauts uzstādīt tikai profesionālam montierim, kurš spēj noteikt, vai izvēlētā siena spēs noturēt televizora vai LCD monitora svaru. Ja montāžas laikā televizors vai LCD monitors netiek pienācīgi nostiprināts, tas var nokrist un radīt nopietnas traumas. "Sony" neuzņemas atbildību par jebkādiem zaudējumiem vai traumām, kas radušās nepareizas apiešanās vai montāžas rezultātā, vai ja montāžai nav izmantots "Sony" apstiprināts ražojums. Jūsu likumīgās tiesības (ja tādas attiecināmas) paliek spēkā.

Informācija "Sony" izplatītājiem

Lai uzstādītu šo izstrādājumu, vajadzīgas atbilstīgas prasmes. Lai varētu droši uzstādīt izstrādājumu, noteikti izlasiet šo lietošanas rokasgrāmatu. "Sony" neuzņemas atbildību par bojājumiem vai traumām, kas rodas, ja izstrādājums netiek izmantots vai uzstādīts pareizi. Pēc izstrādājuma uzstādīšanas nododiet šo rokasgrāmatu klientam.

Šajā lietošanas rokasgrāmatā paskaidrots, kā pareizi apieties ar izstrādājumu un kas jāņem vērā, lai izvairītos no negadījumiem. Jums ir noteikti pilnīgi jāizlasa, jāizprot un jāievēro visas šajā lietošanas rokasgrāmatā sniegtās norādes. Pretējā gadījumā jūs riskējat gūt nopietnas traumas, sabojāt ierīci, un garantija var tikt atcelta. Saglabājiet šo rokasgrāmatu, lai vajadzības gadījumā varētu to pārskatīt.

Visi "Sony" izstrādājumi ir radīti, domājot par drošību. Taču, ja izstrādājums tiek izmantots nepareizi, jūs varat gūt nopietnas traumas, kuras rada uguns, strāvas trieciens un ierīces apgāšanās vai nokrišana. Noteikti ievērojiet drošības norādes, lai izvairītos no šādiem negadījumiem.

UZMANĪBU!

Specializēti izstrādājumi

Šo kronšteinu montāžai pie sienas paredzēts lietot ar noteiktiem televizoriem vai LCD monitoriem. Lai noskaidrotu iespējas izmantot kronšteinu montāžai pie sienas, skatiet šā televizora vai LCD monitora atsauces ceļvedi.

Informācija klientiem

BRĪDINĀJUMS!

Neievērojot tālākās norādes, var gūt smagas vai nāvējošas traumas aizdegšanās, strāvas triecienu vai ierīces nokrišanas rezultātā.

Uzticiet uzstādīšanu licencētiem līgumstrādniekiem un raugieties, lai uzstādīšanas laikā tuvumā neatrastos mazi bērni.

Ja kronšteins montāžai pie sienas vai televizors vai LCD monitors nav uzstādīts pareizi, var notikt tālāk minētie negadījumi. Uzstādīšanu noteikti uzticiet licencētiem līgumstrādniekiem.

- Televizors vai LCD monitors var nokrist un radīt jums nopietnas traumas, piemēram, nobrāzumus vai lūzumus.
- Ja siena, pie kuras piestiprināts kronšteins montāžai pie sienas, ir nestabila, nelīdzena vai tā nav perpendikulāra attiecībā pret grīdu, ierīce var nokrist un radīt traumas vai sabojāt ierīci. Sienai jāspēj noturēt svaru, kas ir vismaz četras reizes lielāks par televizora vai LCD monitora svaru. (Sava televizora vai LCD monitora svaru skatiet televizora vai LCD monitora atsauces ceļvedi.)
- Ja kronšteins montāžai pie sienas nav pienācīgi piestiprināts, konstrukcija var nokrist un radīt traumas vai sabojāt ierīci.

Televizora vai LCD monitora pārvietošanu vai noņemšanu no kronšteina noteikti uzticiet licencētiem līgumstrādniekiem.

Ja televizoru vai LCD monitoru pārvieto vai noņem nelicencētas personas, tas var nokrist un radīt traumas vai materiālus zaudējumus. Liela televizora vai LCD monitora pārvietošana jāveic diviem vai vairāk cilvēkiem (ja televizora vai LCD monitora diagonāle ir 189,3 cm (75 collas) vai vairāk — trim vai vairāk cilvēkiem) (izņemot Ēģipti). Liela televizora vai LCD monitora pārvietošana jāveic diviem vai vairāk cilvēkiem (ja televizora vai LCD monitora diagonāle ir 75 collas (189,3 cm) vai vairāk — trim vai vairāk cilvēkiem) (tikai Ēģipte).

Kad televizors vai LCD monitors ir piestiprināts pie kronšteina, neizskrūvējiet skrūves u. c.

Pretējā gadījumā televizors vai LCD monitors var nokrist un radīt traumas vai materiālus zaudējumus.

Nepārveidojiet kronšteina montāžai pie sienas detaļas.

Pretējā gadījumā kronšteins montāžai pie sienas var nokrist un radīt traumas vai sabojāt ierīci.

Pie kronšteina piestipriniet tikai tam paredzētas ierīces.

Šo kronšteinu montāžai pie sienas paredzēts lietot tikai ar norādīto izstrādājumu. Uzstādot neapstiprinātas ierīces, tās var nokrist vai salūzt un radīt jums traumas vai materiālus zaudējumus.

Kronšteinu montāžai pie sienas nenoslogojiet ne ar ko citu, kā tikai ar televizoru vai LCD monitoru.

Nekratieliet televizoru vai LCD monitoru pa kreisi/ labi, uz augšu/leju.

Pretējā gadījumā televizors vai LCD monitors var nokrist un radīt traumas vai materiālus zaudējumus.

Neatspiedieties pret televizoru vai LCD monitoru vai nekarājieties pie tā.

Neatspiedieties pret televizoru vai LCD monitoru vai nekarājieties pie tā, jo tas var uzkrīst jums virsū un radīt nopietnas traumas.

UZMANĪBU!

Neievērojot tālāk norādītās instrukcijas, jums var rasties traumas vai materiāli zaudējumi.

- Neizmantojiet detaļas noglabājiet drošā vietā turpmākai lietošanai. Uzglabājiet tās bērniem nepieejamā vietā.

Tirot vai veicot apkopi, nepielietojiet pārāk daudz spēka.

Darbojoties ar televizora vai LCD monitora augšpusi, nepielietojiet pārāk daudz spēka. Pretējā gadījumā televizors vai LCD monitors var nokrist un radīt traumas vai materiālus zaudējumus.

Noderīga informācija

- Ja televizors vai LCD monitors uz kronšteina montāžai pie sienas ir piestiprināts uz ilgu laiku, siena aiz vai virs televizora vai LCD monitora atkarībā no sienas materiāla var iekrāsoties citā krāsā, vai arī var atļimēties tapetes.
- Kad kronšteins montāžai pie sienas tiek noņemts, sienā paliek skrūvju caurumi.

LV

- Nelietojiet kronšteinu montāžai pie sienas vietās, kur uz to var iedarboties mehāniskas vibrācijas.

Kronšteina montāžai pie sienas uzstādīšana

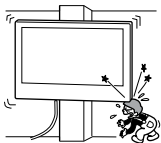
Informācija "Sony" izplatītājiem

BRĪDINĀJUMS!

Tālākās instrukcijas paredzētas tikai "Sony" izplatītājiem. Noteikti izlasiet iepriekš norādīto drošības informāciju un ievērojiet drošību, kad uzstādāt, apkopjat vai pārbaudāt šo izstrādājumu.

Neuzstādiet kronšteinu montāžai pie sienas vietās, kur televizora vai LCD monitora stūri vai sāni pēc tam būs izvirzīti no uzstādīšanas virsmas.

Neuzstādiet kronšteinu montāžai pie sienas vietās, kur televizora vai LCD monitora stūri vai sāni pēc tam būs izvirzīti no uzstādīšanas virsmas, piemēram, pie kolonnas. Ja cilvēks vai priekšmets uzgrūds izvirzītam televizora vai LCD monitora sānam vai stūrim, var rasties traumas vai materiāli zaudējumi.

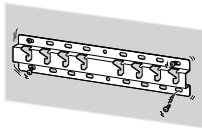


Neuzstādiet televizoru vai LCD monitoru virs vai zem gaisa kondicionētāja.

Ja uz televizora vai LCD monitora nonāk ūdens vai uz to ilgstoši tiek pūsta gaisa plūsma no kondicionētāja, var rasties aizdegšanās vai strāvas trieciena risks vai televizors vai LCD monitors var sākt darboties nepareizi.

Kronšteinu montāžai pie sienas noteikti uzstādiet pareizi un ievērojiet šajā lietošanas rokasgrāmatā sniegtās norādes.

Ja kāda no skrūvēm ir vajīga vai izkritusi, kronšteins montāžai pie sienas var nokrist un radīt traumas vai sabojāt īpašumu. Noteikti izmantojiet sienas materiālam atbilstīgas skrūves un pareizi uzstādiet izstrādājumu, izmantojot četras vai vairāk 8 mm diametra skrūves (vai līdzvērtīgas).



Piegādātās skrūves un stiprinājuma detaļas izmantojiet pareizi, kā norādīts šajā lietošanas rokasgrāmatā. Izmantojot citas detaļas, televizors vai LCD monitors var nokrist un tikt bojāts vai radīt traumas.

Kronšteinu samontējiet, ievērojot lietošanas rokasgrāmatā norādīto procesu.

Ja kāda no skrūvēm ir vajīga vai izkritusi, televizors vai LCD monitors var nokrist un tikt bojāts vai arī radīt traumas.

Kārtīgi pievelciet skrūves paredzētajās vietās.

Pretējā gadījumā televizors vai LCD monitors var nokrist un tikt bojāts vai arī radīt traumas citiem.

Uzstādot televizoru vai LCD monitoru, nepakļaujiet to triecieniem.

Ja televizors vai LCD monitors tiek pakļauts triecienam, tas var nokrist vai salūzt. Tas var radīt traumas.

Televizoru vai LCD monitoru uzstādiet uz sienas, kas ir gan perpendikulāra attiecībā pret grīdu, gan līdzena.

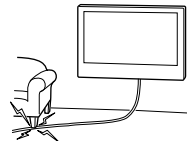
Pretējā gadījumā televizors vai LCD monitors var nokrist un radīt traumas.

Kad televizors vai LCD monitors ir uzstādīts, cieši nostipriniet vadus.

Ja cilvēki vai priekšmeti sapīsies vadus, tas var radīt traumas cilvēkiem vai bojāt televizoru vai LCD monitoru.

Nesaspiediet maiņstrāvas vadu vai savienojuma kabeli.

Ja maiņstrāvas vads vai savienojuma kabelis ir iespiests starp kronšteinu un sienu vai ar spēku tiek locīts vai vērpts, iekšējie vadi var atstāties un radīt īssavienojumu vai strāvas caursiti. Tas var izraisīt aizdegšanos vai strāvas triecienu.



Skrūves kronšteina montāžai pie sienas piestiprināšanai pie sienas nav iekļautas komplektā.

Piestiprinot kronšteinu montāžai pie sienas, izmantojiet skrūves, kas piemērotas sienas materiālam un uzbūvei.

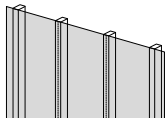
Pirms darba uzsākšanas

- Šajā rokasgrāmatā parādīto televizora vai LCD monitora attēlu uzdevums ir sniegt skaidrus un saprotamus paskaidrojumus par to darbību. Šī iemesla dēļ ilustrācijas var atšķirties no jūsu faktiskā televizora vai LCD monitora.

No kāda materiāla ir veidota siena?

Pirmkārt, pārbaudiet, no kāda materiāla ir siena, kur vēlaties piestiprināt televizoru vai LCD monitoru.

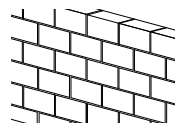
Rīģipša siena ar profiliem



Noderīga informācija

- Maksimālais rīģipša sienas biezums: 16 mm.
- Pārliedzieties, ka iekšējais koka profila izmērs ir vismaz 51 mm × 102 mm vispārīgos gadījumos vai 38 mm × 89 mm nomināli.

Liets betons vai betona bloki



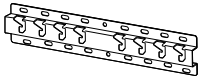







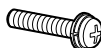
Noderīga informācija

- Uzstādiet kronšteinu montāžai pie sienas tieši pie lietā betona sienas.
- Pārliedzieties, ka lietā betona sienas biezums ir vismaz 203 mm.
- Pārliedzieties, ka atsevišķo betona bloku izmērs ir vismaz 203 mm × 203 mm × 406 mm.






Detaju pārbaude

Komplektā ar SU-WL450


- Pārbaudiet, vai iekļautas visas detaļas.

<p>Ⓐ Pamatne (20) (x1)</p> 	<p>Ⓑ Trīsis (x2)</p> 	<p>Ⓒ Skrūve (+PSW 6 x 20) (x4)</p> 	<p>Ⓔ Starplika (20 mm) (x2)</p> 
<p>Ⓕ Saite (x1)</p> 	<p>Ⓘ Pamatnes adapteris (x2)</p> 	<p>Ⓙ Skrūve (+PSW 4 x 10) (x8)</p> 	<p>Ⓚ Starplika (60 mm) (x2)</p> 
<p>Ⓛ Skrūve (+PSW 6 x 50) (x2)</p> 			

- Šīs daļas var netikt izmantotas jūsu modelim.

<p>ⓓ Skrūve (+PSW 4 x 20) ar buksi (x2)</p> 	<p>Ⓦ Bukse (20) (M4) (x2)</p> 	<p>ⓓ Skrūve (+PSW 4 x 20) (x2)</p> 	<p>ⓓ Bukse (M4) (x2)</p> 
<p>Ⓝ Skrūve (+PSW 4 x 50) (x2)</p> 			



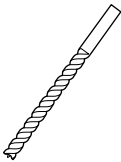
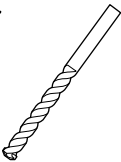

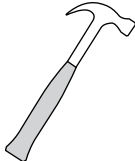
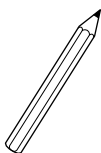
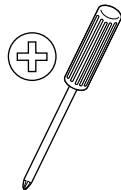
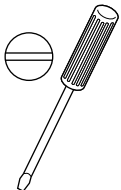
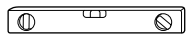




Komplektā ar televizoru vai LCD monitoru

<p>Stiprinājums montāžai pie sienas VS (x4)*</p> 

- * Tikai dažiem reģioniem/valstīm/modeliem.

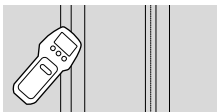
Sagatavošanās uzstādīšanai

- Pirms uzstādīšanas sagatavojiet televizora vai LCD monitora atsauces ceļvedi un uzsākšanas ceļvedi.
- Pārbaudiet televizora vai LCD monitora uzstādīšanas pozīciju.
- Sagatavojiet četras vai vairāk 8 mm diametra skrūves un vienu 5 mm diametra skrūvi vai līdzvērtīgas (nav iekļautas komplektā). Izvēlieties skrūves, kas piemērotas sienas materiālam.
- Sagatavojiet šādus instrumentus:

*1 		 5,5 mm	 10 mm	
*2 		 1,5 N·m {15 kgf·cm}	*3  1,5 N·m {15 kgf·cm}	
	*2  (×4)	 (×4) 8 mm × 60 mm	 5 mm	
*4 				

LV

*1 Tikai rīgpša sienām ar profiliem



*2 Tikai lietam betonam vai betona blokam

*3 Atkarībā no modeļa

*4 Tikai televizoriem vai LCD monitoriem ar ekrāna diagonāli 189,3 cm (75 collas) un vairāk (izņemot Ēģipti)

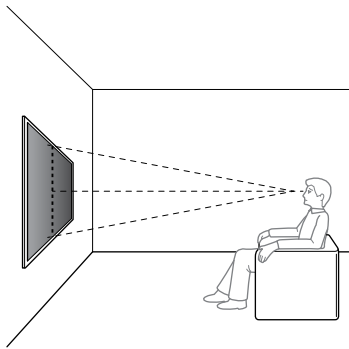
Tikai televizoriem vai LCD monitoriem ar ekrāna diagonāli 75 collas (189,3 cm) un vairāk (tikai Ēģipte)

Kronšteina montāžai pie sienas uzstādīšana

1 Izvēlieties uzstādīšanas vietu. Pārbaudiet, vai siena ir pietiekami liela un spēj noturēt svaru, kas vienāds ar četrkāršu televizora vai LCD monitora svaru. Televizora vai LCD monitora svaru skatiet televizora vai LCD monitora atsauces ceļvedī.

Piezīme

- Pēc televizora vai LCD monitora uzstādīšanas pie sienas tā augšējā daļa nedaudz sasveras uz priekšu.
- Mēs iesakām pārbaudīt televizora vai LCD monitora novietojumu paredzētajā skatīšanās vidē.



2 Izvēlieties vienu no tālāk parādītajiem sienas stiprinājuma veidiem.

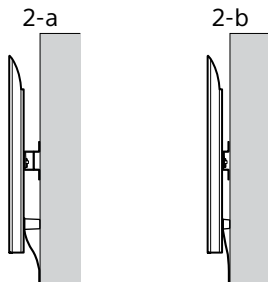
2-a: Parastā montāža

2-b: Kompaktā montāža

- Skatīt "Kronšteina montāžai pie sienas uzstādīšanas izmēri" 18. lpp.

BRĪDINĀJUMS!

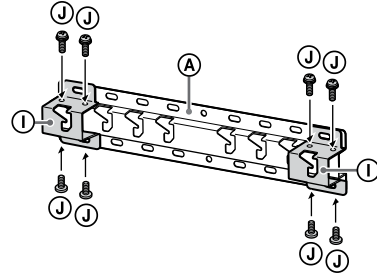
- Ja atlasīta 2-b. iespēja, būs ierobežota piekļuve aizmugures ligzdām.



3 Ja ir atlasīta parastā montāža (2-a):

Piestipriniet pamatnes adapteri ①, izmantojot skrūvi (+PSW 4 x 10) ② uz pamatnes (20) ③.

- Skatīt "Pamatnes adaptera ① uzstādīšanas vieta" 19. lpp.



Piem., pamatnes adaptera ① uzstādīšana vietā "a"

Ja ir atlasīta kompaktā montāža (2-b):

Izlaidiet šo darbību.

4 Izvēlieties, kurās vietās skrūvēsit skrūves, lai piestiprinātu pamatni (20) ③.

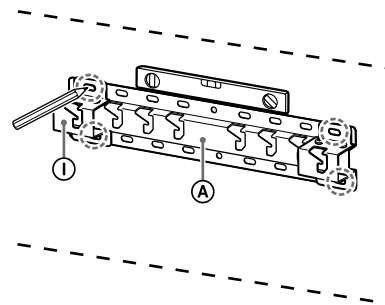
- Skatīt "Specifikācijas" 17. lpp.

BRĪDINĀJUMS!

- Nosakiet tās sienas izturību, pie kuras stiprināsiet televizoru vai LCD monitoru. Ja vajadzīgs, pastipriniet sienu.
- Sienai, pie kuras stiprināsiet televizoru vai LCD monitoru, jāspēj noturēt svaru, kas vismaz **četras reizes** pārsniedz televizora vai LCD monitora svaru. (Sava televizora vai LCD monitora svaru skatiet televizora vai LCD monitora atsauces ceļvedī.)

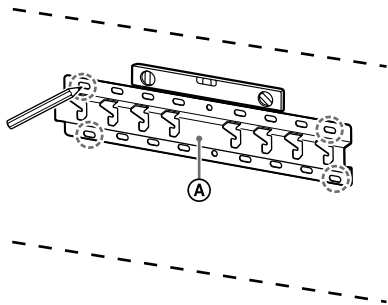
Ja ir atlasīta parastā montāža (2-a):

Izmantojiet pamatnes adaptera ① atveru pozīcijas.



Piem., novietojuma atzīmēšana vietā "a", lai tas atbilstu pamatnei (20) ③

Ja ir atlasīta kompakta montāža (2-b):

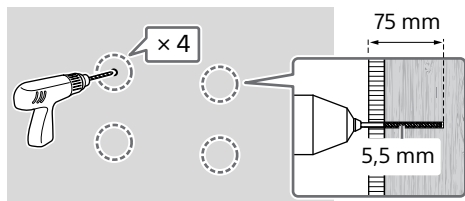


Piem., novietojuma atzīmēšana vietā "a", lai tas atbilstu pamatnei (20) Ⓐ

5 Atzīmju vietās izurbiet caurumus.

Pārliecinieties, ka vieta uz sienas, kur tiks urbtas atveres, ir pietiekami izturīga, lai spētu izturēt vismaz četrcārtīgu televizora vai LCD monitora svaru.

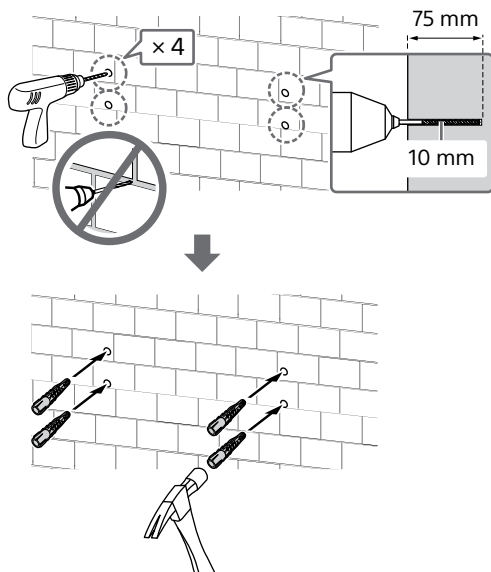
Rīgipša sienas urbšana ar profiliem:



Piezīme

- Palīgurbumi jāveic 75 mm dziļumā, izmantojot 5,5 mm diametra urbi.

Lieta betona vai betona bloku sienas urbšana:



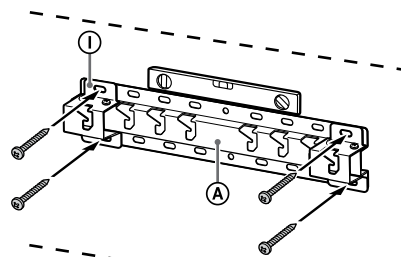
6 Piestipriniet pamatni (20) Ⓐ pie sienas, izmantojot piemērotas skrūves (nav iekļautas komplektā).

Piezīme

- Izmantojiet četras vai vairāk 8 mm diametra skrūves vai līdzvērtīgas (nav iekļautas komplektā).
- Izmantojiet līmeņrādi, lai pārliecinātos, ka pamatne (20) Ⓐ ir nolīmeņota.

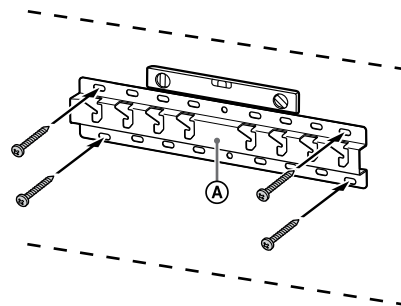
Ja ir atlasīta parastā montāža (2-a):

leskrūvējiet četras skrūves pamatnes adaptera ① atverēs, ar pamatni (20) Ⓐ.



Piem., pamatnes (20) Ⓐ uzstādīšana vietā "a"

Ja ir atlasīta kompakta montāža (2-b):



Piem., pamatnes (20) Ⓐ uzstādīšana vietā "a"

7 Tikai modeļiem KD-85X8xL / 85X8xBL / 75X8xL / 75X8xBL, KM-85X8xL / 75X8xL, XR-85X9xL / 75X9xL, XRM-85X9xL / 75X9xL

Atzīmējiet uzstādīšanas vietu uz sienas.

Izmantojiet krāsotāju līmlenti vai citu materiālu (nav iekļauts komplektācijā), lai atzīmētu televizora vai LCD monitora atrašanās vietu pie pamatnes (20) Ⓐ vai pamatnes adaptera ①.

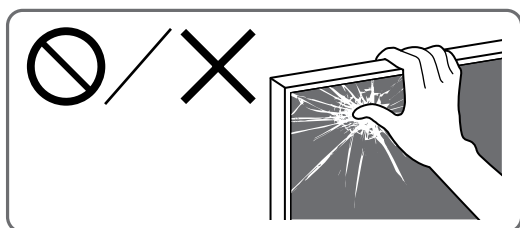
- Skatīt "Televizors vai LCD monitora uzstādīšanas vietas atzīmēšana uz sienas" 20. lpp.

Izņemot modeļiem KD-85X8xL / 85X8xBL / 75X8xL / 75X8xBL, KM-85X8xL / 75X8xL, XR-85X9xL / 75X9xL, XRM-85X9xL / 75X9xL
Izlaidiet šo darbību.

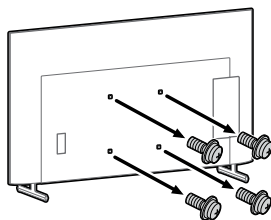
Sagatavošanās televizora vai LCD monitora uzstādīšanai

Piezīme

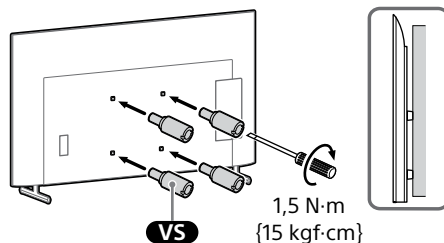
- Izskrūvētās skrūves un neizmantotās daļas noteikti uzglabājiet drošā, bērniem nepieejamā vietā.



- Piestipriniet galda statīvu, lai televizoru vai LCD monitoru novietotu vertikāli.
 - Skatiet jūsu televizora vai LCD monitora uzstādīšanas ceļvedi.
- Izskrūvējiet televizora vai LCD monitora aizmugurē esošās skrūves.



- Pievienojiet stiprinājumu montāžai pie sienas **VS** (ietilpst televizora vai LCD monitora komplektā) televizora vai LCD monitora aizmugurē (lai tas atrastos paralēli sienai).



Piezīme

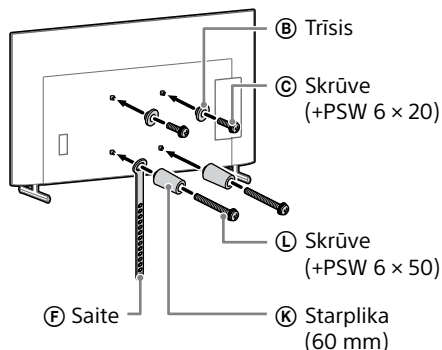
- Pārlicinieties, vai stiprinājums montāžai pie sienas **VS** ir rūpīgi piestiprināts televizoram vai LCD monitoram. Lai pievienotu stiprinājumu montāžai pie sienas **VS**, izmantojiet tikai plakano skrūvgriezi. Izmantojot citu instrumentu, iespējams pārmērīgi pievilkt stiprinājumu montāžai pie sienas **VS** un sabojāt televizoru vai LCD monitoru.

- Piestipriniet kronšteina montāžai pie sienas stiprinājuma elementus. Pārbaudiet uzkabes daļas, skatot "Komplektā ar SU-WL450" sadaļā "Detalju pārbaude" 6. lpp.

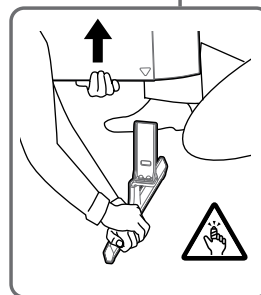
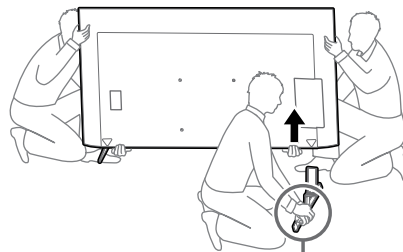
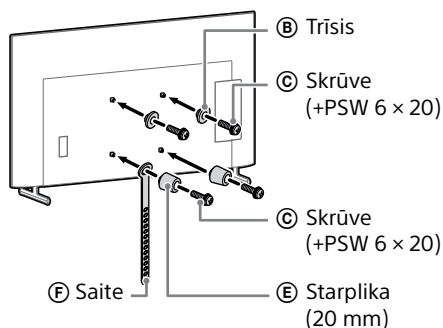
Piezīme

- Cieši pieskrūvējiet stiprinājuma elementus.
- Ja tiek izmantots elektriskais skrūvgriezis, iestatiet griezes momentu uz apm. 1,5 N·m {15 kgf·cm}.

Ja ir atlasīta parastā montāža (2-a):



Ja ir atlasīta kompaktā montāža (2-b):



- Atkārtojiet iepriekšējo darbību un noņemiet galda statīva otru pusi.

Tikai modeļiem KD-75X85L / 65X85L / 65X85BL / 55X85L, KM-75X85L / 65X85L / 55X85L

- Noņemiet galda statīva puses pa vienai. Stingri turiet galda statīvu ar abām rokām, kamēr palīgi paceļ televizoru vai LCD monitoru.

5 Iespraudiet televizorā vai LCD monitorā vajadzīgo(-os) kabeli (-ļus).

Pirms piestiprināt televizoru vai LCD monitoru pie sienas, noteikti savienojiet kabelus. Kad televizors vai LCD monitors jau būs uzstādīts, kabelus nebūs iespējams savienot.

Piezīme

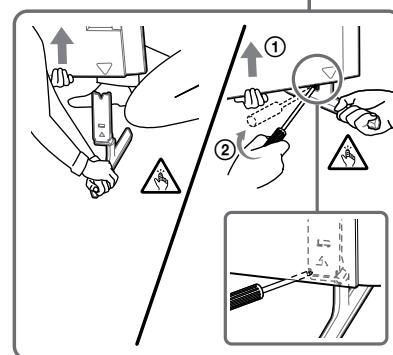
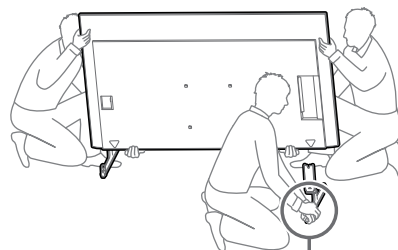
- Kabeļa vilkšanu cauri sienai uzticiet licencētam speciālistam.
- Sasaistiet savienojošos kabelus, lai nepieļautu iespēju uz tiem uzkāpt pirms montāžas pie sienas.

6 Atvienojiet no televizora vai LCD monitora galda statīvu.

Nākamajā ilustrācijā parādīts veicamās darbības piemērs.

Izņemot modeļiem KD-75X85L / 65X85L / 65X85BL / 55X85L, KM-75X85L / 65X85L / 55X85L, XR-85X90L / 75X90L / 65X90L / 55X90L, XRM-85X90L / 75X90L / 65X90L / 55X90L

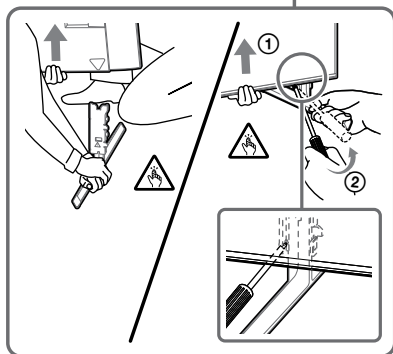
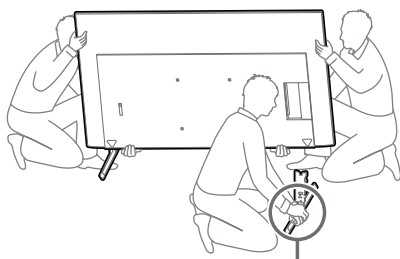
- Noņemiet galda statīva puses pa vienai. Stingri turiet galda statīvu ar abām rokām, kamēr palīgi paceļ televizoru vai LCD monitoru.



- Atkārtojiet iepriekšējo darbību un noņemiet galda statīva otru pusi.

Tikai modeļiem XR-85X90L / 75X90L / 65X90L / 55X90L, XRM-85X90L / 75X90L / 65X90L / 55X90L

- Noņemiet galda statīva puses pa vienai. Stingri turiet galda statīvu ar abām rokām, kamēr palīgi paceļ televizoru vai LCD monitoru.



- Atkārtojiet iepriekšējo darbību un noņemiet galda statīva otru pusi.

Piezīme

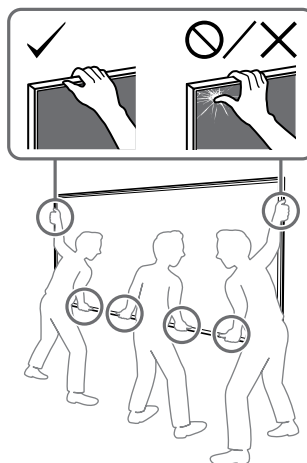
- Lai atvienotu galda statīvu, nepieciešama vismaz triju cilvēku palīdzība.
- Galda statīvu nedrīkst atvienot no televizora vai LCD monitora ar pārmērīgu spēku, jo tādējādi televizors vai LCD monitors var nokrist un radīt traumas vai televizora vai LCD monitora bojājumus.
- Veicot darbības ar galda statīvu, ievērojiet piesardzību, lai novērstu televizora vai LCD monitora bojājumus.
- Ja galda statīvs nav nostiprināts, uzmanieties, ceļot televizoru vai LCD monitoru, jo statīvs var gāzties un radīt traumas.
- Uzmanieties, noņemot televizoram vai LCD monitoram galda statīvu, lai nepieļautu televizora vai LCD monitora apgāšanos un virsmas, uz kuras balstās televizors vai LCD monitors, sabojāšanu.

Televizora vai LCD monitora piestiprināšana pie sienas

Tikai modeļiem KD-85X8xL / 85X8xBL / 75X8xL / 75X8xBL, KM-85X8xL / 75X8xL, XR-85X9xL / 75X9xL, XRM-85X9xL / 75X9xL

BRĪDINĀJUMS!

- Liela televizora vai LCD monitora pārvietošana jāveic diviem vai vairāk cilvēkiem (ja televizora vai LCD monitora diagonāle ir 189,3 cm (75 collas) vai vairāk – trim vai vairāk cilvēkiem) (izņemot Ēģipti). Liela televizora vai LCD monitora pārvietošana jāveic diviem vai vairāk cilvēkiem (ja televizora vai LCD monitora diagonāle ir 75 collas (189,3 cm) vai vairāk – trim vai vairāk cilvēkiem) (tikai Ēģipte).



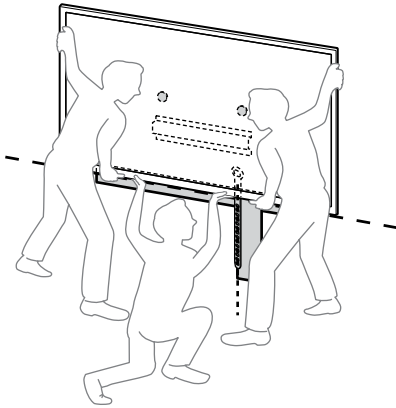
1 Paceliet televizoru vai LCD monitoru.

- Informāciju par Trišu (B) izvietošanu uz pamatnes (20) (A) vai pamatnes adaptera (1), skatiet "Pamatnes adaptera (1) uzstādīšanas vieta" 19. lpp.
- Kad turat televizoru vai LCD monitoru, pārliedzieties, vai tā aizmugure pieskaras pamatnei (20) (A) vai pamatnes adapterim (1).

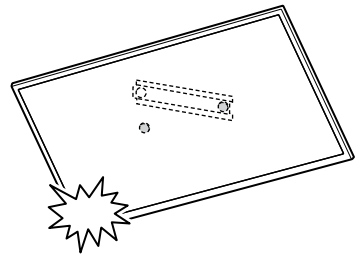
Piezīme

- Turiet televizoru vai LCD monitoru stingri ar abām rokām un pārliedzieties, vai saite (F) un televizora vai LCD monitora apakšmala sakrīt ar krāsotāju līmlenti.

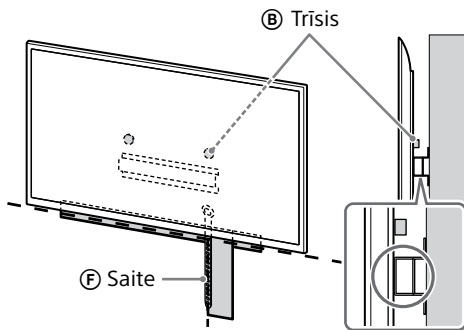
- Nesiet televizoru vai LCD monitoru trijātā un lieciet, lai viena persona, kas ir televizora vai LCD monitora priekšā, vada pārējos, lai pielāgotu pozīciju.



- Lēnām atlaidiet rokas, lai pārļiecinātos, vai televizors vai LCD monitors nekrit.



- Ievērojiet piesardzību, kad uzstādāt televizoru vai LCD monitoru pie sienas, īpaši tas attiecas uz personu, kas atbalsta televizoru vai LCD monitoru no apakšas — televizors vai LCD monitors var krist, izraisot smagas traumas vai pat nāvi.

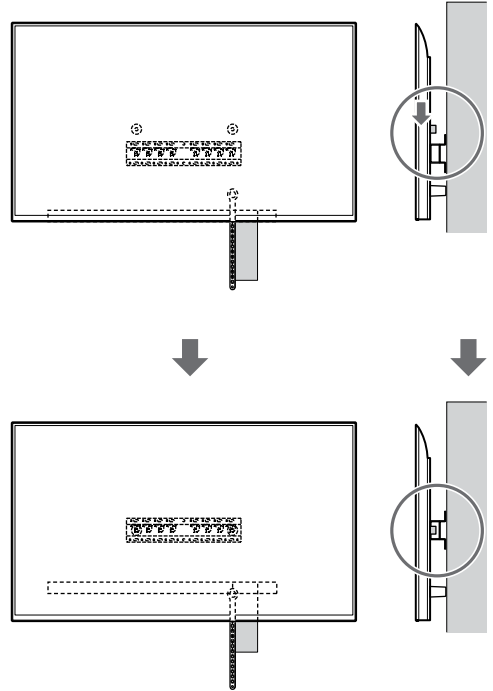
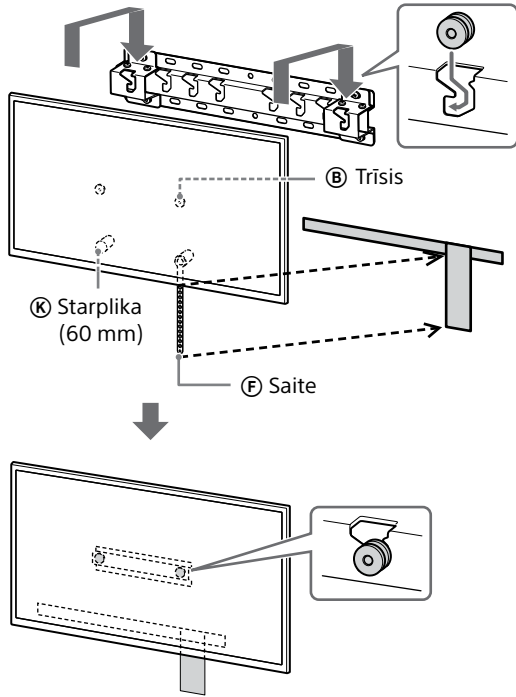


LV

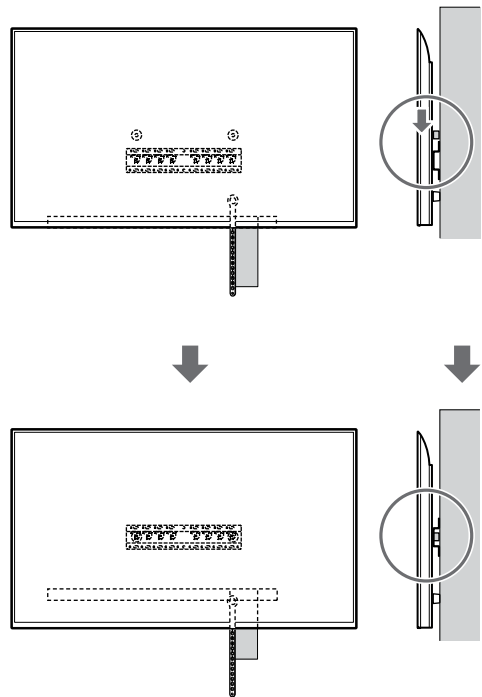
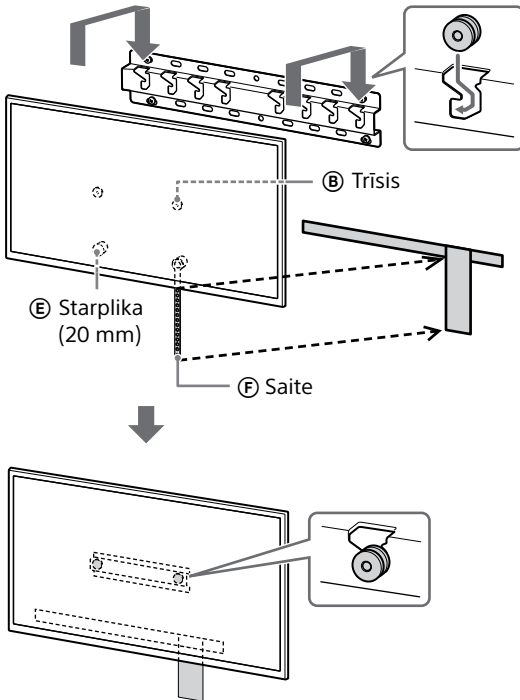
2 Uzstādiet televizoru vai LCD monitoru uz pamatnes (20) **A** vai pamatnes adaptera **I**.

- Uzmanīgi slidiniet televizoru vai LCD monitoru uz leju un ievietojiet televizora vai LCD monitora aizmugurē piestiprinātos trīšus **B** pamatnē (20) **A** vai pamatnes adapterī **I**, lai tie atbilstu atveru formai.
- Pēc televizora vai LCD monitora uzstādīšanas pie sienas pārbaudiet, vai trīši **B** ir cieši piestiprināti pamatnei (20) **A** vai pamatnes adapterim **I**.

Ja ir atlasīta parastā montāža (2-a):

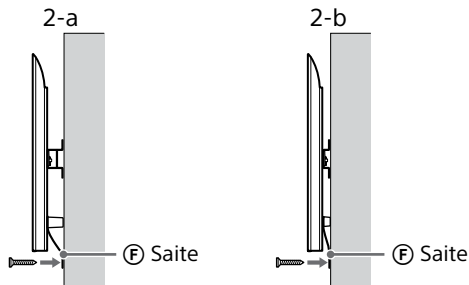


Ja ir atlasīta kompaktā montāža (2-b):



3 Nesasveriet televizora vai LCD monitora apakšpusi.

- Satveriet saites (F) galu un cieši piestipriniet to pie sienas.



- Izmantojiet 5 mm diametra skrūvi vai līdzvērtīgu (nav iekļauta komplektā).

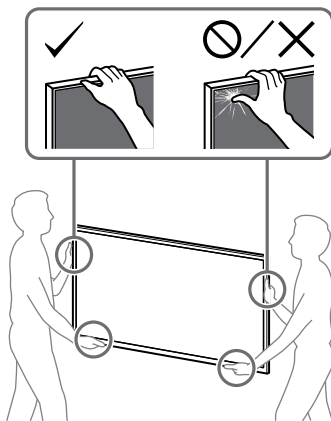
Piezīme

- Nedaudz pavelciet televizora vai LCD monitora apakšdaļu savā virzienā, lai pārlicinātos, ka tā nekustas. Ja ir kāda kustība, tas nav pareizi nostiprināts, un saite (F) atkal ir stingri jānostiprina.

Izņemot modeļiem KD-85X8xL / 85X8xBL / 75X8xL / 75X8xBL, KM-85X8xL / 75X8xL, XR-85X9xL / 75X9xL, XRM-85X9xL / 75X9xL

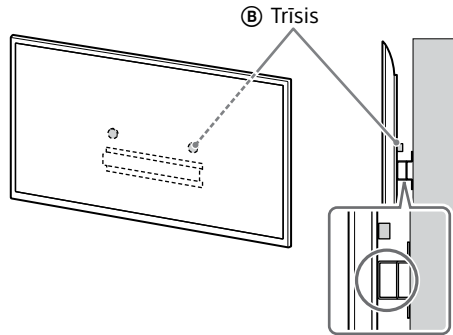
BRĪDINĀJUMS!

- Liela televizora vai LCD monitora pārvietošana jāveic diviem vai vairāk cilvēkiem (ja televizora vai LCD monitora diagonāle ir 189,3 cm (75 collas) vai vairāk – trim vai vairāk cilvēkiem) (izņemot Ēģipti).
Liela televizora vai LCD monitora pārvietošana jāveic diviem vai vairāk cilvēkiem (ja televizora vai LCD monitora diagonāle ir 75 collas (189,3 cm) vai vairāk – trim vai vairāk cilvēkiem) (tikai Ēģipte).



1 Paceliet televizoru vai LCD monitoru.

- Informāciju par Trīšu (B) izvietojumu uz pamatnes (20) (A) vai pamatnes adaptera (1), skatiet "Pamatnes adaptera (1) uzstādīšanas vieta" 19. lpp.
- Kad turat televizoru vai LCD monitoru, pārlicinieties, vai tā aizmugure pieskaras pamatnei (20) (A) vai pamatnes adapterim (1).

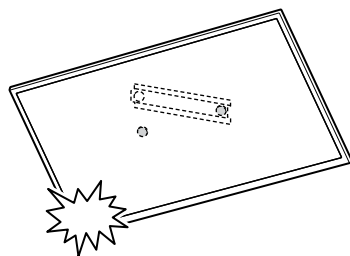


Piezīme

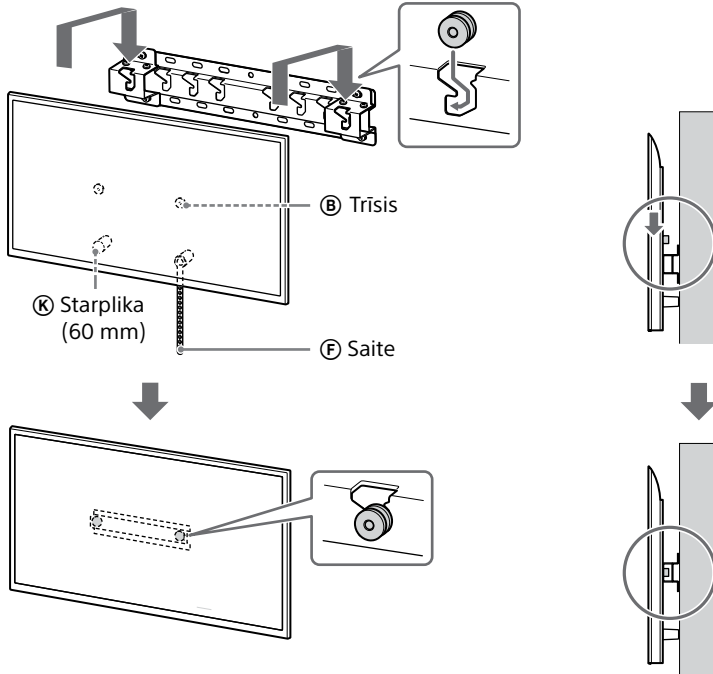
- Turiet televizoru vai LCD monitoru stingri ar abām rokām.

2 Uzstādiet televizoru vai LCD monitoru uz pamatnes (20) (A) vai pamatnes adaptera (1).

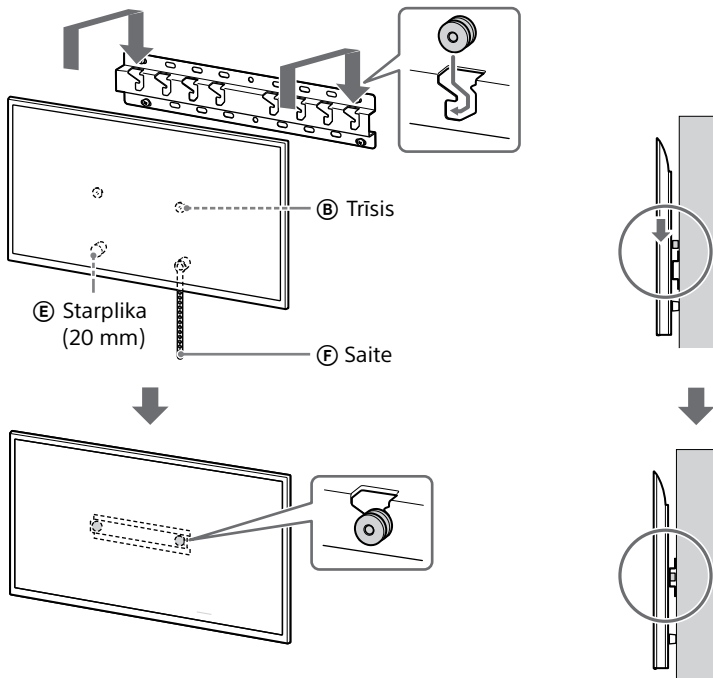
- Uzmaniģi slidiniet televizoru vai LCD monitoru uz leju un ievietojiet televizora vai LCD monitora aizmugurē piestiprinātos trīšus (B) pamatnē (20) (A) vai pamatnes adapterī (1), lai tie atbilstu atveru formai.
- Pēc televizora vai LCD monitora uzstādīšanas pie sienas pārbaudiet, vai trīši (B) ir cieši piestiprināti pamatnei (20) (A) vai pamatnes adapterim (1).
- Lēnām atlaidiet rokas, lai pārlicinātos, vai televizors vai LCD monitors nekrīt.



Ja ir atlasīta parastā montāža (2-a):

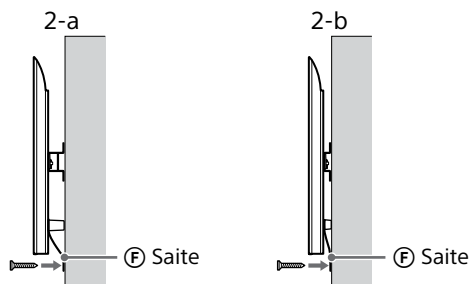


Ja ir atlasīta kompaktā montāža (2-b):



3 Nesasveriet televizora vai LCD monitora apakšpusi.

- Satveriet saites (F) galu un cieši piestipriniet to pie sienas.



- Izmantojiet 5 mm diametra skrūvi vai līdzvērtīgu (nav iekļauta komplektā).

Piezīme

- Nedaudz pavelciet televizora vai LCD monitora apakšdaļu savā virzienā, lai pārlicinātos, ka tā nekustas. Ja ir kāda kustība, tas nav pareizi nostiprināts, un saite (F) atkal ir stingri jānostiprina.

Pārlicinieties, vai uzstādīšana veiksmīgi pabeigta

Pārlicinieties par tālāko.

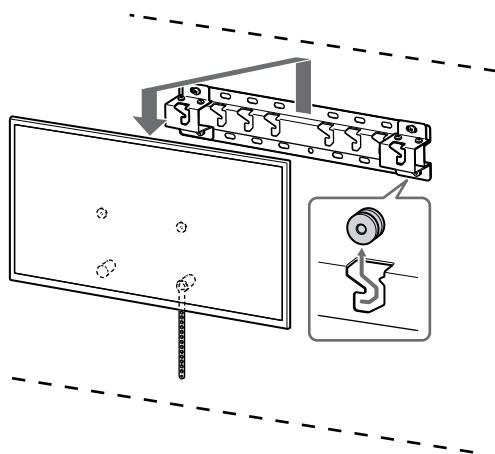
- Triši (B) ir cieši uzkarināti uz pamatnes (20) (A) vai pamatnes adaptera (1).
- Vads un kabelis nav savērpts vai saspiests.
- Saite (F) ir stingri nostiepta.

BRĪDINĀJUMS!

- Ja maiņstrāvas vads tiek novietots nepareizi, var rasties īssavienojums, kas var izraisīt aizdegšanos vai strāvas triecienu. Drošības labad noteikti pārlicinieties, vai uzstādīšana paveikta pareizi.

Cita informācija

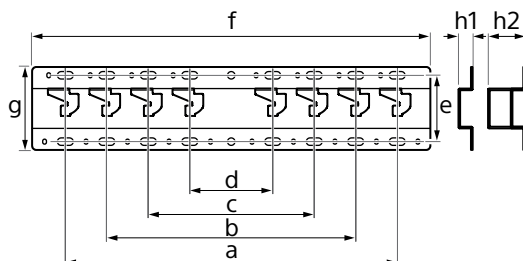
Noņemot televizoru vai LCD monitoru, veiciet uzstādīšanas darbības pretējā secībā.



BRĪDINĀJUMS!

- Liela televizora vai LCD monitora pārvietošana jāveic diviem vai vairāk cilvēkiem (ja televizora vai LCD monitora diagonāle ir 189,3 cm (75 collas) vai vairāk – trim vai vairāk cilvēkiem) (izņemot Ēģipti). Liela televizora vai LCD monitora pārvietošana jāveic diviem vai vairāk cilvēkiem (ja televizora vai LCD monitora diagonāle ir 75 collas (189,3 cm) vai vairāk – trim vai vairāk cilvēkiem) (tikai Ēģipte).

Specifikācijas



Izmēri: (aptuveni) [mm]

- a : 400
- b : 300
- c : 200
- d : 100
- e : 80
- f : 480
- g : 100

h1 : 20 (kompaktā montāža, 2-b)

h2 : 60 (parastā montāža, 2-a)

Svars (pamatne): (aptuveni) [kg]

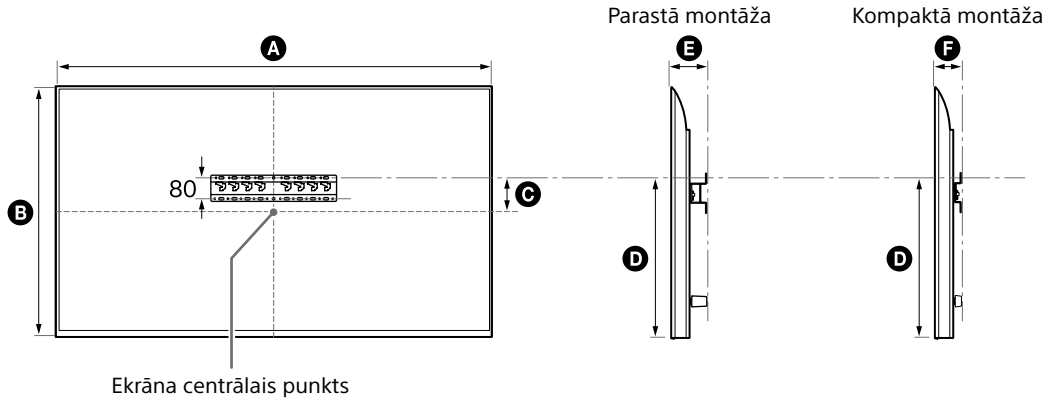
0,8

Konstrukcija un specifikācijas var tikt mainītas bez iepriekšēja brīdinājuma.

Atsauces

Kronšteina montāžai pie sienas uzstādīšanas izmēri

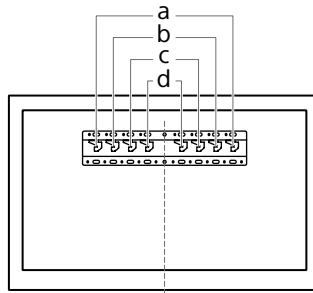
Izmēri tabulā var nedaudz mainīties atkarībā no uzstādīšanas.



(mm)

Modeļa nosaukums	A	B	C	D	E	F
KD-85X81BL / 85X80L KM-85X80L	1901	1090	43	592	138	96
XR-85X90L XRM-85X90L	1891	1085	58	607	125	83
KD-75X85L KM-75X85L	1671	960	21	508	123	81
KD-75X81BL / 75X80L KM-75X80L	1675	962	12	493	137	95
XR-75X90L XRM-75X90L	1668	959	21	508	123	81
KD-65X85L / 65X85BL KM-65X85L	1447	832	85	505	123	81
KD-65X81BL / 65X80L KM-65X80L	1452	836	76	494	135	93
XR-65X90L XRM-65X90L	1445	831	85	505	123	81
KD-55X85L KM-55X85L	1228	709	146	505	122	81
KD-55X81BL / 55X80L KM-55X80L	1233	713	133	494	135	93
XR-55X90L XRM-55X90L	1225	707	146	505	122	81
KD-50X80L KM-50X80L	1119	649	63	392	133	91
KD-43X80L KM-43X80L	964	563	111	392	133	91

Pamatnes adaptera ① uzstādīšanas vieta

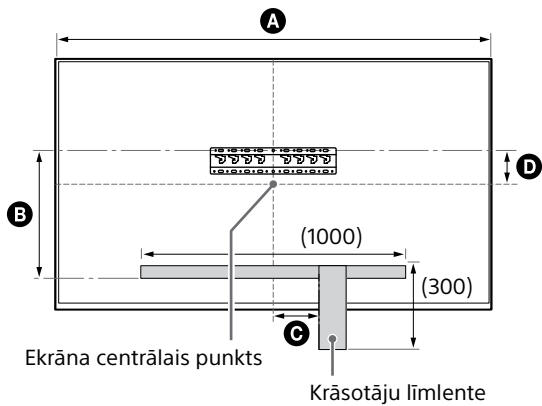


Modeļa nosaukums	Āķa atrašanās vieta
KD-85X81BL / 85X80L KM-85X80L XR-85X90L XRM-85X90L	a
KD-75X85L / 75X81BL / 75X80L KM-75X85L / 75X80L XR-75X90L XRM-75X90L	b
KD-65X85L / 65X85BL / 65X81BL / 65X80L KM-65X85L / 65X80L XR-65X90L XRM-65X90L	b

Modeļa nosaukums	Āķa atrašanās vieta
KD-55X85L / 55X81BL / 55X80L KM-55X85L / 55X80L XR-55X90L XRM-55X90L	b
KD-50X80L KM-50X80L	c
KD-43X80L KM-43X80L	c

LV

Televizors vai LCD monitora uzstādīšanas vietas atzīmēšana uz sienas



(mm)

Modeļa nosaukums	A	B	C	D
KD-85X81BL / 85X80L KM-85X80L	1901	472	200	43
XR-85X90L XRM-85X90L	1891	486	200	58
KD-75X85L KM-75X85L	1671	388	150	21
KD-75X81BL / 75X80L KM-75X80L	1675	373	150	12
XR-75X90L XRM-75X90L	1668	388	150	21

Tvirtinimo informacija norint naudoti „Sony“ prie sienos tvirtinamą laikiklį (SU-WL450)

Palaikomi modeliai*:

* Faktinių modelių pavadinimuose „x“/„xx“ rodo konkrečiai kiekvienam modeliui priskiriamus numerius ir (arba) ženklus.

KD-85X8xL / 85X8xBL / 75X8xL / 75X8xBL / 65X8xL / 65X8xBL / 55X8xL / 55X8xBL / 50X8xL / 43X8xL

KM-85X8xL / 75X8xL / 65X8xL / 55X8xL / 50X8xL / 43X8xL

XR-85X9xL / 75X9xL / 65X9xL / 55X9xL

XRM-85X9xL / 75X9xL / 65X9xL / 55X9xL

Pirkėjams

Siekiant apsaugoti gaminį ir užtikrinti saugumą, „Sony“ griežtai rekomenduoja, kad televizorių arba LCD monitorių pritvirtintų „Sony“ prekybos atstovai arba licencijuoti tiekėjai. Nemėginkite jo tvirtinti patys.

„Sony“ prekybos atstovams ir tiekėjams

Tvirtindami šį gaminį, atlikdami jo reguliarią priežiūrą ir patikrinimą, visą dėmesį skirkite saugumui.

Norint pritvirtinti šį gaminį, reikia turėti pakankamai kompetencijos, ypač nustatant, ar siena galės išlaikyti televizoriaus arba LCD monitoriaus svorį. Pasirūpinkite, kad „Sony“ prekybos atstovai ar licencijuoti tiekėjai pritvirtintų šį gaminį prie sienos. Tvirtinant pakankamas dėmesys turi būti skirtas saugumui. „Sony“ nėra atsakinga už jokią žalą ar sužalojimus, kilusius dėl netinkamo pernešimo ar montavimo.

Kad saugiai ir tinkamai sumontuotumėte, vadovaukitės prie sienos tvirtinamo laikiklio instrukcijomis, televizoriaus arba LCD monitoriaus nustatymo vadovu ir šio vadovo nurodymais.

Prie sienos tvirtinamas laikiklis

Sauga

Dėkojame, kad įsigijote šį gaminį.

Pirkėjams

TV arba LCD monitoriaus montavimas prie sienos



PRIVALO SUMONTUOTI SPECIALISTAS

Šį gaminį privalo įrengti tik profesionalus montuotojas, išmokytas nustatyti, ar siena yra pakankamai stipri, kad išlaikytų televizoriaus arba LCD monitoriaus svorį. Jei montuojant televizorių arba LCD monitorių nebus tinkamai pritvirtintas, jis gali nukristi ir sunkiai sužeisti. „Sony“ neatsako už žalą ar traumą, kilusią netinkamai elgiantis, netinkamai sumontavus ar sumontavus kitą nei nurodytas gaminyje. Jūsų teisėms pagal įstatymą (jei tokių yra) tai įtakos neturi.

„Sony“ prekybos atstovams

Norint sumontuoti šį gaminį, reikia turėti pakankamai kompetencijos. Atidžiai perskaitykite šią naudojimo instrukciją, kad montavimo darbus atliktumėte saugiai. „Sony“ nėra atsakinga už jokią žalą ar sužalojimus, kilusius dėl neteisingo pernešimo ar montavimo. Baigę montavimo darbus atiduokite šį vadovą pirkėjui.

Šioje naudojimo instrukcijoje rodoma, kaip teisingai elgtis su gaminiu, ir pateikiamos svarbios atsargumo priemonės, kurias reikia laikytis, kad būtų išvengta nelaimingų atsitikimų. Jūs privalote perskaityti ir gerai suprasti visas šiose naudojimo instrukcijose pateiktas nurodymus bei jų laikytis. To nepadarius, galima sunkiai susižeisti arba sugadinti turėtą, tada garantija gali negaliooti. Pasilikite šį vadovą, kad galėtumėte jį peržiūrėti ateityje.

„Sony“ gaminiai sukurti galvojant apie saugą. Jei gaminiai naudojami neteisingai, gali kilti gaisras, galima patirti elektros smūgį, gaminyje gali nuvirsti ar užkristi ir taip rimtai sužaloti. Laikykites atsargumo priemonių dėl saugos, kad išvengtumėte tokių nelaimingų atsitikimų.

Pagaminta Kinijoje

DĖMESIO

Tinkami gaminiai

Šis prie sienos tvirtinamas laikiklis skirtas tam tikriems TV arba LCD monitoriams. Norėdami patikrinti, su kuriais TV arba LCD monitoriais galima naudoti prie sienos tvirtinamą laikiklį, žr. trumpąjį vadovą.

Pirkėjams

ĮSPĖJIMAS

Nesilaikant toliau pateiktų atsargumo priemonių, gali kilti gaisras, galima patirti elektros smūgį, arba gaminyje gali nukristi – dėl to galima rimtai susižaloti ar net žūti.

Pasirūpinkite, kad montavimo darbus atliktų licencijuoti tiekėjai, o montavimo metu neleiskite arti būti mažiems vaikams.

Jei prie sienos tvirtinamas laikiklis arba TV, arba LCD monitorius sumontuoti netinkamai, gali įvykti toliau nurodyti nelaimingi atsitikimai. Įsitikinkite, kad montavimo darbus atlieka licencijuoti tiekėjai.

- TV arba LCD monitorius gali nukristi ir rimtai sužaloti. Galite patirti sumušimą arba lūžį.
- Jeigu siena, ant kurios montuojamas prie sienos tvirtinamas laikiklis, yra nestabili, nelygi ar nestatmena grindimis, įrenginys gali nukristi ir sužaloti arba sugadinti turėtą. Siena turėtų būti pakankamai tvirta, kad išlaikytų bent keturis kartus didesnį svorį nei TV arba LCD monitorius. (Norėdami sužinoti TV arba LCD monitoriaus svorį, žr. jo trumpąjį vadovą.)
- Jeigu prie sienos tvirtinamas laikiklis bus sumontuotas nepakankamai tvirtai, įrenginys gali nukristi ir sužaloti arba sugadinti turėtą.

TV arba LCD monitoriaus pernešimo ar išėmimo darbus patikėkite licencijuotiems tiekėjams.

Jei TV arba LCD monitoriaus transportavimo ar išėmimo darbus atlieka ne licencijuoti tiekėjai, jis gali nukristi ir sužaloti arba sugadinti turėtą. Dideliam TV arba LCD monitoriui gabenti reikia dviejų ar daugiau žmonių (trijų ar daugiau žmonių reiktų gabenant 189,3 cm (75 colių) ar didesnį TV arba LCD monitorių) (išskyrus Egiptą). Dideliam TV arba LCD monitoriui gabenti reikia dviejų ar daugiau žmonių (trijų ar daugiau žmonių reiktų gabenant 75 colių (189,3 cm) ar didesnį TV arba LCD monitorių) (tik Egiptui).

Sumontavę TV arba LCD monitorių, neišsukite sraigčių ar kt. dalių.

Jei tai padarysite, TV arba LCD monitorius gali nukristi ir sužaloti arba sugadinti turėtą.

Nekeiskite prie sienos tvirtinamo laikiklio dalių.

Jei tai padarysite, prie sienos tvirtinamas laikiklis gali nukristi ir sužaloti arba sugadinti turėtą.

Nemontuokite kitos įrangos, išskyrus nurodytą gaminį.

Šis prie sienos tvirtinamas laikiklis skirtas naudoti tik su nurodytu gaminiu. Jeigu montuosite kitą, nei nurodytą, įrangą, ji gali nukristi arba lūžti, todėl sužaloti arba sugadinti turėtą.

Prie sienos tvirtinamo laikiklio neapkraukite didesne nei TV arba LCD monitoriaus apkrova. Nekratykite TV arba LCD monitoriaus kairėn / dešinėn arba aukštyn / žemyn.

Jei tai padarysite, TV arba LCD monitorius gali nukristi ir sužaloti arba sugadinti turėtą.

Nesilenkite ir nesikabinkite ant TV arba LCD monitoriaus.

Nesilenkite ir nesikabinkite ant TV arba LCD monitoriaus, nes jis gali ant jūsų užkristi ir rimtai sužaloti.

DĖMESIO

Nesilaikant toliau nurodytų atsargumo priemonių, galima susižaloti arba sugadinti turėtą.

- Nepanaudotas dalis būtinai laikykite saugioje vietoje ateičiai. Laikykite jas vaikams nepasiekiamoje vietoje.

Valydami gaminį ar atlikdami jo techninę priežiūrą, neveikite jo per didelę jėgą.

Nespauskite TV arba LCD monitoriaus iš viršaus per stipriai. Jei tai padarysite, TV arba LCD monitorius gali nukristi ir sužaloti arba sugadinti turėtą.

Atsargumo priemonės

- Jei TV arba LCD monitorių, sumontuotą ant prie sienos tvirtinamo laikiklio, naudosite ilgą laiką, siena už TV arba LCD monitoriaus ar virš jo gali nublukti, arba tapetai gali atsikiljuoti, priklausomai nuo to, iš kokių medžiagų pastatyta siena.
- Nuėmus prisuktą prie sienos tvirtinamą laikiklį, sienoje liks sraigčių padarytos skylės.
- Nenaudokite prie sienos tvirtinamo laikiklio tokiose vietose, kur jį veiktų mechaninė vibracija.

LT

Prie sienos tvirtinamo laikiklio montavimas

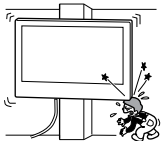
„Sony“ prekybos atstovams

ĮSPĖJIMAS

Toliau nurodytos instrukcijos skirtos tik „Sony“ tiekėjams. Perskaitykite pirmiau pateiktas atsargumo priemones ir montuodami, eksploatuodami bei tikrindami šį gaminį ypatingą dėmesį skirkite saugai.

Nemontuokite prie sienos tvirtinamo laikiklio ant sienos tokioje vietoje, kur TV arba LCD monitoriaus kampai arba šonai išsikištų už sienos paviršiaus.

Nemontuokite prie sienos tvirtinamo laikiklio ant kolonų ar panašių paviršių, kur TV arba LCD monitoriaus kampai arba šonai išsikištų už sienos paviršiaus. Jei asmuo ar objektas užkliūna išsikišusį TV arba LCD monitoriaus kampą ar šoną, šis gali sužaloti arba sugadinti turėtą.

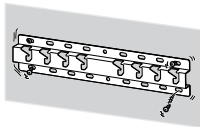


Nemontuokite TV arba LCD monitoriaus virš oro kondicionieriaus arba po juo.

Jei ant TV arba LCD monitoriaus laša vanduo arba jį ilgą laiką veikia oro srautas iš oro kondicionieriaus, gali kilti gaisras, galima patirti elektros smūgį, arba TV ar LCD monitorius gali sugesti.

Pasirūpinkite, kad prie sienos tvirtinamas laikiklis būtų patikimai pritvirtintas prie sienos, laikantis šiose naudojimo instrukcijose pateiktų nurodymų.

Jei kuris nors sraigtas atsilaisvina ar iškrenta, prie sienos tvirtinamas laikiklis gali nukristi ir sužaloti arba sugadinti turėtą. Įsitikinkite, kad naudojate sienos medžiagai tinkamus Sraigtus, ir patikimai pritvirtinkite įrangą keturiais ar daugiau 8 mm skersmens (arba atitinkamais) sraigtais.



Tiekiamus sraigtus ir priedų dalis naudokite tinkamai, laikydamiesi šiose naudojimo instrukcijose pateiktų nurodymų. Jei naudojate pakaitalus, TV arba LCD monitorius gali nukristi ir ką nors sužaloti, arba TV ar LCD monitorius gali būti sugadintas.

Pasirūpinkite, kad laikiklis būtų surinktas tinkamai, vadovaujantis šiose naudojimo instrukcijose pateiktomis procedūromis.

Jei kuris nors sraigtas atsilaisvina ar iškrenta, TV arba LCD monitorius gali nukristi ir ką nors sužaloti, arba TV arba LCD monitorius gali būti sugadintas.

Pasirūpinkite, kad sraigtai būtų patikimai įsukti reikiamose vietose.

Jei to nepadarysite, TV arba LCD monitorius gali nukristi ir ką nors sužaloti, arba TV arba LCD monitorius gali būti sugadintas.

Būkite atsargūs, kad montavimo metu TV arba LCD monitorius nebūtų sutrenktas.

Sutrenkus TV arba LCD monitorių, jis gali nukristi arba perlūžti. Taip galima susižaloti.

Įsitikinkite, kad TV arba LCD monitorių montuosite ant statmenos ir plokščios sienos.

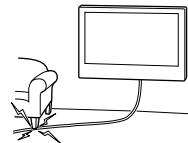
Jei to nepadarysite, TV arba LCD monitorius gali nukristi ir sužaloti.

Teisingai sumontavę TV arba LCD monitorių, tinkamai pritvirtinkite laidus.

Jei žmonės ar objektai įspainios tarp kabelių, gali būti sužaloti žmonės arba sugadintas TV arba LCD monitorius.

Saugokite, kad KS maitinimo laidas arba jungiamasis kabelis nebūtų suspausti.

Jei KS maitinimo laidas arba jungiamasis kabelis yra prispaustas tarp įrenginio ir sienos arba per jėgą sulenktas ar suspaustas, gali išlįsti vidiniai laidininkai, todėl gali įvykti trumpasis jungimas arba nutrukti elektros tiekimas. Dėl to gali kilti gaisras, arba galima patirti elektros smūgį.



Sraigtais, kurių reikia prie sienos tvirtinamam laikikliui montuoti prie sienos, nepridėti.

Montuodami prie sienos tvirtinamą laikiklį, naudokite sienos medžiagai tinkančius sraigtus.

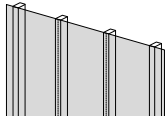
Prieš pradėdant darbą

- Šiame vadove pateiktos televizoriaus ar LCD monitoriaus iliustracijos yra pavyzdžiai, kurie naudojami, kad operacijų atlikimo instrukcijos būtų aiškios. Dėl to iliustracijos gali skirtis nuo jūsų televizoriaus ar LCD monitoriaus.

Iš ko padaryta jūsų siena?

Pirmiausia išsiaiškinkite, kokio tipo yra siena, ant kurios norite tvirtinti televizorių arba LCD monitorių.

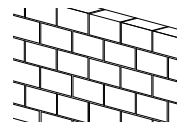
Sausos konstrukcijos siena su profiliais



Atsargumo priemonės

- Didžiausias sienos storis: 16 mm.
- Įsitikinkite, kad vidinio medienos profilio dydis yra bent 51 mm × 102 mm (bendrasis) arba 38 mm × 89 mm (vardinis).

Betoninė arba iš betoninių blokelių padaryta siena



Atsargumo priemonės

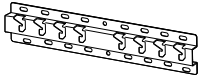








- Prie sienos tvirtinamą laikiklį tvirtinkite tiesiai ant betoninės sienos.
- Įsitikinkite, kad betoninės sienos storis yra mažiausiai 203 mm.
- Įsitikinkite, kad kiekvieno betoninio blokelių dydis yra mažiausiai 203 mm × 203 mm × 406 mm.

LT






Dalių patikrinimas

Tiekiami kartu su SU-WL450


- Įsitikinkite, kad yra visos dalys.

<p>Ⓐ Pagrindas (20) (x1)</p> 	<p>Ⓑ Skriemulys (x2)</p> 	<p>Ⓒ Sraigtas (+PSW 6 x 20) (x4)</p> 	<p>Ⓔ Tarpiklis (20 mm) (x2)</p> 
<p>Ⓕ Diržas (x1)</p> 	<p>Ⓘ Pagrindo adapteris (x2)</p> 	<p>Ⓙ Sraigtas (+PSW 4 x 10) (x8)</p> 	<p>Ⓚ Tarpiklis (60 mm) (x2)</p> 
<p>Ⓛ Sraigtas (+PSW 6 x 50) (x2)</p> 			

- Jūsų modelyje šių dalių naudoti negalima.

<p>ⓓ Sraigtas (+PSW 4 x 20) su įvorė (x2)</p> 	<p>ⓖ Įvorė (20) (M4) (x2)</p> 	<p>ⓓ Sraigtas (+PSW 4 x 20) (x2)</p> 	<p>ⓓ Įvorė (M4) (x2)</p> 
<p>Ⓝ Sraigtas (+PSW 4 x 50) (x2)</p> 			



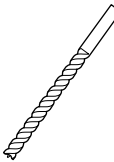
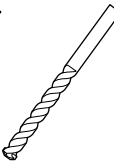
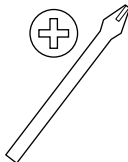
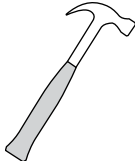
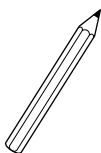
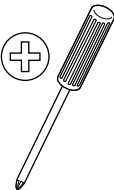
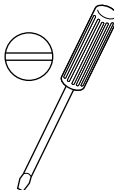
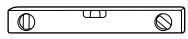




Tiekiami kartu su televizoriumi arba LCD monitoriumi

<p>Prie sienos tvirtinamas elementas VS (x4)*</p> 
--

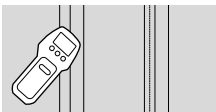
- * Tik kai kuriuose regionuose / šalyse / modeliuose.

Pasiruošimas montuoti

- Prieš montuodami pasidėkite po ranka TV arba LCD monitoriaus trumpąjį vadovą ir nustatymo vadovą.
- Patikrinkite TV arba LCD monitoriaus montavimo vietą.
- Pasiruoškite keturis ar daugiau 8 mm skersmens sraigtus ir vieną 5 mm skersmens arba atitinkamą sraigtą (nepridėti). Pasirinkite sienos medžiagai tinkamus sraigtus.
- Pasiruoškite šiuos įrankius:

*1 		 5,5 mm	 10 mm	
*2 		 1,5 N·m {15 kgf·cm}	*3  1,5 N·m {15 kgf·cm}	
	*2  (x4)	 (x4) 8 mm × 60 mm	 5 mm	
*4 				

*1 Tik sausos konstrukcijos sienai su profiliais



*2 Tik betoninei ar iš betoninių blokelių padarytai sienai

*3 Priklauso nuo modelio

*4 Tik televizoriams arba LCD monitoriams, kurių įstrižainė 189,3 cm (75 colių) ar daugiau (išskyrus Egiptą)

Tik televizoriams arba LCD monitoriams, kurių įstrižainė 75 colių (189,3 cm) ar daugiau (tik Egiptui)

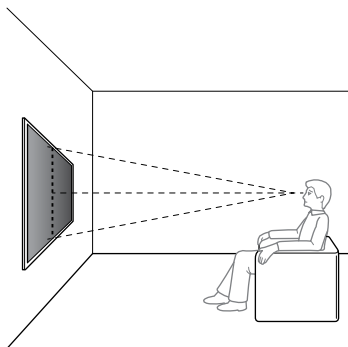
Prie sienos tvirtinamo laikiklio montavimas

1 Nuspręskite, kurioje vietoje montuosite.

Įsitikinkite, ar ant sienos pakanka vietos televizoriui arba LCD monitoriui ir ar ji galės atlaikyti svorį, bent keturis kartus didesnį už televizoriaus arba LCD monitoriaus. Norėdami sužinoti TV arba LCD monitoriaus trumpąjį vadovą.

Pastaba

- TV arba LCD monitorių pritvirtinus prie sienos, viršutinė TV arba LCD monitoriaus dalis šiek tiek pasvyra į priekį.
- Rekomenduojame patikrinti televizoriaus arba LCD monitoriaus padėtį žiūrėjimo aplinkoje.



2 Pasirinkite tvirtinimo prie sienos būdą kaip nurodyta toliau.

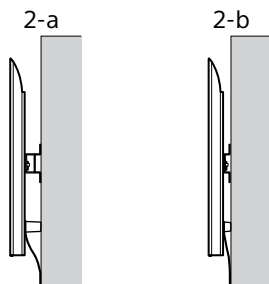
2-a: Standartinis tvirtinimas

2-b: Kompaktiškas tvirtinimas

- Žr. „Prie sienos tvirtinamo laikiklio instaliacijos ant sienos matavimas“, 18 psl.

ĮSPĖJIMAS

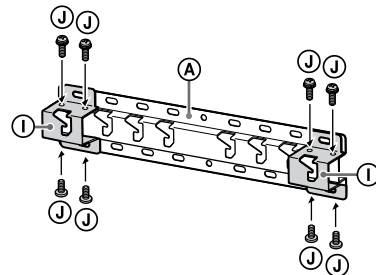
- Kai pasirenkamas 2-b variantas, prieiga prie gale esančių išvadų tampa ribota.



3 Jei pasirenkamas standartinis tvirtinimas (2-a):

Pagrindo adapterį ①, naudodami sraigtą (+PSW 4 × 10) ②, pritvirtinkite prie pagrindo (20) ③.

- Žr. „Pagrindo adapterio ① tvirtinimo vieta“, 19 psl.



Pvz., pagrindo adapterio ① tvirtinimas „a“ taške

Jei pasirenkamas kompaktiškas tvirtinimas (2-b):

Praleiskite šį veiksmą.

4 Nustatykite sraigtų vietas, kur montuosite pagrindą (20) ③.

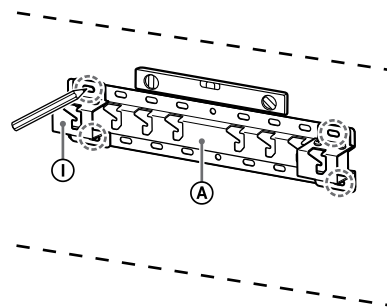
- Žr. „Techniniai duomenys“, 17 psl.

ĮSPĖJIMAS

- Nustatykite sienos, ant kurios bus kabinamas TV arba LCD monitorius, tvirtumą. Jei reikia, pakankamai sutvirtinkite sieną.
- Sieną, ant kurios bus kabinamas TV arba LCD monitorius, turėtų būti pakankamai tvirta, kad išlaikytų bent **keturis kartus** didesnį svorį nei TV arba LCD monitoriaus. (Norėdami sužinoti TV arba LCD monitoriaus svorį, žr. jo trumpąjį vadovą.)

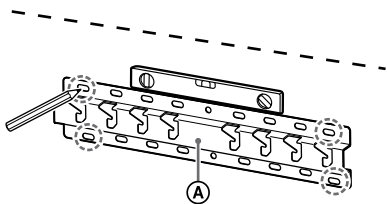
Jei pasirenkamas standartinis tvirtinimas (2-a):

Naudokite pagrindo adapterio ① skylių padėtis.



Pvz., žymėjimas taške „a“, kad atitiktų pagrindą (20) ③

Jei pasirenkamas kompaktiškas tvirtinimas (2-b):

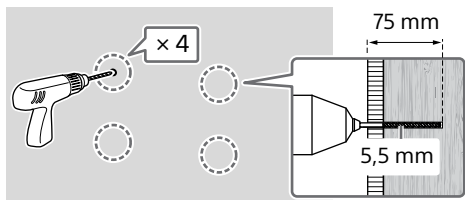


Pvz., žymėjimas taškė „a“, kad atitiktų pagrindą (20) A

5 Išgręžkite kontrolines skylės žymių vietose.

Išsitikinkite, ar vieta sienoje, kurioje gręšite skylės, galės atlaikyti svorį, bent keturis kartus didesnį už televizoriaus arba LCD monitoriaus.

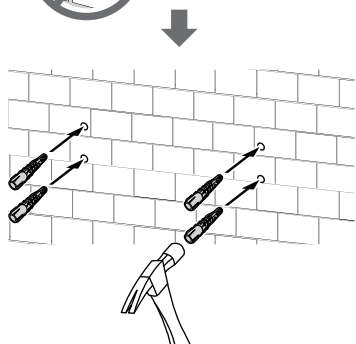
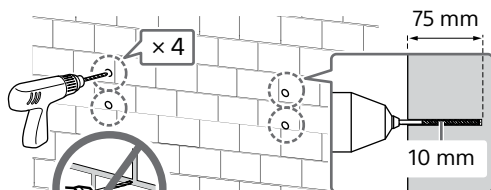
Sausos konstrukcijos sienos su profiliu gręžimas:



Pastaba

- Skylės gręžkite iki 75 mm gylio, naudodami 5,5 mm skersmens grąžtą.

Betoninės ar iš betoninių blokelių padarytos sienos gręžimas:



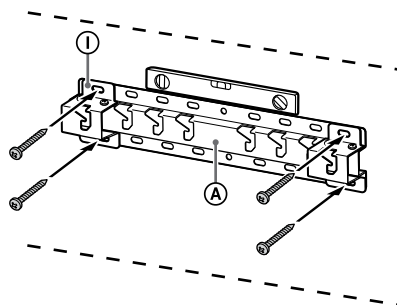
6 Pagrindą (20) A pritvirtinkite prie sienos tinkamais sraigtais (nepateikiami).

Pastaba

- Naudokite keturis ar daugiau 8 mm skersmens arba atitinkamus sraigtus (nepridėti).
- Gulsčiuoku patikrinkite, ar pagrindas (20) A yra horizontalus.

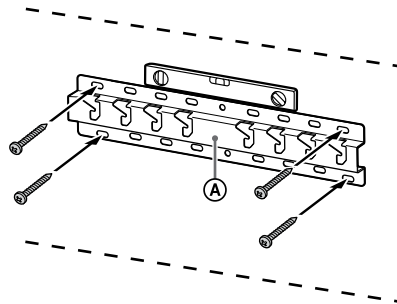
Jeį pasirenkamas standartinis tvirtinimas (2-a):

Keturis sraigtaus prakiškite per pagrindo adapteryje 1 esančias angas ir sujunkite su pagrindu (20) A.



Pvz., pagrindo (20) A tvirtinimas „a“ taške

Jeį pasirenkamas kompaktiškas tvirtinimas (2-b):



Pvz., pagrindo (20) A tvirtinimas „a“ taške

7 Tik KD-85X8xL / 85X8xBL / 75X8xL / 75X8xBL, KM-85X8xL / 75X8xL, XR-85X9xL / 75X9xL, XRM-85X9xL / 75X9xL

Pažymėkite montavimo vietą ant sienos.

Naudokite, pvz., maskuojamą juostą (nepateikiama), televizoriaus arba LCD monitoriaus vietai pažymėti šalia pagrindo (20) A arba pagrindo adapterio 1.

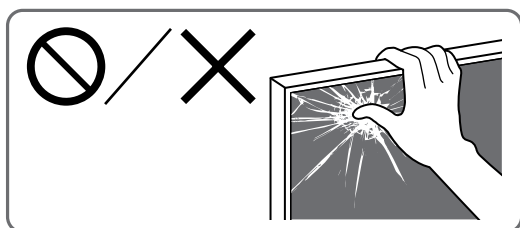
- Žr. „TV arba LCD monitoriaus tvirtinimo vietos žymėjimas ant sienos“, 20 psl.

Išskyrus KD-85X8xL /
85X8xBL / 75X8xL / 75X8xBL,
KM-85X8xL / 75X8xL,
XR-85X9xL / 75X9xL,
XRM-85X9xL / 75X9xL
Praleiskite šį veiksmą.

Pasiruošimas tvirtinti TV arba LCD monitorių

Pastaba

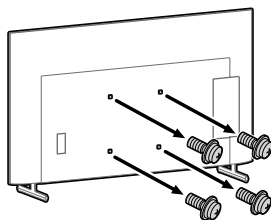
- Nuimtus varžtus ir nenaudojamas dalis padėkite į saugią vietą, nepasiekiamą vaikams.



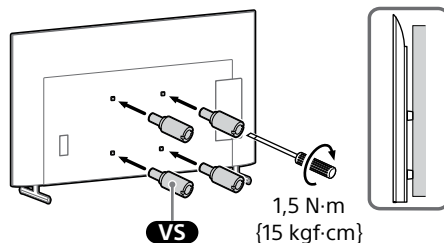
1 Prijunkite ant stalo pastatomą stovą, kad televizorius arba LCD monitorius stovėtų.

- Žr. televizoriaus arba LCD monitoriaus nustatymo vadovą.

2 Išsukite televizoriaus arba LCD monitoriaus užpakalinėje dalyje esančius varžtus.



3 Pritvirtinkite prie sienos tvirtinamą elementą **VS** (pridedamą su televizoriumi arba LCD monitoriumi) televizoriaus arba LCD monitoriaus nugarėlėje (kad būtų lygiagretu sienai).



Pastaba

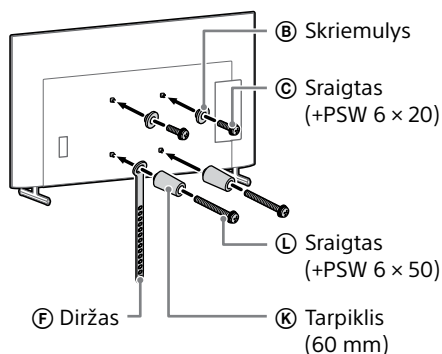
- Prie televizoriaus ar LCD monitoriaus tvirtindami prie sienos tvirtinamus elementus **VS**, būtinai jį priveržkite.
Prie sienos tvirtinamo elemento **VS** montavimui naudokite tik plokščią atsuktuvą. Jei naudosite kitą įrankį, prie sienos tvirtinamą elementą **VS** galite priveržti per stipriai ir sugadinti televizorių ar LCD monitorių.

4 Pritvirtinkite prie sienos tvirtinamo laikiklio tvirtinimo dalis. Peržiūrėkite skyrių „Dalių patikrinimas“ – „Tiekiamama kartu su SU-WL450“ 6 psl. ir patikrinkite tvirtinimo dalis.

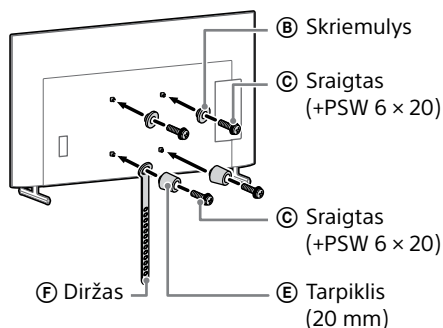
Pastaba

- Sraigtais gerai pritvirtinkite papildomas dalis.
- Kai naudojate elektrinį atsuktuvą, sukimo momentą nustatykite iki 1,5 N·m {15 kgf·cm}.

Jei pasirenkamas standartinis tvirtinimas (2-a):



Jei pasirenkamas kompaktiškas tvirtinimas (2-b):



5 Prijunkite prie TV arba LCD monitoriaus reikiamą (-us) kabelį (-ius).

Kabelius prijunkite prieš tvirtindami TV arba LCD monitorių prie sienos. Kai TV arba LCD monitorius bus pritvirtintas, kabelių prijungti nebegalėsite.

Pastaba

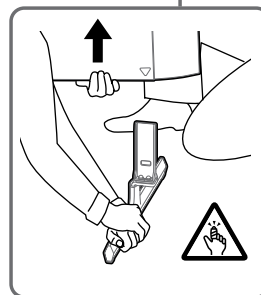
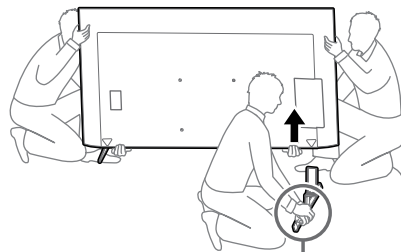
- Kabelio tiesimą per sieną patikėkite licencijuotam atstovui.
- Prieš montuodami įrenginį ant sienos, suriškite laidus, kad ant jų neužliptumėte.

6 Atjunkite ant stalo pastatomą stovą nuo televizoriaus arba LCD monitoriaus.

Ši iliustracija yra operacijos pavyzdys.

Išskyrus KD-75X85L / 65X85L / 65X85BL / 55X85L, KM-75X85L / 65X85L / 55X85L, XR-85X90L / 75X90L / 65X90L / 55X90L, XRM-85X90L / 75X90L / 65X90L / 55X90L

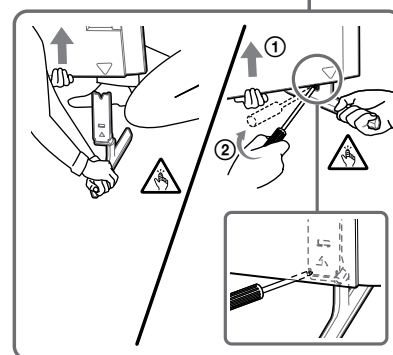
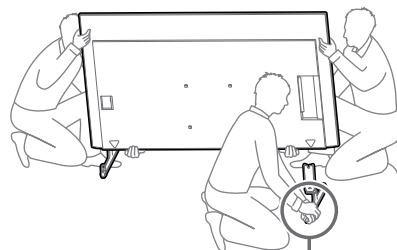
- Ant stalo pastatomą stovą nuimkite po vieną dalį. Tvirtai laikykite ant stalo pastatomą stovą dviem rankomis, kol kiti žmonės kelia televizorių arba LCD monitorių.



- Pakartokite ankstesnį veiksmą ir nuimkite kitą ant stalo pastatomo stovo dalį.

Tik KD-75X85L / 65X85L / 65X85BL / 55X85L, KM-75X85L / 65X85L / 55X85L

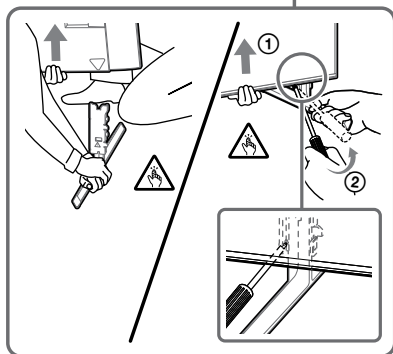
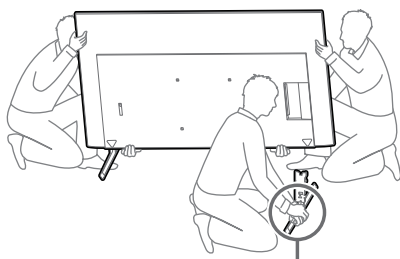
- Ant stalo pastatomą stovą nuimkite po vieną dalį. Tvirtai laikykite ant stalo pastatomą stovą dviem rankomis, kol kiti žmonės kelia televizorių arba LCD monitorių.



- Pakartokite ankstesnį veiksmą ir nuimkite kitą ant stalo pastatomo stovo dalį.

Tik XR-85X90L / 75X90L / 65X90L / 55X90L,
XRM-85X90L / 75X90L / 65X90L / 55X90L

- Ant stalo pastatomą stovą nuimkite po vieną dalį. Tvirtai laikykite ant stalo pastatomą stovą dviem rankomis, kol kiti žmonės kelia televizorių arba LCD monitorių.



- Pakartokite ankstesnį veiksmą ir nuimkite kitą ant stalo pastatomo stovo dalį.

Pastaba

- Ant stalo pastatomam stovui nuimti reikia trijų arba daugiau žmonių.
- Nuimdami ant stalo pastatomą stovą nuo televizoriaus arba LCD monitoriaus, nenaudokite per daug jėgos, nes TV arba LCD monitoriaus komplektas gali nukristi, ir dėl to gali būti sužalotas žmogus arba fiziškai sugadintas televizorius arba LCD monitorius.
- Su ant stalo pastatomu stovu elkitės atsargiai, kad nepažeistumėte televizoriaus arba LCD monitoriaus.
- Būkite atsargūs, keldami televizorių arba LCD monitorių, kai atjungiamas ant stalo pastatomas stovas, nes ant stalo pastatomas stovas gali nuvirsti ir sužeisti žmones.
- Atsargiai nuimkite ant stalo pastatomą stovą nuo televizoriaus arba LCD monitoriaus, kad jis nenuvirstų ir nesugadintų televizoriaus arba LCD monitoriaus, kuris yra ant jo uždėtas, paviršius.

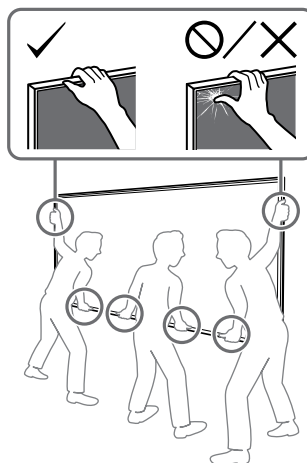
TV arba LCD monitoriaus tvirtinimas prie sienos

Tik KD-85X8xL / 85X8xBL /
75X8xL / 75X8xBL, KM-85X8xL /
75X8xL, XR-85X9xL / 75X9xL,
XRM-85X9xL / 75X9xL

ĮSPĖJIMAS

- Dideliam TV arba LCD monitoriui gabenti reikia dviejų ar daugiau žmonių (trijų ar daugiau žmonių reiktų gabenant 189,3 cm (75 colių) ar didesnį TV arba LCD monitorių) (išskyrus Egiptą).

Dideliam TV arba LCD monitoriui gabenti reikia dviejų ar daugiau žmonių (trijų ar daugiau žmonių reiktų gabenant 75 colių (189,3 cm) ar didesnį TV arba LCD monitorių) (tik Egiptui).



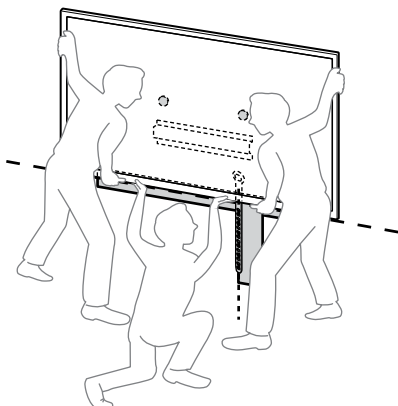
1 Televizoriaus arba LCD monitoriaus pakėlimas.

- Skriemulių ② vietą pakabinimui ant pagrindo (20) ① arba pagrindo adapterio ① žr. „Pagrindo adapterio ① tvirtinimo vieta“, 19 psl.
- Kai laikote televizorių arba LCD monitorių, įsitikinkite, kad televizoriaus arba LCD monitoriaus nugarėlė liečia pagrindą (20) ① ar pagrindo adapterį ①.

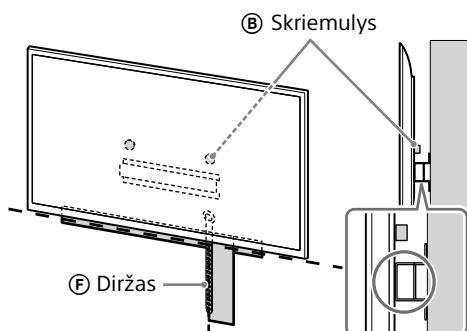
Pastaba

- Saugiai laikykite televizorių arba LCD monitorių abiem rankomis ir užtikrinkite, kad televizoriaus arba LCD monitoriaus diržas ② ir apatinė dalis būtų sulygiuota maskavimo juosta.

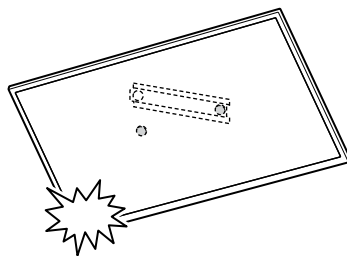
- Neškite televizorių arba LCD monitorių trise, ir dar reikalingas prieš televizorių arba LCD monitorių einantis žmogus, kuris vadovautų kitiems ir pakoreguotų padėtį.



- Būkite labai atsargūs montuodami televizorių arba LCD monitorių ant sienos, ypač turi saugotis žmogus, kuris palaiko televizorių arba LCD monitorių iš apačios, nes televizoriaus arba LCD monitoriaus komplektas gali nukristi ir smarkiai ar net mirtinai sužeisti.



- Lėtai atleiskite abi rankas įsitikindami, kad televizorius arba LCD monitorius nekrenta.

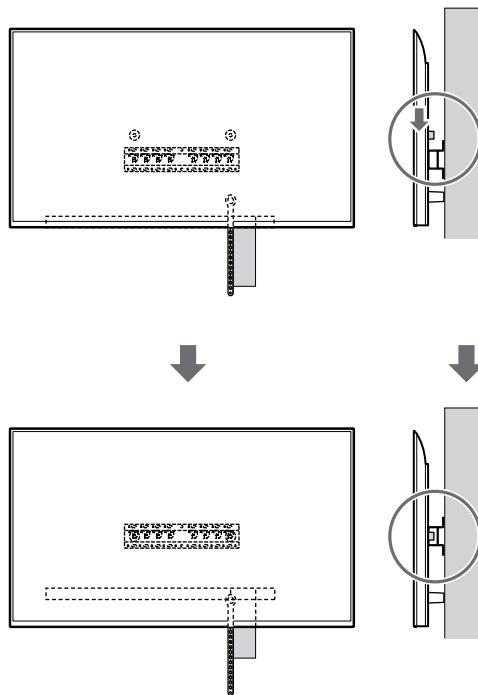
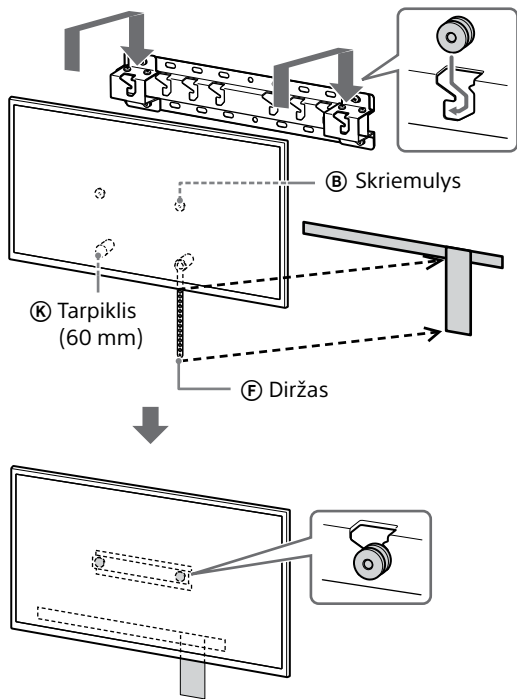


- Sumontavę televizorių arba LCD monitorių ant sienos, nuplėškite maskuojamą juostą, pvz., nuo sienos.

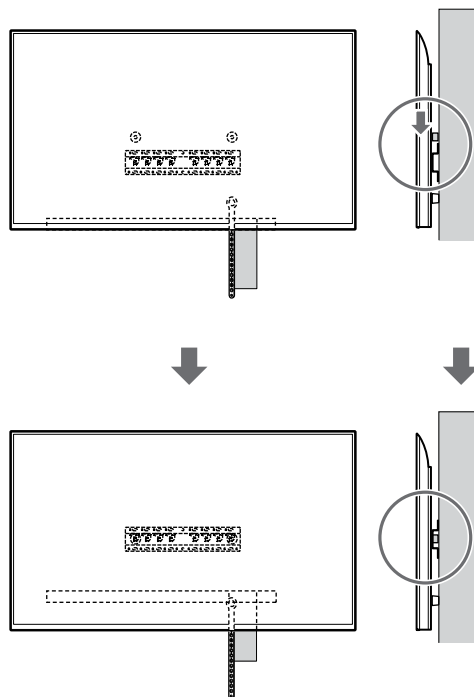
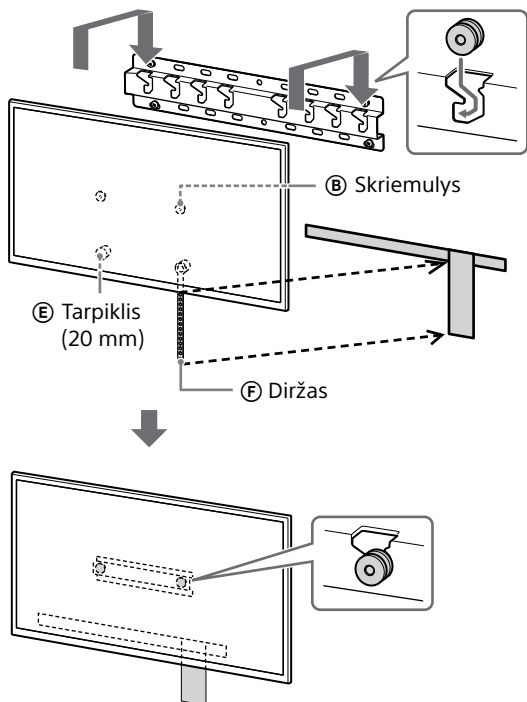
2 Televizoriaus arba LCD monitoriaus montavimas ant pagrindo (20) A ar pagrindo adapterio 1.

- Atsargiai leiskite televizorių arba LCD monitorių ir prie televizoriaus arba LCD monitoriaus nugarėlės pritvirtintus skriemulius B pakabinkite ant pagrindo (20) A arba pagrindo adapterio 1. Kabindami įsitikinkite, kad tinkama angų formą.
- Sumontavę TV arba LCD monitorių ant sienos, įsitikinkite, kad skriemuliai B tvirtai užfiksuoti pagrinde (20) A arba ant pagrindo adapterio 1.

Jei pasirenkamas standartinis tvirtinimas (2-a):

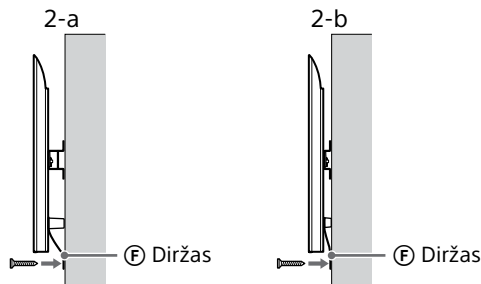


Jei pasirenkamas kompaktiškas tvirtinimas (2-b):



3 TV arba LCD monitoriaus apačios apsauga nuo pakrypimo.

- Paimkite diržą ⑥ ir tvirtai pritvirtinkite prie sienos.



- Naudokite 5 mm skersmens arba atitinkamą sraigą (nepridėtą).

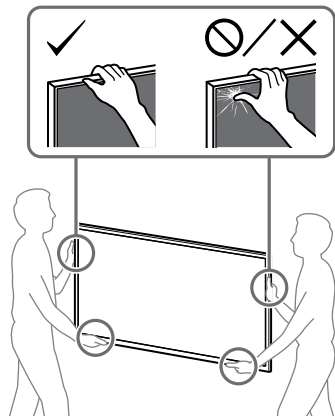
Pastaba

- Pabandykite nespipriai patraukti TV arba LCD monitoriaus apačią tiesiai į save, kad įsitikintumėte, jog jis nejuda. Jei jis nors kiek juda – vadinasi, nėra teisingai pritvirtintas, ir diržą ⑥ reikia gerai sutvirtinti iš naujo.

Išskyrus KD-85X8xL / 85X8xBL / 75X8xL / 75X8xBL, KM-85X8xL / 75X8xL, XR-85X9xL / 75X9xL, XRM-85X9xL / 75X9xL

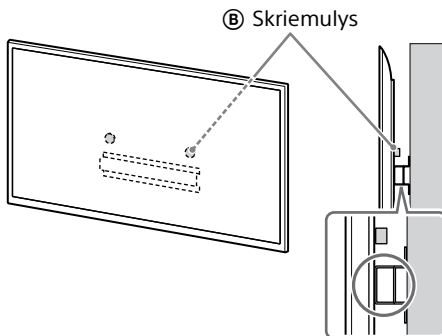
ĮSPĖJIMAS

- Dideliam TV arba LCD monitoriui gabenti reikia dviejų ar daugiau žmonių (trijų ar daugiau žmonių reiktų gabenant 189,3 cm (75 colių) ar didesnį TV arba LCD monitorių) (išskyrus Egiptą). Dideliam TV arba LCD monitoriui gabenti reikia dviejų ar daugiau žmonių (trijų ar daugiau žmonių reiktų gabenant 75 colių (189,3 cm) ar didesnį TV arba LCD monitorių) (tik Egiptui).



1 Televizoriaus arba LCD monitoriaus pakėlimas.

- Skriemulių ⑧ vietą pakabinimui ant pagrindo (20) ① arba pagrindo adapterio ① žr. „Pagrindo adapterio ① tvirtinimo vieta“, 19 psl.
- Kai laikote televizorių arba LCD monitorių, įsitikinkite, kad televizoriaus arba LCD monitoriaus nugarėlė liečia pagrindą (20) ① ar pagrindo adapterį ①.

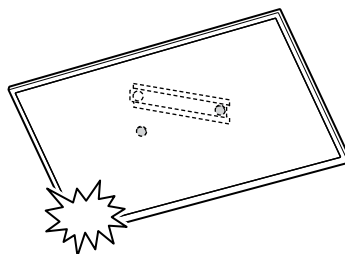


Pastaba

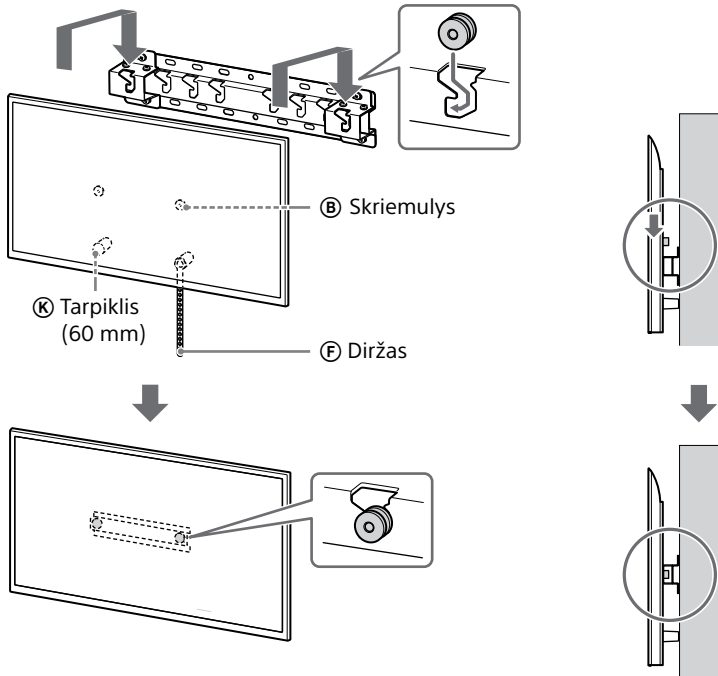
- Tvirtai laikykite televizorių arba LCD monitorių dviem rankom.

2 Televizoriaus arba LCD monitoriaus montavimas ant pagrindo (20) ① ar pagrindo adapterio ①.

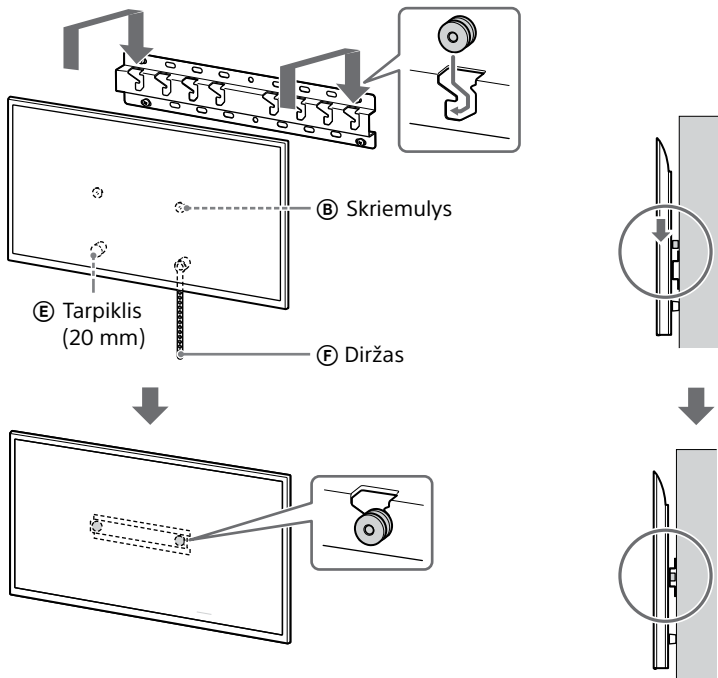
- Atsargiai leiskite televizorių arba LCD monitorių ir prie televizoriaus arba LCD monitoriaus nugarėlės pritvirtintus skriemulius ⑧ pakabinkite ant pagrindo (20) ① arba pagrindo adapterio ①. Kabindami įsitikinkite, kad tinkama angų formą.
- Sumontavę TV arba LCD monitorių ant sienos, įsitikinkite, kad skriemuliai ⑧ tvirtai užfiksuoti pagrinde (20) ① arba ant pagrindo adapterio ①.
- Lėtai atleiskite abi rankas įsitikindami, kad televizorius arba LCD monitorius nekrenta.



Jei pasirenkamas standartinis tvirtinimas (2-a):

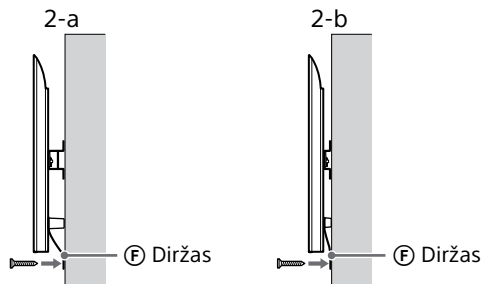


Jei pasirenkamas kompaktiškas tvirtinimas (2-b):



3 TV arba LCD monitoriaus apačios apsauga nuo pakrypimo.

- Paimkite diržą ⑥ ir tvirtai pritvirtinkite prie sienos.



- Naudokite 5 mm skersmens arba atitinkamą sraigatą (nepridėtas).

Pastaba

- Pabandykite nestipriai patraukti TV arba LCD monitoriaus apačią tiesiai į save, kad įsitikintumėte, jog jis nejuda. Jei jis nors kiek juda – vadinasi, nėra teisingai pritvirtintas, ir diržą ⑥ reikia gerai sutvirtinti iš naujo.

Montavimo darbų užbaigimo patvirtinimas

Patikrinkite toliau nurodytus dalykus.

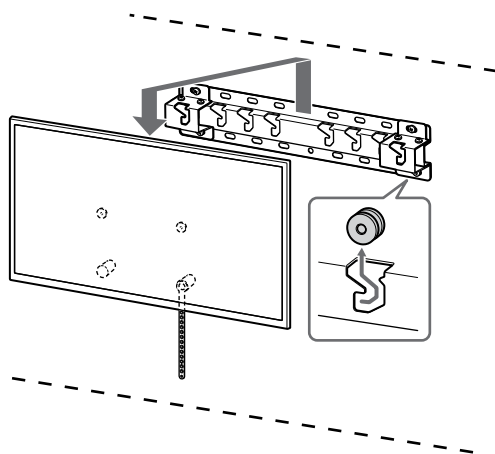
- Skriemuliai ③ tvirtai kabo ant pagrindo (20) ① arba pagrindo adapterio ①.
- Ar laidai ir kabeliai nėra susisukę ar suspausti.
- Ar diržas ⑥ yra sandarus, be plyšių.

ĮSPĖJIMAS

- Neteisingai nutiesus KS maitinimo laidą ar kitus kabelius, galima patirti elektros smūgį, įvykus trumpajam jungimui. Dėl saugumo patvirtinkite, kad montavimo darbai baigti.

Kita informacija

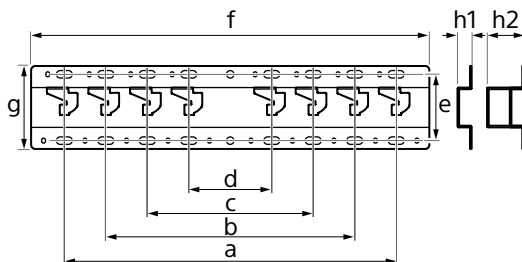
Nuimdami TV arba LCD monitorių, anksčiau aprašytą procedūrą atlikite atvirkščia tvarka.



ĮSPĖJIMAS

- Dideliam TV arba LCD monitoriui gabenti reikia dviejų ar daugiau žmonių (trijų ar daugiau žmonių reikėtų gabenant 189,3 cm (75 colių) ar didesnį TV arba LCD monitorių) (išskyrus Egiptą). Dideliam TV arba LCD monitoriui gabenti reikia dviejų ar daugiau žmonių (trijų ar daugiau žmonių reikėtų gabenant 75 colių (189,3 cm) ar didesnį TV arba LCD monitorių) (tik Egiptui).

Techniniai duomenys



Matmenys: (apytiksliai) [mm]

- a : 400
- b : 300
- c : 200
- d : 100
- e : 80
- f : 480
- g : 100

- h1 : 20 (kompaktiškam tvirtinimui, 2-b)
- h2 : 60 (standartiniam tvirtinimui, 2-a)

Svoris (tik pagrindo): (apytiksliai) [kg]

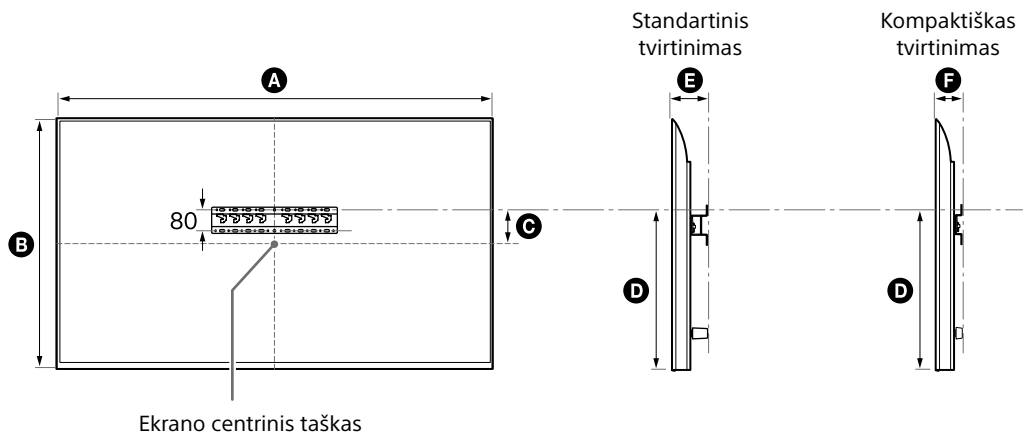
0,8

Dizainas ir techniniai duomenys gali būti keičiami be įspėjimo.

Nuorodos

Prie sienos tvirtinamo laikiklio instaliacijos ant sienos matavimas

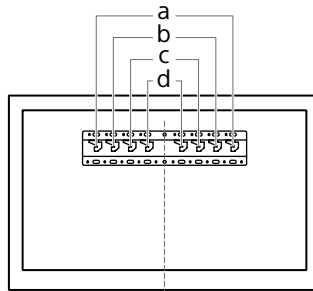
Atsižvelgiant į montażą, lentelėje nurodyti skaičiai gali šiek tiek skirtis.



(mm)

Modelio pavadinimas	A	B	C	D	E	F
KD-85X81BL / 85X80L KM-85X80L	1901	1090	43	592	138	96
XR-85X90L XRM-85X90L	1891	1085	58	607	125	83
KD-75X85L KM-75X85L	1671	960	21	508	123	81
KD-75X81BL / 75X80L KM-75X80L	1675	962	12	493	137	95
XR-75X90L XRM-75X90L	1668	959	21	508	123	81
KD-65X85L / 65X85BL KM-65X85L	1447	832	85	505	123	81
KD-65X81BL / 65X80L KM-65X80L	1452	836	76	494	135	93
XR-65X90L XRM-65X90L	1445	831	85	505	123	81
KD-55X85L KM-55X85L	1228	709	146	505	122	81
KD-55X81BL / 55X80L KM-55X80L	1233	713	133	494	135	93
XR-55X90L XRM-55X90L	1225	707	146	505	122	81
KD-50X80L KM-50X80L	1119	649	63	392	133	91
KD-43X80L KM-43X80L	964	563	111	392	133	91

Pagrindo adapterio ① tvirtinimo vieta

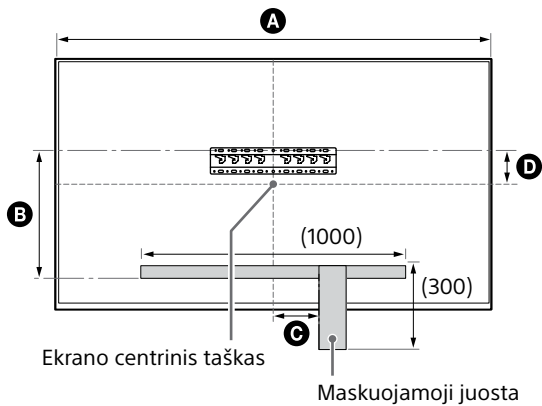


Modelio pavadinimas	Kabliuko vieta
KD-85X81BL / 85X80L KM-85X80L XR-85X90L XRM-85X90L	a
KD-75X85L / 75X81BL / 75X80L KM-75X85L / 75X80L XR-75X90L XRM-75X90L	b
KD-65X85L / 65X85BL / 65X81BL / 65X80L KM-65X85L / 65X80L XR-65X90L XRM-65X90L	b

Modelio pavadinimas	Kabliuko vieta
KD-55X85L / 55X81BL / 55X80L KM-55X85L / 55X80L XR-55X90L XRM-55X90L	b
KD-50X80L KM-50X80L	c
KD-43X80L KM-43X80L	c

LT

TV arba LCD monitoriaus tvirtinimo vietos žymėjimas ant sienos



(mm)

Modelio pavadinimas	A	B	C	D
KD-85X81BL / 85X80L KM-85X80L	1901	472	200	43
XR-85X90L XRM-85X90L	1891	486	200	58
KD-75X85L KM-75X85L	1671	388	150	21
KD-75X81BL / 75X80L KM-75X80L	1675	373	150	12
XR-75X90L XRM-75X90L	1668	388	150	21

Navodila za uporabo nosilca za stensko montažo Sony (SU-WL450)

Podprti modeli*:

* V imenih dejanskih modelov »x«/»xx« označuje številke in/ali znake, ki veljajo za posamezen model.

KD-85X8xL / 85X8xBL / 75X8xL / 75X8xBL / 65X8xL / 65X8xBL / 55X8xL / 55X8xBL / 50X8xL / 43X8xL

KM-85X8xL / 75X8xL / 65X8xL / 55X8xL / 50X8xL / 43X8xL

XR-85X9xL / 75X9xL / 65X9xL / 55X9xL

XRM-85X9xL / 75X9xL / 65X9xL / 55X9xL

Za kupce

Za namen zaščite izdelka in iz varnostnih razlogov družba Sony močno priporoča, da montažo televizorja ali monitorja LCD prepustite prodajalcem Sony ali pooblaščenim izvajalcem. Montaže ne poskušajte izvesti sami.

Za prodajalce Sony in pooblašcene izvajalce

Pri montaži, rednem vzdrževanju in pregledih tega izdelka bodite izredno pozorni na varnost.

Za montažo tega izdelka potrebujete dovolj znanja, to še posebej velja za določanje nosilnosti stene glede na težo televizorja ali monitorja LCD. Stensko montažo tega izdelka zaupajte prodajalcem Sony ali pooblaščenim izvajalcem, med samo montažo pa bodite posebej pozorni na varnost. Družba Sony ne odgovarja za nobeno škodo ali poškodbo, ki je posledica malomarnega ravnanja ali nepravilne montaže.

Zaradi varnosti in ustrezne montaže sledite Navodilom za uporabo nosilca za stensko montažo, Priročniku za pripravo televizorja ali monitorja LCD in napotkom v teh navodilih.

Nosilec za stensko montažo

O varnosti

Zahvaljujemo se vam za nakup tega izdelka.

Za kupce

Vgradnja televizorja ali monitorja LCD na steno



OPOZORILO

MONTAŽO NAJ IZVEDE USPOSOBLJENO OSEBJE

Montažo tega izdelka lahko izvede samo osebe, ki je ustrezno usposobljeno za določanje nosilnosti zidu za težo televizorja ali monitorja LCD. Če televizor ali monitor LCD ni ustrezno zavarovan med izvajanjem montaže, lahko pade in povzroči resne poškodbe. Družba Sony ni odgovorna za nobeno škodo ali poškodbe, ki so posledica neustreznega rokovanja ali neustrezne montaže ali montaže izdelkov, ki niso navedeni tukaj. To ne vpliva na vaše (morebitne) pravice, ki jih imate kot potrošnik.

Za prodajalce Sony

Za vgradnjo tega izdelka potrebujete dovolj znanja. Obvezno temeljito preberite ta priročnik za vgradnjo, da boste lahko varno opravili vgradnjo. Podjetje Sony ne prevzema odgovornosti za kakršno koli škodo ali telesne poškodbe, ki nastale zaradi nepravilnega ravnanja ali vgradnje. Po vgradnji dajte ta priročnik kupcu.

Ta priročnik z navodili opisuje pravilno ravnanje z izdelkom in daje pomembna varnostna navodila za preprečevanje nesreč. Sami ste odgovorni, da pozorno preberete in v celoti razumete ter upoštevate vsa navodila v teh navodilih za uporabo. V nasprotnem primeru lahko pride do resnih telesnih poškodb ali škode na lastnini, zaradi česar lahko pride do izničenja garancije. Ta priročnik shranite za uporabo v prihodnje.

Izdelki Sony so razviti tako, da so varni. Vseeno pa lahko pri nepravilni uporabi izdelkov pride do hudih telesnih poškodb zaradi požara, električnega udara, prevračanja izdelka ali padca izdelka. Za preprečevanje takih nesreč obvezno upoštevajte varnostna navodila.

POZOR

Predpisani izdelki

Ta nosilec za stensko montažo je namenjen za uporabo s predpisanimi televizorji ali monitorji LCD. Pri televizorjih ali monitorjih LCD glejte Referenčni priročnik, da vidite, ali lahko uporabljate nosilec za stensko montažo.

Za kupce

OPOZORILO

Če ne upoštevate naslednjih varnostnih navodil, lahko pride do hudih telesnih poškodb ali smrti zaradi požara, električnega udara ali padca izdelka.

Vgradnjo prepustite pooblaščenim izvajalcem in pri tem pazite, da v bližini ni majhnih otrok.

Če nosilec za stensko montažo ali televizor ali monitor LCD nista pravilno vgrajena, lahko pride do naslednjih nesreč. Poskrbite, da vgradnjo opravijo pooblaščeni izvajalci.

- Televizor ali monitor LCD lahko pade in povzroči hudo telesno poškodbo, na primer podplutbo ali zlom.
- Če je stena, na katero je vgrajen nosilec za stensko montažo, nestabilna, neravna ali nepravokotna na tla, lahko enota pade in povzroči telesne poškodbe ali materialno škodo. Stena mora prenesti najmanj štirikratno težo televizorja ali monitorja LCD.
(Za težo televizorja ali monitorja LCD glejte njegov Referenčni priročnik.)
- Če vgradnja nosilca za stensko montažo ni dovolj trdna, lahko enota pade in povzroči telesne poškodbe ali materialno škodo.

Selitev ali snemanje televizorja ali monitorja LCD prepustite pooblaščenim izvajalcem.

Če televizor ali monitor LCD prevažajo ali snemajo osebe, ki niso pooblaščeni izvajalci, lahko pade in povzroči telesne poškodbe ali materialno škodo. Za prevoz velikega televizorja ali monitorja LCD sta potrebni dve ali več oseb (tri osebe ali več za 189,3 cm (75 palcev) televizije ali monitor LCD in večje) (razen za Egipt).

Za prevoz velikega televizorja ali monitorja LCD sta potrebni dve ali več oseb (tri osebe ali več za 75 palcev (189,3 cm) televizije ali monitor LCD in večje) (samo za Egipt).

Ne odstranite vijakov itd., ko vgradite televizor ali monitor LCD.

Sicer lahko televizor ali monitor LCD pade in povzroči telesne poškodbe ali materialno škodo.

Ne predelujte delov nosilca za stensko montažo.

Sicer lahko nosilec za stensko montažo pade in povzroči telesne poškodbe ali materialno škodo.

Ne vgradite opreme, ki se razlikuje od predpisanega izdelka.

Ta nosilec za stensko montažo je namenjen za uporabo samo s predpisanimi izdelki. Če namestite opremo, ki ni predpisana, lahko pade ali se polomi in povzroči telesne poškodbe ali materialno škodo.

Na nosilec za stensko montažo ne nameščajte nobenega drugega bremena kot televizor ali monitor LCD. Televizorja ali monitorja LCD ne tresite v smeri levo/desno ali navzgor/navzdol.

Sicer lahko televizor ali monitor LCD pade in povzroči telesne poškodbe ali materialno škodo.

Na televizor ali monitor LCD se ne naslanjajte in se nanj ne obešajte.

Na televizor ali monitor LCD se ne naslanjajte in se nanj ne obešajte, saj lahko pade na vas in povzroči hude telesne poškodbe.

POZOR

Če ne upoštevate naslednjih varnostnih navodil, lahko pride do telesnih poškodb ali materialne škode.

- Neuporabljene dele shranite na varnem mestu za prihodnjo uporabo. Hranite jih zunaj dosega otrok.

Izdelka med čiščenjem in vzdrževanjem ne obravnavajte s preveliko silo.

Na zgornjo stran televizorja ali monitorja LCD ne delujte s preveliko silo. Sicer lahko televizor ali monitor LCD pade in povzroči telesne poškodbe ali materialno škodo.

Varnostna opozorila

- Če dolgo uporabljate televizor ali monitor LCD, nameščen na nosilcu za stensko montažo, se lahko stena za ali nad televizorjem ali monitorjem LCD razbarva ali pa se lahko odlepi tapeta, odvisno od materiala stene.
- Če odstranite na steno vgrajeni nosilec za stensko montažo, ostanejo luknje za vijake.
- Nosilca za stensko montažo ne uporabljate na mestu, kjer bi lahko bil izpostavljen mehanskim tresljajem.

Vgradnja nosilca za stensko montažo

Za prodajalce Sony

OPOZORILO

Ta navodila so namenjena samo za prodajalce Sony. Obvezno preberite zgornja varnostna navodila in bodite med vgradnjo, vzdrževanje ter preverjanjem tega izdelka posebej pozorni na varnost.

Nosilca za stensko montažo ne namestite na stenske površine, kjer bi vogali ali stranice televizorja ali monitorja LCD štrleli stran od površine stene.

Nosilca za stensko montažo ne namestite na stenske površine, kot so stebri, kjer bi vogali ali stranice televizorja ali monitorja LCD štrleli stran od površine stene. Če se oseba ali predmet zadane ob štrleči vogal ali stranico televizorja ali monitorja LCD, lahko povzroči telesne poškodbe ali materialno škodo.

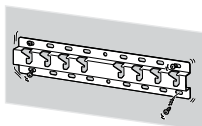


Televizorja ali monitorja LCD ne vgradite nad ali pod klimatsko napravo.

Če je televizor ali monitor LCD dolgo izpostavljen puščanju vode ali zračnim tokovom iz klimatske naprave, lahko zato pride do požara, električnega udara ali okvare na televizorju ali monitorju LCD.

Nosilec za stensko montažo obvezno trdno vgradite na steno po navodilih v teh navodilih za uporabo.

Če je kateri od vijakov razrahljan ali pade, lahko nosilec za stensko montažo pade in povzroči telesne poškodbe ali materialno škodo. Obvezno uporabite primerne vijake za material stene in trdno vgradite enoto z najmanj štirimi vijaki premera 8 mm (ali enakovrednimi).



Obvezno pravilno uporabite priložene vijake in pritrditvene dele, skladno z navodili v tem priročniku z navodili. Če uporabite druge dele, lahko televizor ali monitor LCD pade in koga telesno poškoduje ali pa se lahko poškoduje televizor ali monitor LCD.

Obvezno pravilno sestavite nosilec po navodilih, ki so razložena v teh navodilih za uporabo.

Če je kateri od vijakov razrahljan ali pade, lahko televizor ali monitor LCD pade in povzroči telesne poškodbe ali škodo na televizorju ali monitorju LCD.

Vijake obvezno trdno zategnite na predvidenem mestu.

Če tega ne storite, lahko televizor ali monitor LCD pade in koga telesno poškoduje ali pa se lahko poškoduje televizor ali monitor LCD.

Pazite, da med vgradnjo televizorja ali monitorja LCD ne izpostavite udarcem.

Če je televizor ali monitor LCD izpostavljen udarcem, lahko pade ali se polomi. To lahko povzroči telesne poškodbe.

Televizor ali monitor LCD obvezno vgradite na navpično in ravno steno.

Sicer lahko televizor ali monitor LCD pade in povzroči telesne poškodbe.

Po pravilni vgradnji televizorja ali monitorja LCD pravilno pritrdite kable.

Če se ljudje ali predmeti zapletejo v kable, lahko to koga telesno poškoduje ali pa se lahko poškoduje televizor ali monitor LCD.

Ne dovolite, da bi prihajalo do stiskanja napajalnega ali povezovalnih kablov.

Če se napajalni ali povezovalni kabli stisnejo med enoto in steno ali se na silo zvijajo ali upogibajo, se lahko razkrijejo notranji vodniki, kar lahko povzroči kratak stik ali električno prekinitev. To lahko povzroči požar ali električni udar.



Vijaki za pritrditev nosilca za stensko montažo na steno niso priloženi.

Pri vgradnji nosilca za stensko montažo uporabite vijake, ki so primerni za material in zgradbo stene.

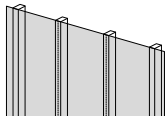
Pred začetkom

- Ilustracije televizorja ali monitorja LCD, prikazane v tem priročniku, so primeri, ki se uporabljajo za jasne razlage postopkov. Zaradi tega se lahko slike razlikujejo od dejanskega televizorja ali monitorja LCD.

Iz česa je izdelana vaša stena?

Najprej preverite vrsto stene, na katero želite namestiti televizor ali monitor LCD.

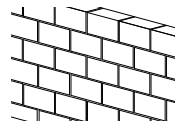
Gips plošče s tramovi



Varnostna opozorila

- Največja debelina gips plošč: 16 mm.
- Zagotovite, da so dimenzije notranjih lesenih tramov vsaj 51 mm × 102 mm za splošno ali 38 mm × 89 mm za nominalno.

Trden beton ali betonski blok



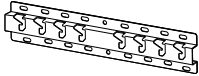








Varnostna opozorila

- Nosilec za stensko montažo namestite neposredno na trdno betonsko steno.
- Zagotovite, da je debelina trdne betonske stene vsaj 203 mm.
- Zagotovite, da so dimenzije posameznega betonskega bloka vsaj 203 mm × 203 mm × 406 mm.




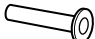

Preverjanje delov

Priloženo pri SU-WL450


- Preverite, ali so vsi deli priloženi.

<p>Ⓐ Podstavek (20) (x1)</p> 	<p>Ⓑ Škripec (x2)</p> 	<p>Ⓒ Vijak (+PSW 6 x 20) (x4)</p> 	<p>Ⓔ Distančnik (20 mm) (x2)</p> 
<p>Ⓕ Jermen (x1)</p> 	<p>Ⓘ Prilagodilnik podstavka (x2)</p> 	<p>Ⓙ Vijak (+PSW 4 x 10) (x8)</p> 	<p>Ⓚ Distančnik (60 mm) (x2)</p> 
<p>Ⓛ Vijak (+PSW 6 x 50) (x2)</p> 			

- Ti deli se ne smejo uporabljati za vaš model.

<p>ⓓ Vijak (+PSW 4 x 20) s pušo (x2)</p> 	<p>Ⓦ Puša (20) (M4) (x2)</p> 	<p>ⓓ Vijak (+PSW 4 x 20) (x2)</p> 	<p>ⓓ Puša (M4) (x2)</p> 
<p>Ⓝ Vijak (+PSW 4 x 50) (x2)</p> 			



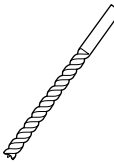
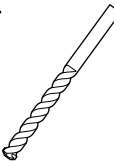
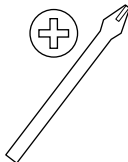
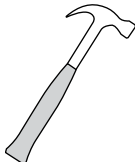
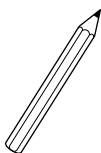
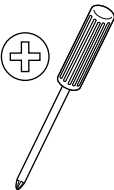
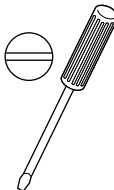
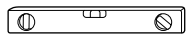




Priloženo televizorju ali monitorju LCD

<p>Priključek za stensko montažo VS (x4)*</p> 
--

- * Samo za omejene regije/države/modele.

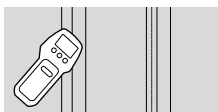
Priprava za vgradnjo

- Pred montažo imejte pri roki Referenčni priročnik za televizor ali monitor LCD in Priročnik za pripravo.
- Potrdite mesto vgradnje televizorja ali monitorja LCD.
- Pripravite najmanj štiri vijake premera 8 mm in en premera 5 mm ali enakovredne (niso priloženi). Izberite vijake, ki so primerni za material stene.
- Pripravite naslednja orodja:

*1 		 5,5 mm	 10 mm	
*2 		 1,5 N·m {15 kgf·cm}	*3  1,5 N·m {15 kgf·cm}	
	*2  (×4)	 (×4) 8 mm × 60 mm	 5 mm	
*4 				

SI

*1 Samo za gips plošče s tramovi



*2 Samo za trden beton ali betonski blok

*3 Odvisno od modelov

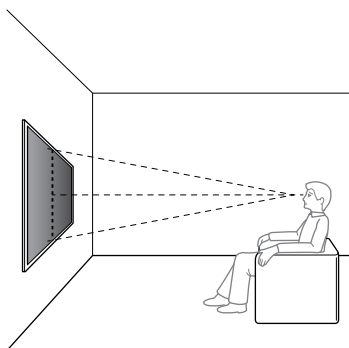
*4 Samo za televizor ali monitor LCD velikosti 189,3 cm (75 palcev) in več (razen za Egipt)
Samo za televizor ali monitor LCD velikosti 75 palcev (189,3 cm) in več (samo za Egipt)

Montaža nosilca za stensko montažo na steno

- 1** Odločite se za mesto vgradnje. Na steni naj bo dovolj prostora za televizor ali monitor LCD, stena pa mora prenesti najmanj štirikratno težo televizorja ali monitorja LCD. Težo televizorja ali monitorja LCD preverite v Referenčnem priročniku televizorja ali monitorja LCD.

Opomba

- Pri stenski montaži televizorja ali monitorja LCD se zgornja stranica televizorja ali monitorja LCD malce nagne naprej.
- Priporočamo vam, da preverite položaj televizorja ali monitorja LCD v okolju, kjer ga nameravate uporabljati.



- 2** Izberite slog pritrditve na steno, kot je prikazano spodaj.

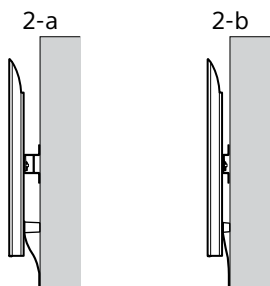
2-a: Standardni nosilec

2-b: Tanki nosilec

- Glejte »Meritev za namestitev Nosilca za stensko montažo« na strani 18.

OPOZORILO

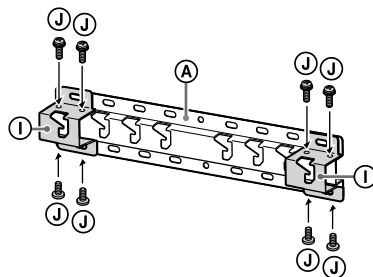
- Če izberete 2-b, je dostop do zadnjih priključkov omejen.



- 3** Če je izbran standardni nosilec (2-a):

Namestite Prilagodilnik podstavka ① z uporabo vijaka (+ PSW 4 × 10) ② na podstavek (20) ③.

- Glejte »Prilagodilnik podstavka ① mesto vgradnje« na strani 19.



Npr., namestitev Prilagodilnika podstavka ① na mestu »a«

- Če je izbran tanki nosilec (2-b): Preskočite ta korak.

- 4** Določite položaje vijakov za vgradnjo podstavka (20) ③.

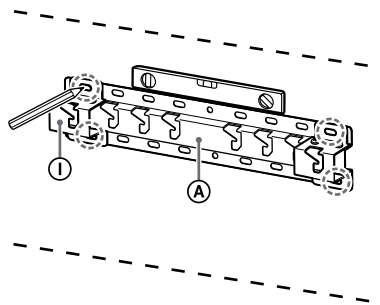
- Glejte »Tehnični podatki« na strani 17.

OPOZORILO

- Določite nosilnost stene, na katero boste namestili televizor ali monitor LCD. Po potrebi ustrezno okrepite steno.
- Stena mora prenesti najmanj štirikratno težo televizorja ali monitorja LCD. (Za težo televizorja ali monitorja LCD glejte njegov Referenčni priročnik.)

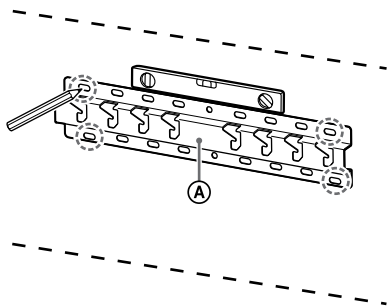
- Če je izbran standardni nosilec (2-a):

Uporabite položaje izvrtin na Prilagodilniku podstavka ①.



Npr., označevanje na lokaciji »a«, da se prilaga podstavku (20) ③

Če je izbran tanki nosilec (2-b):

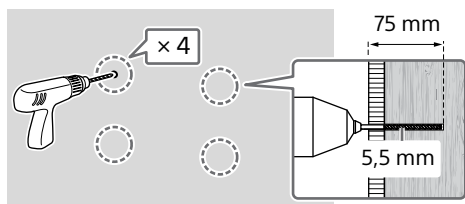


Npr., označevanje na lokaciji »a«, da se prilega podstavku (20) A

5 Na oznakah izvrtajte pomožne luknje.

Prepričajte se, da na steno izvrtate luknje, ki so dovolj močne, da podpirajo najmanj štirikratno težo televizorja ali monitorja LCD.

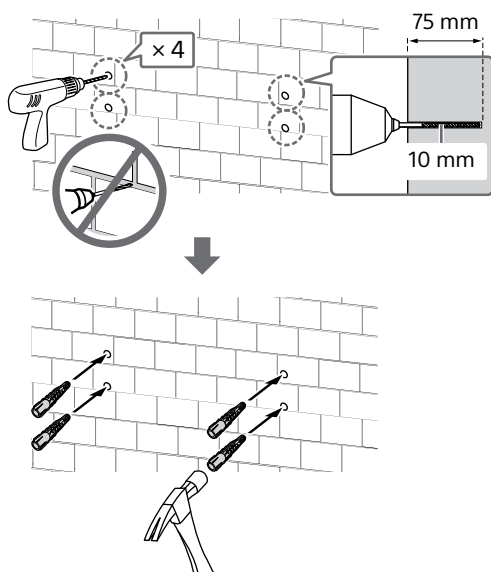
Vrtanje Gips plošče s tramovi:



Opomba

- Vodilne luknje morate zvrtati do globine 75 mm z uporabo svedra s premerom 5,5 mm.

Vrtanje na trden beton ali betonski blok:



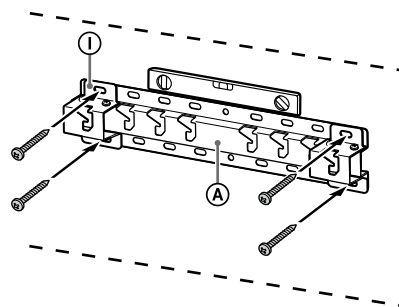
6 Namestite podstavek (20) A na steno z uporabo primernih vijakov (niso priloženi).

Opomba

- Pripravite najmanj štiri vijake premera 8 mm ali enakovredne (niso priloženi).
- Z vodno tehtnico preverite, ali je podstavek (20) A v vodoravni legi.

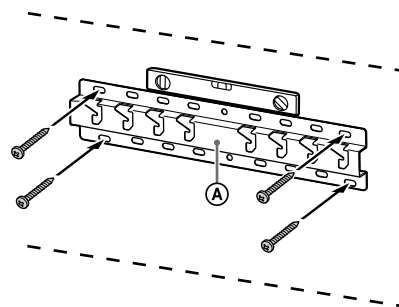
Če je izbran standardni nosilec (2-a):

Namestite štiri vijake na luknje prilagodilnika podstavka I s podstavkom (20) A.



Npr., podstavek (20) A na mestu »a«

Če je izbran tanki nosilec (2-b):



Npr., podstavek (20) A na mestu »a«

7 Samo KD-85X8xL / 85X8xBL / 75X8xL / 75X8xBL, KM-85X8xL / 75X8xL, XR-85X9xL / 75X9xL, XRM-85X9xL / 75X9xL

Na steni označite mesto vgradnje.

Za označevanje položaja televizorja ali monitorja LCD v bližini podstavka (20) A ali prilagodilnika podstavka I uporabite maskirni trak itd. (ni priložen).

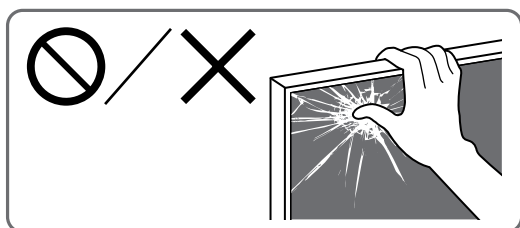
- Glejte »Stenska oznaka za mesto namestitve televizorja ali monitorja LCD« na strani 20.

Razen za KD-85X8xL / 85X8xBL / 75X8xL / 75X8xBL, KM-85X8xL / 75X8xL, XR-85X9xL / 75X9xL, XRM-85X9xL / 75X9xL
Preskočite ta korak.

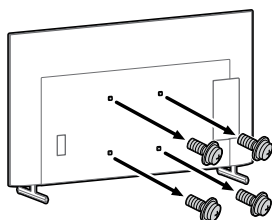
Priprava na vgradnjo televizorja ali monitorja LCD

Opomba

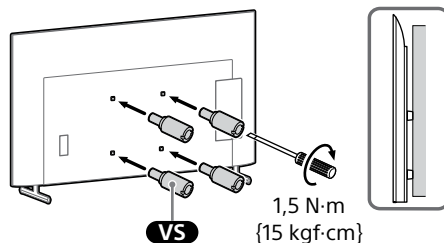
- Odstranjene vijake in neuporabljene dele shranite na varnem mestu, zunaj dosega otrok.



- 1 Pritrdite namizno stojalo, da bo televizor ali monitor LCD stal.
 - Glejte Priročnik za pripravo televizorja ali monitorja LCD.
- 2 Odstranite vijake s hrbtne stranice televizorja ali monitorja LCD.



- 3 Namestite priključek za stensko montažo **VS** (priložen televizorju ali monitorju LCD) na zadnji del televizorja ali monitorja LCD (da bo vzporedno s steno).



Opomba

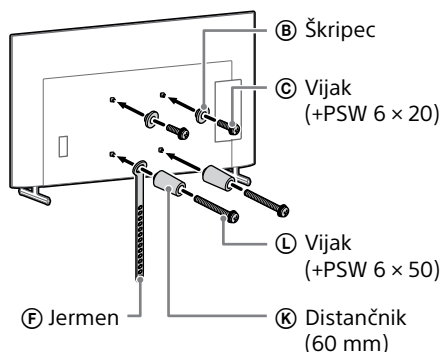
- Prepričajte se, da ste dobro pritrdili priključek za stensko montažo **VS**, ko ga pritrjujete na televizijo ali pa monitor LCD. Za namestitev priključka za stensko montažo **VS** uporabite le ploski izvijač. Uporaba drugačnega orodja lahko povzroči čezmerno zategovanje priključka za stensko montažo **VS** in poškodbe televizorja ali monitorja LCD.

- 4 Namestite dele za pritrditev Nosilca za stensko montažo. Preverite dele priloge, tako da se sklicujete na »Priloženo pri SU-WL450« v »Preverjanje delov« na strani 6.

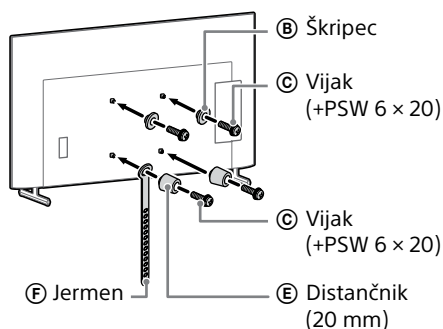
Opomba

- Dele za pritrditev trdno pritrdite z vijaki.
- Pri uporabi električnega izvijača navor nastavite na približno 1,5 N·m {15 kgf·cm}.

Če je izbran standardni nosilec (2-a):



Če je izbran tanki nosilec (2-b):



- 5 Na televizor ali monitor LCD priključite potrebne kable.**
Pred vgradnjo televizorja ali monitorja LCD na steno obvezno priključite kable. Ko je televizor ali monitor LCD vgrajen, kablov ne boste mogli priključiti.

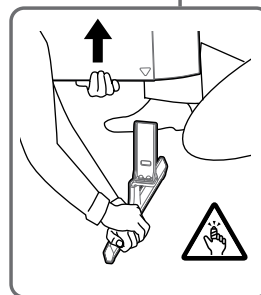
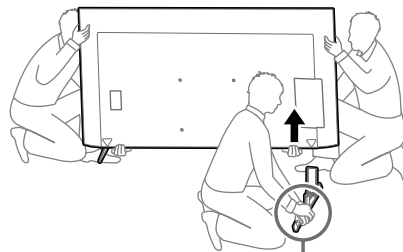
Opomba

- Napeljevanje kablov v steni prepustite pooblaščenemu izvajalcu.
- Še preden namestite napravo na zid, zvijte priključne kable, da ne boste hodili po njih.

- 6 Namizno stojalo odstranite s televizorja ali monitorja LCD.**
Naslednja ilustracija je primer postopka.

Razen za KD-75X85L / 65X85L / 65X85BL / 55X85L, KM-75X85L / 65X85L / 55X85L, XR-85X90L / 75X90L / 65X90L / 55X90L, XRM-85X90L / 75X90L / 65X90L / 55X90L

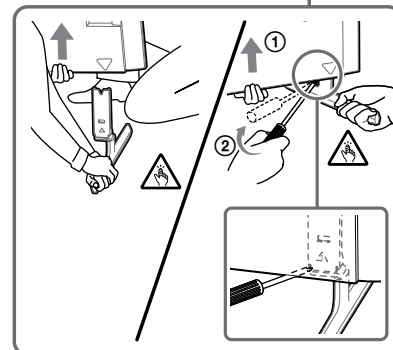
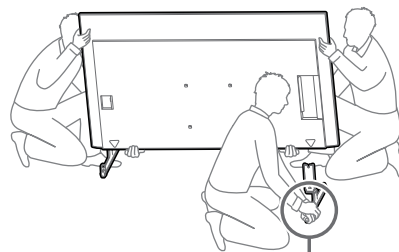
- Odstranite vsako stran namiznega stojala posebej. Namizno stojalo trdno primite z obema rokama, drugi pa naj dvignejo televizor ali monitor LCD.



- Ponovite prejšnji korak in odstranite drugo stran namiznega stojala.

Samo KD-75X85L / 65X85L / 65X85BL / 55X85L, KM-75X85L / 65X85L / 55X85L

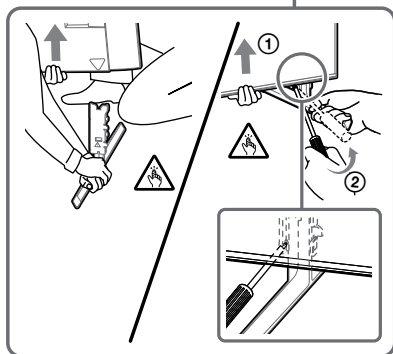
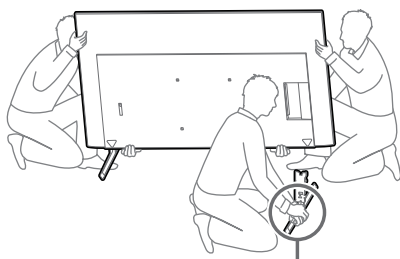
- Odstranite vsako stran namiznega stojala posebej. Namizno stojalo trdno primite z obema rokama, drugi pa naj dvignejo televizor ali monitor LCD.



- Ponovite prejšnji korak in odstranite drugo stran namiznega stojala.

Samo XR-85X90L / 75X90L / 65X90L / 55X90L, XRM-85X90L / 75X90L / 65X90L / 55X90L

- Odstranite vsako stran namiznega stojala posebej. Namizno stojalo trdno primite z obema rokama, drugi pa naj dvignejo televizor ali monitor LCD.



- Ponovite prejšnji korak in odstranite drugo stran namiznega stojala.

Opomba

- Za odstranjevanje namiznega stojala so potrebne najmanj tri osebe.
- Pazite, da pri odstranjevanju namiznega stojala s televizorja ali monitorja LCD ne uporabite prevelike sile, saj lahko sicer televizor ali monitor LCD pade, kar lahko povzroči telesne poškodbe ali škodo na televizorju ali monitorju LCD.
- Pri delu z namiznim stojalom bodite previdni, da preprečite škodo na televizorju ali monitorju LCD.
- Bodite previdni, ko dvignete televizor ali monitor LCD pri snemanju namiznega stojala, saj se lahko namizno stojalo prevrne in povzroči telesne poškodbe.
- Pri snemanju namiznega stojala s televizorja ali monitorja LCD bodite previdni, da ne pade in poškoduje površine, na kateri je televizor ali monitor LCD.

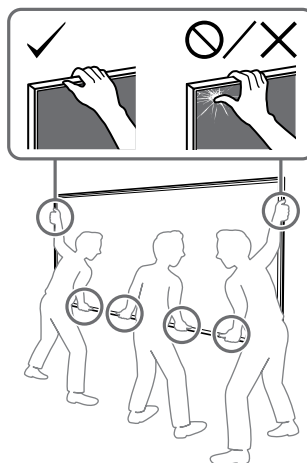
Namestitev televizorja ali monitorja LCD na steno

Samo KD-85X8xL / 85X8xBL / 75X8xL / 75X8xBL, KM-85X8xL / 75X8xL, XR-85X9xL / 75X9xL, XRM-85X9xL / 75X9xL

OPOZORILO

- Za prevoz velikega televizorja ali monitorja LCD sta potrebni dve ali več oseb (tri osebe ali več za 189,3 cm (75 palcev) televizije ali monitor LCD in večje) (razen za Egipt).

Za prevoz velikega televizorja ali monitorja LCD sta potrebni dve ali več oseb (tri osebe ali več za 75 palcev (189,3 cm) televizije ali monitor LCD in večje) (samo za Egipt).



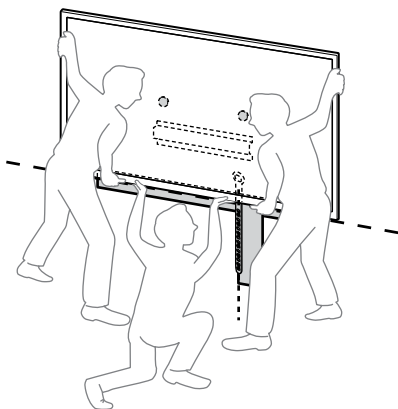
1 Dvignite televizor ali monitor LCD.

- Za lokacijo škripcev (Ⓢ), ki visijo na podstavku (20) (A) ali prilagodilniku podstavka (1), glejte »Prilagodilnik podstavka (1) mesto vgradnje« na strani 19.
- Ko držite televizor ali monitor LCD, poskrbite, da se zadnji del televizorja ali monitorja LCD dotika podstavka (20) (A) ali prilagodilnika podstavka (1).

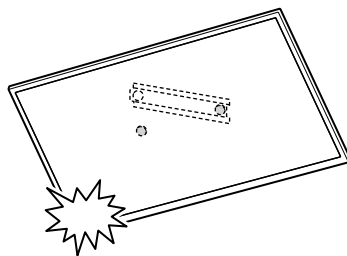
Opomba

- Televizor ali monitor LCD dobro držite z obema rokama in se prepričajte, da sta jermen (E) in dno televizorja ali monitorja LCD poravnana z maskirnim trakom.

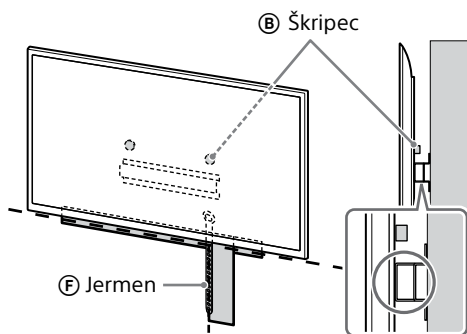
- Televizor ali monitor LCD nosite v troje, oseba, ki je pred televizorjem ali monitorjem LCD, pa naj druge usmerja, da prilagodijo položaj.



- Počasi sprostite obe roki, da zagotovite, da televizor ali monitor LCD ne pade.



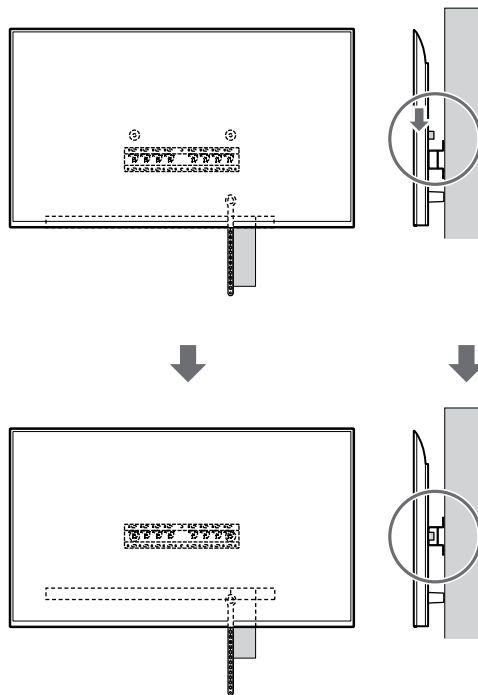
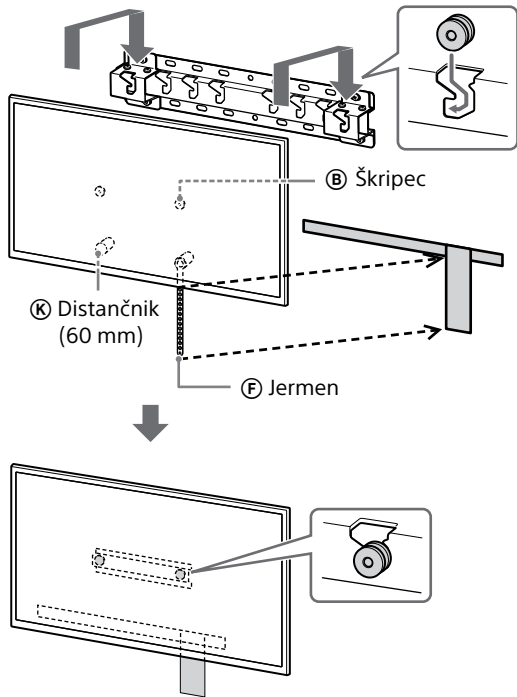
- Pri vgradnji televizorja ali monitorja LCD na steno bodite zelo previdni, še posebej za osebo, ki televizor ali monitor LCD podpira od spodaj, saj lahko televizor ali monitor LCD pade, kar lahko povzroči hude telesne poškodbe ali celo smrt.



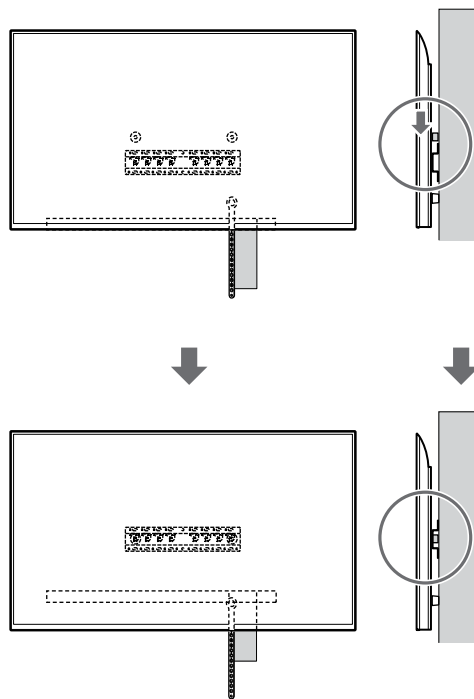
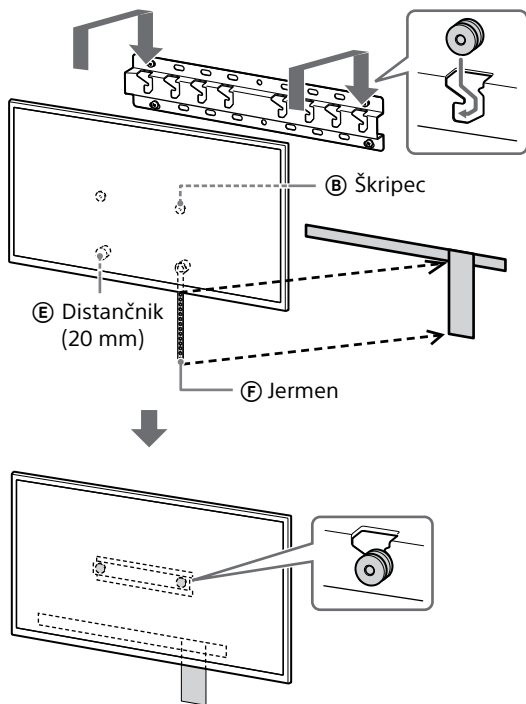
2 Televizor ali monitor LCD vgradite na podstavek (20) **A** ali prilagodilnik podstavka **I**.

- Televizor ali monitor LCD previdno spustite navzdol in škipce **B**, ki so pritrjeni na zadnjo stran televizorja ali monitorja LCD, obesite na podstavek (20) **A** ali prilagodilnik podstavka **I**, pri tem pa obvezno preverite obliko lukenj.
- Po vgradnji televizorja ali monitorja LCD na steno potrdite, da so škipci **B** trdno zatakneni v podstavek (20) **A** ali prilagodilnik podstavka **I**.

Če je izbran standardni nosilec (2-a):

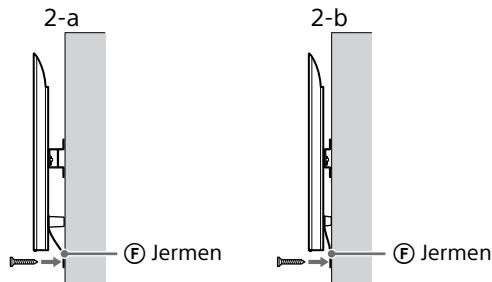


Če je izbran tanki nosilec (2-b):



3 Preprečevanje premikanja spodnjega dela televizorja ali monitorja LCD.

- Potegnite ohlapni del jermena (F) in ga dobro pritrdite na steno.



- Uporabite vijak premera 5 mm ali enakovrednega (ni priložen).

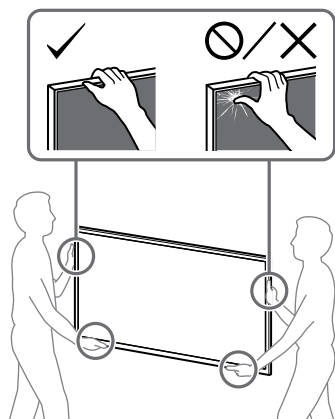
Opomba

- Spodnji del televizorja ali monitorja LCD poskusite potegniti malo k sebi, da se prepričate, da se ne bo premaknil naprej. Če se premika, ni pravilno pritrjen in morate znova trdno pritrditi jermen (F).

Razen za KD-85X8xL / 85X8xBL / 75X8xL / 75X8xBL, KM-85X8xL / 75X8xL, XR-85X9xL / 75X9xL, XRM-85X9xL / 75X9xL

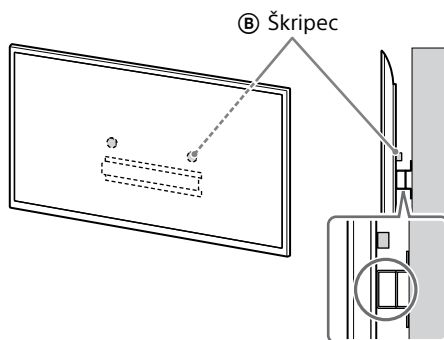
OPOZORILO

- Za prevoz velikega televizorja ali monitorja LCD sta potrebni dve ali več oseb (tri osebe ali več za 189,3 cm (75 palcev) televizije ali monitor LCD in večje) (razen za Egipt).
- Za prevoz velikega televizorja ali monitorja LCD sta potrebni dve ali več oseb (tri osebe ali več za 75 palcev (189,3 cm) televizije ali monitor LCD in večje) (samo za Egipt).



1 Dvignite televizor ali monitor LCD.

- Za lokacijo škripcev (B), ki visijo na podstavku (20) (A) ali prilagodilniku podstavka (1), glejte »Prilagodilnik podstavka (1) mesto vgradnje« na strani 19.
- Ko držite televizor ali monitor LCD, poskrbite, da se zadnji del televizorja ali monitorja LCD dotika podstavka (20) (A) ali prilagodilnika podstavka (1).

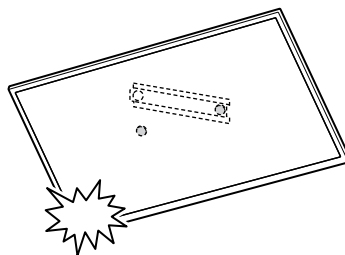


Opomba

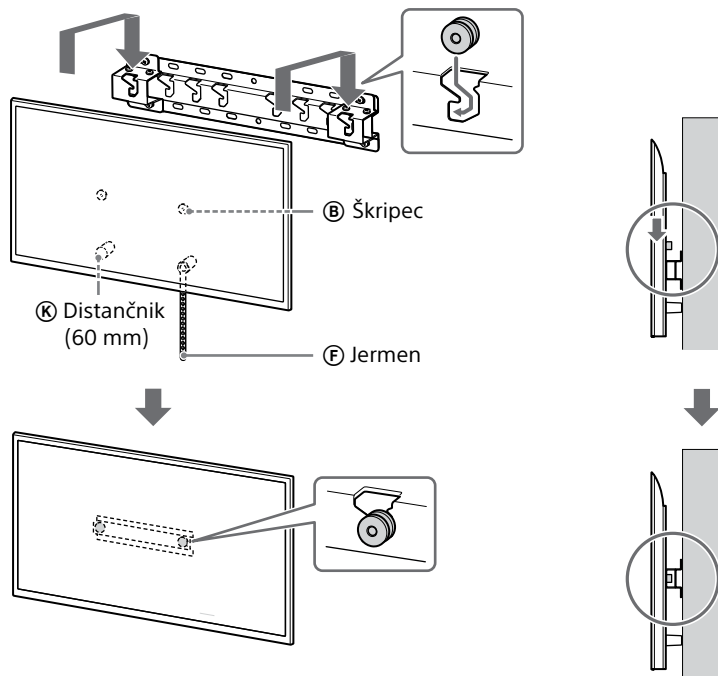
- Televizor ali monitor LCD trdno držite z obema rokama.

2 Televizor ali monitor LCD vgradite na podstavek (20) (A) ali prilagodilnik podstavka (1).

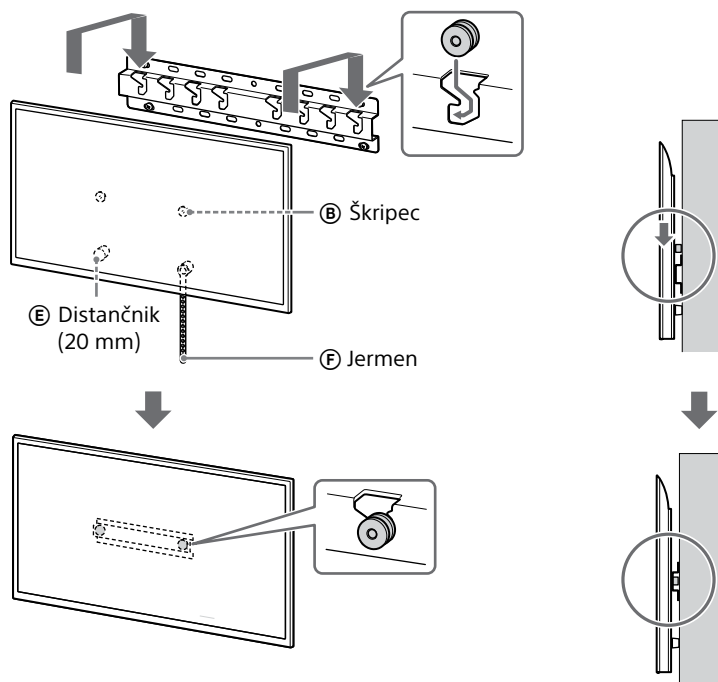
- Televizor ali monitor LCD previdno spustite navzdol in škripce (B), ki so pritrjeni na zadnjo stran televizorja ali monitorja LCD, obesite na podstavek (20) (A) ali prilagodilnik podstavka (1), pri tem pa obvezno preverite obliko lukenj.
- Po vgradnji televizorja ali monitorja LCD na steno potrdite, da so škripci (B) trdno zatakneni v podstavek (20) (A) ali prilagodilnik podstavka (1).
- Počasi sprostite obe roki, da zagotovite, da televizor ali monitor LCD ne pade.



Če je izbran standardni nosilec (2-a):

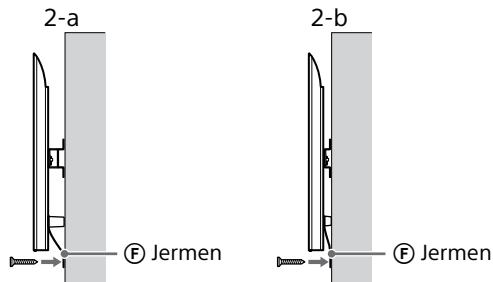


Če je izbran tanki nosilec (2-b):



3 Preprečevanje premikanja spodnjega dela televizorja ali monitorja LCD.

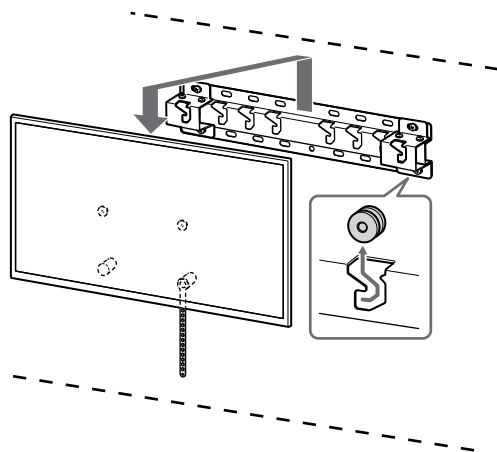
- Potegnite ohlapni del jermena (F) in ga dobro pritrdite na steno.



- Uporabite vijak premera 5 mm ali enakovrednega (ni priložen).

Opomba

- Spodnji del televizorja ali monitorja LCD poskusite potegniti malo k sebi, da se prepričate, da se ne bo premaknil naprej. Če se premika, ni pravilno pritrjen in morate znova trdno pritrditi jermen (F).



OPOZORILO

- Za prevoz velikega televizorja ali monitorja LCD sta potrebni dve ali več oseb (tri osebe ali več za 189,3 cm (75 palcev) televizije ali monitor LCD in večje) (razen za Egipt).

Za prevoz velikega televizorja ali monitorja LCD sta potrebni dve ali več oseb (tri osebe ali več za 75 palcev (189,3 cm) televizije ali monitor LCD in večje) (samo za Egipt).

Preverjanje vgradnje

Preverite naslednje točke.

- Škripci (B) so trdno zatakneni v podstavek (20) (A) ali prilagodilnik podstavka (1).
- Kabli niso zviti ali stisnjeni.
- Jermen (F) je napet.

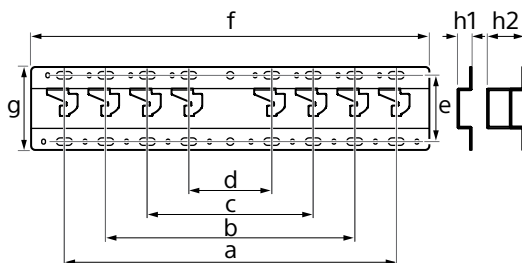
OPOZORILO

- Napačna postavitev izmeničnega napajalnega kabla itd. lahko povzroči požar ali električni udar zaradi kratkega stika. Poskrbite, da zaradi varnosti preverite vgradnjo.

Druge informacije

Pri odstranjevanju televizorja ali monitorja LCD opravite prejšnji postopek vgradnje v obratnem vrstnem redu.

Tehnični podatki



Mere: (približno) [mm]

a : 400
b : 300
c : 200
d : 100
e : 80
f : 480
g : 100

h1 : 20 (za tanki nosilec, 2-b)

h2 : 60 (za standardni nosilec, 2-a)

Teža (samo podstavek): (približno) [kg]

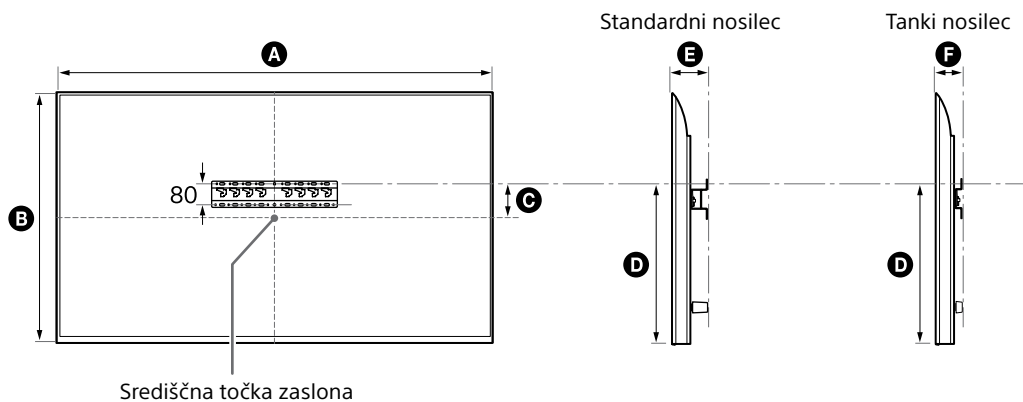
0,8

Zasnove in tehnični podatki se lahko kadar koli nenapovedano spremenijo.

Reference

Meritev za namestitev Nosilca za stensko montažo

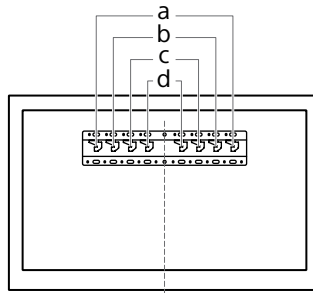
Vrednosti v tabeli se lahko rahlo razlikujejo glede na vrsto montaže.



(mm)

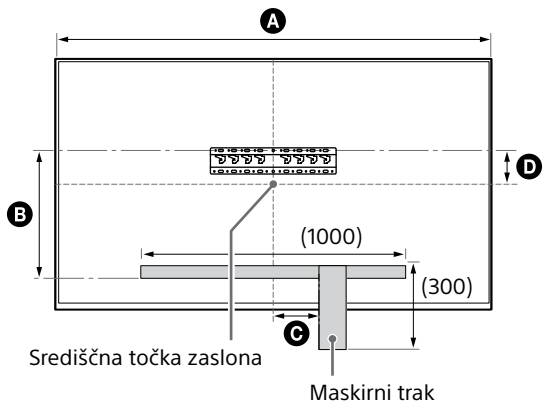
Naziv modela	A	B	C	D	E	F
KD-85X81BL / 85X80L KM-85X80L	1901	1090	43	592	138	96
XR-85X90L XRM-85X90L	1891	1085	58	607	125	83
KD-75X85L KM-75X85L	1671	960	21	508	123	81
KD-75X81BL / 75X80L KM-75X80L	1675	962	12	493	137	95
XR-75X90L XRM-75X90L	1668	959	21	508	123	81
KD-65X85L / 65X85BL KM-65X85L	1447	832	85	505	123	81
KD-65X81BL / 65X80L KM-65X80L	1452	836	76	494	135	93
XR-65X90L XRM-65X90L	1445	831	85	505	123	81
KD-55X85L KM-55X85L	1228	709	146	505	122	81
KD-55X81BL / 55X80L KM-55X80L	1233	713	133	494	135	93
XR-55X90L XRM-55X90L	1225	707	146	505	122	81
KD-50X80L KM-50X80L	1119	649	63	392	133	91
KD-43X80L KM-43X80L	964	563	111	392	133	91

Prilagodilnik podstavka ① mesto vgradnje



Naziv modela	Lokacija kavlja	Naziv modela	Lokacija kavlja
KD-85X81BL / 85X80L KM-85X80L XR-85X90L XRM-85X90L	a	KD-55X85L / 55X81BL / 55X80L KM-55X85L / 55X80L XR-55X90L XRM-55X90L	b
KD-75X85L / 75X81BL / 75X80L KM-75X85L / 75X80L XR-75X90L XRM-75X90L	b	KD-50X80L KM-50X80L	c
KD-65X85L / 65X85BL / 65X81BL / 65X80L KM-65X85L / 65X80L XR-65X90L XRM-65X90L	b	KD-43X80L KM-43X80L	c

Stenska oznaka za mesto namestitve televizorja ali monitorja LCD



(mm)

Naziv modela	A	B	C	D
KD-85X81BL / 85X80L KM-85X80L	1901	472	200	43
XR-85X90L XRM-85X90L	1891	486	200	58
KD-75X85L KM-75X85L	1671	388	150	21
KD-75X81BL / 75X80L KM-75X80L	1675	373	150	12
XR-75X90L XRM-75X90L	1668	388	150	21

Informacije za instalaciju Sony nosača za postavljanje na zid (SU-WL450)

Podržani modeli*:

* U stvarnim nazivima modela »x«/»xx« označava brojke i/ili slova specifične za pojedini model.

KD-85X8xL / 85X8xBL / 75X8xL / 75X8xBL / 65X8xL / 65X8xBL / 55X8xL / 55X8xBL / 50X8xL / 43X8xL

KM-85X8xL / 75X8xL / 65X8xL / 55X8xL / 50X8xL / 43X8xL

XR-85X9xL / 75X9xL / 65X9xL / 55X9xL

XRM-85X9xL / 75X9xL / 65X9xL / 55X9xL

Za korisnike

Radi zaštite proizvoda i iz sigurnosnih razloga, Sony svesrdno preporučuje da postavljanje Vašeg TV-a ili LCD monitora obave Sony trgovci ili ovlašteni dobavljači. Nemojte ga pokušavati postaviti sami.

Za Sony trgovce i dobavljače

Posvetite punu pozornost sigurnosti za vrijeme postavljanja, periodičkoga održavanja i ispitivanja ovoga proizvoda.

Za postavljanje ovoga proizvoda, naročito za određivanje čvrstoće zida za podnošenje težine TV-a ili LCD monitora, potrebna je odgovarajuća stručnost. Pobrinite se da se pričvršćivanje ovoga proizvoda na zid povjeri Sony trgovcima ili ovlaštenim dobavljačima, te da se za vrijeme postavljanja odgovarajuća pozornost posveti sigurnosti. Sony ne odgovara ni za kakvo oštećenje ili ozljedu uzrokovanu nepravilnim postupanjem ili postavljanjem.

Zbog sigurnosti i pravilne ugradnje, slijedite Upute nosača za postavljanje na zid, Vodič za postavljanje TV-a ili LCD monitora i upute iz ovog priručnika.

Nosač za postavljanje na zid

O sigurnosti

Zahvaljujemo na kupnji ovog proizvoda.

Za korisnike

Postavljanje TV-a ili LCD monitora na zid



UPOZORENJE

ZAHTIJEVA PROFESIONALNO POSTAVLJANJE

Proizvod treba postaviti isključivo profesionalni instalater koji je obučen za procjenu čvrstoće zida, odnosno može li izdržati težinu TV prijemnika ili LCD monitora. Ako nije pravilno učvršćen prilikom postavljanja, TV prijemnik ili LCD monitor može se prevrnuti i uzrokovati ozbiljne ozljede. Sony nije odgovoran za štete ili ozljede uzrokovane nepravilnim rukovanjem ili nepravilnim postavljanjem, ili instalacijom drugih proizvoda. To ne utječe na vaša statutorna prava.

Sonyjevim dobavljačima

Za postavljanje proizvoda potrebna je određena stručnost. Svakako pažljivo pročitajte korisnički priručnik da biste proizvod sigurno postavili. Tvrtka Sony nije odgovorna za štete ili ozljede uzrokovane neispravnim rukovanjem ili nepravilnim postavljanjem. Priručnik nakon postavljanja predajte kupcu.

Ovaj korisnički priručnik pokazuje kako pravilno rukovati proizvodom i sadrži važne mjere opreza neophodne za izbjegavanje nezgoda. Dužni ste pročitati, proučiti i slijediti sve upute iz korisničkog priručnika. U protivnom može doći do ozbiljnih ozljeda ili materijalne štete, ili poništenja jamstva. Priručnik zadržite za buduću upotrebu.

Sony proizvodi dizajnirani su sa sigurnošću u vidu. Međutim, ako se proizvod ne upotrebljava ispravno, to može dovesti do ozbiljne ozljede vatrom, do strujnog udara, prevrtanja proizvoda ili njegova pada. Svakako se pridržavajte mjera opreza da biste spriječili takve nezgode.

OPREZ

Specificirani proizvodi

Ovaj nosač za postavljanje na zid dizajniran je za upotrebu sa specificiranim modelima TV-a ili LCD monitora. Provjerite u Referentnom vodiču televizora ili LCD monitora može li se koristiti ovaj nosač za postavljanje na zid.

Za korisnike

UPOZORENJE

Ako se ne pridržavate sljedećih mjera opreza, može doći do ozbiljnih ozljeda ili smrtnog slučaja zbog izbijanja požara, strujnog udara ili pada proizvoda.

Postavljanje svakako prepustite licenciranim izvođačima te ne dopuštajte pristup djeci tijekom postavljanja.

Ako nosač za postavljanje na zid ili TV ili LCD monitor nisu pravilno postavljeni, može doći do sljedećih nezgoda. Postavljanje neka obavljaju isključivo licencirani izvođači.

- TV ili LCD monitor može pasti i uzrokovati ozbiljne ozljede poput ogrebotina ili lomova.
- Ako zid na koji je nosač za postavljanje na zid nije stabilan, ravan ili okomit na pod, proizvod može pasti i uzrokovati ozljede ili materijalnu štetu. Zid mora izdržati težinu barem četiri puta veću od težine televizora ili LCD monitora. (Pogledajte Referentni vodič Vašeg televizora ili LCD monitora za podatak o njegovoj težini.)
- Ako instalacija nosača za postavljanje na zid nije dovoljno čvrsta, jedinica može pasti i uzrokovati ozljede ili materijalnu štetu.

Premještanje ili skidanje televizora ili LCD monitora svakako prepustite licenciranim izvođačima.

Ako prijevoz i skidanje radi netko tko nije licencirani izvođač, TV ili LCD monitor može pasti i uzrokovati ozljede ili materijalnu štetu.

Za prijenos velikog TV-a ili LCD monitora potrebne su dvije ili više osoba (tri ili više osoba za TV ili LCD monitor od 189,3 cm (75 inča) i više) (osim Egipat). Za prijenos velikog TV-a ili LCD monitora potrebne su dvije ili više osoba (tri ili više osoba za TV ili LCD monitor od 75 inča (189,3 cm) i više) (samo Egipat).

Ne uklanjajte vijke itd. nakon postavljanja TV-a ili LCD monitora.

Ako to učinite, TV ili LCD monitor može pasti i uzrokovati ozljede ili materijalnu štetu.

Ne mijenjajte dijelove nosača za postavljanje na zid.

Ako to učinite, nosač za postavljanje na zid može pasti i uzrokovati ozljede ili materijalnu štetu.

Na instalirajte drugu opremu osim specificiranog proizvoda.

Ovaj nosač za postavljanje na zid dizajniran je za upotrebu samo sa specificiranim modelima. Ako na njega stavite neku drugu opremu, može pasti ili se slomiti, te može uzrokovati ozljede ili materijalnu štetu.

Na nosač za postavljanje na zid ne stavljajte drugi teret osim TV-a ili LCD monitora. Ne tresite TV ili LCD monitor prijemnik desno/ lijevo, gore/dolje.

Ako to učinite, TV ili LCD monitor može pasti i uzrokovati ozljede ili materijalnu štetu.

Ne oslanjajte se na TV ili LCD monitor i ne vješajte o njega.

Ne oslanjajte se na TV ili LCD monitor i ne vješajte o njega jer može pasti i uzrokovati ozbiljne ozljede.

OPREZ

Ako se ne pridržavate navedenih mjera opreza, može doći do ozljeda ili materijalne štete.

- Nekorištene dijelove spremite na sigurno mjesto za naknadnu upotrebu. Držite ih podalje od djece.

Ne rukujte proizvodom prekomjernom silom dok ga čistite ili održavate.

Ne primijenjujte prekomjernu silu s gornje strane televizora ili LCD monitora. Ako to učinite, TV ili LCD monitor može pasti i uzrokovati ozljede ili materijalnu štetu.

Mjere opreza

- Ako duže vrijeme televizor ili LCD monitor držite na nosaču za postavljanje na zid, zid iza TV-a ili LCD monitora može izgubiti boju ili se tapeta može odljepiti, ovisno o materijalu na zidu.
- Ako uklonite nosač za postavljanje na zid nakon postavljanja na zid, ostat će vidljive rupe od vijaka.
- Ne postavljajte nosač za postavljanje na zid na mjesta na kojima je izložen mehaničkim vibracijama.

Postavljanje nosača za postavljanje na zid

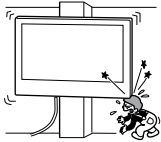
Sonyjevim dobavljačima

UPOZORENJE

Sljedeće upute odnose se isključivo na Sonyjeve dobavljače. Svakako pročitajte gore navedene mjere opreza i posebnu pozornost posvetite sigurnosti tijekom postavljanja, održavanja i provjere proizvoda.

Ne postavljajte nosač za postavljanje na zidove na kojima kutovi ili rubovi televizora ili LCD monitora mogu stršiti.

Ne postavljajte nosač za postavljanje na zid na zidove na kojima kutovi ili rubovi televizora ili LCD monitora mogu stršiti. Ako neka osoba ili predmet udare o stršeci kut ili bočnu stranu televizora ili LCD monitora, može doći do ožljede ili nastati materijalna šteta.

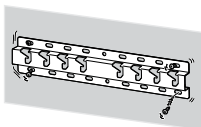


Ne postavljajte televizor ili LCD monitor iznad ili ispod klimatizacijskog uređaja.

Ako je televizor ili LCD monitor izložen curenju vode ili struji zraka iz klimatizacijskog uređaja, može doći do izbijanja požara, strujnog udara ili kvara televizora ili LCD monitora.

Svakako dobro učvrstite nosač za postavljanje na zid slijedeći upute iz ovog korisničkog priručnika.

Ako su neki vijci slabo zavijeni ili ispadnu, nosač za postavljanje na zid može se srušiti i uzrokovati ožljede ili materijalnu štetu. Upotrijebite odgovarajuće vijke za materijal od kojega je sagrađen zid i dobro učvrstite jedinicu upotrijebivši četiri ili više vijaka promjera 8 mm (ili odgovarajuće).



Upotrijebite isporučene vijke i pričvrtni pribor slijedeći upute iz ovog korisničkog priručnika. Ako se koristite zamjenskim dijelovima, televizor ili LCD monitor može pasti i uzrokovati tjelesne ožljede ili oštećenje televizora ili LCD monitora.

Pravilno sastavite nosač slijedeći postupak opisan u ovom korisničkom priručniku.

Ako vijci nisu dobro pritegnuti ili ispadnu, televizor ili LCD monitor može pasti i uzrokovati tjelesne ožljede ili oštećenje televizora ili LCD monitora.

Obavezno dobro pritegnite vijke na označenom mjestu.

Ako to ne učinite, televizor ili LCD monitor može pasti i uzrokovati tjelesne ožljede ili oštećenje televizora ili LCD monitora.

Pazite da televizor ili LCD monitor ne bude izložen udarcima tijekom postavljanja.

Udarci mogu uzrokovati pad ili lomljenje televizora ili LCD monitora. To može uzrokovati ožljede.

Televizor ili LCD monitor obavezno postavite na zid koji je okomit i ravan.

Ako to ne učinite, televizor ili LCD monitor može pasti i uzrokovati ožljede.

Nakon što pravilno postavite televizor ili LCD monitor ispravno učvrstite kabele.

Ako se o kabele zapletu ljudi ili predmeti, može doći do ožljede ili se TV ili LCD monitor mogu oštetiti.

Pazite da ne dođe do priklještenja naponskog kabla izmjenične struje ili priključnog kabla.

Ako se naponski kabel izmjenične struje ili priključni kabel uklješti između jedinice i zida, ili su silom zavrnuti ili savijeni, može doći do izlaganja unutarnjih vodiča, što može uzrokovati kratki spoj ili strujni udar. To može izazvati požar ili strujni udar.



Vijci kojima se nosač za postavljanje na zid treba učvrstiti nisu isporučeni.

Kada instalirate nosač za postavljanje na zid, upotrijebite odgovarajuće vijke za materijal od kojega je zid izgrađen.

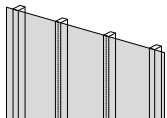
Priprema

- Ilustracije TV-a ili LCD monitora prikazane u ovom priručniku primjeri su koji daju jasna objašnjenja postupaka. Iz tog razloga ilustracije mogu izgledati drugačije od stvarnog TV-a ili LCD monitora.

Od kojeg je materijala vaš zid?

Najprije provjerite zid na koji namjeravate postaviti TV ili LCD monitor.

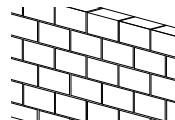
Gipsane ploče s drvenom potkonstrukcijom



Mjere opreza

- Maksimalna debljina gipsanih ploča: 16 mm.
- Provjerite jesu li unutarnje dimenzije stupova drvene potkonstrukcije najmanje 51 mm × 102 mm za obične ili 38 mm × 89 mm za nominalne stupove.

Puni betonski zid ili betonski blokovi



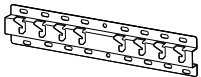








Mjere opreza

- Nosač za postavljanje na zid postavite izravno na betonski zid.
- Debljina betonskog zida mora biti najmanje 203 mm.
- Dimenzije betonskih blokova moraju biti najmanje 203 mm × 203 mm × 406 mm.




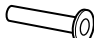

Provjera dijelova

Isporučeno sa SU-WL450

- Provjerite imate li sve dijelove.

<p>Ⓐ Baza (20) (x1)</p> 	<p>Ⓑ Kolotur (x2)</p> 	<p>Ⓒ Vijak (+PSW 6 x 20) (x4)</p> 	<p>Ⓔ Odbojnik (20 mm) (x2)</p> 
<p>Ⓕ Remen (x1)</p> 	<p>Ⓘ Adapter za bazu (x2)</p> 	<p>Ⓙ Vijak (+PSW 4 x 10) (x8)</p> 	<p>Ⓚ Odbojnik (60 mm) (x2)</p> 
<p>Ⓛ Vijak (+PSW 6 x 50) (x2)</p> 			

- Ovi se dijelovi ne mogu koristiti za vaš model.

<p>ⓓ Vijak (+PSW 4 x 20) s čahurom (x2)</p> 	<p>ⓐ Čahura (20) (M4) (x2)</p> 	<p>ⓗ Vijak (+PSW 4 x 20) (x2)</p> 	<p>Ⓜ Čahura (M4) (x2)</p> 
<p>Ⓝ Vijak (+PSW 4 x 50) (x2)</p> 			



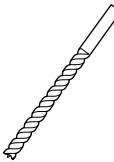
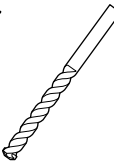
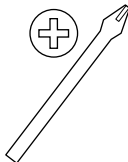
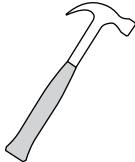
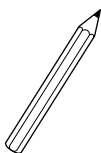
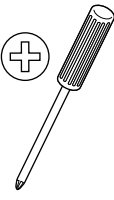
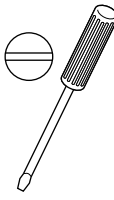
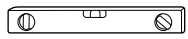




Isporučeno sa TV-om ili LCD monitorom

<p>Priključak nosača za postavljanje na zid VS (x4)*</p> 

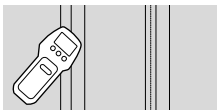
- * Samo za određenu regiju/zemlju/model.

Priprema za postavljanje

- Neka vam prije ugradnje pri ruci budu Referentni vodič za TV ili LCD monitor i Vodič za postavljanje.
- Provjerite mjesto postavljanja televizora ili LCD monitora.
- Pripremite četiri ili više vijaka promjera 8 mm i jedan vijak promjera 5 mm ili sličan (nije isporučen). Odaberite vijke koji odgovaraju materijalu od kojega je izgrađen zid.
- Pripremite sljedeće alate:

*1 		 5,5 mm	 10 mm	
*2 		 1,5 N·m {15 kgf·cm}	*3  1,5 N·m {15 kgf·cm}	
	*2  (x4)	 (x4) 8 mm × 60 mm	 5 mm	
*4 				

*1 Samo za gipsane ploče s drvenom potkonstrukcijom



*2 Samo za betonski zid ili betonske blokove

*3 Ovisno o modelu

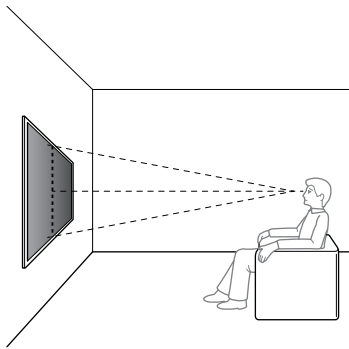
*4 Samo za TV ili LCD monitor 189,3 cm (75 inča) i više (osim Egipat)
Samo za TV ili LCD monitor 75 inča (189,3 cm) i više (samo Egipat)

Montaža nosača za postavljanje na zid

- 1** Odlučite o mjestu postavljanja. Provjerite ima li na zidu dovoljno mjesta za TV ili LCD monitor, te može li nositi najmanje četverostruku težinu TV-a ili LCD monitora. U Referentnom vodiču svog TV-a ili LCD monitora potražite težinu TV-a ili LCD monitora.

Napomena

- Kad je Vaš TV ili LCD monitor postavljen na zid, gornja strana TV-a ili LCD monitora malo je nagnuta naprijed.
- Preporučujemo da provjerite položaj TV prijemnika ili LCD monitora u okruženju.



- 2** Odaberite stil montiranja na zid kako je prikazano u nastavku.

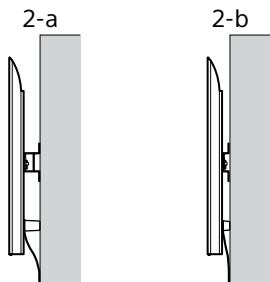
2-a: Standardno postavljanje

2-b: Tanko postavljanje

- Pogledajte »Mjere za nosač za postavljanje na zid« na stranici 18.

UPOZORENJE

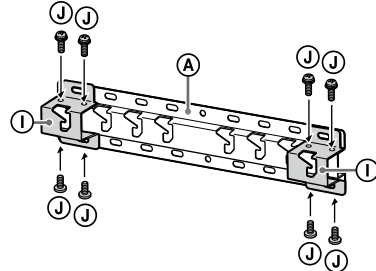
- Kada je odabrana opcija 2-b, pristup stražnjoj ploči ograničen je.



- 3** Ako je odabrano standardno postavljanje (2-a):

Postavite adapter za bazu ① pomoću Vijka (+PSW 4 × 10) ② na Bazu (20) ③.

- Pogledajte »Mjesto ugradnje adaptera Baze ①« na stranici 19.



Npr., montaža adaptera za bazu ① na mjestu »a«

- Ako je odabrano tanko postavljanje (2-b):

Preskočite ovaj korak.

- 4** Odlučite o položaju vijaka za postavljanje baze (20) ③.

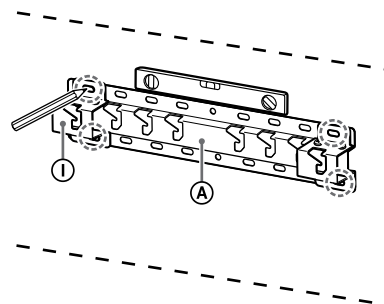
- Pogledajte »Specifikacije« na stranici 17.

UPOZORENJE

- Provjerite čvrstoću zida na koji ćete postaviti televizor ili LCD monitor. Ako je potrebno, ojačajte zid.
- Zid na koji postavljate televizor ili LCD monitor mora izdržati težinu barem **četiri puta** veću od težine televizora ili LCD monitora. (Pogledajte Referentni vodič Vašeg televizora ili LCD monitora za podatak o njegovoj težini.)

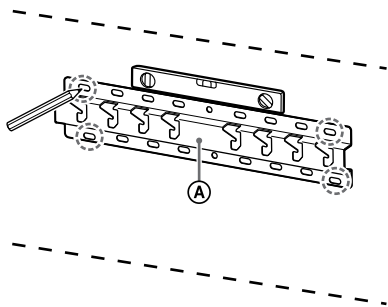
- Ako je odabrano standardno postavljanje (2-a):

Upotrijebite položaje rupa na adapteru za bazu ①.



Npr., oznaka na mjestu »a« da bi odgovarala Bazi (20) ③

Ako je odabrano tanko postavljanje (2-b):

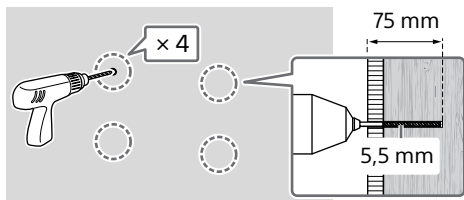


Npr., oznaka na mjestu »a« da bi odgovarala Bazi (20) A

5 Izbušite rupice na oznakama.

Provjerite je li mjesto na zidu za bušenje rupa dovoljno čvrsto da podnese težinu najmanje četiri puta veću od težine TV-a ili LCD monitora.

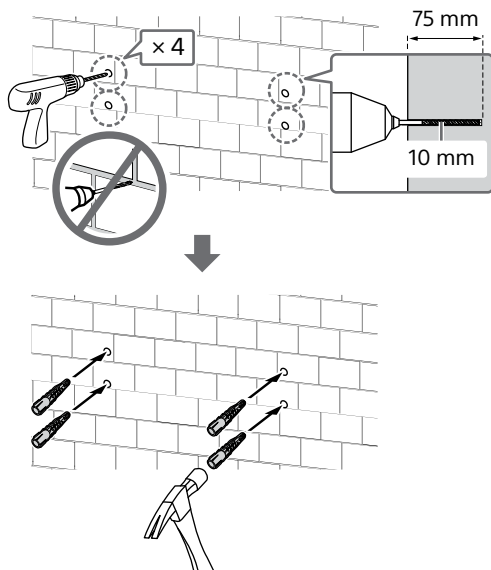
Bušenje na gipsanim pločama s drvenom potkonstrukcijom:



Napomena

- Pilot rupe moraju se izbušiti do dubine od 75 mm, pomoću borera debljine 5,5 mm.

Bušenje na punom betonskom zidu ili betonskim blokovima:



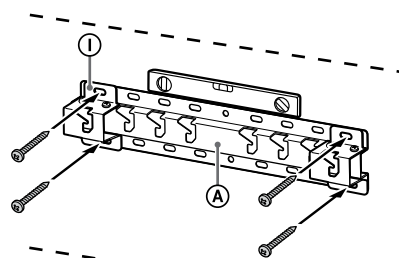
6 Pričvrstite bazu (20) A na zid odgovarajućim vijcima (nisu isporučeni u kompletu).

Napomena

- Pripremite četiri ili više vijaka promjera 8 mm ili slične vijke (nisu isporučeni).
- Libelom provjerite je baza (20) A ravna.

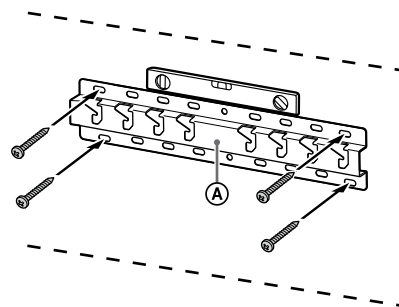
Ako je odabrano standardno postavljanje (2-a):

Pričvrstite četiri vijka u rupe za bazu adaptera I u slučaju baze (20) A.



Npr., montaža Baze (20) A na mjestu »a«

Ako je odabrano tanko postavljanje (2-b):



Npr., montaža Baze (20) A na mjestu »a«

7 Samo KD-85X8xL / 85X8xBL / 75X8xL / 75X8xBL, KM-85X8xL / 75X8xL, XR-85X9xL / 75X9xL, XRM-85X9xL / 75X9xL

Označite na zidu mjesto instaliranja.

Označite mjesto instaliranja TV-a ili LCD monitora pokraj baze (20) A ili adaptera za bazu I ljepljivom trakom ili sl. (nije isporučena).

- Pogledajte »Zidna oznaka za mjesto ugradnje TV-a ili LCD monitora« na stranici 20.

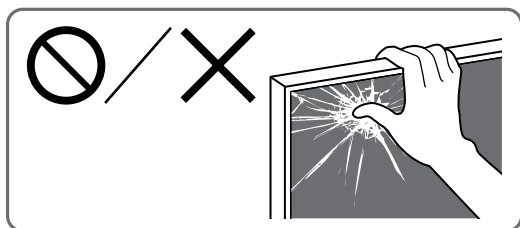
Osim KD-85X8xL / 85X8xBL / 75X8xL / 75X8xBL, KM-85X8xL / 75X8xL, XR-85X9xL / 75X9xL, XRM-85X9xL / 75X9xL

Preskočite ovaj korak.

Priprema za postavljanje televizora ili LCD monitora na zid

Napomena

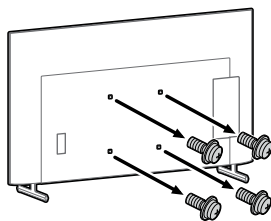
- Uklonjene vijke i neiskorištene dijelove spremite na sigurno mjesto, držeći ih dalje od djece.



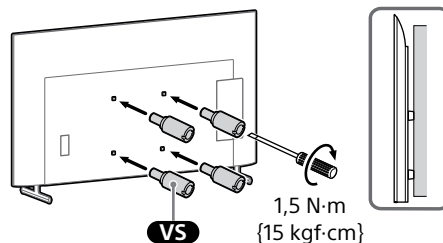
1 Pričvrstite postolje za stol kako bi TV ili LCD monitor stajali.

- Pogledajte Vodič za postavljanje vašeg TV-a ili LCD monitora.

2 Skinite vijke sa stražnje strane TV-a ili LCD monitora.



3 Pričvrstite priključak nosača za postavljanje na zid **VS** (isporučen uz TV ili LCD monitor) na stražnju stranu TV-a ili LCD monitora (kako bi bio paralelan sa zidom).



Napomena

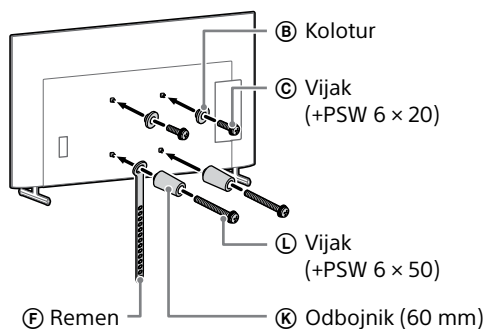
- Pobrinite se zategnuti priključak nosača za postavljanje na zid **VS** kad ga pričvršćujete na TV ili LCD monitor. Koristite samo odvijač sa običnom plosnatom glavom za postavljanje priključka nosača za postavljanje na zid **VS**. Korištenje drugog alata može prouzročiti pretjerano zatezanje priključka nosača za postavljanje na zid **VS** i oštećenje TV-a ili LCD monitora.

4 Pričvrstite dijelove za pričvršćivanje nosača za postavljanje na zid. Provjerite ugradne dijelove pod »Isporučeno sa SU-WL450« u »Provjera dijelova« na stranici 6.

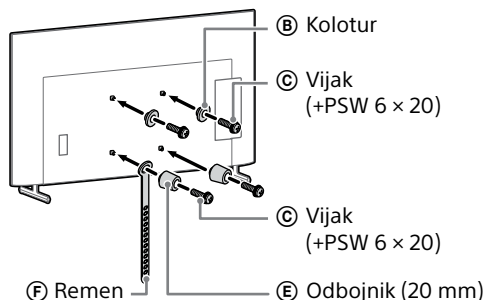
Napomena

- Dijelove za pričvršćivanje čvrsto pritegnite vijcima.
- Ako koristite električni odvijač, pritezni moment postavite na otprilike 1,5 N·m {15 kgf·cm}.

Ako je odabrano standardno postavljanje (2-a):



Ako je odabrano tanko postavljanje (2-b):



5 Priključite potrebne kabele u televizor ili LCD monitor.

Svakako spojite kabele prije postavljanja televizora ili LCD monitora na zid. Kabele nećete moći priključiti kada je televizor ili LCD monitor bude postavljen.

Napomena

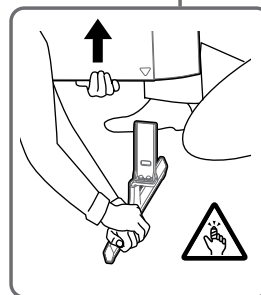
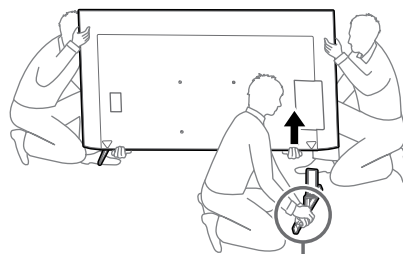
- Provođenje kabela u zid povjerite licenciranom izvođaču radova.
- Povežite spojne kabele kako ne biste stali na njih prije postavljanja uređaja na zid.

6 Skinite Postolje za stol s TV-a ili LCD monitora.

Sljedeća ilustracija primjer je operacije.

Osim KD-75X85L / 65X85L / 65X85BL / 55X85L, KM-75X85L / 65X85L / 55X85L, XR-85X90L / 75X90L / 65X90L / 55X90L, XRM-85X90L / 75X90L / 65X90L / 55X90L

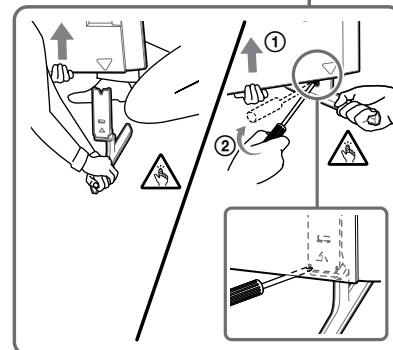
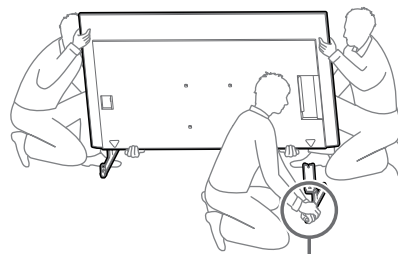
- Uklonite jednu po jednu stranu postolja za stol. Čvrsto držite postolje za stol objema rukama dok druge osobe podignu TV ili LCD monitor.



- Ponovite prethodni korak i uklonite drugu stranu postolja za stol.

Samo KD-75X85L / 65X85L / 65X85BL / 55X85L, KM-75X85L / 65X85L / 55X85L

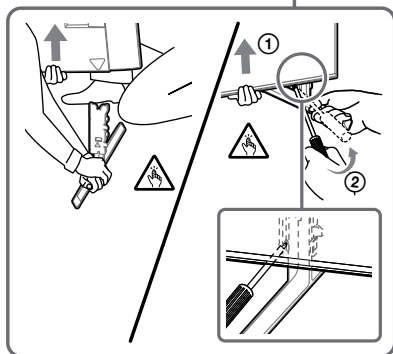
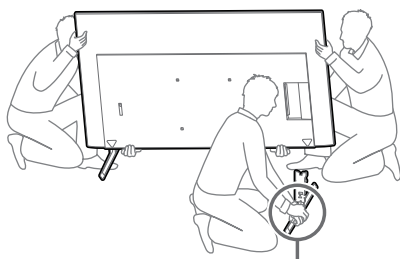
- Uklonite jednu po jednu stranu postolja za stol. Čvrsto držite postolje za stol objema rukama dok druge osobe podignu TV ili LCD monitor.



- Ponovite prethodni korak i uklonite drugu stranu postolja za stol.

Samo XR-85X90L / 75X90L / 65X90L / 55X90L, XRM-85X90L / 75X90L / 65X90L / 55X90L

- Uklonite jednu po jednu stranu postolja za stol. Čvrsto držite postolje za stol objema rukama dok druge osobe podignu TV ili LCD monitor.



- Ponovite prethodni korak i uklonite drugu stranu postolja za stol.

Napomena

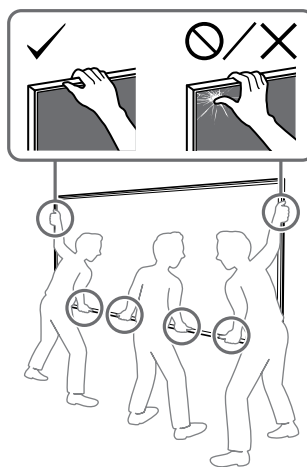
- Za odvajanje postolja za stol potrebno je troje ili više ljudi.
- Pazite da ne primjenjujete prekomjernu silu pri odvajanju postolja za stol od TV-a ili LCD monitora jer to može uzrokovati pad televizora ili LCD monitora i ozbiljne tjelesne ozljede ili oštećenje TV-a ili LCD monitora.
- Pažljivo rukujte postoljem za stol kako biste spriječili oštećenje TV-a ili LCD monitora.
- Pažljivo podižite TV ili LCD monitor kada je postolje za stol uklonjeno jer bi se postolje za stol moglo prevrnuti i uzrokovati ozljede.
- Pažljivo uklanjajte postolje za stol s TV-a ili LCD monitora kako ne bio palo i oštetilo površinu na koju je postavljen TV ili LCD monitor.

Postavljanje televizora ili LCD monitora na zid

Samo KD-85X8xL / 85X8xBL / 75X8xL / 75X8xBL, KM-85X8xL / 75X8xL, XR-85X9xL / 75X9xL, XRM-85X9xL / 75X9xL

UPOZORENJE

- Za prijenos velikog TV-a ili LCD monitora potrebne su dvije ili više osoba (tri ili više osoba za TV ili LCD monitor od 189,3 cm (75 inča) i više) (osim Egipat). Za prijenos velikog TV-a ili LCD monitora potrebne su dvije ili više osoba (tri ili više osoba za TV ili LCD monitor od 75 inča (189,3 cm) i više) (samo Egipat).



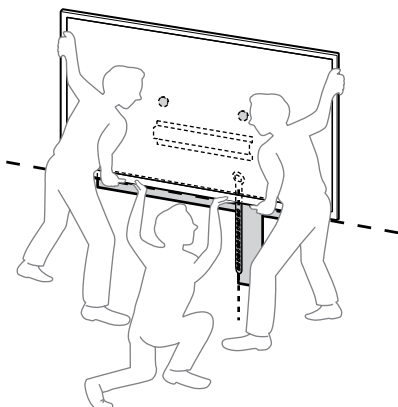
1 Podignite TV ili LCD monitor.

- Za položaj kolotura (B) koje treba objesiti na Bazu (20) (A) ili adapter za bazu (1), pogledajte »Mjesto ugradnje adaptera Baze (1)« na stranici 19.
- Pobrinite se da stražnja strana TV-a ili LCD monitora dodiruje bazu (20) (A) ili adapter za bazu (1) kada pridržavate TV ili LCD monitor.

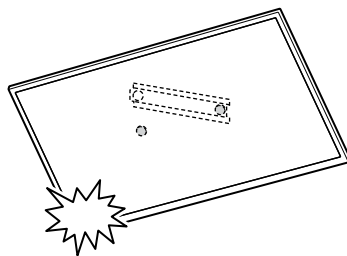
Napomena

- Čvrsto držite TV ili LCD monitor objema rukama i pobrinite se da se remen (F) i donja strana TV-a ili LCD monitora poravnaju s ljepljivom trakom.

- TV ili LCD monitor moraju nositi tri osobe, a osoba koja se nalazi ispred TV-a treba voditi druge pri postavljanju TV-a ili LCD monitora na mjesto.

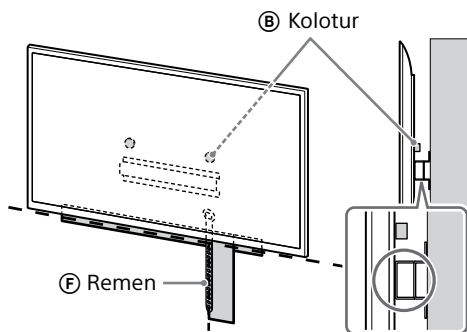


- Polako odmaknite ruke kako biste se uvjerali da TV ili LCD monitor neće pasti.



- Nakon instaliranja TV-a ili LCD monitora na zid, uklonite ljepljivu traku sa zida.

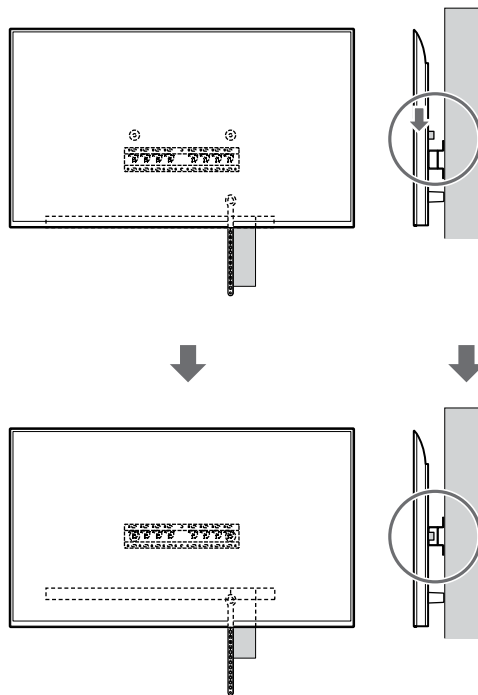
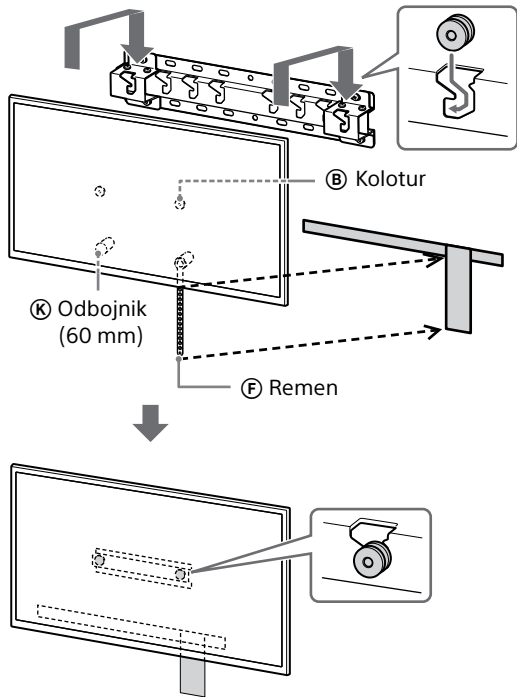
- Budite iznimno pažljivi prilikom instaliranja TV-a ili LCD monitora na zid, a posebice osoba koja podržava TV ili LCD monitor od ispod, kako televizor ili LCD monitor ne bi pao i uzrokovao ozbiljne ozljede ili čak smrt.



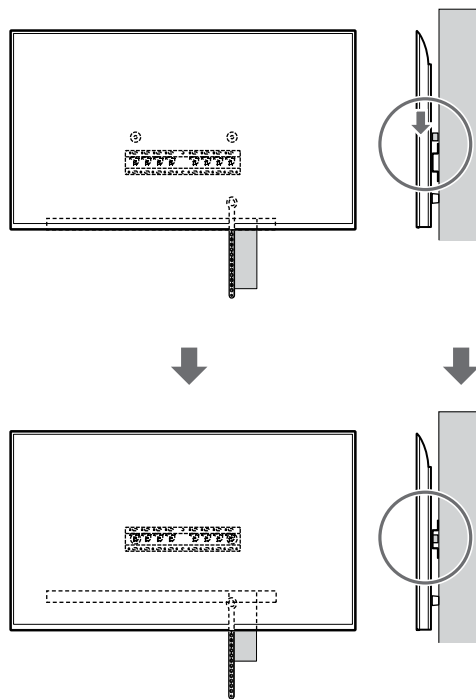
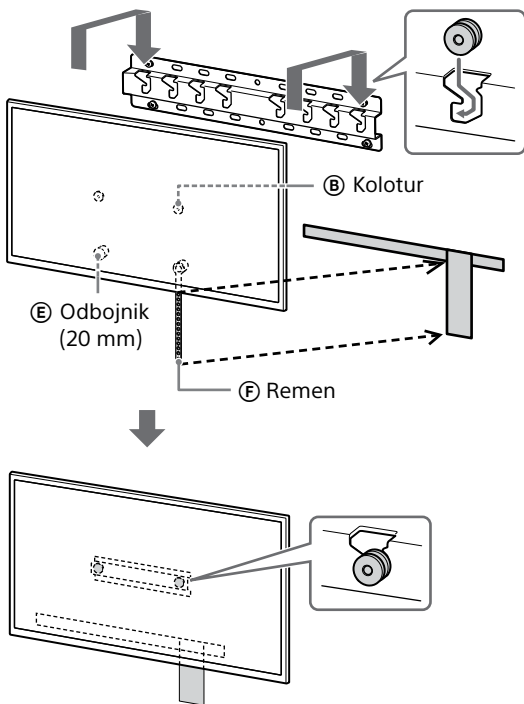
2 Postavite TV ili LCD monitor na bazu (20) (A) ili adapter za bazu (1).

- Pažljivo gurnite TV ili LCD monitor prema dolje i zakvačite koloture (B) pričvršćene na stražnjoj strani TV-a ili LCD monitora na bazu (20) (A) ili adapter za bazu (1) i uvjerite se da su ispravno uglavljeni u otvor.
- Nakon postavljanja televizor ili LCD monitor na zid, provjerite da su koloturi (B) dobro pričvršćeni za bazu (20) (A) ili adapter za bazu (1).

Ako je odabrano standardno postavljanje (2-a):

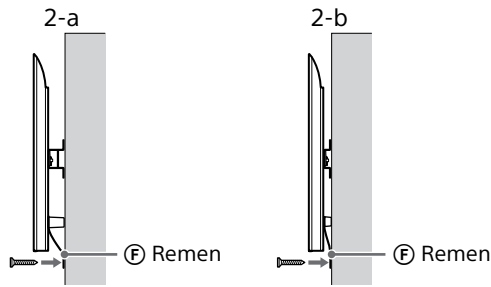


Ako je odabrano tanko postavljanje (2-b):



3 Sprječavanje prevrtanja televizora ili LCD monitora.

- Uzmite komad remen (F) i lagano je pričvrstite za zid.



- Upotrijebite vijak promjera 5 mm ili odgovarajući (nije isporučen).

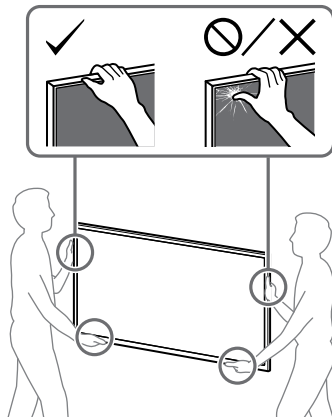
Napomena

- Lagano povucite donji dio televizora ili LCD monitora prema sebi da biste se uvjerali da se neće pomaknuti prema naprijed. Ako dođe do bilo kakvog pomaka, nije pravilno učvršćen, i remen (F) treba ponovo dobro učvrstiti.

Osim KD-85X8xL / 85X8xBL / 75X8xL / 75X8xBL, KM-85X8xL / 75X8xL, XR-85X9xL / 75X9xL, XRM-85X9xL / 75X9xL

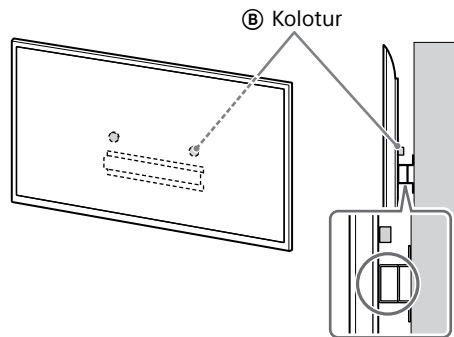
UPOZORENJE

- Za prijenos velikog TV-a ili LCD monitora potrebne su dvije ili više osoba (tri ili više osoba za TV ili LCD monitor od 189,3 cm (75 inča) i više) (osim Egipat). Za prijenos velikog TV-a ili LCD monitora potrebne su dvije ili više osoba (tri ili više osoba za TV ili LCD monitor od 75 inča (189,3 cm) i više) (samo Egipat).



1 Podignite TV ili LCD monitor.

- Za položaj kolotura (B) koje treba objesiti na Bazu (20) (A) ili adapter za bazu (1), pogledajte »Mjesto ugradnje adaptera Baze (1)« na stranici 19.
- Pobrinite se da stražnja strana TV-a ili LCD monitora dodiruje bazu (20) (A) ili adapter za bazu (1) kada pridržavate TV ili LCD monitor.

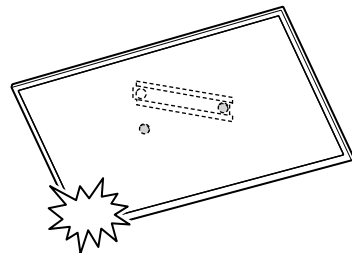


Napomena

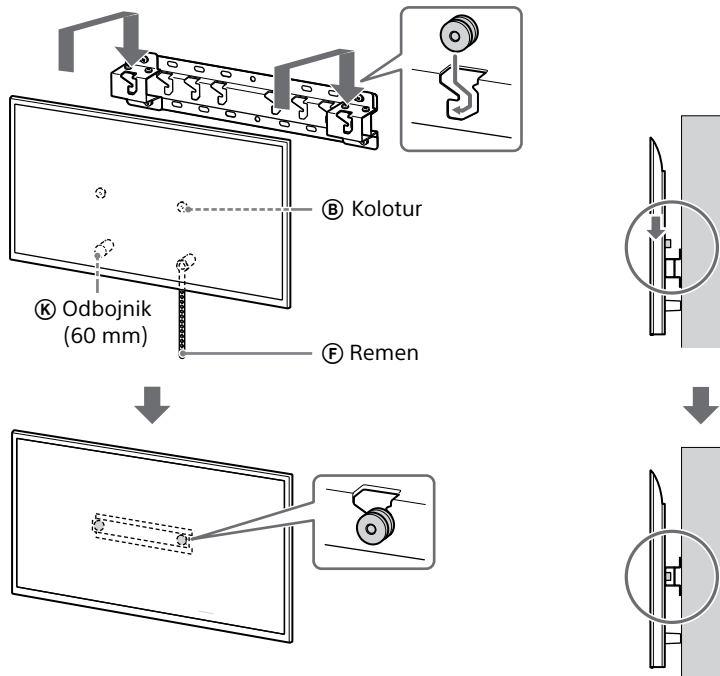
- Čvrsto držite TV ili LCD monitor objema rukama.

2 Postavite TV ili LCD monitor na bazu (20) (A) ili adapter za bazu (1).

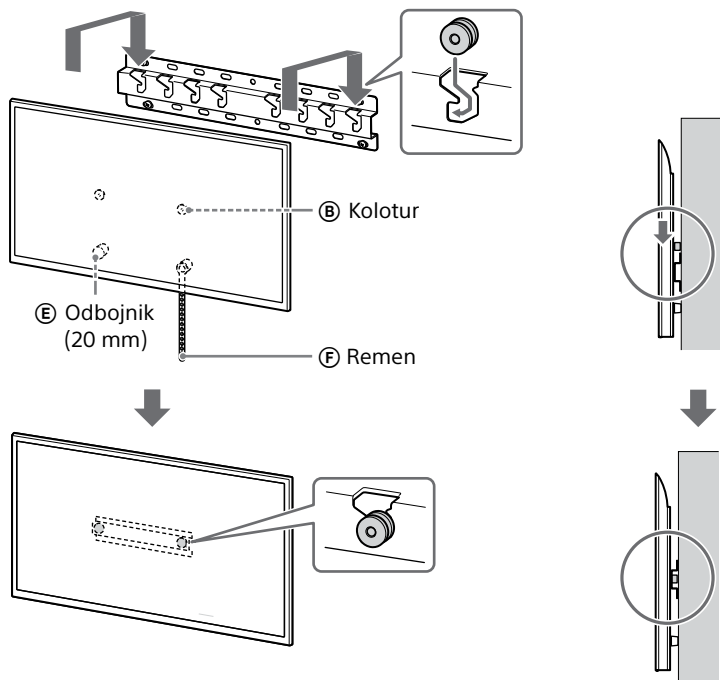
- Pažljivo gurnite TV ili LCD monitor prema dolje i zakvačite koloture (B) pričvršćene na stražnjoj strani TV-a ili LCD monitora na bazu (20) (A) ili adapter za bazu (1) i uvjerite se da su ispravno uglavljeni u otvor.
- Nakon postavljanja televizor ili LCD monitor na zid, provjerite da su koloturi (B) dobro pričvršćeni za bazu (20) (A) ili adapter za bazu (1).
- Polako odmaknite ruke kako biste se uvjerali da TV ili LCD monitor neće pasti.



Ako je odabrano standardno postavljanje (2-a):

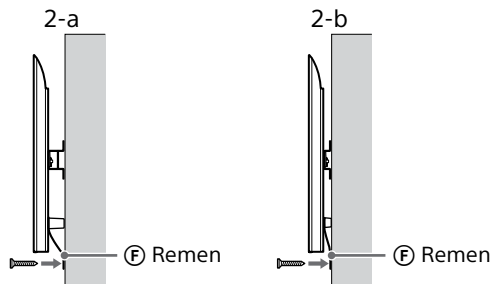


Ako je odabrano tanko postavljanje (2-b):



3 Sprječavanje prevrtanja televizora ili LCD monitora.

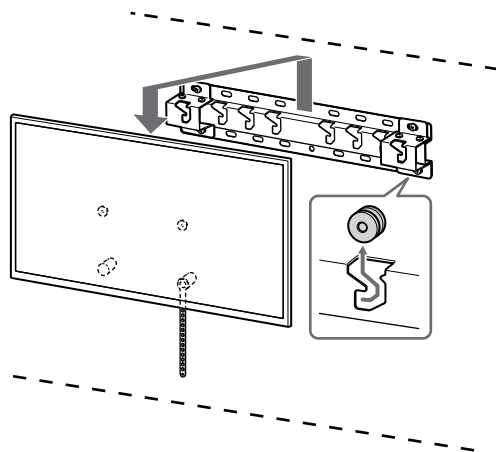
- Uzmite komad remen (F) i lagano je pričvrstite za zid.



- Upotrijebite vijak promjera 5 mm ili odgovarajući (nije isporučen).

Napomena

- Lagano povucite donji dio televizora ili LCD monitora prema sebi da biste se uvjerali da se neće pomaknuti prema naprijed. Ako dođe do bilo kakvog pomaka, nije pravilno učvršćen, i remen (F) treba ponovo dobro učvrstiti.



UPOZORENJE

- Za prienos velikog TV-a ili LCD monitora potrebne su dvije ili više osoba (tri ili više osoba za TV ili LCD monitor od 189,3 cm (75 inča) i više) (osim Egipat). Za prienos velikog TV-a ili LCD monitora potrebne su dvije ili više osoba (tri ili više osoba za TV ili LCD monitor od 75 inča (189,3 cm) i više) (samo Egipat).

Potvrda dovršetka postavljanja

Provjerite sljedeće.

- Koloturi (B) su čvrsto obješeni o bazu (20) (A) ili adapter za bazu (1).
- Uže i kabel nisu uvrnuti ili prikliješteni.
- Remen (F) je zategnuta bez opuštenih dijelova.

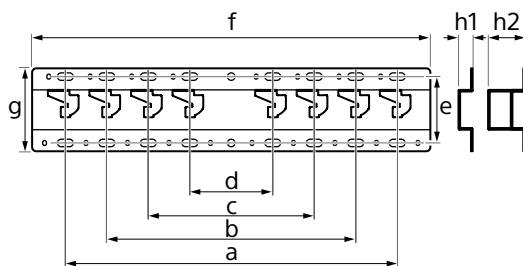
UPOZORENJE

- Nepravilan smještaj kabela za napajanje izmjeničnom strujom može uzrokovati požar ili strujni udar zbog kratkog spoja. Radi sigurnosti svakako potvrdite da ste dovršili postavljanje.

Druge informacije

Kada uklanjate televizor ili LCD monitor, obrnite postupak postavljanja.

Specifikacije



Dimenzije: (približno) [mm]

- a : 400
- b : 300
- c : 200
- d : 100
- e : 80
- f : 480
- g : 100

- h1 : 20 (za tanko postavljanje, 2-b)
- h2 : 60 (za standardno postavljanje, 2-a)

Težina (samo baza): (približno) [kg]

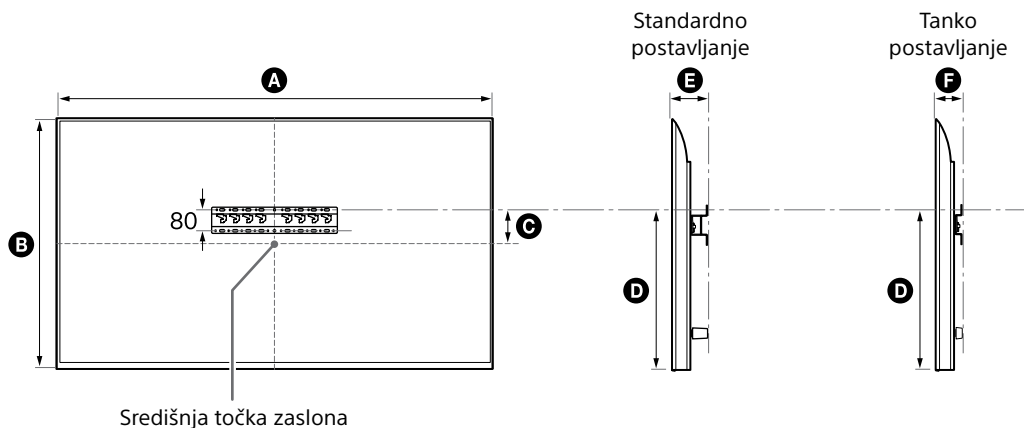
0,8

Dizajn i specifikacije podložne su promjenama bez obavijesti.

Reference

Mjere za nosač za postavljanje na zid

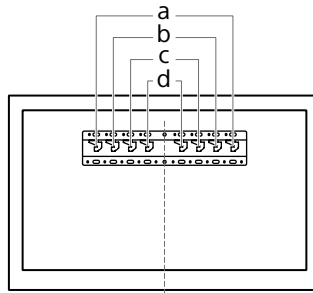
Podaci u tablici mogu neznatno odstupati ovisno o instalaciji.



(mm)

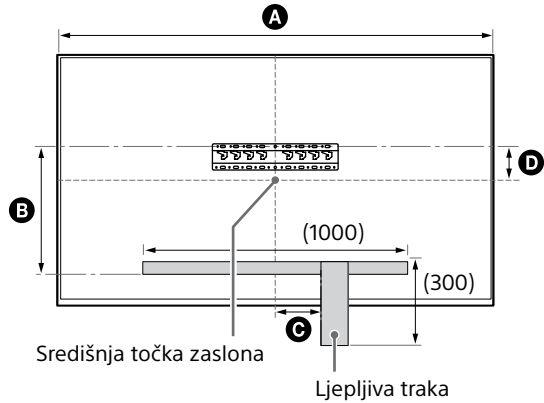
Naziv modela	A	B	C	D	E	F
KD-85X81BL / 85X80L KM-85X80L	1901	1090	43	592	138	96
XR-85X90L XRM-85X90L	1891	1085	58	607	125	83
KD-75X85L KM-75X85L	1671	960	21	508	123	81
KD-75X81BL / 75X80L KM-75X80L	1675	962	12	493	137	95
XR-75X90L XRM-75X90L	1668	959	21	508	123	81
KD-65X85L / 65X85BL KM-65X85L	1447	832	85	505	123	81
KD-65X81BL / 65X80L KM-65X80L	1452	836	76	494	135	93
XR-65X90L XRM-65X90L	1445	831	85	505	123	81
KD-55X85L KM-55X85L	1228	709	146	505	122	81
KD-55X81BL / 55X80L KM-55X80L	1233	713	133	494	135	93
XR-55X90L XRM-55X90L	1225	707	146	505	122	81
KD-50X80L KM-50X80L	1119	649	63	392	133	91
KD-43X80L KM-43X80L	964	563	111	392	133	91

Mjesto ugradnje adaptera Baze ①



Naziv modela	Položaj kuke	Naziv modela	Položaj kuke
KD-85X81BL / 85X80L KM-85X80L XR-85X90L XRM-85X90L	a	KD-55X85L / 55X81BL / 55X80L KM-55X85L / 55X80L XR-55X90L XRM-55X90L	b
KD-75X85L / 75X81BL / 75X80L KM-75X85L / 75X80L XR-75X90L XRM-75X90L	b	KD-50X80L KM-50X80L	c
KD-65X85L / 65X85BL / 65X81BL / 65X80L KM-65X85L / 65X80L XR-65X90L XRM-65X90L	b	KD-43X80L KM-43X80L	c

Zidna oznaka za mjesto ugradnje TV-a ili LCD monitora



(mm)

Naziv modela	A	B	C	D
KD-85X81BL / 85X80L KM-85X80L	1901	472	200	43
XR-85X90L XRM-85X90L	1891	486	200	58
KD-75X85L KM-75X85L	1671	388	150	21
KD-75X81BL / 75X80L KM-75X80L	1675	373	150	12
XR-75X90L XRM-75X90L	1668	388	150	21

Sony қабырғаға орнататын кронштейнді (SU-WL450) пайдалану туралы орнату ақпараты

Қолдау көрсетілетін моделдер*:

* Нақты модель атауындағы «х»/«xx» белгісі әрбір арнайы модель үшін сандарды және/немесе таңбаларды көрсетеді.

KD-85X8xL / 85X8xBL / 75X8xL / 75X8xBL / 65X8xL / 65X8xBL / 55X8xL / 55X8xBL / 50X8xL / 43X8xL

KM-85X8xL / 75X8xL / 65X8xL / 55X8xL / 50X8xL / 43X8xL

XR-85X9xL / 75X9xL / 65X9xL / 55X9xL

XRM-85X9xL / 75X9xL / 65X9xL / 55X9xL

Тұтынушыларға

Өнім қорғанысы және қауіпсіздік себептері үшін Sony компаниясы теледидарды немесе СКД мониторды орнату Sony дилерлері немесе лицензияланған мердігерлер тарапынан орындалуын қатаң ұсынады. Оны өзіңіз орнатуға әрекет етпеңіз.

Sony дилерлері мен мердігерлеріне

Бұл өнімді орнату, мерзімді түрде техникалық қызмет көрсету және тексеру барысында қауіпсіздікке толық назар аударыңыз.

Бұл өнімді орнату үшін, әсіресе теледидардың немесе СКД монитордың ауырлығын көтеріп тұру үшін қабырғаның бекемдігін анықтау үшін тиісті сараптама жасау керек. Бұл өнімді қабырғаға бекітуді Sony дилерлеріне немесе лицензияланған мердігерлерге тапсырыңыз және орнату барысында қауіпсіздікке тиісті назар аударыңыз. Қате қолдану немесе қате орнату арқылы кез келген зақым немесе жарақат үшін Sony компаниясы жауапты емес.

Қауіпсіздік және дұрыс орнату үшін қабырғаға орнататын кронштейн пайдалану нұсқауларын, теледидарды немесе СКД мониторды орнату нұсқаулығын және осы нұсқаулықтағы нұсқауларды орындаңыз.

Қабырғаға орнататын кронштейн

Қауіпсіздік туралы

Осы өнімді сатып алғаныңыз үшін рақмет.

Тұтынушыларға

Теледидарды немесе СКД мониторды қабырғаға бекіту



ЕСКЕРТУ

КЭСІБИ ТҮРДЕ ОРНАТЫЛУЫ КЕРЕК

Бұл өнімді тек қабырғаның теледидардың немесе СКД монитордың салмағына шыдамдылығын анықтауға жаттықтырылған кәсіби орнатқыш орнатуы керек. Егер орнату барысында дұрыс бекітілмесе, теледидар немесе СКД монитор құлап, едәуір жарақаттауы мүмкін. Sony компаниясы дұрыс пайдаланбау, дұрыс орнатпау немесе көрсетілген өнімнен басқасын пайдалану салдарынан туындайтын кез келген зақым немесе жарақат үшін жауапты болмайды. Заңды құқығыңыз (қандай да бір) жарамайды.

Соны дилерлері үшін

Осы құрылғыны орнатуға жеткілікті түрде тәжірибе қажет. Орнату жұмыстарын қауіпсіз түрде орындау үшін осы пайдалану нұсқаулығын толық оқып шығыңыз. Sony дұрыс қолданбау немесе дұрыс орнатпау салдарынан болған зақымдарға немесе жарақатқа жауапты емес. Орнатқаннан кейін тұтынушыға осы нұсқаулықты беріңіз.

Осы пайдалану нұсқаулығы өнімнің дұрыс қолданылуын және зақымды болдырмауға қажетті алдын алу шараларын көрсетеді. Осы пайдалану нұсқаулығындағы барлық нұсқауларды оқу, мұқият түсіну және орындау сіздің жауапкершілігіңізде. Олай істемеу едәуір адам жарақатына немесе мүлік зақымына және кепілдіктің күшінің жойылуына себеп болуы мүмкін. Болашақта ақпарат алу үшін осы нұсқаулықты қолжетімді жерде сақтаңыз.

Sony өнімдері қауіпсіздікті ескере отырып жасалған. Өнімдер дұрыс қолданылмаса, өрт, ток соғу, өнімнің құлауы немесе оны лақтыру салдарынан ауыр жарақатқа әкелуі мүмкін. Осындай жағдайлардың алдын алу үшін алдын алу шараларын қараңыз.

Өнімнің күні мен штрих-кодында штрих-код таңбасының коды келесі форматта көрсетіледі: ЖЖЖЖ / ММ, мұнда ЖЖЖЖ - жыл ММ - өндіріс мезгілі.

Қазақстан жеріндегі тұтынушылардың шағым-талаптарын қабылдауға уәкілетті ұйым «Сони Электроникс» АҚ Қазақстандағы Өкілдігі, 050010, Қазақстан Республикасы, Алматы қ., Достық даңғылы, 117/7 ұй

Өндіруші: Сони Корпорейшн

Өндіруші мекенжайы: 1-7-1 Конан Минато-ку Токио, 108-0075 Жапония

Кеден одағы жеріндегі шетелден әкелуші: «Сони Электроникс» АҚ, Ресей, 123103, Мәскеу, Карамышевский өтпе көшесі, 6

Қытайда жасалған

АБАЙ БОЛЫҢЫЗ!

Арнайы құрылғылар

Қабырғаға орнататын кронштейн теледидарға немесе СКД мониторға арналған құрылғылармен бірге қолдану үшін жасалған. Қабырғаға орнататын кронштейнді пайдалануға болатынын тексеру үшін теледидарға немесе СКД мониторға арналған «Анықтама нұсқаулығы» бөлімін қараңыз.

Тұтынушыларға

ЕСКЕРТУ

Осы алдын алу шаралары сақталмаса, өрт, ток соғу немесе құрылғының құлауы салдарынан ауыр жарақатқа немесе өлімге әкелуі мүмкін.

Орнату жұмыстарын лицензиясы бар мердігерлер жасауы керек және құрылғыны орнату кезінде кішкентай балаларды алыс ұстаңыз.

Қабырғаға орнататын кронштейн немесе теледидар немесе СКД монитор дұрыс орнатылмаса, келесі жағдайлар болуы мүмкін. Лицензиясы бар мердігерлер орнату жұмыстарын жүргізе алатындығына көз жеткізіңіз.

- Теледидар немесе СКД монитор құлап, дененің көгеруі немесе сынық секілді ауыр жарақаттарға әкелуі мүмкін.
- Қабырғаға орнататын кронштейн орнатылатын қабырға тұрақсыз, қисық болса немесе еденге перпендикуляр болмаса, құрал құлап, жарақатқа не мүлктің зақымдануына әкелуі мүмкін. Қабырға теледидардың немесе СКД монитордың салмағынан төрт есе ауыр салмақты көтере алуы қажет. (Салмағын тексеру үшін теледидардың немесе СКД монитордың «Анықтама нұсқаулығы» бөлімін қараңыз.)
- Қабырғаға орнататын кронштейн қабырғаға берік бекітілмесе, құрал құлап, жарақатқа немесе мүлктің зақымдануына әкелуі мүмкін.

Балалар үшін

- Балаларға теледидар немесе СКД Монитор үстіне шығуға рұқсат бермеңіз.
- Ұсақ жабдықтарын балалардан аулақ ұстаңыз, жұтып қоймасын.

Теледидарды немесе СКД мониторды тасымалдау немесе бөлшектеу жұмыстарын лицензиясы бар мердігерлер жасауы керек.

Лицензия бар мердігерлерден басқа адамдар теледидарды немесе СКД мониторды тасымалдаса немесе бөлшектесе, ол құлап, жарақатқа немесе мүлктің зақымдануына әкелуі мүмкін. Үлкен теледидарды немесе СКД мониторды тасымалдау үшін екі немесе көбірек адам (189,3 см (75 дюйм) және одан үлкен теледидар немесе СКД монитор үшін үш немесе көбірек адам) керек (Мысырды қоспағанда). Үлкен теледидарды немесе СКД мониторды тасымалдау үшін екі немесе көбірек адам (75 дюйм (189,3 см) және одан үлкен теледидар немесе СКД монитор үшін үш немесе көбірек адам) керек (тек Мысыр үшін).

Теледидарды немесе СКД мониторды бекіткеннен кейін бұрандаларды және т.б. босатпаңыз.

Егер солай істейтін болсаңыз, теледидар немесе СКД монитор құлауы немесе мүлктің зақымдануы мүмкін.

Қабырғаға орнататын кронштейннің бөлшектерін ауыстырмаңыз.

Егер солай істейтін болсаңыз, қабырғаға орнататын кронштейн құлауы немесе мүлктің зақымдануы мүмкін.

Арнайы құрылғыдан басқа құралды бекітпеңіз.

Осы қабырғаға орнататын кронштейн тек арнайы құрылғылармен бірге қолдану үшін жасалған. Арнайы құрылғыдан бөлек құралды бекітсеңіз, ол құлап не сынып, жарақатқа не мүлктің зақымдануына әкелуі мүмкін.

Қабырғаға орнататын кронштейнге теледидардан немесе СКД монитордан басқа затты қолданбаңыз. Теледидарды немесе СКД мониторды солға/оңға, жоғары/төмен шайқамаңыз.

Егер солай істейтін болсаңыз, теледидар немесе СКД монитор құлауы немесе мүлктің зақымдануы мүмкін.

KZ

Теледидарға немесе СКД мониторға сүйенбеңіз немесе асылып тұрмаңыз.

Теледидарға немесе СКД мониторға сүйенсеңіз не асылып тұрсаңыз, ол сізге құлап, ауыр жарақат алуыңыз мүмкін.

АБАЙ БОЛЫҢИЗ!

Осы алдын алу шаралары сақталмаса, жарақат алуыңыз немесе мүлік зақымдануы мүмкін.

- Пайдаланылмаған бөліктерді болашақта пайдалану үшін қауіпсіз жерге сақтап қойыңыз. Оларды балалардан аулақ ұстаңыз.

Құрылғыны тазалау не оған күтім жасау кезінде қатты күш салмаңыз.

Теледидардың немесе СКД монитордың жоғарғы бөлігіне қатты күш салмаңыз. Егер солай істейтін болсаңыз, теледидар немесе СКД монитор құлауы немесе мүліктің зақымдануы мүмкін.

Алдын алу шаралары

- Қабырғаға орнататын кронштейнге орнатылған теледидарды немесе СКД мониторды ұзақ уақыт бойы пайдалансаңыз, қабырғаның материалына байланысты теледидар немесе СКД монитор артындағы не үстіндегі түс өзгеруі немесе тұсқағаздың түсі кетуі мүмкін.
- Қабырғаға орнататын кронштейнді орнатқаннан кейін қайта алсаңыз, қабырғада бұранда саңылаулары қалады.
- Қабырғаға орнататын кронштейнді механикалық тербеліс әсер ететін орында пайдаланбаңыз.

Қабырғаға орнататын кронштейнді орнату

Sony дилерлері үшін

ЕСКЕРТУ

Келесі нұсқаулар тек Sony дилерлеріне арналған. Жоғарыда берілген алдын алу шараларын оқып шығыңыз және осы құрылғыны орнату, оған күтім жасау, оны тексеру кезінде аса назар аударыңыз.

Қабырғаға орнататын кронштейнді теледидардың немесе СКД монитордың бұрыштары не қапталы қабырға бетінен шығып тұратын орындарға орнатпаңыз.

Қабырғаға орнататын кронштейнді теледидардың немесе СКД монитордың бұрыштары не қапталы қабырға бетінен шығып тұратын баған секілді орындарға орнатпаңыз. Адам немесе басқа зат теледидардың немесе СКД монитордың шығып тұған бұрышына не қапталына соқса, ол жарақат алуы немесе мүлік зақымдануы мүмкін.

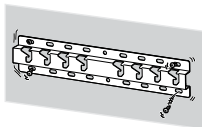


Теледидарды немесе СКД мониторды салқындатқыштың үстіне не астына орнатпаңыз.

Теледидарға немесе СКД мониторға салқындатқыштан ұзақ уақыт бойы су тамшылары ақса не салқын ауа соқса, ол өртке, ток соғуға немесе теледидардың немесе СКД монитордың дұрыс жұмыс істемеуіне әкелуі мүмкін.

Қабырғаға орнататын кронштейнді осы пайдалану нұсқаулығына сүйене отырып мықтап бекітіңіз.

Бұрандалардың бірі жоғалып не түсіп қалған болса, қабырғаға орнататын кронштейн құлап, жарақатқа немесе мүліктің зақымдануына әкелуі мүмкін. Қабырғаның материалына сай бұрандаларды пайдаланыңыз және диаметрі 8 мм (немесе ұқсас) болатын төрт не одан да көп бұрандаларды пайдалана отырып құралды мықтап бекітіңіз.



Берілген бұрандалар мен бекіту бөлшектерін осы пайдалану нұсқаулығындағы нұсқауларға сүйене отырып дұрыс пайдаланыңыз. Қосалқы элементтерді пайдалансаңыз, теледидар немесе СКД монитор құлап, біреуге дене жарақатын салуы немесе теледидарды немесе СКД мониторды зақымдауы мүмкін.

Пайдалану нұсқаулығында берілген процедураларға сүйене отырып кронштейнді дұрыстап құрастырыңыз.

Бұрандалардың бірі жоғалса немесе түсіп қалған болса, теледидар немесе СКД монитор құлап, біреуге дене жарақатын салуы немесе теледидарды немесе СКД мониторды зақымдауы мүмкін.

Бұрандалар көрсетілген орында мықтап бекітілуі керек.

Осылай орындалмаса, теледидар немесе СКД монитор құлап, біреуге дене жарақатын салуы немесе теледидарды немесе СКД мониторды зақымдауы мүмкін.

Орнату кезінде теледидарды немесе СКД мониторды соғып алмаңыз.

Теледидарды немесе СКД мониторды соғып алсаңыз, ол құлауы немесе сынуы мүмкін. Бұдан жарақат алуыңыз мүмкін.

Теледидарды немесе СКД мониторды қабырға мен еденге перпендикуляр болатындай етіп орнату керек.

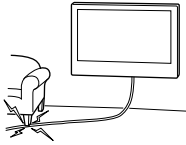
Егер солай болмаса, теледидар немесе СКД монитор құлауы немесе жарақат алуыңыз мүмкін.

**Теледидар немесе СКД
монитор дұрыс
орнатылғаннан кейін
кабельдерді дұрыс
бекітіңіз.**

Адамдар немесе басқа заттар кабельге оралатын болса, жарақатқа не теледидардың немесе СКД монитордың зақымдануына әкелуі мүмкін.

**Айнымалы ток сымы
немесе қосу кабелі
қысылып қалмауы
керек.**

Айнымалы ток сымы немесе қосу кабелі құрал мен қабырға арасында қысылып қалса, майысқан немесе күштеп оралған болса, ішкі бағыттағыштар зақымданып, қысқа тұйықталуға немесе электр көзінің үзілуіне себеп болуы мүмкін. Бұл өрттің пайда болуына немесе ток соғуға әкелуі мүмкін.



**Қабырғаға орнататын
кронштейнді қабырғаға
бекітуге қажетті
бұрандалар берілмеген.**

Қабырғаға орнататын кронштейнді бекіту кезінде қабырғаның материалы мен құрылымына сай бұрандаларды пайдаланыңыз.

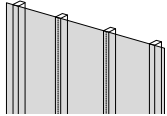
Іске кіріспес бұрын

- Бұл нұсқаулықта көрсетілген теледидар немесе СҚД монитор суреттері әрекеттердің анық түсіндірмелерін қамтамасыз ету үшін пайдаланылатын мысалдар болып табылады. Осы себепті суреттер іс жүзіндегі теледидардан немесе СҚД монитордан басқаша көрінуі мүмкін.

Қабырға неден жасалған?

Алдымен теледидар немесе СҚД монитор орнатылатын қабырғаның түрін тексеріңіз.

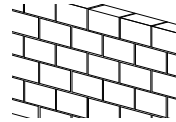
Профильдерге бекітілген гипсокартон



Алдын алу шаралары

- Гипсокартонның максималды қалыңдығы: 16 мм.
- Ішкі ағаш профильдің қалыңдығы жалпы орнату үшін 51 мм × 102 мм, ал шартты орнату үшін 38 мм × 89 мм екеніне көз жеткізіңіз.

Қатты бетон немесе бетон блок



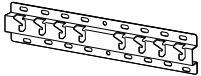






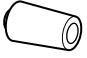

Алдын алу шаралары

- Қабырғаға орнататын кронштейнді қатты бетон қабырғаға тікелей орнатыңыз.
- Қатты бетон қабырғаның қалыңдығы кемінде 203 мм екеніне көз жеткізіңіз.
- Өрбір бетон блоктың өлшемі кемінде 203 мм × 203 мм × 406 мм екеніне көз жеткізіңіз.




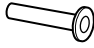

Бөлшектерді тексеру

SU-WL450 құрылғысымен беріледі

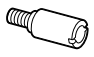
- Барлық бөлшектердің бар екендігін тексеріңіз.

<p>Ⓐ Негіз (20) (×1)</p> 	<p>Ⓑ Терершік (×2)</p> 	<p>Ⓒ Бұранда (+PSW 6 × 20) (×4)</p> 	<p>Ⓔ Аралық (20 мм) (×2)</p> 
<p>Ⓕ Белдік (×1)</p> 	<p>Ⓘ Негізгі адаптер (×2)</p> 	<p>Ⓙ Бұранда (+PSW 4 × 10) (×8)</p> 	<p>Ⓚ Аралық (60 мм) (×2)</p> 
<p>Ⓛ Бұранда (+PSW 6 × 50) (×2)</p> 			

- Бұл бөлшектерді үлгіңіз үшін пайдалану мүмкін емес.

<p>Ⓓ Бұранда (+PSW 4 × 20) Төлкесі бар (×2)</p> 	<p>Ⓞ Төлке (20) (M4) (×2)</p> 	<p>Ⓢ Бұранда (+PSW 4 × 20) (×2)</p> 	<p>Ⓜ Төлке (M4) (×2)</p> 
<p>Ⓝ Бұранда (+PSW 4 × 50) (×2)</p> 			



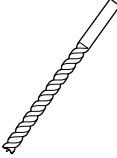
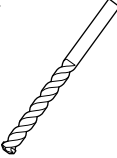
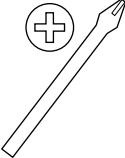
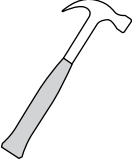
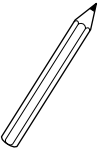
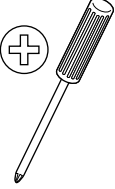
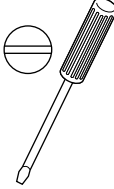




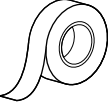
Теледидармен немесе СКД монитормен беріледі

<p>Қабырғаға орнататын тіркеме VS (×4)*</p> 
--

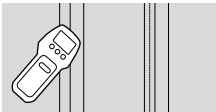
- * Тек шектеулі аймақтарда/елдерде/үлгілерде.

Орнатуға дайындық

- Орнату алдында теледидардың немесе СҚД монитордың анықтамалық нұсқаулығын және орнату нұсқаулығын алыңыз.
- Теледидар немесе СҚД монитор бекітілетін орынды анықтаңыз.
- Диаметрі 8 мм болатын төрт немесе одан да көп бұранда және 5 мм-лік немесе ұқсас (берілмеген) бұранда дайындаңыз. Қабырғаның материалына сай келетін бұрандаларды таңдаңыз.
- Келесі құралдарды пайдаланыңыз:

*1			 5,5 мм	 10 мм	
*2			 1,5 Н·м {15 кгк·см}	 1,5 Н·м {15 кгк·см}	
		*2  (x4)	 (x4) 8 мм × 60 мм	 5 мм	
*4					

*1 Тек профильдерге орнатылған гипсокартонға арналған



*2 Тек қатты бетонға немесе бетон блокқа арналған

*3 үлгілерге байланысты

*4 Тек диагоналі 189,3 см (75 дюйм) және одан жоғары теледидарға немесе СҚД мониторға арналған (Мысырды қоспағанда)

Тек диагоналі 75 дюйм (189,3 см) және одан жоғары теледидарға немесе СҚД мониторға арналған (тек Мысыр үшін)

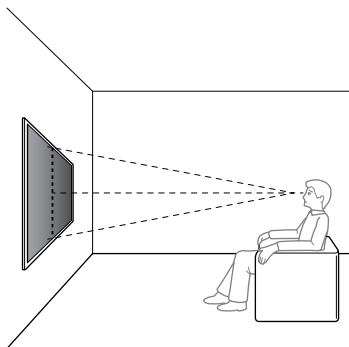
Қабырғаға орнатылатын кронштейнді қабырғаға орнату

1 Орнатылатын орынды анықтаңыз.

Қабырғада теледидар немесе СКД монитор үшін жеткілікті орын бар екенін және теледидардың немесе СКД монитордың кемінде төрт есе ауырлығын көтере алатындаған тексеріңіз. Теледидардың немесе СКД монитордың салмағын тексеру үшін теледидардың немесе СКД монитордың «Анықтама нұсқаулығы» бөлімін қараңыз.

Нұсқау

- Теледидар немесе СКД монитор қабырғаға орнатылғанда теледидардың немесе СКД монитордың жоғарғы бөлігі аздап алға еңкейеді.
- Біз көру орнындағы теледидардың немесе СКД монитордың орналасуын тексеруді ұсынамыз.



2 Төменде көрсетілгендей қабырғаға орнату стилін таңдаңыз.

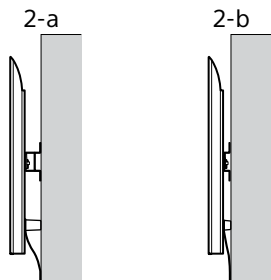
2-а: Стандартты орнату

2-б: Жақын орнату

- 19-беттегі «Қабырғаға орнататын кронштейнді қабырғаға орнату үшін өлшеу» бөлімін қараңыз.

ЕСКЕРТУ

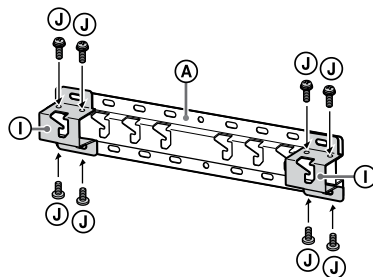
- 2-б таңдалған кезде, Артқы терминалға қатынас шектеулі болады.



3 Стандартты орнату (2-а) таңдалса:

Негізгі адаптерді ① бұранданы (+PSW 4 × 10) ② пайдалана отырып негізге (20) ③ орнатыңыз.

- 20-беттегі «Негізгі адаптерді ① орнату орны» бөлімін қараңыз.



Мыс., негізгі адаптерді ① «а» орнында орнату

Жақын орнату (2-б) таңдалса: Бұл қадамды өткізіп жіберіңіз.

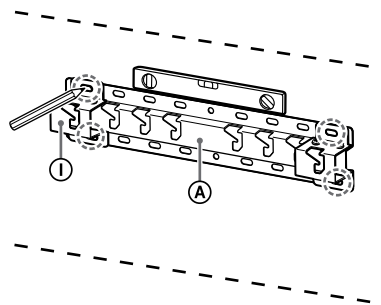
4 Негізді (20) ③ орнату үшін бұрандалардың орнын анықтаңыз.

- 18-беттегі «Техникалық сипаттамалары» бөлімін қараңыз.

ЕСКЕРТУ

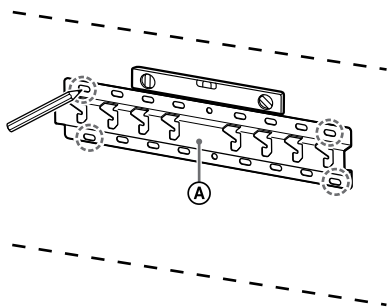
- Теледидар немесе СКД монитор бекітілетін қабырғаның беріктігін анықтаңыз. Қажет болса, қабырғаны жеткілікті түрде күшейтіңіз.
- Теледидар немесе СКД монитор орнатылатын қабырға теледидар немесе СКД монитор салмағынан **төрт есе** ауыр салсақты көтере алуы тиіс. (Салмағын тексеру үшін теледидардың немесе СКД монитордың «Анықтама нұсқаулығы» бөлімін қараңыз.)

Стандартты орнату (2-а) таңдалса: Негізгі адаптердің ① тесік орындарын пайдаланыңыз.



Мыс., «а» орнындағы негізгі (20) ③ орнататын белгі

Жақын орнату (2-б) таңдалса:

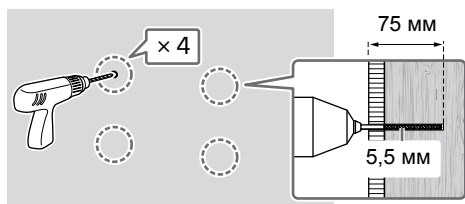


Мыс., «а» орнындағы негізгі (20) А орнататын белгі

5 Белгіленген жерлерді орнату тесіктерін жасау үшін бұрғылаңыз.

Қабырғадағы тесіктерді бұрғылайтын орын теледидардан немесе СКД монитордан кемінде төрт есе көбірек салмақты ұстай алатындай күшті екенін тексеріңіз.

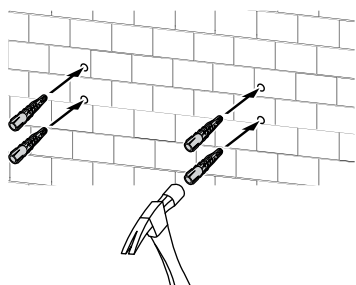
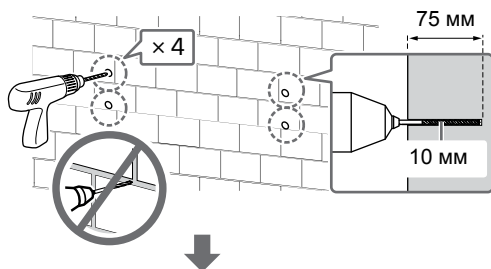
Профильдерге бекітілген гипскартонды бұрғылау:



Нұсқау

- Орнату тесіктері 75 мм тереңдікте, диаметрі 5,5 мм бұрғы ұшымен тесілуі керек.

Қатты бетонда немесе бетон блокта бұрғылау:



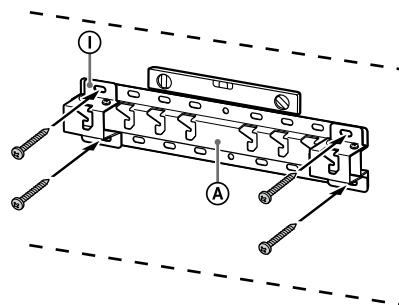
6 Негізін (20) А қабырғаға жарамды бұрандаларды (жинаққа кірмейді) пайдаланып орнатыңыз.

Нұсқау

- Диаметрі 8 мм болатын не ұқсас төрт немесе одан да көп бұранданы пайдаланыңыз (берілмеген).
- Негізгі (20) А жерге параллель екенін тексеру үшін деңгей тексеру құралын пайдаланыңыз.

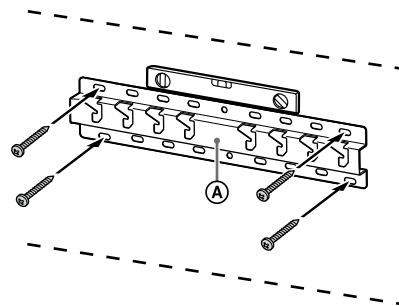
Стандартты орнату (2-а) таңдалса:

Адапторының негізіне ① төрт бұрандаларды Негізімен (20) А бекітіңіз.



Мыс., негізгі (20) А «а» орнында орнату

Жақын орнату (2-б) таңдалса:



Мыс., негізгі (20) А «а» орнында орнату

7 Тек KD-85X8xL / 85X8xBL / 75X8xL / 75X8xBL, KM-85X8xL / 75X8xL, XR-85X9xL / 75X9xL, XRM-85X9xL / 75X9xL моделі үшін

Қабырғадағы орнату орнын белгілеңіз.

Негіз (20) А немесе негіз адаптері ① жанындағы теледидардың немесе СКД монитордың орнын белгілеу үшін оқшаулау таспасын, т.б. (бірге берілмеген) пайдаланыңыз.

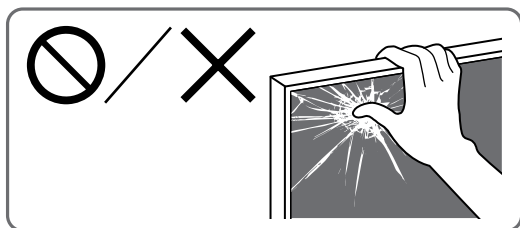
- 21-беттегі «Қабырғадағы теледидарды немесе СКД мониторды орнату орнының белгісі» бөлімін қараңыз.

KD-85X8xL / 85X8xBL / 75X8xL / 75X8xBL, KM-85X8xL / 75X8xL, XR-85X9xL / 75X9xL, XRM-85X9xL / 75X9xL моделінен басқа
Бұл қадамды өткізіп жіберіңіз.

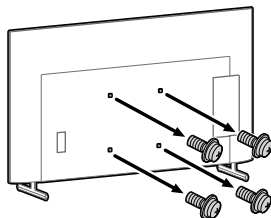
Теледидарды немесе СҚД мониторды орнатуға дайындау

Нұсқау

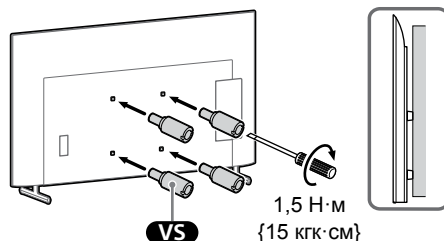
- Алынған бұрандаларды және пайдаланылмаған бөлшектерді қауіпсіз жерде, балалардан аулақ ұстаңыз.



- 1 Теледидарды немесе СҚД мониторды тұрғызып қою үшін үстел түпқоймасын бекітіңіз.
 - Теледидардың немесе СҚД монитордың орнату нұсқаулығын қараңыз.
- 2 Теледидардың немесе СҚД монитордың артындағы бұрандаларды алып тастаңыз.



- 3 Қабырғаға орнататын тіркемені **VS** (теледидармен немесе СҚД монитормен бірге берілген) теледидардың немесе СҚД монитордың артқы жағына (қабырғаға параллель болатындай) бекітіңіз.



Нұсқау

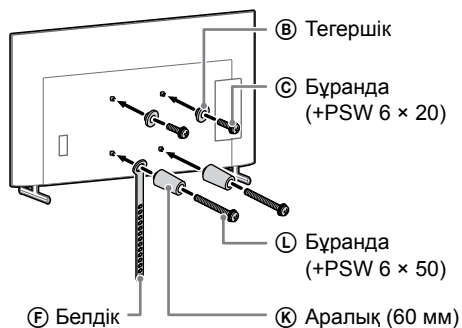
- Теледидарға немесе СҚД мониторға бекіту кезінде қабырғаға орнататын тіркемені **VS** бекітіңіз. Қабырғаға орнататын тіркемені **VS** орнату үшін тек тегіс бетті бұрауышты ғана пайдаланыңыз. Басқа құралды пайдалану қабырғаға орнататын тіркеменің **VS** тым қатты бекемделуіне және теледидардың немесе СҚД монитордың зақымдалуына әкелуі мүмкін.

- 4 Қабырғаға орнататын кронштейн үшін тіркеу бөлшектерін тіркеңіз. 7-беттегі «Бөлшектерді тексеру» бөліміндегі «SU-WL450 құрылғысымен беріледі» қарау арқылы тіркеу бөліктерін тексеріңіз.

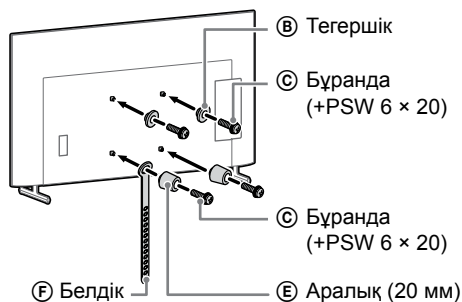
Нұсқау

- Бекіту бөлшектерін бұрандалар арқылы мықтап бекітіңіз.
- Электр бұрауышты пайдаланғанда, айналу шамасын шамамен 1,5 Н·м {15 кгк·см} орнатыңыз.

Стандартты орнату (2-а) таңдалса:



Жақын орнату (2-b) таңдалса:



5 Қажетті кабельді (кабельдерді) теледидарға немесе СҚД мониторға жалғау.

Теледидарды немесе СҚД мониторды қабырғаға орнатпас бұрын кабельдердің жалғанғанын тексеріңіз. Теледидарды немесе СҚД мониторды орнатқаннан кейін кабельдерді жалғау мүмкін болмайды.

Нұсқау

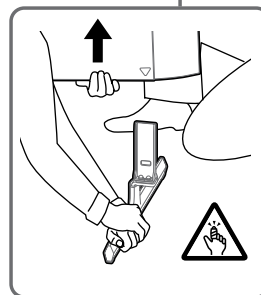
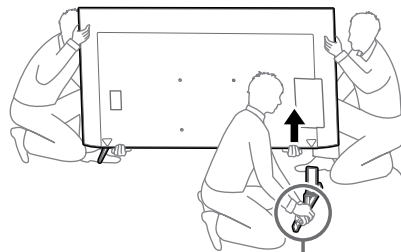
- Қабырғаға кабель жүргізуді лицензиясы бар мердігерге беріңіз.
- Қабырғаға монтаждау алдында, басып кетпеу үшін, жалғастырушы кабельдерді қосыңыз.

6 Теледидардан немесе СҚД монитордан Үстел тұғырын ажыратыңыз.

Келесі сурет пайдалану мысалы болып табылады.

KD-75X85L / 65X85L / 65X85BL / 55X85L, KM-75X85L / 65X85L / 55X85L, XR-85X90L / 75X90L / 65X90L / 55X90L, XRM-85X90L / 75X90L / 65X90L / 55X90L моделінен басқа

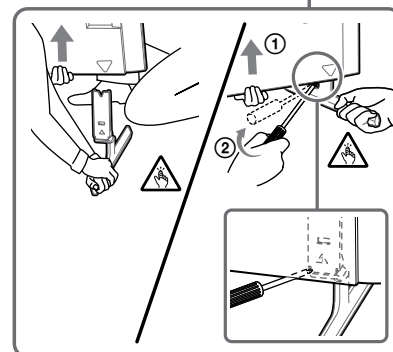
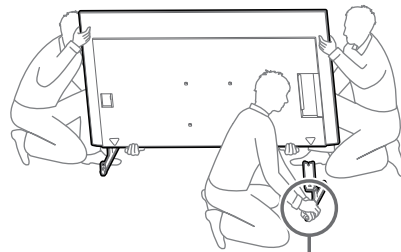
- Үстелдің үстіңгі тақтайының бір жақ бағанасын бірден алып тастаңыз. Басқа адамдар теледидарды немесе СҚД мониторды көтергенше үстелдің үстіңгі тақтайының бағанасын қатты ұстаңыз.



- Алдыңғы қадамды қайталаңыз және үстелдің үстіңгі тақтайының екінші жақ бағанасын алып тастаңыз.

Тек KD-75X85L / 65X85L / 65X85BL / 55X85L, KM-75X85L / 65X85L / 55X85L моделі үшін

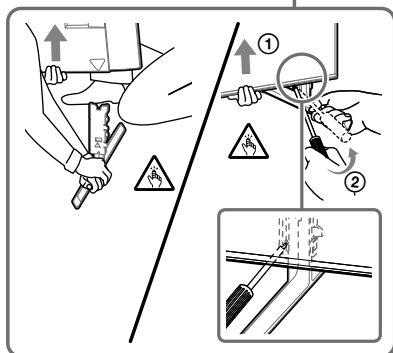
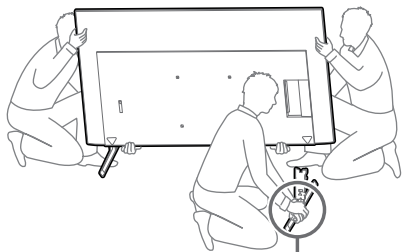
- Үстелдің үстіңгі тақтайының бір жақ бағанасын бірден алып тастаңыз. Басқа адамдар теледидарды немесе СҚД мониторды көтергенше үстелдің үстіңгі тақтайының бағанасын қатты ұстаңыз.



- Алдыңғы қадамды қайталаңыз және үстелдің үстіңгі тақтайының екінші жақ бағанасын алып тастаңыз.

Тек XR-85X90L / 75X90L / 65X90L / 55X90L,
XRM-85X90L / 75X90L / 65X90L / 55X90L
моделі үшін

- Үстелдің үстіңгі тақтайының бір жақ бағанасын бірден алып тастаңыз. Басқа адамдар теледидарды немесе СҚД мониторды көтергенше үстелдің үстіңгі тақтайының бағанасын қатты ұстаңыз.



- Алдыңғы қадамды қайталаңыз және үстелдің үстіңгі тақтайының екінші жақ бағанасын алып тастаңыз.

Нұсқау

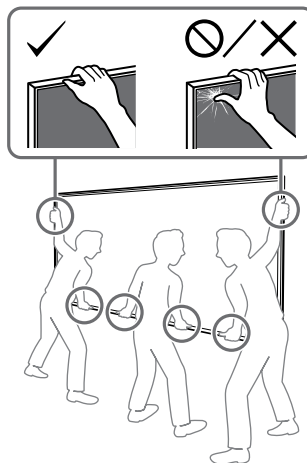
- Үстел тұғырын шешу үшін үш не одан көп адам қажет болады.
- Үстел тұғырын теледидардан немесе СҚД монитордан шешкен кезде шамадан көп күш салмауға тырысыңыз, себебі бұл теледидардың немесе СҚД монитордың құлап, дене жарақатына немесе теледидардың немесе СҚД монитордың физикалық зақымына әкелуі мүмкін.
- Теледидардың немесе СҚД монитордың зақымдалуын болдырмау үшін үстел тұғырын абайлап қолданыңыз.
- Теледидардың немесе СҚД монитордың көтергенде абай болыңыз, өйткені үстел тұғыры ажыратылып, жарамсыздыққа ұшырауы мүмкін.
- Теледидардан немесе СҚД монитордан үстел тұғырын алу кезінде құлатып алудан және теледидар немесе СҚД монитор орнатылған бетке зақым келтіруден сақтық шараларын қолға алыңыз.

Қабырғаға теледидарды немесе СҚД мониторды орнату

Тек KD-85X8xL / 85X8xBL / 75X8xL / 75X8xBL, KM-85X8xL / 75X8xL, XR-85X9xL / 75X9xL, XRM-85X9xL / 75X9xL моделі үшін

ЕСКЕРТУ

- Үлкен теледидарды немесе СҚД мониторды тасымалдау үшін екі немесе көбірек адам (189,3 см (75 дюйм) және одан үлкен теледидар немесе СҚД монитор үшін үш немесе көбірек адам) керек (Мысырды қоспағанда).
Үлкен теледидарды немесе СҚД мониторды тасымалдау үшін екі немесе көбірек адам (75 дюйм (189,3 см) және одан үлкен теледидар немесе СҚД монитор үшін үш немесе көбірек адам) керек (тек Мысыр үшін).



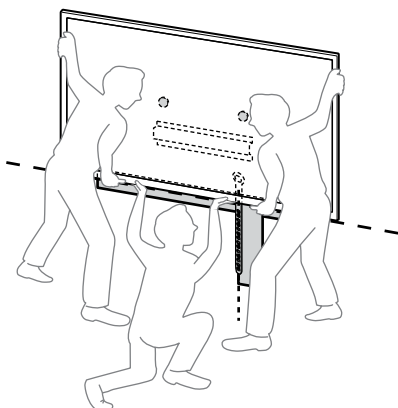
1 Теледидарды немесе СҚД мониторды көтеріңіз.

- Негізде (20) (A) немесе негізгі адаптерде (1) ілініп тұратын тегершіктердің (B) орнын 20-беттегі «Негізгі адаптерді (1) орнату орны» бөлімінен қараңыз.
- Теледидарды немесе СҚД мониторды ұстаған кезде теледидар немесе СҚД монитор арты негізге (20) (A) немесе негіз адаптеріне (1) тиетініне көз жеткізіңіз.

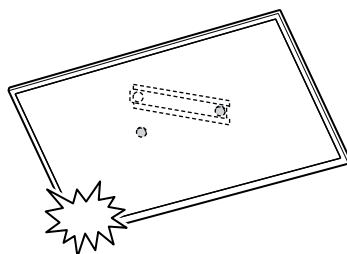
Нұсқау

- Теледидарды немесе СҚД мониторды екі қолмен берік ұстап, белбеу (F) және теледидар немесе СҚД монитор асты оқшаулау таспасымен тураланғанына көз жеткізіңіз.

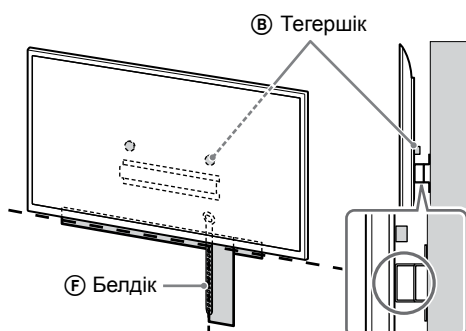
- Теледидарды немесе СҚД мониторды үш адам болып тасымалдаңыз және теледидар немесе СҚД монитор алдындағы адам басқаларына орнын реттеу бойынша нұсқау беруі керек.



- Теледидардың немесе СҚД монитордың құламайтынына көз жеткізу үшін екі қолыңызды баяу босатыңыз.



- Теледидарды немесе СҚД мониторды қабырғаға бекіту кезінде абай болыңыз (әсіресе, теледидарды немесе СҚД мониторды астынан ұстайтын адам), себебі теледидар немесе СҚД монитор жинағы құлап, ауыр дене жарақатына немесе тіпті өлімге әкелуі мүмкін.

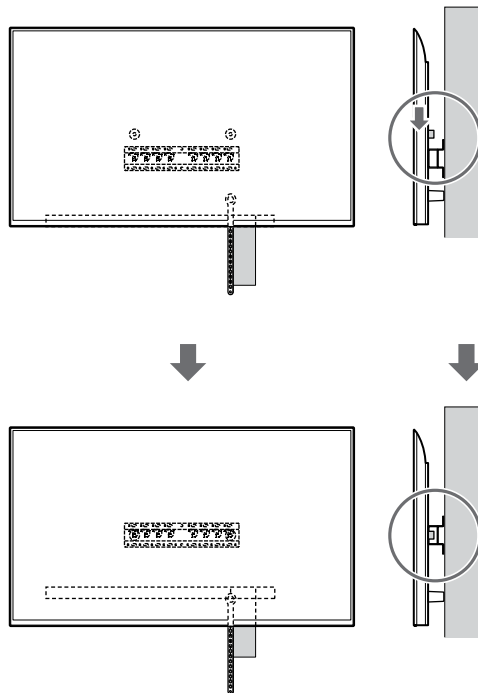
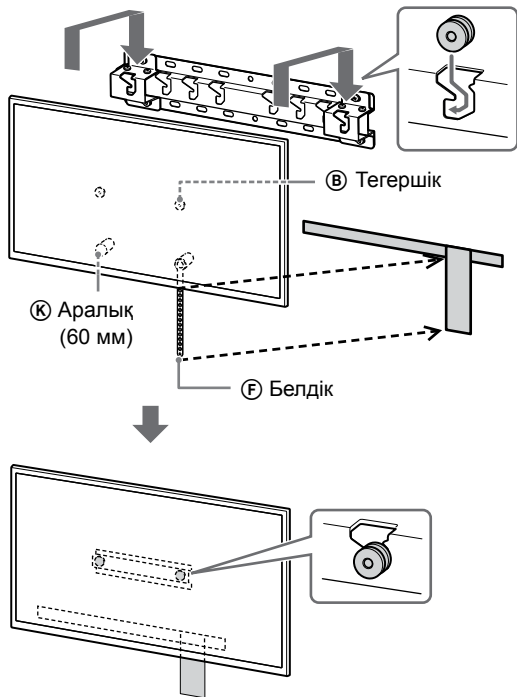


- Теледидарды немесе СҚД мониторды қабырғаға орнатқаннан кейін, қабырғадан оқшаулау таспасын, т.б. шешіңіз.

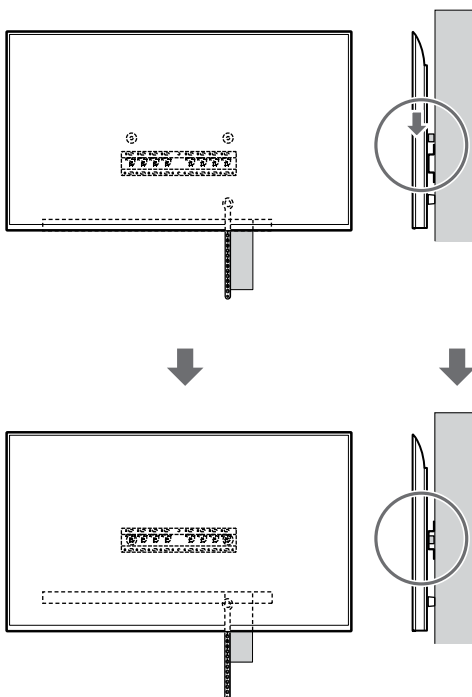
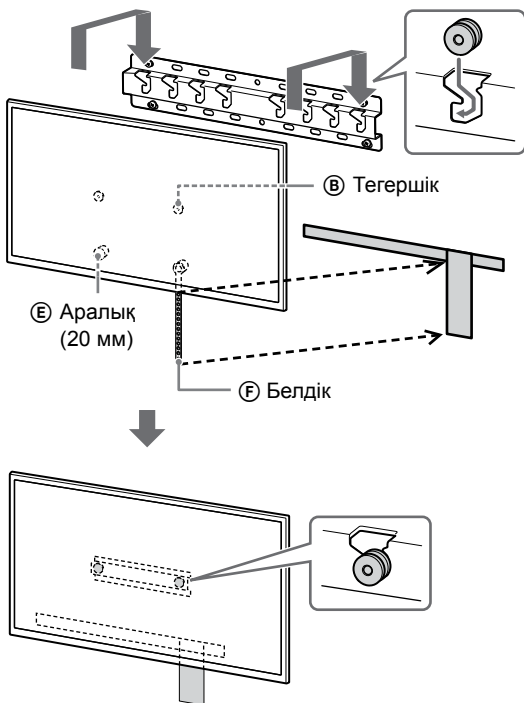
2 Теледидарды немесе СҚД мониторды негізге (20) А немесе негіз адаптеріне 1 орнатыңыз.

- Теледидарды немесе СҚД мониторды ақырын төмен сырғытып, теледидар немесе СҚД монитор артына тіркелген тегершіктерді Б негізге (20) А немесе негіз адаптеріне 1 іліп, саңылаулар пішінін растаңыз.
- Теледидарды немесе СҚД мониторды қабырғаға орнатқаннан кейін тегершіктер Б негізге (20) А немесе Негізгі адаптерге 1 бекем ілінгендігін тексеріңіз.

Стандартты орнату (2-а) таңдалса:



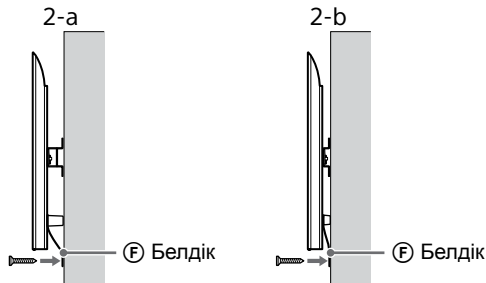
Жақын орнату (2-б) таңдалса:



KZ

3 Теледидардың немесе СҚД монитордың төменгі бөлігінің жылжып кетуін болдырмау.

- Белдікті (F) алып, оны қабырғаға мықтап бекітіңіз.



- Диаметрі 5 мм болатын немесе ұқсас бұранданы пайдаланыңыз (берілмеген).

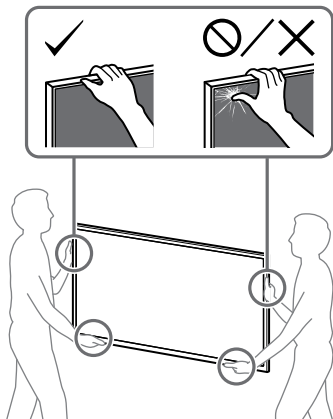
Нұсқау

- Теледидардың немесе СҚД монитордың алға қарай жылжымайтынын тексеру үшін теледидардың немесе СҚД монитордың төменгі бөлігін өзіңізге қарай ақырын тартып көріңіз. Жылжитын болса, дұрыс бекітілмеген болғаны және белдікті (F) қайта бекітіңіз.

KD-85X8xL / 85X8xBL / 75X8xL / 75X8xBL, KM-85X8xL / 75X8xL, XR-85X9xL / 75X9xL, XRM-85X9xL / 75X9xL моделінен басқа

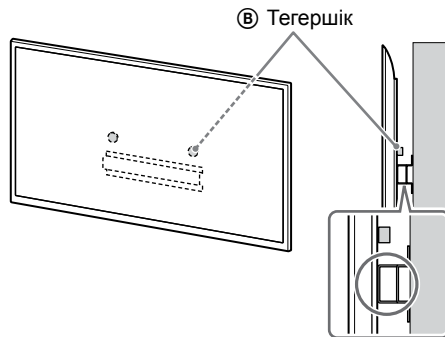
ЕСКЕРТУ

- Үлкен теледидарды немесе СҚД мониторды тасымалдау үшін екі немесе көбірек адам (189,3 см (75 дюйм) және одан үлкен теледидар немесе СҚД монитор үшін үш немесе көбірек адам) керек (Мысырды қоспағанда). Үлкен теледидарды немесе СҚД мониторды тасымалдау үшін екі немесе көбірек адам (75 дюйм (189,3 см) және одан үлкен теледидар немесе СҚД монитор үшін үш немесе көбірек адам) керек (тек Мысыр үшін).



1 Теледидарды немесе СҚД мониторды көтеріңіз.

- Негізде (20) (A) немесе негізгі адаптерде (I) ілініп тұратын тегершіктердің (B) орнын 20-беттегі «Негізгі адаптерді (I) орнату орны» бөлімінен қараңыз.
- Теледидарды немесе СҚД мониторды ұстаған кезде теледидар немесе СҚД монитор арты негізге (20) (A) немесе негіз адаптеріне (I) тиетініне көз жеткізіңіз.

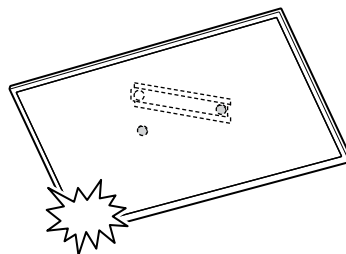


Нұсқау

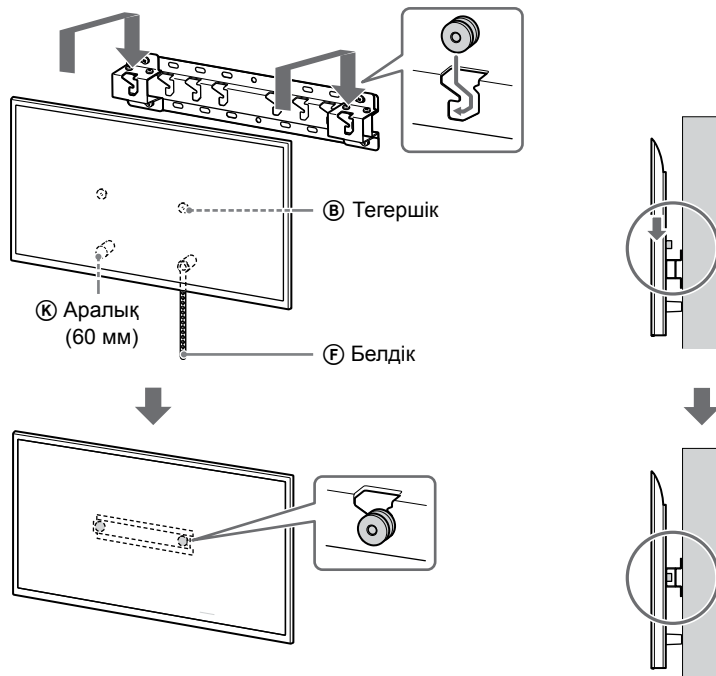
- Теледидарды немесе СҚД мониторды екі қолыңызбен тығыз ұстаңыз.

2 Теледидарды немесе СҚД мониторды негізге (20) (A) немесе негіз адаптеріне (I) орнатыңыз.

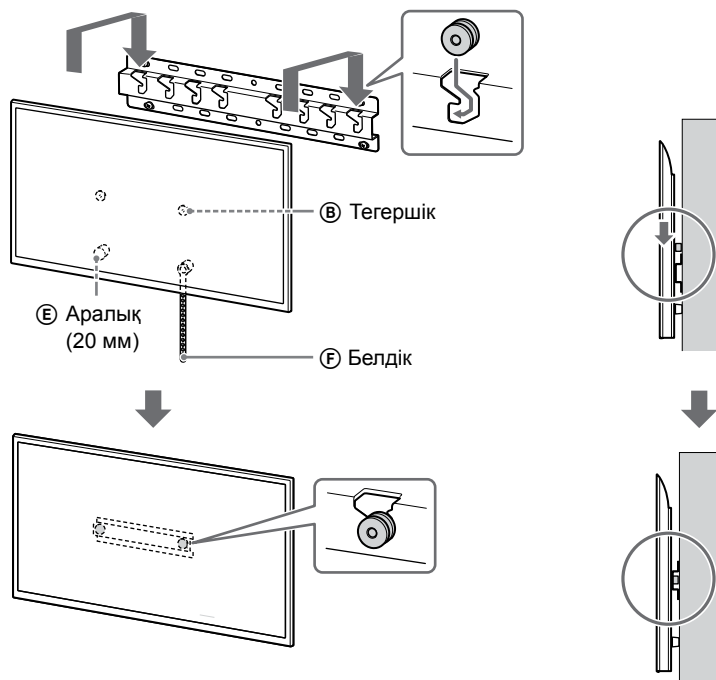
- Теледидарды немесе СҚД мониторды ақырын төмен сырғытып, теледидар немесе СҚД монитор артына тіркелген тегершіктерді (B) негізге (20) (A) немесе негіз адаптеріне (I) іліп, саңылаулар пішінін растаңыз.
- Теледидарды немесе СҚД мониторды қабырғаға орнатқаннан кейін тегершіктер (B) негізге (20) (A) немесе Негізгі адаптерге (I) бекем ілінгендігін тексеріңіз.
- Теледидардың немесе СҚД монитордың құламайтынына көз жеткізу үшін екі қолыңызды баяу босатыңыз.



Стандартты орнату (2-а) таңдалса:

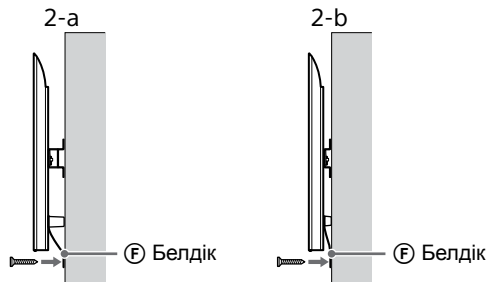


Жақын орнату (2-б) таңдалса:



3 Теледидардың немесе СҚД монитордың төменгі бөлігінің жылжып кетуін болдырмау.

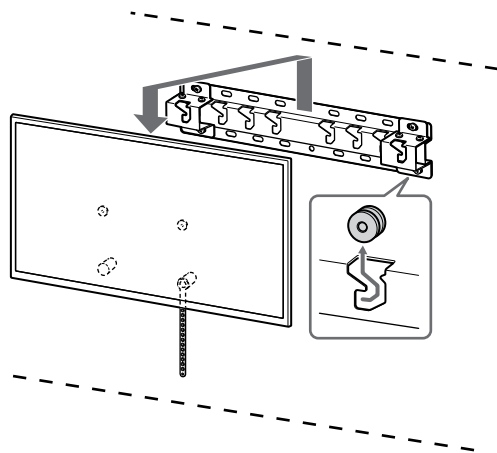
- Белдікті (F) алып, оны қабырғаға мықтап бекітіңіз.



- Диаметрі 5 мм болатын немесе ұқсас бұранданы пайдаланыңыз (берілмеген).

Нұсқау

- Теледидардың немесе СҚД монитордың алға қарай жылжымайтынын тексеру үшін теледидардың немесе СҚД монитордың төменгі бөлігін өзіңізге қарай ақырын тартып көріңіз. Жылжитын болса, дұрыс бекітілмеген болғаны және белдікті (F) қайта бекітіңіз.



ЕСКЕРТУ

- Үлкен теледидарды немесе СҚД мониторды тасымалдау үшін екі немесе көбірек адам (189,3 см (75 дюйм) және одан үлкен теледидар немесе СҚД монитор үшін үш немесе көбірек адам) керек (Мысырды қоспағанда).
Үлкен теледидарды немесе СҚД мониторды тасымалдау үшін екі немесе көбірек адам (75 дюйм (189,3 см) және одан үлкен теледидар немесе СҚД монитор үшін үш немесе көбірек адам) керек (тек Мысыр үшін).

Орнатудың аяқталғандығын тексеру

Келесілерді тексеріңіз.

- Тегершіктер (B) негізге (20) (A) немесе Негізгі адаптерге (1) адаптеріне бекем ілінді.
- Сым мен кабель оралмаған немесе қысылмаған.
- Белдік (F) мықтап бекітілген.

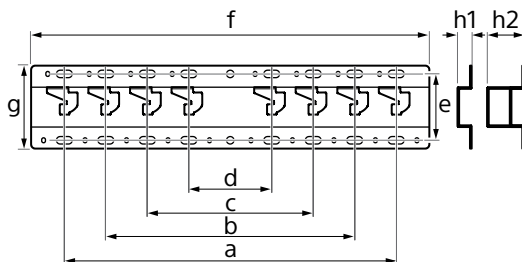
ЕСКЕРТУ

- Айнымалы ток сымының немесе т.б. қате орналасуы қысқа тұйықталу салдарынан өрттің пайда болуына немесе ток соғу қаупіне әкелуі мүмкін. Орнату жұмыстарының қауіпсіздік талаптарына сай орындалғанына көз жеткізіңіз.

Басқа ақпарат

Теледидарды немесе СҚД мониторды алған кезде алдыңғы орнату процедурасын керісінше орындаңыз.

Техникалық сипаттамалары



Өлшемдері: (шамамен) [мм]

- a : 400
- b : 300
- c : 200
- d : 100
- e : 80
- f : 480
- g : 100

h1 : 20 (жақын орнату үшін, 2-b)

h2 : 60 (стандартты орнату үшін, 2-a)

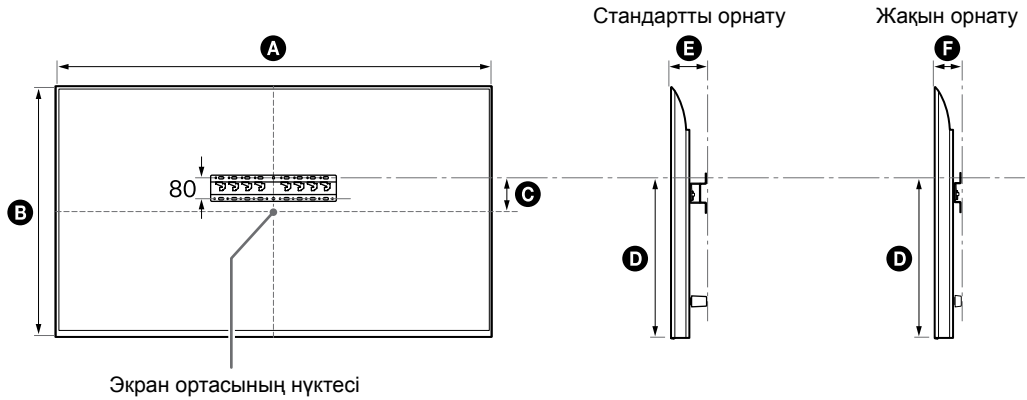
Салмағы (тек тұғыр): (шамамен) [кг]
0,8

Дизайн мен техникалық сипаттамалары ескертусіз өзгертіледі.

Анықтамалар

Қабырғаға орнататын кронштейнді қабырғаға орнату үшін өлшеу

Кестедегі деректер орнатуға байланысты аздап өзгешеленуі мүмкін.

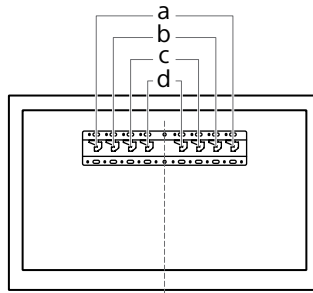


(мм)

Үлгі нөмірі	A	B	C	D	E	F
KD-85X81BL / 85X80L KM-85X80L	1901	1090	43	592	138	96
XR-85X90L XRM-85X90L	1891	1085	58	607	125	83
KD-75X85L KM-75X85L	1671	960	21	508	123	81
KD-75X81BL / 75X80L KM-75X80L	1675	962	12	493	137	95
XR-75X90L XRM-75X90L	1668	959	21	508	123	81
KD-65X85L / 65X85BL KM-65X85L	1447	832	85	505	123	81
KD-65X81BL / 65X80L KM-65X80L	1452	836	76	494	135	93
XR-65X90L XRM-65X90L	1445	831	85	505	123	81
KD-55X85L KM-55X85L	1228	709	146	505	122	81
KD-55X81BL / 55X80L KM-55X80L	1233	713	133	494	135	93
XR-55X90L XRM-55X90L	1225	707	146	505	122	81
KD-50X80L KM-50X80L	1119	649	63	392	133	91
KD-43X80L KM-43X80L	964	563	111	392	133	91

KZ

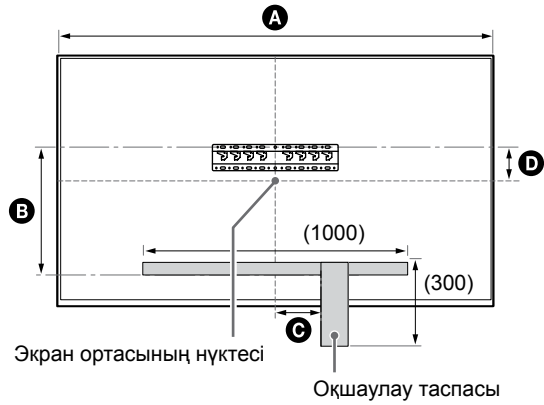
Негізгі адаптерді ① орнату орны



Үлгі нөмірі	Ілмек орны
KD-85X81BL / 85X80L KM-85X80L XR-85X90L XRM-85X90L	a
KD-75X85L / 75X81BL / 75X80L KM-75X85L / 75X80L XR-75X90L XRM-75X90L	b
KD-65X85L / 65X85BL / 65X81BL / 65X80L KM-65X85L / 65X80L XR-65X90L XRM-65X90L	b

Үлгі нөмірі	Ілмек орны
KD-55X85L / 55X81BL / 55X80L KM-55X85L / 55X80L XR-55X90L XRM-55X90L	b
KD-50X80L KM-50X80L	c
KD-43X80L KM-43X80L	c

Қабырғадағы теледидарды немесе СКД мониторды орнату орнының белгісі



(мм)

Үлгі нөмірі	А	Б	С	Д
KD-85X81BL / 85X80L KM-85X80L	1901	472	200	43
XR-85X90L XRM-85X90L	1891	486	200	58
KD-75X85L KM-75X85L	1671	388	150	21
KD-75X81BL / 75X80L KM-75X80L	1675	373	150	12
XR-75X90L XRM-75X90L	1668	388	150	21

KZ

Informacije za montažu za upotrebu Sony Nosača za postavljanje na zid (SU-WL450)

Podržani modeli*:

* U konkretnim nazivima modela, „x“/„xx“ označava brojeve i/ili slova specifične za svaki model.

KD-85X8xL / 85X8xBL / 75X8xL / 75X8xBL / 65X8xL / 65X8xBL / 55X8xL / 55X8xBL / 50X8xL / 43X8xL

KM-85X8xL / 75X8xL / 65X8xL / 55X8xL / 50X8xL / 43X8xL

XR-85X9xL / 75X9xL / 65X9xL / 55X9xL

XRM-85X9xL / 75X9xL / 65X9xL / 55X9xL

Za kupce

Radi zaštite proizvoda i iz bezbednosnih razloga, Sony striktno preporučuje da montažu vašeg TV-a ili LCD monitora obave dileri ili licencirani ugovarači kompanije Sony. Ne pokušavajte sami da ga montirate.

Za dilere ili licencirane ugovarače kompanije Sony

Obezbedite punu pažnju bezbednosti tokom montaže, periodičnog održavanja i pregleda ovog proizvoda.

Za montažu ovog proizvoda je potrebna dovoljna stručnost, posebno za određivanje jačine zida da bi podneo težinu TV-a ili LCD monitora. Obavezno poverite pričvršćenje ovog proizvoda na zid dilerima ili licenciranim ugovaračima kompanije Sony i posvetite odgovarajuću pažnju bezbednosti tokom montaže. Sony nije odgovoran za bilo kakve štete ili povrede prouzrokovane nepravilnim rukovanjem ili nepropisnom montažom.

Za Bezbednost i pravilnu instalaciju, pratite Uputstva za rukovanje Nosačem za postavljanje na zid, Vodič za podešavanje TV-a ili LCD monitora i smernice u ovom uputstvu.

Nosač za postavljanje na zid

O bezbednosti

Hvala vam što ste kupili ovaj proizvod.

Za kupce

Montaža TV-a ili LCD monitora na zid



UPOZORENJE

NEOPHODNO JE PROFESIONALNO POSTAVLJANJE

Ovaj proizvod bi trebalo da postavlja samo profesionalni monter koji je obučen da proceni snagu zida koja treba da izdrži težinu TV-a ili LCD monitora. Ako nije pravilno obezbeđen tokom postavljanja, TV ili LCD monitor može da padne i izazove ozbiljne povrede. Sony nije odgovoran za bilo kakvu štetu ili povredu izazvanu prilikom pogrešnog rukovanja ili nepravilnim postavljanjem, ili postavljanjem bilo kojeg drugog osim navedenog proizvoda. Vaša zakonska prava (ako ih ima) se ne povređuju.

Za dilere kompanije Sony

Za postavljanje ovog proizvoda je potrebna dovoljna stručnost. Obavezno pažljivo pročitajte ovo uputstvo za upotrebu da biste bezbedno obavili rad na postavljanju. Sony nije odgovoran za bilo kakve štete ili povrede prouzrokovane nepravilnim rukovanjem ili nepropisnim postavljanjem. Ovaj priručnik dajte kupcu nakon postavljanja.

Ovo uputstvo za upotrebu prikazuje ispravno rukovanje proizvodom i važne mere predostrožnosti koje su potrebne da bi se sprečile nesreće. Vaša je odgovornost da pročitate, potpunosti razumete i pratite sva uputstva u ovom uputstvu za upotrebu. Ako to ne učinite, možete izazvati ozbiljne lične povrede ili oštećenje imovine i možete poništiti garanciju. Držite ovaj priručnik dostupnim za buduću upotrebu.

Proizvodi kompanije Sony su projektovani da budu bezbedni. Međutim, ako se proizvodi nepravilno koriste, to može da dovede do ozbiljnih povreda usled požara, strujnog udara, prevrtanja proizvoda ili padanja proizvoda. Obavezno poštujujte mere predostrožnosti za bezbednost radi sprečavanja takvih nesreća.

OPREZ

Određeni proizvodi

Ovaj Nosač za postavljanje na zid je projektovan za upotrebu sa određenim modelima TV-a ili LCD monitora. Za TV prijemnike ili LCD monitore, pogledajte njihov Referentni vodič da biste proverili da li Nosač za postavljanje na zid može da se koristi.

Za kupce

UPOZORENJE

Ako se sledeće mere predostrožnosti ne poštuju, to može da dovede do teških telesnih povreda ili smrti usled požara, strujnog udara ili padanja proizvoda.

Obavezno poverite postavljanje licenciranim ugovaračima i držite malu decu dalje tokom postavljanja.

Ako se Nosač za postavljanje na zid ili TV ili LCD monitor ne postave pravilno, može doći do sledećih nesreća. Licencirani ugovarači treba obavezno da izvrše postavljanje.

- TV ili LCD monitor može da padne i da dovede do ozbiljnih povreda, kao što su modrica ili prelom.
- Ako je zid na koji je postavljen Nosač za postavljanje na zid nestabilan, neravan ili nije pod uglom od 90 stepeni sa podom, jedinica može pasti i uzrokovati povrede ili materijalnu štetu. Zid treba da bude u stanju da podnese najmanje četiri puta veću težinu od težine TV-a ili LCD monitora. (Pogledajte Referentni vodič svog TV-a ili LCD monitora radi njegove težine.)
- Ako ugradnja na zidu Nosača za postavljanje na zid nije dovoljno čvrsta, jedinica može pasti i uzrokovati povrede ili materijalnu štetu.

Obavezno poverite pomeranje ili demontažu TV-a ili LCD monitora licenciranim ugovaračima.

Ako druge osobe osim licenciranih ugovarača prebacuju ili demontiraju TV ili LCD monitor, on može da padne i izazove povrede ili oštećenje imovine. Dve ili više osoba (tri ili više osoba za TV ili LCD monitor od 189,3 cm (75 inča) i više) potrebne su za transport velikog TV-a ili LCD monitora (osim Egipta).

Dve ili više osoba (tri ili više osoba za TV ili LCD monitor od 75 inča (189,3 cm) i više) potrebne su za transport velikog TV-a ili LCD monitora (samo Egipat).

Ne skidajte vijke, i slično, nakon montiranja TV-a ili LCD monitora.

Ako to učinite, TV ili LCD monitor može da padne i izazove povrede ili oštećenje imovine.

Ne vršite izmene na delovima Nosača za postavljanje na zid.

Ako to učinite, Nosač za postavljanje na zid može da padne i izazove povrede ili oštećenje imovine.

Nemojte montirati nikakvu opremu osim navedenog proizvoda.

Ovaj Nosač za postavljanje na zid je projektovan samo za upotrebu sa navedenim proizvodom. Ako montirate opremu osim navedene, ona može da padne ili da se polomi i izazove povrede ili oštećenje imovine.

Ne primenjujte nikakvo opterećenje osim TV-a ili LCD monitora na Nosač za postavljanje na zid. Ne tresite TV ili LCD monitor levo/desno, gore/dole.

Ako to učinite, TV ili LCD monitor može da padne i izazove povrede ili oštećenje imovine.

Ne oslanjajte se ili ne kačite na TV ili LCD monitor.

Ne oslanjajte se ili ne kačite na TV ili LCD monitor, pošto on može da padne na vas i izazove ozbiljne povrede.

OPREZ

Ako se ne poštuju sledeće mere predostrožnosti, može da dođe do povreda ili oštećenja imovine.

- Obavezno sačuvajte neiskorišćene delove na sigurnom mestu za korišćenje u budućnosti. Čuvajte ih van domašaja dece.

Ne rukujte proizvodom sa prekomernom silom tokom čišćenja ili održavanja.

Ne primenjujte prekomernu silu na gornjoj strani TV-a ili LCD monitora. Ako to učinite, TV ili LCD monitor može da padne i izazove povrede ili oštećenje imovine.

Mere predostrožnosti

- Ako koristite TV ili LCD monitor instaliran na Nosaču za postavljanje na zid duže vremena, zid iza ili iznad TV-a ili LCD monitora može da promeni boju ili da se tapeta odlepi, u zavisnosti od materijala zida.
- Ako se Nosač za postavljanje na zid ukloni nakon postavljanja na zid, rupe za šrafove ostaju.
- Ne koristite Nosač za postavljanje na zid na mestu gde je izložen mehaničkim vibracijama.

SR

Postavljanje Nosača za postavljanje na zid

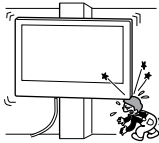
Za dilere kompanije Sony

UPOZORENJE

Sledeća uputstva su namenjena samo za dilere kompanije Sony. Obavezno pročitajte gore opisana bezbednosna uputstva i obratite posebnu pažnju na bezbednost tokom postavljanja, održavanja i provere ovog proizvoda.

Ne postavljajte Nosač za postavljanje na zid na zidnim površinama gde su uglovi ili strane TV-a ili LCD monitora izbočeni od površine zida.

Ne postavljajte Nosač za postavljanje na zid na zidnim površinama kao što je stub, gde su uglovi ili strane TV-a ili LCD monitora izbočeni od površine zida. Ako se desi da osoba ili predmet udare u izbočeni ugao ili bočnu stranu TV-a ili LCD monitora, to može da dovede do povreda ili oštećenje imovine.

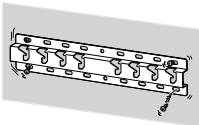


Ne postavljajte TV ili LCD monitor iznad ili ispod klima uređaja.

Ako je TV ili LCD monitor izložen dugo vreme prodoru vode ili toplom vazduhu iz klima uređaja, to može da dovede do požara, strujnog udara ili kvara na TV-u ili LCD monitoru.

Obavezno postavite Nosač za postavljanje na zid čvrsto na zid postupajući prema uputstvima iz ovog uputstva za upotrebu.

Ako bilo koji od vijaka postane labav ili ispadne, Nosač za postavljanje na zid može da padne i dovede do povreda ili oštećenja imovine. Obavezno koristite odgovarajuće vijke za materijal zida i postavite uređaj bezbedno pomoću četiri ili više vijaka prečnika 8 mm (ili ekvivalentne).



Obavezno pravilno koristite isporučene vijke i delove za pričvršćenje postupajući prema uputstvima iz ovog uputstva za upotrebu. Ako koristite delove koji nisu originalni, TV ili LCD monitor može da padne i da nekome dovede do telesne povrede ili do oštećenja TV-a ili LCD monitora.

Proverite da li ste pravilno sklopili nosač za zid postupajući prema datom postupku objašnjenom u ovom uputstvu za upotrebu.

Ako su bilo koji od vijaka labavi ili ispadnu, TV ili LCD monitor može da padne i da nekome dovede do telesne povrede ili do oštećenja TV-a ili LCD monitora.

Obavezno pritegnite vijke čvrsto u određenom položaju.

Ako propustite da to učinite, TV ili LCD monitor može da padne i da nekome dovede do telesne povrede ili do oštećenja TV-a ili LCD monitora.

Pazite da ne izlažete TV ili LCD monitor udaru tokom postavljanja.

Ako se TV ili LCD monitor izloži udaru, može da padne ili da se polomi. Ovo može da dovede do povreda.

Obavezno postavite TV ili LCD monitor na zid koji je istovremeno vertikalni i ravan.

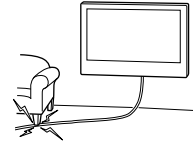
Ako propustite da to učinite, TV ili LCD monitor može da padne i izazove povrede.

Nakon pravilnog postavljanja TV-a ili LCD monitora, propisno obezbedite kablove.

Ako se ljudi ili predmeti zapletu sa kablovima, to može da dovede do povreda ili do oštećenja TV-a ili LCD monitora.

Ne dozvolite da strujni kabl ili kabl za povezivanje budu priklješteni.

Ako se strujni kabl ili kabl za povezivanje priklješti između uređaja i zida ili se savije ili iskrivi silom, unutrašnji provodnici mogu da postanu otkriveni i izazovu kratak spoj ili prekid struje. Ovo može da izazove požar ili strujni udar.



Vijci potrebni za pričvršćenje Nosača za postavljanje na zid se ne isporučuju.

Koristite odgovarajuće vijke za materijal i strukturu zida prilikom montiranja Nosača za postavljanje na zid.

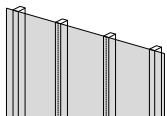
Pre početka korišćenja

- Ilustracije TV ili LCD monitora prikazane u ovom uputstvu su primeri koji se koriste da ponude jasna objašnjenja rukovanja. Zbog ovog razloga, ilustracije mogu da izgledaju različito od vašeg pravog TV ili LCD monitora.

Od čega je vaš zid napravljen?

Najpre, proverite koja je vrsta zida na koji želite da postavite TV ili LCD monitor.

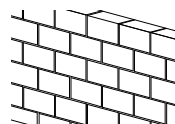
Suvi zid sa drvenim stubovima



Mere predostrožnosti

- Maksimalna debljina suvog zida: 16 mm.
- Proverite da li su dimenzije unutrašnjeg drvenog stuba najmanje 51 mm × 102 mm za standardnu ili 38 mm × 89 mm za stvarnu dimenziju.

Zid od punog betona ili od betonskih blokova



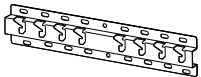








Mere predostrožnosti

- Nosač za postavljanje na zid možete direktno da montirate na zid od punog betona.
- Proverite da li je debljina betonskog zida najmanje 203 mm.
- Proverite da li je veličina pojedinačnog betonskog bloka najmanje 203 mm × 203 mm × 406 mm.




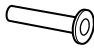

Provera delova

Isporučeno uz SU-WL450


- Proverite da li su svi delovi isporučeni.

<p>Ⓐ Osnova (20) (x1)</p> 	<p>Ⓑ Remenica (x2)</p> 	<p>Ⓒ Vijak (+PSW 6 x 20) (x4)</p> 	<p>Ⓔ Odstojnik (20 mm) (x2)</p> 
<p>Ⓕ Remen (x1)</p> 	<p>Ⓘ Spojnica za osnovu (x2)</p> 	<p>Ⓙ Vijak (+PSW 4 x 10) (x8)</p> 	<p>Ⓚ Odstojnik (60 mm) (x2)</p> 
<p>Ⓛ Vijak (+PSW 6 x 50) (x2)</p> 			

- Ovi delovi se ne mogu koristiti sa vašim modelom.

<p>Ⓓ Vijak (+PSW 4 x 20) sa čaurom (x2)</p> 	<p>Ⓔ Čaura (20) (M4) (x2)</p> 	<p>Ⓚ Vijak (+PSW 4 x 20) (x2)</p> 	<p>Ⓛ Čaura (M4) (x2)</p> 
<p>Ⓝ Vijak (+PSW 4 x 50) (x2)</p> 			



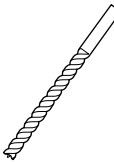
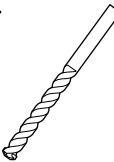
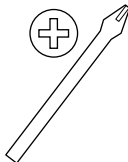
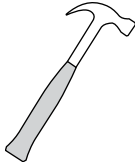
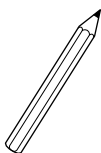
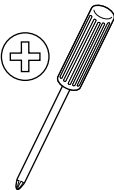
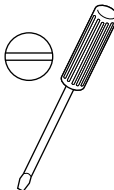
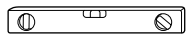




Isporučeno uz TV ili LCD monitor

<p>Priključak nosača za montažu na zid VS (x4)*</p> 
--

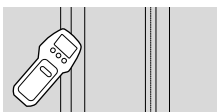
- * Samo za ograničen region/zemlju/model.

Priprema za postavljanje

- Neka vam pre postavljanja Referentni vodič za TV ili LCD monitor i Vodič za podešavanje budu pri ruci.
- Proverite položaj za postavljanje vašeg TV-a ili LCD monitora.
- Pripremite četiri ili više vijaka prečnika 8 mm i jedan vijak prečnika 5 mm ili ekvivalentan (nisu isporučeni). Izaberite vijke koji odgovaraju za materijal zida.
- Pripremite sledeće alate:

*1 		 5,5 mm	 10 mm	
*2 		 1,5 N·m {15 kgf·cm}	*3  1,5 N·m {15 kgf·cm}	
	*2  (x4)	 (x4) 8 mm × 60 mm	 5 mm	
*4 				

*1 Samo za suvi zid sa drvenim stubovima



*2 Samo za zid od punog betona ili zid od betonskih blokova

*3 Zavisi od modela

*4 Samo za TV ili LCD monitor od 189,3 cm (75 inča) i iznad (osim Egipta)
Samo za TV ili LCD monitor od 75 inča (189,3 cm) i iznad (samo Egipt)

Postavljanje na zid Nosača za postavljanje na zid

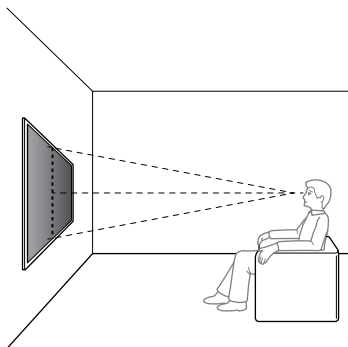
1 Odlučite o mestu za postavljanje.

Uverite se da mesto na zidu za bušenje rupa dovoljno jako da podnese težinu bar četiri puta veću od težine TV-a ili LCD monitora.

Pogledajte Referentni vodič svog TV-a ili LCD monitora radi težine TV-a ili LCD monitora.

Napomena

- Kada se TV ili LCD monitor montira na zid, gornja strana TV-a ili LCD monitora se malo nagne napred.
- Preporučujemo da vizuelno proverite okruženje mesta za TV ili LCD monitor.



2 Izaberite stil montaže na zid kao što je prikazano ispod.

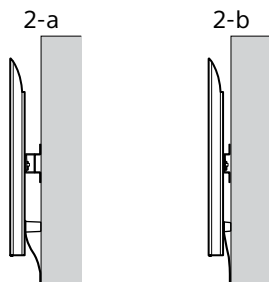
2-a: Standardna montaža

2-b: Uzana montaža

- Pogledajte „Postavljanje za instalaciju za Nosač za postavljanje na zid“ na strani 18.

UPOZORENJE

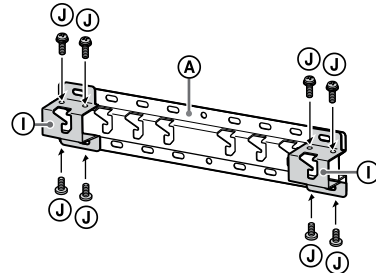
- Kada se izabere 2-b, pristup priključku na zadnjoj strani je ograničen.



3 Ako se standardna montaža (2-a) bira:

Postavite spojnicu za osnovu ① pomoću Vijka (+PSW 4 × 10) ② na osnovu (20) ③.

- Pogledajte „Lokacija postavljanja spojnice za osnovu ①“ na strani 19.



Npr., postavljanje spojnice za osnovu ① na lokaciju „a“

Ako se uzana montaža (2-b) bira:

Preskočite ovaj korak.

4 Odlučite o položajima vijaka za postavljanje osnove (20) ③.

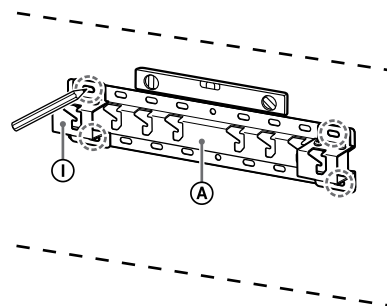
- Pogledajte „Specifikacije“ na strani 18.

UPOZORENJE

- Odredite jačinu zida na koji će TV ili LCD monitor biti montiran. Ojačajte dovoljno zid, ako je potrebno.
- Zid na koji će se montirati TV ili LCD monitor treba da bude u stanju da podnese težinu od najmanje četiri puta težine TV-a ili LCD monitora. (Pogledajte Referentni vodič svog TV-a ili LCD monitora radi njegove težine.)

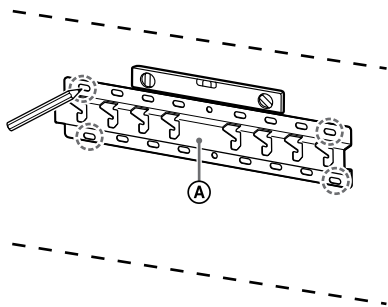
Ako se standardna montaža (2-a) bira:

Koristite rupe u pozicijama spojnice za osnovu ①.



Npr., obeležavanje na lokaciji „a“ da odgovara osnovi (20) ③

Ako se uzana montaža (2-b) bira:

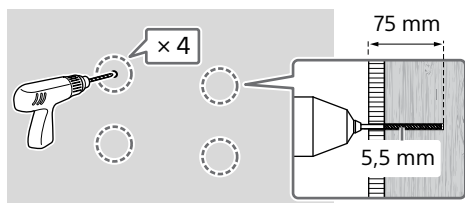


Npr., obeležavanje na lokaciji „a“ da odgovara osnovi (20) A

5 Probušite vodeće rupe na oznakama.

Uverite se da mesto na zidu za bušenje rupa dovoljno jako da podnese težinu bar četiri puta veću od težine TV-a ili LCD monitora.

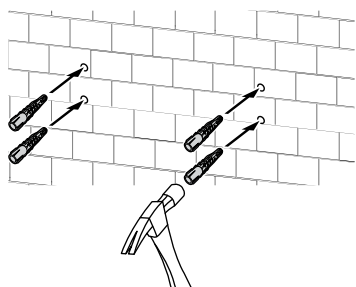
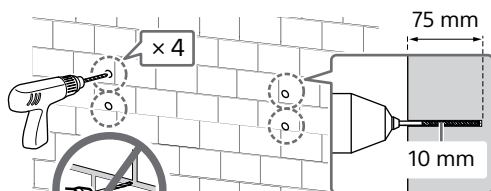
Bušenje na suvom zidu sa drvenim stubovima:



Napomena

- Rupe za navođenje moraju biti probušene do dubine od 75 mm pomoću burgije prečnika od 5,5 mm.

Bušenje na zidu od punog betona ili zidu od betonskih blokova:



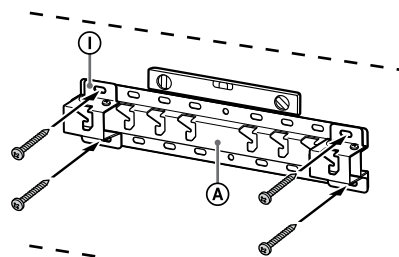
6 Postavite osnovu (20) A na zid odgovarajućim vijcima (nije isporučeno).

Napomena

- Upotrebite četiri ili više vijaka prečnika 8 mm ili ekvivalentne (nisu isporučeni).
- Koristite libelu da biste proverili da li je osnova (20) A u ravni.

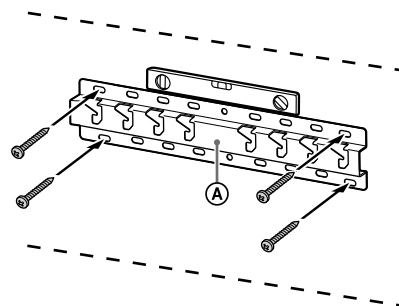
Ako se standardna montaža (2-a) bira:

Postavite četiri vijka u rupe spojnice osnove ① sa osnovom (20) A.



Npr., postavljanje osnove (20) A na lokaciju sa „a“

Ako se uzana montaža (2-b) bira:



Npr., postavljanje osnove (20) A na lokaciju sa „a“

7 Samo KD-85X8xL / 85X8xBL / 75X8xL / 75X8xBL, KM-85X8xL / 75X8xL, XR-85X9xL / 75X9xL, XRM-85X9xL / 75X9xL

Obeležite mesto postavljanja na zidu.

Koristite krep-traku (nije isporučena) ili sličan proizvod da biste obeležili mesto TV-a ili LCD monitora blizu osnove (20) A ili spojnice za osnovu ①.

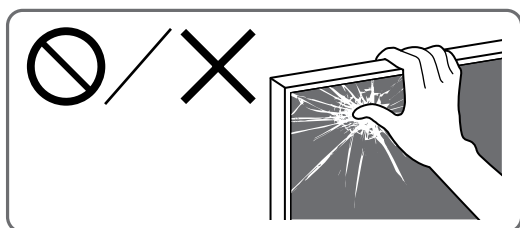
- Pogledajte „Postavljanje TV-a ili LCD monitora na zid instalacije lokacije“ na strani 20.

Osim za KD-85X8xL /
85X8xBL / 75X8xL / 75X8xBL,
KM-85X8xL / 75X8xL,
XR-85X9xL / 75X9xL,
XRM-85X9xL / 75X9xL
Preskočite ovaj korak.

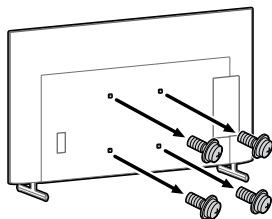
Priprema za postavljanje TV-a ili LCD monitora

Napomena

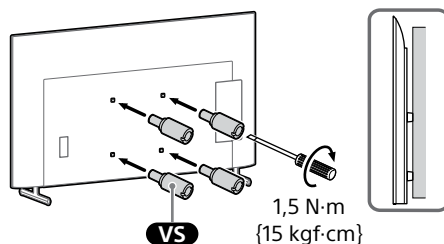
- Obavezno čuvajte uklonjene vijke i neiskorišćene delove na bezbednom mestu, držeći ih dalje od dece.



- 1 Prikačite postolje za vrh stola da bi TV ili LCD monitor stajao.
 - Pogledajte Vodič za podešavanje svog TV-a ili LCD monitora.
- 2 Izvadite vijke sa zadnje strane TV-a ili LCD monitora.



- 3 Pričvrstite priključak nosača za montažu za zid **VS** (isporučen uz TV ili LCD monitor) na poledinu TV-a ili LCD monitora (da bi bio paralelan sa zidom).



Napomena

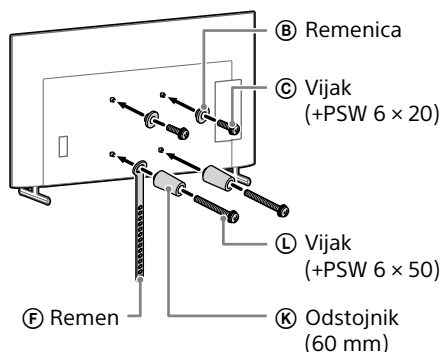
- Obavezno osigurajte priključak nosača za montažu na zid **VS** kada ga pričvršćujete za TV ili LCD monitor.
Koristite samo odvijač sa običnom pljosnatom glavom za postavljanje priključka nosača za postavljanje na zid **VS**. Upotreba drugog alata može da izazove preterano pritezanje priključka nosača za montažu na zid **VS** i oštećenje TV-a ili LCD monitora.

- 4 Pričvrstite delove za pričvršćenje za Nosač za postavljanje na zid. Proverite delove za pričvršćenje pozivajući se na „Isporučeno uz SU-WL450“ u „Provera delova“ na strani 6.

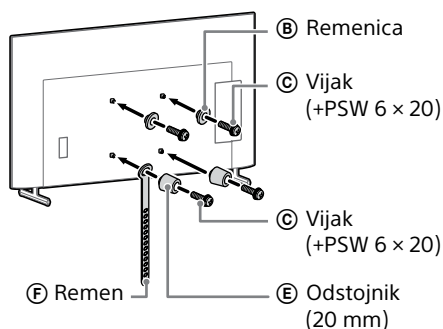
Napomena

- Čvrsto osigurajte delove za pričvršćenje pomoću vijaka.
- Kada koristite električni odvijač, podesite zatezni momenat na približno 1,5 N·m {15 kgf·cm}.

Ako se standardna montaža (2-a) bira:



Ako se uzana montaža (2-b) bira:



5 Povežite potrebni kabl(ove) sa TV-om ili LCD monitorom.

Obavezno povežite kablove pre postavljanja TV-a ili LCD monitora na zid. Nećete moći da povežete kablove kada se TV ili LCD monitor postavi.

Napomena

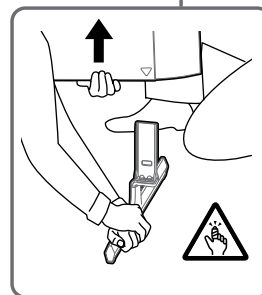
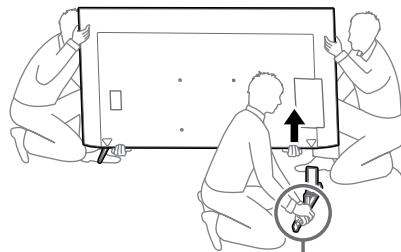
- Polaganje kablova u zid poverite licenciranom monteru.
- Pre postavljanja na zid, svežite kablove za povezivanje da ih ne biste gazili.

6 Odvojite postolja za sto od TV-a ili LCD monitora.

Sledeća ilustracija je primer rukovanja.

Osim za KD-75X85L / 65X85L / 65X85BL / 55X85L, KM-75X85L / 65X85L / 55X85L, XR-85X90L / 75X90L / 65X90L / 55X90L, XRM-85X90L / 75X90L / 65X90L / 55X90L

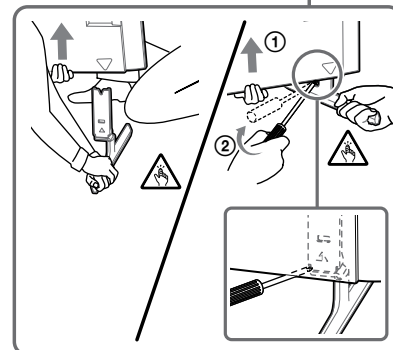
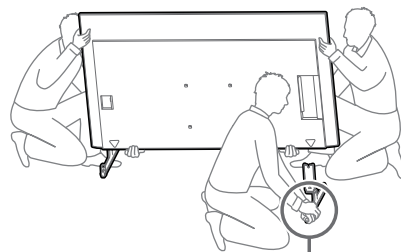
- Uklanjajte jednu po jednu stranu postolja za sto. Čvrsto držite postolja za sto sa obe ruke dok drugi ljudi podižu TV ili LCD monitor.



- Ponovite prethodni korak i uklonite drugu stranu postolja za sto.

Samo KD-75X85L / 65X85L / 65X85BL / 55X85L, KM-75X85L / 65X85L / 55X85L

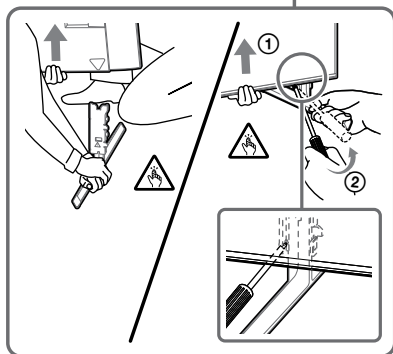
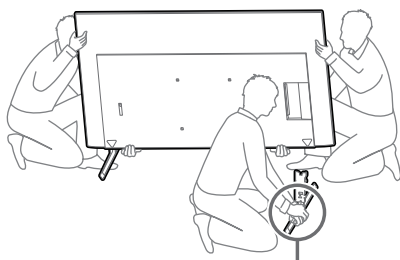
- Uklanjajte jednu po jednu stranu postolja za sto. Čvrsto držite postolja za sto sa obe ruke dok drugi ljudi podižu TV ili LCD monitor.



- Ponovite prethodni korak i uklonite drugu stranu postolja za sto.

Samo XR-85X90L / 75X90L / 65X90L / 55X90L, XRM-85X90L / 75X90L / 65X90L / 55X90L

- Uklanjajte jednu po jednu stranu postolja za sto. Čvrsto držite postolje za sto sa obe ruke dok drugi ljudi podižu TV ili LCD monitor.



- Ponovite prethodni korak i uklonite drugu stranu postolja za sto.

Napomena

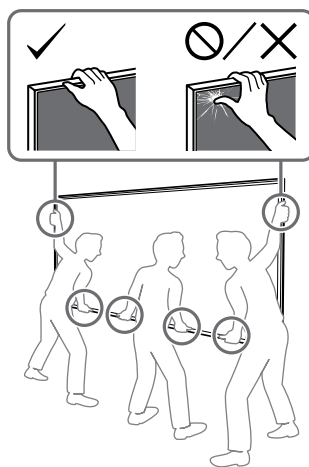
- Troje ili više ljudi je potrebno za odvajanje postolja za sto.
- Vodite računa da prilikom odvajanja postolja za sto od TV-a ili LCD monitora ne koristite prekomernu silu jer to može da dovede do pada TV-a ili LCD monitora i izazove telesnu povredu ili fizičko oštećenje TV-a ili LCD monitora.
- Pažljivo rukujte sa postoljem za sto da ne biste oštetili TV ili LCD monitor.
- Pažljivo podižite TV ili LCD monitor dok odvajate postolje za sto da se ne bi prevrnulo i izazvalo povredu.
- Pažljivo odvojite postolje za sto od TV-a ili LCD monitora da ne bi palo i oštetilo površinu na kojoj se nalazi TV ili LCD monitor.

Postavljanje TV-a ili LCD monitora na zid

Samo KD-85X8xL / 85X8xBL / 75X8xL / 75X8xBL, KM-85X8xL / 75X8xL, XR-85X9xL / 75X9xL, XRM-85X9xL / 75X9xL

UPOZORENJE

- Dve ili više osoba (tri ili više osoba za TV ili LCD monitor od 189,3 cm (75 inča) i više) potrebne su za transport velikog TV-a ili LCD monitora (osim Egipta). Dve ili više osoba (tri ili više osoba za TV ili LCD monitor od 75 inča (189,3 cm) i više) potrebne su za transport velikog TV-a ili LCD monitora (samo Egipat).



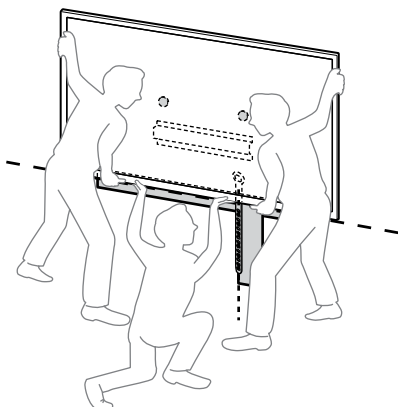
1 Podignite TV ili LCD monitor.

- Za lokacije remenica (B) koje treba da vise na osnovi (20) (A) ili spojnicu za osnovu (1), pogledajte „Lokacija postavljanja spojnice za osnovu (1)“ na strani 19.
- Uverite se da zadnja strana TV-a ili LCD monitora dodiruje osnovu (20) (A) ili spojnicu za osnovu (1) kada držite TV ili LCD monitor.

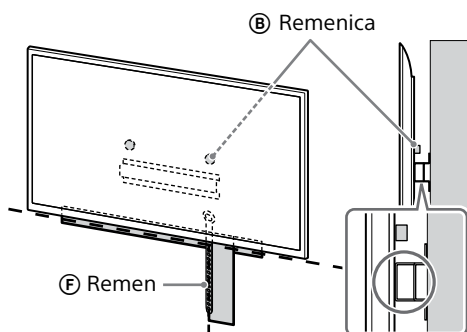
Napomena

- Čvrsto držite TV ili LCD monitor sa obe ruke i poravnajte remen (F) i donji deo TV-a ili LCD monitora sa krep-trakom.

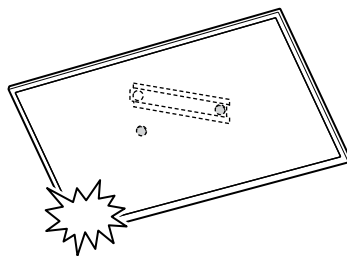
- TV ili LCD monitor treba da nose tri osobe, pri čemu osoba ispred TV-a ili LCD monitora treba da navodi druge dve na odgovarajuću poziciju.



- Budite veoma oprezni kada postavljate TV ili LCD monitor na zid, naročito osoba koja pridržava TV ili LCD monitor odozdo, jer TV ili LCD monitor može da padne i izazove ozbiljnu povredu ili čak smrt.



- Polako otpustite obe ruke da TV ili LCD monitor ne bio pao.

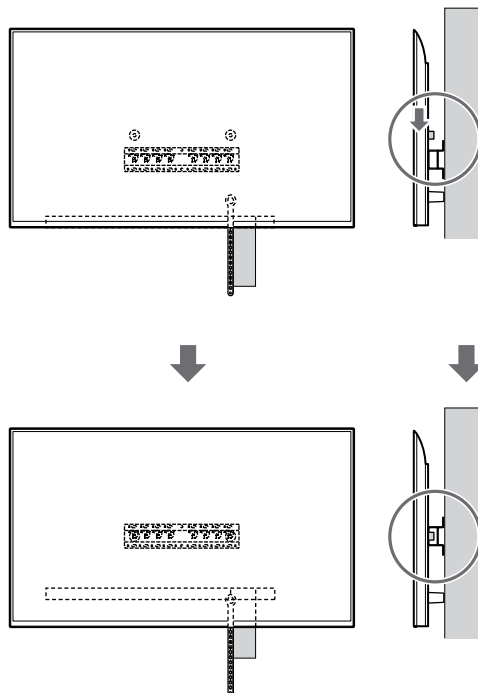
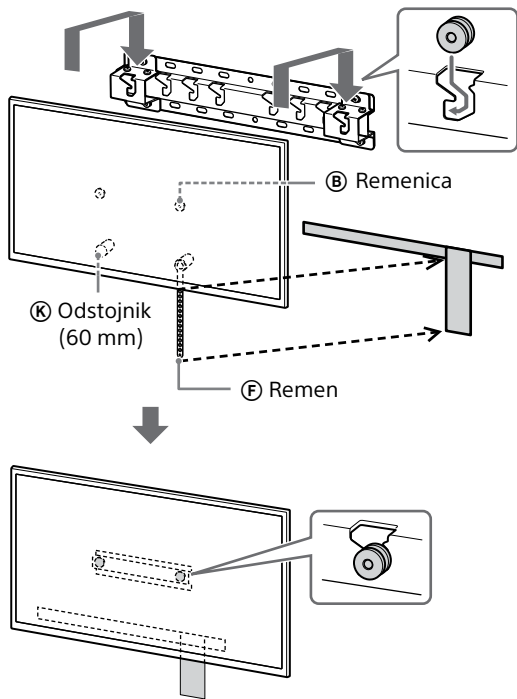


- Kada postavite TV ili LCD monitor na zid, uklonite krep-traku sa zida.

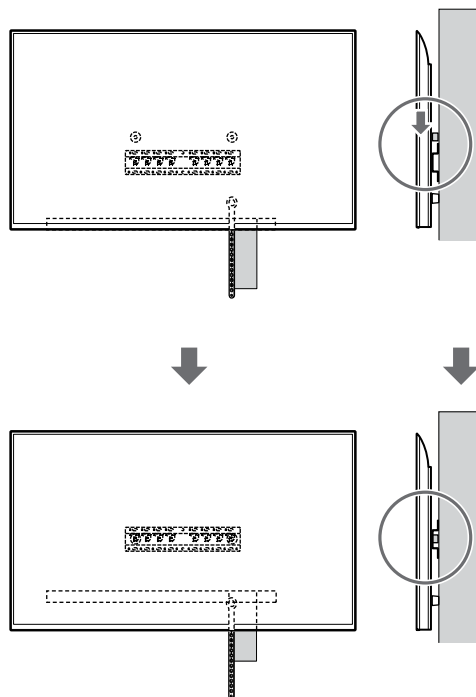
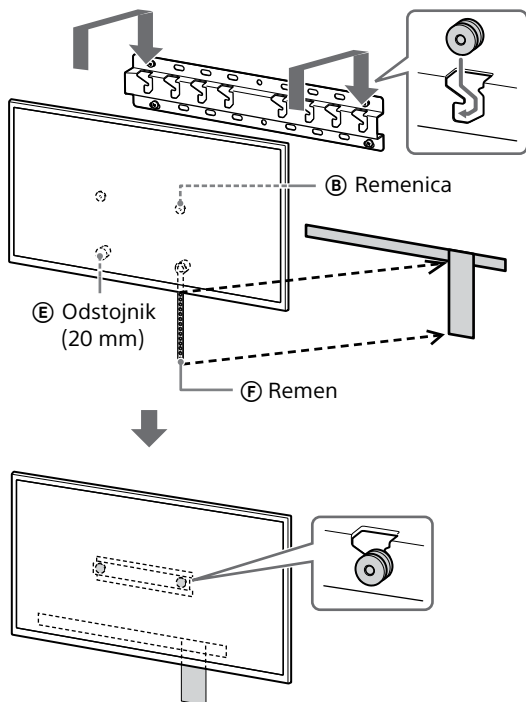
2 Postavite TV ili LCD monitor na osnovu (20) A ili spojnicu za osnovu 1.

- Pažljivo pomerite TV ili LCD monitor i okačite remenice B na zadnjoj strani TV-a ili LCD monitora na osnovu (20) A ili spojnicu za osnovu 1 vodeći računa da odgovaraju obliku otvora.
- Nakon montaže TV-a ili LCD monitora na zid, proverite da li su remenice B čvrsto pričvršćene u osnovu (20) A ili spojnicu za osnovu 1.

Ako se standardna montaža (2-a) bira:

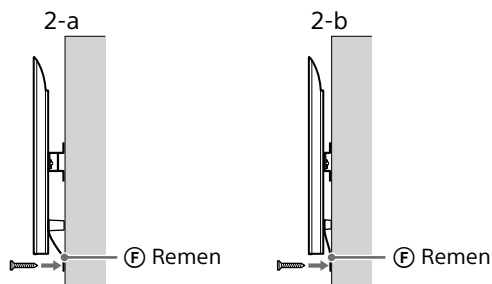


Ako se uzana montaža (2-b) bira:



3 Sprečavanje pomeranja dna TV-a ili LCD monitora.

- Podignite labavi deo remena ⑥ i pričvrstite ga čvrsto na zid.



- Upotrebite vijak prečnika 5 mm ili ekvivalentan (nije isporučen).

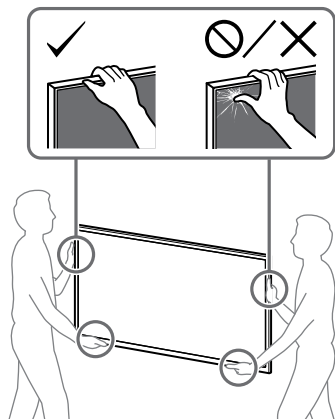
Napomena

- Pokušajte da povučete dno TV-a ili LCD monitora malo napred prema vama, da biste se uverili da se ne pomera napred. Ako postoji bilo kakvo pomeranje, on nije ispravno pričvršćen, a remen ⑥ treba ponovo čvrsto da se pričvrsti.

Osim za KD-85X8xL / 85X8xBL / 75X8xL / 75X8xBL, KM-85X8xL / 75X8xL, XR-85X9xL / 75X9xL, XRM-85X9xL / 75X9xL

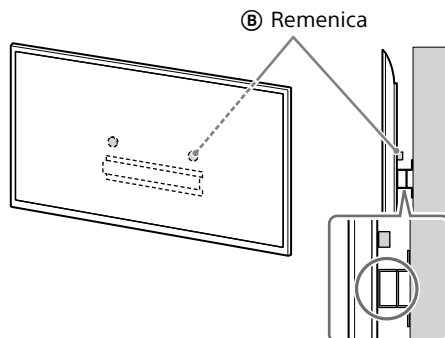
UPOZORENJE

- Dve ili više osoba (tri ili više osoba za TV ili LCD monitor od 189,3 cm (75 inča) i više) potrebne su za transport velikog TV-a ili LCD monitora (osim Egipta). Dve ili više osoba (tri ili više osoba za TV ili LCD monitor od 75 inča (189,3 cm) i više) potrebne su za transport velikog TV-a ili LCD monitora (samo Egipt).



1 Podignite TV ili LCD monitor.

- Za lokacije remenica ② koje treba da vise na osnovi (20) ① ili spojnici za osnovu ①, pogledajte „Lokacija postavljanja spojnice za osnovu ①” na strani 19.
- Uverite se da zadnja strana TV-a ili LCD monitora dodiruje osnovu (20) ① ili spojnicu za osnovu ① kada držite TV ili LCD monitor.

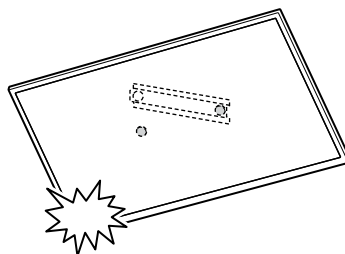


Napomena

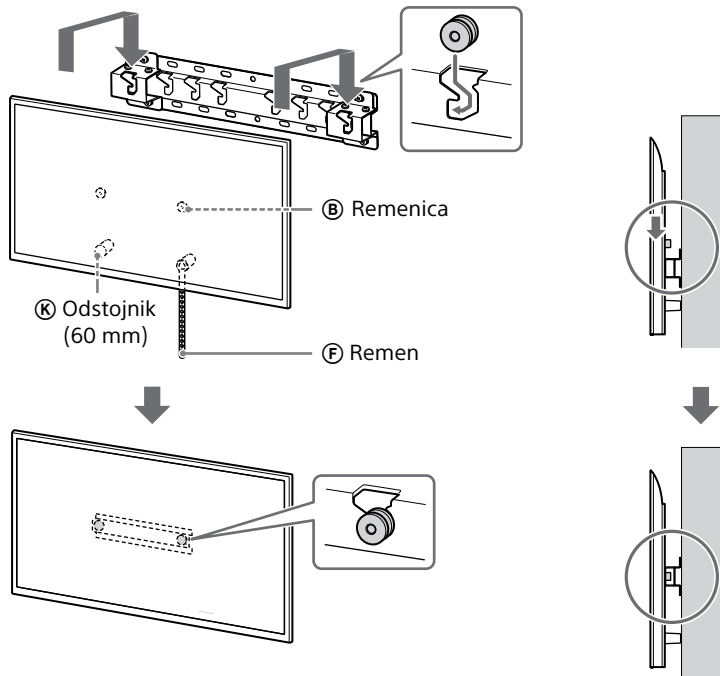
- Čvrsto držite TV ili LCD monitor sa obe ruke.

2 Postavite TV ili LCD monitor na osnovu (20) ① ili spojnicu za osnovu ①.

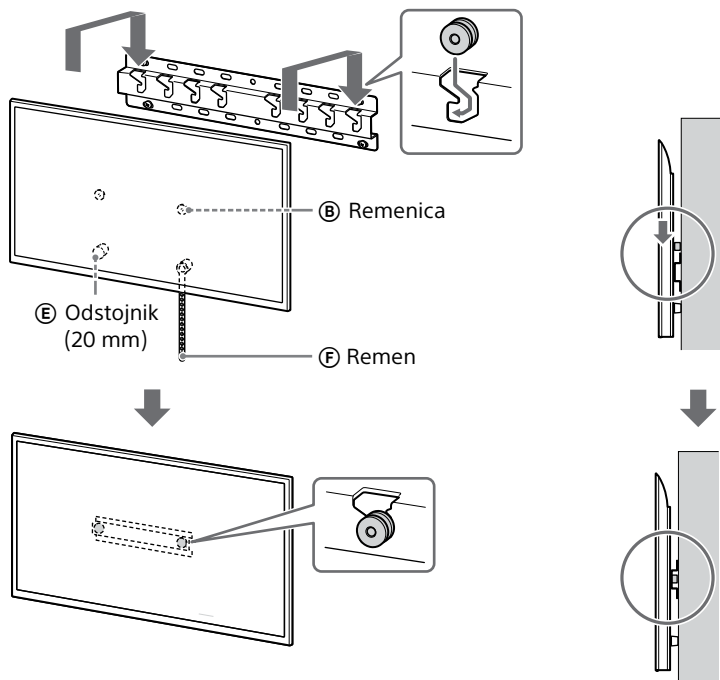
- Pažljivo pomerite TV ili LCD monitor i okačite remenice ② na zadnjoj strani TV-a ili LCD monitora na osnovu (20) ① ili spojnicu za osnovu ① vodeći računa da odgovaraju obliku otvora.
- Nakon montaže TV-a ili LCD monitora na zid, proverite da li su remenice ② čvrsto pričvršćene u osnovu (20) ① ili spojnicu za osnovu ①.
- Polako otpustite obe ruke da TV ili LCD monitor ne bio pao.



Ako se standardna montaža (2-a) bira:

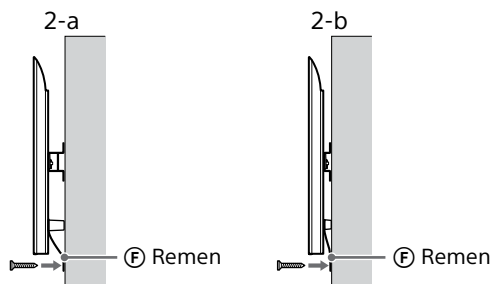


Ako se uzana montaža (2-b) bira:



3 Sprečavanje pomeranja dna TV-a ili LCD monitora.

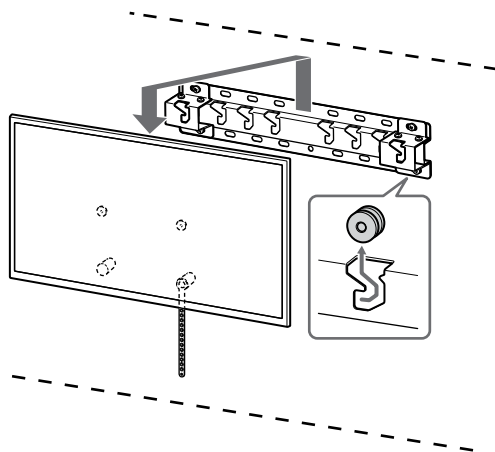
- Podignite labavi deo remena (F) i pričvrstite ga čvrsto na zid.



- Upotrebite vijak prečnika 5 mm ili ekvivalentan (nije isporučan).

Napomena

- Pokušajte da povučete dno TV-a ili LCD monitora malo napred prema vama, da biste se uverili da se ne pomera napred. Ako postoji bilo kakvo pomeranje, on nije ispravno pričvršćen, a remen (F) treba ponovo čvrsto da se pričvrsti.



UPOZORENJE

- Dve ili više osoba (tri ili više osoba za TV ili LCD monitor od 189,3 cm (75 inča) i više) potrebne su za transport velikog TV-a ili LCD monitora (osim Egipta). Dve ili više osoba (tri ili više osoba za TV ili LCD monitor od 75 inča (189,3 cm) i više) potrebne su za transport velikog TV-a ili LCD monitora (samo Egipat).

Potvrđivanje završetka postavljanja

Proverite sledeće tačke.

- Remenice (B) su čvrsto okačene na osnovu (20) (A) ili spojnicu za osnovu (1).
- Strujni kabl i kabl nisu uvrnuti ili priklješteni.
- Remen (F) je zategnut bez labavog dela.

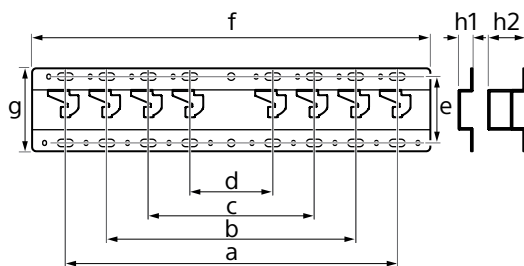
UPOZORENJE

- Nepropisno postavljanje strujnog kabla naizmenične struje, i slično, može da dovede do požara ili strujnog udara preko kratkog spoja. Obavezno proverite završetak postavljanja radi bezbednosti.

Ostale informacije

Prilikom skidanja TV-a ili LCD monitora, postupajte obrnutim redosledom od prethodnog postupka za postavljanje.

Specifikacije



Dimenzije: (približ.) [mm]

- a : 400
- b : 300
- c : 200
- d : 100
- e : 80
- f : 480
- g : 100

- h1 : 20 (za uzanu montažu, 2-b)
- h2 : 60 (za standardnu montažu, 2-a)

Težina (samo osnova): (približ.) [kg]

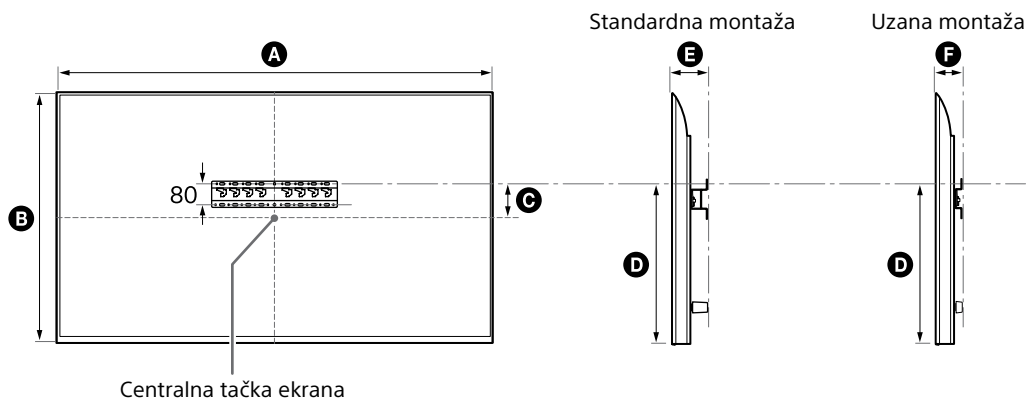
0,8

Dizajn i specifikacije podležu izmenama bez obaveštenja.

Reference

Postavljanje za instalaciju za Nosač za postavljanje na zid

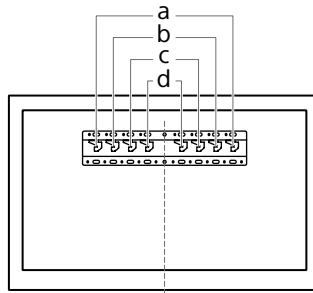
Cifre u tabeli mogu neznatno da se razlikuju u zavisnosti od montaže.



(mm)

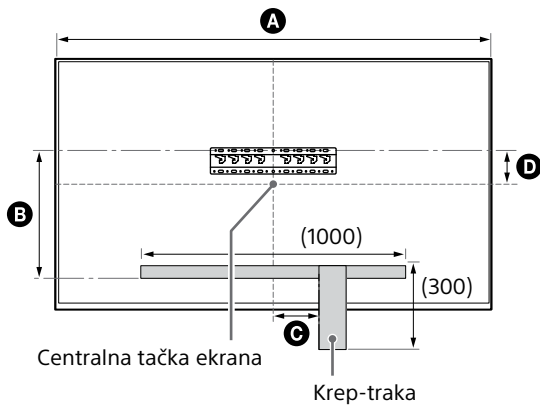
Naziv modela	A	B	C	D	E	F
KD-85X81BL / 85X80L KM-85X80L	1901	1090	43	592	138	96
XR-85X90L XRM-85X90L	1891	1085	58	607	125	83
KD-75X85L KM-75X85L	1671	960	21	508	123	81
KD-75X81BL / 75X80L KM-75X80L	1675	962	12	493	137	95
XR-75X90L XRM-75X90L	1668	959	21	508	123	81
KD-65X85L / 65X85BL KM-65X85L	1447	832	85	505	123	81
KD-65X81BL / 65X80L KM-65X80L	1452	836	76	494	135	93
XR-65X90L XRM-65X90L	1445	831	85	505	123	81
KD-55X85L KM-55X85L	1228	709	146	505	122	81
KD-55X81BL / 55X80L KM-55X80L	1233	713	133	494	135	93
XR-55X90L XRM-55X90L	1225	707	146	505	122	81
KD-50X80L KM-50X80L	1119	649	63	392	133	91
KD-43X80L KM-43X80L	964	563	111	392	133	91

Lokacija postavljanja spojnice za osnovu ①



Naziv modela	Mesto za kuke	Naziv modela	Mesto za kuke
KD-85X81BL / 85X80L KM-85X80L XR-85X90L XRM-85X90L	a	KD-55X85L / 55X81BL / 55X80L KM-55X85L / 55X80L XR-55X90L XRM-55X90L	b
KD-75X85L / 75X81BL / 75X80L KM-75X85L / 75X80L XR-75X90L XRM-75X90L	b	KD-50X80L KM-50X80L	c
KD-65X85L / 65X85BL / 65X81BL / 65X80L KM-65X85L / 65X80L XR-65X90L XRM-65X90L	b	KD-43X80L KM-43X80L	c

Postavljanje TV-a ili LCD monitora na zid instalacije lokacije



(mm)

Naziv modela	A	B	C	D
KD-85X81BL / 85X80L KM-85X80L	1901	472	200	43
XR-85X90L XRM-85X90L	1891	486	200	58
KD-75X85L KM-75X85L	1671	388	150	21
KD-75X81BL / 75X80L KM-75X80L	1675	373	150	12
XR-75X90L XRM-75X90L	1668	388	150	21

使用 Sony 挂壁式支架 (SU-WL450) 的安装信息

支持型号*:

* 在实际机型名称中, “x” / “xx” 指的是特定于每个型号的数字和/或字符。

KD-85X8xL / 85X8xBL / 75X8xL / 75X8xBL / 65X8xL / 65X8xBL / 55X8xL / 55X8xBL / 50X8xL / 43X8xL

KM-85X8xL / 75X8xL / 65X8xL / 55X8xL / 50X8xL / 43X8xL

XR-85X9xL / 75X9xL / 65X9xL / 55X9xL

XRM-85X9xL / 75X9xL / 65X9xL / 55X9xL

致顾客

为保护产品和安全理由, Sony 坚持建议安装您的电视机或 LCD 监视器的任务由 Sony 经销商或授权承包商进行。请勿尝试自行安装。

致 Sony 经销商和承包商

安装、定期维修和检查此产品时, 请务必注意安全。

安装本产品需要足够的专业技能, 尤其是确定用于承受电视机或 LCD 监视器重量的墙壁的强度。务必将本产品的墙上安装托付于 Sony 经销商或授权承包商并在安装时特别注意安全。对于处置不当或安装不妥造成的损害或人身伤害, Sony 将不负责任。

为了确保安全和正确安装, 请遵循挂壁式支架使用说明书、电视机或 LCD 监视器设定指南以及本手册中的说明。

挂壁式支架

安全事项

感谢您购买本产品。

致顾客

将电视机或 LCD 监视器安装到墙壁上



警告

需要专业安装

本产品应仅由专业安装人员安装，该安装人员必须经过培训，能确定承受电视机或 LCD 监视器重量的墙壁强度。安装期间若未正确固定，电视机或 LCD 监视器可能会掉落并造成严重受伤。对于因处理或安装不当，或安装任何非指定产品而造成的任何损害或受伤，Sony 概不负责。您的法定权利（若有）不受影响。

致 Sony 经销商

安装本产品要求具有一定的技术。为安全地进行安装工作，请务必仔细阅读本使用说明书。Sony 对操作不当或安装不正确而引起的任何损坏或伤害均不负责。请在完成安装后将本说明书交给用户。

本使用说明书介绍了正确使用本产品的信息，以及为防止事故发生需注意的重要事项。您有责任阅读、通晓并遵照本使用说明书中的指示。否则可能会导致严重的人身伤害或财产损失，并可能会使保修无效。保存好本说明书以备将来参考。

Sony 的产品设计非常注重安全。然而，如果不正确使用这些产品，则可能因火灾、电击、产品倾侧或产品跌落而导致人员严重受伤。请务必遵守安全注意事项以防止此类事故发生。

注意

指定产品

本挂壁式支架设计用于指定产品的电视机或 LCD 监视器。请参阅电视机或 LCD 监视器的参考指南，确定本挂壁式支架是否可用于该电视机或 LCD 监视器。

致顾客

警告

如果不遵守下列注意事项，则因火灾、电击或产品跌落而导致人员严重受伤或死亡。

请务必将安装工作委托给经许可的承包商，并确保在安装过程中无儿童接近。

如果挂壁式支架或电视机或 LCD 监视器安装不正确，则可能发生下列事故。请确保安装工作由经许可的承包商进行。

- 电视机或 LCD 监视器可能跌落并造成人员严重受伤，如擦伤或骨折等。
- 如果安装挂壁式支架的墙体不平稳、不平整或与地面不垂直，则装置可能会跌落，从而造成人员受伤或财产损失。墙体能承受的重量应该至少是电视机或 LCD 监视器重量的四倍。（请参阅您电视机或 LCD 监视器的参考指南，了解其重量。）
- 如果墙壁上安装的挂壁式支架不够牢固，则装置可能会跌落并造成人员受伤或财产损失。

请务必将电视机或 LCD 监视器的搬移或拆卸工作委托给经许可的承包商进行。

如果由经许可的承包商之外的其他人员进行电视机或 LCD 监视器的搬移或拆卸工作，则电视机或 LCD 监视器可能跌落并造成人员受伤或财产损失。搬运大型电视机或 LCD 监视器需要两个或两个以上（189.3 cm (75 英寸) 及以上的电视机型号或 LCD 监视器需要三个或三个以上）的人员（埃及除外）。搬运大型电视机或 LCD 监视器需要两个或两个以上（75 英寸 (189.3 cm) 及以上的电视机型号或 LCD 监视器需要三个或三个以上）的人员（仅限埃及）。

电视机或 LCD 监视器安装完之后，请勿拆下螺丝等零件。

否则，电视机或 LCD 监视器可能会跌落并造成人员受伤或财产损失。

请勿改装挂壁式支架的零部件。

否则，挂壁式支架可能会跌落并造成人员受伤或财产损失。

请勿将指定产品之外的其他设备安装到支架上。

本挂壁式支架系为指定产品专门设计。如果您安装非指定设备，则支架可能跌落或破裂，并造成人员受伤或财产损失。

除电视机或 LCD 监视器之外，请勿在挂壁式支架上再加挂其他重物。

请勿左右或上下摇晃电视机或 LCD 监视器。

否则，电视机或 LCD 监视器可能会跌落并造成人员受伤或财产损失。

请勿倚靠或吊挂在电视机或 LCD 监视器上。

请勿倚靠或吊挂在电视机或 LCD 监视器上，因为电视机或 LCD 监视器可能跌落到您身上，并造成人员严重受伤。

注意

如果不遵守下列注意事项，则可能导致人员受伤或财产损失。

- 务必将未使用的部件存放在安全的地方，以备日后使用。
请将部件远离儿童。

在清洁或维护过程中，请勿对产品施加过大的力量。

请勿在电视机或 LCD 监视器的顶部施加过大的力量。否则，电视机或 LCD 监视器可能会跌落并造成人员受伤或财产损失。

预先注意事项

- 如果长期使用安装于挂壁式支架的电视机或 LCD 监视器，则视墙面材料而定，电视机或 LCD 监视器后面或上面的墙面可能会褪色，或出现墙纸脱落。
- 如果在墙壁上安装挂壁式支架后再将其拆下，则墙壁上会留下螺丝孔。
- 请勿在容易受到机械振动的地方使用挂壁式支架。

安装挂壁式支架

致 Sony 经销商

警告

下列说明仅适用于 Sony 经销商。请务必阅读上述安全注意事项，并在安装、维护和检查本产品时特别注意安全。

请勿将挂壁式支架装在会使电视机或 LCD 监视器的边角或侧面突出于墙面的墙壁位置。

请勿将挂壁式支架装在柱子等会使电视机或 LCD 监视器的边角或侧面突出于墙面的墙壁位置。如果有人或物体正巧撞到电视机或 LCD 监视器的边角或侧面，则会引起人员受伤或财产损失。



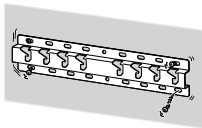
请勿将电视机或 LCD 监视器安装在空调的上面或下方。

如果电视机或 LCD 监视器长期接触空调的滴水，或长期暴露于空调的气流中，则可能造成火灾、电击或电视机或 LCD 监视器故障。

CS

请务必按照本使用说明书中的指示牢固地将挂壁式支架安装在墙上。

如果有螺丝松动或掉落，则挂壁式支架会跌落并造成人员受伤或财产损失。请务必使用适合墙壁材料的螺丝牢固安装本装置。固定时请使用四个或更多个 8 mm 直径（或相当规格）的螺丝。



请务必按照本使用说明书中给出的指示正确使用提供的螺丝和附件。如果使用其他替代零件，则电视机或 LCD 监视器可能会跌落，并造成人身伤害或电视机或 LCD 监视器损坏。

请务必按照本使用说明书中介绍的步骤正确安装支架。

如果有螺丝松动或掉落，则电视机或 LCD 监视器可能会跌落，并造成人身伤害或电视机或 LCD 监视器损坏。

请务必拧紧指定位置的螺丝。

如果操作不当，则电视机或 LCD 监视器可能会跌落，并造成人身伤害或电视机或 LCD 监视器损坏。

请小心勿使电视机或 LCD 监视器在安装过程中受到振动。

如果电视机或 LCD 监视器受到振动，它可能会跌落或裂开。这可能会引起人员受伤。

请务必将电视机或 LCD 监视器安装在垂直且平坦的墙壁上。

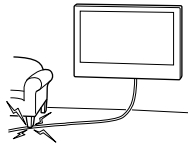
否则，电视机或 LCD 监视器可能跌落并造成人员受伤。

正确安装电视机或 LCD 监视器后，请正确固定电缆。

如果电缆缠住人或物体，则可能导致人员受伤或电视机或 LCD 监视器损坏。

请勿夹住交流电源线或连接电缆。

如果交流电源线或连接电缆被夹在装置和墙壁之间或被用力弯曲、缠绕，则内部导线可能会裸露在外并造成短路或断路。这可能会引起火灾或电击。



不提供用于将挂壁式支架固定于墙壁的螺丝。

在安装挂壁式支架时，请使用适合墙壁材料和结构的螺丝。

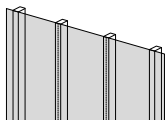
事先准备

- 本说明书中所示的电视机或 LCD 监视器的图例，是为了清晰地对操作进行说明的示例。因此，图例可能看起来与实际电视机或 LCD 监视器不同。

墙体是什么结构？

首先，请确认用于安装电视机或 LCD 监视器的墙体类型。

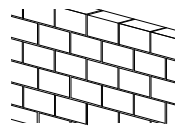
有立柱的干砌墙



预先注意事项

- 干砌墙最大厚度：16 mm。
- 请确保内部木立柱尺寸至少为 51 mm × 102 mm（通用）或 38 mm × 89 mm（标称）。

实心混凝土或混凝土砖



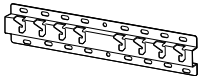






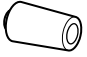

预先注意事项

- 请将挂壁式支架直接安装至实心混凝土墙上。
- 请确保实心混凝土墙壁厚度至少为 203 mm。
- 请确保每块混凝土砖的大小至少为 203 mm × 203 mm × 406 mm。




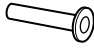

检查零件

SU-WL450 随附部件

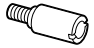
- 确认已包含所有零件。

<p>Ⓐ 底座 (20) (×1)</p> 	<p>Ⓑ 滑轮 (×2)</p> 	<p>Ⓒ 螺丝 (+PSW 6 × 20) (×4)</p> 	<p>Ⓔ 垫片 (20 mm) (×2)</p> 
<p>Ⓕ 皮带 (×1)</p> 	<p>Ⓘ 底座转接器 (×2)</p> 	<p>Ⓙ 螺丝 (+PSW 4 × 10) (×8)</p> 	<p>Ⓚ 垫片 (60 mm) (×2)</p> 
<p>Ⓛ 螺丝 (+PSW 6 × 50) (×2)</p> 			

- 这些零件可能不用于您的型号。

<p>Ⓖ 带套管的螺丝 (+PSW 4 × 20) (×2)</p> 	<p>Ⓞ M4套管 (20) (×2)</p> 	<p>Ⓜ 螺丝 (+PSW 4 × 20) (×2)</p> 	<p>Ⓝ M4套管 (×2)</p> 
<p>Ⓝ 螺丝 (+PSW 4 × 50) (×2)</p> 			



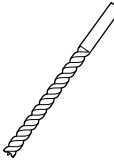
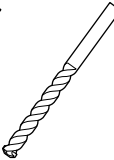
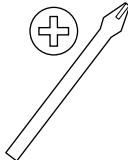
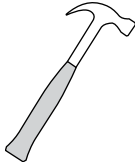
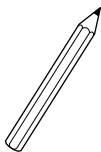
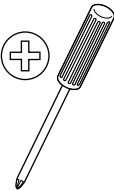
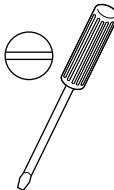




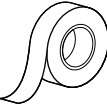
随电视机或 LCD 监视器提供

<p>挂壁式螺栓 VS (×4) *</p> 

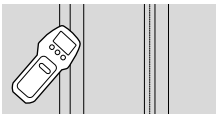
- * 仅针对有限的地区/国家/型号。

准备安装

- 开始安装前，请将本电视机或 LCD 监视器的参考指南和设定指南放于手边，方便查阅。
- 确认电视机或 LCD 监视器的安装位置。
- 准备四个或更多个 8 mm 直径和一个 5 mm 直径或相当规格的螺丝（不提供）。选择适合墙壁材料的螺丝。
- 准备以下工具：

*1			 5.5 mm	 10 mm	
*2			 1.5 N·m {15 kgf·cm}	 1.5 N·m {15 kgf·cm}	
		*2  (×4)	 (×4) 8 mm × 60 mm	 5 mm	
*4					

*1 仅适用于有立柱的干砌墙



*2 仅适用于实心混凝土或混凝土砖

*3 取决于型号

*4 仅适用于 189.3 cm (75 英寸) 及以上的电视机或 LCD 监视器 (埃及除外)

仅适用于 75 英寸 (189.3 cm) 及以上的电视机或 LCD 监视器 (仅限埃及)

将挂壁式支架安装至墙壁

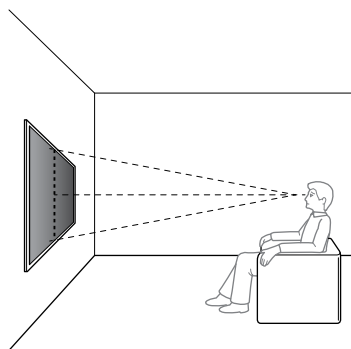
1 确定安装位置。

确保墙壁具有安装电视机或 LCD 监视器的足够空间并且必须能支撑至少电视机或 LCD 监视器四倍的重量。

有关电视机或 LCD 监视器的重量，请参阅电视机或 LCD 监视器参考指南。

注意

- 当电视机或 LCD 监视器安装在墙上时，电视机或 LCD 监视器上端会向前轻微倾斜。
- 建议在观看环境中检查电视机或 LCD 监视器位置。



2 选择如下所示的挂壁式安装样式。

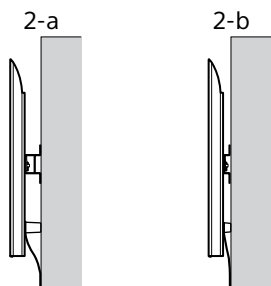
2-a: 标准安装

2-b: 窄安装

- 请参阅第 18 页的“在墙上安装挂壁式支架的尺寸参数”。

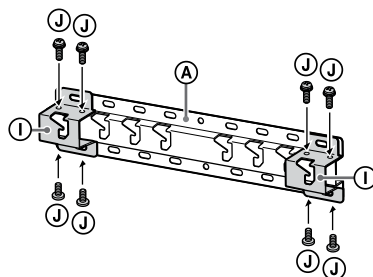
警告

- 选择 2-b 时，背后端子的使用受到限制。



3 如果选择的是标准安装 (2-a) : 使用螺丝 (+PSW 4 × 10) ① 将底座转接器 ① 安装到底座 (20) ① 上。

- 请参阅第 19 页的“底座转接器 ① 的安装位置”。



例如，将底座转接器 ① 安装到“a”位置

如果选择的是窄安装 (2-b) : 略过此步骤。

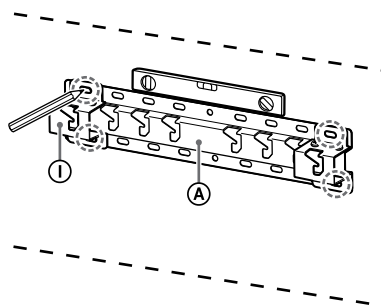
4 决定各螺钉的位置以安装底座 (20) ①。

- 请参阅第 17 页的“规格”。

警告

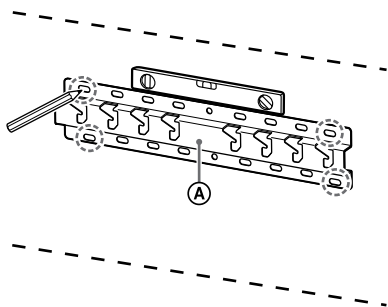
- 测定要安装电视机或 LCD 监视器墙壁的强度。如果需要，请适当加固墙壁。
- 安装电视机或 LCD 监视器的墙壁能承受的重量应该至少是电视机或 LCD 监视器重量的四倍。(请参阅您电视机或 LCD 监视器的参考指南，了解其重量。)

如果选择的是标准安装 (2-a) : 使用底座转接器 ① 的各孔位置。



例如，在“a”位置做标记，用以安装底座 (20) ①

如果选择的是窄安装 (2-b) :

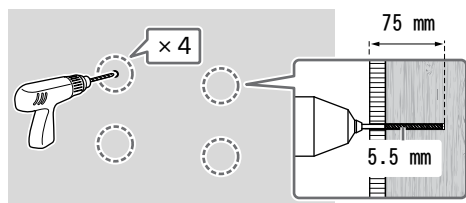


例如，在“a”位置做标记，用以安装底座 (20) A

5 在标记上钻定位孔。

确保墙壁上钻孔的位置足够牢固，能支撑至少电视机或 LCD 监视器四倍的重量。

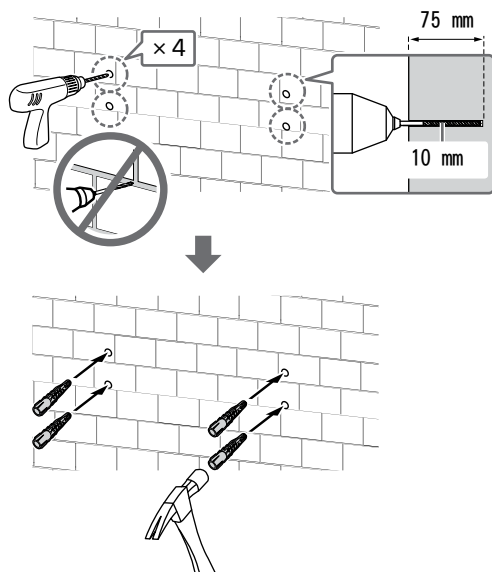
在有立柱的干砌墙上钻孔：



注意

- 必须使用直径 5.5 mm 的钻头钻定位孔，且深度须达 75 mm。

在实心混凝土或混凝土砖上钻孔：



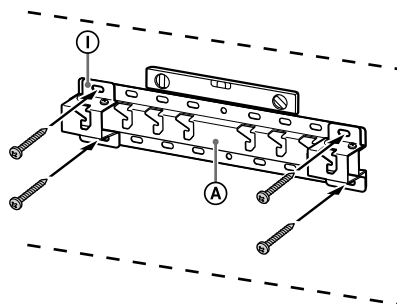
6 使用适当的螺丝 (未提供) 将底座 (20) A 安装在墙壁上。

注意

- 使用四个或更多个 8 mm 直径或相当规格的螺丝 (不提供)。
- 使用水平仪检查底座 (20) A 是否水平。

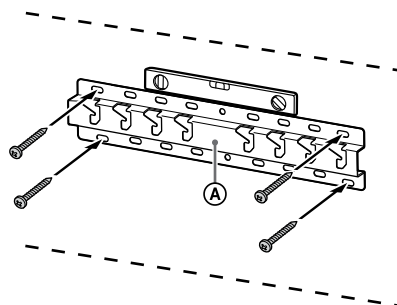
如果选择的是标准安装 (2-a) :

将四个螺钉固定在已经和底座 (20) A 相连的底座转换器 ① 各孔中。



例如，将底座 (20) A 安装到“a”位置

如果选择的是窄安装 (2-b) :



例如，将底座 (20) A 安装到“a”位置

7 仅限 KD-85X8xL / 85X8xBL / 75X8xL / 75X8xBL, KM-85X8xL / 75X8xL, XR-85X9xL / 75X9xL, XRM-85X9xL / 75X9xL

在墙上标出安装位置。

使用遮蔽胶带等物 (未提供) 在底座 (20) A 或底座转换器 ① 附近标出电视机或 LCD 监视器的安装位置。

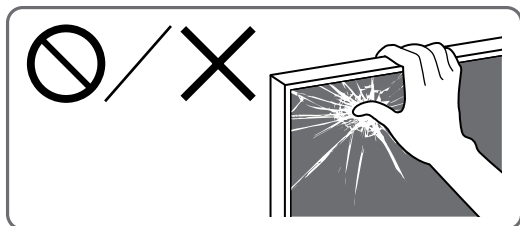
- 请参阅第 20 页的“电视机或 LCD 监视器安装位置的墙壁标记”。

KD-85X8xL / 85X8xBL / 75X8xL / 75X8xBL, KM-85X8xL / 75X8xL, XR-85X9xL / 75X9xL, XRM-85X9xL / 75X9xL 除外
略过此步骤。

准备安装电视机或 LCD 监视器

注意

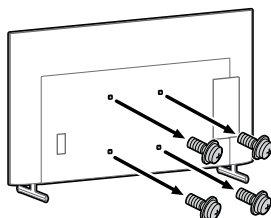
- 务必将取下的螺丝和不用零件放置在安全的地方，让螺丝和零件远离儿童。



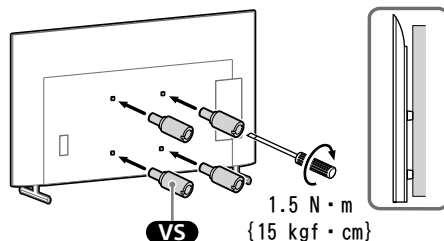
1 安装台式底座，让电视机或 LCD 监视器立起。

- 请参阅您电视机或 LCD 监视器的设定指南。

2 移除电视机或 LCD 监视器背面的螺丝。



3 安装挂壁螺栓 **VS** (随电视机或 LCD 监视器提供) 至电视机或 LCD 监视器后方 (使其跟墙平行)。



注意

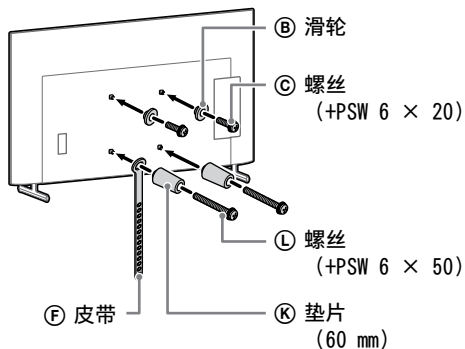
- 在安装螺栓至电视机或 LCD 监视器时，务必拧紧挂壁螺栓 **VS**。
- 安装挂壁螺栓 **VS** 时只能用平头螺丝刀。使用其他工具可能导致挂壁螺栓 **VS** 扭矩过大并损坏电视机或 LCD 监视器。

4 请安装挂壁式支架的附件。请参阅第 6 页“检查零件”中的“SU-WL450 随附附件”来检查附件。

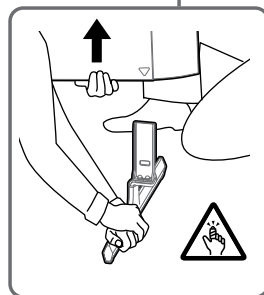
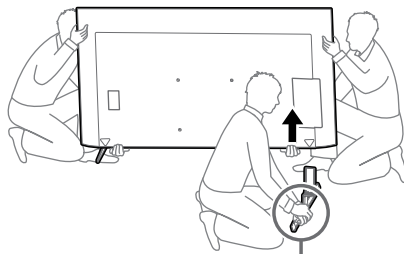
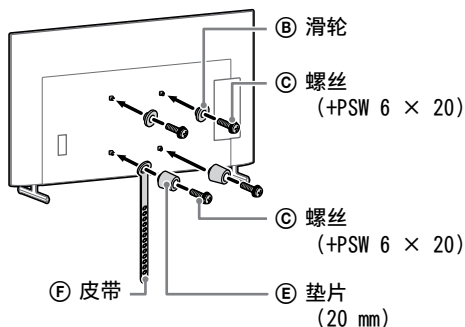
注意

- 使用螺丝将附件固定牢固。
- 当使用电动螺丝起子时，请将扭矩设定为约 1.5 N·m (15 kgf·cm)。

如果选择的是标准安装 (2-a) :



如果选择的是窄安装 (2-b) :



• 重复上一步骤, 拆下台式底座的另一侧。

仅限 KD-75X85L / 65X85L / 65X85BL / 55X85L, KM-75X85L / 65X85L / 55X85L

• 一次拆下台式底座的一侧。请双手握紧台式底座, 同时其他人抬起电视机或 LCD 监视器。

5 将所需电缆连接至电视机或 LCD 监视器。

在墙上安装电视机或 LCD 监视器之前, 确保已连接电缆。安装电视机或 LCD 监视器之后, 将无法连接电缆。

注意

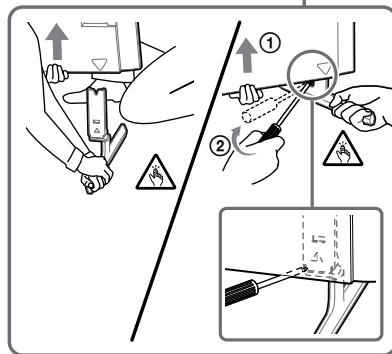
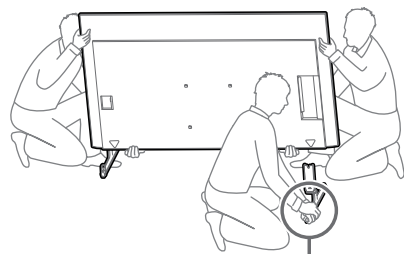
- 请务必将在墙壁内布置电缆的工作委托给经许可的承包商。
- 进行挂墙安装前, 请捆绑连接电缆以防止被踩踏。

6 请从电视机或 LCD 监视器上拆卸台式底座。

以下图例为操作示例。

KD-75X85L / 65X85L / 65X85BL / 55X85L, KM-75X85L / 65X85L / 55X85L, XR-85X90L / 75X90L / 65X90L / 55X90L, XRM-85X90L / 75X90L / 65X90L / 55X90L 除外

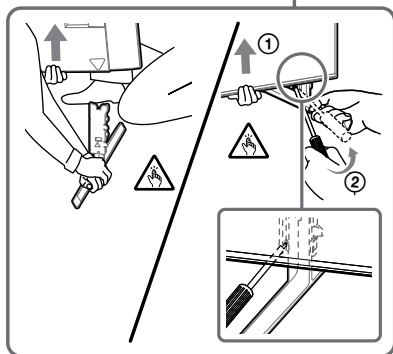
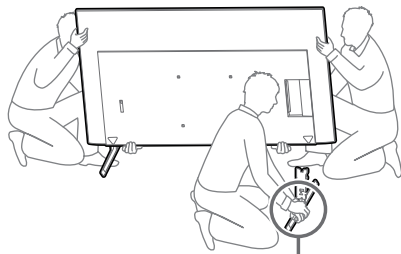
• 一次拆下台式底座的一侧。请双手握紧台式底座, 同时其他人抬起电视机或 LCD 监视器。



• 重复上一步骤, 拆下台式底座的另一侧。

仅限 XR-85X90L / 75X90L / 65X90L / 55X90L, XRM-85X90L / 75X90L / 65X90L / 55X90L

- 一次拆下台式底座的一侧。请双手握紧台式底座，同时其他人抬起电视机或 LCD 监视器。



- 重复上一步骤，拆下台式底座的另一侧。

注意

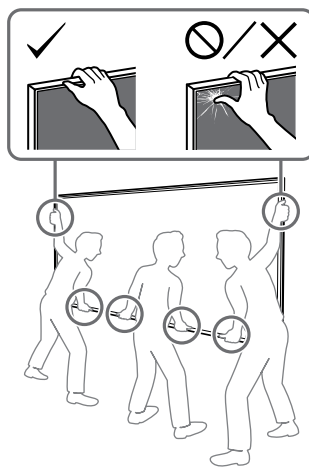
- 拆卸台式底座需要三个或三个人以上。
- 从电视机或 LCD 监视器上拆下台式底座时请小心不要用力过度，因为可能导致电视机或 LCD 监视器掉落，造成人身伤害或电视机或 LCD 监视器损坏。
- 操作台式底座时务必小心，以免损坏电视机或 LCD 监视器。
- 拆卸台式底座的过程中，抬起电视机或 LCD 监视器时请务必小心，因为台式底座可能导致翻倒而造成人身伤害。
- 从电视机或 LCD 监视器上拆卸台式底座时，请务必小心，以免其发生翻倒并损坏安装电视机或 LCD 监视器的台面。

在墙壁上安装电视机或 LCD 监视器

仅限 KD-85X8xL / 85X8xBL / 75X8xL / 75X8xBL, KM-85X8xL / 75X8xL, XR-85X9xL / 75X9xL, XRM-85X9xL / 75X9xL

警告

- 搬运大型电视机或 LCD 监视器需要两个或两个以上（189.3 cm (75 英寸) 及以上的电视机型号或 LCD 监视器需要三个或三个以上）的人员（埃及除外）。搬运大型电视机或 LCD 监视器需要两个或两个以上（75 英寸 (189.3 cm) 及以上的电视机型号或 LCD 监视器需要三个或三个以上）的人员（仅限埃及）。



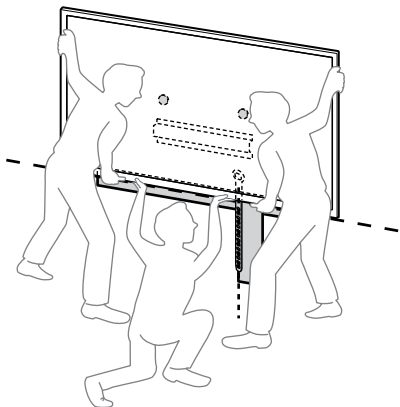
1 抬起电视机或 LCD 监视器。

- 至于滑轮 (B) 在底座 (20) (A) 或底座转接器 (1) 上应悬挂的位置，请参阅第 19 页的“底座转接器 (1) 的安装位置”。
- 握紧本电视机或 LCD 监视器时，请确保电视机或 LCD 监视器的背面紧贴底座 (20) (A) 或底座转接器 (1)。

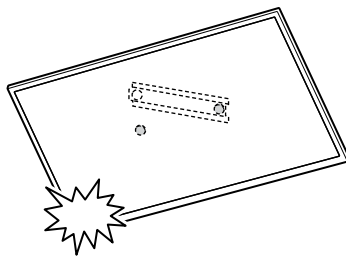
注意

- 请双手握紧电视机或 LCD 监视器，确保皮带 (E) 和电视机或 LCD 监视器底部与遮蔽胶布对齐。

- 需要三个人共同搬运电视机或 LCD 监视器，一个人站在电视机或 LCD 监视器前方指导另外两人调整位置。

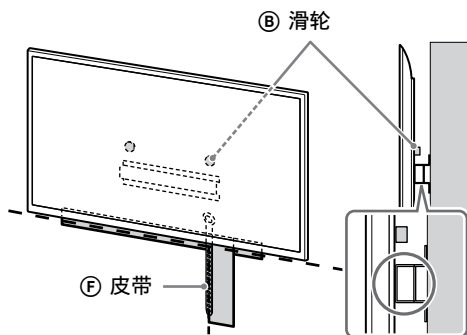


- 慢慢松开双手，确保电视机或 LCD 监视器不会跌落。



- 将电视机或 LCD 监视器安装至墙上时，请务必小心，尤其应注意从下方托住电视机或 LCD 监视器的人员。本电视机或 LCD 监视器可能跌落、造成严重人身伤害，甚至死亡。

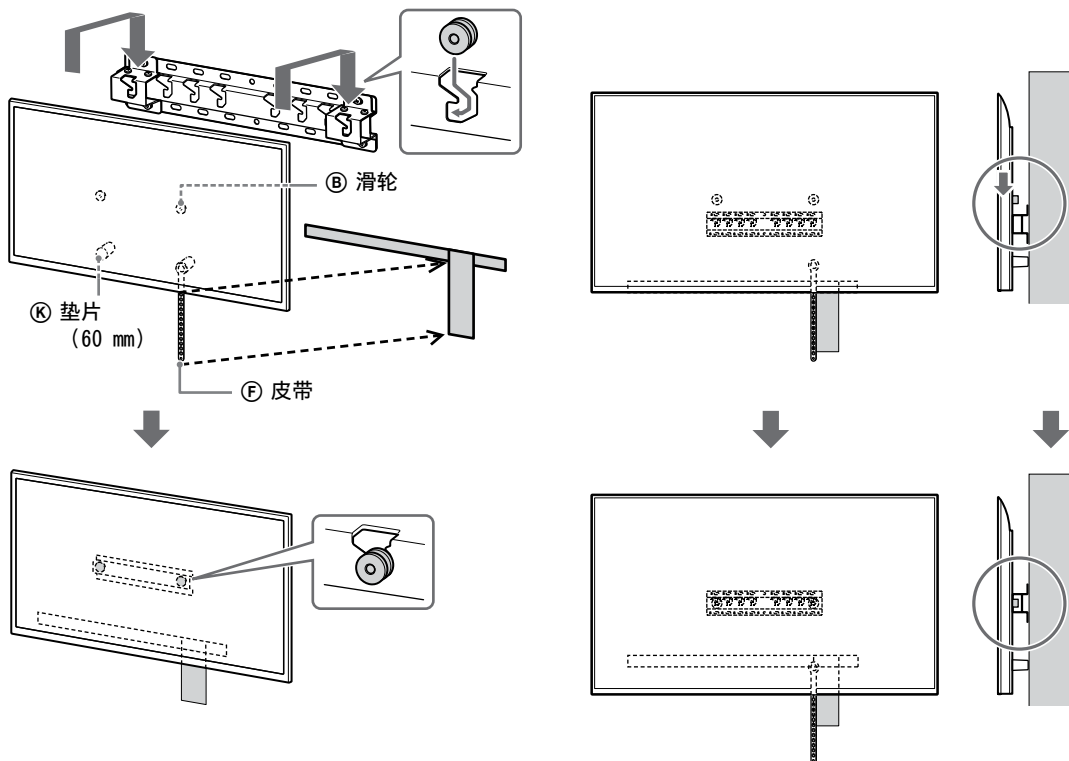
- 将电视机或 LCD 监视器安装至墙上之后，移除墙上的遮蔽胶带等物。



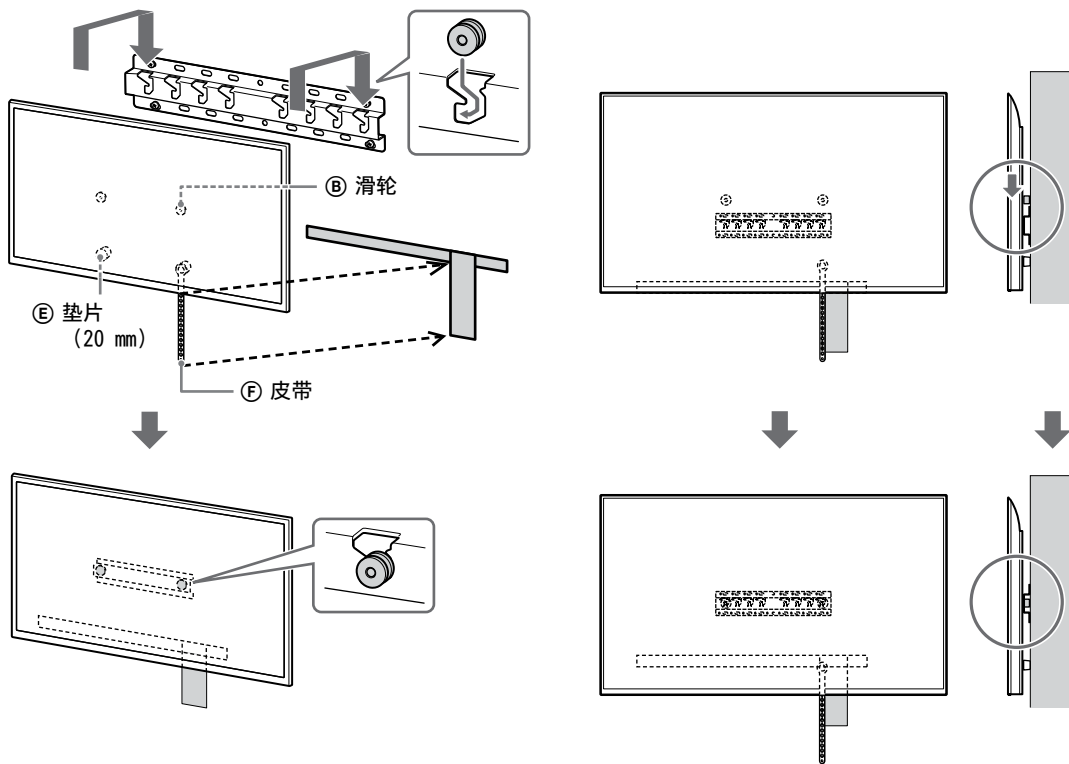
2 将电视机或 LCD 监视器安装至底座 (20) ① 或底座转接器 ① 上。

- 轻轻向下滑动电视机或 LCD 监视器，将安装在电视机或 LCD 监视器背面的滑轮 ② 悬挂在底座 (20) ① 或底座转接器 ① 上，务必确认孔的形状。
- 在将电视机或 LCD 监视器安装至墙壁上后，请确认滑轮 ② 与底座 (20) ① 或底座转接器 ① 连接牢固。

如果选择的是标准安装 (2-a) :

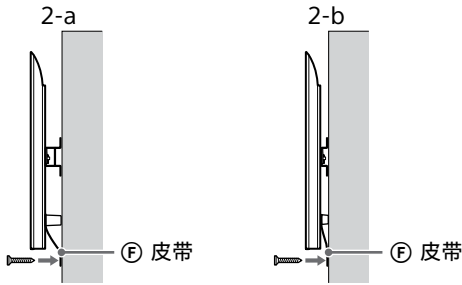


如果选择的是窄安装 (2-b) :



3 避免电视机或 LCD 监视器的底部移动。

- 收紧皮带 (F) 松弛的绳索，然后紧固安装在墙壁上。



- 请使用 5 mm 直径或相当规格的螺丝（不提供）。

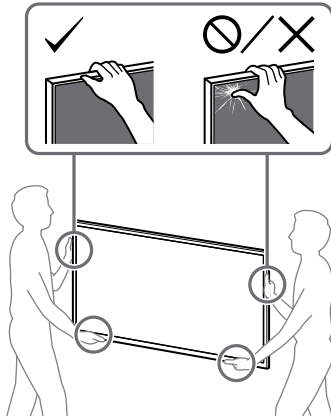
注意

- 尝试将电视机或 LCD 监视器的底部稍稍向自己前倾，确保电视机或 LCD 监视器不会向前移动。如果有松动，则未正确固定，应再次紧固皮带 (F)。

KD-85X8xL / 85X8xBL / 75X8xL / 75X8xBL, KM-85X8xL / 75X8xL, XR-85X9xL / 75X9xL, XRM-85X9xL / 75X9xL 除外

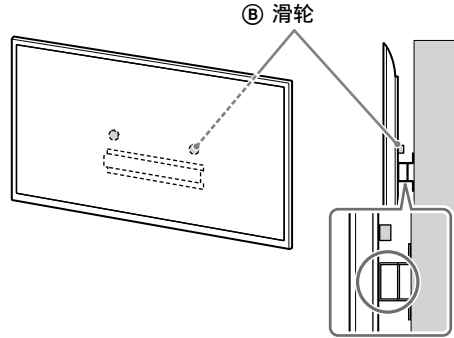
警告

- 搬运大型电视机或 LCD 监视器需要两个或两个以上（189.3 cm (75 英寸) 及以上的电视机型号或 LCD 监视器需要三个或三个以上）的人员（埃及除外）。
搬运大型电视机或 LCD 监视器需要两个或两个以上（75 英寸 (189.3 cm) 及以上的电视机型号或 LCD 监视器需要三个或三个以上）的人员（仅限埃及）。



1 抬起电视机或 LCD 监视器。

- 至于滑轮 (B) 在底座 (20) (A) 或底座转接器 (I) 上应悬挂的位置，请参阅第 19 页的“底座转接器 (I) 的安装位置”。
- 握紧本电视机或 LCD 监视器时，请确保电视机或 LCD 监视器的背面紧贴底座 (20) (A) 或底座转接器 (I)。

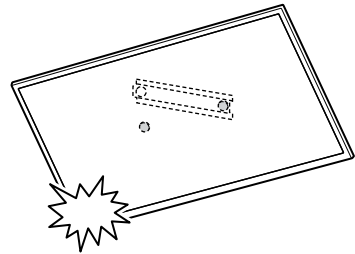


注意

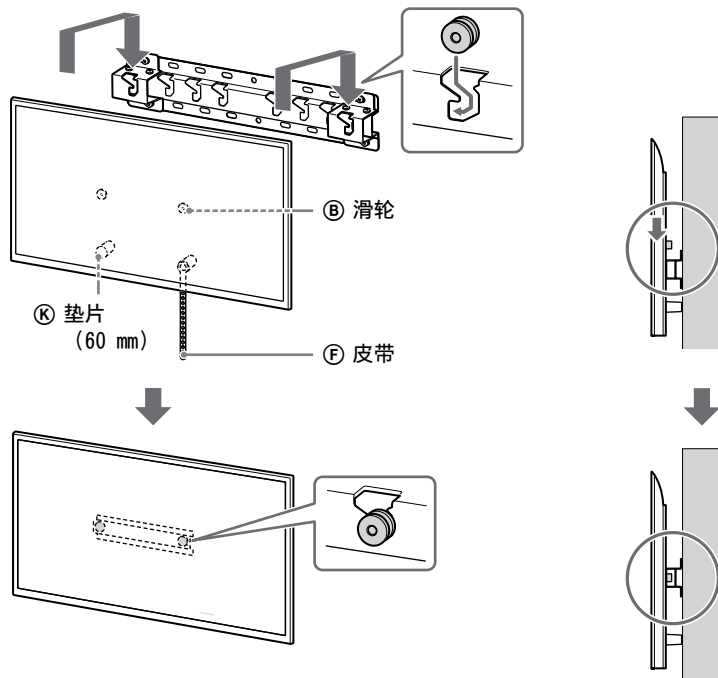
- 请双手握紧电视机或 LCD 监视器。

2 将电视机或 LCD 监视器安装至底座 (20) (A) 或底座转接器 (I) 上。

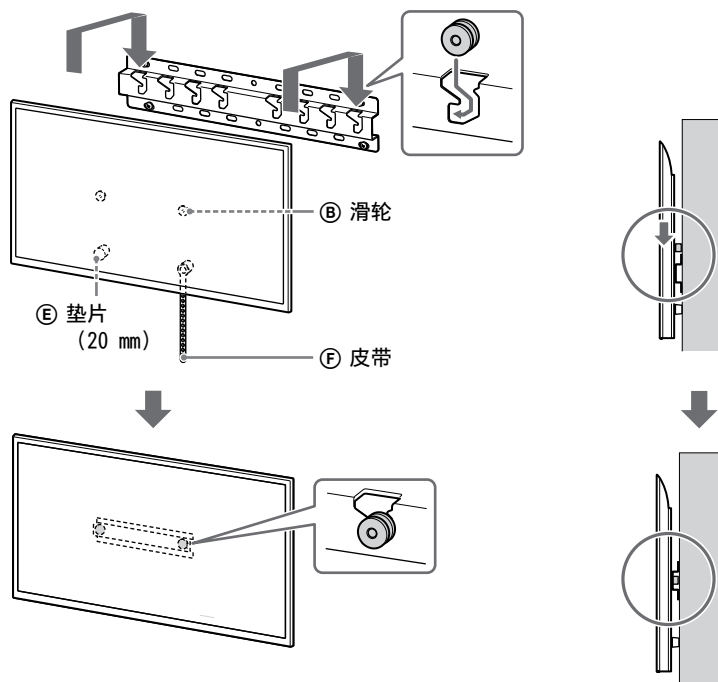
- 轻轻向下滑动电视机或 LCD 监视器，将安装在电视机或 LCD 监视器背面的滑轮 (B) 悬挂在底座 (20) (A) 或底座转接器 (I) 上，务必确认孔的形状。
- 在将电视机或 LCD 监视器安装至墙壁上后，请确认滑轮 (B) 与底座 (20) (A) 或底座转接器 (I) 连接牢固。
- 慢慢松开双手，确保电视机或 LCD 监视器不会跌落。



如果选择的是标准安装 (2-a) :

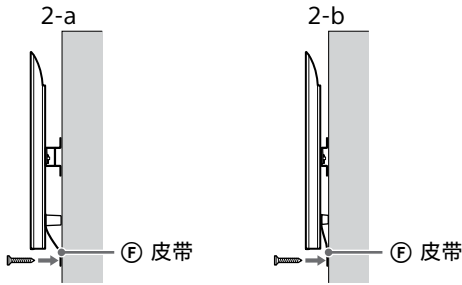


如果选择的是窄安装 (2-b) :



3 避免电视机或 LCD 监视器的底部移动。

- 收紧皮带 ⑤ 松弛的绳索，然后紧固安装在墙壁上。



- 请使用 5 mm 直径或相当规格的螺丝（不提供）。

注意

- 尝试将电视机或 LCD 监视器的底部稍稍向自己前倾，确保电视机或 LCD 监视器不会向前移动。如果有松动，则未正确固定，应再次紧固皮带 ⑤。

确认安装完成

请检查下列事项。

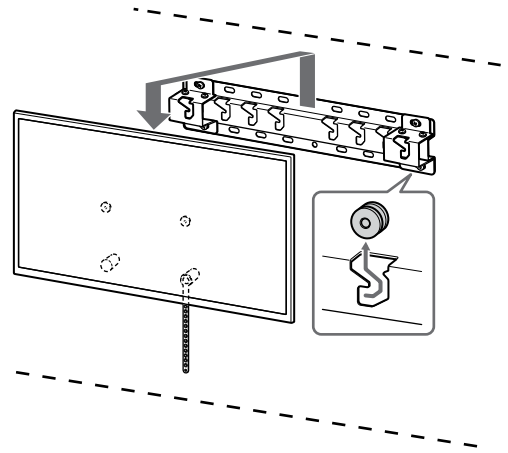
- 将滑轮 ⑥ 牢牢地挂在底座 (20) ④ 或底座转接器 ① 上。
- 导线和电缆未被扭曲或夹住。
- 已紧固皮带 ⑤。

警告

- 电源线等布置不当可能会因短路而引起火灾或触电。请务必确认安装工作已完成，以保证安全。

其他信息

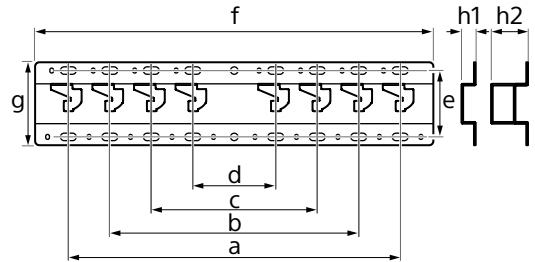
取下电视机或 LCD 监视器时，请按照之前安装步骤的相反顺序操作。



警告

- 搬运大型电视机或 LCD 监视器需要两个或两个以上（189.3 cm（75 英寸）及以上的电视机型号或 LCD 监视器需要三个或三个以上）的人员（埃及除外）。搬运大型电视机或 LCD 监视器需要两个或两个以上（75 英寸（189.3 cm）及以上的电视机型号或 LCD 监视器需要三个或三个以上）的人员（仅限埃及）。

规格



尺寸：（约）[mm]

a : 400
b : 300
c : 200
d : 100
e : 80
f : 480
g : 100

h1 : 20（对应窄安装，2-b）
h2 : 60（对应标准安装，2-a）

重量（仅底座）：（约）[kg]

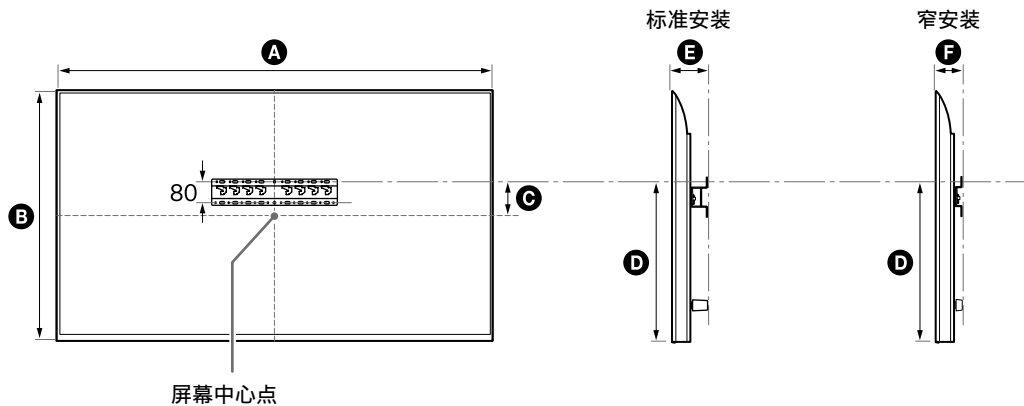
0.8

设计和规格若有变更，恕不另行通知。

参考

在墙上安装挂壁式支架的尺寸参数

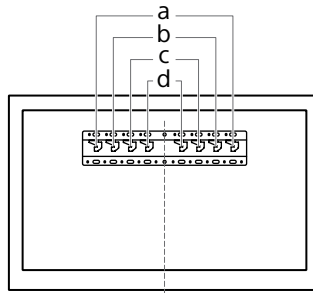
表中数字可能因安装方式而略有不同。



(mm)

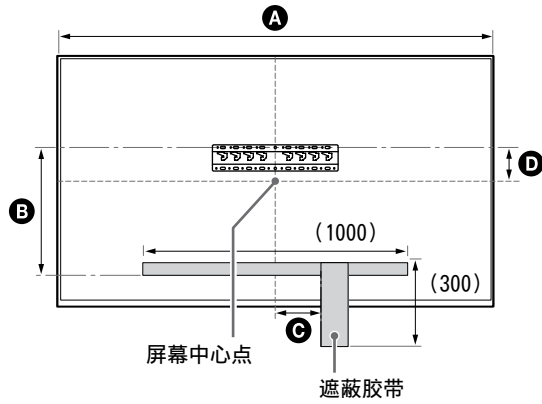
机型名称	A	B	C	D	E	F
KD-85X81BL / 85X80L KM-85X80L	1901	1090	43	592	138	96
XR-85X90L XRM-85X90L	1891	1085	58	607	125	83
KD-75X85L KM-75X85L	1671	960	21	508	123	81
KD-75X81BL / 75X80L KM-75X80L	1675	962	12	493	137	95
XR-75X90L XRM-75X90L	1668	959	21	508	123	81
KD-65X85L / 65X85BL KM-65X85L	1447	832	85	505	123	81
KD-65X81BL / 65X80L KM-65X80L	1452	836	76	494	135	93
XR-65X90L XRM-65X90L	1445	831	85	505	123	81
KD-55X85L KM-55X85L	1228	709	146	505	122	81
KD-55X81BL / 55X80L KM-55X80L	1233	713	133	494	135	93
XR-55X90L XRM-55X90L	1225	707	146	505	122	81
KD-50X80L KM-50X80L	1119	649	63	392	133	91
KD-43X80L KM-43X80L	964	563	111	392	133	91

底座转换器 ① 的安装位置



机型名称	支架位置	机型名称	支架位置
KD-85X81BL / 85X80L KM-85X80L XR-85X90L XRM-85X90L	a	KD-55X85L / 55X81BL / 55X80L KM-55X85L / 55X80L XR-55X90L XRM-55X90L	b
KD-75X85L / 75X81BL / 75X80L KM-75X85L / 75X80L XR-75X90L XRM-75X90L	b	KD-50X80L KM-50X80L	c
KD-65X85L / 65X85BL / 65X81BL / 65X80L KM-65X85L / 65X80L XR-65X90L XRM-65X90L	b	KD-43X80L KM-43X80L	c

电视机或 LCD 监视器安装位置的墙壁标记



(mm)

机型名称	A	B	C	D
KD-85X81BL / 85X80L KM-85X80L	1901	472	200	43
XR-85X90L XRM-85X90L	1891	486	200	58
KD-75X85L KM-75X85L	1671	388	150	21
KD-75X81BL / 75X80L KM-75X80L	1675	373	150	12
XR-75X90L XRM-75X90L	1668	388	150	21

使用 Sony 壁掛式支架之安裝訊息 (SU-WL450)

支持型號*

* 在實際的型號名稱中，“x” / “xx” 指的是每種型號特有的數字和/或字元。

KD-85X8xL / 85X8xBL / 75X8xL / 75X8xBL / 65X8xL / 65X8xBL / 55X8xL / 55X8xBL / 50X8xL / 43X8xL

KM-85X8xL / 75X8xL / 65X8xL / 55X8xL / 50X8xL / 43X8xL

XR-85X9xL / 75X9xL / 65X9xL / 55X9xL

XRM-85X9xL / 75X9xL / 65X9xL / 55X9xL

致用戶

為保護產品和安全理由，Sony 強烈建議安裝您的電視機或 LCD 顯示器的任務由 Sony 經銷商或授權承包商進行。請勿試圖自行安裝。

致 Sony 經銷商和承包商

請在安裝、定期維修和檢查本產品時特別注意安全。

安裝本產品，尤其是在確定牆壁強度是否能夠支撐電視機或 LCD 顯示器重量方面，需要足夠的專業知識。將本產品安裝於牆上的工作務必要委託 Sony 經銷商或經過授權的承包商進行，而且安裝時要特別注意安全。Sony 對於任何因為錯誤操作或不當安裝所造成的損壞或傷害恕不負責。

為確保安全正確安裝，請遵循壁掛式支架之使用說明書、電視機或 LCD 顯示器安裝指南及本手冊內說明。

壁掛式支架

安全事項

感謝您購買本產品。

致用戶

將電視機或 LCD 顯示器安裝至牆上



警告

需要專業安裝

本產品應僅由專業安裝人員安裝，該安裝人員必須經過培訓，能確定承受電視機或 LCD 顯示器重量的牆壁強度。安裝期間若未正確固定，電視機或 LCD 顯示器可能會掉落並造成嚴重受傷。對於因處理或安裝不當，或安裝任何非指定產品而造成的任何損害或受傷，Sony 概不負責。您的法定權利（若有）不受影響。

致 Sony 經銷商

安裝本產品需要足夠的專業技術。請務必詳讀本使用說明書，以確保安裝本產品時之安全。Sony 對因錯誤操作或不當安裝所造成的任何損壞或傷害，概不承擔責任。請在安裝後將本手冊交給用戶。

本使用說明書介紹了正確使用本產品與防止事故發生需知的重要事項。您有責任閱讀、徹底瞭解並遵照本使用說明書中的指示。否則可能會導致嚴重的人身傷害或財產損失，並可能會使保固無效。請妥善保管本手冊，以備將來參考。

Sony 的產品設計非常注重安全。但是，如果使用不正確，則可能因火災、電擊、產品傾倒或墜落而導致嚴重傷害。請務必遵守安全事項，以防止此類事故發生。

小心

特定產品

本壁掛式支架設計用於指定產品的電視機或 LCD 顯示器。有關電視機或 LCD 顯示器，請參閱其參考指南以確認是否可使用本壁掛式支架。

致用戶

警告

如果不遵守下列事項，則可能因火災、電擊或產品墜落而導致嚴重傷害或死亡。

請務必將安裝工作委託經授權的承包商，並且避免安裝過程中讓孩童接近。

如果壁掛式支架或電視機或 LCD 顯示器安裝不正確，則可能發生下列事故。因此請確保安裝工作由經授權的承包商進行。

- 電視機或 LCD 顯示器可能會掉落，而造成嚴重的傷害，如挫傷或骨折等。
- 如果安裝壁掛式支架的牆壁不穩固、凹凸不平、或未與地面垂直，裝置可能會掉落，因而造成傷害或財產損失。牆壁應能承受至少四倍於電視機或 LCD 顯示器的重量。（有關您電視機或 LCD 顯示器的重量，請參考電視機或 LCD 顯示器的參考指南。）
- 如果牆壁上安裝的壁掛式支架不夠牢固，則裝置可能會掉落，並造成傷害或財產損失。

請務必將搬動或拆卸電視機或 LCD 顯示器的工作委託由經授權的承包商進行。

如果由未經授權的承包商搬動或拆卸電視機或 LCD 顯示器，裝置可能會掉落，造成傷害或財產損失。搬運大型電視機或 LCD 顯示器需要至少兩個人（搬運 189.3 公分（75 英寸）及更大的電視機或 LCD 顯示器需要至少三個人）（埃及除外）。

搬運大型電視機或 LCD 顯示器需要至少兩個人（搬運 75 英寸（189.3 公分）及更大的電視機或 LCD 顯示器需要至少三個人）（僅限埃及）。

安裝電視機或 LCD 顯示器之後請勿拆除任何螺絲等零件。

否則，電視機或 LCD 顯示器可能會掉落，造成傷害或財產損失。

請勿改裝壁掛式支架的零件。

否則，壁掛式支架可能會掉落，造成傷害或財產損失。

請勿將指定產品之外的其他設備安裝到支架上。

本壁掛式支架僅為安裝特定產品而設計。如果您安裝非特定設備，則設備可能會掉落或破裂，造成傷害或財產損失。

除了電視機或 LCD 顯示器之外，請勿在壁掛式支架上加掛其他重物。

請勿左右或上下搖晃電視機或 LCD 顯示器。

否則，電視機或 LCD 顯示器可能會掉落，造成傷害或財產損失。

請勿倚靠或攀爬電視機或 LCD 顯示器。

請勿倚靠或攀爬電視機或 LCD 顯示器，因為裝置可能會掉落在您身上，造成嚴重傷害。

小心

如果不遵守下列事項，則可能造成傷害或財產損失。

- 務必將未使用的零件存放在安全的地方，以備將來使用。
請將零件遠離兒童。

清潔或維修過程中，請勿對產品施加過大的力量。

請勿在電視機或 LCD 顯示器頂部施加過大的力量。否則，電視機或 LCD 顯示器可能會掉落，造成傷害或財產損失。

注意事項

- 長期使用安裝於壁掛式支架的電視機或 LCD 顯示器時，視牆面的材料而定，可能會造成電視機或 LCD 顯示器後方或上方的牆面褪色，或是壁紙脫落。
- 在牆壁上安裝壁掛式支架後再將其拆下，牆壁上會留下螺絲孔。
- 請勿在容易受到機械振動的地方使用壁掛式支架。

安裝壁掛式支架

致 Sony 經銷商

警告

下列說明僅適用於 Sony 經銷商。請務必閱讀上述安全注意事項，並在安裝、維修和檢查本產品時特別注意安全。

請勿將壁掛式支架安裝在會使電視機或 LCD 顯示器邊角或側面突出於牆面的牆壁位置。

請勿將壁掛式支架安裝在柱子等會使電視機或 LCD 顯示器邊角或側面突出於牆面的牆壁位置。如果人或物品正巧撞到電視機或 LCD 顯示器的邊角或側面，則會造成傷害或財產損失。

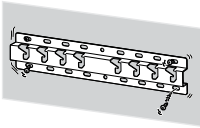


請勿將電視機或 LCD 顯示器安裝在冷氣機的上方或下方。

如果電視機或 LCD 顯示器長期暴露於冷氣機的漏水或氣流中，可能造成火災、電擊或電視機或 LCD 顯示器故障。

請務必依照本使用說明書中的指示，牢固地將壁掛式支架安裝於牆上。

如果有螺絲鬆動或掉落，壁掛式支架可能會掉落，造成傷害或財產損失。針對不同牆壁材料，請務必使用正確的螺絲，並使用四個或更多個直徑 8 毫米（或相等規格）的螺絲牢固地安裝本裝置。



請務必按照本使用說明書中的指示，正確使用所提供的螺絲和附件。如果使用其他替代零件，電視機或 LCD 顯示器可能會掉落，造成人員的受傷或損壞電視機或 LCD 顯示器。

請務必按照本使用說明書中介紹的步驟，正確安裝支架。

如果有螺絲鬆動或掉落，電視機或 LCD 顯示器可能會掉落，並造成人員的受傷或損壞電視機或 LCD 顯示器。

請務必在指定的位置上，將螺絲安全地鎖緊。

否則，電視機或 LCD 顯示器可能會掉落，造成人員的受傷或損壞電視機或 LCD 顯示器。

安裝的過程中，請務必小心不要讓電視機或 LCD 顯示器遭到衝撞。

如果電視機或 LCD 顯示器遭到衝撞，可能會掉落或破裂。並可能造成傷害。

請務必將電視機或 LCD 顯示器安裝在垂直且平坦的牆面上。

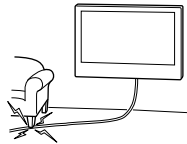
否則，電視機或 LCD 顯示器可能會掉落，並造成傷害。

正確安裝電視機或 LCD 顯示器後，請確實固定電纜。

如果有人或物品勾到電纜，可能會造成傷害或損壞電視機或 LCD 顯示器。

請勿使交流電源線或連接電纜受到擠壓。

如果交流電源線或連接電纜被壓在裝置和牆壁之間，或被用力彎曲或扭曲，其內部導線可能會因裸露而短路或斷電。如此可能會引起火災或電擊。



不提供用於將壁掛式支架固定於牆壁的螺絲。

在安裝壁掛式支架時，請使用適合牆壁材料和結構的螺絲。

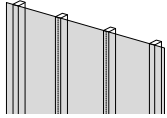
安裝前

- 本手冊中所示的電視或 LCD 顯示器的圖例，是為了清晰地對操作進行說明的示例。因此，圖例可能看起來與實際的電視或 LCD 顯示器不同。

牆面的材質為何？

首先檢查要安裝電視機或 LCD 顯示器的牆面類型。

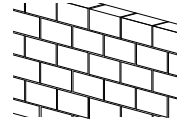
有立柱的乾砌牆



注意事項

- 乾砌牆的最大厚度：16 毫米。
- 確保內部木立柱尺寸至少為 51 毫米 × 102 毫米或一般通用尺寸至少為 38 毫米 × 89 毫米。

實心混凝土或混凝土磚



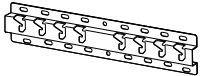








注意事項

- 直接安裝壁掛式支架在實心混凝土牆上。
- 確保實心混凝土牆的厚度至少為 203 毫米。
- 確保每塊混凝土磚的尺寸至少為 203 毫米 × 203 毫米 × 406 毫米。




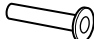

檢查零件

SU-WL450 隨附組件


- 確認零件是否完整。

<p>Ⓐ 底座 (20) (×1)</p> 	<p>Ⓑ 滑輪 (×2)</p> 	<p>Ⓒ 螺絲 (+PSW 6 × 20) (×4)</p> 	<p>Ⓔ 墊片 (20 毫米) (×2)</p> 
<p>Ⓕ 皮帶 (×1)</p> 	<p>Ⓘ 底座轉接器 (×2)</p> 	<p>Ⓙ 螺絲 (+PSW 4 × 10) (×8)</p> 	<p>Ⓚ 墊片 (60 毫米) (×2)</p> 
<p>Ⓛ 螺絲 (+PSW 6 × 50) (×2)</p> 			

- 這些零件可能不用於您的型號。

<p>Ⓖ 帶襯套的螺絲 (+PSW 4 × 20) (×2)</p> 	<p>Ⓒ 襯套 (20) (M4) (×2)</p> 	<p>Ⓗ 螺絲 (+PSW 4 × 20) (×2)</p> 	<p>Ⓜ 襯套 (M4) (×2)</p> 
<p>Ⓝ 螺絲 (+PSW 4 × 50) (×2)</p> 			



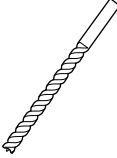
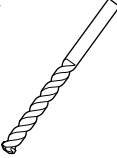
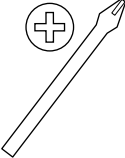
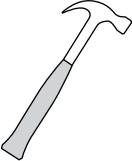
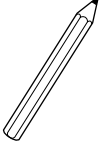
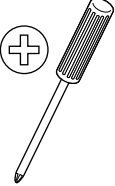
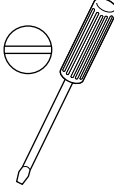




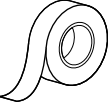
隨電視機或 LCD 顯示器提供

<p>壁掛連接件 VS (×4) *</p> 

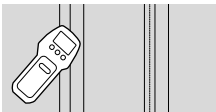
- * 僅限特定區域/國家/型號。

準備安裝

- 安裝前，請將電視機或 LCD 顯示器的參考指南和安裝指南放在手邊。
- 確認電視機或 LCD 顯示器的安裝位置。
- 準備四個或更多個直徑 8 毫米和一個直徑 5 毫米或相等規格的螺絲（不提供）。請選擇適合牆壁材質的螺絲。
- 準備以下工具：

*1			 5.5 毫米	 10 毫米	
*2			 1.5 N·m {15 kgf·cm}	 1.5 N·m {15 kgf·cm}	*3
	*2	 (×4)	 (×4) 8 毫米 × 60 毫米	 5 毫米	
*4					

*1 僅用於有立柱的乾砌牆



*2 僅用於實心混凝土或混凝土磚

*3 視型號而定

*4 僅用於 189.3 公分（75 英寸）及以上的電視或 LCD 顯示器（埃及除外）
僅用於 75 英寸（189.3 公分）及以上的電視或 LCD 顯示器（僅限埃及）

將壁掛式支架安裝至牆壁

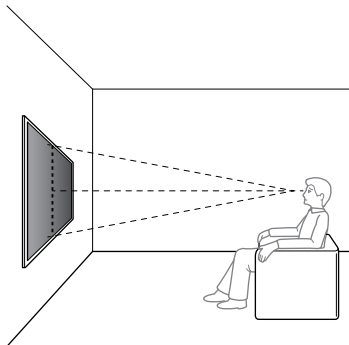
1 確定安裝位置。

確保牆壁有足夠的空間予電視機或 LCD 顯示器以及能支撐至少電視機或 LCD 顯示器四倍的重量。

有關電視機或 LCD 顯示器的重量，請參閱電視機或 LCD 顯示器的參考指南。

註

- 當您的電視機或 LCD 顯示器安裝在牆上時，電視機或 LCD 顯示器的上部稍微向前傾。
- 建議您在觀看環境中檢查電視機或 LCD 顯示器位置。



2 選擇如下所示的壁掛式安裝樣式。

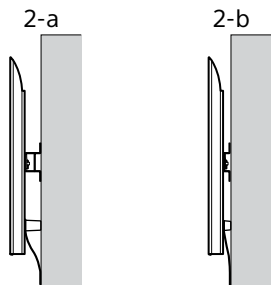
2-a: 標準安裝

2-b: 簡易安裝

- 請參閱第 18 頁的“在牆上安裝壁掛式支架的尺寸參數”。

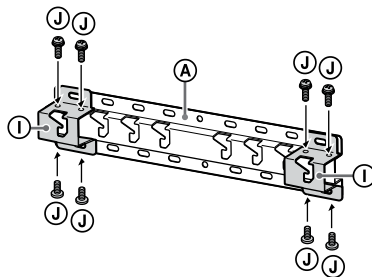
警告

- 選擇 2-b 時，背後端子的使用受到限制。



3 如果選擇的是標準安裝 (2-a) : 使用螺絲 (+PSW 4 × 10) ① 將底座轉接器 ① 安裝到底座 (20) ④ 上。

- 請參閱第 19 頁的“底座轉接器 ① 的安裝位置”。



例如，將底座轉接器 ① 安裝到“a”位置

如果選擇的是簡易安裝 (2-b) : 跳過此步驟。

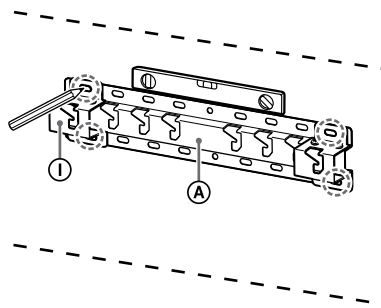
4 確定安裝底座 (20) ④ 的螺絲位置。

- 請參閱第 17 頁的“規格”。

警告

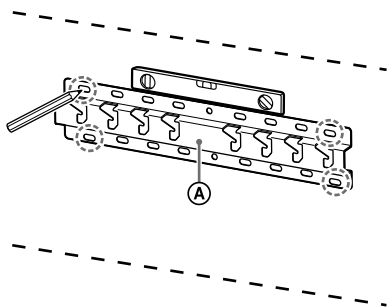
- 請確定要安裝電視機或 LCD 顯示器的牆壁強度。如有必要，請適當加固牆壁。
- 安裝電視機或 LCD 顯示器的牆壁應能承受至少四倍於電視機或 LCD 顯示器的重量。(有關您電視機或 LCD 顯示器的重量，請參考電視機或 LCD 顯示器的參考指南。)

如果選擇的是標準安裝 (2-a) : 使用底座轉接器 ① 的各孔位置。



例如，在“a”位置做標記，用以安裝底座 (20) ④

如果選擇的是簡易安裝 (2-b) :

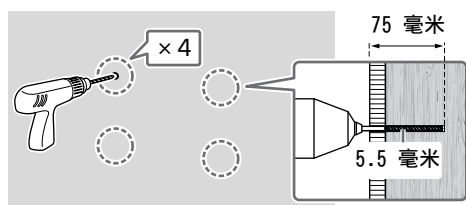


例如，在“a”位置做標記，用以安裝底座 (20) A

5 在標記上鑽定位孔。

確保牆壁上鑽孔的位置足夠牢固，能支撐至少電視機或 LCD 顯示器四倍的重量。

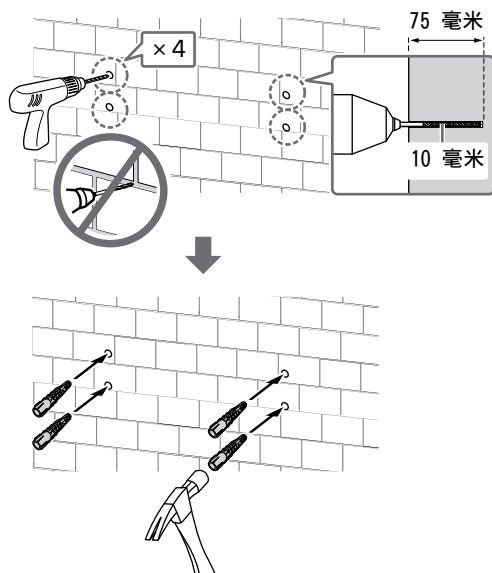
在有立柱的乾砌牆上鑽孔：



註

- 必須使用直徑 5.5 毫米的鑽頭鑽定位孔，且深度須達 75 毫米。

在實心混凝土或混凝土磚上鑽孔：



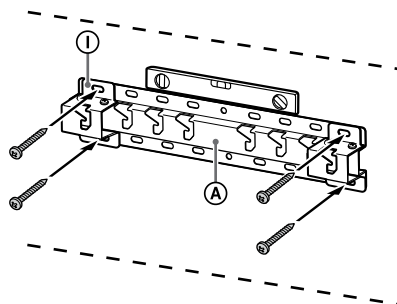
6 使用尺寸適合的螺絲（不提供）將底座 (20) A 安裝至牆上。

註

- 使用四個或更多個直徑 8 毫米或相等規格的螺絲（不提供）。
- 用水平儀檢查底座 (20) A 是否水平。

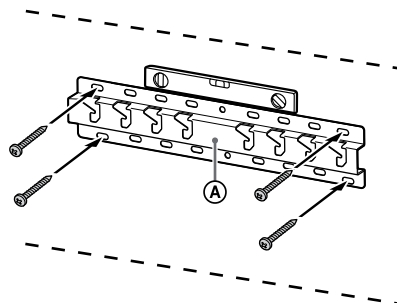
如果選擇的是標準安裝 (2-a) :

將四顆螺絲固定在已經和底座 (20) A 相連的底座轉接器 ① 各孔中。



例如，將底座 (20) A 安裝到“a”位置

如果選擇的是簡易安裝 (2-b) :



例如，將底座 (20) A 安裝到“a”位置

7 僅限 KD-85X8xL / 85X8xBL / 75X8xL / 75X8xBL, KM-85X8xL / 75X8xL, XR-85X9xL / 75X9xL, XRM-85X9xL / 75X9xL

在牆上標記安裝位置。

使用封口膠帶等（不提供）在底座 (20) A 或底座轉接器 ① 附近標記電視機或 LCD 顯示器位置。

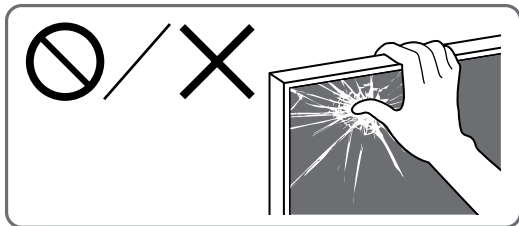
- 請參閱第 20 頁的“電視或 LCD 顯示器安裝位置的牆壁標記”。

KD-85X8xL / 85X8xBL / 75X8xL / 75X8xBL, KM-85X8xL / 75X8xL, XR-85X9xL / 75X9xL, XRM-85X9xL / 75X9xL 除外
跳過此步驟。

準備安裝電視機或 LCD 顯示器

註

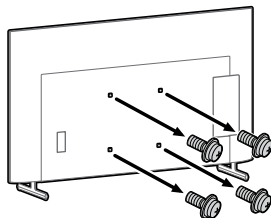
- 請務必將取下的螺絲和不用的零件放置在安全的地方，讓螺絲和零件遠離兒童。



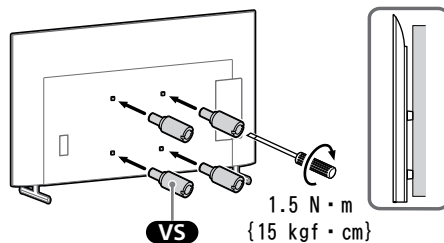
1 安裝桌面底座，讓電視或 LCD 顯示器立起。

- 有關您的電視機或 LCD 顯示器，請參考電視機或 LCD 顯示器的安裝指南。

2 從電視機或 LCD 顯示器背面卸下螺絲。



3 將壁掛連接件 **VS**（電視或 LCD 顯示器隨附）連接到電視或 LCD 顯示器後部（使其與牆壁平行）。



註

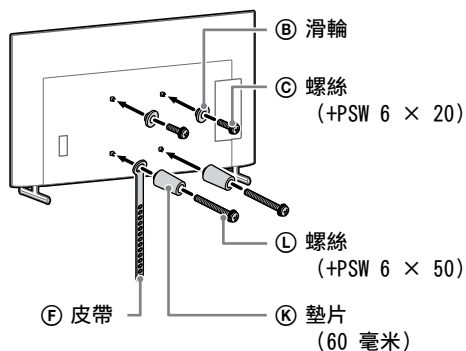
- 將其連接到電視或 LCD 顯示器時，確保緊固壁掛連接件 **VS**。
- 僅使用平頭螺絲批安裝壁掛連接件 **VS**。使用其他工具會造成壁掛連接件 **VS** 扭矩過大和損壞電視或 LCD 顯示器。

4 安裝壁掛式支架的附件組件。請參閱第 6 頁“檢查零件”中的“SU-WL450 隨附組件”，檢查附件組件。

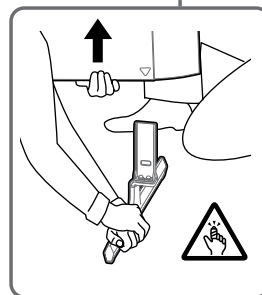
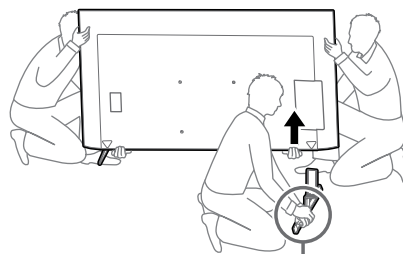
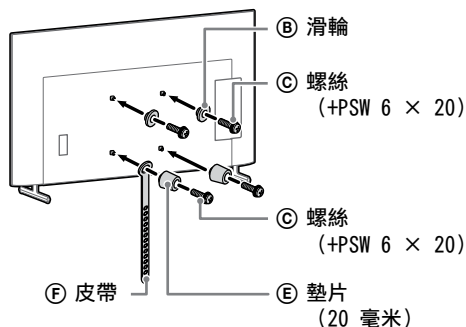
註

- 使用螺絲牢固緊固附件組件。
- 使用電動螺絲批時，請將扭力設定設為約 1.5 N·m (15 kgf·cm)。

如果選擇的是標準安裝 (2-a) :



如果選擇的是簡易安裝 (2-b) :



- 重複上一步並拆下桌面底座的另一側。

僅限 KD-75X85L / 65X85L / 65X85BL / 55X85L, KM-75X85L / 65X85L / 55X85L

- 一次拆下桌面底座的一側。當其他人抬起電視機或 LCD 顯示器時，用雙手牢牢抓住桌面底座。

5 將所需電纜連接到電視機或 LCD 顯示器。

務必在將電視機或 LCD 顯示器安裝至牆上前連接電纜。安裝電視機或 LCD 顯示器後，無法連接電纜。

註

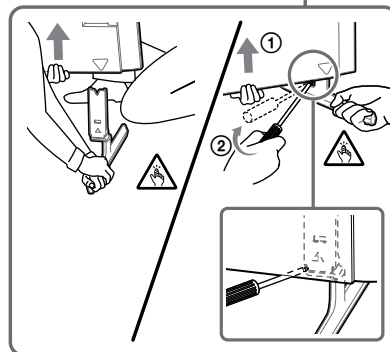
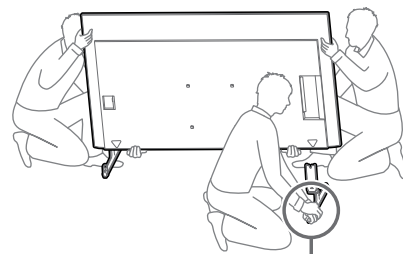
- 請將牆內佈線的工作委託給經授權的承包商。
- 進行牆壁安裝前，請先將連接電纜捆起來，以免被踩踏。

6 從電視機或 LCD 顯示器拆卸桌面底座。

以下圖例為操作示例。

KD-75X85L / 65X85L / 65X85BL / 55X85L, KM-75X85L / 65X85L / 55X85L, XR-85X90L / 75X90L / 65X90L / 55X90L, XRM-85X90L / 75X90L / 65X90L / 55X90L 除外

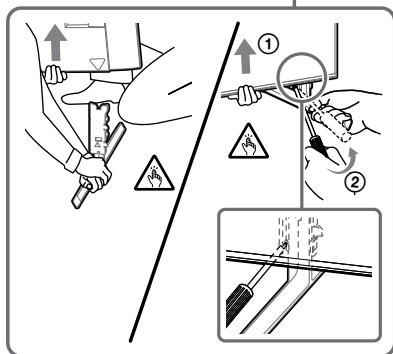
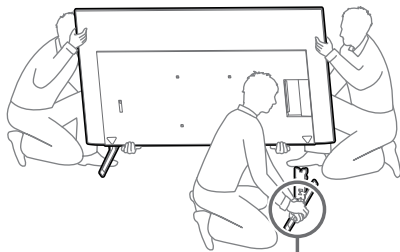
- 一次拆下桌面底座的一側。當其他人抬起電視機或 LCD 顯示器時，用雙手牢牢抓住桌面底座。



- 重複上一步並拆下桌面底座的另一側。

僅限 XR-85X90L / 75X90L / 65X90L / 55X90L, XRM-85X90L / 75X90L / 65X90L / 55X90L

- 一次拆下桌面底座的一側。當其他人抬起電視機或 LCD 顯示器時，用雙手牢牢抓握住桌面底座。



- 重複上一步並拆下桌面底座的另一側。

註

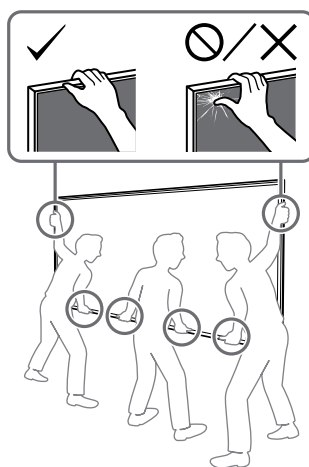
- 需要三人或更多人拆卸桌面底座。
- 從電視機或 LCD 顯示器拆卸桌面底座時，小心不要過度施力，以免導致電視機或 LCD 顯示器掉落而造成人身傷害或對電視機或 LCD 顯示器造成物理性損壞。
- 在搬運桌面底座時，請小心處理，以避免損壞電視機或 LCD 顯示器。
- 拆卸桌面底座後抬起電視機或 LCD 顯示器時要小心，以免桌面底座傾倒而導致人身傷害。
- 當從電視機或 LCD 顯示器拆下桌面底座時要小心，防止底座翻倒而損壞放置電視機或 LCD 顯示器的表面。

將電視機或 LCD 顯示器安裝至牆上

僅限 KD-85X8xL / 85X8xBL / 75X8xL / 75X8xBL, KM-85X8xL / 75X8xL, XR-85X9xL / 75X9xL, XRM-85X9xL / 75X9xL

警告

- 搬運大型電視機或 LCD 顯示器需要至少兩個人（搬運 189.3 公分（75 英寸）及更大的電視機或 LCD 顯示器需要至少三個人）（埃及除外）。
- 搬運大型電視機或 LCD 顯示器需要至少兩個人（搬運 75 英寸（189.3 公分）及更大的電視機或 LCD 顯示器需要至少三個人）（僅限埃及）。



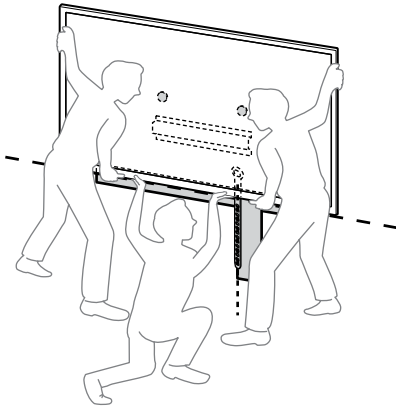
1 抬起電視機或 LCD 顯示器。

- 有關在底座 (20) ① 或底座轉接器 ① 上懸掛滑輪 ② 的位置，請參閱第 19 頁“底座轉接器 ① 的安裝位置”。
- 抓握住電視機或 LCD 顯示器時，確保電視機或 LCD 顯示器背面接觸底座 (20) ① 或底座轉接器 ①。

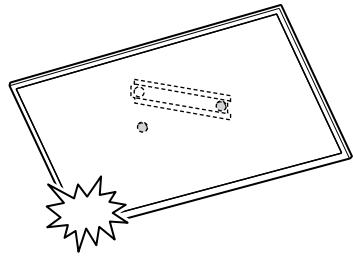
註

- 用雙手牢牢抓握住電視機或 LCD 顯示器，確保皮帶 ⑤ 和電視機或 LCD 顯示器底部與封口膠帶對齊。

- 由三個人搬運電視機或 LCD 顯示器，在電視機或 LCD 顯示器前面的人引導其他人調整位置。

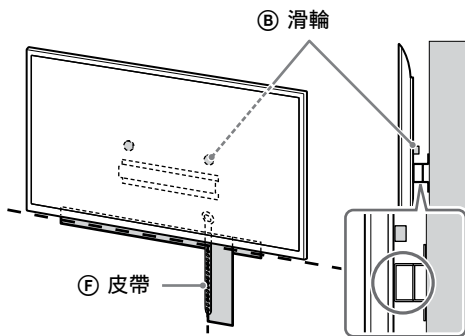


- 緩慢鬆開雙手以確保電視機或 LCD 顯示器不會掉落。



- 在牆上安裝電視機或 LCD 顯示器後，從牆上取下封口膠帶等。

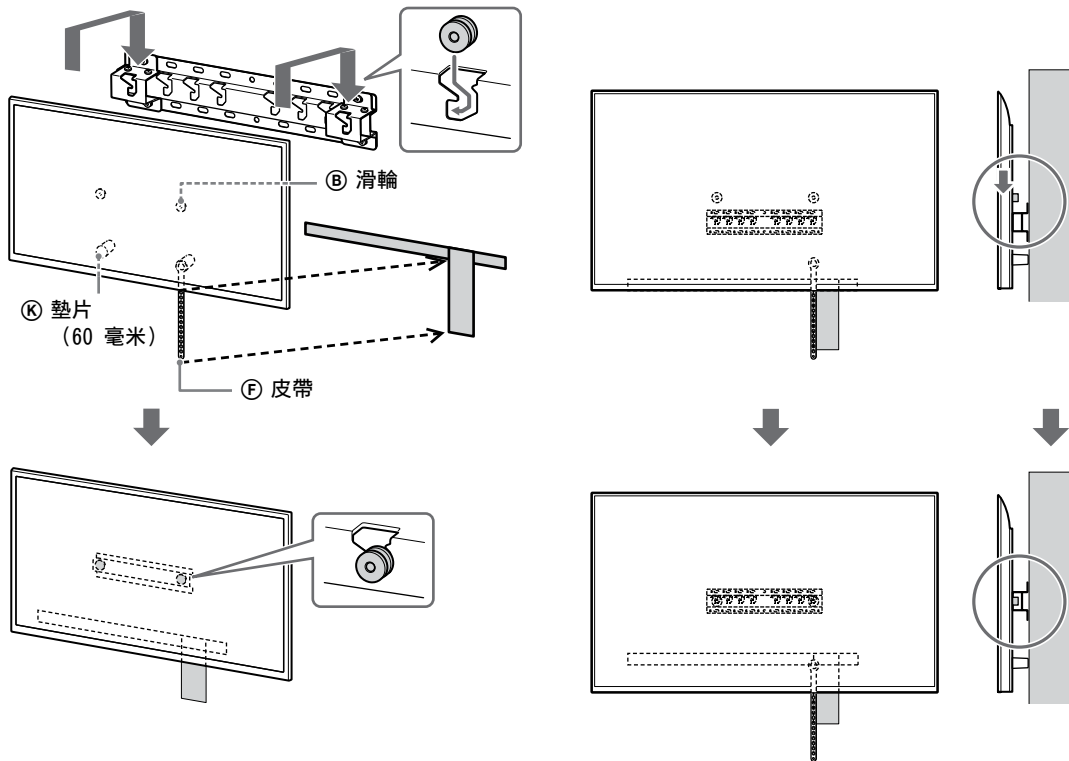
- 將電視機或 LCD 顯示器安裝到牆上要特別小心，尤其是從下方支撐電視機或 LCD 顯示器的人，因為電視機或 LCD 顯示器可能會掉落，從而造成嚴重的人身傷害甚至死亡。



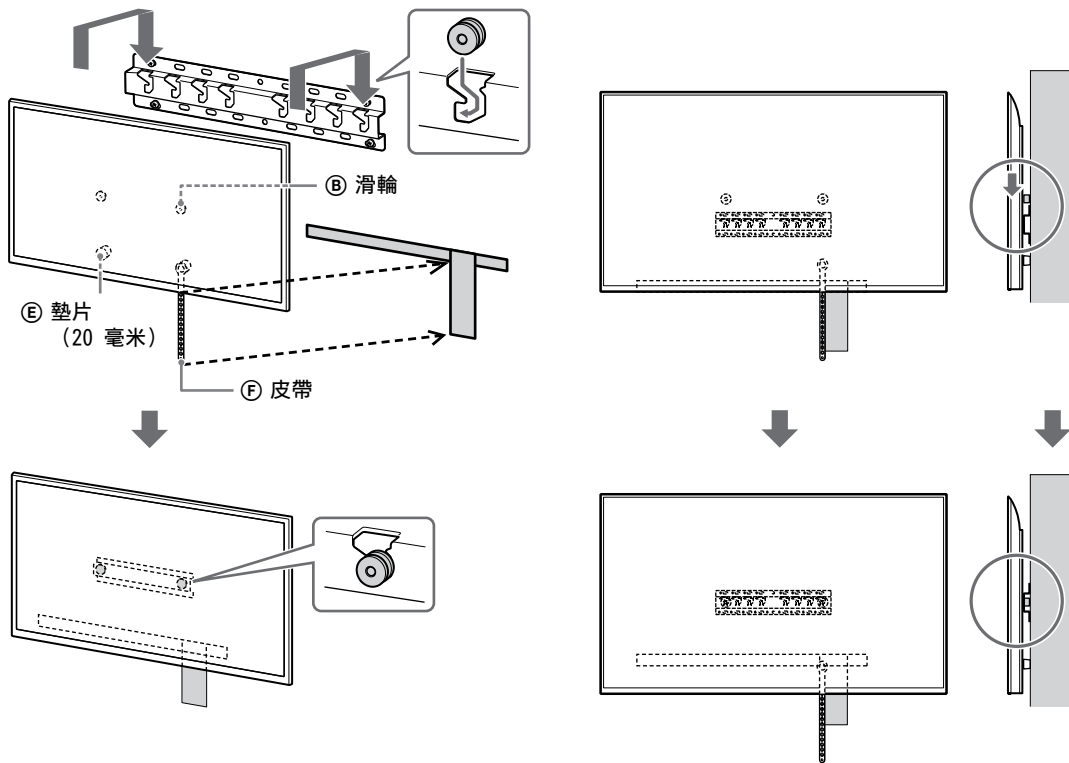
2 將電視機或 LCD 顯示器安裝到底座 (20) ① 或底座轉接器 ① 上。

- 輕輕向下滑動電視機或 LCD 顯示器，將連接在電視機或 LCD 顯示器背面的滑輪 ② 懸掛在底座 (20) ① 或底座轉接器 ① 上，確保確認孔的形狀。
- 將電視機或 LCD 顯示器安裝在牆上後，確認滑輪 ② 已牢固地鎖入底座 (20) ① 或底座轉接器 ① 中。

如果選擇的是標準安裝 (2-a) :

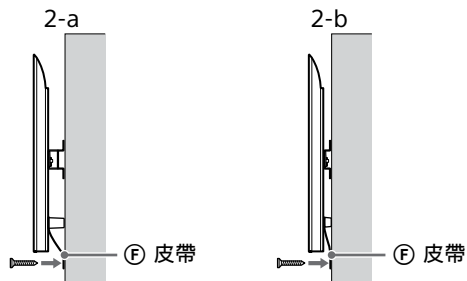


如果選擇的是簡易安裝 (2-b) :



3 避免電視機或 LCD 顯示器的底部移動。

- 收起過長的皮帶 (F)，牢固地安裝至牆上。



- 請使用 5 毫米直徑或相等規格的螺絲 (不提供)。

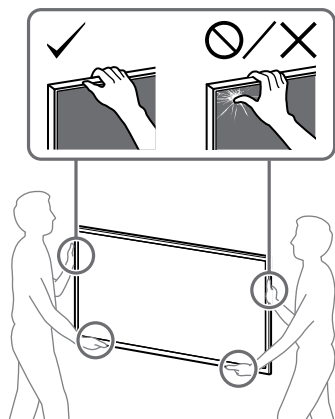
註

- 嘗試朝身體方向輕拉電視機或 LCD 顯示器的底部，確保其不會再向前移動。如果會移動，表示未正確固定，應重新牢牢固定皮帶 (F)。

KD-85X8xL / 85X8xBL / 75X8xL / 75X8xBL, KM-85X8xL / 75X8xL, XR-85X9xL / 75X9xL, XRM-85X9xL / 75X9xL 除外

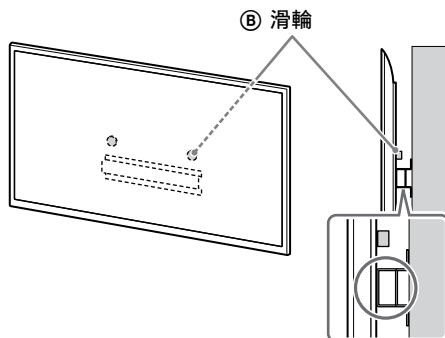
警告

- 搬運大型電視機或 LCD 顯示器需要至少兩個人 (搬運 189.3 公分 (75 英寸) 及更大的電視機或 LCD 顯示器需要至少三個人) (埃及除外)。
搬運大型電視機或 LCD 顯示器需要至少兩個人 (搬運 75 英寸 (189.3 公分) 及更大的電視機或 LCD 顯示器需要至少三個人) (僅限埃及)。



1 抬起電視機或 LCD 顯示器。

- 有關在底座 (20) (A) 或底座轉接器 (I) 上懸掛滑輪 (B) 的位置，請參閱第 19 頁“底座轉接器 (I) 的安裝位置”。
- 抓握住電視機或 LCD 顯示器時，確保電視機或 LCD 顯示器背面接觸底座 (20) (A) 或底座轉接器 (I)。

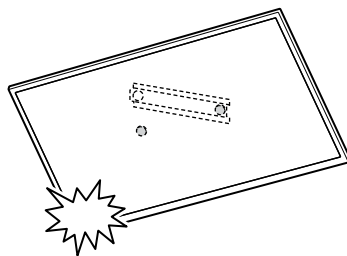


註

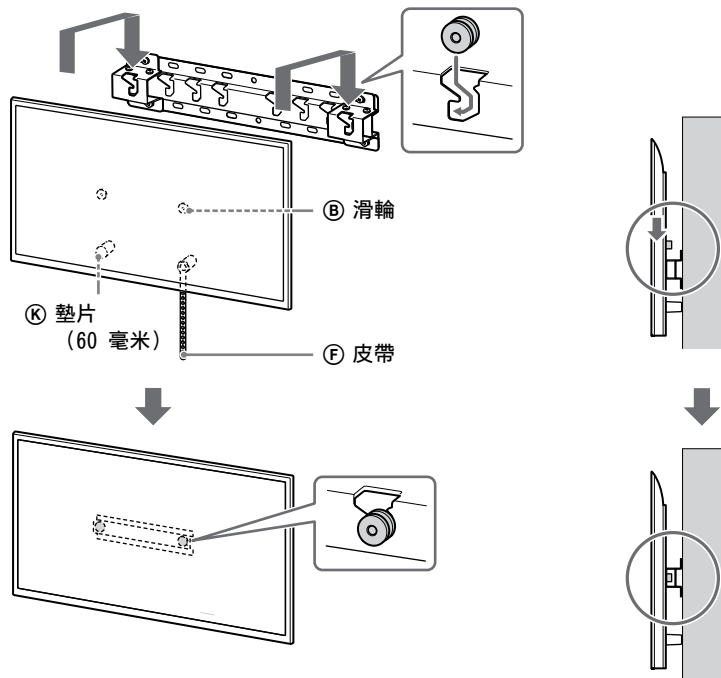
- 用雙手牢牢抓握住電視機或 LCD 顯示器。

2 將電視機或 LCD 顯示器安裝到底座 (20) (A) 或底座轉接器 (I) 上。

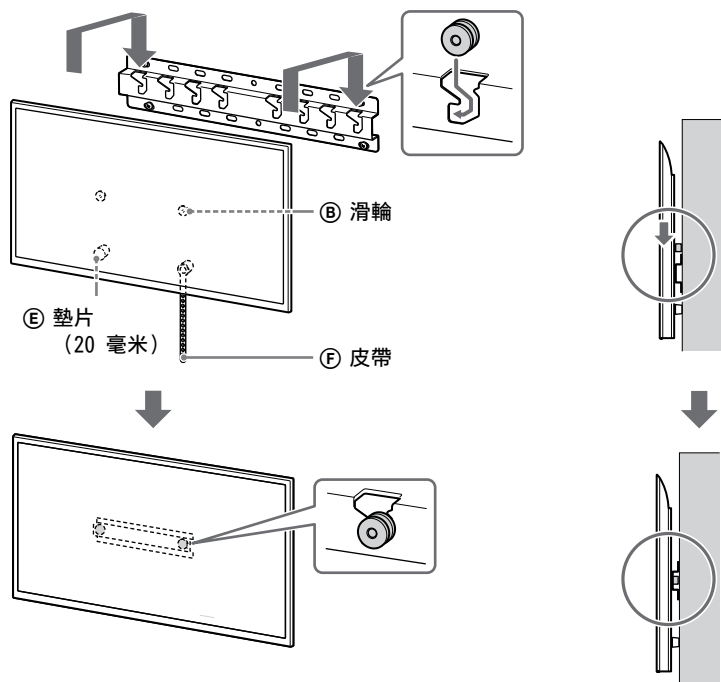
- 輕輕向下滑動電視機或 LCD 顯示器，將連接在電視機或 LCD 顯示器背面的滑輪 (B) 懸掛在底座 (20) (A) 或底座轉接器 (I) 上，確保確認孔的形狀。
- 將電視機或 LCD 顯示器安裝在牆上後，確認滑輪 (B) 已牢固地鎖入底座 (20) (A) 或底座轉接器 (I) 中。
- 緩慢鬆開雙手以確保電視機或 LCD 顯示器不會掉落。



如果選擇的是標準安裝 (2-a) :

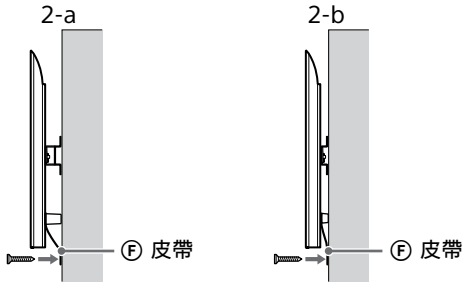


如果選擇的是簡易安裝 (2-b) :



3 避免電視機或 LCD 顯示器的底部移動。

- 收起過長的皮帶 (F)，牢固地安裝至牆上。



- 請使用 5 毫米直徑或相等規格的螺絲 (不提供)。

註

- 嘗試朝身體方向輕拉電視機或 LCD 顯示器的底部，確保其不會再向前移動。如果會移動，表示未正確固定，應重新牢牢固定皮帶 (F)。

確認安裝完成

請檢查下列事項。

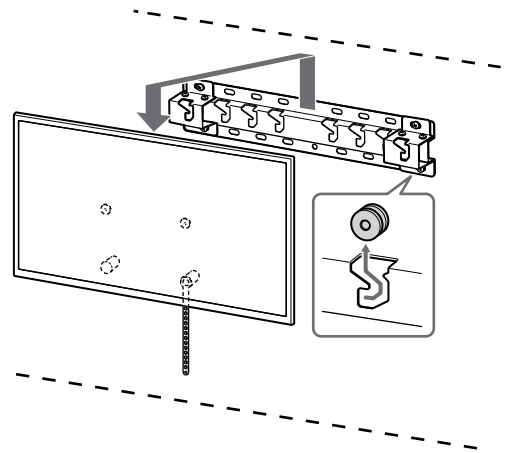
- 此滑輪 (B) 牢牢地掛在底座 (20) (A) 或底座轉接器 (1) 上。
- 電線和電纜未被扭曲或擠壓。
- 皮帶 (F) 已拉緊，無鬆弛現象。

警告

- 電源線等位置不當，會因短路而引起火或觸電。請務必確認安裝工作已完成，以保證安全。

其他資訊

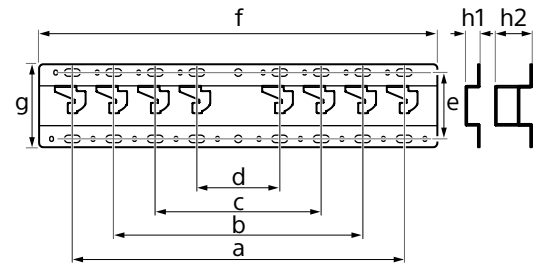
拆下電視機或 LCD 顯示器時，請反向操作之前的安裝步驟。



警告

- 搬運大型電視機或 LCD 顯示器需要至少兩個人 (搬運 189.3 公分 (75 英寸) 及更大的電視機或 LCD 顯示器需要至少三個人) (埃及除外)。
搬運大型電視機或 LCD 顯示器需要至少兩個人 (搬運 75 英寸 (189.3 公分) 及更大的電視機或 LCD 顯示器需要至少三個人) (僅限埃及)。

規格



尺寸：(大約) [毫米]

a : 400
b : 300
c : 200
d : 100
e : 80
f : 480
g : 100

h1 : 20 (對應簡易安裝, 2-b)
h2 : 60 (對應標準安裝, 2-a)

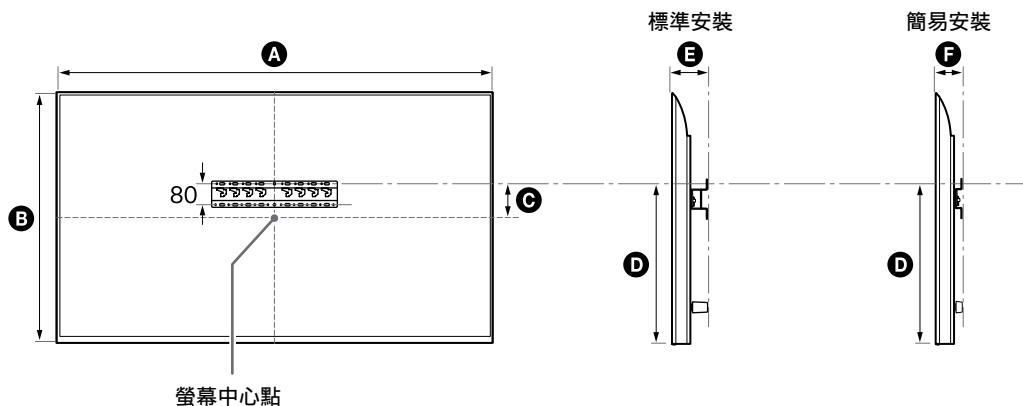
重量 (僅底座) : (大約) [千克]
0.8

產品設計與規格若有變更，恕不另行通知。

參考

在牆上安裝壁掛式支架的尺寸參數

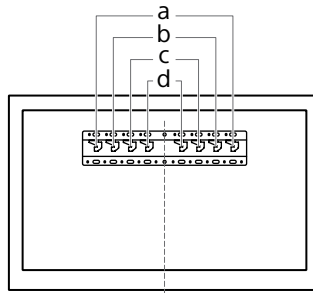
表中數字可能因安裝方式而稍有不同。



(毫米)

型號名稱	A	B	C	D	E	F
KD-85X81BL / 85X80L KM-85X80L	1901	1090	43	592	138	96
XR-85X90L XRM-85X90L	1891	1085	58	607	125	83
KD-75X85L KM-75X85L	1671	960	21	508	123	81
KD-75X81BL / 75X80L KM-75X80L	1675	962	12	493	137	95
XR-75X90L XRM-75X90L	1668	959	21	508	123	81
KD-65X85L / 65X85BL KM-65X85L	1447	832	85	505	123	81
KD-65X81BL / 65X80L KM-65X80L	1452	836	76	494	135	93
XR-65X90L XRM-65X90L	1445	831	85	505	123	81
KD-55X85L KM-55X85L	1228	709	146	505	122	81
KD-55X81BL / 55X80L KM-55X80L	1233	713	133	494	135	93
XR-55X90L XRM-55X90L	1225	707	146	505	122	81
KD-50X80L KM-50X80L	1119	649	63	392	133	91
KD-43X80L KM-43X80L	964	563	111	392	133	91

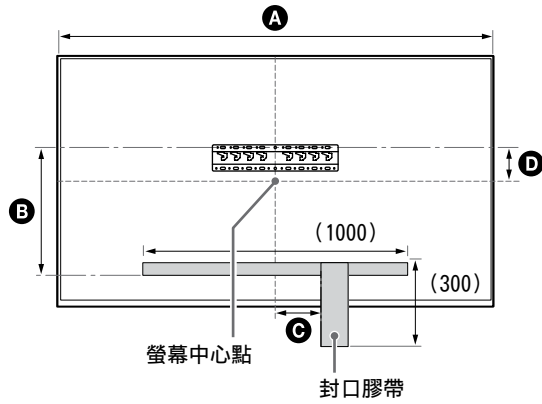
底座轉接器 ① 的安裝位置



型號名稱	掛鉤位置
KD-85X81BL / 85X80L KM-85X80L XR-85X90L XRM-85X90L	a
KD-75X85L / 75X81BL / 75X80L KM-75X85L / 75X80L XR-75X90L XRM-75X90L	b
KD-65X85L / 65X85BL / 65X81BL / 65X80L KM-65X85L / 65X80L XR-65X90L XRM-65X90L	b

型號名稱	掛鉤位置
KD-55X85L / 55X81BL / 55X80L KM-55X85L / 55X80L XR-55X90L XRM-55X90L	b
KD-50X80L KM-50X80L	c
KD-43X80L KM-43X80L	c

電視或 LCD 顯示器安裝位置的牆壁標記



(毫米)

型號名稱	A	B	C	D
KD-85X81BL / 85X80L KM-85X80L	1901	472	200	43
XR-85X90L XRM-85X90L	1891	486	200	58
KD-75X85L KM-75X85L	1671	388	150	21
KD-75X81BL / 75X80L KM-75X80L	1675	373	150	12
XR-75X90L XRM-75X90L	1668	388	150	21

Thông tin Lắp đặt dành cho Giá đỡ Treo tường Sony (SU-WL450)

Các model được hỗ trợ*:

* Trong tên model thực tế, “x”/“xx” thể hiện các số hiệu và/hoặc ký tự dành riêng cho từng model.

KD-85X8xL / 85X8xBL / 75X8xL / 75X8xBL / 65X8xL / 65X8xBL / 55X8xL / 55X8xBL / 50X8xL / 43X8xL

KM-85X8xL / 75X8xL / 65X8xL / 55X8xL / 50X8xL / 43X8xL

XR-85X9xL / 75X9xL / 65X9xL / 55X9xL

XRM-85X9xL / 75X9xL / 65X9xL / 55X9xL

Với khách hàng

Để bảo vệ sản phẩm và vì lý do an toàn, Sony khuyến cáo rằng việc lắp đặt TV hoặc Màn hình LCD phải do đại lý Sony hoặc các đại lý được ủy quyền của Sony tiến hành. Không nên cố tự lắp đặt sản phẩm.

Với các đại lý và nhà thầu Sony

Hết sức lưu ý tới an toàn trong quá trình lắp đặt, bảo dưỡng định kỳ và kiểm tra sản phẩm.

Cần có đủ chuyên môn để lắp đặt sản phẩm này, đặc biệt khi xác định độ bền của tường để chịu được trọng lượng của TV hoặc Màn hình LCD. Đảm bảo giao việc lắp đặt sản phẩm này trên tường cho đại lý hoặc nhà thầu được cấp phép của Sony và đặc biệt chú ý đến an toàn trong quá trình lắp đặt. Sony sẽ không chịu trách nhiệm với bất cứ hỏng hóc hay chấn thương nào do việc lắp đặt sai hoặc lắp đặt không đúng chuẩn gây ra.

Để lắp đặt an toàn và chính xác, hãy làm theo Hướng dẫn Sử dụng Giá đỡ Treo tường, Hướng dẫn cài đặt TV hoặc Màn hình LCD và các chỉ dẫn trong sách hướng dẫn này.

Giá đỡ Treo tường

Về sự an toàn

Cảm ơn bạn vì đã mua sản phẩm này.

Với khách hàng

Lắp TV hoặc Màn hình LCD In tường



CẢNH BÁO

YÊU CẦU LẮP ĐẶT CHUYÊN NGHIỆP

Sản phẩm này chỉ được lắp đặt bởi thợ lắp đặt có chuyên môn, được đào tạo để xác định sức bền chịu được trọng lượng TV hoặc Màn hình LCD của tường. Nếu không được cố định chắc chắn trong khi lắp đặt, TV hoặc Màn hình LCD có thể bị rơi và gây thương tích nghiêm trọng. Sony sẽ không chịu trách nhiệm với bất cứ hỏng hóc hay chấn thương nào do việc lắp đặt sai hoặc lắp đặt không đúng chuẩn gây ra hoặc lắp đặt sản phẩm không được chỉ định. Quyền pháp định của quý khách (nếu có) không bị ảnh hưởng.

Dành cho Đại lý của Sony

Cần người có kỹ thuật chuyên môn để lắp đặt sản phẩm này. Phải đọc kỹ sách hướng dẫn sử dụng này để tiến hành lắp đặt một cách an toàn. Sony sẽ không chịu trách nhiệm với bất cứ hỏng hóc hay chấn thương nào do việc lắp đặt sai hoặc lắp đặt không đúng chuẩn gây ra. Hãy đưa tài liệu này cho khách hàng sau khi lắp đặt.

Sách hướng dẫn sử dụng này trình bày việc sử dụng sản phẩm đúng cách và những cảnh báo quan trọng cần thiết để phòng ngừa tai nạn. Bạn có trách nhiệm đọc, hiểu rõ và tuân thủ tất cả các chỉ dẫn trong sách hướng dẫn sử dụng này. Việc không tuân thủ có thể dẫn đến thương tích hoặc thiệt hại tài sản nghiêm trọng, và có thể làm mất hiệu lực bảo hành. Giữ lại hướng dẫn sử dụng này để tham khảo về sau.

Các sản phẩm của Sony được thiết kế với lưu ý về sự an toàn. Tuy nhiên, nếu các sản phẩm được sử dụng không đúng cách, có thể dẫn đến thương tích nghiêm trọng do cháy, điện giật, đổ hoặc rơi sản phẩm. Phải tuân thủ các cảnh báo về an toàn để phòng ngừa những tai nạn như vậy.

LƯU Ý

Các sản phẩm được chỉ định

Giá đỡ Treo tường này được thiết kế để sử dụng cùng các sản phẩm được chỉ định cho các TV hoặc Màn hình LCD. Đối với TV hoặc Màn hình LCD, hãy xem Hướng dẫn Tham khảo để xác minh có thể sử dụng Giá đỡ Treo tường.

Với khách hàng

CẢNH BÁO

Nếu không tuân thủ những cảnh báo sau, có thể dẫn đến thương tích nghiêm trọng hoặc tử vong do cháy, điện giật hoặc rơi sản phẩm.

Phải ký hợp đồng phụ về lắp đặt với các nhà thầu được cấp phép và không để trẻ nhỏ lại gần trong quá trình lắp đặt.

Nếu Giá đỡ Treo tường hoặc TV hoặc Màn hình LCD không được lắp đặt đúng cách, các tai nạn sau có thể xảy ra. Phải để các nhà thầu được cấp phép thực hiện việc lắp đặt.

- TV hoặc Màn hình LCD có thể bị rơi và gây ra thương tích nghiêm trọng như thâm tím hoặc gãy xương.
- Nếu tường để lắp đặt Giá đỡ Treo tường không ổn định, không bằng phẳng hoặc không vuông góc với sàn nhà, thiết bị có thể bị rơi và gây ra thương tích hoặc thiệt hại tài sản. Tường phải có khả năng chịu được trọng lượng tối thiểu gấp bốn lần trọng lượng TV hoặc Màn hình LCD. (Tham khảo trọng lượng của TV hoặc Màn hình LCD trong Hướng dẫn Tham khảo.)
- Nếu lắp đặt Giá đỡ Treo tường trên tường không đủ vững chắc, thiết bị có thể bị rơi và gây ra thương tích hoặc thiệt hại tài sản.

Phải ký hợp đồng phụ về việc di chuyển hoặc tháo dỡ TV hoặc Màn hình LCD với các nhà thầu được cấp phép.

Nếu việc vận chuyển và tháo dỡ TV hoặc Màn hình LCD do người khác không phải nhà thầu được cấp phép tiến hành, TV hoặc Màn hình LCD có thể bị rơi và gây ra thương tích hoặc thiệt hại tài sản. Để di chuyển TV hoặc Màn hình LCD có kích thước lớn cần có ít nhất hai người (ít nhất ba người đối với TV hoặc Màn hình LCD từ 189,3 cm (75 inch) trở lên) (ngoại trừ Ai Cập).

Để di chuyển TV hoặc Màn hình LCD có kích thước lớn cần có ít nhất hai người (ít nhất ba người đối với TV hoặc Màn hình LCD từ 75 inch (189,3 cm) trở lên) (chỉ áp dụng với Ai Cập).

Không tháo vít v.v... sau khi lắp TV hoặc Màn hình LCD.

Nếu bạn làm như vậy, TV hoặc Màn hình LCD có thể bị rơi và gây ra thương tích hoặc thiệt hại tài sản.

Không thay đổi các bộ phận của Giá đỡ Treo tường.

Nếu bạn tháo hoặc thay đổi, Giá đỡ Treo tường có thể bị rơi và gây ra thương tích hoặc thiệt hại tài sản.

Không treo bất kỳ thiết bị nào khác với sản phẩm được chỉ định.

Giá đỡ Treo tường này chỉ được thiết kế để sử dụng với sản phẩm được chỉ định. Nếu bạn treo thiết bị khác với sản phẩm được chỉ định, giá treo có thể bị rơi hoặc vỡ và có thể gây thương tích hoặc thiệt hại tài sản.

Không đặt vật nặng nào khác ngoài TV hoặc Màn hình LCD lên trên Giá đỡ Treo tường. Không lắp TV hoặc Màn hình LCD sang trái/phải, lên/xuống.

Nếu bạn làm như vậy, TV hoặc Màn hình LCD có thể bị rơi và gây ra thương tích hoặc thiệt hại tài sản.

Không dựa hoặc treo các đồ vật lên TV hoặc Màn hình LCD.

Không dựa hoặc treo các đồ vật lên TV hoặc Màn hình LCD vì TV hoặc Màn hình LCD có thể rơi vào bạn và gây ra thương tích nghiêm trọng.

LƯU Ý

Nếu không tuân thủ các cảnh báo sau, có thể xảy ra thương tích hoặc thiệt hại tài sản.

- Bảo đảm rằng bạn đặt các chi tiết chưa dùng ở nơi an toàn để sử dụng sau. Để xa tầm tay của trẻ em.

Không tác động lực quá mạnh lên sản phẩm trong quá trình lau hoặc bảo dưỡng.

Không tác động lực quá mạnh lên phía trên của TV hoặc Màn hình LCD. Nếu bạn làm như vậy, TV hoặc Màn hình LCD có thể bị rơi và gây ra thương tích hoặc thiệt hại tài sản.

Cảnh báo

- Nếu bạn sử dụng TV hoặc Màn hình LCD được lắp đặt trên Giá đỡ Treo tường trong một thời gian dài, tường phía sau hoặc phía trên TV hoặc Màn hình LCD có thể bị bạc màu hoặc giấy dán tường có thể bị bong ra, tùy thuộc vào vật liệu của tường.
- Nếu bạn tháo Giá đỡ Treo tường sau khi lắp đặt vào tường, trên tường sẽ còn lại các lỗ bắt vít.
- Không sử dụng Giá đỡ Treo tường ở nơi Giá đỡ Treo tường phải chịu dao động cơ học.

VN

Lắp đặt Giá đỡ Treo tường

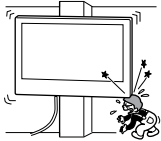
Dành cho Đại lý của Sony

CẢNH BÁO

Các hướng dẫn sau đây chỉ dành cho các đại lý của Sony. Đảm bảo đọc các lưu ý về an toàn được mô tả phía trên và đặc biệt chú ý tới sự an toàn trong quá trình lắp đặt, bảo trì và kiểm tra sản phẩm này.

Không lắp đặt Giá đỡ Treo tường trên bề mặt tường mà các góc hoặc cạnh của TV hoặc Màn hình LCD nhô ra khỏi bề mặt tường.

Không lắp đặt Giá đỡ Treo tường trên bề mặt tường như cột, mà các góc hoặc cạnh của TV hoặc Màn hình LCD nhô ra khỏi bề mặt tường. Nếu người hoặc đồ vật nào đó va vào góc hoặc cạnh nhô ra của TV hoặc Màn hình LCD, có thể gây ra thương tích hoặc thiệt hại tài sản.

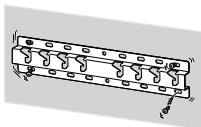


Không lắp đặt TV hoặc Màn hình LCD bên trên hoặc bên dưới điều hoà nhiệt độ.

Nếu TV hoặc Màn hình LCD tiếp xúc với lỗ rò nước hoặc luồng không khí từ điều hoà nhiệt độ trong thời gian dài, có thể dẫn đến cháy, điện giật hoặc hỏng TV hoặc Màn hình LCD.

Đảm bảo lắp đặt chắc chắn Giá đỡ Treo tường vào tường theo các hướng dẫn trong sách hướng dẫn sử dụng này.

Nếu bất kỳ vít nào bị lỏng hoặc rơi ra, Giá đỡ Treo tường có thể bị rơi và gây ra thương tích hoặc thiệt hại tài sản. Đảm bảo sử dụng vít thích hợp cho vật liệu của tường và lắp đặt thiết bị một cách chắc chắn bằng cách sử dụng bốn vít trở lên có đường kính 8 mm (hoặc tương đương).



Phải sử dụng vít đi kèm và các phụ kiện đúng theo các hướng dẫn đã nêu trong sách hướng dẫn sử dụng này. Nếu bạn sử dụng các bộ phận thay thế, TV hoặc Màn hình LCD có thể bị rơi và gây ra thương tích cho người hoặc hỏng hóc TV hoặc Màn hình LCD.

Đảm bảo lắp giá đỡ đúng cách theo quy trình được hướng dẫn được giải thích trong sách hướng dẫn sử dụng này.

Nếu bất kỳ vít nào bị lỏng hoặc rơi ra, TV hoặc Màn hình LCD có thể bị rơi và gây ra thương tích hoặc hỏng hóc TV hoặc Màn hình LCD.

Phải vặn chặt các vít vào vị trí được chỉ định.

Nếu bạn không làm như vậy, TV hoặc Màn hình LCD có thể bị rơi và gây thương tích cho người hoặc hỏng hóc TV hoặc Màn hình LCD.

Cẩn thận để TV hoặc Màn hình LCD không bị va chạm trong quá trình lắp đặt.

Nếu TV hoặc Màn hình LCD bị va chạm, thiết bị có thể bị rơi hoặc vỡ. Việc này có thể gây ra thương tích.

Phải lắp đặt TV hoặc Màn hình LCD trên tường vuông góc và phẳng.

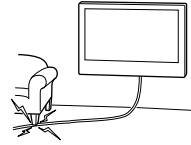
Nếu không làm như vậy, TV hoặc Màn hình LCD có thể rơi và dẫn đến thương tích.

Sau khi lắp đặt TV hoặc Màn hình LCD đúng cách, hãy cố định các cáp đúng cách.

Nếu cáp gây vướng víu cho người hoặc đồ vật, việc này có thể gây ra thương tích hoặc hư hại đối với TV hoặc Màn hình LCD.

Không được để cho dây nguồn AC hoặc cáp nối bị bó kẹt.

Nếu dây nguồn AC hoặc cáp nối bị bó kẹt giữa thiết bị và tường hoặc bị vận xoắn do lực tác động, dây dẫn điện bên trong có thể bị hở ra và dẫn đến đoản mạch hoặc mất điện. Việc này có thể gây ra cháy hoặc điện giật.



Vít cần thiết để vặn chặt Giá đỡ Treo tường vào tường không được cung cấp.

Sử dụng vít phù hợp đối với cấu trúc và vật liệu tường khi gắn Giá đỡ Treo tường.

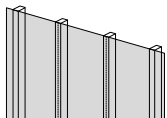
Trước khi bắt đầu

- Hình minh họa về TV hoặc Màn hình LCD trong sách hướng dẫn này là những ví dụ được sử dụng để cung cấp giải thích rõ ràng về hoạt động. Vì lý do này, nên các hình minh họa có thể khác với TV hoặc Màn hình LCD thực tế của bạn.

Tường của bạn xây bằng gì?

Trước tiên, hãy kiểm tra loại tường sẽ lắp TV hoặc Màn hình LCD.

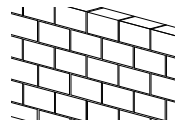
Tường thạch cao có các khung thanh đứng



Cảnh báo

- Độ dày tối đa của tường không tô: 16 mm.
- Đảm bảo kích cỡ của thanh đứng gỗ bên trong ít nhất là 51 mm × 102 mm đối với loại thường hoặc 38 mm × 89 mm đối với loại danh nghĩa.

Bê tông cứng hoặc khối bê tông



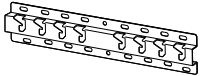






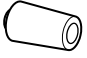

Cảnh báo

- Gắn Giá đỡ Treo tường trực tiếp lên tường bê tông đúc.
- Đảm bảo độ dày của tường bê tông đúc ít nhất là 203 mm.
- Đảm bảo kích cỡ của mỗi viên gạch không nung ít nhất là 203 mm × 203 mm × 406 mm.




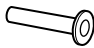

Kiểm tra các bộ phận

Được cung cấp cùng với SU-WL450

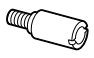
- Xác minh rằng tất cả các bộ phận được bao gồm.

<p>Ⓐ Chân đế (20) (×1)</p> 	<p>Ⓑ Pulí (×2)</p> 	<p>Ⓒ Vít (+PSW 6 × 20) (×4)</p> 	<p>Ⓔ Vòng đệm (20 mm) (×2)</p> 
<p>Ⓕ Đai truyền (×1)</p> 	<p>Ⓘ Khớp nối chân đế (×2)</p> 	<p>Ⓙ Vít (+PSW 4 × 10) (×8)</p> 	<p>Ⓚ Vòng đệm (60 mm) (×2)</p> 
<p>Ⓛ Vít (+PSW 6 × 50) (×2)</p> 			

- Những bộ phận này có thể không được sử dụng cho mẫu máy của bạn.

<p>Ⓓ Vít (+PSW 4 × 20) với Bạc lót (×2)</p> 	<p>Ⓞ Bạc lót (20) (M4) (×2)</p> 	<p>Ⓢ Vít (+PSW 4 × 20) (×2)</p> 	<p>Ⓜ Bạc lót (M4) (×2)</p> 
<p>Ⓝ Vít (+PSW 4 × 50) (×2)</p> 			

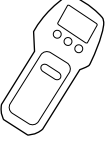

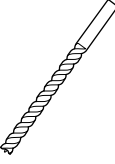
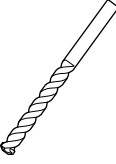
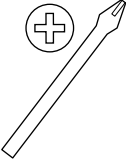
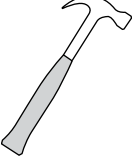
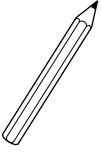
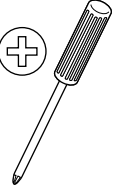
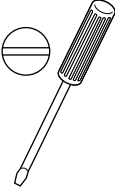
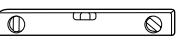



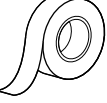
Cung cấp kèm theo TV hoặc Màn hình LCD

<p>Phụ kiện treo tường VS (×4)*</p> 
--

- * Chỉ dành cho một số khu vực/quốc gia/model.

Chuẩn bị lắp đặt

- Cầm sẵn Hướng dẫn Tham khảo và Hướng dẫn cài đặt của TV hoặc Màn hình LCD trên tay trước khi lắp đặt.
- Xác nhận vị trí lắp đặt TV hoặc Màn hình LCD của bạn.
- Chuẩn bị bốn vít trở lên có đường kính 8 mm và một vít có đường kính 5 mm hoặc tương đương (không được cung cấp). Chọn các vít phù hợp với vật liệu tường.
- Chuẩn bị các công cụ sau:

*1			 5,5 mm	 10 mm	
*2			 1,5 N·m {15 kgf·cm}	 1,5 N·m {15 kgf·cm}	
		*2  (x4)	 (x4) 8 mm × 60 mm	 5 mm	
*4					

*1 Chỉ dành cho tường thạch cao có các khung thanh đứng



*2 Chỉ dành cho bê tông cứng hoặc khối bê tông

*3 Tùy thuộc vào model

*4 Chỉ dành cho TV hoặc Màn hình LCD 189,3 cm (75 inch) trở lên (ngoại trừ Ai Cập)

Chỉ dành cho TV hoặc Màn hình LCD 75 inch (189,3 cm) trở lên (chỉ áp dụng với Ai Cập)

VN

Lắp Giá đỡ Treo tường lên tường

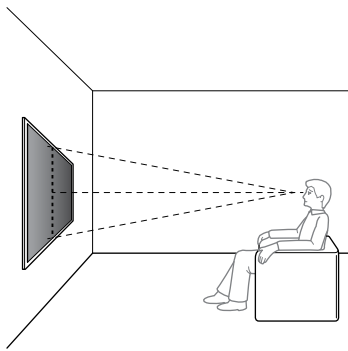
1 Xác định vị trí lắp đặt.

Đảm bảo tường có đủ không gian cho TV hoặc Màn hình LCD và có thể chịu được trọng lượng ít nhất bốn lần trọng lượng của TV hoặc Màn hình LCD.

Tham khảo Hướng dẫn tham khảo của TV hoặc Màn hình LCD để biết trọng lượng của TV hoặc Màn hình LCD.

Lưu ý

- Khi TV hoặc Màn hình LCD được lắp đặt trên tường, phía trên của TV hoặc Màn hình LCD hơi nghiêng về phía trước.
- Chúng tôi khuyên bạn nên kiểm tra vị trí TV hoặc Màn hình LCD từ nơi ngồi xem.



2 Chọn kiểu gắn tường như dưới đây.

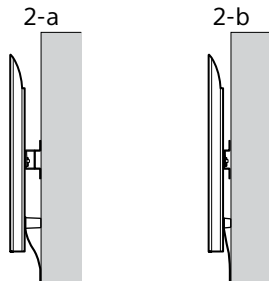
2-a: Gắn tường chuẩn

2-b: Gắn tường nhỏ gọn

- Tham khảo “Đo để lắp đặt Giá đỡ Treo tường trên tường” ở trang 18.

CẢNH BÁO

- Khi 2-b được lựa chọn, Khả năng tiếp cận các cổng ở mặt sau bị giới hạn.

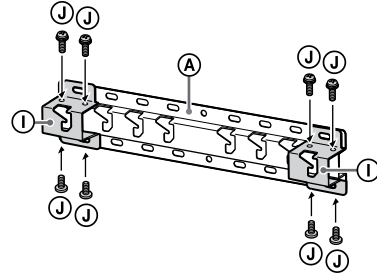


3 Nếu chọn gắn tường chuẩn

(2-a):

Lắp Khớp nối chân đế ① bằng cách sử dụng Vít (+PSW 4 × 10) ② cho Chân đế (20) ③.

- Tham khảo “Vị trí lắp Khớp nối chân đế ①” ở trang 19.



Ví dụ: Lắp Khớp nối chân đế ① tại vị trí “a”

Nếu chọn gắn tường nhỏ gọn

(2-b):

Bỏ qua bước này.

4 Quyết định các vị trí của vít để lắp Chân đế (20) ③.

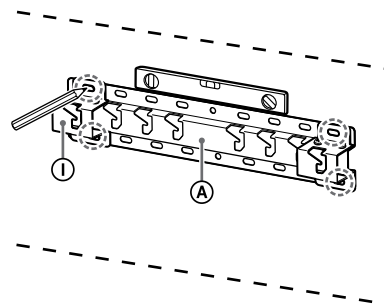
- Tham khảo “Thông số kỹ thuật” ở trang 17.

CẢNH BÁO

- Xác định sức bền của tường sẽ lắp TV hoặc Màn hình LCD. Gia cố lại tường cho chắc chắn, nếu cần.
- Tường sẽ lắp TV hoặc Màn hình LCD lên phải có khả năng chịu được trọng lượng tối thiểu gấp **bốn lần** trọng lượng của TV hoặc Màn hình LCD. (Tham khảo trọng lượng của TV hoặc Màn hình LCD trong Hướng dẫn Tham khảo.)

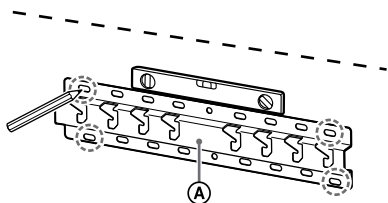
Nếu chọn gắn tường chuẩn (2-a):

Sử dụng các vị trí lỗ của Khớp nối chân đế ①.



Ví dụ: Đánh dấu tại vị trí “a” để lắp Chân đế (20) ③

Nếu chọn gắn tường nhỏ gọn (2-b):

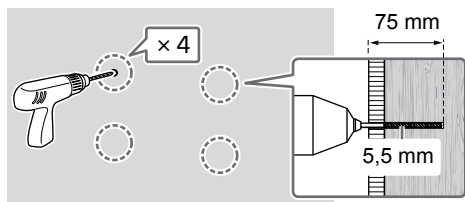


Ví dụ: Đánh dấu tại vị trí "a" để lắp Chân đế (20) A

5 Khoan các lỗ thử lên các điểm đánh dấu.

Đảm bảo vị trí trên tường để khoan các lỗ đủ chắc chắn để đỡ trọng lượng ít nhất gấp bốn lần so với TV hoặc Màn hình LCD.

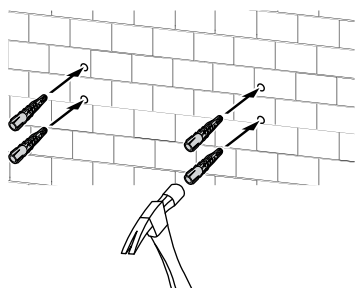
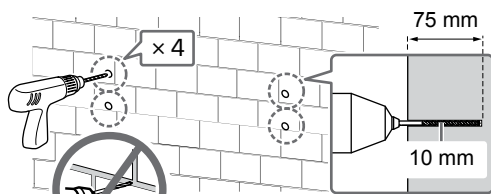
Khoan tường thạch cao có các khung thanh đứng:



Lưu ý

- Các lỗ thử phải được khoan tới độ sâu 75 mm, dùng mũi khoan có đường kính 5,5 mm.

Khoan trên bê tông đặc hoặc khối bê tông:



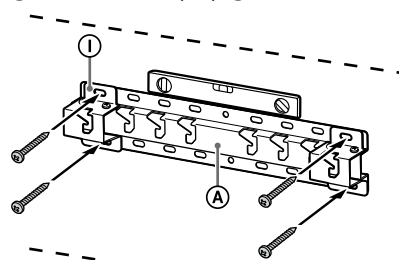
6 Lắp Chân đế (20) A lên tường bằng vít phù hợp (không được cung cấp).

Lưu ý

- Sử dụng bốn vít trở lên có đường kính 8 mm hoặc tương đương (không được cung cấp).
- Sử dụng thước thủy nivô để kiểm tra xem Chân đế (20) A có bằng phẳng không.

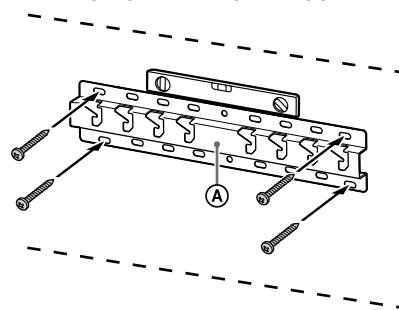
Nếu chọn gắn tường chuẩn (2-a):

Lắp bốn vít vào các lỗ của Khớp nối chân đế ① với Chân đế (20) A.



Ví dụ: Lắp Chân đế (20) A ở vị trí "a"

Nếu chọn gắn tường nhỏ gọn (2-b):



Ví dụ: Lắp Chân đế (20) A ở vị trí "a"

7 Chỉ với mẫu KD-85X8xL / 85X8xBL / 75X8xL / 75X8xBL, KM-85X8xL / 75X8xL, XR-85X9xL / 75X9xL, XRM-85X9xL / 75X9xL

Đánh dấu vị trí lắp đặt trên tường.

Sử dụng băng bảo vệ bề mặt, v.v. (không được cung cấp) để đánh dấu vị trí của TV hoặc Màn hình LCD ở gần Chân đế (20) A hoặc Khớp nối chân đế ①.

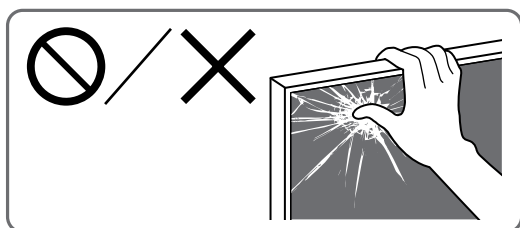
- Tham khảo "Đánh dấu tường cho vị trí lắp đặt TV hoặc Màn hình LCD" ở trang 20.

Ngoại trừ mẫu KD-85X8xL / 85X8xBL / 75X8xL / 75X8xBL, KM-85X8xL / 75X8xL, XR-85X9xL / 75X9xL, XRM-85X9xL / 75X9xL
 Bỏ qua bước này.

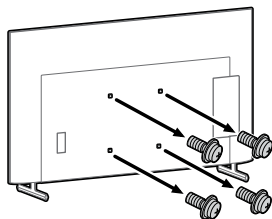
Chuẩn bị lắp đặt TV hoặc Màn hình LCD

Lưu ý

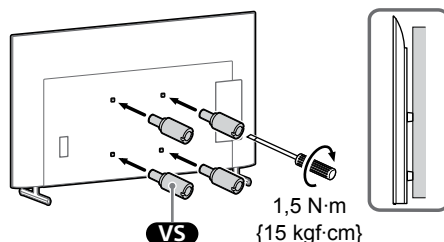
- Bảo đảm cất giữ các ốc vít đã tháo ra và các bộ phận không sử dụng ở nơi an toàn, xa tầm tay của trẻ em.



- 1** Gắn Bộ đế bàn để làm cho TV hoặc Màn hình LCD đứng.
 - Tham khảo Hướng dẫn cài đặt TV hoặc Màn hình LCD.
- 2** Tháo vít khỏi mặt sau của TV hoặc Màn hình LCD.



- 3** Gắn phụ kiện treo tường **VS** (được cung cấp kèm theo TV hoặc Màn hình LCD) vào mặt sau của TV hoặc Màn hình LCD (gắn song song với tường).



Lưu ý

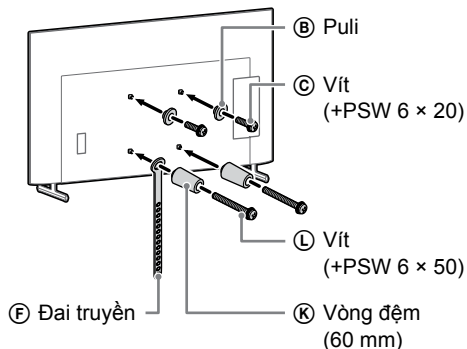
- Lưu ý siết chặt phụ kiện treo tường **VS** khi gắn vào TV hoặc Màn hình LCD. Chỉ sử dụng tuốc nơ vít có đầu dẹt để lắp phụ kiện treo tường **VS**. Dùng dụng cụ khác có thể dẫn đến siết phụ kiện treo tường **VS** quá mạnh và làm hỏng TV hoặc Màn hình LCD.

- 4** Lắp chi tiết Đò gá cho Giá đỡ Treo tường. Kiểm tra các Bộ phận gắn kèm bằng cách tham khảo “Được cung cấp cùng với SU-WL450” trong “Kiểm tra các bộ phận” ở trang 6.

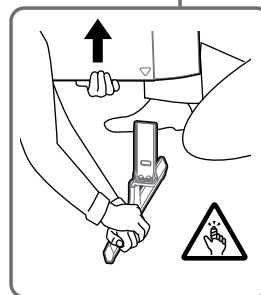
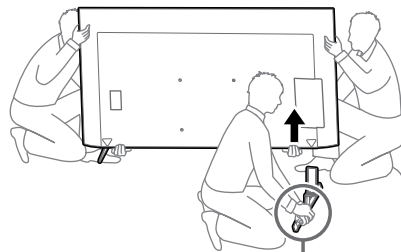
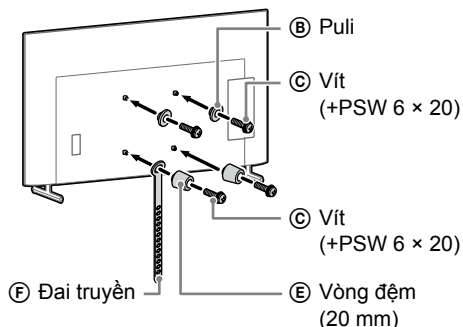
Lưu ý

- Cố định các chi tiết Đò gá một cách chắc chắn bằng vít.
- Khi bạn sử dụng tua vít điện, hãy cài đặt mô men siết ở mức xấp xỉ 1,5 N·m {15 kgf·cm}.

Nếu chọn gắn tường chuẩn (2-a):



Nếu chọn gắn tường nhỏ gọn (2-b):



- Thực hiện lại bước trước và tháo một bên của Bộ đế bàn.

Chỉ với mẫu KD-75X85L / 65X85L / 65X85BL / 55X85L, KM-75X85L / 65X85L / 55X85L

- Tháo từng bên của Bộ đế bàn. Giữ Bộ đế bàn chắc chắn bằng cả hai tay trong khi người còn lại nâng TV hoặc Màn hình LCD lên.

5 Kết nối (các) cáp cần thiết với TV hoặc Màn hình LCD.

Đảm bảo nối các cáp trước khi lắp đặt TV hoặc Màn hình LCD lên tường. Bạn sẽ không thể nối các cáp khi TV hoặc Màn hình LCD đã được lắp đặt.

Lưu ý

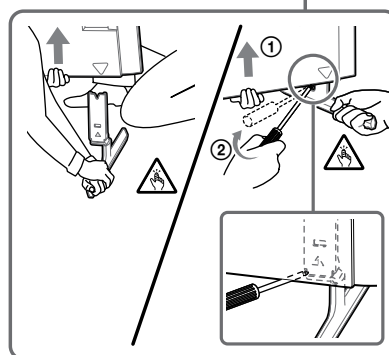
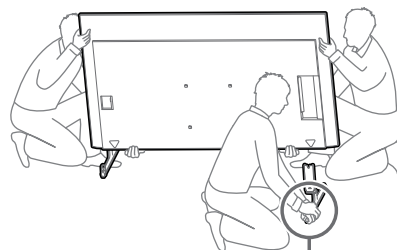
- Ký hợp đồng phụ đi cáp trong tường với nhà thầu được cấp phép.
- Bó cáp nối để ngăn giẫm lên chúng trước khi gắn vào tường.

6 Tháo Bộ đế bàn ra khỏi TV hoặc Màn hình LCD.

Hình minh họa sau đây là một ví dụ về hoạt động.

Ngoại trừ mẫu KD-75X85L / 65X85L / 65X85BL / 55X85L, KM-75X85L / 65X85L / 55X85L, XR-85X90L / 75X90L / 65X90L / 55X90L, XRM-85X90L / 75X90L / 65X90L / 55X90L

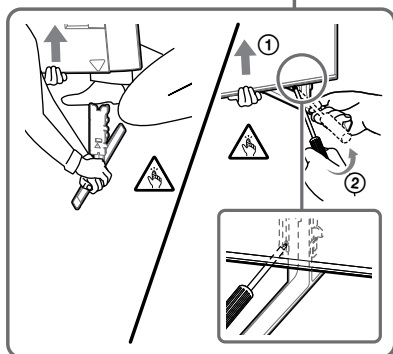
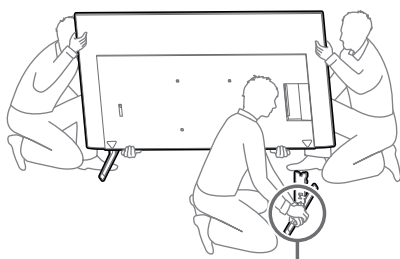
- Tháo từng bên của Bộ đế bàn. Giữ Bộ đế bàn chắc chắn bằng cả hai tay trong khi người còn lại nâng TV hoặc Màn hình LCD lên.



- Thực hiện lại bước trước và tháo một bên của Bộ đế bàn.

Chỉ với mẫu XR-85X90L / 75X90L / 65X90L / 55X90L, XRM-85X90L / 75X90L / 65X90L / 55X90L

- Tháo từng bên của Bộ đế bàn. Giữ Bộ đế bàn chắc chắn bằng cả hai tay trong khi người còn lại nâng TV hoặc Màn hình LCD lên.



- Thực hiện lại bước trước và tháo một bên của Bộ đế bàn.

Lưu ý

- Cần ba người trở lên để tháo Bộ đế bàn.
- Cần thận không dùng lực quá mạnh khi tháo Bộ đế bàn khỏi TV hoặc Màn hình LCD vì có thể khiến TV hoặc Màn hình LCD bị rơi, gây thương tích hoặc hư hỏng đối với TV hoặc Màn hình LCD.
- Cần thận khi thao tác với Bộ đế bàn để tránh làm hư hỏng TV hoặc Màn hình LCD.
- Cần thận khi nâng TV hoặc Màn hình LCD vì trong quá trình tháo, Bộ đế bàn có thể bị lật và gây thương tích.
- Cần thận khi tháo Bộ đế bàn khỏi TV hoặc Màn hình LCD để không bị rơi và gây hư hỏng bề mặt đặt TV hoặc Màn hình LCD.

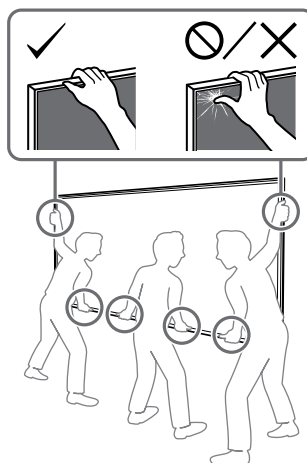
Lắp đặt TV hoặc Màn hình LCD lên tường

Chỉ với mẫu KD-85X8xL / 85X8xBL / 75X8xL / 75X8xBL, KM-85X8xL / 75X8xL, XR-85X9xL / 75X9xL, XRM-85X9xL / 75X9xL

CẢNH BÁO

- Để di chuyển TV hoặc Màn hình LCD có kích thước lớn cần có ít nhất hai người (ít nhất ba người đối với TV hoặc Màn hình LCD từ 189,3 cm (75 inch) trở lên) (ngoại trừ Ai Cập).

Để di chuyển TV hoặc Màn hình LCD có kích thước lớn cần có ít nhất hai người (ít nhất ba người đối với TV hoặc Màn hình LCD từ 75 inch (189,3 cm) trở lên) (chỉ áp dụng với Ai Cập).



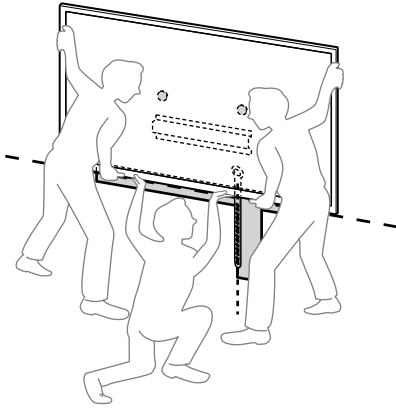
1 Nâng TV hoặc Màn hình LCD lên.

- Để biết vị trí của Puli (B) để treo trên Chân đế (20) (A) hoặc Khớp nối chân đế (1), hãy tham khảo “Vị trí lắp Khớp nối chân đế (1)” ở trang 19.
- Đảm bảo rằng phía sau TV hoặc Màn hình LCD chạm vào Chân đế (20) (A) hoặc Khớp nối chân đế (1) khi giữ TV hoặc Màn hình LCD.

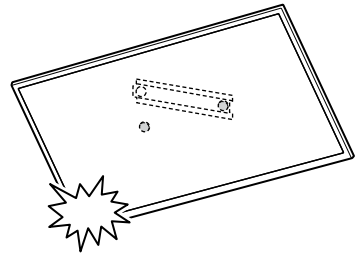
Lưu ý

- Giữ chắc TV hoặc Màn hình LCD bằng cả hai tay và đảm bảo rằng Đai truyền (E) và phía dưới TV hoặc Màn hình LCD thẳng hàng với băng bảo vệ bề mặt.

- Di chuyển TV hoặc Màn hình LCD với ba người và người ở phía trước TV hoặc Màn hình LCD hướng dẫn người còn lại điều chỉnh vị trí.

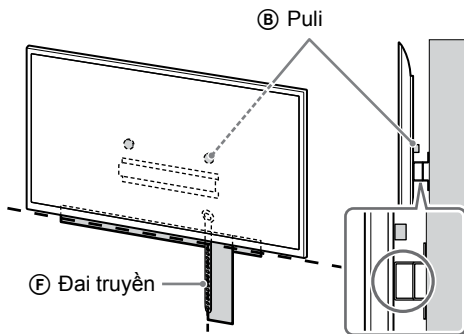


- Buông cả hai tay một cách chậm rãi để đảm bảo TV hoặc Màn hình LCD không rơi.



- Sau khi lắp TV hoặc Màn hình LCD lên tường, hãy lột băng bảo vệ bề mặt, v.v. khỏi tường.

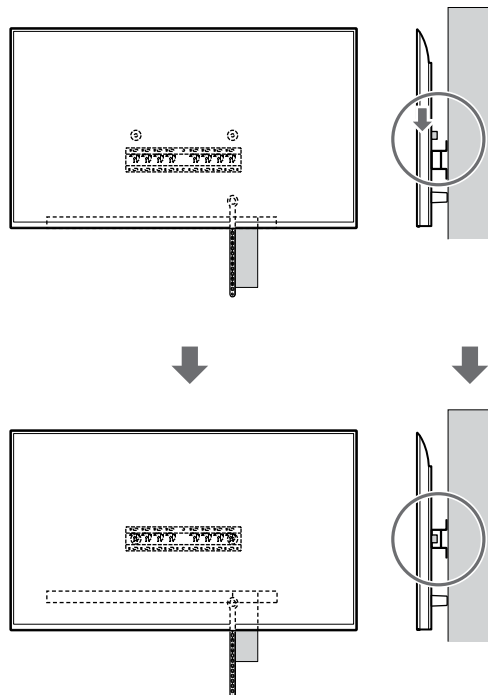
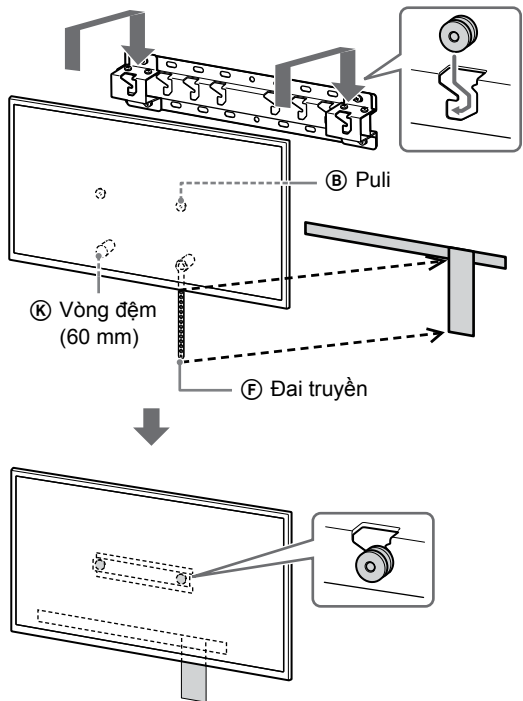
- Thật cẩn thận khi lắp đặt TV hoặc Màn hình LCD lên tường, đặc biệt đối với người đỡ TV hoặc Màn hình LCD từ bên dưới, TV hoặc Màn hình LCD có thể bị rơi, gây thương tích cơ thể nghiêm trọng hoặc thậm chí tử vong.



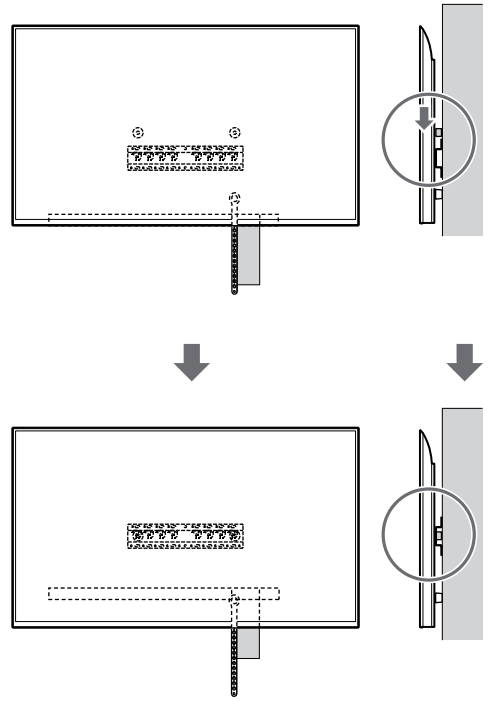
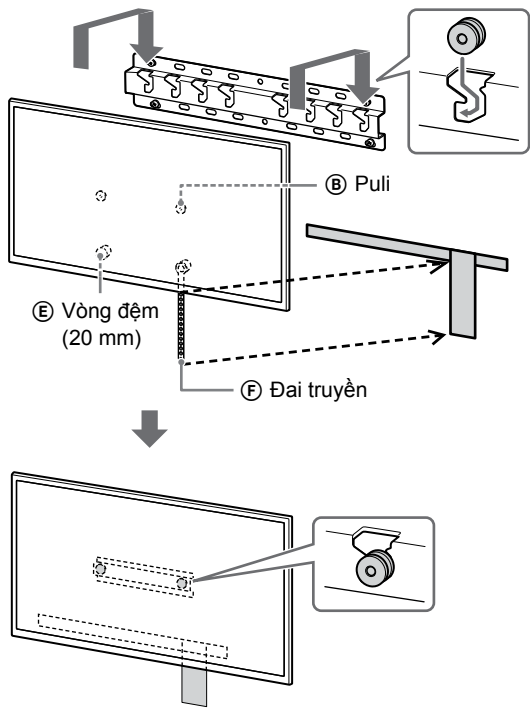
2 Lắp đặt TV hoặc Màn hình LCD lên Chân đế (20) (A) hoặc Khớp nối chân đế (1).

- Trượt nhẹ TV hoặc Màn hình LCD xuống và treo các Puli (B) được gắn ở phía sau TV hoặc Màn hình LCD vào Chân đế (20) (A) hoặc Khớp nối chân đế (1), đảm bảo xác nhận hình dạng của các lỗ.
- Sau khi lắp TV hoặc Màn hình LCD lên tường, hãy xác nhận các Puli (B) được gài chắc chắn vào Chân đế (20) (A) hoặc Khớp nối chân đế (1).

Nếu chọn gắn tường chuẩn (2-a):

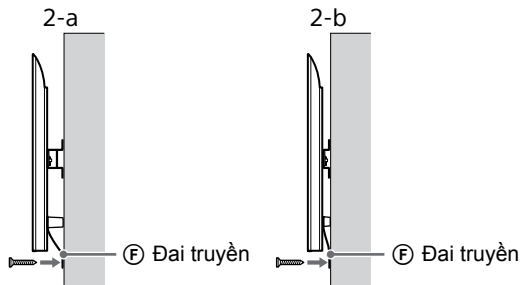


Nếu chọn gắn tường nhỏ gọn (2-b):



3 Không để đáy của TV hoặc Màn hình LCD trượt.

- Kéo căng đoạn chùng của Đai truyền ⑥ và gắn chặt đai vào tường.



- Sử dụng vít có đường kính 5 mm hoặc tương đương (không được cung cấp).

Lưu ý

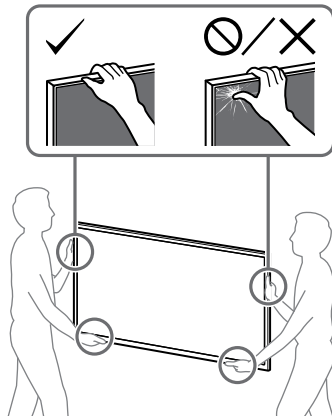
- Cố gắng kéo phần dưới cùng của TV hoặc Màn hình LCD về phía bạn một chút để đảm bảo rằng nó không di chuyển về phía trước. Nếu có bất kỳ chuyển động nào thì thiết bị chưa được cố định chính xác và Đai truyền ⑥ sẽ phải được bắt chặt lại.

Ngoại trừ mẫu KD-85X8xL / 85X8xBL / 75X8xL / 75X8xBL, KM-85X8xL / 75X8xL, XR-85X9xL / 75X9xL, XRM-85X9xL / 75X9xL

CẢNH BÁO

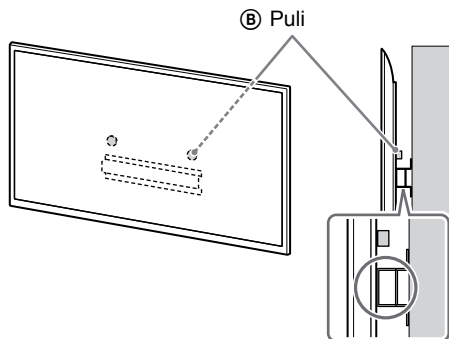
- Để di chuyển TV hoặc Màn hình LCD có kích thước lớn cần có ít nhất hai người (ít nhất ba người đối với TV hoặc Màn hình LCD từ 189,3 cm (75 inch) trở lên) (ngoại trừ Ai Cập).

Để di chuyển TV hoặc Màn hình LCD có kích thước lớn cần có ít nhất hai người (ít nhất ba người đối với TV hoặc Màn hình LCD từ 75 inch (189,3 cm) trở lên) (chỉ áp dụng với Ai Cập).



1 Nâng TV hoặc Màn hình LCD lên.

- Để biết vị trí của Puli ② để treo trên Chân đế (20) ① hoặc Khớp nối chân đế ①, hãy tham khảo “Vị trí lắp Khớp nối chân đế ①” ở trang 19.
- Đảm bảo rằng phía sau TV hoặc Màn hình LCD chạm vào Chân đế (20) ① hoặc Khớp nối chân đế ① khi giữ TV hoặc Màn hình LCD.

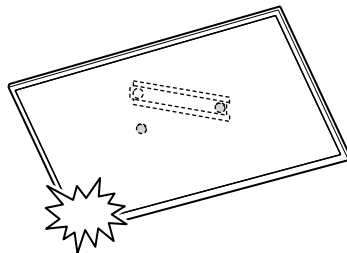


Lưu ý

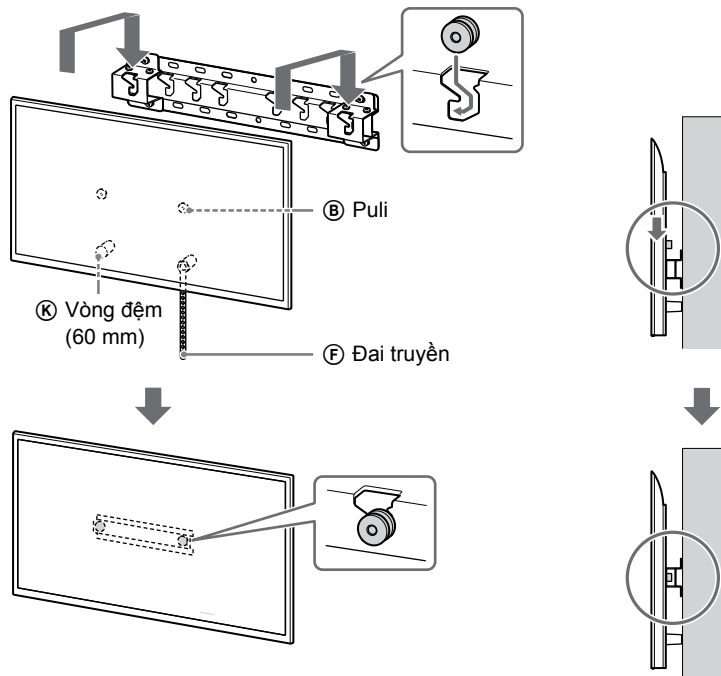
- Giữ TV hoặc Màn hình LCD chắc chắn bằng cả hai tay.

2 Lắp đặt TV hoặc Màn hình LCD lên Chân đế (20) ① hoặc Khớp nối chân đế ①.

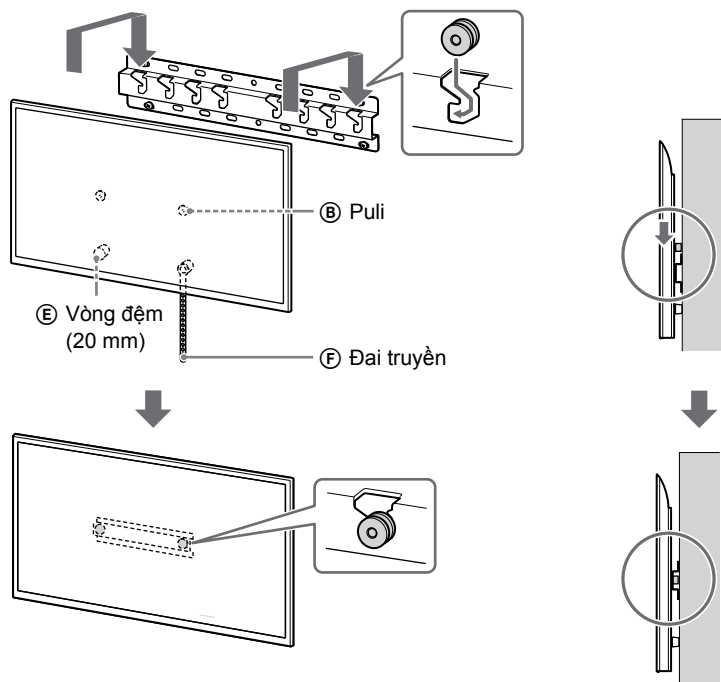
- Trượt nhẹ TV hoặc Màn hình LCD xuống và treo các Puli ② được gắn ở phía sau TV hoặc Màn hình LCD vào Chân đế (20) ① hoặc Khớp nối chân đế ①, đảm bảo xác nhận hình dạng của các lỗ.
- Sau khi lắp TV hoặc Màn hình LCD lên tường, hãy xác nhận các Puli ② được gài chắc chắn vào Chân đế (20) ① hoặc Khớp nối chân đế ①.
- Buông cả hai tay một cách chậm rãi để đảm bảo TV hoặc Màn hình LCD không rơi.



Nếu chọn gắn tường chuẩn (2-a):

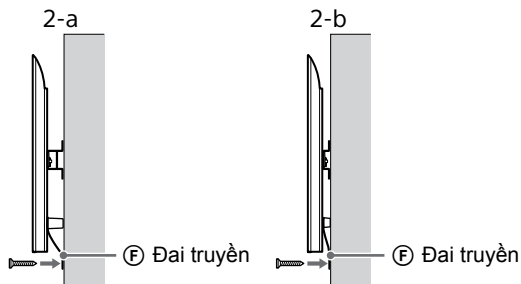


Nếu chọn gắn tường nhỏ gọn (2-b):



3 Không để đáy của TV hoặc Màn hình LCD trượt.

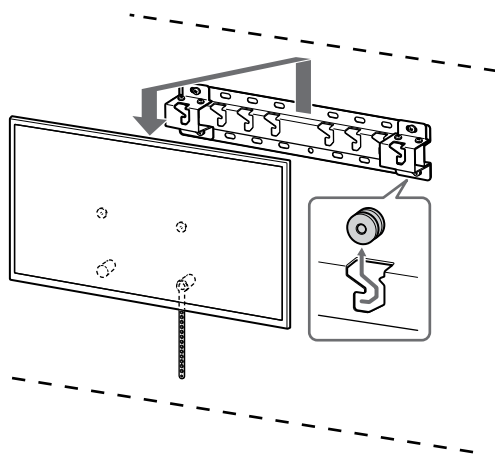
- Kéo căng đoạn chùng của Đai truyền ⑥ và gắn chặt đai vào tường.



- Sử dụng vít có đường kính 5 mm hoặc tương đương (không được cung cấp).

Lưu ý

- Cổ gá gắn kéo phần dưới cùng của TV hoặc Màn hình LCD về phía bạn một chút để đảm bảo rằng nó không di chuyển về phía trước. Nếu có bất kỳ chuyển động nào thì thiết bị chưa được cố định chính xác và Đai truyền ⑥ sẽ phải được bắt chặt lại.



CẢNH BÁO

- Để di chuyển TV hoặc Màn hình LCD có kích thước lớn cần có ít nhất hai người (ít nhất ba người đối với TV hoặc Màn hình LCD từ 189,3 cm (75 inch) trở lên) (ngoại trừ Ai Cập).
Để di chuyển TV hoặc Màn hình LCD có kích thước lớn cần có ít nhất hai người (ít nhất ba người đối với TV hoặc Màn hình LCD từ 75 inch (189,3 cm) trở lên) (chỉ áp dụng với Ai Cập).

Xác nhận hoàn thành việc lắp đặt

Kiểm tra các điểm sau.

- Các Pulley ② được treo chắc chắn lên Chân đế (20) ① hoặc Khớp nối chân đế ①.
- Dây và cáp không bị vặn xoắn hoặc bó kẹt.
- Đai truyền ⑥ chặt chứ không bị chùng.

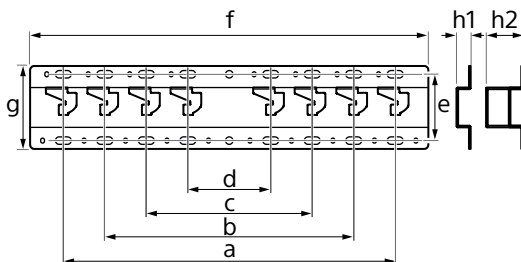
CẢNH BÁO

- Việc đặt dây nguồn, v.v. không phù hợp có thể gây cháy hoặc điện giật do chập điện. Đảm bảo xác nhận hoàn thành việc lắp đặt một cách an toàn.

Thông tin khác

Khi tháo TV hoặc Màn hình LCD, hãy đảo ngược quy trình lắp đặt trước đó.

Thông số kỹ thuật



Kích thước: (Xấp xỉ) [mm]

- a : 400
- b : 300
- c : 200
- d : 100
- e : 80
- f : 480
- g : 100

- h1 : 20 (dành cho gắn tường nhỏ gọn, 2-b)
- h2 : 60 (dành cho gắn tường chuẩn, 2-a)

Trọng lượng (chỉ chân đế): (Xấp xỉ) [kg]

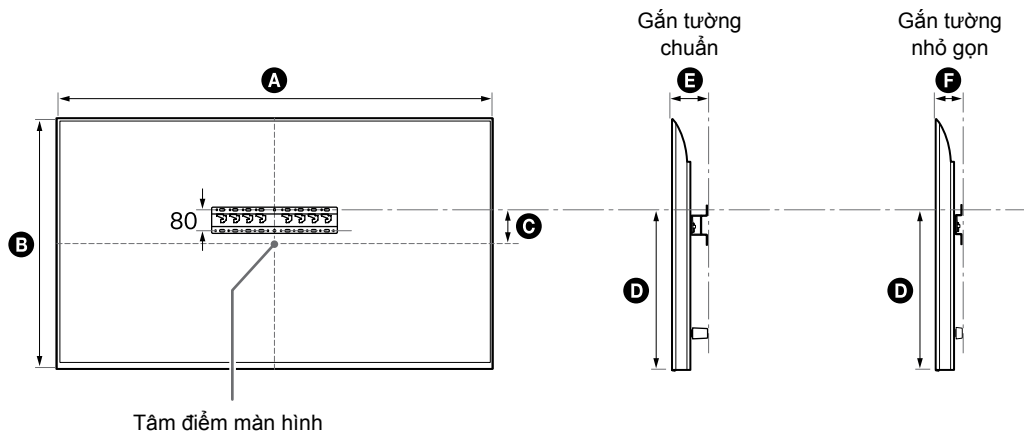
0,8

Thiết kế và thông số kỹ thuật có thể thay đổi mà không cần thông báo.

Tài liệu tham khảo

Đo để lắp đặt Giá đỡ Treo tường trên tường

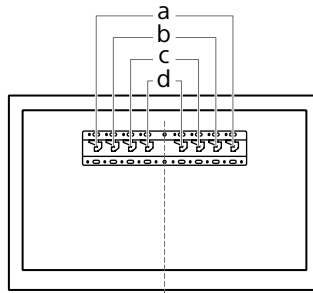
Các con số trong bảng có thể hơi khác tùy vào quá trình lắp đặt.



(mm)

Tên sản phẩm	A	B	C	D	E	F
KD-85X81BL / 85X80L KM-85X80L	1.901	1.090	43	592	138	96
XR-85X90L XRM-85X90L	1.891	1.085	58	607	125	83
KD-75X85L KM-75X85L	1.671	960	21	508	123	81
KD-75X81BL / 75X80L KM-75X80L	1.675	962	12	493	137	95
XR-75X90L XRM-75X90L	1.668	959	21	508	123	81
KD-65X85L / 65X85BL KM-65X85L	1.447	832	85	505	123	81
KD-65X81BL / 65X80L KM-65X80L	1.452	836	76	494	135	93
XR-65X90L XRM-65X90L	1.445	831	85	505	123	81
KD-55X85L KM-55X85L	1.228	709	146	505	122	81
KD-55X81BL / 55X80L KM-55X80L	1.233	713	133	494	135	93
XR-55X90L XRM-55X90L	1.225	707	146	505	122	81
KD-50X80L KM-50X80L	1.119	649	63	392	133	91
KD-43X80L KM-43X80L	964	563	111	392	133	91

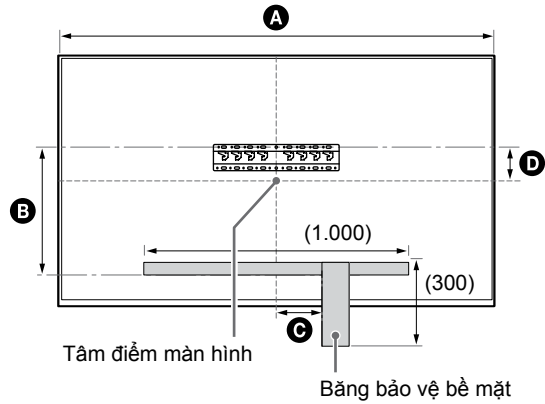
Vị trí lắp Khớp nối chân đế ①



Tên sản phẩm	Vị trí móc
KD-85X81BL / 85X80L KM-85X80L XR-85X90L XRM-85X90L	a
KD-75X85L / 75X81BL / 75X80L KM-75X85L / 75X80L XR-75X90L XRM-75X90L	b
KD-65X85L / 65X85BL / 65X81BL / 65X80L KM-65X85L / 65X80L XR-65X90L XRM-65X90L	b

Tên sản phẩm	Vị trí móc
KD-55X85L / 55X81BL / 55X80L KM-55X85L / 55X80L XR-55X90L XRM-55X90L	b
KD-50X80L KM-50X80L	c
KD-43X80L KM-43X80L	c

Đánh dấu tường cho vị trí lắp đặt TV hoặc Màn hình LCD



(mm)

Tên sản phẩm	A	B	C	D
KD-85X81BL / 85X80L KM-85X80L	1.901	472	200	43
XR-85X90L XRM-85X90L	1.891	486	200	58
KD-75X85L KM-75X85L	1.671	388	150	21
KD-75X81BL / 75X80L KM-75X80L	1.675	373	150	12
XR-75X90L XRM-75X90L	1.668	388	150	21

ข้อมูลการติดตั้งเมื่อใช้อุปกรณ์ยึดติดผนังของ Sony (SU-WL450)

รุ่นที่รองรับ*

* เมื่อดูรุ่นตามจริง "x"/"xx" จะแสดงหมายเลขและ/หรืออักขระเฉพาะของแต่ละรุ่น

KD-85X8xL / 85X8xBL / 75X8xL / 75X8xBL / 65X8xL / 65X8xBL / 55X8xL / 55X8xBL / 50X8xL / 43X8xL

KM-85X8xL / 75X8xL / 65X8xL / 55X8xL / 50X8xL / 43X8xL

XR-85X9xL / 75X9xL / 65X9xL / 55X9xL

XRM-85X9xL / 75X9xL / 65X9xL / 55X9xL

สำหรับลูกค้า

เพื่อเหตุผลทางการป้องกันผลิตภัณฑ์และความปลอดภัย Sony แนะนำให้ดำเนินการติดตั้งทีวีหรือจอ LCD ของท่านโดยตัวแทนจำหน่ายของ Sony หรือผู้รับเหมาที่ได้รับการอนุญาต อย่าพยายามติดตั้งด้วยตัวท่านเอง

สำหรับตัวแทนจำหน่าย Sony และผู้รับติดตั้ง

ใส่ใจระมัดระวังเรื่องความปลอดภัยเป็นพิเศษระหว่างทำการติดตั้งดูแลรักษาและตรวจสอบผลิตภัณฑ์นี้ตามระยะเวลา

การติดตั้งผลิตภัณฑ์นี้จำเป็นต้องมีความเชี่ยวชาญที่เพียงพอ โดยเฉพาะกับการพิจารณาความแข็งแรงของผนังที่จะรองรับน้ำหนักของทีวีหรือจอ LCD ควรให้ตัวแทนจำหน่ายหรือผู้ติดตั้งที่ได้รับอนุญาตจาก Sony ให้เป็นผู้ติดตั้งผลิตภัณฑ์นี้เข้ากับผนัง และใส่ใจในความปลอดภัยระหว่างการติดตั้งอย่างเพียงพอ Sony จะไม่รับผิดชอบต่อความเสียหายหรือการบาดเจ็บที่เกิดขึ้นจากการทำงานผิดพลาดหรือการติดตั้งที่ไม่เหมาะสม

ปฏิบัติตามคู่มือของอุปกรณ์ยึดติดผนัง คู่มือการตั้งค่าของทีวีหรือจอ LCD และคำแนะนำในคู่มือนี้เพื่อให้เกิดความปลอดภัยและติดตั้งได้ถูกต้อง

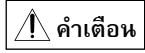
อุปกรณ์ยึดติดผนัง

ว่าด้วยความปลอดภัย

ขอบคุณที่อุทธรณ์ผลิตภัณฑ์ของเรา

สำหรับลูกค้า

การติดตั้งทีวีหรือจอ LCD บนผนัง



คำเตือน

การติดตั้งต้องดำเนินการโดยช่างผู้ชำนาญเท่านั้น

ผลิตภัณฑ์นี้ควรได้รับการติดตั้งโดยช่างติดตั้งมืออาชีพที่ผ่านการฝึกอบรมการกำหนดความแข็งแรงของผนังว่าจะสามารถรับน้ำหนักของทีวีหรือจอ LCD ได้ ท้ายยึดไว้อย่างไม่เหมาะสมระหว่างการติดตั้ง ทีวีหรือจอ LCD อาจหล่นลงและทำให้เกิดการบาดเจ็บสาหัสได้ Sony ไม่รับผิดชอบต่อความเสียหายหรือการบาดเจ็บใดๆ ที่มีสาเหตุจากการใช้งานไม่ถูกต้อง การติดตั้งไม่ถูกต้อง หรือการติดตั้งกับผลิตภัณฑ์อื่น ๆ นอกเหนือจากที่ระบุไว้ โดยไม่กระทบต่อสิทธิทางกฎหมายใดๆ (ถ้ามี)

สำหรับตัวแทนจำหน่าย Sony

การติดตั้งผลิตภัณฑ์ต้องอาศัยความชำนาญเป็นพิเศษ โปรดศึกษาคู่มือการใช้งานฉบับนี้อย่างละเอียดเพื่อการติดตั้งผลิตภัณฑ์ได้อย่างปลอดภัย Sony ไม่รับผิดชอบต่อความเสียหายหรือการบาดเจ็บใดๆ อันเกิดจากการใช้งานหรือการติดตั้งที่ไม่ถูกต้อง โปรดมอบหนังสือคู่มือวิธีใช้ให้แก่ลูกค้าภายหลังการติดตั้ง

คู่มือการใช้งานฉบับนี้แสดงวิธีการใช้งานผลิตภัณฑ์อย่างถูกต้องรวมทั้งข้อปฏิบัติที่สำคัญที่จำเป็นเพื่อป้องกันไม่ให้เกิดอุบัติเหตุ ท่านควรอ่านและทำความเข้าใจคู่มืออย่างถี่ถ้วน พร้อมทั้งปฏิบัติตามคำแนะนำทุกข้อในคู่มือการใช้งานเล่มนี้ การละเลยไม่ปฏิบัติตามอาจส่งผลให้เกิดการบาดเจ็บสาหัสหรือทรัพย์สินเสียหาย และอาจทำให้การรับประกันเป็นโมฆะได้ พร้อมทั้งเก็บหนังสือคู่มือฉบับนี้ไว้ใช้อ้างอิงในอนาคต

ผลิตภัณฑ์ของ Sony ได้รับการออกแบบโดยคำนึงถึงความปลอดภัย อย่างไรก็ตามในกรณีที่ใช้งานผลิตภัณฑ์อย่างไม่ถูกต้อง อาจทำให้เกิดการบาดเจ็บสาหัสจากไฟไหม้ ไฟดูด ผลิตภัณฑ์ล้มใส่ หรือผลิตภัณฑ์ตกกระทบพื้น โปรดศึกษาข้อปฏิบัติเพื่อความปลอดภัยเพื่อป้องกันอุบัติเหตุตามที่ระบุข้างต้น

ข้อควรระวัง

ผลิตภัณฑ์ที่กำหนด

อุปกรณ์ยึดติดผนังได้รับการออกแบบมาเพื่อใช้งานกับผลิตภัณฑ์ทีวีหรือจอ LCD ที่ระบุไว้สำหรับทีวีหรือจอ LCD โปรดดูคู่มืออ้างอิงเพื่อให้แน่ใจว่าสามารถใช้อุปกรณ์ยึดติดผนังได้

สำหรับลูกค้า

คำเตือน

หากไม่ปฏิบัติตามข้อควรระวังต่อไปนี้อาจทำให้เกิดการบาดเจ็บสาหัสหรือเสียชีวิตจากเพลิงไหม้ ไฟฟ้าช็อต หรืออุปกรณ์ตกหล่นได้

โปรดแน่ใจว่าได้ติดต่อตัวแทนที่ได้รับการรับรอง เพื่อทำการติดตั้งและระมัดระวังอย่าให้เด็กเล็ก ๆ อยู่ใกล้ขณะติดตั้ง

หากท่านติดตั้งอุปกรณ์ยึดติดผนังหรือทีวีหรือจอ LCD ไม่ถูกต้อง อุบัติเหตุต่อไปนี้อาจเกิดขึ้นได้ และต้องแน่ใจว่าได้ให้ตัวแทนที่ได้รับการรับรองท่านนั้นเป็นผู้ทำการติดตั้ง

- ทีวีหรือจอ LCD อาจตกลงและทำให้ได้รับบาดเจ็บสาหัส เช่น รอยฟกช้ำหรือกระดูกหักได้
- หากผนังที่จะทำการติดตั้งอุปกรณ์ยึดติดผนังไม่มั่นคงไม่เรียบหรือไม่อยู่ในแนวตั้งฉากกับพื้น อาจทำให้เครื่องหล่นลงและเกิดการบาดเจ็บหรือทรัพย์สินเสียหายได้ ผนังต้องสามารถรองรับน้ำหนักได้ไม่น้อยกว่า 4 เท่าของน้ำหนักทีวีหรือจอ LCD (ดูน้ำหนักได้จากคู่มืออ้างอิงของทีวีหรือจอ LCD)
- หากติดตั้งอุปกรณ์ยึดติดผนังลงบนผนังอย่างไม่มั่นคง อาจทำให้เครื่องหล่นลงและเกิดการบาดเจ็บหรือทรัพย์สินเสียหายได้

โปรดแน่ใจว่าได้ติดต่อตัวแทนที่ได้รับการรับรองเพื่อทำการเคลื่อนย้ายหรือถอดทีวีหรือจอ LCD

หากบุคคลอื่นที่ไม่ใช่ตัวแทนที่ได้รับการรับรองเป็นผู้ทำการเคลื่อนย้ายหรือถอดทีวีหรือจอ LCD อาจทำให้เครื่องหล่นลงและเกิดการบาดเจ็บหรือทรัพย์สินเสียหายได้ ต้องใช้คนจำนวนสองคนขึ้นไป (สามคนขึ้นไปสำหรับทีวีหรือจอ LCD รุ่น 189.3 ซม. (75 นิ้ว) ขึ้นไป) สำหรับการเคลื่อนย้ายชุดทีวีหรือจอ LCD ขนาดใหญ่ (ยกเว้นอียิปต์)

ต้องใช้คนจำนวนสองคนขึ้นไป (สามคนขึ้นไปสำหรับทีวีหรือจอ LCD รุ่น 75 นิ้ว (189.3 ซม.) ขึ้นไป) สำหรับการเคลื่อนย้ายชุดทีวีหรือจอ LCD ขนาดใหญ่ (อียิปต์เท่านั้น)

อย่าถอดสกรูหรือชิ้นส่วนอื่น ๆ หลังจากติดตั้งเข้ากับทีวีหรือจอ LCD แล้ว

การกระทำเช่นนั้นอาจทำให้ทีวีหรือจอ LCD หล่นและทำให้เกิดการบาดเจ็บหรือทรัพย์สินเสียหายได้

อย่าดัดแปลงชิ้นส่วนต่าง ๆ ของอุปกรณ์ยึดติดผนัง

การกระทำเช่นนั้นอาจทำให้อุปกรณ์ยึดติดผนังหล่นและทำให้เกิดการบาดเจ็บหรือทรัพย์สินเสียหายได้

ห้ามติดตั้งอุปกรณ์อื่นนอกเหนือจากผลิตภัณฑ์ที่ระบุไว้

อุปกรณ์ยึดติดผนังถูกออกแบบมาเพื่อใช้กับผลิตภัณฑ์ที่ระบุไว้เท่านั้น หากท่านติดตั้งอุปกรณ์อื่นนอกเหนือจากที่ระบุไว้ อุปกรณ์นั้นอาจหล่นลงหรือแตกชำรุด ทำให้เกิดการบาดเจ็บหรือทรัพย์สินเสียหายได้

อย่าเพิ่มน้ำหนักอื่น ๆ นอกเหนือจากทีวีหรือจอ LCD ลงบนอุปกรณ์ยึดติดผนัง

ห้ามเขย่าทีวีหรือจอ LCD ไปทางซ้าย/ขวา, เขย่าขึ้น/ลง

การกระทำเช่นนั้นอาจทำให้ทีวีหรือจอ LCD หล่นและทำให้เกิดการบาดเจ็บหรือทรัพย์สินเสียหายได้

อย่าดึงหรือโหนทีวีหรือจอ LCD

อย่าดึงหรือโหนทีวีหรือจอ LCD เพราะอาจทำให้หล่นใส่ตัวท่านและเกิดการบาดเจ็บรุนแรงได้

ข้อควรระวัง

หากไม่ปฏิบัติตามข้อควรระวังต่อไปนี้อาจทำให้เกิดการบาดเจ็บหรือทรัพย์สินเสียหายได้

- โปรดเก็บชิ้นส่วนที่ไม่ได้ใช้ไว้ในที่ปลอดภัยเพื่อใช้ในอนาคตก่อนให้พื้นเมื่อเด็ก

อย่าใช้แรงกดลงบนผลิตภัณฑ์มากเกินไป ขณะทำความสะอาดหรือดูแลรักษาผลิตภัณฑ์

อย่าใช้แรงกดลงที่ด้านบนของทีวีหรือจอ LCD มากเกินไป การกระทำเช่นนั้นอาจทำให้ทีวีหรือจอ LCD หล่นและทำให้เกิดการบาดเจ็บหรือทรัพย์สินเสียหายได้

ข้อควรระวัง

- หากท่านใช้ทีวีหรือจอ LCD ที่ติดตั้งอยู่กับอุปกรณ์ยึดติดผนังต่อเนื่องกันเป็นเวลานาน ส่วนผนังด้านหลังหรือด้านบนของทีวีหรือจอ LCD อาจมีสีเปลี่ยนไปหรือลอกเปeling บริเวณดังกล่าวอาจหลุดออก ขึ้นอยู่กับวัสดุของผนังในบริเวณ ดังกล่าว
- หากท่านถอดอุปกรณ์ยึดติดผนังออกหลังจากที่ได้ทำการติดตั้งไปแล้วบนผนัง จะปรากฏร่องของสกรูหรืออยู่บนผนัง
- อย่าใช้งานอุปกรณ์ยึดติดผนังในบริเวณที่ได้รับแรงสั่นสะเทือน

วิธีติดตั้งอุปกรณ์ยึดติดผนัง

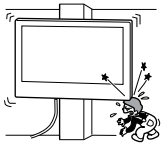
สำหรับตัวแทนจำหน่าย Sony

คำเตือน

ต่อไปนี้เป็นคำแนะนำสำหรับตัวแทนจำหน่าย Sony เท่านั้น โปรดทำความเข้าใจกับข้อปฏิบัติด้านความปลอดภัยข้างต้นและคำนึงถึงเรื่องความปลอดภัยเป็นพิเศษระหว่างการติดตั้งบำรุงรักษาและตรวจสอบผลิตภัณฑ์

อย่าติดตั้งอุปกรณ์ยึดติดผนังบนบริเวณผนังที่ทำให้ส่วนมุมหรือด้านข้างของทีวีหรือจอ LCD ยื่นออกมาจากส่วนระนาบของผนัง

อย่าติดตั้งอุปกรณ์ยึดติดผนังบนบริเวณผนัง อย่างเช่นเสา ซึ่งส่วนมุมหรือด้านข้างของทีวีหรือจอ LCD จะยื่นออกมาจากส่วนระนาบของผนัง เพราะหากมีบุคคลหรือวัตถุใดชนเข้ากับ ส่วนมุมหรือด้านข้างของทีวีหรือจอ LCD ที่ยื่นออกมาดังกล่าว อาจทำให้เกิดการบาดเจ็บหรือทรัพย์สินเสียหายได้

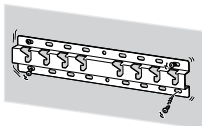


อย่าติดตั้งทีวีหรือจอ LCD ไว้เหนือหรือใต้ เครื่องปรับอากาศ

หากทีวีหรือจอ LCD โดดงหรือยื่นออกมาหรือโดนกระแสอากาศจากเครื่องปรับอากาศต่อเนื่องเป็นเวลานาน อาจทำให้เกิด ไฟไหม้ ไฟฟ้าลัดวงจร หรือทำให้ทีวีหรือจอ LCD เสียหายได้

โปรดตรวจสอบให้แน่ใจว่าได้ติดตั้งอุปกรณ์ยึดติดผนังเข้ากับผนังให้แน่นตามคำแนะนำในคู่มือการใช้งานฉบับนี้

หากมีสกรูตำแหน่งใดหลวมหรือหลุดออกอุปกรณ์ยึดติดผนังอาจหล่นลง ทำให้เกิดการบาดเจ็บหรือทรัพย์สินเสียหายได้ โปรดแน่ใจว่าได้ใช้สกรูที่เหมาะสมกับชนิดของวัสดุของผนังและติดตั้งอุปกรณ์ให้แน่น โดยใช้สกรูที่มีขนาดเส้นผ่าศูนย์กลาง 8 มม. (หรือ เทียบเท่า) จำนวนไม่น้อยกว่าสี่ตัว



โปรดตรวจสอบให้แน่ใจว่าได้ใช้สกรูที่เหมาะสมและทำการติดตั้งชิ้นส่วนต่างๆ อย่างถูกต้องตามคำแนะนำที่ระบุไว้ในคู่มือการใช้งานฉบับนี้ หากท่านใช้อุปกรณ์อื่นทดแทน ทีวีหรือจอ LCD อาจ หล่นและทำให้เกิดการบาดเจ็บแก่ร่างกายหรือทีวีหรือจอ LCD เสียหายได้

โปรดตรวจสอบให้แน่ใจว่าได้ประกอบอุปกรณ์ยึดติดผนังอย่างถูกต้องตามลำดับขั้นตอนที่อธิบายไว้ในคู่มือการใช้งานฉบับนี้

หากมีสกรูตำแหน่งใดหลวมหรือหลุดออก ทีวีหรือจอ LCD อาจหล่นลง และทำให้เกิดการบาดเจ็บแก่ร่างกายหรือทีวีหรือจอ LCD เสียหายได้

โปรดแน่ใจว่าได้ขันสกรูให้แน่นในตำแหน่งที่กำหนด

หากไม่ได้ดำเนินการข้างต้น อาจเป็นเหตุให้ทีวีหรือจอ LCD หล่นและทำให้เกิดการบาดเจ็บแก่ร่างกายหรือทีวีหรือจอ LCD เสียหายได้

ระมัดระวังอย่าให้ทีวีหรือจอ LCD โดนกระแทกระหว่างการติดตั้ง

หากทีวีหรือจอ LCD โดนกระแทก หน้าจออาจหล่นหรือแตกเสียหาย และอาจทำให้เกิดการบาดเจ็บอีกด้วย

โปรดแน่ใจว่าได้ติดตั้งทีวีหรือจอ LCD บนผนังที่เรียบและได้ฉากกับพื้น

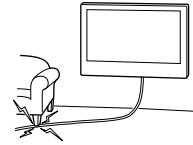
หากไม่ได้ดำเนินการข้างต้น อาจเป็นสาเหตุให้ทีวีหรือจอ LCD หล่นและทำให้เกิดการบาดเจ็บ

หลังจากติดตั้งทีวีหรือจอ LCD อย่างถูกต้องแล้ว ให้เก็บสายเคเบิลให้ถูกต้อง

หากบุคคลหรือวัตถุใดๆ สะดุดโดนสายเคเบิล อาจทำให้เกิดการบาดเจ็บหรือเกิดความเสียหายกับทีวีหรือจอ LCD ได้

อย่าให้สายไฟ AC หรือสายเคเบิลสำหรับการเชื่อมต่อถูกหนีบ

หากสายไฟ AC หรือสายเคเบิลสำหรับการเชื่อมต่อถูกหนีบอยู่ระหว่างเครื่องกับผนัง หรือสายพันหรือบิดอย่างรุนแรง ฉนวนภายในสายอาจหลุดออกมาและเกิดไฟฟ้าลัดวงจรหรือไฟรั่ว ซึ่งเป็นสาเหตุให้เกิดไฟไหม้หรือไฟดูดได้



สกรูสำหรับยึดอุปกรณ์ยึดติดผนังเข้ากับผนังไม่ได้รวมอยู่ในชุดอุปกรณ์

เลือกใช้สกรูที่เหมาะสมกับวัสดุและโครงสร้างของผนังเมื่อทำการติดตั้งอุปกรณ์ยึดติดผนัง

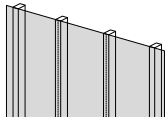
ก่อนเริ่มดำเนินการ

- ภาพประกอบของทีวีหรือจอ LCD ที่แสดงในคู่มือฉบับนี้เป็นเพียงตัวอย่างที่ใช้เพื่อให้คำอธิบายที่ชัดเจนเกี่ยวกับการใช้งานด้วยเหตุนี้ ภาพประกอบอาจแตกต่างจากทีวีหรือจอ LCD จริงของคุณ

ผนังของท่านทำจากอะไร

อันดับแรกให้ตรวจสอบประเภทของผนังที่จะติดตั้งทีวีหรือจอ LCD

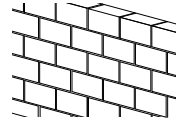
ผนังยิปซั่มที่มีแกนยึด



ข้อควรระวัง

- ความหนาสูงสุดของผนังยิปซั่ม: 16 มม.
- ตรวจสอบให้แน่ใจว่าแกนยึดไม่ตันในมีขนาดอย่างน้อย 51 มม. x 102 มม. สำหรับขนาดทั่วไป หรือ 38 มม. x 89 มม. สำหรับขนาดเดิม

ผนังคอนกรีตหรืออิฐบล็อก



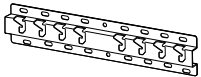






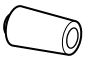

ข้อควรระวัง

- ติดตั้งอุปกรณ์ยึดติดผนังลงบนผนังคอนกรีตโดยตรง
- ตรวจสอบให้แน่ใจว่าผนังคอนกรีตมีความหนาอย่างน้อย 203 มม.
- ตรวจสอบให้แน่ใจว่าอิฐบล็อกแต่ละก้อนมีขนาดอย่างน้อย 203 มม. x 203 มม. x 406 มม.






ตรวจสอบชิ้นส่วน

ชิ้นส่วนประกอบให้มาพร้อมกับ SU-WL450

- ตรวจสอบว่าได้รับชิ้นส่วนครบทั้งหมด

<p>Ⓐ ฐานรอง (20) (x1)</p> 	<p>Ⓑ พูลเลย์ (x2)</p> 	<p>Ⓒ สกรู (+PSW 6 x 20) (x4)</p> 	<p>Ⓔ แผ่นรอง (20 มม.) (x2)</p> 
<p>Ⓕ สายรัด (x1)</p> 	<p>Ⓘ อะแดปเตอร์ฐานรอง (x2)</p> 	<p>Ⓙ สกรู (+PSW 4 x 10) (x8)</p> 	<p>Ⓚ แผ่นรอง (60 มม.) (x2)</p> 
<p>Ⓛ สกรู (+PSW 6 x 50) (x2)</p> 			

- ชิ้นส่วนเหล่านี้อาจจะไม่สามารถใช้กับรุ่นของคุณได้

<p>Ⓓ สกรู (+PSW 4 x 20) พร้อม ปลอก (x2)</p> 	<p>Ⓝ ปลอก (20) (M4) (x2)</p> 	<p>Ⓗ สกรู (+PSW 4 x 20) (x2)</p> 	<p>Ⓜ ปลอก (M4) (x2)</p> 
<p>Ⓝ สกรู (+PSW 4 x 50) (x2)</p> 			



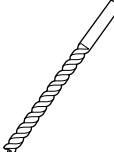
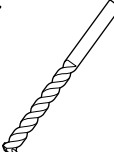
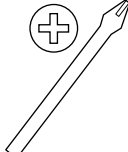
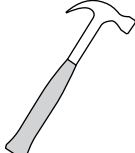
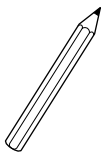
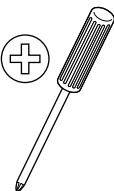
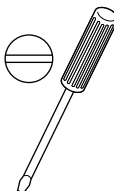





ให้มาพร้อมกับทีวีหรือจอ LCD

<p>ส่วนยึดติดผนัง VS (x4)*</p> 

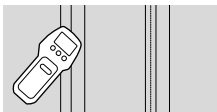
- * สำหรับบางภูมิภาค/ประเทศ/รุ่นเท่านั้น

เตรียมพร้อมสำหรับการติดตั้ง

- ควรเตรียมคู่มืออ้างอิงของทีวีหรือจอ LCD และคู่มือการตั้งค่าให้พร้อมก่อนทำการติดตั้ง
- ตรวจสอบตำแหน่งติดตั้งของทีวีหรือจอ LCD ท่าง
- เตรียมสกรูขนาดเส้นผ่านศูนย์กลาง 8 มม. จำนวนสี่ตัวหรือมากกว่า และสกรูขนาดเส้นผ่านศูนย์กลาง 5 มม. หรือเทียบเท่า เลือกสกรูที่เหมาะสมกับวัสดุของผนัง
- โปรดเตรียมเครื่องมือต่อไปนี้:

*1			 5.5 มม.	 10 มม.	
*2			 1.5 N·m {15 kgf·cm}	*3	 1.5 N·m {15 kgf·cm}
	*2	 (x4)	 (x4) 8 มม. x 60 มม.	 5 มม.	
*4					

*1 สำหรับผนังยิปซัมที่มีแกนยึดเท่านั้น



*2 สำหรับผนังคอนกรีตหรืออิฐบล็อกเท่านั้น

*3 ขึ้นอยู่กับรุ่น

*4 เฉพาะทีวีหรือจอ LCD ที่มีขนาดตั้งแต่ 189.3 ซม. (75 นิ้ว) ขึ้นไป (ยกเว้นอีลิปต์)
เฉพาะทีวีหรือจอ LCD ที่มีขนาดตั้งแต่ 75 นิ้ว (189.3 ซม.) ขึ้นไป (อีลิปต์เท่านั้น)

การติดตั้งอุปกรณ์ยึดติดผนังเข้ากับผนัง

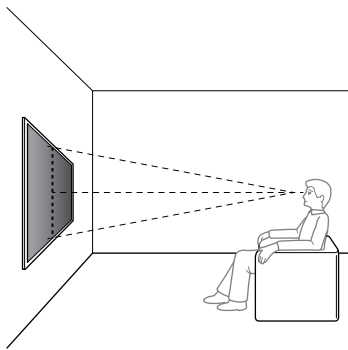
1 เลือกตำแหน่งสำหรับติดตั้ง

ตรวจสอบให้แน่ใจว่าผนังมีพื้นที่เพียงพอสำหรับทีวีหรือจอ LCD และสามารถรองรับน้ำหนักได้อย่างน้อย 4 เท่าของน้ำหนักที่ทีวีหรือจอ LCD

คู่มือของทีวีหรือจอ LCD ได้จากคู่มืออ้างอิงของทีวีหรือจอ LCD

หมายเหตุ

- เมื่อติดตั้งทีวีหรือจอ LCD ของท่านเข้ากับผนัง ตำแหน่งของทีวีหรือจอ LCD จะเอียงมาข้างหน้าเล็กน้อย
- เราขอแนะนำให้ท่านตรวจสอบตำแหน่งของทีวีหรือจอ LCD ในสภาพแวดล้อมที่รับชม



2 เลือกรูปแบบการยึดผนังตั้งที่แสดงไว้ด้านล่าง

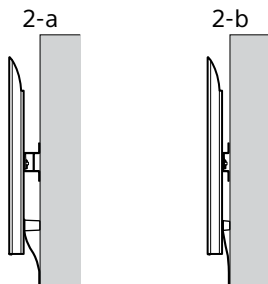
2-a: การติดตั้งแบบมาตรฐาน

2-b: การติดตั้งแบบประหยัดพื้นที่

- โปรดดูที่ "การวัดสำหรับการติดตั้งอุปกรณ์ยึดติดผนังเข้ากับผนัง" ที่หน้า 18

คำเตือน

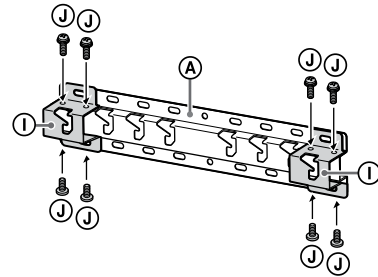
- เมื่อเลือก 2-b การเข้าถึงขั้วต่อด้านจะถูกจำกัด



3 หากเลือกการติดตั้งแบบมาตรฐาน (2-a):

ประกอบอะแดปเตอร์ฐานรอง ① เข้ากับฐานรอง (20) ② โดยใช้สกรู (+PSW 4 × 10) ③

- โปรดดูที่ "ตำแหน่งการประกอบอะแดปเตอร์ฐานรอง ①" ที่หน้า 19



เช่น: การประกอบอะแดปเตอร์ฐานรอง ① เข้าที่ตำแหน่ง "a"

หากเลือกการติดตั้งแบบประหยัดพื้นที่ (2-b):

ให้ข้ามขั้นตอนนี้

4 เลือกตำแหน่งของสกรูเพื่อทำการติดตั้งฐานรอง (20) ②

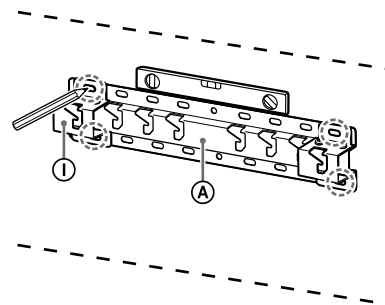
- โปรดดูที่ "ข้อมูลจำเพาะ" ที่หน้า 17

คำเตือน

- ตรวจสอบความแข็งแรงของผนังที่จะใช้ติดตั้งทีวีหรือจอ LCD หากจำเป็นให้เสริมความแข็งแรงของผนังให้เพียงพอ หากจำเป็นให้เสริมความแข็งแรงของผนังให้เพียงพอ
- ผนังที่ใช้ติดตั้งทีวีหรือจอ LCD ต้องสามารถรองรับน้ำหนักได้ไม่น้อยกว่า 4 เท่าของน้ำหนักที่ทีวีหรือจอ LCD (คู่มือหนักได้จากคู่มืออ้างอิงของทีวีหรือจอ LCD)

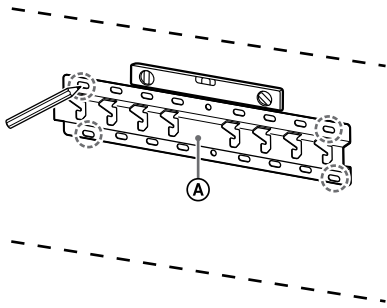
หากเลือกการติดตั้งแบบมาตรฐาน (2-a):

ใช้ตำแหน่งรูของอะแดปเตอร์ฐานรอง ①



เช่น: การทำเครื่องหมายตำแหน่ง "a" เพื่อประกอบฐานรอง (20) ②

หากเลือกการติดตั้งแบบประหยัดพื้นที่ (2-b):

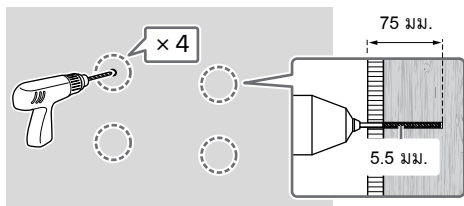


เช่น: การทำเครื่องหมายตำแหน่ง "a" เพื่อประกอบฐานรอง (20) A

5 เจาะรูนำร่องบนเครื่องหมาย

ตรวจสอบให้แน่ใจว่าตำแหน่งบนผนังที่จะเจาะรูนั้นแข็งแรงพอที่จะรองรับน้ำหนักอย่างน้อยสี่เท่าของทีวีหรือจอ LCD

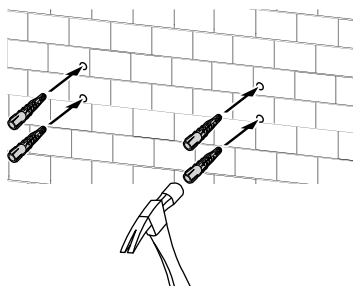
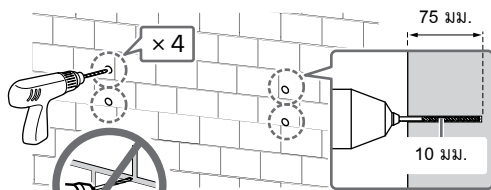
การเจาะผนังยิปซัมที่มีแกนยึด:



หมายเหตุ

- ต้องเจาะรูนำร่องให้มีความลึก 75 มม. โดยใช้ดอกสว่านขนาดเส้นผ่านศูนย์กลาง 5.5 มม.

การเจาะผนังคอนกรีตหรืออิฐบล็อก:



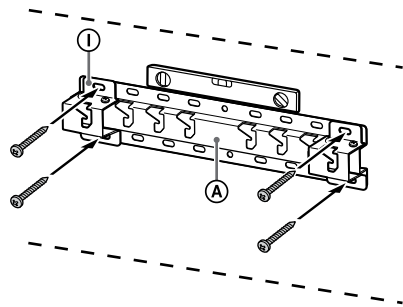
6 ติดตั้งฐานรอง (20) A บนกำแพงโดยใช้สกรูที่เหมาะสม (ไม่ให้มาด้วย)

หมายเหตุ

- ใช้สกรูขนาดเส้นผ่านศูนย์กลาง 8 มม. หรือเทียบเท่า (ไม่มีมาให้) จำนวนไม่น้อยกว่าสี่ตัว
- ใช้ตัววัดระดับเพื่อตรวจสอบดูว่าฐานรอง (20) A ได้ระดับหรือไม่

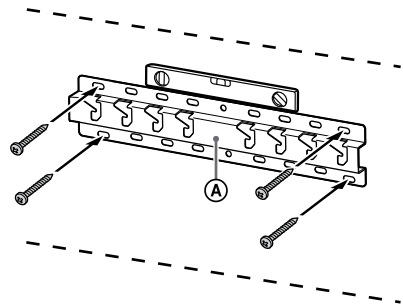
หากเลือกการติดตั้งแบบมาตรฐาน (2-a):

ประกอบสกรูทั้งสี่ตัวในร่องของอะแดปเตอร์ฐานรอง ① พร้อมฐานรอง (20) A



เช่น: การประกอบฐานรอง (20) A เข้าที่ตำแหน่ง "a"

หากเลือกการติดตั้งแบบประหยัดพื้นที่ (2-b):



เช่น: การประกอบฐานรอง (20) A เข้าที่ตำแหน่ง "a"

7 เฉพาะ KD-85X8xL / 85X8xBL / 75X8xL / 75X8xBL, KM-85X8xL / 75X8xL, XR-85X9xL / 75X9xL, XRM-85X9xL / 75X9xL

ทำตำแหน่งติดตั้งบนผนัง

ใช้เทปกระดาษกาวย่นหรือเทปอื่นๆ (ไม่ให้มาด้วย) ทำตำแหน่งที่จะติดตั้งทีวีหรือจอ LCD โดยกำหนดให้ใกล้กับฐานรอง (20) A หรืออะแดปเตอร์ฐานรอง ①

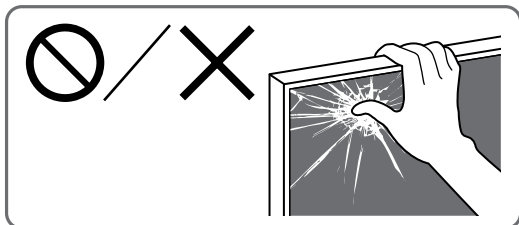
- โปรดดูที่ "การทำเครื่องหมายตำแหน่งสำหรับการติดตั้งทีวีหรือจอ LCD บนผนัง" ที่หน้า 20

ยกเว้น KD-85X8xL / 85X8xBL / 75X8xL /
75X8xBL, KM-85X8xL / 75X8xL,
XR-85X9xL / 75X9xL, XRM-85X9xL /
75X9xL
ให้ข้ามขั้นตอนนี้

เตรียมพร้อมสำหรับการติดตั้งทีวีหรือจอ LCD

หมายเหตุ

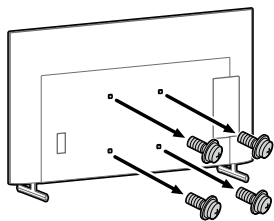
- ควรจับเก็บสกรูที่ถอดออกมาและชิ้นส่วนที่ไม่ได้ใช้ในที่ปลอดภัยโดยจัดเก็บให้ห่างจากเด็ก



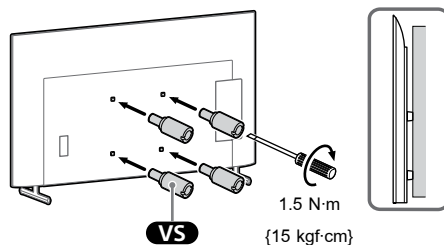
1 ประกอบแป้นรองแบบตั้งโต๊ะเข้ากับทีวีหรือจอ LCD เพื่อให้วางตั้งขึ้น

- ดูได้จากคู่มือการตั้งค่าของทีวีหรือจอ LCD ของคุณ

2 ถอดสกรูจากด้านหลังของทีวีหรือจอ LCD



3 ติดตั้งส่วนยึดติดผนัง VS (ให้มาด้วยกับทีวีหรือจอ LCD) เข้ากับด้านหลังของทีวีหรือจอ LCD (เพื่อให้ขนานกับผนัง)



หมายเหตุ

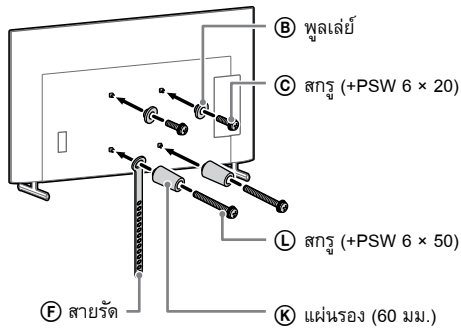
- โปรดแน่ใจว่าได้ขันส่วนยึดติดผนัง VS เข้ากับทีวีหรือจอ LCD ได้แน่นหนาแล้วเมื่อทำการติดตั้ง
ใช้เฉพาะไขควงปากแบนเท่านั้นในการติดตั้งส่วนยึดติดผนัง VS หากใช้เครื่องมืออื่นอาจขันส่วนยึดติดผนัง VS แน่นเกินไปจนทำให้ทีวีหรือจอ LCD เสียหายได้

4 ติดตั้งส่วนยึดติดของอุปกรณ์ยึดติดผนัง ตรวจสอบ สอบชิ้นส่วนยึดติดผนังโดยดูจาก “ชิ้นส่วนประกอบ ให้มาพร้อมกับ SU-WL450” ใน “ตรวจสอบชิ้น ส่วน” ที่หน้า 6

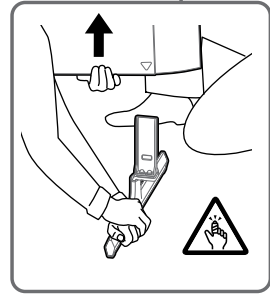
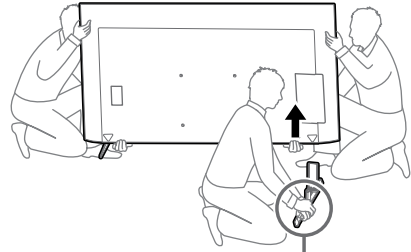
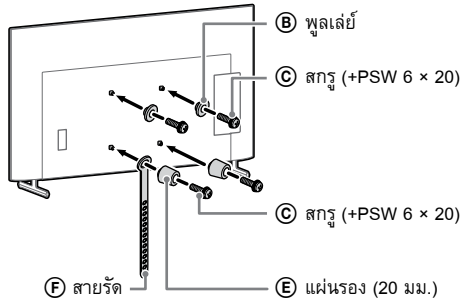
หมายเหตุ

- ติดตั้งชิ้นส่วนยึดติดให้แน่นโดยใช้สกรู
- หากใช้ไขควงไฟฟ้า ให้ตั้งค่าแรงทอร์กไว้ที่ประมาณ 1.5 N·m (15 kgf·cm)

หากเลือกการติดตั้งแบบมาตรฐาน (2-a):



หากเลือกการติดตั้งแบบประหยัดพื้นที่ (2-b):



- ทำขั้นตอนข้างต้นซ้ำอีกครั้งแล้วถอดแป้นรองแบบตั้งโต๊ะอีกข้างหนึ่งออก

เฉพาะ KD-75X85L / 65X85L / 65X85BL / 55X85L, KM-75X85L / 65X85L / 55X85L

- ถอดแป้นรองแบบตั้งโต๊ะออกทีละข้าง จับแป้นรองแบบตั้งโต๊ะให้แน่นด้วยมือทั้งสองข้างพร้อมให้อีกคนหนึ่งยกทีวีหรือจอ LCD ขึ้น

5 เชื่อมต่อสายเคเบิลที่จำเป็นเข้ากับทีวีหรือจอ LCD

โปรดแน่ใจว่าได้เชื่อมต่อสายเคเบิลก่อนที่จะติดตั้งทีวีหรือจอ LCD บนผนังเพราะท่านจะไม่สามารถเชื่อมต่อสายเคเบิลได้เมื่อติดตั้งทีวีหรือจอ LCD แล้ว

หมายเหตุ

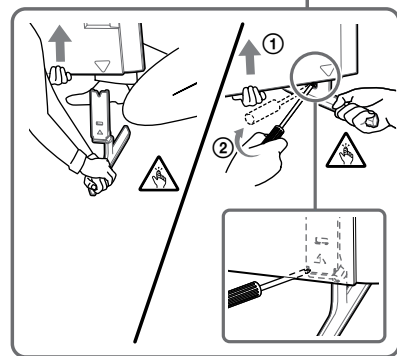
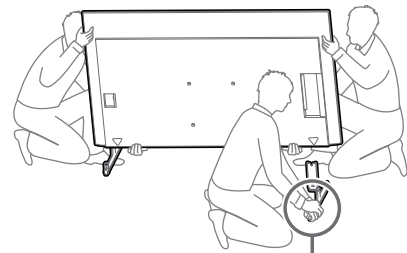
- โปรดให้ตัวแทนที่ได้รับการรับรองทำการเดินสายเคเบิลภายในผนัง
- ม้วนเก็บสายเคเบิลสำหรับเชื่อมต่อให้เรียบร้อยก่อนการติดตั้งเข้ากับผนังเพื่อป้องกันไม่ให้สายโดนเหยียบ

6 ถอดแป้นรองแบบตั้งโต๊ะออกจากทีวีหรือจอ LCD

ภาพประกอบต่อไปนี้ เป็นตัวอย่างของการดำเนินการ

ยกเว้น KD-75X85L / 65X85L / 65X85BL / 55X85L, KM-75X85L / 65X85L / 55X85L, XR-85X90L / 75X90L / 65X90L / 55X90L, XRM-85X90L / 75X90L / 65X90L / 55X90L

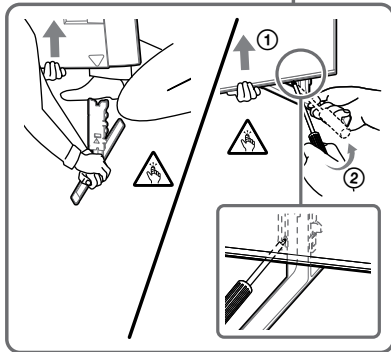
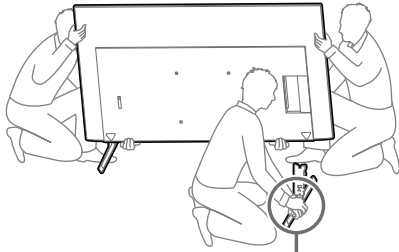
- ถอดแป้นรองแบบตั้งโต๊ะออกทีละข้าง จับแป้นรองแบบตั้งโต๊ะให้แน่นด้วยมือทั้งสองข้างพร้อมให้อีกคนหนึ่งยกทีวีหรือจอ LCD ขึ้น



- ทำขั้นตอนข้างต้นซ้ำอีกครั้งแล้วถอดแป้นรองแบบตั้งโต๊ะอีกข้างหนึ่งออก

เฉพาะ XR-85X90L / 75X90L / 65X90L / 55X90L,
XRM-85X90L / 75X90L / 65X90L / 55X90L

- ถอดแป้นรองแบบตั้งโต๊ะออกทีละข้าง จับแป้นรองแบบตั้งโต๊ะให้แน่นด้วยมือทั้งสองข้างพร้อมให้อีกคนหนึ่งยกทีวีหรือจอ LCD ขึ้น



- ทำขั้นตอนข้างต้นซ้ำอีกครั้งแล้วถอดแป้นรองแบบตั้งโต๊ะอีกข้างหนึ่งออก

หมายเหตุ

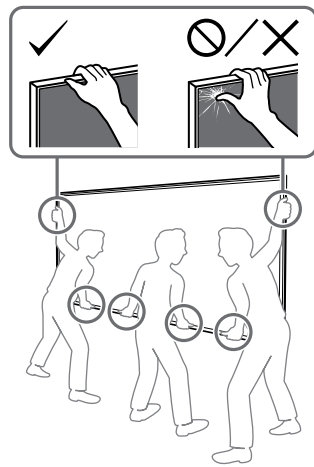
- การถอดแป้นรองแบบตั้งโต๊ะจะต้องใช้คนอย่างน้อยสามคนขึ้นไป
- โปรดระมัดระวังอย่าใช้แรงมากเกินไปขณะถอดแป้นรองแบบตั้งโต๊ะออกจากทีวีหรือจอ LCD เนื่องจากทีวีหรือจอ LCD อาจตกและส่งผลให้มีคนบาดเจ็บหรือเกิดความเสียหายแก่ทีวีหรือจอ LCD ได้
- ควรระมัดระวังขณะทำงานกับแป้นรองแบบตั้งโต๊ะ เพื่อป้องกันมิให้ทีวีหรือจอ LCD ได้รับความเสียหาย
- โปรดระมัดระวังขณะยกทีวีหรือจอ LCD เนื่องจากขณะถอดแป้นรองแบบตั้งโต๊ะออก แป้นรองอาจตกและเป็นเหตุให้เกิดการบาดเจ็บได้
- โปรดถอดแป้นรองแบบตั้งโต๊ะออกจากทีวีหรือจอ LCD อย่างระมัดระวัง เพื่อป้องกันมิให้เครื่องตกและทำให้พื้นผิวที่รองรับทีวีหรือจอ LCD ได้รับความเสียหาย

ติดตั้งทีวีหรือจอ LCD บนผนัง

เฉพาะ KD-85X8xL / 85X8xBL / 75X8xL /
75X8xBL, KM-85X8xL / 75X8xL, XR-85X9xL /
75X9xL, XRM-85X9xL / 75X9xL

คำเตือน

- ต้องใช้คนจำนวนสองคนขึ้นไป (สามคนขึ้นไปสำหรับทีวีหรือจอ LCD รุ่น 189.3 ซม. (75 นิ้ว) ขึ้นไป) สำหรับการเคลื่อนย้ายชุดทีวีหรือจอ LCD ขนาดใหญ่ (ยกเว้นอีลิปส์)
ต้องใช้คนจำนวนสองคนขึ้นไป (สามคนขึ้นไปสำหรับทีวีหรือจอ LCD รุ่น 75 นิ้ว (189.3 ซม.) ขึ้นไป) สำหรับการเคลื่อนย้ายชุดทีวีหรือจอ LCD ขนาดใหญ่ (อีลิปส์เท่านั้น)



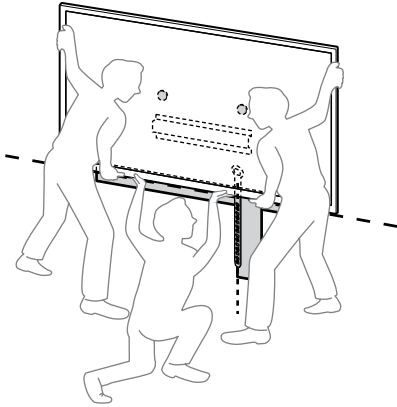
1 ยกทีวีหรือจอ LCD ขึ้น

- สำหรับตำแหน่งของพูลส์เลย์ **(B)** ที่จะแขวนบนฐานรอง (20) **(A)** หรืออะแดปเตอร์ฐานรอง **(I)** โปรดดูที่ “ตำแหน่งการประกอบอะแดปเตอร์ฐานรอง **(I)**” ที่หน้า 19
- ตรวจสอบให้แน่ใจว่าด้านหลังของทีวีหรือจอ LCD แนบกับฐานรอง (20) **(A)** หรืออะแดปเตอร์ฐานรอง **(I)** ขณะที่จับทีวีหรือจอ LCD ไว้

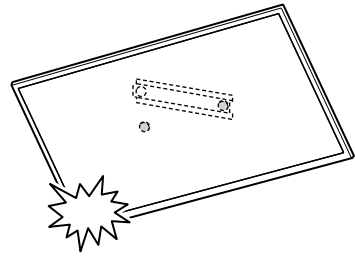
หมายเหตุ

- จับทีวีหรือจอ LCD ให้แน่นโดยใช้ทั้งสองมือ แล้วตรวจสอบสายรัด **(E)** และด้านล่างของทีวีหรือจอ LCD โดยวางให้ตรงแนวของเทปกระดาษกาวย่นที่ติดไว้

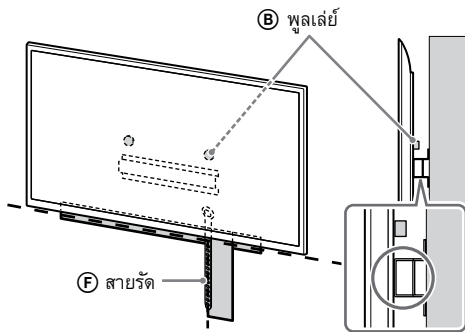
- การยกทีวีหรือจอ LCD จะต้องใช้คนยก 3 คน โดยให้คนที่อยู่ด้านหน้าทีวีหรือจอ LCD เป็นผู้ให้สัญญาณในการขยับตำแหน่งให้เข้าที่



- ค่อยๆ ปล่อยมือออกเพื่อป้องกันไม่ให้ทีวีหรือจอ LCD ไม่ตกลงมา



- ควรระมัดระวังเป็นพิเศษขณะติดตั้งทีวีหรือจอ LCD เข้ากับผนัง โดยเฉพาะผู้ที่พุงด้านล่างของทีวีหรือจอ LCD หากไม่ระมัดระวัง ชุดโทรทัศน์หรือจอ LCD อาจตกลงมาใส่ ทำให้เกิดการบาดเจ็บสาหัสหรืออาจถึงแก่ชีวิตได้

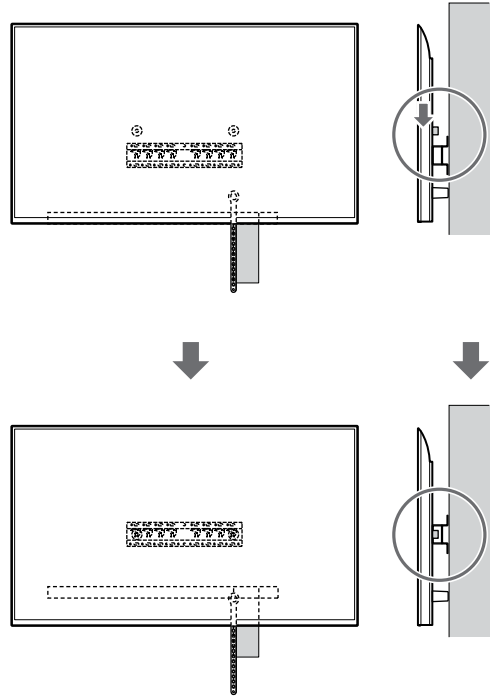
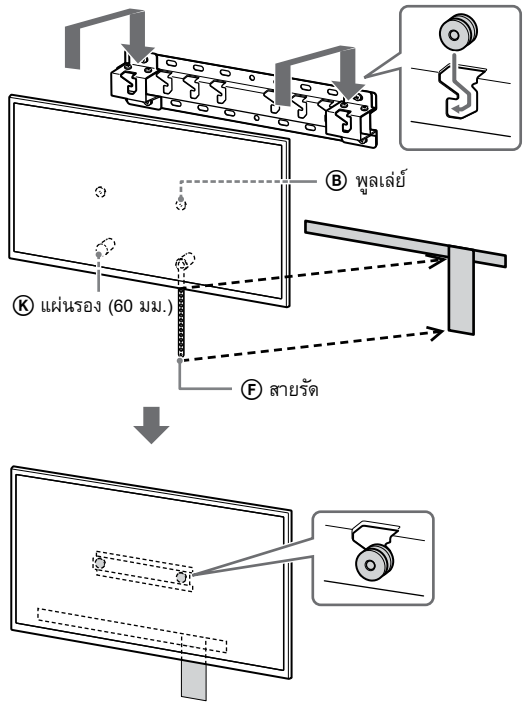


2 ติดตั้งทีวีหรือจอ LCD เข้ากับฐานรอง (20) ①

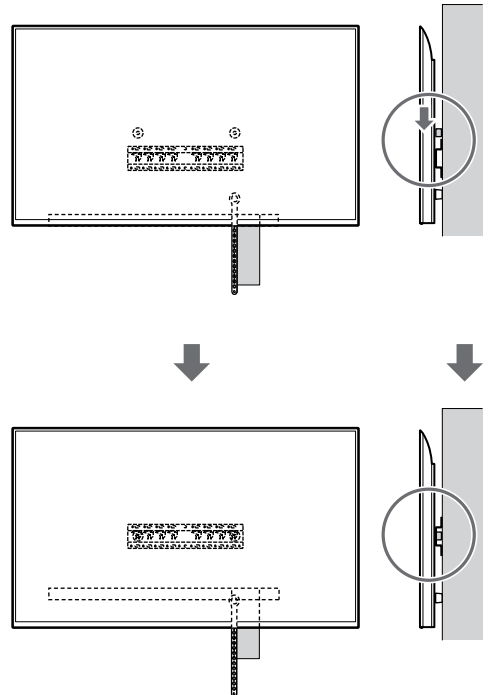
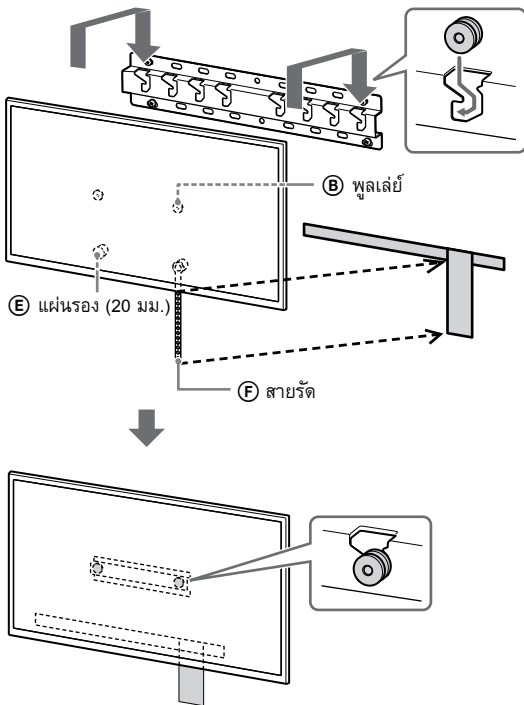
หรืออะแดปเตอร์ฐานรอง ①

- ค่อยๆ เลื่อนทีวีหรือจอ LCD และแขวนพุลเลย์ ② ที่ติดอยู่ด้านหลังของทีวีหรือจอ LCD เข้ากับฐานรอง (20) ① หรืออะแดปเตอร์ฐานรอง ① โดยตรวจสอบให้พอดีกับรูปร่างของรู
- หลังจากติดตั้งทีวีหรือจอ LCD เข้ากับผนังแล้ว ตรวจสอบว่าพุลเลย์ ② ยึดสลักเข้ากับฐานรอง (20) ① หรืออะแดปเตอร์ฐานรอง ① ไว้แน่นหนาดีแล้ว

หากเลือกการติดตั้งแบบมาตรฐาน (2-a):

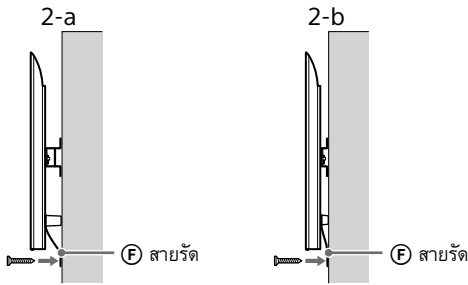


หากเลือกการติดตั้งแบบประหยัดพื้นที่ (2-b):



3 ป้องกันไม่ให้ส่วนล่างของทีวีหรือจอ LCD เคลื่อนไหวได้

- ดึงสายรัดของสายรัด ⑥ และผูกเข้ากับผนังให้แน่น



- ให้ใช้สกรูขนาดเส้นผ่านศูนย์กลาง 5 มม. หรือเทียบเท่า (ไม่ได้ให้มา)

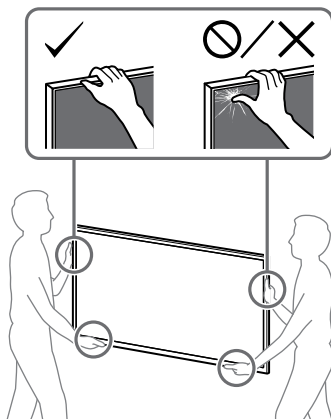
หมายเหตุ

- พยายามดึงส่วนล่างของทีวีหรือจอ LCD เข้าหาตัวคุณช้าๆ เพื่อให้แน่ใจว่าไม่ได้ขยับไปด้านหน้า หากมีการขยับแสดงว่าไม่เข้าที่ ควรดึงสายรัด ⑥ ให้แน่นอีกครั้ง

ยกเว้น KD-85X8xL / 85X8xBL / 75X8xL / 75X8xBL, KM-85X8xL / 75X8xL, XR-85X9xL / 75X9xL, XRM-85X9xL / 75X9xL

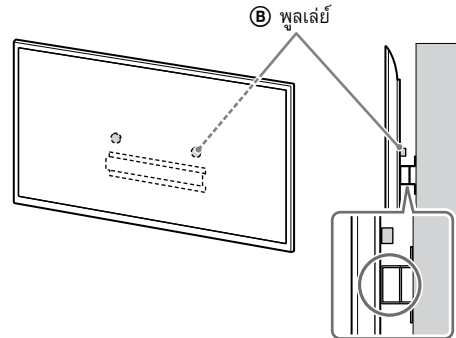
คำเตือน

- ต้องใช้คนจำนวนสองคนขึ้นไป (สามคนขึ้นไปสำหรับทีวีหรือจอ LCD รุ่น 189.3 ซม. (75 นิ้ว) ขึ้นไป) สำหรับการเคลื่อนย้ายชุดทีวีหรือจอ LCD ขนาดใหญ่ (ยกเว้นอีลิปต์)
ต้องใช้คนจำนวนสองคนขึ้นไป (สามคนขึ้นไปสำหรับทีวีหรือจอ LCD รุ่น 75 นิ้ว (189.3 ซม.) ขึ้นไป) สำหรับการเคลื่อนย้ายชุดทีวีหรือจอ LCD ขนาดใหญ่ (อีลิปต์เท่านั้น)



1 ยกทีวีหรือจอ LCD ขึ้น

- สำหรับตำแหน่งของพูลเลย์ ② ที่จะแขวนบนฐานรอง (20) ① หรืออะแดปเตอร์ฐานรอง ① โปรดดูที่ "ตำแหน่งการประกอบอะแดปเตอร์ฐานรอง ①" ที่หน้า 19
- ตรวจสอบให้แน่ใจว่าด้านหลังของทีวีหรือจอ LCD แนบกับฐานรอง (20) ① หรืออะแดปเตอร์ฐานรอง ① ขณะที่จับทีวีหรือจอ LCD ไว้

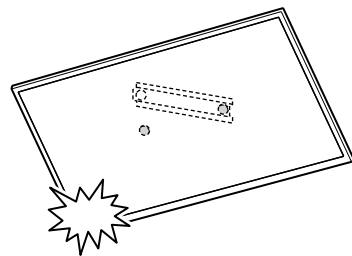


หมายเหตุ

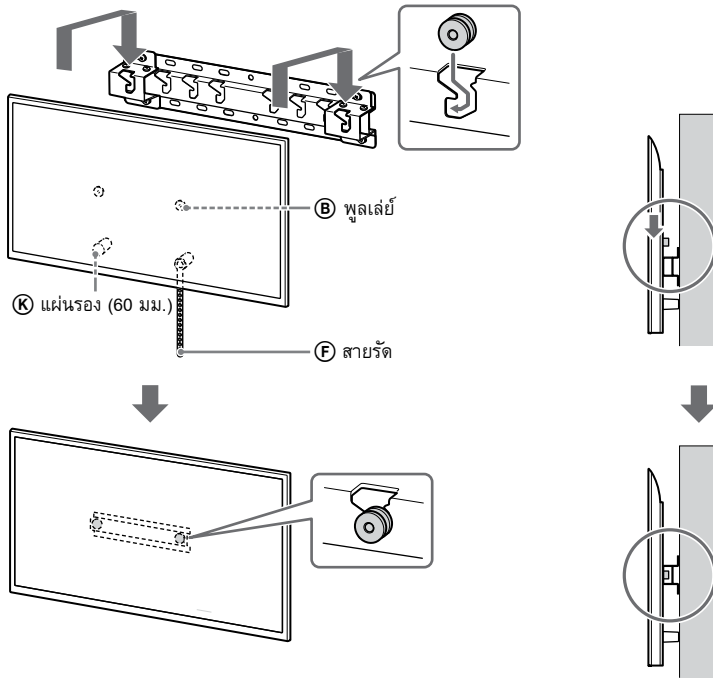
- จับทีวีหรือจอ LCD ให้แน่นด้วยมือทั้งสองข้าง

2 ติดตั้งทีวีหรือจอ LCD เข้ากับฐานรอง (20) ① หรืออะแดปเตอร์ฐานรอง ①

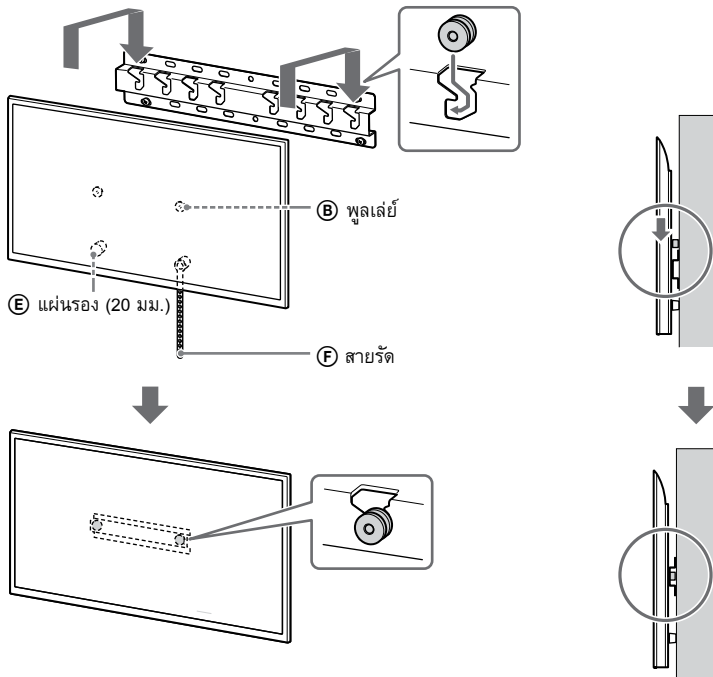
- ค่อยๆ เลื่อนทีวีหรือจอ LCD และแขวนพูลเลย์ ② ที่ติดอยู่ด้านหลังของทีวีหรือจอ LCD เข้ากับฐานรอง (20) ① หรืออะแดปเตอร์ฐานรอง ① โดยตรวจสอบให้พอดีกับรูปร่างของรู
- หลังจากติดตั้งทีวีหรือจอ LCD เข้ากับผนังแล้ว ตรวจสอบว่าพูลเลย์ ② ยึดสลักเข้ากับฐานรอง (20) ① หรืออะแดปเตอร์ฐานรอง ① ไว้แน่นหนาดีแล้ว
- ค่อยๆ ปล่อยมือออกเพื่อป้องกันไม่ให้ทีวีหรือจอ LCD ไม่ตกลงมา



หากเลือกการติดตั้งแบบมาตรฐาน (2-a):

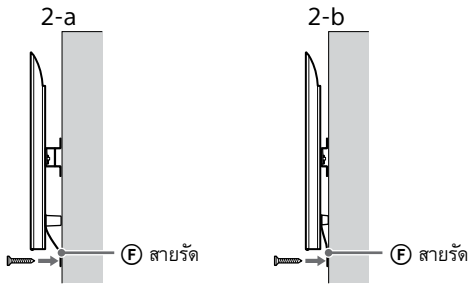


หากเลือกการติดตั้งแบบประหยัดพื้นที่ (2-b):



3 ป้องกันไม่ให้ส่วนล่างของทีวีหรือจอ LCD เคลื่อนไหวได้

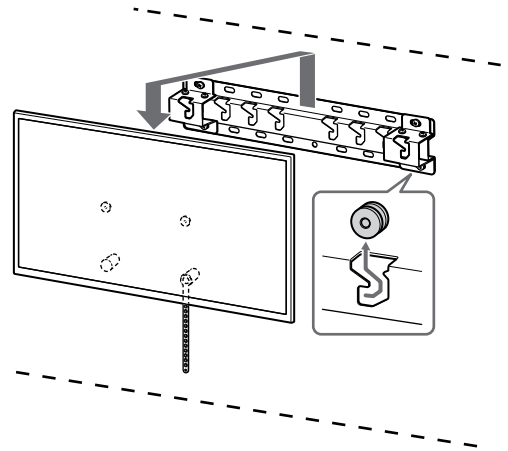
- ดึงสายรัดของสายรัด ⑥ และผูกเข้ากับผนังให้แน่น



- ให้ใช้สกรูขนาดเส้นผ่านศูนย์กลาง 5 มม. หรือเทียบเท่า (ไม่ได้ให้มา)

หมายเหตุ

- พยายามดึงส่วนล่างของทีวีหรือจอ LCD เข้าหาตัวคุณช้าๆ เพื่อให้แน่ใจว่าไม่ได้ขยับไปด้านหน้า หากมีการขยับแสดงว่าไม่เข้าที่ ควรดึงสายรัด ⑥ ให้แน่นอีกครั้ง



คำเตือน

- ต้องใช้คนจำนวนสองคนขึ้นไป (สามคนขึ้นไปสำหรับทีวีหรือจอ LCD รุ่น 189.3 ซม. (75 นิ้ว) ขึ้นไป) สำหรับการเคลื่อนย้ายชุดทีวีหรือจอ LCD ขนาดใหญ่ (ยกเว้นอีอีปด์)
ต้องใช้คนจำนวนสองคนขึ้นไป (สามคนขึ้นไปสำหรับทีวีหรือจอ LCD รุ่น 75 นิ้ว (189.3 ซม.) ขึ้นไป) สำหรับการเคลื่อนย้ายชุดทีวีหรือจอ LCD ขนาดใหญ่ (อีอีปด์เท่านั้น)

ตรวจสอบความเรียบร้อยสำหรับการติดตั้ง

ตรวจสอบหัวข้อต่อไปนี้

- ติดพูลเลย์ ② เข้ากับฐานรอง (20) ① หรืออะแดปเตอร์ฐานรอง ① ได้อย่างแน่นหนาดีแล้ว
- สายไฟและสายเคเบิลไม่ถูกบิดหรือหนีบอยู่
- สายรัด ⑥ แน่นหนา ไม่หย่อน

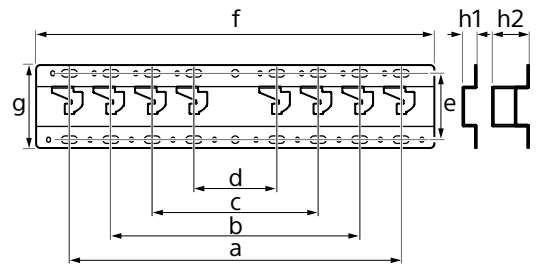
คำเตือน

- หากวางตำแหน่งสายไฟ AC ฯลฯ ไม่ถูกต้อง อาจทำให้เกิดไฟไหม้หรือไฟฟ้าดูดจากการลัดวงจรได้ โปรดตรวจสอบว่าได้ทำการติดตั้งอย่างถูกต้องสมบูรณ์แล้ว

ข้อมูลอื่นๆ

เมื่อต้องการจะถอดทีวีหรือจอ LCD ให้ปฏิบัติย้อนกลับขั้นตอนการติดตั้งข้างต้น

ข้อมูลจำเพาะ



ขนาด: (ประมาณ) [มม.]

- a : 400
- b : 300
- c : 200
- d : 100
- e : 80
- f : 480
- g : 100

h1 : 20 (สำหรับการติดตั้งแบบประหยัดพื้นที่ 2-b)

h2 : 60 (สำหรับการติดตั้งแบบมาตรฐาน 2-a)

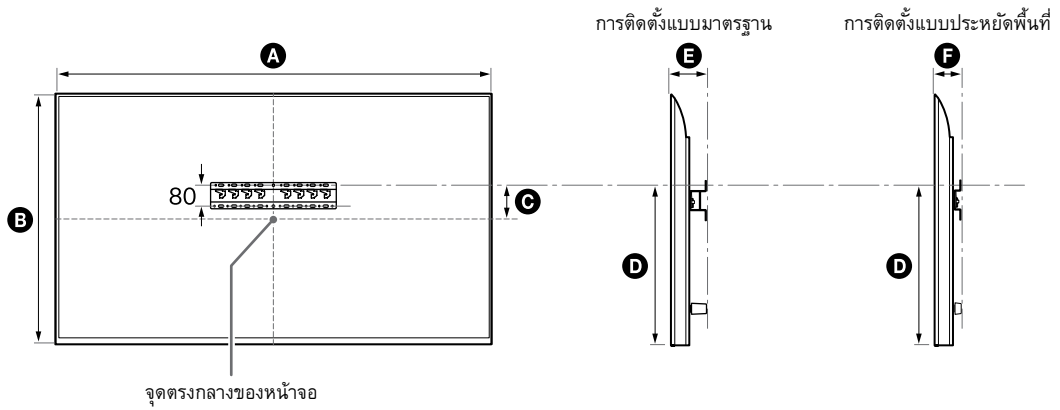
น้ำหนัก (เฉพาะฐานรอง): (ประมาณ) [กก.]

0.8

แบบและข้อมูลจำเพาะอาจเปลี่ยนแปลงได้โดยไม่แจ้งล่วงหน้า

อ้างอิง

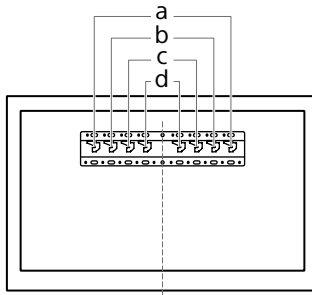
การวัดสำหรับการติดตั้งอุปกรณ์ยึดติดผนังเข้ากับผนัง
ตัวเลขในตารางนี้อาจแตกต่างกันเล็กน้อยทั้งนี้ขึ้นอยู่กับวิธีการติดตั้ง



(มม.)

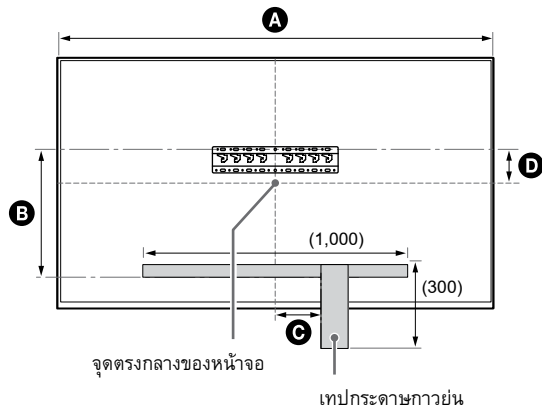
ชื่อรุ่น	A	B	C	D	E	F
KD-85X81BL / 85X80L KM-85X80L	1,901	1,090	43	592	138	96
XR-85X90L XRM-85X90L	1,891	1,085	58	607	125	83
KD-75X85L KM-75X85L	1,671	960	21	508	123	81
KD-75X81BL / 75X80L KM-75X80L	1,675	962	12	493	137	95
XR-75X90L XRM-75X90L	1,668	959	21	508	123	81
KD-65X85L / 65X85BL KM-65X85L	1,447	832	85	505	123	81
KD-65X81BL / 65X80L KM-65X80L	1,452	836	76	494	135	93
XR-65X90L XRM-65X90L	1,445	831	85	505	123	81
KD-55X85L KM-55X85L	1,228	709	146	505	122	81
KD-55X81BL / 55X80L KM-55X80L	1,233	713	133	494	135	93
XR-55X90L XRM-55X90L	1,225	707	146	505	122	81
KD-50X80L KM-50X80L	1,119	649	63	392	133	91
KD-43X80L KM-43X80L	964	563	111	392	133	91

ตำแหน่งการประกอบอะแดปเตอร์ฐานรอง ①



ชื่อรุ่น	ตำแหน่งของตะขอ	ชื่อรุ่น	ตำแหน่งของตะขอ
KD-85X81BL / 85X80L	a	KD-55X85L / 55X81BL / 55X80L	b
KM-85X80L		KM-55X85L / 55X80L	
XR-85X90L		XR-55X90L	
XRM-85X90L		XRM-55X90L	
KD-75X85L / 75X81BL / 75X80L	b	KD-50X80L	c
KM-75X85L / 75X80L		KM-50X80L	
XR-75X90L		KD-43X80L	
XRM-75X90L		KM-43X80L	
KD-65X85L / 65X85BL / 65X81BL / 65X80L	b		
KM-65X85L / 65X80L			
XR-65X90L			
XRM-65X90L			

การทำเครื่องหมายตำแหน่งสำหรับการติดตั้งทีวีหรือจอ LCD บนผนัง



(มม.)

ชื่อรุ่น	A	B	C	D
KD-85X81BL / 85X80L KM-85X80L	1,901	472	200	43
XR-85X90L XRM-85X90L	1,891	486	200	58
KD-75X85L KM-75X85L	1,671	388	150	21
KD-75X81BL / 75X80L KM-75X80L	1,675	373	150	12
XR-75X90L XRM-75X90L	1,668	388	150	21

Informasi Pemasangan untuk Penggunaan Braket Penyangga Dinding Sony (SU-WL450)

Model yang didukung*:

* Dalam nama model yang sebenarnya, "x"/"xx" menandakan angka dan/atau karakter yang spesifik untuk setiap model.

KD-85X8xL / 85X8xBL / 75X8xL / 75X8xBL / 65X8xL / 65X8xBL / 55X8xL / 55X8xBL / 50X8xL / 43X8xL

KM-85X8xL / 75X8xL / 65X8xL / 55X8xL / 50X8xL / 43X8xL

XR-85X9xL / 75X9xL / 65X9xL / 55X9xL

XRM-85X9xL / 75X9xL / 65X9xL / 55X9xL

Kepada Pelanggan

Untuk alasan perlindungan produk dan keselamatan, Sony sangat menganjurkan pemasangan TV atau Monitor LCD Anda dilakukan oleh dealer Sony atau kontraktor yang memiliki lisensi. Jangan mencoba untuk memasangnya sendiri.

Kepada Dealer Sony dan Kontraktor

Beri perhatian penuh pada keselamatan selama pemasangan, pemeliharaan rutin dan pemeriksaan produk ini.

Keahlian yang memadai diperlukan untuk memasang produk ini, khususnya untuk menentukan kekuatan dinding guna menahan berat TV atau Monitor LCD. Pastikan untuk mempercayakan perlengkapan dinding produk ini kepada dealer Sony atau kontraktor yang memiliki lisensi dan memberi perhatian yang cukup kepada faktor keselamatan selama pemasangan. Sony tidak bertanggung jawab atas semua kerusakan atau cedera yang timbul karena kesalahan penanganan atau pemasangan yang tidak benar.

Untuk Keselamatan dan pemasangan yang benar, ikuti Petunjuk Pengoperasian Braket Penyangga Dinding, Panduan Penyetelan TV atau Monitor LCD, dan pengarahan dalam petunjuk ini.

Braket Penyangga Dinding

Keselamatan

Terima kasih telah membeli produk ini.

Kepada Pelanggan

Pemasangan TV atau Monitor LCD di Dinding



PERINGATAN

DIBUTUHKAN PEMASANGAN OLEH TENAGA PROFESIONAL

Produk ini hanya boleh dipasang oleh tenaga pemasang profesional yang berpengalaman untuk menentukan kekuatan dinding dalam menahan beban dari berat TV atau Monitor LCD. TV atau Monitor LCD bisa jatuh dan menyebabkan cedera serius bila tidak dipasang dengan benar selama proses pemasangan. Sony tidak bertanggung jawab atas kerusakan atau cedera yang diakibatkan oleh kesalahan penanganan atau pemasangan yang tidak benar, atau pemasangan produk lain selain daripada produk yang telah ditentukan. Hak Anda menurut Undang-Undang (jika ada) tidak akan terpengaruh.

Kepada Dealer Sony

Keahlian yang memadai dibutuhkan untuk memasang produk ini. Pastikan untuk membaca petunjuk penggunaan ini selengkapnya untuk melakukan pekerjaan pemasangan dengan aman. Sony tidak bertanggung jawab atas ganti rugi atau cedera yang disebabkan oleh penanganan yang salah atau pemasangan yang tidak benar. Berikanlah petunjuk ini kepada pelanggan setelah pemasangan selesai.

Petunjuk penggunaan ini memperlihatkan penanganan yang benar atas produk dan langkah pencegahan penting yang diperlukan untuk mencegah kecelakaan. Anda wajib dan bertanggung jawab untuk membaca, memahami dengan saksama, dan mengikuti semua petunjuk yang tertera dalam petunjuk penggunaan ini. Kelalaian untuk melakukannya bisa mengakibatkan cedera serius atau kerusakan properti, dan bisa membatalkan garansi. Sediakan selalu petunjuk ini untuk acuan di masa mendatang.

Produk Sony didesain dengan mengingat keselamatan. Namun jika produk digunakan dengan tidak benar, cedera serius dapat terjadi karena kebakaran, sengatan listrik, produk roboh, atau produk terjatuh. Pastikan untuk mematuhi tindakan pencegahan keselamatan untuk mencegah kecelakaan demikian.

PERHATIAN

Produk yang disebutkan

Braket Penyangga Dinding ini didesain untuk digunakan dengan produk TV atau Monitor LCD yang disebutkan. Untuk TV atau Monitor LCD, lihat Panduan Referensi untuk memverifikasi bahwa Braket Penyangga Dinding dapat digunakan.

Kepada Pelanggan

PERINGATAN

Dalam langkah pencegahan berikut ini, cedera serius atau kematian dapat terjadi karena kebakaran, sengatan listrik, atau produk terjatuh.

Pastikan untuk mensubkontrakkan pemasangan kepada kontraktor berlisensi dan jauhkan anak-anak selama melakukan pemasangan.

Jika Braket Penyangga Dinding atau TV atau Monitor LCD tidak dipasang dengan benar, kecelakaan berikut ini dapat terjadi. Pastikan bahwa yang melakukan pemasangan adalah kontraktor berlisensi.

- TV atau Monitor LCD dapat jatuh dan menyebabkan cedera serius seperti memar atau patah tulang.
- Jika dinding tempat memasang Braket Penyangga Dinding tidak stabil, tidak rata, atau tidak tegak lurus terhadap lantai, unit dapat jatuh dan menyebabkan cedera atau kerusakan harta benda. Dinding harus mampu menahan berat paling sedikit empat kali berat TV atau Monitor LCD. (Lihat Panduan Referensi TV atau Monitor LCD Anda untuk beratnya.)
- Jika pemasangan Braket Penyangga Dinding pada dinding tidak cukup kokoh, unit dapat jatuh dan menyebabkan cedera atau kerusakan harta benda.

Pastikan untuk mensubkontrakkan pemindahan atau pelepasan TV atau Monitor LCD kepada kontraktor berlisensi.

Jika pengangkutan atau pelepasan dilakukan bukan oleh kontraktor berlisensi, TV atau Monitor LCD dapat jatuh dan menyebabkan cedera atau kerusakan harta benda. Diperlukan dua orang atau lebih (tiga orang atau lebih untuk TV atau Monitor LCD 189,3 cm (75 inci) dan lebih besar) untuk mengangkat TV atau Monitor LCD yang besar (kecuali Mesir). Diperlukan dua orang atau lebih (tiga orang atau lebih untuk TV atau Monitor LCD 75 inci (189,3 cm) dan lebih besar) untuk mengangkat TV atau Monitor LCD yang besar (Mesir saja).

Jangan melepaskan sekrup, dll., setelah memasang TV atau Monitor LCD.

Jika Anda melakukannya, TV atau Monitor LCD dapat jatuh dan menyebabkan cedera atau kerusakan harta benda.

Jangan melakukan perubahan pada komponen-komponen Braket Penyangga Dinding.

Jika Anda melakukan ini, Braket Penyangga Dinding dapat jatuh dan menyebabkan cedera atau kerusakan harta benda.

Jangan memasang perangkat apa pun selain produk yang disebutkan.

Braket Penyangga Dinding ini didesain untuk digunakan hanya dengan produk yang disebutkan. Jika Anda memasang perangkat selain yang disebutkan, dudukan dapat jatuh atau patah, dan menyebabkan cedera atau kerusakan harta benda.

Jangan memberikan beban apa pun selain TV atau Monitor LCD pada Braket Penyangga Dinding.

Jangan mengguncang TV atau Monitor LCD ke kiri/kanan, atas/bawah.

Jika Anda melakukannya, TV atau Monitor LCD dapat jatuh dan menyebabkan cedera atau kerusakan harta benda.

Jangan bersandar atau bergantung pada TV atau Monitor LCD.

Jangan bersandar atau bergantung pada TV atau Monitor LCD karena dapat jatuh ke atas Anda dan menyebabkan cedera serius.

PERHATIAN

Jika langkah pencegahan berikut ini tidak diikuti, cedera atau kerusakan harta benda dapat terjadi.

- Pastikan untuk menyimpan bagian-bagian yang tidak digunakan di tempat yang aman untuk digunakan di masa mendatang. Jauhkan dari jangkauan anak-anak.

ID

Jangan menangani produk dengan tenaga berlebihan selama membersihkan atau merawat produk.

Jangan mengenakan tenaga berlebihan pada sisi atas TV atau Monitor LCD. Jika Anda melakukannya, TV atau Monitor LCD dapat jatuh dan menyebabkan cedera atau kerusakan harta benda.

Tindakan Pencegahan

- Jika Anda menggunakan TV atau Monitor LCD yang dipasang pada Braket Penyangga Dinding untuk jangka waktu lama, dinding di belakang atau di atas TV atau Monitor LCD dapat memudar warnanya atau wallpaper dapat terlepas, tergantung pada bahan dindingnya.
- Jika Braket Penyangga Dinding dilepas setelah dipasang pada dinding, lubang-lubang sekrupnya akan tertinggal pada dinding.
- Jangan gunakan Braket Penyangga Dinding di tempat yang membuatnya terkena getaran mekanis.

Memasang Braket Penyangga Dinding

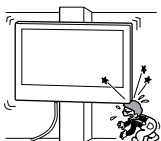
Kepada Dealer Sony

PERINGATAN

Petunjuk berikut ini adalah hanya untuk dealer Sony. Pastikan untuk membaca tindakan pencegahan keselamatan yang diuraikan di atas dan berikan perhatian khusus kepada keselamatan selama pemasangan, perawatan, dan pemeriksaan produk ini.

Jangan memasang Braket Penyangga Dinding pada permukaan dinding yang akan membuat sudut atau pinggiran TV atau Monitor LCD menonjol keluar dari permukaan dinding.

Jangan memasang Braket Penyangga Dinding pada permukaan dinding seperti pilar, yang akan membuat sudut atau pinggiran TV atau Monitor LCD menonjol keluar dari permukaan dinding. Jika seseorang atau benda kebetulan membentur sudut atau sisi TV atau Monitor LCD yang menonjol, cedera atau kerusakan harta benda dapat terjadi.

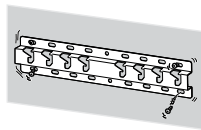


Jangan memasang TV atau Monitor LCD di atas atau di bawah AC.

Jika TV atau Monitor LCD terkena kebocoran air atau arus udara dari AC untuk waktu lama, kebakaran atau sengatan listrik, atau malfungsi TV atau Monitor LCD dapat terjadi.

Pastikan untuk memasang Braket Penyangga Dinding dengan kuat pada dinding dengan mengikuti petunjuk dalam petunjuk penggunaan ini.

Jika ada sekrupnya yang kendur atau terjatuh, Braket Penyangga Dinding dapat jatuh dan menyebabkan cedera atau kerusakan harta benda. Pastikan untuk menggunakan sekrup yang sesuai dengan bahan dinding dan pasang unit dengan kencang menggunakan empat atau lebih sekrup diameter 8 mm (atau setara).



Pastikan untuk menggunakan sekrup dan komponen pemasangan yang disertakan dengan mengikuti petunjuk penggunaan ini secara benar. Jika Anda mengganti komponen dengan komponen lain, TV atau Monitor LCD dapat jatuh dan menyebabkan cedera badan pada orang atau kerusakan pada TV atau Monitor LCD.

Pastikan untuk merakit dudukan dengan benar dengan mengikuti prosedur yang ditentukan seperti dijelaskan dalam petunjuk penggunaan ini.

Jika ada sekrup yang kendur atau terjatuh, TV atau Monitor LCD dapat jatuh dan menyebabkan cedera badan pada orang atau kerusakan pada TV atau Monitor LCD.

Pastikan untuk mengencangkan sekrup dengan kuat pada posisi yang ditentukan.

Jika Anda tidak melakukan hal ini, TV atau Monitor LCD dapat jatuh dan menyebabkan cedera badan pada orang atau kerusakan pada TV atau Monitor LCD.

Berhati-hatilah untuk tidak membuat TV atau Monitor LCD terkena kejutan saat dipasang.

Jika terkena kejutan, TV atau Monitor LCD dapat terjatuh atau hancur. Hal ini dapat menyebabkan cedera.

Pastikan untuk memasang TV atau Monitor LCD pada dinding yang tegak lurus dan juga rata.

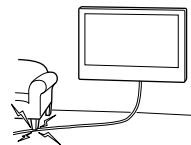
Jika Anda tidak melakukannya, TV atau Monitor LCD dapat jatuh dan menyebabkan cedera.

Setelah TV atau Monitor LCD dipasang dengan benar, kencangkan kabel-kabelnya dengan baik.

Jika ada orang atau benda yang tersangkut pada kabel, cedera atau kerusakan pada TV atau Monitor LCD dapat terjadi.

Jangan biarkan kabel listrik AC atau kabel penghubung terjepit.

Jika kabel listrik AC atau kabel penghubung terjepit di antara unit dan dinding atau tertekuk atau terpuntir secara paksa, konduktor internalnya dapat menjadi terbuka dan menyebabkan korsleting (hubungan pendek) atau putusnya aliran listrik. Hal ini dapat menyebabkan kebakaran atau sengatan listrik.



Sekrup-sekrup yang dibutuhkan untuk mengencangkan Braket Penyangga Dinding pada dinding tidak disertakan.

Gunakan sekrup yang sesuai dengan bahan dan struktur dinding saat memasang Braket Penyangga Dinding.

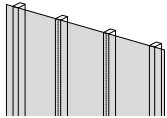
Persiapan

- Ilustrasi TV atau Monitor LCD yang ditunjukkan dalam petunjuk ini adalah contoh yang digunakan untuk memberikan penjelasan yang lebih baik mengenai pengoperasian. Karena alasan ini, ilustrasi mungkin tampak berbeda dari TV atau Monitor LCD Anda yang sesungguhnya.

Terbuat dari apakah dinding Anda?

Pertama, periksa tipe dinding yang akan dipasang TV atau Monitor LCD.

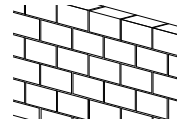
Dinding gypsum dengan baut tanam



Tindakan Pencegahan

- Ketebalan maksimum dinding gypsum: 16 mm.
- Pastikan ukuran stud kayu dalam sekurangnya 51 mm × 102 mm untuk umum atau 38 mm × 89 mm untuk nominal.

Beton padat atau balok beton



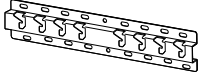







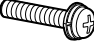
Tindakan Pencegahan

- Pasang Braket Penyangga Dinding langsung pada dinding beton padat.
- Pastikan ketebalan dinding beton padat sekurangnya 203 mm.
- Pastikan ukuran masing-masing balok beton sekurangnya 203 mm × 203 mm × 406 mm.




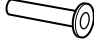

Memeriksa komponen

Disertakan dengan SU-WL450

- Pastikan bahwa semua komponen sudah ada.

<p>Ⓐ Alas (20) (x1)</p> 	<p>Ⓑ Puli (x2)</p> 	<p>Ⓒ Sekrup (+PSW 6 x 20) (x4)</p> 	<p>Ⓔ Penjarak (20 mm) (x2)</p> 
<p>Ⓕ Sabuk (x1)</p> 	<p>Ⓘ Penyesuai Alas (x2)</p> 	<p>Ⓙ Sekrup (+PSW 4 x 10) (x8)</p> 	<p>Ⓚ Penjarak (60 mm) (x2)</p> 
<p>Ⓛ Sekrup (+PSW 6 x 50) (x2)</p> 			

- Komponen ini mungkin tidak digunakan untuk model Anda.

<p>Ⓓ Sekrup (+PSW 4 x 20) dengan Blok Bantalan (x2)</p> 	<p>Ⓞ Blok Bantalan (20) (M4) (x2)</p> 	<p>ⓓ Sekrup (+PSW 4 x 20) (x2)</p> 	<p>Ⓜ Blok Bantalan (M4) (x2)</p> 
<p>Ⓝ Sekrup (+PSW 4 x 50) (x2)</p> 			



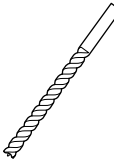
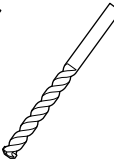
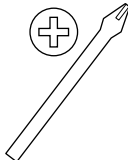
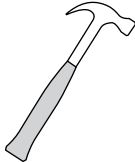
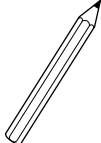
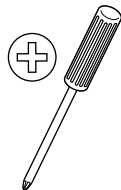
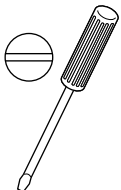





Disediakan dengan TV atau Monitor LCD

<p>Perangkat Tambahan Penyangga Dinding VS (x4)*</p> 

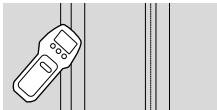
- * Hanya untuk kawasan/negara/model tertentu.

Menyiapkan pemasangan

- Siapkan Panduan Referensi dan Panduan Penyetelan TV atau Monitor LCD sebelum memasang.
- Pastikan kembali posisi pemasangan TV atau Monitor LCD Anda.
- Siapkan empat atau lebih sekrup berdiameter 8 mm dan satu sekrup 5 mm atau setara (tidak disertakan). Pilih sekrup yang sesuai dengan bahan dinding.
- Siapkan alat berikut:

*1 		 5,5 mm	 10 mm	
*2 		 1,5 N·m {15 kgf·cm}	*3  1,5 N·m {15 kgf·cm}	
	*2  (x4)	 (x4) 8 mm × 60 mm	 5 mm	
*4 				

*1 Khusus untuk dinding gypsum dengan baut tanam



*2 Khusus untuk beton padat atau balok beton

*3 Tergantung pada modelnya

*4 Hanya untuk TV atau Monitor LCD ukuran 189,3 cm (75 inci) ke atas (kecuali Mesir)

Hanya untuk TV atau Monitor LCD ukuran 75 inci (189,3 cm) ke atas (Mesir saja)

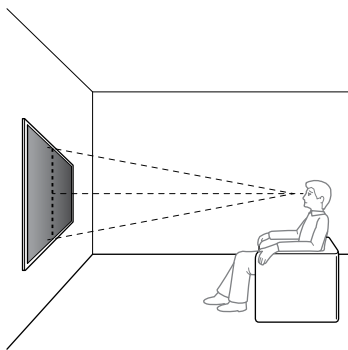
Memasang Braket Penyangga Dinding ke dinding

1 Memutuskan lokasi pemasangan.

Pastikan dinding memiliki ruang yang cukup untuk TV atau Monitor LCD dan mampu menyangga berat sebesar empat kali lipat berat TV atau Monitor LCD. Lihat Panduan Referensi TV atau Monitor LCD Anda untuk berat TV atau Monitor LCD.

Catatan

- Ketika TV atau Monitor LCD Anda dipasang di dinding, bagian atas TV atau Monitor LCD sedikit condong ke depan.
- Anda sebaiknya memeriksa posisi TV atau Monitor LCD dalam lingkungan untuk menonton.



2 Pilih cara pemasangan di dinding seperti ditunjukkan di bawah ini.

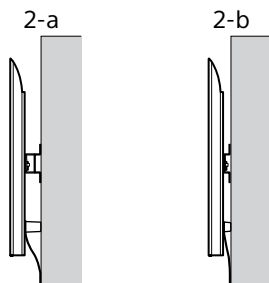
2-a: Pemasangan standar

2-b: Pemasangan ramping

- Lihat "Pengukuran untuk pemasangan Braket Penyangga Dinding di dinding" pada halaman 18.

PERINGATAN

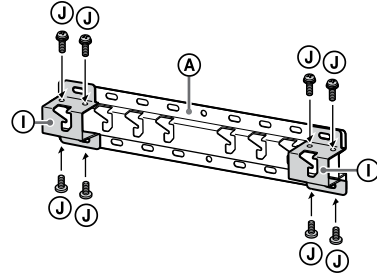
- Apabila 2-b dipilih, Akses terminal belakang terbatas.



3 Jika memilih pemasangan standar (2-a):

Pasang Penyesuai Alas ① dengan menggunakan Sekrup (+PSW 4 x 10) ② ke Alas (20) ③.

- Lihat "Lokasi pemasangan Penyesuai Alas ①" pada halaman 19.



Mis.: Memasang Penyesuai Alas ① di lokasi "a"

Jika memilih pemasangan ramping (2-b):

Lompati langkah ini.

4 Tentukan posisi sekrup untuk memasang Alas (20) ③.

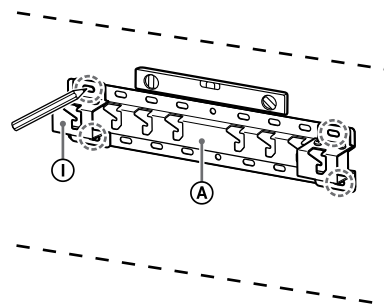
- Lihat "Spesifikasi" pada halaman 17.

PERINGATAN

- Tentukan kekuatan dinding tempat TV atau Monitor LCD akan dipasang. Perkuat dinding hingga memadai, jika perlu.
- Dinding tempat TV atau Monitor LCD akan dipasang harus mampu menahan berat paling sedikit empat kali berat TV atau Monitor LCD. (Lihat Panduan Referensi TV atau Monitor LCD Anda untuk beratnya.)

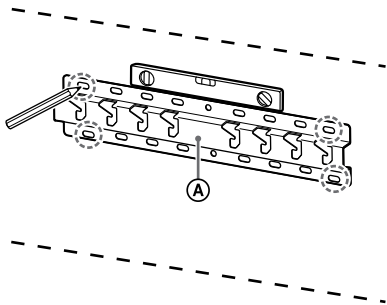
Jika memilih pemasangan standar (2-a):

Gunakan posisi lubang Penyesuai Alas ①.



Mis.: Menandai di lokasi "a" untuk memasang Alas (20) ③

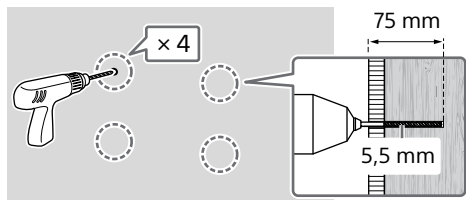
Jika memilih pemasangan ramping (2-b):



Mis.: Menandai di lokasi "a" untuk memasang Alas (20) (A)

5 Bor lubang panduan pada tanda.
Pastikan lokasi di dinding untuk mengebor lubang cukup kuat untuk menopang berat setidaknya empat kali lipat dari TV atau Monitor LCD.

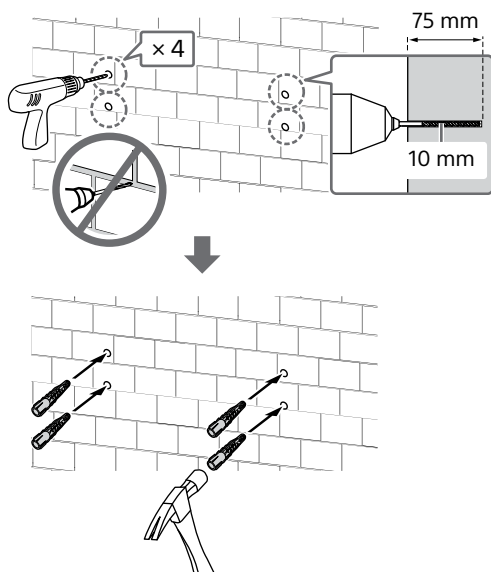
Mengebor di dinding gypsum dengan baut tanam:



Catatan

- Lubang panduan harus dibor dengan kedalaman hingga 75 mm, menggunakan mata bor dengan diameter 5,5 mm.

Mengebor di beton padat atau balok beton:

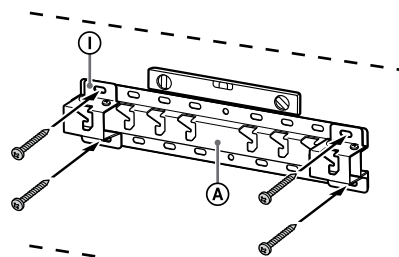


6 Pasang Alas (20) (A) di dinding menggunakan sekrup yang sesuai (tidak disertakan).

Catatan

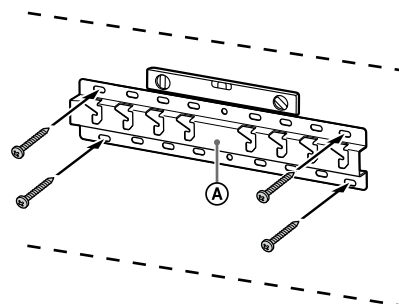
- Gunakan empat atau lebih sekrup berdiameter 8 mm atau setara (tidak disertakan).
- Gunakan perata untuk memeriksa apakah Alas (20) (A) sudah rata.

Jika memilih pemasangan standar (2-a):
Pasang empat sekrup ke lubang Penyesuai Alas (1) Dengan Alas (20) (A).



Mis.: Memasang Alas (20) (A) di lokasi "a"

Jika memilih pemasangan ramping (2-b):



Mis.: Memasang Alas (20) (A) di lokasi "a"

7 Khusus KD-85X8xL / 85X8xBL / 75X8xL / 75X8xBL, KM-85X8xL / 75X8xL, XR-85X9xL / 75X9xL, XRM-85X9xL / 75X9xL

Tandai lokasi pemasangan di dinding.

Gunakan isolasi kertas, dll. (tidak disertakan) untuk menandai lokasi TV atau Monitor LCD di dekat Alas (20) (A) atau Penyesuai Alas (1).

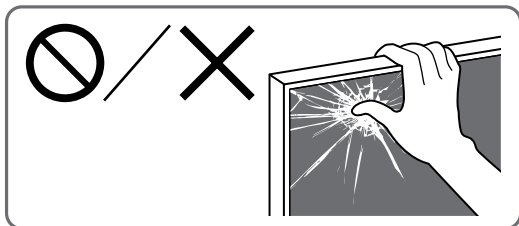
- Lihat "Penandaan di dinding untuk lokasi pemasangan TV atau Monitor LCD" pada halaman 20.

Kecuali KD-85X8xL / 85X8xBL / 75X8xL / 75X8xBL, KM-85X8xL / 75X8xL, XR-85X9xL / 75X9xL, XRM-85X9xL / 75X9xL
 Lompati langkah ini.

Mempersiapkan pemasangan TV atau Monitor LCD

Catatan

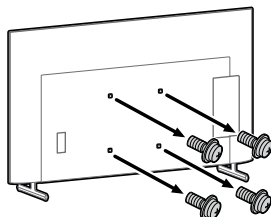
- Pastikan untuk menyimpan sekrup yang dilepaskan dan komponen yang tidak digunakan di tempat yang aman, jauh dari anak-anak.



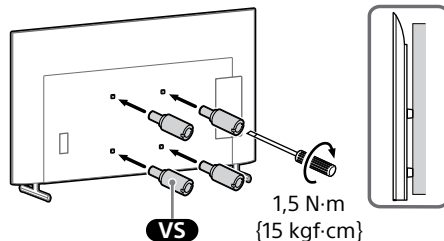
1 Pasang Penyangga di Atas Meja untuk membuat TV atau Monitor LCD berdiri.

- Lihat Panduan Penyetelan TV atau Monitor LCD Anda.

2 Lepaskan sekrup dari bagian belakang TV atau Monitor LCD.



3 Pasang Perangkat Tambahan Penyangga Dinding **VS** (disertakan bersama TV atau Monitor LCD) ke bagian belakang TV atau Monitor LCD (agar sejajar dengan dinding).



Catatan

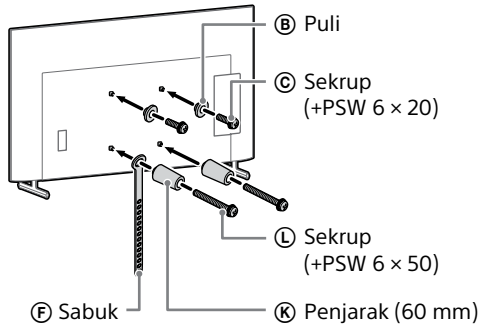
- Pastikan untuk mengencangkan Perangkat Tambahan Penyangga Dinding **VS** saat memasangnya ke TV atau Monitor LCD. Gunakan hanya obeng minus untuk memasang Perangkat Tambahan Penyangga Dinding **VS**. Penggunaan alat lain dapat menyebabkan pengencangan yang berlebihan pada Perangkat Tambahan Penyangga Dinding **VS** dan merusak TV atau Monitor LCD.

4 Pasang komponen Pengait untuk Braket Penyangga Dinding. Periksa komponen Pengait dengan melihat bagian "Disertakan dengan SU-WL450" di "Memeriksa komponen" pada halaman 6.

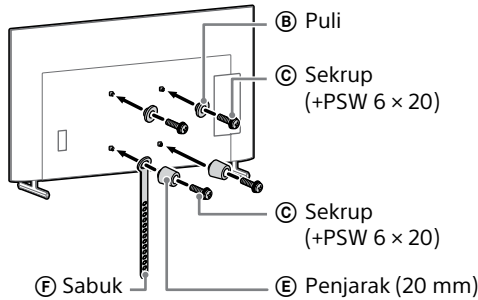
Catatan

- Kencangkan dengan erat komponen Pengait menggunakan sekrup.
- Ketika menggunakan obeng listrik, setel pengaturan torsi ke sekitar 1,5 N·m {15 kgf·cm}.

Jika memilih pemasangan standar (2-a):



Jika memilih pemasangan ramping (2-b):



5 Hubungkan kabel yang diperlukan ke TV atau Monitor LCD.

Pastikan untuk menghubungkan kabel sebelum memasang TV atau Monitor LCD pada dinding. Anda tidak akan dapat menghubungkan kabel setelah TV atau Monitor LCD dipasang.

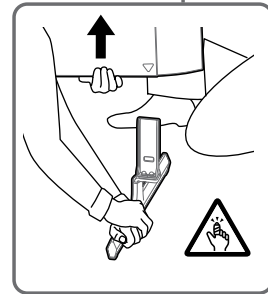
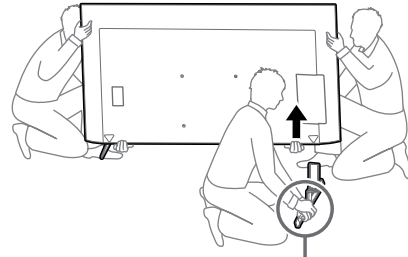
Catatan

- Subkontrakkan penataan jalur kabel di dalam dinding kepada kontraktor berlisensi.
- Bundel kabel-kabel penghubung untuk mencegah kabel terinjak sebelum dipasang pada dinding.

6 Lepaskan Penyangga di Atas Meja dari TV atau Monitor LCD.
Ilustrasi berikut adalah contoh pengoperasian.

Kecuali KD-75X85L / 65X85L / 65X85BL / 55X85L, KM-75X85L / 65X85L / 55X85L, XR-85X90L / 75X90L / 65X90L / 55X90L, XRM-85X90L / 75X90L / 65X90L / 55X90L

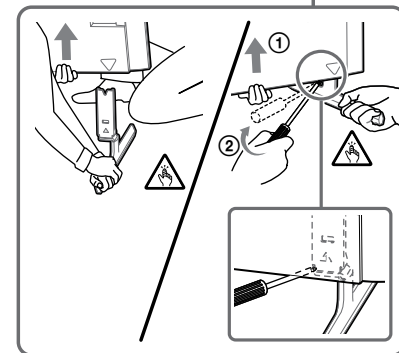
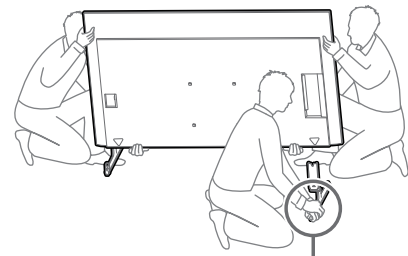
- Lepaskan sisi Penyangga Di Atas Meja satu per satu. Pegang dengan erat Penyangga Di Atas Meja dengan kedua tangan sementara orang lain mengangkat TV atau Monitor LCD.



- Ulangi langkah sebelumnya dan lepaskan sisi lain Penyangga Di Atas Meja.

Khusus KD-75X85L / 65X85L / 65X85BL / 55X85L, KM-75X85L / 65X85L / 55X85L

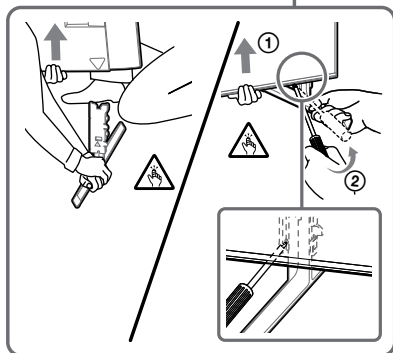
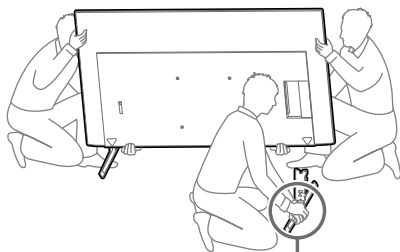
- Lepaskan sisi Penyangga Di Atas Meja satu per satu. Pegang dengan erat Penyangga Di Atas Meja dengan kedua tangan sementara orang lain mengangkat TV atau Monitor LCD.



- Ulangi langkah sebelumnya dan lepaskan sisi lain Penyangga Di Atas Meja.

Khusus XR-85X90L / 75X90L / 65X90L / 55X90L, XRM-85X90L / 75X90L / 65X90L / 55X90L

- Lepaskan sisi Penyangga Di Atas Meja satu per satu. Pegang dengan erat Penyangga Di Atas Meja dengan kedua tangan sementara orang lain mengangkat TV atau Monitor LCD.



- Ulangi langkah sebelumnya dan lepaskan sisi lain Penyangga Di Atas Meja.

Catatan

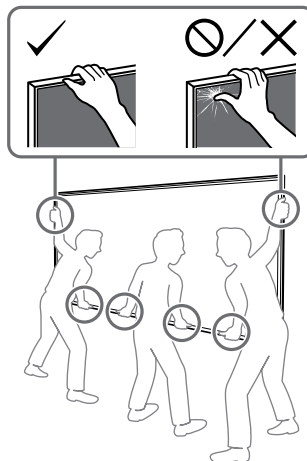
- Diperlukan tiga orang atau lebih untuk melepas Penyangga Di Atas Meja.
- Waspadalah agar tidak menggunakan tenaga yang berlebihan saat melepas Penyangga Di Atas Meja dari TV atau Monitor LCD karena ini dapat membuat TV atau Monitor LCD terjatuh dan menyebabkan cedera pada orang atau kerusakan fisik pada TV atau Monitor LCD.
- Berhati-hatilah saat menangani Penyangga Di Atas Meja untuk mencegah kerusakan pada TV atau Monitor LCD.
- Waspadalah ketika mengangkat TV atau Monitor LCD karena Penyangga Di Atas Meja tidak terpasang, Penyangga Di Atas Meja bisa terjatuh dan menyebabkan luka.
- Berhati-hatilah ketika melepaskan Penyangga Di Atas Meja dari TV atau Monitor LCD untuk mencegahnya terjatuh dan merusak permukaan tempat TV atau Monitor LCD ditempatkan.

Memasang TV atau Monitor LCD pada dinding

Khusus KD-85X8xL / 85X8xBL / 75X8xL / 75X8xBL, KM-85X8xL / 75X8xL, XR-85X9xL / 75X9xL, XRM-85X9xL / 75X9xL

PERINGATAN

- Diperlukan dua orang atau lebih (tiga orang atau lebih untuk TV atau Monitor LCD 189,3 cm (75 inci) dan lebih besar) untuk mengangkat TV atau Monitor LCD yang besar (kecuali Mesir). Diperlukan dua orang atau lebih (tiga orang atau lebih untuk TV atau Monitor LCD 75 inci (189,3 cm) dan lebih besar) untuk mengangkat TV atau Monitor LCD yang besar (Mesir saja).



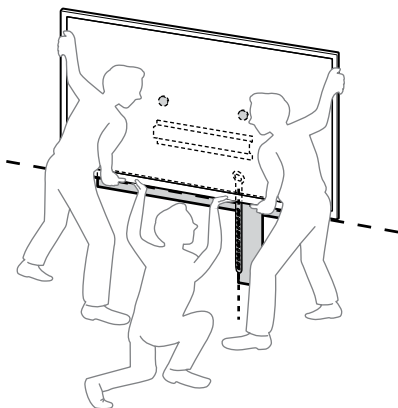
1 Angkat TV atau Monitor LCD.

- Untuk lokasi Puli ② untuk menggantung Alas (20) ① atau Penyesuai Alas ①, lihat "Lokasi pemasangan Penyesuai Alas ①" pada halaman 19.
- Pastikan bagian belakang TV atau Monitor LCD menyentuh Alas (20) ① atau Penyesuai Alas ① ketika memegang TV atau Monitor LCD.

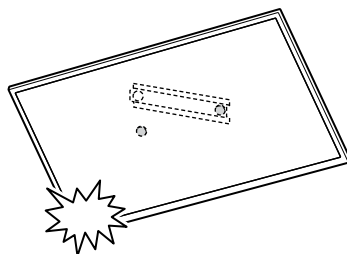
Catatan

- Pegang TV atau Monitor LCD dengan kuat menggunakan kedua tangan, dan pastikan Sabuk ⑤ dan bagian bawah TV atau Monitor LCD sejajar dengan isolasi kertas.

- Diperlukan tiga orang untuk membawa TV atau Monitor LCD, dan orang yang berada di depan TV atau Monitor LCD akan memimpin yang lain untuk menyesuaikan posisinya.

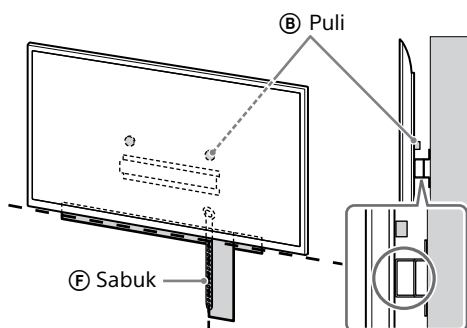


- Lepaskan kedua tangan secara perlahan untuk memastikan TV atau Monitor LCD tidak akan jatuh.



- Setelah memasang TV atau Monitor LCD di dinding, lepas isolasi kertas, dll. dari dinding.

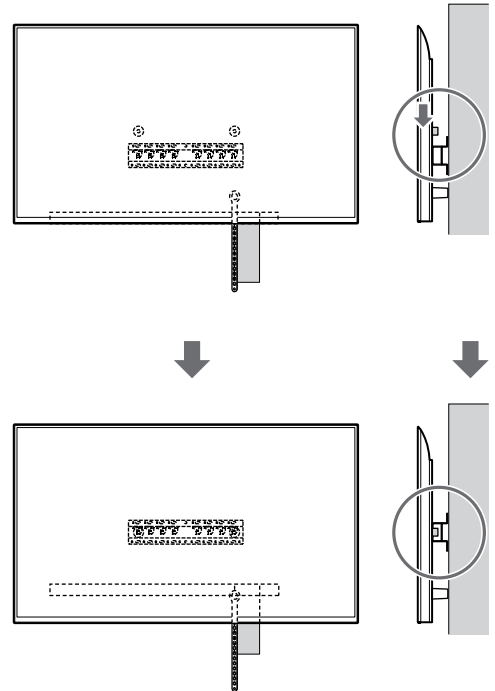
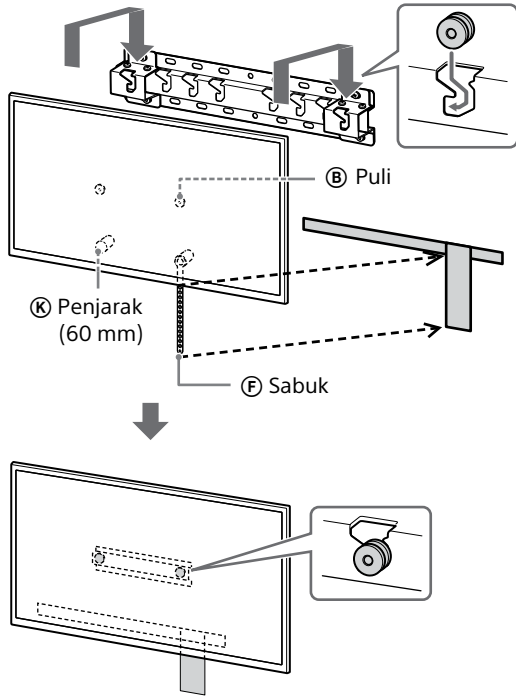
- Sangat berhati-hatilah ketika memasang TV atau Monitor LCD ke dinding, terutama orang yang menopang TV atau Monitor LCD dari bawah, karena TV atau Monitor LCD bisa jatuh, sehingga menyebabkan cedera yang serius pada tubuh atau bahkan kematian.



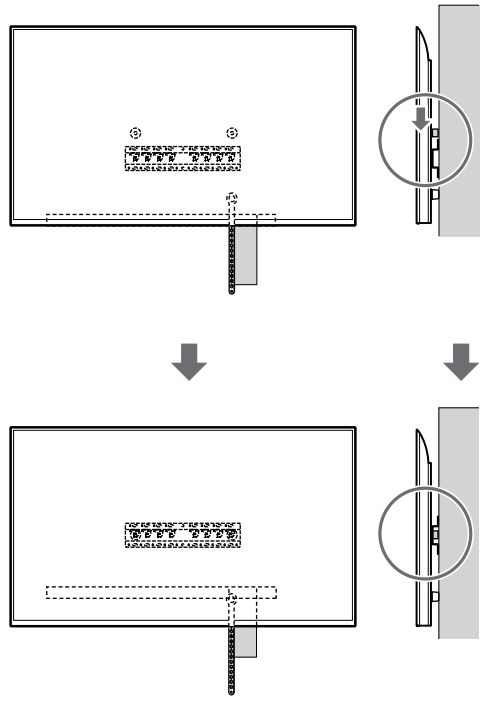
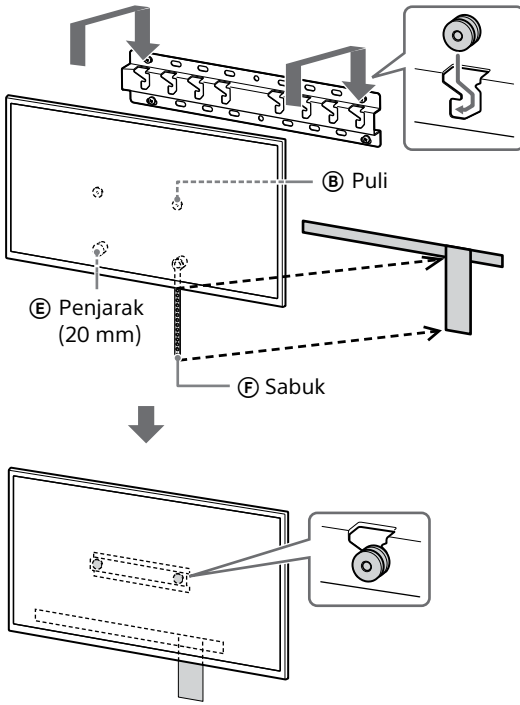
2 Pasang TV atau Monitor LCD ke atas Alas (20) ① atau Penyesuai Alas ①.

- Dengan hati-hati geser TV atau Monitor LCD ke bawah dan gantung Puli ② yang terpasang ke bagian belakang TV atau Monitor LCD ke Alas (20) ① atau Penyesuai Alas ①, sambil memastikan bentuk lubang dikonfirmasi.
- Setelah memasang TV atau Monitor LCD di dinding, konfirmasi bahwa Puli ② terkancing dengan erat ke Alas (20) ① atau Penyesuai Alas ①.

Jika memilih pemasangan standar (2-a):

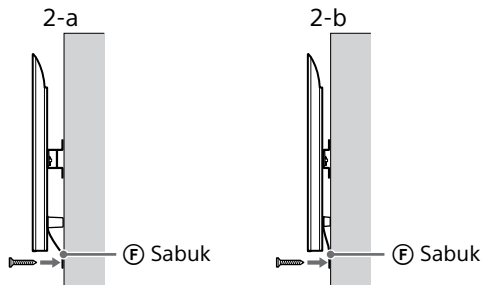


Jika memilih pemasangan ramping (2-b):



3 Mencegah dasar TV atau Monitor LCD bergeser.

- Ambil Sabuk (F) yang kendur dan lekatkan ke dinding dengan kuat.



- Gunakan sekrup berdiameter 5 mm atau setara (tidak disertakan).

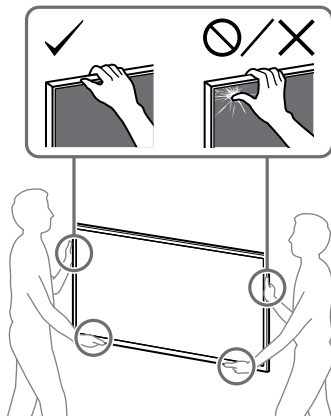
Catatan

- Coba tarik bagian bawah TV atau Monitor LCD sedikit ke arah Anda, untuk memastikan tidak bergerak ke depan. Jika ada gerakan, berarti belum terpasang dengan benar, dan Sabuk (F) harus dikencangkan dengan kuat kembali.

Kecuali KD-85X8xL / 85X8xBL / 75X8xL / 75X8xBL, KM-85X8xL / 75X8xL, XR-85X9xL / 75X9xL, XRM-85X9xL / 75X9xL

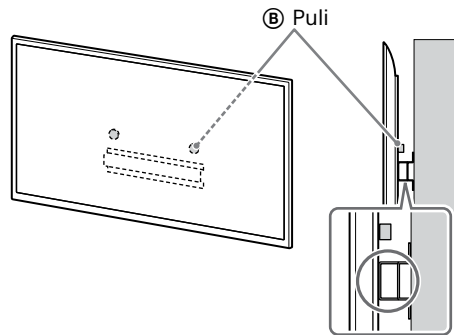
PERINGATAN

- Diperlukan dua orang atau lebih (tiga orang atau lebih untuk TV atau Monitor LCD 189,3 cm (75 inci) dan lebih besar) untuk mengangkat TV atau Monitor LCD yang besar (kecuali Mesir). Diperlukan dua orang atau lebih (tiga orang atau lebih untuk TV atau Monitor LCD 75 inci (189,3 cm) dan lebih besar) untuk mengangkat TV atau Monitor LCD yang besar (Mesir saja).



1 Angkat TV atau Monitor LCD.

- Untuk lokasi Puli (B) untuk menggantung Alas (20) (A) atau Penyesuai Alas (I), lihat "Lokasi pemasangan Penyesuai Alas (I)" pada halaman 19.
- Pastikan bagian belakang TV atau Monitor LCD menyentuh Alas (20) (A) atau Penyesuai Alas (I) ketika memegang TV atau Monitor LCD.

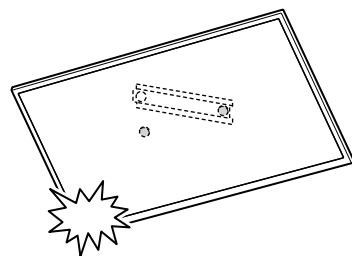


Catatan

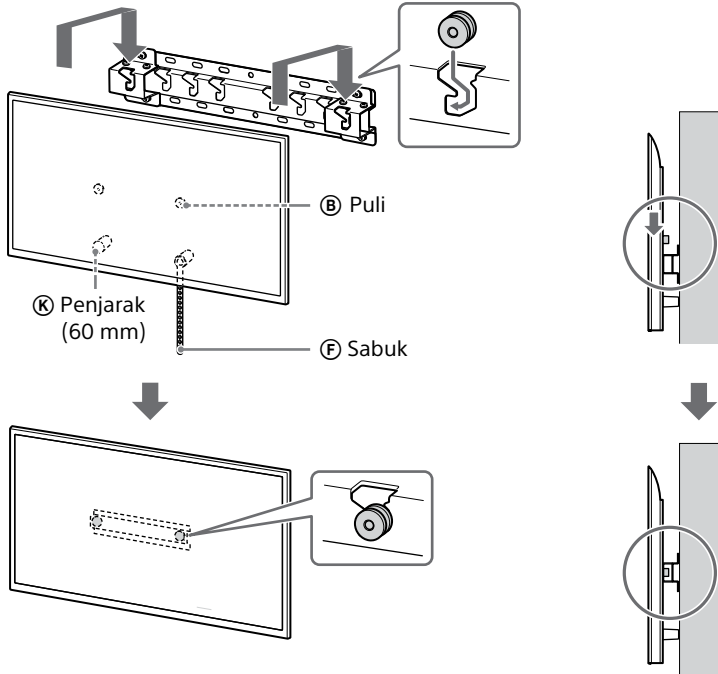
- Pegang TV atau Monitor LCD dengan kuat menggunakan kedua tangan.

2 Pasang TV atau Monitor LCD ke atas Alas (20) (A) atau Penyesuai Alas (I).

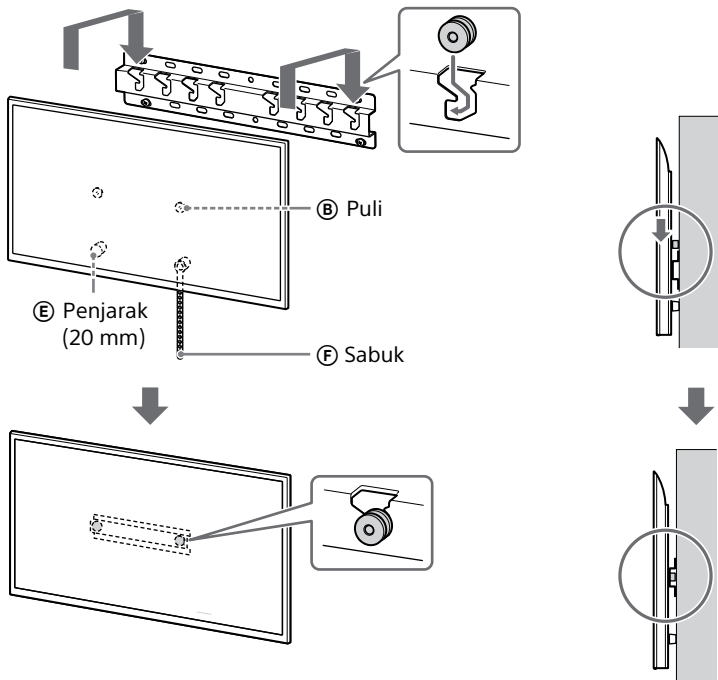
- Dengan hati-hati geser TV atau Monitor LCD ke bawah dan gantung Puli (B) yang terpasang ke bagian belakang TV atau Monitor LCD ke Alas (20) (A) atau Penyesuai Alas (I), sambil memastikan bentuk lubang dikonfirmasi.
- Setelah memasang TV atau Monitor LCD di dinding, konfirmasi bahwa Puli (B) terkancing dengan erat ke Alas (20) (A) atau Penyesuai Alas (I).
- Lepaskan kedua tangan secara perlahan untuk memastikan TV atau Monitor LCD tidak akan jatuh.



Jika memilih pemasangan standar (2-a):

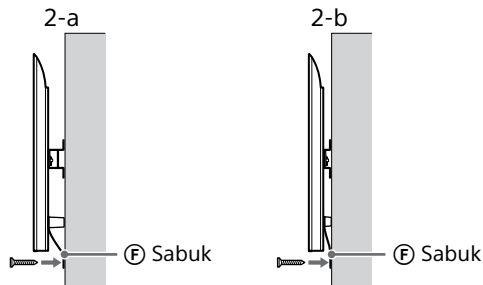


Jika memilih pemasangan ramping (2-b):



3 Mencegah dasar TV atau Monitor LCD bergeser.

- Ambil Sabuk (F) yang kendur dan lekatkan ke dinding dengan kuat.



- Gunakan sekrup berdiameter 5 mm atau setara (tidak disertakan).

Catatan

- Coba tarik bagian bawah TV atau Monitor LCD sedikit ke arah Anda, untuk memastikan tidak bergerak ke depan. Jika ada gerakan, berarti belum terpasang dengan benar, dan Sabuk (F) harus dikencangkan dengan kuat kembali.

Konfirmasikan selesainya pemasangan

Periksa poin-poin berikut ini.

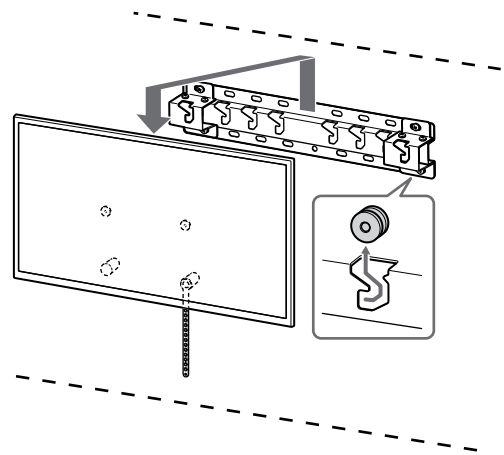
- Puli (B) tergantung dengan erat ke Alas (20) (A) atau Penyesuai Alas (1).
- Kawat dan kabel tidak terpuntir atau terjepit.
- Sabuk (F) kencang dan tidak ada kekenduran.

PERINGATAN

- Penempatan kabel listrik yang tidak benar, dll., dapat menimbulkan kebakaran atau sengatan listrik melalui arus pendek. Pastikan untuk mengonfirmasi selesainya pemasangan demi keselamatan.

Informasi lain

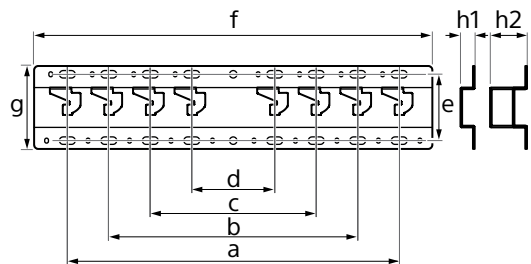
Untuk melepas TV atau Monitor LCD, balik prosedur pemasangan sebelumnya.



PERINGATAN

- Diperlukan dua orang atau lebih (tiga orang atau lebih untuk TV atau Monitor LCD 189,3 cm (75 inci) dan lebih besar) untuk mengangkat TV atau Monitor LCD yang besar (kecuali Mesir). Diperlukan dua orang atau lebih (tiga orang atau lebih untuk TV atau Monitor LCD 75 inci (189,3 cm) dan lebih besar) untuk mengangkat TV atau Monitor LCD yang besar (Mesir saja).

Spesifikasi



Dimensi: (Perkiraan) [mm]

- a : 400
- b : 300
- c : 200
- d : 100
- e : 80
- f : 480
- g : 100

- h1 : 20 (untuk pemasangan ramping, 2-b)
- h2 : 60 (untuk pemasangan standar, 2-a)

Berat (hanya alas): (Perkiraan) [kg]

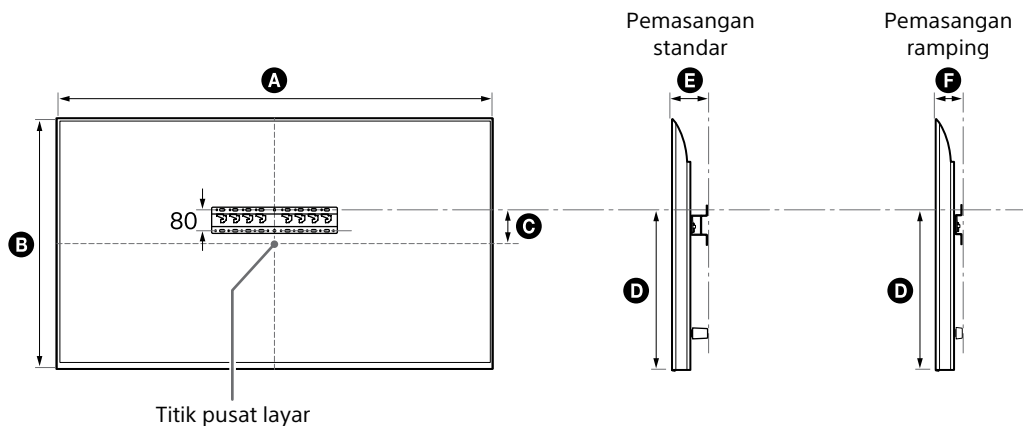
0,8

Rancangan dan spesifikasi ini dapat diubah sewaktu-waktu tanpa pemberitahuan.

Referensi

Pengukuran untuk pemasangan Braket Penyanga Dinding di dinding

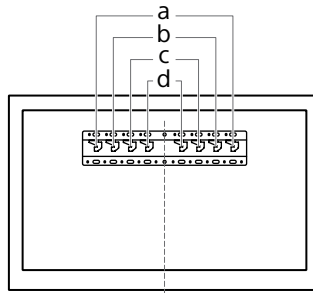
Angka di dalam tabel bisa sedikit berbeda tergantung pada pemasangan.



(mm)

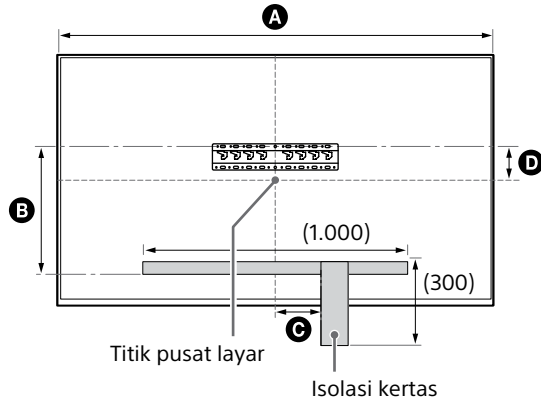
Nama Model	A	B	C	D	E	F
KD-85X81BL / 85X80L KM-85X80L	1.901	1.090	43	592	138	96
XR-85X90L XRM-85X90L	1.891	1.085	58	607	125	83
KD-75X85L KM-75X85L	1.671	960	21	508	123	81
KD-75X81BL / 75X80L KM-75X80L	1.675	962	12	493	137	95
XR-75X90L XRM-75X90L	1.668	959	21	508	123	81
KD-65X85L / 65X85BL KM-65X85L	1.447	832	85	505	123	81
KD-65X81BL / 65X80L KM-65X80L	1.452	836	76	494	135	93
XR-65X90L XRM-65X90L	1.445	831	85	505	123	81
KD-55X85L KM-55X85L	1.228	709	146	505	122	81
KD-55X81BL / 55X80L KM-55X80L	1.233	713	133	494	135	93
XR-55X90L XRM-55X90L	1.225	707	146	505	122	81
KD-50X80L KM-50X80L	1.119	649	63	392	133	91
KD-43X80L KM-43X80L	964	563	111	392	133	91

Lokasi pemasangan Penyesuai Alas ①



Nama Model	Lokasi kait	Nama Model	Lokasi kait
KD-85X81BL / 85X80L KM-85X80L XR-85X90L XRM-85X90L	a	KD-55X85L / 55X81BL / 55X80L KM-55X85L / 55X80L XR-55X90L XRM-55X90L	b
KD-75X85L / 75X81BL / 75X80L KM-75X85L / 75X80L XR-75X90L XRM-75X90L	b	KD-50X80L KM-50X80L	c
KD-65X85L / 65X85BL / 65X81BL / 65X80L KM-65X85L / 65X80L XR-65X90L XRM-65X90L	b	KD-43X80L KM-43X80L	c

Penandaan di dinding untuk lokasi pemasangan TV atau Monitor LCD



(mm)

Nama Model	A	B	C	D
KD-85X81BL / 85X80L KM-85X80L	1.901	472	200	43
XR-85X90L XRM-85X90L	1.891	486	200	58
KD-75X85L KM-75X85L	1.671	388	150	21
KD-75X81BL / 75X80L KM-75X80L	1.675	373	150	12
XR-75X90L XRM-75X90L	1.668	388	150	21

Diimport oleh:

PT SONY INDONESIA
Gedung Wisma GKBI Lt. 23 Suite 2301
Jl. Jend Sudirman No. 28 Tanah Abang, Jakarta Pusat
DKI Jakarta Raya - 10210

<https://www.sony.co.id>

מידע להתקנה לשימוש במתלה קיר (SU-WL450) של Sony

דגמים נתמכים*:

* בשמות הדגמים בפועל, "x"/"xx" מציין מספרים ו/או תווים ספציפיים לכל דגם.

**KD-85X8xL / 85X8xBL / 75X8xL / 75X8xBL / 65X8xL / 65X8xBL / 55X8xL /
55X8xBL / 50X8xL / 43X8xL**

KM-85X8xL / 75X8xL / 65X8xL / 55X8xL / 50X8xL / 43X8xL

XR-85X9xL / 75X9xL / 65X9xL / 55X9xL

XRM-85X9xL / 75X9xL / 65X9xL / 55X9xL

ללקוחות

ההגנה על המוצר ומטעמי בטיחות, Sony ממליצה מאוד שהתקנת הטלוויזיה או צג LCD תבוצע על-ידי סוכנים או קבלנים מורשים של Sony. אל תנסה לבצע את ההתקנה בעצמך.

לסוכני Sony וקבלנים

יש להקפיד על בטיחות מלאה במהלך ההתקנה, פעילויות תחזוקה שגרתיות ובדיקות של המוצר.

נדרשת מומחיות מספקת להתקנת המוצר, בייחוד לצורך קביעת חוזק הקיר לנשיאת משקל הטלוויזיה או צג LCD. יש להקפיד שחיבור המוצר לקיר יבוצע על-ידי סוכני Sony או קבלנים מורשים שלה, ולהקפיד על בטיחות נאותה במהלך ההתקנה. Sony אינה אחראית לנזקים או פגיעות גופניות שנגרמים בשל טיפול שגוי או התקנה לא הולמת.

לשם בטיחות ולהתקנה נכונה, יש לבצע את ההוראות שבמדריך ההתקנה של מתלה הקיר, את ההנחיות שבמדריך ההגדרה להתקנת הטלוויזיה או צג LCD, ואת ההוראות של מדריך זה.

תודה שרכשת מוצר זה.

ללקוחות

התקנת הטלוויזיה או צג LCD על הקיר



נדרשת התקנה מקצועית

רק מתקין מקצועי שהוכשר לקבוע את חוזק הקיר להרכבת משקל הטלוויזיה או צג LCD יכול להתקין מוצר זה. אם הטלוויזיה או צג LCD לא ת/ יאובטח כהלכה במהלך ההתקנה, היא עלולה ליפול ולגרום לחבלה חמורה. Sony אינה אחראית לכל נזק או חבלה שנגרמו בשל טיפול לא נכון או התקנה שגויה, או התקנת כל מוצר אחר שאינו צוין. זכויותיך המעוגנות בחוק (אם קיימות) לא יושפעו.

לספקים של Sony

נדרשת מומחיות על-מנת להתקין מוצר זה. קרא היטב את מדריך ההוראות הזה כדי לבצע את עבודת ההתקנה בבטחה. Sony אינה אחראית לכל נזק או פגיעה שתיגרם כתוצאה מטיפול או התקנה בלתי נאותים. מסור חוברת זו ללקוח לאחר ההתקנה.

מדריך הוראות זה מראה את הטיפול הנכון במוצר ואמצעי זהירות חשובים הנחוצים למניעת תאומות. באחריותך לקרוא ולהבין לעומק את כל ההוראות שבמדריך ההוראות הזה ולבצע אותן. אם לא תעשה זאת ייתכנו חבלות גופניות חמורות או נזק לרכוש, שעלולים לבטל את האחריות. שמור את המדריך לעיון עתידי.

התכנון של מוצרי Sony מתבצע תוך מחשבה על בטיחות. שימוש לא נכון במוצרים עלול לגרום לפגיעה חמורה בעקבות שריפה, התחשמלות, התחפכות המוצר או נפילתו. הקפד על נקיטת אמצעי זהירות למניעת תאונות שכאלה.

זהירות

המוצרים המפורטים

מתלה הקיר מיועד לשימוש רק עם הטלוויזיות המפורסות או צגי LCD. עבור מכשירי הטלוויזיה או צג LCD, עיין במדריך העיון הרלוונטי כדי לאמת שניתן להשתמש במתלה הקיר.

ללקוחות

אזהרה

אי הקפדה על אמצעי הזהירות הבאים עלולה לגרום לפגיעה חמורה או מוות כתוצאה משריפה, התחשמלות או נפילת המוצר.

הקפד שההתקנה תבוצע על-ידי סוכנים מורשים והרחק ילדים בזמן ההתקנה.

התקנה לא נכונה של מתלה הקיר או הטלוויזיה או צג LCD עלולים לגרום לתאונות חבאות. הקפד שההתקנה תבוצע על-ידי קבלנים מורשים.

- הטלוויזיה או צג LCD עלולים ליפול ולגרום לפגיעה חמורה כגון חבורה או שבר.
- אם הקיר שעליו מותקן מתלה הקיר אינו יציב, אינו אחיד או אינו מאונך לרצפה, היחידה עלולה ליפול ולגרום לפגיעה או נזק לרכוש. על הקיר להיות מסוגל לתמוך במשקל של לפחות פי ארבע ממשקל הטלוויזיה או צג LCD.
- עיין במדריך העיון של הטלוויזיה או צג LCD כדי לדעת מה משקלה.
- אם התקנת מתלה הקיר על הקיר אינה מספיק איתנה, היחידה עלולה ליפול ולגרום לפגיעה או נזק לרכוש.

הקפד שהעברת הטלוויזיה או צג LCD או הסרתה תבוצע על-ידי קבלנים מורשים.

אם העברת הטלוויזיה או צג LCD או הסרתה תבוצע על-ידי אנשים שאינם קבלנים מורשים, היא עלולה ליפול ולגרום לפגיעה או נזק לרכוש. שני אנשים או יותר (שלוש אנשים או יותר ל-189 ס"מ (75 אינצ'ים) ומעל זה עבור טלוויזיה או צג LCD) נדרשים כדי להוביל מסך טלוויזיה או צג LCD גדולים (למעט מצרים).

שני אנשים או יותר (שלוש אנשים או יותר ל-189 ס"מ) ומעל זה עבור טלוויזיה או צג LCD) נדרשים כדי להוביל מסך טלוויזיה או צג LCD גדולים (מצרים בלבד).

אל תסיר ברגים וכו' לאחר תליית הטלוויזיה או צג LCD.

אם תעשה כן, הטלוויזיה או צג LCD עלולים ליפול ולגרום לפגיעה או נזק לרכוש.

אל תבצע שינויים לחלקים של מתלה הקיר.

אם תעשה כן, מתלה הקיר עלול ליפול ולגרום לפגיעה או נזק לרכוש.

את תתלה ציוד זולת המוצר המפורט.

מתלה הקיר מיועד לשימוש רק עם המוצר המפורט. אם תתלה ציוד השונה מזה שפורט, הוא עלול ליפול או להישבר ולגרום לפגיעה או נזק לרכוש.

אל תתלה שום עומס זולת הטלוויזיה או צג LCD על מתלה הקיר.

אל תטלטל את הטלוויזיה, או צג LCD שמאלה/ימינה, למעלה/למטה.

אם תעשה כן, הטלוויזיה או צג LCD עלולים ליפול ולגרום לפגיעה או נזק לרכוש.

אל תישען על הטלוויזיה או צג LCD או תתלה ממנה.

אל תישען על הטלוויזיה או צג LCD או תיתלה עליה שכן היא עלולה ליפול עליו ולגרום לפגיעה חמורה.

זהירות

אי הקפדה על אמצעי הזהירות הבאים עלולה להוביל לפגיעה או לנזק לרכוש.

- יש לוודא שאתה מאחסן חלקים לא נחוצים במקום בטוח לשימוש עתידי.
- יש להרחיק אותם מילדים.

אין לטפל המוצר בכוח מופרז במהלך הניקוי או התחזוקה.

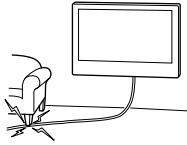
אל תפעיל כוח מופרז על החלק העליון של הטלוויזיה או צג LCD. אם תעשה כן, הטלוויזיה או צג LCD עלולים ליפול ולגרום לפגיעה או לנזק לרכוש.

אמצעי זהירות

- אם תשתמש הטלוויזיה או צג LCD המותקנת על מתלה קישר למשך זמן רב, צבע הקיר מאחורי או מעל לטלוויזיה או צג LCD עלול לשנות את צבעו או שהטפט עלול להתנתק מהקיר, בהתאם לחומר שממנו עשוי הקיר.
- הסרת מתלה הקיר לאחר התקנתו תשאיר חורי ברגים בקיר.
- אין להשתמש במתלה הקיר במקום הנתון לרעידות מכניות.

אל תאפשר לכבל המתח או לכבל המחבר להיצבט.

אם כבל המתח או הכבל המחבר צבויים בין היחידה לבין הקיר או שהם מכופפים או מסובבים בכוח, המוליכים הפנימיים עלולים להיחשף ולגרום לקצר או נתק חשמלי. דבר זה עלול לגרום לשריפה או להתחשמלות.



הברגים הנחוצים לקיבוע מתלה הקיר לקיר אינם מסופקים.

השתמש בברגים המתאימים לחומר שממנו עשוי הקיר בעת התקנת מתלה הקיר.

הקפד להשתמש בברגים ובחלקי החיבור המסופקים בהתאם להוראות הכלולות במדריך הוראות זה. אם תשתמש בחלקים חלופיים, הטלויזיה או צג LCD עלולים ליפול ולגרום לפציעה גופנית או לנזק לרכוש.

הקפד להרכיב כהלכה את הזווית לפי התהליך המתואר במדריך הוראות זה.

אם הברגים יהיו רופפים או ייפלו, הטלויזיה או צג LCD עלולים ליפול ולגרום לפציעה גופנית או לנזק לטלויזיה או צג LCD.

הקפד להדק את הברגים היטב במקומם המיועד.

אם לא תעשה כן, הטלויזיה או צג LCD עלולים ליפול ולגרום לפציעה גופנית או לנזק לטלויזיה או צג LCD.

שים לב לא לזעזע את

הטלויזיה או צג LCD

במהלך ההתקנה.

זעזוע הטלויזיה או צג LCD עלולים לגרום לנפילתה או שבירתה. פעולה זו עלולה לגרום לפציעה.

הקפד להתקין את

הטלויזיה או צג LCD על

קיר מאונך וישר.

אם לא תעשה כן, הטלויזיה או צג LCD עלולה ליפול ולגרום לפציעה.

לאחר התנה נאותה של

הטלויזיה או צג LCD, הדק

היטב את הכבלים.

אם אנשים או עצמים ייתקלו בכבלים, עלולה להיגרם פציעה או עלול להיגרם נזק לטלויזיה או צג LCD.

התקנת מתלה הקיר

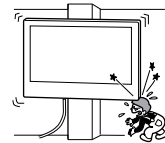
לספקים של Sony

אזהרה

ההוראות הבאות מיועדות לספקי Sony בלבד. הקפד לקרוא את אמצעי הזהירות המתוארים למעלה ושים לב במיוחד לבטיחות במהלך ההתקנה, התחזוקה והבדיקה של מוצר זה.

אל תתקין את מתלה הקיר על משטחי קירות שבהם פינות או צידי הטלויזיה או צג LCD בולטים משטח פני הקיר.

אל תתקין את מתלה הקיר על משטחי קירות כגון עמודים שבהם פינות או צידי הטלויזיה או צג LCD בולטים משטח פני הקיר. פגיעה של אדם או עצם כלשהו בפינה או בצד הבולטים של הטלויזיה או צג LCD, עלולה לגרום לפציעה או לנזק לרכוש.



אל תתקין את הטלויזיה או צג LCD מעל או מתחת למזגן.

אם הטלויזיה או צג LCD ייחשפו לנזילות מים או לזרם אוויר ממוזגן למשך זמן ארוך, עלולה להיגרם שריפה, התחשמלות או תקלה בטלויזיה או צג LCD.

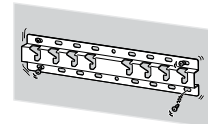
הקפד להתקין היטב את

מתלה הקיר לקיר תוך

הקפדה על ההוראות

שבמדריך ההוראות.

אם הברגים יהיו רופפים או יפלו, מתלה הקיר עלול ליפול ולגרום לפציעה או נזק לרכוש. הקפד להשתמש בברגים המתאימים לחומר שממנו עשוי הקיר והתקן את היחידה היטב באמצעות ארבעה ברגים או יותר בקוטר 8 מ"מ (או שווה ערך).

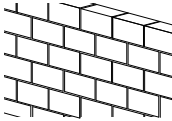


- באיור של מסך הטלוויזיה או של צג ה-LCD במדריך הזה נראות דוגמאות שמטרתן לספק הסברים ברורים בנוגע להפעלה. ולכן האיורים אולי ייראו שונים מהטלוויזיה או צג LCD שברשותך.

ממה עשוי הקיר שלך?

ראשית, בדוק את סוג הקיר עליו תותקן הטלוויזיה או צג LCD.

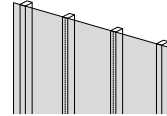
בטון או בלוקים עשויים בטון



אמצעי זהירות

- התקן את מתלה הקיר ישירות על קיר הבטון.
- ודא שעובי קיר הבטון הוא לפחות 203 מ"מ.
- ודא שגודל כל אחד מבלוקי הבטון הוא לפחות 203 מ"מ x 203 מ"מ x 406 מ"מ.

קיר גבס עם קורות תומכות






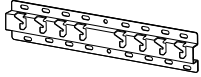





אמצעי זהירות

- עובי מרבי של קיר הגבס: 16 מ"מ.
- ודא שהגודל הפנימי של קורת העץ הוא לפחות 51 מ"מ x 102 מ"מ בפועל או 38 מ"מ x 89 מ"מ נומינלי.






בדיקת החלקים

פריטים המסופקים עם דגם SU-WL450

• ודא שכל החלקים נמצאים.

<p>Ⓔ מרווח (20 מ"מ) (×2)</p> 	<p>Ⓒ בורג (+PSW 6 × 20) (×4)</p> 	<p>Ⓑ גלגלת (×2)</p> 	<p>Ⓐ בסיס (20) (×1)</p> 
<p>Ⓚ מרווח (60 מ"מ) (×2)</p> 	<p>Ⓙ בורג (+PSW 4 × 10) (×8)</p> 	<p>Ⓛ מתאם בסיס (×2)</p> 	<p>ⓕ רצועה (×1)</p> 
			<p>Ⓛ בורג (+PSW 6 × 50) (×2)</p> 

• יתכן ואין צורך להשתמש בחלקים האלה עבור הדגם שלך.

<p>Ⓜ תותב (M4) (×2)</p> 	<p>Ⓢ בורג (+PSW 4 × 20) (×2)</p> 	<p>Ⓒ תותב (M4) (20) (×2)</p> 	<p>Ⓣ בורג (+PSW 4 × 20) עם תותב (×2)</p> 
			<p>Ⓝ בורג (+PSW 4 × 50) (×2)</p> 

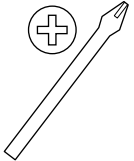
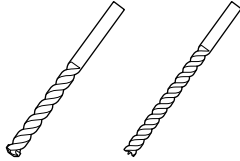

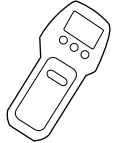
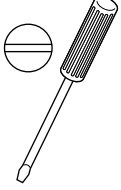
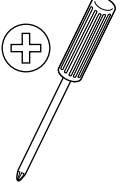
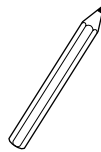




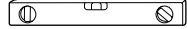

פריטים המסופקים עם הטלויזיה או צג LCD

<p>ⓋⓈ חיבור מתלה הקיר (×4)*</p> 

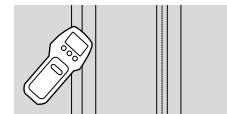
* רק באזורים/במדינות/בדגמים מסוימים.

הכנה להתקנה

- לפני ההתקנה, וודא שיש לידך את מדריך העיון של הטלויזיה או צג LCD ואת מדריך ההגדרה להתקנת הטלויזיה או צג LCD.
- ודא את מיקום ההתקנה של הטלויזיה או צג LCD שלך.
- הכן ארבעה ברגים או יותר בקוטר 8 מ"מ ובורג אחד בקוטר 5 מ"מ או שווה ערך (לא מסופקים). בחר ברגים המתאימים לחומר שממנו עשוי הקיר.
- נא להכין את הכלים הבאים:

	 <p>10 מ"מ 5.5 מ"מ</p>		 <p>1*</p>
 <p>3*</p> <p>1.5 ניוטון מטר { 15 קג"כ ס"מ }</p>	 <p>1.5 ניוטון מטר { 15 קג"כ ס"מ }</p>		 <p>2*</p>
 <p>5 מ"מ</p>	 <p>(x4) 8 מ"מ × 60 מ"מ</p>	 <p>(x4)</p> <p>2*</p>	
			 <p>4*</p>

1* אך ורק לקירות גבס עם קורות תומכות



2* אך ורק לקיר בטון או קיר בלוקים עשויים בטון

3* בהתאם לדגמים

4* עבור טלויזיה או צג LCD בגודל 189.3 ס"מ (75 אינץ') או יותר (למעט מצרים)

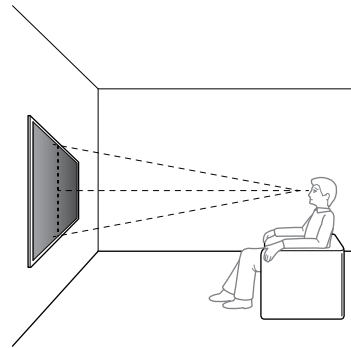
4* עבור טלויזיה או צג LCD בגודל 75 אינץ' (189.3 ס"מ) או יותר (מצרים בלבד)

התקנת מתלה הקיר על הקיר

- 1 החלט על מיקום ההתקנה.
ודא שיש על הקיר מספיק מקום לאכלוס הטלוויזיה או צג LCD ושבאפשרותו לתמוך במשקל של לפחות פי ארבעה של הטלוויזיה או צג LCD.
לקבלת פרטי המשקל של הטלוויזיה או צג LCD, עיין במדריך העיון.

הערה

- כאשר הטלוויזיה או צג LCD מותקנת על הקיר, החלק העליון שלה נוטה מעט לפנים.
- אנחנו ממליצים לבדוק את מיקום הטלוויזיה או צג LCD בסביבת הצפייה.



- 2 נא לבחור את סוג ההתקנה על הקיר

כפי שמוצג להלן.

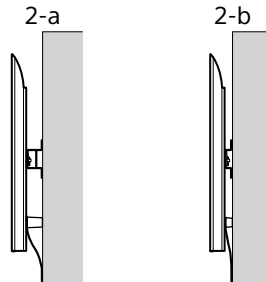
2-a: תלייה רגילה

2-b: תלייה צרה

- נא לעיין ב-"מדידה להתקנת מתלה הקיר" בעמוד 18.

אזהרה

- כאשר בוחרים 2-b, הגישה לשקעים האחוריים תהיה מוגבלת.



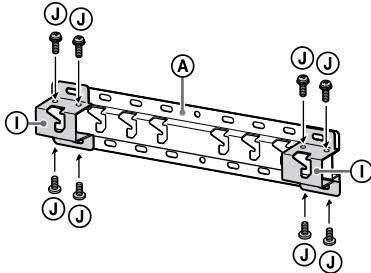
- 3 אם בוחרים בתלייה רגילה (2-a):

חברו את מתאם הבסיס ①

באמצעות בורג (+PSW 4 x 10) ②

לבסיס (20) ③.

- נא לעיין ב-"מיקום החיבור של מתאם הבסיס ①" בעמוד 19.



למשל, חיבור מתאם הבסיס ① במיקום "a"

- אם בוחרים בתלייה צרה (2-b):

דלגו על השלב הזה.

- 4 החלט על מיקום הברגים להתקנת

הבסיס (20) ③.

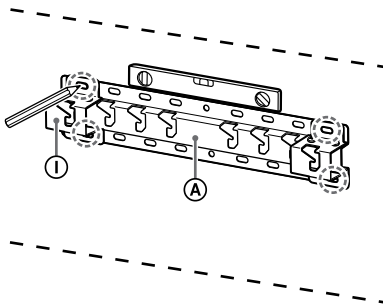
- נא לעיין ב-"מפרט" בעמוד 17.

אזהרה

- קבע את חוזק הקיר שעליו תותקן הטלוויזיה או צג LCD. במקרה הצורך, חזק את הקיר.
- הקיר שעליו תותקן הטלוויזיה או צג LCD חייב להיות מסוגל לשאת משקל הגדול לפחות פי ארבע מזה של הטלוויזיה או צג LCD. (עיין במדריך העיון של הטלוויזיה או צג LCD כדי לדעת מה משקלה.)

- אם בוחרים בתלייה רגילה (2-a):

השתמשו במיקומי החורים במתאם הבסיס ①.



למשל, סימון במיקום "a" כדי לחבר את הבסיס (20) ③

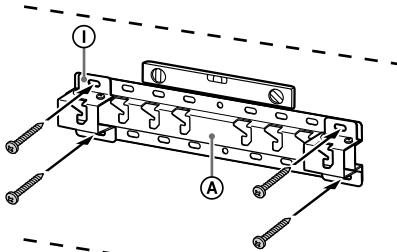
6 התקן את הבסיס (20) על הקיר באמצעות ברגים מתאימים (לא מסופקים).

הערה

- השתמש בארבעה ברגים או יותר בקוטר 8 מ"מ או שווה ערך (לא מסופקים).
- יש להשתמש בפלס כדי לבדוק אם הבסיס (20) מפולס.

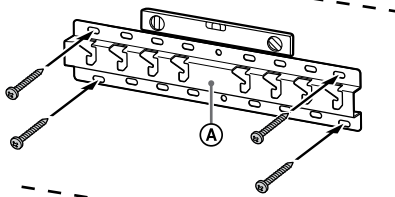
אם בוחרים בתלייה רגילה (2-a):

הברג את ארבעת הברגים לחורים שבמתאם הבסיס 1 אל בסיס (20) A.



למשל, חיבור הבסיס (20) במיקום "a"

אם בוחרים בתלייה צרה (2-b):

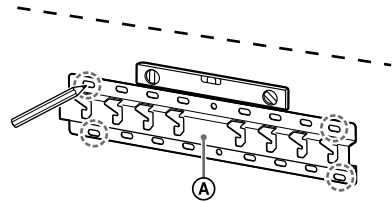


למשל, חיבור הבסיס (20) במיקום "a"

KD-85X8xL / 85X8xBL / 75X8xL / 75X8xBL,
KM-85X8xL / 75X8xL,
XR-85X9xL / 75X9xL,
XRM-85X9xL / 75X9xL בלבד

- סמן את מיקום ההתקנה על הקיר. השתמש בנייר דבק וכדומה (לא מסופק) כדי לסמן את מיקום הטלוויזיה או צג LCD לבד הבסיס (20) A או ליד מתאם הבסיס 1.
- נא לעיין ב-"אביזר לסימון הקיר לצורך מיקום ההתקנה של טלוויזיה או צג LCD" בעמוד 20.

אם בוחרים בתלייה צרה (2-b):

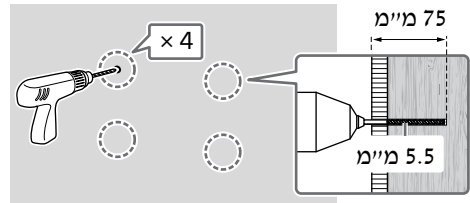


למשל, סימון במיקום "a" כדי לחבר את הבסיס (20) A

5 יש לקדוח חורים ראשוניים בסימונים.

ודא שהמיקום על הקיר לקידוח החורים הוא חזק מספיק כדי לשאת לפחות ארבע פעמים את משקל הטלוויזיה או צג LCD.

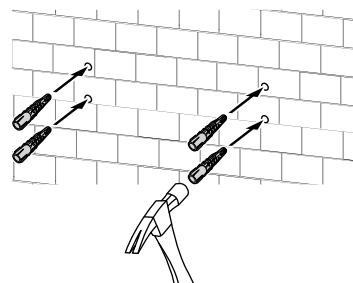
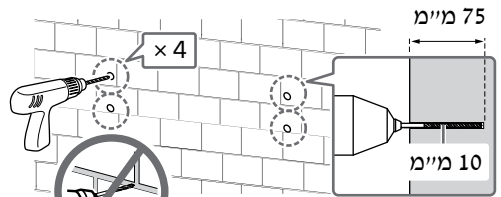
הברגה לקירות גבס עם קורות תומכות:



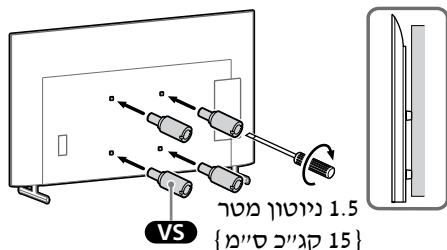
הערה

- יש לקדוח חורים מובילים בעומק של 75 מ"מ, בעזרת ראש מקדח 5.5 מ"מ.

הברגה לקיר בטון או קיר בלוקים עשויים בטון:



3 חבר את חיבור מתלה הקיר **VS** (סופק עם הטלויזיה או צג ה-LCD) אל החלק האחורי של הטלויזיה או צג ה-LCD (כדי שתהיה מקבילה לקיר).



הערה

- הקפד להדק את חיבור מתלה הקיר **VS** כאשר מחברים אותו לטלויזיה או לצג ה-LCD. יש להשתמש רק במברג בעל ראש שטוח להתקנת חיבור מתלה הקיר **VS**. שימוש בכלי אחר עלול לגרום להידוק יתר של חיבור מתלה הקיר **VS** ולגרום נזק לטלויזיה או לצג ה-LCD.

4 חבר את רכיבי החיבור של מתלה הקיר. נא לבדוק את חלקי אביזר התלייה תוך התייחסות ל-"פריטים המסופקים עם דגם SU-WL450" ב-"בדיקת החלקים" בעמוד 6.

הערה

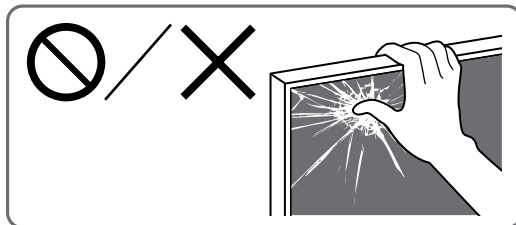
- קבע את הרכיבים המוצמדים באופן מאובטח באמצעות ברגים.
- בעת שימוש במברג חשמלי, קבע את ההגדרה של מומנט הפיתול לכ-1.5 ניוטון מטר {15 קג״כ ס״מ}.

מלבד KD-85X8xL / 85X8xBL / 75X8xL / 75X8xBL, KM-85X8xL / 75X8xL, XR-85X9xL / 75X9xL, XRM-85X9xL / 75X9xL דלגו על השלב הזה.

הכנה להתקנת הטלויזיה או צג LCD

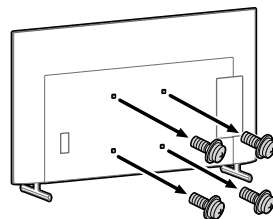
הערה

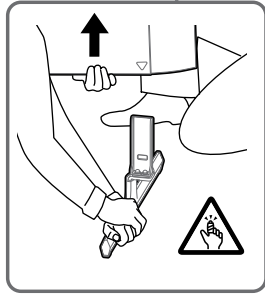
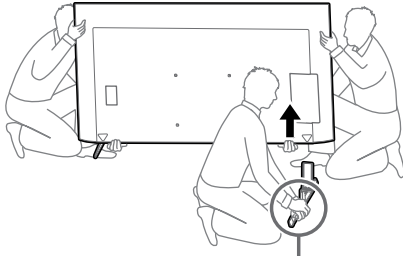
- ודא שאתה מאחסן את ברגים שהוסרו וחלקים בהם לא השתמשת במקום בטוח, הרחק מהישג ידם של ילדים.



1 חבר את המעמד השולחני לטלויזיה או לצג ה-LCD כדי שהמסך יעמוד. עיין במדריך ההגדרה של הטלויזיה או של צג ה-LCD.

2 הסר את הברגים מהחלק האחורי של הטלויזיה או צג ה-LCD.

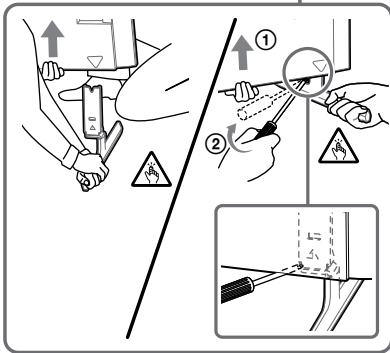
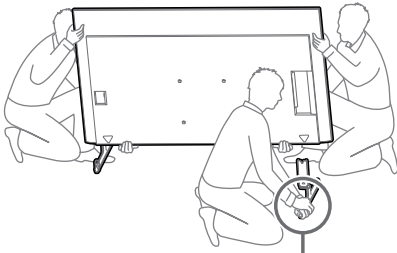




- חזור על השלב הקודם והסר את הצד השני של המעמד השולחני.

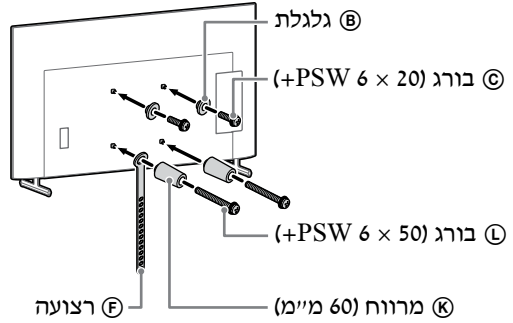
KD-75X85L / 65X85L / 65X85BL / 55X85L, KM-75X85L / 65X85L / 55X85L
בלבד

- הסר צד אחד של המעמד השולחני בכל עת. החזק את המעמד השולחני ביציבות ובצורה מאובטחת בשתי הידיים בזמן שהאנשים האחרים מרימים את הטלוויזיה או צג LCD.

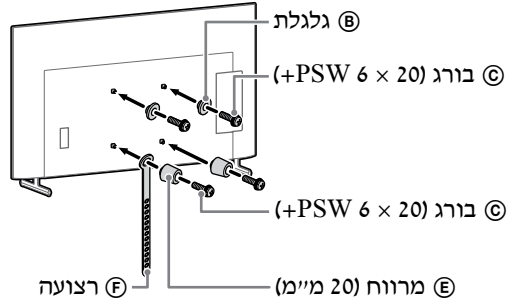


- חזור על השלב הקודם והסר את הצד השני של המעמד השולחני.

אם בוחרים בתלייה רגילה (2-a):



אם בוחרים בתלייה צרה (2-b):



5 חבר את הכבלים הנחוצים

הטלוויזיה או צג LCD.

הקפד לחבר את הכבלים לפני התקנת הטלוויזיה או צג LCD על-גבי הקיר. לא תוכל לנתק את הכבלים כאשר הטלוויזיה או צג LCD מותקנת.

הערה

- הקפד שניתוב הכבלים בקיר יתבצע על-ידי קבלנים מורשים.
- אסוף את כבלי החיבור יחד כדי לא לדרוך עליהם לפני התלייה על מתלה הקיר.

6 נתק את המעמד השולחני מן

הטלוויזיה או צג LCD.

באיור הבא מופיעה דוגמה לתפעול המכשיר.

מלבד / KD-75X85L / 65X85L / 65X85BL / 55X85L, KM-75X85L / 65X85L / 55X85L, XR-85X90L / 75X90L / 65X90L / 55X90L, XRM-85X90L / 75X90L / 65X90L / 55X90L

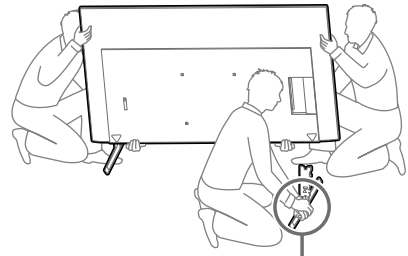
- הסר צד אחד של המעמד השולחני בכל עת. החזק את המעמד השולחני ביציבות ובצורה מאובטחת בשתי הידיים בזמן שהאנשים האחרים מרימים את הטלוויזיה או צג LCD.

התקנת הטלויזיה או צג LCD על-גבי הקיר

XR-85X90L / 75X90L / 65X90L /
55X90L, XRM-85X90L / 75X90L /
65X90L / 55X90L בלבד

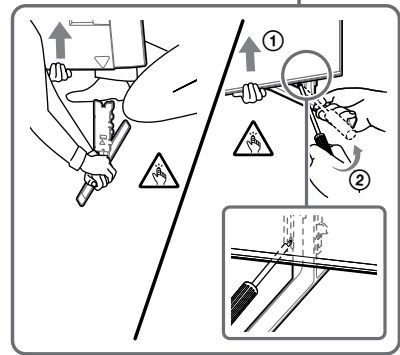
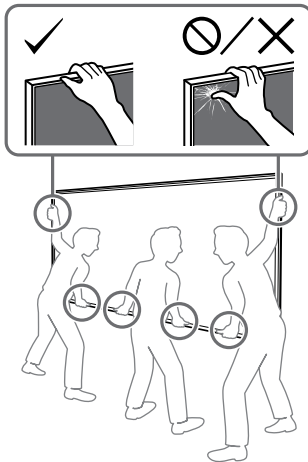
**KD-85X8xL / 85X8xBL /
75X8xL / 75X8xBL, KM-85X8xL /
75X8xL, XR-85X9xL / 75X9xL,
XRM-85X9xL / 75X9xL בלבד**

- הסר צד אחד של המעמד השולחני בכל עת. החזק את המעמד השולחני ביציבות ובצורה מאובטחת בשתי הידיים בזמן שהאנשים האחרים מרימים את הטלויזיה או צג LCD.



אזהרה

- שני אנשים או יותר (שלוש אנשים או יותר ל-189.3 ס"מ 75 אינצ'ים) ומעל זה עבור טלויזיה או צג LCD נדרשים כדי להוביל מסך טלויזיה או LCD גדולים (למעט מצרים). שני אנשים או יותר (שלוש אנשים או יותר ל-75 אינצ'ים 189.3 ס"מ) ומעל זה עבור טלויזיה או צג LCD נדרשים כדי להוביל מסך טלויזיה או LCD גדולים (מצרים בלבד).



- חזור על השלב הקודם והסר את הצד השני של המעמד השולחני.

הערה

- כדי לנתק את המעמד השולחני יש צורך בשלושה אנשים או יותר.
- היזהר שלא להשתמש בכוח מופרז בעת ניתוק המעמד השולחני מטלויזיה או צג LCD מאחר והדבר עלול לגרום לטלויזיה או צג LCD ליפול ולגרום לפציעה גופנית או לנזק פיזי לטלויזיה או צג LCD.
- נקוט במשנה זהירות בעט הטיפול במעמד השולחני כדי למנוע נזק לטלויזיה או צג LCD.
- היזהר בעת הרמת הטלויזיה או צג LCD כאשר המעמד השולחני מנותק, המעמד השולחני עלול ליפול ולגרום לפציעה גופנית.
- שים-לב בעת הסרת המעמד השולחני הטלויזיה או צג LCD כדי למנוע את נפילתו, שכן, הדבר עלול לגרום נזק לפני השטח שעליו מונחת הטלויזיה או צג LCD.

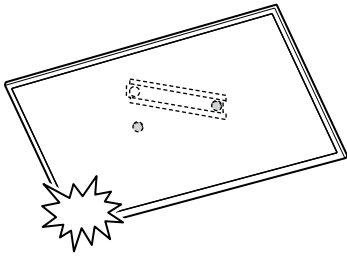
1 הרם את הטלויזיה או צג LCD.

- לאיתור הגלגלות ⓑ לתלייה על הבסיס (20) א או על מתאם הבסיס ①, נא לעיין ב-"מיקום החיבור של מתאם הבסיס ①" בעמוד 19.
- ודא שגב הטלויזיה או צג LCD נוגע בבסיס (20) א או במתאם הבסיס ① בעת נשיאת הטלויזיה או צג LCD.

הערה

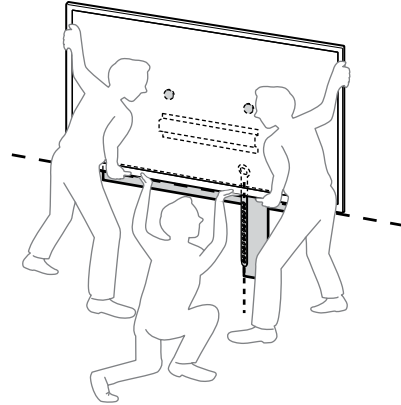
- החזק את הטלויזיה או צג LCD בצורה מאובטחת בשתי ידיך וודא שרצועה ⓐ והחלק התחתון של הטלויזיה או צג LCD תואמים לסימון הנייר הדביק.

- שחרר את שתי ידיך באיטיות כדי לוודא שטלוויזיה או צג LCD לא נופלת.

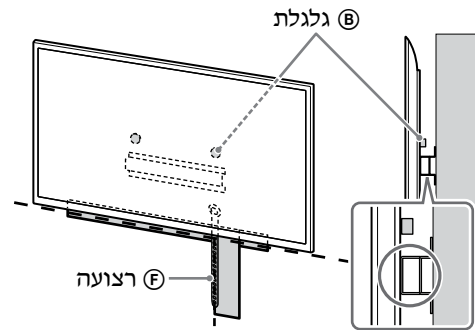


- לאחר התקנת הטלוויזיה או צג LCD על הקיר, הסר את נייר הדבק וכדומה, מהקיר.

- שא את הטלוויזיה או צג LCD ביחד עם שלושה אנשים ואדם נוסף שיעמוד מול הטלוויזיה או צג LCD ויכוון את האחרים למיקום הנכון.



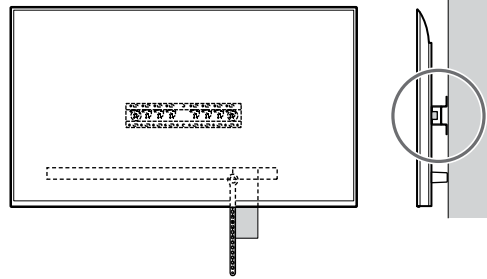
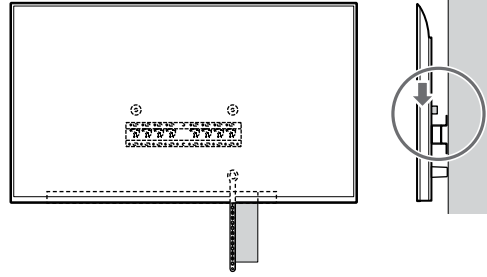
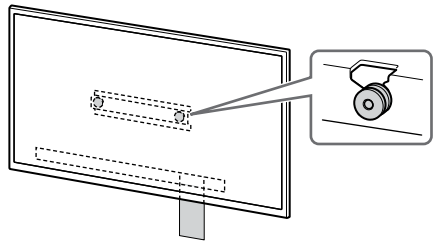
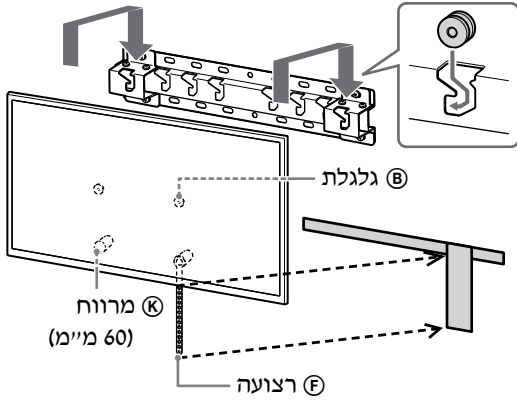
- יש לנהוג במשנה זהירות בעת התקנת הטלוויזיה או צג LCD על הקיר, במיוחד האדם התומך בטלוויזיה או צג LCD מלמטה, הטלוויזיה או צג LCD עלולה ליפול ולגרום לפציעה גופנית חמורה ואף למוות.



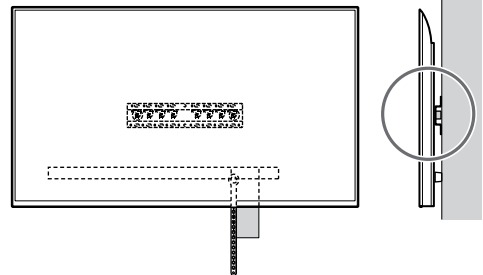
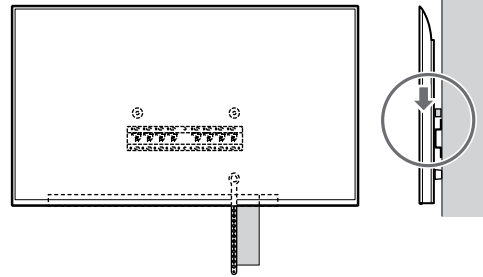
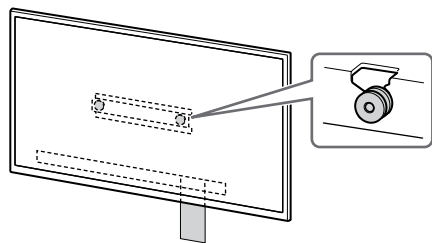
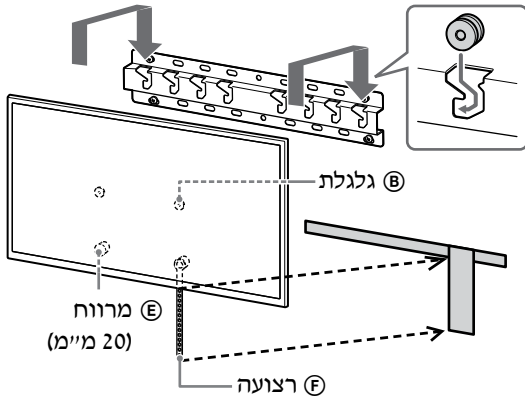
2 התקן את הטלוויזיה או צג LCD על הבסיס (20) A או על מתאם הבסיס

1. החלק בעדינות למטה של הטלוויזיה או צג ה-LCD והחזק את המושכות B שמוצמדות לחלק האחורי של הטלוויזיה או צג ה-LCD לבסיס (20) A או מתאם בסיס 1, תוך הקפדה על בדיקת צורת החורים.
- לאחר התקנת הטלוויזיה או צג ה-LCD על הקיר, יש לוודא שהגלגלות B מחוברות היטב לבסיס (20) A או למתאם הבסיס 1.

אם בוחרים בתלייה רגילה : (2-a)

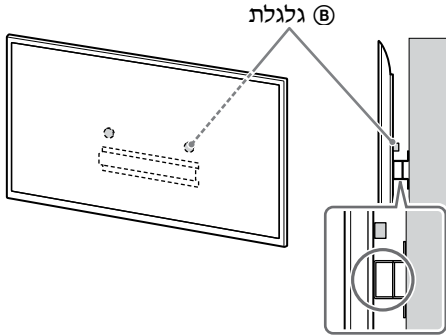


אם בוחרים בתלייה צרה : (2-b)



1 הרם את הטלוויזיה או צג LCD.

- לאיתור הגלגלות ⓑ לתלייה על הבסיס (20) Ⓐ או על מתאם הבסיס ①, נא לעיין ב-"מיקום החיבור של מתאם הבסיס ①" בעמוד 19.
- ודא שגב הטלוויזיה או צג LCD נוגע בבסיס (20) Ⓐ או במתאם הבסיס ① בעת נשיאת הטלוויזיה או צג LCD.



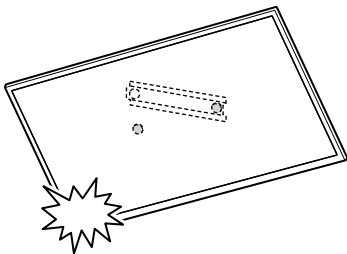
הערה

- החזק את הטלוויזיה או צג LCD בקפידה בשתי הידיים.

2 התקן את הטלוויזיה או צג LCD על

הבסיס (20) Ⓐ או על מתאם הבסיס ①.

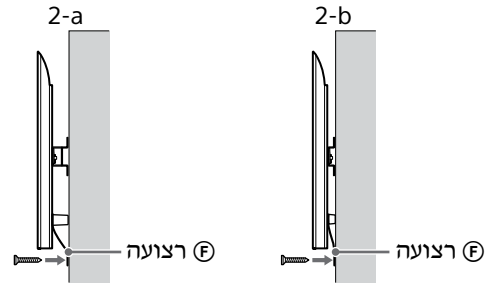
- החלק בעדינות למטה של הטלוויזיה או צג LCD והחזק את המושכות ⓑ שמוצמדות לחלק האחורי של הטלוויזיה או צג LCD לבסיס (20) Ⓐ או מתאם בסיס ①, תוך הקפדה על בדיקת צורת החורים.
- לאחר התקנת הטלוויזיה או צג LCD על הקיר, יש לוודא שהגלגלות ⓑ מחוברות היטב לבסיס (20) Ⓐ או למתאם הבסיס ①.
- שחרר את שתי ידיך באיטיות כדי לוודא שטלוויזיה או צג LCD לא נופלת.



3 מניעת תזוזה של תחתית הטלוויזיה

או צג LCD.

- הרם את יתרת הרצועה ⓕ וחבר אותה לקיר בחוזקה.



- השתמש בבורג בקוטר 5 מ"מ או שווה ערך (לא מסופק).

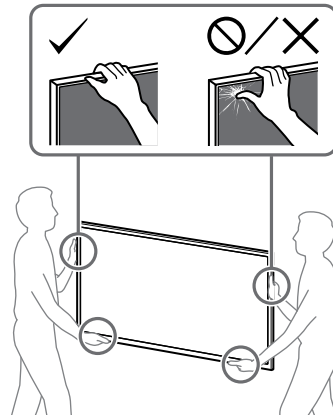
הערה

- נסה למשוך קלות את תחתית הטלוויזיה או צג LCD אליך על-מנת לוודא שהיא לא נעה קדימה. אם ישנה תנועה כלשהי, אז היא אינה מורכבת נכון, ויש לחזק שוב את הרצועה ⓕ.

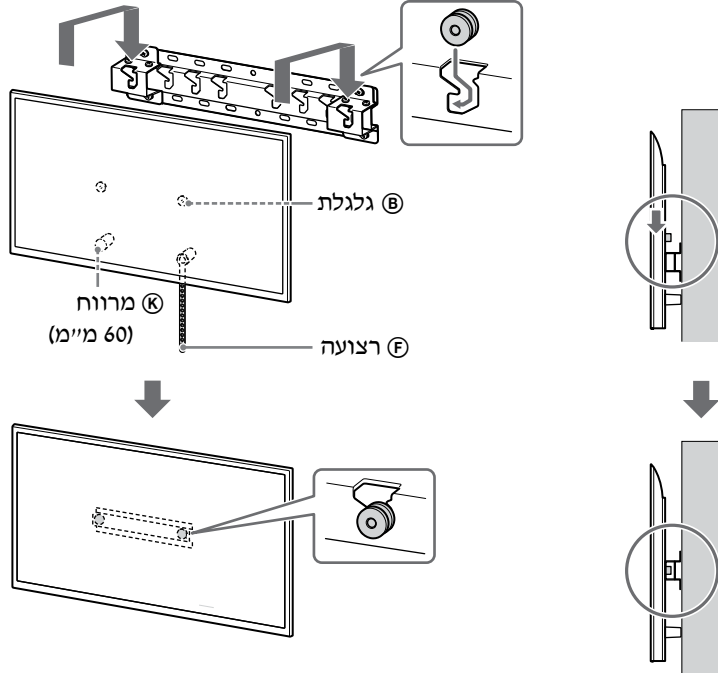
מלבד KD-85X8xL / 85X8xBL / 75X8xL / 75X8xBL, KM-85X8xL / 75X8xL, XR-85X9xL / 75X9xL, XRM-85X9xL / 75X9xL

אזהרה

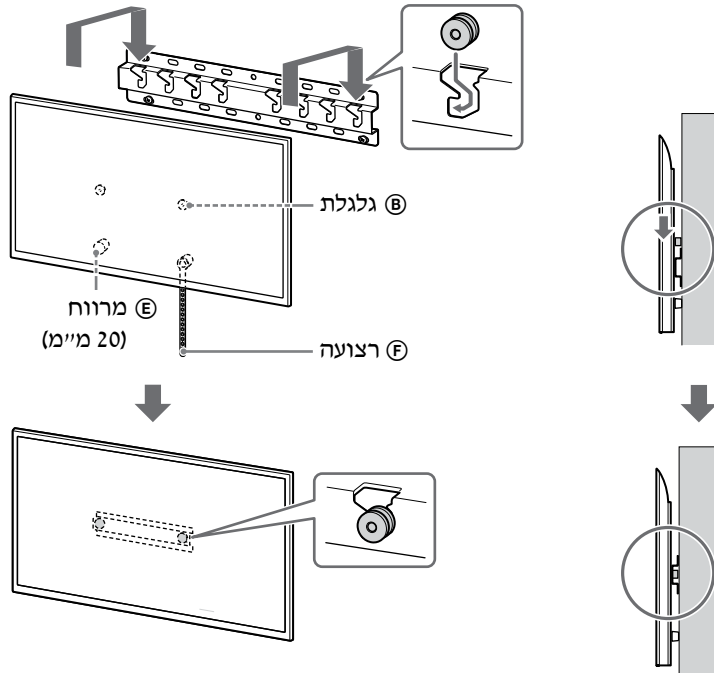
- שני אנשים או יותר (שלוש אנשים או יותר ל-189.3 ס"מ (75 אינצ'ים) ומעל זה עבור טלוויזיה או צג LCD) נדרשים כדי להוביל מסך טלוויזיה או LCD גדולים (למעט מצרים). שני אנשים או יותר (שלוש אנשים או יותר ל-75 אינצ'ים (189.3 ס"מ) ומעל זה עבור טלוויזיה או צג LCD) נדרשים כדי להוביל מסך טלוויזיה או LCD גדולים (מצרים בלבד).



אם בוחרים בתלייה רגילה (2-a):



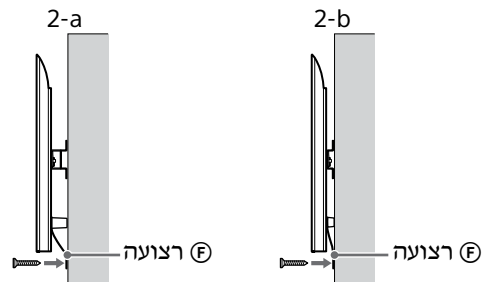
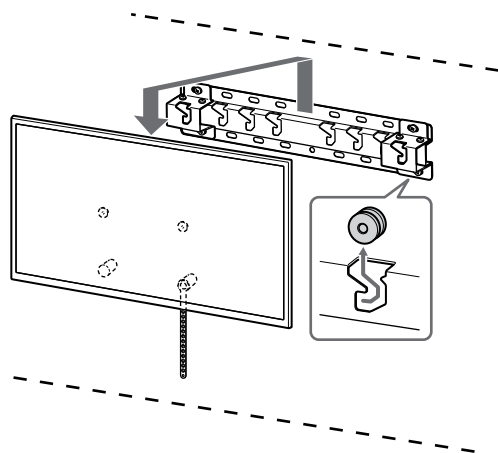
אם בוחרים בתלייה צרה (2-b):



3 מניעת תזוזה של תחתית הטלויזיה

או צג LCD.

- הרם את יתרת הרצועה ⑥ וחבר אותה לקיר בחוזקה.



- השתמש בבורג בקוטר 5 מ"מ או שווה ערך (לא מסופק).

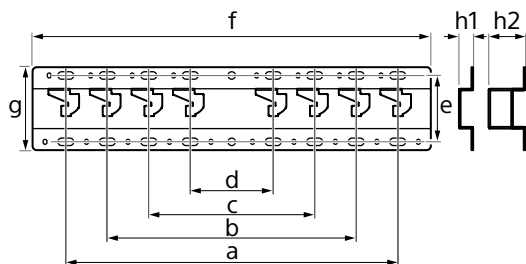
אזהרה

- שני אנשים או יותר (שלוש אנשים או יותר ל-189.3 ס"מ 75 אינצ'ים) ומעל זה עבור טלויזיה או צג LCD נדרשים כדי להוביל מסך טלויזיה או LCD גדולים (למעט מצרים). שני אנשים או יותר (שלוש אנשים או יותר ל-75 אינצ'ים 189.3 ס"מ) ומעל זה עבור טלויזיה או צג LCD נדרשים כדי להוביל מסך טלויזיה או LCD גדולים (מצרים בלבד).

הערה

- נסה למשוך קלות את תחתית הטלויזיה או צג LCD אליך על-מנת לוודא שהיא לא נעה קדימה. אם ישנה תנועה כלשהי, אז היא אינה מורכבת נכון, ויש לחזק שוב את הרצועה ⑥.

מפרט



מידות: (בערך) [מ"מ]

400	: a
300	: b
200	: c
100	: d
80	: e
480	: f
100	: g

h1 : 20 (לתלייה צרה, 2-b)

h2 : 60 (לתלייה רגילה, 2-a)

משקל (בסיס בלבד): (בערך) [ק"ג]

0.8

העיצוב והמפרטים עשויים להשתנות ללא הודעה מוקדמת.

אישור השלמת ההתקנה

בדוק את הנקודות הבעות.

- הגלגלות ② תלויות היטב על הבסיס (20) ① או על מתאם הבסיס ①.
- הכבל לא מסובב או צבוט.
- הרצועה ⑥ מהודקת ללא חופש.

אזהרה

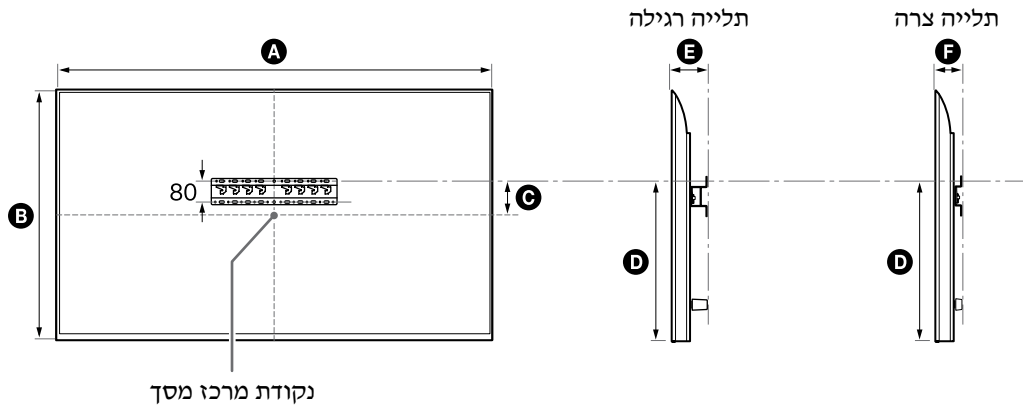
- מיקום לא נכון של כבל המתח וכו' עלול לגרום לשריפה או התחשמלות כתוצאה מקצר. הקפד להשלים את ההתקנה למען הבטיחות.

מידע אחר

בעת הסרת הטלויזיה או צג LCD, בצע את תהליך ההתקנה במהופך.

סימוכין

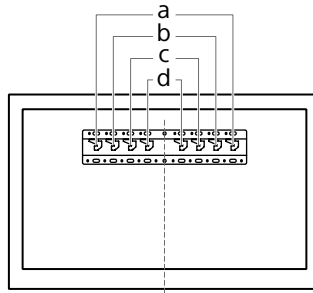
מדידה להתקנת מתלה הקיר
הנתונים בטבלה עשויים להשתנות במקצת בהתאם להתקנה.



(מ"מ)

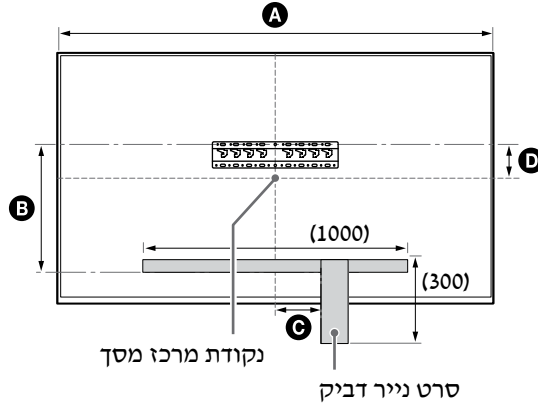
שם דגם	A	B	C	D	E	F
KD-85X81BL / 85X80L KM-85X80L	1901	1090	43	592	138	96
XR-85X90L XRM-85X90L	1891	1085	58	607	125	83
KD-75X85L KM-75X85L	1671	960	21	508	123	81
KD-75X81BL / 75X80L KM-75X80L	1675	962	12	493	137	95
XR-75X90L XRM-75X90L	1668	959	21	508	123	81
KD-65X85L / 65X85BL KM-65X85L	1447	832	85	505	123	81
KD-65X81BL / 65X80L KM-65X80L	1452	836	76	494	135	93
XR-65X90L XRM-65X90L	1445	831	85	505	123	81
KD-55X85L KM-55X85L	1228	709	146	505	122	81
KD-55X81BL / 55X80L KM-55X80L	1233	713	133	494	135	93
XR-55X90L XRM-55X90L	1225	707	146	505	122	81
KD-50X80L KM-50X80L	1119	649	63	392	133	91
KD-43X80L KM-43X80L	964	563	111	392	133	91

① מיקום החיבור של מתאם הבסיס



מיקום הוו	שם דגם	מיקום הוו	שם דגם
b	KD-55X85L / 55X81BL / 55X80L KM-55X85L / 55X80L XR-55X90L XRM-55X90L	a	KD-85X81BL / 85X80L
			KM-85X80L
			XR-85X90L
			XRM-85X90L
			<hr/>
c	KD-50X80L KM-50X80L	b	KD-75X85L / 75X81BL / 75X80L
			KM-75X85L / 75X80L
			XR-75X90L XRM-75X90L
c	KD-43X80L KM-43X80L	b	KD-65X85L / 65X85BL / 65X81BL / 65X80L
			KM-65X85L / 65X80L XR-65X90L XRM-65X90L

אביזר לסימון הקיר לצורך מיקום ההתקנה של טלוויזיה או צג LCD



(מ"מ)

שם דגם	A	B	C	D
KD-85X81BL / 85X80L KM-85X80L	1901	472	200	43
XR-85X90L XRM-85X90L	1891	486	200	58
KD-75X85L KM-75X85L	1671	388	150	21
KD-75X81BL / 75X80L KM-75X80L	1675	373	150	12
XR-75X90L XRM-75X90L	1668	388	150	21

معلومات التركيب لاستخدام كتيفة التثبيت الجدارية من Sony (SU-WL450)

الموديلات المدعومة*:

* في أسماء الموديلات الفعلية، يشير "xx"/"x" إلى الأرقام و/أو الأحرف المحددة الخاصة بكل موديل.

KD-85X8xL / 85X8xBL / 75X8xL / 75X8xBL / 65X8xL / 65X8xBL / 55X8xL / 55X8xBL / 50X8xL / 43X8xL

KM-85X8xL / 75X8xL / 65X8xL / 55X8xL / 50X8xL / 43X8xL

XR-85X9xL / 75X9xL / 65X9xL / 55X9xL

XRM-85X9xL / 75X9xL / 65X9xL / 55X9xL

إلى العملاء

لأسباب تتعلق بحماية المنتج وضمان السلامة، توصي شركة Sony وبشدة بأن تتم عمليات تركيب التلفزيون أو شاشة LCD من قبل وكلاء Sony أو المقاولين المرخصين بهذه الأعمال. لا تحاول تركيب الجهاز بنفسك.

إلى موزعي Sony والمتعاقدين معها

تأكد من توجيه الانتباه الكافي إلى السلامة أثناء عملية تركيب هذا المنتج وصيانته الدورية وفحصه.

يلزم توفر خبرة كافية لتركيب هذا المنتج، خاصة لتحديد قوة الجدار الذي يتحمل وزن التلفزيون أو شاشة LCD. احرص على تكليف موزعي Sony أو المتعاقدين المرخصين بتعليق هذا المنتج على الجدار وانتبه جيدًا للسلامة أثناء التركيب. لا تتحمل Sony مسؤولية أي إصابة أو أضرار تنجم عن سوء التعامل أو التركيب غير الصحيح.

لأسباب تتعلق بالسلامة والتركيب الصحيح، اتبع تعليمات التشغيل المتعلقة بكتيفة التثبيت الجدارية، ودليل إعداد التلفزيون أو شاشة LCD والإرشادات الواردة في هذا الدليل.

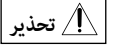
كيفية التثبيت الجدارية

حول السلامة

شكراً على شرائك هذا المنتج.

إلى العملاء

تركيب التلفزيون أو شاشة LCD في الجدار



تحذير

يلزم التركيب بواسطة فني محترف

يجب تركيب هذا المنتج بواسطة فني تركيب محترف تلقى تدريباً يُمكنه من معرفة مدى قدرة الحائط على تحمل وزن التلفزيون أو شاشة LCD. فإن لم يتم تثبيت التلفزيون أو شاشة LCD بإحكام أثناء عملية التركيب، فقد يسقط أي منهما مسبباً الإصابة بجروح خطيرة. تخلي شركة Sony مسؤوليةنا عن وقوع أية أضرار أو إصابات ناجمة عن سوء التعامل مع المنتج أو تركيبه على نحو غير صحيح، أو تركيب أي منتج بخلاف المنتج المحدد. لا تتأثر حقوقك القانونية (إن وجدت).

إلى وكلاء سوني Sony

يتطلب خبرة كافية من أجل تركيب هذا المنتج. تأكد من قراءة دليل التعليمات هذا بشكل دقيق وكامل من أجل القيام بأعمال التركيب بأمان. شركة سوني Sony غير مسؤولة عن أي أضرار أو جروح تحدث بسبب سوء التعامل مع المنتج أو التركيب غير الصحيح للمنتج. يرجى إعطاء هذا الكتيب إلى الزبون بعد التركيب.

يبين دليل التعليمات هذا طريقة التعامل الصحيحة مع المنتج والتنبهات الاحتياطية الضرورية لمنع الحوادث. تقع عليك مسؤولية قراءة دليل التعليمات هذا، وفهم ما جاء فيه فهماً كاملاً، واتباع تلك التعليمات. وقد ينجم عن عدم القيام بذلك التعرض لإصابات خطيرة أو ضرر بالمنتجات، كما قد يؤدي لإلغاء الضمان. احتفظ بهذا الكتيب متوفراً بين يديك كمرجع في المستقبل.

تصمم المنتجات المصنعة من قبل شركة سوني Sony مع الأخذ بعين الاعتبار عامل السلامة. إذا تم استعمال المنتجات بطريقة غير صحيحة، يمكن أن ينتج عن ذلك جروح خطيرة نتيجة نشوب حريق أو صدمة كهربائية أو انقلاب المنتج أو سقوط المنتج. تأكد من الانتباه ومراعاة التنبهات الاحتياطية للسلامة من أجل منع مثل هذه الحوادث.

تنبيه

المنتجات المحددة

تم تصميم كيفية التثبيت الجدارية هذه للاستخدام مع منتجات أجهزة تلفزيون أو شاشات LCD محددة. بالنسبة إلى أجهزة التلفزيون أو شاشات LCD راجع الدليل المرجعي للتحقق من إمكانية استخدام كيفية التثبيت الجدارية.

إلى العملاء

تحذير

إذا لم تتم مراعاة الاحتياطات التالية، فقد ينجم عن ذلك وقوع إصابة خطيرة أو قد يفضي الأمر إلى الوفاة جراء نشوب حريق أو التعرض لصدمة كهربائية أو سقوط المنتج.

تأكد من التعاقد مع متعهدين مرخصين من أجل أعمال التركيب وحافظ على بقاء الأطفال بعيداً أثناء عملية التركيب.

إذا لم يتم تركيب كيفية التثبيت الجدارية أو التلفزيون أو شاشة LCD بشكل صحيح، فيمكن أن تحدث الحوادث التالية. تأكد من القيام بأعمال التركيب من قبل متعهدين مرخصين للتركيب.

- يمكن أن يسقط التلفزيون أو شاشة LCD ويسبب جروحاً خطيرة مثل الكدمة أو كسر في العظام.
- إذا كان الحائط الذي سوف يتم عليه تركيب كيفية التثبيت الجدارية غير مستقر أو غير مستو أو غير متعامد مع الأرضية، يمكن أن تسقط الوحدة وتسبب جروح أو ضرر بالمنتجات. يجب أن يكون الحائط قادراً على دعم وتحمل وزن أقل أربعة أضعاف وزن التلفزيون أو شاشة LCD.

(يرجى مراجعة الدليل المرجعي الخاص بالتلفزيون أو بشاشة LCD لمعرفة وزنها).

- إذا كان تركيب كيفية التثبيت الجدارية على الجدار غير قوي بشكل كافي، يمكن أن تسقط الوحدة وتسبب جروح أو ضرر بالمنتجات.

تأكد من التعاقد مع متعهدين مرخصين من أجل القيام بأعمال النقل أو فك تركيب التلفزيون أو شاشة LCD عن الحائط.

إذا قام أشخاص غير المتعهدين المرخصين بنقل أو فك تركيب التلفزيون أو شاشة LCD عن الحائط، فيمكن أن يسقط ويسبب جروحاً أو ضرراً بالمنتجات. يلزم توفر شخصين أو أكثر (ثلاثة أشخاص أو أكثر للتلفزيون أو شاشة LCD بحجم 189.3 سم (75 بوصة) وما أكبر) وذلك لنقل جهاز تلفزيون كبير أو شاشة LCD بحجم 189.3 سم (75 بوصة) وما أكبر) وذلك لنقل جهاز تلفزيون كبير أو شاشة LCD (مصر فقط).

لا تنزع البراغي، إلخ، بعد تركيب التلفزيون أو شاشة LCD.

إذا فعلت ذلك، فيمكن أن يسقط التلفزيون أو شاشة LCD ويسبب جروحاً أو ضرراً بالمنتجات.

لا تقم بإدخال تغييرات على أجزاء كيفية التثبيت الجدارية.

إذا فعلت ذلك، يمكن أن تسقط كيفية التثبيت الجدارية وتسبب جروح أو ضرر بالمنتجات.

لا تقوم بتركيب أي معدات غير المنتج المحدد.

كيفية التثبيت الجدارية هذه مصممة من أجل الاستعمال مع المنتج المحدد في الأعلى فقط. إذا قمت بتركيب معدات غير تلك المحددة، يمكن أن تسقط أو تنكسر كيفية التثبيت الجدارية وتسبب جروحاً أو ضرراً بالمنتجات.

لا تضع أي ثقل غير التلفزيون أو شاشة LCD على كيفية التثبيت الجدارية.

لا تحرك التلفزيون أو شاشة LCD للياسار/الليمين أو لأعلى/أسفل.

إذا فعلت ذلك، فيمكن أن يسقط التلفزيون أو شاشة LCD ويسبب جروحاً أو ضرراً بالمنتجات.

لا تتكئ على أو تتدلى من التلفزيون أو شاشة LCD.

لا تتكئ على أو تتدلى من التلفزيون أو شاشة LCD إذ يمكن أن يسقط ويسبب جروحاً خطيرة.

تنبيه

في حالة عدم اتباع التنبهات الاحتياطية التالية، يمكن أن يحدث جروح أو ضرر بالمنتجات.

- عليك بتخزين الأجزاء غير المستخدمة في مكان آمن لأغراض الاستخدام مستقبلاً.
- يجب إبقاؤها بعيداً عن متناول الأطفال.

لا تتعامل مع المنتج بقوة زائدة أثناء التنظيف أو الصيانة.

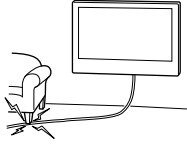
لا تضع قوة زائدة على الجانب العلوي للتلفزيون أو لشاشة LCD. إذا فعلت ذلك، فيمكن أن يسقط التلفزيون أو شاشة LCD ويسبب جروحاً أو ضرراً بالمنتجات.

تنبيهات احتياطية

- إذا استعملت التلفزيون أو شاشة LCD المركب على كيفية التثبيت الجدارية لمدة طويلة من الوقت، فيمكن أن يصبح الحائط خلف أو فوق التلفزيون أو شاشة LCD مشوه اللون أو يمكن أن يصبح ورق الجدار غير ملتصق وذلك اعتماداً على نوعية مادة الحائط.
- إذا تم نزع كيفية التثبيت الجدارية بعد تركيبها على الحائط، تبقى ثقوب البراغي على الحائط.
- لا تستخدم كيفية التثبيت الجدارية بمكان تتعرض فيه للاهتزازات الميكانيكية.

احذر من الضغط أو الشد أو التردد على سلك طاقة التيار المتردد AC أو سلك التوصيل.

إذا تم الضغط أو الشد أو انحصر سلك طاقة التيار المتردد AC أو سلك التوصيل بين الوحدة والحائط أو اثني أو التوى السلك بقوة، يمكن أن تصبح أسلاك الموصلات الداخلية مكشوفة وتسبب تماس كهربائي أو قطع كهربائي. يمكن أن يسبب ذلك نشوب حريق أو حدوث صدمة كهربائية.



البراغي اللازمة لتثبيت كتيفة التثبيت الجدارية هي غير مزودة.

استعمل البراغي المناسبة للمادة المصنوع منها الحائط والبناء عند تركيب كتيفة التثبيت الجدارية.

تأكد من استعمال البراغي وأجزاء الروابط الملحقة المزودة كما يجب بصورة صحيحة باتباع التعليمات المعطاة في دليل التعليمات هذا. إذا استعملت مواد بديلة، فيمكن أن يسقط التلفزيون أو شاشة LCD ويسبب جروحاً بدنية لبعض الأشخاص أو ضرراً للتلفزيون أو لشاشة LCD.

تأكد من تجميع الكتيفة كما يجب بصورة صحيحة باتباع إجراء التوجيه المشروح في دليل التعليمات هذا.

إذا كان أحد البراغي مرتخياً أو سقط من مكانه، فيمكن أن يسقط التلفزيون أو شاشة LCD ويسبب جروحاً بدنية لبعض الأشخاص أو ضرراً للتلفزيون أو لشاشة LCD.

تأكد من شدّ البراغي بشكل ثابت ومحكم في الموضع المعين.

إذا لم تشدّ البراغي بشكل ثابت ومحكم، فيمكن أن يسقط التلفزيون أو شاشة LCD ويسبب جروحاً بدنية لبعض الأشخاص أو ضرراً للتلفزيون أو لشاشة LCD.

احذر من تعرض التلفزيون أو شاشة LCD إلى الصدمات أثناء التركيب.

إذا تعرض التلفزيون أو شاشة LCD إلى الصدمات، فيمكن أن يسقط أو تتكسر أجزاؤها. يمكن أن يسبب ذلك جروحاً.

تأكد من تركيب التلفزيون أو شاشة LCD على حائط عمودي ومستوي.

إذا ركبت على حائط غير عمودي ومستوي، فيمكن أن يسقط التلفزيون أو شاشة LCD ويسبب جروحاً.

بعد تركيب التلفزيون أو شاشة LCD بشكل مناسب، ثبتّ الأسلاك كما يجب بصورة صحيحة.

إذا تشابك أشخاص أو أجسام مع الأسلاك، فيمكن أن يسبب ذلك جروحاً أو ضرراً للتلفزيون أو لشاشة LCD.

تركيب كتيفة التثبيت الجدارية

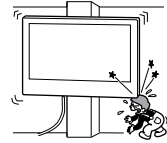
إلى وكلاء سوني Sony

تحذير

التعليمات التالية هي لكلاء سوني Sony فقط. تأكد من قراءة التنبيهات الاحتياطية المتعلقة بالسلامة المشروحة في الأعلى وإعطاء انتباه خاص إلى عامل السلامة أثناء التركيب والصيانة والشخص لهذا المنتج.

لا تتركب كتيفة التثبيت الجدارية على أسطح حائط بحيث تكون زوايا أو جوانب التلفزيون أو شاشة LCD بارزة كثيراً من سطح الحائط. إذا حدث واصطدم جسم أو شخص بزوايا أو جانب التلفزيون أو شاشة LCD البارز، فيمكن أن يسبب جروحاً أو ضرراً بالمتعلقات.

لا تتركب كتيفة التثبيت الجدارية على أسطح حائط مثل عمود، بحيث تكون زوايا أو جوانب التلفزيون أو شاشة LCD بارزة كثيراً من سطح الحائط. إذا حدث واصطدم جسم أو شخص بزوايا أو جانب التلفزيون أو شاشة LCD البارز، فيمكن أن يسبب جروحاً أو ضرراً بالمتعلقات.

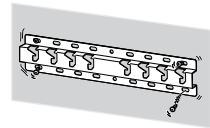


لا تتركب التلفزيون أو شاشة LCD فوق أو تحت مكيف الهواء.

إذا تعرض التلفزيون أو شاشة LCD إلى تسرب الماء أو مجرى تدفق الهواء من مكيف الهواء لمدة طويلة، فيمكن أن يسبب ذلك نشوب حريق أو حدوث صدمة كهربائية أو عطل بالتلفزيون أو بشاشة LCD.

تأكد من تركيب كتيفة التثبيت الجدارية بشكل ثابت ومحكم مع الحائط باتباع التعليمات الموجودة في دليل التعليمات هذا.

إذا كان أحد البراغي مرتخياً أو سقط من مكانه، يمكن أن تسقط كتيفة التثبيت الجدارية وتسبب جروحاً أو ضرراً بالمتعلقات. تأكد من استعمال البراغي المناسبة للمادة المصنوع منها الحائط وركب الوحدة بشكل ثابت ومحكم باستعمال أربعة براغي أو أكثر بقطر قياس 8 مم (أو ما يعادلها).

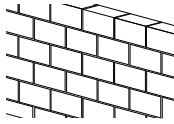


- الرسوم التوضيحية لجهاز التلفزيون أو لشاشة LCD الموضحة في هذا الدليل هي أمثلة مُستخدمة لتقديم شرح واضح للعمليات. لهذا السبب، قد تظهر الرسوم التوضيحية مختلفة عن التلفزيون الفعلي أو شاشة LCD.

مما صُنِعَ الجدار؟

أولاً، تحقق من نوع الجدار لتثبيت التلفزيون أو شاشة LCD.

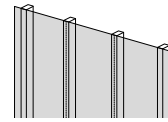
الخرسانة الصلبة أو الكتلة الخرسانية



تنبيهات احتياطية

- ركب كثيفة التثبيت الجدارية مباشرةً على الجدار الخرساني الصلب.
- تأكد من أن سُمك الجدار الخرساني الصلب هو على الأقل 203 مم.
- تأكد من أن حجم كل كتلة خرسانية هو على الأقل 203 مم × 203 مم × 406 مم.




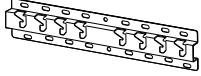
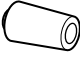



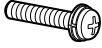
جدار من الحجارة غير المليطة مع مسامير








تنبيهات احتياطية

- الحد الأقصى لسُمك الجدار: 16 مم.
- تأكد من أن حجم مسمار الخشب الداخلي هو على الأقل 51 مم × 102 مم للقيمة العادية أو 38 مم × 89 مم للقيمة الأسمية.

- تأكد من أن جميع القطع موجودة.

<p>Ⓔ مبادل (20 مم) (x2)</p> 	<p>Ⓒ برغي (+PSW 6 × 20) (x4)</p> 	<p>Ⓑ بكرة (x2)</p> 	<p>Ⓐ القاعدة (20) (x1)</p> 
<p>Ⓚ مبادل (60 مم) (x2)</p> 	<p>Ⓙ برغي (+PSW 4 × 10) (x8)</p> 	<p>Ⓛ مهابن القاعدة (x2)</p> 	<p>ⓕ حزام (x1)</p> 
<p>Ⓛ برغي (+PSW 6 × 50) (x2)</p> 			

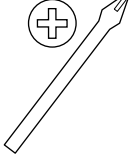
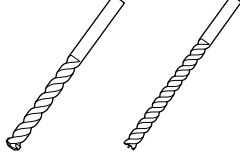

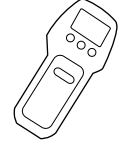
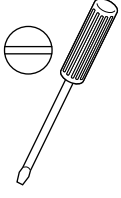
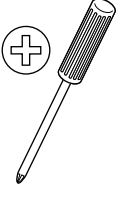
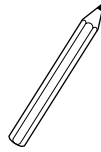
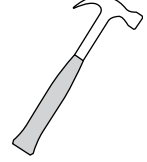



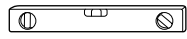
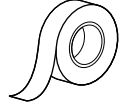
- قد لا يتم استخدام هذه الاجزاء للموديل الخاص بك.

<p>Ⓜ جلبة (M4) (x2)</p> 	<p>ⓓ برغي (+PSW 4 × 20) (x2)</p> 	<p>Ⓒ جلبة (M4) (20) (x2)</p> 	<p>Ⓓ برغي (+PSW 4 × 20) مع جلبة (x2)</p> 
<p>Ⓝ برغي (+PSW 4 × 50) (x2)</p> 			

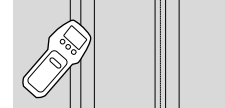


التحضير للتركيب

- أحضر الدليل المرجعي ودليل الإعداد للتلفزيون أو شاشة LCD بالقرب منك قبل التركيب.
- تأكد من موضع التركيب الخاص بالتلفزيون أو شاشة LCD.
- قم بإعداد أربعة براغٍ أو أكثر بقطر 8 مم وبرغي واحد بقطر 5 مم أو ما يكافئه (غير مرفق). اختر البراغي المناسبة لنوع الجدار.
- قم بإعداد الأدوات التالية:

	 <p>10 مم 5.5 مم</p>		 <p>1*</p>
 <p>1.5 م.ن {15 كجم ق.سم}</p> <p>3*</p>	 <p>1.5 م.ن {15 كجم ق.سم}</p>		 <p>2*</p>
 <p>5 مم</p>	 <p>(x4) 8 مم × 60 مم</p>	 <p>(x4)</p> <p>2*</p>	
			 <p>4*</p>

1* الخاصة فقط بجدار من الحجارة غير المليطة مع مسامير



2* الخاصة فقط بالخرسانة الصلبة أو الكتلة الخرسانية

3* بناءً على الطرز

4* فقط لجهاز التلفزيون أو شاشة LCD مقاس 189.3 سم (75 بوصة) فأكثر (باستثناء مصر)

فقط لجهاز التلفزيون أو شاشة LCD مقاس 75 بوصة (189.3 سم) فأكثر (مصر فقط)

تثبيت كثيفة التثبيت الجدارية بالحائط

1

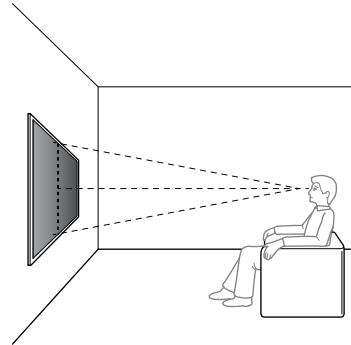
تحديد موضع التثبيت.

تأكد من توفر مساحة كافية بالجدار للتلفزيون أو لشاشة LCD ومن قدرة الجدار على دعم وزن يبلغ أربعة أضعاف وزن التلفزيون أو شاشة LCD على الأقل.

يرجى مراجعة الدليل المرجعي الخاص بالتلفزيون أو بشاشة LCD لمعرفة وزنه.

ملاحظة

- عند تركيب التلفزيون أو شاشة LCD على الجدار، يميل الجانب العلوي من التلفزيون أو شاشة LCD إلى الأمام قليلاً.
- نوصي بفحص وضع التلفزيون أو شاشة LCD في بيئة المشاهدة.



2

اختر نمط التثبيت الحائطي.

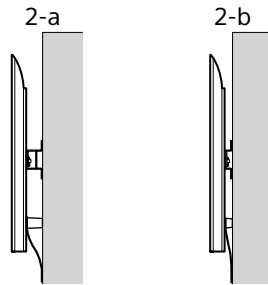
2-a: التثبيت القياسي

2-b: تثبيت الشكل الرفيع

- راجع « قياس لكثيفة التثبيت الجدارية بالحائط » في صفحة 18.

تحذير

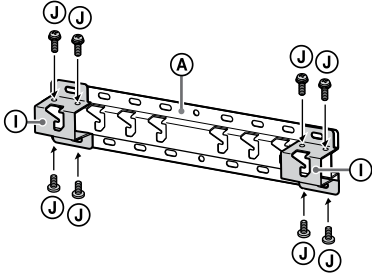
- عند تحديد 2-b، يكون الوصول إلى الطرف الخلفي محدوداً.



3

عند اختيار التثبيت القياسي (2-a):

- قم بتثبيت مهائئ القاعدة ① عن طريق استخدام البرغي (+PSW 4 × 10) ② بالقاعدة (20) ③.
- راجع « موضع تركيب مهائئ القاعدة ① » في صفحة 19.



على سبيل المثال: تركيب مهائئ القاعدة ① في الموقع "a"

عند اختيار تثبيت الشكل الرفيع (2-b):

تخطي هذه الخطوة.

4 حدد مواضع البراغي لتركيب القاعدة (20) ①.

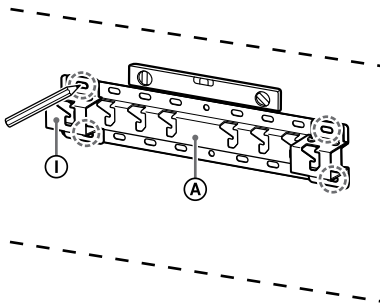
- راجع « المواصفات » في صفحة 17.

تحذير

- حدد قوة الحائط الذي سوف تتركب عليه التلفزيون أو شاشة LCD. عزز من قوة الحائط بقدر كافٍ، إذا كان ضرورياً.
- يجب أن يكون الحائط الذي سوف يتم عليه تركيب التلفزيون أو شاشة LCD قادراً على دعم وتحمل وزن على الأقل أربعة أضعاف وزن التلفزيون أو شاشة LCD. (يرجى مراجعة الدليل المرجعي الخاص بالتلفزيون أو بشاشة LCD لمعرفة وزنه).

عند اختيار التثبيت القياسي (2-a):

- استخدم مواضع الفتحات لمهائئ القاعدة ①.



على سبيل المثال: وضع علامة على الموقع "a" لتناسب القاعدة (20) ①

عند اختيار تثبيت الشكل الرفيع (2-b):

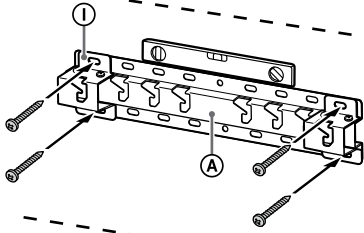
6 قم بتركيب القاعدة (20) A على الحائط باستخدام براغي مناسبة (غير مرفقة).

ملاحظة

- استعمل أربعة براغي أو أكثر بقطر قياس 8 مم أو ما يعادلها (غير مزودة).
- استخدم ميزان استواء للتحقق مما إذا كانت القاعدة (20) A مستوية أم لا.

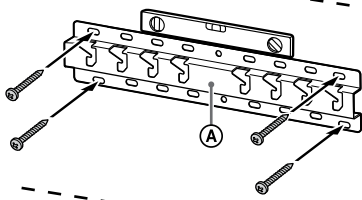
عند اختيار التثبيت القياسي (2-a):

قم بتركيب البراغي الأربعة بفتحات مهايئ القاعدة I بالقاعدة (20) A.



على سبيل المثال: تركيب القاعدة (20) A في الموقع "a"

عند اختيار تثبيت الشكل الرفيع (2-b):



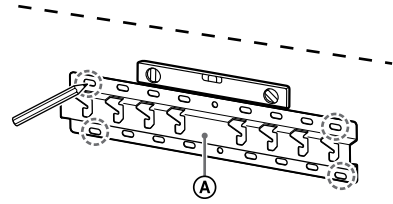
على سبيل المثال: تركيب القاعدة (20) A في الموقع "a"

الموديل / 85X8xL / 85X8xBL / 75X8xL / KD-85X8xL / 75X8xBL, KM-85X8xL / 75X8xL, XR-85X9xL / 75X9xL, XRM-85X9xL / فقط 75X9xL

ضع علامة على موقع التركيب على الحائط.

باستخدام شريط لاصق، إلخ. (غير مرفق) لوضع علامة على موقع التلفزيون أو شاشة LCD بالقرب من القاعدة (20) A أو مهايئ القاعدة I.

- راجع « موضع تركيب التلفزيون أو شاشة LCD على الحائط » في صفحة 20.

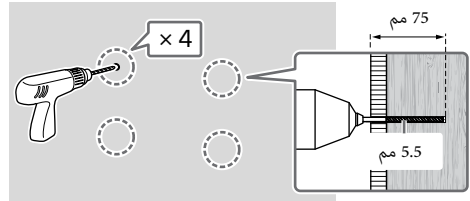


على سبيل المثال: وضع علامة على الموقع "a" لتناسب القاعدة (20) A

5

انقب فتحات دلالية في مكان العلامات. تأكد من أن يكون المكان على الحائط الذي ستقب فيه الفتحات قويًا بقدر كافٍ لدعم وزن أربعة أضعاف وزن التلفزيون أو شاشة LCD على الأقل.

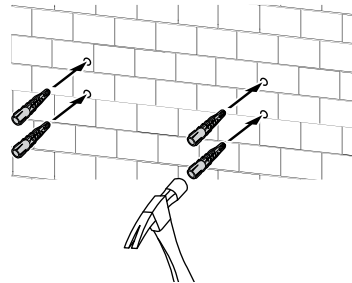
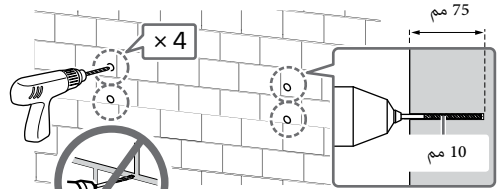
الحفر على جدار من الحجارة غير الملبطة مع مسامير:



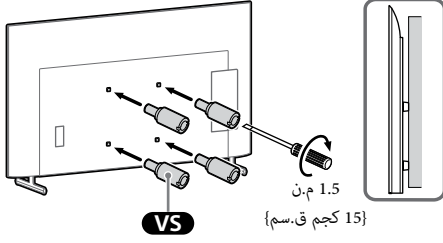
ملاحظة

- يجب نقب الفتحات الدلالية حتى عمق 75 مم، باستخدام لقمة نقب بقطر 5.5 مم.

الحفر على خرسانة صلبة أو كتلة خرسانية:



3 قم بربط مرفق التثبيت الجداري (VS) (المرفق بالتلفزيون أو بشاشة LCD) لخلف التلفزيون أو شاشة LCD (لجعله موازيًا للجدار).



ملاحظة

• تأكد من ربط مرفق التثبيت الجداري (VS) عند إرفاقه بالتلفزيون أو بشاشة LCD.

• استخدم فقط مفك ذو رأس عريض لتثبيت مرفق التثبيت الجداري (VS) استخدام أداة أخرى قد يؤدي إلى تدوير أعلى لمرفق التثبيت الجداري (VS) وإتلاف التلفزيون أو شاشة LCD.

4 اربط الأجزاء المرفقة بكتيفة التثبيت الجدارية. تحقق من الأجزاء المرفقة عن طريق الرجوع إلى « مرفق ب-SU-WL450 » في « افحص الأجزاء » في صفحة 6.

ملاحظة

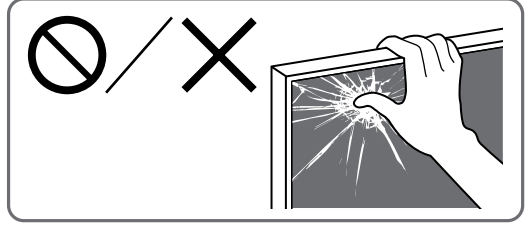
• أمن الأجزاء المرفقة جيدًا باستخدام البراغي.
• عند استخدام الملف الكهربائي، قم بتعيين إعداد عزم الدوران عند 1.5 ن.م (15 كجم ق.سم تقريبًا).

باستثناء الوديل / KD-85X8xL / 85X8xBL,
75X8xL / 75X8xBL, KM-85X8xL / 75X8xL,
XR-85X9xL / 75X9xL, XRM-85X9xL /
75X9xL
تخطي هذه الخطوة.

تحضير من أجل تركيب التلفزيون أو شاشة LCD

ملاحظة

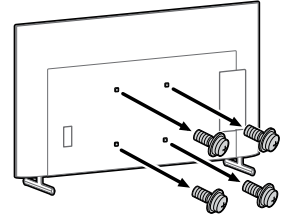
• وتأكد من تخزين البراغي التي قمت بإزالتها والأجزاء التي لم يتم استعمالها في مكان آمن، مع الحفاظ عليها بعيدًا عن الأطفال.

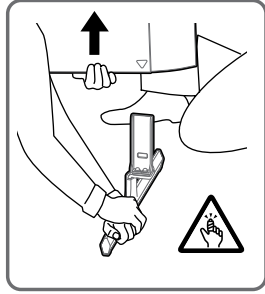
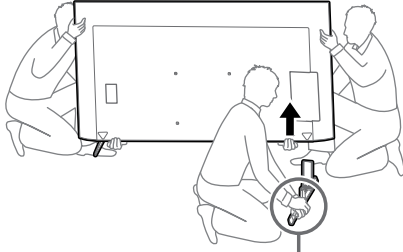


1 ركب الحامل أعلى الطاولة لجعل التلفزيون أو شاشة LCD قائمة.

• راجع دليل إعداد جهاز التلفزيون أو شاشة LCD.

2 أزل البراغي من خلف التلفزيون أو شاشة LCD.

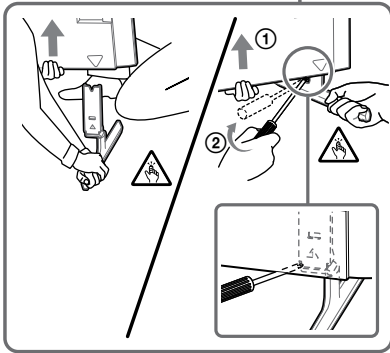
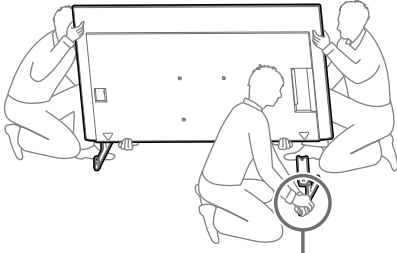




- كرر الخطوة السابقة وأزل الجانب الآخر من حامل أعلى الطاولة.

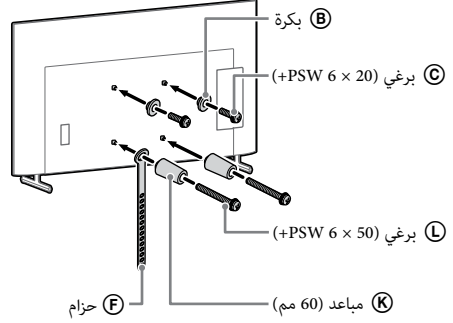
الموديل, KD-75X85L / 65X85L / 65X85BL / 55X85L / 55X85L فقط KM-75X85L / 65X85L / 55X85L

- أزل جانب واحد من حامل أعلى الطاولة في المرة الواحدة. أمسك حامل أعلى الطاولة بقوة وبإحكام بكلتا اليدين أثناء قيام الأشخاص الآخرين برفع التلفزيون أو شاشة LCD.

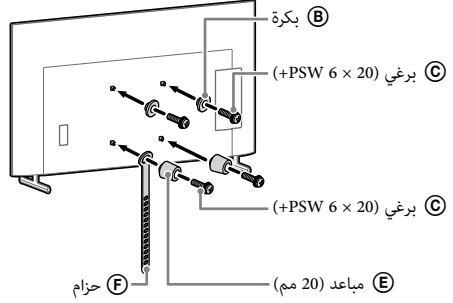


- كرر الخطوة السابقة وأزل الجانب الآخر من حامل أعلى الطاولة.

عند اختيار التثبيت القياسي (2-a):



عند اختيار تثبيت الشكل الرفيع (2-b):



5 قم بتوصيل السلك (الأسلاك) اللازم بالتلفزيون أو بشاشة

LCD.

تأكد من توصيل الأسلاك قبل تركيب التلفزيون أو شاشة LCD على الحائط. لا يمكنك توصيل الأسلاك بعد تركيب التلفزيون أو شاشة LCD.

ملاحظة

- تعاقد مع متخصصين مرخصين من أجل تمرير السلك داخل الحائط.
- احزم أسلاك التوصيل لمنع الدوس عليها قبل تركيبها على الحائط.

6 افصل الحامل أعلى الطاولة عن التلفزيون أو شاشة

LCD.

الرسم التوضيحي التالي هو مثال على العملية.

باستثناء الوديل, KD-75X85L / 65X85L / 65X85BL / 55X85L, XR-85X90L / 75X90L / 65X90L / 55X90L, XRM-85X90L / 75X90L / 65X90L / 55X90L

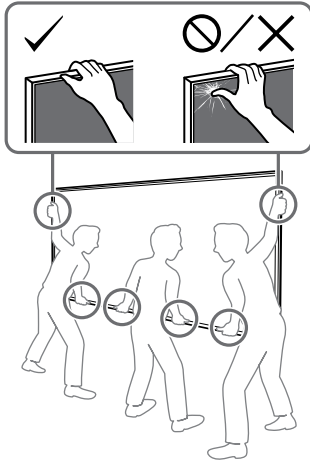
- أزل جانب واحد من حامل أعلى الطاولة في المرة الواحدة. أمسك حامل أعلى الطاولة بقوة وبإحكام بكلتا اليدين أثناء قيام الأشخاص الآخرين برفع التلفزيون أو شاشة LCD.

تركيب التلفزيون أو شاشة LCD على الحائط

الموديل / KD-85X8xL / 85X8xBL / 75X8xL /
75X8xBL, KM-85X8xL / 75X8xL, XR-85X9xL /
فقط 75X9xL, XRM-85X9xL / 75X9xL

تحذير

- يلزم توفر شخصين أو أكثر (ثلاثة أشخاص أو أكثر للتلفزيون أو شاشة LCD بحجم 189.3 سم (75 بوصة) وما أكبر) وذلك لنقل جهاز تلفزيون كبير أو شاشة LCD (باستثناء مصر).
- يلزم توفر شخصين أو أكثر (ثلاثة أشخاص أو أكثر للتلفزيون أو شاشة LCD بحجم 75 بوصة (189.3 سم) وما أكبر) وذلك لنقل جهاز تلفزيون كبير أو شاشة LCD (مصر فقط).



1 ارفع التلفزيون أو شاشة LCD.

- لتعليق موضع البركات (B) على القاعدة (20) (A) أو مهايئ القاعدة (1)، راجع « موضع تركيب مهايئ القاعدة (1) » في صفحة 19.
- تأكد من ملاصقة الجزء الخلفي للتلفزيون أو لشاشة LCD للقاعدة (20) (A) أو مهايئ القاعدة (1) عند الإمساك بالتلفزيون أو بشاشة LCD.

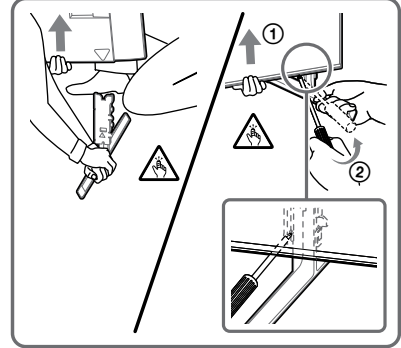
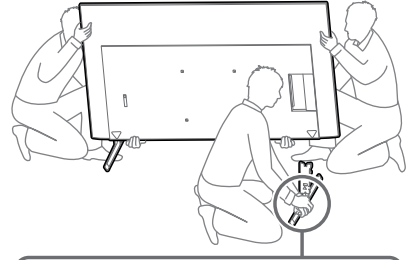
ملاحظة

- أمسك التلفزيون أو شاشة LCD بإحكام بكلتا اليدين وتأكد من محاذاة الحزام (F) والجزء السفلي من التلفزيون أو شاشة LCD مع الشريط اللاصق.

الموديل, XR-85X90L / 75X90L / 65X90L / 55X90L

فقط XRM-85X90L / 75X90L / 65X90L / 55X90L

- أزل جانب واحد من حامل أعلى الطاولة في المرة الواحدة. أمسك حامل أعلى الطاولة بقوة وبإحكام بكلتا اليدين أثناء قيام الأشخاص الآخرين برفع التلفزيون أو شاشة LCD.

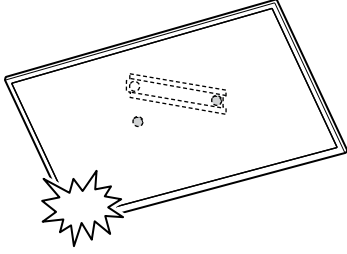


- كرر الخطوة السابقة وأزل الجانب الآخر من حامل أعلى الطاولة.

ملاحظة

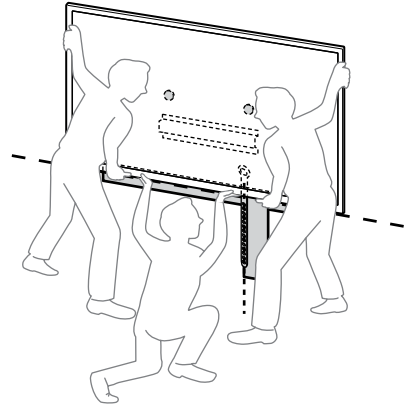
- يلزم توفر ثلاثة أشخاص أو أكثر لفصل حامل أعلى الطاولة.
- احرص على عدم استخدام القوة المفرطة أثناء فصل حامل أعلى الطاولة عن التلفزيون أو شاشة LCD لأنه قد يتسبب في سقوط جهاز التلفزيون أو شاشة LCD مسبباً إصابة شخصية أو تلف مادي للتلفزيون أو لشاشة LCD.
- توخ الحذر عند التعامل مع حامل أعلى الطاولة لتجنب تلف التلفزيون أو شاشة LCD.
- كن حذراً عند رفع التلفزيون أو شاشة LCD حيث تم فصل حامل أعلى الطاولة، فقد يؤدي إلى انقلاب الحامل ويسبب إصابة شخصية.
- توخ الحذر عند إزالة حامل أعلى الطاولة من التلفزيون أو شاشة LCD لمنع سقوطه وإتلاف السطح الذي يتم وضع التلفزيون أو شاشة LCD عليه.

- حرر كلتا اليدين ببطء لضمان عدم سقوط التلفزيون أو شاشة LCD.

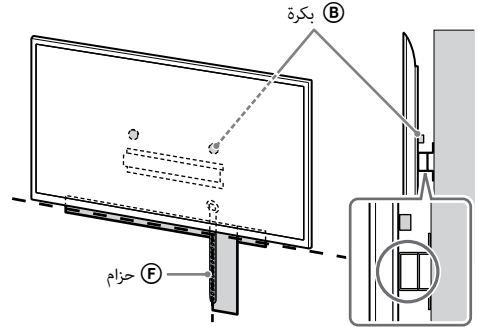


- بعد تركيب التلفزيون أو شاشة LCD على الحائط، قم بإزالة الشريط اللاصق، وغيره من الحائط.

- احمل التلفزيون أو شاشة LCD مع ثلاثة أشخاص ويقوم الشخص الموجود أمام التلفزيون أو شاشة LCD بقيادة الآخرين لضبط الوضع.



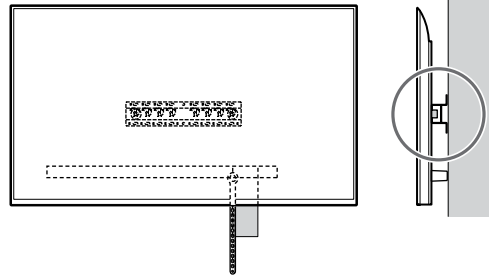
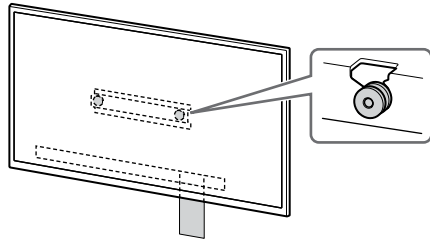
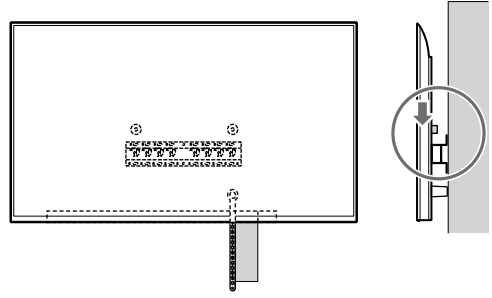
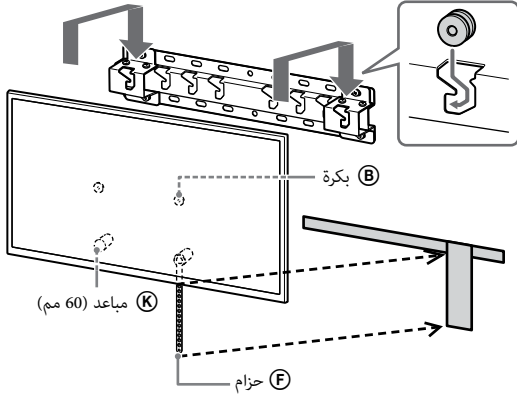
- توخ الحرس الشديد عن تركيب التلفزيون أو شاشة LCD على الحائط خاصة بالنسبة للشخص الذي يدعم التلفزيون أو شاشة LCD من أسفل، فقد يسقط جهاز التلفزيون أو شاشة LCD، مما يُسبب إصابة جسدية خطيرة أو حتى الوفاة.



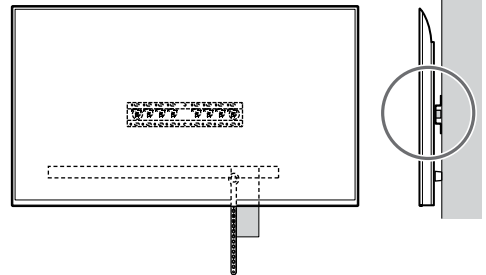
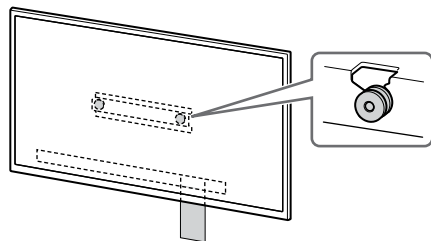
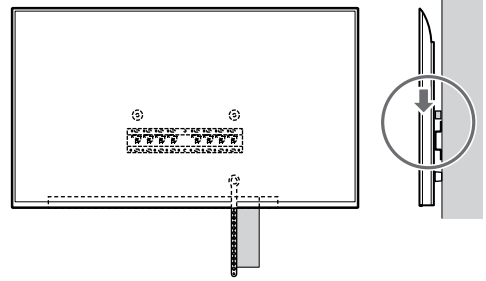
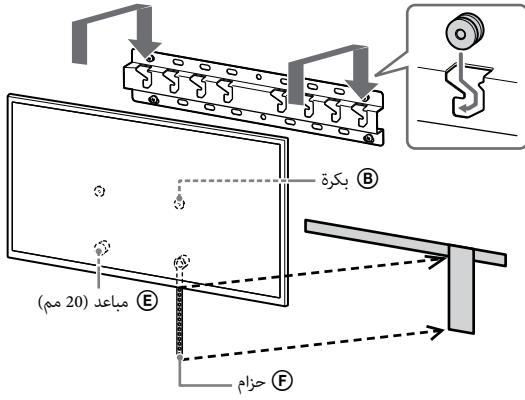
2 قم بتركيب التلفزيون أو شاشة LCD على القاعدة (20)

- **(A) أو مهائئ القاعدة ①.**
- حرك التلفزيون أو شاشة LCD لأسفل برفق وقم بتعليق البكرات **(B)** المركبة على الجزء السفلي من التلفزيون أو شاشة LCD على القاعدة (20) **(A)** أو مهائئ القاعدة ①، مع ضمان تأكيد شكل الفتحات.
- بعد تثبيت التلفزيون أو شاشة LCD في الجدار، تأكد من أن البكرات **(B)** مثبتة بإحكام في القاعدة (20) **(A)** أو مهائئ القاعدة ①.

عند اختيار التثبيت القياسي (2-a):



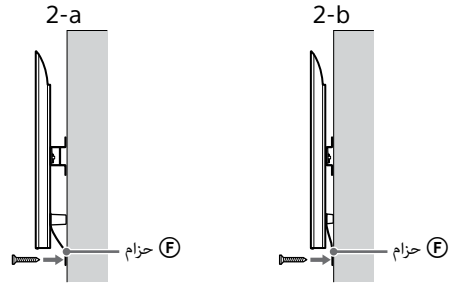
عند اختيار تثبيت الشكل الرفيع (2-b):



3 الحيلولة دون تحرك الجزء السفلي من التلفزيون أو

شاشة LCD.

- خذ الجزء المتدلي من الحزام (F) وركبهُ على الحائط بإحكام.



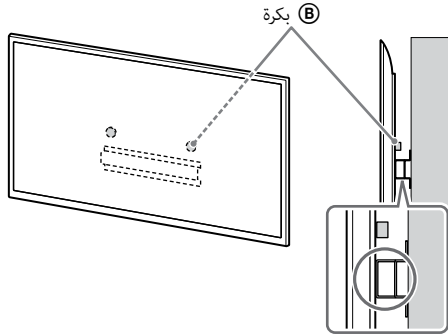
- استخدم برغيًا بقطر 5 مم أو ما يكافئه (غير مرفق).

ملاحظة

- قم بسحب الجزء السفلي من التلفزيون أو شاشة LCD تجاهك قليلاً، وذلك للتأكد من أنه لا يتحرك للأمام. إذا كانت هناك أية حركة أو تخلخل، فإنه غير مثبت بصورة صحيحة، ويجب تثبيت الحزام (F) بإحكام مرة أخرى.

1 ارفع التلفزيون أو شاشة LCD.

- لتعليق موضع البكرات (B) على القاعدة (20) (A) أو مهايئ القاعدة (1)، راجع « موضع تركيب مهايئ القاعدة (1) » في صفحة 19.
- تأكد من ملامسة الجزء الخلفي للتلفزيون أو لشاشة LCD للقاعدة (20) (A) أو مهايئ القاعدة (1) عند الإمساك بالتلفزيون أو بشاشة LCD.



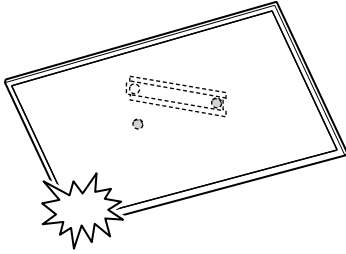
ملاحظة

- أمسك التلفزيون أو شاشة LCD بإحكام بكلتا يديك.

2 قم بتركيب التلفزيون أو شاشة LCD على القاعدة (20)

(A) أو مهايئ القاعدة (1).

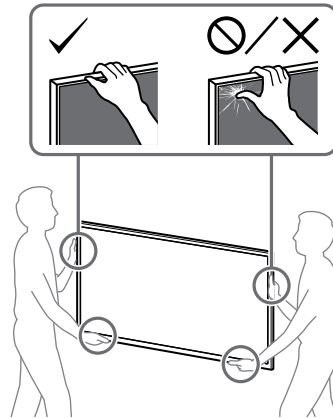
- حرك التلفزيون أو شاشة LCD لأسفل برفق وقم بتعليق البكرات (B) المركبة على الجزء السفلي من التلفزيون أو شاشة LCD على القاعدة (20) (A) أو مهايئ القاعدة (1)، مع ضمان تأكيد شكل الفتحات.
- بعد تثبيت التلفزيون أو شاشة LCD في الجدار، تأكد من أن البكرات (B) مثبتة بإحكام في القاعدة (20) (A) أو مهايئ القاعدة (1).
- حرر كلتا اليدين ببطء لضمان عدم سقوط التلفزيون أو شاشة LCD.



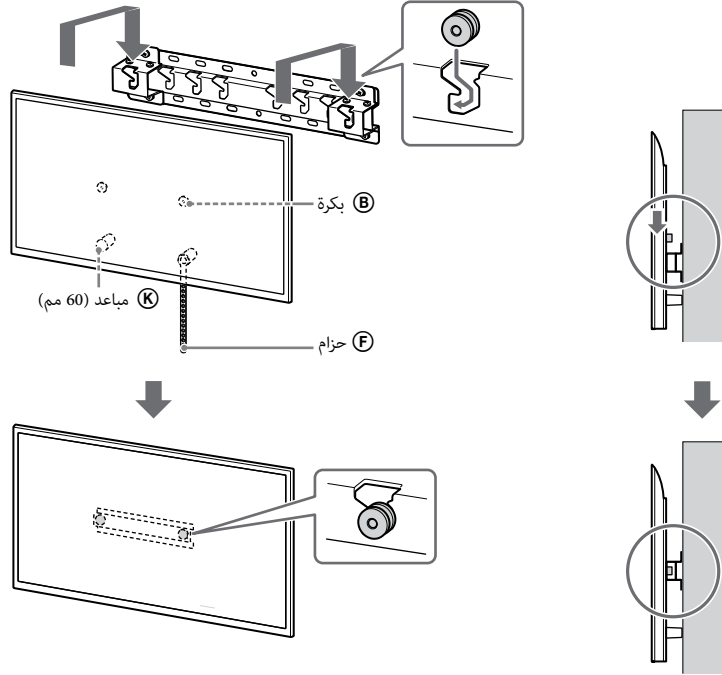
باستثناء الوديل / KD-85X8xL / 85X8xBL / 75X8xL / 75X8xBL, KM-85X8xL / 75X8xL, XR-85X9xL / 75X9xL, XRM-85X9xL / 75X9xL

تحذير

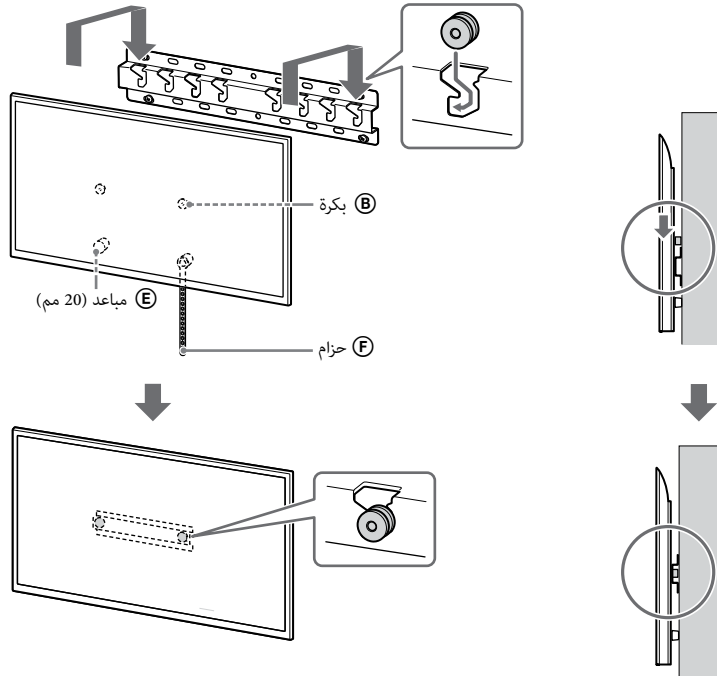
- يلزم توفر شخصين أو أكثر (ثلاثة أشخاص أو أكثر للتلفزيون أو شاشة LCD بحجم 189.3 سم (75 بوصة) وما أكبر) وذلك لنقل جهاز تلفزيون كبير أو شاشة LCD (باستثناء مصر).
- يلزم توفر شخصين أو أكثر (ثلاثة أشخاص أو أكثر للتلفزيون أو شاشة LCD بحجم 75 بوصة (189.3 سم) وما أكبر) وذلك لنقل جهاز تلفزيون كبير أو شاشة LCD (مصر فقط).



عند اختيار التثبيت القياسي (2-a):



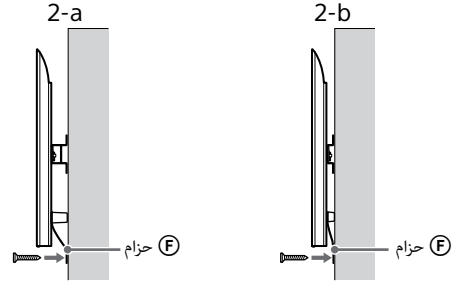
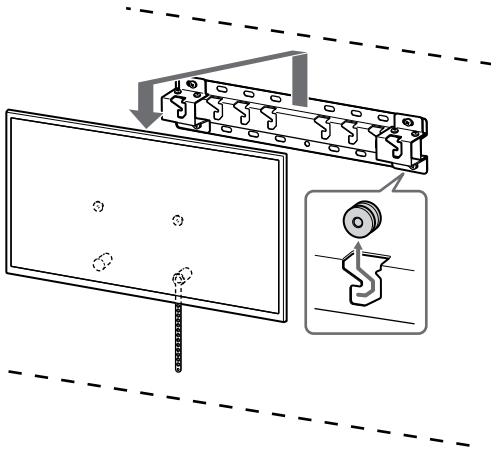
عند اختيار تثبيت الشكل الرفيع (2-b):



3 الحيلولة دون تحرك الجزء السفلي من التلفزيون من شاشة LCD.

شاشة LCD.

- خذ الجزء المتدلي من الحزام (F) وركبه على الحائط بإحكام.



- استخدم برغيًا بقطر 5 مم أو ما يكافئه (غير مرفق).

ملاحظة

- قم بسحب الجزء السفلي من التلفزيون أو شاشة LCD تجاهك قليلاً، وذلك للتأكد من أنه لا يتحرك للأمام. إذا كانت هناك أية حركة أو تخلخل، فإنه غير مثبت بصورة صحيحة، ويجب تثبيت الحزام (F) بإحكام مرة أخرى.

تحذير

- يلزم توفير شخصين أو أكثر (ثلاثة أشخاص أو أكثر للتلفزيون أو شاشة LCD بحجم 189.3 سم (75 بوصة) وما أكبر) وذلك لنقل جهاز تلفزيون كبير أو شاشة LCD (باستثناء مصر).

- يلزم توفير شخصين أو أكثر (ثلاثة أشخاص أو أكثر للتلفزيون أو شاشة LCD بحجم بوصة (189.3 سم) وما أكبر) وذلك لنقل جهاز تلفزيون كبير أو شاشة LCD (مصر فقط).

التأكد من اكتمال التركيب

افحص النقاط التالية.

- البكرات (B) معلقة بإحكام على القاعدة (20) (A) أو مهائئ القاعدة (I).
- الأسلاك غير ملتوية أو محشورة.
- الحزام (F) مربوط بدون جزء متدلي منه.

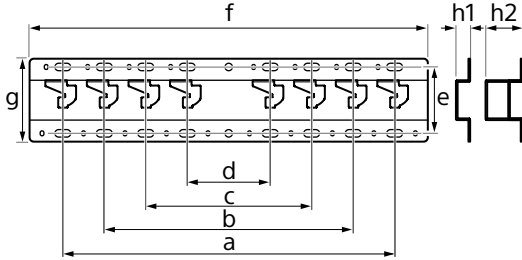
تحذير

- قد يُسبب الوضع غير الصحيح للسلك الرئيسي، وما إلى ذلك إلى نشوب حريق أو حدوث صدمة كهربائية من خلال انقطاع الدائرة الكهربائية. تأكد من اكتمال التركيب من أجل السلامة.

معلومات أخرى

عند نزع التلفزيون أو شاشة LCD، اعكس إجراء التركيب السابق.

المواصفات



الأبعاد: (تقريباً) [مم]

400	:	a
300	:	b
200	:	c
100	:	d
80	:	e
480	:	f
100	:	g

h1 : 20 (للتثبيت الشكل الرفيع، 2-b)

h2 : 60 (للتثبيت القياسي، 2-a)

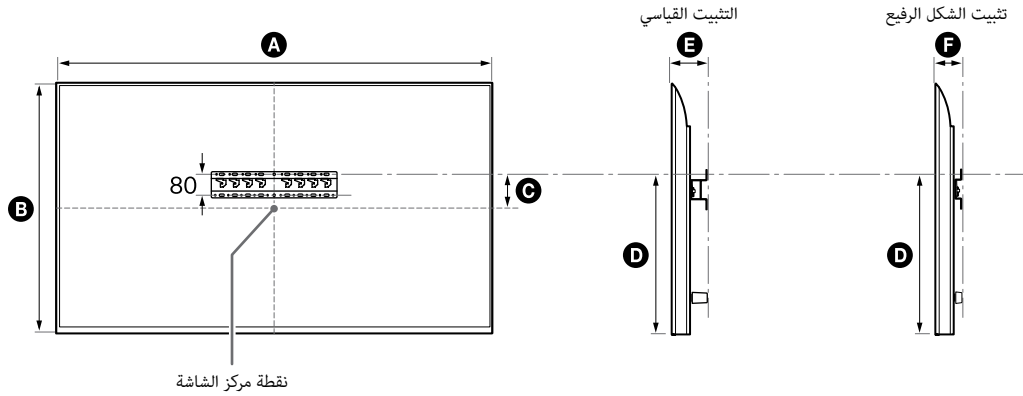
الوزن (القاعدة فقط): (تقريباً) [كجم]

0.8

التصميم والمواصفات عرضة للتغيير دون إشعار.

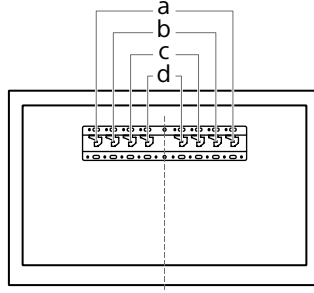
المراجع

قياس لكثيفة التثبيت الجدارية بالحائط
قد تختلف الأرقام الواردة بالجدول قليلاً وفقاً للتركيب.



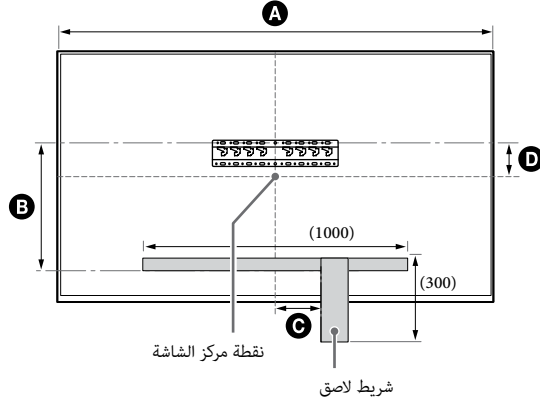
(مم)

اسم الموديل	A	B	C	D	E	F
KD-85X81BL / 85X80L KM-85X80L	1901	1090	43	592	138	96
XR-85X90L XRM-85X90L	1891	1085	58	607	125	83
KD-75X85L KM-75X85L	1671	960	21	508	123	81
KD-75X81BL / 75X80L KM-75X80L	1675	962	12	493	137	95
XR-75X90L XRM-75X90L	1668	959	21	508	123	81
KD-65X85L / 65X85BL KM-65X85L	1447	832	85	505	123	81
KD-65X81BL / 65X80L KM-65X80L	1452	836	76	494	135	93
XR-65X90L XRM-65X90L	1445	831	85	505	123	81
KD-55X85L KM-55X85L	1228	709	146	505	122	81
KD-55X81BL / 55X80L KM-55X80L	1233	713	133	494	135	93
XR-55X90L XRM-55X90L	1225	707	146	505	122	81
KD-50X80L KM-50X80L	1119	649	63	392	133	91
KD-43X80L KM-43X80L	964	563	111	392	133	91



موقع الخطاف	اسم الموديل
b	KD-55X85L / 55X81BL / 55X80L
	KM-55X85L / 55X80L
	XR-55X90L
	XRM-55X90L
c	KD-50X80L
	KM-50X80L
c	KD-43X80L
	KM-43X80L

موقع الخطاف	اسم الموديل
a	KD-85X81BL / 85X80L
	KM-85X80L
	XR-85X90L
	XRM-85X90L
b	KD-75X85L / 75X81BL / 75X80L
	KM-75X85L / 75X80L
	XR-75X90L
	XRM-75X90L
b	KD-65X85L / 65X85BL / 65X81BL / 65X80L
	KM-65X85L / 65X80L
	XR-65X90L
	XRM-65X90L



(مم)

اسم الموديل	A	B	C	D
KD-85X81BL / 85X80L KM-85X80L	1901	472	200	43
XR-85X90L XRM-85X90L	1891	486	200	58
KD-75X85L KM-75X85L	1671	388	150	21
KD-75X81BL / 75X80L KM-75X80L	1675	373	150	12
XR-75X90L XRM-75X90L	1668	388	150	21

اطلاعات نصب برای استفاده از پایه نصب دیواری Sony (مدل SU-WL450)

مدل های مورد پشتیبانی*:

* در نام های مدل حقیقی، "x"/"xx" ، اعداد و/یا نویسه های ویژه هر مدل را نشان می دهد.

KD-85X8xL / 85X8xBL / 75X8xL / 75X8xBL / 65X8xL / 65X8xBL / 55X8xL / 55X8xBL / 50X8xL / 43X8xL

KM-85X8xL / 75X8xL / 65X8xL / 55X8xL / 50X8xL / 43X8xL

XR-85X9xL / 75X9xL / 65X9xL / 55X9xL

XRM-85X9xL / 75X9xL / 65X9xL / 55X9xL

مربوط به مشتری

جهت حفاظت دستگاه و رعایت موارد ایمنی، شرکت Sony اکیداً توصیه می کند که نصب تلویزیون یا مانیتور LCD خود بر روی دیوار را به فروشندگان های کالاهای Sony یا نمایندگیهای مجاز واگذار نمایید. لطفاً شخصاً اقدام به نصب آن ننمایید.

مربوط به دفتر فروش و نمایندگی های Sony

در خلال نصب، سرویس دوره ای یا بازبینی این دستگاه باید ایمنی کامل را در نظر بگیرید.

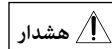
برای نصب این محصول مهارت کافی لازم است، به ویژه برای تعیین مقاومت دیوار در برابر وزن تلویزیون یا مانیتور LCD. نصب را به فروشنده یا فرد مورد تأیید Sony واگذار کنید و در طول مراحل نصب به موارد ایمنی توجه کافی داشته باشید. شرکت Sony هیچ مسئولیتی در قبال خسارت و جراحات وارده بدلیل نصب بد و نادرست دستگاه ها ندارد.

جهت نصب ایمن و درست، دستورالعملهای عملکرد پایه نصب دیواری، راهنمای نصب تلویزیون یا مانیتور LCD و دستورالعملهای موجود در این دفترچه راهنما را دنبال کنید.

از شما به خاطر خرید این محصول تشکر می کنیم.

مربوط به مشتری

نصب تلویزیون یا مانیتور LCD روی دیوار



نصب حرفه ای الزامی است

این محصول فقط باید توسط یک نصاب حرفه ای که در خصوص تعیین قدرت دیوار برای تحمل وزن تلویزیون یا مانیتور LCD آموزش دیده است نصب شود. در صورتی که تلویزیون یا مانیتور LCD به طور ایمن نصب نشود، ممکن است سقوط کند و باعث آسیب جدی شود. Sony در قبال هر نوع خسارت یا آسیب ناشی از استفاده یا نصب نادرست یا نصب هرگونه محصول غیر از محصول مشخص شده مسئولیتی ندارد. حقوق قانونی شما (در صورت وجود) تحت تأثیر قرار نمی گیرد.

خطاب به فروشندگان Sony

نصب این محصول مستلزم داشتن مهارت کافی در این زمینه است. حتماً این دفترچه دستورالعمل را با دقت مطالعه کنید تا کار نصب به طور ایمن انجام شود. Sony هیچ تعهدی در قبال صدمات یا آسیب های ناشی از نصب و کاربرد نادرست ندارد. لطفاً این راهنما را پس از نصب به مشتری بدهید.

در این دفترچه دستورالعمل نحوه صحیح کار با محصول و احتیاط های مهم برای جلوگیری از وقوع سانحه ذکر شده است. شما موظف هستید تمام دستورالعمل های این دفترچه دستورالعمل را بخوانید، آن را کاملاً درک کنید و دستورالعمل های آن را رعایت کنید. عدم انجام چنین کاری ممکن است سبب آسیب جدی شخصی یا خسارت به اموال شود، و همچنین ضمانت نامه را باطل کند. این راهنما را برای مراجعات بعدی نگه دارید.

در ساخت محصولات Sony ایمنی حرف اول را می زند. اگر به نحو نادرستی از محصول استفاده شود، ممکن است باعث آتش سوزی، یا برق گرفتگی، واژگون شدن، یا سقوط دستگاه شود و در نتیجه باعث بروز صدمات و آسیب های جدی شود. حتماً احتیاط های ایمنی را رعایت کنید تا از چنین سوانحی جلوگیری شود.

احتیاط

محصولات خاص

این پایه نصب دیواری به گونه ای طراحی شده است که برای استفاده با تلویزیون ها یا مانیتورهای LCD مخصوص این دستگاه مناسب است. برای تلویزیون ها یا مانیتورهای LCD، به راهنمای مرجع مراجعه کنید تا ببینید می توان از پایه نصب دیواری استفاده کرد یا نه.

مربوط به مشتری

هشدار

اگر از موارد احتیاط عنوان شده در زیر تبعیت نکنید، ممکن است جراحت های شدید، مرگ در اثر آتش سوزی یا برق گرفتگی ایجاد شده یا اینکه دستگاه بیفتد.

حتماً نصب را به نمایندگی های مجاز بسپارید و هنگام نصب بچه ها را از محل دور کنید.

- اگر پایه نصب دیواری یا تلویزیون یا مانیتور LCD درست نصب نشود، موارد زیر ممکن است رخ دهد. حتماً نصب را به مأمورین مجاز محول کنید.
- ممکن است تلویزیون یا مانیتور LCD بیفتد و باعث جراحت شدید از جمله کودکی یا شکستگی شود.
- اگر دیواری که پایه نصب دیواری را روی آن نصب می کنید سست، یا ناصاف باشد، یا عمود بر کف ساختمان نباشد، ممکن است دستگاه سقوط کند و باعث آسیب یا صدمه شود. دیوار باید حداقل تحمل چهار برابر وزن تلویزیون یا مانیتور LCD را داشته باشد.
- برای اطلاع از وزن تلویزیون یا مانیتور LCD، به راهنمای مرجع آن مراجعه کنید.
- اگر پایه نصب دیواری روی دیوار محکم نصب نشود، ممکن است دستگاه بیفتد و باعث آسیب یا صدمه مالی شود.

انتقال و پیاده کردن تلویزیون یا مانیتور LCD را حتماً به مأمورین مجاز محول کنید.

اگر اشخاصی غیر از مأمورین مجاز تلویزیون یا مانیتور LCD را منتقل یا پیاده کنند، ممکن است دستگاه بیفتد و باعث جراحت یا زیان مالی شود. برای حمل تلویزیون یا مانیتور LCD بزرگ به دو یا چند نفر نیاز است (سه نفر یا بیشتر برای تلویزیون یا مانیتور LCD 189.3 سانتی متری (75 اینچی) و بزرگتر) (غیر از مصر). برای حمل تلویزیون یا مانیتور LCD بزرگ به دو یا چند نفر نیاز است (سه نفر یا بیشتر برای تلویزیون یا مانیتور LCD 75 اینچی (189.3 سانتی متری) و بزرگتر) (فقط مصر).

پس از نصب تلویزیون یا مانیتور LCD، پیچ یا بقیه قسمتها را باز نکنید.

در این صورت ممکن است تلویزیون یا مانیتور LCD بیفتد و باعث جراحت یا زیان مالی شود.

از ایجاد تغییرات در قسمت های مختلف پایه نصب دیواری خودداری کنید.

اگر این کار را انجام دهید، ممکن است پایه نصب دیواری بیفتد و باعث آسیب جانی یا مالی شود.

تجهیزاتی غیر از موارد تعیین شده را نصب نکنید.

این پایه نصب دیواری فقط برای استفاده با محصول تعیین شده طراحی شده است. اگر تجهیزات غیر از موارد تعیین شده را نصب کنید، ممکن است تجهیزات بیفتد، بشکند و باعث آسیب جانی و مالی شود.

غیر از تلویزیون یا مانیتور LCD وسیله اضافه دیگری را روی پایه نصب دیواری نگذارید.

تلویزیون یا مانیتور LCD را به چپ/راست، بالا/پایین تکان ندهید.

در این صورت ممکن است تلویزیون یا مانیتور LCD بیفتد و باعث جراحت یا زیان مالی شود.

به تلویزیون یا مانیتور LCD تکیه ندهید یا از آن آویزان نشوید.

به تلویزیون یا مانیتور LCD تکیه ندهید یا از آن آویزان نشوید چون ممکن است روی شما بیفتد و باعث جراحت شدید شود.

احتیاط

اگر احتیاط های زیر را انجام ندهید، ممکن است آسیب های جانی یا مالی بوجود آید.

- حتماً قطعات بدون استفاده را در یک مکان امن برای استفاده آتی نگهداری کنید.
- آن ها را دور از دسترس کودکان نگهداری کنید.

هنگام نگهداری یا تمیز کردن دستگاه، به دستگاه فشار وارد نیاورید.

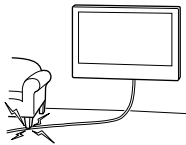
به سطح فوقانی تلویزیون یا مانیتور LCD فشار وارد نیاورید. در این صورت ممکن است تلویزیون یا مانیتور LCD بیفتد و باعث جراحت یا زیان مالی شود.

پیش گیری ها

- اگر تلویزیون یا مانیتور LCD برای مدت زیادی است که روی پایه نصب دیواری نصب است، بسته به مصالح دیوار، ممکن است رنگ دیوار پشت یا بالای تلویزیون یا مانیتور LCD از بین برود یا کاغذ دیواری آن قسمت جدا شود.
- اگر پس از نصب، پایه نصب دیواری از دیوار جدا شود، جای پیچها روی دیوار می ماند.
- از به کار بردن پایه نصب دیواری در مکانی که لرزش های مکانیکی در آن وجود دارد، خودداری کنید.

از وارد شدن فشار به سیم برق AC یا کابل رابط جلوگیری کنید.

اگر سیم یا برق AC یا کابل رابط بین دیوار و دستگاه گیر کند و به آن فشار وارد شود یا خم شده و بیج بخورد، ممکن است روکش آن پاره شود و باعث ایجاد مدار کوتاه یا قطع یا برق شود. این حالت ممکن است باعث آتش سوزی یا برق گرفتگی شود.



پیچهایی که برای محکم کردن پایه نصب دیواری به دیوار است، عرضه نشده است.

هنگام نصب پایه نصب دیواری، از پیچهایی استفاده کنید که مناسب مصالح و ساختار دیوار است.

حتماً از پیچهای ارائه شده و
قطعات اتصال به درستی و مطابق با
دستورالعملهای مندرج در دفترچه
دستورالعمل استفاده کنید. در صورت
استفاده از اقلام جایگزین، ممکن
است تلویزیون یا مانیتور LCD بیفتد
و باعث جراحت شخصی یا صدمه به
تلویزیون یا مانیتور LCD شود.

حتماً پایه را به درستی و مطابق با مراحل توصیه شده در این دفترچه دستورالعمل نصب کنید.

اگر هر یک از پیچها شل یا باز شوند، ممکن است تلویزیون یا مانیتور LCD بیفتد و باعث جراحت شخصی یا صدمه به تلویزیون یا مانیتور LCD شود.

حتماً پیچها را در مکانهای تعبیه شده محکم کنید.

اگر این کار را انجام ندهید، ممکن است تلویزیون یا مانیتور LCD بیفتد و باعث جراحت شخصی یا صدمه به تلویزیون یا مانیتور LCD شود.

هنگام نصب از تکان دادن شدید تلویزیون یا مانیتور LCD خودداری کنید.

تکانهای شدید به تلویزیون یا مانیتور LCD ممکن است منجر به افتادن یا شکستن آن شود. و نهایتاً باعث آسیب دیدگی گردد.

تلویزیون یا مانیتور LCD را حتماً روی یک دیوار صاف و عمود نصب کنید.

در غیر این صورت ممکن است تلویزیون یا مانیتور LCD بیفتد و باعث جراحت شود.

پس از نصب درست تلویزیون یا مانیتور LCD، کابلها را به خوبی محکم کنید.

اگر شخص یا شیئی به کابلها گیر کند، ممکن است منجر به جراحت یا صدمه به تلویزیون یا مانیتور LCD شود.

نصب پایه نصب دیواری

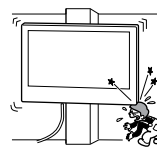
سخنرانی به فروشندگان Sony

هشدار

دستورالعملهای زیر فقط مخصوص فروشندگان محصولات Sony است. حتماً احتیاطهای ایمنی فوق الذکر را مطالعه کنید و هنگام نصب، نگهداری و بررسی محصول به نکات ایمنی توجه لازم را مبذول دارید.

پایه نصب دیواری را در جایی از دیوار وصل نکنید که گوشه ها یا کناره های تلویزیون یا مانیتور LCD از دیوار دیوار پیش تر باشد.

پایه نصب دیواری را روی سطوحی مانند ستون وصل نکنید که گوشه ها یا کناره های تلویزیون یا مانیتور LCD از دیوار دیوار پیش تر باشد. اگر بطور اتفاقی شخص یا شیئی به لبه های پیش آمده تلویزیون یا مانیتور LCD برخورد کند، ممکن است باعث جراحت یا زیان مالی شود.

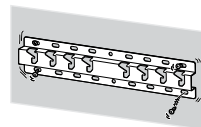


تلویزیون یا مانیتور LCD را در بالا یا پایین تهویه هوا نصب نکنید.

اگر تلویزیون یا مانیتور LCD برای مدت طولانی در معرض نشی آب یا جریان هوای تهویه قرار گیرد، ممکن است آتش سوزی، یا برق گرفتگی رخ دهد و یا باعث شود تلویزیون یا مانیتور LCD خوب کار نکند.

حتماً پایه نصب دیواری را محکم به دیوار نصب کنید و دستورالعملهای نصب این دفترچه دستورالعمل را رعایت نمایید.

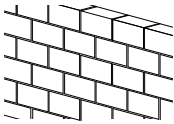
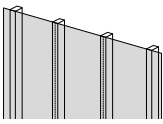
اگر هر یک از پیچها شل یا باز شده باشد، ممکن است پایه نصب دیواری بیفتد و باعث آسیب جانی یا مالی شود. حتماً از پیچهای مناسب مصالح دیوار استفاده کنید و با استفاده از چهار پیچ یا بیشتر با ضخامت 8 میلی متر (یا مساوی آن) دستگاه را محکم نصب کنید.



- تصاویر تلویزیون یا مانیتور LCD مندرج در این راهنما، نمونه‌هایی برای توضیح شفاف عملکردها هستند. به همین دلیل، این تصاویر ممکن است با تلویزیون یا مانیتور LCD واقعی شما متفاوت باشند.


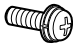

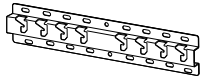
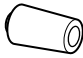



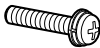
دیوار شما از چه ساخته شده است؟

ابتدا، نوع دیوار را برای نصب تلویزیون یا مانیتور LCD بررسی کنید.

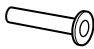




بتن جامد یا بلوک بتنی	دیوار خشک یا داربست
 <p>پیش‌گیری‌ها</p> <ul style="list-style-type: none">• پایه نصب دیواری را مستقیماً بر روی دیوار بتنی مستحکم سوار کنید.• مطمئن شوید که ضخامت دیوار بتنی مستحکم حداقل 203 میلی‌متر باشد.• مطمئن شوید که سایز هر بلوک بتنی حداقل 203 میلی‌متر × 203 میلی‌متر × 406 میلی‌متر باشد.	 <p>پیش‌گیری‌ها</p> <ul style="list-style-type: none">• حداکثر ضخامت دیوار خشک: 16 میلی‌متر.• اطمینان حاصل کنید اندازه داربست چوبی داخلی حداقل 51 میلی‌متر × 102 میلی‌متر برای اندازه استاندارد و برای اندازه اسمی 38 میلی‌متر × 89 میلی‌متر باشد.

ارائه شده با SU-WL450

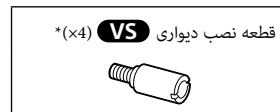
- بررسی کنید که همه قطعات در بسته بندی موجود باشد.

<p>درزگیر (20 میلی متر) (×2) E</p> 	<p>پیچ (+PSW 6 × 20) (×4) C</p> 	<p>قرقره (×2) B</p> 	<p>پایه (20) (×1) A</p> 
<p>درزگیر (60 میلی متر) (×2) K</p> 	<p>پیچ (+PSW 4 × 10) (×8) J</p> 	<p>آداپتور پایه (×2) I</p> 	<p>تسمه (×1) F</p> 
			<p>پیچ (+PSW 6 × 50) (×2) L</p> 

- از این قطعات نمیتوان برای مدل محصول شما استفاده کرد.

<p>بوش (M4) (×2) M</p> 	<p>پیچ (+PSW 4 × 20) (×2) H</p> 	<p>بوش (M4) (20) (×2) G</p> 	<p>پیچ (+PSW 4 × 20) با بوش (×2) D</p> 
			<p>پیچ (+PSW 4 × 50) (×2) N</p> 

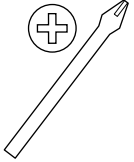
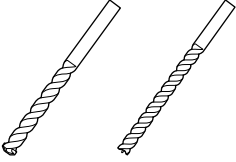


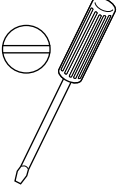
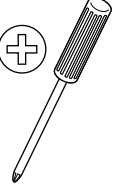
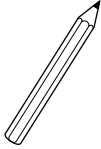
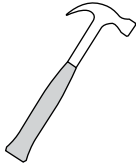



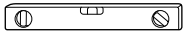
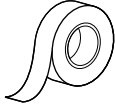
عرضه شده همراه با تلویزیون یا مانیتور LCD



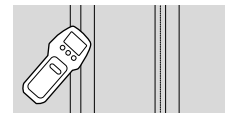
* فقط برای بعضی مناطق/کشورها/مدلها.

آماده سازی برای نصب

- قبل از نصب، راهنمای مرجع و راهنمای نصب تلویزیون یا مانیتور LCD را کنار دستتان داشته باشید.
- محل نصب تلویزیون یا مانیتور LCD خود را تعیین کنید.
- چهار یا تعداد بیشتری پیچ 8 میلی متری و یک پیچ 5 میلی متری یا موارد مشابه (همراه با دستگاه ارائه نشده است) را آماده کنید. پیچ هایی را انتخاب کنید که با مواد سازنده دیوار تناسب داشته باشند.
- ابزارهای زیر را آماده کنید:

	 <p>10 میلی متر 5.5 میلی متر</p>		 <p>1*</p>
 <p>3*</p> <p>1.5 نیوتن متر {15 کیلوگرم نیرو سانتی متر}</p>	 <p>1.5 نیوتن متر {15 کیلوگرم نیرو سانتی متر}</p>		 <p>2*</p>
 <p>5 میلی متر</p>	 <p>(x4) 8 میلی متر × 60 میلی متر</p>	 <p>(x4)</p>	 <p>2*</p>
			 <p>4*</p>

1* فقط برای دیوار خشک با داربست



2* فقط برای بتن مستحکم یا بلوک بتنی

3* بسته به مدل ها

4* فقط برای تلویزیون یا مانیتور LCD 189.3 سانتی متری (75 اینچی) و بزرگتر (غیر از مصر)

فقط برای تلویزیون یا مانیتور LCD 75 اینچی (189.3 سانتی متری) و بزرگتر (فقط مصر)

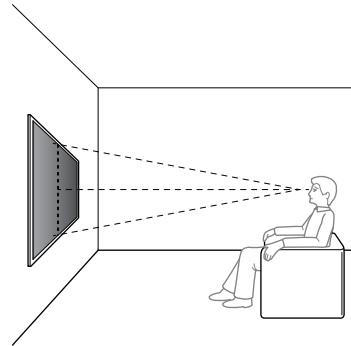
نصب پایه نصب دیواری به دیوار

1 در مورد محل نصب تصمیم بگیرید.

اطمینان یابید که دیوار فضای کافی برای تلویزیون یا مانیتور LCD داشته باشد و قابلیت پشتیبانی از وزن حداقل چهار برابر تلویزیون یا مانیتور LCD را دارا باشد.
به راهنمای مرجع تلویزیون یا مانیتور LCD برای اطلاع یافتن از وزن تلویزیون یا مانیتور LCD مراجعه کنید.

نکته

- وقتی تلویزیون یا مانیتور LCD شما روی دیوار نصب شد، قسمت بالایی تلویزیون یا مانیتور LCD کمی رو به جلو قرار می گیرد.
- توصیه می کنیم موقعیت تلویزیون یا مانیتور LCD را از فضای مشاهده مورد بررسی قرار دهید.



2 شیوه نصب دیواری را مطابق تصویر زیر انتخاب کنید.

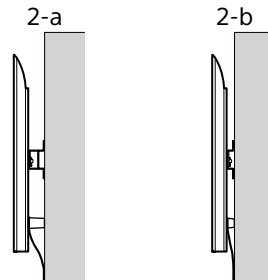
2-a: نصب استاندارد

2-b: نصب باریک

- به "اندازه‌ها برای نصب پایه نصب دیواری به دیوار" در صفحه 18 مراجعه کنید.

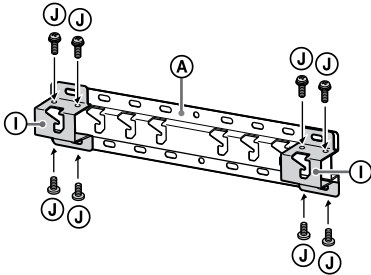
هشدار

- در صورت استفاده از روش 2-b، دسترس ی به پایانه پشتی دستگا ه محدود می باشد.



3 در صورت انتخاب نصب استاندارد (2-a):

- آداپتور پایه ① را با استفاده از پیچ (10 × 4 PSW+) ② به پایه (20) ③ وصل کنید.
- به "محل وصل کردن آداپتور پایه ①" در صفحه 19 مراجعه کنید.



مثال: وصل کردن آداپتور پایه ① در محل "a"

3 در صورت انتخاب نصب باریک (2-b):

از این مرحله عبور کنید.

4 موقعیت پیچ ها را جهت نصب پایه (20) ③ مشخص کنید.

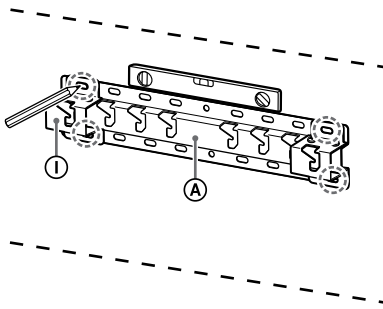
- به "مشخصات فنی" در صفحه 17 مراجعه کنید.

هشدار

- استحکام دیواری را که تلویزیون یا مانیتور LCD روی آن نصب می شود، تعیین کنید. در صورت لزوم، استحکام دیوار را به میزان مناسب تقویت کنید.
- دیواری که تلویزیون یا مانیتور LCD را روی آن نصب می کنید، باید بتواند حداقل چهار برابر وزن تلویزیون یا مانیتور LCD را تحمل کند. (برای اطلاع از وزن تلویزیون یا مانیتور LCD، به راهنمای مرجع آن مراجعه کنید.)

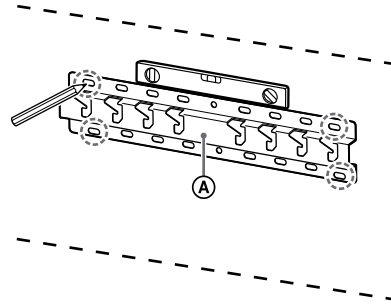
3 در صورت انتخاب نصب استاندارد (2-a):

از سوراخ‌های آداپتور پایه ① استفاده کنید.



مثال: علامت گذاری در محل "a" برای نصب پایه (20) ③

در صورت انتخاب نصب باریک (2-b):



مثال: علامت‌گذاری در محل "a" برای نصب پایه (20) A

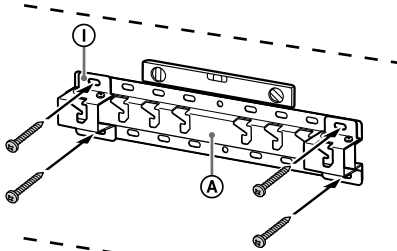
6 با استفاده از پیچ‌های مناسب (داده نشده است)، پایه (20) A را روی دیوار نصب کنید.

نکته

- از چهار پیچ یا پیچ‌های بیشتری به قطر 8 میلی‌متر یا معادل آن استفاده کنید (ارائه نشده است).
- برای کنترل اینکه پایه (20) A تراز است، از یک ابزار تراز استفاده کنید.

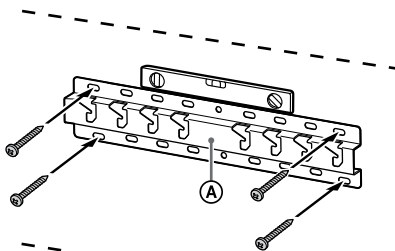
در صورت انتخاب نصب استاندارد (2-a):

با استفاده از 4 پیچ سوراخ‌های آداپتور پایه 1 را به پایه (20) A متصل کنید.



مثال: نصب پایه (20) A در محل "a"

در صورت انتخاب نصب باریک (2-b):



مثال: نصب پایه (20) A در محل "a"

7 فقط / KD-85X8xL / 85X8xBL / 75X8xL / 75X8xBL, KM-85X8xL / 75X8xL, XR-85X9xL / 75X9xL, XRM-85X9xL / 75X9xL

محل نصب را روی دیوار علامت بزنید.

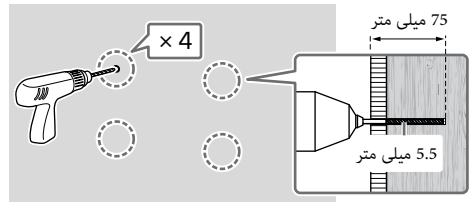
از نوارچسب کاغذی و امثال آن (در بسته ارائه نشده است) برای علامت زدن محل تلویزیون یا مانیتور LCD در نزدیک پایه (20) A یا آداپتور پایه 1 استفاده کنید.

- به "علامت‌گذاری روی دیوار برای محل نصب تلویزیون یا مانیتور LCD" در صفحه 20 مراجعه کنید.

5

سوراخ‌های تنظیمی را روی علامت‌ها دریل کنید. اطمینان یابید که محلی از دیوار که سوراخ‌ها زده می‌شود قدرت کافی برای تحمل وزن حداقل چهار برابر تلویزیون یا مانیتور LCD را دارا باشد.

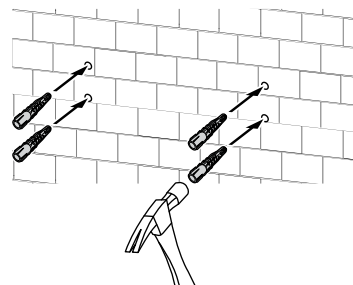
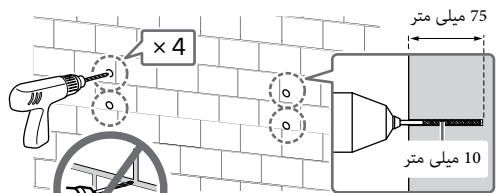
دریل کردن دیوار خشک با داریست:



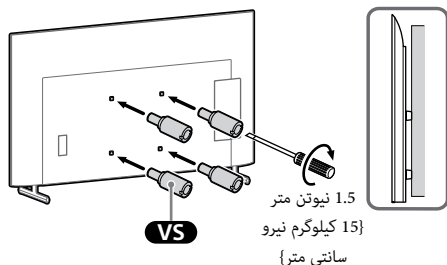
نکته

- سوراخ‌های تنظیمی باید با عمق 75 میلی‌متری و با استفاده از یک مته با قطر 5.5 میلی‌متری ایجاد شوند.

دریل کردن بتن جامد یا بلوک بتنی:



3 قطعه نصب دیواری **VS** (که به همراه تلویزیون یا مانیتور LCD عرضه می‌شود) را به پشت تلویزیون یا مانیتور LCD وصل کنید (تا با دیوار مماس شود).



نکته

- حتماً قطعه نصب دیواری **VS** را هنگام وصل کردن به تلویزیون یا مانیتور LCD محکم کنید.
- فقط از آچار سر صاف برای نصب قطعه نصب دیواری **VS** استفاده کنید.
- اگر از ابزار دیگری استفاده کنید، ممکن است قطعه نصب دیواری **VS** زیاد بچرخد و به تلویزیون یا مانیتور LCD آسیب وارد کند.

4 بخش‌های اتصال مربوط به پایه نصب دیواری را وصل کنید. با مراجعه به "ارائه شده با SU-WL450" در "بررسی قطعات" در صفحه 6، قطعات اتصال را بررسی کنید.

نکته

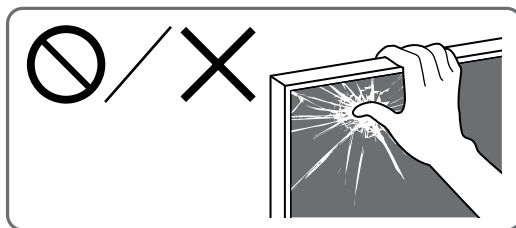
- قطعات اتصال را با استفاده از پیچ، در جای خود کاملاً محکم کنید.
- اگر از آچار برقی استفاده می‌کنید، تنظیم گشتاور (میزان چرخش) را روی مقدار تقریبی 1.5 نیوتون متر {15 کیلوگرم نیرو سانتی متر} تنظیم کنید.

بجز / KD-85X8xL / 85X8xBL / 75X8xL / 75X8xBL, KM-85X8xL / 75X8xL, XR-85X9xL / 75X9xL, XRM-85X9xL / 75X9xL
از این مرحله عبور کنید.

آماده سازی برای نصب تلویزیون یا مانیتور LCD

نکته

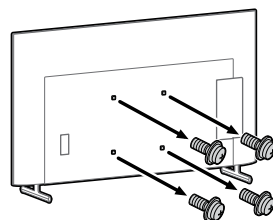
- حتماً پیچ‌های باز شده و قطعات بلااستفاده را در مکانی امن و دور از دسترس کودکان قرار دهید.



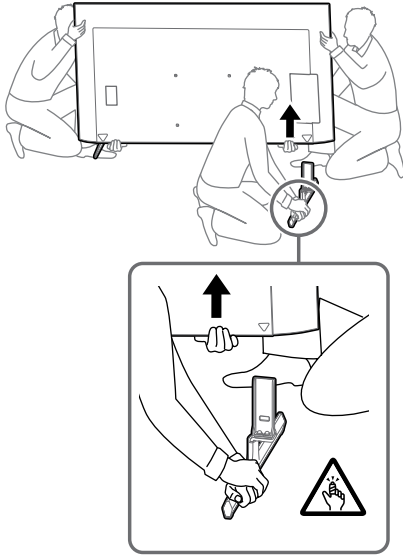
1 برای اینکه تلویزیون یا مانیتور LCD در جای خود بایستد، پایه رومیزی را وصل کنید.

- به راهنمای نصب تلویزیون یا مانیتور LCD خود مراجعه کنید.

2 پیچ‌ها را از پشت تلویزیون یا مانیتور LCD بیورید.



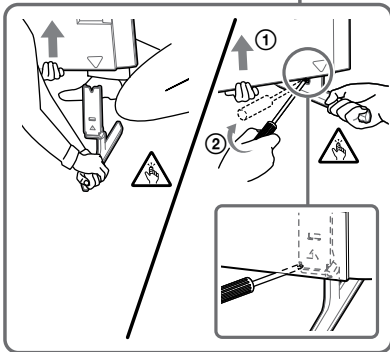
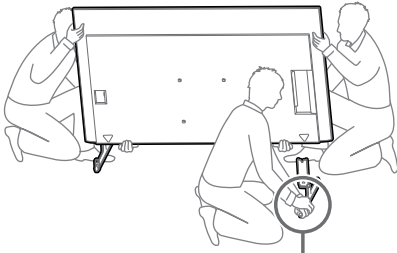
در صورت انتخاب نصب استاندارد (2-a):



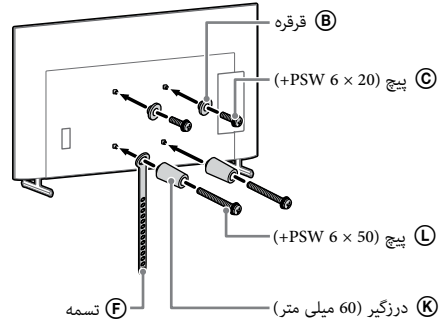
- مرحله قبل را تکرار کنید و طرف دیگر پایه رومیزی را بردارید.

فقط، KD-75X85L / 65X85L / 65X85BL / 55X85L،
KM-75X85L / 65X85L / 55X85L

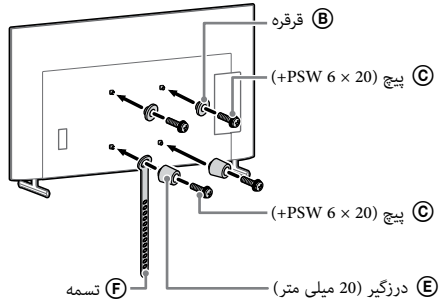
- هر بار یک طرف از پایه رومیزی را بردارید. در حالی که افراد دیگری تلویزیون یا مانیتور LCD را بلند کرده اند، پایه رومیزی را با هر دو دست محکم نگه دارید.



- مرحله قبل را تکرار کنید و طرف دیگر پایه رومیزی را بردارید.



در صورت انتخاب نصب باریک (2-b):



5 کابل های مورد نیاز را به تلویزیون یا مانیتور LCD

متصل کنید.

- کابل ها را حتماً قبل از نصب تلویزیون یا مانیتور LCD روی دیوار وصل کنید. پس از نصب تلویزیون یا مانیتور LCD نمی توانید کابل ها را وصل کنید.

نکته

- رد کردن کابل در داخل دیوار را به مأمورین مجاز محول کنید.
- قبل از نصب روی دیوار، کابلهای رابط را جمع کنید تا روی آنها پا گذاشته نشود.

6 پایه رومیزی را از تلویزیون یا مانیتور LCD جدا کنید.

تصویر زیر نمونه ای از این عملیات است.

بجز، KD-75X85L / 65X85L / 65X85BL / 55X85L،
KM-75X85L / 65X85L / 55X85L، XR-85X90L / 75X90L /
65X90L / 55X90L، XRM-85X90L / 75X90L / 65X90L /
55X90L

- هر بار یک طرف از پایه رومیزی را بردارید. در حالی که افراد دیگری تلویزیون یا مانیتور LCD را بلند کرده اند، پایه رومیزی را با هر دو دست محکم نگه دارید.

نصب تلویزیون یا مانیتور LCD روی دیوار

فقط KD-85X8xL / 85X8xBL / 75X8xL / 75X8xBL,

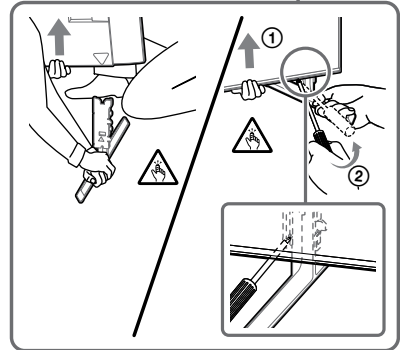
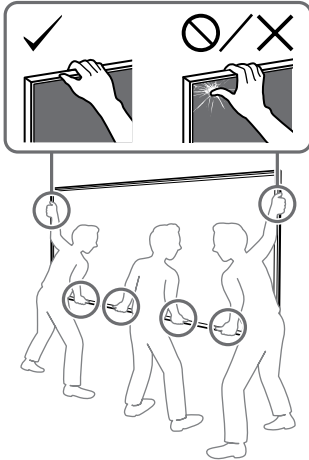
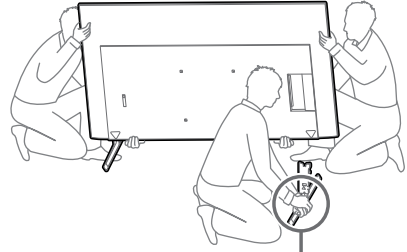
KM-85X8xL / 75X8xL, XR-85X9xL / 75X9xL,

XR-85X9xL / 75X9xL

هشدار

- برای حمل تلویزیون یا مانیتور LCD بزرگ به دو یا چند نفر نیاز است (سه نفر یا بیشتر برای تلویزیون یا مانیتور LCD 189.3 سانتی متری (75 اینچی) و بزرگتر) (غیر از مصر). برای حمل تلویزیون یا مانیتور LCD بزرگ به دو یا چند نفر نیاز است (سه نفر یا بیشتر برای تلویزیون یا مانیتور LCD 189.3 سانتی متری) و بزرگتر) (فقط مصر).

- هر بار یک طرف از پایه رومیزی را بردارید. در حالی که افراد دیگری تلویزیون یا مانیتور LCD را بلند کرده اند، پایه رومیزی را با هر دو دست محکم نگه دارید.



- مرحله قبل را تکرار کنید و طرف دیگر پایه رومیزی را بردارید.

نکته

- برای جدا کردن پایه رومیزی، سه نفر یا بیشتر لازم است.
- مواظب باشید که در هنگام جدا کردن پایه رومیزی از تلویزیون یا مانیتور LCD، از نیروی بیش از اندازه استفاده نکنید چون این کار ممکن است باعث افتادن تلویزیون یا مانیتور LCD شود که آن هم ممکن است منجر به جراحت فردی یا آسیب فیزیکی به تلویزیون یا مانیتور LCD شود.
- در هنگام کار با پایه رومیزی مواظب باشید تا به تلویزیون یا مانیتور LCD آسیب وارد نکنید.
- هنگام بلند کردن تلویزیون یا مانیتور LCD مراقب باشید زیرا پایه رومیزی در هنگام جدا شدن ممکن است واژگون شود و به افراد آسیب برساند.
- هنگام جدا کردن پایه رومیزی از تلویزیون یا مانیتور LCD دقت کنید که مانع افتادن آن و آسیب رساندن به سطحی که تلویزیون یا مانیتور LCD روی آن قرار دارد شوید.

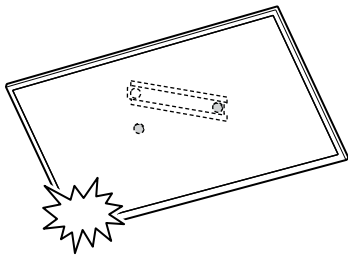
1 تلویزیون یا مانیتور LCD را بلند کنید.

- برای مشاهده محل قرقره‌ها (B) به منظور آویزان کردن از پایه (20) (A) یا آداپتور پایه (1)، به "محل وصل کردن آداپتور پایه (1)" در صفحه 19 مراجعه کنید.
- دقت کنید که در زمان نگه داشتن تلویزیون یا مانیتور LCD، قسمت پشت تلویزیون یا مانیتور LCD با پایه (20) (A) یا آداپتور پایه (1) تماس پیدا کند.

نکته

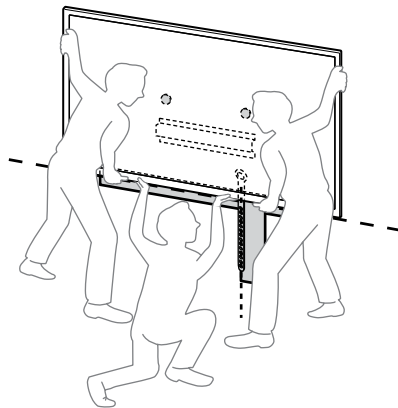
- تلویزیون یا مانیتور LCD را محکم با هر دو دست نگه دارید و دقت کنید که تسمه (F) و پایین تلویزیون یا مانیتور LCD همراستا با نوار چسب کاغذی باشند.

- هر دو دست را آرام بردارید تا از نیفتادن تلویزیون یا مانیتور LCD اطمینان یابید.

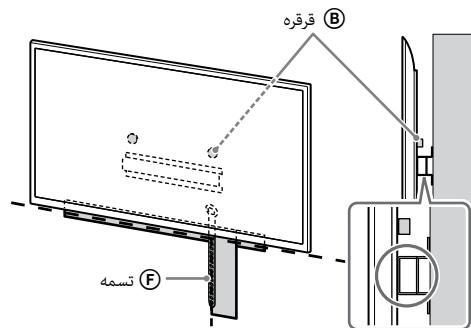


- پس از نصب تلویزیون یا مانیتور LCD روی دیوار، نوار چسب کاغذی و امثال آن را از روی دیوار بردارید.

- برای حمل تلویزیون یا مانیتور LCD از سه نفر استفاده کنید و فردی که جلوی تلویزیون یا مانیتور LCD است بقیه افراد را برای تنظیم موقعیت هدایت کند.



- در زمان نصب تلویزیون یا مانیتور LCD روی دیوار خیلی دقت کنید. این امر برای فردی که از زیر تلویزیون یا مانیتور LCD را گرفته است اهمیت ویژه‌ای دارد، زیرا امکان افتادن دستگاه تلویزیون یا مانیتور LCD و بروز صدمه جسمی شدید یا حتی مرگ وجود دارد.

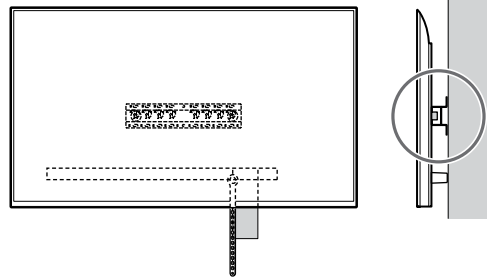
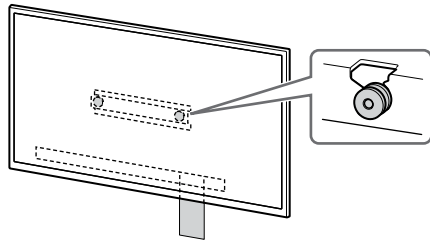
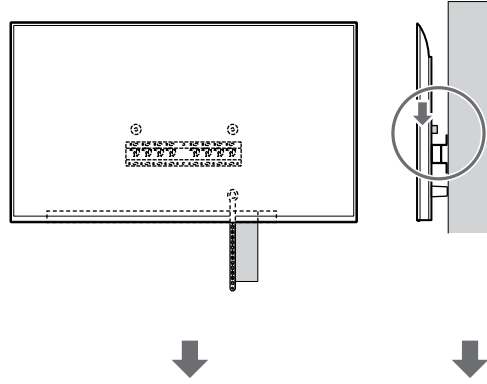
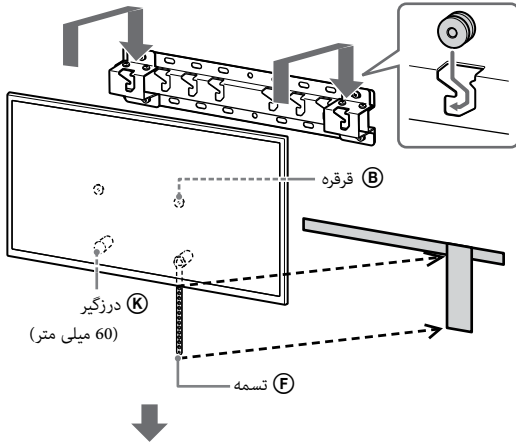


2 تلویزیون یا مانیتور LCD را روی پایه (20) A یا

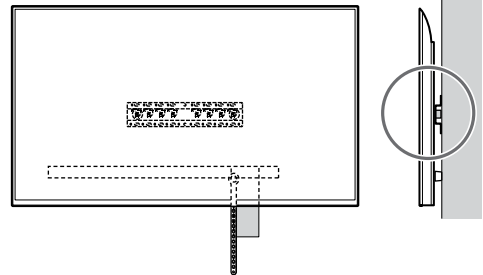
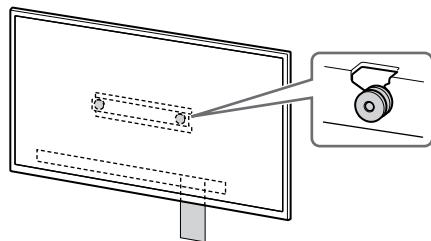
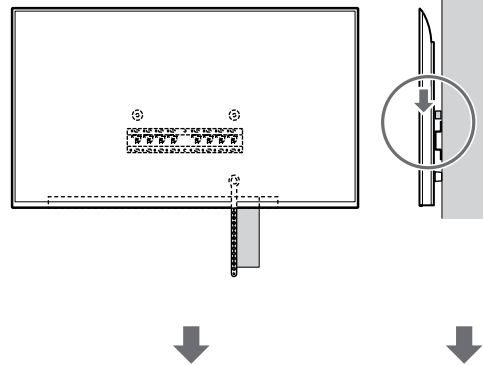
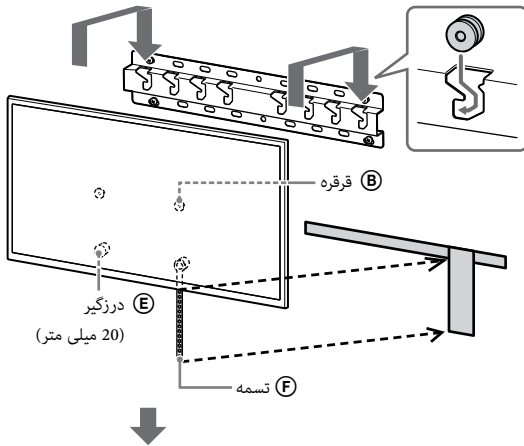
آداپتور پایه I نصب کنید.

- به آرامی تلویزیون یا مانیتور LCD را به پایین بلغزانید و قرقه‌های B متصل به پشت تلویزیون یا مانیتور LCD را به پایه (20) A یا آداپتور پایه I آویزان کنید، و حتماً شکل سوراخ‌ها را بررسی کنید.
- پس از نصب تلویزیون یا مانیتور LCD روی دیوار، مطمئن شوید که قرقه‌های B محکم درون پایه (20) A یا آداپتور پایه I قفل شده‌اند.

در صورت انتخاب نصب استاندارد (2-a):



در صورت انتخاب نصب باریک (2-b):

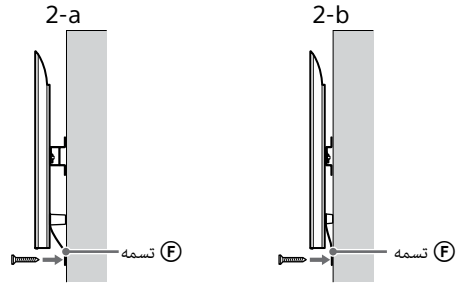


3

از کج شدن قسمت کف تلویزیون یا مانیتور LCD

جلوگیری کنید.

- گشادی تسمه (F) را بگیرید و آن را محکم به دیوار وصل کنید.



- از پیچی با قطر 5 میلی متر یا مورد مشابه (همراه با دستگاه ارائه نشده است) استفاده کنید.

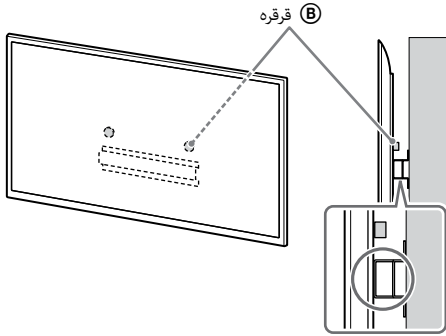
نکته

- سعی کنید پایین تلویزیون یا مانیتور LCD را کمی به سمت خود بکشید تا مطمئن شوید که به جلو حرکت نمی کند. وجود هرگونه حرکت نشانگر این است که درست جا نیفتاده و تسمه (F) را باید دوباره محکم کنید.

1

تلویزیون یا مانیتور LCD را بلند کنید.

- برای مشاهده محل قرقره‌ها (B) به منظور آویزان کردن از پایه (20) (A) یا آداپتور پایه (I)، به "محل وصل کردن آداپتور پایه (I)" در صفحه 19 مراجعه کنید.
- دقت کنید که در زمان نگه داشتن تلویزیون یا مانیتور LCD، قسمت پشت تلویزیون یا مانیتور LCD با پایه (20) (A) یا آداپتور پایه (I) تماس پیدا کند.



نکته

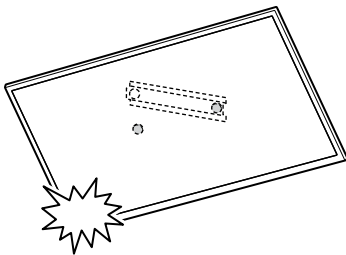
- تلویزیون یا مانیتور LCD را با هر دو دست محکم نگه دارید.

2

تلویزیون یا مانیتور LCD را روی پایه (20) (A) یا

آداپتور پایه (I) نصب کنید.

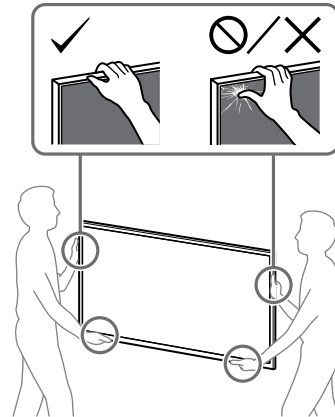
- به آرامی تلویزیون یا مانیتور LCD را به پایین بلغزانید و قرقره های (B) متصل به پشت تلویزیون یا مانیتور LCD را به پایه (20) (A) یا آداپتور پایه (I) آویزان کنید، و حتما شکل سوراخ ها را بررسی کنید.
- پس از نصب تلویزیون یا مانیتور LCD روی دیوار، مطمئن شوید که قرقره های (B) محکم درون پایه (20) (A) یا آداپتور پایه (I) قفل شده اند.
- هر دو دست را آرام بردارید تا از نیفتادن تلویزیون یا مانیتور LCD اطمینان یابید.



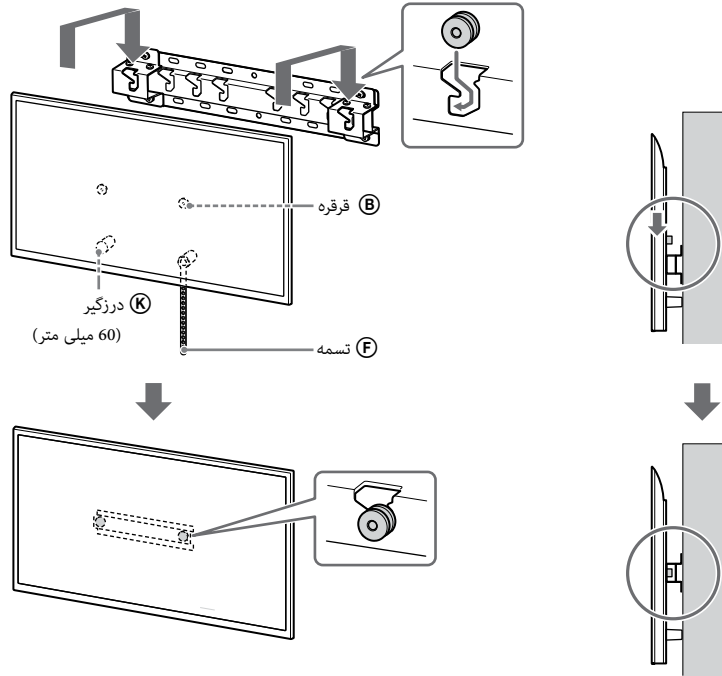
بجز KD-85X8xL / 85X8xBL / 75X8xL / 75X8xBL, KM-85X8xL / 75X8xL, XR-85X9xL / 75X9xL, XRM-85X9xL / 75X9xL

هشدار

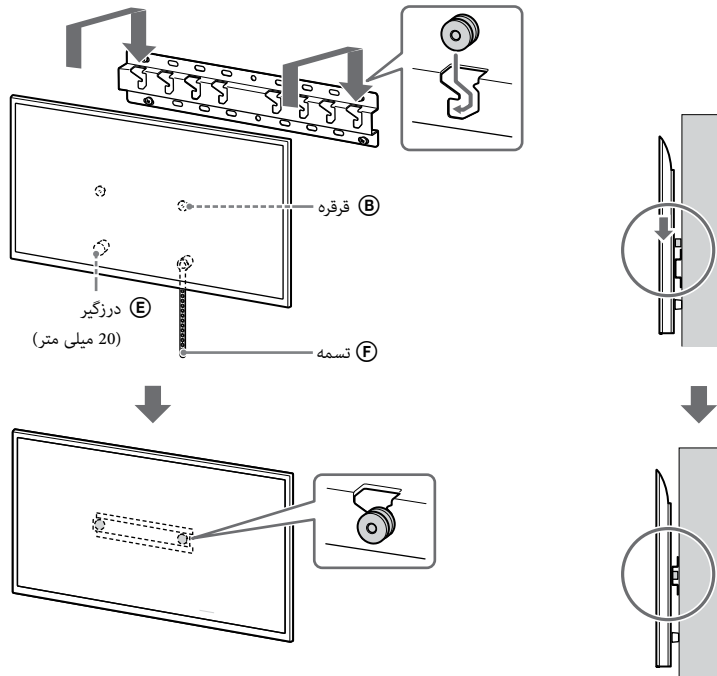
- برای حمل تلویزیون یا مانیتور LCD بزرگ به دو یا چند نفر نیاز است (سه نفر یا بیشتر برای تلویزیون یا مانیتور LCD 189.3 سانتی متری (75 اینچی) و بزرگتر) (غیر از مصر). برای حمل تلویزیون یا مانیتور LCD بزرگ به دو یا چند نفر نیاز است (سه نفر یا بیشتر برای تلویزیون یا مانیتور LCD 175 اینچی (189.3 سانتی متری) و بزرگتر) (فقط مصر).



در صورت انتخاب نصب استاندارد (2-a):



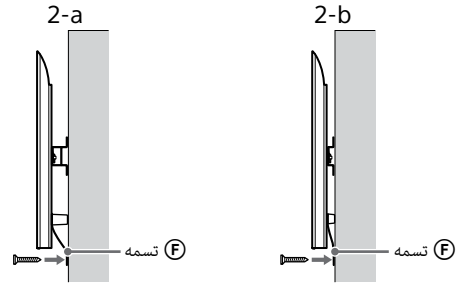
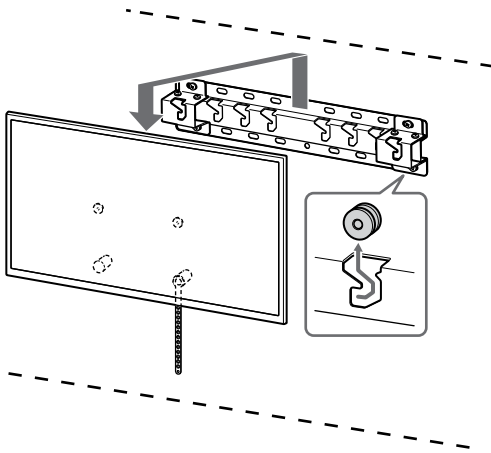
در صورت انتخاب نصب باریک (2-b):



3 از کج شدن قسمت کف تلویزیون یا مانیتور LCD جلوگیری کنید.

جلوگیری کنید.

- گشادی تسمه (F) را بگیرید و آن را محکم به دیوار وصل کنید.



- از پیچی با قطر 5 میلی متر یا مورد مشابه (همراه با دستگاه ارائه نشده است) استفاده کنید.

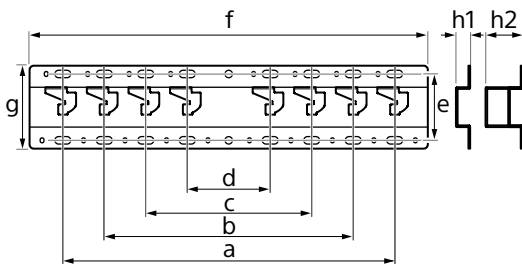
نکته

- سعی کنید پایین تلویزیون یا مانیتور LCD را کمی به سمت خود بکشید تا مطمئن شوید که به جلو حرکت نمی کند. وجود هرگونه حرکت نشانگر این است که درست جا نیفتاده و تسمه (F) را باید دوباره محکم کنید.

هشدار

- برای حمل تلویزیون یا مانیتور LCD بزرگ به دو یا چند نفر نیاز است (سه نفر یا بیشتر برای تلویزیون یا مانیتور LCD 189.3 سانتی متری (75 اینچی) و بزرگتر) (غیر از مصر). برای حمل تلویزیون یا مانیتور LCD بزرگ به دو یا چند نفر نیاز است (سه نفر یا بیشتر برای تلویزیون یا مانیتور LCD 75 اینچی (189.3 سانتی متری) و بزرگتر) (فقط مصر).

مشخصات فنی



ابعاد: (تقریباً) [میلی متر]

400	: a
300	: b
200	: c
100	: d
80	: e
480	: f
100	: g

h1 : 20 (برای نصب باریک، 2-b)

h2 : 60 (برای نصب استاندارد، 2-a)

وزن (فقط پایه): (تقریباً) [کیلوگرم]

0.8

طرح و مشخصات بدون اطلاع در معرض تغییر هستند.

بررسی تکمیل نصب

نکات زیر را بررسی کنید.

- قرفره‌های (B) به‌طور محکم به پایه (20) (A) یا آداپتور پایه (I) آویزان میشوند.
- سیم یا کابل پیچ نخورده یا گیر نکرده است.
- تسمه (F) بدون هیچ گونه لقی محکم است.

هشدار

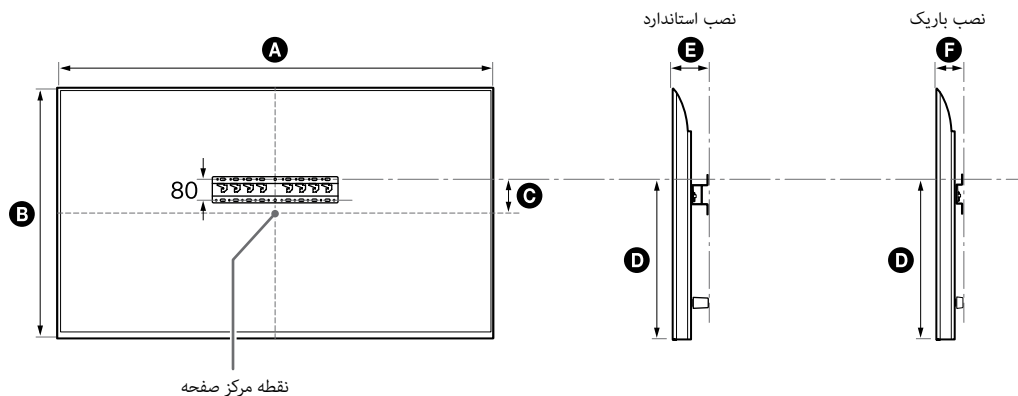
- جایگذاری نامناسب کابل اتصال و غیره، به دلیل ایجاد مدار کوتاه ممکن است باعث وقوع آتش سوزی یا برق گرفتگی شود. حتماً تکمیل نصب را از نظر ایمنی بررسی کنید.

اطلاعات دیگر

هنگام جابجا کردن تلویزیون یا مانیتور LCD، مراحل نصب قبلی را برعکس انجام دهید.

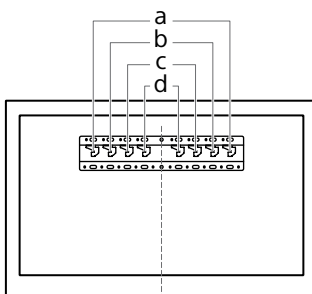
ارجاعات

اندازه‌ها برای نصب پایه نصب دیواری به دیوار
ارقام موجود در جدول ممکن است بسته به نصب کمی فرق داشته باشد.



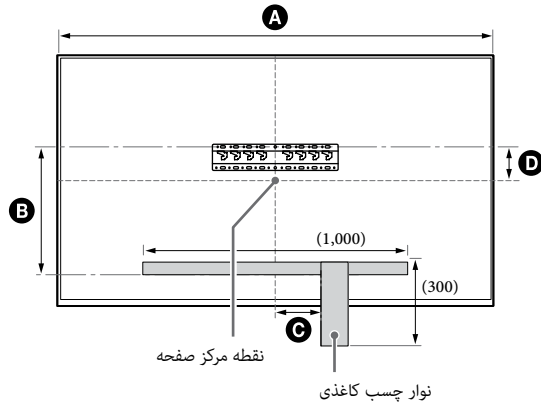
(میلی متر)

F	E	D	C	B	A	مدل نام
96	138	592	43	1,090	1,901	KD-85X81BL / 85X80L KM-85X80L
83	125	607	58	1,085	1,891	XR-85X90L XRM-85X90L
81	123	508	21	960	1,671	KD-75X85L KM-75X85L
95	137	493	12	962	1,675	KD-75X81BL / 75X80L KM-75X80L
81	123	508	21	959	1,668	XR-75X90L XRM-75X90L
81	123	505	85	832	1,447	KD-65X85L / 65X85BL KM-65X85L
93	135	494	76	836	1,452	KD-65X81BL / 65X80L KM-65X80L
81	123	505	85	831	1,445	XR-65X90L XRM-65X90L
81	122	505	146	709	1,228	KD-55X85L KM-55X85L
93	135	494	133	713	1,233	KD-55X81BL / 55X80L KM-55X80L
81	122	505	146	707	1,225	XR-55X90L XRM-55X90L
91	133	392	63	649	1,119	KD-50X80L KM-50X80L
91	133	392	111	563	964	KD-43X80L KM-43X80L



موقع الخطاف	مدل نام
b	KD-55X85L / 55X81BL / 55X80L
	KM-55X85L / 55X80L
	XR-55X90L
	XRM-55X90L
c	KD-50X80L
	KM-50X80L
c	KD-43X80L
	KM-43X80L

موقع الخطاف	مدل نام
a	KD-85X81BL / 85X80L
	KM-85X80L
	XR-85X90L
	XRM-85X90L
b	KD-75X85L / 75X81BL / 75X80L
	KM-75X85L / 75X80L
	XR-75X90L
	XRM-75X90L
b	KD-65X85L / 65X85BL / 65X81BL / 65X80L
	KM-65X85L / 65X80L
	XR-65X90L
	XRM-65X90L



(میلی متر)

مدل نام	A	B	C	D
KD-85X81BL / 85X80L KM-85X80L	1,901	472	200	43
XR-85X90L XRM-85X90L	1,891	486	200	58
KD-75X85L KM-75X85L	1,671	388	150	21
KD-75X81BL / 75X80L KM-75X80L	1,675	373	150	12
XR-75X90L XRM-75X90L	1,668	388	150	21