

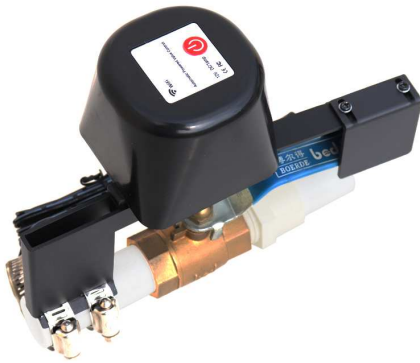
Flow Stop 2 user guide

Modified on: Thu, 25 Jun, 2020 at 12:48 AM

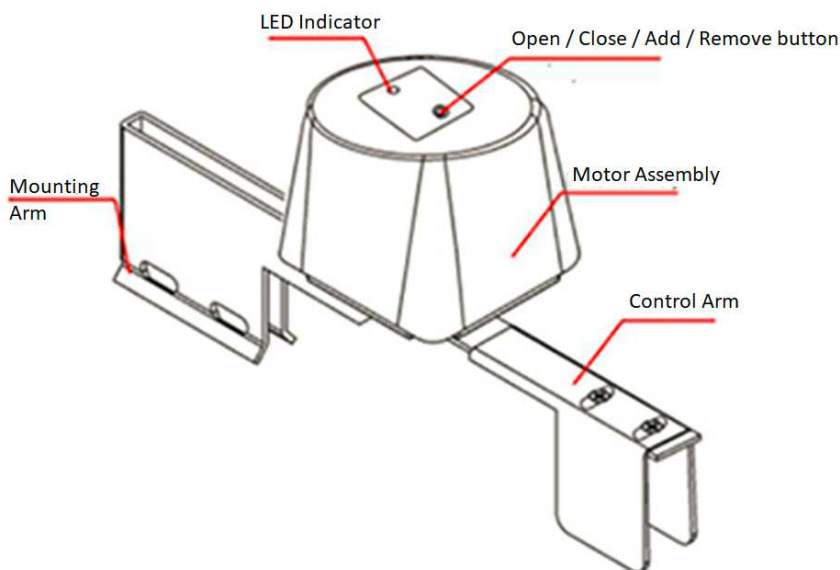
Popp Flow Stop 2.

Popp **Flow Stop** (<https://www.popp.eu/products/actuators/flow-stop/>) 2 was developed to close valves in case of alarm via Z-Wave. It is powered by Popp (<https://www.popp.eu/products/>) (<http://aeotec.com/z-wave-gen5>) technology.

Before purchasing make sure to contact your Z-Wave Gateway/Controller manufacturer to determine if this device is compatible, typically most Z-Wave gateways will be generically compatible to Switch type devices. The **technical specifications of Flow Stop** (<https://aeotec.freshdesk.com/a/solutions/articles/6000236767>) 2 can be viewed at that link.



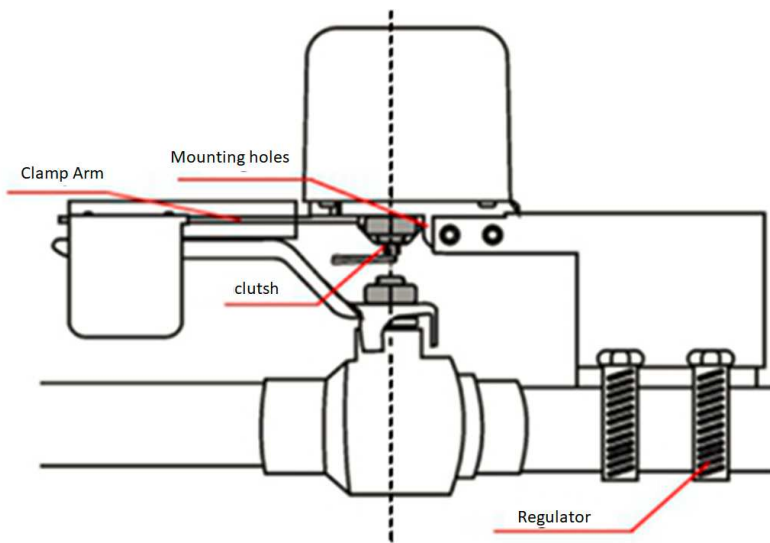
Familiarize yourself with your Flow Stop 2.



Quick start.

Getting your Flow Stop 2 up and running is a little bit more complex and will require you to have some knowledge before installation, you should not need to dismantle your existing installation of water or gas supply. The following instructions tell you how to add your Flow Stop 2 to your Z-Wave network using an existing gateway.

Use on pipelines



The main ball valve should be located in an easily accessible place where manual opening and closing is also possible. If the Flow Stop 2 shut-off motor is installed, it should have a minimum distance of 20mm to the Wall.

1. Mount the Popp Flow Stop 2 on the ball valve using the mounting bracket and the pipe clamps that surround the pipe and fix the motor to the connection hole.
2. Fix the mounting bracket using two M6*16 hexagonal screws along the guide rail at both ends of the bracket, but do not over tighten the screws.
3. Loosen the screws from the valve arm and position the valve lever to hiss the Veliarm guide. Tighten the screws.
4. Adjust the position of the shut-off motor so that it sits straight and parallel on the pipe and the coupling remains freely accessible for the output shaft. Then tighten two M6*16 hexagonal bolts with a 10# open-end or ring spanner (socket spanner recommended).

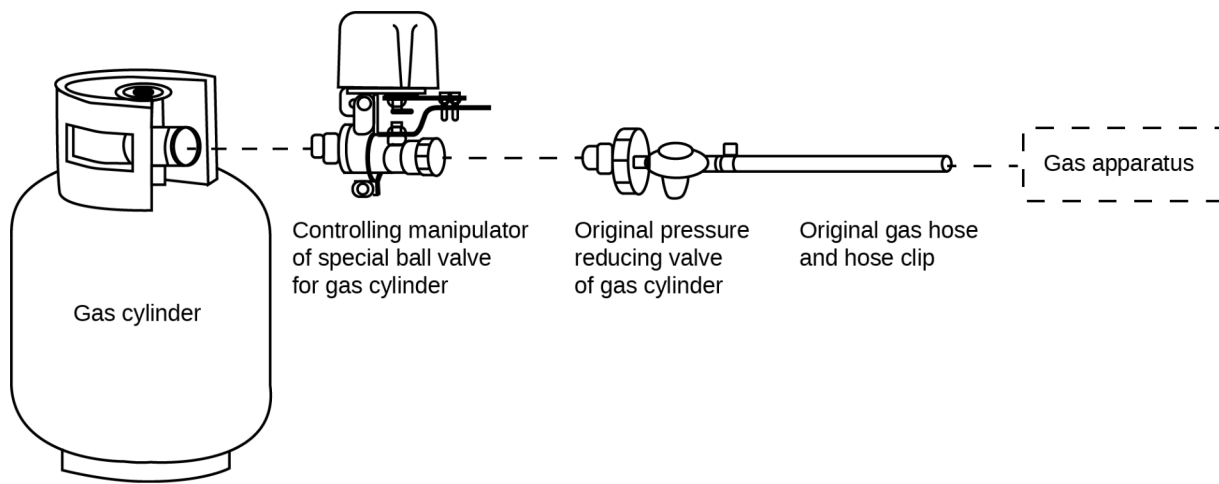
To integrate the unit into a Z-Wave network (include), press the red function button on the top of the motor housing three times. During inclusion/exclusion, the unit should be within a maximum distance of one meter from the control controller. Before an inclusion/exclusion process, the two screws must be loosened.

For bottled gas user

To connect bottled gas, the user uninstall the original pressure reducing valve and install the manipulator with the special ball valve for pipe between the original angle valve and pressure reducing valve, and then tighten it.

(Warning) There are 2 constraints to pay attention to:

1. Never move the rocker arm without disconnecting the clutch by pulling the ring on the lower side of the enclosure.
2. Make sure that the rotating axis of the flow stop is in line with the rotating axis of the valve



Z-Wave Installation using an existing gateway:

1. Place your gateway or controller into Z-Wave pair or inclusion mode. (Please refer to your controller/gateway manual on how to do this)
2. Press the red button 2x times within 1 second on Flow Stop 2. (Press 3x times within 1 second for secure inclusion).
3. Your gateway should confirm if Flow Stop 2 is successfully included into your network.

LED Indicator Status.

When unpaired: The LED of Secure Stop Flow will blink its LED.

When paired: The LED of Secure Stop Flow will follow the status of itself.

Product Usage.

Z-Wave Wireless Control.

This device will appear a simple ON or OFF switch in your Z-Wave hub/controller interface. Turning ON will OPEN the valve, while turning it OFF will CLOSE the valve.

Local Operation.

The red button that acts as an inclusion button will also act as an open/close for manual operation. Tapping this button will toggle OPEN/CLOSE.

Mechanical Overwrite.

This will allow you to open or close the value in the case of a power failure.

1. Disconnect the valve using the internal clutch by pulling the ring.
2. Keep the ring pulled while moving the handle.
 - Never move the handle without having the clutch disconnected, this can destroy the device at worst.
 - This will not work if there is power to Flow Stop 2.

Advanced functions.

Removing your Flow Stop 2 from a Z-Wave network.

Your Flow Stop 2 can be removed from your Z-Wave network at any time. You'll need to use a Z-Wave primary controller

to do this and the following instructions which will tell you how to do this using your existing Z-Wave Network.

This method can be used with any Primary Z-Wave Controller even if it is not directly paired to Flow Stop 2.

Using an existing gateway:

1. Place your gateway or controller into Z-Wave unpair or exclusion mode. (Please refer to your controller/gateway manual on how to do this)
2. Press the Red Button 3x times within 1 second on Flow Stop 2.
3. Your gateway should confirm if Flow Stop 2 is successfully excluded from your network.

Reset your Flow Stop

Use this procedure only when the network primary controller is missing or otherwise inoperable.

To reset the device keep the inclusion button pushed for 10 seconds.

Association Groups.

Group Association is a specific function in Z-Wave that allows you to tell Flow Stop 2 who it can speak to. Some devices may only have 1 group association meant for the gateway, or multiple group associations that can be used for specific events. This type of function isn't used too often, but when it is available, you may be able to use it to directly communicate to Z-Wave devices instead of controlling a scene within a gateway which can have unforeseen delays.

Some gateways have the ability to set Group Associations to devices that have these special events and functions.

Typically this is used to allow your gateway to update the status of Flow Stop 2 instantly.

By default, your primary gateway should have been associated to Flow Stop 2 automatically during the pairing of your Switch. For any case you have a Secondary Z-Wave Controller, you'll need to associate it to your Flow Stop 2 in order for your secondary controller to update its status.

Group Number	Maximum Nodes	Description
1	1	Lifeline

Other solutions

[Technical specifications of Flow Stop](https://aeotec.freshdesk.com/a/solutions/articles/6000219174-secure-flow-stop-technical-specifications-) (https://aeotec.freshdesk.com/a/solutions/articles/6000219174-secure-flow-stop-technical-specifications-) 2

[German user guide](https://manuals.zwave.eu/backend/make.php?lang=de&sku=pope701479&type=popp) (https://manuals.zwave.eu/backend/make.php?lang=de&sku=pope701479&type=popp)